

HOOD INFORMATION - JOB#5489849

HOOD NO	TAG	MODEL	MANUFACTURER	LENGTH	MAX COOKING TEMP	TYPE	APPLIANCE DUTY	DESIGN CFM/FT	TOTAL EXH CFM	EXHAUST PLENUM RISER(S)						TOTAL SUPPLY CFM	HOOD CONSTRUCTION	HOOD CONFIG		
										WIDTH	LENG	HEIGHT	DIA	CFM	VEL			SP	END TO END	ROW
1	HD1-Kettle	5424 EX-2	ECON-AIR	10' 8"	600 DEG	I	HEAVY	185	1973	10'	16'	4'		1973	1776	-0.976'	0	430 SS WHERE EXPOSED	ALONE	ALONE
2	HD2-Grill	5424 EX-2	ECON-AIR	11' 0"	600 DEG	I	HEAVY	200	2200	10'	19'	4'		2200	1667	-0.980'	0	430 SS WHERE EXPOSED	ALONE	ALONE
3	PSP-1	246 Misc ACPSP-DONLY	ECON-AIR	10' 8"	300 DEG	I	N/A	0	0								1790	430 SS WHERE EXPOSED	ALONE	ALONE
4	PSP-2	246 Misc ACPSP-DONLY	ECON-AIR	11' 0"	300 DEG	I	N/A	0	0								1850	430 SS WHERE EXPOSED	ALONE	ALONE
5	HD3-DISH	4224 ES-VHB-G	ECON-AIR	5' 0"	700 DEG	II	N/A	120	600	10'	10'	4'		600	864	-0.060'	0	430 SS 100%	ALONE	ALONE

HOOD INFORMATION

HOOD NO	TAG	FILTER(S)				LIGHT(S)				UTILITY CABINET(S)					FIRE SYSTEM PIPING	HOOD HANGING WEIGHT		
		TYPE	QTY	HEIGHT	LENGTH	EFFICIENCY @ 7 MICRONS	QTY	TYPE	WIRE GUARD	AVERAGE FOOT CANDLES @ 36" AFF	LOCATION	SIZE	FIRE SYSTEM TYPE	SIZE			ELECTRICAL MODEL #	SWITCHES QUANTITY
1	HD1-Kettle	CAPTRATE SOLID FILTER	8	16"	16"	85% SEE FILTER SPEC	5	L55 SERIES E26	ND		RIGHT	20"x54"x24"	ANSUL R-102	3.0/3.0	DCV-2111	1 LIGHT 1 FAN	YES	717 LBS
2	HD2-Grill	CAPTRATE SOLID FILTER	8	16"	16"	85% SEE FILTER SPEC	6	L55 SERIES E26	ND								YES	570 LBS
3	PSP-1						0										NO	174 LBS
4	PSP-2						0										NO	194 LBS
5	HD3-DISH						0										NO	181 LBS

HOOD OPTIONS

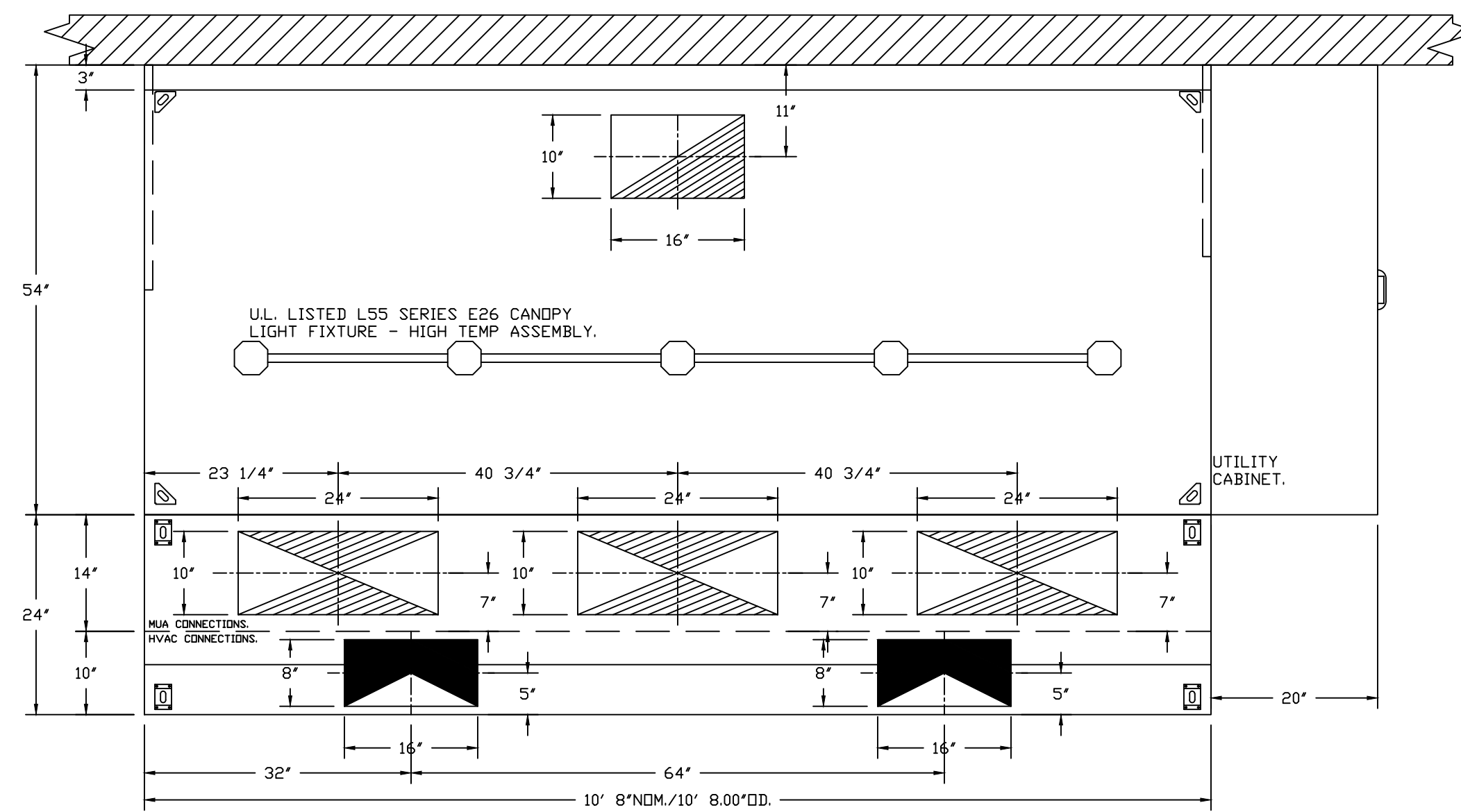
HOOD NO	TAG	OPTION
1	HD1-Kettle	FIELD WRAPPER 11.00' HIGH FRONT, LEFT, RIGHT.
		BACKSPLASH 80.00" HIGH X 148.00" LONG 430 SS VERTICAL.
		BACKSPLASH 114.00" HIGH X 30.00" LONG 430 SS VERTICAL.
		BACKSPLASH - OUTSIDE CORNER 114.00" HIGH X 2.00" LEG LENGTH 430 SS VERTICAL.
		BACKSPLASH - OUTSIDE CORNER 114.00" HIGH X 2.00" LEG LENGTH 430 SS VERTICAL.
		RIGHT QUARTER END PANEL 23" TOP WIDTH, 0" BOTTOM WIDTH, 23" HIGH 430 SS.
2	HD2-Grill	LEFT VERTICAL END PANEL 27" TOP WIDTH, 21" BOTTOM WIDTH, 80" HIGH INSULATED 430 SS.
		SENSOR-CV.
		FIELD WRAPPER 11.00' HIGH FRONT, LEFT, RIGHT.
		BACKSPLASH 80.00" HIGH X 132.00" LONG 430 SS VERTICAL.
		BACKSPLASH 114.00" HIGH X 18.00" LONG 430 SS VERTICAL.
		BACKSPLASH 114.00" HIGH X 18.00" LONG 430 SS VERTICAL.
5	HD3-DISH	RIGHT QUARTER END PANEL 23" TOP WIDTH, 0" BOTTOM WIDTH, 23" HIGH 430 SS.
		INSULATION FOR BACK OF HOOD.
		LEFT VERTICAL END PANEL 27" TOP WIDTH, 21" BOTTOM WIDTH, 80" HIGH INSULATED 430 SS.

PERFORATED SUPPLY PLENUM(S)

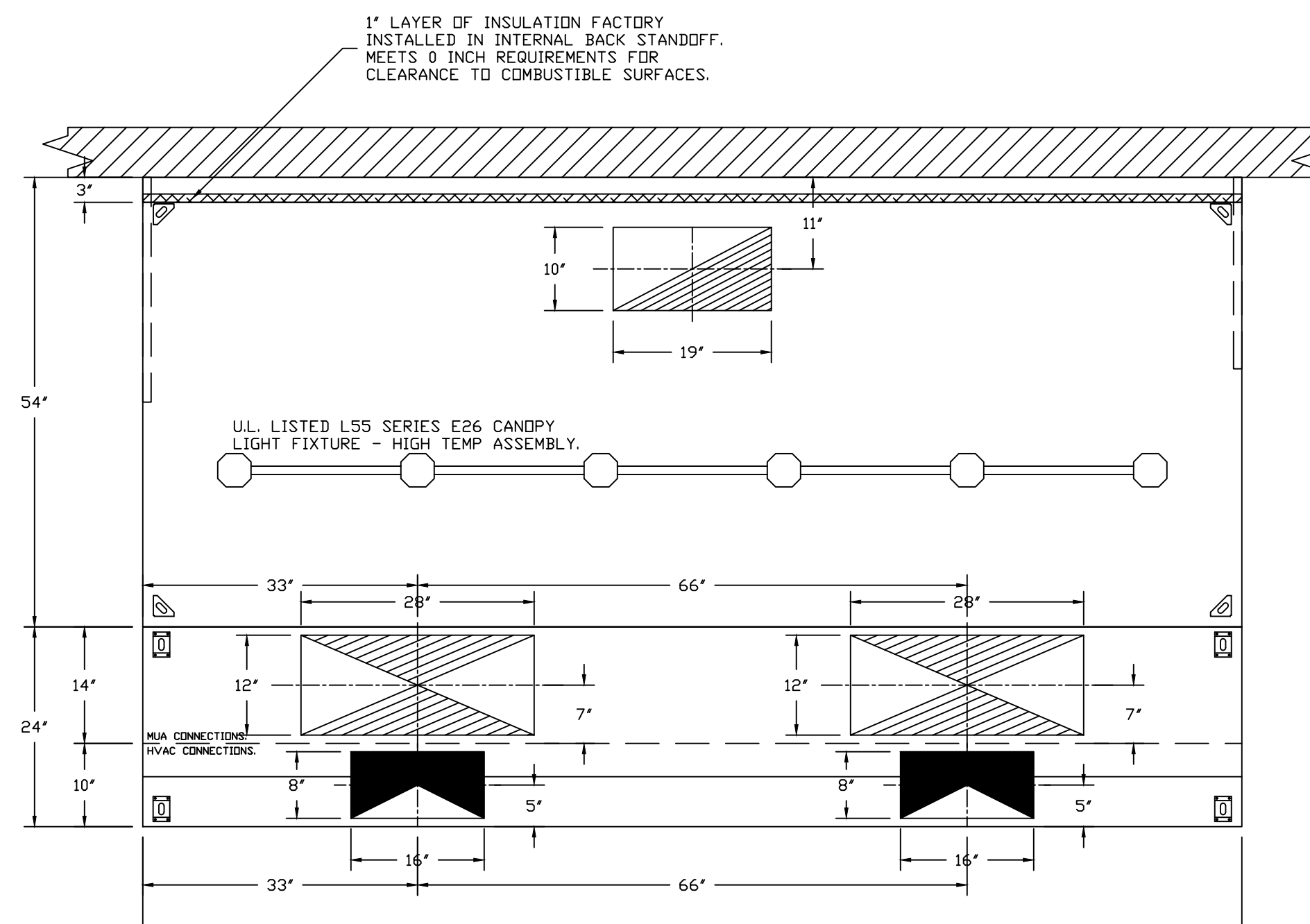
HOOD NO	TAG	POS	LENGTH	WIDTH	HEIGHT	TYPE	RISER(S)				
							WIDTH	LENG	DIA	CFM	SP
3	PSP-1	Front	128'	10'	6'	AC	8"	16"		275	0.071'
						AC	8"	16"		275	0.071'
		MUA				10"	24"		596	0.192'	
		MUA				10"	24"		596	0.192'	
4	PSP-2	Front	132'	10'	6'	AC	8"	16"		300	0.084'
						AC	8"	16"		300	0.084'
		MUA				12"	28"		924	0.249'	
		MUA				12"	28"		924	0.249'	

PATENT NUMBERS

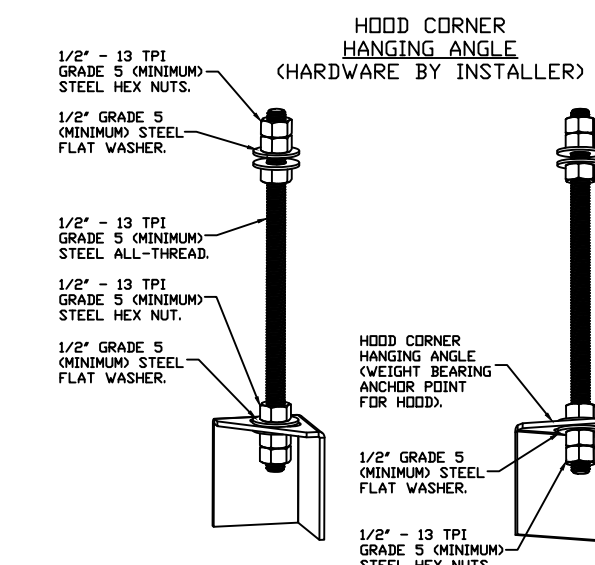
EXHAUST HOODS ND-2/BD-2/SND-2 (CANADA) - CA PATENT 2520435 C.



PLAN VIEW - HOOD #1 (HD1-Kettle)
10' 8.00" LONG 5424EX-2



PLAN VIEW - HOOD #2 (HD2-Grill)
11' 0.00" LONG 5424EX-2



ASSEMBLY INSTRUCTIONS

HANGING ANGLE MUST BE SUPPORTED WITH 1/2" - 13 TPI GRADE 5 (MINIMUM) ALL-THREAD SANDWICH HANGING ANGLES AND CEILING ANCHOR POINTS WITH 1/2" GRADE 5 (MINIMUM) STEEL FLAT WASHERS AND 1/2" - 13 TPI GRADE 5 (MINIMUM) HEX NUTS AS SHOWN. MUST USE DOUBLED HEX NUT CONFIGURATION BENEATH HOOD HANGING ANGLES AND ABOVE CEILING ANCHORS. MAINTAIN 1/4" OF EXPOSED THREADS BENEATH BOTTOM HEX NUT. TORQUE ALL HEX NUTS TO 57 FT-LBS.

SPECIFICATION: CAPTRATE® GREASE-STOP® SOLID FILTER

THE CAPTRATE GREASE-STOP SOLID FILTER IS A SINGLE-STAGE FILTER FEATURING A UNIQUE S-BAFFLE DESIGN IN CONJUNCTION WITH A SLOTTED REAR BAFFLE DESIGN, TO DELIVER EXCEPTIONAL FILTRATION EFFICIENCY.

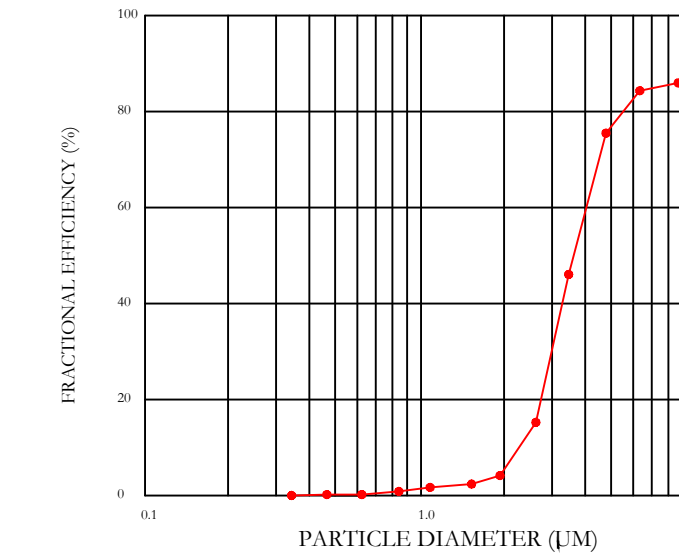
FILTER IS STAINLESS STEEL CONSTRUCTION, AND SIZED TO FIT INTO STANDARD 2-INCH DEEP HOOD CHANNEL(S).

UNITS SHALL INCLUDE STAINLESS STEEL HANDLES AND A FASTENING DEVICE TO SECURE THE TWO COMPONENTS WHEN ASSEMBLED.

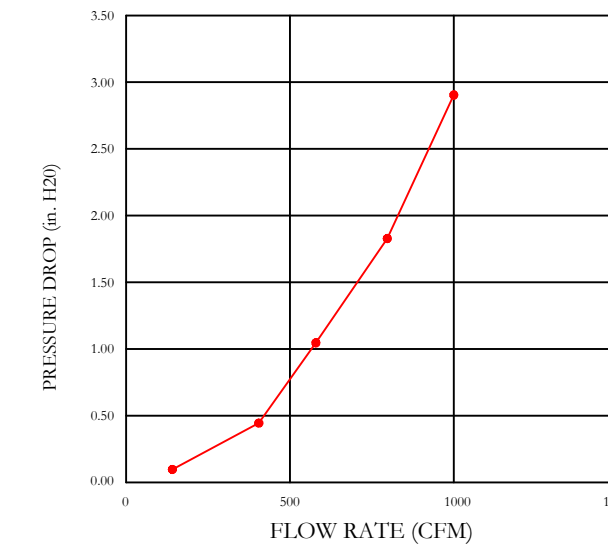
GREASE EXTRACTION EFFICIENCY PERFORMANCE SHALL REMOVE AT LEAST 75% OF GREASE PARTICLES FIVE MICRONS IN SIZE, AND 85% GREASE PARTICLES SEVEN MICRONS IN SIZE AND LARGER, WITH A CORRESPONDING PRESSURE DROP NOT TO EXCEED 1.0 INCHES OF WATER GAUGE.

THE CAPTRATE GREASE-STOP SOLID WAS TESTED TO ASTM STANDARD ASTM F2519-05. MANUFACTURER APPROVED FOR USE IN SOLID FUEL APPLICATIONS AS A SPARK ARRESTER.

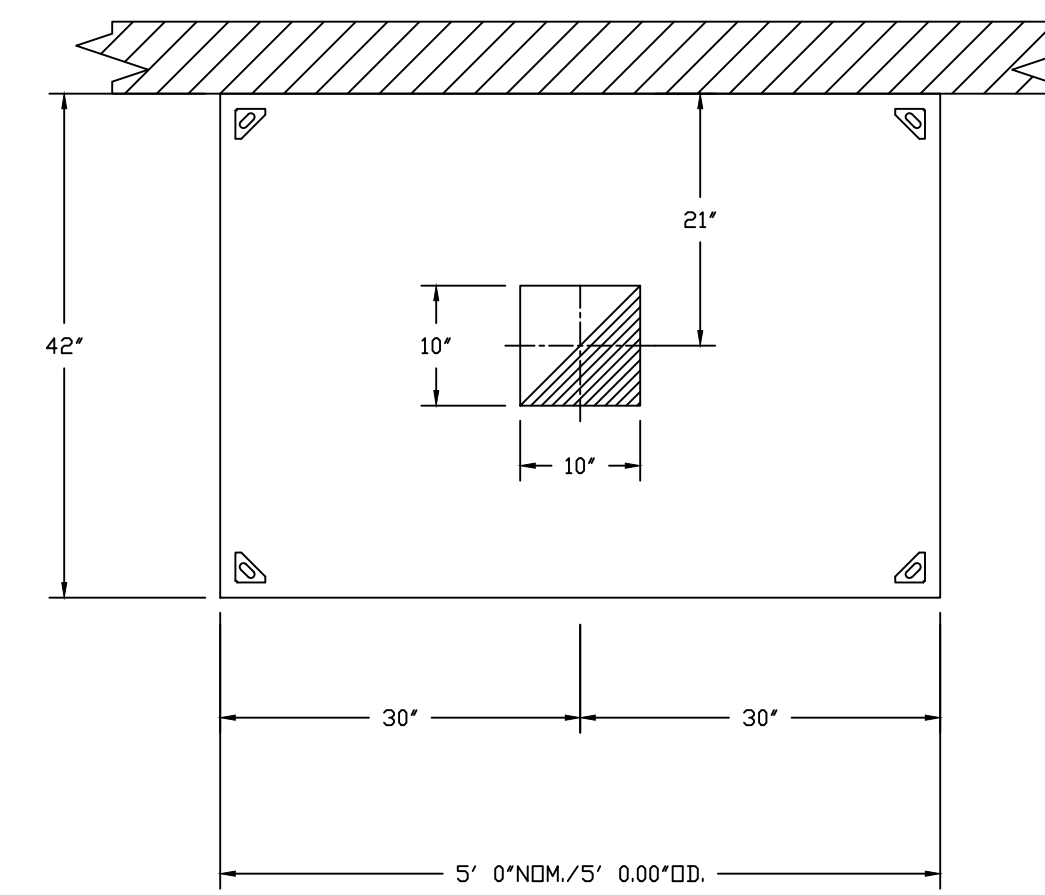
EFFICIENCY VS. PARTICLE DIAMETER



PRESSURE DROP VS. FLOW RATE



CAPTRATE FILTERS ARE BUILT IN COMPLIANCE WITH:
NFPA #96.
NSF STANDARD #2.
UL STANDARD #1046.
INT. MECH. CODE (IMC).
ULC-S649.



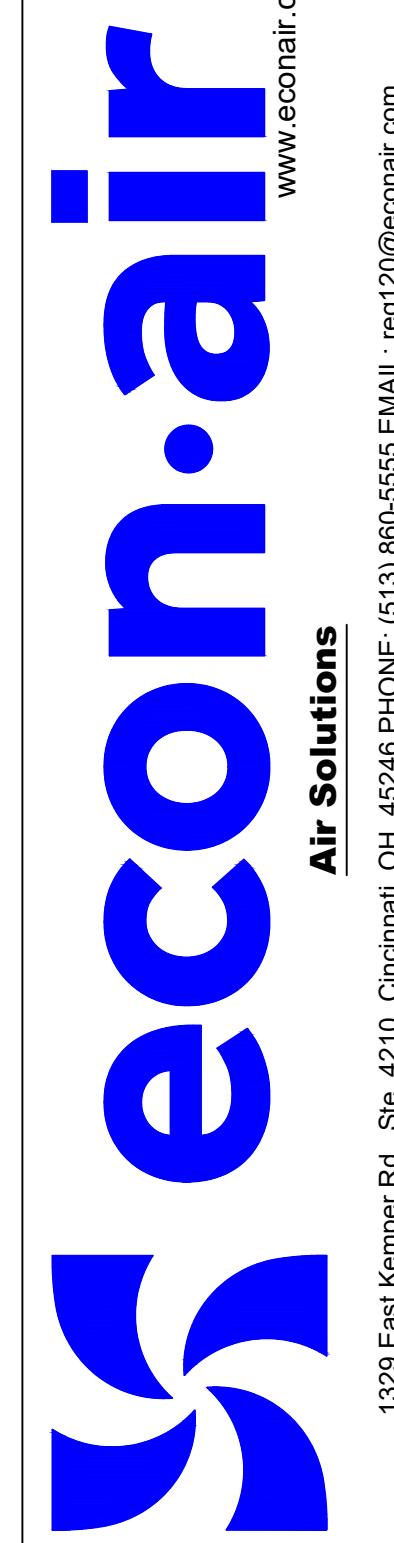
PLAN VIEW - HOOD #5 (HD3-DISH)
5' 0.00" LONG 4224ES-VHB-G

REVISIONS	
DESCRIPTION	DATE

CAPTIVE-AIRE HOODS ARE BUILT IN COMPLIANCE WITH UL 710 AND NFPA 96 AND ARE RECOGNIZED BY ONE OR MORE OF THE FOLLOWING:

ETL SANITATION LISTED
ETL LISTED FILE# 3054804-001

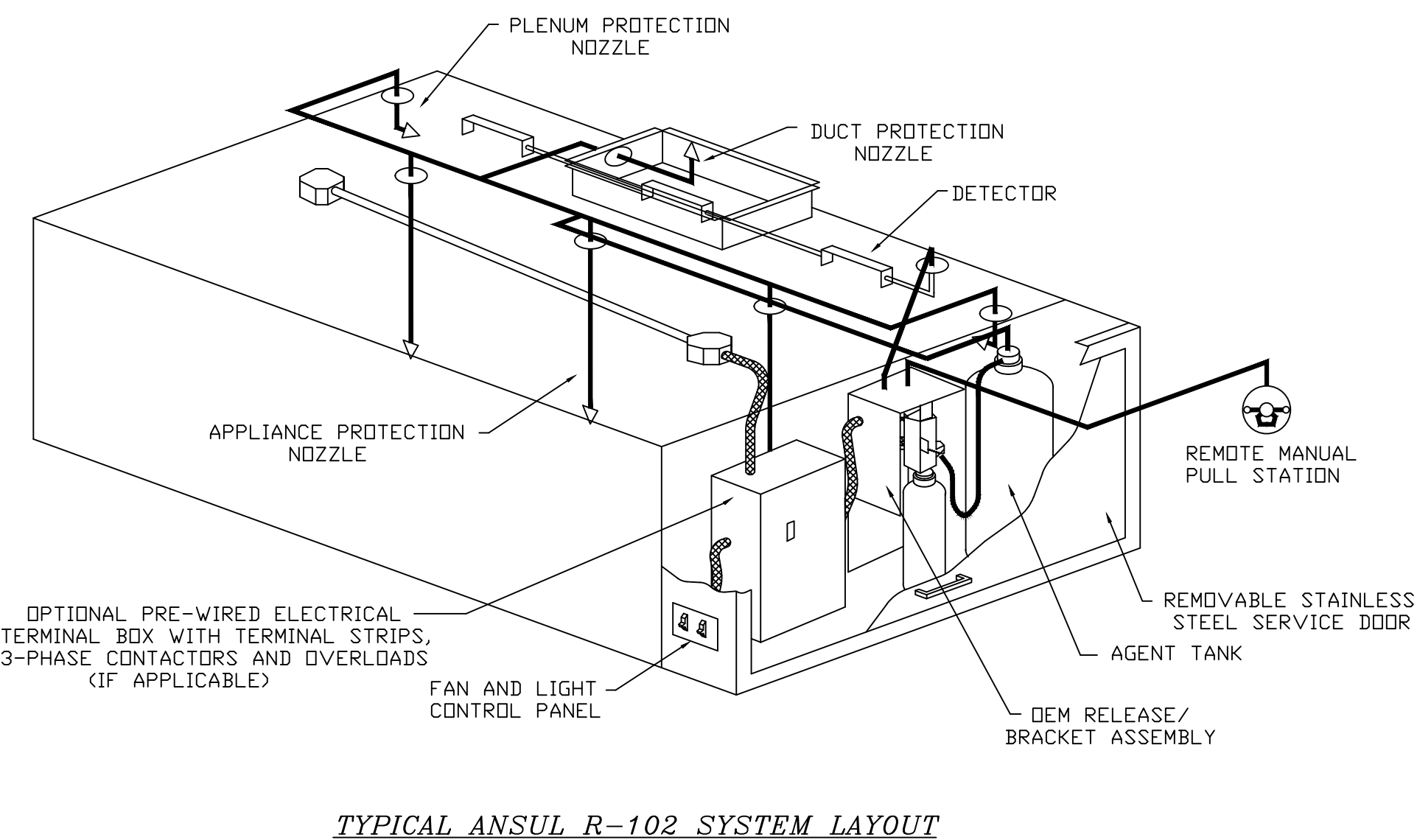
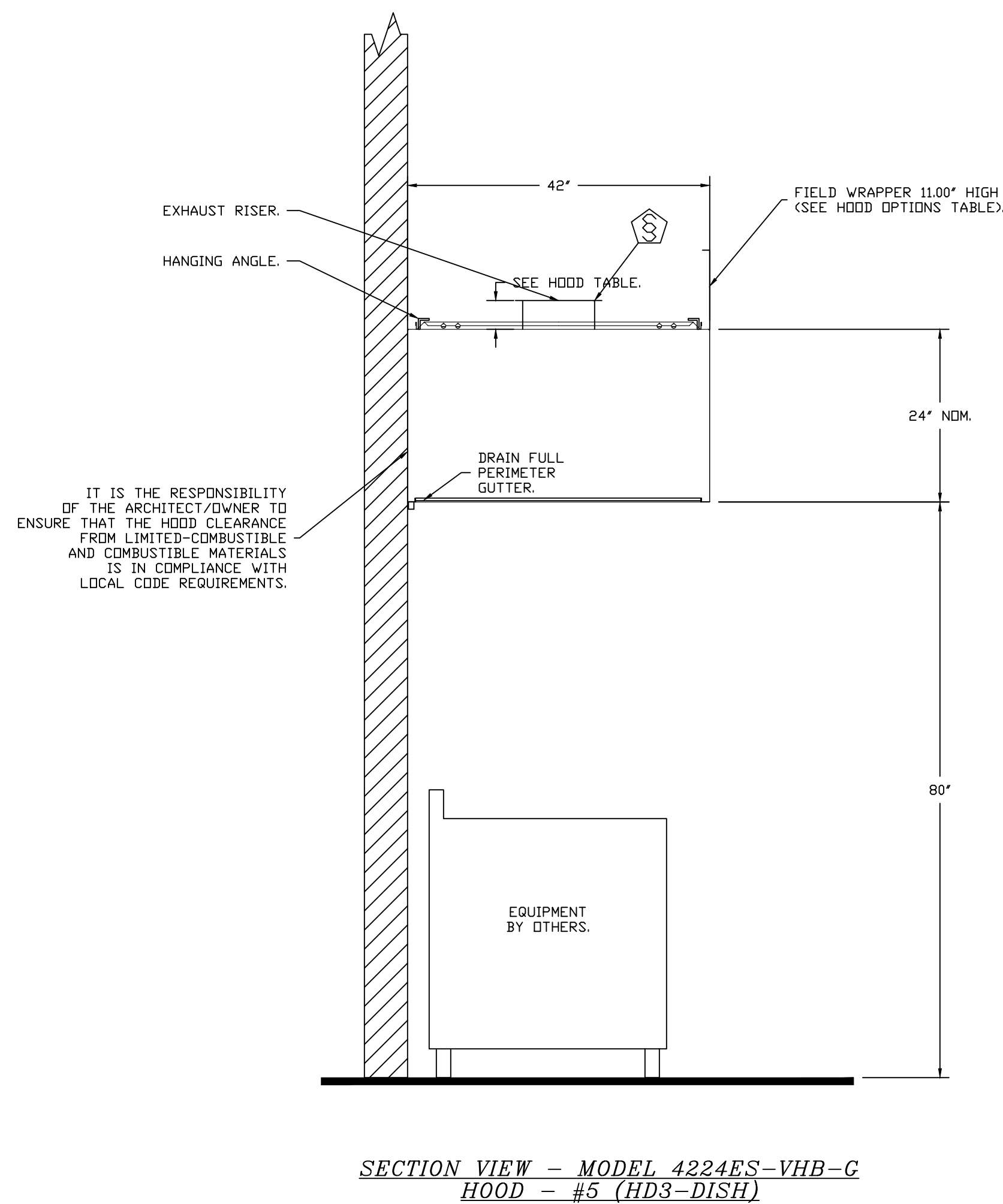
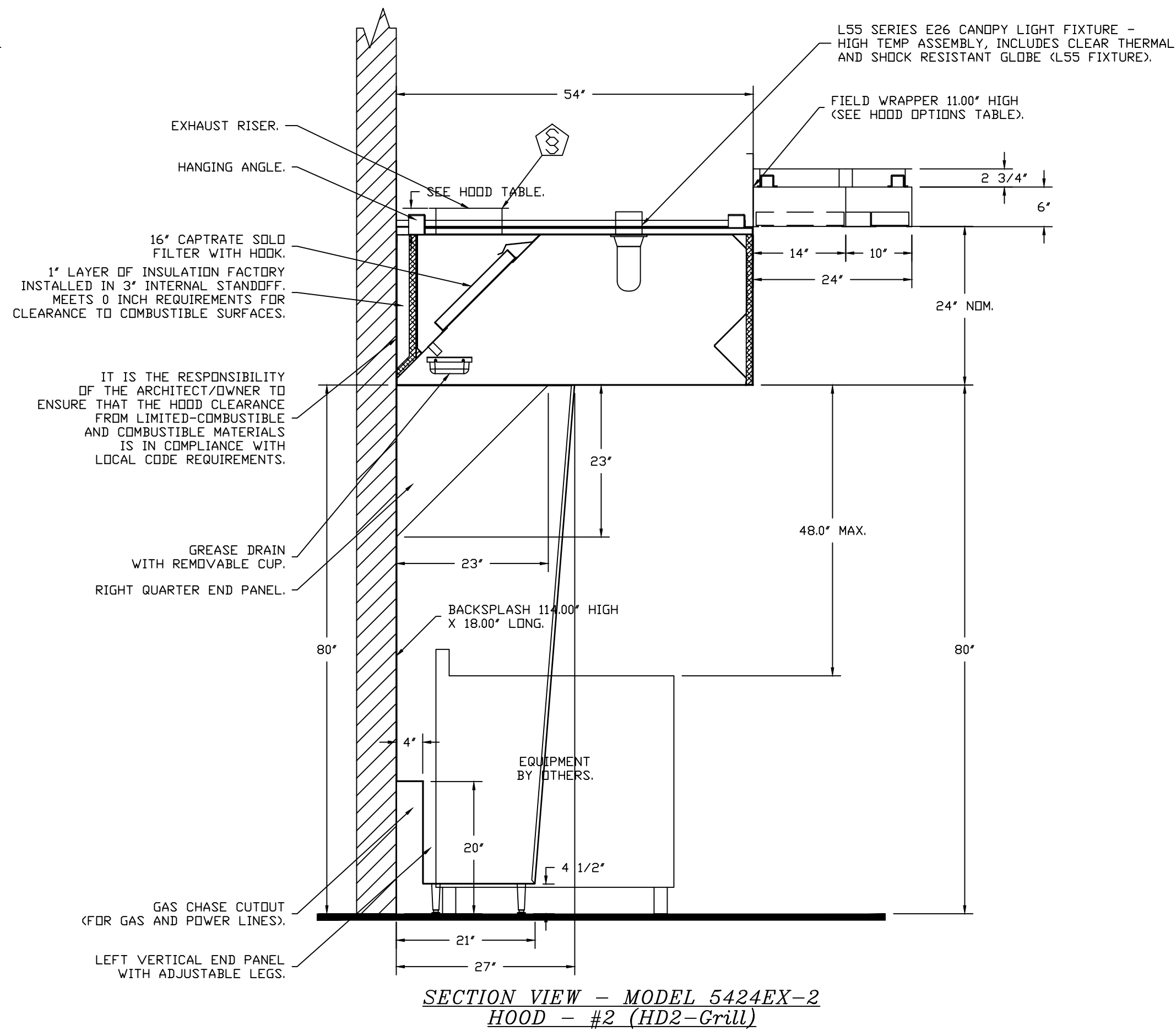
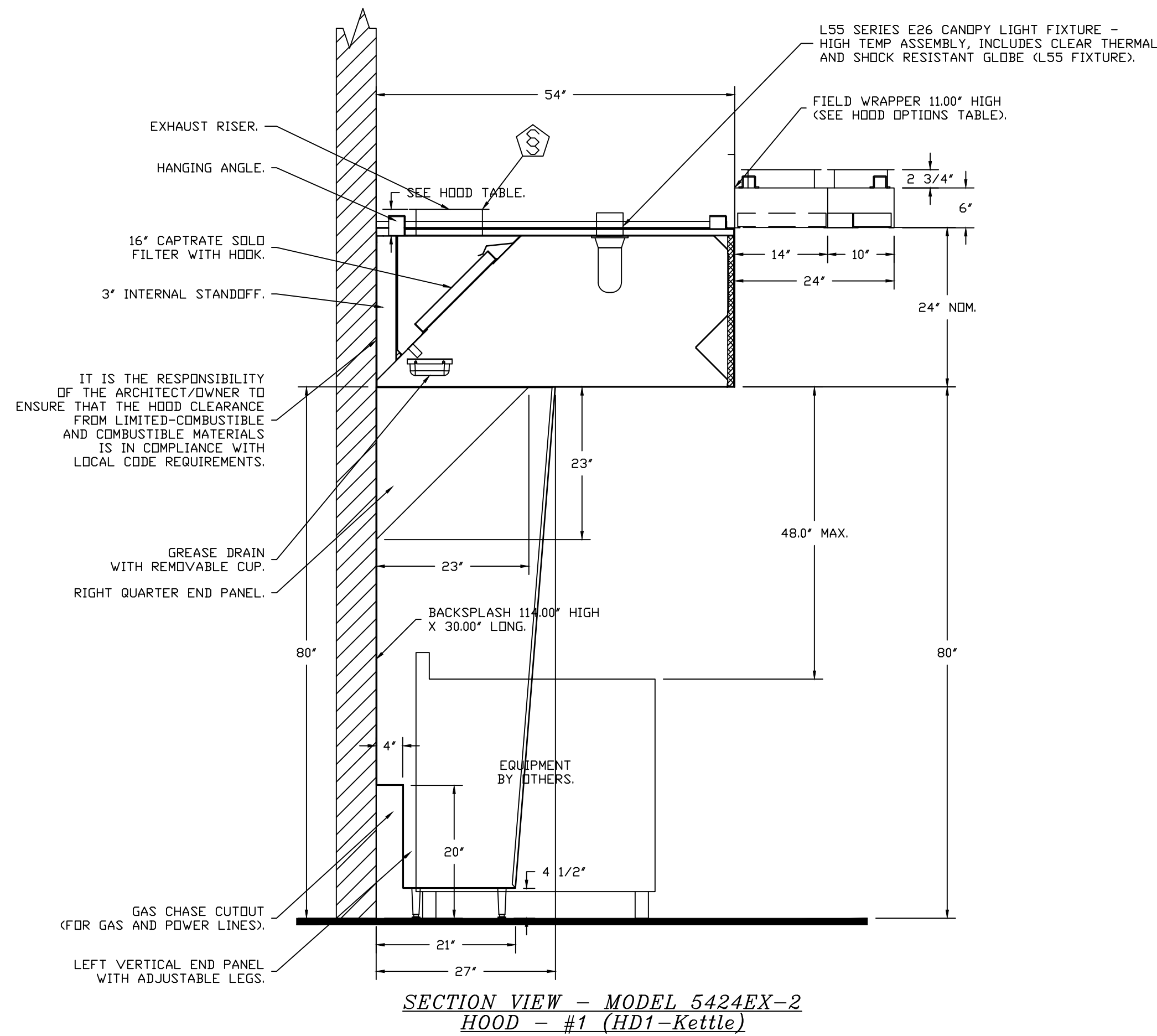
HOOD SYSTEM IS FABRICATED & DESIGNED PER UL-710 STANDARDS



City BBQ (Delaware)
1200 Sunbury Road,
Delaware, OH, 43015

DATE: 11/28/2022
DWG.#: 5489849
DRAWN BY: jcirilli
SCALE: 3/4" = 1'-0"
MASTER DRAWING

SHEET NO. 1



CAPTIVE-AIRE HOODS ARE BUILT IN COMPLIANCE WITH UL 710 AND NFPA 96 AND ARE RECOGNIZED BY ONE OR MORE OF THE FOLLOWING:

ETL SANITATION LISTED
ETL LISTED FILE# 3054804-001

HOOD SYSTEM IS FABRICATED & DESIGNED PER UL-710 STANDARDS

REVISIONS	
DESCRIPTION	DATE

econ-air
www.econair.com

Air Solutions
1329 East Kemper Rd., Ste. 4210, Cincinnati, OH, 45246 PHONE: (513) 860-5555 EMAIL: reg120@econair.com

City BBQ (Delaware)
1200 Sunbury Road,
Delaware, OH, 43015

DATE: 11/28/2022
DWG.#: 5489849
DRAWN BY: jcirilli
SCALE: 3/4" = 1'-0"
MASTER DRAWING

SHEET NO.
2

EXHAUST FAN INFORMATION – JOB#5489849

FAN UNIT NO	TAG	QTY	FAN UNIT MODEL #	MANUFACTURER	CFM	ESP	RPM	MOTOR ENCL	HP	BHP	PHASE	VOLT	FLA	DISCHARGE VELOCITY	WEIGHT (LBS)	SDNES
1	KEF-1(KETTLE)	1	EADU180H	ECDN-AIR	1973	1.000	1002	ODP,PREMIUM	1.500	0.5080	3	208	4.4	456 FPM	167	9.7
2	KEF-2 (GRILL)	1	EADU180H	ECDN-AIR	2200	1.000	1007	ODP,PREMIUM	1.500	0.7650	3	208	4.4	508 FPM	167	10.1
3	KEF3-DISH	1	EADU33H	ECDN-AIR	600	0.400	1145	TEAD-ECM	0.333	0.0990	1	115	4.3	297 FPM	64	9.2
5	EF4-TLT	1	EADR12H	ECDN-AIR	150	0.350	1014	TEAD-ECM	0.250	0.0450	1	115	2.9		50	3.7
6	EF-S1	1	DU50HFA	CAPTIVEAIRE	1100	0.200	1034	TEAD-ECM	0.500	0.1120	1	115	6.3	418 FPM	78	7.2
7	EF-S2	1	DU50HFA	CAPTIVEAIRE	1100	0.200	1034	TEAD-ECM	0.500	0.1120	1	115	6.3	418 FPM	78	7.2
8	EF-S3	1	DU50HFA	CAPTIVEAIRE	1100	0.200	1034	TEAD-ECM	0.500	0.1120	1	115	6.3	418 FPM	78	7.2

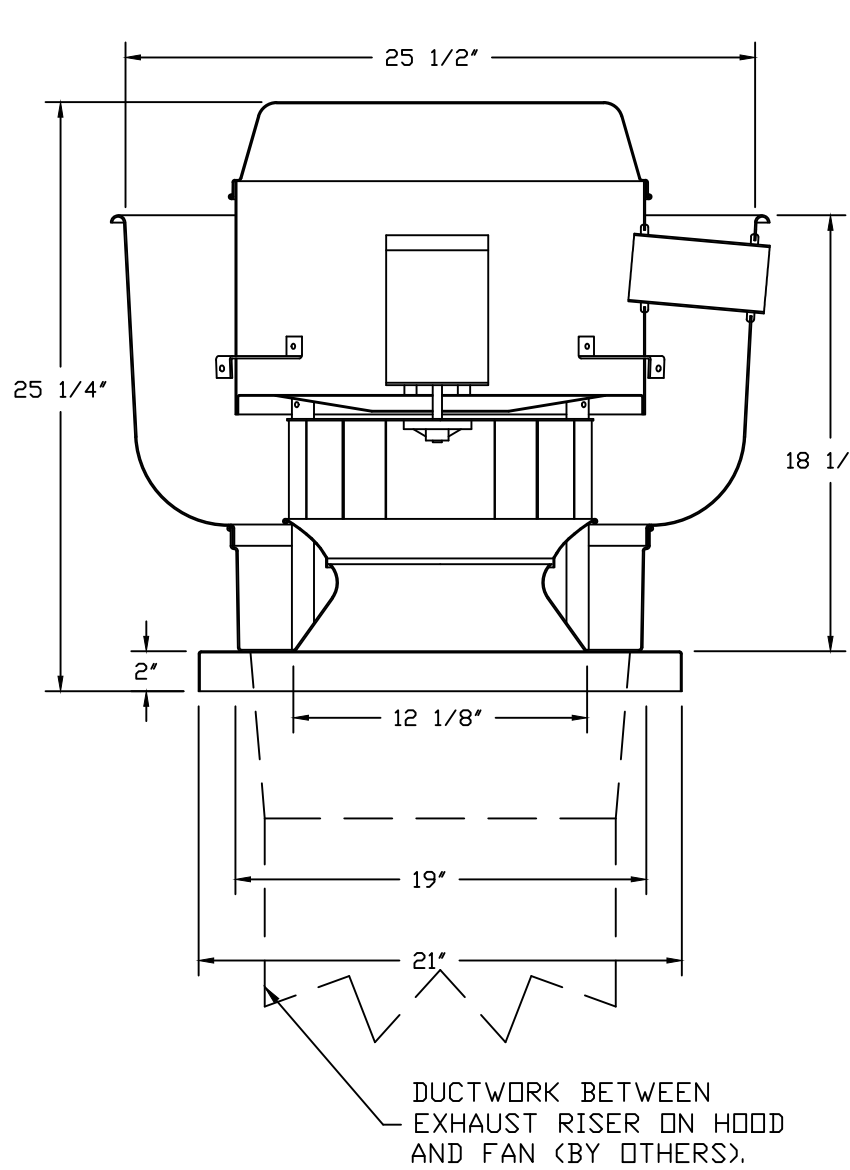
FAN ACCESSORIES

FAN UNIT NO	TAG	EXHAUST				SUPPLY			
		GREASE CUP	GRAVITY DAMPER	WALL MOUNT	SIDE DISCHARGE	GRAVITY DAMPER	MOTORIZED DAMPER	WALL MOUNT	
1	KEF-1(KETTLE)	YES							
2	KEF-2 (GRILL)	YES							
3	KEF3-DISH								
4	HMUA1						YES		
5	EF4-TLT		YES						
6	EF-S1								
7	EF-S2								
8	EF-S3								

CURB ASSEMBLIES

NO	DN FAN	TAG	WEIGHT	ITEM	SIZE
1	# 1	KEF-1(KETTLE)	38 LBS	CURB	26.500"W X 26.500"L X 24.000"H ALONG LENGTH, RIGHT VENTED HINGED.
2	# 2	KEF-2 (GRILL)	34 LBS	CURB	26.500"W X 26.500"L X 24.500"H ALONG LENGTH, RIGHT VENTED HINGED.
3	# 3	KEF3-DISH	20 LBS	CURB	19.500"W X 19.500"L X 18.000"H ALONG LENGTH, RIGHT.
4	# 4	HMUA1	76 LBS	CURB	31.000"W X 79.000"L X 16.000"H ALONG WIDTH, RIGHT INSULATED.
5	# 5	EF4-TLT	22 LBS	CURB	17.500"W X 17.500"L X 16.000"H ALONG LENGTH, RIGHT.

FAN #3 EADU33H – EXHAUST FAN (KEF3-DISH)



FEATURES:

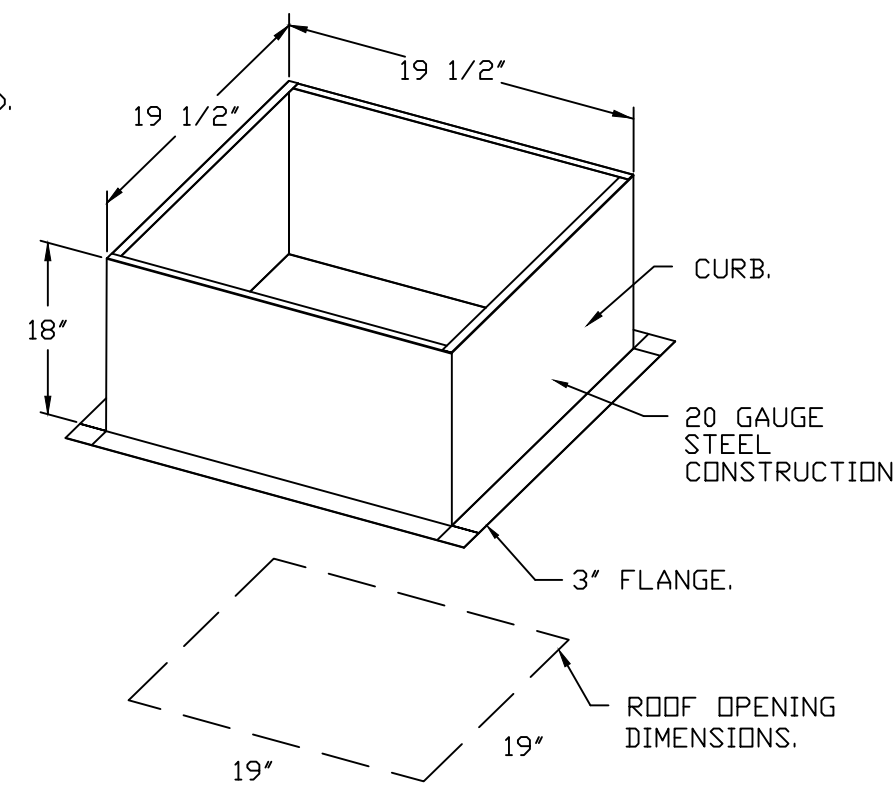
- DIRECT DRIVE CONSTRUCTION (NO BELTS/PULLEYS).
- ROOF MOUNTED FANS.
- RESTAURANT MODEL.
- UL705
- VARIABLE SPEED CONTROL.
- INTERNAL WIRING.
- THERMAL OVERLOAD PROTECTION (SINGLE PHASE).
- HIGH HEAT OPERATION 300°F (149°C).
- NEMA 3R SAFETY DISCONNECT SWITCH.

NORMAL TEMPERATURE TEST
EXHAUST FAN MUST OPERATE CONTINUOUSLY WHILE EXHAUSTING AIR AT 300°F (149°C) UNTIL ALL FAN PARTS HAVE REACHED THERMAL EQUILIBRIUM, AND WITHOUT ANY DETERIORATING EFFECTS TO THE FAN WHICH WOULD CAUSE UNSAFE OPERATION.

OPTIONS

- ECM WIRING PACKAGE – MANUAL OR 0-10VDC REFERENCE SPEED CONTROL
- RTC- (TELCD MOTOR), CCV ROTATION.
- 2 YEAR PARTS WARRANTY.

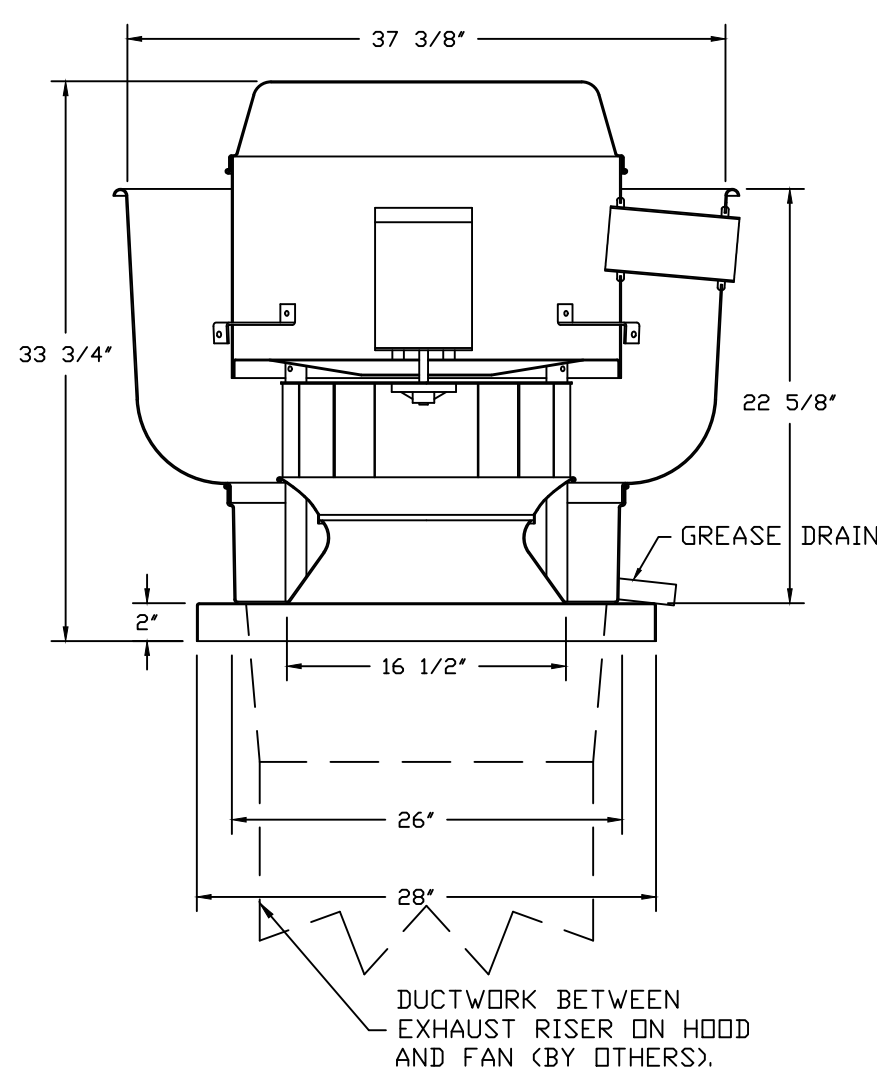
TOP VIEW



PITCHED CURBS ARE AVAILABLE FOR PITCHED ROOFS.

SPECIFY PITCH:
EXAMPLE: 7/12 PITCH = 30° SLOPE.

FAN #1 EADU180H – EXHAUST FAN (KEF-1(KETTLE))



FEATURES:

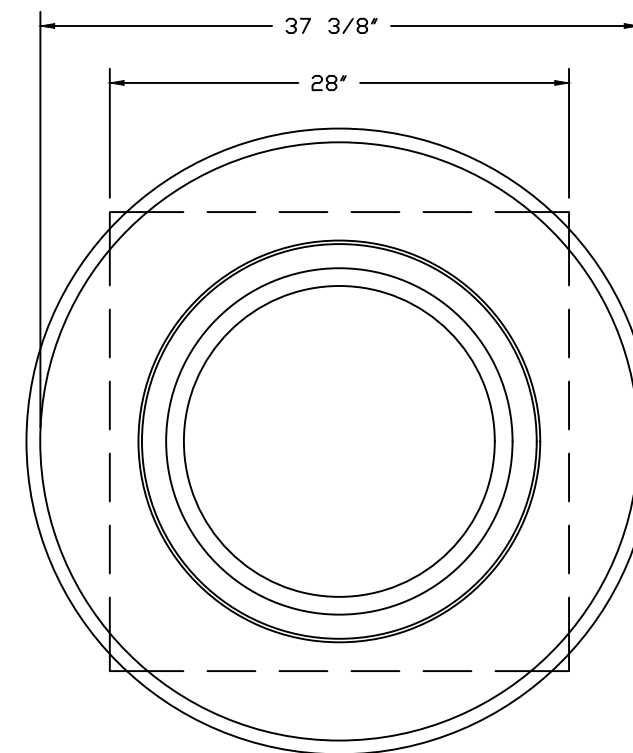
- DIRECT DRIVE CONSTRUCTION (NO BELTS/PULLEYS).
- ROOF MOUNTED FANS.
- RESTAURANT MODEL.
- UL705 AND UL762 AND ULC-S645
- VARIABLE SPEED CONTROL.
- INTERNAL WIRING.
- THERMAL OVERLOAD PROTECTION (SINGLE PHASE).
- HIGH HEAT OPERATION 300°F (149°C).
- GREASE CLASSIFICATION TESTING.
- NEMA 3R SAFETY DISCONNECT SWITCH.

NORMAL TEMPERATURE TEST
EXHAUST FAN MUST OPERATE CONTINUOUSLY WHILE EXHAUSTING AIR AT 300°F (149°C) UNTIL ALL FAN PARTS HAVE REACHED THERMAL EQUILIBRIUM, AND WITHOUT ANY DETERIORATING EFFECTS TO THE FAN WHICH WOULD CAUSE UNSAFE OPERATION.

ABNORMAL FLARE-UP TEST
EXHAUST FAN MUST OPERATE CONTINUOUSLY WHILE EXHAUSTING BURNING GREASE VAPORS AT 600°F (316°C) FOR A PERIOD OF 15 MINUTES WITHOUT THE FAN BECOMING DAMAGED TO ANY EXTENT THAT COULD CAUSE AN UNSAFE CONDITION.

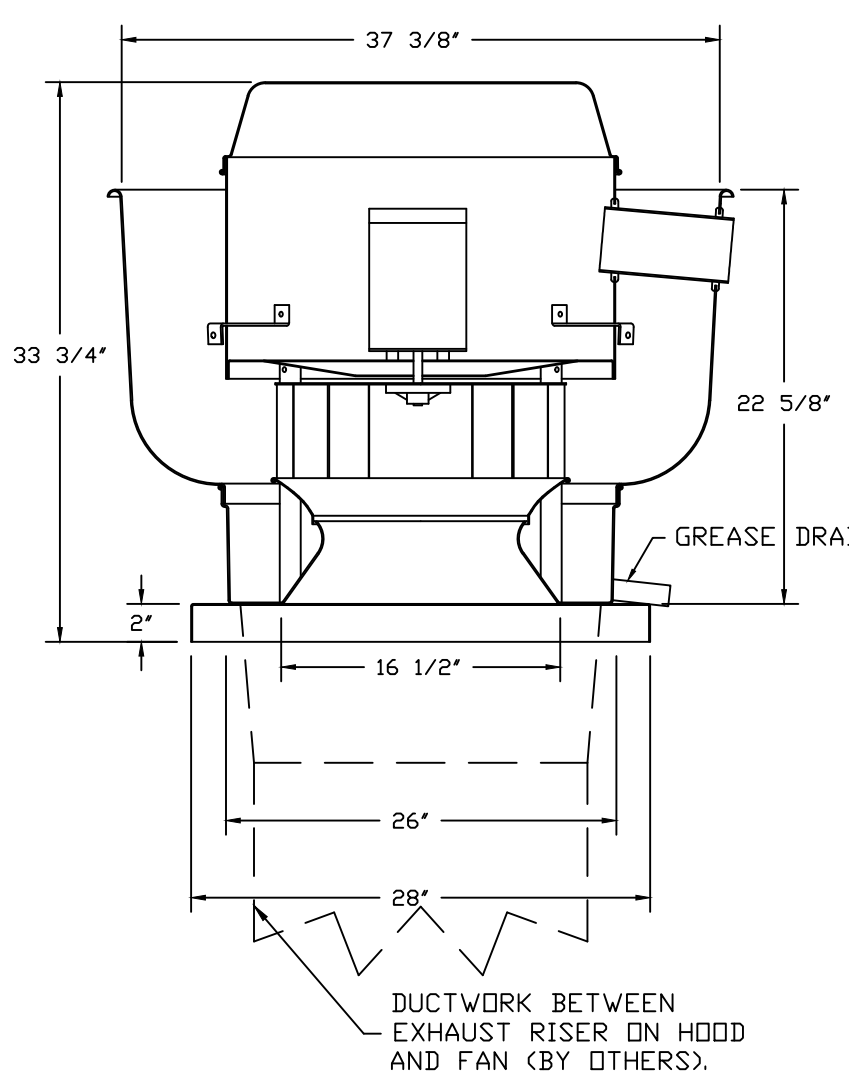
OPTIONS

- GREASE BOX.
- FAN BASE CERAMIC SEAL – INSTALLED AT PLANT – FOR GREASE DUCTS.
- EXHAUST FAN HEAT BAFFLE.
- 2 YEAR PARTS WARRANTY.



TOP VIEW

FAN #2 EADU180H – EXHAUST FAN (KEF-2 (GRILL))



FEATURES:

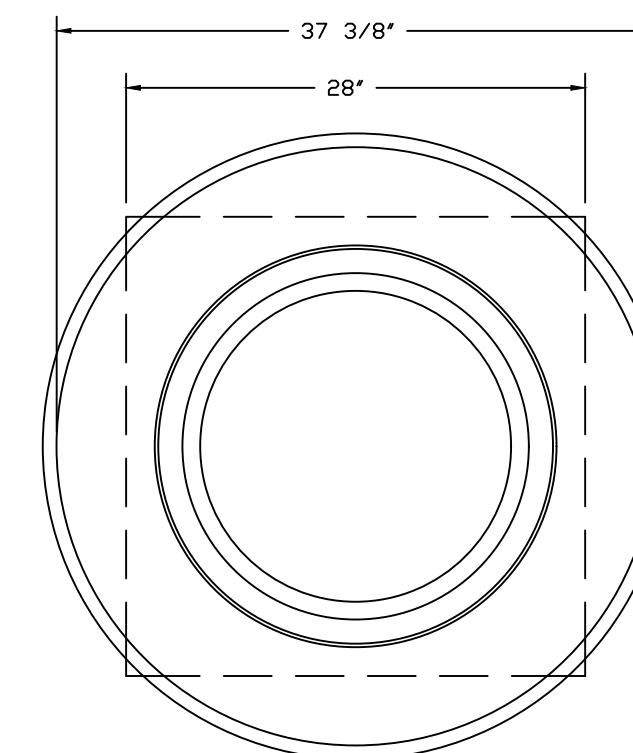
- DIRECT DRIVE CONSTRUCTION (NO BELTS/PULLEYS).
- ROOF MOUNTED FANS.
- RESTAURANT MODEL.
- UL705 AND UL762 AND ULC-S645
- VARIABLE SPEED CONTROL.
- INTERNAL WIRING.
- THERMAL OVERLOAD PROTECTION (SINGLE PHASE).
- HIGH HEAT OPERATION 300°F (149°C).
- GREASE CLASSIFICATION TESTING.
- NEMA 3R SAFETY DISCONNECT SWITCH.

NORMAL TEMPERATURE TEST
EXHAUST FAN MUST OPERATE CONTINUOUSLY WHILE EXHAUSTING AIR AT 300°F (149°C) UNTIL ALL FAN PARTS HAVE REACHED THERMAL EQUILIBRIUM, AND WITHOUT ANY DETERIORATING EFFECTS TO THE FAN WHICH WOULD CAUSE UNSAFE OPERATION.

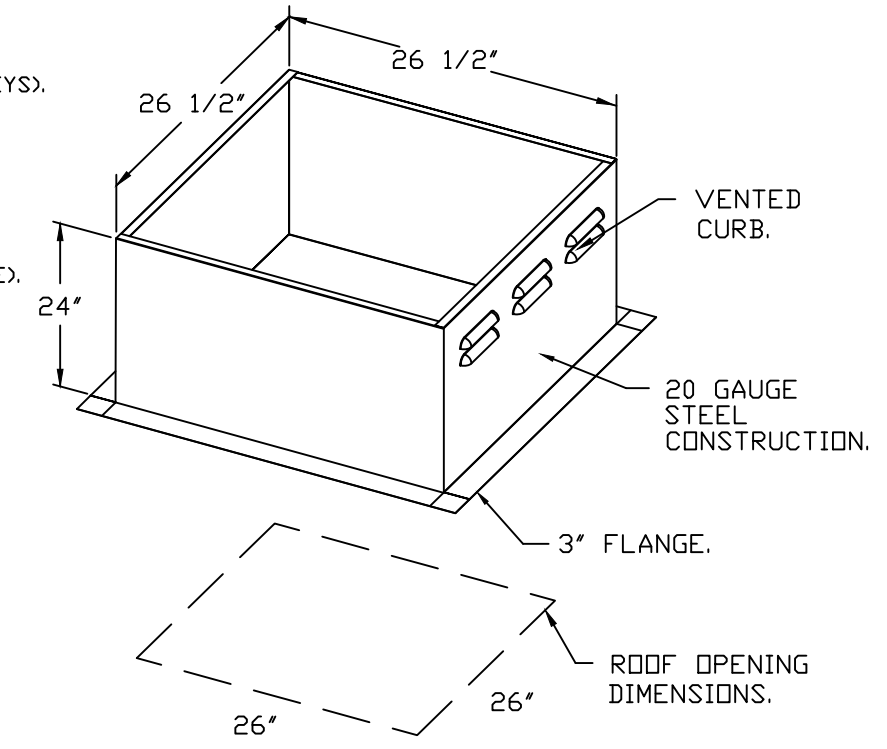
ABNORMAL FLARE-UP TEST
EXHAUST FAN MUST OPERATE CONTINUOUSLY WHILE EXHAUSTING BURNING GREASE VAPORS AT 600°F (316°C) FOR A PERIOD OF 15 MINUTES WITHOUT THE FAN BECOMING DAMAGED TO ANY EXTENT THAT COULD CAUSE AN UNSAFE CONDITION.

OPTIONS

- GREASE BOX.
- EXHAUST FAN HEAT BAFFLE.
- FAN BASE CERAMIC SEAL – SHIP LOOSE
- FOR GREASE DUCTS.
- 2 YEAR PARTS WARRANTY.

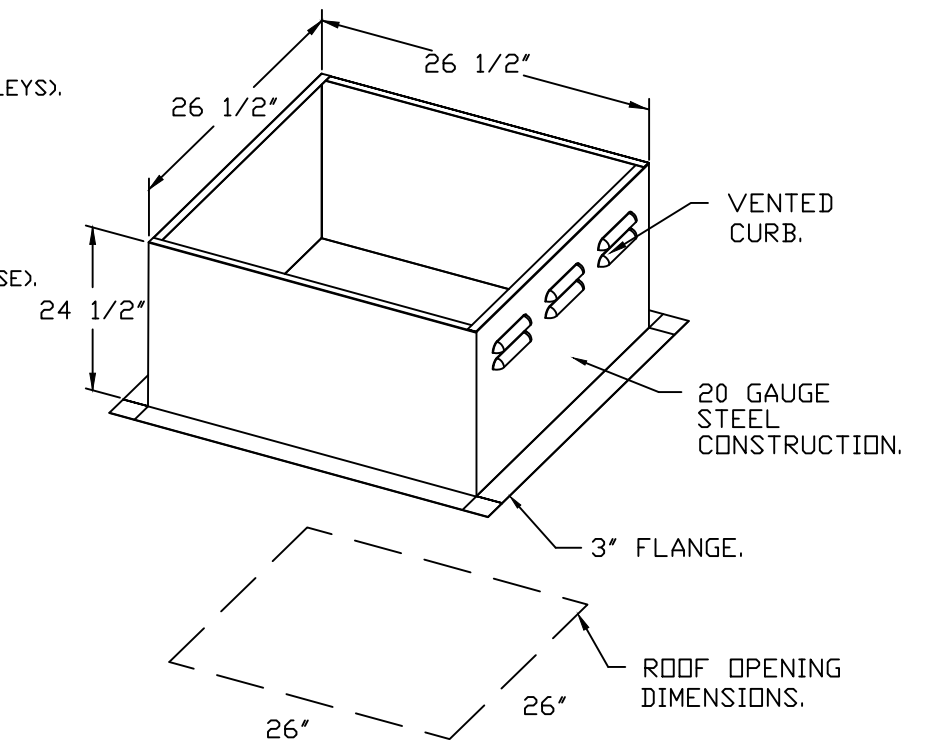


TOP VIEW



PITCHED CURBS ARE AVAILABLE FOR PITCHED ROOFS.

SPECIFY PITCH:
EXAMPLE: 7/12 PITCH = 30° SLOPE.



PITCHED CURBS ARE AVAILABLE FOR PITCHED ROOFS.

SPECIFY PITCH:
EXAMPLE: 7/12 PITCH = 30° SLOPE.

REVISIONS

DESCRIPTION	DATE:

recon-air
www.reconair.com
Air Solutions
1329 East Kemper Rd., Ste. 4210, Cincinnati, OH, 45246 PHONE: (513) 860-5555 EMAIL: reg120@reconair.com

City BBQ (Delaware)
1200 Sunbury Road,
Delaware, OH, 43015

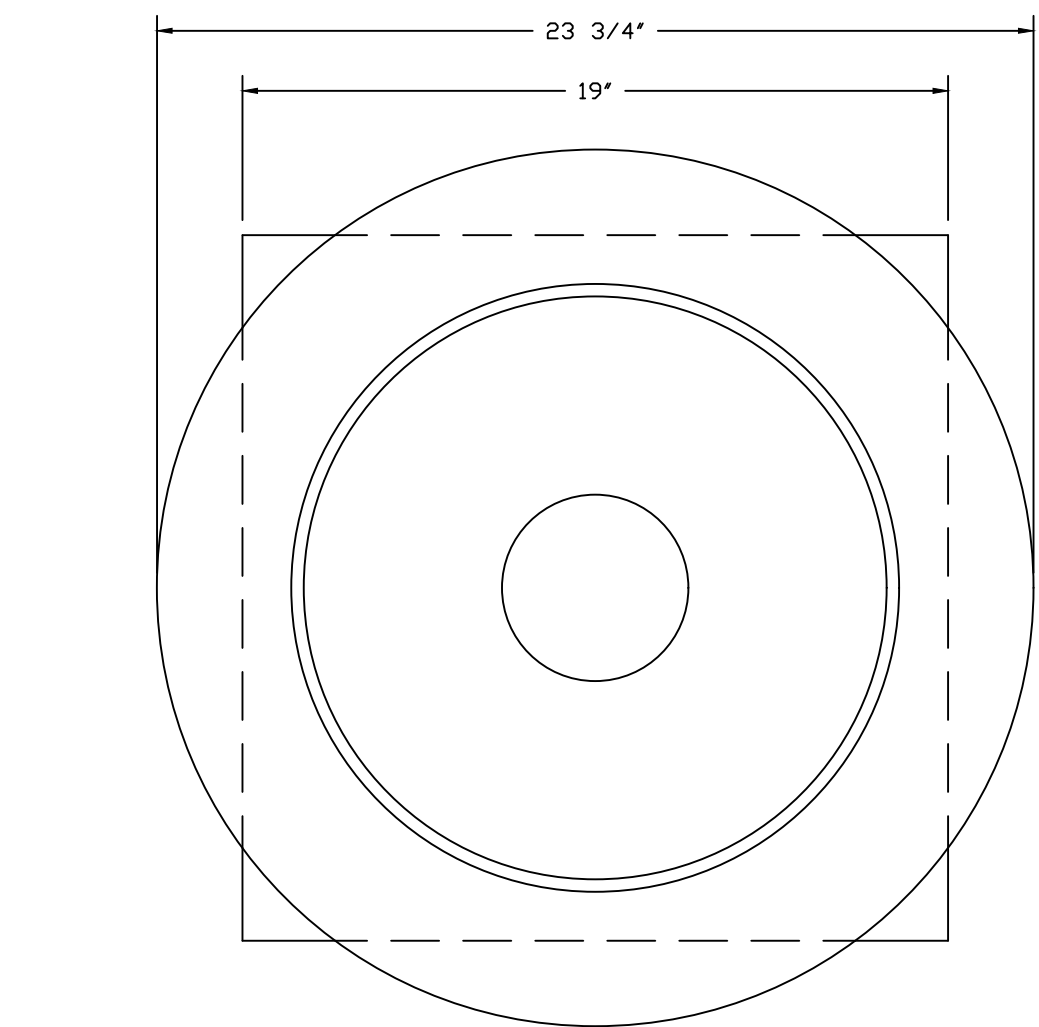
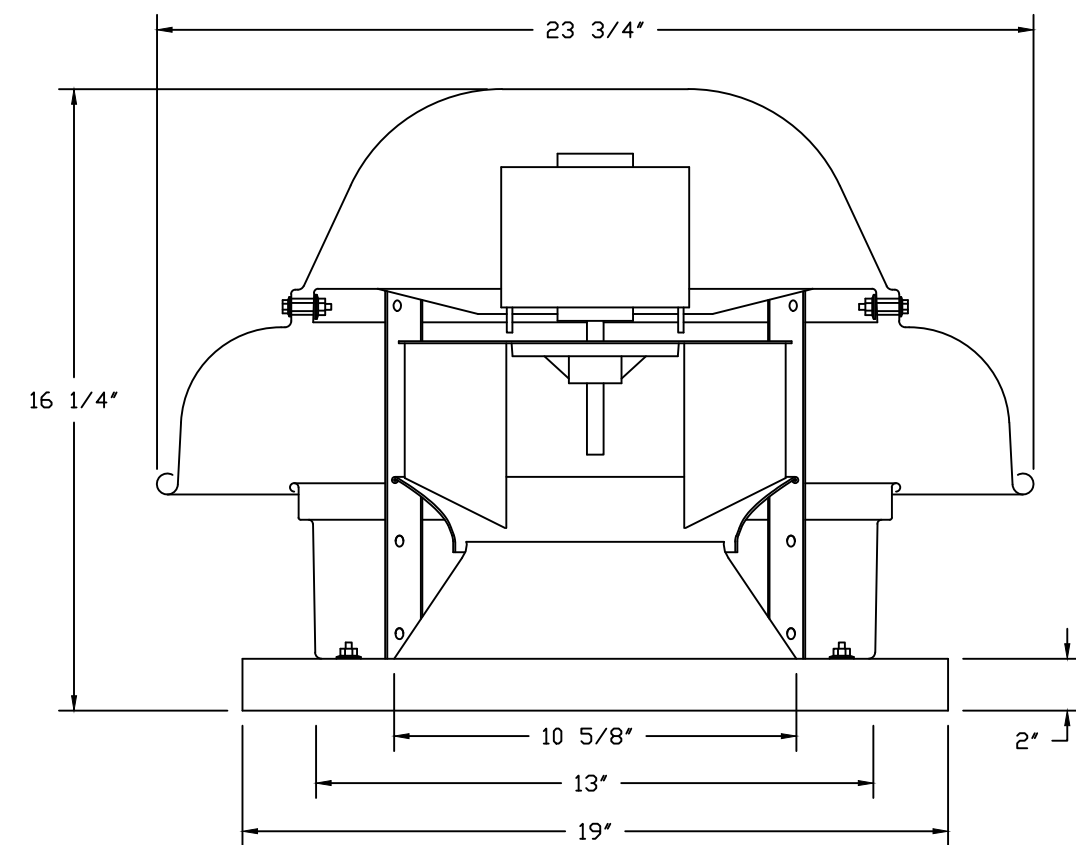
DATE: 11/28/2022
DWG.#: 5489849
DRAWN BY: jcirilli
SCALE: 3/4" = 1'-0"
MASTER DRAWING

SHEET NO.
3

FAN OPTIONS

FAN UNIT NO	TAG	QTY	DESCRIPTION
1	KEF-1(KETTLE)	1	GREASE BDX
		1	FAN BASE CERAMIC SEAL - INSTALLED AT PLANT - FOR GREASE DUCTS
		1	EXHAUST FAN HEAT BAFFLE
		1	2 YEAR PARTS WARRANTY
2	KEF-2 (GRILL)	1	GREASE BDX
		1	EXHAUST FAN HEAT BAFFLE
		1	FAN BASE CERAMIC SEAL - SHIP LOOSE - FOR GREASE DUCTS
		1	2 YEAR PARTS WARRANTY
3	KEF3-DISH	1	ECM WIRING PACKAGE - MANUAL OR 0-10VDC REFERENCE SPEED CONTROL -RTC- (TELCO MOTOR), CCW ROTATION
		1	2 YEAR PARTS WARRANTY
		1	MOTORIZED BACKDRAFT DAMPER FOR A2-D HOUSING - MEETS AMCA CLASS 1A RATING
		1	LDW FIRE START
4	HMUA1	1	INLET PRESSURE GAUGE, 0-35"
		1	MANIFOLD PRESSURE GAUGE, -5 TO 15" WC
		1	SEPARATE 120V WIRING PACKAGE (REQUIRED AND USED ONLY FOR DCV OR PREWIRE WITH VFD) - THREE PHASE ONLY
		1	SIZE 2 DIRECT FIRED HEATER LOW CFM PROFILE PACKAGE - USED ON HEATERS UNDER 2500 CFM
		1	SIZE 2 TEMPERED COMMERCIAL DOWN DISCHARGE FOR DIRECT DRIVE AHUS
		1	2 YEAR PARTS WARRANTY
		1	ECM WIRING PACKAGE - MANUAL OR 0-10VDC REFERENCE SPEED CONTROL -RTC- (TELCO MOTOR), CCW ROTATION
		1	UPBLAST FAN WHEEL ACCESS PORT
		1	EXHAUST FAN HEAT BAFFLE
		1	FAN BASE CERAMIC SEAL - SHIP LOOSE - FOR GREASE DUCTS
5	EF4-TLT	1	ECM WIRING PACKAGE - MANUAL OR 0-10VDC REFERENCE SPEED CONTROL -RTC- (TELCO MOTOR), CCW ROTATION
		1	I 12-BDD DAMPER
		1	2 YEAR PARTS WARRANTY
		1	ECM WIRING PACKAGE - MANUAL OR 0-10VDC REFERENCE SPEED CONTROL -RTC- (TELCO MOTOR), CCW ROTATION
6	EF-S1	1	UPBLAST FAN WHEEL ACCESS PORT
		1	EXHAUST FAN HEAT BAFFLE
		1	FAN BASE CERAMIC SEAL - SHIP LOOSE - FOR GREASE DUCTS
		1	2 YEAR PARTS WARRANTY
		1	ECM WIRING PACKAGE - MANUAL OR 0-10VDC REFERENCE SPEED CONTROL -RTC- (TELCO MOTOR), CCW ROTATION
		1	UPBLAST FAN WHEEL ACCESS PORT
7	EF-S2	1	EXHAUST FAN HEAT BAFFLE
		1	FAN BASE CERAMIC SEAL - SHIP LOOSE - FOR GREASE DUCTS
		1	2 YEAR PARTS WARRANTY
		1	ECM WIRING PACKAGE - MANUAL OR 0-10VDC REFERENCE SPEED CONTROL -RTC- (TELCO MOTOR), CCW ROTATION
		1	UPBLAST FAN WHEEL ACCESS PORT
		1	EXHAUST FAN HEAT BAFFLE
8	EF-S3	1	UPBLAST FAN WHEEL ACCESS PORT
		1	EXHAUST FAN HEAT BAFFLE
		1	FAN BASE CERAMIC SEAL - SHIP LOOSE - FOR GREASE DUCTS
		1	2 YEAR PARTS WARRANTY
		1	ECM WIRING PACKAGE - MANUAL OR 0-10VDC REFERENCE SPEED CONTROL -RTC- (TELCO MOTOR), CCW ROTATION
		1	UPBLAST FAN WHEEL ACCESS PORT

FAN #5 EADR12H - EXHAUST FAN (EF4-TLT)



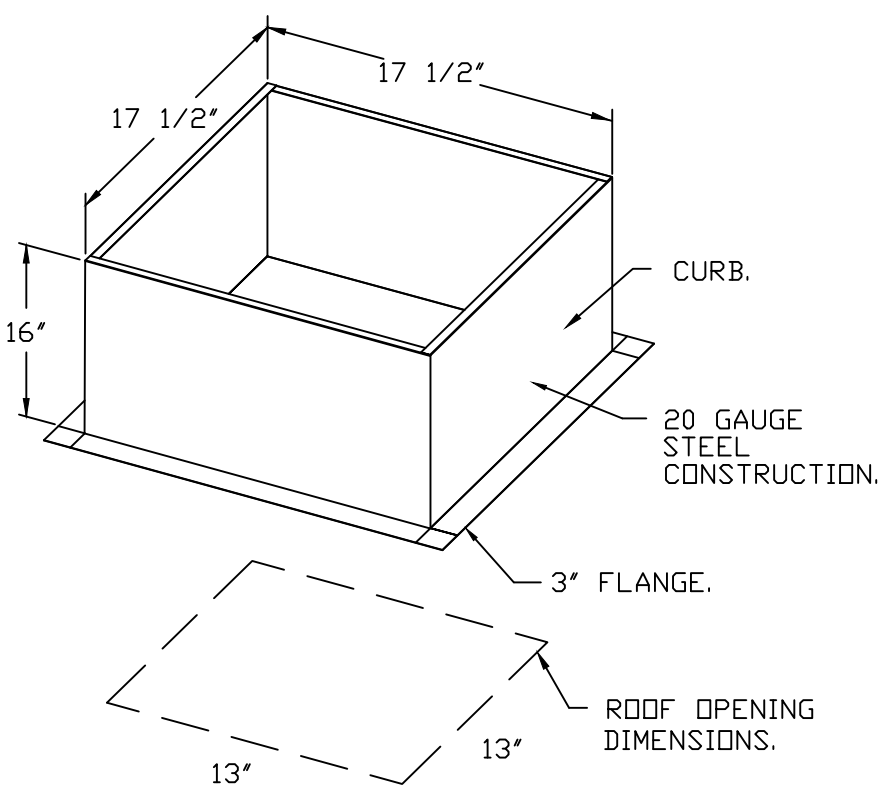
TOP VIEW

FEATURES:

- DIRECT DRIVE CONSTRUCTION (NO BELTS/PULLEYS).
- ROOF MOUNTED FANS.
- UL705.
- SAFETY DISCONNECT.
- STANDARD BIRD SCREEN.
- SPEED CONTROL.

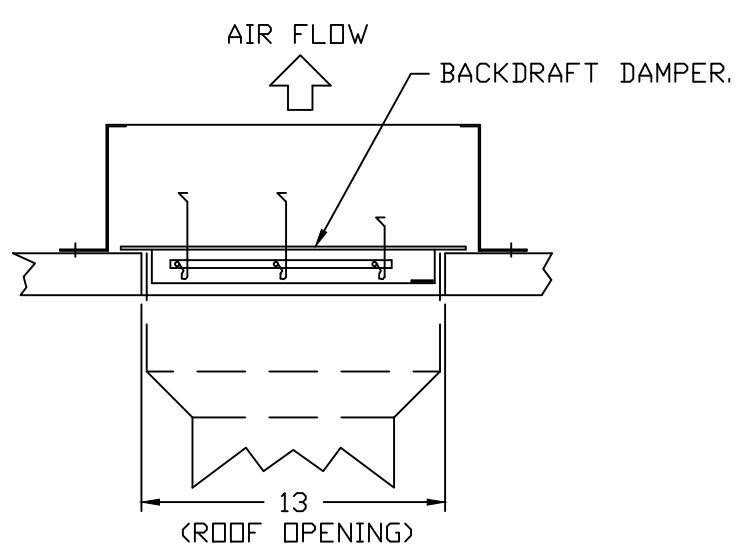
OPTIONS

- ECM WIRING PACKAGE - MANUAL OR 0-10VDC REFERENCE SPEED CONTROL -RTC- (TELCO MOTOR), CCW ROTATION.
- I 12-BDD DAMPER.
- 2 YEAR PARTS WARRANTY.

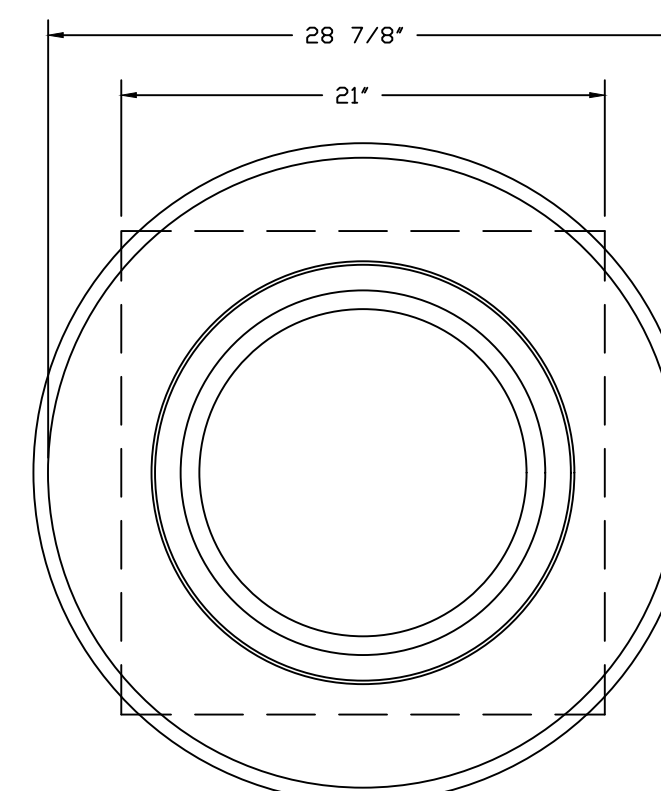
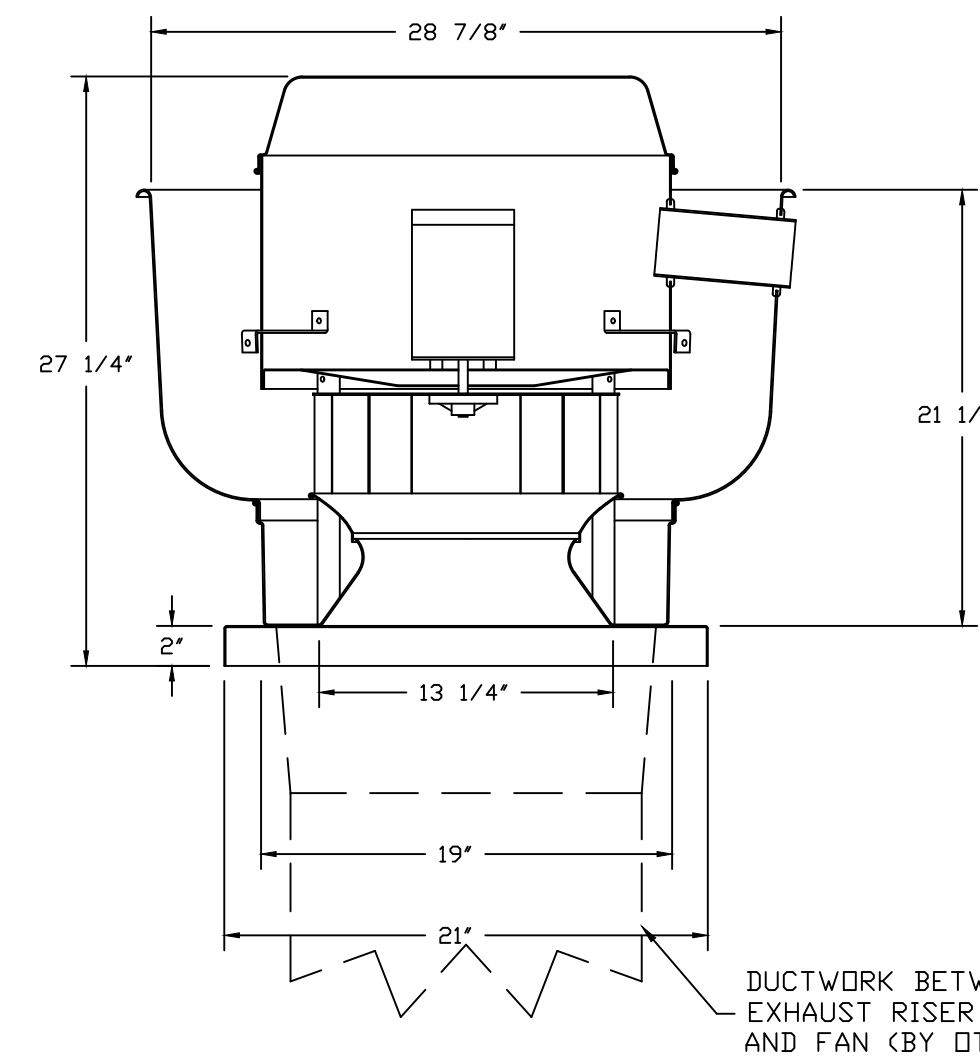


PITCHED CURBS ARE AVAILABLE FOR PITCHED ROOFS.
SPECIFY PITCH: EXAMPLE: 7/12 PITCH = 30° SLOPE.

BACKDRAFT DAMPER INSTALLATION



FANS #6 (EF-S1), #7 (EF-S2), #8 (EF-S3) - DUS0HFA EXHAUST FAN



TOP VIEW

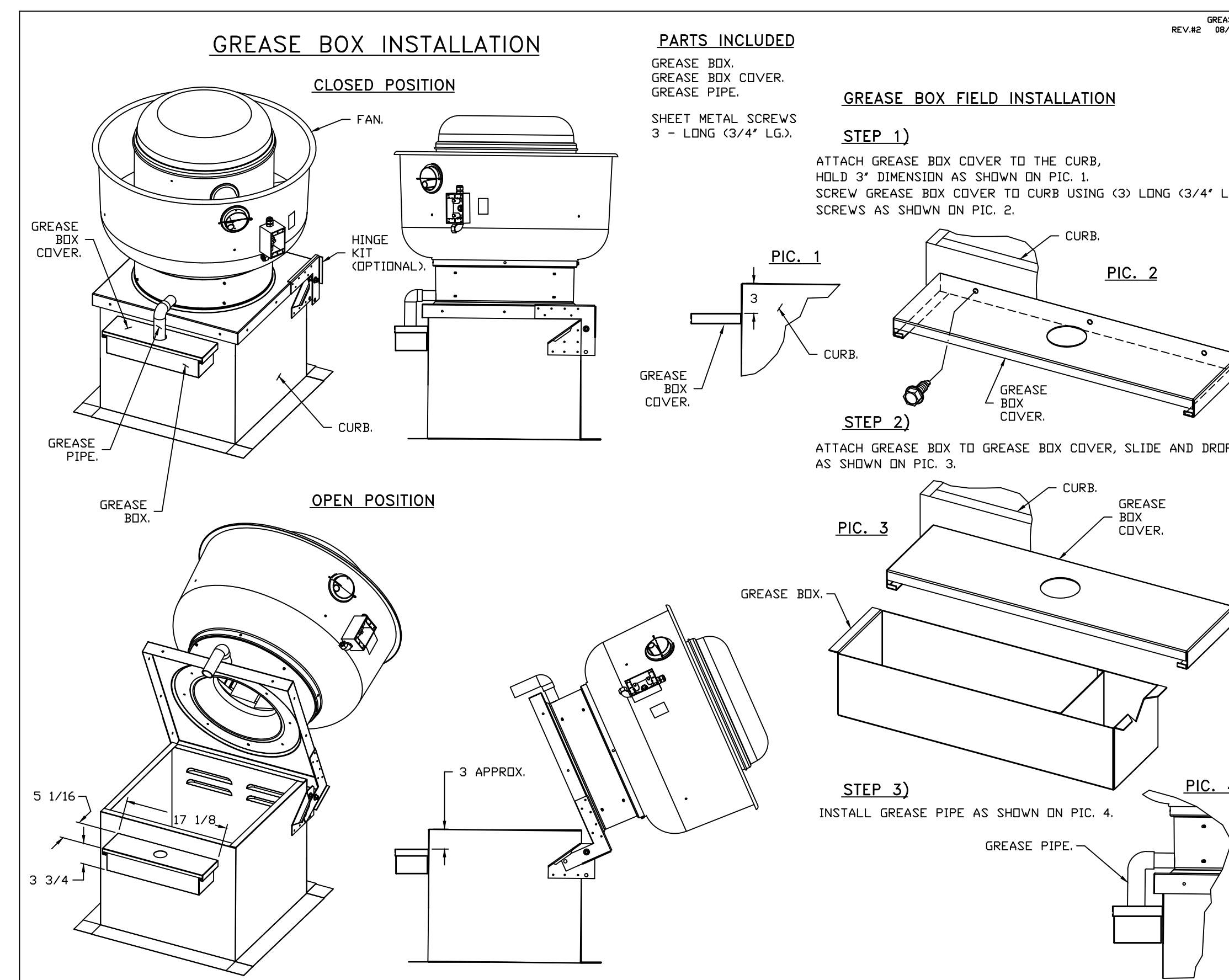
FEATURES:

- DIRECT DRIVE CONSTRUCTION (NO BELTS/PULLEYS).
- ROOF MOUNTED FANS.
- RESTAURANT MODEL.
- UL705
- VARIABLE SPEED CONTROL.
- INTERNAL WIRING.
- THERMAL OVERLOAD PROTECTION (SINGLE PHASE).
- HIGH HEAT OPERATION 300°F (149°C).

- NEMA 3R SAFETY DISCONNECT SWITCH.
NORMAL TEMPERATURE TEST
EXHAUST FAN MUST OPERATE CONTINUOUSLY WHILE EXHAUSTING AIR AT 300°F (149°C) UNTIL ALL FAN PARTS HAVE REACHED THERMAL EQUILIBRIUM, AND WITHOUT ANY DETERIORATING EFFECTS TO THE FAN WHICH WOULD CAUSE UNSAFE OPERATION.

OPTIONS

- ECM WIRING PACKAGE - MANUAL OR 0-10VDC REFERENCE SPEED CONTROL -RTC- (TELCO MOTOR), CCW ROTATION.
- UPBLAST FAN WHEEL ACCESS PORT.
- EXHAUST FAN HEAT BAFFLE.
- FAN BASE CERAMIC SEAL - SHIP LOOSE FOR GREASE DUCTS.
- 2 YEAR PARTS WARRANTY.



*NOTE: UL 705 INSTALL.

REVISIONS

NO.	DESCRIPTION	DATE

econ·air
www.econair.com

Air Solutions
1329 East Kemmer Rd., Ste. 4210, Cincinnati, OH 45246 PHONE: (513) 860-5656 EMAIL: red120@econair.com

City BBQ (Delaware)
1200 Sunbury Road,
Delaware, OH, 43015

DATE: 11/28/2022
DWG.#: 5489849
DRAWN BY: jcirilli
SCALE: 3/4" = 1'-0"
MASTER DRAWING

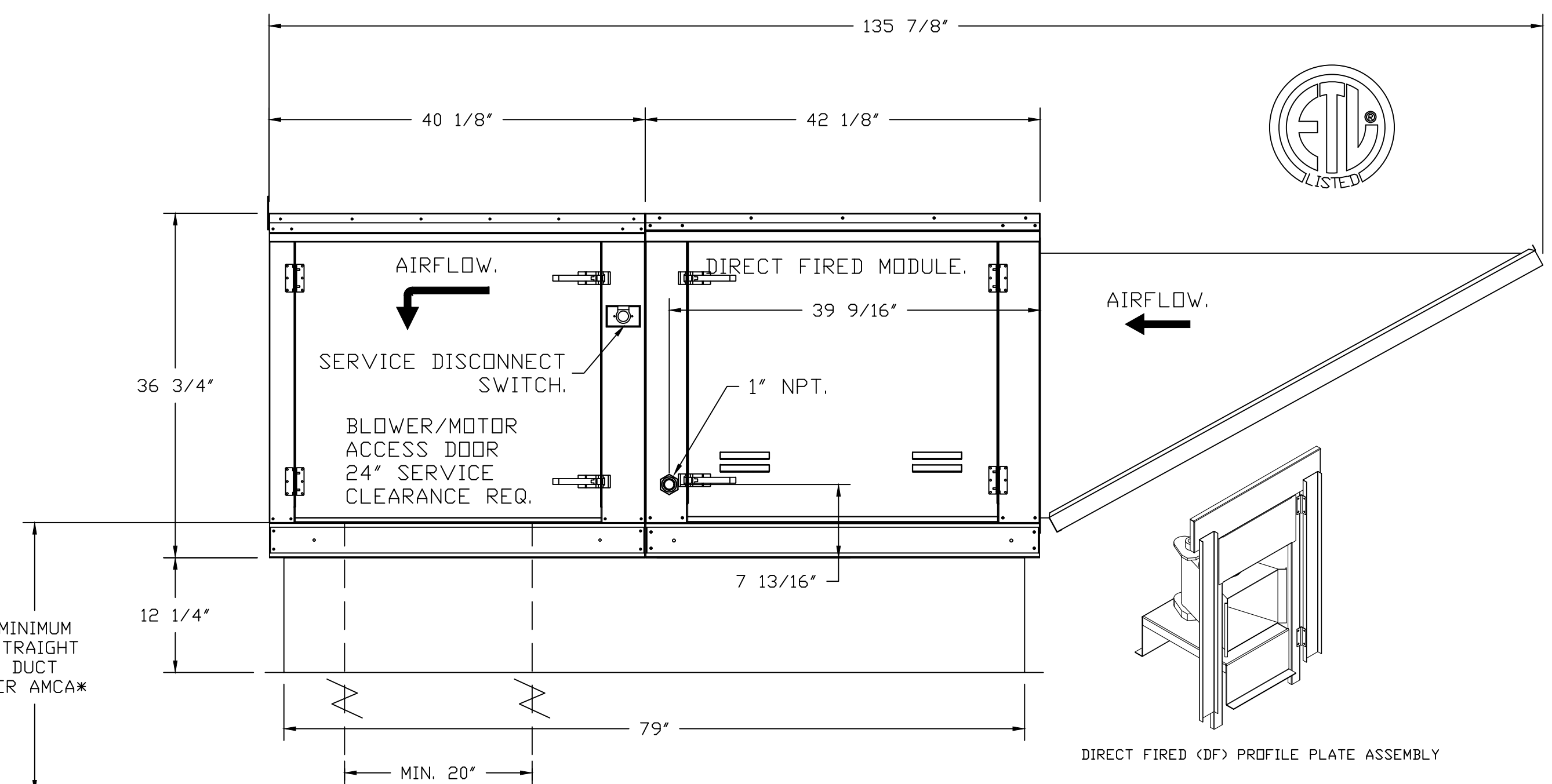
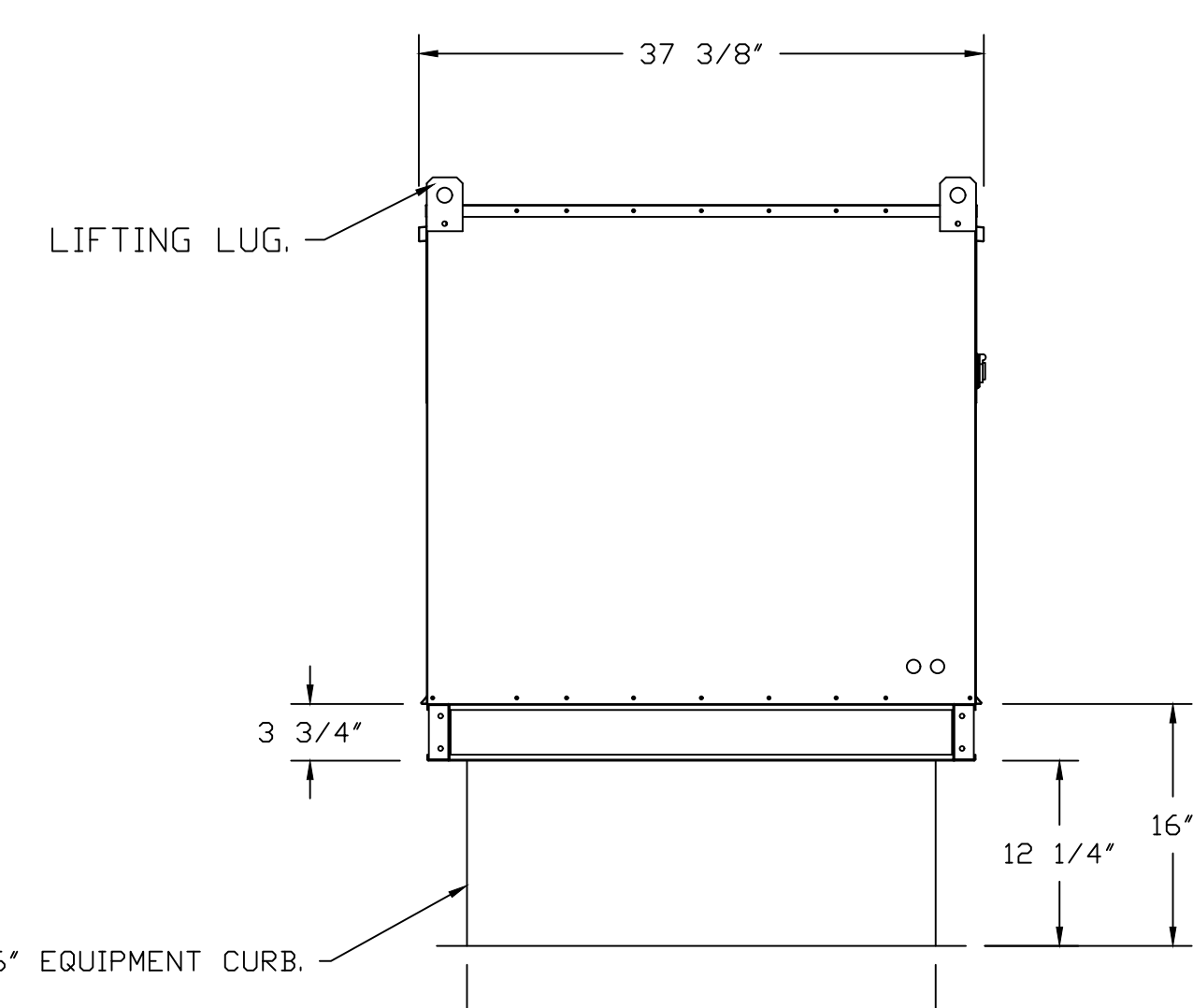
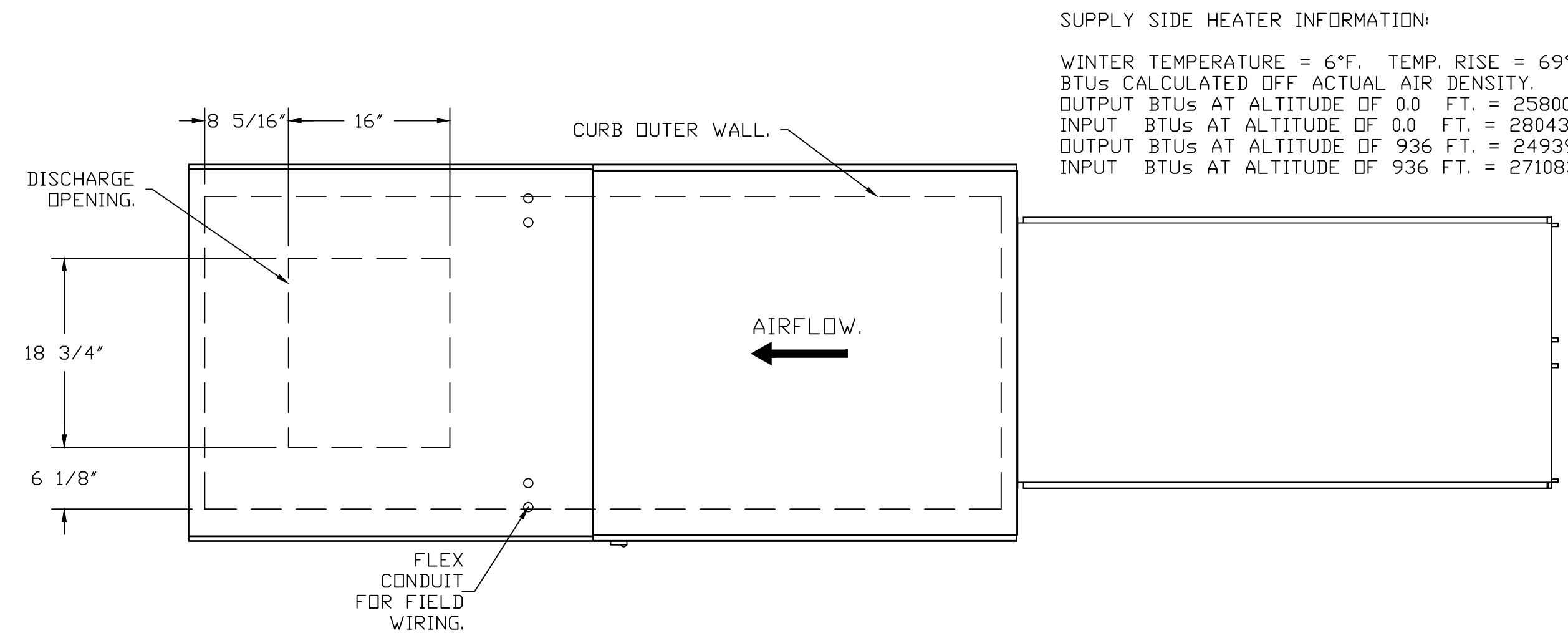
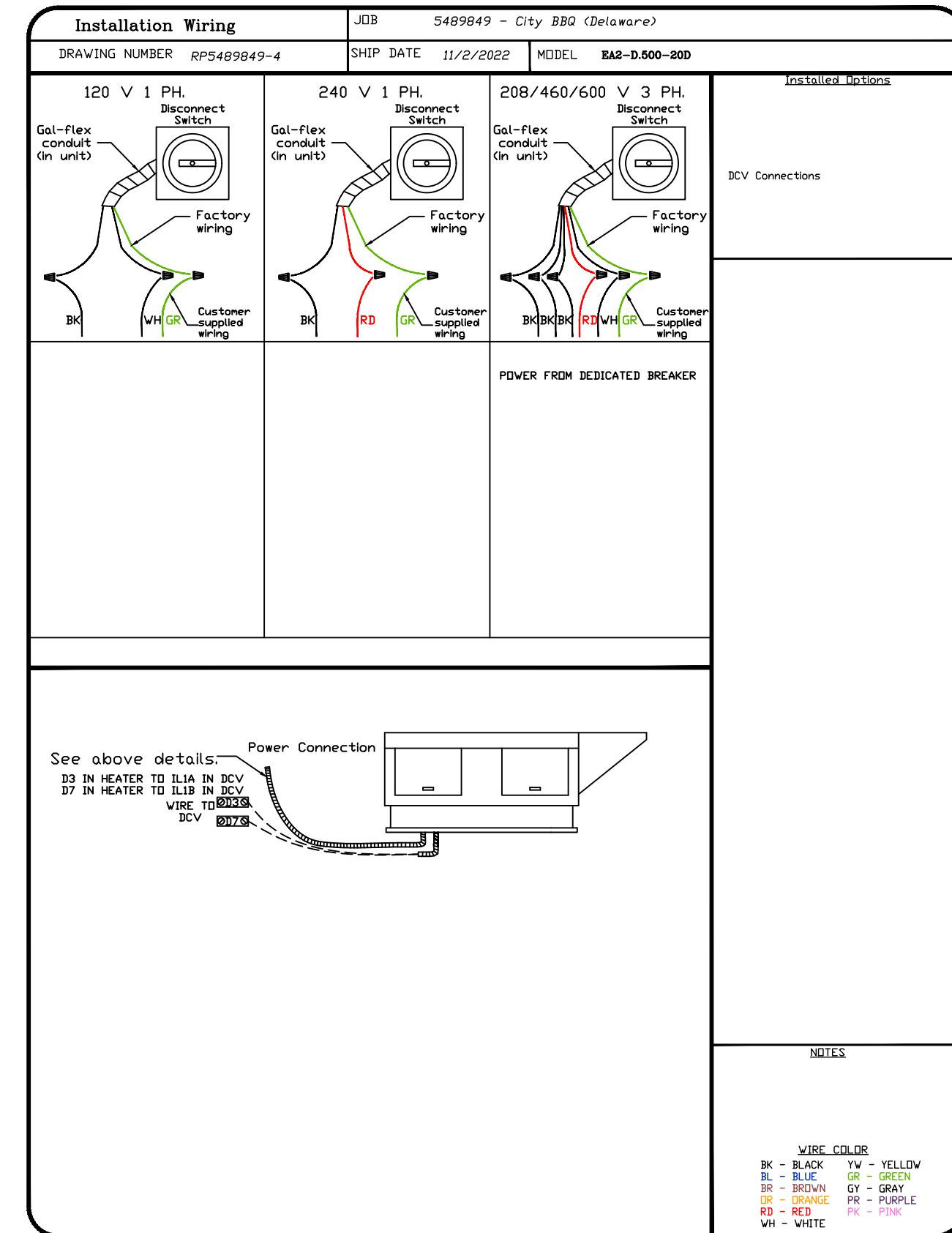
SHEET NO.
4

MUA FAN INFORMATION – JOB#5489849

FAN UNIT NO	TAG	QTY	FAN UNIT MODEL #	BLOWER	HOUSING	MIN CFM	DESIGN CFM	ESP	RPM	MOTOR ENCL	HP	BHP	PHASE	VOLT	FLA	MCA	MDCP	WEIGHT (LBS)	SDNES
4	HMU1	1	EA2-D.500-20D	20MF-2-MDD	A2-D.500	2000	3500	0.450	1353	DDP,PREMIUM	3.000	1.3920	3	208	9.5	11.9A	20A	671	11.7

GAS FIRED MAKE-UP AIR UNIT(S)

FAN UNIT NO	TAG	INPUT BTUs	OUTPUT BTUs	TEMP RISE	REQUIRED INPUT GAS PRESSURE	GAS TYPE	BURNER EFFICIENCY(%)
4	HMU1	271083	249396	69°F	7 IN. W.C. - 14 IN. W.C.	NATURAL	92



- FAN #4 EA2-D.500-20D - HEATER (HMUA1)
- DIRECT GAS FIRED HEATED MAKE UP AIR UNIT WITH 20" MIXED FLOW DIRECT DRIVE FAN.
 - INTAKE HOOD WITH EZ FILTERS.
 - DOWN DISCHARGE - AIR FLOW RIGHT -> LEFT.
 - MOTORIZED BACK DRAFT DAMPER 22.75" X 24" FOR SIZE 2 STANDARD & MODULAR HEATER UNITS W/EXTENDED SHAFT, STANDARD GALVANIZED CONSTRUCTION, 3/4" REAR FLANGE, LOW LEAKAGE, LF120S ACTUATOR INCLUDED.
 - LOW FIRE START. ALLOWS THE BURNER CIRCUIT TO ENERGIZE WHEN THE MODULATION CONTROL IS IN A LOW FIRE POSITION.
 - GAS PRESSURE GAUGE, 0-35", 2.5" DIAMETER, 1/4" THREAD SIZE.
 - GAS PRESSURE GAUGE, -5 TO +15 INCHES W.C., 2.5" DIAMETER, 1/4" THREAD SIZE.
 - SEPARATE 120VAC WIRING PACKAGE FOR MAKE-UP AIR UNITS. OPTION MUST BE SELECTED WHEN MOUNTING VFD IN PREWIRE PANEL OR WITH DCV PACKAGE. PROVIDES SEPARATE 120VAC INPUT TO SUPPLY FAN. THIS 120V SIGNAL MUST BE RUN BY ELECTRICIAN FROM DCV TO MUA SWITCH.
 - PROFILE PLATE CONFIGURATION FOR SIZE 2 DIRECT FIRED UNIT FOR LOW CFM APPLICATIONS.
 - DOWN DISCHARGE CONSTRUCTION FOR SIZE 2 DIRECT DRIVE AHUS.
 - HINGED DOUBLE WALL INSULATED DOOR ASSEMBLY (BURNER/BLOWER SECTION).
 - 2 YEAR PARTS WARRANTY

*NOTE: SUPPLY DUCT MUST BE INSTALLED TO MEET SMACNA STANDARDS. A MINIMUM STRAIGHT DUCT LENGTH MUST BE MAINTAINED DOWNSTREAM OF UNIT DISCHARGE AS OUTLINED IN AMCA PUBLICATION 201. WHEN USING RECTANGULAR DUCTWORK, ELBOWS MUST BE RADIUS THROAT, RADIUS BACK WITH TURNING VANES. FLEXIBLE DUCTWORK AND SQUARE THROAT/SQUARE BACK ELBOWS SHOULD NOT BE USED. ANY TRANSITION AND/OR TURNS IN THE DUCTWORK WILL CAUSE SYSTEM EFFECT. SYSTEM EFFECT WILL DRASTICALLY INCREASE STATIC PRESSURE AND REDUCE AIRFLOW. DO NOT RELY ON UNIT TO SUPPORT DUCT IN ANY WAY. FAILURE TO PROPERLY SIZE DUCTWORK MAY CAUSE SYSTEM EFFECTS AND REDUCE PERFORMANCE OF THE EQUIPMENT. SUGGESTED STRAIGHT DUCT SIZE IS 20" x 20".

REVISIONS

DESCRIPTION	DATE

econ-air
 Air Solutions
 www.econair.com
 1329 East Kemper Rd., Ste. 4210, Cincinnati, OH, 45246 PHONE: (513) 860-5555 EMAIL: reg120@econair.com

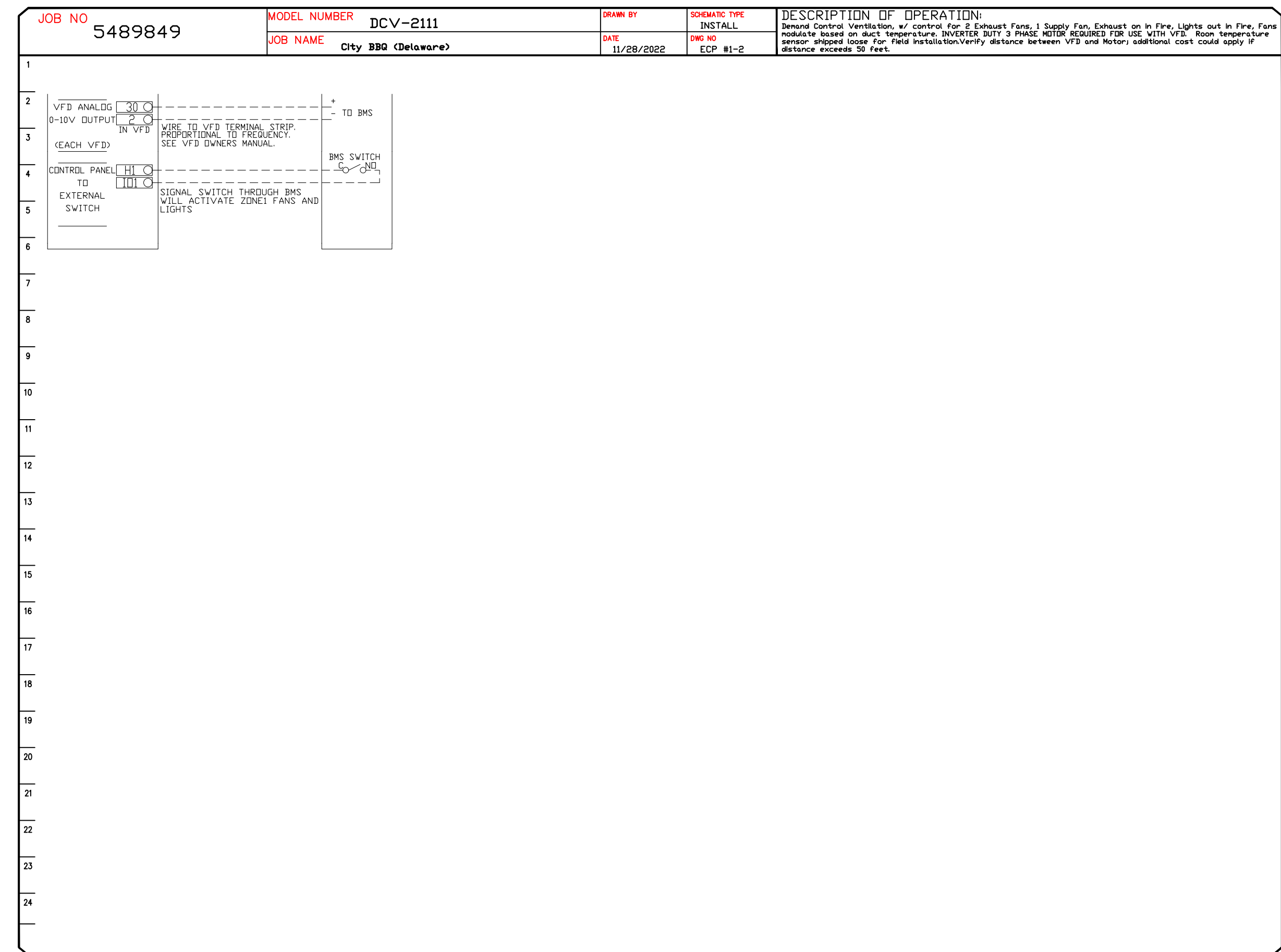
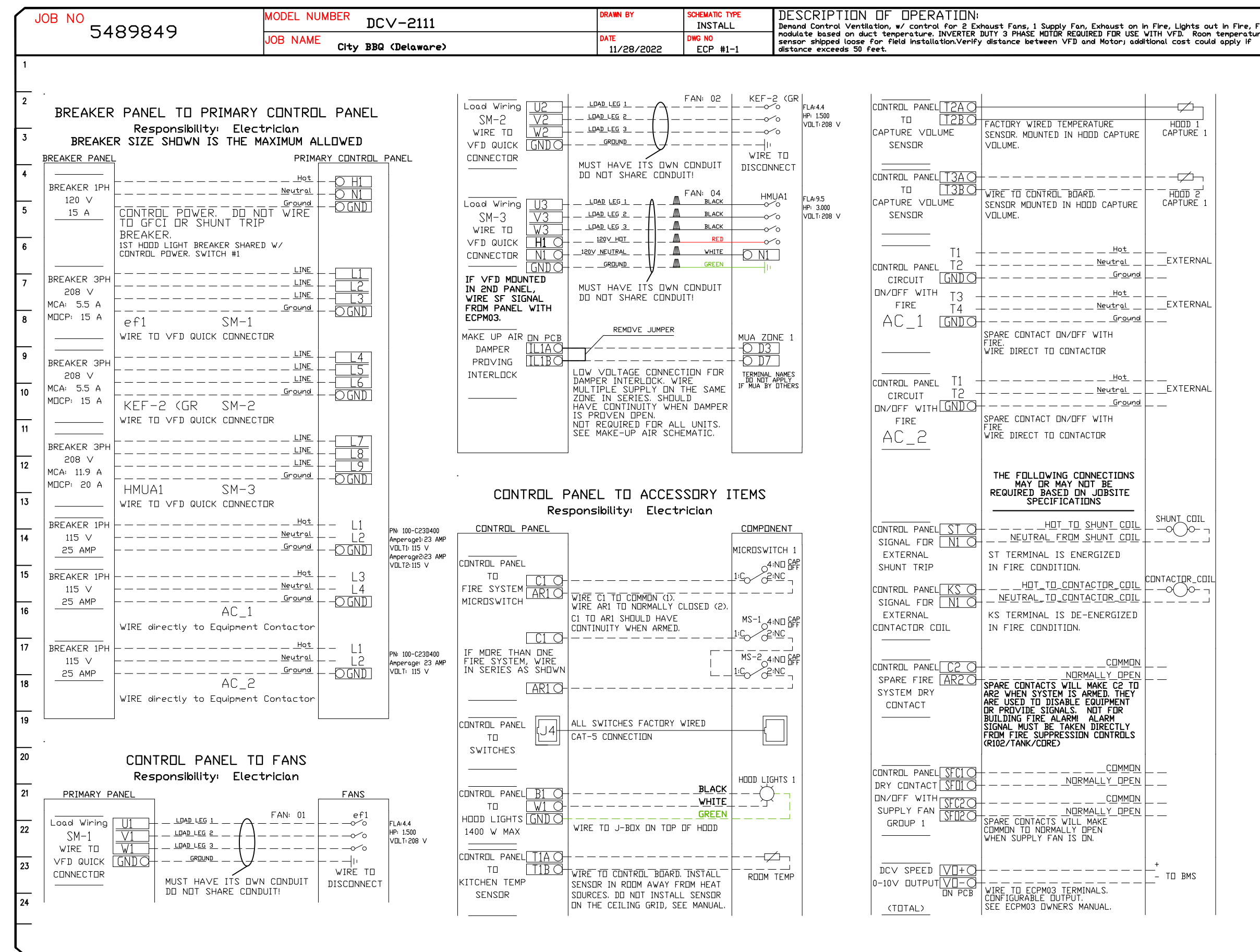
City BBQ (Delaware)
 1200 Sunbury Road,
 Delaware, OH, 43015

DATE: 11/28/2022
 DWG.#: 5489849
 DRAWN BY: jcirilli
 SCALE: 3/4" = 1'-0"
 MASTER DRAWING

SHEET NO. 5

ELECTRICAL PACKAGE - JOB#5489849

NO	TAG	PACKAGE #	LOCATION	SWITCHES		OPTION	FANS CONTROLLED					
				LOCATION	QUANTITY		FAN TAG	TYPE	HP	VOLT	FLA	
1	EP-1	DCV-2111	UTILITY CABINET RIGHT	04 - UTILITY CABINET RIGHT	1 LIGHT	SMART CONTROLS DCV	KEF-1(Kettle)	EXHAUST	3	1,500	208	4.4
				HOOD # 1	1 FAN		HMUAI	SUPPLY	3	3,000	208	9.5



REVISIONS

NO	DESCRIPTION	DATE



City BBQ (Delaware)
1200 Sunbury Road,
Delaware, OH, 43015

DATE: 11/28/2022

DWG.#:
5489849

DRAWN BY:
jcirilli

SCALE:
3/4" = 1'-0"

MASTER DRAWING

SHEET NO.
6