

Date	December 20, 2024
Hoffman & Hoffman Order #	470.477.10239
Branch Office	Charlotte, NC
Salesman	Spencer Jones



PROJECT: **Clover High School-9th Grade Fine Art Addition
Clover, SC**

CONTRACTOR: **Action Mechanical
Charlotte, NC**

ENGINEER: **Swygert & Associated
Columbia, SC**

EQUIPMENT: **Exhaust Fans & Accessories by Cook**

PER LATEST DRAWINGS: 3/18/2024

General Notes:

Above per the attached data and cut sheets

- Exhaust fans include materials of construction, accessories and options as per the attached cut sheets.
- Motor horsepower and electrical voltage must be confirmed.
- We don't include any controls, motor starters, dampers of any kind, shaft grounding seismic construction, high wind rated construction, painted finishes or coatings, pitched or metal building roof curbs, rigging, or wiring.

SUBMITTAL

APPROVAL REQUIRED

HOFFMAN & HOFFMAN, INC.
HVAC Manufacturers Representative

Website: www.hoffman-hoffman.com

Asheville, NC (828) 252-5782	Charleston, SC (843) 884-3201
Charlotte, NC (704) 364-4700	Columbia, SC (803) 765-9360
Raleigh, NC (919) 781-8011	Greenville, SC (864) 676-1888
Wilmington, NC (910) 791-4775	Chesapeake, VA (757) 548-1700
Chattanooga, TN (423) 693-2890	Richmond, VA (804) 272-1500
Knoxville, TN (865) 450-9770	Roanoke, VA (540) 725-8701
Corporate: Greensboro, NC (336) 292-8777	

We have exercised care in the preparation of this submittal. We believe it satisfies our interpretation of the designer's intent and scope. It contains the list of materials, quantities, sizes, style and the finish as we propose to furnish for this job. Please examine and check carefully that all items are exactly as required and that our interpretation of the applicable plans and/or specifications are consistent with the design. Approval by the engineer and purchaser will be required before release of this equipment for production. If any discrepancies are discovered, please notify us as soon as possible.



COOK

SUBMITTAL

PROJECT: CLOVER HIGH SCHOOL FINE ARTS ADDITION

SUBMITTED BY: Spencer Jones
Hoffman & Hoffman
1133 Upper Asbury Ave
Charlotte, NC 28206

PHONE: 704-364-4700
E-MAIL: spencer.jones@hoffman-hoffman.com

DATE: 12/20/2024

LOREN COOK COMPANY



Corporate Offices: 2015 E. Dale Street, Springfield, MO 65803 • P.O. Box 4047, Springfield, MO 65808
417.869.6474 • fax 417.869.2520
lorencook.com



COOK



MARK: REF-1

PROJECT: CLOVER HIGH SCHOOL FINE ARTS ADDITI...

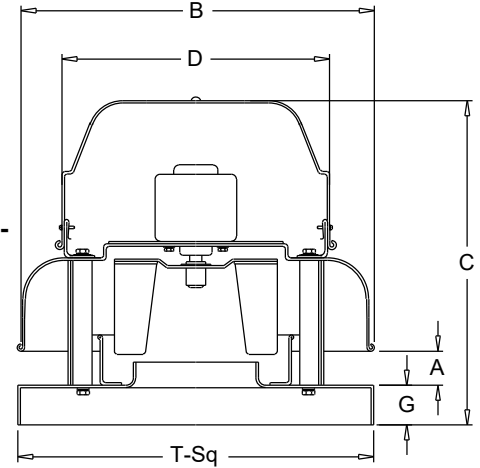
DATE: 12/20/2024

ACE-D

**Downblast Centrifugal
Exhaust Ventilator
Roof Mounted/Direct Drive**

STANDARD CONSTRUCTION FEATURES:

All aluminum housing - Backward inclined all aluminum wheel - Two piece top cap with stainless steel quick release latches (sizes 120 - 300) - Welded curb cap corners - Birdscreen - Permanently lubricated ball bearing motors - Corrosion resistant fasteners - Transit tested packaging.



Performance

Qty	Catalog Number	Flow (CFM)	SP (inwc)	Fan RPM	Input Watts	FEG	Speed Control
1	100C15DH	400	.644	1513	118	n/a(<1HP)	FSC

Altitude (ft): 768 Temperature (F): 70

Motor Information

HP	RPM	Volts/Ph/Hz	Enclosure	TOL
1/8	1550	115/1/60	ODP -SE	Yes

Sound Data Inlet Sound Power by Octave Band

1	2	3	4	5	6	7	8	LwA	dBA	Sones
71	72	79	66	59	57	53	50	72	60	10.2

- Distance from Sound source 5 ft

Accessories:

- DISCONNECT NEMA 1 PRE-WIRED
- BD-12 DAMPER
- ROOF CURB RCG 16 18H -C-T+N
- FAN SPEED CONTROLLER 5 AMP 120 VOLT

Dimensions (inches)

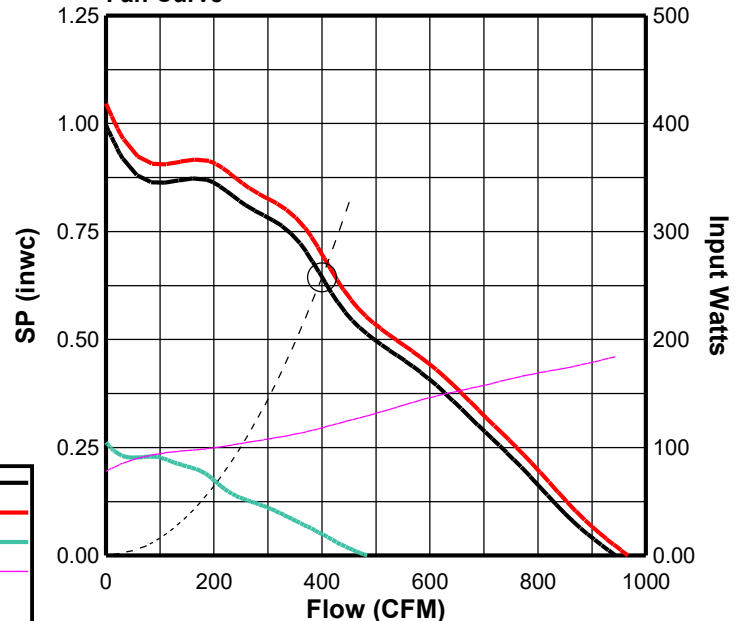
A	2-1/2
B O.D.	18-3/4
C	16-13/16
D O.D.	16-3/4
G	2
T Sq.	18
Roof Open. Sq.*	13-1/2

NOTE: Accessories may affect dimensions shown.

Weight(lbs)***	Shipping	67	Unit	59
----------------	----------	----	------	----

* Roof opening size for curbs supplied by Cook only.
***Includes fan, motor & accessories.

Fan Curve



Fan Curve Legend

CFM vs SP (1513)	—
100% FSC (1550)	—
Min FSC (775)	—
CFM vs Watts	—
Point of Operation	○
System Curve	---



COOK



MARK: REF-1

PROJECT: CLOVER HIGH SCHOOL FINE ARTS ADDITI...

DATE: 12/20/2024

ACE-D

Performance

Catalog Number	Flow (CFM)	SP (inwc)	Fan RPM	Input Watts	FEG	OVEL (fpm)	TSPD (fpm)	SE	Temp (°F)	ALT (ft)
100C15DH	400	.644	1513	118	n/a(<1HP)	467	3961	85%	70	768

Sound Data Inlet Sound Power by Octave Band

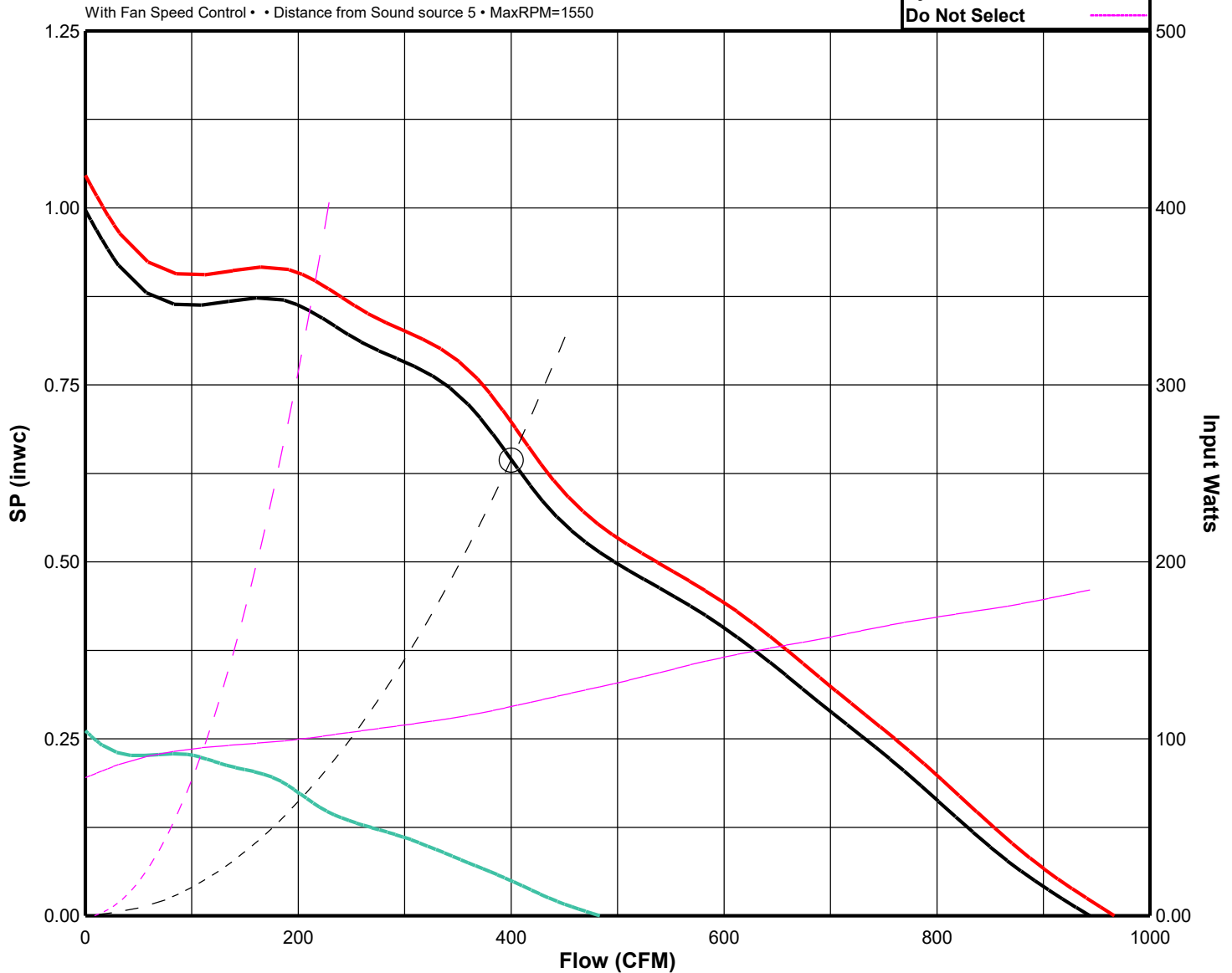
1	2	3	4	5	6	7	8	LwA	dBA	Sones
71	72	79	66	59	57	53	50	72	60	10.2

Motor Information

HP	RPM	Volts/Ph/Hz	Enclosure	TOL
1/8	1550	115/1/60	ODP -SE	Yes

Fan Curve Legend

CFM vs SP (1513)	—
100% FSC (1550)	—
Min FSC (775)	—
CFM vs Watts	—
Point of Operation	○
System Curve	---
Do Not Select	---





COOK

ACE-D

MARK: REF-1

PROJECT: CLOVER HIGH SCHOOL FINE ARTS ADDITI...

DATE: 12/20/2024

AMCA License Information

Loren Cook Company certifies that the 100C15DH shown herein is licensed to bear the AMCA Seal. The ratings shown are based on tests and procedures performed in accordance with AMCA Publication 211 and AMCA Publication 311 and comply with the requirements of the AMCA Certified Ratings Program.

Performance certified is for installation type A: free inlet, free outlet. Speed (RPM/RPS) shown is nominal. Performance is based on actual speed of test. Performance ratings do not include the effects of appurtenances (accessories). The sound ratings shown are loudness values in hemispherical sones at 5 ft. in a hemispherical free field calculated per AMCA Standard 301. Values shown are for Installation type A: free inlet hemispherical sone levels. The AMCA International licensed air and/or sound performance data has been modified for installation, appurtenances or accessories, etc. not included in the certified data. The modified performance is not AMCA licensed but is provided to aid in selection and applications of the product.

The sound power level ratings shown are in decibels, referred to 10(-12) watts calculated per AMCA Standard 301. Values shown are for inlet Lwi and LwiA sound power levels for installation type A: free inlet, free outlet. Ratings do not include the effects of duct end correction. The A-weighted sound ratings shown have been calculated per AMCA Standard 301. The dBA levels shown have been calculated for a distance of 5 ft in a hemispherical free field. The AMCA Certified Ratings Seal applies to sone ratings only. Octave Band, LwA and dBA levels are not AMCA International licensed.





BD

Gravity Backdraft Damper

STANDARD CONSTRUCTION FEATURES:

.020 Aluminum blades - .060 aluminum frame -
Aluminum hinge pins - Nylon bushings.

Notes:

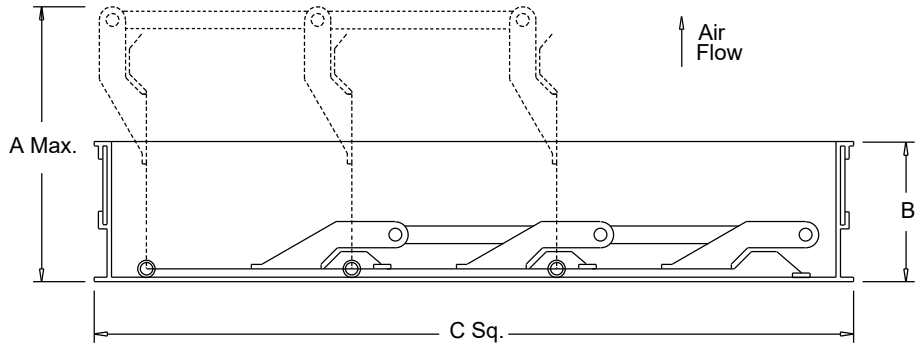
Max. operating temperature 200 Deg F (95 Deg C).

Max. discharge velocity 2000 fpm.

Sizes 36 thru 60 are shipped as 2 panels.

Sizes 66 and 78 are shipped as 6 panels.

These may require assembly.



Dimensions (inches)

Mark	Qty	Description	A Max.	B	C Sq.	# Panels
REF-1	1	BD-12 DAMPER	5-3/16	1-7/8	11-3/4	1



RCG

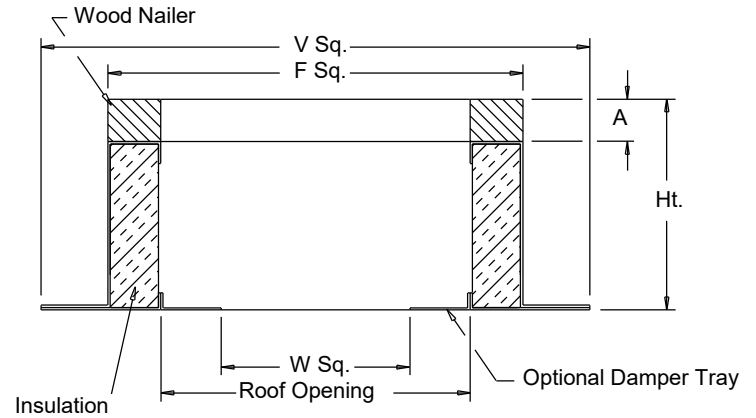
Galvanized Steel Roof Curb

STANDARD CONSTRUCTION FEATURES:

18 gauge galvanized steel - 1-1/2",
3 lbs. density thermal and acoustical
insulation - Continuously welded corners -
Wood nailer.

Options:(As noted below*)

- 1) No wood nailer (deduct 1-1/2" for actual height).
- 2) Damper tray.
- 3) Liner.
- 4) Gasket on wood nailer.
- 5) Lorenized coating.
- 6) Enamel coating.
- 7) Burglar bars.



Dimensions (inches)

Mark	Qty	Description	Ht	Options*	A	F Sq.	V Sq.	W Sq.	Roof Opening
REF-1	1	RCG 16	18	-	1-1/2	16-1/2	20-1/2	9-3/4	13-1/2



FSC

Fan Speed Controls

STANDARD CONSTRUCTION FEATURES:

PRODUCT DESCRIPTION - Through the "Quadrac" integrated semi-conductor device it is now possible to offer this system with many advantages. Fewer semi-conductor parts mean greater reliability and the passivation process used in the manufacture of the semi-conductor insures long life.

Printed circuit construction eliminates wiring difficulties and guarantees workmanship.

All of these factors serve to offer the most important of all features - quality.

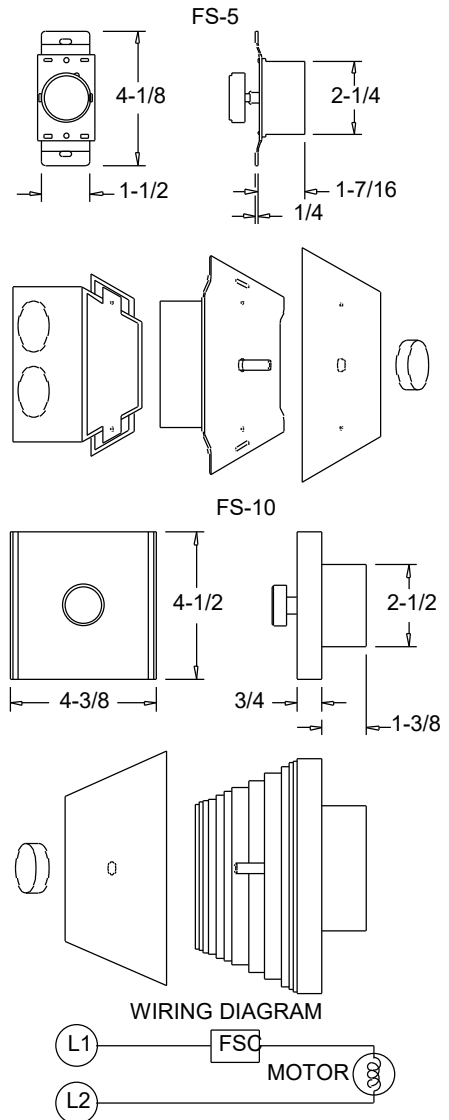
SPEED CONTROL - Positive Off/On action in the control dial. Speed range set to the customer's requirements. **CONTROL RATING** - 120 volts, 60 cycles, 1 phase. Maximum ambient temperature - 120 degree F (5 AMP, 10 AMP, 15 AMP). 220/240 volt, 50/60 cycles, 1 phase. Maximum ambient temperature - 120 degree F (5 AMP, 10 AMP). 220/240 volt model not UL listed. Fan cannot have UL listing if furnished with prewired 220/240 volt FSC. 277 volt, 60 cycles, 1 phase.

Maximum ambient temperature - 120 degree F (5 AMP). **WARNING** - Power must be turned off before installing this unit. **STANDARD INSTALLATION** - Fits any standard single gang box.

Turn off power and connect the two wires on the control to the two switch wires in the usual manner. The connection box is not supplied. **SPECIAL FEATURES** - Complete range control, solid state "Quadrac" integrated circuitry, solid state construction for long reliable operating life, saves on electric bills.

Dimensions (inches)

Mark	Qty	Description
REF-1	1	FSC 5 AMP 120 VOLT





COOK

MARK: REF-1

PROJECT: CLOVER HIGH SCHOOL FINE ARTS ADDITI...

DATE: 12/20/2024

Limited Warranty

Loren Cook Company warrants that your Loren Cook fan was manufactured free of defects in materials and workmanship, to the extent stated herein. For a period of one (1) year after date of shipment, we will replace any parts found to be defective without charge, except for shipping costs which will be paid by you.

This warranty is granted only to the original purchaser placing the fan in service.

This warranty is void if the fan or any part thereof has been altered or modified from its original design or has been abused, misused, damaged or is in worn condition or if the fan has been used other than for the uses described in the company manual. This warranty does not cover defects resulting from normal wear and tear.

To make a warranty claim, notify Loren Cook Company, General Offices, 2015 East Dale Street, Springfield, Missouri 65803-4637, explaining in writing, in detail, your complaint and referring to the specific model and serial numbers of your fan. Upon receipt by Loren Cook Company of your written complaint, you will be notified, within thirty (30) days of our receipt of your complaint, in writing, as to the manner in which your claim will be handled. If you are entitled to warranty relief, a warranty adjustment will be completed within sixty (60) business days of the receipt of your written complaint by Loren Cook Company.

This warranty gives only the original purchaser placing the fan in service specifically the right. You may have other legal rights which vary from state to state.

For fans provided with motors, the motor manufacturer warrants motors for a designated period stated in the manufacturer's warranty. Warranty periods vary from manufacturer to manufacturer. Should motors furnished by Loren Cook Company prove defective during the designated period, they should be returned to the nearest authorized motor service station. Loren Cook Company will not be responsible for any removal or installation costs.