



1 HVAC FLOOR PLAN
M1.0 1/4" = 1'-0"

PERMITTING NOTE:

ALL REFRIGERATION EQUIPMENT INCLUDING WALK-IN COOLERS AND REFRIGERATORS WILL BE SUBMITTED UNDER A SEPARATE PERMIT.

SHEET GENERAL NOTE:

MECHANICAL CONTRACTOR SHALL ADJUST ALL LINEAR SLOT DIFFUSERS TO A GENERALLY VERTICAL FLOW. ADJUSTMENT SHALL BE MADE SO AS TO AVOID AIRFLOWS ON SENSORS, REFRIGERATION CASES, OR OPEN FOOD REFRIGERATION EQUIPMENT.

FLOOR PLAN KEYNOTES

- 1 REMOVE TEST STATION FOR SMOKE DETECTORS FOR RTU-1, 2, & 3. TEST STATION TO BE MOUNTED ON THE MANAGER'S OFFICE WALL. SECURITY CONTRACTOR SHALL WIRE RTU FACTORY MOUNTED SMOKE DETECTORS TO SECURITY/FIRE ALARM PANEL. MECHANICAL CONTRACTOR SHALL PROVIDE TEST STATION AND WIRING BETWEEN COMPONENTS AS WELL AS WIRING TO SHUT DOWN THE A/C FAN UPON ACTIVATION OF THE SMOKE DETECTOR. G.C. TO TEST THE SMOKE DETECTOR FUNCTIONS WITH THE WAWA PROJECT MANAGER.
- 2 WALL MOUNTED SENSOR(S) FOR EACH MECHANICAL UNIT PER ROOFTOP UNIT SCHEDULE ON SHEET M3.0. G.C. SHALL INSTALL AND WIRE TO UNIT. BAS CONTRACTOR SHALL CONNECT TO MECHANICAL UNIT ONLY.
- 3 COORDINATE EXACT LOCATION OF EXHAUST FAN PENETRATO WITH ARCHITECTURAL FLOOR PLAN. INSTALL GALVANIZED DUCT WORK DOWN FROM FAN, INTO CEILING/JOIST SPACE, AND CONNECT TO CEILING GRILLES.
- 4 REFER TO TYPICAL DUCT PLENUM DETAIL ON SHEET M3.0.
- 5 COORDINATE DUCT WITH STRUCTURE IN THIS LOCATION. COORDINATE TAKEOFF LOCATIONS WITH ANGELED WEB MEMBERS AND SUPPORT AT PANEL POINT.
- 6 PROVIDE SURFACE MOUNT ADAPTER FRAME TO ALLOW ACCESS TO CEILING ABOVE THROUGH DIFFUSER OPENING. SEE AIR DEVICE SCHEDULE.
- 7 ROUTE DUCT UNDER STRUCTURAL MEMBERS AT THIS LOCATION.
- 8 DUCTWORK TO RUN WITHIN JOIST SPACING. MECHANICAL CONTRACTOR TO COORDINATE MECHANICAL WORK WITH ALL TRADES PRIOR TO INSTALLATION.
- 9 DUCT TAKEOFF WITH DAMPER FROM BOTTOM OF MAIN DUCT.
- 10 TRANSFER DUCT ASSEMBLY.
- 11 NOT USED.
- 12 12"x6" EXTERIOR WALL WIND DRIVEN RAIN LOUVER MODEL EWH-601 AS MANUFACTURED BY GREENHECK. INSTALL PER MANUFACTURERS RECOMMENDED INSTALLATION INSTRUCTIONS. PROVIDE WITH BIRD SCREEN, 1-1/2" FLANGE, AND ALUMINUM MILL FINISH.
- 13 EMERGENCY SHUTOFF SWITCH AND WALL PLACARD INDICATING VENTILATION SYSTEM EMERGENCY SHUTOFF PROVIDED BY OTHERS. REFERENCE ELECTRICAL AND ARCHITECTURAL DRAWINGS.
- 14 INSTALL EXHAUST FAN PER DETAIL SHEET M3.0. FAN SHALL BE WIRED TO EMERGENCY SHUTOFF SWITCH PROVIDED BY OTHERS. REFERENCE ARCHITECTURAL AND ELECTRICAL DRAWINGS.
- 15 MOUNT CENTER OF EXHAUST GRILLE AT 12" ABOVE FINISHED FLOOR. ROUTE DUCT SIZED AS SHOWN FROM GRILLE. UP IN WALL CAVITY TO ABOVE CEILING, THEN TO EXHAUST FAN AND OUT TO EXTERIOR WALL LOUVER. COORDINATE DUCT ROUTING WITH ALL OTHER TRADES.
- 16 HEATER SHALL BE A MINIMUM OF 12" AWAY FROM ANY WALL.

2600 Maitland Center Parkway
Suite #200
Maitland, FL 32751
P (407) 661-9100
F (407) 661-9101
c-p.com
Florida Certified Professional Engineer

JOSE J. DIAZ-VELAZQUEZ
PROFESSIONAL ENGINEER



COPYRIGHT ©: All reports, plans, specifications, computer files, field data, notes and other documents are instruments of service prepared by C&P Engineers, C&P P.E. Instruments of service remain the property of C&P. C&P shall retain all common law, statutory and other reserved rights, including the copyright therein. Any use or reproduction of the document without written permission from C&P is a violation of Federal copyright laws.

CLIENT NAME
WAWA
260 W. BALTIMORE PIKE
WAWA, PA 19083

PROJECT NAME
1/15/2022.1
STORE #8700
SILOAM ROAD & MONMOUTH ROAD,
FREEHOLD TOWNSHIP, NJ

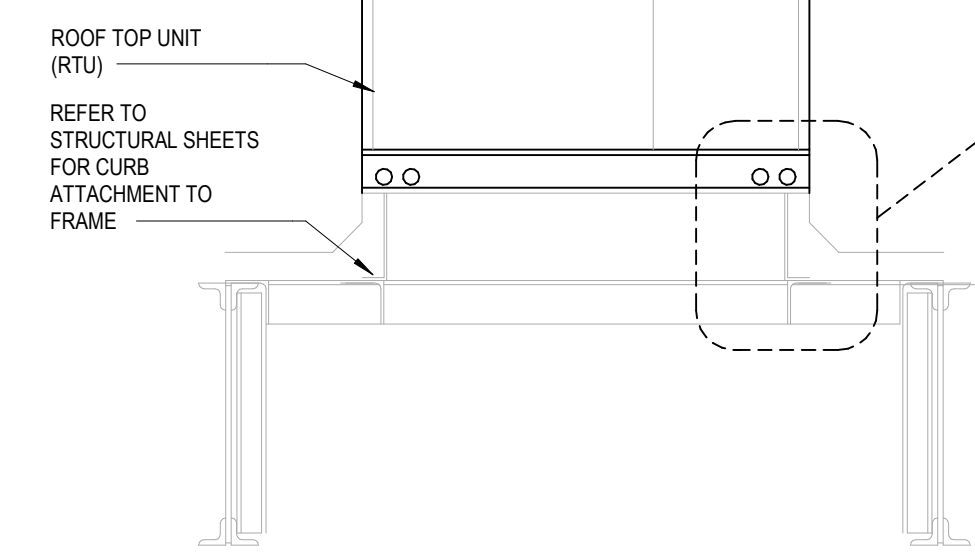
SHEET TITLE
HVAC FLOOR PLAN

Revision Schedule	
No.	Date
1	10/23/2023
2	05/09/2024
3	05/30/2024
4	11/15/2024

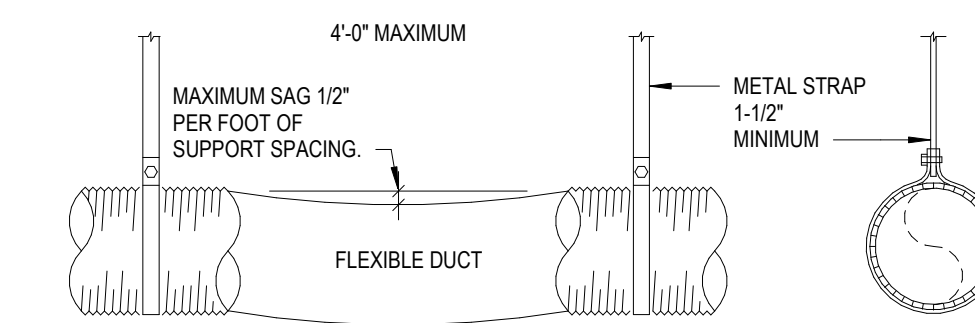
PROJECT NO. 220623	DATE 10-23-2023	DRAWN JOF	CHECKED ESD
-----------------------	--------------------	--------------	----------------

M1.0

BUILDING LOCATION	WIND SPEED ZONE (IMC FIGURE 1609A)
FREEHOLD TOWNSHIP, NJ	115 MPH

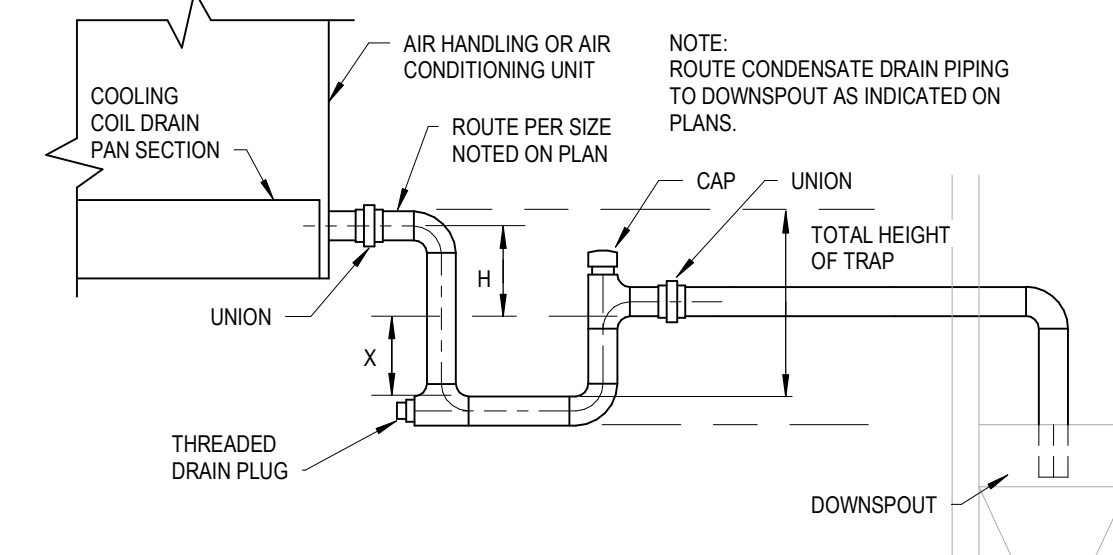


12 HVAC RTU TIE-DOWN DETAIL
M2.0 NOT TO SCALE



- NOTES:**
- DUCT SHOULD EXTEND STRAIGHT FOR SEVERAL INCHES FROM A CONNECTION BEFORE BENDING.
 - SUPPORT SYSTEM MUST NOT DAMAGE DUCT OR CAUSE OUT OF ROUND SHAPE.

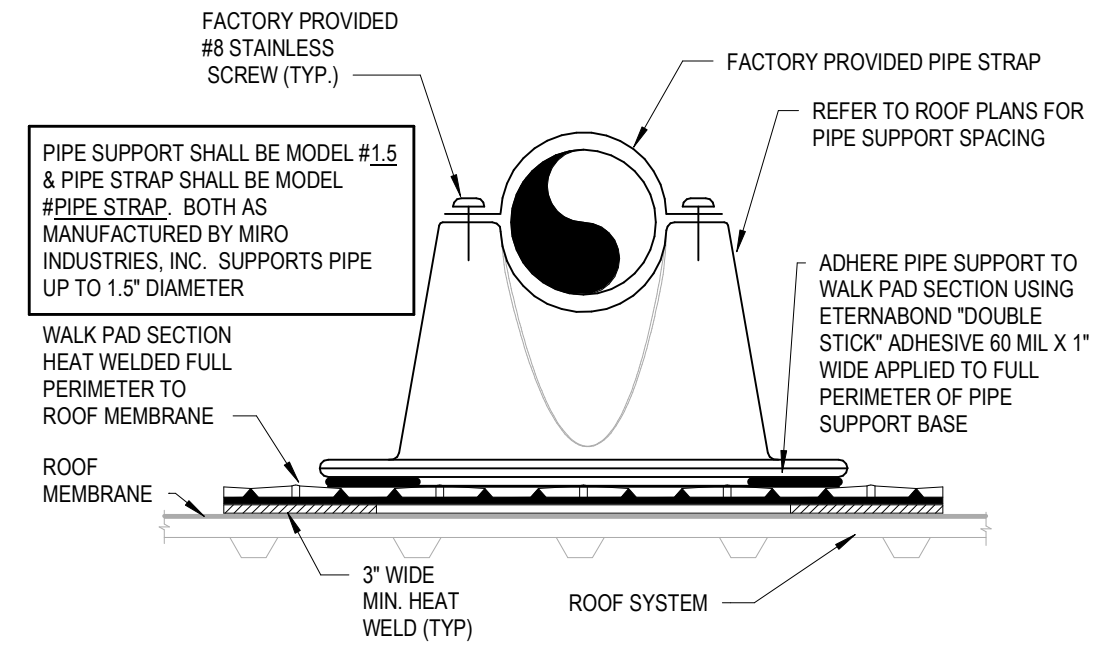
8 HVAC FLEX DUCT SUPPORT DETAIL
M2.0 NOT TO SCALE



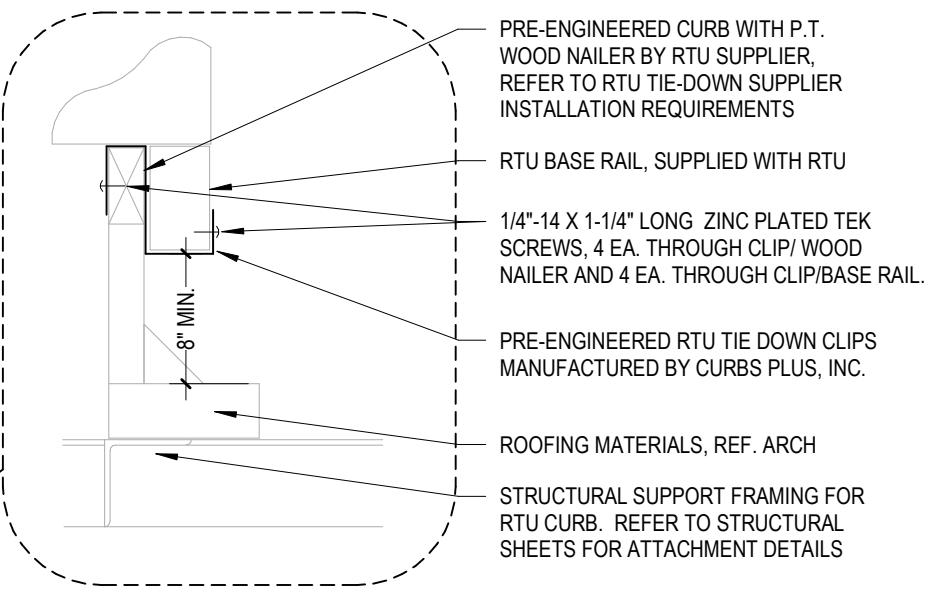
DRAIN TRAPPING HEIGHT		
FAN ARRANGEMENT	H	X
BLOW-THRU (POSITIVE STATIC PRESSURE)	A	B
DRAW-THRU (NEGATIVE STATIC PRESSURE)	D	C

TOTAL HEIGHT OF TRAP = X + H + (1.5 x PIPE DIAMETER) (WITHOUT INSULATION)

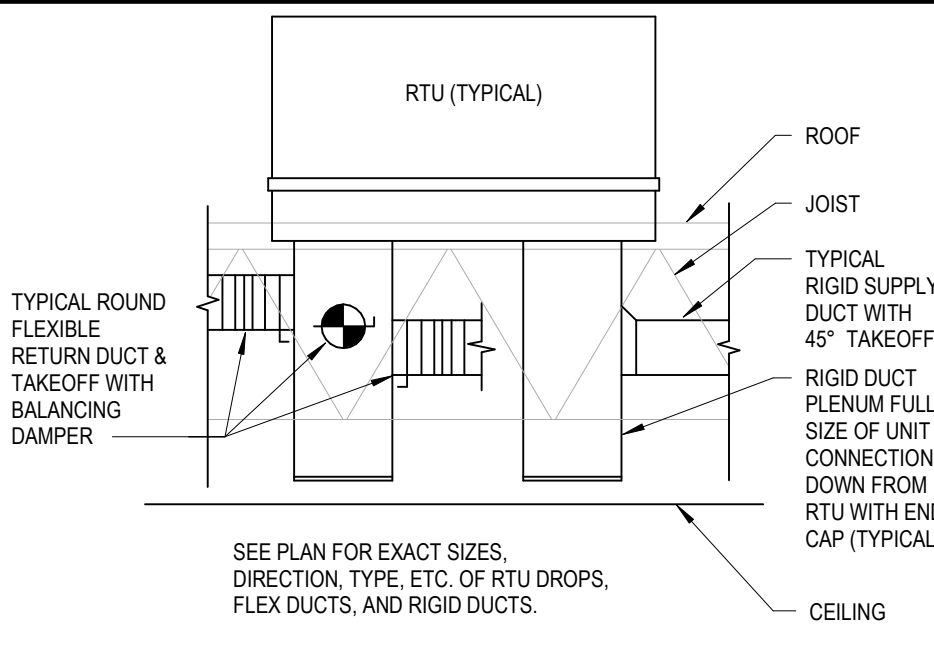
4 HVAC CONDENSATE DRAIN DETAIL
M2.0 NOT TO SCALE



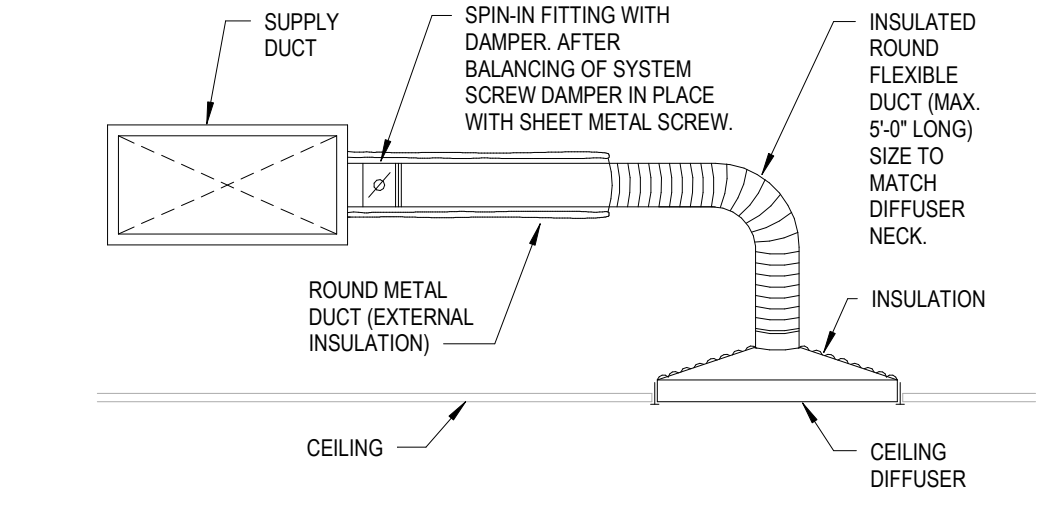
2 PIPE ROOF SUPPORT DETAIL
M2.0 NOT TO SCALE



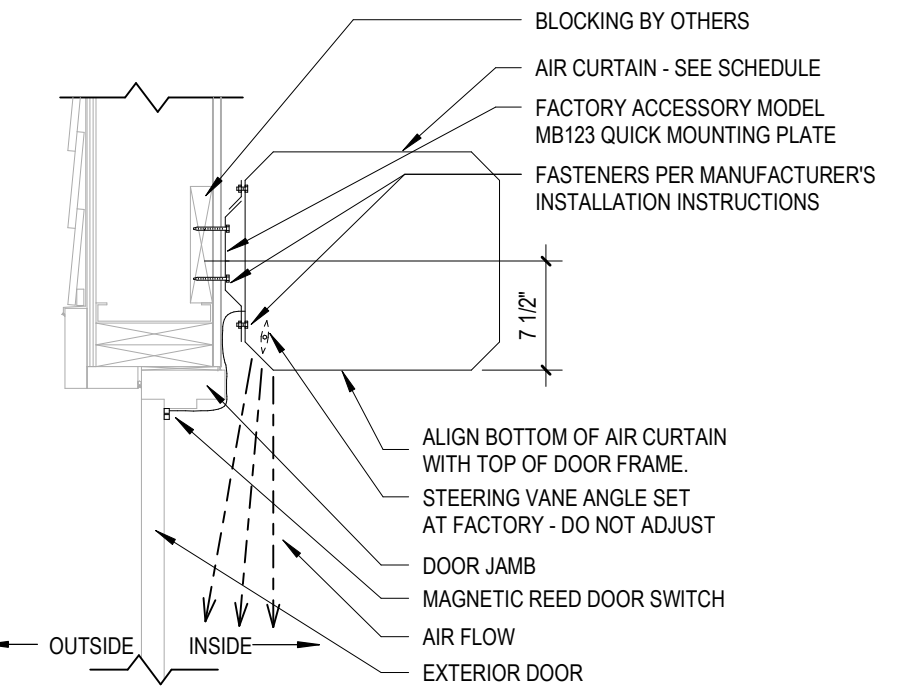
11 TYPICAL DUCT PLENUM DETAIL
M2.0 NOT TO SCALE



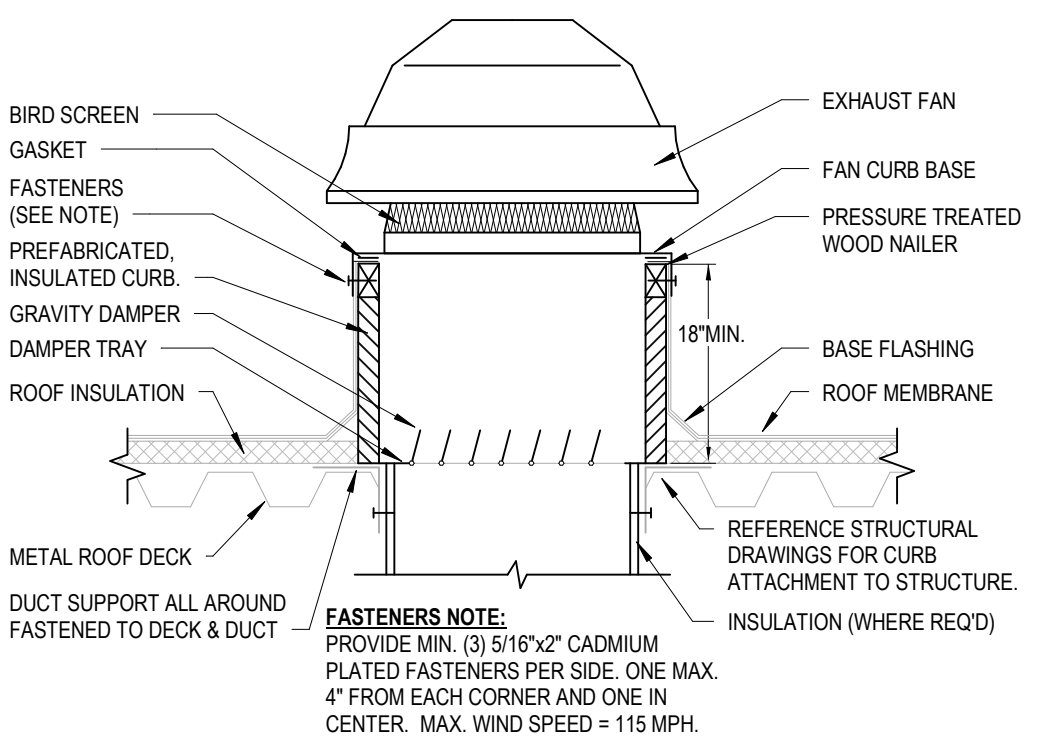
10 HVAC CEILING MOUNTED AIR DIFFUSER SUPPORT DETAIL
M2.0 NOT TO SCALE



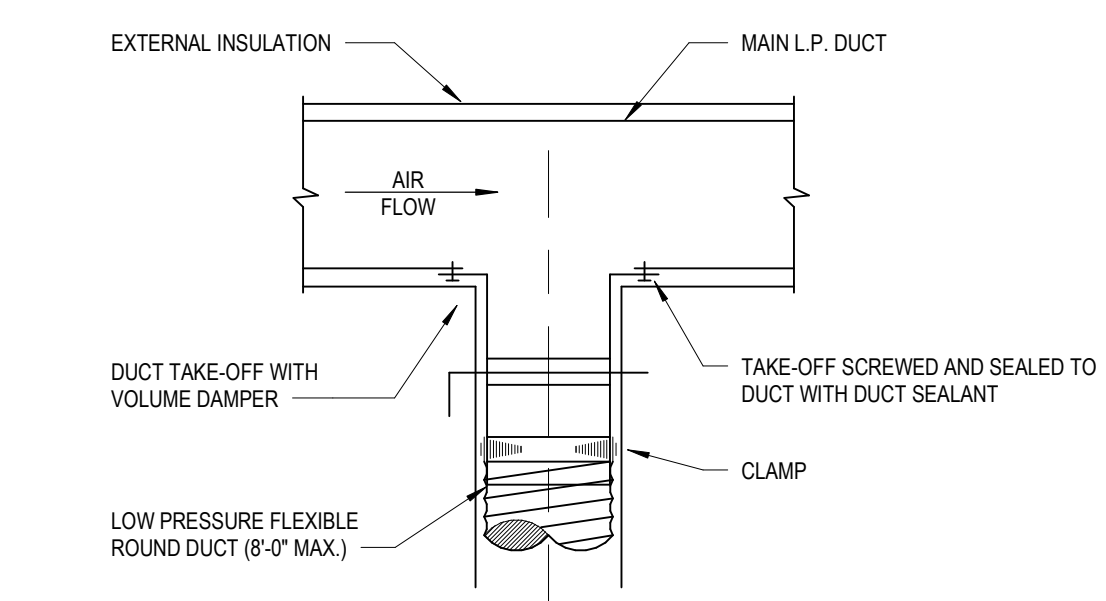
9 HVAC CEILING DIFFUSER RUNOUT DETAIL
M2.0 NOT TO SCALE



7 AIR CURTAIN INSTALLATION DETAIL
M2.0 NOT TO SCALE



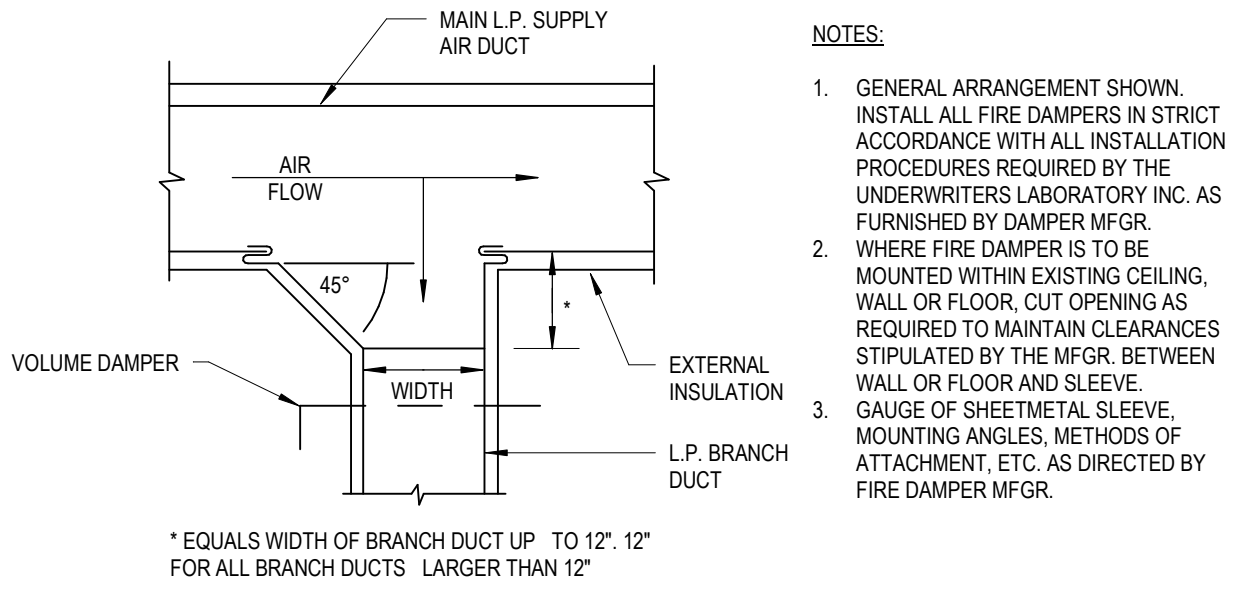
6 ROOF FAN MOUNTING DETAIL
M2.0 NOT TO SCALE



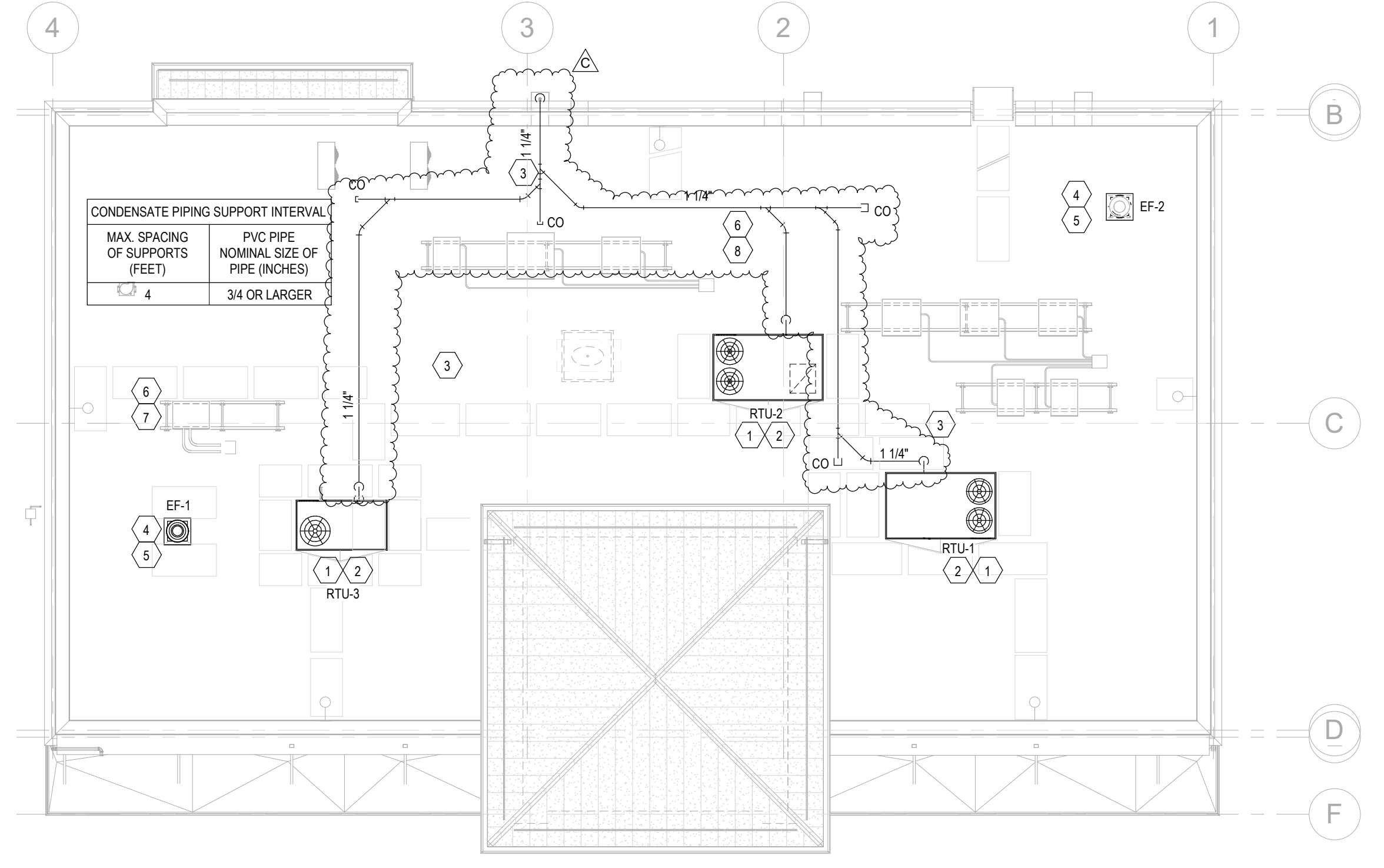
5 HVAC SUPPLY DIFFUSER TAKE OFF DETAIL
M2.0 NOT TO SCALE

ROOF PLAN KEY NOTES

- FACTORY INSTALLED SMOKE DETECTOR IN MAIN SUPPLY AND RETURN OF EACH ROOF TOP UNIT.
- PROVIDE FLEXIBLE CONNECTIONS BETWEEN ALL DUCT WORK AND MECHANICAL UNITS.
- ROUTE SCH. 40 PVC CONDENSATE DRAIN PIPING ALONG ROOF. SUPPORT PIPING PER DETAIL ON SHEET M3.0
- INSTALL ROOF MOUNTED EXHAUST FAN PER DETAIL ON SHEET M3.0 COORDINATE EXACT LOCATION OF FAN PENETRATION WITH ARCHITECTURAL ROOF PLAN. TRANSITION GALVANIZED DUCT WORK AS NECESSARY FROM FAN INTO CEILING/JOIST SPACE. SEE SHEET M1 FOR CONTINUATION.
- MAINTAIN A MINIMUM 10' CLEARANCE BETWEEN OUTSIDE AIR INTAKES AND EXHAUST TERMINATIONS ON ROOF.
- FOOD SERVICE REFRIGERATION EQUIPMENT PROVIDED BY OTHERS.
- FOOD SERVICE REFRIGERATION EQUIPMENT MOUNTED ON PRE-ENGINEERED RACK. SEE DETAIL ON SHEET A3.0
- FOR SPECIFIC WIND LOADING REQUIREMENTS NOT TO EXCEED 115 MPH, SEE STRUCTURAL DRAWINGS.



3 HVAC LOW PRESSURE SUPPLY BRANCH DUCT DETAIL
M2.0 NOT TO SCALE



1 HVAC ROOF PLAN
M2.0 1/8" = 1'-0"

2600 Maitland Center Parkway
Suite #200
Maitland, FL 32751
P (407) 661-9100
F (407) 661-9101
C-p.com
Florida Certified Professional Engineer

JOSE J. DIAZ-VELAZQUEZ
PROFESSIONAL ENGINEER

CLIENT NAME: **WAWA**
260 W. BALTIMORE PIKE
WAWA, PA 19083

PROJECT NAME: **1/14/2022.1**
STORE #8700
SILOAM ROAD & MONMOUTH ROAD,
FREEHOLD TOWNSHIP, NJ

SHEET TITLE: **HVAC ROOF PLAN AND DETAILS**

No.	Revision Schedule	Date
1	PERMIT SET	10/23/2023
2	PRE-BID SET	05/09/2024
3	BID SET	05/30/2024
4	CONSTRUCTION SET	10/15/2024

PROJECT NO.: 220623
DATE: 10-23-2023
DRAWN: JGF
CHECKED: ESD

M2.0

OUTSIDE AIR CALCULATION									
AREA SERVED	AREA (SQFT)	PEOPLE / 1000 SQFT	# PEOPLE	CFM PERSON	PEOPLE O.A. RECD (CFM)	CFM / SQFT	SQFT OUTSIDE AIR (CFM)	TOTAL CFM CALCULATED	CFM SUPPLIED
RETAIL	1142	15	18	7.5	135	0.12	138	273	300
STAGING 71 2 1 10 10 0.12 9 19 WASHROOM 123 20 3 7.5 23 0.12 15 38 BACKROOM 268 20 6 7.5 45 0.12 31 78 COFFEE 159 20 4 7.5 30 0.12 20 50 SPECIAL BEV 94 20 2 7.5 15 0.12 12 27 FOOD SVC 293 20 6 7.5 45 0.12 36 81 RTU-1 273 300 RTU-2 291 600 RTU-3 193 200									
RETAIL	702	15	11	7.5	83	0.12	85	168	
OFFICE	89	5	1	5	5	0.06	6	11	
CORRIDOR	64	-	-	-	-	0.06	4	4	
ASSOCIATES	67	5	1	5	5	0.06	5	10	
								193	200

- NOTES:
- OCCUPANCY LOAD VENTILATION RATES ARE BASED ON NET OCCUPIABLE SPACE IN ACCORDANCE WITH THE 2021 INTERNATIONAL MECHANICAL CODE, TABLE 403.3.1.1.
 - ANTICIPATED NUMBER OF PEOPLE IS BASED ON AN OCCUPANCY LOAD FACTOR (# PEOPLE/SF) VALUE (BASED ON THE 2021 INTERNATIONAL MECHANICAL CODE, TABLE 403.3.1.1).

AIR BALANCE SCHEDULE	
SYSTEM	CFM
RTU-1	+300
RTU-2	+600
RTU-3	-200
EF-1	-250
EF-2	-550
BUILDING POSITIVE PRESSURE	+300

MECHANICAL GENERAL NOTES

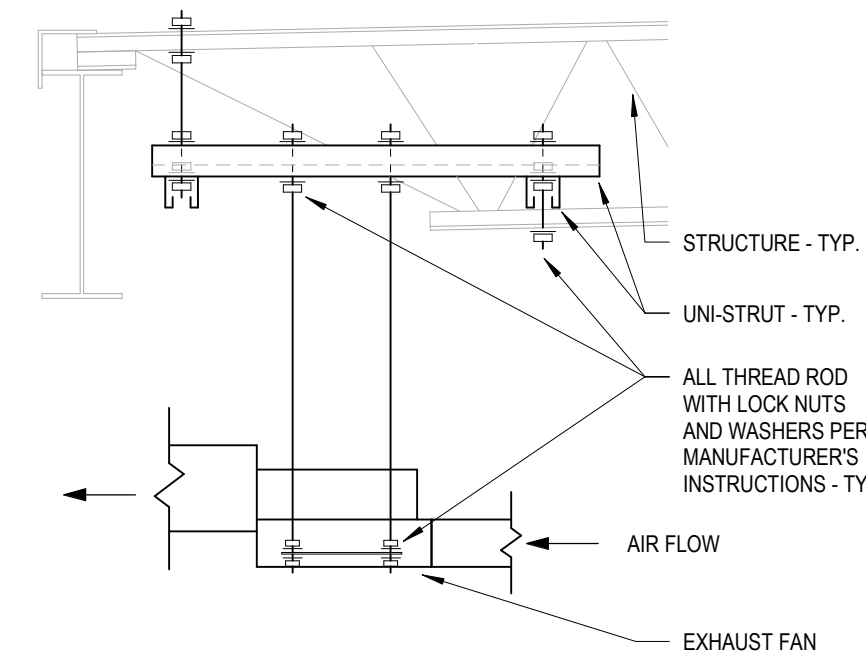
- REFER TO WRITTEN BOOK SPECIFICATIONS FOR ADDITIONAL INFORMATION.
- THE WORK TO BE DONE UNDER THESE SPECIFICATIONS AND THE DRAWINGS CONSISTS OF FURNISHING ALL EQUIPMENT, MATERIALS, LABOR AND SERVICES, AND PERFORMING ALL OPERATIONS TO COMPLETE THE MECHANICAL CONSTRUCTION WORK FOR THIS PROJECT. ANY WORK NOT SPECIFICALLY COVERED BY THESE SPECIFICATIONS OR INDICATED ON THE MECHANICAL/ELECTRICAL/PLUMBING PLANS, BUT NECESSARY TO COMPLETE OR PERFECT ANY PART OF THIS INSTALLATION IN A SUBSTANTIAL MANNER, SHALL BE PROVIDED WITHOUT EXTRA COST TO OWNER.
- THE TERM "FURNISH" SHALL MEAN TO OBTAIN AND SUPPLY TO THE JOB SITE. THE TERM "INSTALL" SHALL MEAN TO FIX IN POSITION AND CONNECT FOR USE. THE TERM "PROVIDE" SHALL MEAN TO FURNISH AND INSTALL. THE TERM "MECHANICAL WORK" OR "WORK" SHALL MEAN ALL LABOR, MATERIAL, EQUIPMENT, SCAFFOLDING, RIGGING, TOOLS, SUPERVISION, SERVICES AND OTHER INCIDENTALS NECESSARY FOR COMPLETE AND OPERABLE INSTALLATION.
- THE CONTRACTOR SHALL FURNISH AND INSTALL ALL EQUIPMENT, MATERIALS AND LABOR TO PROVIDE A COMPLETE AND OPERATIONAL SYSTEM AS INDICATED ON THE DESIGN DOCUMENTS.
- CONTRACTOR SHALL OBTAIN ALL PERMITS, INSPECTIONS AND APPROVALS PRIOR TO AND DURING CONSTRUCTION.
- ALL MATERIALS, EQUIPMENT AND INSTALLATIONS SHALL BE IN STRICT ACCORDANCE WITH THE 2021 INTERNATIONAL BUILDING CODE - MECHANICAL, SMACNA, UL, STATE CODES, LOCAL CODES, MANUFACTURERS' RECOMMENDATIONS, AND ALL AUTHORITIES HAVING JURISDICTION.
- CONTRACTOR SHALL PROVIDE ALL ROOFING OPENINGS, FLASHINGS, AUXILIARY STEEL, THREADED RODS, VIBRATION ISOLATORS, TURNBUCKLES, ETC. TO SUPPORT HIS EQUIPMENT ON OR FROM THE STRUCTURE.
- CONTRACTOR SHALL COORDINATE ALL WORK WITH OTHER TRADES AND IN FIELD PRIOR TO INSTALLATION OF ANY WORK. REPORT ALL CONFLICTS IMMEDIATELY TO ARCHITECT AND ENGINEER.
- CONTRACTOR SHALL PROVIDE ALL ROOFING OPENINGS, FLASHINGS, AUXILIARY STEEL, THREADED RODS, VIBRATION ISOLATORS, TURNBUCKLES, ETC. TO SUPPORT HIS EQUIPMENT ON OR FROM THE STRUCTURE.
- CONTRACTOR SHALL COORDINATE ALL WORK WITH OTHER TRADES AND IN FIELD PRIOR TO INSTALLATION OF ANY WORK. REPORT ALL CONFLICTS IMMEDIATELY TO ARCHITECT AND ENGINEER.
- THE DRAWINGS INDICATE DIAGRAMMATICALLY THE EXTENT, GENERAL CHARACTER AND LOCATION OF THE WORK INCLUDED. OFFSETS OR CHANGES IN DUCT SHAPE TO AVOID STRUCTURAL OR OTHER INTERFERENCES, AND WORK INDICATED BUT HAVING MINOR DETAILS OBVIOUSLY OMITTED SHALL BE PROVIDED WITHOUT EXTRA COST.
- ANY CHANGES AND/OR MODIFICATIONS MUST BE REVIEWED AND APPROVED BY THE ENGINEER OR OWNER'S REPRESENTATIVE PRIOR TO CONSTRUCTION.
- REMOVE ALL TRASH, DEBRIS AND DEMOLITION MATERIAL FROM PREMISES AT THE END OF EACH WORK DAY.
- SCHEDULE ALL WORK, CUTTING AND BUILDING SERVICE INTERRUPTIONS WITH BUILDING OWNER AND CONSTRUCTION MANAGER, PRIOR TO COMPLETING WORK.
- ALL DUCT DIMENSIONS ARE INSIDE CLEAR DIMENSIONS.
- THE MAXIMUM FLEXIBLE DUCT LENGTH PERMITTED IS 9'-0". THIS DUCTWORK SHALL BE INSTALLED WITHOUT KINKS OR 90° BENDS.
- ALL FLEXIBLE DUCTWORK SHALL BE FLEX-VENT TYPE KM INSULATED WITH POLYMER INNER FILM AND METALIZED OUTER JACKET, OR APPROVED EQUAL. SIZE SHALL BE SAME AS DIFFUSER NECK SIZE, UNLESS INDICATED OTHERWISE.
- FIELD ADJUST THE DIRECTION OF BLOW FOR ALL SUPPLY AIR DEVICES SO THAT THE DEVICES DO NOT BLOW DIRECTLY INTO SOFFITS, CURTAIN WALLS, REFRIGERATED CASES OR EXHAUST HOODS.
- ALL NEW AND EXISTING PIPES AND DUCTS SHALL HAVE UL FIRE RATED SLEEVES AND/OR FIRE RATED DAMPERS, WHEN PASSING THROUGH FIRE RATED CONSTRUCTION.
- COORDINATE LOCATION OF NEW DUCTWORK, AIR DEVICES AND EQUIPMENT WITH LIGHT FIXTURES, SPRINKLER PIPING AND HYDRONIC PIPING.
- CONTRACTOR SHALL VERIFY FIELD CONDITIONS AT THE SITE AND NOTIFY THE OWNER/ENGINEER OF ANY DISCREPANCIES PRIOR TO COMMENCING WITH WORK.
- ALL TEMPERATURE AND HUMIDITY SENSORS SHALL BE INSTALLED 5'4" ABOVE FINISHED FLOOR UNLESS NOTED OTHERWISE ON PLAN. COORDINATE FINAL LOCATIONS WITH EQUIPMENT, FURNITURE, TENANT AND ARCHITECT PRIOR TO INSTALLATION.
- ALL DUCTWORK SHALL BE GALVANIZED STEEL CONSTRUCTED AT 2" PRESSURE CLASS. ALL CONCEALED DUCTWORK BELOW TRUSSES SHALL BE INSULATED WITH 1-1/2" FIBERGLASS DUCT WRAP WITH WIRE SUPPORT BANDS ON 24" CENTERS. ALL CONCEALED DUCTWORK ABOVE THE TRUSSES SHALL BE INSULATED WITH 1-1/2" FIBERGLASS DUCT WRAP WITH WIRE SUPPORT BANDS ON 24" CENTERS. ALL INTERIOR EXPOSED DUCTWORK BELOW TRUSSES SHALL BE INSULATED WITH 1" RIGID FIBERGLASS DUCT BOARD WITH FOIL AND SCRIM FACING. ALL EXTERIOR EXPOSED DUCTWORK SHALL BE INSULATED WITH 4" RIGID FIBERGLASS BOARD WITH WEATHERPROOF MEMBRANE.
- VERIFY ALL EQUIPMENT VOLTAGES, WIRING REQUIREMENTS, AND REQUIRED BREAKER SIZES WITH THE ELECTRICAL CONTRACTOR PRIOR TO ORDERING EQUIPMENT.
- ALL ACCESS DOORS REQUIRED IN GENERAL CONSTRUCTION ARE TO BE PROVIDED AND INSTALLED BY THE GENERAL CONTRACTOR. IT IS THE RESPONSIBILITY OF THE MECHANICAL CONTRACTOR TO IDENTIFY SIZE, TYPE AND LOCATION OF SUCH DOORS FOR PROPER ACCESS TO ALL CONCEALED MECHANICAL EQUIPMENT, VALVES AND OTHER RELATED DEVICES. THE MECHANICAL CONTRACTOR SHALL IDENTIFY THESE REQUIREMENTS ON A COORDINATED SHOP DRAWING PRIOR TO SYSTEM FABRICATION AND INSTALLATION.
- AFTER THE HEATING AND AIR CONDITIONING SYSTEM INSTALLATIONS ARE COMPLETE, THE CONTRACTOR SHALL BALANCE THE SYSTEM AND PRESENT OWNER & ARCHITECT WITH A WRITTEN BALANCING REPORT BY A CERTIFIED INDEPENDENT TESTING LAB. DAMPER HANDLES SHALL BE FASTENED INTO DUCTWORK WITH SHEETMETAL SCREWS AFTER BALANCING TO ASSURE CORRECT BALANCED AIRFLOW.
- PROVIDE ELBOWS OR TEES WITH TURNING VANES FOR ALL CHANGES IN SUPPLY DUCT DIRECTION. PROVIDE BRANCH DUCT DAMPERS WITH LOOKING QUADRANTS FOR ALL BRANCHES AND TAKE-OFFS. PROVIDE RAISED QUADRANTS FOR INSULATED DUCTWORK. ALL VOLUME DAMPER HANDLES ARE TO PROTRUDE NEATLY THROUGH DUCT INSULATION AND BE TAGGED SO THAT THEY ARE CLEARLY VISIBLE.
- PROVIDE FLEXIBLE CONNECTIONS AT ALL DUCT CONNECTIONS TO VIBRATING EQUIPMENT. THESE CONNECTIONS SHALL BE INSTALLED IN CLOSE PROXIMITY TO SUCH EQUIPMENT.
- THE MECHANICAL CONTRACTOR SHALL HAVE A QUALIFIED HVAC TECHNICIAN FROM THE UNIT MANUFACTURER PROVIDE AN EQUIPMENT OPERATION CHECK AFTER UNIT START-UP AND PRIOR TO CERTIFIED AIR BALANCING. THE CERTIFICATION, SIGNED BY THE TECHNICIAN, MUST BE INCLUDED IN THE GENERAL CONTRACTOR CLOSING DOCUMENTS FOR THE STORE.
- PROVIDE CONDENSATE DRAIN PIPING SIZED PER PLAN. PROVIDE TRAP FOR EACH ROOFTOP UNIT PER DETAIL ON PLANS. PIPE DRAIN TO GUTTER OR DOWNSPOUT PER PLAN.

HVAC LEGEND

SYMBOL	DESCRIPTION
	NEW RECTANGULAR OR ROUND DUCT
	FLEXIBLE DUCT
	SUPPLY AIR DUCTWORK UP THROUGH PLAN
	RETURN AIR DUCTWORK UP THROUGH PLAN
	EXHAUST AIR DUCTWORK UP THROUGH PLAN
	90° ELBOW WITH TURNING VANES
	MANUAL AIR VOLUME CONTROL DAMPER
	4 WAY SUPPLY DIFFUSER
	3 WAY SUPPLY DIFFUSER
	2 WAY OPPOSED SUPPLY DIFFUSER
	2 WAY CORNER SUPPLY DIFFUSER
	RETURN AIR DEVICE
	EXHAUST AIR DEVICE
	VAV PLAQUE FACE DIFFUSER
	AIR CURTAIN
	LINEAR SLOT DIFFUSER WITH PLENUM
	TEMPERATURE SENSOR
	COMBINATION TEMPERATURE/HUMIDITY SENSOR
	CO2 SENSOR
	EMERGENCY SWITCH
	TYPE MARK
	MECHANICAL EQUIPMENT TAG
	CONDENSATE PIPING
	ROOF MOUNTED EXHAUST FAN
	INLINE EXHAUST FAN
	PACKAGED ROOFTOP AIR CONDITIONER

ABBREVIATIONS

DB°F	DRY BULB DEGREES FAHRENHEIT	LD	LINEAR DIFFUSER
A/C	AIR CONDITIONING	L.P.	LOW PRESSURE
AC	AIR CURTAIN	MAX	MAXIMUM
A.F.F.	ABOVE FINISHED FLOOR	MBH	1000 BTU PER HOUR
BAS	BUILDING AUTOMATION SYSTEM	MCA	MINIMUM CIRCUIT AMPACITY
BTU	BRITISH THERMAL UNIT	MIN	MINIMUM
CD	CEILING DIFFUSER	MOPC	MAXIMUM OVER CURRENT PROTECTION
CFM	CUBIC FEET PER MINUTE	MPH	MILES PER HOUR
CO2	CARBON DIOXIDE	O.A.	OUTSIDE AIR
D	DIAMETER	O.C.	ON CENTER
EER	ENERGY EFFICIENCY RATIO	PVC	POLYVINYL CHLORIDE
EF	EXHAUST FAN	REQD	REQUIRED
FFH	FAN FORCED HEATER	RTU	PACKAGED ROOF TOP HVAC UNIT
G	GRILLE	SCH	SCHEDULE
G.C.	GENERAL CONTRACTOR	SEER	SEASONAL ENERGY EFFICIENCY RATIO
GFCI	GROUND FAULT CIRCUIT INTERRUPTER	SF	SQUARE FOOT
HP	HORSEPOWER	TYP.	TYPICAL
IEER	INTEGRATED ENERGY EFFICIENCY RATIO	V	VOLTS
IN.	INCHES WATER COLUMN	W	WITH
LBS.	POUNDS	WB°F	WET BULB DEGREES FAHRENHEIT



1 INLINE FAN MOUNTING DETAIL

M3.0 NOT TO SCALE

LENNOX SETUP PARAMETERS / MID-ATLANTIC STORES (R)

UNIT ID CONFIGURATION (MECHANICAL CONTRACTOR TO DEFINE / AS APPLICABLE):

- BAGNET CONFIGURATION:** GO TO SETTINGS-GENERAL-CONFIGURATION ID1 POSITION 5 SET TO "B"
- NETWORK CONFIGURATION:** GO TO SETUP-NETWORK INTEGRATION, SET TO BAGNET
- CONTROL MODE:** SET CONTROL MODE TO ROOM SENSOR, CO2 TEMP & HUMIDITY TO "NO"
- ENTHALPY CONFIGURATION:** CHANGE CONFIG ID1 POSITION 2 FROM D (DUAL ENTHALPY) TO S (SINGLE ENTHALPY)
- FRESH AIR COOLING:** SETUP-TEST & BALANCE-DAMPER. SCROLL TO FRESH AIR COOLING SET TO "NO"
- FRESH AIR HEAT:** SETUP-TEST & BALANCE-DAMPER. SCROLL TO FRESH AIR HEAT SET TO "NO"

INDIVIDUAL PARAMETER CONFIGURATIONS (MECHANICAL CONTRACTOR TO DEFINE / AS APPLICABLE):

- PARAMETER 105 DEHUMID MODE: 7 NO CONDITIONS
- PARAMETER 106 DEHUMID SETPOINT: 50. THIS IS A CENTERED SET POINT (+/-)
- PARAMETER 107 DEHUMID DEADBAND: 3 (DEFAULT) THIS IS THE ACTUAL +/- VALUE
- PARAMETER 117 CO2 DAMPER MAX OPEN %: 50
- PARAMETER 118 CO2 START OPEN PPM: 1200
- PARAMETER 119 CO2 FULL OPEN PPM: 1500
- PARAMETER 131 FREECOOLMAX DAMPER: 100%
- PARAMETER 137 CO2 HEAT SET POINT: 68 (BACK UP)
- PARAMETER 139 CO2 COOLING SET POINT: 72 (BACK UP)
- PARAMETER 154 CO2 BLOWER MODE: ON-CONTINUOUS 1
- PARAMETER 155 FREE COOL LOCK OUT SET POINT: 29 (DISABLED)
- PARAMETER 159 FREE COOL SUPPLY SET POINT: 55 (DEFAULT)
- PARAMETER 160 ECON FREE COOL SET POINT: 55 (DEFAULT)
- PARAMETER 161 ECON FREE COOL OFFSET: 10 (DEFAULT)
- PARAMETER 162 FREE COOL ENTHALPY SET POINT (SINGLE ENTHALPY): 19 MA (50% HUM + 60F)
- PARAMETER 163 ECON FREE COOL ENTHALPY OFFSET: 1 (DEFAULT)
- PARAMETER 164 ECONOMIZER PROFILE: 2 (DEFAULT)

CFM VALUES / MSAV FAN SPEEDS (AIR BALANCER TO DEFINE / IF APPLICABLE):

- HEAT CFM VALUE: PER THE HVAC SCHEDULE
- HIGH COOL CFM VALUE: PER THE HVAC SCHEDULE
- LOW COOL CFM VALUE: MATCH THE HIGH COOL CFM VALUE
- VENTILATION CFM VALUE: MATCH THE HIGH COOL CFM VALUE

HVAC AIR DEVICE SCHEDULE

TYPE MARK	MANUFACTURER	MODEL	SERVICE	DESCRIPTION	MOUNTING TYPE	MATERIAL	NECK SIZE	FACE SIZE	NOTES
CD-1	PRICE	AMD	SUPPLY	LOUVERED FACE DIRECTIONAL DIFFUSER	LAY-IN	ALUMINUM	18"X18"	24"X24"	1.6
CD-2	PRICE	AMD	SUPPLY	LOUVERED FACE DIRECTIONAL DIFFUSER	SURFACE	ALUMINUM	12"X12"	NECK-6"	5.6
CD-3	PRICE	AMD	SUPPLY	LOUVERED FACE DIRECTIONAL DIFFUSER	SURFACE	ALUMINUM	9"X9"	NECK-4"	5.6
CD-4	PRICE	AMD	SUPPLY	LOUVERED FACE DIRECTIONAL DIFFUSER	SURFACE	ALUMINUM	6"X6"	NECK-4"	5.6
G-1	PRICE	630FF	RETURN/TRANSFER	LOUVERED FACE FILTER RETURN GRILLE	LAY-IN	ALUMINUM	20"X20"	NECK-3.34"	-
G-2	PRICE	630FF	RETURN/TRANSFER	LOUVERED FACE FILTER RETURN GRILLE	SURFACE	ALUMINUM	14"X14"	NECK-3.34"	-
G-3	PRICE	630FF	EXHAUST	LOUVERED FACE FILTER RETURN GRILLE	SURFACE	ALUMINUM	6"X6"	NECK-3.34"	-
G-4	PRICE	630 D	EXHAUST	LOUVERED FACE RETURN GRILLE	SURFACE/WALL	ALUMINUM	10"X10"	NECK-1.34"	-
LD-1	PRICE	TBD4	SUPPLY	48" INSULATED PLENUM W/ (4) 1" SLOTS	LAY-IN	ALUMINUM	SEE PLAN	NA	2.3

- NOTES:
- NO SUBSTITUTIONS PERMITTED--
 - FOR LAY-IN CEILINGS PROVIDE WITH 18"X18" FULL FACE APPEARANCE DIFFUSER NECK. PROVIDE WITH FACTORY SQUARE TO ROUND NECK ADAPTER MODEL "SR". ROUND NECK SIZE SHALL BE EQUAL TO FLEX SIZE SERVING DIFFUSER.
 - PROVIDE WITH PLENUM INTERNALLY LINED WITH COATED FIBERBOARD. EXTERNALLY INSULATE PLENUM UPON INSTALLATION WITH DUCT WRAP INSULATION.
 - PROVIDE WITH CENTER NOTCH OPTION (CN) AS REQUIRED WHEN USED IN 24" T-BAR CEILING.
 - "QR" STYLE (1/4 TURN FASTENERS ONLY) - OMIT HINGE. FILTER TYPE RETURN GRILLES PROVIDED SOLELY FOR MAINTENANCE PURPOSES. OMIT FILTER UPON INSTALLATION.
 - PROVIDE WITH TYPE 6 BEVELED SURFACE MOUNT FRAME AND FACTORY SQUARE TO ROUND NECK ADAPTER MODEL "SR".
 - PROVIDE WITH BACKPAN INSULATION.

HVAC AIR CURTAIN SCHEDULE

MARK	AREA SERVED	BASIS OF DESIGN		UNIT POWER		MOUNTING HEIGHT	NOTES		
		MANUFACTURER	MODEL	NOZZLE CFM	HP				
AC-1	DELIVERY/STAGING	POWERED AIRE	BCE-1-48	2155	0.5	120 V	1	7'-2"	1-4

- NOTES:
- NO SUBSTITUTIONS PERMITTED--
 - MOUNT INSIDE BUILDING ABOVE DOOR AT 7'-2" A.F.F. MOUNTING HEIGHT IS FROM BOTTOM OF AIR CURTAIN.
 - PROVIDE ALL NECESSARY MOUNTING BRACKETS AND ACCESSORIES.
 - PROVIDE WITH MODEL SM-300 COMMERCIAL MAGNETIC REED DOOR SWITCH.
 - AIR CURTAIN CONTROLLED BY MAGNETIC REED DOOR SWITCH. FAN ON WHEN DOOR IS OPEN.

HVAC EXHAUST FAN SCHEDULE

MARK	CFM	E.S.P. (WC)	FAN TYPE	DRIVE TYPE	SONES	MOTOR HP	FAN RPM	VOLTAGE	PHASE	BASIS OF DESIGN		NOTES
										MANUFACTURER	MODEL	
EF-1	250	0.250 in-wg	DOWNBLAST	DIRECT	4.8	1/25	1300	120 V	1	PENNBARRY	DX105	1.2
EF-2	550	0.250 in-wg	DOWNBLAST	DIRECT	5.3	1/12	1300	120 V	1	PENNBARRY	DX135	1.2
EF-3	60	0.125 in-wg	INLINE	DIRECT	4.1	39 WATTS	1550	120 V	1	PENNBARRY	Z3H	3

- NOTES:
- NO SUBSTITUTIONS PERMITTED--
 - COORDINATE MOUNTING FRAME TYPE WITH ARCHITECTURAL DRAWINGS.
 - PROVIDE FACTORY ACCESSORIES AS REQUIRED FOR RECESSED CEILING INSTALLATION.
 - PROVIDE WITH INTERNAL DISCONNECT SWITCH, FACTORY FAN DELAY SWITCH, FACTORY HIGH TEMPERATURE CUTOFF SWITCH, AND INTEGRAL THERMOSTAT.

HVAC ELECTRIC HEATING UNIT SCHEDULE

MARK	CFM	FAN TYPE	VOLTAGE	PHASE	HEATING CAPACITY	BASIS OF DESIGN		NOTES
						MANUFACTURER	MODEL	
FFH-1	150	FAN FORCED CLG HEATER	120 V	1	1500 W	QMARK	EFF-1500	1-3
FFH-2	150	FAN FORCED CLG HEATER	120 V	1	1500 W	QMARK	EFF-1500	1-3
FFH-3	150	FAN FORCED CLG HEATER	120 V	1	1500 W	QMARK	EFF-1500	1-3

- NOTES:
- NO SUBSTITUTIONS PERMITTED--
 - COORDINATE MOUNTING FRAME TYPE WITH ARCHITECTURAL DRAWINGS.
 - PROVIDE FACTORY ACCESSORIES AS REQUIRED FOR RECESSED CEILING INSTALLATION.
 - PROVIDE WITH INTERNAL DISCONNECT SWITCH, FACTORY FAN DELAY SWITCH, FACTORY HIGH TEMPERATURE CUTOFF SWITCH, AND INTEGRAL THERMOSTAT.

RTU-1, 2, & 3 SEQUENCE OF OPERATION

SUPPLY AIR BLOWER SPEED
UNIT HAS FOLLOWING SUPPLY AIR BLOWER SPEED SETTINGS THAT PERTAIN TO THIS INSTALLATION:

- COOLING AIR BLOWER SPEED
- HEATING AIR BLOWER SPEED

COOLING MODE

- Y1 DEMAND: COMPRESSOR 1 OPERATES AND SUPPLY AIR BLOWER OPERATES AT COOLING SPEED.
- Y2 DEMAND: ALL COMPRESSORS OPERATE AND SUPPLY AIR BLOWER OPERATES AT COOLING SPEED.

DEHUMIDIFICATION MODE

- IF THE UNIT RECEIVES A CALL FOR DEHUMIDIFICATION, ECONOMIZER FREE COOLING IS LOCKED OUT (ON UNITS EQUIPPED WITH ECONOMIZER).
- CALL FOR DEHUMIDIFICATION, NO Y1, Y2 DEMAND: 1ST STAGE COMPRESSOR OPERATES, SUPPLY AIR BLOWER OPERATES AT COOLING SPEED, AND THE REHEAT VALVE IS ENERGIZED.
- Y1 DEMAND WITH A CALL FOR DEHUMIDIFICATION: ALL COMPRESSORS OPERATE, SUPPLY AIR BLOWER OPERATES AT COOLING SPEED AND THE REHEAT VALVE IS ENERGIZED.
- Y2 DEMAND WITH A CALL FOR DEHUMIDIFICATION: ALL COMPRESSORS OPERATE, SUPPLY AIR BLOWER OPERATES AT COOLING SPEED, AND THE REHEAT VALVE IS DE-ENERGIZED.

HEATING MODE (GAS HEAT)

- W1 DEMAND: 1ST STAGE GAS HEAT IS ENERGIZED AND THE SUPPLY AIR BLOWER OPERATES AT HEATING SPEED.
- W2 DEMAND: 2ND STAGE GAS HEAT IS ENERGIZED AND THE SUPPLY AIR BLOWER OPERATES AT HEATING SPEED.

MODULATING OUTDOOR AIR DAMPER

- THE MINIMUM DAMPER POSITION FOR "OCCUPIED HIGH BLOWER" IS ADJUSTED DURING UNIT SETUP TO PROVIDE MINIMUM FRESH AIR REQUIREMENTS PER RTU SCHEDULE.
- WHEN SUPPLY AIR BLOWER IS OFF, THE OUTDOOR AIR DAMPER IS CLOSED.
- WHEN UNIT IS IN OCCUPIED MODE AND SUPPLY AIR BLOWER IS OPERATING, THE OUTDOOR AIR DAMPER IS AT MINIMUM "HIGH BLOWER" POSITION.

RTU-1, 2, & 3 TEST AND BALANCE NOTES

- TEST AND BALANCE CONTRACTOR TO OBTAIN INITIAL BALANCE OF COOLING CFM FOR RTU USING FAN SHEAVE ADJUSTMENT TO WITHIN +/- 5% SCHEDULED SUPPLY AIR CFM. PRODIQY CONTROLLER MAY BE USED FOR FINAL 5% TO OBTAIN SCHEDULED SUPPLY AIR CFM.
- SET MINIMUM OUTSIDE AIR DAMPER POSITION FOR COOLING AND VERIFY OUTSIDE AIR CFM PER RTU SCHEDULE.
- NOT USED.
- NOT USED.
- USING PRODIQY CONTROLLER, VERIFY HEATING CFM EQUALS COOLING CFM.
- ALL PRODIQY CONTROLLER SETTINGS OTHER THAN THOSE MENTIONED ABOVE SHALL REMAIN AS THEIR DEFAULT VALUE AS SET FROM THE FACTORY.
- VERIFY POSITIVE BUILDING PRESSURE.

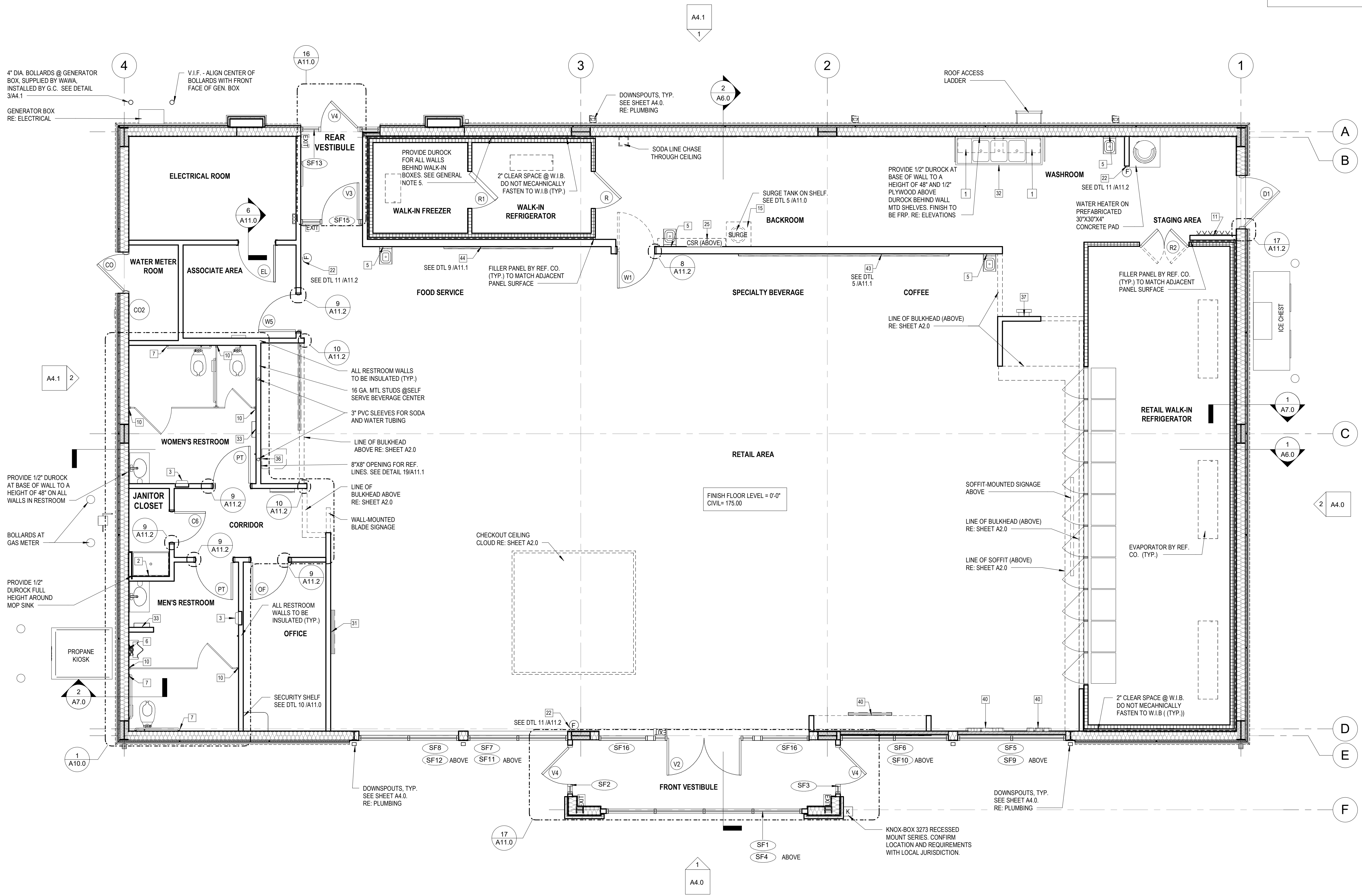
HVAC ROOFTOP UNIT SCHEDULE

MARK	AREA SERVED	NOMINAL TONS	FAN DATA		GAS HEAT		UNIT POWER		WEIGHT (LBS. RTU ONLY)	MIN. UNIT NET COOLING CAPACITY		BASIS OF DESIGN		NOTES									
			SUPPLY AIR (CFM)	OUTSIDE AIR (CFM)	E.S.P. (IN.)	HP	INPUT MBH	OUTPUT MBH		CONTROL STAGES	VOLTAGE	PHASE	MCA		MOPC	MANUFACTURER & PRODUCT LINE	MODEL						
RTU-1	RETAIL	7.5	3000	300	0.5	3.75	130	104	2	208 V	3	46	50	1402	92	68.6	76.3	63.7	92/75	12.3(15.7)	LENNOX ENLIGHT	LG102ZHE	1-20
RTU-2	FOOD SERVICE	12.5	5000	600	0.5	3.75	N/A	N/A	2	208 V	3	64	80	1342	146.1	108.1	75.2	62.5	92/75	11.0(14.6)	LENNOX ENLIGHT	LCT1504HE	2-20
RTU-3	RETAIL	5	2000	200	0.5	1	65	53	2	208 V	3	31	40	903	58.1	46.8	76.5	63.8	92/75	12.8(17.1)	LENNOX ENLIGHT	LG1060HE	2-20

- NOTES:
- PROVIDE CO2 SENSOR FOR INTERLINK WITH BUILDING AUTOMATION SYSTEM.
 - PROVIDE LENNOX HUMIDITY CONTROL, HOT GAS HEAT OPTION.
 - PROVIDE REMOTE WALL MOUNTED COMBINATION TEMPERATURE/HUMIDITY SENSOR MODEL 21W06.
 - REFER TO CONTROL SYSTEM NOTES FOR CONTROL COMPONENTS REQUIREMENTS.
 - PROVIDE 5-MINUTE ANTI-SHORT CYCLE TIMER.
 - PROVIDE THRU THE BASE ELECTRICAL AND SINGLE POINT CONNECTION.
 - PROVIDE WITH FACTORY 2" THROW AWAY PLEATED MERV 8 FILTERS.
 - PROVIDE WITH 18" ROOF CURB.
 - PROVIDE FACTORY 15 AMP GFCI SERVICE OUTLET WITH WEATHERPROOF COVER. COORDINATE WITH ELECTR

FLOOR PLAN NOTES

- FOR SLAB CONTROL JOINT LOCATIONS SEE SHEET "S2.0".
- FOR EQUIPMENT LAYOUT SEE SHEET EQ1.0.
- FOR UNDERSLAB CONDUIT LOCATIONS SEE SHEETS "P1.0" & "E3.0". REFER TO SHEET A0.5 FOR BLOCKING SCHEDULE, DOOR SCHEDULE, ROOM FINISH SCHEDULE, AND GENERAL NOTES.
- REFER SHEETS A9.1, A10.0, & A10.1 FOR INTERIOR ELEVATIONS. REFER TO SHEET A5.1 FOR STOREFRONT ELEVATIONS.
- PROVIDE DIAGONAL BRACING TO ALL METAL STUD SOFFITS THAT ARE SUSPENDED FROM STRUCTURE ABOVE.
- AT ALL METAL STUD PARTITIONS SYSTEMS THAT EXTEND TO STRUCTURE, PROVIDE DEFLECTION TRACK WITH 2" MIN. DEFLECTION SEE DEFLECTION TRACK DETAIL ON SHEET A0.6.
- PROVIDE 6" PVC TUBE WITH THREADED CAP, 36" IN LENGTH, MTD. VERTICALLY TO WALL WITH METAL STRAPS, IN ELECTRICAL ROOM AS NOTED.



1 FLOOR PLAN
A1.0 1/4" = 1'-0"

2600 Mtland Center Parkway
Suite #200
Mtland, FL 32751
P (407) 661-9100
F (407) 661-9101
c-p.com

JOSHUA EUGENE INMAN
ARCHITECT



COPYRIGHT © - All reports, plans, specifications, computer files, field data, notes and other documents are instruments of service prepared by Cuhos & Peterson, C.A.P., as instruments of service remain the property of C.A.P. C.A.P. shall retain all common law, statutory and other reserved rights, including the copyright therein. Any use or reproduction of this document without written permission from C.A.P. is a violation of Federal copyright laws.

CLIENT NAME
WAWA
260 W. BALTIMORE PIKE
WAWA, PA 19063

PROJECT NAME
U45FB M v2022.1
STORE #8700
SILOAM ROAD & MONMOUTH ROAD,
FREEHOLD TOWNSHIP, NJ

SHEET TITLE
FLOOR PLAN

Revision Schedule	
No.	Description
1	PERMIT SET
2	PRE-BID SET
3	BID SET
4	CONSTRUCTION SET

PROJECT NO.	2220523
DATE	10-23-2023
DRAWN	CES
CHECKED	GA

A1.0