

EXHAUST FAN INFORMATION - JOB#5713888

FAN UNIT NO	TAG	QTY	FAN UNIT MODEL #	MANUFACTURER	CFM	ESP	RPM	MOTOR ENCL	HP	BHP	PHASE	VOLT	FLA	WEIGHT (LBS)	SONES
1	KEF1	1	EASIF15DD	ECDN-AIR	1440	0.900	1379	TEFC, PREMIUM	1.000	0.4030	3	208	3.0	208	10.4

FAN #1 EASIF15DD-HESS-UL762 - EXHAUST FAN (KEF1)

MUA FAN INFORMATION - JOB#5713888

FAN UNIT NO	TAG	QTY	FAN UNIT MODEL #	BLOWER	HOUSING	MIN CFM	DESIGN CFM	ESP	RPM	MOTOR ENCL	HP	BHP	PHASE	VOLT	FLA	MCA	MDCP	WEIGHT (LBS)	SONES
2	KHMUA1	1	E76	G7D	D.6	600	1100	0.200	1746	TEAD-ECM	1.000	0.5840	1	230	6.5	8.2A	15A	303	20.9

GAS FIRED MAKE-UP AIR UNIT(S)

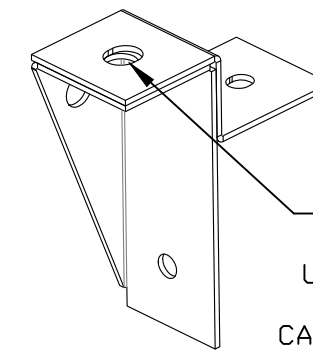
FAN UNIT NO	TAG	INPUT BTUs	OUTPUT BTUs	TEMP RISE	REQUIRED INPUT GAS PRESSURE	GAS TYPE
2	KHMUA1	80867	74398	65°F	7 IN. W.C. - 14 IN. W.C.	NATURAL

FAN OPTIONS

FAN UNIT NO	TAG	QTY	DESCRIPTION
1	KEF1	1	SIF - HORIZONTAL OVERHEAD MOUNT - PRE-INSTALLED MOUNTS (11-36)
		1	HANGING SPRING VIBRATION ISOLATORS (SET OF 4), FOR INDOOR OR OUTDOOR USE WITH SQUARE INLINE FANS (HSA125)
		1	SIF15 - STRAIGHT DISCHARGE FOR SIF 15. SQUARE DUCT CONNECTION
		1	SIF15 - INLET - SQUARE DUCT CONNECTION
2	KHMUA1	1	2 YEAR PARTS WARRANTY
		1	INLET PRESSURE GAUGE, 0-35"
		1	MANIFOLD PRESSURE GAUGE, -5 TO 15" WC
		1	MOTORIZED INTAKE DAMPER (D76)
		1	D76 INDOOR HANGING OPTION - INCLUDES 2 HSA125 HANGING SPRING ISOLATORS PER UNI-STRUT
1	ECM WIRING PACKAGE-SUPPLY - PWM SIGNAL FROM ECPM03 PREWIRE (TELCO MOTOR), CCW ROTATION		

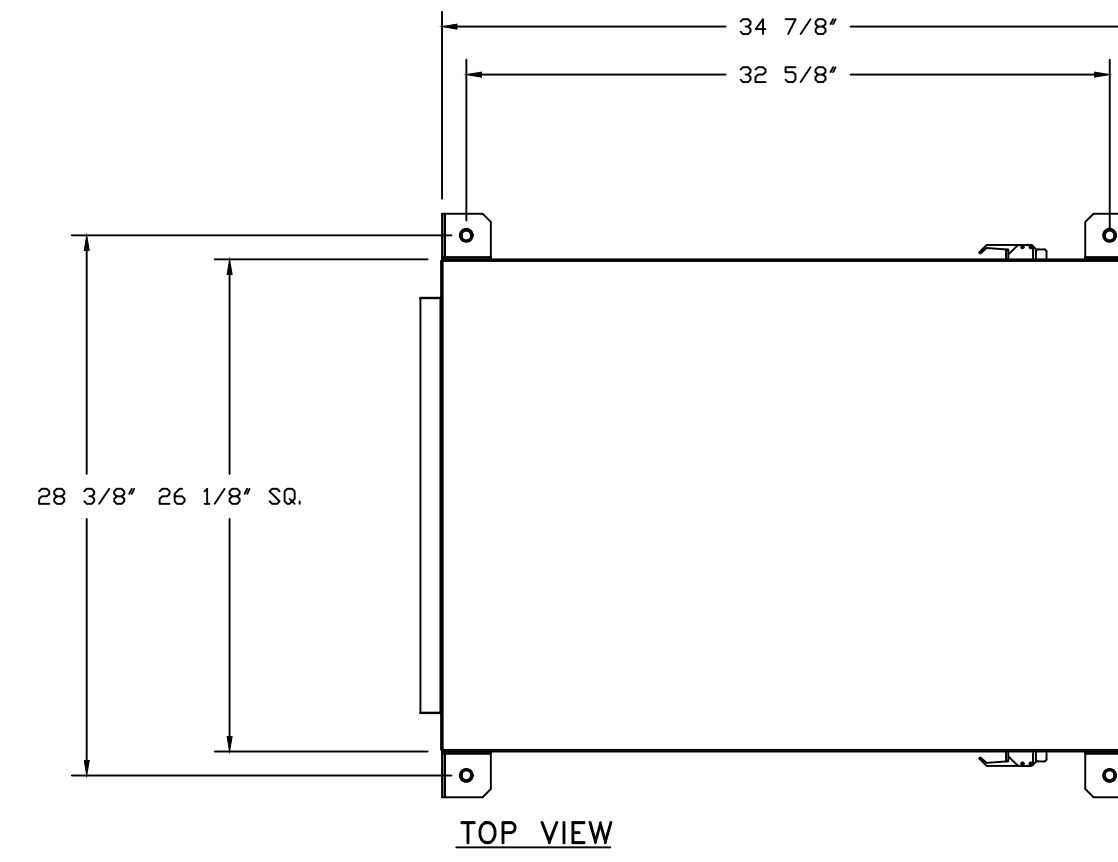
FAN ACCESSORIES

FAN UNIT NO	TAG	EXHAUST				SUPPLY			
		GREASE CUP	GRAVITY DAMPER	WALL MOUNT	SIDE DISCHARGE	GRAVITY DAMPER	MOTORIZED DAMPER	WALL MOUNT	
1	KEF1								
2	KHMUA1				YES		YES		



UNIVERSAL MOUNTING BRACKET

1/2" DIA. THREADED ROD ONLY
 .560" DIA. MOUNTING HOLES.
 USED WITH CEILING VIBRATION ISOLATORS.
 USED WITH FLOOR VIBRATION ISOLATORS.
 CAN BE RELOCATED IN THE FIELD AS NEEDED.



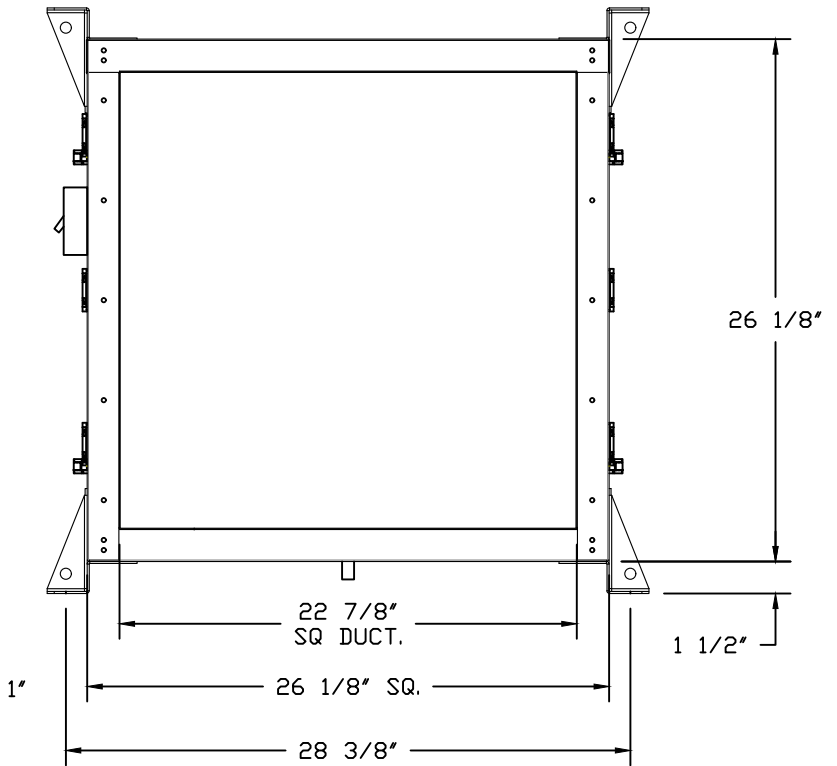
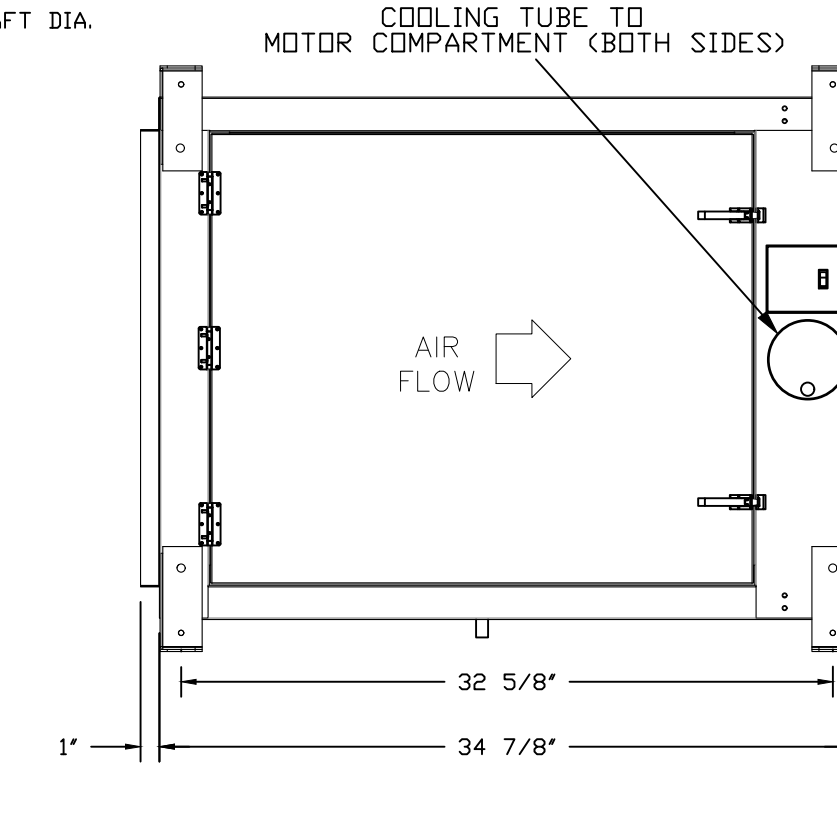
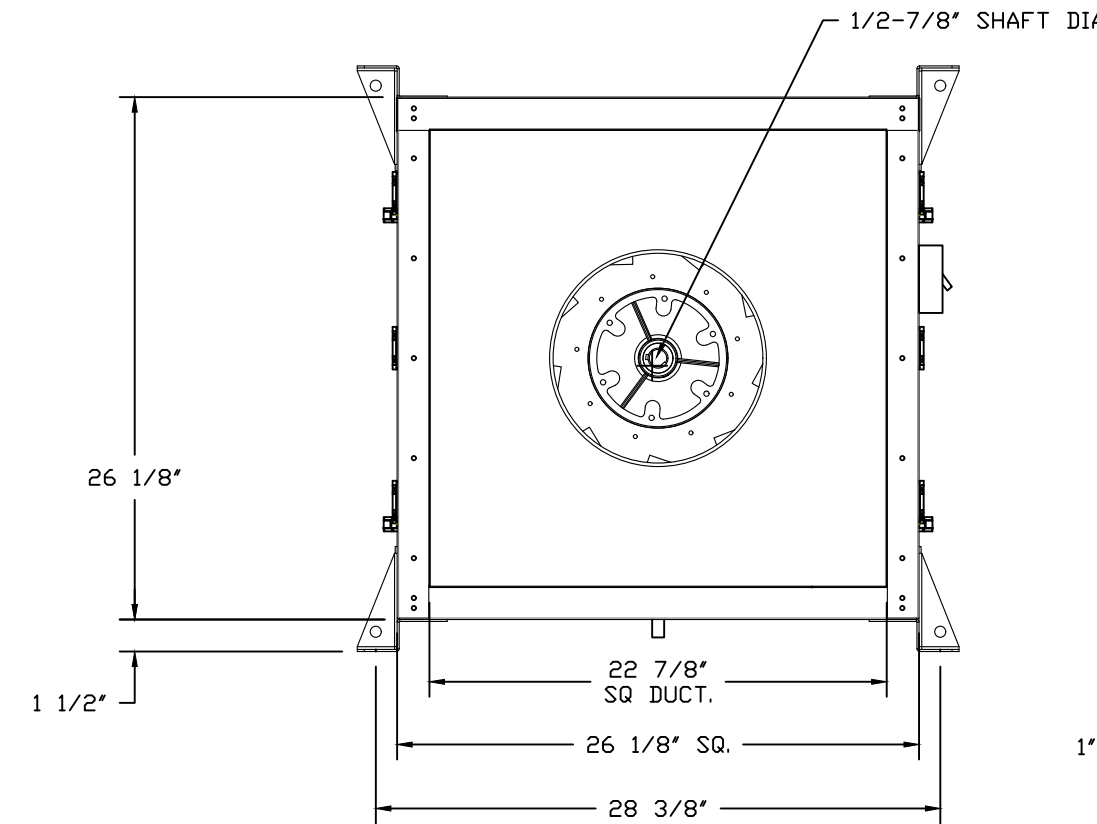
TOP VIEW

FEATURES:

- DIRECT DRIVE CONSTRUCTION (NO BELTS/PULLEYS).
- TWO ACCESS DOORS FOR EASY ACCESS.
- BACKWARD INCLINED NON-OVERLOADING WHEELS.
- UL762 LISTING.
- AMCA AIR & SOUND CERTIFIED.
- THERMAL OVERLOAD PROTECTION (SINGLE PHASE).
- NEMA 3R SAFETY DISCONNECT SWITCH.
- DRAIN MUST BE CONNECTED TO OPTIONAL GREASE BOX OR PIPED TO GREASE RESERVOIR (RECOMMENDED).

OPTIONS:

- SIF - HORIZONTAL OVERHEAD MOUNT - PRE-INSTALLED MOUNTS (11-36).
- HANGING SPRING VIBRATION ISOLATORS (SET OF 4), FOR INDOOR OR OUTDOOR USE WITH SQUARE INLINE FANS (HSA125).
- SIF15 - STRAIGHT DISCHARGE FOR SIF 15. SQUARE DUCT CONNECTION.
- SIF15 - INLET - SQUARE DUCT CONNECTION.
- 2 YEAR PARTS WARRANTY.

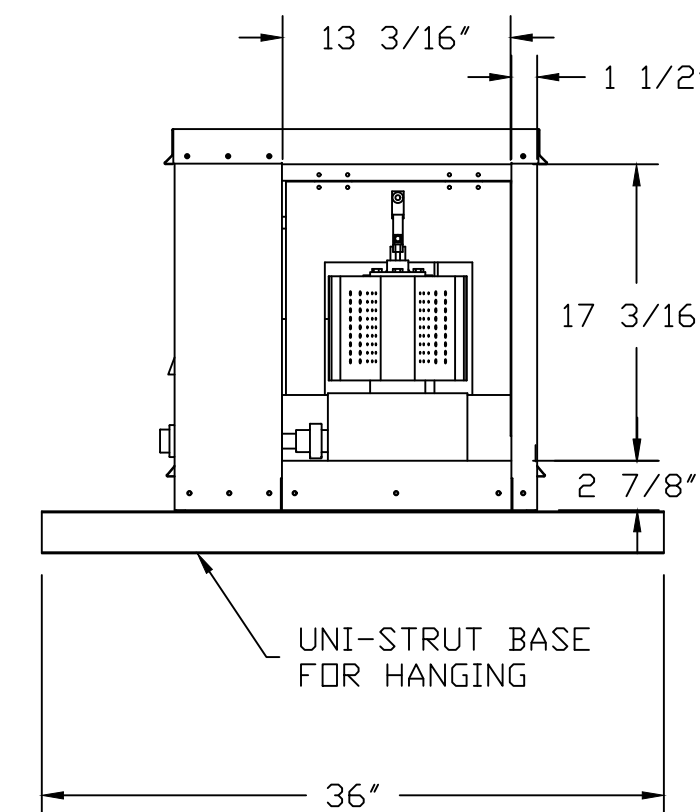
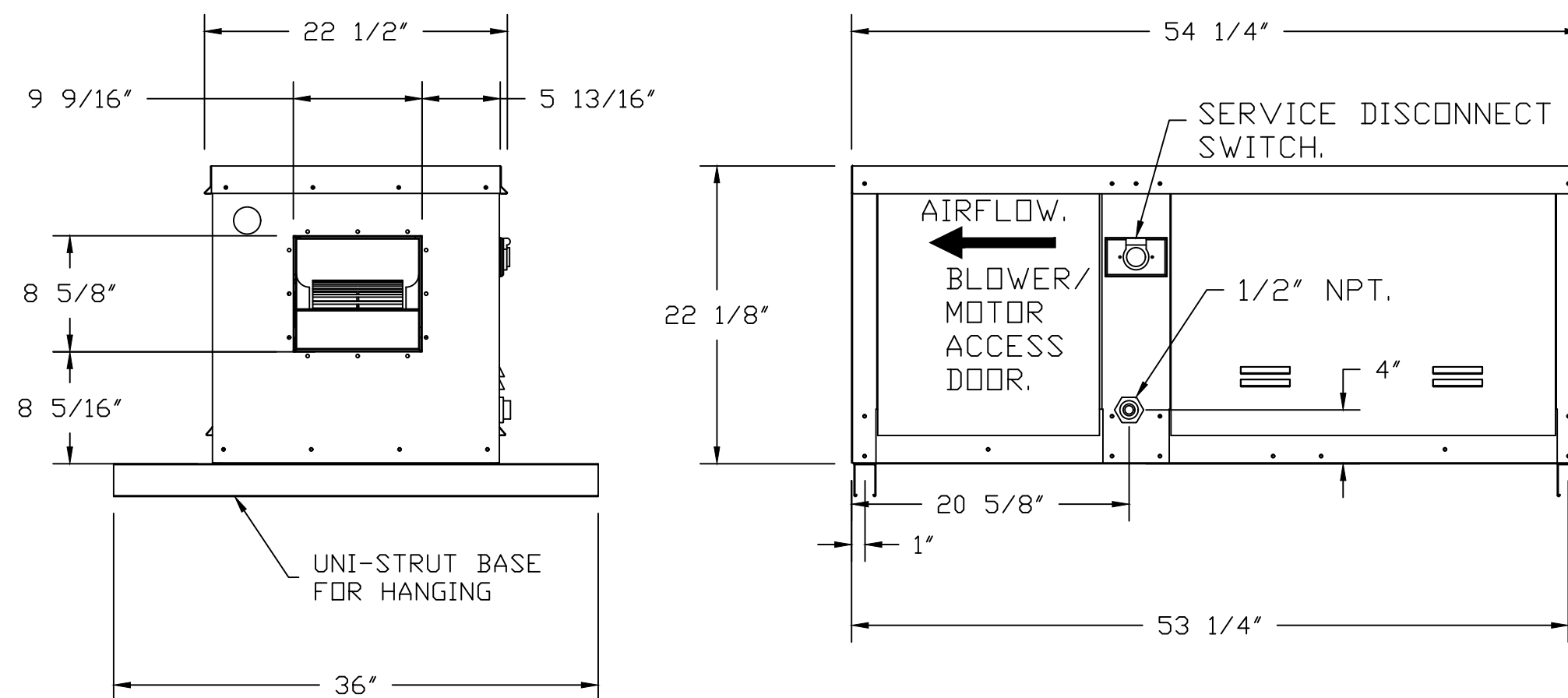
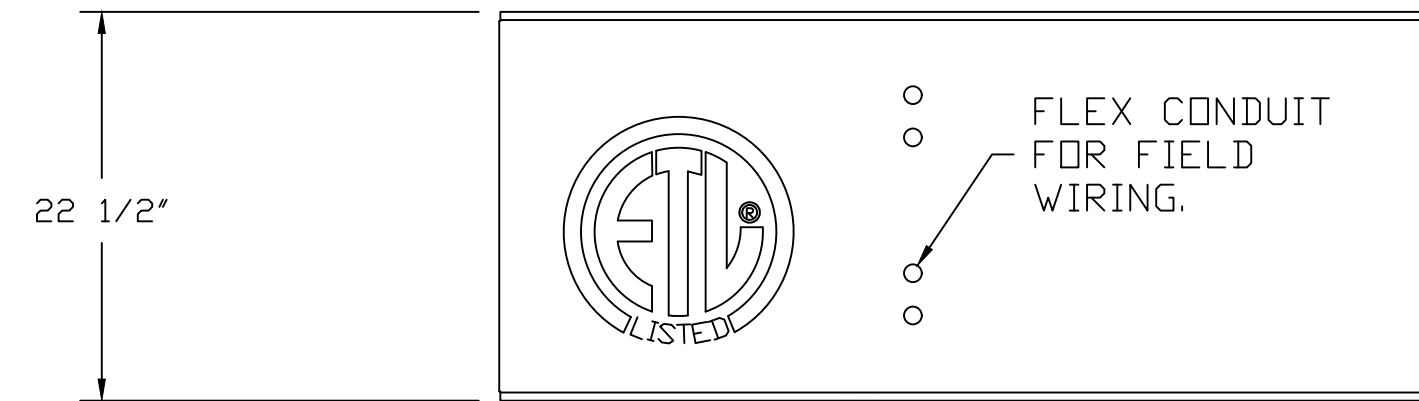


SUPPLY SIDE HEATER INFORMATION:

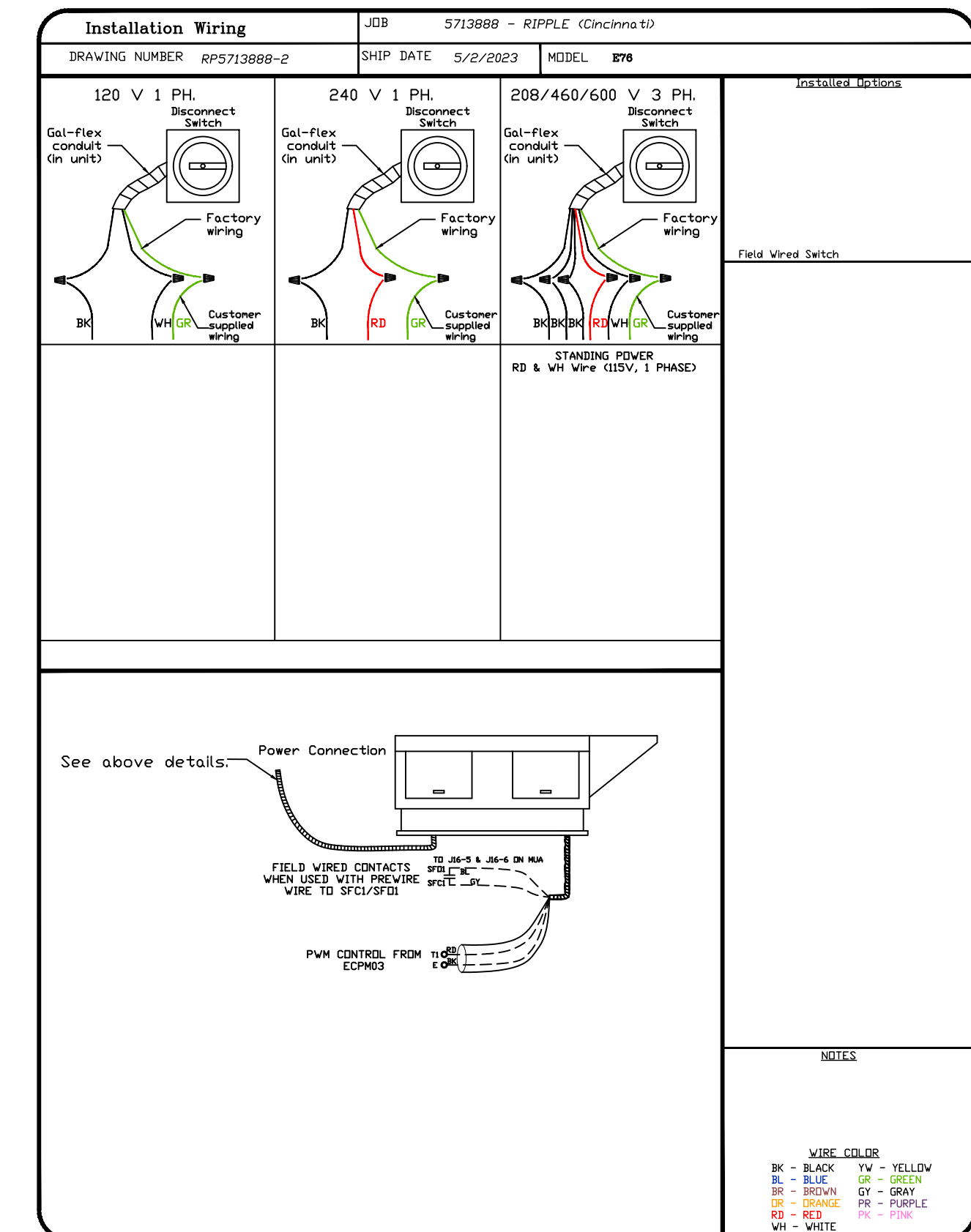
WINTER TEMPERATURE = 10°F. TEMP. RISE = 65°F.
 BTUs CALCULATED OFF ACTUAL AIR DENSITY.
 OUTPUT BTUs AT ALTITUDE OF 0.0 FT. = 76386.
 INPUT BTUs AT ALTITUDE OF 0.0 FT. = 83029.
 OUTPUT BTUs AT ALTITUDE OF 728 FT. = 74398.
 INPUT BTUs AT ALTITUDE OF 728 FT. = 80867.

FAN #2 E76D - HEATER (KHMUA1)

1. LOW CFM DIRECT FIRED HEATER. DIRECT DRIVE.
2. SIDE DISCHARGE - AIR FLOW RIGHT -> LEFT.
3. GAS PRESSURE GAUGE, 0-35", 2.5" DIAMETER, 1/4" THREAD SIZE.
4. GAS PRESSURE GAUGE, -5 TO +15 INCHES WC., 2.5" DIAMETER, 1/4" THREAD SIZE.
5. MOTORIZED BACK DRAFT DAMPER 13" X 17" FOR D76 COMPACT DIRECT FIRED HEATERS W/EXTENDED SHAFT, STANDARD GALVANIZED CONSTRUCTION, 3/4" REAR FLANGE, TF120S ACTUATOR INCLUDED.
6. INDOOR HANGING CRADLE FOR THE COMPACT DIRECT FIRED UNIT. 2 HSA125 HANGING ISOLATORS PER UNI-STRUT INCLUDED. ISOLATOR QUANTITY SUBJECT TO CHANGE BASED ON UNIT CONFIGURATION.
7. ECM WIRING PACKAGE FOR SUPPLY MOTORS WITH PWM SIGNAL FROM ECPM03 PREWIRE.



DIRECT FIRED (DF) PROFILE PLATE ASSEMBLY



REVISIONS

DESCRIPTION	DATE:

Recon-air
 Air Solutions
 www.reconair.com
 1329 East Kemper Rd., Ste. 4210, Cincinnati, OH, 45246 PHONE: (513) 860-5555 EMAIL: reg120@reconair.com

RIPPLE (Cincinnati)
 2000 Madison Road,
 Cincinnati, OH, 45208

DATE: 5/25/2023
DWG.#: 5713888
DRAWN BY: jcirilli
SCALE: 3/4" = 1'-0"
MASTER DRAWING

SHEET NO.
 2