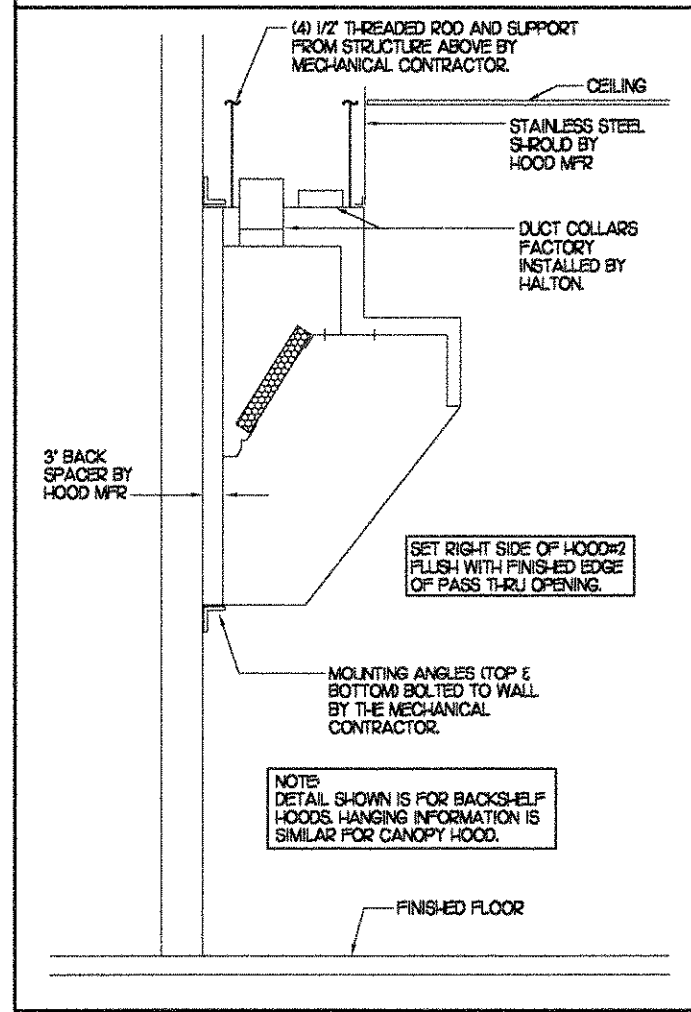




### KITCHEN HOOD SYSTEMS NOTES

- CHICK-FIL-A MAINTAINS A NATIONAL ACCOUNT WITH HALTON CO. FOR THE HOODS. CHICK-FIL-A WILL PURCHASE AND PROVIDE THE HOODS FOR INSTALLATION BY THE GENERAL CONTRACTOR. THE GENERAL CONTRACTOR SHALL BE RESPONSIBLE FOR RECEIVING THE HOODS. CONTACT HALTON CO. AT 270-237-5600 FOR MORE INFO.
- REFER TO "PART 2 CONTROLS" OF THE MECHANICAL SPECIFICATIONS FOR DIFFERENTIATION BETWEEN CONTROL AND POWER WIRING RESPONSIBILITIES.
- ANY CONTACTORS OR WIRING REQUIRED FOR SHUT-OFF OF ELECTRIC COOKING EQUIPMENT SHALL BE FURNISHED AND INSTALLED BY ELECTRICAL CONTRACTOR.
- ALL ROOF CURBS SHALL BE SHIMMED LEVEL.
- ROOF CURBS FOR EXHAUST SYSTEMS SHALL BE INSTALLED IN ACCORDANCE WITH THE NATIONAL ROOFING CONTRACTORS ASSOCIATION GUIDELINES, AND THE ROOFING SUPPLIER'S DETAILS AND GUIDELINES FOR THE SPECIFIC ROOFING MATERIALS USED. ALL CURB INSULATION SHALL BE SUPPLIED AND INSTALLED BY ROOFING CONTRACTOR.
- THE GENERAL CONTRACTOR SHALL PROVIDE ALL ROOF CUT OPENINGS AND OTHER STRUCTURAL REQUIREMENTS FOR THE INSTALLATION OF ALL ROOF EQUIPMENT. REFER TO STRUCTURAL FRAMING PLAN FOR EQUIPMENT LOCATION DIMENSIONS.
- THE FIRE SUPPRESSION SYSTEM SHALL CONSIST OF A COMPLETE WET ANSUL SYSTEM FURNISHED BY HALTON. THE HOOD SHALL BE FURNISHED PRE-PIPED BY HALTON COMPONENTS AND INSTALLATION SHALL MEET THE REQUIREMENTS OF NFPA-96, NFPA-70A, ALL APPLICABLE STATE AND FEDERAL CODES AND STANDARDS.
- THE R-102 ANSUL FIRE SUPPRESSION SYSTEM EXTERNAL TO THE HOODS SHALL BE INSTALLED IN ACCORDANCE WITH HOOD MANUFACTURER'S SHOP DRAWINGS BY AN AUTHORIZED ANSUL SYSTEM INSTALLER HIRED BY HALTON.
- PORTABLE FIRE EXTINGUISHERS IN THE KITCHEN SHALL BE PROVIDED BY THE GENERAL CONTRACTOR IN COMPLIANCE WITH NFPA-10 AND LOCAL REQUIREMENTS.
- OUTLETS OF EXHAUST FANS SHALL BE AT LEAST 40 INCHES ABOVE ROOF LINE.
- EXHAUST FANS SHALL BE LOCATED A MINIMUM OF 10 FEET FROM ANY FRESH AIR INTAKE. MEASUREMENT SHALL BE MADE USING STRETCHED STRING METHOD.
- HOOD EXHAUST DUCTWORK SHALL BE 16 GA. BLACK STEEL WITH CONTINUOUS LIQUID TIGHT WELD OF JOINTS & SEAMS AS PER NFPA-96.
- TURNS IN GREASE EXHAUST DUCTWORK SHALL BE LONG RADIUS TYPE, WITH A CENTERLINE RADIUS R-3W/2, NO EXCEPTIONS ALLOWED. NO MITERED FITTINGS ALLOWED.
- HOODS AND ASSOCIATED DUCTWORK SHALL BE INSTALLED PER NFPA 96 AND LOCAL CODES.
- ALL STAINLESS STEEL SHROUDS SHALL BE SUPPLIED BY HOOD MANUFACTURER AND INSTALLED BY THE GENERAL CONTRACTOR ACCORDING TO MANUFACTURER'S RECOMMENDATIONS.
- HOODS, FANS AND ACCESS DOORS SHALL BE LISTED BY UNDERWRITERS INC. AND SHALL MEET REQUIREMENTS OF NFPA-96.
- ACCESS DOORS SHALL BE REMOVABLE WITHOUT USE OF TOOLS AND BE PROVIDED WITH GASKET SEAL.
- SLOPE ALL GREASE EXHAUST DUCT BACK TO HOOD AT 1/4" PER FOOT OF RUN.
- WRAP NEW GREASE DUCT WITH 3M FIRE BARRIER 15A. ACCESS DOORS SHALL BE INSTALLED ACCORDING TO 3M FIRE BARRIER PRODUCTS INSTALLATION MANUAL.

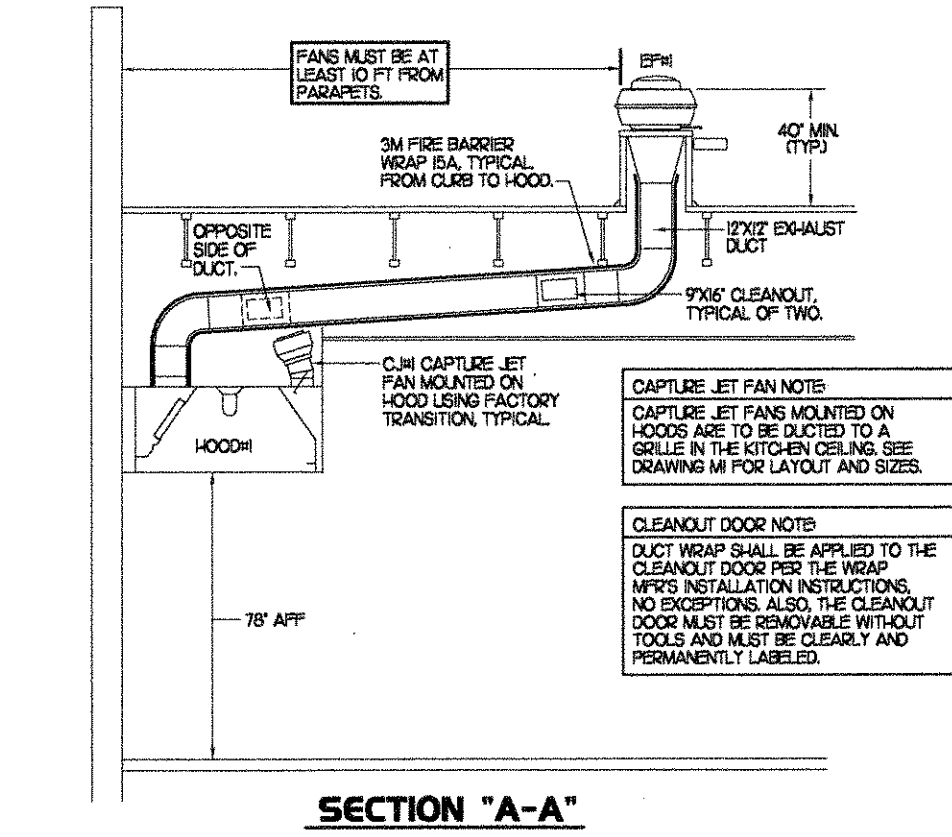
### SIDE VIEW OF HOOD



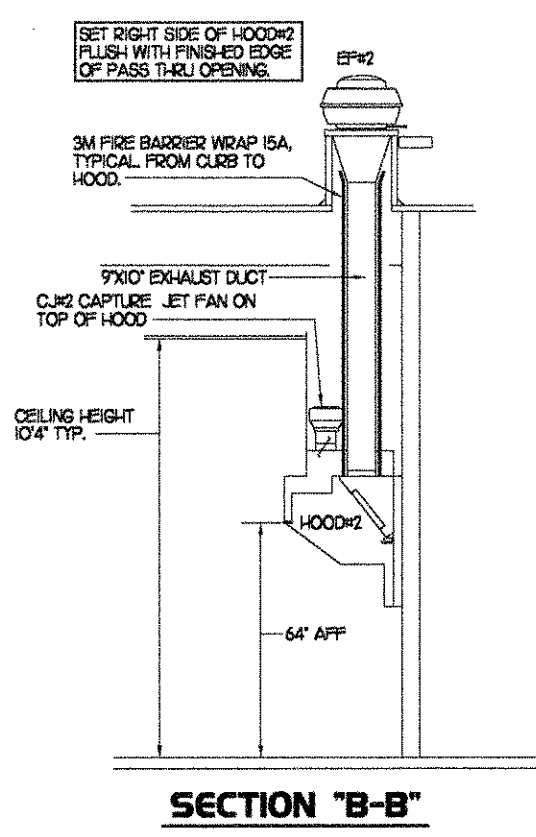
### HOOD SCHEDULE

MARK	EXHAUST CFM	SP • TAB PORT	CAPTURE JET CFM & SP.	TYPE	COLLAR SIZE	WIDTH	DEPTH	HEIGHT	MANUFACTURER	MODEL	REMARKS
HOOD#1	1500	23"	102 • 0.72'	CANOPY	12"X12"	105"	5"	24"	HALTON	KVE	123456789
HOOD#2	950	23"	48 • 0.30'	BACK SHELF	9"X10"	72"	34"	48"	HALTON	KVL	1245910

- NOTES: DIMENSIONS OF HOODS INCLUDE BACK AND SIDE SPACERS (HEIGHT DOES NOT INCLUDE CLOSURE PANELS).
- REMARKS:
- 1) STAINLESS STEEL CONSTRUCTION.
  - 2) PROVIDE FULL HEIGHT SS CLOSURE PANEL WITH ACCESS PANEL IN FRONT LARGE ENOUGH TO REMOVE CAPTURE JET FAN.
  - 3) PROVIDE FULL HEIGHT SS CLOSURE PANEL WITH ACCESS PANEL IN FRONT LARGE ENOUGH TO SERVICE ANSUL COMPONENTS.
  - 4) PROVIDE PRE-PIPED ANSUL R-102 WET FIRE EXTINGUISHING SYSTEM.
  - 5) PROVIDE 3" BACK SPACER.
  - 6) PROVIDE 3" RIGHT SIDE SPACER.
  - 7) PROVIDE PARTIAL SIDE SKIRT ON LEFT SIDE.
  - 8) PROVIDE BLANK-OFF PLATE FOR SWITCH COVER.
  - 9) PROVIDE TOP PLENUM CAPTURE JET FAN, SPEED CONTROLLER AND COLLAR.
  - 10) PROVIDE COUNTER MOUNTED SIDE CAPTURE JET PLENUM ASSEMBLY AND FAN.

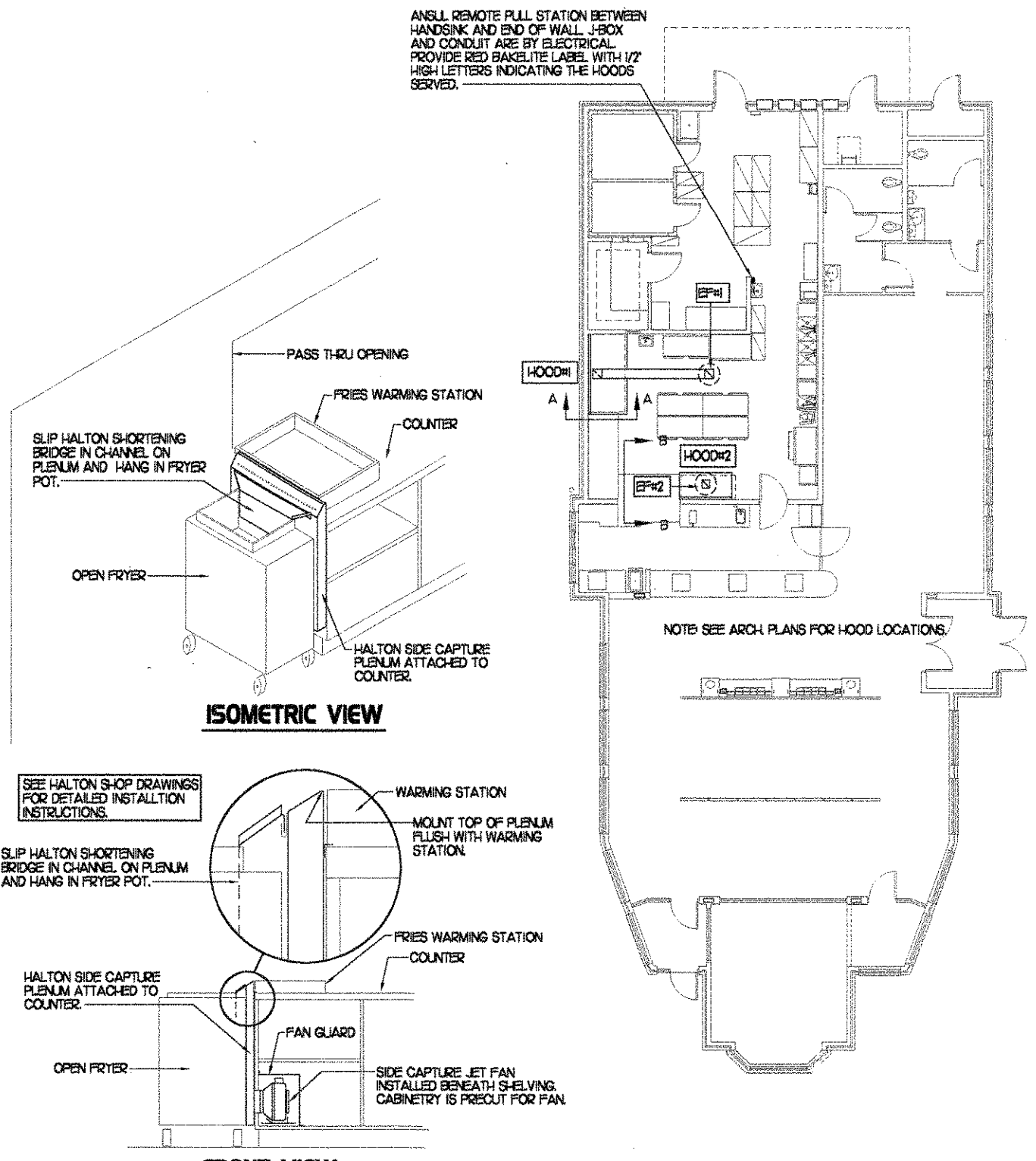


SECTION "A-A"



SECTION "B-B"

ANSUL REMOTE PULL STATION BETWEEN HANDSINK AND END OF WALL. J-BOX AND CONDUIT ARE BY ELECTRICAL. PROVIDE RED BAKELITE LABEL WITH 1/2" HIGH LETTERS INDICATING THE HOODS SERVED.



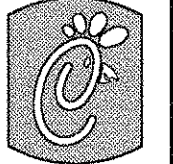
ISOMETRIC VIEW

FRONT VIEW

NOTE: SEE ARCH. PLANS FOR HOOD LOCATIONS.

### 3 HOOD ELEVATIONS

### 1 HOOD LAYOUT



Chick-fil-A

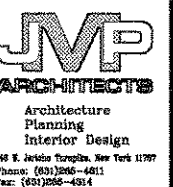
5200 Buffington Rd.  
Atlanta Georgia,  
30349-2998

Revisions:

Mark	Date	By
△		
△		

ISSUE DATE  
5/4/04  
8/12/04

Seal



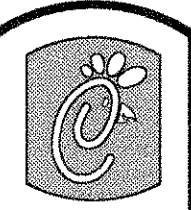
STORE  
SERIES 04-152  
CHICK-FIL-A FSU  
HORIZON CORPORATE  
CENTER  
HORIZON WAY  
BENSALEM TNSHP,  
NESHAMINY, PA

SHEET TITLE  
HOOD DETAILS  
& SCHEDULES

04.7  
Preliminary  
80% Submittal  
For Construction

Job No. :  
Store :  
Date : 5/4/04  
Drawn By :  
Checked By :  
sheet

M-2



**Chick-Fil-A**

5200 Buffington Rd.  
Atlanta Georgia,  
30349-2998

Revisions:  
Mark Date By

△

Mark Date By  
△

ISSUE DATE  
5/4/04  
8/12/04

Seal



JVP ARCHITECTS  
Architecture  
Planning  
Interior Design  
548 W. Justice Through, New York 11797  
Phone: (813)286-4411  
Fax: (813)286-4314

STORE  
SERIES 04-152  
CHICK-FIL-A FSU  
HORIZON CORPORATE  
CENTER  
HORIZON WAY  
BENSALEM TOWNSHIP,  
NESHAMINY, PA

SHEET TITLE  
HVAC DETAILS  
& SCHEDULES

DWG EDITION 04.7

□ Preliminary  
□ 80% Submittal  
✗ For Construction

Job No. : \_\_\_\_\_

Store : \_\_\_\_\_

Date : 5/4/04

Drawn By : \_\_\_\_\_

Checked By : \_\_\_\_\_

Sheet

**M-3**

**GAS FIRED ROOFTOP UNIT SCHEDULE**

MARK	COOLING CAPACITY (MBH)		HEATING CAPACITY (MBH)		FAN SECTION (CFM)			MODEL	MANUFACTURER	REMARKS
	TOTAL	SENS	INPUT	OUTPUT	SUPPLY	O.A.	HP			
ACH1	145.6	99.0	235.0	188.0	4400	1200	3	7.0	L6C5052EH	LENNOX 135.6/7.8/9.0/JUL2/3
ACH2	104.0	71.8	235.0	188.0	3150	750	2	6.5	L6A1024EH	LENNOX 235.6/7.8/9.0/JUL2/3
ACH3	138.0	90.8	235.0	188.0	4000	1000	3	6.5	L6A1024EH	LENNOX 135.6/7.8/9.0/JUL2/3
ACH4	94.5	69.9	235.0	188.0	2750	600	2	6.5	L6A0502EH	LENNOX 235.6/7.8/9.0/JUL2/3
ACH5	63.9	47.3	235.0	188.0	2000	300	1.5	6.5	L6A0502EH	LENNOX 345.6/7.8/9.0/JUL2/3

NOTES  
COOLING CAPACITIES ARE GROSS, BASED ON INDOOR EDB: 80F, INDOOR EMB: 67F, OUTDOOR EDB: 95F

REMARKS  
1) PROVIDE DIFFERENTIAL ENTHALPHY ECONOMIZER WITH POWER EXHAUST.  
2) PROVIDE DIFFERENTIAL ENTHALPHY ECONOMIZER WITH BAROMETRIC EXHAUST.  
3) PROVIDE 14" HIGH ROOF CURB.  
4) PROVIDE 0-HOOK MOTORIZED OUTSIDE AIR DAMPER ASSEMBLY.  
5) SEE DETAIL 2/M FOR SETTING OF ECTO PARAMETERS BY MC.  
6) PROVIDE FACTORY INSTALLED 1/4" GFI SERVICE OUTLET.  
7) SEE ELECTRICAL DRAWINGS FOR ELECTRICAL CHARACTERISTICS PRIOR TO ORDERING EQUIPMENT.  
8) PROVIDE FACTORY INSTALLED RETURN SIDE SMOKE DETECTOR.  
9) PROVIDE FACTORY INSTALLED NON-FUSED DISCONNECT.  
10) PROVIDE COIL HAL GUARD ON FL, TX AND OK PROJECTS.  
11) PROVIDE 2" FIBER 30/30 THROW AWAY FILTERS.  
12) PROVIDE HINGED PANELS FOR FILTER ACCESS, FAN MOTOR ACCESS, COMPRESSOR ACCESS AND CONTROL COMPARTMENT ACCESS.  
13) ADJUST GAS MANIFOLD PRESSURE AT LOCATIONS WHERE ELEVATION EXCEEDS 2000' ABOVE SEA LEVEL AS RECOMMENDED BY MANUFACTURER.  
14) PROVIDE HUMIDITY CONTROL OPTION WITH FACTORY WALL MOUNTED HUMIDITY SENSOR (STATES OF CA AND AZ EXCLUDED).

**EXHAUST FAN SCHEDULE**

MARK	CFM	ESP	RPM	TP SPEED (FPS)	HP	AREA SERVED	MODEL	MANUFACTURER	REMARKS
EPH1	1500	0.65	1200	105	3/4	HOODH	NERTD-140A	JENN	123.4A
EPH2	950	0.60	950	91	3/4	HOODH	NERTD-140A	JENN	123.4A
EPH3	500	3.75	1088	56	1/4	RESTROOMS	REDX25S	JENN	25.7A9

NOTES  
GREASE EXHAUST FAN RPM BASED ON 78 DEGREE F AIR AT SEA LEVEL.

REMARKS  
1) PROVIDE FACTORY 1'-0" BASE CURB AND EXTENSION.  
2) PROVIDE FACTORY NON-FUSED DISCONNECT.  
3) PROVIDE FACTORY INSTALLED HINGED BASE KIT.  
4) PROVIDE AND INSTALL FACILITEC G2 DRIP GUARD. DRIP GUARD SHALL BE ORDERED AND INSTALLED BY THE MECHANICAL CONTRACTOR. THE COST OF THE DRIP GUARD IS BILLED TO CFA DIRECTLY BY FACILITEC. THE MECHANICAL CONTRACTOR IS TO CONTACT FACILITEC AT 800-284-8273 FOR ORDERING AND SHIPPING ARRANGEMENTS.  
5) PROVIDE BIRDSCREEN.  
6) STARTER BY ELECTRICAL CONTRACTOR. INTERLOCK WITH LIGHTS BY ELECTRICAL CONTRACTOR.  
7) PROVIDE 12" HIGH CURB.  
8) PROVIDE FACTORY INSTALLED SPEED CONTROLLER.  
9) CHICK-FIL-A HAS A NATIONAL ACCOUNT WITH JENN. THE FAN/CURB PACKAGE MUST BE PURCHASED BY THE MECHANICAL CONTRACTOR THROUGH SUNLOW ASSOCIATES IN ATLANTA, GA. TELEPHONE 800-678-6569. FANS AND CURBS NOT PURCHASED THROUGH SUNLOW WILL NOT BE ACCEPTED.

**AIR DEVICE SCHEDULE**

MARK	DESCRIPTION	LOCATION	NECK SIZE	FACE SIZE	CEILING TYPE	REMARKS
A	TITUS MODEL PSS-AA ALUMINUM SUPPLY AIR DIFFUSER WITH AIR PATTERN CONTROLLER.	DINING AREA KITCHEN	24X24	24X24	LAY-IN	1
B	TITUS MODEL PAR-AA ALUMINUM RETURN AIR GRILLE USED AS A SUPPLY DIFFUSER.	KITCHEN PLAYGROUND	SEE PLAN	24X24	LAY-IN	1
C	TITUS MODEL PSS-AA ALUMINUM SUPPLY AIR DIFFUSER WITH AIR PATTERN CONTROLLER.	ENTRY 'A' ENTRY 'B'	SEE PLAN	24X24	GYPPLM	1/7
D	TITUS MODEL 272FS DOUBLE DEFLECTION ALUMINUM SIDEWALL SUPPLY REGISTER. FRONT BLADE PARALLEL TO SHORT SIDE.	MECHANICAL ROOM	SEE PLAN	SEE PLAN	NA	1
E	TITUS MODEL 50F ALUMINUM EGGRATE RETURN AIR GRILLE.	ENTRY 'A' ENTRY 'B'	SEE PLAN	24X24	GYPPLM	1/5
F	TITUS MODEL 50F ALUMINUM EGGRATE RETURN AIR GRILLE.	DINING/KITCHEN PLAYGROUND	24X24	24X24	LAY-IN	1/5
G	TITUS MODEL 3FL ALUMINUM SIDEWALL RETURN GRILLE. FRONT BLADE PARALLEL TO LONG SIDE.	MECHANICAL ROOM	SEE PLAN	SEE PLAN	NA	1
H	TITUS MODEL TMR-AA ALUMINUM CONCENTRIC ROUND CONE SUPPLY DIFFUSER.	OFFICE	10	18	LAY-IN	1/6
J	TITUS MODEL MCD STEEL SUPPLY AIR DIFFUSER FIELD ADJUSTABLE AIR PATTERN CONTROLLERS.	RESTROOMS	8X8	13X13	GYPPLM	1/23.5
K	TITUS MODEL 50F ALUMINUM EGGRATE RETURN AIR GRILLE WITH OSD.	RESTROOMS	8X8	10X10	GYPPLM	1/4.5

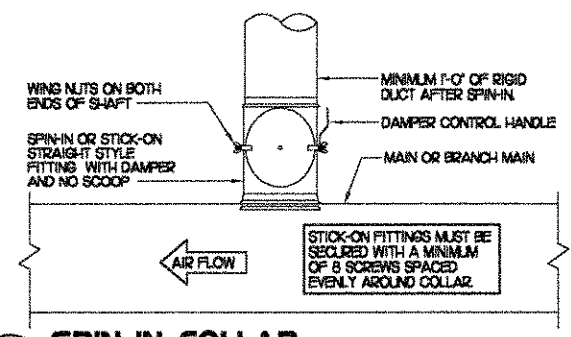
REMARKS  
1) STANDARD OFF WHITE FINISH.  
2) PROVIDE MODEL AG-85 NECK DAMPER.  
3) DIFFUSER IN RESTROOMS SHALL BE 2-WAY THROW.  
4) PROVIDE MODEL AG-15 NECK DAMPER ON GRILLES IN RESTROOMS.  
5) FIELD FABRICATE 8" DEEP BACKPAN SEAL JOINTS WITH MASTIC AND INSULATE EXTERNALLY. DO NOT TAPE BACKPAN TO THE GRILLE. IT MUST BE POSSIBLE TO LIFT BACKPAN OFF GRILLE.  
6) PROVIDE AG-100 NECK DAMPER. ADJUSTABLE THRU DIFFUSER FACE.  
7) PROVIDE PLASTER MOUNTING FRAME.

**AIR DOOR SCHEDULE**

MARK	CFM	VELOCITY	HEATING CAP	HP	AREA SERVED	MODEL	MANUFACTURER	REMARKS
PPH1	3,384	4,000	NA	3/4	REAR DOOR	BCT-142	POWERED-AIRE	1.4
PPH2	750	3,050	72 KW	1/5	DRIVE THRU	MP-1-30E	POWERED-AIRE	2.4

REMARKS  
1) FACTORY PROVIDED PLUNGER TYPE MICRO-SWITCH.  
2) FACTORY PROVIDED REMOTE MOUNTED HEAT/VALVE CONTROLS.  
3) FACTORY PROVIDED UNIT MOUNTED SPEED CONTROLLER.  
4) CHICK-FIL-A HAS A NATIONAL ACCOUNT WITH POWERED-AIRE. THE MECHANICAL CONTRACTOR SHALL PURCHASE THE FANS DIRECTLY FROM THE NATIONAL ACCOUNT REP, TOM BARROW COMPANY. CONTACT MR. TOM BARROW SR AT 404-351-0101, FOR PRICING AND AVAILABILITY.

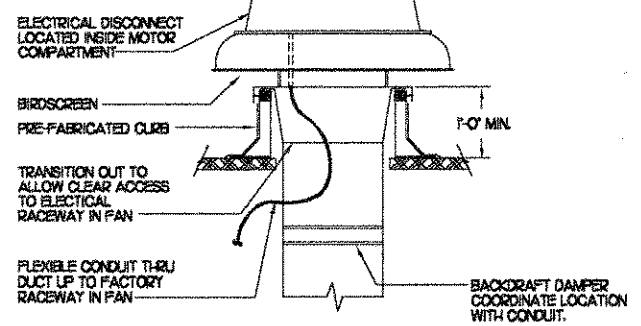
DAMPER CONTROL HANDLE MUST BE LEFT EXPOSED. ATTACH A YELLOW FLUORESCENT CONSTRUCTION RIBBON TO THE HANDLE. RIBBON MUST HANG 12" BELOW DUCT AND BE EASILY IDENTIFIABLE FOR TEST AND BALANCE CONTRACTOR.



**2 SPIN-IN COLLAR**

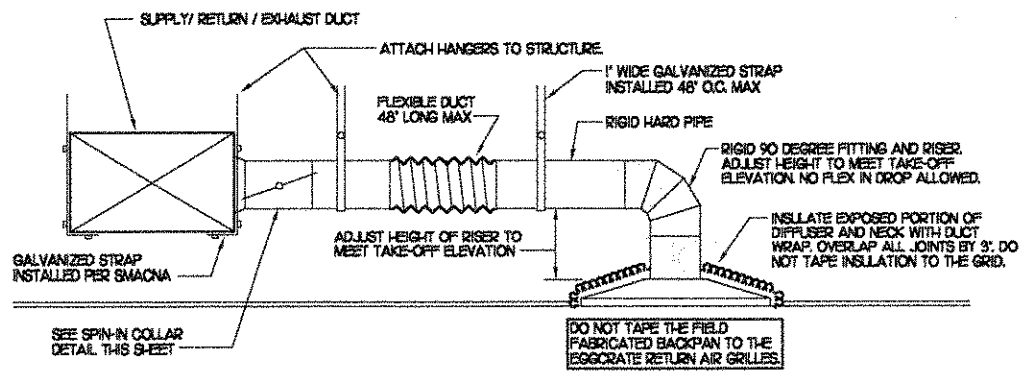
NO SCALE

NOTE:  
SECURE FAN TO CURB WITH SHEET METAL SCREWS (NO X H/2) 6" O.C. ALL AROUND.



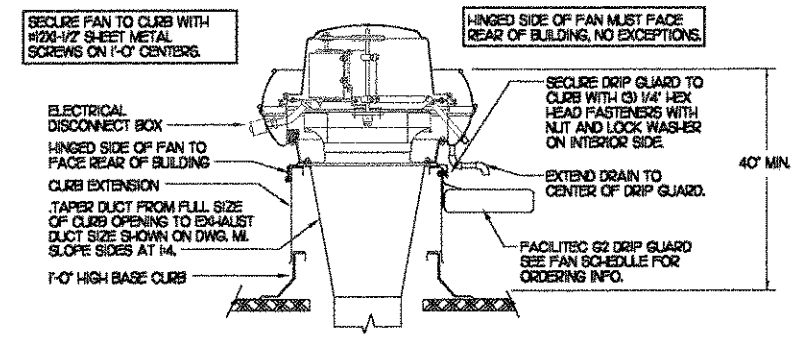
**4 RESTROOM EXHAUST FAN**

NO SCALE



**1 SAG/RAG/GRILLE TAKE-OFF**

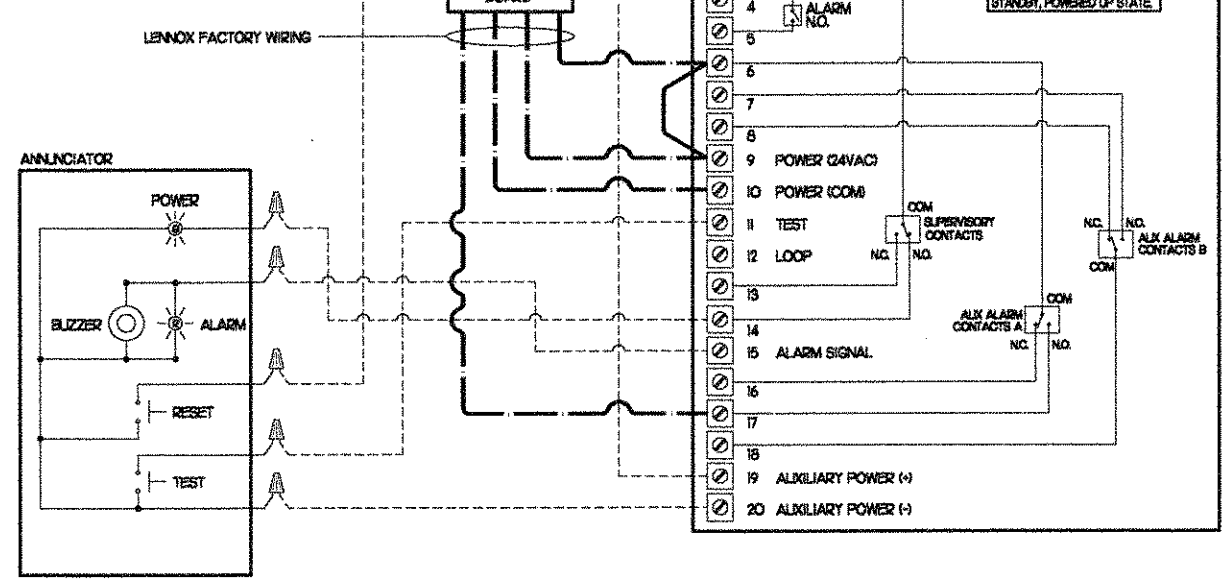
NO SCALE



**3 KITCHEN HOOD EXHAUST FAN**

NO SCALE

LEGEND  
--- 18 AWG WIRING BY MECH CONTRACTOR  
--- FACTORY ANNUNCIATOR DETECTOR WIRING  
--- FACTORY LENNOX WIRING



**5 SMOKE DETECTOR AND ANNUNCIATOR WIRING DIAGRAM**

NO SCALE

**6 WATER HEATER VENT/C.A. ROUTING**

NO SCALE

