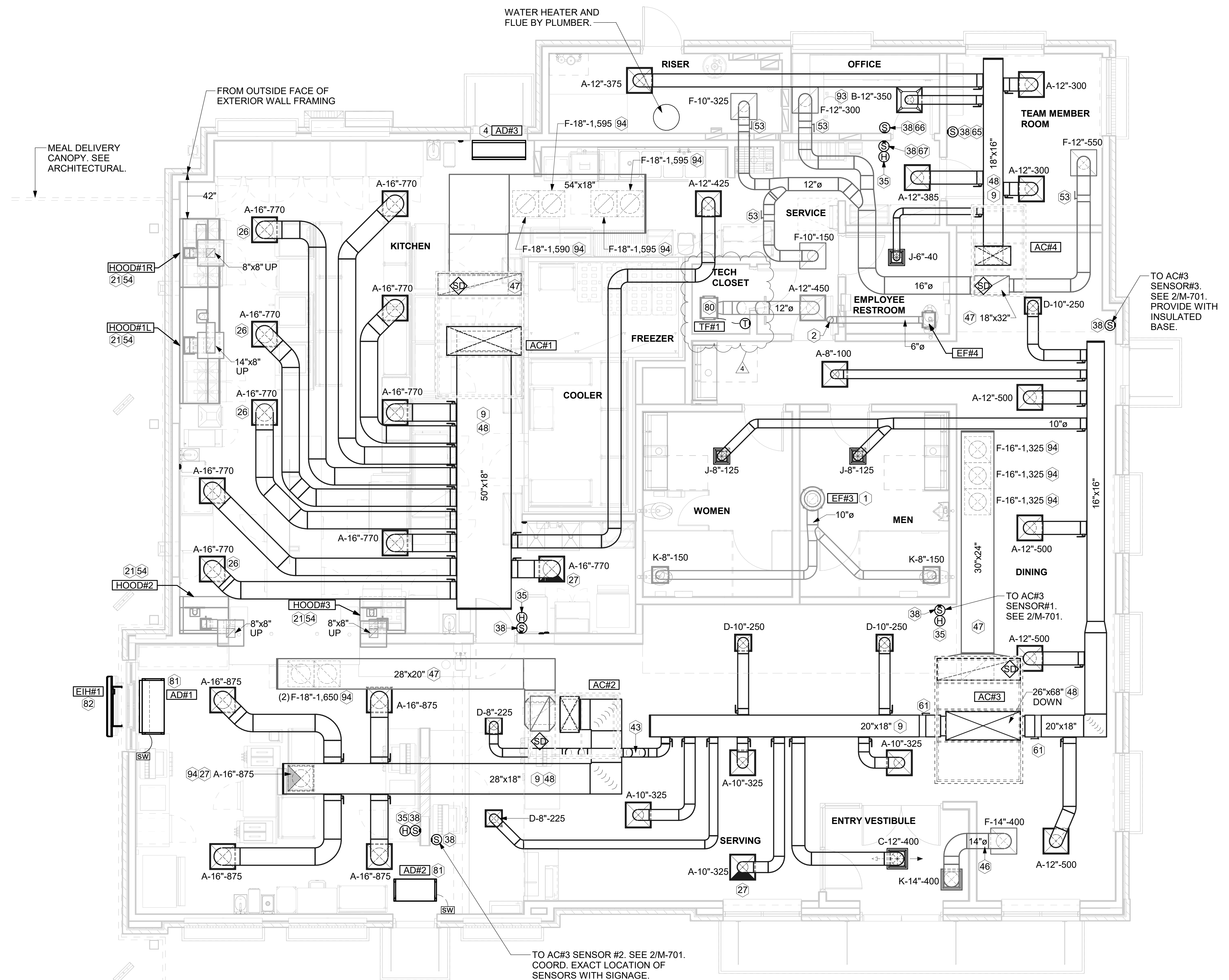


KEY NOTES

- 1 10" DIA. DUCT UP THRU ROOF.
- 2 PROVIDE DUCT AS SHOWN. TERMINATE DUCT 24" ABOVE ROOF WITH ALUMINUM WEATHER CAP WITH INTEGRAL BIRD SCREEN. EXHAUST DUCT DISCHARGE SHALL BE LOCATED A MINIMUM OF 10 FT FROM ANY OUTSIDE AIR INTAKE.
- 4 AIR CURTAIN MOUNTED OVER DOOR HEADER AT 7'-2" AFF TO BOTTOM OF UNIT. PROVIDE BLOCKING IN WALL BEHIND AIR CURTAIN. USE FACTORY PRE-PUNCHED MOUNTING HOLES ON BACK SIDE OF AIR CURTAIN ONLY. ATTACH AIR CURTAIN TO WALL USING 3/8" LAG BOLTS, LENGTH AS REQUIRED TO FULLY PENETRATE BLOCKING. LOCATE MAGNETIC CONTACT TYPE MICROSWITCH IN DOOR FRAME ON STRIKE SIDE.
- 9 BRANCH TAKE-OFFS ARE NOT TO BE LOCATED CLOSER THAN 3'-0" FROM ANY OFFSET OR ELBOW INCLUDING THE SUPPLY AIR DROP FROM CURB.
- 21 HALTON KBD DAMPER AT HOOD COLLAR BY MECHANICAL CONTRACTOR. SEE HOOD ELEVATIONS ON M-201 FOR LOCATION.
- 26 MECHANICAL CONTRACTOR TO ADJUST PATTERN DEFLECTORS TO THROW STRAIGHT DOWN.
- 27 MECHANICAL CONTRACTOR TO CLOSE THE AIR PATTERN DEFLECTORS ON SHADED SIDE.
- 35 MOUNT HUMIDITY SENSOR ON WALL ABOVE SPACE TEMP SENSOR AND ROUTE WIRING TO UNIT ON ROOF.
- 38 MOUNT REMOTE SENSOR ON WALL AT 5'-0" AFF U.N.O. AND ROUTE WIRING BACK TO SUNCOAST TEMP CONTROL PANEL. FOR SENSOR SERVING AC#1, COORDINATE EXACT LOCATION WITH KITCHEN EQUIPMENT.
- 43 ROUTE DUCT WITHIN STRUCTURE.
- 46 TRANSFER DUCT. NO BALANCING DAMPER.
- 47 TRANSITION IN VERTICAL DROP FROM FULL SIZE OF CURB OPENING TO SIZE SHOWN. SEE DETAIL 6/M-501 FOR REQUIRED TRANSITION GEOMETRY. TRANSITION WITHIN CURB WHERE REQUIRED TO AVOID STRUCTURE. WHERE THE DUCT IS SHOWN OFFSET HORIZONTALLY, PROVIDE ELBOW WITHOUT TURNING VANES. FOR DROPS WITH NO HORIZONTAL OFFSET, EXTEND DROP BELOW STRUCTURE TO ACCOMMODATE START COLLARS. TERMINATE DROP A MINIMUM 0'-10" ABOVE CEILING (0'-4" ABOVE CEILING IF REQUIRED TO ACCOMMODATE TAKE-OFF AND DROP IS NOT LOCATED DIRECTLY ABOVE A LIGHT).
- 48 TRANSITION IN VERTICAL DROP FROM FULL SIZE OF CURB OPENING TO SIZE SHOWN. TRANSITION WITHIN CURB WHERE REQUIRED TO AVOID STRUCTURE. WHERE THE DUCT IS SHOWN OFFSET HORIZONTALLY, PROVIDE ELBOW WITH TURNING VANES. FOR DROPS WITH NO HORIZONTAL OFFSET, EXTEND DROP BELOW STRUCTURE TO ACCOMMODATE START COLLARS. TERMINATE DROP A MINIMUM 0'-10" ABOVE CEILING (0'-4" ABOVE CEILING IF REQUIRED TO ACCOMMODATE TAKE-OFF AND DROP IS NOT LOCATED DIRECTLY ABOVE A LIGHT).
- 53 RUSKIN MDRS25 MVD W/LOCKING QUADRANT HANDLE.
- 54 SEE ELEVATIONS ON M-201 FOR C.J. FAN DUCTING REQUIREMENT.
- 61 PROVIDE RUSKIN CD35 MANUAL BALANCING DAMPER WITH 6" MAXIMUM BLADE WIDTH, OPPOSED BLADE ACTION, LOCKING QUADRANT HANDLE WITH 2" STANDOFF AND 16 GA GALVANIZED BLADE AND FRAME CONSTRUCTION.
- 65 TO AC#4, SENSOR #1. SEE 2/M-701.
- 66 TO AC#4, SENSOR #2. SEE 2/M-701.
- 67 TO AC#4, SENSOR #3. SEE 2/M-701.
- 80 CEILING MOUNTED RECIRCULATING FAN. DUCT AND DISCHARGE TO TYPE 'A' DIFFUSER AS SHOWN.
- 81 MOUNT AIR DOOR IN CEILING, CENTERED ON DRIVE-THRU/MFA DOOR OPENING. REFER TO WIRING DIAGRAM ON SHEET M-702 FOR MORE INFORMATION.
- 82 ELECTRIC HEATER. MC TO MOUNT ON WALL PER MANUFACTURER'S RECOMMENDATIONS.
- 93 MAXIMUM HEATING AND COOLING AIRFLOWS INDICATED. SET MINIMUM AIRFLOW TO 25 CFM.
- 94 TAKE OFF WITH DAMPER AT THE BOTTOM OF DUCTWORK, TYP.



1 EQUIPMENT AND DUCTWORK PLAN

1/4" = 1'-0"

H.E.S. SYSTEM
MECHANICAL CONTRACTOR TO PROVIDE AND INSTALL SUNCOAST H.E.S. SYSTEM FOR ALL HOODS. SEE HOOD FAN/EQUIPMENT INTERLOCK WIRING DIAGRAM ON M-702 FOR MORE INFORMATION.

AIR BALANCE SCHEDULE TRANE					
Mark	SUPPLY AIR	RETURN AIR	OUTSIDE AIR	EXHAUST AIR	BUILDING POSITIVE PRESSURE
AC#1	8,125	6,375	1,750	0	
AC#2	4,375	3,300	1,075	0	
AC#3	5,250	3,975	1,275	0	
AC#4	1,750	1,325	425	0	
EF#1	0	0	0	1,913	
EF#2	0	0	0	1,402	
EF#3	0	0	0	300	
EF#4	0	0	0	75	
	19,500	14,975	4,525	3,690	835



Chick-fil-A
5200 Buffington Road
Atlanta, Georgia
30349-2998

Kurzynske & Associates
2705 Lebanon Pike - Suite One
Nashville, Tennessee 37214
Telephone: (615) 255-5203



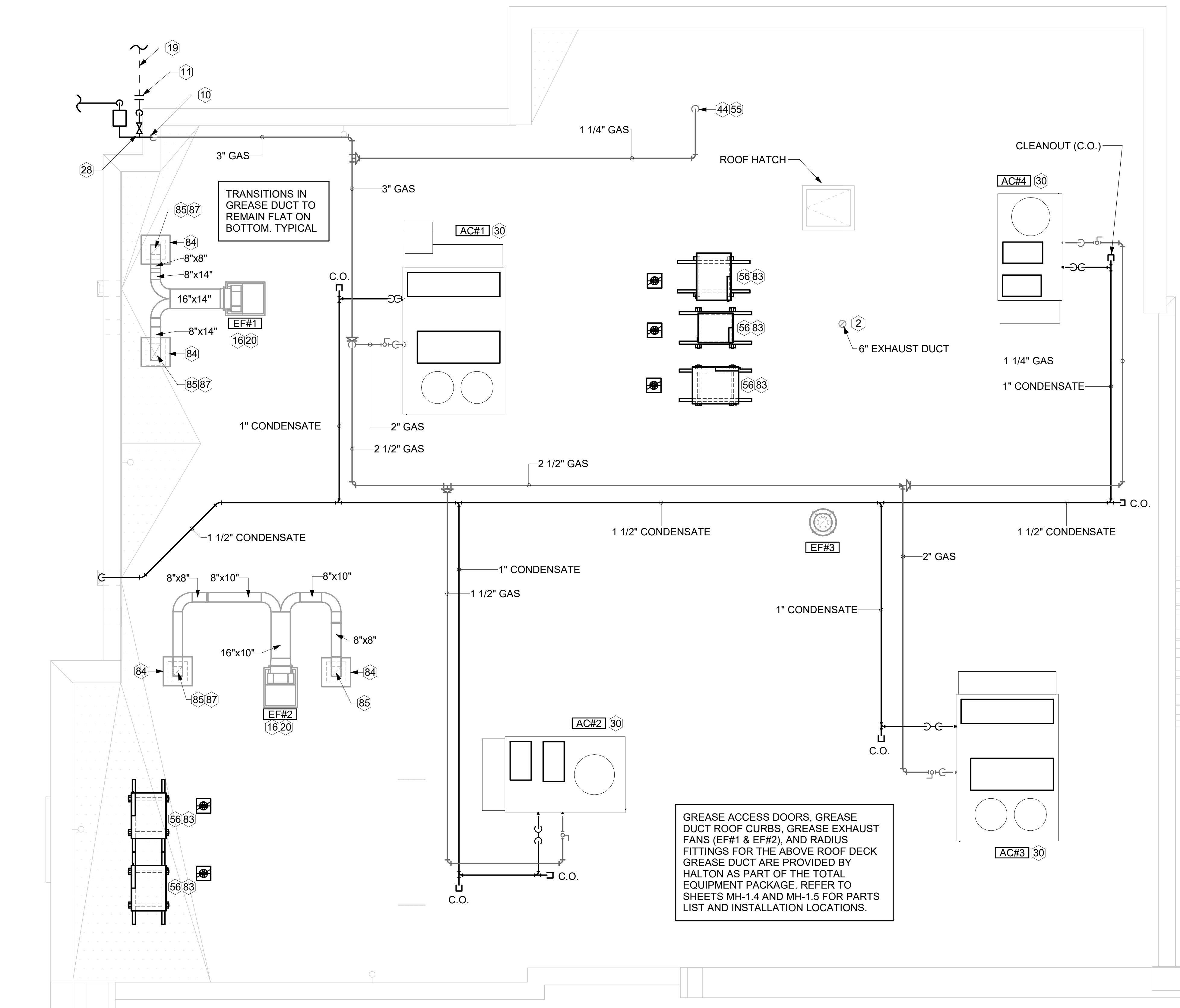
CHICK-FIL-A
Selden FSU
949 Middle Country Road
Selden, NY 11784

FSR#05426
BUILDING TYPE / SIZE: P14 SE BN
RELEASE: 23.09
ISSUED FOR CONSTRUCTION
REVISION SCHEDULE
NO. DATE DESCRIPTION
4 09/24/2024 ISSUE FOR CONSTRUCTION

ISSUED FOR CONSTRUCTION
CONSULTANT PROJECT # 24015.CD.S
DATE 09/24/2024
DRAWN BY BLM
Information contained on this drawing and in all digital files produced for above named project may not be reproduced in any manner without express written or verbal consent from authorized project representatives.
SHEET
EQUIPMENT AND DUCTWORK PLAN - TRANE
SHEET NUMBER
M-101

KEY NOTES

- 2 PROVIDE DUCT AS SHOWN. TERMINATE DUCT 24" ABOVE ROOF WITH ALUMINUM WEATHER CAP WITH INTEGRAL BIRD SCREEN. EXHAUST DUCT DISCHARGE SHALL BE LOCATED A MINIMUM OF 10 FT FROM ANY OUTSIDE AIR INTAKE.
- 10 TURN 3" GAS UP WITHIN WALL, THRU PARAPET AND ONTO ROOF.
- 11 ROUTE POLYETHYLENE GAS BELOW GRADE FROM THE METER. FOR TRANSITION FROM POLYETHYLENE PIPING BELOW GRADE TO STEEL AT THE METER, INSTALL ANODELESS RISER WITH INTEGRAL CONSTAB PE-TO-IPS TRANSITION FITTING BY CONTINENTAL INDUSTRIES OR EQUAL BY ELSTER.
- 16 VERIFY EXHAUST TERMINATION IS A MINIMUM 10'-0" FROM PARAPETS AND OUTSIDE AIR INTAKES.
- 19 1-1/2" GAS BELOW GRADE TO ORDER CANOPY, SEE DETAIL 2 SHEET M-103.
- 20 GREASE EXHAUST DUCT LOCATED ON ROOF SHALL SLOPE 1/4" PER FOOT TOWARDS THE HOOD, THE FAN, OR A COMBINATION OF THE TWO SUCH THAT NO PORTION OF THE RADIUS ELBOW AT THE CURB IS BELOW THE CURB CAP AND SUCH THAT THE FAN BASE SETS DIRECTLY ON THE CURB RAILS. THE BOTTOM OF THE RADIUS ELBOW MAY BE EVEN OR FLUSH WITH THE CURB CAP, BUT NOT BELOW THE CAP. THE DUCT AT THE FAN MUST BE CENTERED ON THE FAN INLET.
- 28 PROVIDE FULL PORT BALL VALVE EQUAL TO APOLLO 50GB SERIES WITH WINGS HANDLE OPTION ABOVE GRADE AT THE METER. PROVIDE BRASS VALVE TAG WITH JACK CHAIN AT VALVE MARKED "SERVICE SHUTOFF FOR CANOPY HEATERS."
- 30 MECHANICAL CONTRACTOR TO SEE ARCHITECTURAL ROOF PLAN FOR NOTES REGARDING LEVELING FRAMES FOR RTUS. COORDINATE WITH GENERAL CONTRACTOR EXACT LOCATIONS AND SIZE NEEDED.
- 44 1-1/4" GAS DOWN THRU ROOF TO WATER HEATER. SEE DETAIL 2/M-502 FOR MORE INFORMATION ON CONSTRUCTION AND PENETRATION.
- 55 SEE ARCHITECTURAL DETAILS FOR ROOFTOP PIPE PENETRATIONS.
- 56 GC SHALL PROVIDE EQUIPMENT STANDS AS MANUFACTURED BY AVCOA OR EQUAL STANDS SHALL BE INSTALLED PRIOR TO ROOF INSULATION SO THAT THE INSULATION IS CONTINUOUS UP TO THE PIPE POSTS. POSTS SHALL BE FLASHED IN ACCORDANCE WITH ROOFING MANUFACTURER'S INSTALLATION INSTRUCTIONS. COORDINATE BLOCKING BELOW THE ROOF DECK AS REQUIRED.
- 83 DO NOT DISCHARGE OF CONDENSING UNITS INTO CONDENSER SECTION OF ROOFTOP UNITS, TYP.
- 84 ROOF CURB FOR DUCT PENETRATION. REFER TO MH-1.4 AND MH-1.5 FOR DETAILS.
- 85 TURN DOWN THRU ROOF. SEE M-101 FOR CONTINUATION.
- 87 DUCT PENETRATIONS ON ROOF MUST BE AT LEAST 18" FROM ADJACENT PARAPETS.

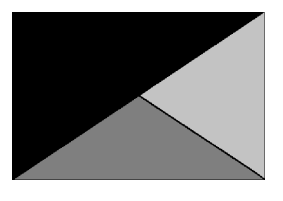


1 EQUIPMENT ROOF PLAN - TRANE
1/4" = 1'-0"

3. GAS LOAD SCHEDULE	
EQUIPMENT	GAS LOAD
AC#1	400,000 BTUS
AC#2	250,000 BTUS
AC#3	400,000 BTUS
AC#4	130,000 BTUS
IRH (2 @ 50,000 BTU EA.)	100,000 BTUS
IRH (FUTURE 4 @ 50,000 BTU EA.)	200,000 BTUS
WATER HEATER (P-19)	199,000 BTUS
TOTAL FUTURE CONNECTED LOAD	1,679,000 BTUS
REMARKS:	<ol style="list-style-type: none"> 1. EQUIVALENT TO 1,679.0 CFH 2. 7" W.C. DELIVERY PRESSURE 3. DEVELOPED LENGTH: 200 FT. (METER TO AC#4) 4. GAS PIPING SIZED FOR FUTURE LOAD 5. SIZED PER IFGC TABLE 402.4(2).



Chick-fil-A
5200 Buffington Road
Atlanta, Georgia
30349-2998



Kurzynske & Associates
2705 Lebanon Pike - Suite One
Nashville, Tennessee 37214
Telephone: (615) 255-5203



09/24/24

CHICK-FIL-A
Selden FSU

949 Middle Country Road
Selden, NY 11784

FSR#05426

BUILDING TYPE / SIZE: P14 SE BN
RELEASE: 23.09
PRINTED FOR:
ISSUED FOR CONSTRUCTION

REVISION SCHEDULE

NO.	DATE	DESCRIPTION

ISSUED FOR CONSTRUCTION

CONSULTANT PROJECT # 24015.CD.S
DATE 09/24/2024
DRAWN BY BLM

Information contained on this drawing and in all digital files produced for above named project may not be reproduced in any manner without express written or verbal consent from authorized project representatives.

SHEET
EQUIPMENT ROOF PLAN - TRANE

SHEET NUMBER
M-102

ROOFTOP UNIT SCHEDULE - TRANE

MARK	TOTAL COOLING MBH	SENSIBLE COOLING MBH	HEATING INPUT MBH	HEATING OUTPUT MBH	SUPPLY AIRFLOW (CFM)	OA (CFM)	HP	# OF FANS	ESP (in-wg)	EER	IEER/SEER	VOLTAGE (V)	PHASE	MCA (A)	MOCP (A)	MODEL	MFGR	REMARKS
AC#1	271.1	202.4	400	324	8,125	1,750	3	2	0.80	9.8	13	208	3	125	150	YSJ300A3S	TRANE	1,3,4,5,6,8,9,10,11,12,13,14,15,16
AC#2	150.9	114.9	250	202.5	4,375	1,075	4.6	1	0.80	10.8	14	208	3	71	90	YSJ150A3S	TRANE	1,3,4,5,6,8,9,10,11,12,13,14,15,16
AC#3	184.3	140.4	400	324	5,250	1,275	3	2	0.80	10.8	14	208	3	83	110	YSJ180A3S	TRANE	1,3,4,5,6,8,9,10,11,12,13,14,15,16
AC#4	58.1	44.2	130	104	1,750	425	1	1	0.80	13	17.2	208	3	33	45	YHC067E3R	TRANE	2,3,4,5,6,7,8,9,10,11,12,13,14,16

NOTES

- MECHANICAL CONTRACTOR TO VERIFY TRANE SUBMITTAL WITH CONSTRUCTION DOCUMENTS. NATIONAL ACCOUNTS - NO SUBSTITUTIONS PERMITTED - SEE DRAWING G-004.

REMARKS

- DIFFERENTIAL ENTHALPY ECONOMIZER WITH POWER EXHAUST. PROVIDE WITH FACTORY FAULT DETECTION AND DIAGNOSTICS.
- DIFFERENTIAL ENTHALPY ECONOMIZER WITH BAROMETRIC EXHAUST. PROVIDE WITH FACTORY FAULT DETECTION AND DIAGNOSTICS.
- 14" HIGH ROOF CURB. PROVIDE WITH CURBS PLUS RESTRAINT CLIP KIT FOR PROJECT WINDSPEED. WINDSPEED = 125 MPH.
- SEE DETAIL 2/M-701 FOR SETTING OF CONTROL PARAMETERS BY MC.
- FACTORY INSTALLED 115V GFI SERVICE OUTLET. SEPERATE 115V CIRCUIT PROVIDED BY ELECTRICAL CONTRACTOR.
- FACTORY INSTALLED RETURN AIR SMOKE DETECTOR.
- FACTORY INSTALLED NON-FUSED DISCONNECT.
- 2" MERV 8 THROW AWAY FILTERS.
- HINGED PANELS FOR ACCESS TO FILTER(S), FAN BLOWER & MOTOR, COMPRESSOR(S) ACCESS AND CONTROLS.
- FACTORY COIL HAIL GUARD, FIELD INSTALLED.
- HOT GAS DEHUMIDIFICATION OPTION WITH WALL MOUNTED HUMIDITY SENSOR.
- FACTORY INSTALLED BELT TENSIONER.
- FACTORY CONFIGURED PHASE LOSS PROTECTION.
- FACTORY INSTALLED CONDENSATE PAN DRAIN OVERFLOW SWITCH.
- PROVIDE FACTORY HIGH FAULT (65K) SCCR AND FACTORY CIRCUIT BREAKER.
- FRESH AIR TEMPERING KIT.

HOOD SCHEDULE

MARK	EXHAUST CFM	SP @ TAB PORT (in-wg)	CAPTURE JET CFM & S.P.	TYPE	COLLAR SIZE	WIDTH	DEPTH	HEIGHT	MANUFACTURER	MODEL	REMARKS
HOOD#1L	1,204	0.13	80 @ 0.30"	BACKSHELF	14"X8"	107"	37"	38"	HALTON	KVL-2 IC	1
HOOD#1R	709	0.13	47 @ 0.30"	BACKSHELF	8"X8"	63"	37"	38"	HALTON	KVL-2 IC	1
HOOD#2	701	0.3	30 @ 0.29"	BACKSHELF	8"X8"	45"	34"	38"	HALTON	KVL-C-IC	1
HOOD#3	701	0.3	30 @ 0.29"	BACKSHELF	8"X8"	42"	34"	38"	HALTON	KVL-C-IC	1

NOTES

DIMENSIONS OF HOODS INCLUDE BACK AND SIDE SPACERS (HEIGHT DOES NOT INCLUDE CLOSURE PANELS). NATIONAL ACCOUNTS - NO SUBSTITUTIONS PERMITTED - SEE DRAWING G-004.

REMARKS

- REFER TO HOOD SHOP DRAWINGS FOR HOOD CONSTRUCTION AND OPTIONS. HOOD SHOP DRAWINGS ARE INCLUDED FOR REFERENCE ON SHEETS MH-1.1, MH-1.2, AND MH-1.3.

HEATER SCHEDULE

MARK	HEATING INPUT		FRAME LENGTH	FRAME WIDTH	FRAME DEPTH	MOUNTING TYPE	VOLTAGE (V)	PHASE	FLA (A)	MOCP (A)	MODEL	MFGR	REMARKS
	INPUT (KW)	INPUT (MBH)											
EIH#1	6.00	0.0	56"	8.5"	3.5"	WALL BRACKET	208	1	29	40	BH0420035	BROMIC	1,2,3
IRH	0.00	50.0	48"	13.4"	9.7"	BRACKET	120	1	0	0	WB50-N7-CM	SPACE RAY	5,6,7

NOTES

- CONFIRM HEATER QUANTITY WITH CANOPY SHOP DRAWINGS.
- NATIONAL ACCOUNT NO SUBSTITUTIONS PERMITTED - SEE DRAWING G-004.

REMARKS

- STAINLESS STEEL LENS WITH BLACK EMISSIVE COATING.
- PROVIDE ENGRAVED PLASTIC LABEL AT EACH UNIT WITH UNIT DESIGNATION IN 1" HIGH WHITE LETTERS ON A BLACK BACKGROUND.
- PROVIDE BLACK HEATER WITH HIGH TEMPERATURE COATING, AND MANUFACTURER MOUNTING BRACKETS.
- NOT USED.
- STEEL BURNER WITH CERAMIC BURNER TILES.
- PROVIDE ENGRAVED PLASTIC LABEL AT EACH UNIT WITH UNIT DESIGNATION IN 1" HIGH WHITE LETTERS ON A BLACK BACKGROUND. MOUNT TO CANOPY DECK, FACING FORWARD, 12" Laterally FROM THE LONG SIDE OF THE HEATER.
- STAINLESS STEEL HEAT SHIELDS PROVIDED BY TOM BARROW COMPANY.

FAN SCHEDULE

MARK	FAN CFM	ESP (in-wg)	MOTOR RPM	HP	AREA SERVED	VOLTAGE (V)	PHASE	FLA (A)	MOCP (A)	MODEL	MANUFACTURER	REMARKS
CF-1	1,900	0.01	1,625	0.1	OUTDOOR CANOPY	120	1	1.1	20	U-18-TE-HD	TPI	20,21,24
EF#1	1,913	0.75	1,331	0.75	HOOD#1	120	1	13.8	25	KEFB-14-CFA	HALTON	1,2,3,4,5,6,7,8,9,10,11
EF#2	1,402	0.95	1,199	0.75	HOOD#2 & HOOD#3	120	1	13.8	25	KEFB-14-CFA	HALTON	1,2,3,4,5,6,7,8,9,10,11
EF#3	300	0.375	1,550	0.125	RESTROOMS	120	1	2.2	20	XRED-095-VG	ACCUREX	1,3,11,12,13,14,15,16
EF#4	75	0.26	900	0.02	RESTROOMS	120	1	0.2	20	SP-A90	GREENHECK	1,22,23
TF#1	450	0.3	1,144	0.127	TECH CLOSET	120	1	2.5	20	SP-A510-VG	GREENHECK	1,17,18,19

NOTES

- GREASE EXHAUST FAN RPM BASED ON 80 DEGREE F AIR AT 1000 FEET ABOVE SEA LEVEL.

REMARKS

- FANS SUPPLIED BY HALTON.
- U.L. 705 LISTED AND LABELED FOR RESTUARANT APPLICATIONS.
- FACTORY INSTALLED PREWIRED DISCONNECT SWITCH.
- 19" HIGH ROOF CURB.
- INSTALL ROOFTOP SOLUTIONS G2 DRIP GUARD. MECHANICAL CONTRACTOR TO CONTACT ROOFTOP SOLUTIONS AT 800-913-7034.
- FACTORY WEATHER HOUSING W/ HINGED ACCESS DOOR.
- FACTORY DRAIN CONNECTION.
- FACTORY BOLTED ACCESS DOOR ON SCROLL.
- FACTORY INSTALLED BELT DRIVE WITH ADJUSTABLE MOTOR SHEAVE, SPARE BELT, AND BELT TENSIONER.
- FACTORY INSTALLED OUTLET WITH QUICK RELEASE, HINGED ACCESS, AND GRAVITY BACKDRAFT DAMPER.
- INTEGRAL THERMAL OVERLOAD.
- BIRDSCREEN.
- BACKDRAFT DAMPER IN DUCT BY MECHANICAL CONTRACTOR AS SHOWN ON 5/M-501.
- STARTER BY ELECTRICAL CONTRACTOR. INTERLOCK WITH LIGHTS BY ELECTRICAL CONTRACTOR.
- 12" HIGH CURB.
- FACTORY INSTALLED AND WIRED SPEED CONTROLLER.
- PROVIDE NEMA 1 PREWIRED DISCONNECT.
- INTEGRAL POTENTIOMETER ON FAN MOTOR. SET TO FULL SPEED.
- PROVIDE THERMOSTAT / TEMPERATURE CONTROLLER. SET TO 76°F.
- INSTALL PER MANUFACTURER'S RECOMMENDATIONS.
- PROVIDE WITH ON/OFF SWITCH.
- FAN SHALL BE CONTROLLED WITH THE ROOM LIGHTING. ALL WIRING IS BY THE ELECTRICAL CONTRACTOR.
- DIRECT DRIVE CEILING FAN. PROVIDE DISCONNECT SWITCH. INTEGRAL BACKDRAFT DAMPER, AND MANUFACTURER'S FAN SPEED CONTROLLER.
- FAN SUPPLIED BY TOM BARROW.

AIR DOOR SCHEDULE

MARK	CFM	VELOCITY (FPM)	HEATING (KW)	MOTOR HP	MCA (A)	MOCP (A)	VOLTAGE (V)	PHASE	AREA SERVED	MODEL	MANUFACTURER	REMARKS
AD#1	1,543	2,338	10	0.75	31.4	40	208	3	DRIVE THRU	CHA-1-48E	POWERED AIRE	1,2,3,5
AD#2	1,197	2,443	10	0.75	31.4	40	208	3	SERVING	CHA-1-36E	POWERED AIRE	1,2,3,4
AD#3	3,867	4,218	0	0.75	3.6	20	208	1	REAR DOOR	RBT-1-48	POWERED AIRE	4

NOTES

- NATIONAL ACCOUNT - NO SUBSTITUTIONS PERMITTED - SEE DRAWING G-004

REMARKS

- FACTORY PROVIDED, WIRED, AND UNIT MOUNTED SPEED CONTROLLER ABOVE CEILING.
- FACTORY WIRED DISCONNECT.
- FACTORY PROVIDED FIELD IS INSTALLED BY MC. REMOTE WALL SWITCHES FOR HEATING ON/OFF AND FAN ON/AUTO SWITCH. SEE DETAILS ON M-702.
- FACTORY PROVIDED MAGNETIC DOOR CONTACT WITH FACTORY INSTALLED LOW VOLTAGE CONTROLS LOCATED IN AIR DOOR CABINET.
- PROVIDE WITH A DIVERTER BOX. PROVIDE WITH MOUNTING BRACKETS PER MANUFACTURER'S RECOMMENDATIONS.

AIR DEVICE SCHEDULE

MARK	DESCRIPTION	LOCATION	NECK SIZE	FACE SIZE	FRAME TYPE	REMARKS
A	PRICE MODEL APDC ALUMINUM SUPPLY AIR DIFFUSER WITH INDIVIDUALLY ADJUSTABLE CURVED AIR PATTERN CONTROLLERS.	DINING/KITCHEN	VARIES	24"x24"	LAY-IN	1,7
B	VARITHERM PLAQUE DIFFUSER	OFFICE	12"	24"x24"	LAY-IN	1,7,8
C	PRICE MODEL SMCD STEEL SUPPLY AIR DIFFUSER FIELD ADJUSTABLE AIR PATTERN CONTROLLERS.	ENTRY	16"x16"	19"x19"	BEVELLED	1,3,5,6
D	PRICE MODEL APDC ALUMINUM SUPPLY AIR DIFFUSER WITH INDIVIDUALLY ADJUSTABLE CURVED AIR PATTERN CONTROLLERS.	DINING	VARIES	16"x16"	SURFACE	1,3,5,6
F	PRICE MODEL 80 EGGCRATE RETURN AIR GRILLE WITH REMOVABLE WHITE CORE, FACTORY FLAT BLACK BACKPAN AND ROUND NECK.	DINING/OFFICE/ KITCHEN	VARIES	24"x24"	LAY-IN	1,7
J	PRICE MODEL SMCD STEEL SUPPLY AIR DIFFUSER FIELD ADJUSTABLE AIR PATTERN CONTROLLERS.	RESTROOMS	10"x10"	15"x15"	BEVELLED	1,2,3,5,6
K	PRICE MODEL APDDR ALUMINUM PERFORATED FACE RETURN AIR GRILLE.	RESTROOMS/ ENTRY	14"x14"	16"x16"	SURFACE	1,4,5,6

NOTES

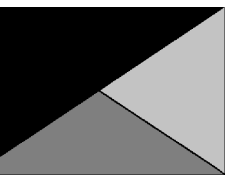
- NATIONAL ACCOUNT - NO SUBSTITUTIONS PERMITTED - SEE DRAWING G-004

REMARKS

- STANDARD OFF WHITE FINISH.
- PROVIDE MODEL VCS3 NECK DAMPER.
- SEE DRAWING M-101 FOR THROW.
- PROVIDE MODEL VCR7 NECK DAMPER ON GRILLES IN RESTROOMS SERVING EXHAUST FAN.
- PROVIDE BACKPAN. MC TO SEAL JOINTS WITH MASTIC AND INSULATE EXTERNALLY.
- FIELD INSULATE BACKPAN AS SHOWN ON DETAIL 3/M-501.
- FACTORY INSULATED R-6 BACKPAN.
- PROVIDE RELIEF COLLAR ACCESSORY FOR VAV DIFFUSER.



Chick-fil-A
5200 Buffington Road
Atlanta, Georgia
30349-2998



Kurzynske & Associates
2705 Lebanon Pike - Suite One
Nashville, Tennessee 37214
Telephone: (615) 255-5203



09/24/24

CHICK-FIL-A
Selden FSU

949 Middle Country Road
Selden, NY 11784

FSR#05426

BUILDING TYPE / SIZE: P14 SE BN
RELEASE: 23.09
PRINTED FOR:
ISSUED FOR CONSTRUCTION

REVISION SCHEDULE
NO. DATE DESCRIPTION

ISSUED FOR CONSTRUCTION

CONSULTANT PROJECT # 24015.CD.S
DATE 09/24/2024
DRAWN BY BLM

Information contained on this drawing and in all digital files produced for above named project may not be reproduced in any manner without express written or verbal consent from authorized project representatives.

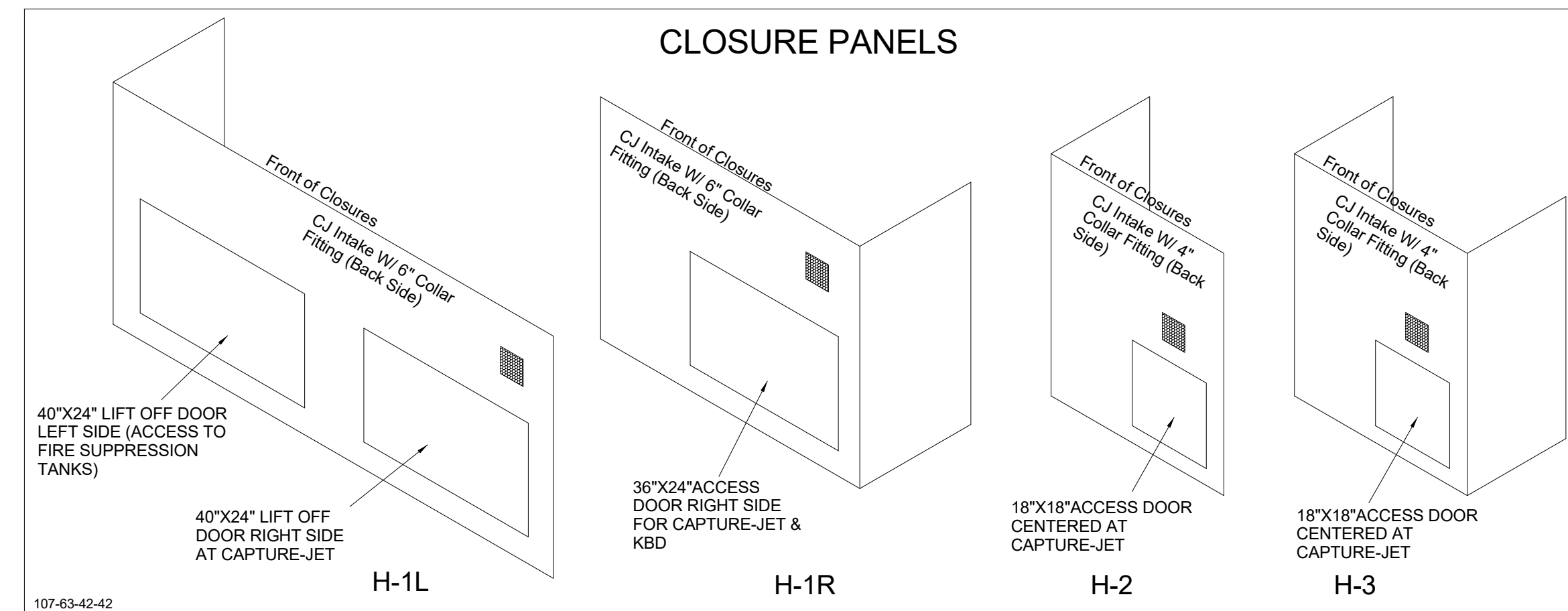
SHEET
EQUIPMENT SCHEDULES
- TRANE

SHEET NUMBER

M-601

HOOD MODEL	HOOD NUMBER	EXHAUST COLLAR			EXHAUST AIR INFORMATION			CAPTURE AIR INFORMATION		S.S. KSA FILTERS		CEILING CLOSURES				KBD DAMPER	K FACTOR (CFM = K FACTOR * $\sqrt{\Delta P}$)	MATERIAL	
		QTY	LENGTH	WIDTH	CFM	TAB	SP	CFM	SP	FULL	HALF	LED LIGHTS	QTY	CLOSURE HEIGHT	CEILING HEIGHT				HOOD WEIGHT
KVL-2-IC	H-1L	1	14"	8"	1204	0.13"	0.22"	80	0.30"	5	-	3	2	51"	122"	669 LBS	*	3365	EXPOSED SURFACES 18 GA. S.S.
KVL-2-IC	H-1R	1	8"	8"	709	0.13"	0.23"	47	0.30"	3	-	2	2			394 LBS	*	1959	
KVL-C-IC	H-2	1	8"	8"	701	0.30"	0.39"	30	0.29"	2	-	1	2			245 LBS	*	1291	
KVL-C-IC	H-3	1	8"	8"	701	0.30"	0.39"	30	0.29"	2	-	1	3			245 LBS	*	1291	

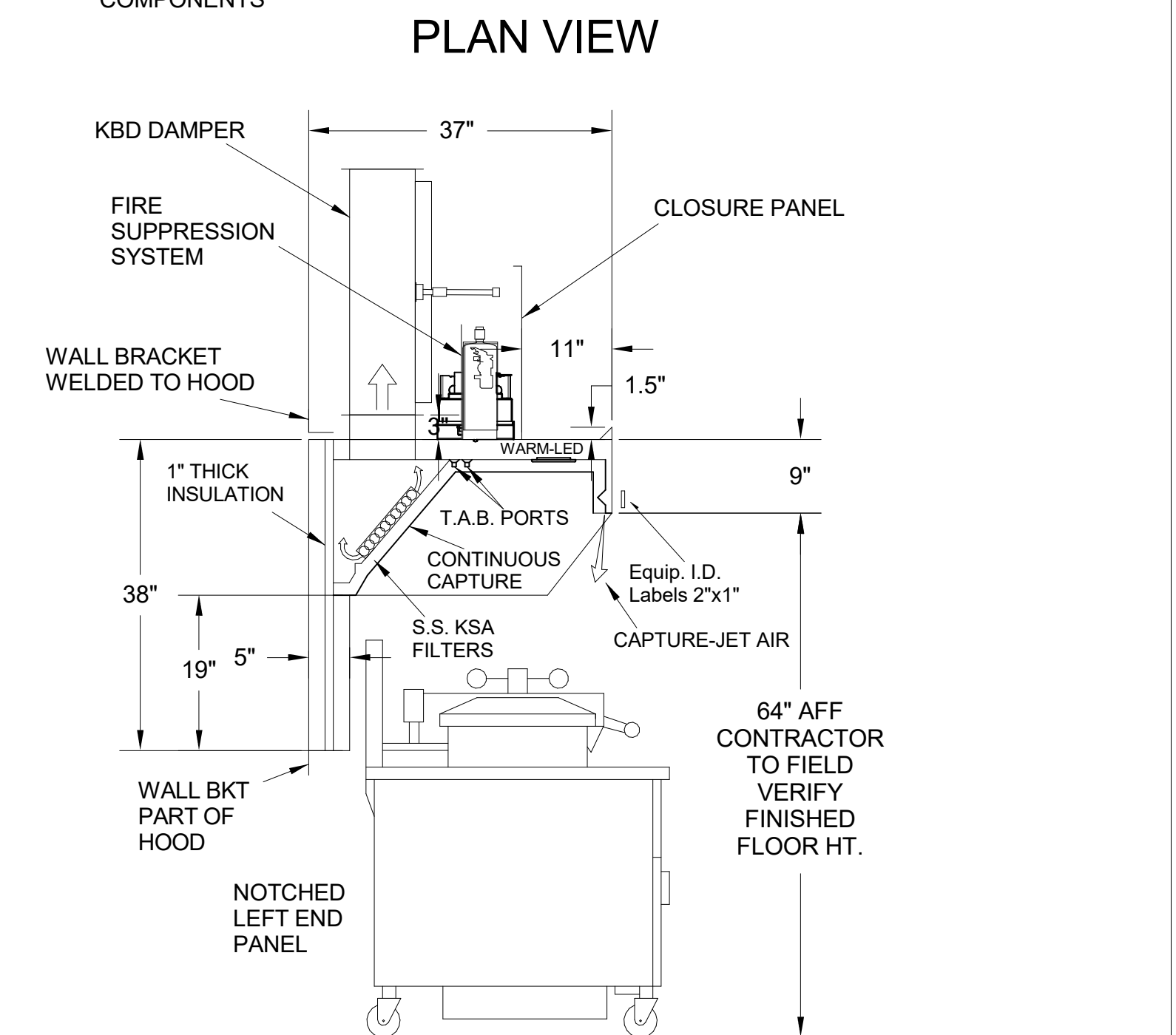
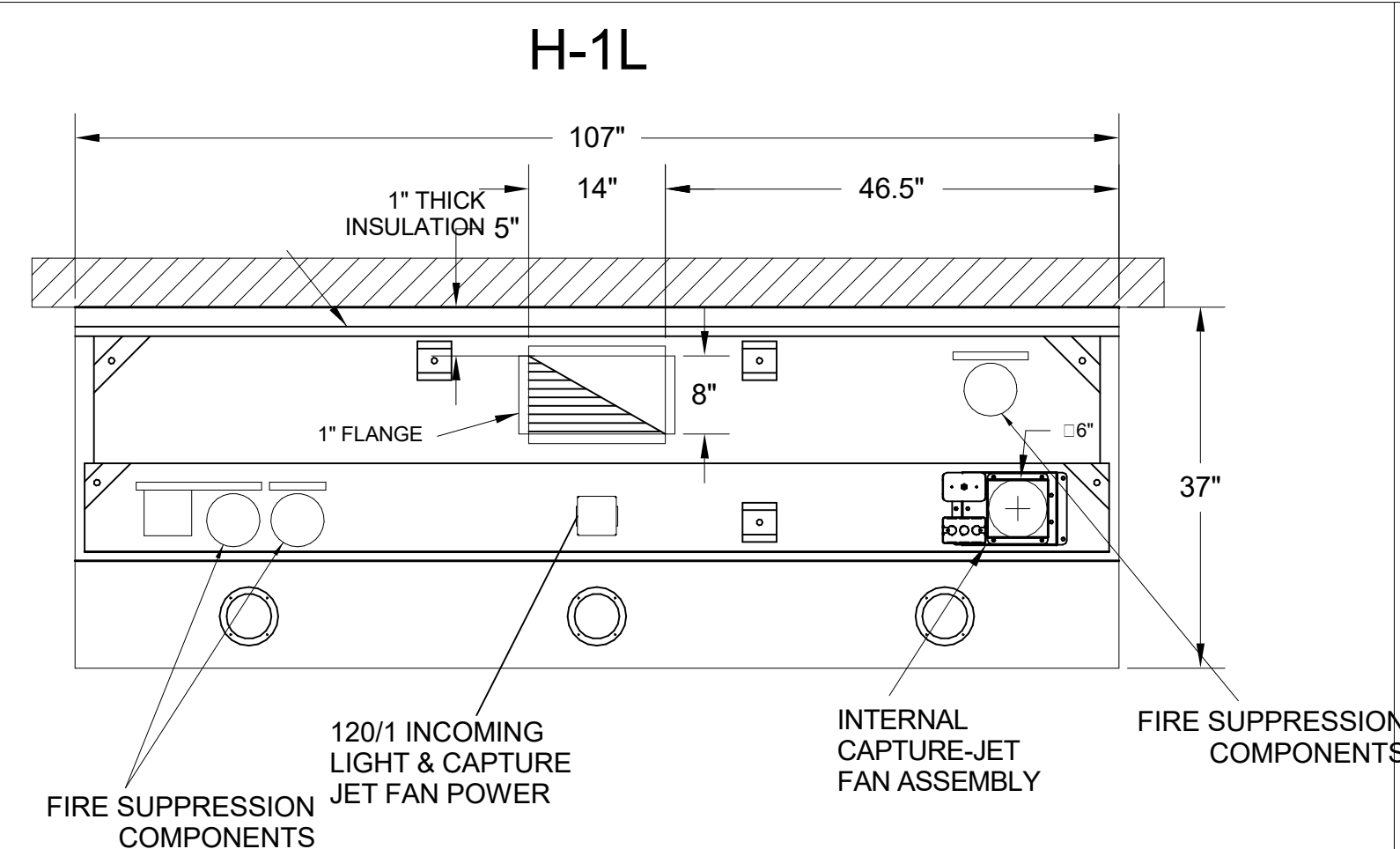
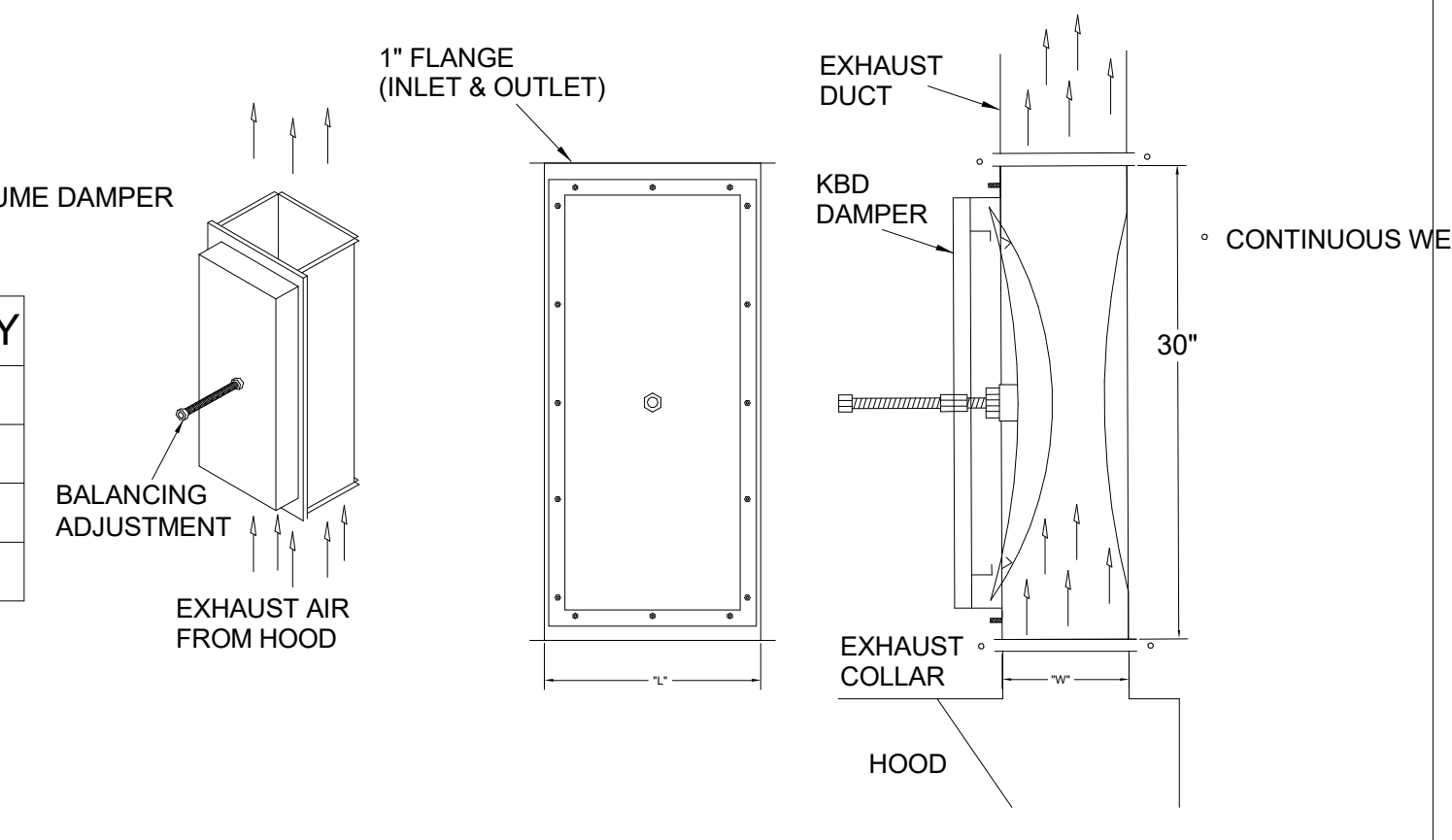
FOR REFERENCE ONLY



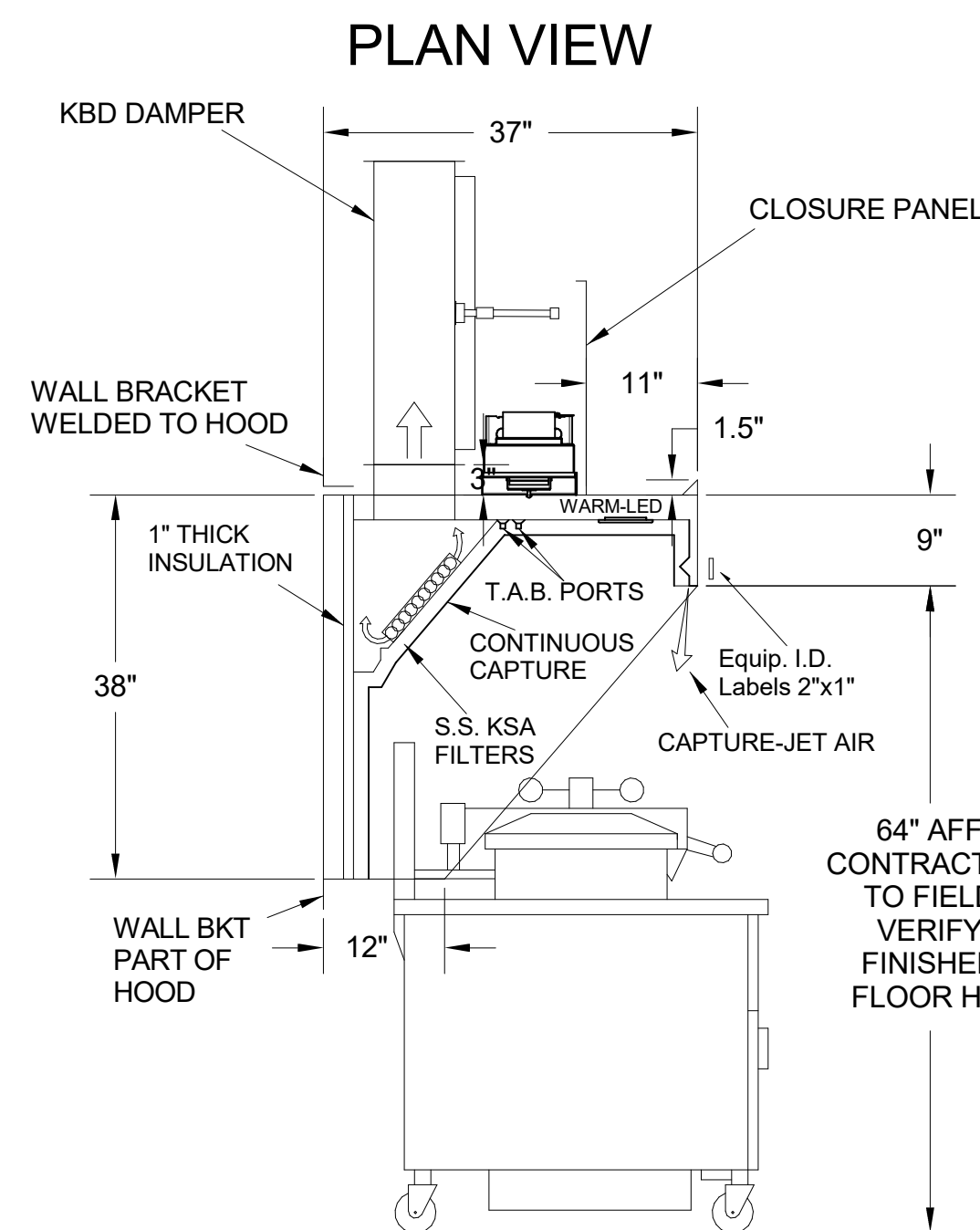
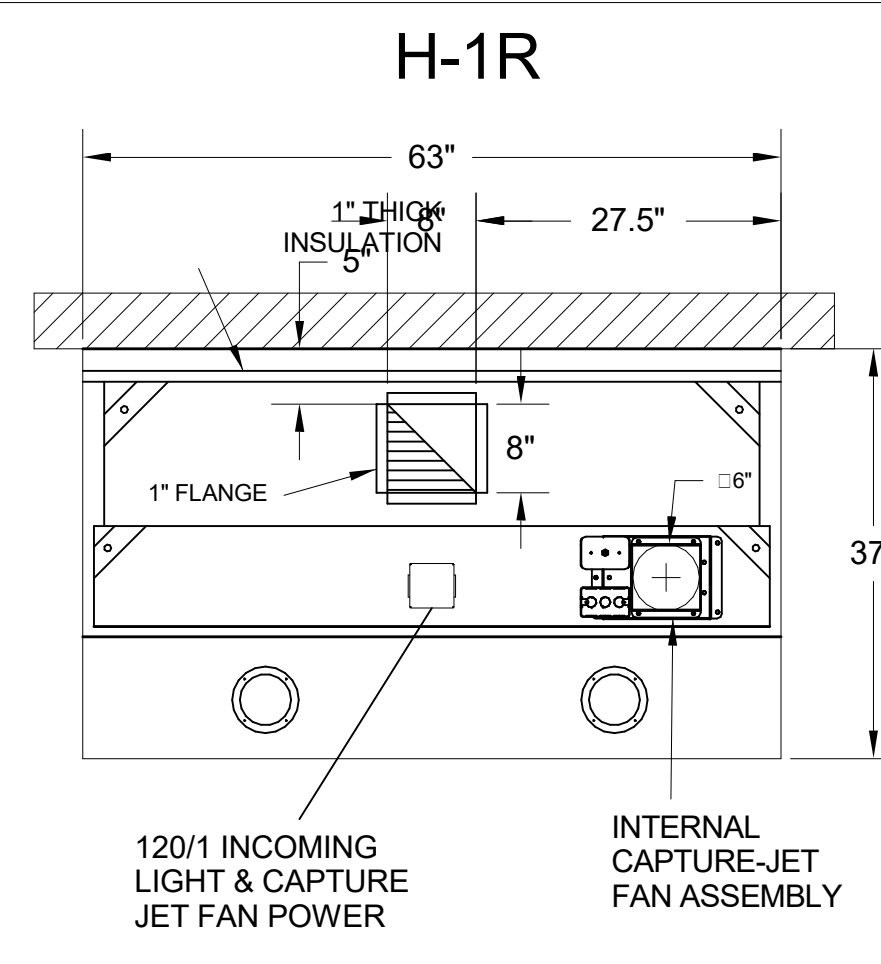
MODEL:KBD CALIBRATED
KITCHEN BALANCING DAMPER EXHAUST VOLUME DAMPER

TAG	"L"	"W"	QUANTITY
H-1L	14"	8"	1
H-1R	8"	8"	1
H-2	8"	8"	1
H-3	8"	8"	1

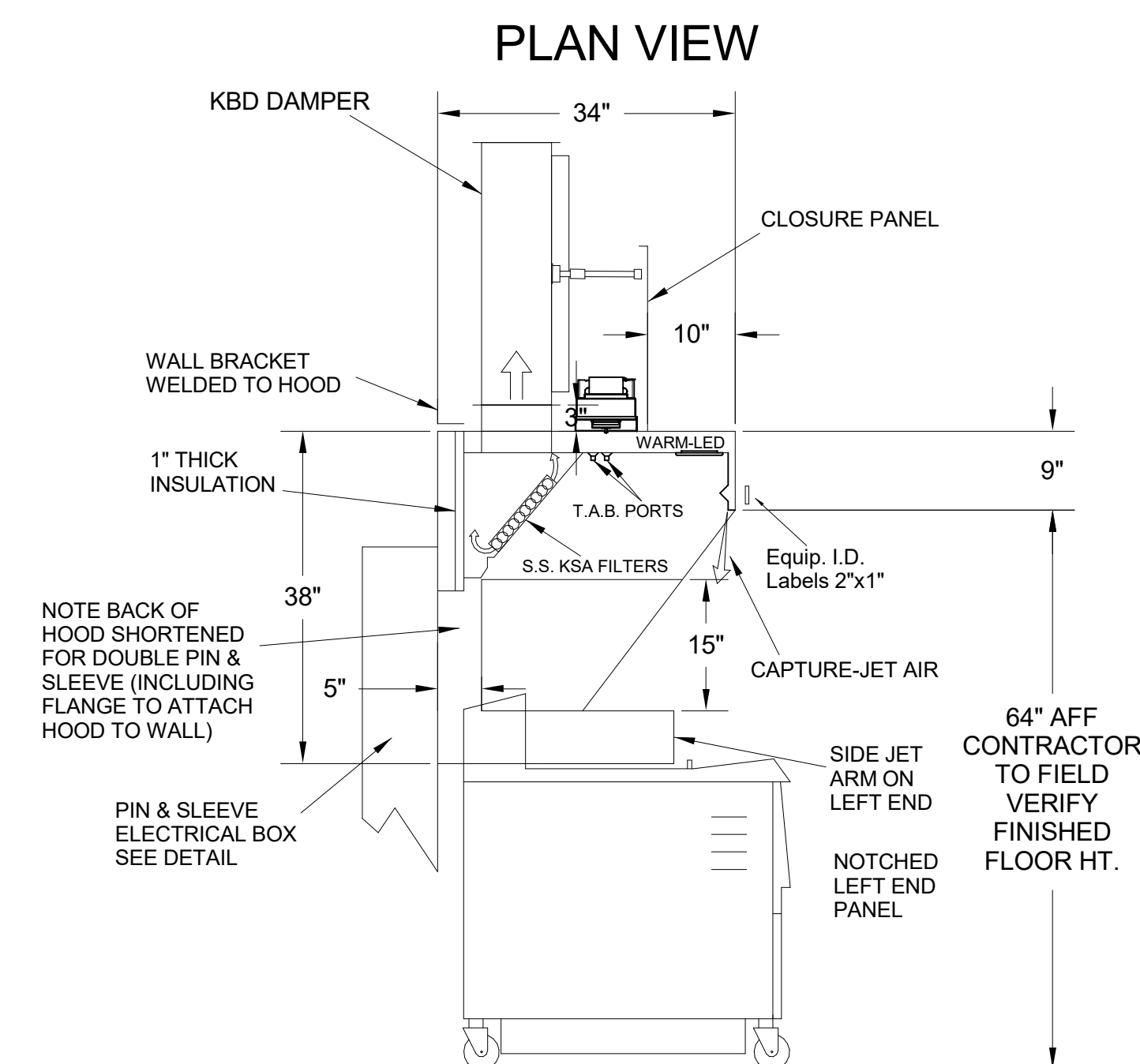
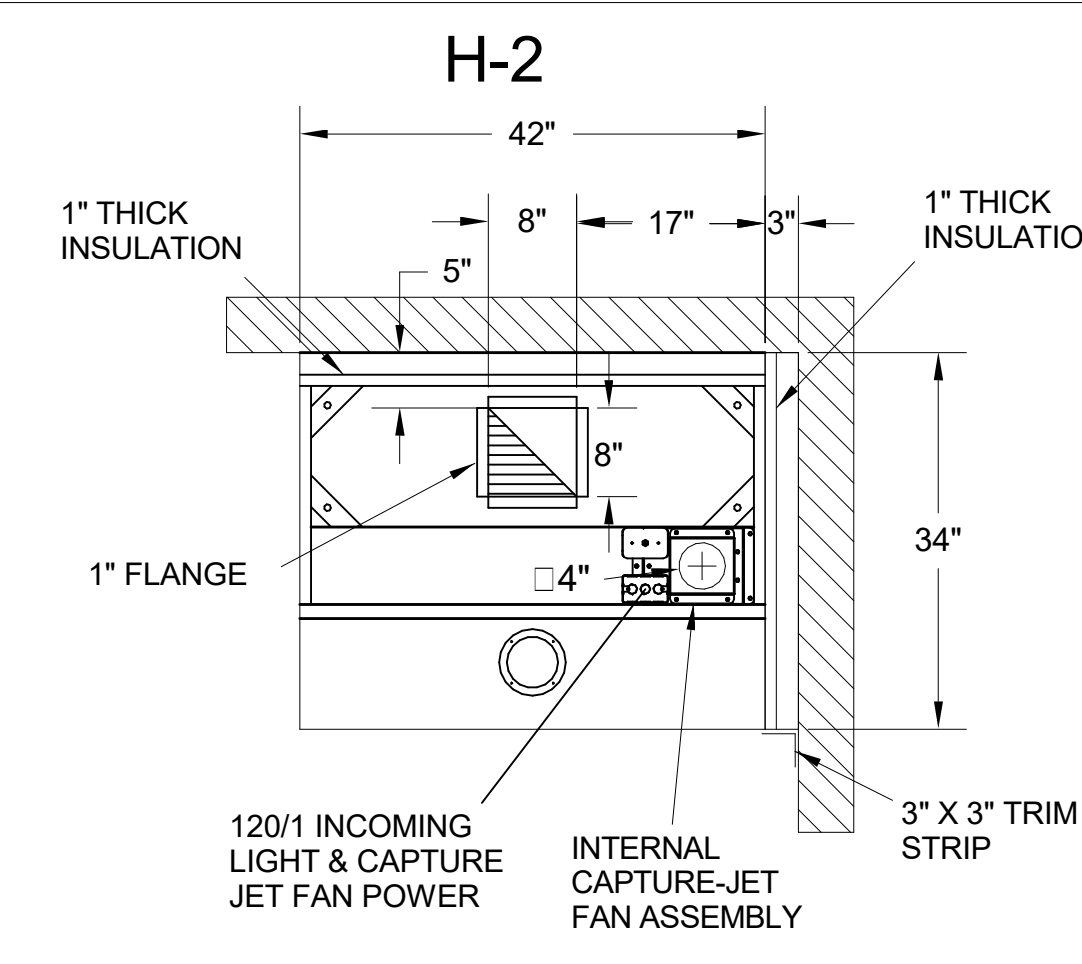
MATERIAL: FRAME - 16GA CONT. GALV.
ADJUSTABLE PANEL 18GA S.S.



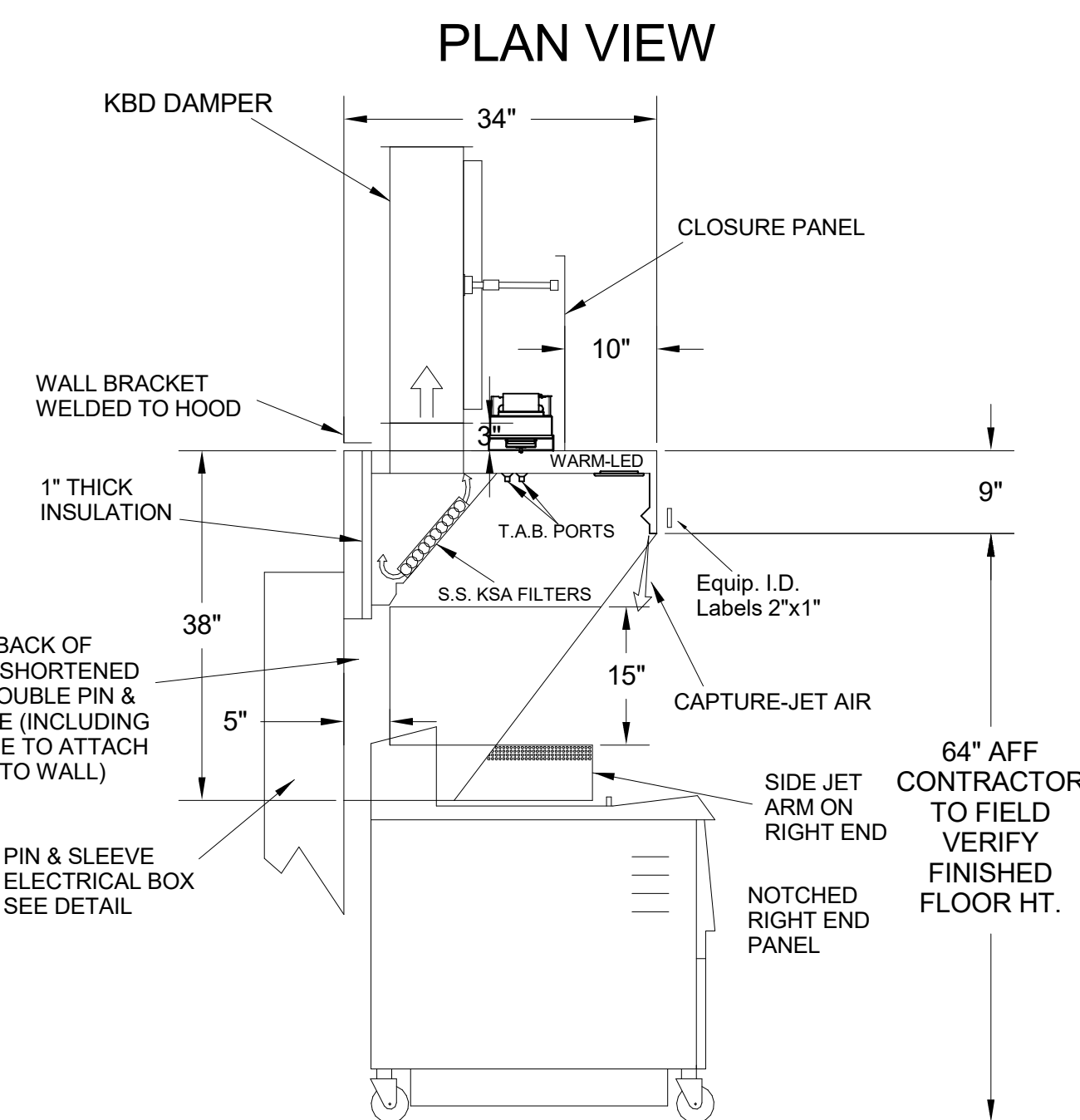
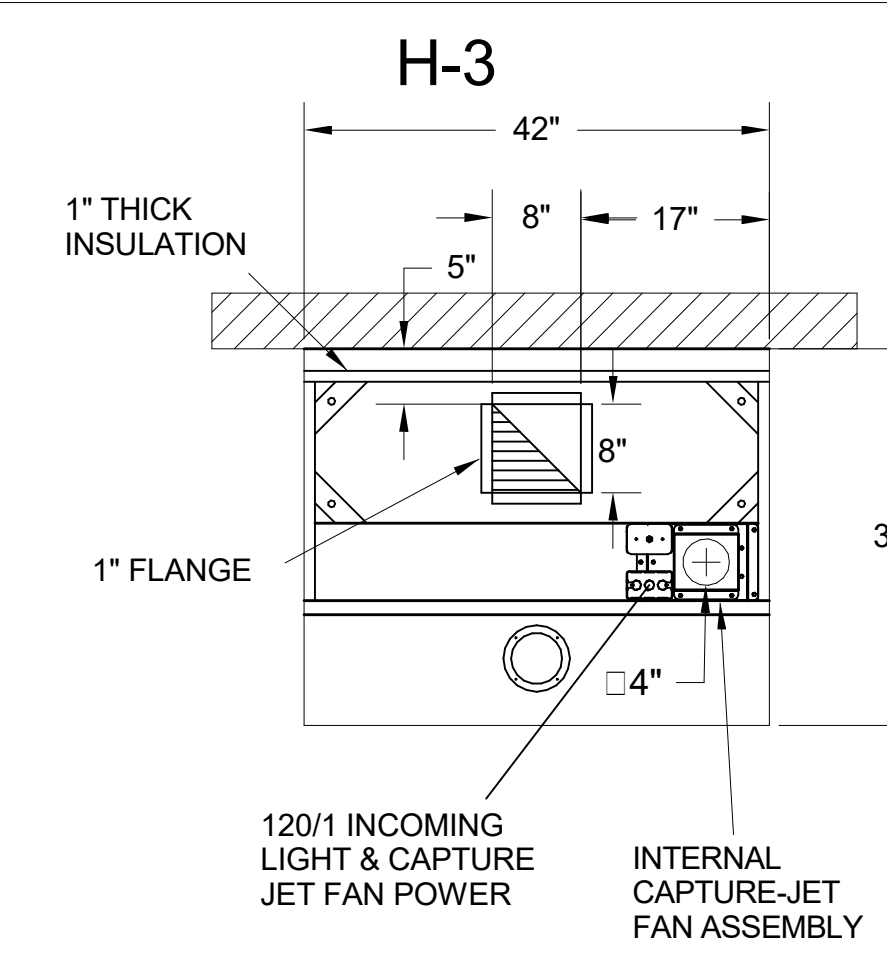
H-1L SECTION VIEW



H-1R SECTION VIEW

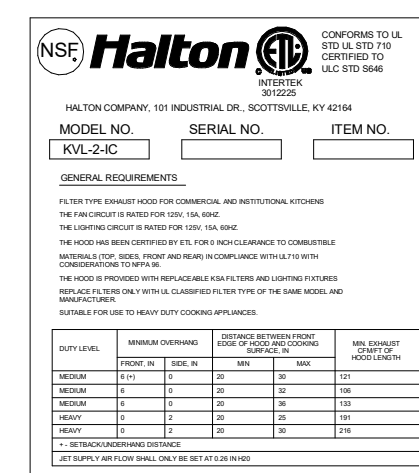


H-2 SECTION VIEW

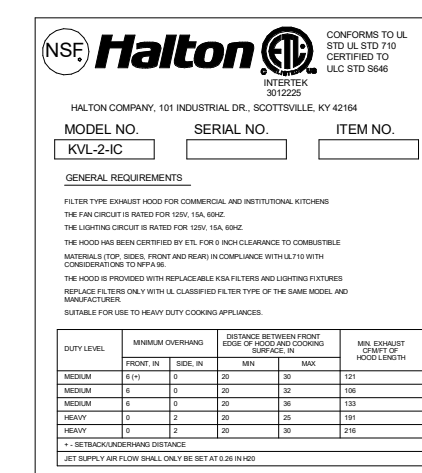


H-3 SECTION VIEW

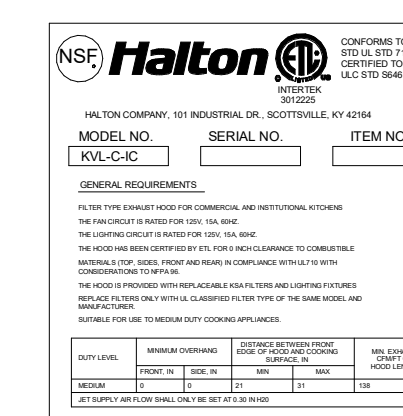
- CEILING CLOSURE RECESSED 11" FROM FRONT TO CREATE SHELF
- FRONT CLOSURE PANEL WITH 40"x24" LIFT OUT DOOR LEFT SIDE (ACCESS TO FIRE SUPPRESSION)
- 40"x24" LIFT DOOR RIGHT SIDE AT CAPTURE-JET WITH FRONT CJ INTAKE
- CONTINUOUS CAPTURE INTERNAL RIGHT END CUTOUT
- 3" REAR STAND-OFF TO HAVE 1" THICK INSULATION
- NOTCHED LEFT END PANEL
- EQUIPMENT COVERED:
(4) PRESSURE FRYERS
(2) GRILLS
- ANSUL WEIGHT = 286 LBS
• AMEREX WEIGHT = 264 LBS



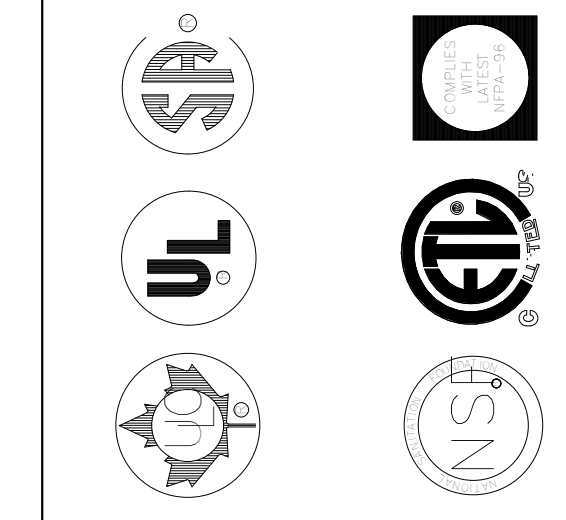
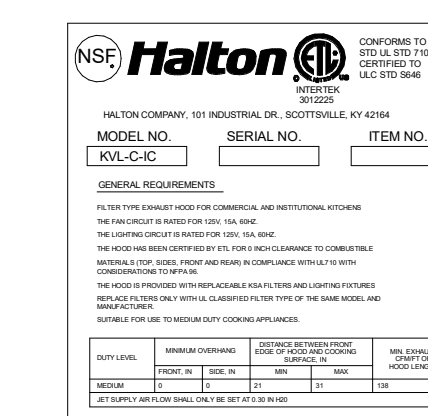
- CEILING CLOSURE RECESSED 11" FROM FRONT TO CREATE SHELF
- 36"x24" ACCESS DOOR RIGHT SIDE FOR ACCESS TO CAPTURE-JET WITH FRONT CJ INTAKE & KBD
- CONTINUOUS CAPTURE INTERNAL LEFT END CUTOUT
- 3" REAR STAND-OFF TO HAVE 1" THICK INSULATION
- EQUIPMENT COVERED:
(3) PRESSURE FRYERS



- CEILING CLOSURE RECESSED 10" FROM FRONT TO CREATE SHELF
- 18"x18" ACCESS DOOR CENTERED AT CAPTURE-JET WITH FRONT CJ INTAKE
- NOTCHED LEFT END PANEL
- DOUBLE RECEPTACLE PIN & SLEEVE
- 3"x3" TRIM STRIP FOR STANDOFF ON RIGHT END
- 3" SIDE & REAR STAND-OFF TO HAVE 1" THICK INSULATION
- EQUIPMENT COVERED:
(2) FRYERS



- CEILING CLOSURE RECESSED 10" FROM FRONT TO CREATE SHELF
- 18"x18" ACCESS DOOR CENTERED AT CAPTURE-JET WITH FRONT CJ INTAKE
- NOTCHED RIGHT END PANEL
- DOUBLE RECEPTACLE PIN & SLEEVE
- 3" REAR STAND-OFF TO HAVE 1" THICK INSULATION
- EQUIPMENT COVERED:
(2) FRYERS



MAIL APPROVED DRAWINGS TO APPROPRIATE FACTORY. BELOW WEBSITE: WWW.HALTONCOMPANY.COM

DATE	BY	REVISION DESCRIPTION

PROJECT: **CHICK-FL-A**

LOCATION: **Selden FSU**

DRAWN BY: **DATE: 09/24/2024**

SCALE: **NTS**

SN#: **05426**

Halton logo and text: **Halton CARE FOR INDOOR AIR**

DIVISION 15 SPECIFICATIONS

PART I - GENERAL

1.01 SCOPE

- A. IT IS THE RESPONSIBILITY OF CONTRACTOR TO READ ALL SPECIFICATIONS AND CONSULT ALL DRAWINGS WHICH MAY AFFECT THE INSTALLATION AND COORDINATION OF WORK WITH OTHER TRADES. CONTRACTOR SHALL COORDINATE AND MAKE MINOR ADJUSTMENTS IN LOCATION OF EQUIPMENT AND MATERIALS AS NECESSARY FOR COORDINATION.
- B. COMPLETED INSTALLATION SHALL CONFORM TO ALL APPLICABLE FEDERAL, STATE AND LOCAL CODES AND ORDINANCES.
- C. SYSTEM LAYOUT IS SCHEMATIC AND EXACT LOCATIONS SHALL BE DETERMINED BY STRUCTURAL CONDITIONS, COORDINATION WITH OTHER TRADES, COORDINATION WITH FINISHES AND OTHER CONDITIONS. STRUCTURAL SUPPORTS SHALL NOT BE CUT OR ALTERED TO ASSURE FIT OF HVAC SYSTEM. TEN FOOT CLEARANCE SHALL BE MAINTAINED BETWEEN OUTSIDE AIR INTAKES AND EXHAUST FANS AND PLUMBING VENT TERMINALS.
- D. CONTRACTOR SHALL BE RESPONSIBLE FOR ALL DEFECTS, REPAIRS AND REPLACEMENTS IN MATERIALS AND WORKMANSHIP FOR A PERIOD OF ONE (1) YEAR AFTER FINAL PAYMENT IS APPROVED. CONTRACTOR SHALL HONOR FACTORY WARRANTIES ON ALL EQUIPMENT PROVIDED AS PART OF THIS SYSTEM.
- E. UPON COMPLETION OF PROJECT, ALL SYSTEM EQUIPMENT AND MATERIALS SHALL BE IN NEW, CLEAN CONDITION WITH ALL DAMAGE RESTORED TO CONDITION ACCEPTABLE TO THE OWNERS REPRESENTATIVE. ALL EQUIPMENT, COMPONENTS, DUCTWORK AND AIR DEVICES SHALL BE INSPECTED AND THOROUGHLY CLEANED, CLEARED OF DEBRIS, AND READY FOR USE. AT COMPLETION OF JOB, ALL MISCELLANEOUS TOOLS, SCAFFOLDING, SURPLUS MATERIALS, RUBBISH AND DEBRIS SHALL BE REMOVED BY CONTRACTOR.
- F. CONTRACTOR SHALL PROVIDE TWO SETS OF 2" MERV 8 OR HIGHER THROW AWAY TYPE FILTERS. A CLEAN SET SHALL BE PROVIDED PRIOR TO TEST AND BALANCE AND AGAIN PRIOR TO OPENING.

PART II - PRODUCTS

2.01 HEATING AND COOLING EQUIPMENT

- A. FURNISH AND INSTALL R-410A ROOFTOP SINGLE PACKAGE COMBINATION HEATING COOLING AND NATURAL GAS FIRED HEATING UNITS AS SHOWN ON DRAWINGS. EQUIPMENT SHALL BE ARI CERTIFIED AND A.G.A. AND U.L. LISTED.
- B. ACCESSORIES SHALL INCLUDE LOW AND HIGH PRESSURE SAFETIES, CRANK CASE HEATER, OVERCURRENT AND OVERTEMPERATURE SAFETY COMPRESSOR VIBRATION ISOLATORS, FILTER DRIERS, REFRIGERANT SERVICE VALVES, COIL HAIL GUARDS WHERE SCHEDULED, CONVENIENCE OUTLETS FACTORY INSTALLED ON SCHEDULED UNITS, UNIT MOUNTED NON-FUSED DISCONNECTS, LOW AMBIENT OPERATION DOWN TO 30 DEGREES F AND EVAPORATOR FREEZE STAT.
- C. COMPRESSORS SHALL BE HERMETIC SCROLL TYPE WITH INTERNAL VIBRATION ISOLATORS. COMPRESSORS SHALL BE PROVIDED WITH A MINIMUM FIVE (5) YEAR FULL WARRANTY.
- D. THE UNIT HEAT EXCHANGERS SHALL BE ALUMINIZED STEEL COATING. HEATING CONTROLS SHALL CONSIST OF REDUNDANT GAS VALVES, INTERMITTENT PILOT WITH ELECTRONIC SPARK OR HOT PLATE IGNITION SYSTEM, COMBUSTION/EXHAUST FAN PROTECTED BY CENTRIFUGAL SWITCHES, HEAT LIMIT SWITCHES, TIME-DELAY RELAY, FLAME, AND PILOT SENSORS. HEAT EXCHANGERS SHALL HAVE A TEN (10) YEAR WARRANTY. BURNERS SHALL BE IN-SHOT TYPE. THE DRAFT MOTOR SHALL BE MONITORED BY THE CONTROL SYSTEM.

2.02 DUCTWORK (C15735)

- A. ACCEPTABLE MANUFACTURERS OF INSULATION SHALL BE: JOHNS MANVILLE, OWENS CORNING OR KNAUF.
- B. ALL DUCTWORK SHALL BE SHEET METAL, UNLESS NOTED OTHERWISE (U.N.O.).
- C. DUCT DIMENSIONS SHOWN ARE INSIDE CLEAR DIMENSIONS, U.N.O.
- D. CONSTRUCTION OF DUCTWORK SHALL MEET SMACNA 1" W.C. PRESSURE CLASS STANDARD AND RECOMMENDATIONS. SMACNA SHALL BE FOLLOWED WITH RESPECT TO GAGE THICKNESS, JOINTS, REINFORCING, CONSTRUCTION, INSTALLATION AND SUPPORT FOR PRESSURE CLASS STATED. ALL TRANSVERSE JOINTS IN RECTANGULAR AND ROUND DUCT INCLUDING DUCT CONNECTION TO AIR DEVICE COLLAR SHALL BE SEALED PER SMACNA SEAL CLASS C WITH U.L. DUCT MASTIC SEALANT APPROVED FOR INTENDED USE. DUCT TAPE IS NOT AN ACCEPTABLE SUBSTITUTE FOR MASTIC UNLESS EQUAL TO HARDCAST FOIL-GRIP 1402 BUTYL RUBBER ADHESIVE TAPE.
- E. DUCT SHALL BE SUPPORTED AT BASE OF DUCT DROPS. CURB DUCT RAILS ARE NOT INTENDED TO AND SHALL NOT SUPPORT THE WEIGHT OF THE DUCT.
- F. ALL DUCT WRAP SHALL BE MINIMUM 2" THICK, 3/4 PCF AND 6 R-VALUE INSTALLED WITH EITHER A VAPOR BARRIER WITH MAXIMUM PERMEANCE 0.05 OR A MINIMUM 2 MIL ALUMINUM REINFORCED FOIL/KRAFT FACING.
- G. ALL DUCT DROPS FROM THE ROOFTOP UNITS SHALL BE EXTERNALLY INSULATED.
- H. SUPPLY AND RETURN AIR DUCTWORK SERVING ALL AREAS SHALL BE EXTERNALLY INSULATED.
- I. ALL AIR CONVEYANCE COMPONENTS SUCH AS, BUT NOT LIMITED TO DUCT, DUCT PLENUMS, GRILLES/DIFFUSERS, BACK PANS, AND BOOTS SHALL BE INSULATED. INSULATION TYPE IS COVERED ELSEWHERE IN THIS SPECIFICATION.
- J. RESTROOM RECTANGULAR EXHAUST AIR DUCTWORK SHALL BE LINED WITH 1" THICK, 1-1/2 PCF INSULATION. RESTROOM ROUND EXHAUST DUCT SHALL BE EXTERNALLY INSULATED PER SECTION 2.02F.
- K. DUCT DROPS SHALL BE ISOLATED FROM UNIT VIBRATION WITH THE USE OF NFPA AND U.L. APPROVED FLEXIBLE CONNECTORS INSTALLED AT THE TOP OF BOTH SUPPLY AND RETURN DROPS.
- L. INSULATED FLEXIBLE DUCT MAY BE UTILIZED FOR RUNOUTS TO GRILLES AND DIFFUSERS ONLY IN THE HORIZONTAL POSITION AND IN MAXIMUM LENGTHS OF 4'-0", NO EXCEPTIONS.
- M. CONSTRUCTION OF FLEXIBLE DUCTWORK SHALL INCLUDE SPIRAL METAL HELIX BONDED TO A POLYESTER CORE, FIBERGLASS INSULATION WITH POLYETHYLENE OR MYLAR VAPOR BARRIER. ALL COMPONENTS SHALL HAVE APPROPRIATE U.L. APPROVAL AND SHALL BE EQUIVALENT TO THERMAFLEX MKE. FLEX DUCT SHALL HAVE A MINIMUM R-VALUE OF 6.
- N. FLEXIBLE DUCT SHALL BE INSTALLED PER THE "ADC FLEXIBLE DUCT PERFORMANCE AND INSTALLATION STANDARDS, 4TH ED" USING FOIL TAPE AND DRAWBAND ON THE INNER CORE AND TAPE OR DRAWBAND ON THE OUTER JACKET.
- O. DUCT TAPE SHALL BE EQUAL TO FASSON 181-B FX, 2-1/2" WIDE.
- P. SINGLE THICKNESS TURNING VANES SHALL BE INSTALLED AT ALL 90 DEGREE ELBOWS WHERE THE CENTERLINE RADIUS (R) IS LESS THAN THE WIDTH OF THE DUCT AND ANY ONE DIMENSION IS GREATER THAN 12".
- Q. EXTERNAL INSULATION ON BOTTOM OF DUCTS 24" OR WIDER SHALL BE SUPPORTED WITH STICK PINS ON 18" CENTERS. STICK PIN WASHERS SHALL BE COVERED WITH DUCT TAPE OR MASTIC.

2.03 CONTROLS

- A. SYSTEMS SHALL BE COMPLETE WITH CONNECTIONS TO CFA-500 TEMPERATURE CONTROL PANEL AS MANUFACTURED BY SUNCOAST ENVIRONMENTAL CONTROLS (S.E.C.) (PH: 877-544-6679). THE PANEL IS PROVIDED AND MOUNTED BY THE ELECTRICAL CONTRACTOR. CONTROL WIRING TERMINATIONS ARE BY THE MECHANICAL CONTRACTOR WHERE PERMITTED BY AHJ.
- B. THE SMOKE DETECTORS SHALL BE FACTORY INSTALLED AND WIRED BY THE ROOFTOP UNIT MANUFACTURER.
- C. A FACTORY INSTALLED SMOKE DETECTOR IN THE RETURN AIR SECTION OF EACH AIR CONDITIONING UNIT SHALL STOP THE INDOOR FAN AND CLOSE THE OUTSIDE AIR DAMPER IN THE EVENT OF EXCESSIVE TEMPERATURE OR SMOKE. SMOKE DETECTOR SHALL BE LOCATED PRIOR TO ANY EXHAUST FROM THE BUILDING OR MIXING WITH FRESH AIR MAKE-UP. UPON DETECTION, THE SYSTEM SHALL NOT RESTART UNTIL THE DEVICE IS MANUALLY RESET. DEVICES SHALL BE LOCATED WHERE THEY CAN BE EASILY ACCESSED AND WHERE CLEAR OF FILTERS.
- D. CHICK-FIL-A HAS A NATIONAL ACCOUNT WITH SUNCOAST ENVIRONMENTAL CONTROLS FOR THE SMOKE DETECTOR TEST/RESET ANNUNCIATOR STATIONS. THE TEST/RESET STATIONS WILL BE PURCHASED BY THE ELECTRICAL CONTRACTOR AS A PART OF A NATIONAL ACCOUNT PACKAGE AND TURNED OVER TO THE MECHANICAL CONTRACTOR FOR INSTALLATION.
- E. THE REMOTE TEST/RESET ANNUNCIATORS SHALL BE PROVIDED BY THE ELECTRICAL CONTRACTOR AND INSTALLED BY THE MECHANICAL CONTRACTOR. INSTALLATION BY MECHANICAL SHALL INCLUDE MOUNTING OF THE ANNUNCIATORS AND ALL WIRING FROM EACH DEVICE TO THE RTU. ELECTRICAL WILL PROVIDE A JUNCTION BOX IN THE WALL WITH 1/2" CONDUIT STUBBED UP ABOVE THE CEILING FOR EACH REMOTE TEST STATION AS SHOWN ON THE ELECTRICAL PLANS. ANNUNCIATOR SHALL BE SUNCOAST CONTROLS REMOTE TEST/RESET STATION WITH POWER LED, TROUBLE LED, ALARM LED, 90DB HORN AND TEST/RESET BUTTON.
- F. THE RESTROOM FAN SHALL BE INTERLOCKED TO THE LIGHTS SERVING THE MEN AND WOMEN'S RESTROOMS. THE HOOD FANS SHALL BE CONTROLLED VIA THE SUNCOAST CFA-500 CONTROL PANEL, WIRING, RELAYS AND SWITCHES FOR CONTROL OF ALL FANS ARE BY ELECTRICAL CONTRACTOR.
- G. THERMOSTATS ARE PROVIDED AND INTEGRATED INTO THE TEMPERATURE CONTROL PANEL BY SUNCOAST ENVIRONMENT CONTROLS. SUNCOAST WILL PROVIDE A NETWORK THERMOSTAT US32-CFA THERMOSTAT PRE-WIRED IN THE TEMPERATURE CONTROL PANEL. REMOTE TEMPERATURE SENSOR(S) FOR EACH THERMOSTAT IS ALSO PROVIDED. MECHANICAL CONTRACTOR SHALL INSTALL ALL WIRING BETWEEN THE THERMOSTAT, THE REMOTE SENSOR(S) AND THE ROOFTOP UNIT.
- H. MECHANICAL CONTRACTOR SHALL INSTALL CONTROL WIRING IN 1/2" CONDUIT WHERE REQUIRED BY CODE. WHERE NOT REQUIRED TO BE IN CONDUIT, ALL WIRING SHALL BE RUN PARALLEL TO STRUCTURAL MEMBERS OR PERPENDICULAR WITH NO DIAGONAL ROUTING. ALL WIRING SHALL BE SECURED TO THE FRAMING TO PREVENT SAGGING IN RUNS. WIRING TO ROOFTOP UNITS SHALL BE ROUTED THROUGH THE FACTORY THRU-BASE FITTING IN THE UNIT BASE. NO SPLICING OF WIRING WILL BE ACCEPTED. ALL WIRING ABOVE THE ROOF SHALL BE INSTALLED IN EXTERIOR GRADE FLEXIBLE CONDUIT. ALL CONTROL WIRING AND CONTROL WIRING CONDUIT SHALL BE FURNISHED AND INSTALLED BY THE MECHANICAL CONTRACTOR. WIRING SHALL BE INSTALLED IN ACCORDANCE WITH LATEST EDITION OF NEC. ALL LOW VOLTAGE CONTROL WIRING SHALL BE NO LESS THAN 18 AWG MIN. CONTROL WIRING CONDUCTORS SHALL BE SIZED TO ACCOUNT FOR LOAD AND LENGTH OF RUN TO ALLOW SUFFICIENT VOLTAGE AVAILABLE AT CONTROLLED DEVICE TO OPERATE THE SYSTEM RELIABLY.

2.04 PIPING

- A. ALL ABOVE GRADE NATURAL GAS PIPING SHALL BE SCHEDULE 40 STEEL MEETING ASTM A53 WITH SCREWED OR WELDED FITTINGS AND GASKET TYPE UNIONS AND FLANGES. FOR SCREWED PIPING, PIPING SHALL BE JOINED WITH BLACK 150 POUND MALLEABLE IRON SCREWED FITTINGS AS ALLOWED BY LOCAL AUTHORITY. CONTRACTOR SHALL VERIFY THE NEED FOR WELDED PIPING AS REQUIRED BY THE LOCAL GAS CODE AND/OR APPLICABLE LOCAL ORDINANCES AND AMENDMENTS.
- B. ALL BELOW GRADE NATURAL GAS PIPING SHALL BE MEDIUM DENSITY POLYETHYLENE (PE) MEETING ASTM D2513 AS MANUFACTURED BY GASTITE WITH JOINING SYSTEM AS MANUFACTURED BY CON-STAB. TRANSITIONS FROM ABOVE GRADE RIGID PIPING TO PE BELOW GRADE PIPING SHALL BE MADE WITH ANODE-LESS RISER ASSEMBLY AS MANUFACTURED BY CON-STAB.

- C. PROVIDE AND INSTALL A CUT-OFF VALVE, UNION AND FULL SIZE DIRT LEG AT CONNECTION TO EACH GAS-FIRED PIECE OF EQUIPMENT. INSTALL PIPING AT AND AROUND EQUIPMENT SO AS TO NO WAY OBSTRUCT EQUIPMENT ACCESS PANELS AND/OR ACCESS DOORS.
- D. ALL GAS PIPING ABOVE ROOF SHALL BE CLEANED FREE OF RUST AND PAINTED WITH COAT OF ZINC RUST PRIMER AND ONE COAT OF ALUMINUM BASE PAINT. METER AND GAS RISER SHALL BE PRIMED AND PAINTED TO MATCH BUILDING.

- E. NATURAL GAS PIPING SHALL BE LEAK TESTED IN ACCORDANCE WITH APPLICABLE CODE REQUIREMENTS AND MANUFACTURERS RECOMMENDATIONS.

PART III - EXECUTION

3.01 SCOPE

- A. FURNISH AND INSTALL SYSTEM IN ACCORDANCE WITH REFERENCED STANDARDS, APPLICABLE CODES, MANUFACTURER'S RECOMMENDATIONS AND AS INDICATED ON DRAWINGS.
- B. CONTRACTOR SHALL INSTRUCT THE OWNER'S REPRESENTATIVE IN ALL MATTERS PERTAINING TO THE PROPER MAINTENANCE OF EQUIPMENT FURNISHED UNDER THIS CONTRACT THROUGH DEMONSTRATION AND EXPLANATION OF OPERATING & MAINTENANCE MANUALS.
- C. CONTRACTOR SHALL PROVIDE A "SAMPLE MAINTENANCE PROPOSAL" TO THE OWNER'S REPRESENTATIVE IN ALL MATTERS PERTAINING TO THE PROPER MAINTENANCE OF EQUIPMENT FURNISHED UNDER THIS CONTRACT.
- D. CONTRACTOR SHALL COMPLETE A/C EQUIPMENT STARTUP DOCUMENTATION PROVIDED BY OWNER AND/OR MANUFACTURER. THIS SHALL INCLUDE RE-TORQUE OF ALL FIELD AND FACTORY HIGH VOLTAGE CONNECTIONS.

3.02 LEED PROJECTS

- A. CONTRACTOR SHALL COMPLETE RECEIPT INSPECTION CHECKLISTS PROVIDED IN THE COMMISSIONING PLAN WITHIN 5 DAYS OF RECEIVING EQUIPMENT ON SITE.
- B. CONTRACTOR SHALL COMPLETE PRE-FUNCTIONAL CHECKLISTS PROVIDED IN THE COMMISSIONING PLAN. CHECKLISTS SHALL BE RETURNED AT LEAST 5 DAYS PRIOR TO SCHEDULING FUNCTIONAL PERFORMANCE TESTING.
- C. CONTRACTOR SHALL PROVIDE A TECHNICIAN TO ASSIST THE THIRD PARTY COMMISSIONING AUTHORITY WITH FUNCTIONAL TESTING. FUNCTIONAL TESTING SHALL OCCUR AFTER ALL CONTROLS HAVE BEEN INSTALLED AND VERIFIED AND AFTER TEST AND BALANCE IS COMPLETE. THE FUNCTIONAL PERFORMANCE TEST PROCEDURES CAN BE FOUND IN THE COMMISSIONING PLAN.
- D. IF THE TOTAL TIME REQUIRED TO CORRECT PROBLEMS DURING TESTING IS GREATER THAN FORTY-FIVE (45) MINUTES (UNLESS EXTENUATING CIRCUMSTANCES EXIST), THE TEST SHALL BE CONSIDERED FAILED AND MUST BE REPEATED IN ITS ENTIRETY.
- E. RE-TESTING: DURING THE COURSE OF THE RETEST, IF AT ANY POINT A MAJOR DEFICIENCY IS DISCOVERED, THE TEST WILL BE STOPPED. REPEAT TESTS UNTIL ACCEPTABLE RESULTS ARE ACHIEVED. IF MORE THAN TWO FUNCTIONAL PERFORMANCE TESTS (ONE INITIAL TEST AND ONE RETEST) FOR ANY TYPE OF EQUIPMENT DUE TO ISSUES THAT THE CONTRACTOR HAD DIRECT OR INDIRECT CONTROL OVER ARE REQUIRED, THE COSTS FOR THE CXA TO WITNESS RETESTING OF SIMILAR TYPES OF EQUIPMENT UNTIL SATISFACTORY RESULTS ARE OBTAINED SHALL BE THE RESPONSIBILITY OF THE CONTRACTOR.

3.03 TEST & BALANCE

- A. OWNER SHALL TEST AND BALANCE MECHANICAL SYSTEM IN ACCORDANCE WITH NEBB, NBC OR AAC STANDARDS TO ASSURE CONFORMANCE WITH DESIGN. G.C. WILL MAKE MECHANICAL CONTRACTOR AVAILABLE DURING TEST AND BALANCE TO ASSIST TESTING AGENCY AND TO MAKE CORRECTIONS IMMEDIATELY NECESSARY. CONTRACTOR SHALL CORRECT ITEMS ON WRITTEN TEST AND BALANCE REPORT.
- B. ALL EQUIPMENT TO BE BALANCED MUST HAVE GONE THRU SUCCESSFUL START-UP PROCEDURE BY THE MECHANICAL CONTRACTOR (MC) PRIOR TO TAB VISIT.
- C. THE FLOOR OF THE RESTAURANT SHALL BE CLEARED OF DEBRIS, STAGED CONSTRUCTION MATERIALS, EQUIPMENT, ETC. WHICH MAY, IN THE OPINION OF THE TAB TECHNICIAN, OBSTRUCT ACCESS TO AIR DISTRIBUTION COMPONENTS IN AND ABOVE THE CEILING.
- D. EQUIPMENT ACCESS PANELS, DUCT AIR DEVICES SUCH AS BALANCING DAMPERS AND ACTUATORS SHALL BE ACCESSIBLE AND CLEAR OF PIPING, CONDUIT, FRAMING, SUPPORTS ETC...
- E. PROVIDE AN 8 FT PORTABLE A-FRAME STYLE LADDER DEDICATED FOR THE TAB TECHNICIAN'S USE DURING THE ENTIRE TAB EFFORT DURATION.

KITCHEN HOOD SYSTEMS NOTES

1. CHICK-FIL-A MAINTAINS A NATIONAL ACCOUNT WITH HALTON CO. FOR THE HOODS. CHICK-FIL-A WILL PURCHASE AND PROVIDE THE HOODS FOR INSTALLATION BY THE MECHANICAL CONTRACTOR. THE MECHANICAL CONTRACTOR SHALL BE RESPONSIBLE FOR RECEIVING THE HOODS. CONTACT HALTON CO. AT 270-237-5600 FOR MORE INFO.
2. THE FIRE SUPPRESSION SYSTEM SHALL CONSIST OF A COMPLETE WET CHEMICAL SYSTEM FURNISHED BY HALTON. THE HOOD SHALL BE FURNISHED PRE-PIPED BY HALTON.
3. THE FIRE SUPPRESSION SYSTEM EXTERNAL TO THE HOODS SHALL BE INSTALLED IN ACCORDANCE WITH HOOD MANUFACTURER'S SHOP DRAWINGS BY AN AUTHORIZED INSTALLER SELECTED AND HIRED BY HALTON. COST FOR INSTALLATION INCLUDED IN PRICE OF HOODS TO CFA.
4. HOOD EXHAUST DUCTWORK SHALL BE 16 GA. BLACK STEEL WITH CONTINUOUS LIQUID TIGHT WELD OF JOINTS & SEAMS.
5. TURNS IN GREASE EXHAUST DUCTWORK SHALL BE LONG RADIUS TYPE, WITH A CENTERLINE RADIUS R=3W/2, UNLESS OTHERWISE NOTED. NO MITERED FITTINGS ALLOWED.
6. ALL STAINLESS STEEL CLOSURE PANELS SHALL BE SUPPLIED BY HOOD MANUFACTURER AND INSTALLED BY THE MECHANICAL CONTRACTOR ACCORDING TO MANUFACTURER'S RECOMMENDATIONS.
7. SLOPE ALL GREASE EXHAUST DUCT BACK TO HOOD AT 1/4" PER FOOT OF RUN.
8. WRAP NEW GREASE DUCT WITH UNIFRAX FYREWRAP. INSULATION ON ACCESS DOORS SHALL BE INSTALLED ACCORDING TO MANUFACTURER'S INSTALLATION RECOMMENDATIONS. UNIFRAX FYREWRAP PRODUCT USED SHALL MEET LOCAL CODE REQUIREMENTS.
9. SUPPORT ALL HOODS WITH THREADED ROD AT EACH FACTORY SUPPORT POINT. EACH SUPPORT POINT MUST SUPPORT THE HOOD WEIGHT EQUALLY. ATTACH TO STRUCTURE AS DETAILED ON STRUCTURAL DRAWINGS. ATTACH HOOD TO WALL AT 16" INTERVALS ALONG FULL LENGTH OF HOOD ON TOP AND BOTTOM. ATTACHMENT TO WALL REQUIRES FIELD DRILLING OF SUPPORT ANGLE AT BACK OF HOODS. EACH WALL ATTACHMENT POINT MUST OCCUR AT A WALL STUD. ATTACHMENT HARDWARE TO BE #12-24 HEX HEAD SHEET METAL SCREW EQUAL TO TEXTRON SDS EDT265, LENGTH AS REQUIRED TO FULLY PENETRATE THE STUD.
10. MECHANICAL CONTRACTOR TO PROVIDE AND INSTALL SUNCOAST H.E.S. SYSTEM FOR ALL HOODS. SEE HOOD FAN/EQUIPMENT INTERLOCK WIRING DIAGRAM ON M-702 FOR MORE INFORMATION.

LEGEND

REF#	DESCRIPTION	SYMBOL	DESCRIPTION
A-12-400	TYPE - NECK SIZE - CFM	[EF#1]	EXHAUST FAN #1 (TYP.)
[]	SPIN-IN FITTING WITH MANUAL BALANCING DAMPER, WITHOUT SCOOP	[AC#1]	AIR CONDITIONING UNIT #1 (TYP.)
[]	SPIN-IN HARD ϕ FLEXIBLE ϕ DIFFUSER	[]	RETURN/EXHAUST (TYP.)
(S)	REMOTE TEMPERATURE SENSOR	[]	SUPPLY DIFFUSER, SQ FACE (TYP.)
(H)	HUMIDITY SENSOR	(1)	PLAN NOTE REFERENCE
[]	SMOKE DETECTOR	[]	MANUAL VOLUME DAMPER
12x18	DUCT SIZE (reverse for elevation views) 1ST NUMBER - HORIZONTAL DIMENSION 2ND NUMBER - VERTICAL DIMENSION	[]	DIRECTION OF THROW ON DIFFUSER
[SW]	AIR DOOR SWITCH	[GIH]	CLOSED AIR PATTERN DEFLECTOR
EIH	ELECTRIC INFRARED HEATER	[B/G]	GAS INFRARED HEATER (TYP.)
		(T)	BELOW GRADE
			THERMOSTAT

ABBREVIATIONS

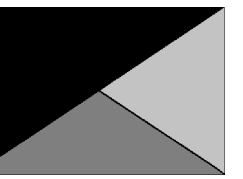
EC	ELECTRICAL CONTRACTOR
GC	GENERAL CONTRACTOR
MC	MECHANICAL CONTRACTOR
PC	PLUMBING CONTRACTOR
O.C.	ON CENTER
IRH	INFRARED HEATER
CF	CIRCULATING FAN
TF	TRANSFER FAN
EF	EXHAUST FAN

GENERAL NOTES

1. DUCT SIZES SERVING DIFFUSERS AND GRILLES ARE SAME SIZE AS DIFFUSER OR GRILLE NECK UNLESS NOTED OTHERWISE.
2. FLEXIBLE DUCT AND INSULATION NOT SHOWN FOR CLARITY.
3. FOR ALL ROOF EQUIPMENT, PROVIDE A PLASTIC ENGRAVED LABEL WITH 1" HIGH WHITE LETTERS ON A BLACK BACKGROUND. WITH A SELF ADHESIVE BACKING.
4. UNLESS NOTED OTHERWISE, MC TO ADJUST ALL DIFFUSER AIR PATTERN DEFLECTORS TO THROW HORIZONTALLY ALONG THE CEILING.
5. ALL EXHAUST DUCTWORK AND UNFINISHED METAL ON ROOF EXCEPT STAINLESS SHALL BE PREPARED WITH TWO COATS OF SHERWIN WILLIAMS PRO INDUSTRIAL DTM ACRYLIC COATING, SEMI-GLOSS, WHITE. DEGREASE AND PRIME BARE METAL SURFACE WITH ONE COAT OF SHERWIN WILLIAMS PRO INDUSTRIAL PRO-CRYLACRYLIC UNIVERSAL PRIMER, WHITE, PRIOR TO PAINTING.
6. MAINTAIN 18" CLEARANCE FROM GREASE EXHAUST DUCTWORK ABOVE ROOF TO ANY COMBUSTIBLE CONSTRUCTION INCLUDING PARAPET WALLS.



Chick-Fil-A
5200 Buffington Road
Atlanta, Georgia
30349-2998



Kurzynske & Associates
2705 Lebanon Pike - Suite One
Nashville, Tennessee 37214
Telephone: (615) 255-5203



09/24/24

CHICK-FIL-A
Selden FSU

949 Middle Country Road
Selden, NY 11784

FSR#05426

BUILDING TYPE / SIZE: P14 SE BN
RELEASE: 23.09
PRINTED FOR:
ISSUED FOR CONSTRUCTION

REVISION SCHEDULE
NO. DATE DESCRIPTION

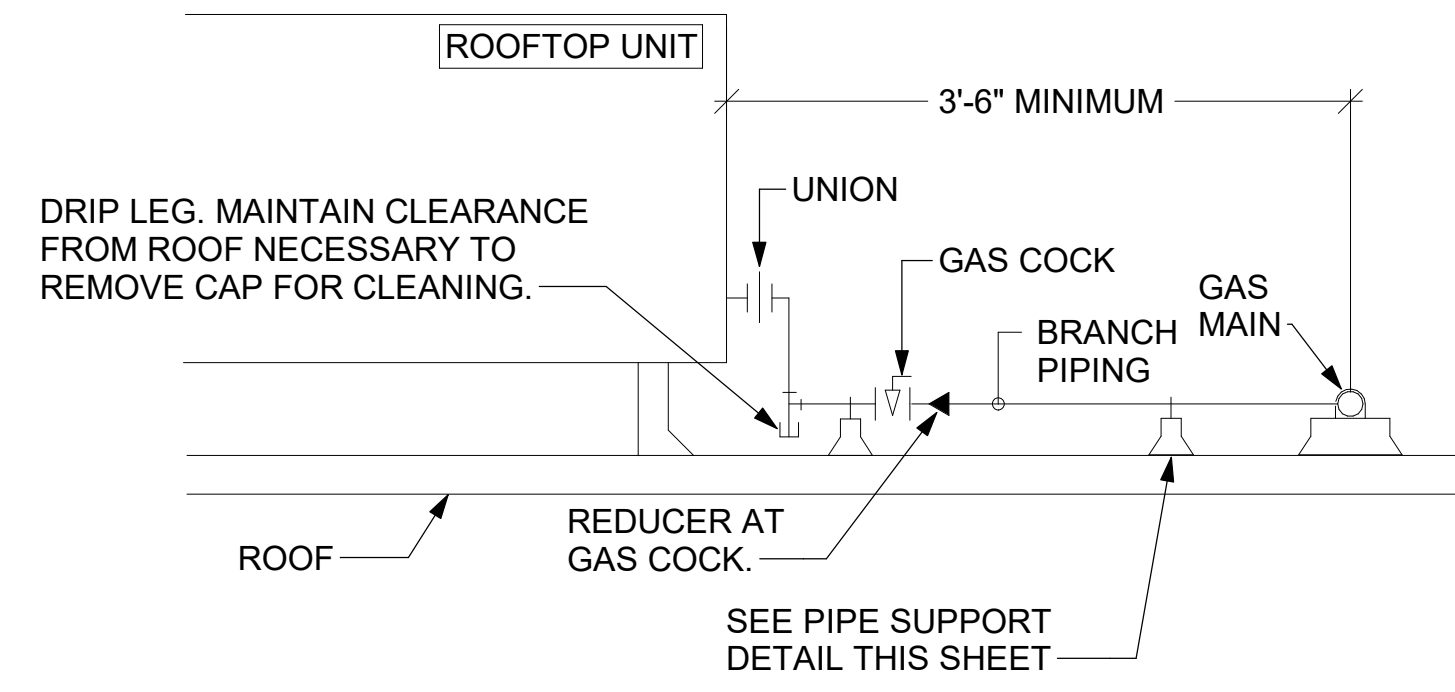
CONSULTANT PROJECT # 24015.CD.S
DATE 09/24/2024
DRAWN BY BLM

Information contained on this drawing and in all digital files produced for above named project may not be reproduced in any manner without express written or verbal consent from authorized project representatives.

GENERAL NOTES,
LEGENDS, SYMBOLS, AND
ABBREVIATIONS
SHEET NUMBER

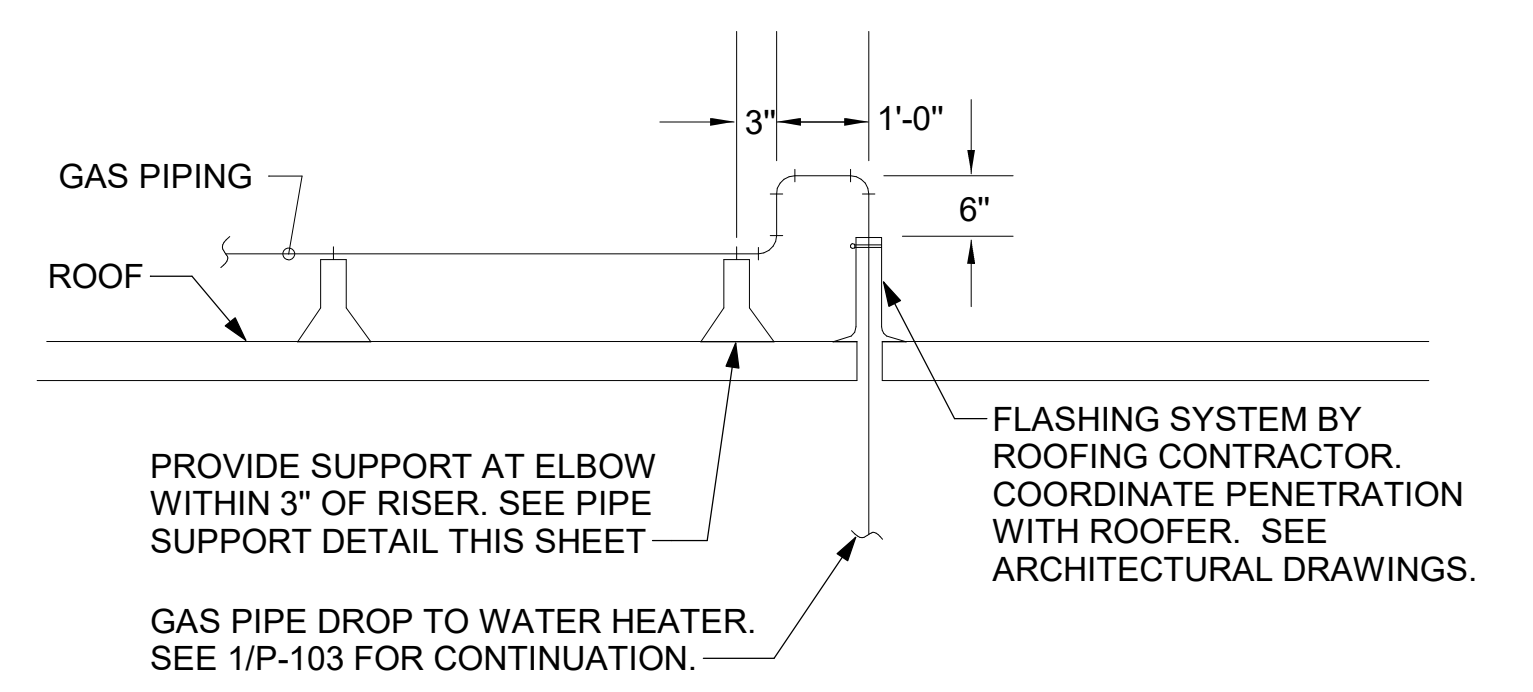
M-001

- NOTES:**
1. INSTALL GAS PIPING SUCH THAT HVAC EQUIPMENT ACCESS PANELS AND/OR DOORS ARE IN NO WAY OBSTRUCTED BY PIPING, VALVES, OR SUPPORTS.
 2. TO AVOID CONFLICT WITH AC UNIT ACCESS DOORS, INSTALL GAS PIPING NO CLOSER THAN 3'-6" FROM AC UNIT. (EXCEPT FOR BRANCH LINE CONNECTED TO AC UNIT.)
 3. ROUTE BRANCH TAKE-OFF DIRECTLY FROM MAIN TO ROOFTOP UNIT AS SHOWN ON PLAN AND DETAILS WITHOUT LATERAL OFFSETS WHICH MAY OBSTRUCT UNIT ACCESS DOORS.

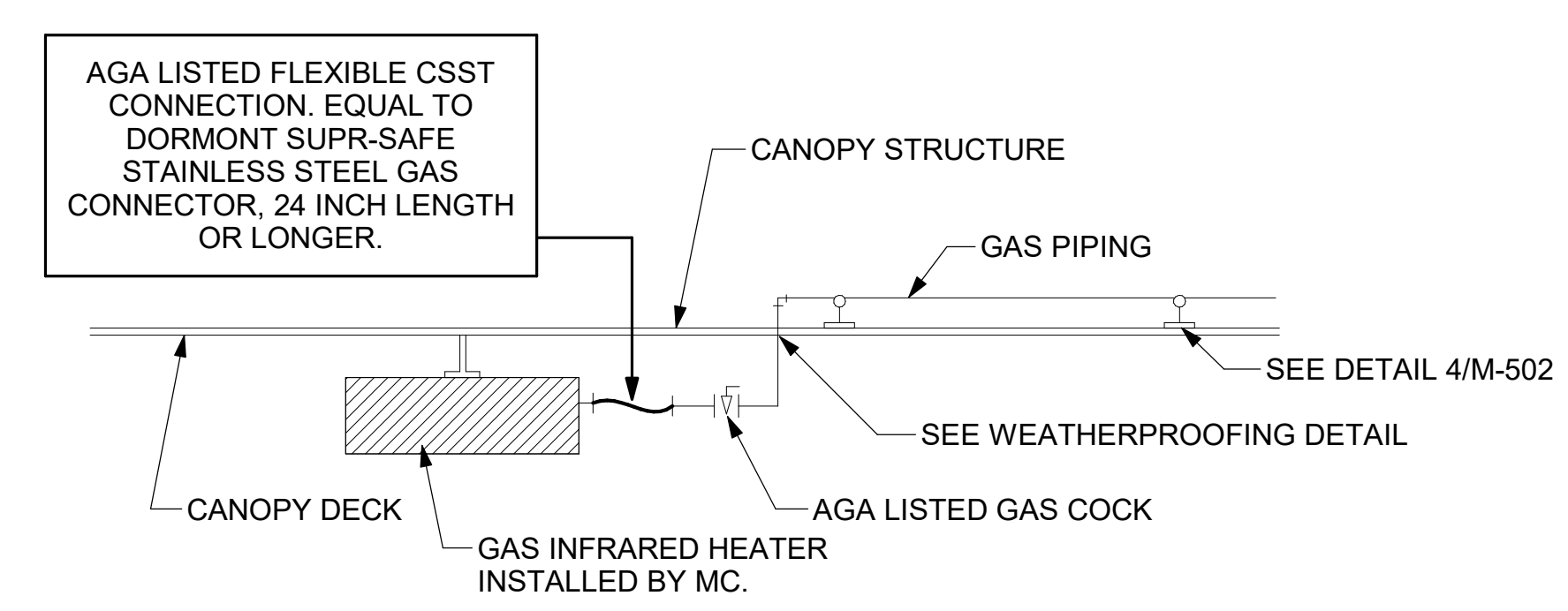


3 GAS PIPING AT RTU
NOT TO SCALE

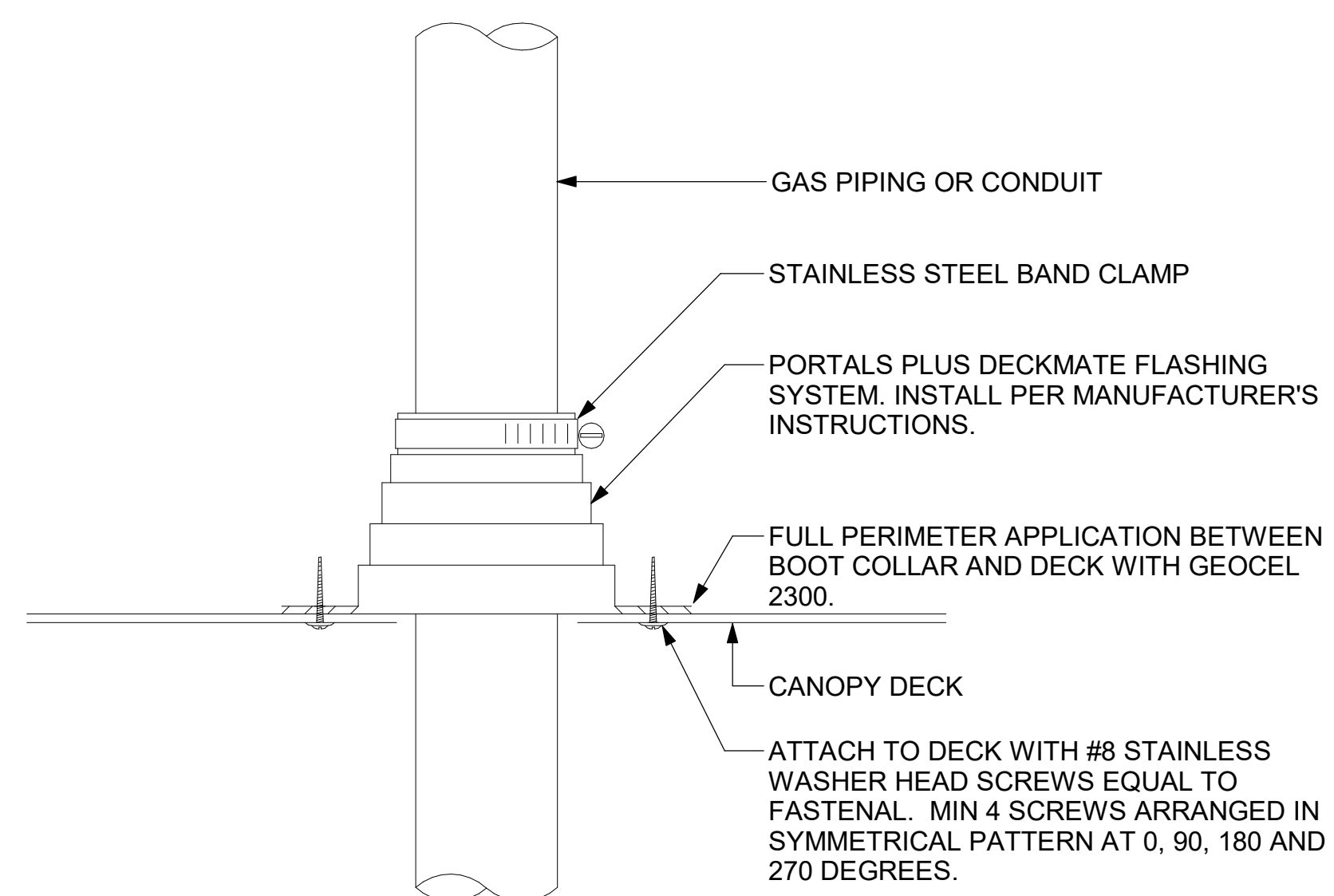
OFFSET PIPING A MINIMUM OF 6" ABOVE TOP EDGE OF FLASHING.



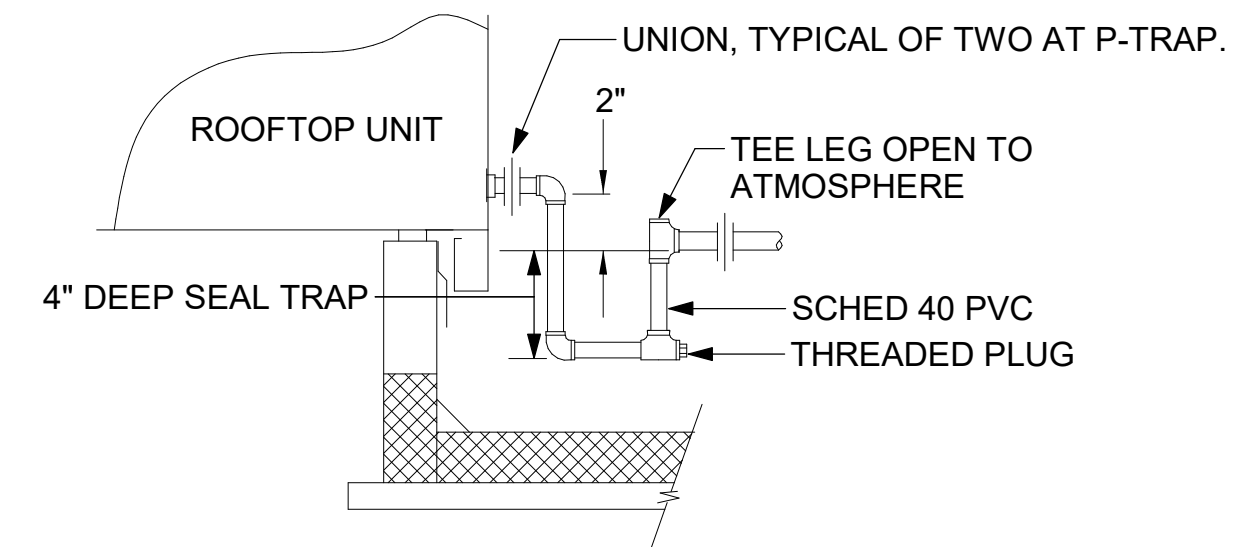
2 GAS PIPE DROP TO WATER HEATER
NOT TO SCALE



1 GAS CONNECTION AT APPLIANCE
NOT TO SCALE

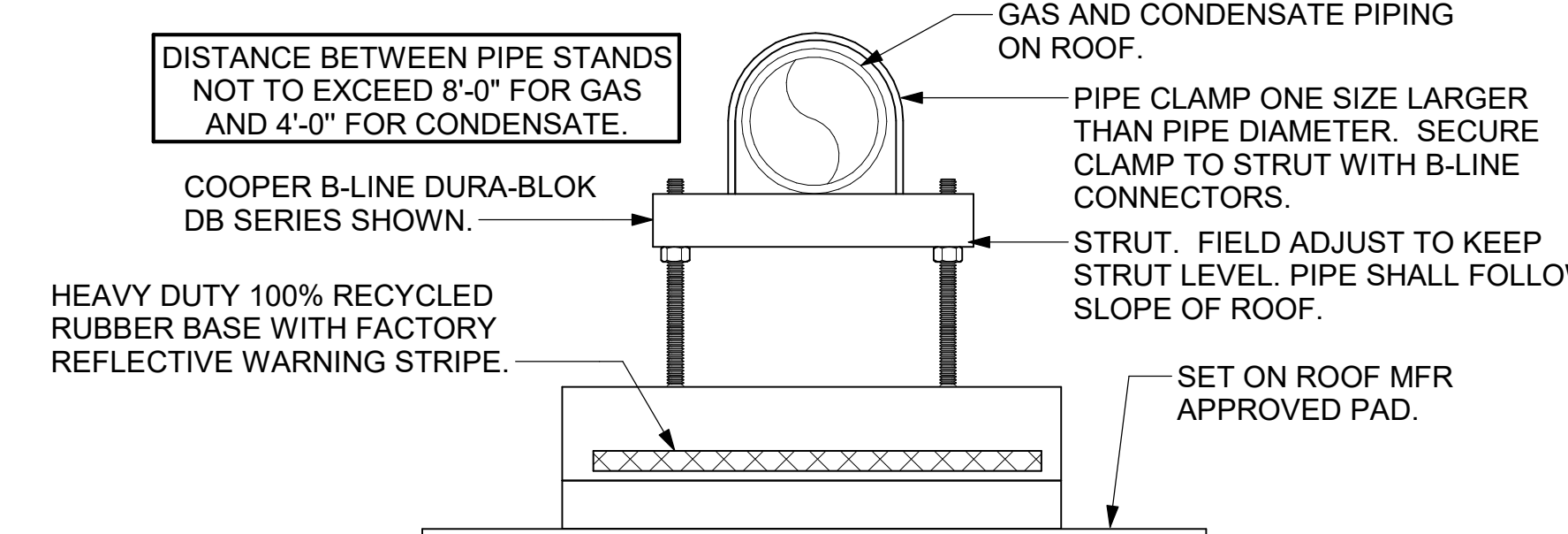


6 WEATHERPROOFING AT CANOPY PENETRATION
NOT TO SCALE



5 CONDENSATE DRAIN PIPING
NOT TO SCALE

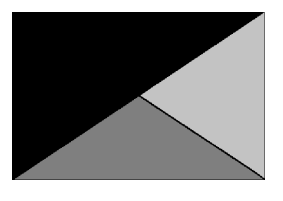
- NOTES:**
1. NON ADJUSTABLE MODEL DB610 PIPE STAND TO BE USED FOR NON-ELEVATED PIPING INSTALLED FLAT ON ROOF DECK.
 2. PROVIDE MODEL DBE 10-8 OR DBE 10-12 OR DBE 10-16 AS NEEDED FOR ELEVATING CONDENSATE PIPING TO MAINTAIN PROPER SLOPE AND FOR GAS PIPING CROSSING OVER CONDENSATE PIPING.
 3. ENSURE GAS AND CONDENSATE PIPING DO NOT OBSTRUCT ROOFTOP EQUIPMENT ACCESS OPENINGS. RE-PIPING OF SYSTEMS DUE TO CONFLICTS WITH EQUIPMENT ACCESS OPENINGS SHALL BE DONE AT PLUMBING CONTRACTOR'S EXPENSE.



4 PIPING SUPPORT ON ROOF
NOT TO SCALE



Chick-fil-A
5200 Buffington Road
Atlanta, Georgia
30349-2998



Kurzynske & Associates
2705 Lebanon Pike - Suite One
Nashville, Tennessee 37214
Telephone: (615) 255-5203



09/24/24

CHICK-FIL-A
Selden FSU
949 Middle Country Road
Selden, NY 11784

FSR#05426

BUILDING TYPE / SIZE: P14 SE BN
RELEASE: 23.09
PRINTED FOR:
ISSUED FOR CONSTRUCTION

NO.	DATE	DESCRIPTION

ISSUED FOR CONSTRUCTION

CONSULTANT PROJECT #	24015.CD.S
DATE	09/24/2024
DRAWN BY	BLM

Information contained on this drawing and in all digital files produced for above named project may not be reproduced in any manner without express written or verbal consent from authorized project representatives.

SHEET
DETAILS

SHEET NUMBER
M-502



Chick-fil-A
 Chick-fil-A
 5200 Buffington Road
 Atlanta, Georgia
 30349-2998



Kurzynske & Associates
 2705 Lebanon Pike - Suite One
 Nashville, Tennessee 37214
 Telephone: (615) 255-5203



09/24/24

CHICK-FIL-A
 Selden FSU
 949 Middle Country Road
 Selden, NY 11784

FSR#05426

BUILDING TYPE / SIZE: P14 SE BN
 RELEASE: 23.09
 PRINTED FOR: ISSUED FOR CONSTRUCTION

REVISION SCHEDULE		
NO.	DATE	DESCRIPTION
4	09/24/2024	ISSUE FOR CONSTRUCTION

CONSULTANT PROJECT # 24015.CD.S
 DATE 09/24/2024
 DRAWN BY BLM

ISSUED FOR CONSTRUCTION

Information contained on this drawing and in all digital files produced for above named project may not be reproduced in any manner without express written or verbal consent from authorized project representatives.

CONTROL WIRING DIAGRAMS - TRANE

SHEET NUMBER
M-701

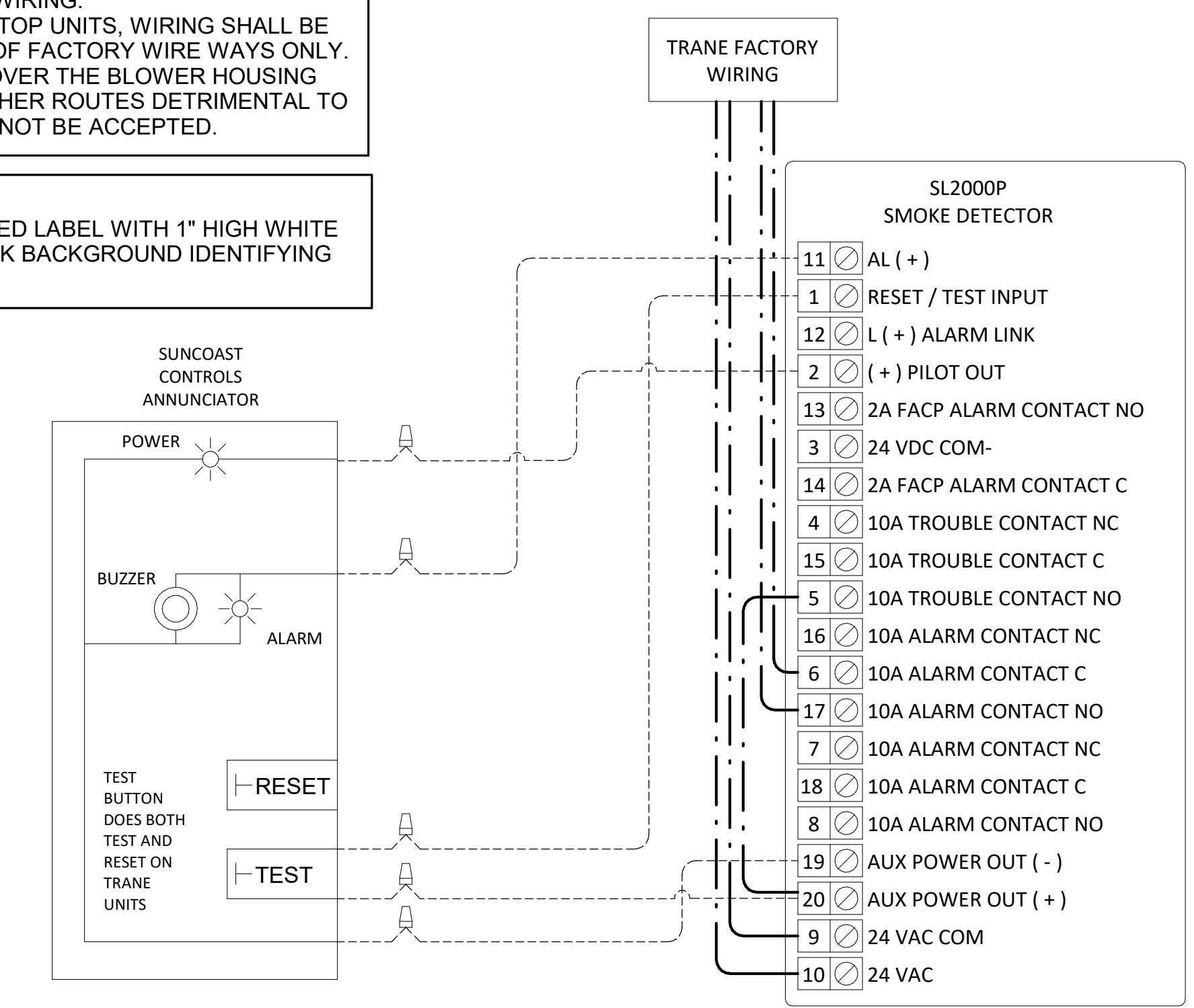
SUPPLY SIDE DETECTORS:
 IF SUPPLY SIDE SMOKE DETECTORS ARE SHOWN ON DWG M-101, AND CALLED FOR ON RTU SCHEDULE, THE CONTRACTOR IS TO RELOCATE FACTORY INSTALLED SUPPLY SMOKE DETECTOR FROM BLOWER SECTION TO DUCTWORK. SEE NOTES ON DWG M-101.

FIELD INSTALLED WIRING:
 WITHIN THE ROOFTOP UNITS, WIRING SHALL BE ROUTED BY WAY OF FACTORY WIRE WAYS ONLY. WIRING ROUTED OVER THE BLOWER HOUSING OR BY WAY OF OTHER ROUTES DETRIMENTAL TO WIRING LIFE WILL NOT BE ACCEPTED.

LABELING:
 PROVIDE ENGRAVED LABEL WITH 1" HIGH WHITE LETTERS ON BLACK BACKGROUND IDENTIFYING UNIT SERVED.

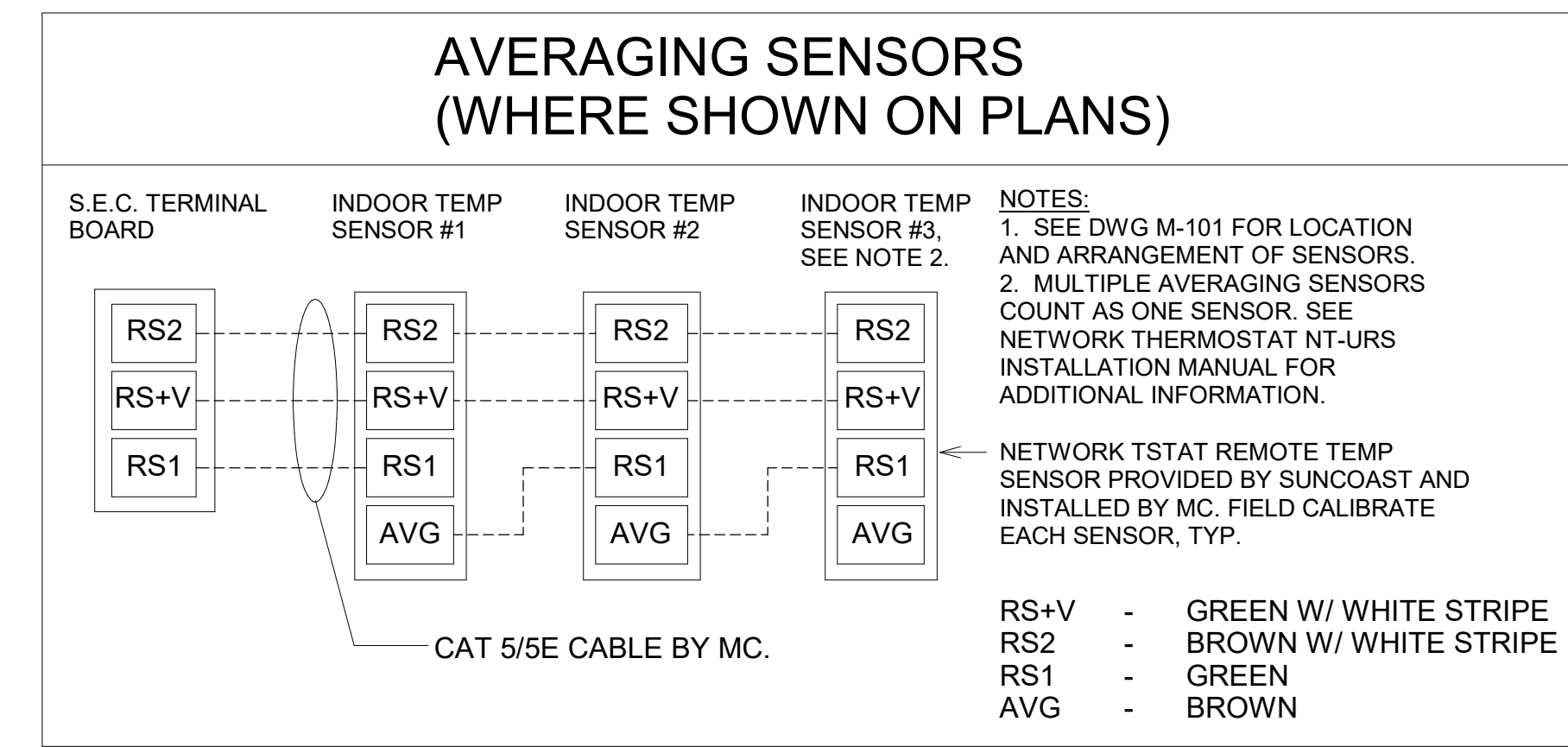
LEGEND

---	18 AWG MIN WIRING BY MECH CONTRACTOR
---	FACTORY ANNUNCIATOR DETECTOR WIRING
---	FACTORY TRANE WIRING



1 SMOKE DETECTOR AND ANNUNCIATOR WIRING DIAGRAM - TRANE
 NOT TO SCALE

PROVIDE A PROFESSIONALLY LAMINATED COPY OF THESE DETAILS TO BE INSTALLED INSIDE THE ROOFTOP UNIT CONTROL CABINET. USE A SETON CHART FRAME STYLE # 68624. TELEPHONE NUMBER 800-243-6624. FOR MOUNTING THE DETAIL, ATTACH THE FRAME TO THE INTERIOR OF THE UNIT IN PLAIN AND EASY VIEW OF THE CONTROLS SECTION. CONTACT ENGINEER OF RECORD FOR A REPRODUCIBLE COPY OF THE DETAIL.

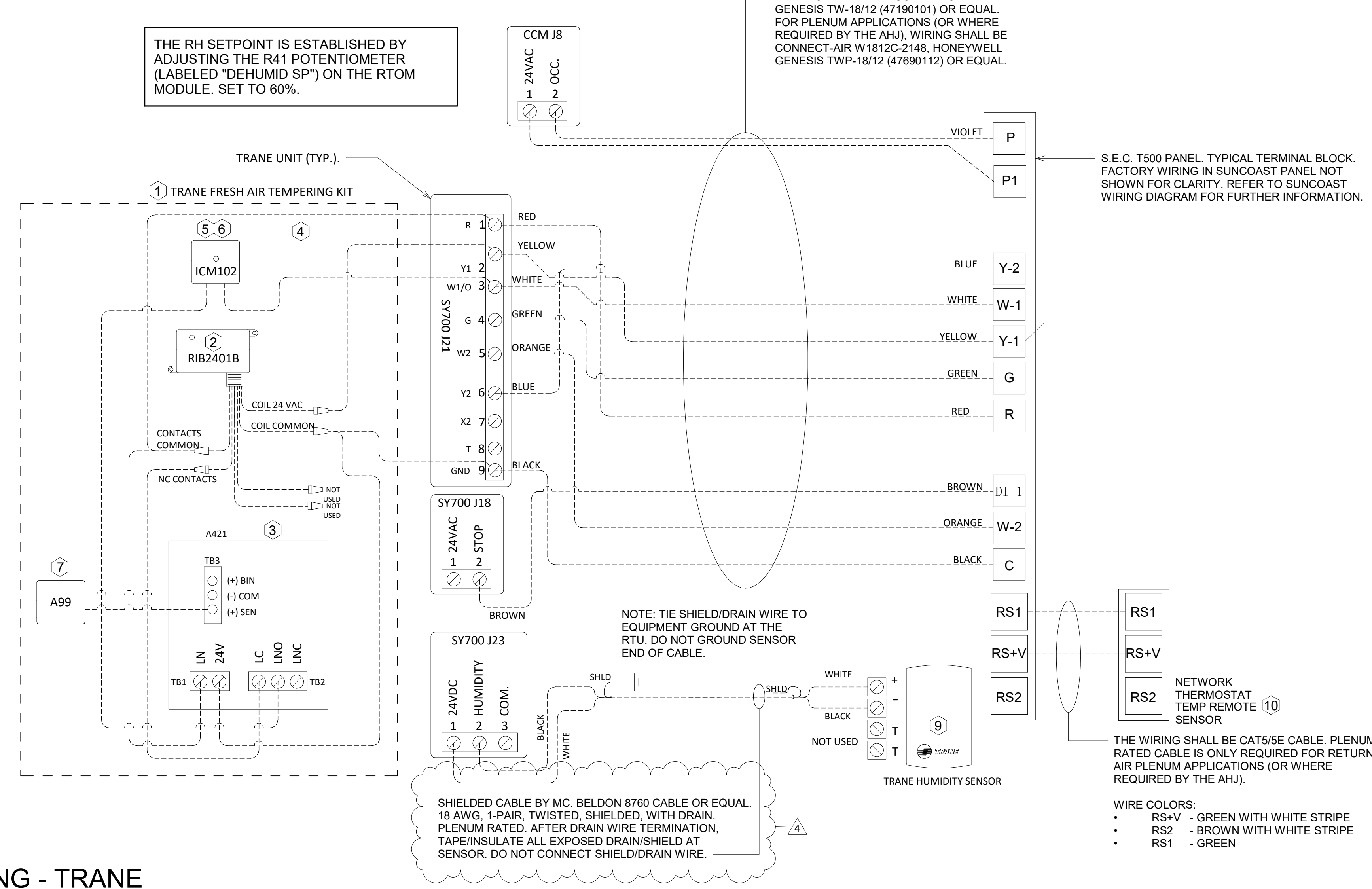
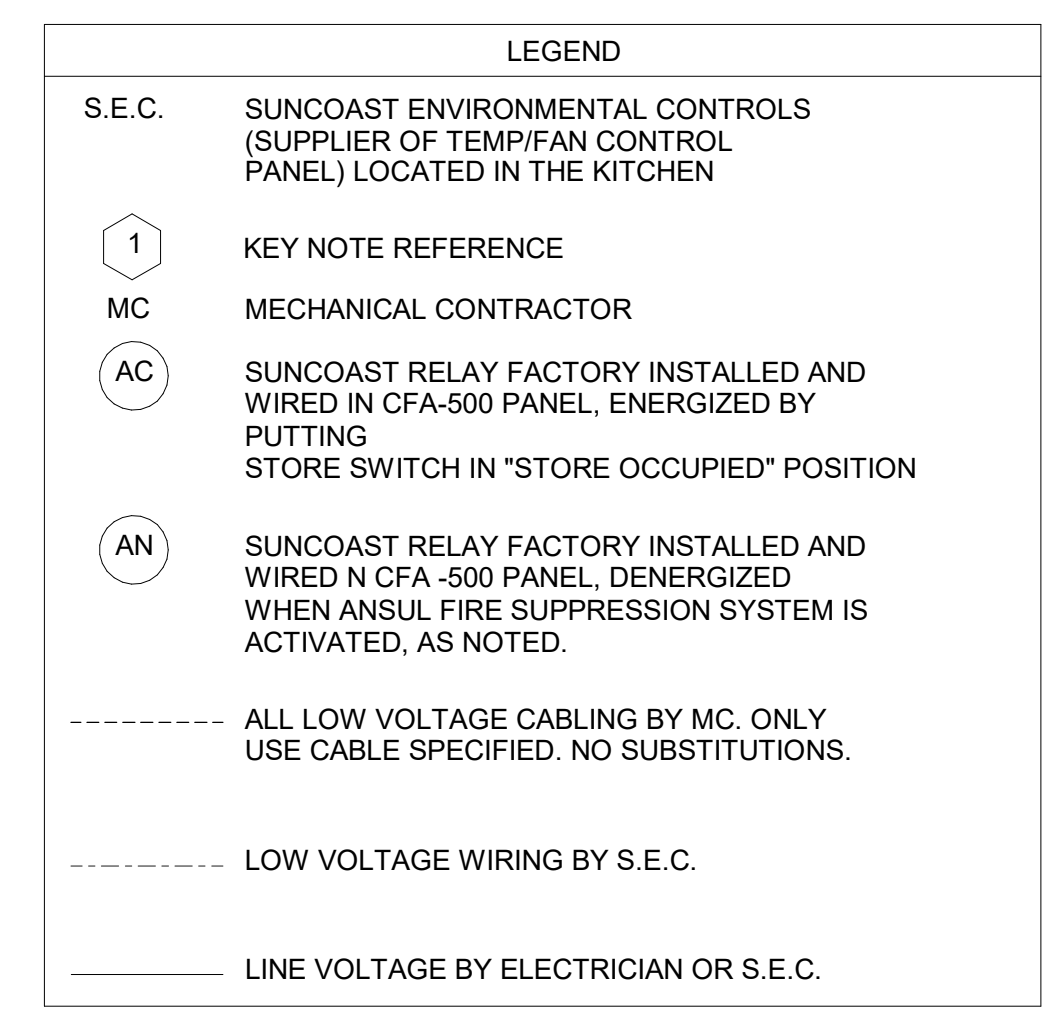


KEYED NOTES:

- LOW VOLTAGE WIRING TO RTU TO BE ROUTED TO UNIT THRU FACTORY WIREWAY.
- NOT USED.
- NETWORK TSTAT REMOTE TEMP SENSOR PROVIDED BY SUNCOAST AND INSTALLED BY MC. SENSOR IS INTENDED TO BE SURFACE MOUNTED AND DOES NOT REQUIRE A SINGLE GANG BOX OR CONDUIT. FIELD CALIBRATE EACH SENSOR. SEAL CABLE PENETRATION AT ALL WALL LOCATIONS.

NOTES:

- MECHANICAL CONTRACTOR SHALL MAKE PLASTIC LAMINATE OF THIS DETAIL AND INSTALL PERMANENTLY ON INSIDE DOOR OF ROOFTOP UNIT CONTROL COMPARTMENT.
- SEE DETAILS THIS SHEET FOR SMOKE DETECTOR AND ANNUNCIATOR WIRING.
- SET ALL THERMOSTATS FOR AUTO CHANGEOVER.
- PROVIDE PLAC ENGRAV LABEL AT ALL NEW SENSORS WITH 1/4" HIGH WHITE LETTERING ON BLACK BACKGROUND, I.E. "A992 HUMIDITY SENSOR" OR "A992 TEMP SENSOR". PLACE LABELS ON WALL ADJACENT TO DEVICE. DO NOT APPLY DIRECTLY TO DEVICE.

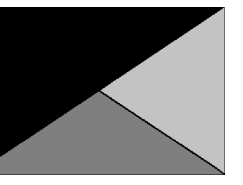


2 ROOFTOP UNIT CONTROL WIRING - TRANE
 NOT TO SCALE



Chick-fil-A

Chick-fil-A
5200 Buffington Road
Atlanta, Georgia
30349-2998



Kurzynske
& Associates
2705 Lebanon Pike - Suite One
Nashville, Tennessee 37214
Telephone: (615) 255-5203



09/24/24

CHICK-FIL-A
Selden FSU

949 Middle Country Road
Selden, NY 11784

FSR#05426

BUILDING TYPE / SIZE: P14 SE BN
RELEASE: 23.09
PRINTED FOR:
ISSUED FOR CONSTRUCTION

REVISION SCHEDULE
NO. DATE DESCRIPTION

CONSULTANT PROJECT # 24015.CD.S
DATE 09/24/2024
DRAWN BY BLM

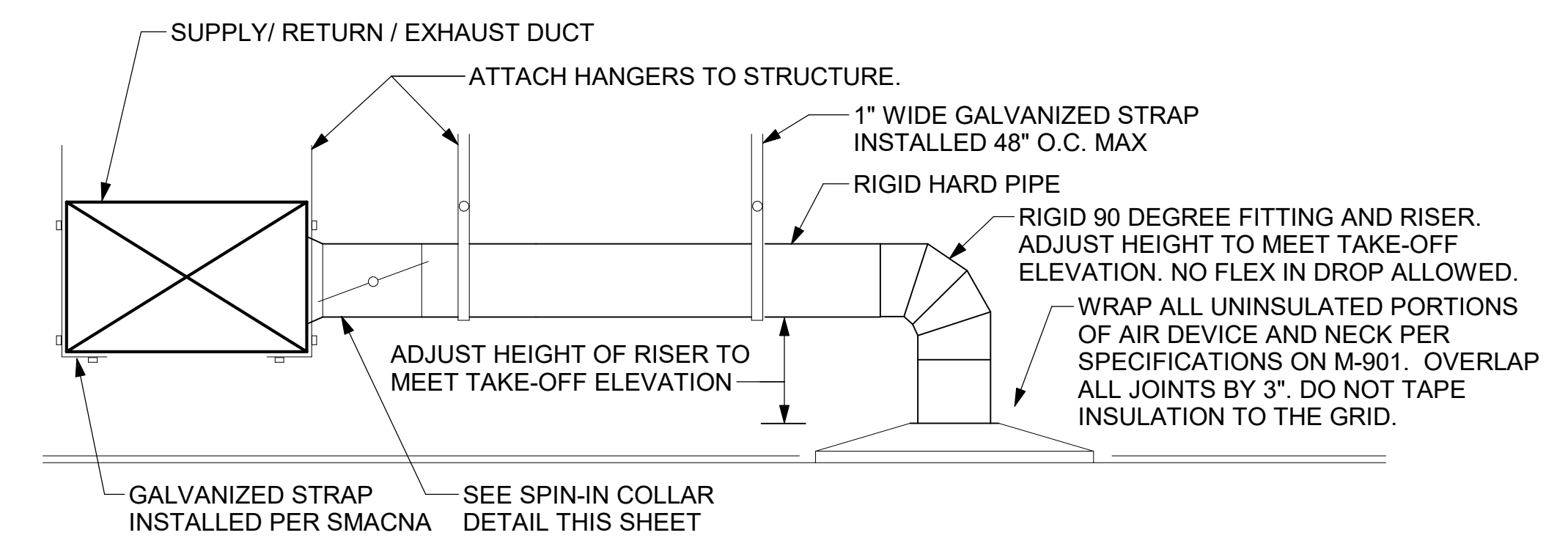
Information contained on this drawing and in all digital files produced for above named project may not be reproduced in any manner without express written or verbal consent from authorized project representatives.

SHEET DETAILS

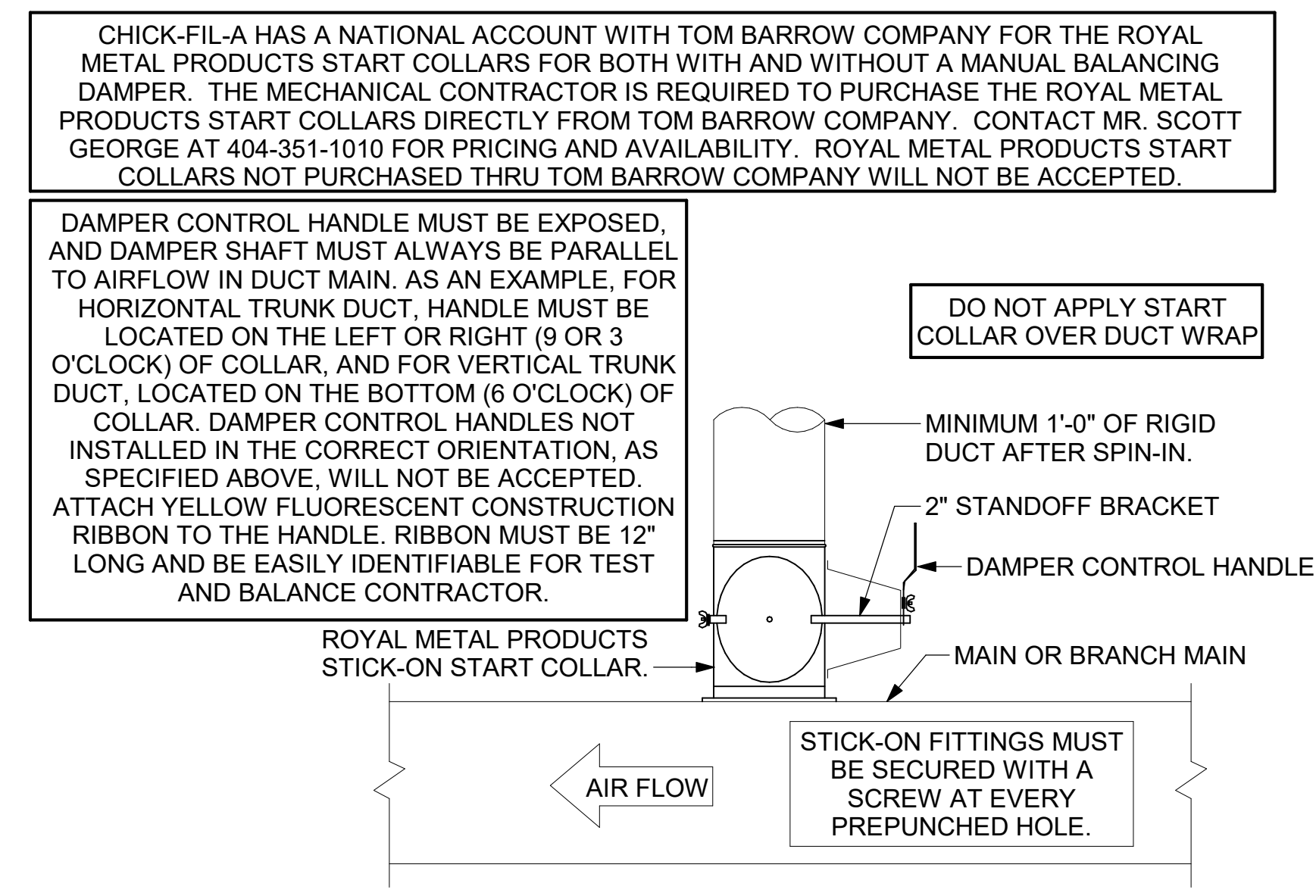
SHEET NUMBER

M-501

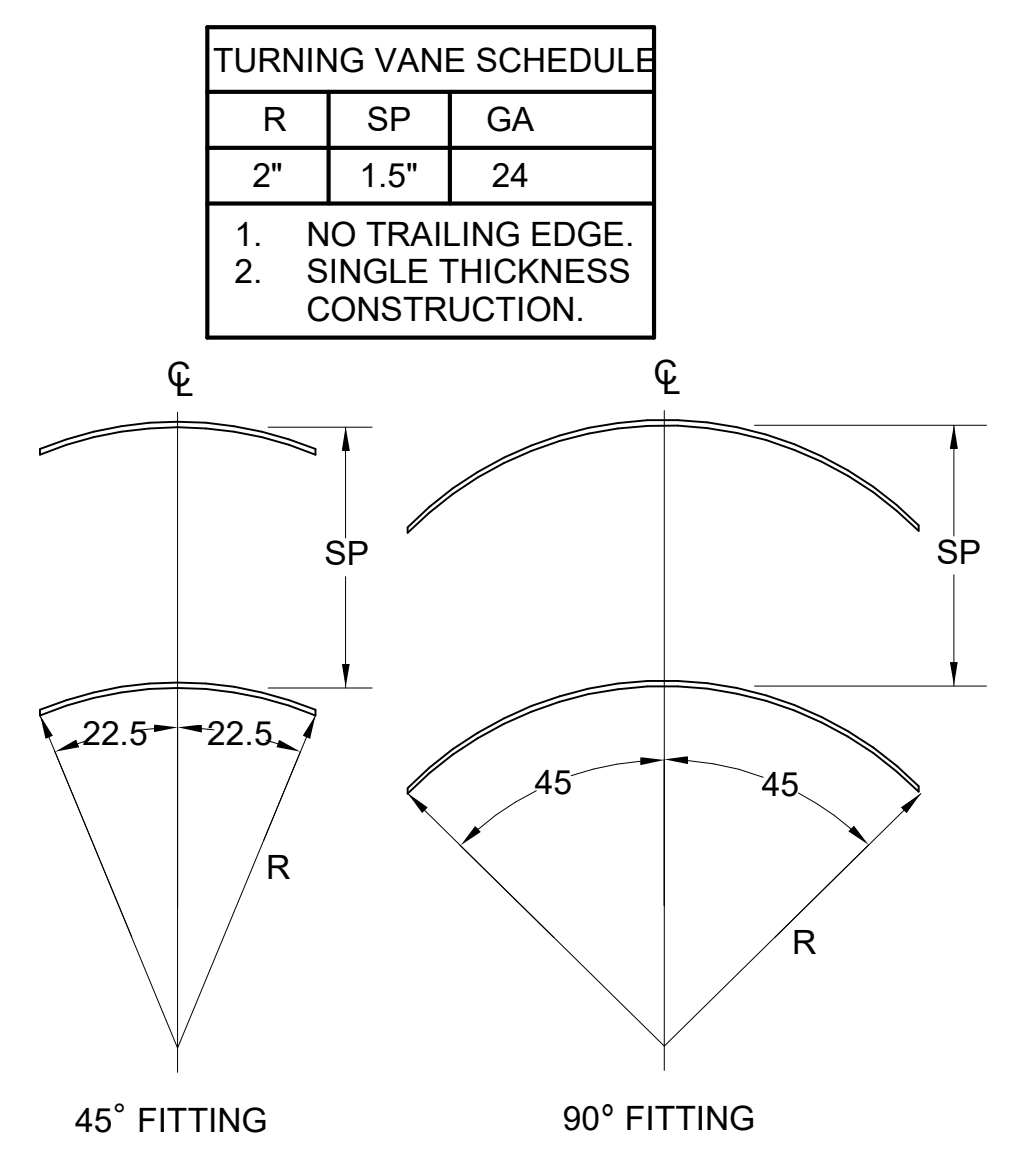
ISSUED FOR CONSTRUCTION



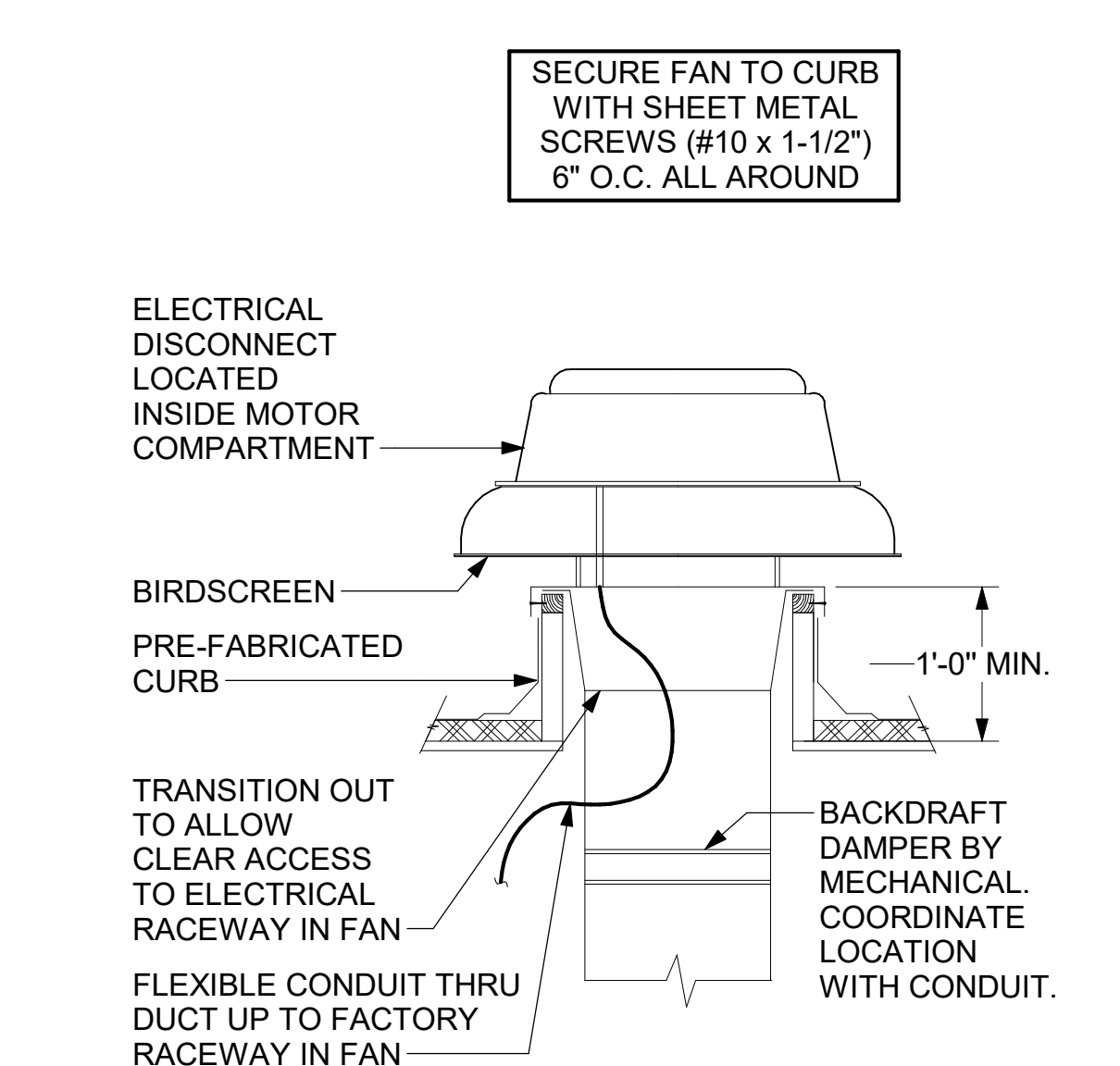
1 SAG/RAG/GRILLE TAKE-OFF
NOT TO SCALE



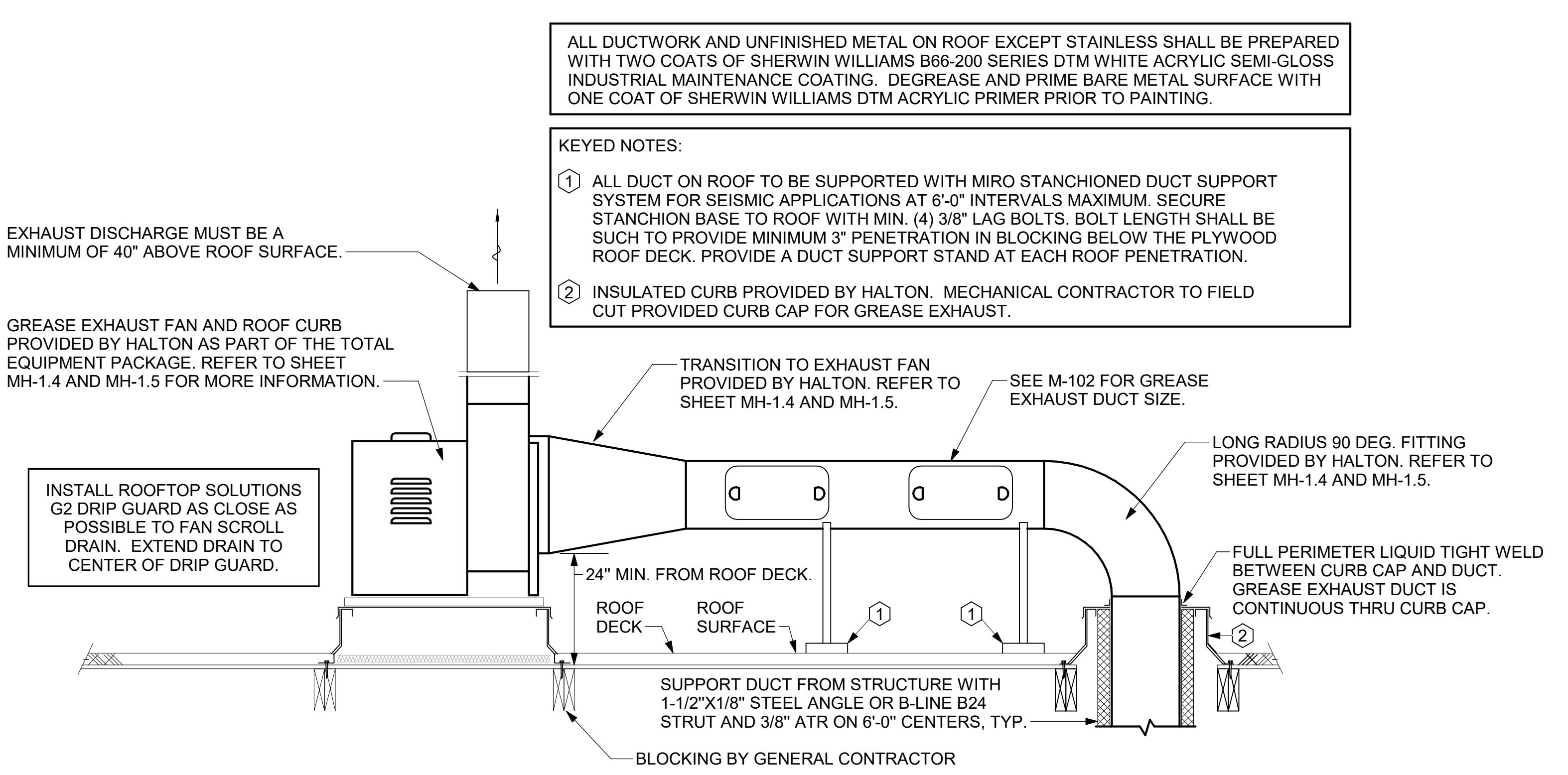
2 START COLLAR
NOT TO SCALE



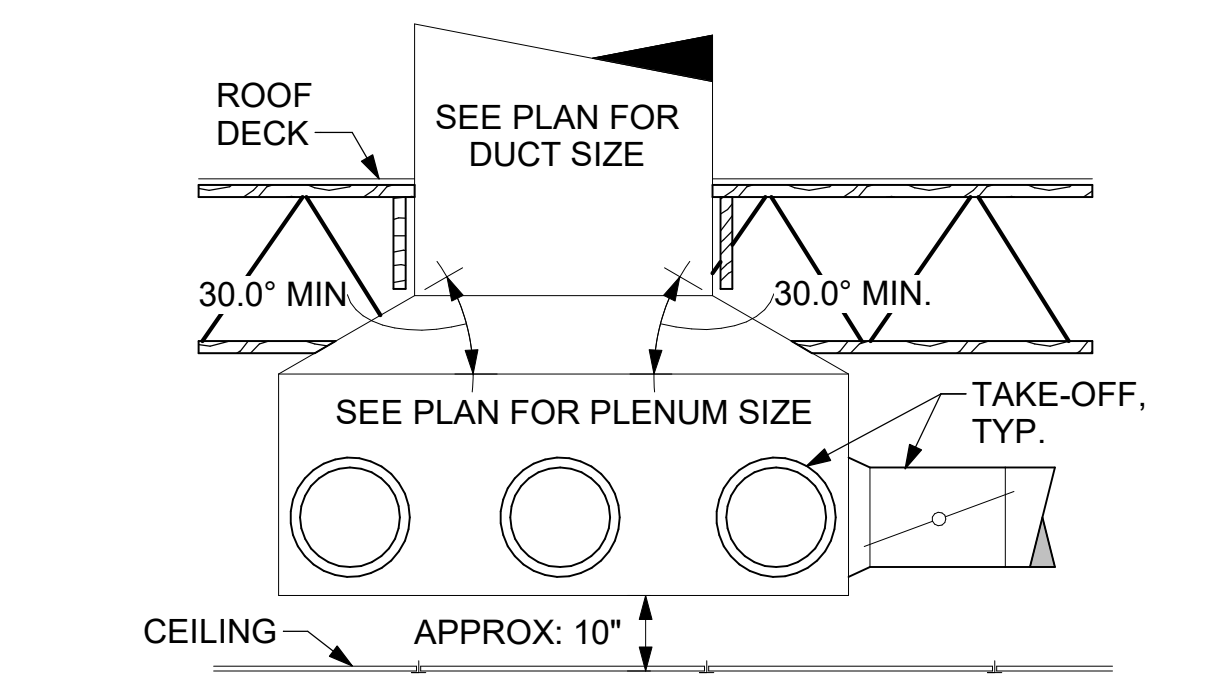
4 TURNING VANES
NOT TO SCALE



3 RESTROOM EXHAUST FAN
NOT TO SCALE



6 KITCHEN HOOD EXHAUST FANS
NOT TO SCALE



5 RETURN DROP GEOMETRY
NOT TO SCALE

Autodesk Docs://NY_05426_Selden_2020_8_FSR/05426_Selden_K&A_MEC.rvt
9/23/2024 10:51:56 AM
30-SE-05426-M-501-1-DETAILS

General		Ventilation														Exhaust					Served by		
Room #	Room Name	Area A _s ft ²	People			Area				Breathing Zone Outdoor Airflow CFM V _{bz}	Zone Air Distribution Effectiveness E _z	Zone Outdoor Airflow CFM V _{oz}	Primary Zone Airflow CFM V _{pz}	Primary Outdoor Air Fraction Z _p	Actual Outdoor Airflow CFM	Area		Toilet			Actual Exhaust CFM	Supply	Exhaust
			Occupant Density People/1,000 ft ²	Occupants People P _z	Outdoor Airflow Rate CFM/Person R _p	Outdoor Airflow CFM P _z x R _p	Outdoor Airflow Rate CFM/ft ² R _a	Outdoor Airflow CFM A _s x R _a	Required Exhaust Rate CFM/ft ²							Total Required Exhaust CFM	Exhaust Control/Operation	Fixture Exhaust Rate CFM/Fixture	Required Fixture Exhaust CFM				
1	Kitchen	1,060	20	22	7.5	165	0.12	127	292	0.8	366	7,700	0.05	1,658	1	742	-	-	-	-	3,315	AC#1 / ALT AC#1	EF-1 / EF-2
2	Kitchen (Dish Washing)	161	15	3	7.5	23	0.18	29	51	0.8	65	425	0.15	92	-	-	-	-	-	-	-	AC#1 / ALT AC#1	-
Total Area		1,221					Total V _{bz}	344	Total Supply Airflow	8,125			1,750	Actual Outdoor Airflow									
						Diversity (D)	0.80	Maximum Z _p		0.15													
						Uncorrected Outdoor Air Intake (V _{un})	312	System Ventilation Efficiency (E _s)		0.90													
						Required Outdoor Air Intake (CFM)	347																

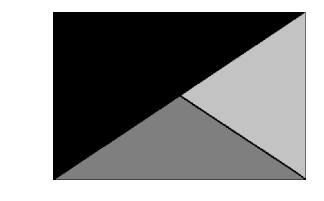
General		Ventilation														Exhaust					Served by		
Room #	Room Name	Area A _s ft ²	People			Area				Breathing Zone Outdoor Airflow CFM V _{bz}	Zone Air Distribution Effectiveness E _z	Zone Outdoor Airflow CFM V _{oz}	Primary Zone Airflow CFM V _{pz}	Primary Outdoor Air Fraction Z _p	Actual Outdoor Airflow CFM	Area		Toilet			Actual Exhaust CFM	Supply	Exhaust
			Occupant Density People/1,000 ft ²	Occupants People P _z	Outdoor Airflow Rate CFM/Person R _p	Outdoor Airflow CFM P _z x R _p	Outdoor Airflow Rate CFM/ft ² R _a	Outdoor Airflow CFM A _s x R _a	Required Exhaust Rate CFM/ft ²							Total Required Exhaust CFM	Exhaust Control/Operation	Fixture Exhaust Rate CFM/Fixture	Required Fixture Exhaust CFM				
5	Meal Fulfillment Area	453	15	7	7.5	52.5	0.18	82	134	0.8	168	4,375	0.04	1,075	-	-	-	-	-	-	-	AC#2 / ALT AC#2	-
Total Area		453					Total V _{bz}	134	Total Supply Airflow	4,375			1,075	Actual Outdoor Airflow									
						Diversity (D)	1.00	Maximum Z _p		0.03													
						Uncorrected Outdoor Air Intake (V _{un})	134	System Ventilation Efficiency (E _s)		1.00													
						Required Outdoor Air Intake (CFM)	134																

General		Ventilation														Exhaust					Served by		
Room #	Room Name	Area A _s ft ²	People			Area				Breathing Zone Outdoor Airflow CFM V _{bz}	Zone Air Distribution Effectiveness E _z	Zone Outdoor Airflow CFM V _{oz}	Primary Zone Airflow CFM V _{pz}	Primary Outdoor Air Fraction Z _p	Actual Outdoor Airflow CFM	Area		Toilet			Actual Exhaust CFM	Supply	Exhaust
			Occupant Density People/1,000 ft ²	Occupants People P _z	Outdoor Airflow Rate CFM/Person R _p	Outdoor Airflow CFM P _z x R _p	Outdoor Airflow Rate CFM/ft ² R _a	Outdoor Airflow CFM A _s x R _a	Required Exhaust Rate CFM/ft ²							Total Required Exhaust CFM	Exhaust Control/Operation	Fixture Exhaust Rate CFM/Fixture	Required Fixture Exhaust CFM				
1	Dining	1,123	70	79	7.5	592.5	0.18	202	795	0.8	994	4,050	0.245	984	-	-	-	-	-	-	-	AC#3 / ALT AC#3	-
2	Serving	278	15	5	7.5	38	0.18	50	88	0.8	110	450	0.24	109	-	-	-	-	-	-	-	AC#3 / ALT AC#3	-
3	Men's RR	162	-	-	-	-	-	-	-	0.8	-	125	-	30	-	-	Continuous	50	100	150	-	AC#3 / ALT AC#3	EF-3
4	Women's RR	162	-	-	-	-	-	-	-	0.8	-	125	-	30	-	-	Continuous	50	100	150	-	AC#3 / ALT AC#3	EF-3
5	RR Vestibule	97	-	-	-	-	0.06	6	6	0.8	8	100	0.07	24	-	-	-	-	-	-	-	AC#3 / ALT AC#3	-
6	Entry Vestibule	76	-	-	-	-	0.06	5	5	0.8	6	400	0.01	97	-	-	-	-	-	-	-	AC#3 / ALT AC#3	-
7	-	-	-	-	-	-	-	-	-	0.8	-	-	-	-	-	-	-	-	-	-	-	AC#3 / ALT AC#3	-
Total Area		1,898					Total V _{bz}	893	Total Supply Airflow	5,250			1,275	Actual Outdoor Airflow									
						Diversity (D)	0.98	Maximum Z _p		0.245													
						Uncorrected Outdoor Air Intake (V _{un})	886	System Ventilation Efficiency (E _s)		0.90													
						Required Outdoor Air Intake (CFM)	984																

General		Ventilation														Exhaust					Served by		
Room #	Room Name	Area A _s ft ²	People			Area				Breathing Zone Outdoor Airflow CFM V _{bz}	Zone Air Distribution Effectiveness E _z	Zone Outdoor Airflow CFM V _{oz}	Primary Zone Airflow CFM V _{pz}	Primary Outdoor Air Fraction Z _p	Actual Outdoor Airflow CFM	Area		Toilet			Actual Exhaust CFM	Supply	Exhaust
			Occupant Density People/1,000 ft ²	Occupants People P _z	Outdoor Airflow Rate CFM/Person R _p	Outdoor Airflow CFM P _z x R _p	Outdoor Airflow Rate CFM/ft ² R _a	Outdoor Airflow CFM A _s x R _a	Required Exhaust Rate CFM/ft ²							Total Required Exhaust CFM	Exhaust Control/Operation	Fixture Exhaust Rate CFM/Fixture	Required Fixture Exhaust CFM				
1	Employee RR	62	-	-	-	-	-	-	-	0.8	-	40	-	10	-	-	Intermittent	70	70	75	-	AC#4 / ALT AC#4	EF-4
2	Service	122	-	-	-	-	0.12	15	15	0.8	19	385	0.05	94	-	-	-	-	-	-	-	AC#4 / ALT AC#4	-
3	Team Member Room	171	50	9	5	45	0.06	10	55	0.8	70	700	0.10	170	-	-	-	-	-	-	-	AC#4 / ALT AC#4	-
4	Office	70	9	1	5	5	0.06	4	9	0.8	12	200	0.06	49	-	-	-	-	-	-	-	AC#4 / ALT AC#4	-
5	Riser Room	107	-	-	-	-	0.12	13	13	0.8	17	425	0.04	103	-	-	-	-	-	-	-	AC#4 / ALT AC#4	-
Total Area		532					Total V _{bz}	92	Total Supply Airflow	1,750			425	Actual Outdoor Airflow									
						Diversity (D)	0.90	Maximum Z _p		0.09													
						Uncorrected Outdoor Air Intake (V _{un})	88	System Ventilation Efficiency (E _s)		1.00													
						Required Outdoor Air Intake (CFM)	87																



Chick-fil-A
 5200 Buffington Road
 Atlanta, Georgia
 30349-2998



Kurzynske & Associates
 2705 Lebanon Pike - Suite One
 Nashville, Tennessee 37214
 Telephone: (615) 255-5203



09/24/24

CHICK-FIL-A
 Selden FSU

949 Middle Country Road
 Selden, NY 11784

FSR#05426

BUILDING TYPE / SIZE: P14 SE BN
 RELEASE: 23.09
 PRINTED FOR:
 ISSUED FOR CONSTRUCTION

REVISION SCHEDULE

NO.	DATE	DESCRIPTION

ISSUED FOR CONSTRUCTION

CONSULTANT PROJECT # 24015.CD.S
 DATE 09/24/2024
 DRAWN BY BLM

Information contained on this drawing and in all digital files produced for above named project may not be reproduced in any manner without express written or verbal consent from authorized project representatives.

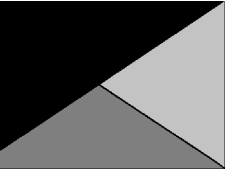
SHEET VENTILATION SCHEDULES

SHEET NUMBER

M-602



Chick-fil-A
5200 Buffington Road
Atlanta, Georgia
30349-2998



Kurzynske & Associates
2705 Lebanon Pike - Suite One
Nashville, Tennessee 37214
Telephone: (615) 255-5203



09/24/24

CHICK-FIL-A
Selden FSU

949 Middle Country Road
Selden, NY 11784

FSR#05426

BUILDING TYPE / SIZE: P14 SE BN
RELEASE: 23.09
PRINTED FOR:
ISSUED FOR CONSTRUCTION

REVISION SCHEDULE

NO. DATE DESCRIPTION

ISSUED FOR CONSTRUCTION

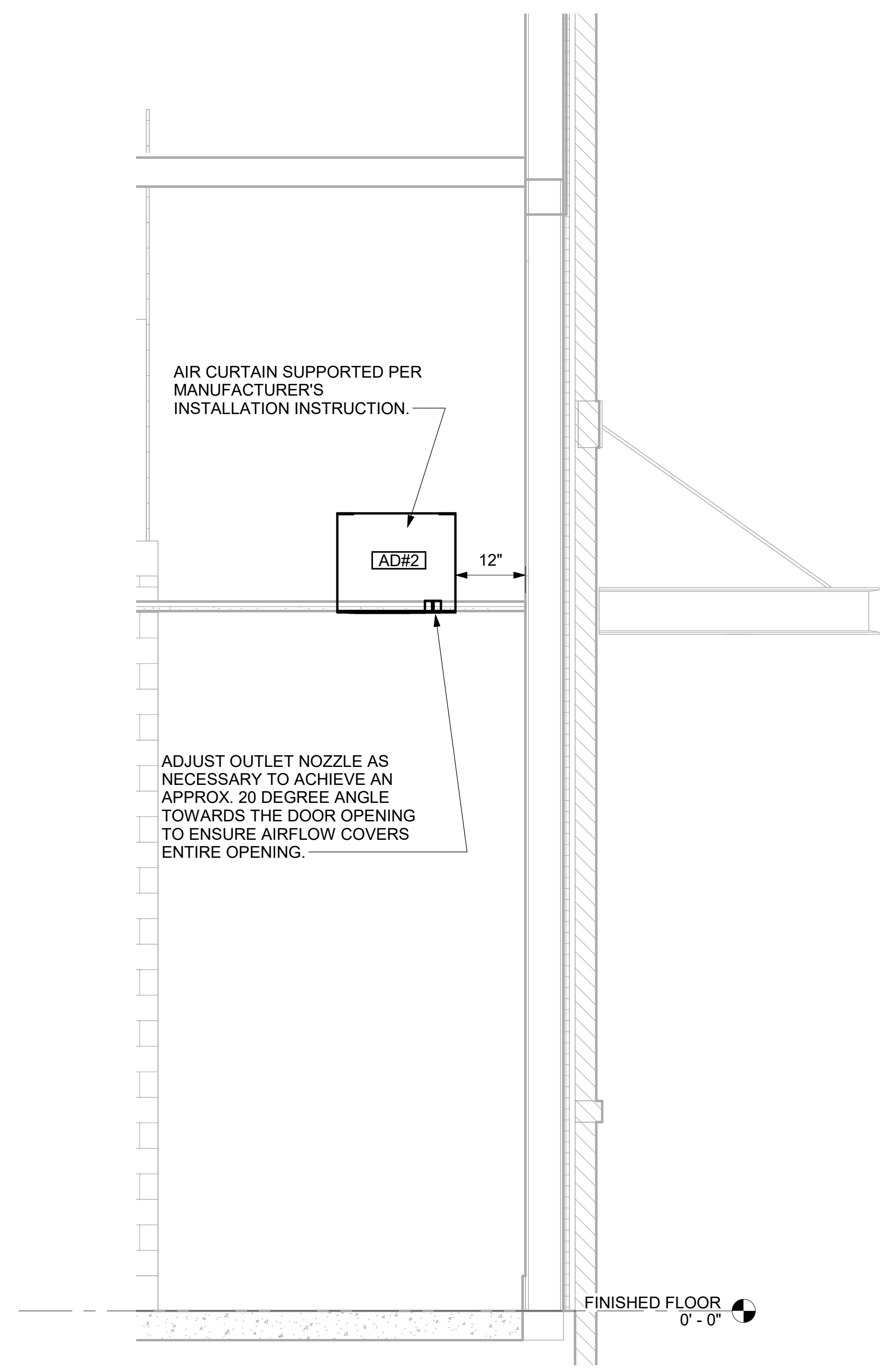
CONSULTANT PROJECT # 24015.CD.S
DATE 09/24/2024

DRAWN BY: BLM
Information contained on this drawing and in all digital files produced for above named project may not be reproduced in any manner without express written or verbal consent from authorized project representatives.

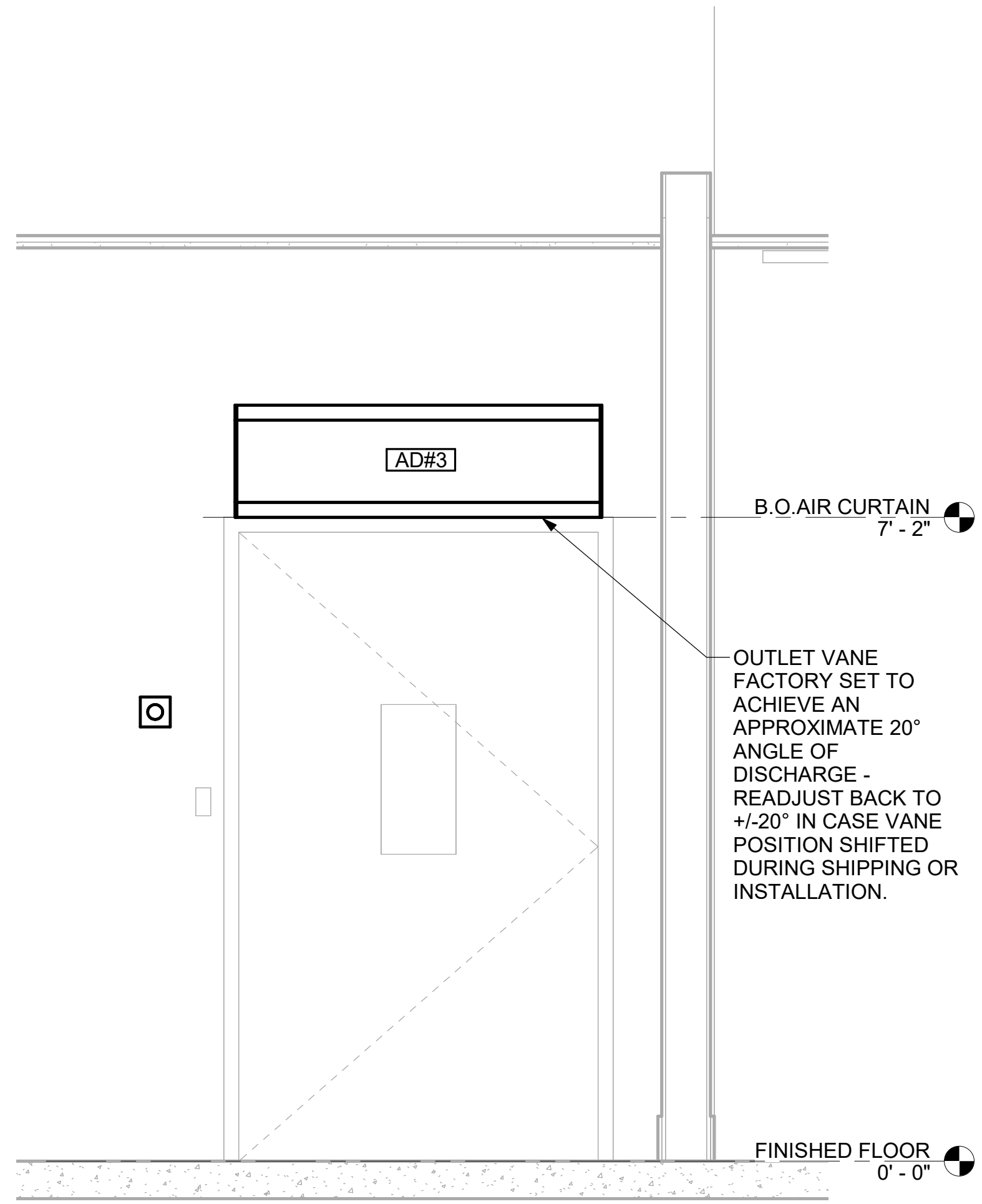
SHEET SECTIONS

SHEET NUMBER

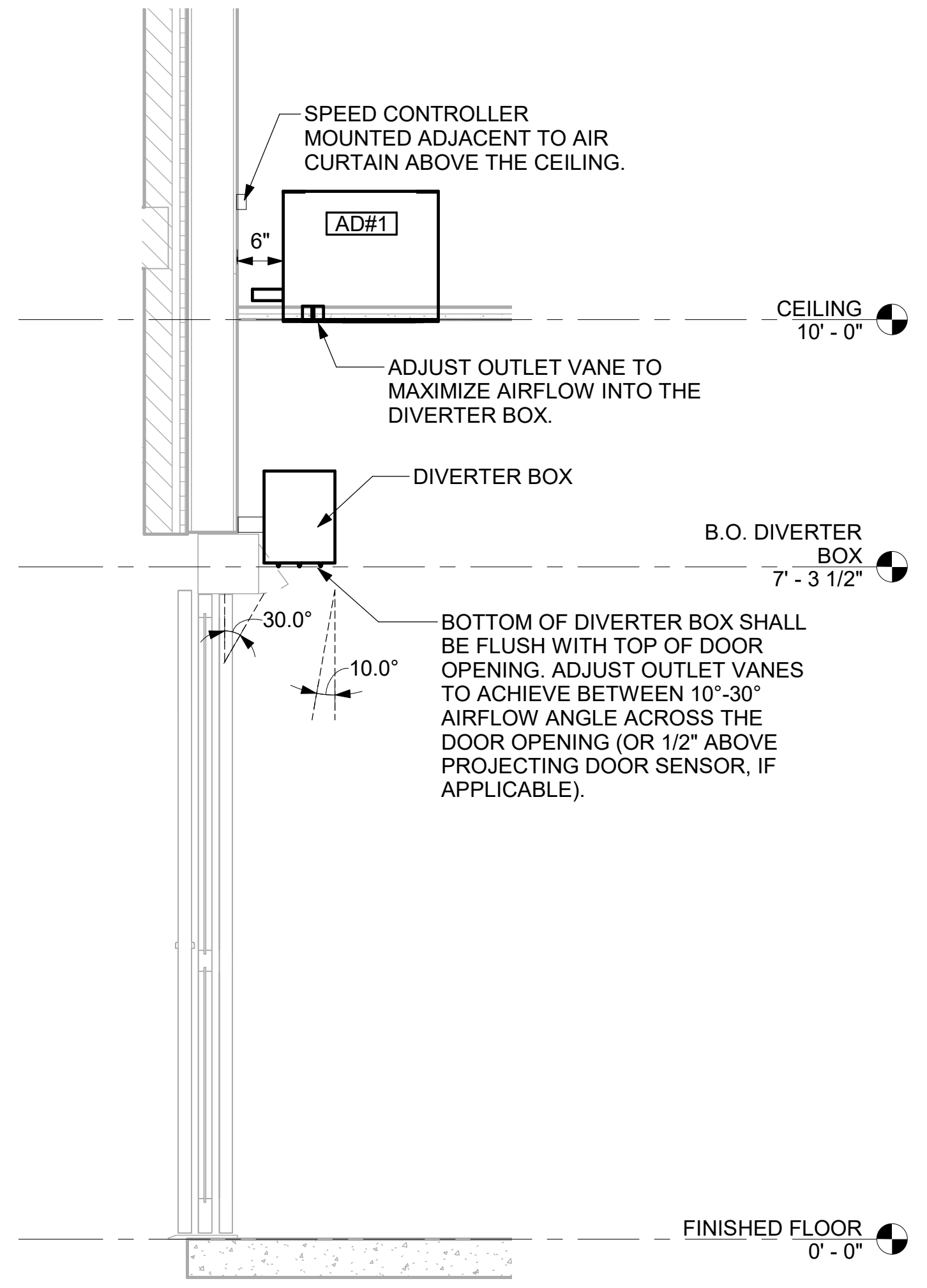
M-301



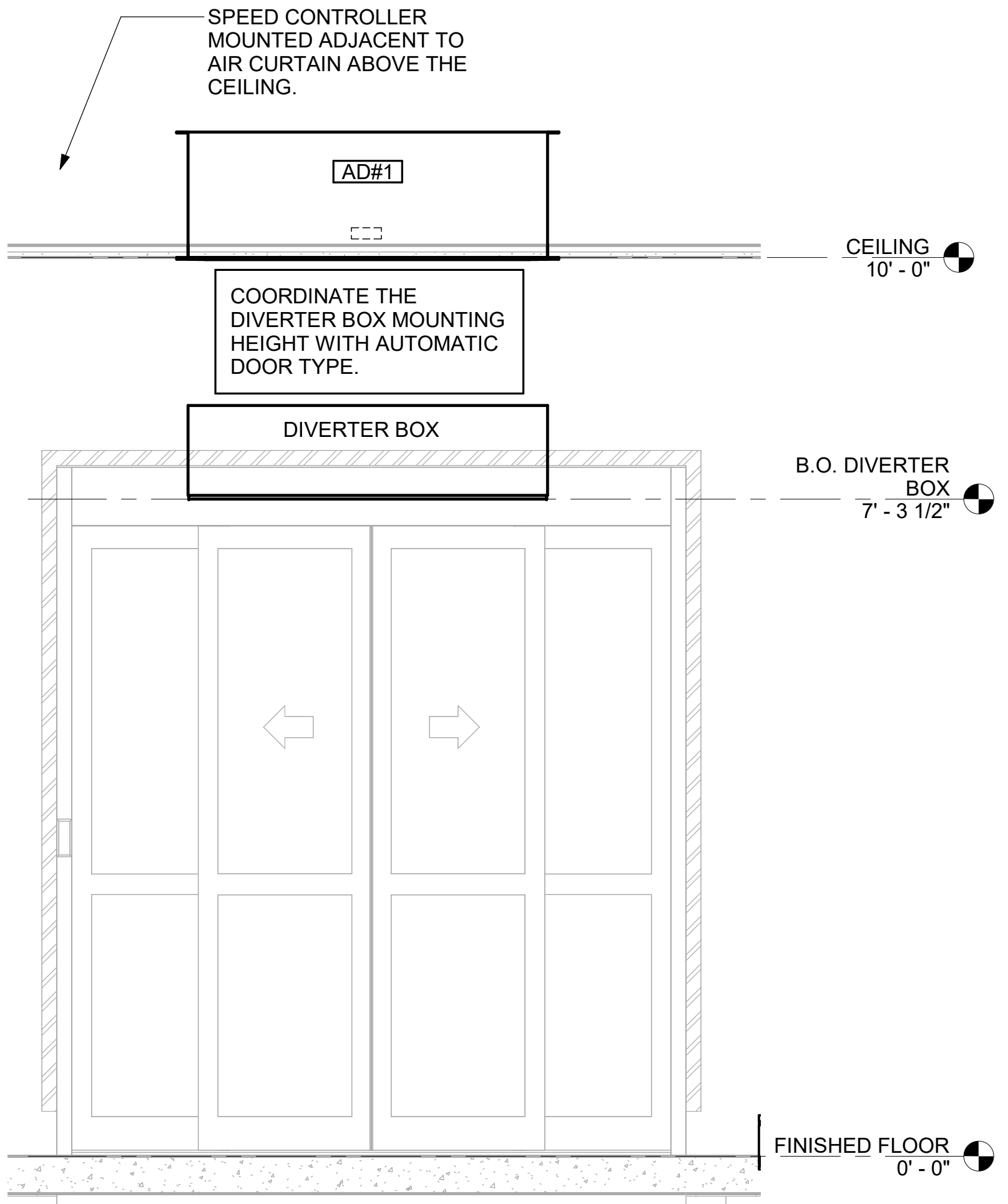
4 AD#2 SIDE VIEW
3/4" = 1'-0"



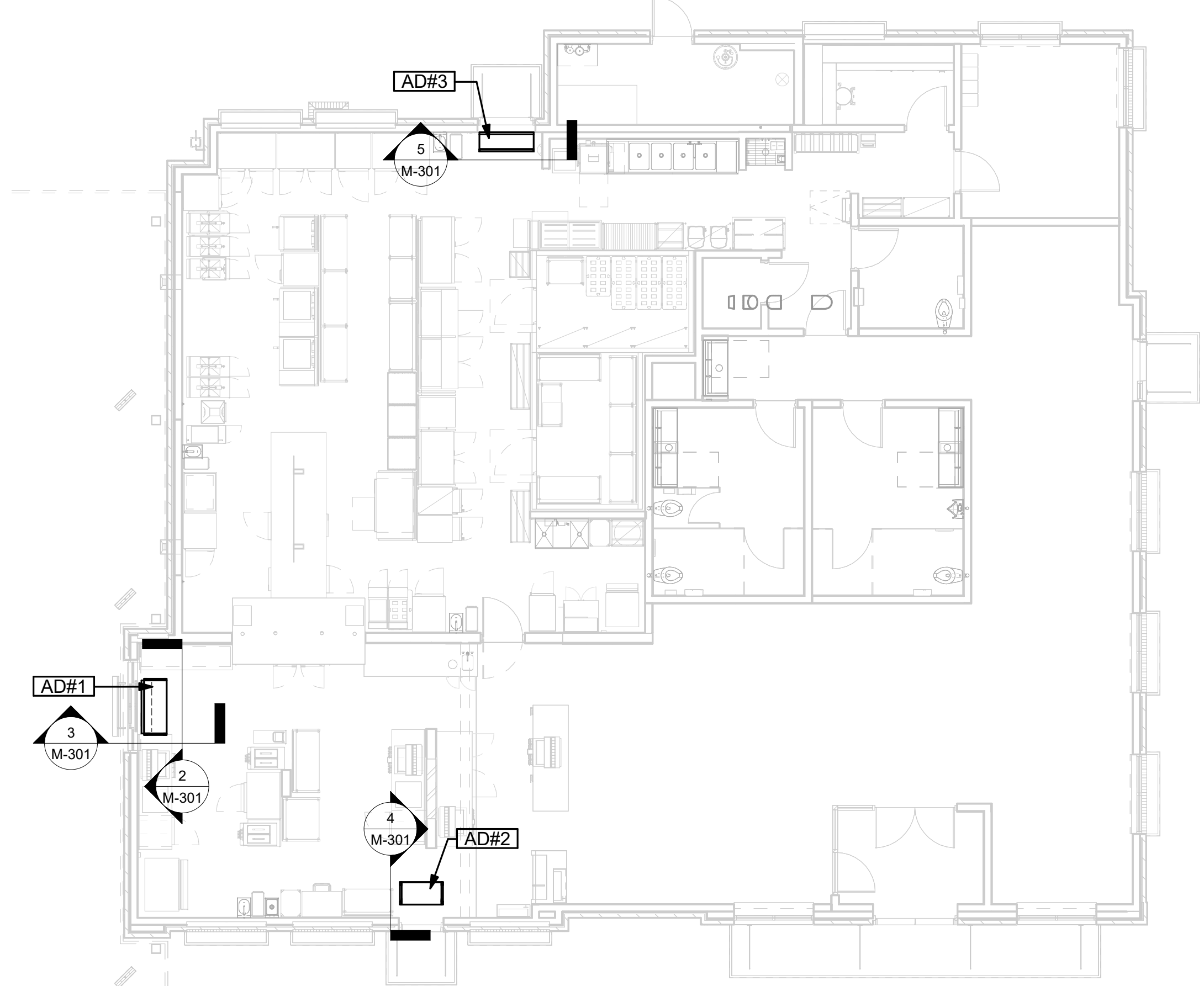
5 AD#3 FRONT VIEW
3/4" = 1'-0"



3 AD#1 SIDE VIEW
3/4" = 1'-0"



2 AD#1 FRONT VIEW
3/4" = 1'-0"

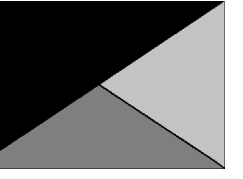


1 VARIOUS SECTIONS
1/8" = 1'-0"

Autodesk Docs://NY_05426_Selden_2020.8_FSR/05426_Selden_K&A_MEC.rvt
9/23/2024 10:51:50 AM
30-SE-05426-M-301-SECTIONS



Chick-fil-A
5200 Buffington Road
Atlanta, Georgia
30349-2998



**Kurzynske
& Associates**
2705 Lebanon Pike - Suite One
Nashville, Tennessee 37214
Telephone: (615) 255-5203



09/24/24

CHICK-FIL-A
Selden FSU

949 Middle Country Road
Selden, NY 11784

FSR#05426

BUILDING TYPE / SIZE: P14 SE BN
RELEASE: 23.09
PRINTED FOR:
ISSUED FOR CONSTRUCTION

REVISION SCHEDULE

NO.	DATE	DESCRIPTION

ISSUED FOR CONSTRUCTION

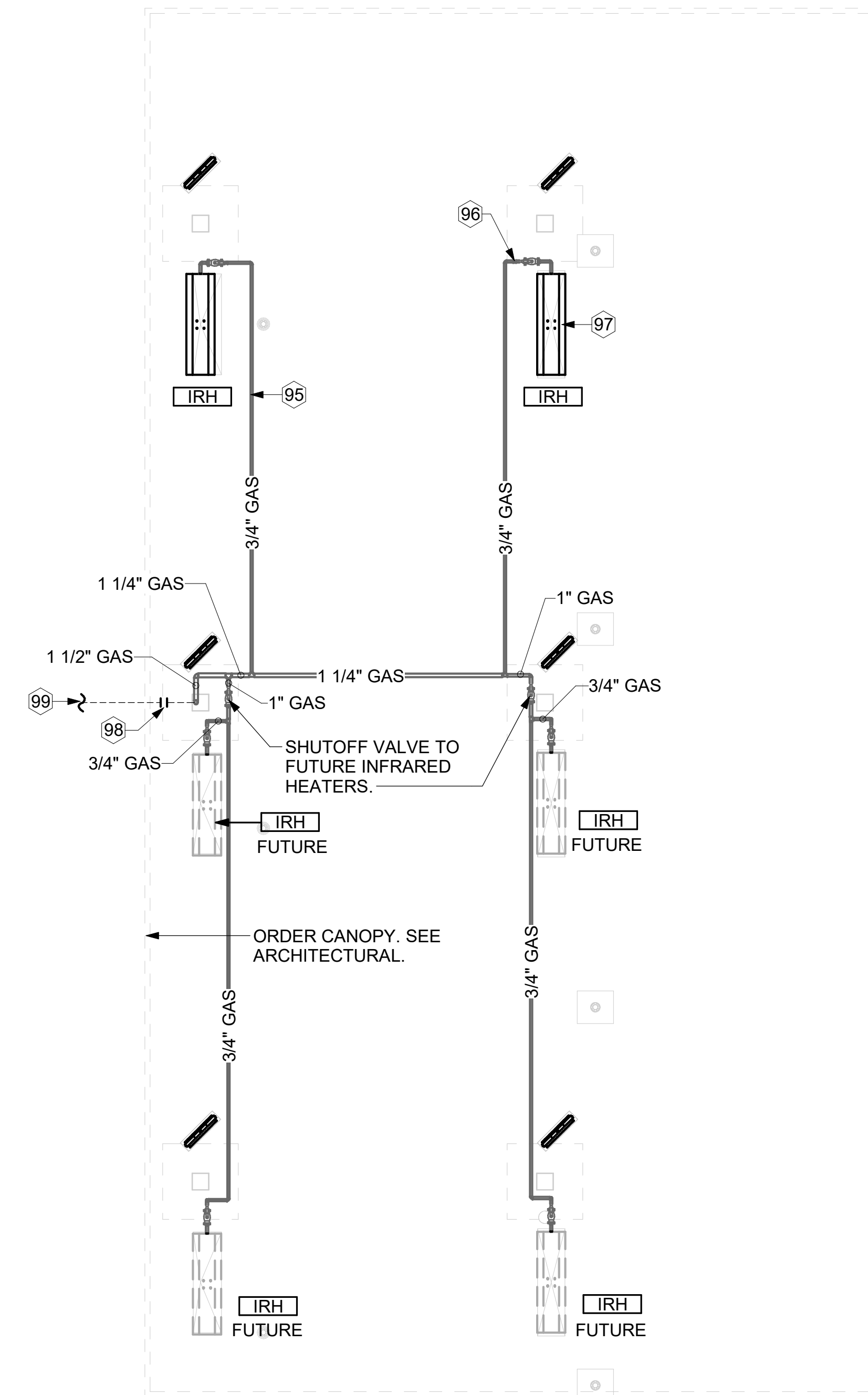
CONSULTANT PROJECT # 24015.CD.S
DATE 09/24/2024
DRAWN BY BLM

Information contained on this drawing and in all digital files produced for above named project may not be reproduced in any manner without express written or verbal consent from authorized project representatives.

SHEET CANOPY HVAC PLAN

SHEET NUMBER

M-103



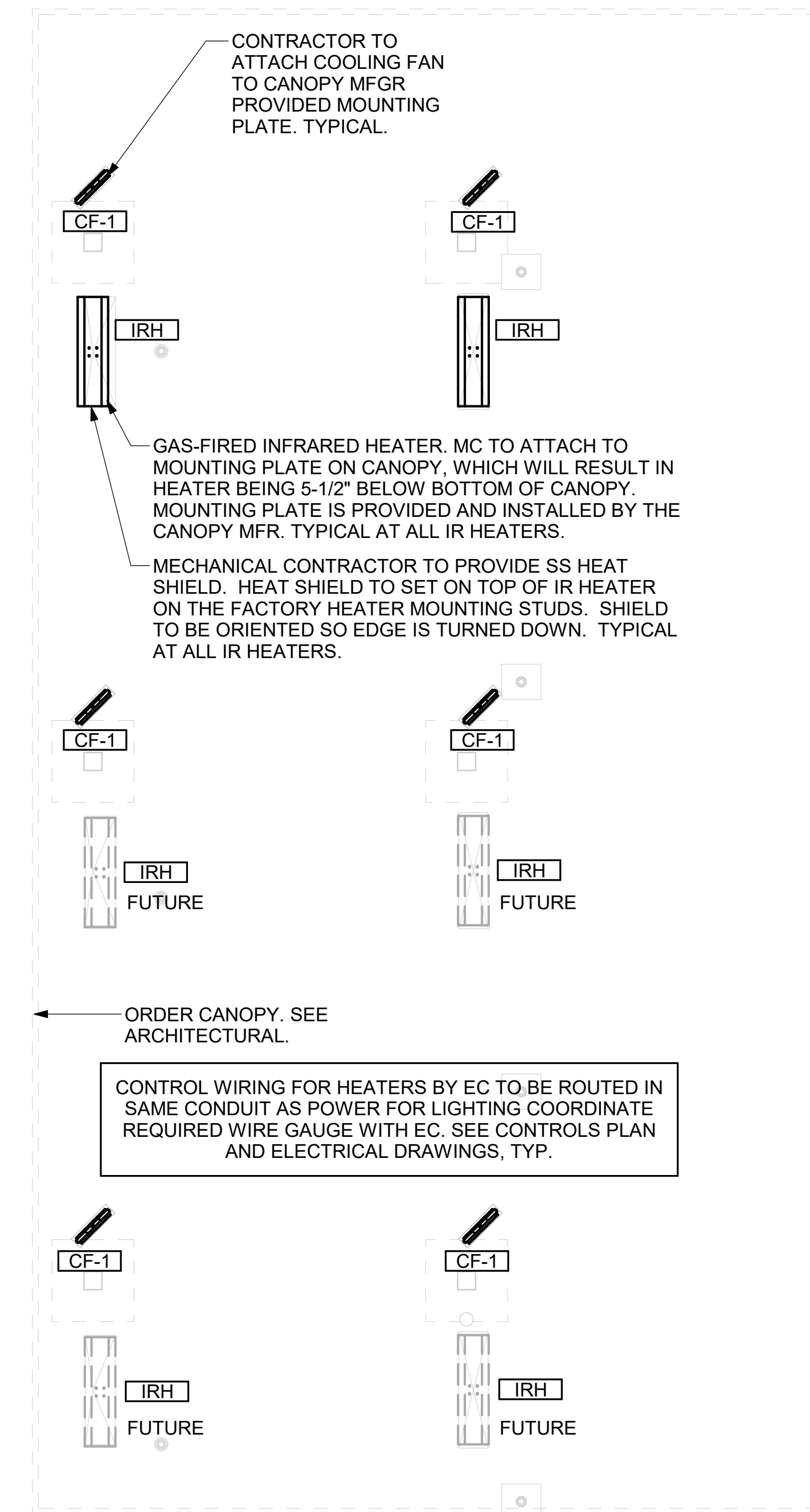
2 ORDER CANOPY GAS PIPING PLAN
1/4" = 1'-0"

KEY NOTES

- 95 GAS PIPING TO BE ROUTED ABOVE CANOPY, ON TOP OF STRUCTURAL MEMBERS, EXCEPT WHERE ROUTED DOWN THROUGH PENETRATIONS AS INDICATED.
- 96 GAS PIPING DOWN THROUGH DECK. WEATHERPROOF DECK PENETRATION PER DETAIL 6/M-502, TYPICAL.
- 97 SEE DETAIL 1/M-502 FOR PIPING AT IRH, TYPICAL.
- 98 GAS TRANSITION FITTING TO GAS PIPE STUB-OUT. GAS PIPING INSIDE COLUMN AND STUB-OUTS BY CANOPY MFR. JOIN UNDERGROUND POLYETHYLENE GAS PIPING TO TRANSITION FITTING WITH ELSTER PERMASERT COUPLING. CANOPY MFR'S EXPOSED STEEL PIPING BELOW GRADE SHALL BE PROTECTED WITH TWO COATS ASPHALT TUM BASE PAINT AND POLY SLEEVE.
- 99 1-1/2" GAS B/G TO METER SEE 1/M-102.

CANOPY GENERAL NOTES

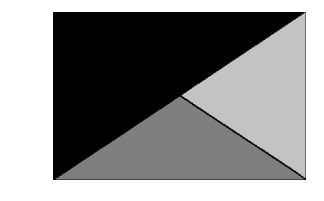
1. COORDINATE WORK WITH CONDUIT, STRUCTURE, AND PIPING. FIELD VERIFY CONDITIONS PRIOR TO START OF WORK.
2. COORDINATE LOCATION AND RESPONSIBILITIES FOR UNDERGROUND PIPING AND ASSOCIATED TRENCHING WITH GENERAL CONTRACTOR PRIOR TO START OF WORK.
3. EXPOSED GAS PIPING SHALL BE COVERED WITH A RUST INHIBITING PAINT SUCH AS RUST-OLEUM 5200. PAINT COLOR SHALL MATCH STRUCTURE. ROOF MOUNTED GAS PIPING COLOR SHALL BE YELLOW.
4. CONTROL WIRING FOR HEATERS BY EC. COORDINATE REQUIRED WIRE GAUGE WITH EC. SEE CONTROLS PLAN AND ELECTRICAL DRAWINGS, (TYP.).



1 MECHANICAL FLOOR PLAN - ORDER CANOPY
1/4" = 1'-0"



Chick-fil-A
5200 Buffington Road
Atlanta, Georgia
30349-2998



Kurzynske & Associates
2705 Lebanon Pike - Suite One
Nashville, Tennessee 37214
Telephone: (615) 255-5203



09/24/24

CHICK-FIL-A
Selden FSU

949 Middle Country Road
Selden, NY 11784

FSR#05426

BUILDING TYPE / SIZE: P14 SE BN
RELEASE: 23.09
PRINTED FOR:
ISSUED FOR CONSTRUCTION

REVISION SCHEDULE

NO.	DATE	DESCRIPTION

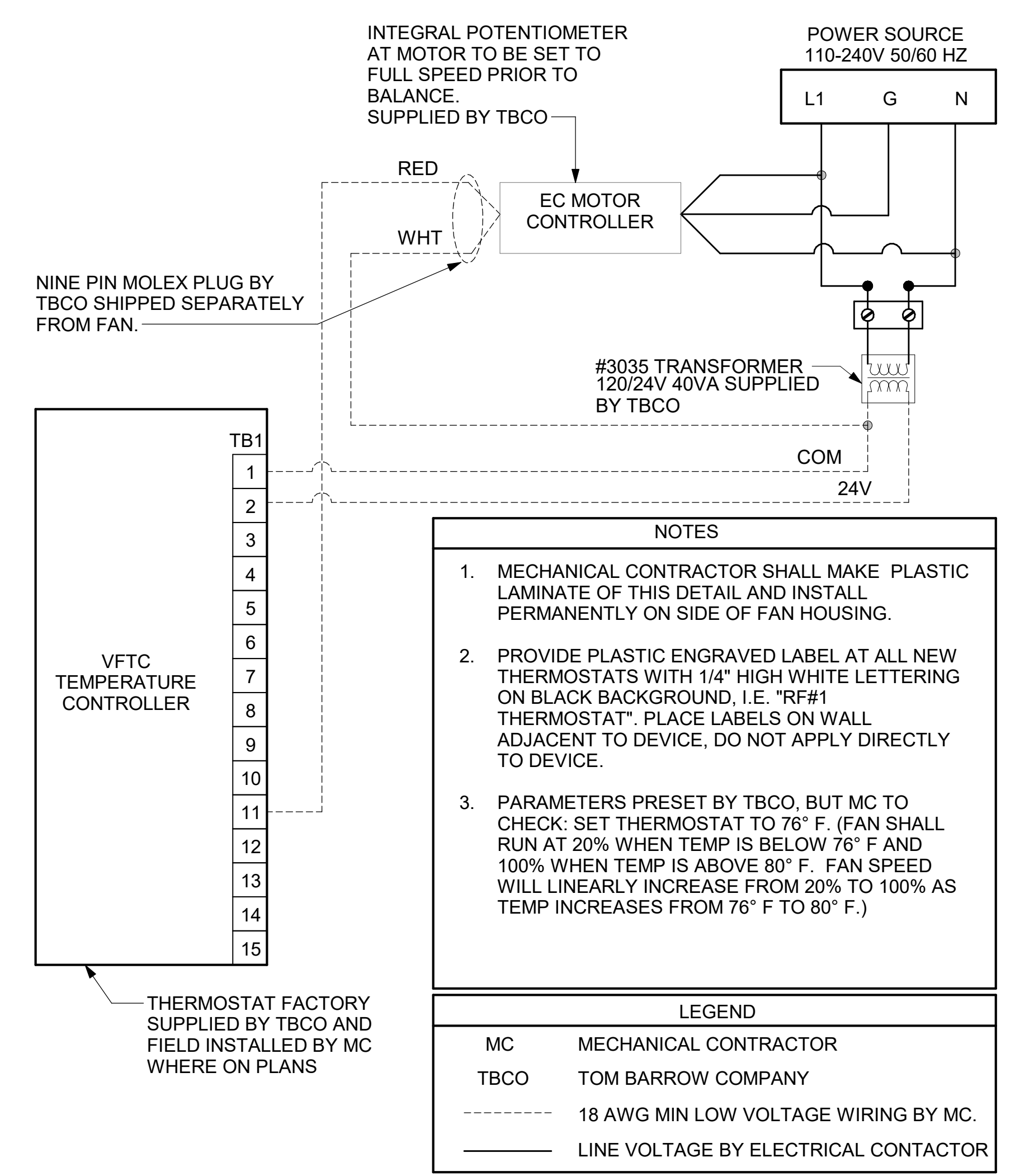
ISSUED FOR CONSTRUCTION

CONSULTANT PROJECT # 24015.CD.S
DATE 09/24/2024
DRAWN BY BLM

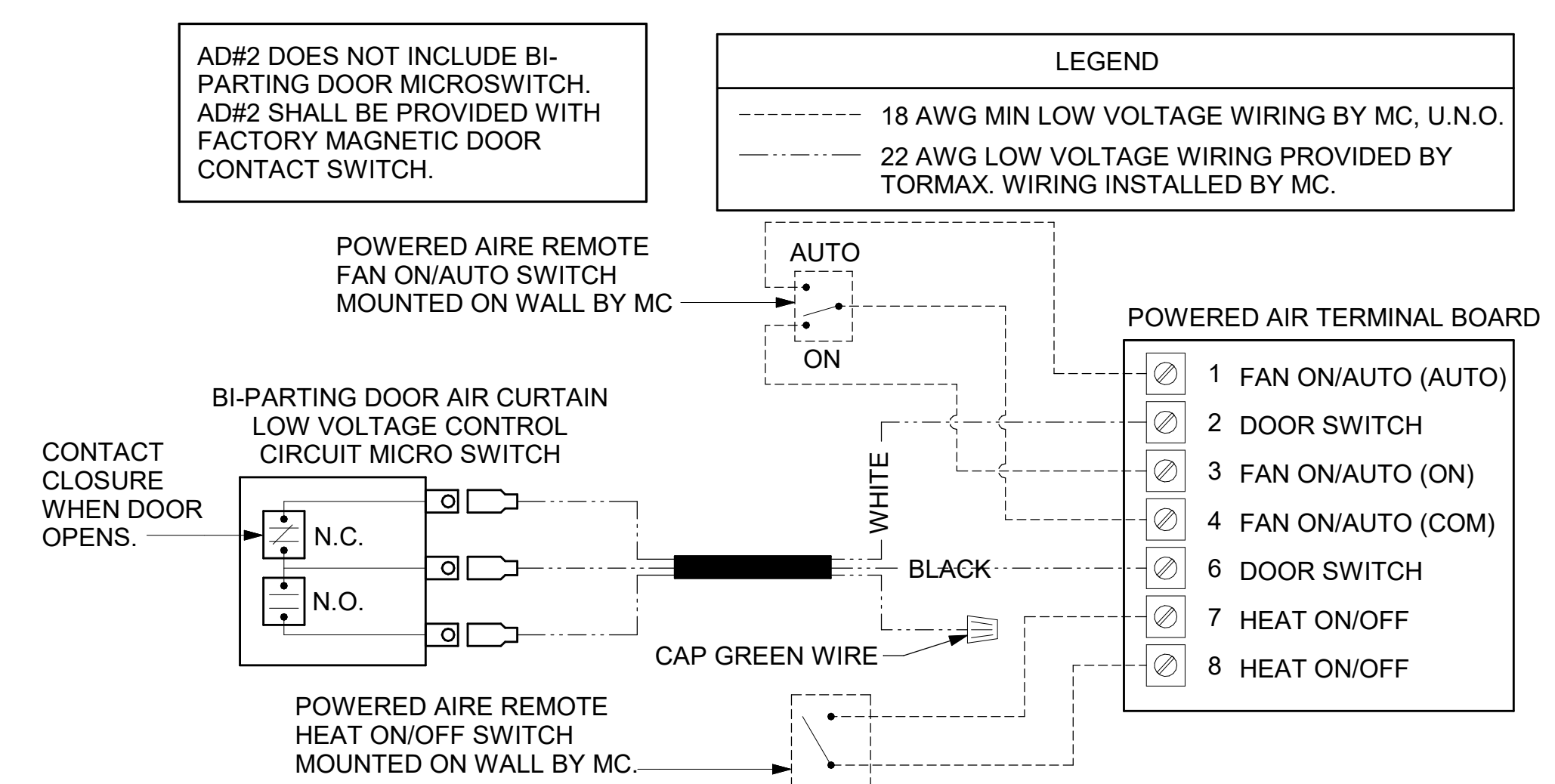
Information contained on this drawing and in all digital files produced for above named project may not be reproduced in any manner without express written or verbal consent from authorized project representatives.

SHEET
CONTROL WIRING DIAGRAMS

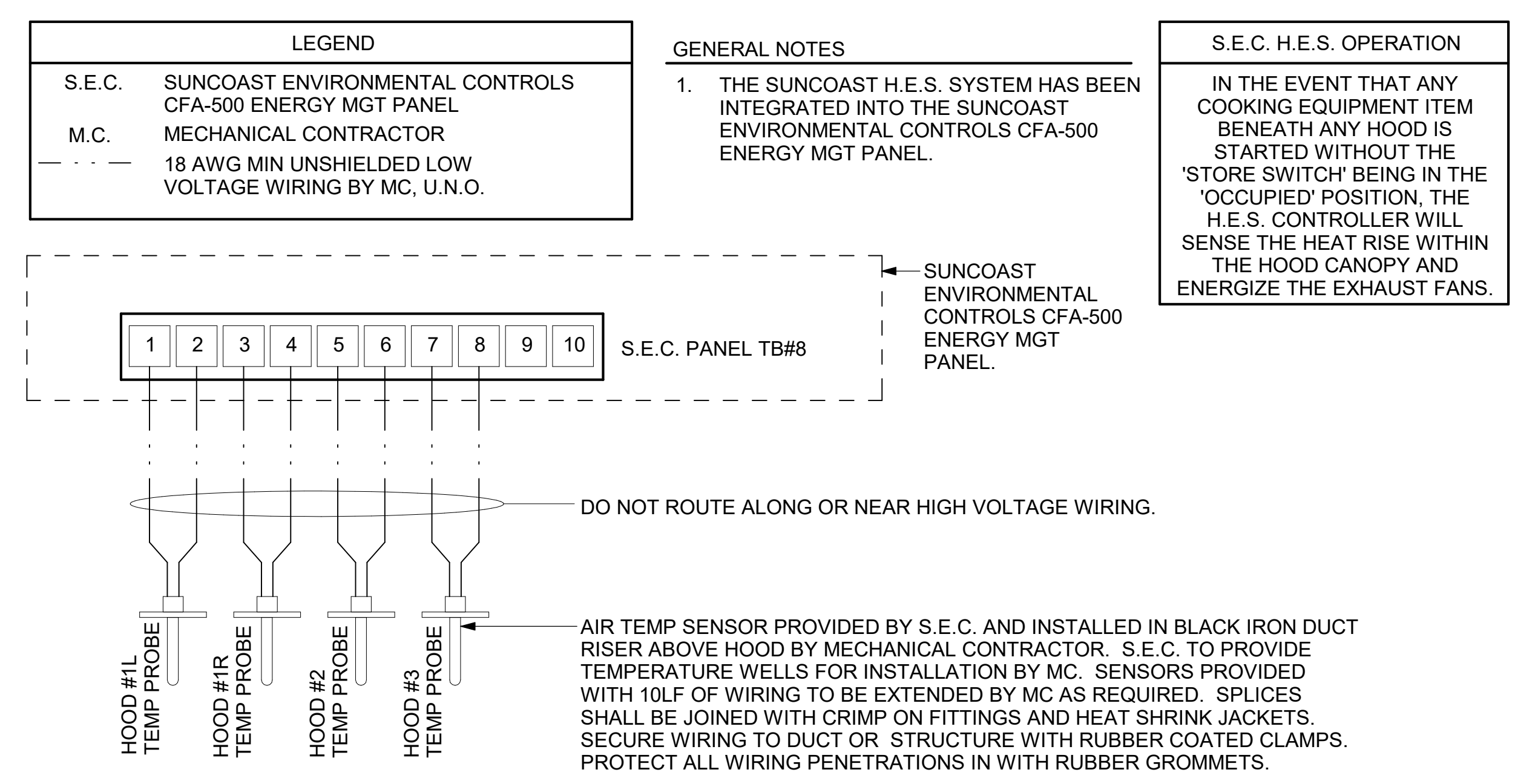
SHEET NUMBER
M-702



1 TECH CLOSET CONTROL DIAGRAM
NOT TO SCALE



2 AIR CURTAIN WIRING DIAGRAM
NOT TO SCALE



3 HOOD FAN/EQUIPMENT INTERLOCK
NOT TO SCALE

ISO VIEW
W/B RACK

FIRE EXTINGUISHER

ANSUL

13051 5 LBS ABC MODEL AA05 QTY _____

13052 10 LBS ABC MODEL AA10S QTY _____

13053 6 LTR CLASS K-GUARD K01-3 QTY _____

SUPPLIED BY
HALTON

NOTE:
FIRE SYSTEM TYPE TO BE
DETERMINED AT TIME OF
ORDER RELEASE.

ANSUL MICROSWITCH DETAIL

UPPER SWITCHES: BLACK, RED, BROWN, BLACK, RED, BROWN. VOLTAGE FREE NO CONTACTS FOR INTERCONNECTION TO THE MUA HVAC SYSTEM. POWER TO COOKING EQUIPMENT SHUNT TRIP BREAKER (BY OTHERS). VOLTAGE FREE NO CONTACTS FOR INTERCONNECTION TO THE COOKING EQUIP SHUNT TRIP.

LOWER SWITCHES: BLACK, RED, BROWN, BLACK, RED, BROWN. VOLTAGE FREE NO CONTACTS FOR INTERCONNECTION TO THE BUILDING ALARM SYSTEM. VOLTAGE FREE EXTRA CONTACTS.

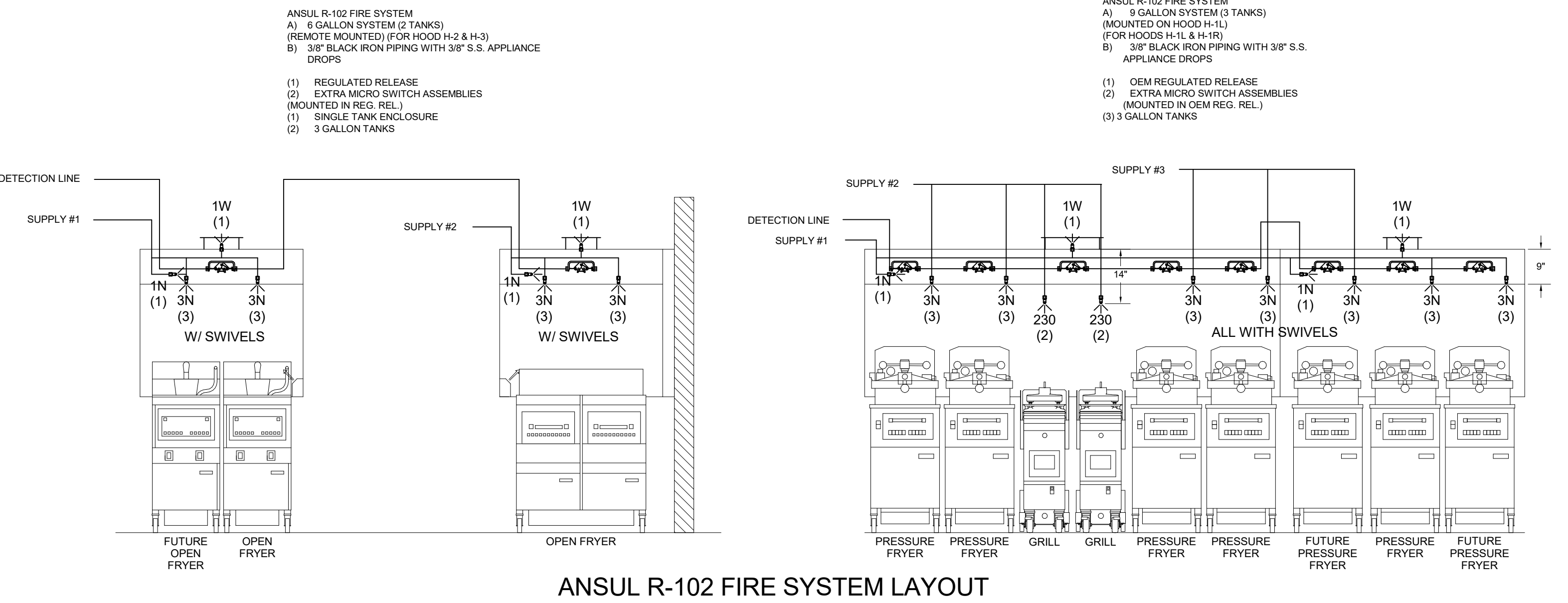
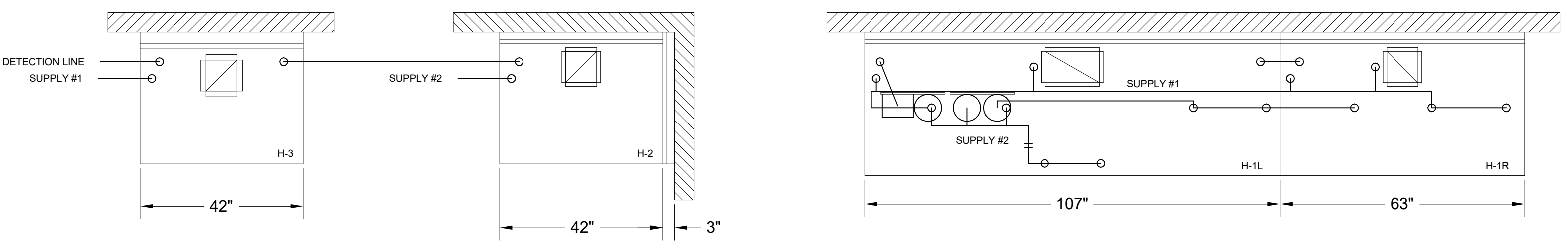
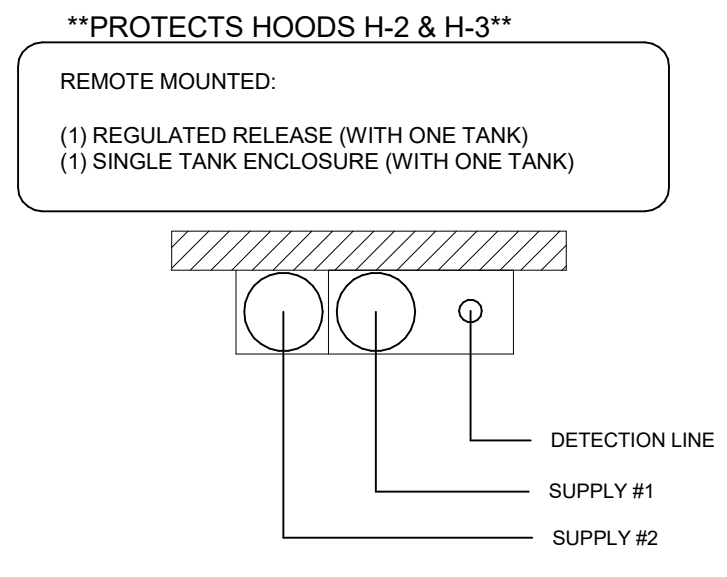
UPPER SWITCH: RED (COMMON), BLACK (NORMALLY OPEN), BROWN (NORMALLY CLOSED).

LOWER SWITCH: BROWN (NORMALLY OPEN), RED (COMMON).

SNAP ACTION SWITCHES: CONTACTS SHOWN WITH AUTOMAN IN THE COOKED POSITION (READY) 21 AMP, 125/250 VAC SWITCHES.

MICRO-SWITCH: 4 SWITCHES INCLUDED.

FIELD WIRING BY ELECTRICAL CONTRACTOR.



FOR REFERENCE ONLY

ANSUL

FUSIBLE LINK RATINGS

ITEM TEMP

OPEN FRYERS 450°

2 BURNER / FLAT TOP 450°

PRESSURE FRYERS 450°

GRILL 450°

EXHAUST COLLARS 450°

ANSUL R-102 FIRE SYSTEM NOTES

THREE TANK SYSTEM MOUNTED ON TOP OF (H-1L)

MAXIMUM FLOW POINTS = 33

ANSUL R-102 FIRE SYSTEM NOTES

TWO TANK SYSTEM REMOTE MOUNTED

MAXIMUM FLOW POINTS = 22

ITEM	PART #	QTY	DESCRIPTION	FLOW PTS (TOTAL)
1W	10023	4	DUCT NOZZLES	4
1N	10022	4	PLENUM NOZZLES	4
230	10025	2	APPLIANCE NOZZLES	4
3N	10021	11	APPLIANCE NOZZLES	33
TOTAL FLOW POINTS				45
ITEM	QTY	DESCRIPTION		
#200	10035	8	SERIES DETECTORS W/ FUSIBLE LINKS	
#201	11973	2	TERMINAL DETECTORS W/ FUSIBLE LINKS	
#202	10046	1	OEM REGULATED RELEASE W/ DOUBLE POLE MICRO SWITCH	
#202	10033	1	REGULATED RELEASE W/ DOUBLE POLE MICRO SWITCH	
#203	10333	5	3 GALLON TANKS	
#204	10044	1	SINGLE TANK ENCLOSURE	
#205	10040	2	REMOTE PULL STATION	
#206	10065	4	DOUBLE TANK NITROGEN CARTRIDGE	
#207	11128	5	3 GALLON ANSULEX CONTAINER	

ANSUL R-102 FIRE SYSTEM

UL LISTED PER STD LATEST STD 300

- FINAL INSTALLATION IS TO BE MADE IN ACCORDANCE WITH ALL APPLICABLE CODES
- ALL ELECTRICAL COMPONENTS FOR EQUIPMENT SHUT DOWN TO BE PROVIDED BY THE ELECTRICIAN. MICRO-SWITCH INSTALLED IN REGULATED RELEASE BY ANSUL INSTALLER
- REMOTE PULL STATION LOCATED PER MECHANICAL DRAWINGS

ISO VIEW
W/B RACK

FIRE EXTINGUISHER

AMEREX

11238 5 LBS ABC MODEL B402 QTY _____

11239 10 LBS ABC MODEL B456 QTY _____

11240 6 LTR CLASS K MODEL C-260 QTY _____

SUPPLIED BY
HALTON

1/2" BLACK IRON SUPPLY LINE REQ'D FROM TANK TO FIRST BRANCH LINE FOR 475 TANKS ONLY!

AMEREX MICROSWITCH DETAIL

UPPER SWITCHES: BLACK, RED, YELLOW, BLACK, RED, YELLOW. VOLTAGE FREE NO CONTACTS FOR INTERCONNECTION TO THE MUA HVAC SYSTEM. POWER TO COOKING EQUIPMENT SHUNT TRIP BREAKER (BY OTHERS). VOLTAGE FREE NO CONTACTS FOR INTERCONNECTION TO THE COOKING EQUIP SHUNT TRIP.

LOWER SWITCHES: BLACK, RED, YELLOW, BLACK, RED, YELLOW. VOLTAGE FREE NO CONTACTS FOR INTERCONNECTION TO THE BUILDING ALARM SYSTEM. VOLTAGE FREE EXTRA CONTACTS.

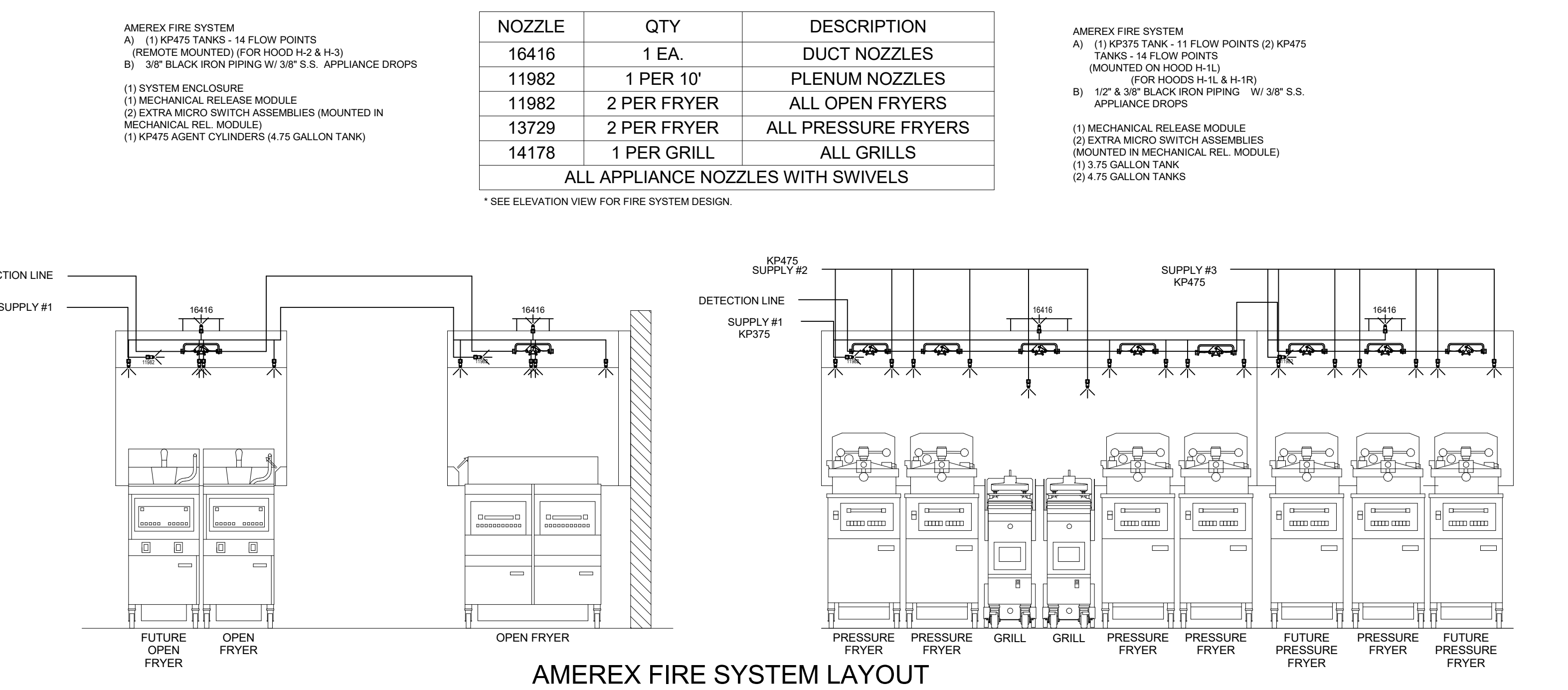
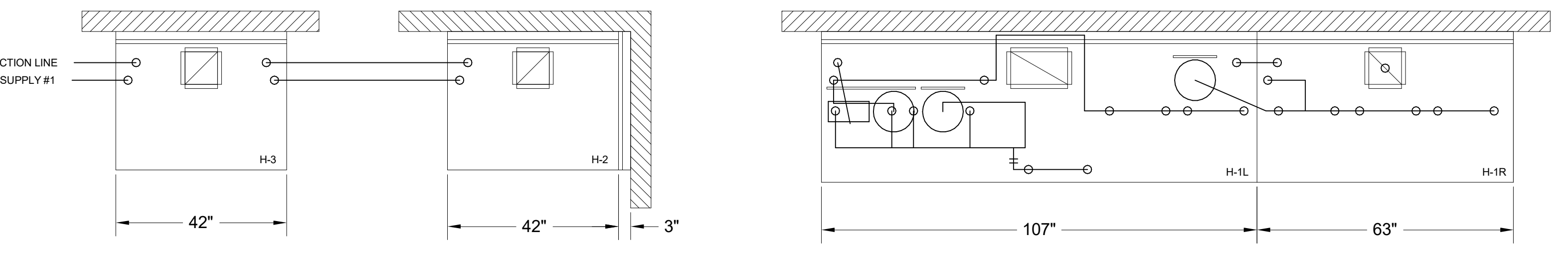
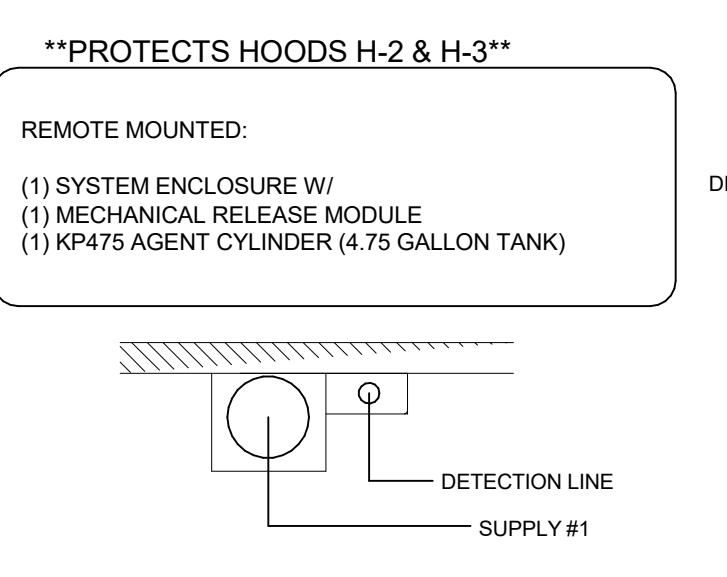
UPPER SWITCH: RED (COMMON), BLACK (NORMALLY OPEN), BROWN (NORMALLY CLOSED).

LOWER SWITCH: BROWN (NORMALLY OPEN), RED (COMMON).

SNAP ACTION SWITCHES: CONTACTS SHOWN WITH AUTOMAN IN THE COOKED POSITION (READY) 21 AMP, 125/250 VAC SWITCHES.

MICRO-SWITCH: 4 SWITCHES INCLUDED.

FIELD WIRING BY ELECTRICAL CONTRACTOR.



AMEREX

FUSIBLE LINK RATINGS

ITEM TEMP

OPEN FRYERS 450°

2 BURNER / FLAT TOP 450°

PRESSURE FRYERS 450°

GRILL 450°

EXHAUST COLLARS 450°

AMEREX FIRE SYSTEM NOTES

(1) KP375 & (2) KP475 TANK SYSTEM MOUNTED ON TOP OF (H-1L)

MAXIMUM FLOW POINTS = 39

AMEREX FIRE SYSTEM NOTES

(1) KP475 TANK SYSTEM REMOTE MOUNTED

MAXIMUM FLOW POINTS = 14

ITEM	QTY	DESCRIPTION	FLOW PTS (TOTAL)	
16416	4	DUCT NOZZLES	4	
11982	4	PLENUM NOZZLES	4	
11982	8	APPLIANCE NOZZLES	8	
14178	2	APPLIANCE NOZZLES	4	
13729	14	APPLIANCE NOZZLES	28	
TOTAL FLOW POINTS			48	
ITEM	QTY	DESCRIPTION		
12508-P001	10	DETECTORS BRACKET ASSEMBLY		
13334	1	KP375 AGENT CYLINDER		
17379	3	KP475 AGENT CYLINDER		
18001	1	MECHANICAL RELEASE MODULE WITH ENCLOSURE WITH DOUBLE POLE MICRO SWITCH		
11977	1	MECHANICAL RELEASE MODULE WITHOUT ENCLOSURE WITH DOUBLE POLE MICRO SWITCH		
21481	2	REMOTE MANUAL PULL STATION		

AMEREX FIRE SYSTEM

UL LISTED PER STD LATEST STD 300

- FINAL INSTALLATION IS TO BE MADE IN ACCORDANCE WITH ALL APPLICABLE CODES
- ALL ELECTRICAL COMPONENTS FOR EQUIPMENT SHUT DOWN TO BE PROVIDED BY THE ELECTRICIAN. MICRO-SWITCH INSTALLED IN REGULATED RELEASE BY AMEREX INSTALLER
- REMOTE PULL STATION LOCATED PER MECHANICAL DRAWINGS

MAIL APPROVED: DRAWINGS TO APPROPRIATE FACTORY: BELOW WEBSITE: WWW.HALTONCOMPANY.COM

PROJECT: **CHICK-FL-A**

LOCATION: **Selden FSU** DATE: **09/24/2024**

DRAWN BY: **NTS** SCALE: **1:1**

DATE: **09/24/2024**

SCALE: **1:1**

SN# **05426**

REVISION: DESCRIPTION BY DATE

1			
2			
3			
4			
5			
6			
7			

UL LISTED PER STD LATEST STD 300

FINAL INSTALLATION IS TO BE MADE IN ACCORDANCE WITH ALL APPLICABLE CODES

ALL ELECTRICAL COMPONENTS FOR EQUIPMENT SHUT DOWN TO BE PROVIDED BY THE ELECTRICIAN. MICRO-SWITCH INSTALLED IN REGULATED RELEASE BY AMEREX INSTALLER

REMOTE PULL STATION LOCATED PER MECHANICAL DRAWINGS

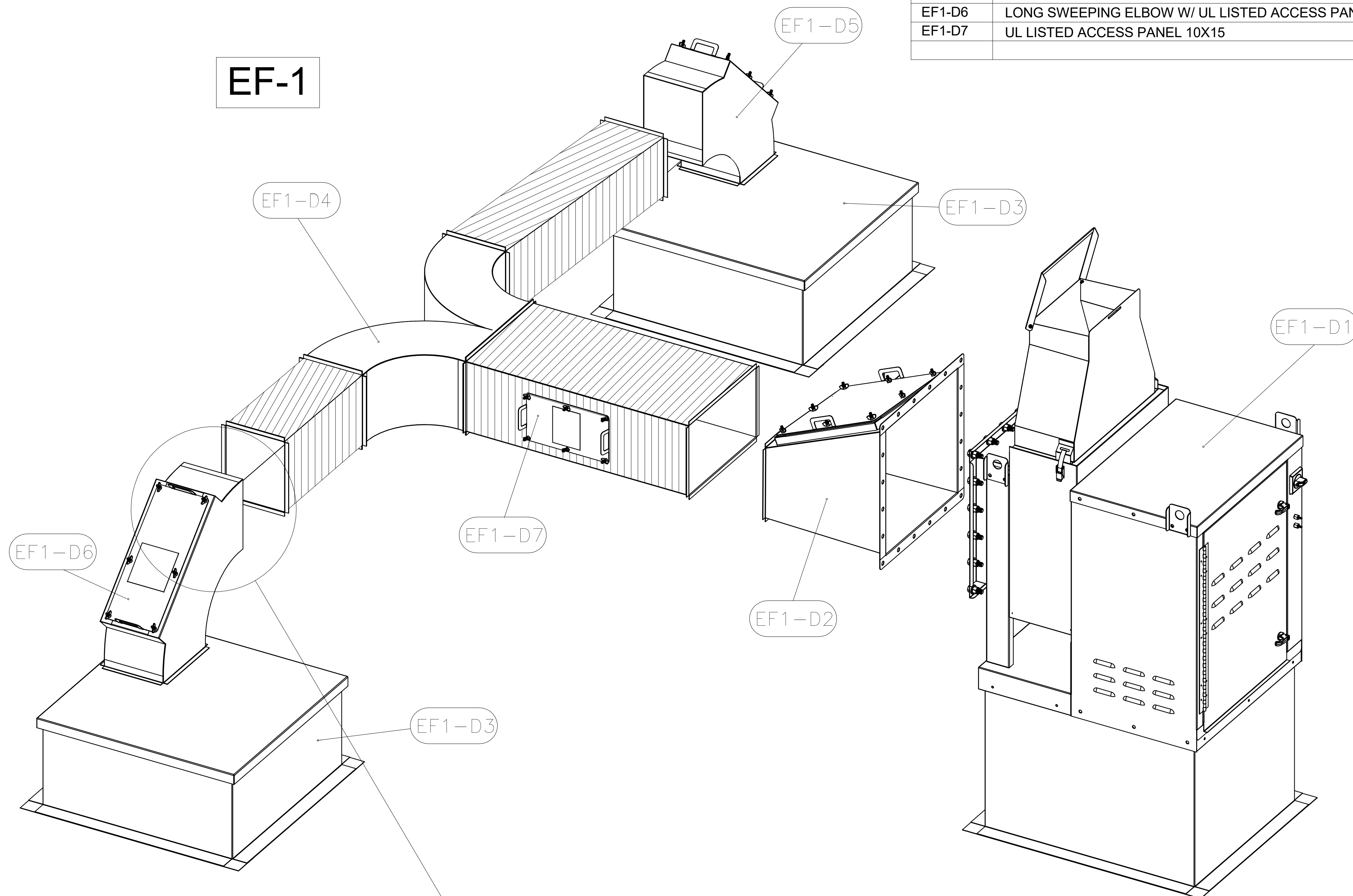
Sheet **MH-1.3**

HALTON
CARE FOR INDOOR AIR

FOR REFERENCE ONLY

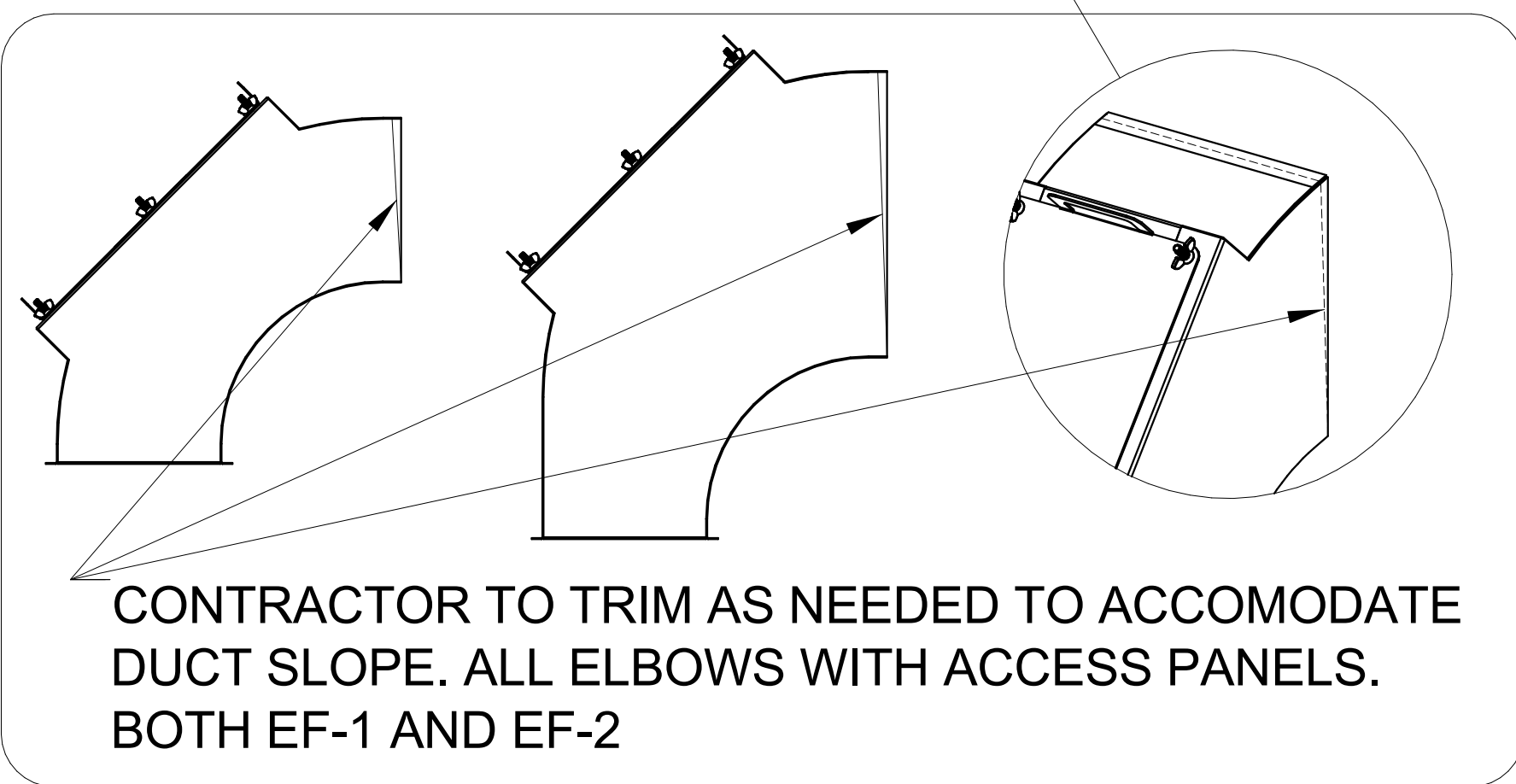
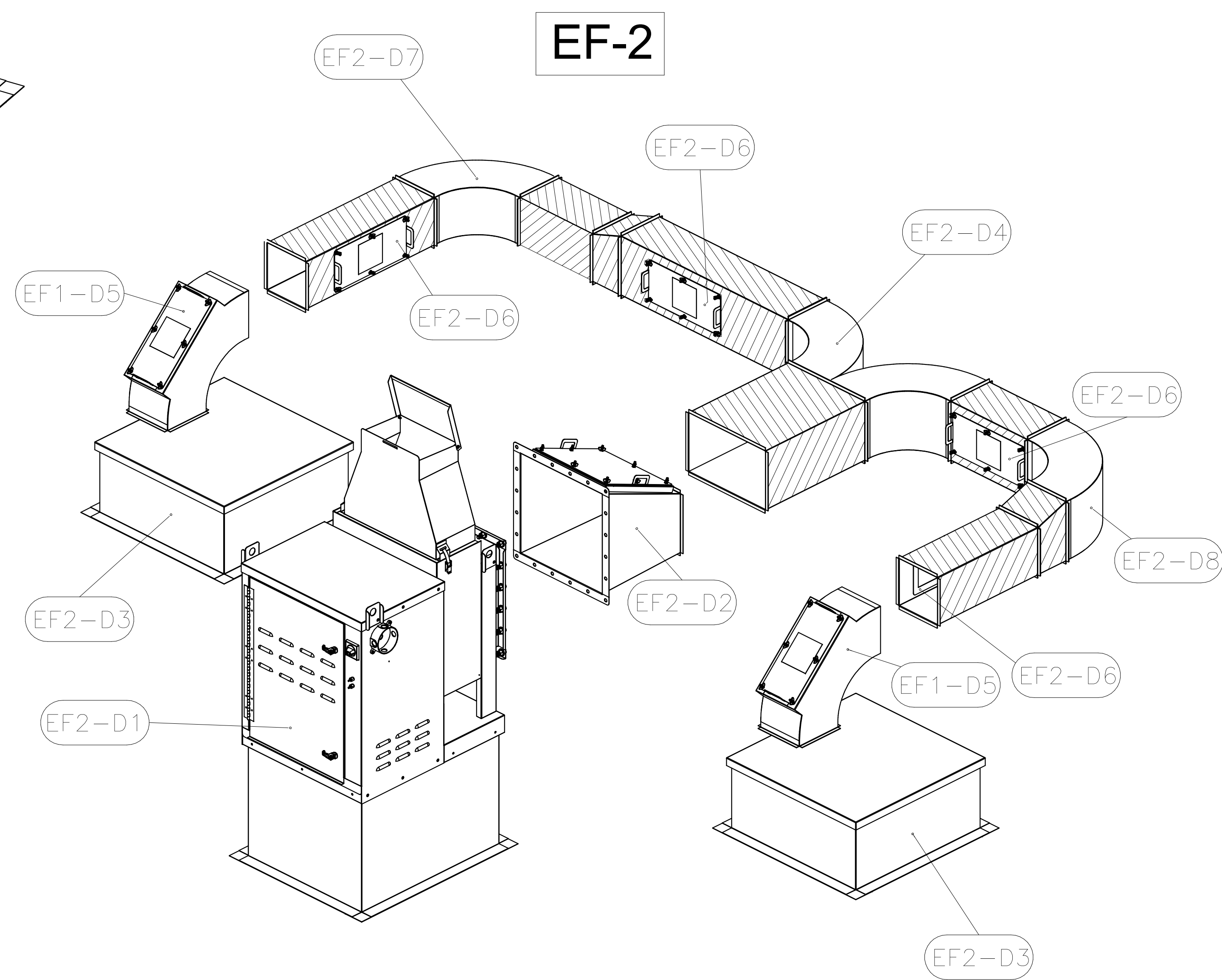
EXHAUST FAN #1 (EF-1)		
ITEM	DESCRIPTION	QTY
EF1-D1	KEFB EXHAUST FAN W/ ROOF CURB	1
EF1-D2	FAN TRANSITION W/ UL LISTED ACCESS PANEL 14X16	1
EF1-D3	DUCT ROOF CURB W/ CAP 26X26X12	2
EF1-D4	LONG SWEEPING WYE 14X8	1
EF1-D5	LONG SWEEPING ELBOW TRANS W/ UL LISTED ACCESS PANEL 8X8 TO 8X14	1
EF1-D6	LONG SWEEPING ELBOW W/ UL LISTED ACCESS PANEL 14X8	1
EF1-D7	UL LISTED ACCESS PANEL 10X15	2

EXHAUST FAN #2 (EF-2)		
ITEM	DESCRIPTION	QTY
EF2-D1	KEFB EXHAUST FAN W/ ROOF CURB	1
EF2-D2	FAN TRANSITION W/ UL LISTED ACCESS PANEL 10X16	1
EF2-D3	DUCT ROOF CURB W/ CAP 26X26X12	2
EF2-D4	LONG SWEEPING WYE 8X10	1
EF2-D5	LONG SWEEPING ELBOW W/ UL LISTED ACCESS PANEL 8X8	2
EF2-D6	UL LISTED ACCESS PANEL 7X15	4
EF2-D7	LONG SWEEPING ELBOW 8X8	1
EF2-D8	LONG SWEEPING ELBOW 8X10	1



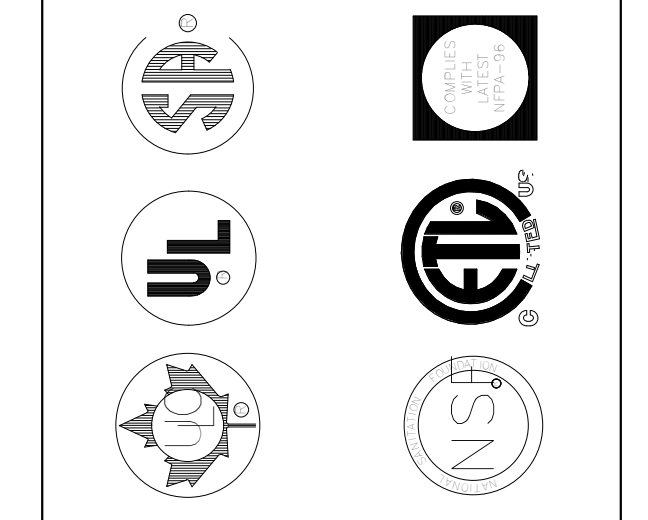
-CONTACT HALTON CUSTOMER SERVICE FOR HALTON PROVIDED ITEMS ONLY DUCT SECTIONS SPECIFIED BY NUMBERS AND SHOWN IN THE ABOVE CHART ARE PROVIDED BY HALTON

-ALL OTHER DUCTS AND FITTINGS BY HVAC CONTRACTOR. DUCT SECTIONS PROVIDED BY HVAC CONTRACTOR ARE SHOWN IN ORDER TO DEPICT TOTAL SYSTEM DESIGN. DUCT SECTIONS SHOWN WITH UL LISTED ACCESS PANELS, THAT ARE NOT HALTON PROVIDED LONG SWEEPING ELBOWS OR FAN TRANSITIONS, ARE PROVIDED BY HVAC CONTRACTOR. THE UL LISTED ACCESS PANELS PROVIDED BY HALTON MUST BE INSTALLED IN DUCT SECTIONS NOT PROVIDED BY HALTON BY HVAC CONTRACTOR.



-ALL DUCTS AND FITTINGS DEPICTED BY HATCH AREAS ARE BY HVAC CONTRACTOR.

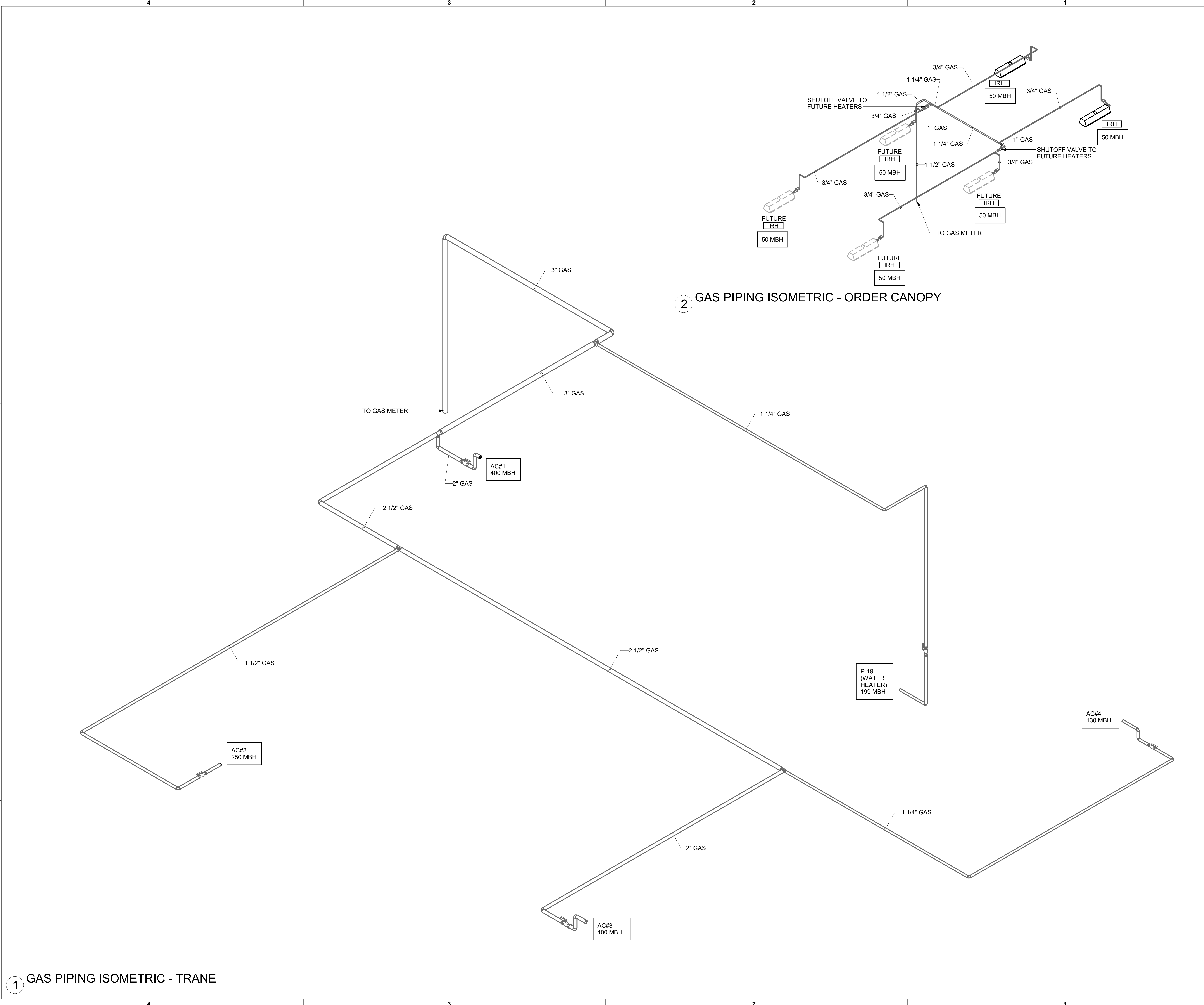
THE DRAWING MUST BE CHECKED, SIGNED AND RETURNED TO THE APPROPRIATE FACTORY. PLEASE VERIFYING THE FOLLOWING:
 1. ALL DIMENSIONAL INFORMATION, MOUNTING POSITIONS AND CLEARANCES.
 2. THE TYPE OF COOKING EQUIPMENT.
 3. THE TYPE OF EXHAUST AIRFLOW.
 4. THE TYPE OF EXHAUST AIRFLOW.
 5. THE TYPE OF EXHAUST AIRFLOW.
 6. THE TYPE OF EXHAUST AIRFLOW.
 7. THE TYPE OF EXHAUST AIRFLOW.
 8. THE TYPE OF EXHAUST AIRFLOW.
 9. THE TYPE OF EXHAUST AIRFLOW.
 10. THE TYPE OF EXHAUST AIRFLOW.
 11. THE TYPE OF EXHAUST AIRFLOW.
 12. THE TYPE OF EXHAUST AIRFLOW.
 13. THE TYPE OF EXHAUST AIRFLOW.
 14. THE TYPE OF EXHAUST AIRFLOW.
 15. THE TYPE OF EXHAUST AIRFLOW.
 16. THE TYPE OF EXHAUST AIRFLOW.
 17. THE TYPE OF EXHAUST AIRFLOW.
 18. THE TYPE OF EXHAUST AIRFLOW.
 19. THE TYPE OF EXHAUST AIRFLOW.
 20. THE TYPE OF EXHAUST AIRFLOW.
 21. THE TYPE OF EXHAUST AIRFLOW.
 22. THE TYPE OF EXHAUST AIRFLOW.
 23. THE TYPE OF EXHAUST AIRFLOW.
 24. THE TYPE OF EXHAUST AIRFLOW.
 25. THE TYPE OF EXHAUST AIRFLOW.
 26. THE TYPE OF EXHAUST AIRFLOW.
 27. THE TYPE OF EXHAUST AIRFLOW.
 28. THE TYPE OF EXHAUST AIRFLOW.
 29. THE TYPE OF EXHAUST AIRFLOW.
 30. THE TYPE OF EXHAUST AIRFLOW.
 31. THE TYPE OF EXHAUST AIRFLOW.
 32. THE TYPE OF EXHAUST AIRFLOW.
 33. THE TYPE OF EXHAUST AIRFLOW.
 34. THE TYPE OF EXHAUST AIRFLOW.
 35. THE TYPE OF EXHAUST AIRFLOW.
 36. THE TYPE OF EXHAUST AIRFLOW.
 37. THE TYPE OF EXHAUST AIRFLOW.
 38. THE TYPE OF EXHAUST AIRFLOW.
 39. THE TYPE OF EXHAUST AIRFLOW.
 40. THE TYPE OF EXHAUST AIRFLOW.
 41. THE TYPE OF EXHAUST AIRFLOW.
 42. THE TYPE OF EXHAUST AIRFLOW.
 43. THE TYPE OF EXHAUST AIRFLOW.
 44. THE TYPE OF EXHAUST AIRFLOW.
 45. THE TYPE OF EXHAUST AIRFLOW.
 46. THE TYPE OF EXHAUST AIRFLOW.
 47. THE TYPE OF EXHAUST AIRFLOW.
 48. THE TYPE OF EXHAUST AIRFLOW.
 49. THE TYPE OF EXHAUST AIRFLOW.
 50. THE TYPE OF EXHAUST AIRFLOW.
 51. THE TYPE OF EXHAUST AIRFLOW.
 52. THE TYPE OF EXHAUST AIRFLOW.
 53. THE TYPE OF EXHAUST AIRFLOW.
 54. THE TYPE OF EXHAUST AIRFLOW.
 55. THE TYPE OF EXHAUST AIRFLOW.
 56. THE TYPE OF EXHAUST AIRFLOW.
 57. THE TYPE OF EXHAUST AIRFLOW.
 58. THE TYPE OF EXHAUST AIRFLOW.
 59. THE TYPE OF EXHAUST AIRFLOW.
 60. THE TYPE OF EXHAUST AIRFLOW.
 61. THE TYPE OF EXHAUST AIRFLOW.
 62. THE TYPE OF EXHAUST AIRFLOW.
 63. THE TYPE OF EXHAUST AIRFLOW.
 64. THE TYPE OF EXHAUST AIRFLOW.
 65. THE TYPE OF EXHAUST AIRFLOW.
 66. THE TYPE OF EXHAUST AIRFLOW.
 67. THE TYPE OF EXHAUST AIRFLOW.
 68. THE TYPE OF EXHAUST AIRFLOW.
 69. THE TYPE OF EXHAUST AIRFLOW.
 70. THE TYPE OF EXHAUST AIRFLOW.
 71. THE TYPE OF EXHAUST AIRFLOW.
 72. THE TYPE OF EXHAUST AIRFLOW.
 73. THE TYPE OF EXHAUST AIRFLOW.
 74. THE TYPE OF EXHAUST AIRFLOW.
 75. THE TYPE OF EXHAUST AIRFLOW.
 76. THE TYPE OF EXHAUST AIRFLOW.
 77. THE TYPE OF EXHAUST AIRFLOW.
 78. THE TYPE OF EXHAUST AIRFLOW.
 79. THE TYPE OF EXHAUST AIRFLOW.
 80. THE TYPE OF EXHAUST AIRFLOW.
 81. THE TYPE OF EXHAUST AIRFLOW.
 82. THE TYPE OF EXHAUST AIRFLOW.
 83. THE TYPE OF EXHAUST AIRFLOW.
 84. THE TYPE OF EXHAUST AIRFLOW.
 85. THE TYPE OF EXHAUST AIRFLOW.
 86. THE TYPE OF EXHAUST AIRFLOW.
 87. THE TYPE OF EXHAUST AIRFLOW.
 88. THE TYPE OF EXHAUST AIRFLOW.
 89. THE TYPE OF EXHAUST AIRFLOW.
 90. THE TYPE OF EXHAUST AIRFLOW.
 91. THE TYPE OF EXHAUST AIRFLOW.
 92. THE TYPE OF EXHAUST AIRFLOW.
 93. THE TYPE OF EXHAUST AIRFLOW.
 94. THE TYPE OF EXHAUST AIRFLOW.
 95. THE TYPE OF EXHAUST AIRFLOW.
 96. THE TYPE OF EXHAUST AIRFLOW.
 97. THE TYPE OF EXHAUST AIRFLOW.
 98. THE TYPE OF EXHAUST AIRFLOW.
 99. THE TYPE OF EXHAUST AIRFLOW.
 100. THE TYPE OF EXHAUST AIRFLOW.



MAIL APPROVED DRAWINGS TO APPROPRIATE FACTORY. BELOW WEBSITE: WWW.HALTONCOMPANY.COM	HALTON CO. (CANADA) 1021 BREVIK PLACE MISSISSAUGA, ON L4W 3R7 1-905-624-0301	HALTON CO. (USA) 101 INDUSTRIAL DRIVE SCOTTSVILLE, KY 42764 1-270-237-5600
REV. 1	REVISION DESCRIPTION	DATE
2		
3		
4		
5		
6		
7		

PROJECT: **CHICK-FL-A**
 LOCATION: **Selden FSU**
 DRAWN BY: **Selden** DATE: **09/24/2024**
 SCALE: **NTS**
 Halton Dwg:
 SN#: **05426**
 Sheet **MH-1.5**

Autodesk Docs://NY_05426_Selden_2020.8_FSR/05426_Selden_K&A_MEC.rvt
 9/23/2024 10:52:12 AM
 30-SE-05426-M-901-GAS PIPING ISOMETRICS - TRANE

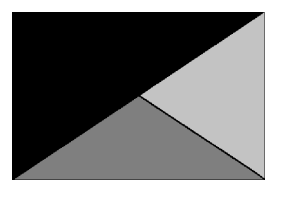


1 GAS PIPING ISOMETRIC - TRANE

2 GAS PIPING ISOMETRIC - ORDER CANOPY



Chick-fil-A
 5200 Buffington Road
 Atlanta, Georgia
 30349-2998



Kurzynske & Associates
 2705 Lebanon Pike - Suite One
 Nashville, Tennessee 37214
 Telephone: (615) 255-5203



09/24/24

CHICK-FIL-A
Selden FSU
 949 Middle Country Road
 Selden, NY 11784

FSR#05426
 BUILDING TYPE / SIZE: P14 SE BN
 RELEASE: 23.09
 PRINTED FOR:
 ISSUED FOR CONSTRUCTION

REVISION SCHEDULE		
NO.	DATE	DESCRIPTION

ISSUED FOR CONSTRUCTION

CONSULTANT PROJECT # 24015.CD.S
 DATE 09/24/2024
 DRAWN BY BLM

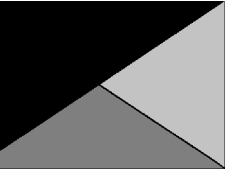
Information contained on this drawing and in all digital files produced for above named project may not be reproduced in any manner without express written or verbal consent from authorized project representatives.

SHEET GAS PIPING ISOMETRICS - TRANE

SHEET NUMBER **M-901**



Chick-fil-A
5200 Buffington Road
Atlanta, Georgia
30349-2998



Kurzynske & Associates
2705 Lebanon Pike - Suite One
Nashville, Tennessee 37214
Telephone: (615) 255-5203



09/24/24

CHICK-FIL-A
Selden FSU

949 Middle Country Road
Selden, NY 11784

FSR#05426

BUILDING TYPE / SIZE: P14 SE BN
RELEASE: 23.09
PRINTED FOR:
ISSUED FOR CONSTRUCTION

REVISION SCHEDULE
NO. DATE DESCRIPTION

CONSULTANT PROJECT # 24015.CD.S
DATE 09/24/2024
DRAWN BY BLM

Information contained on this drawing and all digital files produced for above named project may not be reproduced in any manner without express written or verbal consent from authorized project representatives.

SHEET
EXHAUST HOOD ELEVATIONS

SHEET NUMBER
M-201

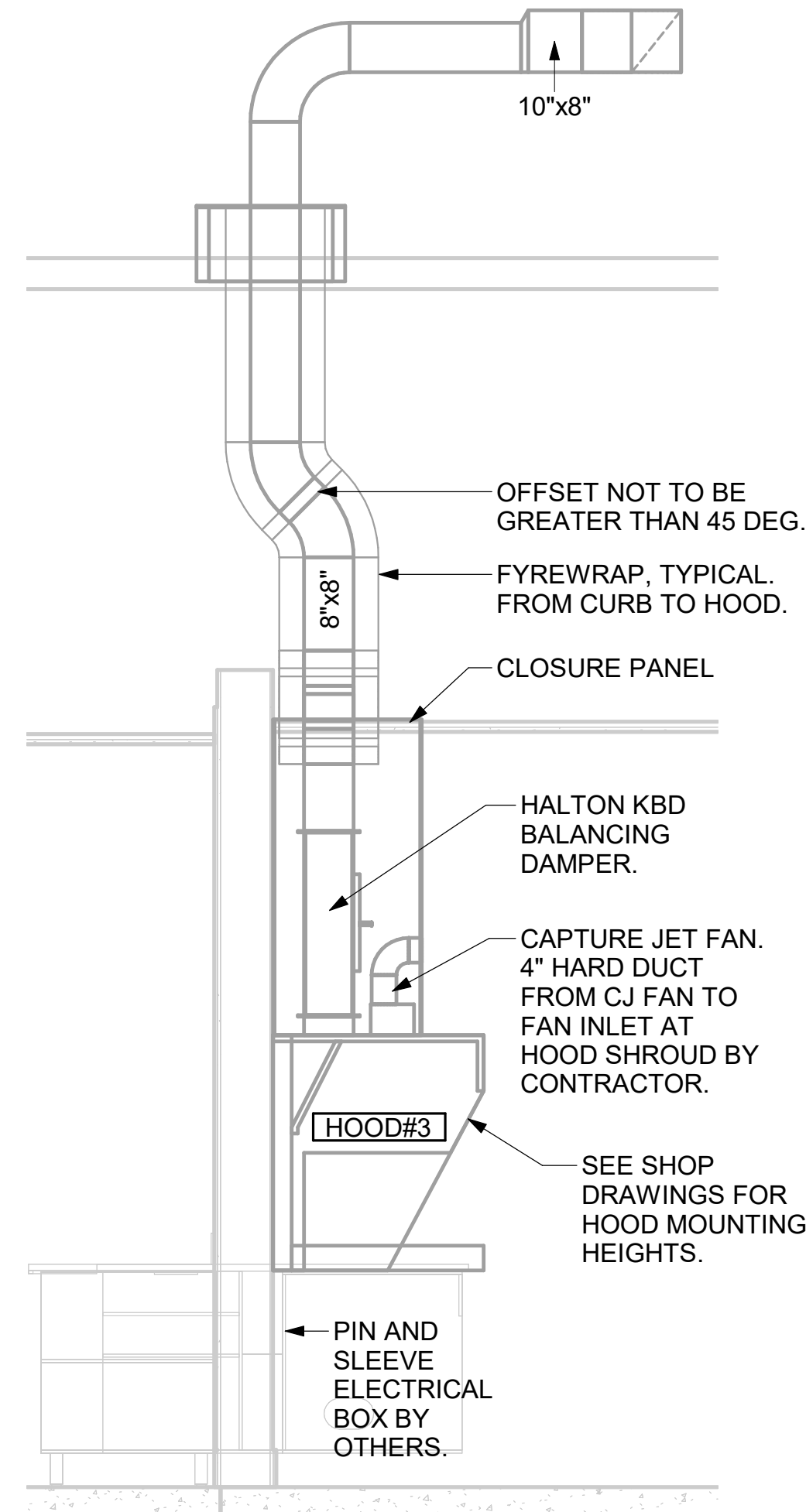
GREASE EXHAUST DUCT CLEARANCE NOTE:

CLEARANCES ABOVE CEILING ARE TIGHT. MECHANICAL CONTRACTOR TO FIELD VERIFY EXACT ROUTING AND CLEARANCES PRIOR TO FABRICATING GREASE EXHAUST DUCT.

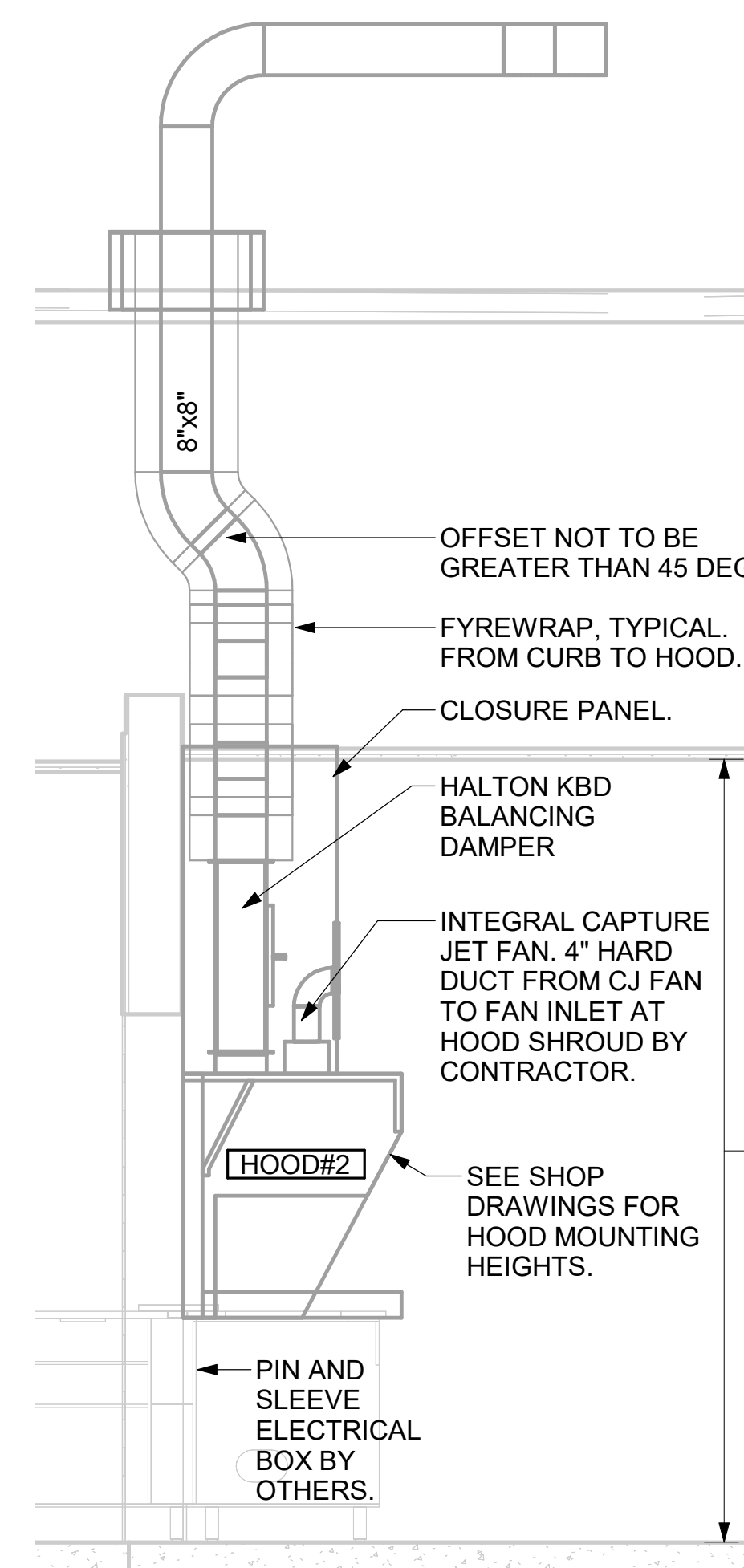
CLEANOUT DOOR NOTE:

DUCT WRAP SHALL BE APPLIED TO THE CLEANOUT DOOR PER THE WRAP MFR'S INSTALLATION INSTRUCTIONS. NO EXCEPTIONS. ALSO, THE CLEANOUT DOOR MUST BE REMOVABLE WITHOUT TOOLS AND MUST BE CLEARLY AND PERMANENTLY LABELED.

CRITICAL: SET RIGHT SIDE OF HOOD#3 FLUSH WITH FINISHED EDGE OF PASS THRU OPENING.

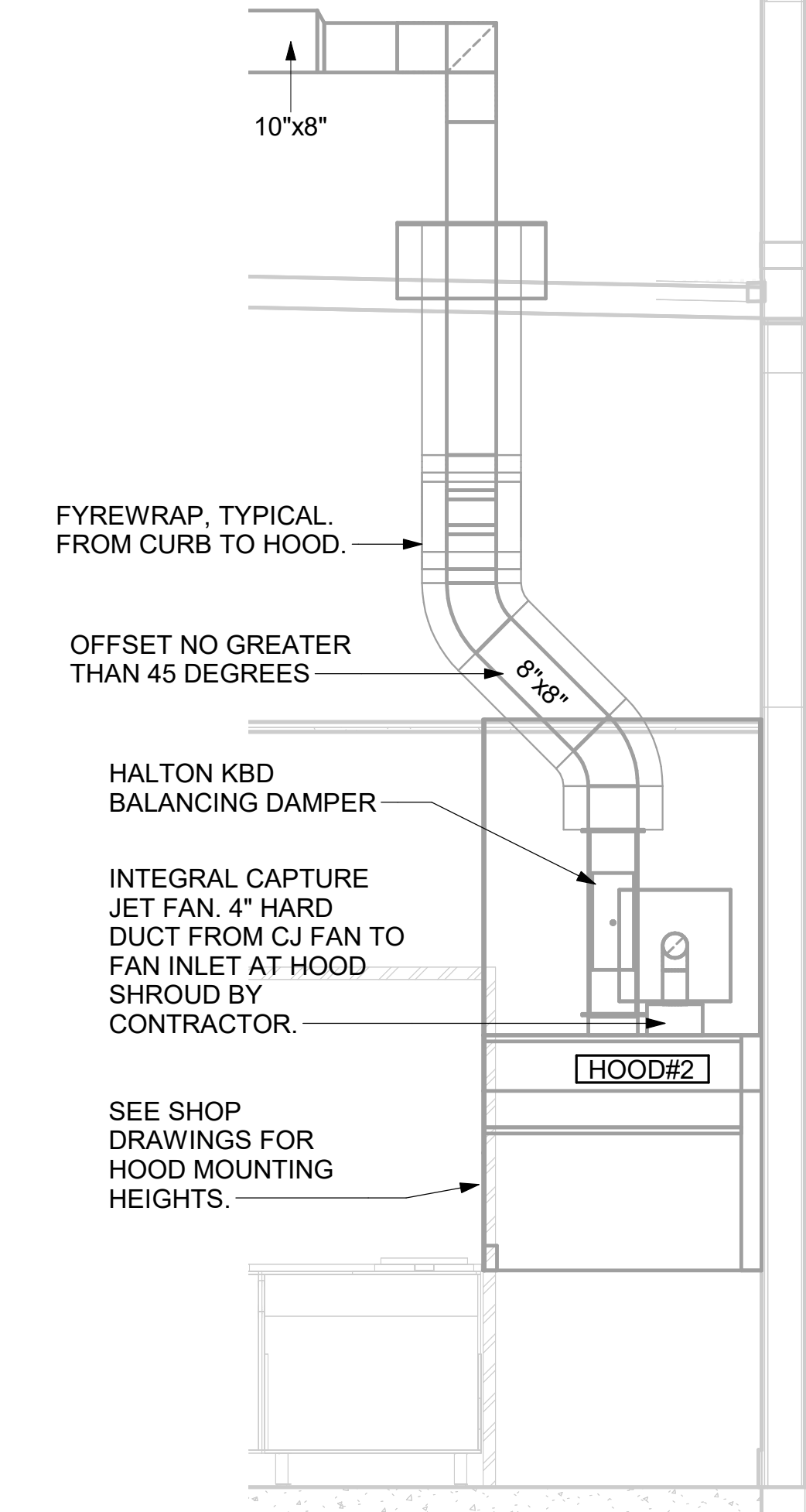


6 HOOD ELEVATION - HOOD#3
NOT TO SCALE

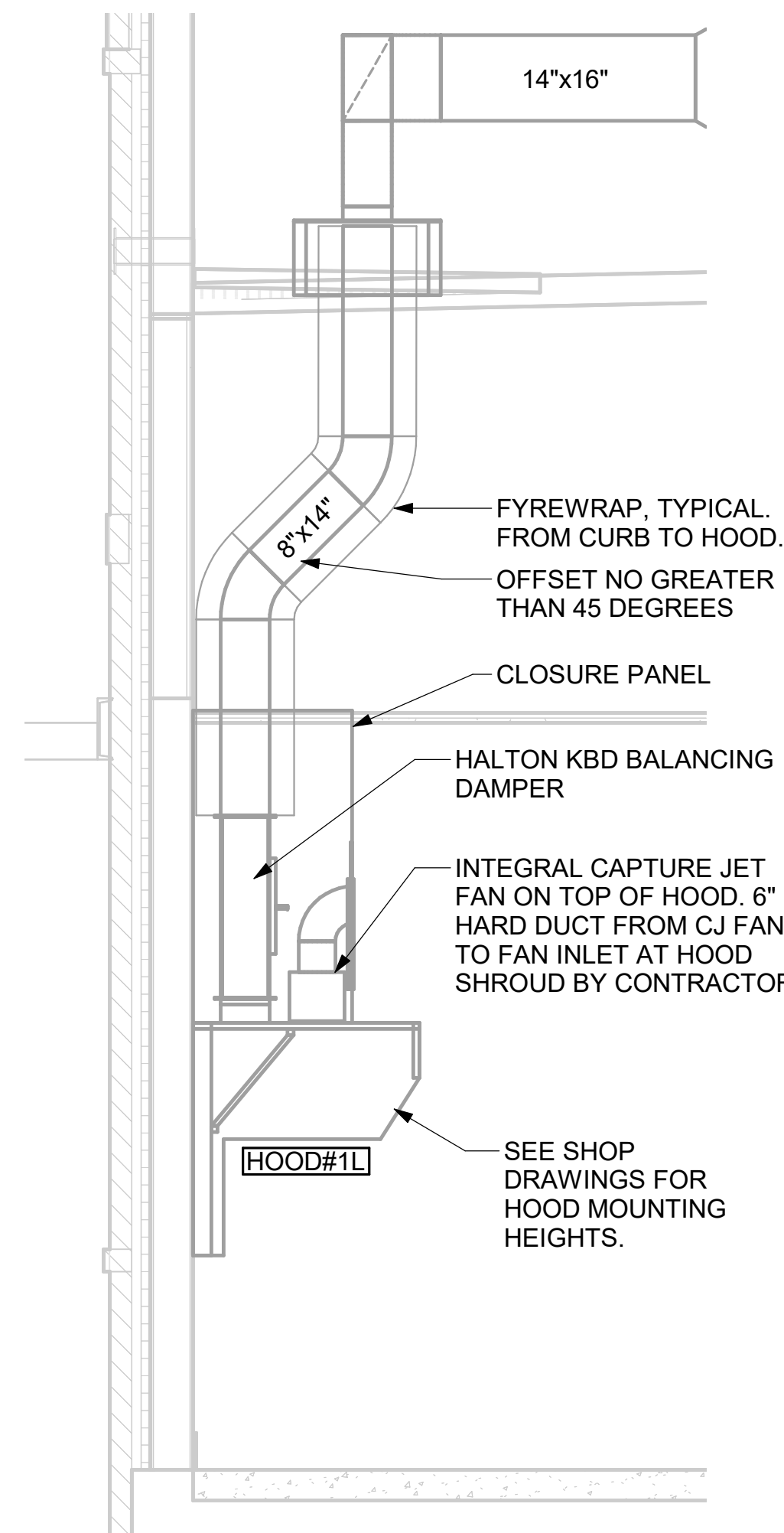


5 HOOD ELEVATION - HOOD#2 - SIDE
NOT TO SCALE

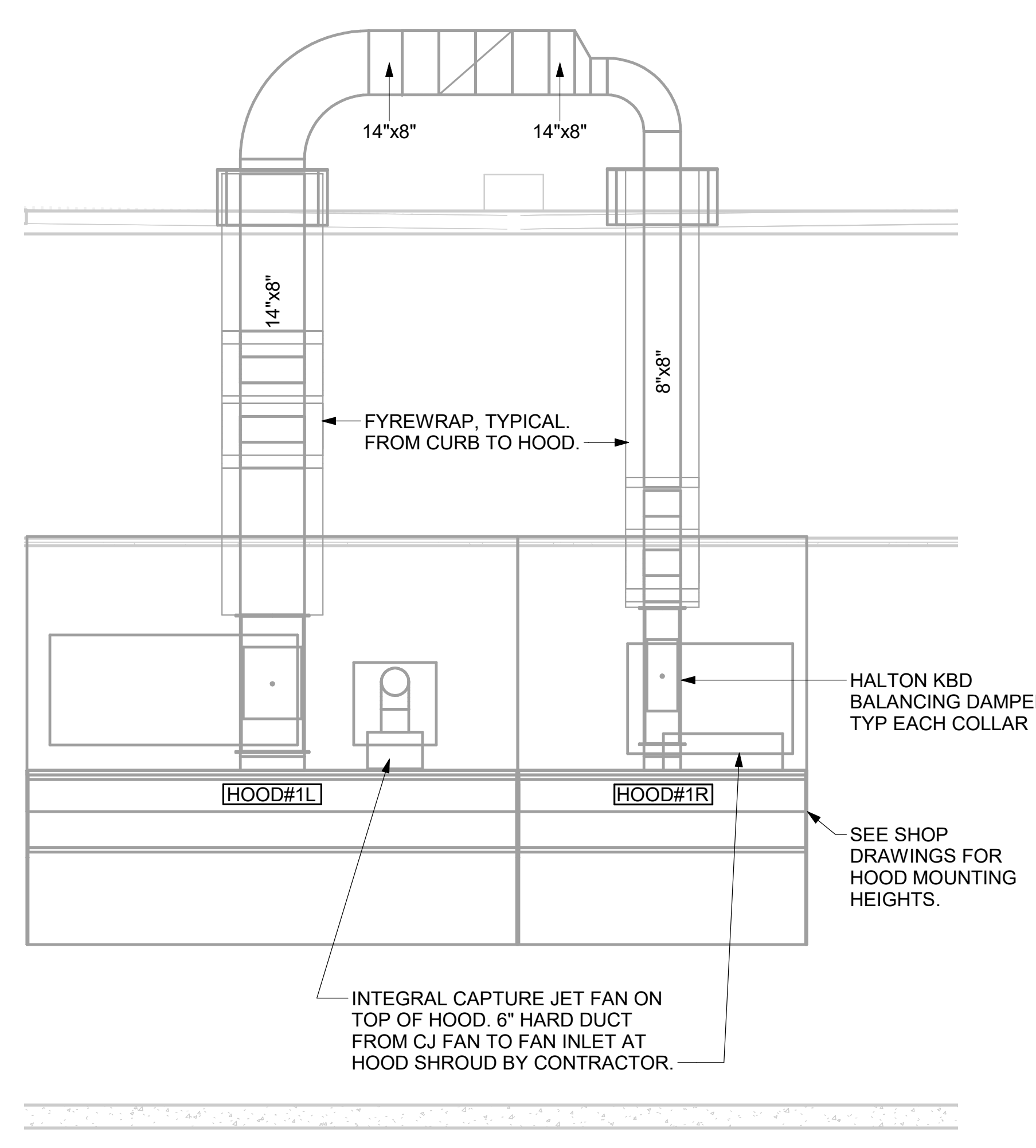
CRITICAL: SET LEFT SIDE OF HOOD FLUSH WITH FINISHED EDGE OF PASS THRU OPENING.



4 HOOD ELEVATION - HOOD#2 - FRONT
NOT TO SCALE



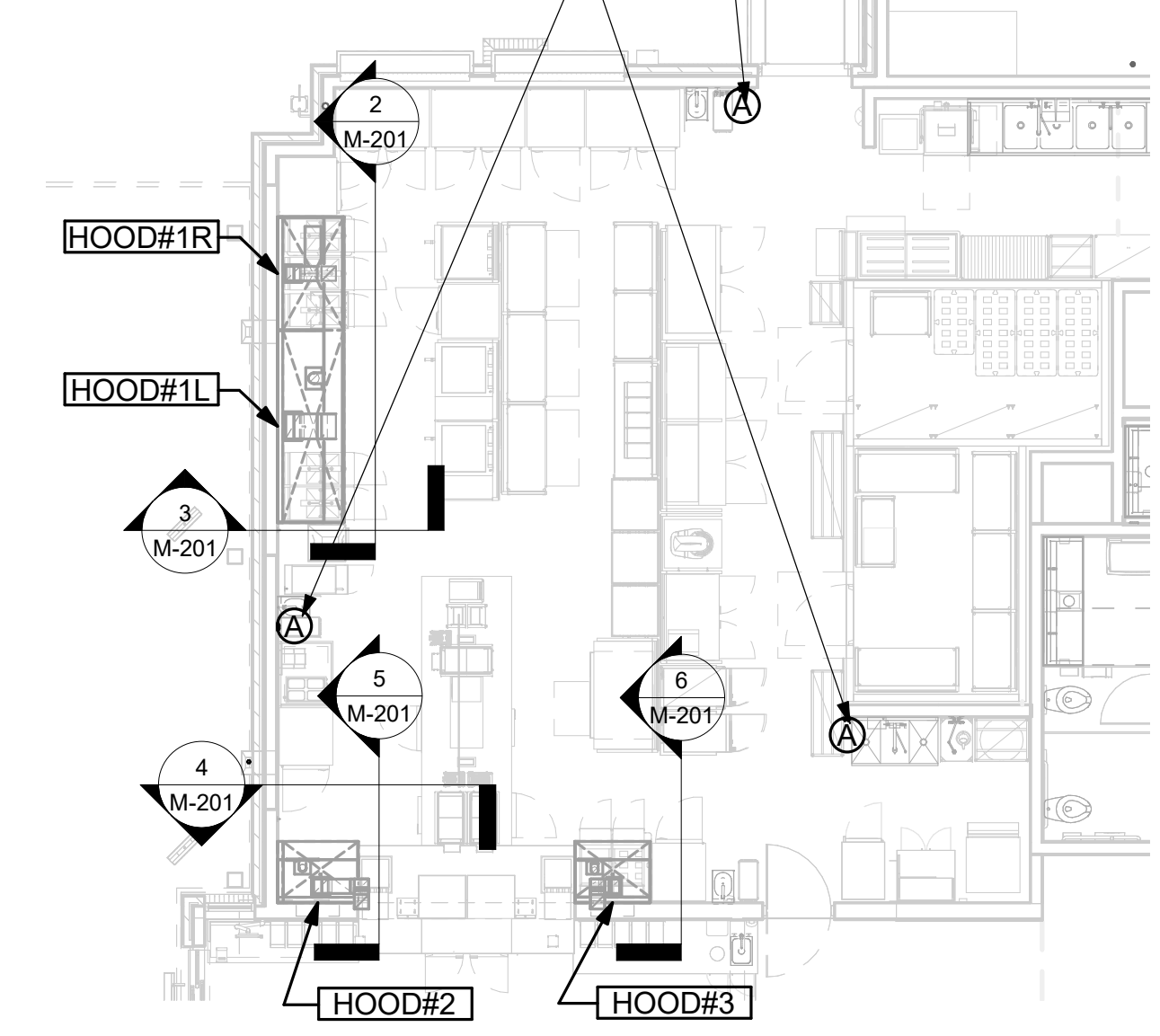
3 HOOD ELEVATION - HOOD#1 - SIDE
NOT TO SCALE



2 HOOD ELEVATION - HOOD#1 - FRONT
NOT TO SCALE

PULL STATIONS SERVING BOTH HOOD#2 AND HOOD#3 ON WALL WHERE SHOWN. LOCATE PULL STATION BETWEEN 42" AND 48" AFF. COORDINATE EXACT LOCATION WITH KITCHEN EQUIPMENT ELEVATIONS. J-BOX AND CONDUIT ARE BY ELECTRICAL. PROVIDE RED BAKELITE LABEL WITH 1/4" HIGH WHITE LETTERS INDICATING THE HOODS SERVED, I.E.: "MAIN COOKLINE HOOD".

PULL STATION SERVING HOOD#1 ADJACENT TO HANDSINK. LOCATE PULL STATION BETWEEN 42" AND 48" AFF. COORDINATE EXACT LOCATION WITH KITCHEN EQUIPMENT ELEVATIONS. J-BOX AND CONDUIT ARE BY ELECTRICAL. PROVIDE RED BAKELITE LABEL WITH 1/4" HIGH WHITE LETTERS INDICATING THE HOODS SERVED, I.E.: "PASS THRU HOODS".



1 HOOD LAYOUT
NOT TO SCALE

Autodesk Docs://NY_05426_Selden_2020_8_FSR/05426_Selden_K&A_MEC.rvt
9/23/2024 10:51:39 AM
30-SE-05426-M-201-EXHAUST HOOD ELEVATIONS

ISSUED FOR CONSTRUCTION