

KITCHEN SOCIAL  
9340 MONTGOMERY ROAD  
MONTGOMERY, OH 45242

REVISIONS:  
2023.02.08-FIXED FSE-3.2 PAGE AND ADDED BAR ELEVATIONS & ACCURATE HOOD SYMBOLS SHOWN.  
2023.02.23-ADDED WALK-IN DWGS  
2023.03.03-NEW BASE-DISH AREA REVISED BAR PER NEW BASE.  
2023.03.06-REVISIONS PER ABBOT MARK UP  
2023.03.07-CLEAN UP OF SET PER REVIEW. REMOVED BEER COOLER WALK-IN DWG (FSE-8.2).  
2023.03.10-CHG'D D4, R2,R3, D4 NOW A GAS FIRED UNIT. NEW HOOD DRAWINGS (REV.2-DISH HOOD EXHAUST COLLAR CHANGE).  
2023.03.24- REV 1: BUILDING COMMENTS

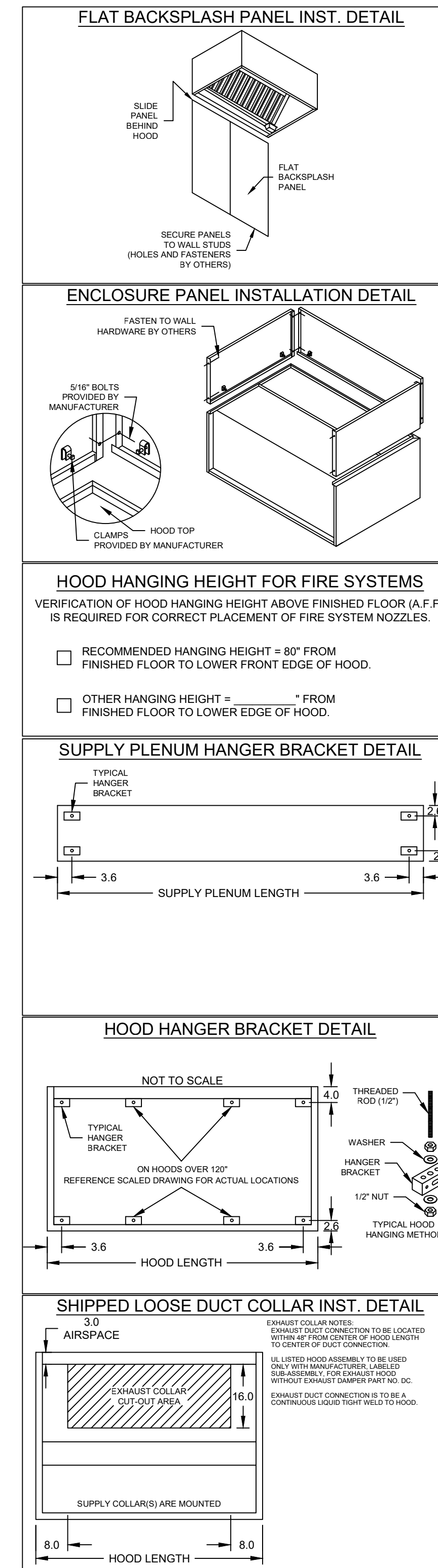
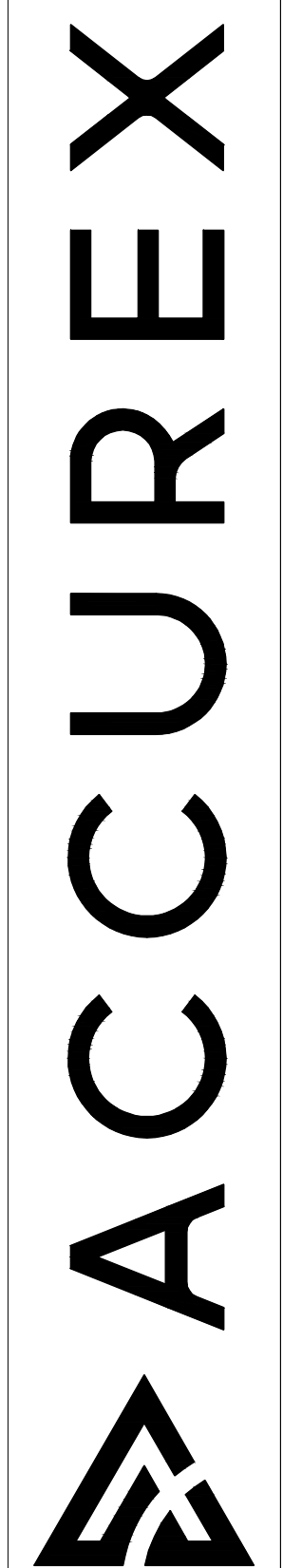
FOR REFERENCE ONLY

CONTACT: FRANK THOMPSON  
SCALE: 0 6" 1' 2'  
PROJECT: KITCHEN SOCIAL MONTGOMERY  
DRAWN BY: S. KNAPP  
DATE: 2023-03-24

HOOD 1

FSE-7.1

PROJECT: 3/9/2023  
MARK: KITCHEN SOCIAL - MONTGOMERY, OH R2  
KH-1 COOKLINE  
ACCUREX WESTERN PA WV  
MIKE PARSLEY  
MIKE.PARSLEY@ACCUREX.COM  
(614)378-4350

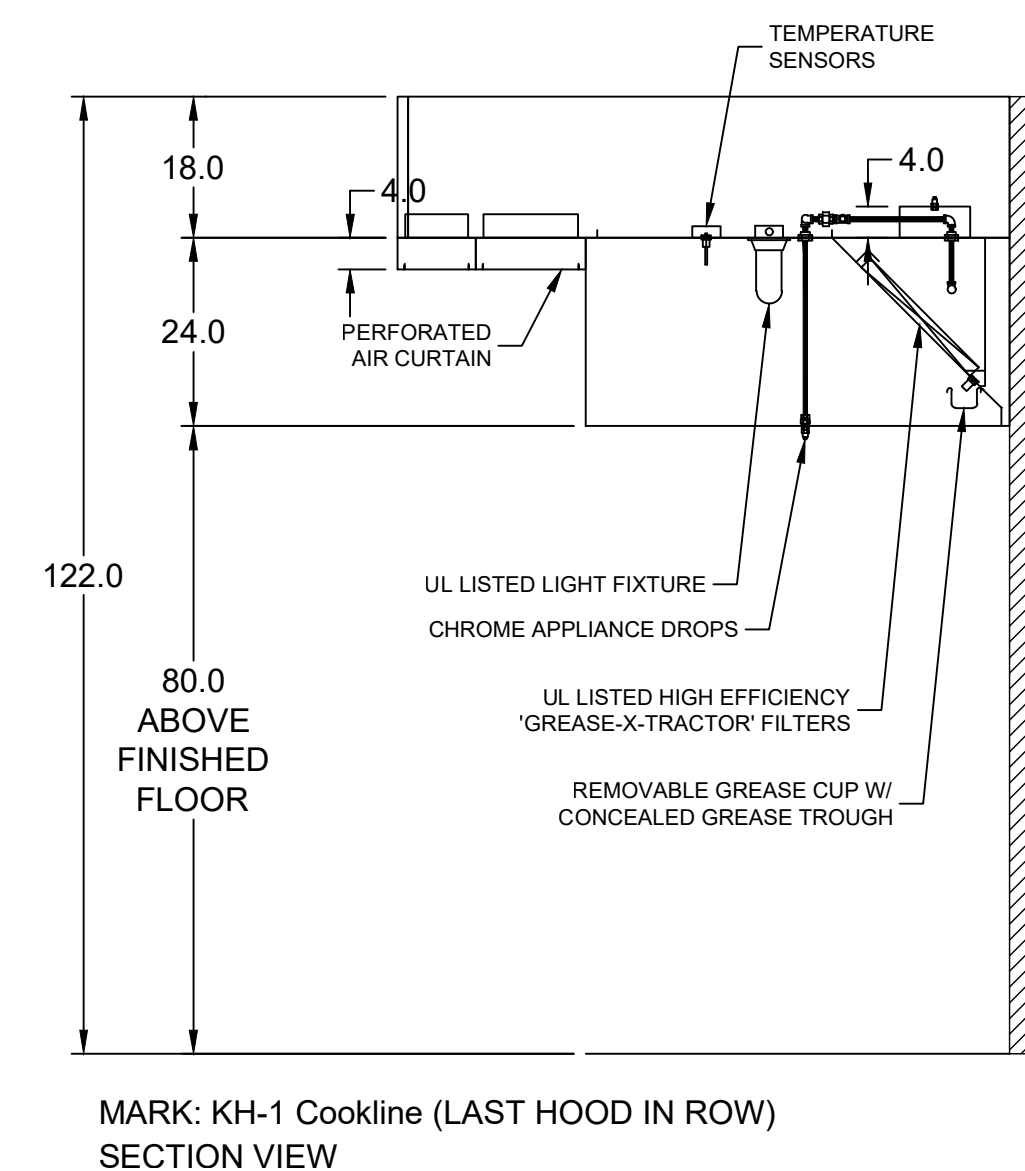
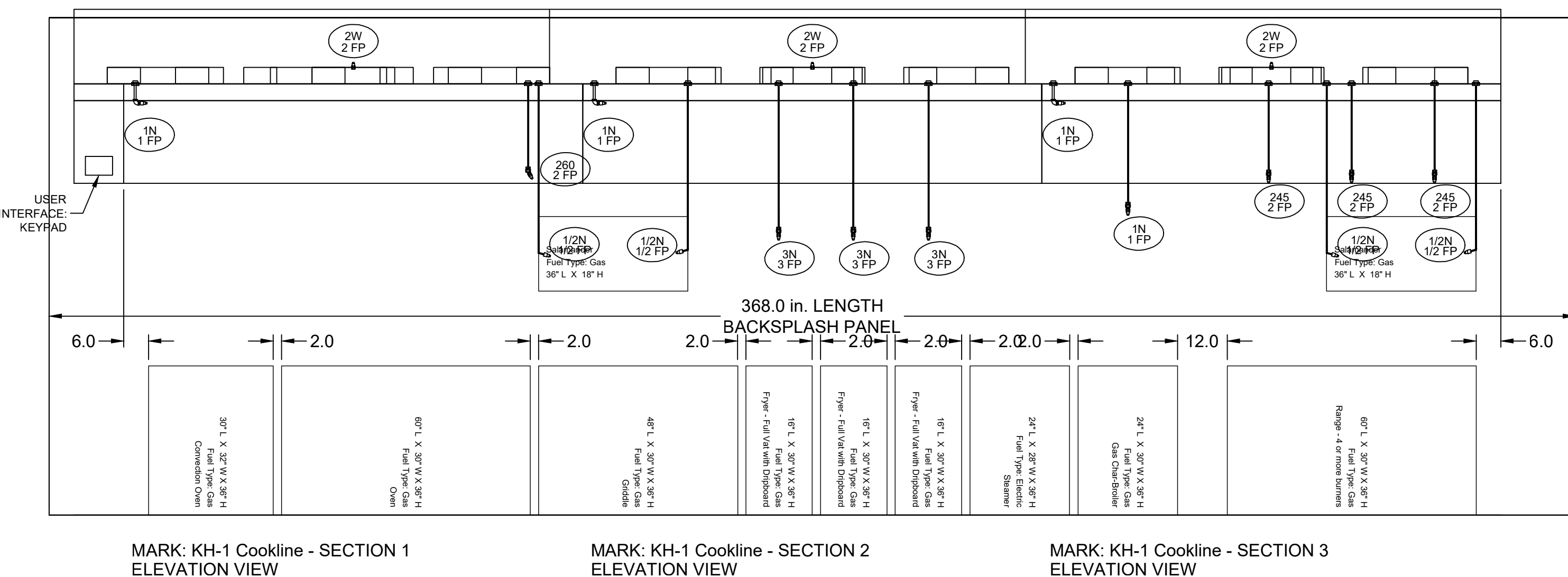
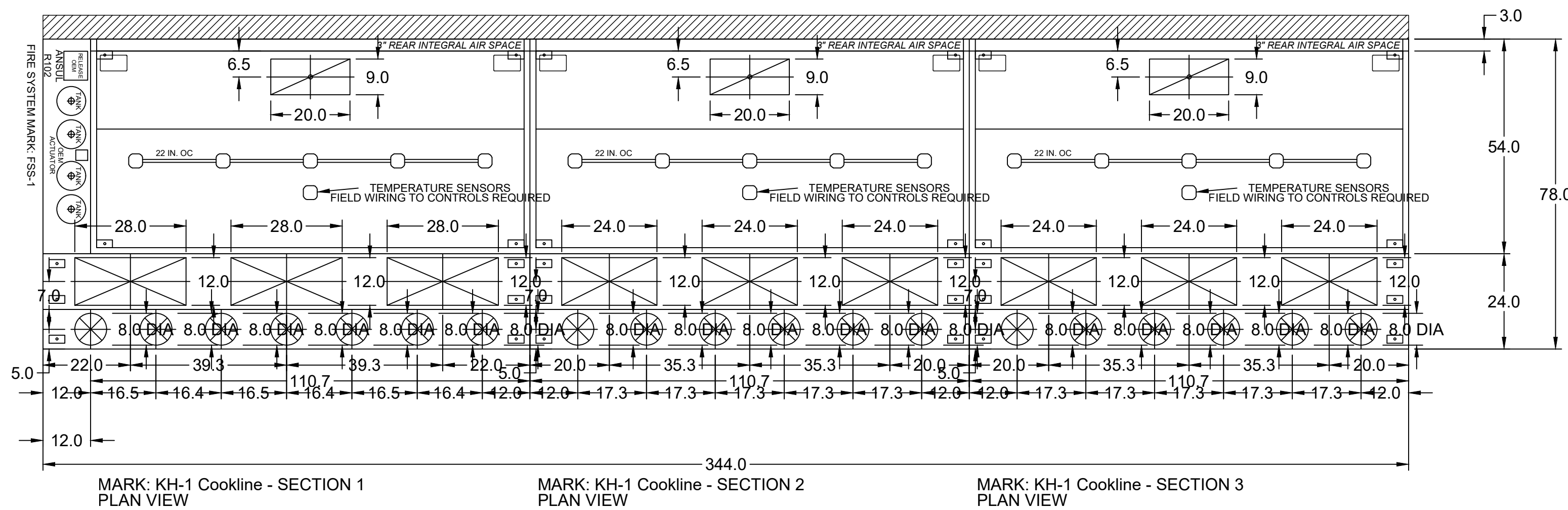


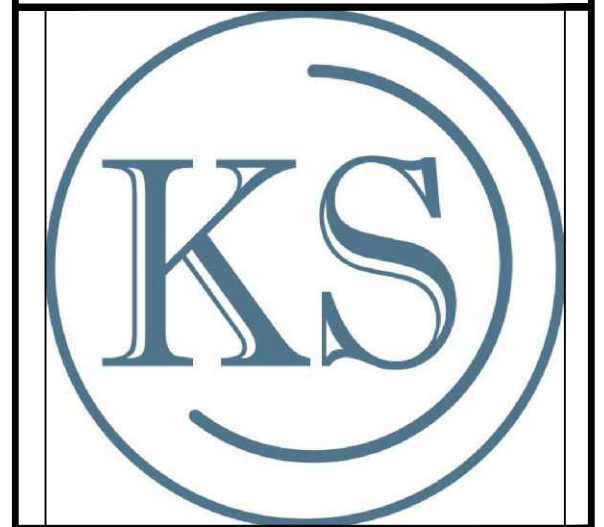
**HOOD OPTIONS**  
UL 710 LISTED W/ OUT EXHAUST FIRE DAMPER - UL #R25625  
BACK INTEGRAL AIR SPACE - 3 IN WIDE  
18 IN HIGH CEILING ENCLOSURES - FRONT LEFT RIGHT - FIELD INSTALLED  
CONTINUOUS CAPTURE  
SHIPPED LOOSE EXHAUST COLLAR(S)  
BACKSPASH 120.00 IN HIGH 368.00 IN LONG  
PERFORMANCE ENHANCING LIP (PEL) TECHNOLOGY  
STANDING SEAM CONSTRUCTION FOR SUPERIOR STRENGTH

HOOD NO.	MARK	MODEL	HOOD DIMENSIONS (IN.)			HOOD CONSTR.	COOKING LOAD / DUTY RATING	TOTAL CFM	EXHAUST COLLAR(S)					SUPPLY		TOTAL WEIGHT LBS.	SECTION LOCATION
			LENGTH	WIDTH	HEIGHT				WIDTH	LENGTH	DIA.	CFM	S.P.	MUA CFM	AC CFM		
1	KH-1 COOKLINE	XXEW-110.67-S	110.67	54	24	430 SS WHERE EXPOSED	HEAVY	2075	9	20		2075	0.608	1776	650	301 05	LEFT
2	KH-1 COOKLINE	XXEW-110.67-S	110.67	54	24	430 SS WHERE EXPOSED	HEAVY	2075	9	20		2075	0.608	1602	550	301 05	MIDDLE
3	KH-1 COOKLINE	XXEW-110.67-S	110.67	54	24	430 SS WHERE EXPOSED	HEAVY	2075	9	20		2075	0.608	1602	550	301 05	RIGHT

HOOD NO.	MARK	LIGHTING DETAILS			FOOT CANDLES	GREASE FILTRATION DETAILS			LOCATION	UTILITY CABINET(S)			CONTROLS	
		FIXTURE TYPE	BULB / LAMP INFO	QTY		TYPE / MODEL	MATERIAL	QTY		SIZE (IN.)	TYPE	SIZE		MODEL
1	KH-1 COOKLINE	INCANDESCENT (GLOBE)	100W A19 (BULBS NOT INCL.)	5	48	X-TRACTOR	STAINLESS STEEL	3	16	20	LEFT	ANSUL R102	12	
2	KH-1 COOKLINE	INCANDESCENT (GLOBE)	100W A19 (BULBS NOT INCL.)	5	48	X-TRACTOR	STAINLESS STEEL	3	16	20				
3	KH-1 COOKLINE	INCANDESCENT (GLOBE)	100W A19 (BULBS NOT INCL.)	5	48	X-TRACTOR	STAINLESS STEEL	3	16	20				

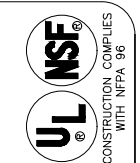
HOOD NO.	MARK	POS.	TYPE	SIZE (IN.)			INSULATED	DAMPER(S)	LED LIGHT(S) SUPPLIED	QTY	TOTAL CFM	COLLARS							
				L	W	H						TYPE	MOUNTING	QTY	W	L	DIA.	CFM	S.P.
1	KH-1 COOKLINE	FRONTSPLIT ASP	FRONTSPLIT ASP	122.67	14	4	NO	YES	NO		1776	MUA	FACTORY	3	12	28	592	0.01	254
				122.67	10	4	YES				650	AC	FACTORY	7			93	0.01	266
2	KH-1 COOKLINE	FRONTSPLIT ASP	FRONTSPLIT ASP	110.67	14	4	NO	YES	NO		1602	MUA	FACTORY	3	12	24	534	0.01	267
				110.67	10	4	YES				550	AC	FACTORY	6			92	0.01	264
3	KH-1 COOKLINE	FRONTSPLIT ASP	FRONTSPLIT ASP	110.67	14	4	NO	YES	NO		1602	MUA	FACTORY	3	12	24	534	0.01	267
				110.67	10	4	YES				550	AC	FACTORY	6			92	0.01	264



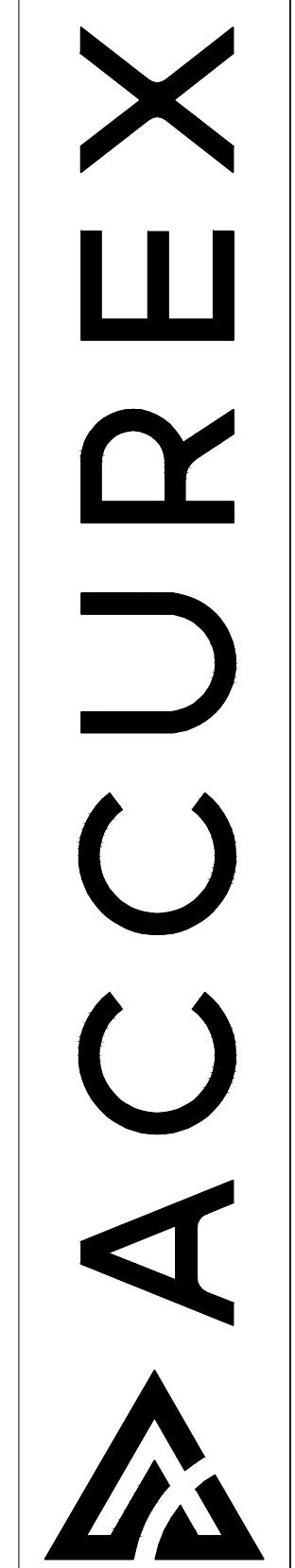


**KITCHEN SOCIAL**  
9340 MONTGOMERY ROAD  
MONTGOMERY, OH 45242

PROJECT: 3/9/2023 Kitchen Social - Montgomery, OH R2  
MARK: KH-1 Cookline - SPLASH PANEL LAYOUT



ACCUREX WESTERN PA WV  
Mike Parsley  
mike.parsley@accurex.com  
(614)378-4350



- REVISIONS:
- 2023.02.08-FIXED FSE-3.2 PAGE AND ADDED BAR ELEVATIONS & ACCURATE HOOD SYMBOLS SHOWN.
  - 2023.02.23-ADDED WALK-IN DWGS
  - 2023.03.03-NEW BASE-DISH AREA REVISED BAR PER NEW BASE.
  - 2023.03.06-REVISIONS PER ABBOT MARK UP
  - 2023.03.07-CLEAN UP OF SET PER REVIEW. REMOVED BEER COOLER WALK-IN DWG (FSE-8.2).
  - 2023.03.10-CHG'D D4, R2,R3. D4 NOW A GAS FIRED UNIT. NEW HOOD DRAWINGS (REV.2-DISH HOOD EXHAUST COLLAR CHANGE).
  - 2023.03.24- REV 1: BUILDING COMMENTS

FOR REFERENCE ONLY

CONTACT: FRANK THOMPSON

SCALE: 3/4"=1'0"  
0 6" 1' 2'

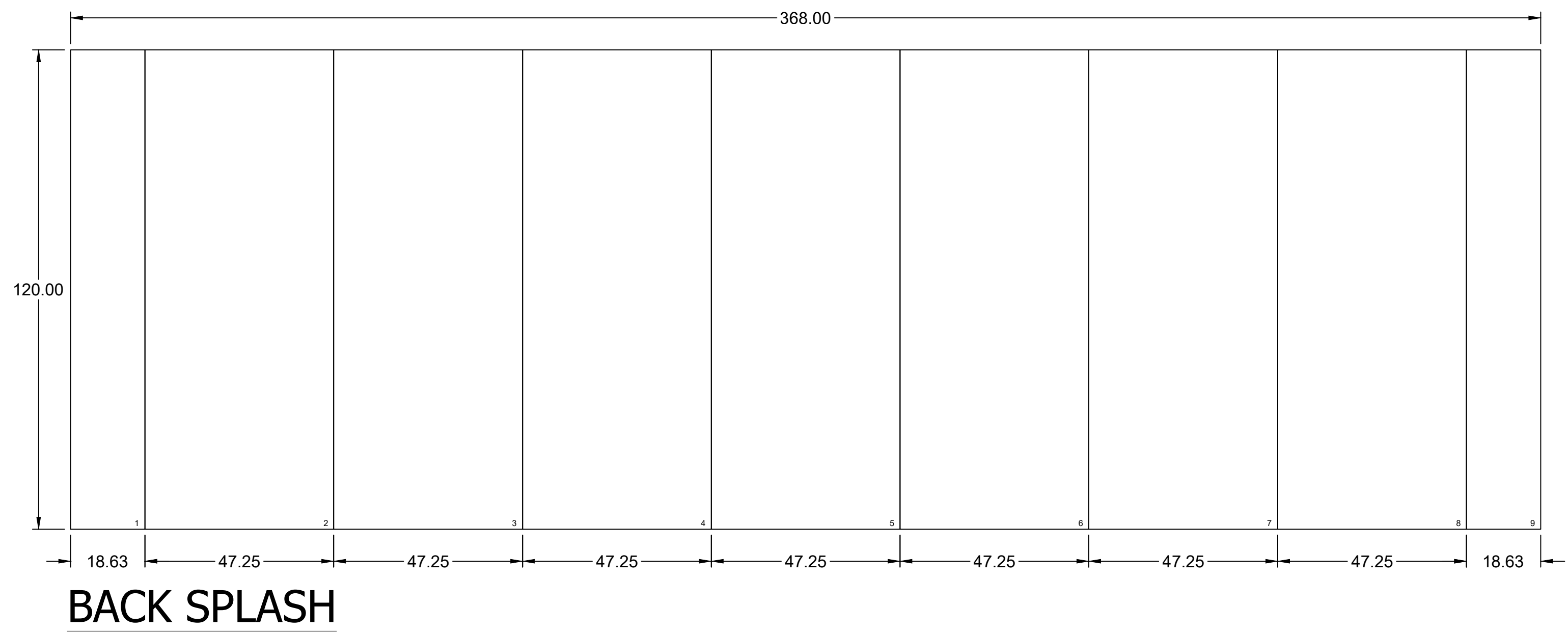
PROJECT: KITCHEN SOCIAL MONTGOMERY

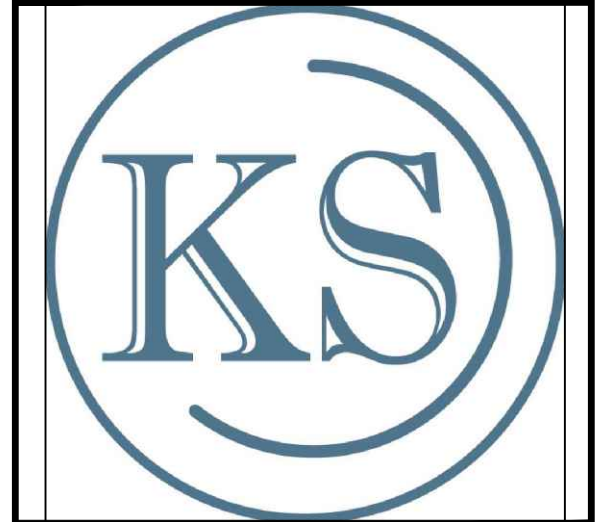
DRAWN BY: S. KNAPP

DATE: 2023-03-24

**HOOD 2**

**FSE-7.2**





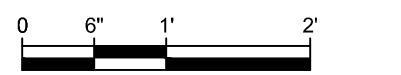
KITCHEN SOCIAL  
9340 MONTGOMERY ROAD  
MONTGOMERY, OH 45242

REVISIONS:  
2023.02.08-FIXED FSE-3.2 PAGE AND ADDED BAR ELEVATIONS & ACCURATE HOOD SYMBOLS SHOWN.  
2023.02.23-ADDED WALK-IN DWGS  
2023.03.03-NEW BASE-DISH AREA REVISED BAR PER NEW BASE.  
2023.03.06-REVISIONS PER ABBOT MARK UP  
2023.03.07-CLEAN UP OF SET PER REVIEW. REMOVED BEER COOLER WALK-IN DWG (FSE-8.2).  
2023.03.10-CHG'D D4, R2,R3, D4 NOW A GAS FIRED UNIT. NEW HOOD DRAWINGS (REV.2-DISH HOOD EXHAUST COLLAR CHANGE).  
2023.03.24- REV 1: BUILDING COMMENTS

FOR REFERENCE ONLY

CONTACT: FRANK THOMPSON

SCALE: 3/4"=1'0"



PROJECT: KITCHEN SOCIAL MONTGOMERY

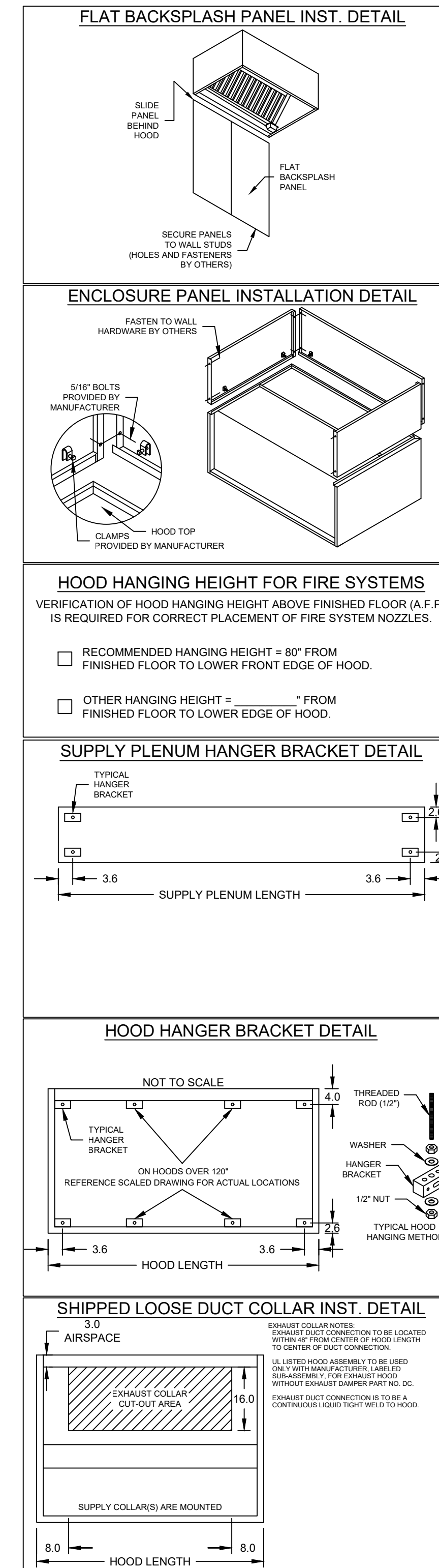
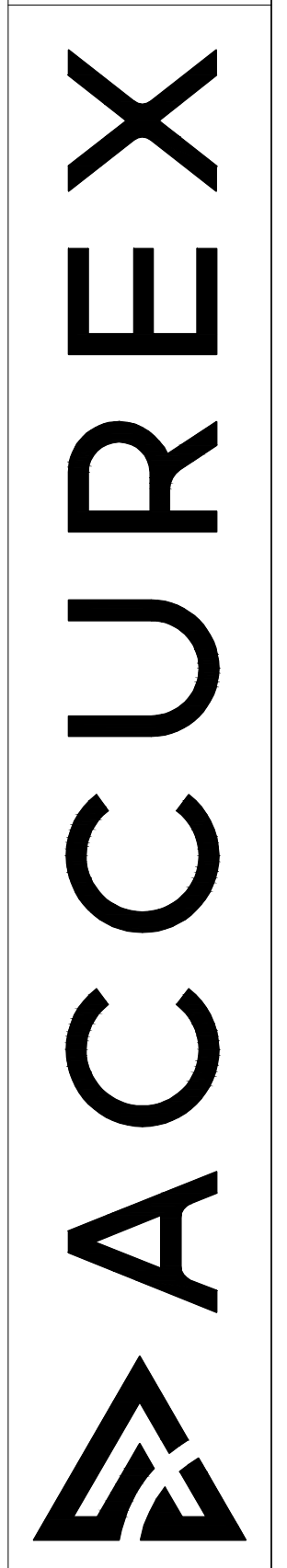
DRAWN BY: S. KNAPP

DATE: 2023-03-24

HOOD 3

FSE-7.3

PROJECT: 3/9/2023  
 MARK: KITCHEN SOCIAL - MONTGOMERY, OH R2  
 ACCUREX WESTERN PA WV  
 MIKE PARSLEY  
 MIKE.PARSLEY@ACCUREX.COM  
 (614)378-4350

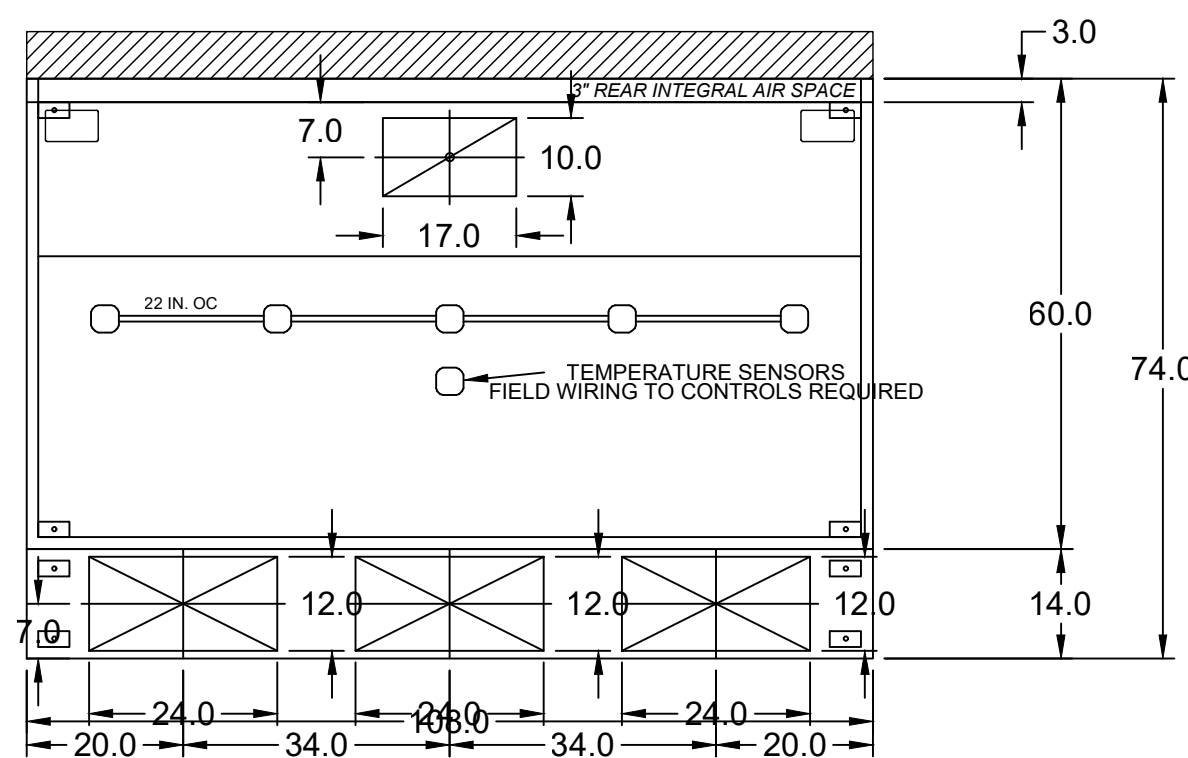


HOOD INFORMATION																	
HOOD NO.	MARK	MODEL	HOOD DIMENSIONS (IN.)			HOOD CONSTR.	COOKING LOAD / DUTY RATING	TOTAL CFM	EXHAUST					SUPPLY		TOTAL WEIGHT LBS.	SECTION LOCATION
			LENGTH	WIDTH	HEIGHT				COLLAR(S)					MUA CFM	AC CFM		
1	KH-2 PREP	XXEW-108-S	108	60	24	430 SS WHERE EXPOSED	HEAVY	1800	10	17		1800	0.487	1440		309.391	SINGLE

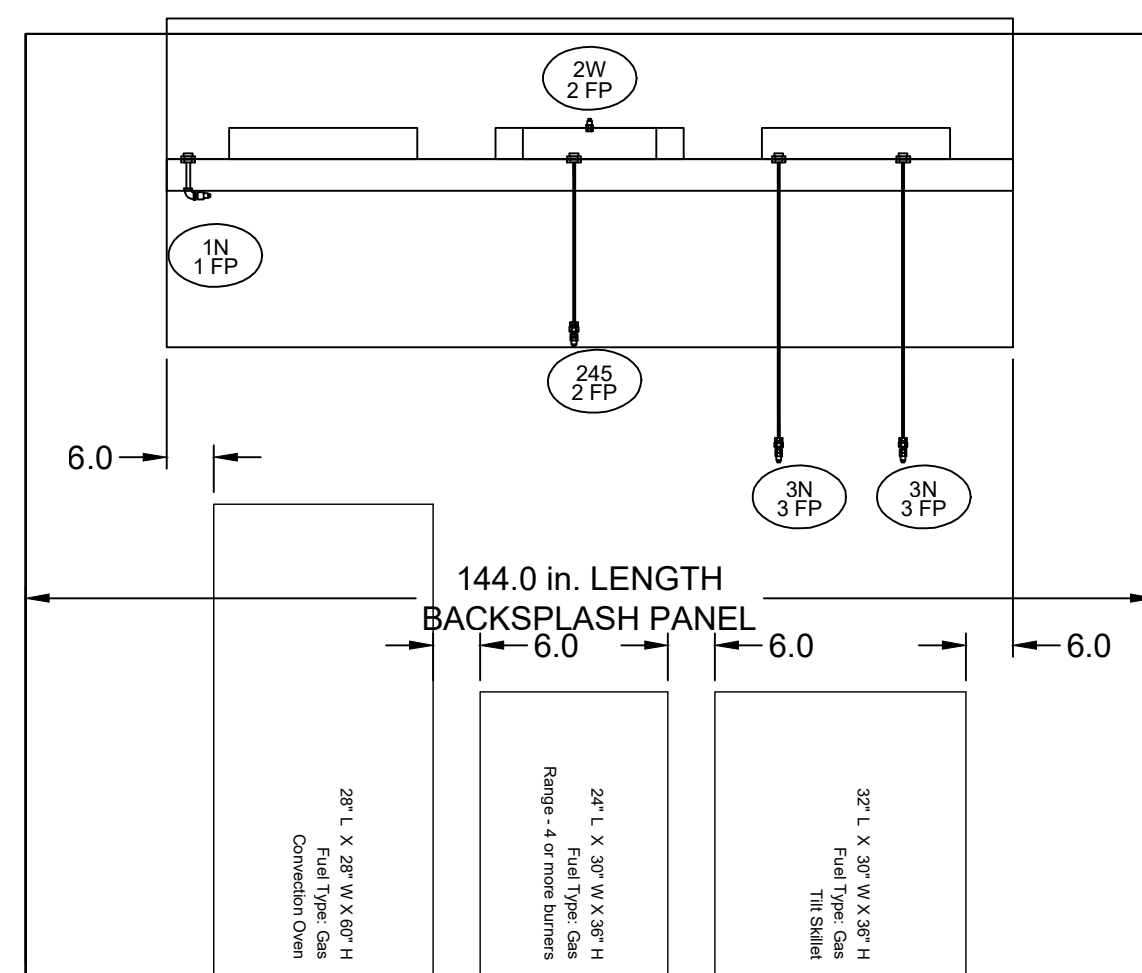
HOOD INFORMATION																	
HOOD NO.	MARK	LIGHTING DETAILS				GREASE FILTRATION DETAILS				UTILITY CABINET(S)							
		FIXTURE TYPE BULB / LAMP INFO		QTY	FOOT CANDLES	TYPE / MODEL MATERIAL		QTY	SIZE (IN.) L H	LOCATION	FIRE SYSTEM		CONTROLS				
1	KH-2 PREP	INCANDESCENT (GLOBE) 100W A19 (BULBS NOT INCL.)		5	48.13	X-TRACTOR STAINLESS STEEL		3	16	20							

SUPPLY PLENUM INFORMATION																		
HOOD NO.	MARK	POS.	TYPE	SIZE (IN.)			INSULATED	DAMPER(S)	LED LIGHT(S) SUPPLIED	TOTAL CFM	COLLARS							
				L	W	H					TYPE	MOUNTING	QTY	W	L	DIA.	CFM	S.P.
1	KH-2 PREP	FRONT	ASP	108	14	4	NO	YES	NO	1440	MUA	FACTORY	3	12	24	480	0.01	240

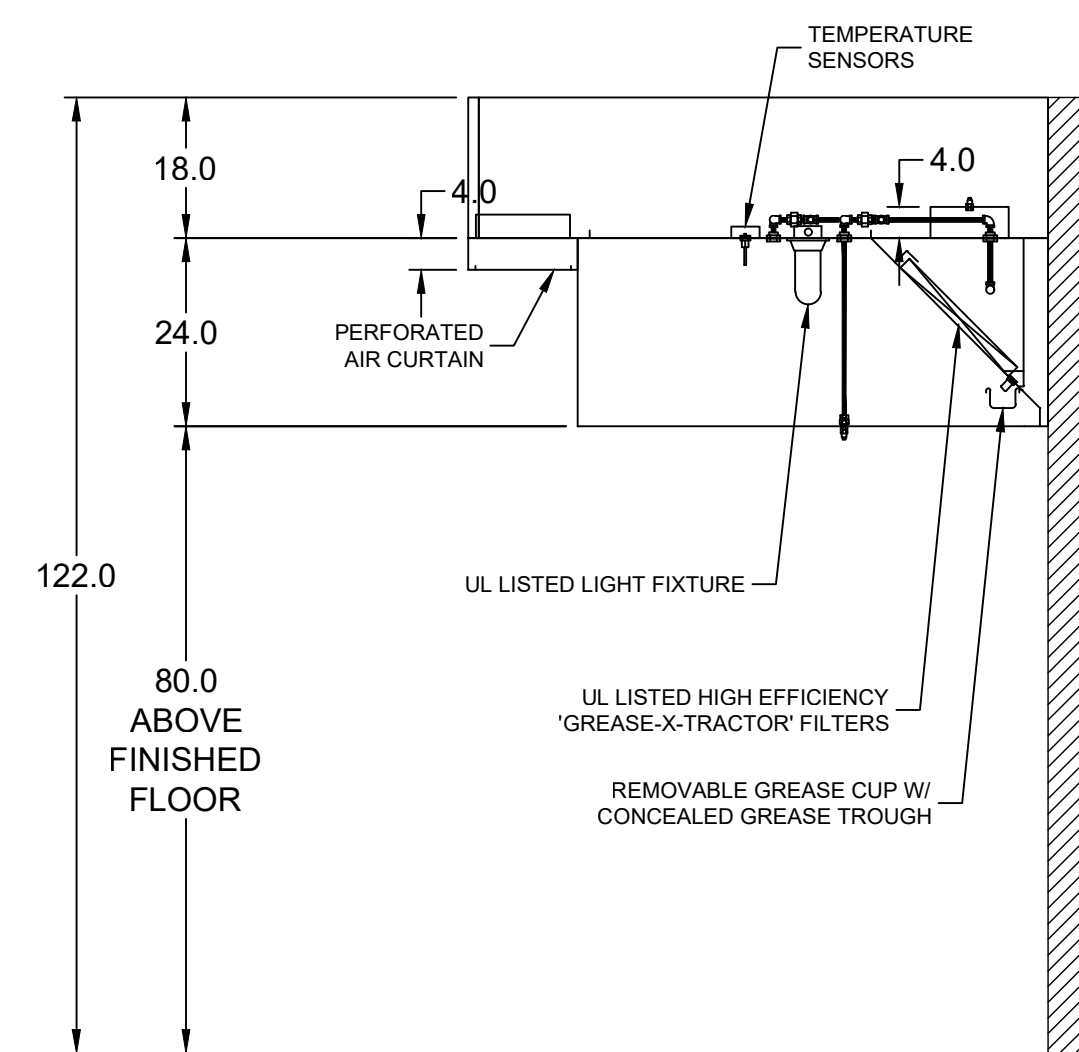
HOOD OPTIONS  
 UL 710 LISTED W/ OUT EXHAUST FIRE DAMPER - UL #R25625  
 BACK INTEGRAL AIR SPACE - 3 IN WIDE  
 18 IN HIGH CEILING ENCLOSURES - FRONT LEFT RIGHT - FIELD INSTALLED  
 SHIPPED LOOSE EXHAUST COLLAR(S)  
 BACKSPASH 120.00 IN HIGH 144.00 IN LONG  
 PERFORMANCE ENHANCING LIP (PEL) TECHNOLOGY  
 STANDING SEAM CONSTRUCTION FOR SUPERIOR STRENGTH



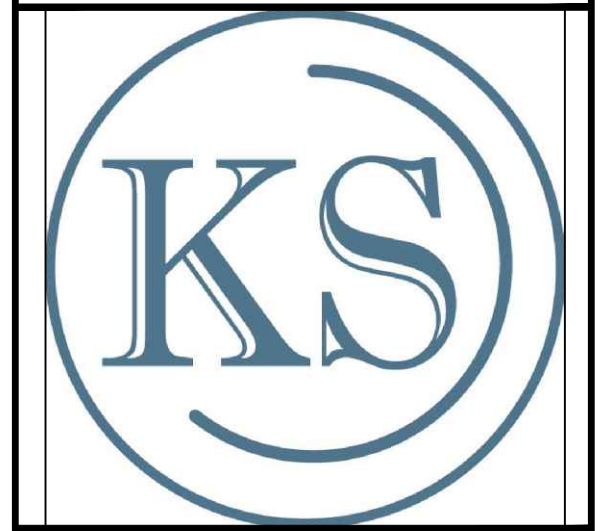
MARK: KH-2 Prep - SECTION 1  
PLAN VIEW



MARK: KH-2 Prep - SECTION 1  
ELEVATION VIEW



MARK: KH-2 Prep  
SECTION VIEW



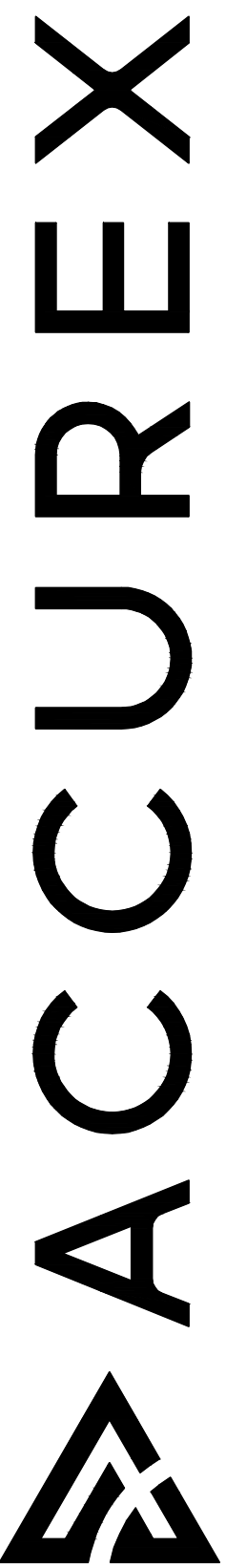
**KITCHEN SOCIAL**  
**9340 MONTGOMERY ROAD**  
**MONTGOMERY, OH 45242**

**PROJECT** Kitchen Social - Montgomery, OH  
 3/9/2023 R2



**MARK** KH-2 Prep - SPLASH PANEL LAYOUT

ACCUREX WESTERN PA WV  
 Mike Parsley  
 mike.parsley@accurex.com  
 (614)376-4350



**REVISIONS:**

- 2023.02.08-FIXED FSE-3.2 PAGE AND ADDED BAR ELEVATIONS & ACCURATE HOOD SYMBOLS SHOWN.
- 2023.02.23-ADDED WALK-IN DWGS
- 2023.03.03-NEW BASE-DISH AREA REVISED BAR PER NEW BASE.
- 2023.03.06-REVISIONS PER ABBOT MARK UP
- 2023.03.07-CLEAN UP OF SET PER REVIEW. REMOVED BEER COOLER WALK-IN DWG (FSE-8.2).
- 2023.03.10-CHG'D D4, R2,R3. D4 NOW A GAS FIRED UNIT. NEW HOOD DRAWINGS (REV.2-DISH HOOD EXHAUST COLLAR CHANGE).
- 2023.03.24- REV 1: BUILDING COMMENTS

FOR REFERENCE ONLY

CONTACT: FRANK THOMPSON

SCALE: 3/4"=1'0"

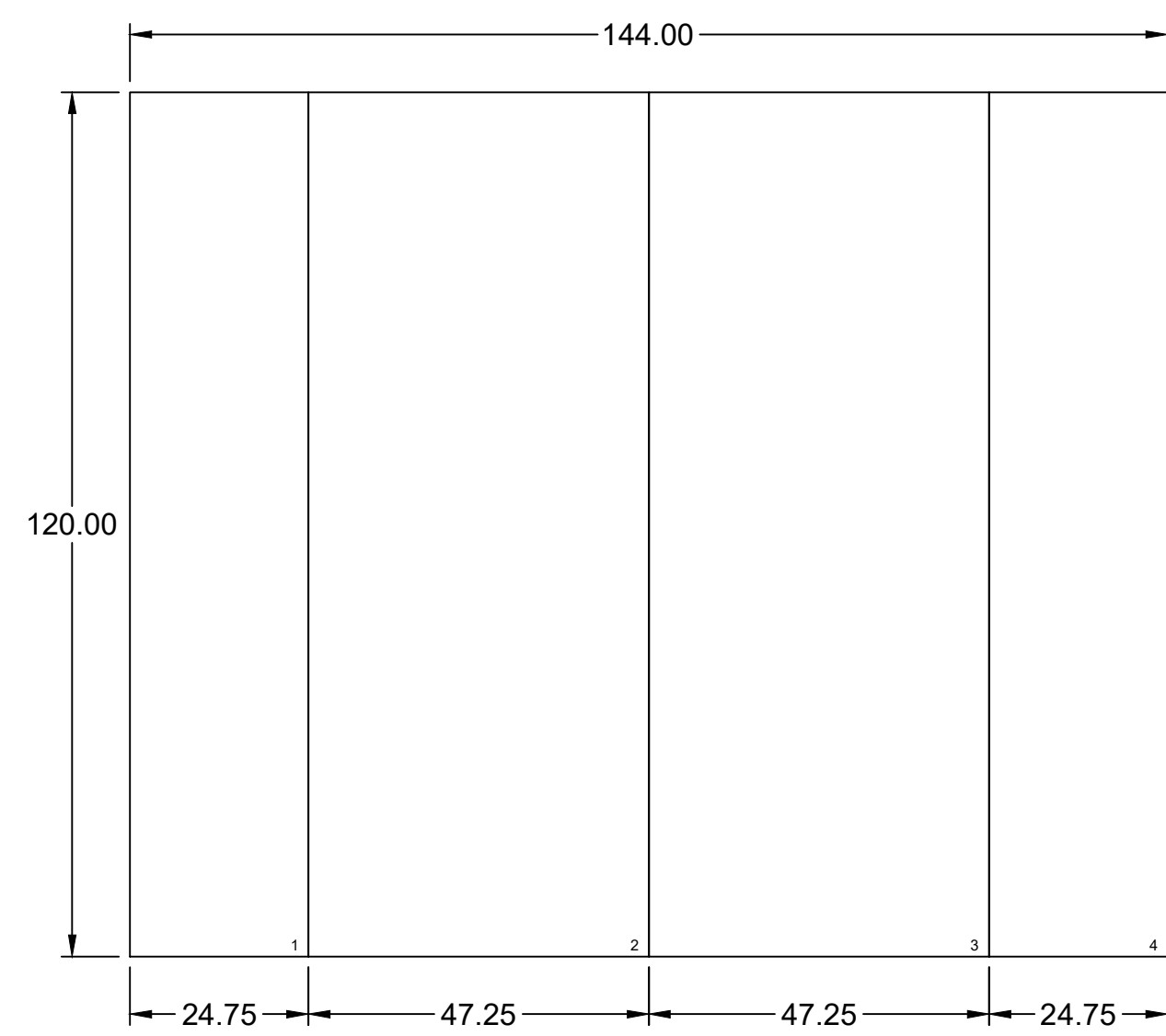
PROJECT: KITCHEN SOCIAL MONTGOMERY

DRAWN BY: S. KNAPP

DATE: 2023-03-24

**HOOD 4**

**FSE-7.4**



**BACK SPLASH**

FIRE SYSTEM INFORMATION

MARK	MODEL	LOCATION	FLOW POINTS		SUPPLY LINE	DETECTION	MARK(S) PROTECTED BY FIRE SYSTEM
			HOODS	PCU			
FSS-1	ANSUL R-102 WET CHEMICAL	CABINET – LEFT END OF KH-1 COOKLINE	42 UTILIZED 44 AVAILABLE		CONTINUOUS	FUSIBLE LINK	KH-1 COOKLINE SECTION 1 KH-1 COOKLINE SECTION 2 KH-1 COOKLINE SECTION 3 KH-2 PREP SECTION 1

FIRE SYSTEM OPTIONS AND ACCESSORIES

FULL INSTALLATION (INCLUDES PRE-PIPED HOOD(S) WITH DETECTION AND FACTORY COORDINATED INSTALL)  
 CHROME SLEEVES FOR FACTORY PROVIDED APPLIANCES DROPS - INCLUDED  
 METAL BLOW-OFF CAPS - INCLUDED  
 GAS VALVE - INCLUDED - MECHANICAL SHUTOFF VALVE, 2", (ANSUL) - PART# ANSULMECHSHUTOFFVALVE200  
 HOOD SUPPRESSION TANK - INCLUDED - 12 GAL. - [(4) 3.0 TANK(S)]  
 REMOTE PULL STATION - STANDARD - FIELD INSTALLATION AT SINGLE POINT OF EGRESS

ANSUL R102 (WET CHEMICAL) FIRE PROTECTION SYSTEM - MODEL FSSC

**CONTROL PANEL**

- STAINLESS STEEL ENCLOSURE
- AGENT STORAGE TANK
- EXPULSION GAS CARTRIDGE
- ANSUL AUTOMAN RELEASE
- REGULATOR
- KNOCKOUT FOR WIRING MICROSWITCH

**NOTES:**

WET CHEMICAL FIRE PROTECTION SYSTEM TO BE ANSUL R-102, DESIGNED IN COMPLIANCE WITH UL 300 REQUIREMENTS.

- VERIFICATION OF ALL COOKING EQUIPMENT MAKE, MODEL AND LOCATION REQUIRED FOR ALL FIRE PROTECTION SYSTEMS
- ALL FIRE SYSTEM PIPING IS STANDARDLY TO THE RIGHT END OF THE HOOD UNLESS A WALL IS LOCATED ON THE RIGHT END.
- ANSUL AUTOMAN RELEASE TO BE LOCATED WITHIN 60" OF HOOD.

THE BASIC FIRE SYSTEM WILL INCLUDE THE FOLLOWING:

- GAS SHUT-OFF VALVE, IF REQUIRED, TO BE SUPPLIED BY MANUFACTURER (UP TO 2" DIAMETER AS STANDARD), AND INSTALLED BY A LICENSED PLUMBER
- MICRO SWITCH TO BE SUPPLIED BY MANUFACTURER FOR CONNECTION TO, BUT NOT LIMITED TO, BUILDING ALARM SYSTEM(S), EXHAUST AND SUPPLY FANS AND ELECTRICAL POWER SHUT DOWN. FIELD WIRING AND CONNECTIONS TO BE PERFORMED BY A LICENSED ELECTRICIAN.

THE BASIC FIRE SYSTEM DOES NOT INCLUDE THE FOLLOWING:

- FULL DUMP TEST OTHER THAN WHAT IS SPECIFIED PER THE INSTALLATION MANUAL, OR TO SATISFY A STATE OR LOCAL CODE. PERMIT AND TESTING FEES ARE NOT INCLUDED UNLESS NOTED UNDER THE EQUIPMENT SCHEDULE FOR THE FIRE SYSTEM.
- MORE THAN TWO TRIPS TO THE JOBSITE OR SPECIAL TRANSPORTATION, OR OVERNIGHT LOGGING REQUIREMENTS IN REMOTE AREAS. NORMAL TRAVEL DISTANCE IS FIRST 50 MI. (80.5 KM) FROM OFFICE.
- SPECIAL CLASSES OR ADDITIONAL LABOR FOR ACCESS TO SECURITY SENSITIVE AREAS.
- INSTALLATION OF GAS SHUT-OFF VALVE.
- SPECIAL DRAWINGS REQUIRED TO SATISFY STATE OR LOCAL CODE. PLAN EXAMINATION FEES, FE OR FS APPROVAL STAMP
- UNION LABOR, GOVERNMENT LABOR, OR PREVAILING WAGES REQUIRED FOR FINAL FIELD HOOD-UP
- ANY AND ALL ELECTRICAL COMPONENTS/CONNECTIONS REQUIRED TO SHUT DOWN FANS, SHUT OFF DEVICE FOR ELECTRIC COOKING EQUIPMENT (SHUNT TRIP BREAKER), OR ACTIVATE AN ALARM SYSTEM, ETC.
- ANY DISMANTLING OR REASSEMBLY REQUIRED TO GAIN ACCESS TO THE FIRE SUPPRESSION PIPING LOCATED ON THE TOP OF THE HOOD
- ROUGH-IN HIDDEN CONDUIT FOR REMOTE PULL STATION OR GAS VALVE (FLUSH MOUNTED PULL STATION).
- INSTALLATION OF MORE THAN (1) REMOTE PULL STATIONS OR DISTANCES GREATER THAN 20 FT (6.1M).
- PARTS OR LABOR REQUIRED TO CORRECT PIPING DUE TO COOKING EQUIPMENT CHANGES OR DEVIATION FROM PLANS, OR ANY CHARGES FOR MISSING OR ADDITIONAL PARTS OTHER THAN THOSE INDICATED ON THE FIRE SUPPRESSION DETAIL.

**WIRING DIAGRAMS**  
 WDPDT MICRO SWITCH  
 DPDT SWITCHES PROVIDED BY MANUFACTURER MAY BE WIRED PER TYPICAL EXAMPLES SHOWN. VERIFY WITH LOCAL CODES AND EQUIPMENT SUPPLIER AS THE CONNECTION NEEDED FOR YOUR INSTALLATION.

**CONNECTION TO BUILDINGS ALARM**

**CONNECTION TO COOKING EQUIPMENT SHUT DOWN**

**CONNECTION TO FAN SHUT DOWN**

DO NOT SHUT DOWN EXHAUST FANS WITH THIS METHOD OF WIRING, IF PROHIBITED BY LOCAL CODES.

**NOTES:**

1. DENOTES FIELD INSTALLATION.
2. DENOTES FACTORY INSTALLATION.
3. DO NOT USE BLACK WIRE OR SNAP-ACTION SWITCH IN NORMAL INSTALLATION. BLACK WIRE TO BE USED ONLY FOR EXTRANEIOUS ALARM, LIGHT CIRCUITS, ETC.

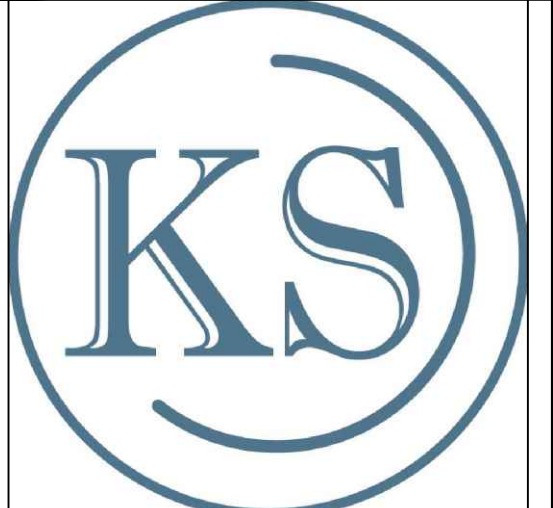
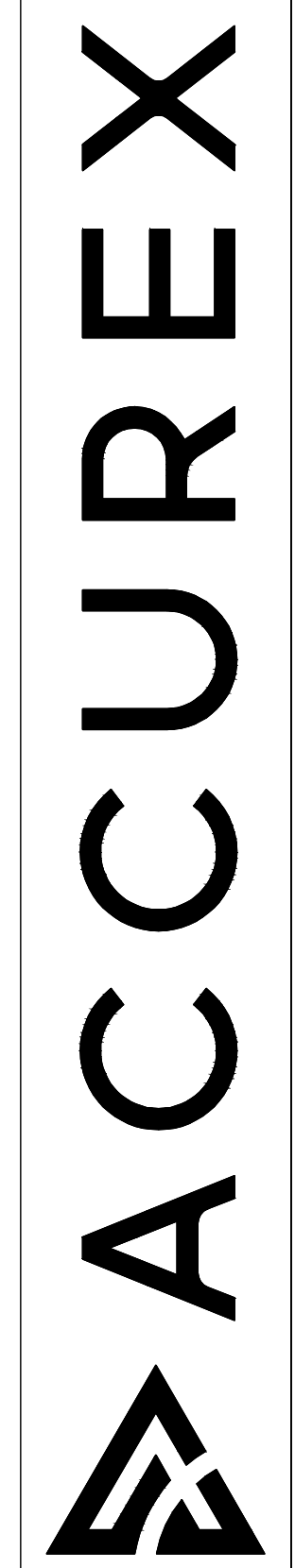
KITCHEN SOCIAL -  
MONTGOMERY, OH R2

FSS-1

PROJECT  
3/9/2023

MARK

ACCUREX WESTERN PA WV  
MIKE PARSLEY  
MIKE.PARSLEY@ACCUREX.COM  
(614) 978-4350



KITCHEN SOCIAL  
9340 MONTGOMERY ROAD  
MONTGOMERY, OH 45242

- REVISIONS:
- 2023.02.08-FIXED FSE-3.2 PAGE AND ADDED BAR ELEVATIONS & ACCURATE HOOD SYMBOLS SHOWN.
  - 2023.02.23-ADDED WALK-IN DWGS
  - 2023.03.03-NEW BASE-DISH AREA REVISED BAR PER NEW BASE.
  - 2023.03.06-REVISIONS PER ABBOT MARK UP
  - 2023.03.07-CLEAN UP OF SET PER REVIEW. REMOVED BEER COOLER WALK-IN DWG (FSE-8.2).
  - 2023.03.10-CHG'D D4, R2,R3. D4 NOW A GAS FIRED UNIT. NEW HOOD DRAWINGS (REV.2-DISH HOOD EXHAUST COLLAR CHANGE).
  - 2023.03.24- REV 1: BUILDING COMMENTS

FOR REFERENCE ONLY

CONTACT: FRANK THOMPSON

SCALE: 3/4"=1'0"

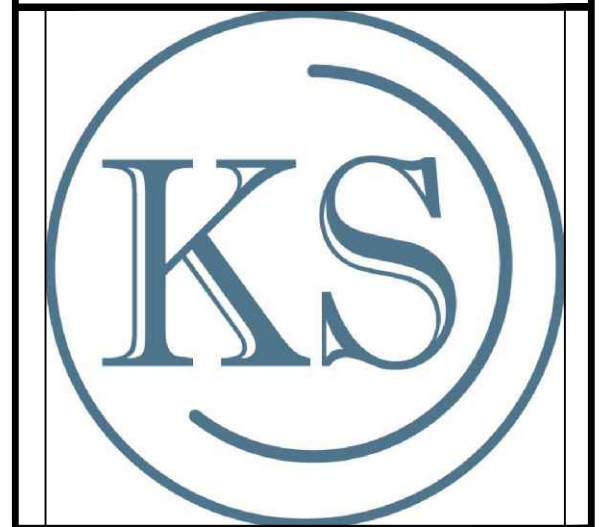
PROJECT: KITCHEN SOCIAL MONTGOMERY

DRAWN BY: S. KNAPP

DATE: 2023-03-24

HOOD 5

FSE-7.5



KITCHEN SOCIAL  
9340 MONTGOMERY ROAD  
MONTGOMERY, OH 45242

- REVISIONS:
- 2023.02.08-FIXED FSE-3.2 PAGE AND ADDED BAR ELEVATIONS & ACCURATE HOOD SYMBOLS SHOWN.
  - 2023.02.23-ADDED WALK-IN DWGS
  - 2023.03.03-NEW BASE-DISH AREA REVISED BAR PER NEW BASE.
  - 2023.03.06-REVISIONS PER ABBOT MARK UP
  - 2023.03.07-CLEAN UP OF SET PER REVIEW. REMOVED BEER COOLER WALK-IN DWG (FSE-8.2).
  - 2023.03.10-CHG'D D4, R2,R3, D4 NOW A GAS FIRED UNIT. NEW HOOD DRAWINGS (REV.2-DISH HOOD EXHAUST COLLAR CHANGE).
  - 2023.03.24- REV 1: BUILDING COMMENTS

FOR REFERENCE ONLY

CONTACT: FRANK THOMPSON  
SCALE: 3/4"=1'0"  
PROJECT: KITCHEN SOCIAL MONTGOMERY  
DRAWN BY: S. KNAPP  
DATE: 2023-03-24

HOOD 6

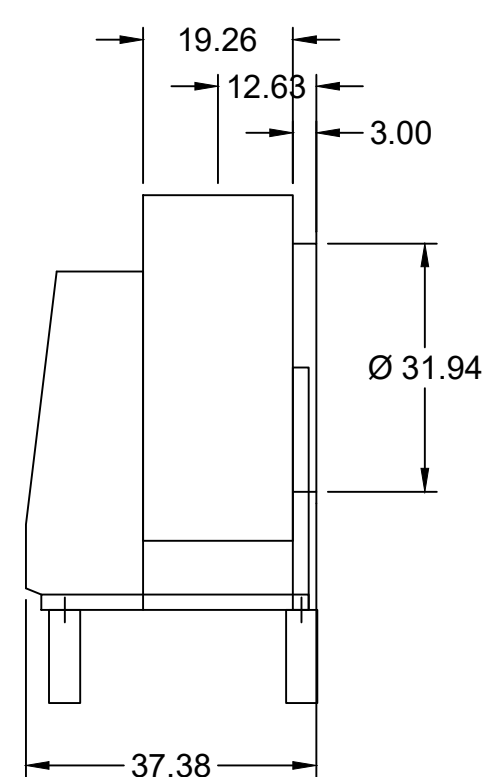
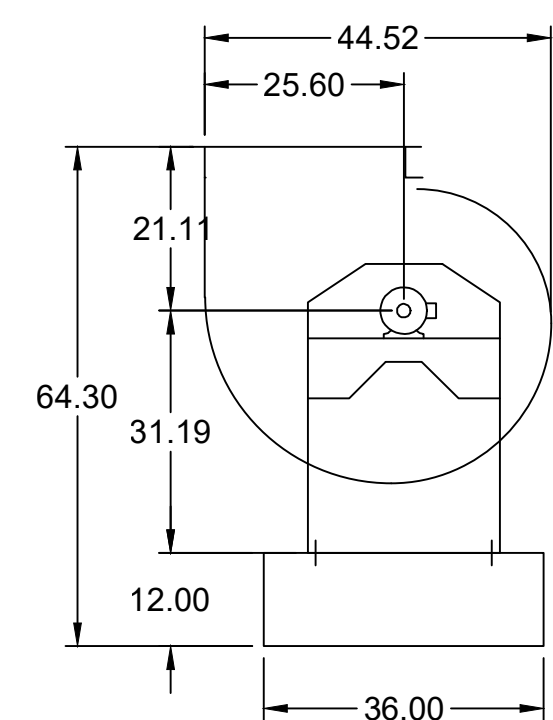
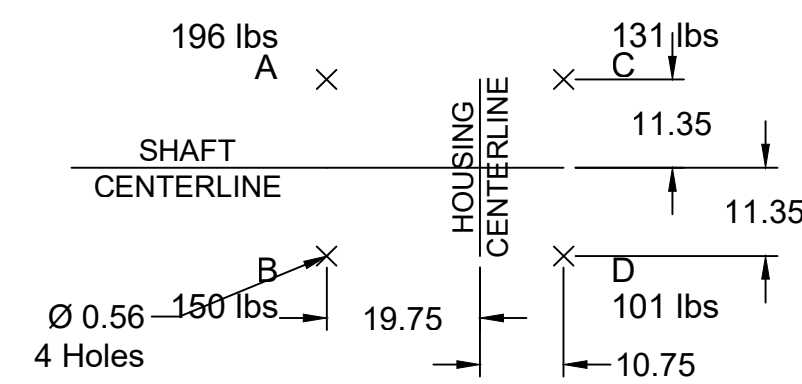
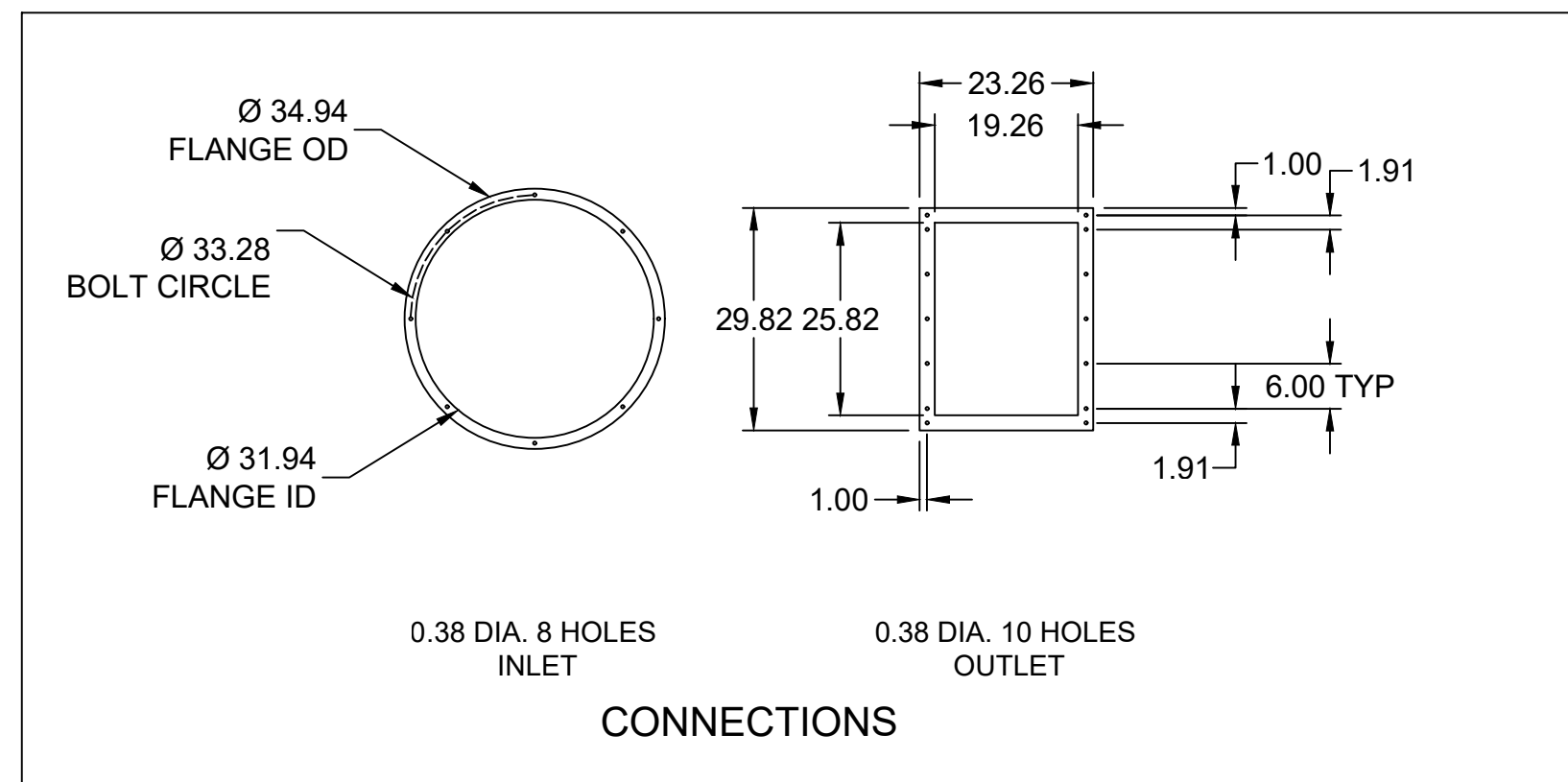
FSE-7.6

Universal Single Width Fan

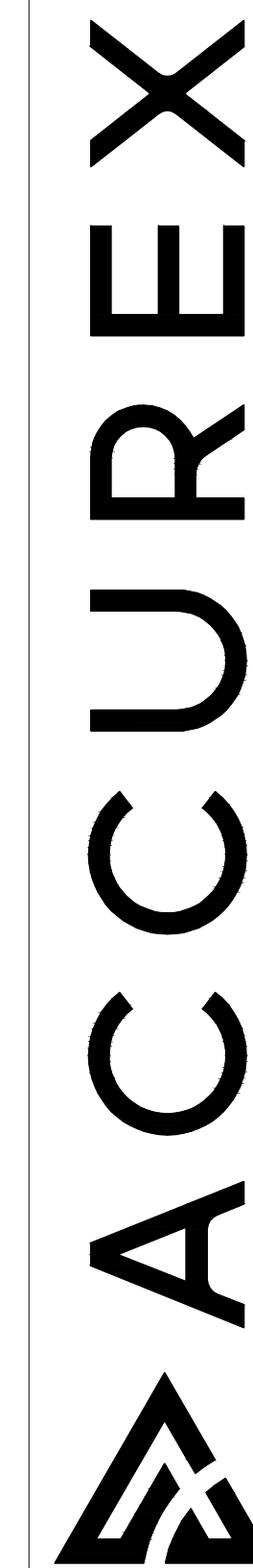
MARK INFORMATION		FAN INFORMATION						MOTOR INFORMATION					
QTY	MARK	MODEL	VOLUME (CFM)	TOTAL EXTERNAL SP (IN WG)	FAN RPM	OPERATING POWER (HP)	WEIGHT (LB.)	SIZE (HP)	V/C/P	ENCLOSURE	MOTOR RPM	WINDINGS	
1	EF-1	XUEF-24	8,025	2.608	1,254	4.75	749	7.5	208/60/3	TF	1770	1	

EF-1 : SELECTED OPTIONS AND ACCESSORIES

- Finish - Coated
- Coating - Permatecor, Concrete Gray-RAL 7023, Fan and Attached Accessories
- Switch - NEMA-3R, Toggle, For Indoor or Outdoor Use, Ship Separate
- Direct Mount Isolators, Isolator-Spring, Restrained, 2 Inch, Indoor / Outdoor Use, Base Coating - N/A
- Housing - Welded Scroll
- Arrangement - 4
- Wheel - Backward Inclined
- UL Listed for Grease Exhaust - UL/cUL-762 Outdoor - "Power Vent. for Restaurant Exhaust Appliances"
- Access Door - Bolted
- Drain Connection - 1 inch threaded female
- Inlet Flange, Punched
- Outlet Flange, Punched
- Motor Cover - Steel Construction
- Outlet Guard, Steel, Coated w/Safety Yellow Finish
- Shaft Seal - High Temperature
- Grease Trap with Drain Connection and Absorbent Material, Shipped Loose
- Fasteners - Standard



PROJECT: 3/9/2023  
MARK: EF-1  
ACCUREX WESTERN PA WW  
MIKE PARSLEY@ACCUREX.COM  
(814)378-4350



KITCHEN SOCIAL  
MONTGOMERY, OH R2

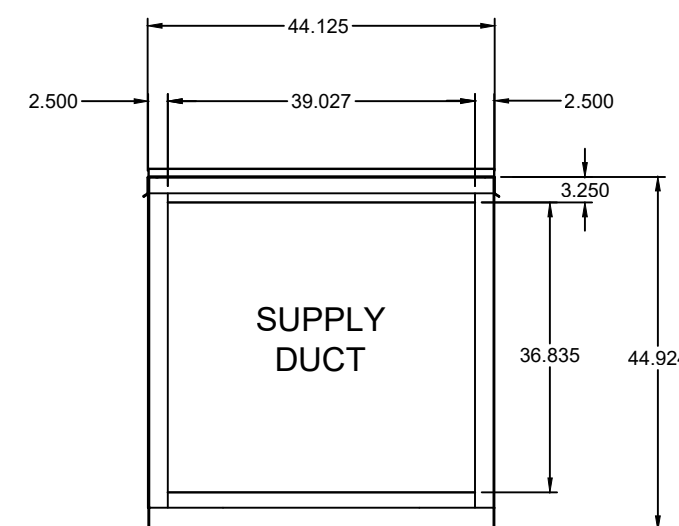
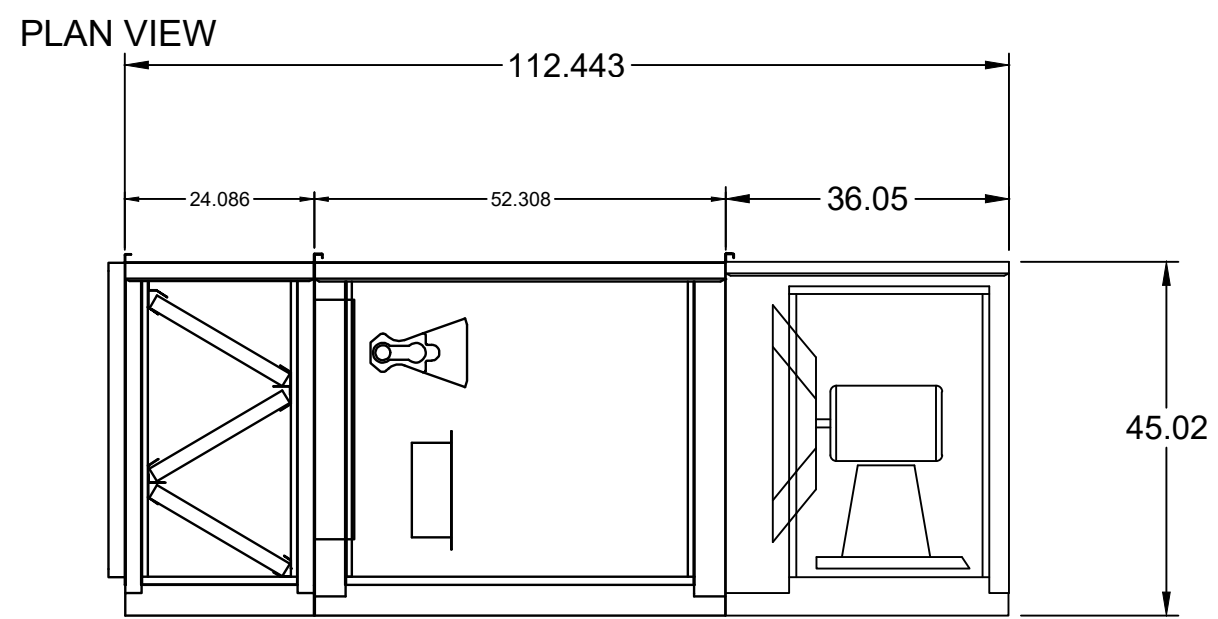
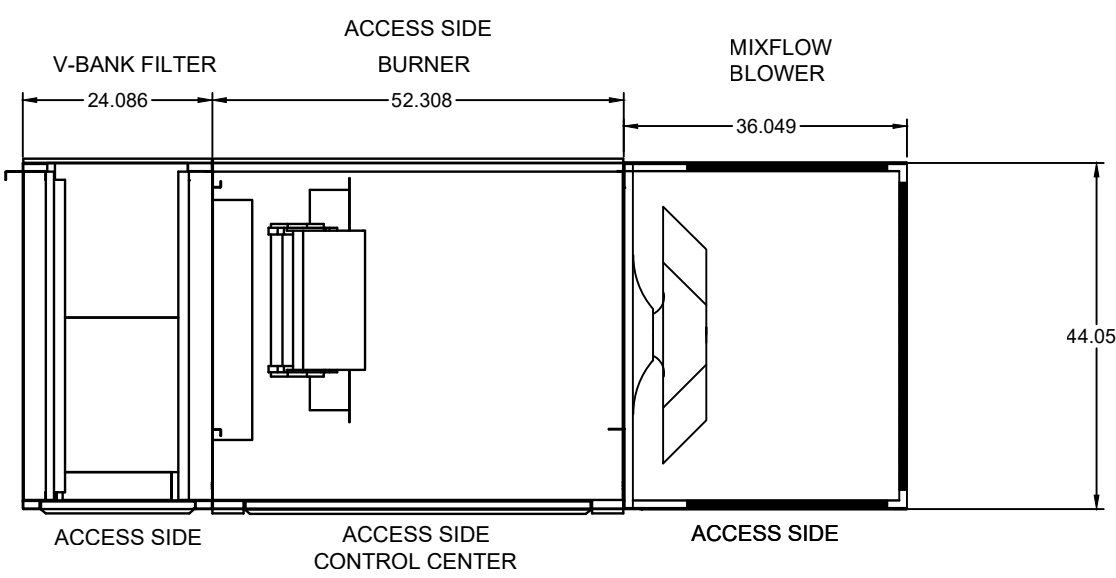
EF-1



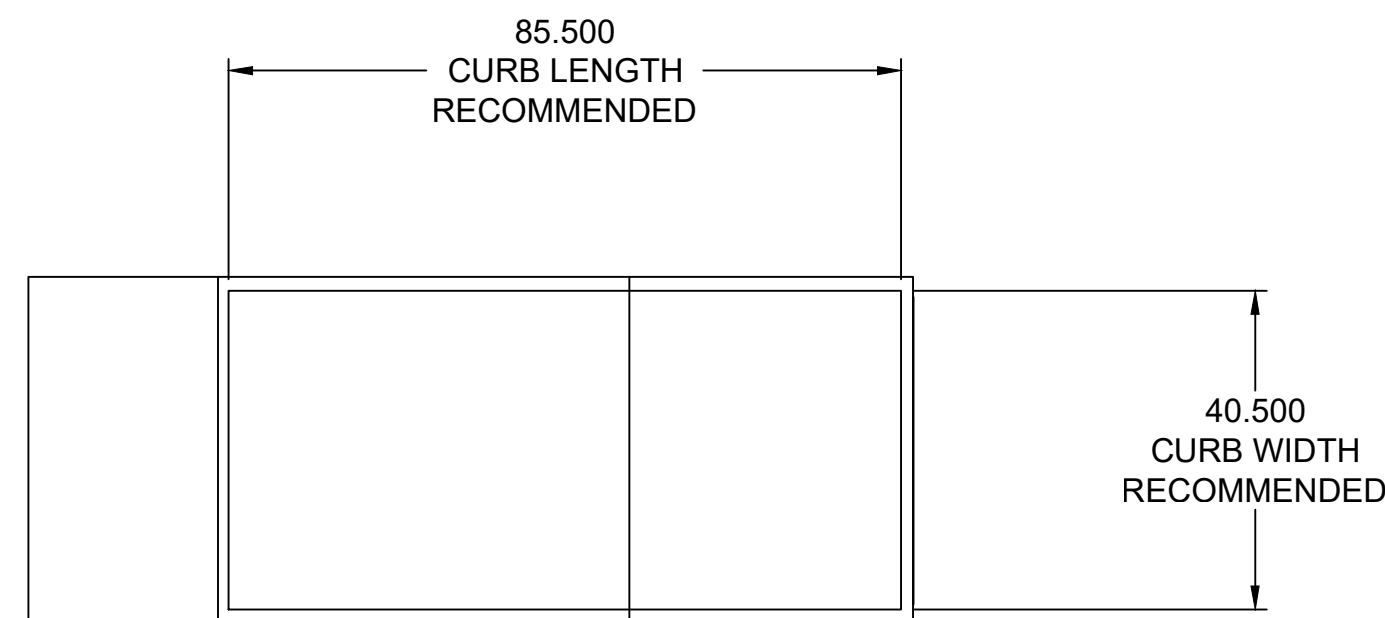
EQUIPMENT SCHEDULE										
Tempered Make-Up Air Unit										
Qty	Accurex Model	Volume	External SP	Total SP	NCA	MOP	Weight	SCCR	Mark: MUA-1	
1	XDGX-P122-H22-MF	6,420 CFM	0.64 in. wg	1,477 in. wg	21.6	35	1,123 lb	5kA		
Motor Information										
Size	V/CP	Enclosure	Motor with Shaft Grounding	Motor RPM	Operating Power					
5 hp	208/60/3	OOP	No	1180	2.54 hp					
Heating										
Type	Gas Type	Temperature	Energy	Connection	Building	Control	Gas Pressure			
		Winter DB   Max Δ   Max LAT	Input   Output   Efficiency	Gas (IN)	Access	Access	Min   Max			
Direct Gas	Natural	6.3 F   53.1 F   59.4 F	400.0 MBH   366.0 MBH   92%	3/4"	1/2 PSI	Right Hand	12 in. wg   0.5 PSI			
Outlet Sound Power By Octave Band										
Hz	125	250	500	1000	2000	4000	8000	LWA	dBA	Sones
76.7	76	79.4	80.4	80.9	79.8	76.4	71.4	85.8	74.8	22.1

**OPTIONS AND ACCESSORIES**

Air Flow Arrangement: Variable Volume  
 Filter Section: Aluminum, 20x20x2 - (6)  
 Damper: Inlet  
 Outdoor Air Intake Position: End  
 Discharge Position: End  
 Coating: Galvanized  
 Insulation: Double Wall - Entire Unit  
 Panded Bottom  
 Supply Fan Control: VFD  
 VFD Control: External 0-10 VDC  
 Access Side: Right/Hand  
 Control Center  
 Heat Inlet Air Sensor  
 Unit Controls: Terminal Strip  
 Temperature Control: Discharge  
 Direct Gas Options/Accessories  
 Approvals: ETL  
 FM Compliant  
 Flame Sensing: Flame Rod  
 Ignition Control: Pilot  
 Unit Rated Gas Pressure: 1/2 PSI



END VIEW



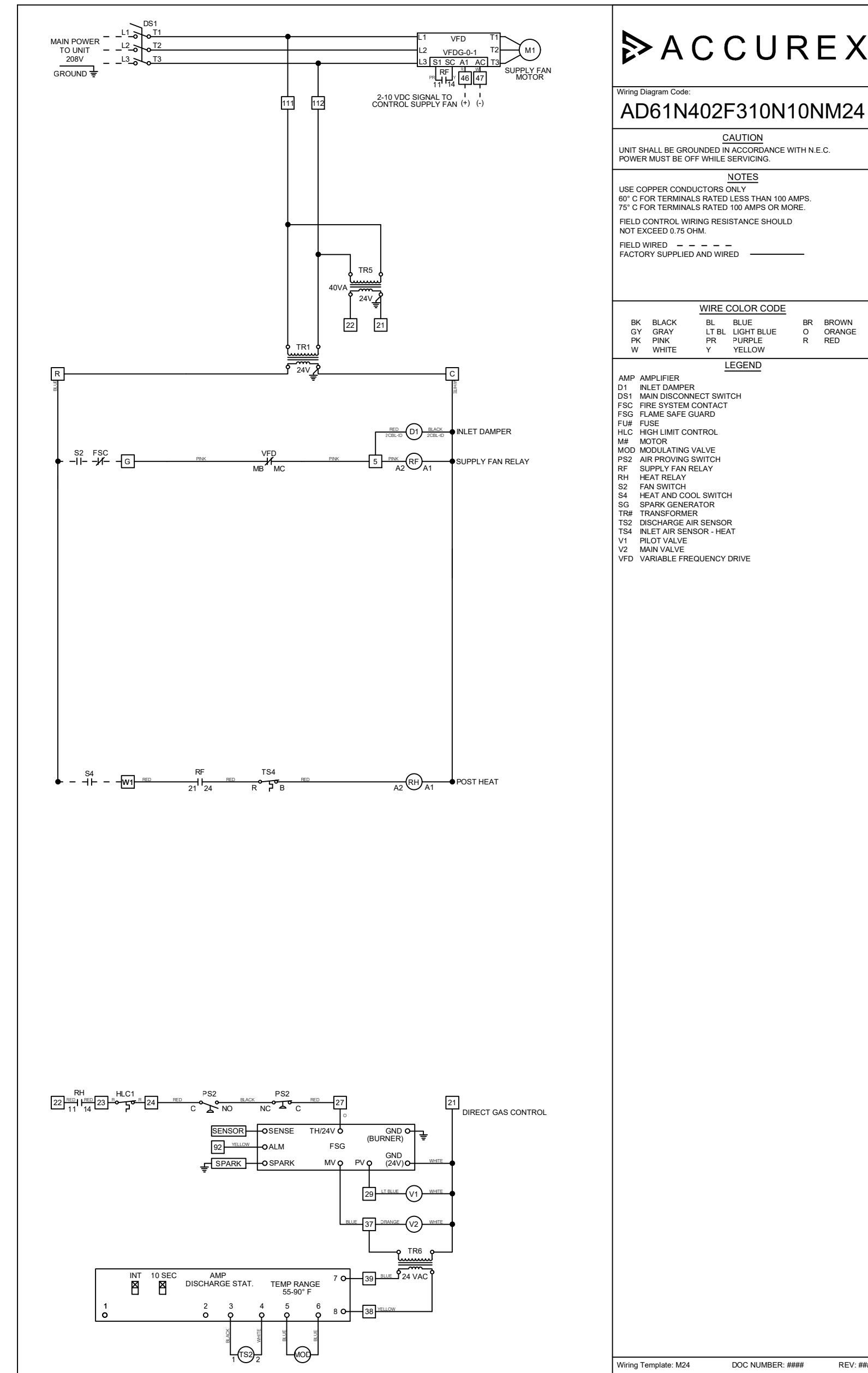
FOOTPRINT

NOTE: Roof Opening Requirements:

Minimum Roof Opening: The minimum roof opening size is the illustrated duct diameter plus 0.25 in. on all sides. For example: If the duct size is 14 x 14 in. square, the minimum roof opening size is 14.5 x 14.5 in. square.

Maximum Roof Opening: There must be a minimum perimeter of 1.75 in. between the roof opening and the roof curb. For example: If the roof curb is 75 x 30 in. square, the maximum roof opening is 71.5 x 26.5 in. inches square.

NOTE: The weatherhood and filter sections of the make-up air unit are not supported by the curb. This is by design, in order to help alleviate water infiltration issues.



**ACCUREX**

AD61N402F310N10NM24

CAUTION  
UNIT SHALL BE GROUNDED IN ACCORDANCE WITH N.E.C. POWER MUST BE OFF WHILE SERVICING.

NOTES  
USE COPPER CONDUCTORS ONLY  
75°C FOR TERMINALS RATED LESS THAN 100 AMPS  
75°C FOR TERMINALS RATED 100 AMPS OR MORE.  
FIELD CONTROL WIRING RESISTANCE SHOULD NOT EXCEED 0.75 OHM.  
FIELD WIRING: - - - - -  
FACTORY SUPPLIED AND WIRED: \_\_\_\_\_

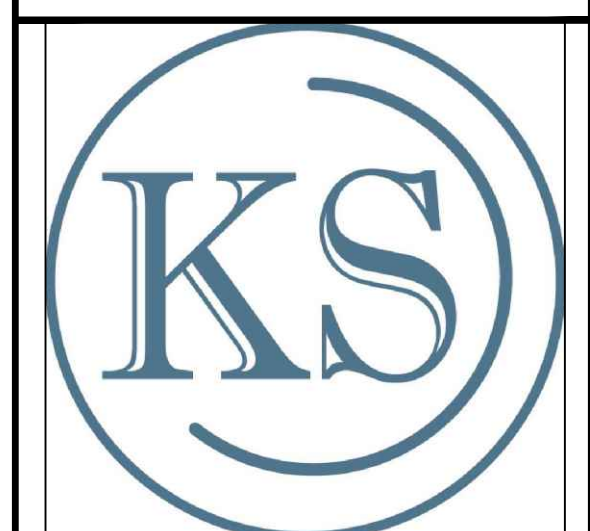
WIRE COLOR CODE  
BK BLACK BL BLUE BR BROWN  
GY GRAY LT LT LIGHT BLUE O ORANGE  
PK PINK PR PURPLE R RED  
W WHITE Y YELLOW

LEGEND  
AMP AMPLIFIER  
D1 DALE DAMPER  
DIS1 MAIN DISCONNECT SWITCH  
FSC FIRE SYSTEM CONTACT  
FSG FLAME SENSE GUARD  
FUF FUSE  
MFC MOTOR LIMIT CONTROL  
MFC MOTOR  
MOD MODULATING VALVE  
PQ2 AIR PROVING SWITCH  
RF SUPPLY FAN RELAY  
RNF RELAY  
S2 FAN SWITCH  
S4 HEAT AND COOL SWITCH  
SG SPARK GENERATOR  
TRF TRANSFORMER  
TS2 DISCHARGE AIR SENSOR  
TSA INLET AIR SENSOR - HEAT  
V1 FLD VALVE  
V2 MAIN VALVE  
VFD VARIABLE FREQUENCY DRIVE

PROJECT: 3/19/2023  
MARK: MUA-1  
KITCHEN SOCIAL - MONTGOMERY, OH R2

ACCUREX WESTERN PA WW  
MIKE PARSLEY  
MIKE.PARSLEY@ACCUREX.COM  
(614)378-4350

**ACCUREX**



**KITCHEN SOCIAL**  
9340 MONTGOMERY ROAD  
MONTGOMERY, OH 45242

- REVISIONS:
- 2023.02.08-FIXED FSE-3.2 PAGE AND ADDED BAR ELEVATIONS & ACCURATE HOOD SYMBOLS SHOWN.
  - 2023.02.23-ADDED WALK-IN DWGS
  - 2023.03.03-NEW BASE-DISH AREA REVISED BAR PER NEW BASE.
  - 2023.03.06-REVISIONS PER ABBOT MARK UP
  - 2023.03.07-CLEAN UP OF SET PER REVIEW. REMOVED BEER COOLER WALK-IN DWG (FSE-8.2).
  - 2023.03.10-CHG'D D4, R2,R3. D4 NOW A GAS FIRED UNIT. NEW HOOD DRAWINGS (REV.2-DISH HOOD EXHAUST COLLAR CHANGE).
  - 2023.03.24- REV 1: BUILDING COMMENTS

FOR REFERENCE ONLY

CONTACT: FRANK THOMPSON

SCALE: 3/4"=1'0"  
0 6" 1' 2'

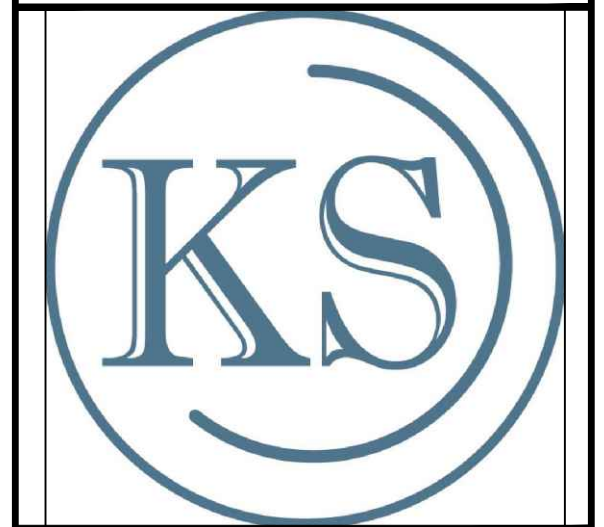
PROJECT: KITCHEN SOCIAL MONTGOMERY

DRAWN BY: S. KNAPP

DATE: 2023-03-24

**HOOD 7**

**FSE-7.7**



KITCHEN SOCIAL  
9340 MONTGOMERY ROAD  
MONTGOMERY, OH 45242

REVISIONS:  
2023.02.08-FIXED FSE-3.2 PAGE AND ADDED BAR ELEVATIONS & ACCURATE HOOD SYMBOLS SHOWN.  
2023.02.23-ADDED WALK-IN DWGS  
2023.03.03-NEW BASE-DISH AREA REVISED BAR PER NEW BASE.  
2023.03.06-REVISIONS PER ABBOT MARK UP  
2023.03.07-CLEAN UP OF SET PER REVIEW. REMOVED BEER COOLER WALK-IN DWG (FSE-8.2).  
2023.03.10-CHG'D D4, R2,R3, D4 NOW A GAS FIRED UNIT. NEW HOOD DRAWINGS (REV.2-DISH HOOD EXHAUST COLLAR CHANGE).  
2023.03.24- REV 1: BUILDING COMMENTS

FOR REFERENCE ONLY

CONTACT: FRANK THOMPSON

SCALE: 3/4"=1'0"

PROJECT: KITCHEN SOCIAL MONTGOMERY

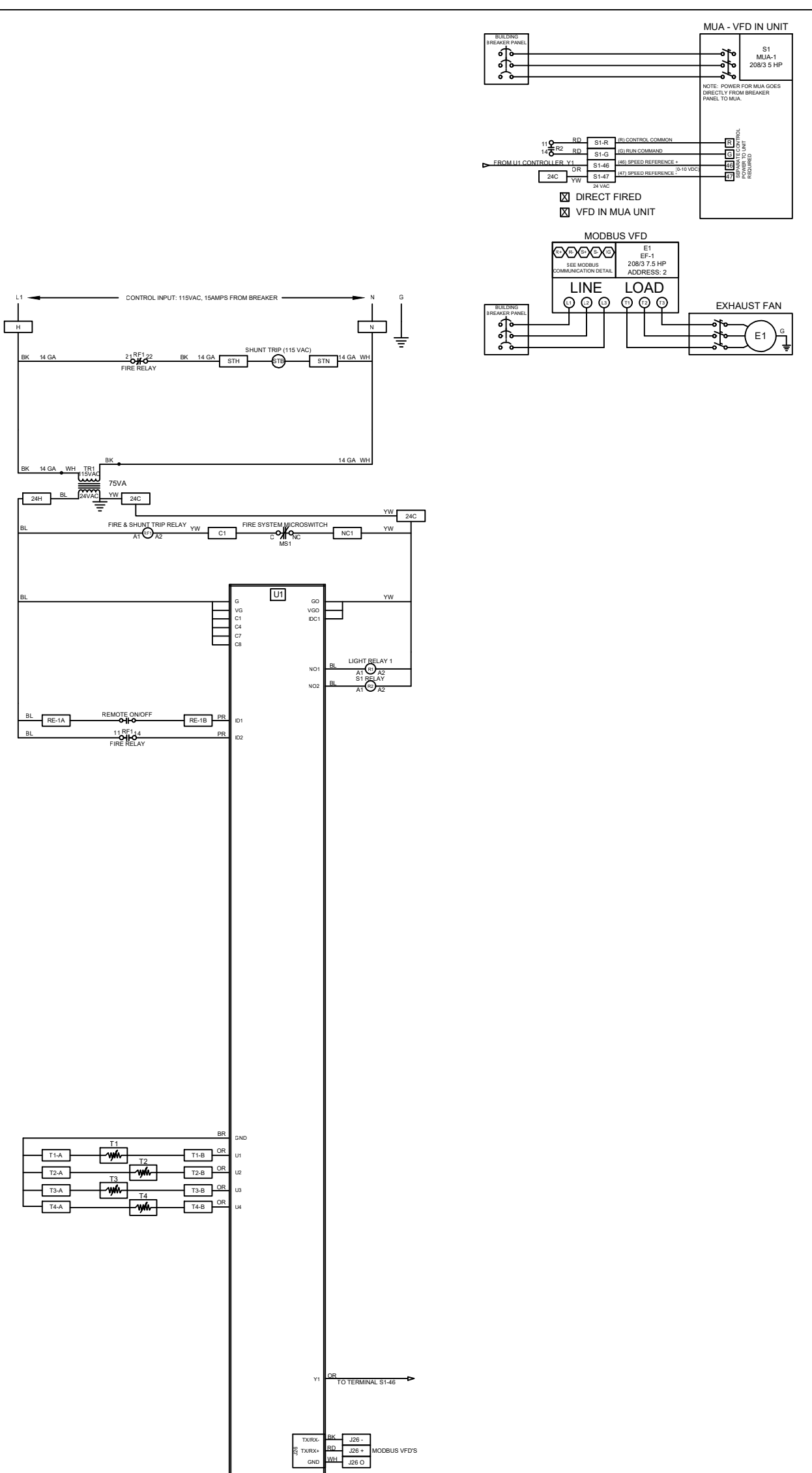
DRAWN BY: S. KNAPP

DATE: 2023-03-24

HOOD 8

FSE-7.8

CONTROL INFORMATION		ELECTRICAL CONTROL PACKAGE			USER INTERFACE		FANS CONTROLLED				CONTROL FEATURES
MARK	MODEL	LOCATION	TYPE	LOCATION	MARK	TYPE	VOLT	PHASE	HP	Lights Out In Fire	
DCKV-1	VARI-FLOW	Remote VAV Cabinet	Keypad	CABINET - LEFT END OF KH-1 Cookline	MUA-1	supply	208	3	5		
					EF-1	exhaust	208	3	7 1/2		



**ACCUREX**

WIRING DIAGRAM CODE:  
KITCHEN SOCIAL - MONTGOMERY, OH R2

PANEL TYPE: VARI-FLOW  
SERIAL NUMBER: WDSN#  
PANEL MARK: DCKV-1  
MODEL: XFCC  
DOC NUMBER: ###  
REV: ###

**CAUTION**  
UNIT SHALL BE GROUNDED IN ACCORDANCE WITH N.E.C. POWER MUST BE OFF WHILE SERVICING.

**NOTES**  
1. USE COPPER CONDUCTORS RATED TO 90°C UNLESS SPECIFIED.  
2. TORQUE: CONTROL TERMINAL & GROUND BLOCKS TO 8 LBS IN.  
3. TORQUE: POWER LUGS TO COMPONENT RATINGS LISTED.  
4. FIELD CONTROL WIRING RESISTANCE SHOULD NOT EXCEED 0.75 OHM.  
FIELD WIRED - - - - -  
FACTORY SUPPLIED AND WIRED

**LEGEND**

BR	BLACK	BL	BLUE	BR	BROWN
GY	GRAY	LTBL	LIGHT BLUE	O	ORANGE
PK	PINK	P	PURPLE	R	RED
W	WHITE	Y	YELLOW	GR	GREEN

**FAN INFORMATION**

FAN #	FAN MARK	TYPE	HP	VOLT	PH	FLA	WIRE BREAKER
E1	MUA-1	8025	5	208	3	18.7	75 GA 50 AMP
E1	EF-1	8025	7.5	208	3	24.2	8 GA 40 AMP

**FIELD WIRING**

HOOD #	DIRECT SHUNT OR HOOD MARK	AUTO HOOD	SENSOR	REL. FANS
1	NO	NO	NO	E1, E1
2	NO	NO	NO	E1, E1
3	NO	NO	NO	E1, E1
4	NO	NO	NO	E1, E1

**NEYPAD DISPLAY DETAIL**

**NEYPAD COMMUNICATIONS DETAILS**

DDC CODE: VERSION - KVS V 3.00  
ASK0400111N0410N00NN05  
VFD CODE: 02-00-00-00

Vari-Flow (Variable Volume)  
Electrical - Field Wiring Schematic  
Kitchen Social - Montgomery, OH R2

Panel Mark: DCKV-1  
Location: Remote Cabinet

**POWER WIRING FOR VARI-FLOW CONTROL SYSTEM**

**CONTROL WIRING FOR Vari-Flow CONTROL SYSTEM**

**NEYPAD LOCATION: Hood Cabinet Right Side**

**SENSOR LOCATION**

KH-1 Cookline Section 1	CAPTURE TANK
KH-1 Cookline Section 2	CAPTURE TANK
KH-1 Cookline Section 3	CAPTURE TANK
KH-2 Prep Section 1	CAPTURE TANK

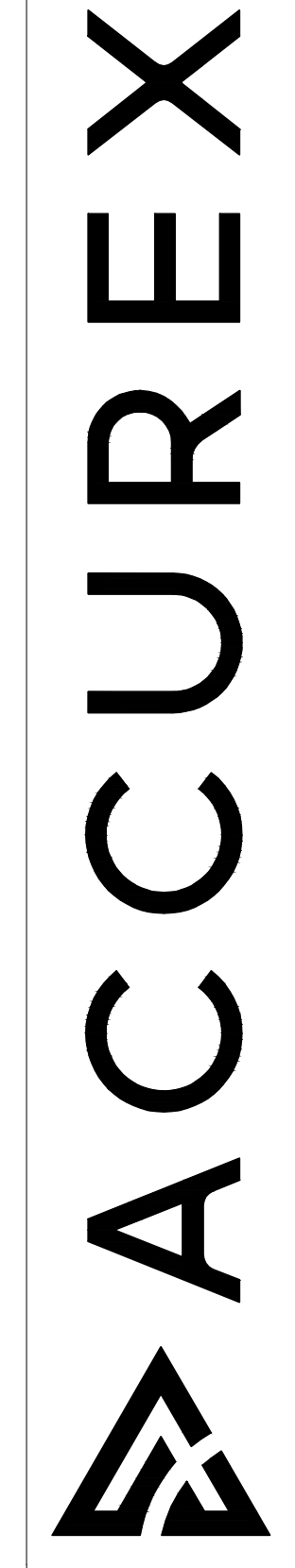
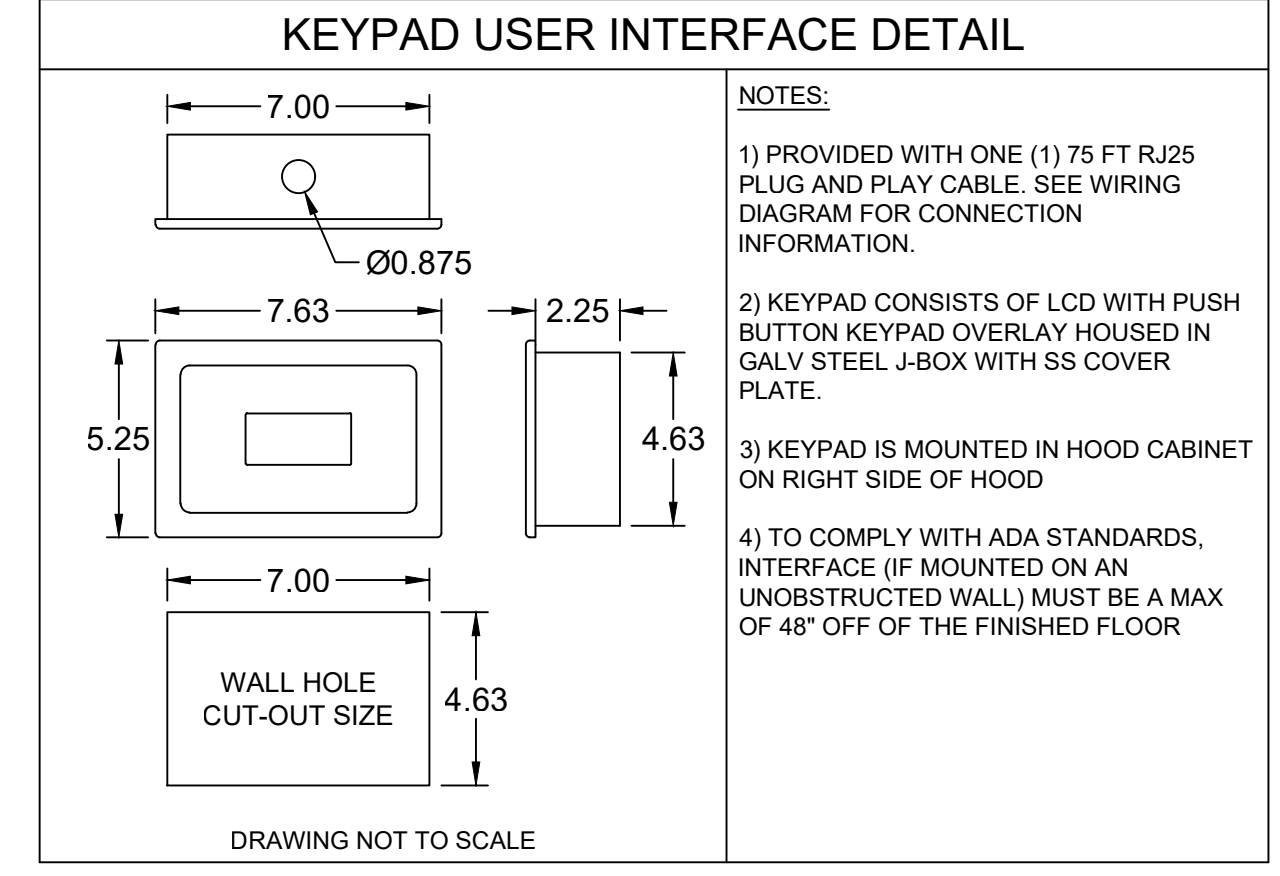
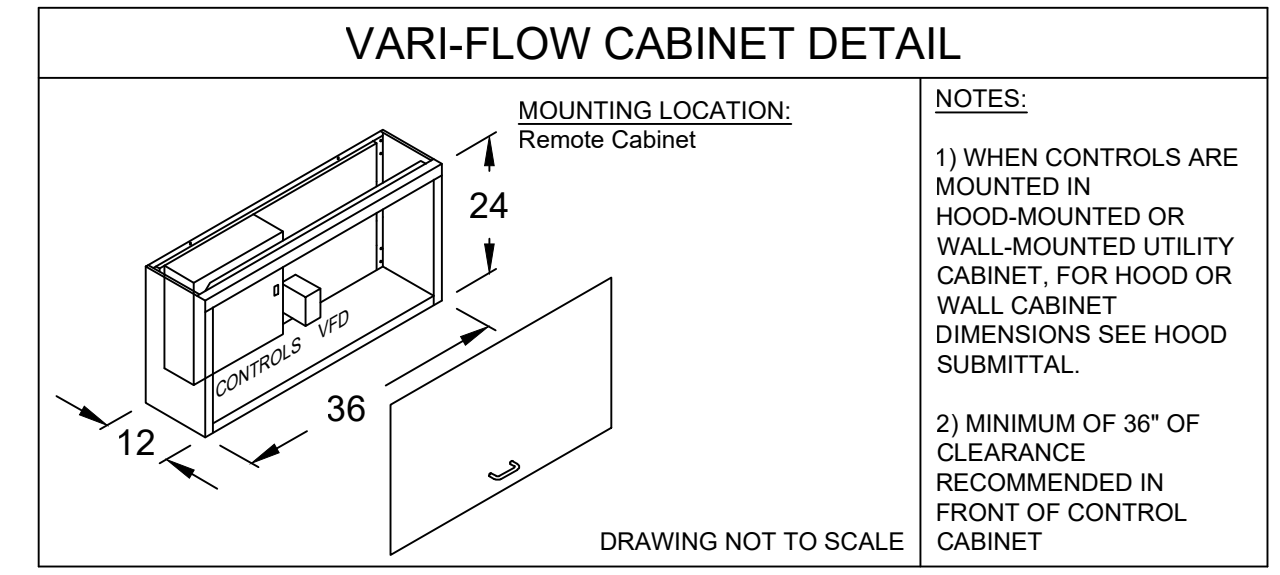
**POSSIBLE SENSOR LOCATIONS:**

Shipped Loose for Field Installation

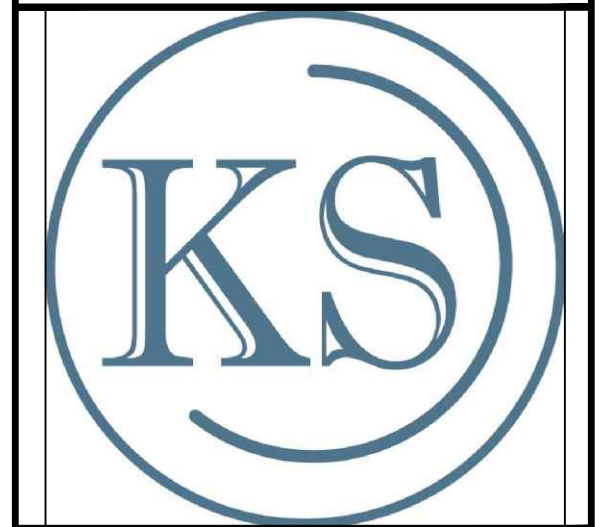
NOTE: ALL SENSORS TO BE WIRED INDEPENDENTLY

**Notes(s):**

- All wiring to be done by certified and qualified persons and must be wired to all local & national codes.
- Exhaust and supply fan(s) shown as typical for representation of the fan. For exhaust or supply fan detail see fan submittal.
- Exhaust and/or supply fans may be shown more than once for purpose of separating power versus control wiring.
- Power wiring is the responsibility of the electrician. Control wiring is the responsibility of controls contractor. If there is no controls contractor, both power and control wiring is the responsibility of the electrician.
- All ground wiring not shown on above diagram for clarity.
- For further instructions please see the Vari-Flow Installation and Operations Manual that was shipped with panel, or contact ACCUREX's Kitchen Ventilation team at 1-800-371-6858



PROJECT: 3/9/2023  
KITCHEN SOCIAL - MONTGOMERY, OH R2  
MARK: DCKV-1  
ACCUREX WESTERN PA WV  
MIKE PARSLEY  
MIKE.PARSLEY@ACCUREX.COM  
(614)378-4350



KITCHEN SOCIAL  
9340 MONTGOMERY ROAD  
MONTGOMERY, OH 45242

REVISIONS:  
2023.02.08-FIXED FSE-3.2 PAGE AND ADDED BAR ELEVATIONS & ACCURATE HOOD SYMBOLS SHOWN.  
2023.02.23-ADDED WALK-IN DWGS  
2023.03.03-NEW BASE-DISH AREA REVISED BAR PER NEW BASE.  
2023.03.06-REVISIONS PER ABBOT MARK UP  
2023.03.07-CLEAN UP OF SET PER REVIEW. REMOVED BEER COOLER WALK-IN DWG (FSE-8.2).  
2023.03.10-CHG'D D4, R2,R3, D4 NOW A GAS FIRED UNIT. NEW HOOD DRAWINGS (REV.2-DISH HOOD EXHAUST COLLAR CHANGE).  
2023.03.24- REV 1: BUILDING COMMENTS

FOR REFERENCE ONLY

CONTACT: FRANK THOMPSON

SCALE: 3/4"=1'0"  
0 6" 1' 2'

PROJECT: KITCHEN SOCIAL MONTGOMERY

DRAWN BY: S. KNAPP

DATE: 2023-03-24

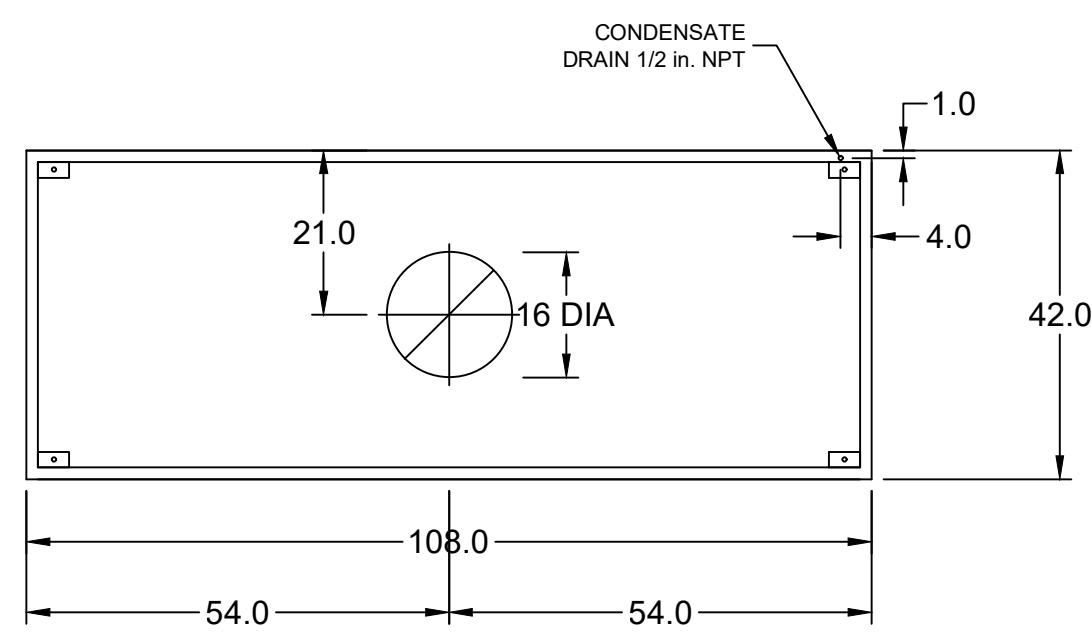
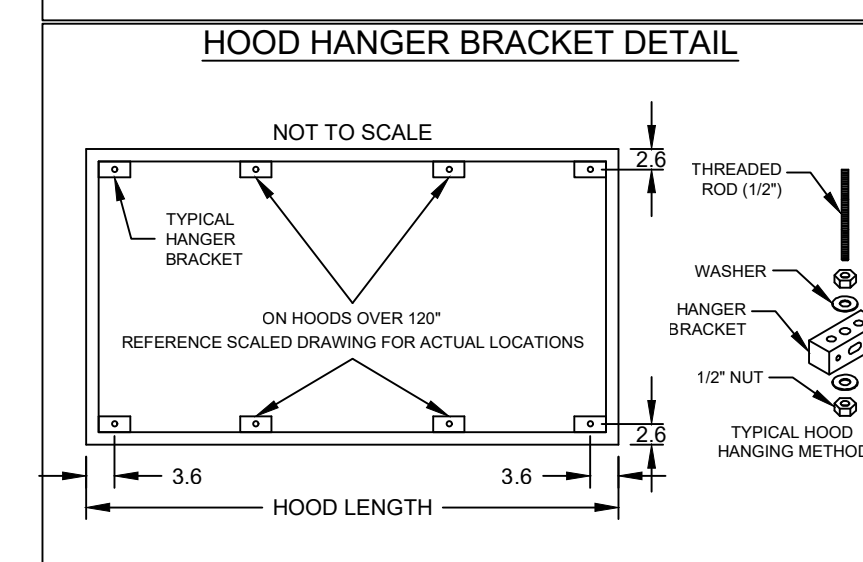
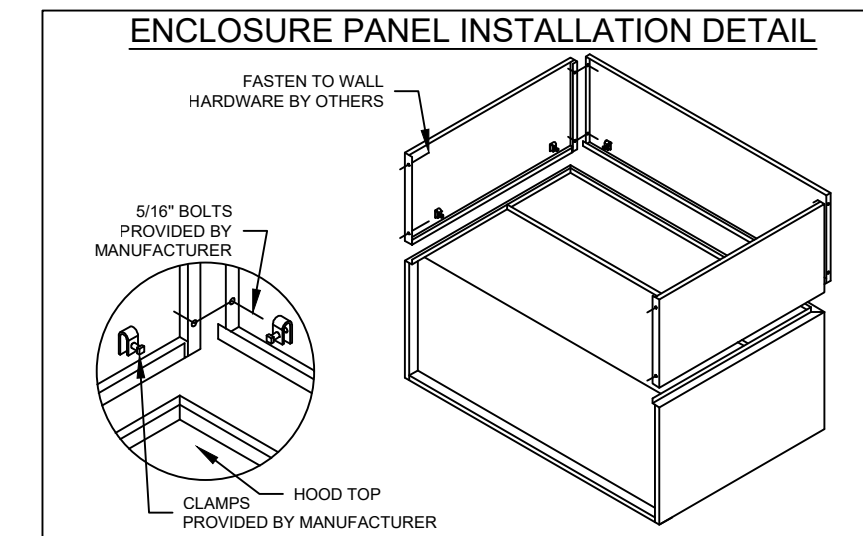
HOOD 9

FSE-7.9

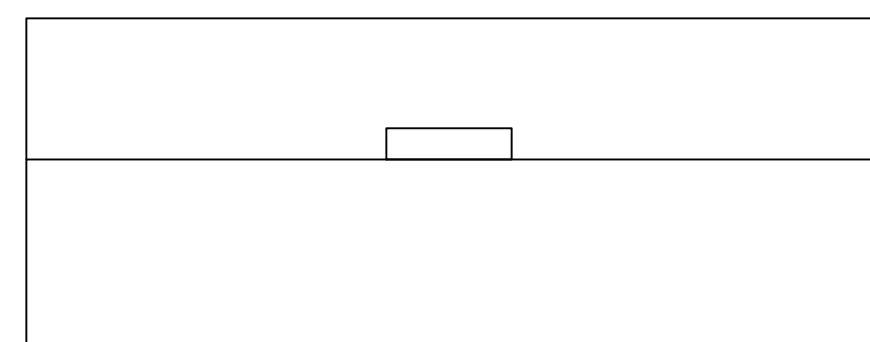
HOOD INFORMATION																	
HOOD NO.	MARK	MODEL	HOOD DIMENSIONS (IN.)			HOOD CONSTR.	COOKING LOAD / DUTY RATING	TOTAL CFM	EXHAUST COLLAR(S)				SUPPLY		TOTAL WEIGHT LBS.	SECTION LOCATION	
			LENGTH	WIDTH	HEIGHT				WIDTH	LENGTH	DIA.	CFM	S.P.	MUA CFM			AC CFM
1	KH-3 DISH	XD1-108-S	108 0	42	24	430 SS 100%		1350			16	1350	0.112			165	SINGLE

HOOD INFORMATION												
HOOD NO.	MARK	LIGHTING DETAILS			BAFFLE FILTRATION DETAILS			UTILITY CABINET(S)				
		FIXTURE TYPE	QTY	FOOT CANDLES	TYPE / MODEL	QTY	SIZE (IN.)	LOCATION	FIRE SYSTEM	SIZE	MODEL	CONTROLS
		BULB / LAMP INFO			MATERIAL	L	H		TYPE			INTERFACE
1	KH-3 DISH											

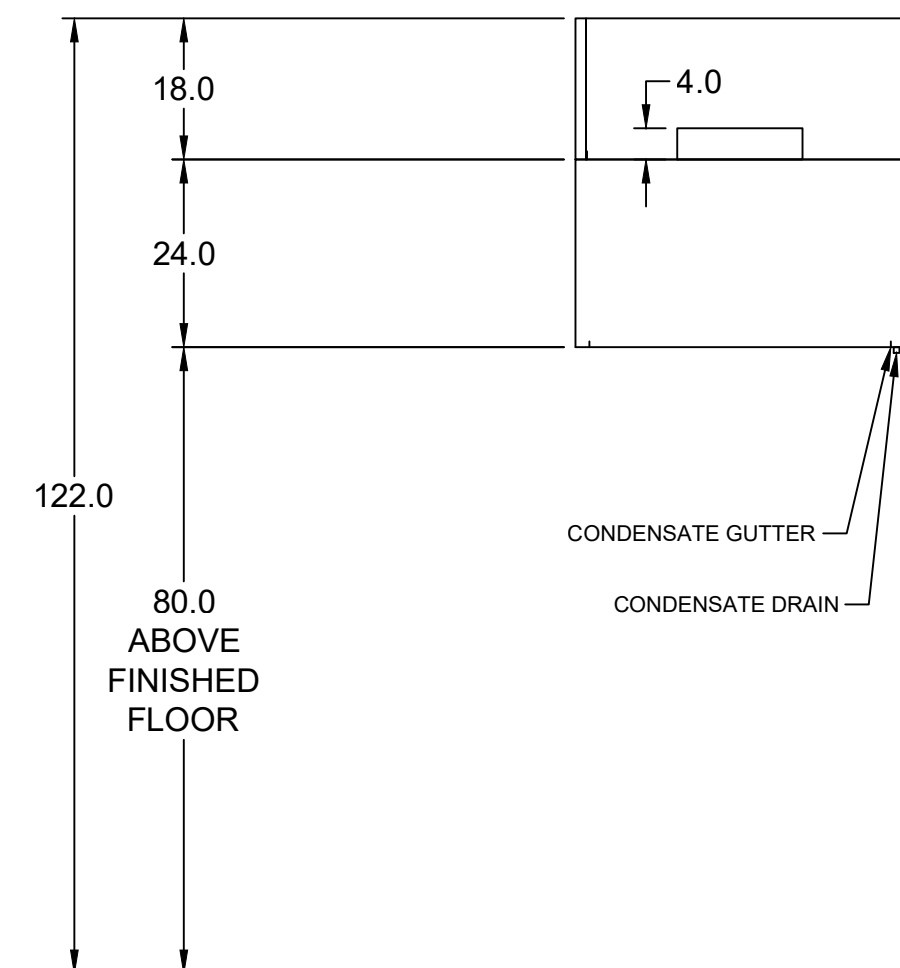
HOOD OPTIONS  
18 IN HIGH CEILING ENCLOSURES - FRONT LEFT - FIELD INSTALLED  
FACTORY MOUNTED EXHAUST COLLAR(S)



MARK: KH-3 Dish - SECTION 1  
PLAN VIEW

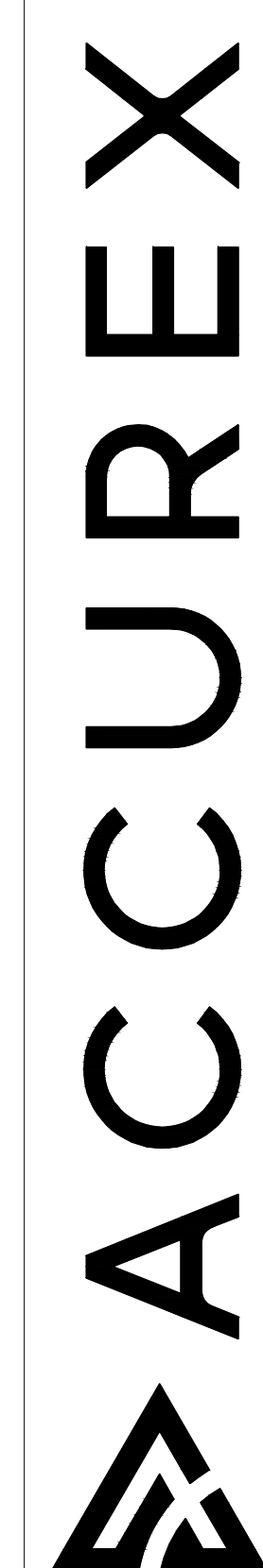


MARK: KH-3 Dish - SECTION 1  
ELEVATION VIEW



MARK: KH-3 Dish  
SECTION VIEW

ACCUREX WESTERN PA WV  
MIKE PARSLEY  
MIKE.PARSLEY@ACCUREX.COM  
(614)378-4350



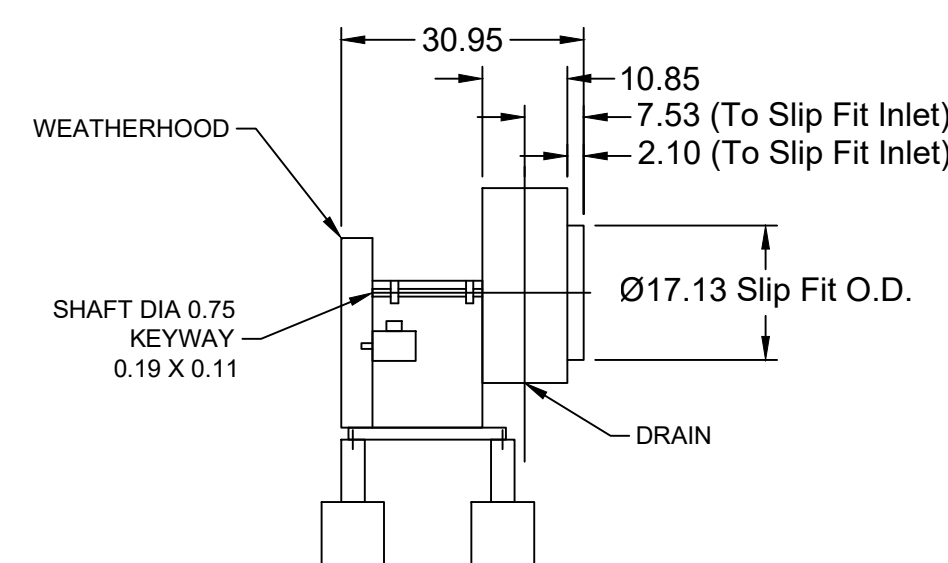
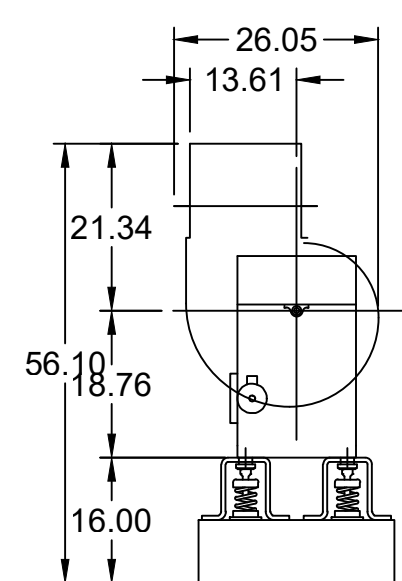
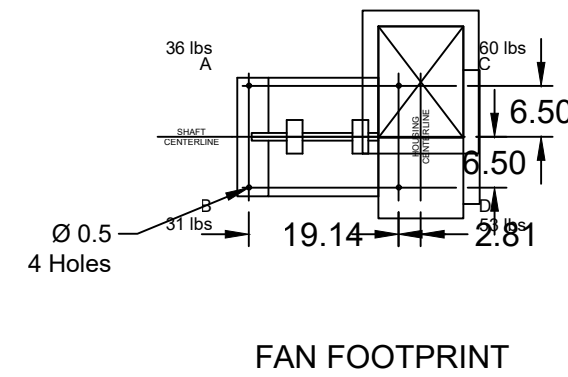
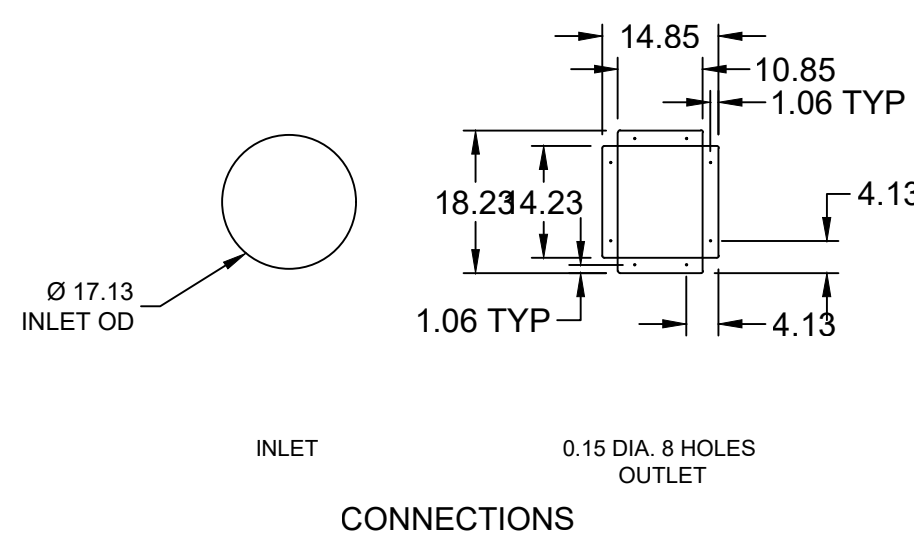
PROJECT: 3/9/2023  
MARK: KH-3 DISH

Universal Single Width Fan

MARK INFORMATION		FAN INFORMATION						MOTOR INFORMATION					
QTY	MARK	MODEL	VOLUME (CFM)	TOTAL EXTERNAL SP (IN WG)	FAN RPM	OPERATING POWER (HP)	WEIGHT (LB.)	SIZE (HP)	V/C/P	ENCLOSURE	MOTOR RPM	WINDINGS	NEC FLA*
1	EF-2 Dish	XUEF-13	1,350	0.751	1,390	0.35	175	0.75	115/60/1	OP	1725	1	13.8

\*NEC FLA - Based on table 430.250 or 430.248 of National Electrical Code 2020. Actual motor FLA may vary for sizing thermal overload, consult factory"

EF-2 Dish : SELECTED OPTIONS AND ACCESSORIES
Finish - Galvanized
Galvanized Finish on Steel Components
Switch - NEMA-3R, Toggle, For Indoor or Outdoor Use, Mounted and Wired
Direct Mount Isolators, Isolator-Spring, Restrained, 2 Inch, Indoor / Outdoor Use, Base Coating - N/A
Discharge Position - UB
Bearings - L(10) Life of 80k Hours
UL/cUL-705 - "Power Ventilators"
Polished Steel Shaft
Access Door - Bolted
Damper, Gravity, WD-340, Galv. Blade, 10.7x14.4, Parallel, w/ Mill Finish
Drain Connection - 1" Drain Hole, Unthreaded
Inlet Connection, Slip Fit
Outlet Flange, Punched
Weatherhood - Galvanized Construction
Inlet Guard - Inlet Guard, galvanized
Extended Lube Lines - Nylon



SIDE VIEW

\*SIDE VIEW IS VIEWED FROM DRIVE SIDE  
 \*FANS ARE SUBJECT TO ± 125 INCH TOLERANCE  
 \*DUE TO CONTINUAL IMPROVEMENTS DIMENSIONS MAY CHANGE

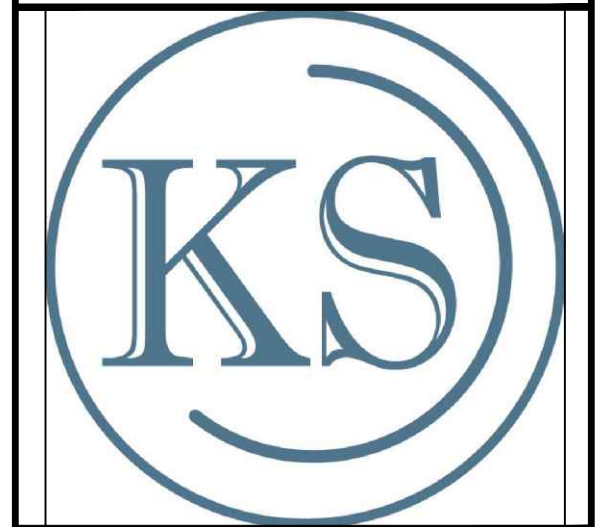
END VIEW

\*OUTLET DIMENSION SHOWS FAN WITH DAMPER OPERATING CLEARANCE

PROJECT: 3/9/2023  
 MARK: KITCHEN SOCIAL - MONTGOMERY, OH R2  
 EF-2 DISH

ACCUREX WESTERN PA WV  
 MIKE PARSLEY  
 MIKE.PARSLEY@ACCUREX.COM  
 (614)378-4350

**ACCUREX**



KITCHEN SOCIAL  
 9340 MONTGOMERY ROAD  
 MONTGOMERY, OH 45242

REVISIONS:

- 2023.02.08-FIXED FSE-3.2 PAGE AND ADDED BAR ELEVATIONS & ACCURATE HOOD SYMBOLS SHOWN.
- 2023.02.23-ADDED WALK-IN DWGS
- 2023.03.03-NEW BASE-DISH AREA REVISED BAR PER NEW BASE.
- 2023.03.06-REVISIONS PER ABBOT MARK UP
- 2023.03.07-CLEAN UP OF SET PER REVIEW. REMOVED BEER COOLER WALK-IN DWG (FSE-8.2).
- 2023.03.10-CHG'D D4, R2,R3. D4 NOW A GAS FIRED UNIT. NEW HOOD DRAWINGS (REV.2-DISH HOOD EXHAUST COLLAR CHANGE).
- 2023.03.24- REV 1: BUILDING COMMENTS

FOR REFERENCE ONLY

CONTACT: FRANK THOMPSON

SCALE: 3/4"=1'0"



PROJECT: KITCHEN SOCIAL MONTGOMERY

DRAWN BY: S. KNAPP

DATE: 2023-03-24

HOOD 10

FSE-7.10