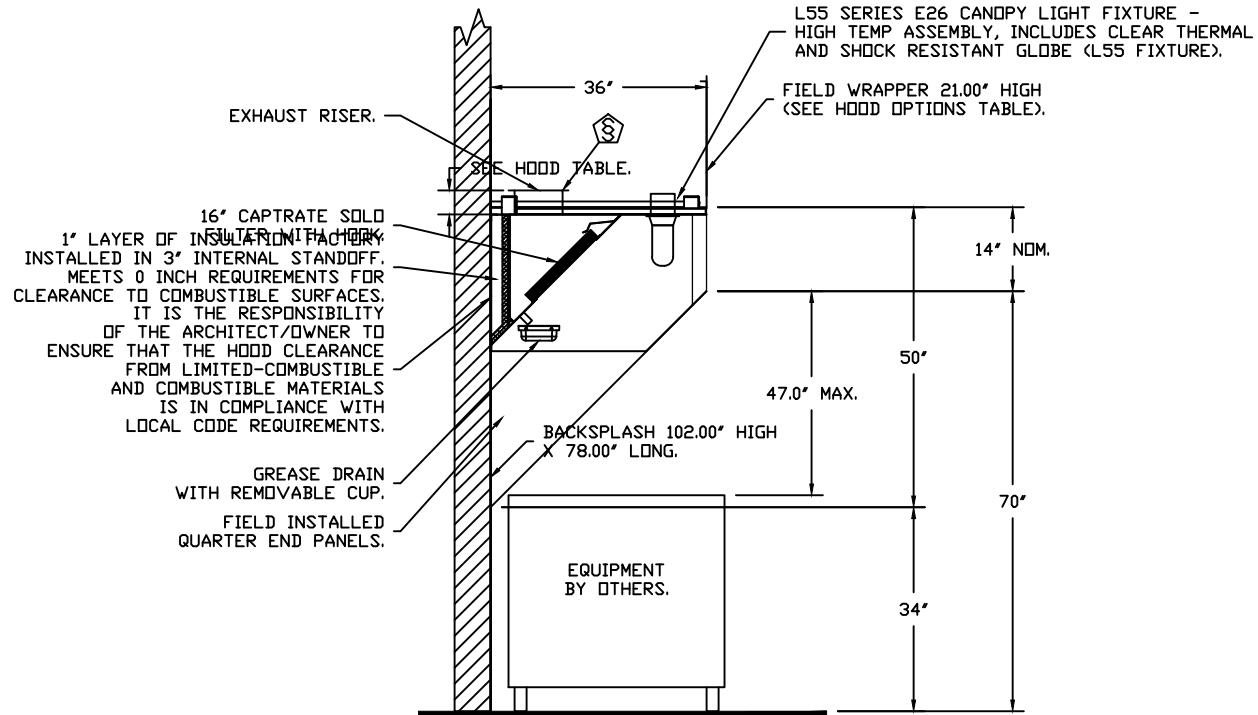


CAPTIVE-AIRE HOODS ARE BUILT IN COMPLIANCE WITH UL 710 AND NFPA 96 AND ARE RECOGNIZED BY ONE OR MORE OF THE FOLLOWING:

ETL SANITATION LISTED

ETL LISTED FILE# 3054804-001

HOOD SYSTEM IS FABRICATED & DESIGNED PER UL-710 STANDARDS



SECTION VIEW - MODEL 3650BD-2
HOOD - #1 (HD-1 (FRY))



CAPTIVE-AIRE

JOB Skyline (Fort Wright, KY)	
LOCATION Fort Wright, KY, 41011	
DATE 10/1/2021	JOB # 4942887
DWG # 2	DRAWN BY
REV.	SCALE 3/8" = 1'-0"

EXHAUST FAN INFORMATION - JOB#4942887

FAN UNIT NO	TAG	QTY	FAN UNIT MODEL #	MANUFACTURER	CFM	ESP	RPM	MOTOR ENCL	HP	BHP	PHASE	VOLT	FLA	DISCHARGE VELOCITY	WEIGHT (LBS)	SONES
1	KEF 1	1	DU50HFA	CAPTIVEAIRE	600	0.600	1121	TEAD-ECM	0.500	0.1420	1	115	6.3	228 FPM	77	9.1

FAN OPTIONS

FAN UNIT NO	TAG	QTY	DESCRIPTION
1	KEF 1	1	GREASE BOX.
		1	ECM WIRING PACKAGE - PWM SIGNAL FROM ECPM03 PREWIRE (TELCO MOTOR), CCW ROTATION.
		1	2 YEAR PARTS WARRANTY.

FAN ACCESSORIES

FAN UNIT NO	TAG	EXHAUST			SUPPLY			
		GREASE CUP	GRAVITY DAMPER	WALL MOUNT	SIDE DISCHARGE	GRAVITY DAMPER	MOTORIZED DAMPER	WALL MOUNT
1	KEF 1	YES						

CURB ASSEMBLIES

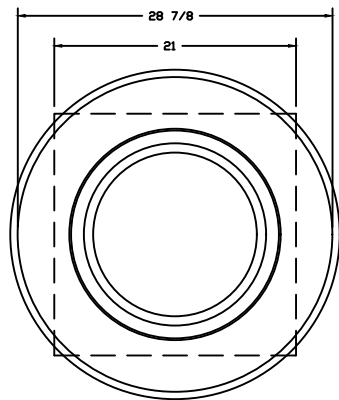
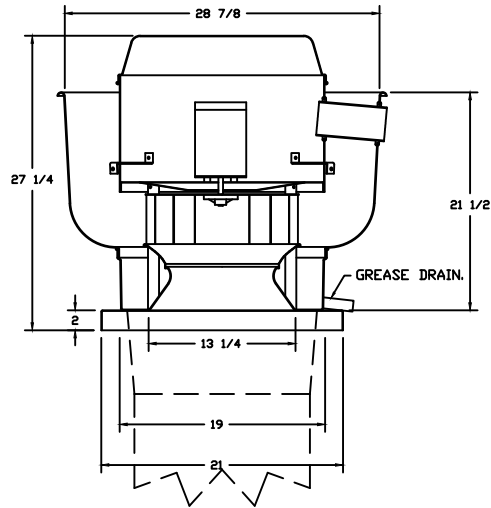
NO	ON FAN	TAG	WEIGHT	ITEM	SIZE
1	# 1	KEF 1	34 LBS	CURB	19.500"W X 19.500"L X 24.000"H ALONG LENGTH, RIGHT VENTED HINGED.



CAPTIVEAIRE

<i>JOB</i> Skyline (Fort Wright, KY)	
<i>LOCATION</i> Fort Wright, KY, 41011	
<i>DATE</i> 10/1/2021	<i>JOB #</i> 4942887
<i>DWG #</i> 3	<i>DRAWN BY</i>
<i>REV.</i>	<i>SCALE</i> 3/8' = 1'-0'

FAN #1 DU50HFA - EXHAUST FAN (KEF 12)



TOP VIEW

FEATURES:

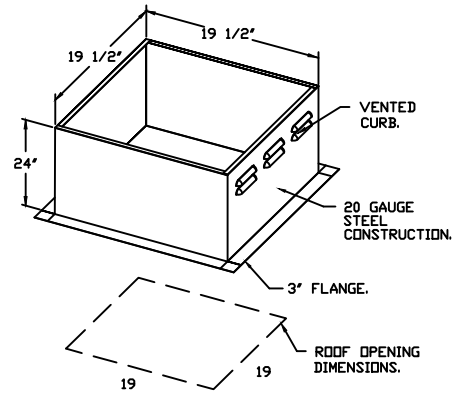
- DIRECT DRIVE CONSTRUCTION (NO BELTS/PULLEYS).
- ROOF MOUNTED FANS.
- RESTAURANT MODEL.
- UL705 AND UL762 AND ULC-S645
- VARIABLE SPEED CONTROL.
- INTERNAL WIRING.
- THERMAL OVERLOAD PROTECTION (SINGLE PHASE).
- HIGH HEAT OPERATION 300°F (149°C).
- GREASE CLASSIFICATION TESTING.
- NEMA 3R SAFETY DISCONNECT SWITCH.

NORMAL TEMPERATURE TEST
 EXHAUST FAN MUST OPERATE CONTINUOUSLY WHILE EXHAUSTING AIR AT 300°F (149°C) UNTIL ALL FAN PARTS HAVE REACHED THERMAL EQUILIBRIUM, AND WITHOUT ANY DETERIORATING EFFECTS TO THE FAN WHICH WOULD CAUSE UNSAFE OPERATION.

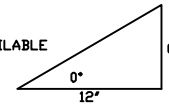
ABNORMAL FLARE-UP TEST
 EXHAUST FAN MUST OPERATE CONTINUOUSLY WHILE EXHAUSTING BURNING GREASE VAPORS AT 600°F (316°C) FOR A PERIOD OF 15 MINUTES WITHOUT THE FAN BECOMING DAMAGED TO ANY EXTENT THAT COULD CAUSE AN UNSAFE CONDITION.

OPTIONS

GREASE BOX.
 ECM WIRING PACKAGE - PWM
 SIGNAL FROM ECM03 PREWIRE
 (TELCO MOTOR), CCW ROTATION.
 2 YEAR PARTS WARRANTY.



PITCHED CURBS ARE AVAILABLE FOR PITCHED ROOFS.
 SPECIFY PITCH:
 EXAMPLE: 7/12 PITCH = 30° SLOPE.

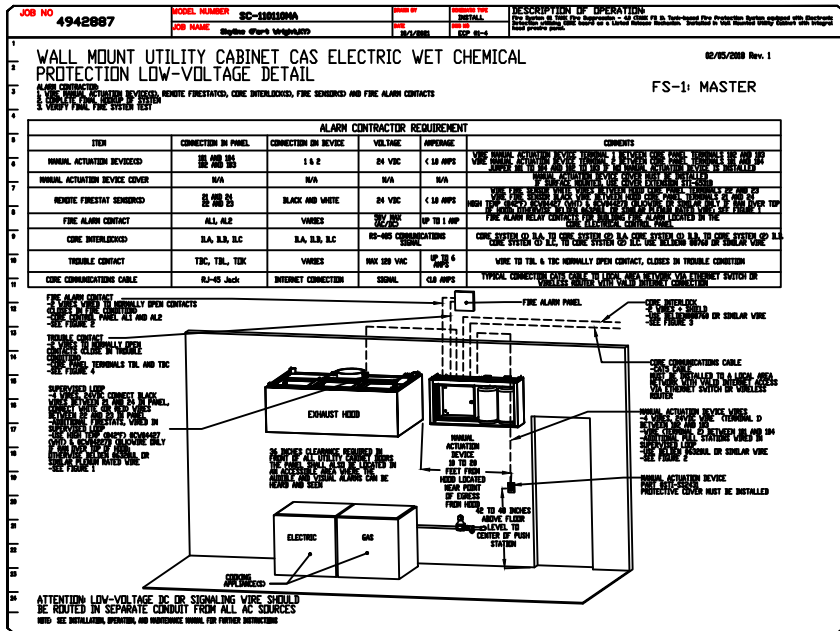
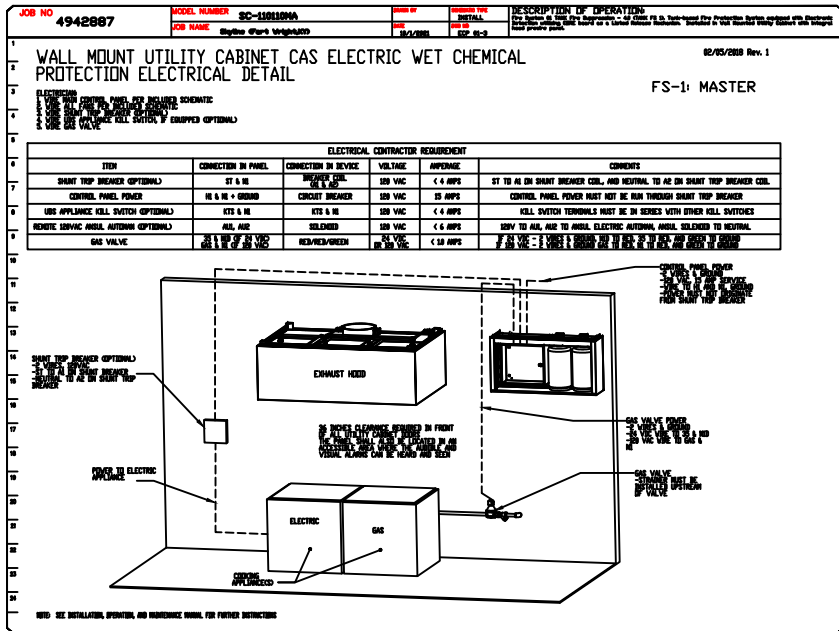
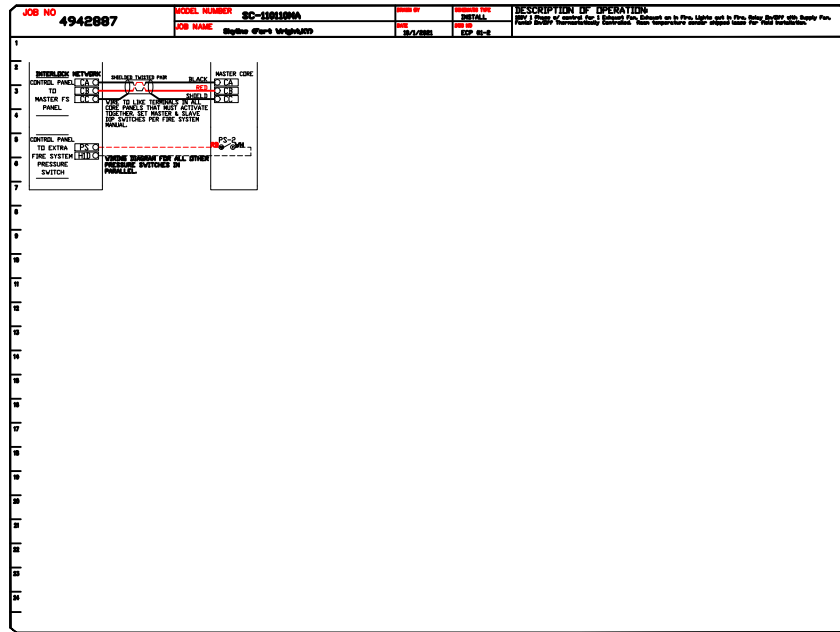
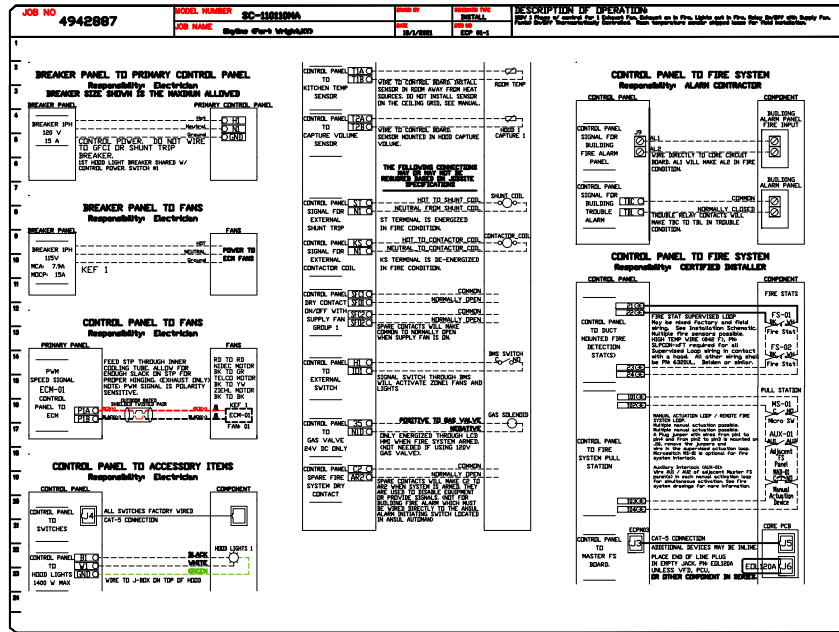


CAPTIVEAIRE

JOB Skyline (Fort Wright, KY)	
LOCATION Fort Wright, KY, 41011	
DATE 10/1/2021	JOB # 4942887
DWG # 4	DRAWN BY
REV.	SCALE 3/8" = 1'-0"

ELECTRICAL PACKAGE - JOB#4942887

NO	TAG	PACKAGE #	LOCATION	SWITCHES		OPTION	FANS CONTROLLED					
				LOCATION	QUANTITY		FAN TAG	TYPE	Ø	HP	VOLT	FLA
1	ECF 1	SC-110109A	WALL UTILITY CABINET RIGHT	13 - WALL UTILITY CAB. ON RIGHT END	1 LIGHT 1 FAN	SMART CONTROLS THERMOSTATIC CONTROL W/ RELAY ON/OFF WITH SUPPLY	KEF 1	EXHAUST	1	0.500	115	6.3



JOB Skyline (Fort Wright, KY)	
LOCATION Fort Wright, KY, 41011	
DATE 10/1/2021	JOB # 4942887
DWG # 5	DRAWN BY
REV.	SCALE 1/4" = 1'-0"