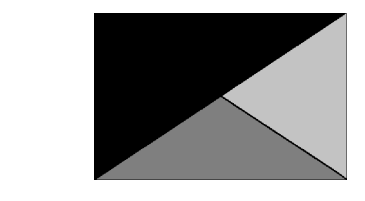




**Chick-fil-A**  
**Chick-fil-A**  
 5200 Buffington Road  
 Atlanta, Georgia  
 30349-2998



**Kurzynske & Associates**  
 2705 Lebanon Pike - Suite One  
 Nashville, Tennessee 37214  
 Telephone: (615) 255-5203



01/17/2024

**CHICK-FIL-A**  
**WENDELL FORD EXPY &**  
**HWY 54 FSU**  
**3123 KY-54**  
**OWENSBORO, KY 42303**

**FSR#05059**

BUILDING TYPE / SIZE: P13 LSR LRG  
 RELEASE: 22.05  
 PRINTED FOR: CONSTRUCTION  
 REVISION SCHEDULE

NO.	DATE	DESCRIPTION
5	01/03/2024	DESIGNNOTES

CONSULTANT PROJECT # 22096.EH.S  
 DATE 05/26/2022  
 DRAWN BY BLM  
 MECHANICAL FLOOR PLAN  
 SHEET NUMBER

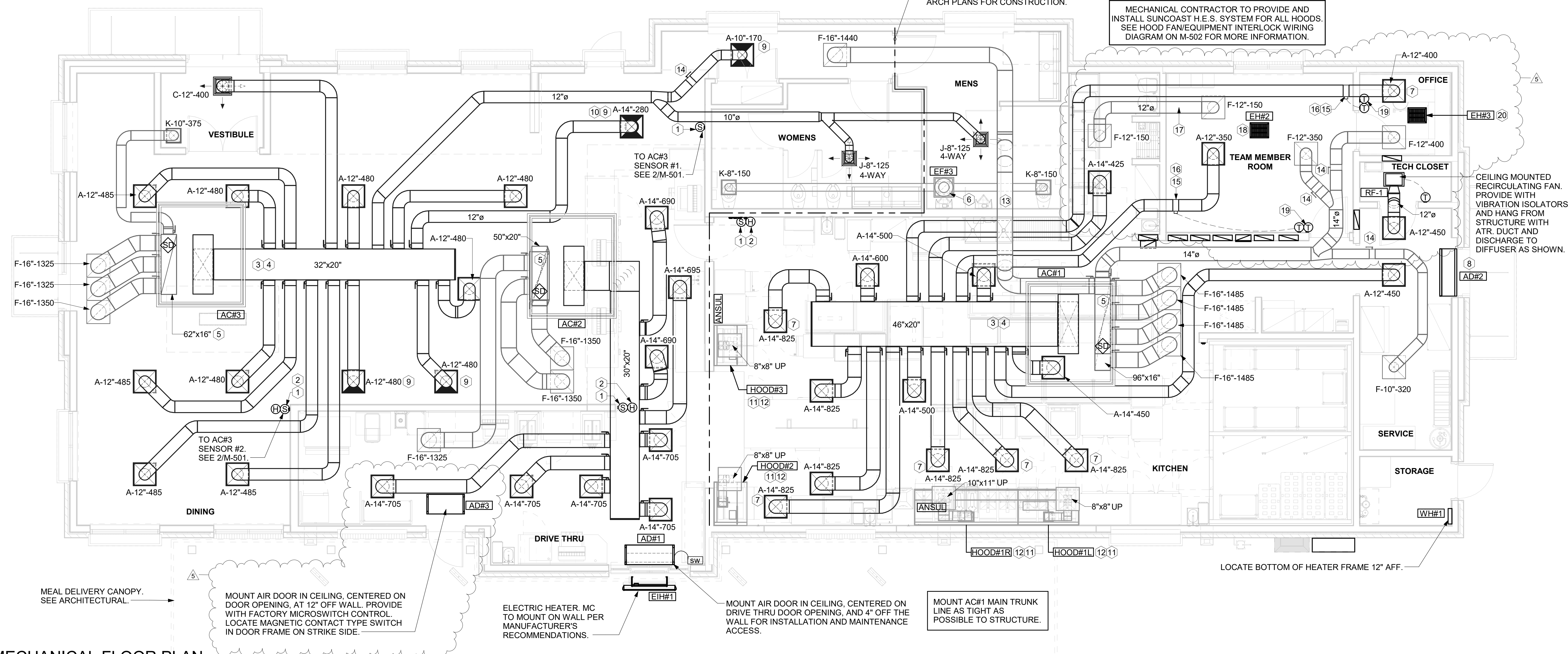
**M-201**

**H.E.S. SYSTEM**  
 MECHANICAL CONTRACTOR TO PROVIDE AND INSTALL SUNCOAST H.E.S. SYSTEM FOR ALL HOODS. SEE HOOD FAN/EQUIPMENT INTERLOCK WIRING DIAGRAM ON M-502 FOR MORE INFORMATION.

SEAL PENETRATIONS IN SMOKE DRAFT CURTAIN AIR TIGHT. SEE ARCH PLANS FOR CONSTRUCTION.

CEILING MOUNTED RECIRCULATING FAN. PROVIDE WITH VIBRATION ISOLATORS AND HANG FROM STRUCTURE WITH ATR. DUCT AND DISCHARGE TO DIFFUSER AS SHOWN.

LOCATE BOTTOM OF HEATER FRAME 12" AFF.



**1 MECHANICAL FLOOR PLAN**  
 1/4" = 1'-0"

**SHEET NOTES**

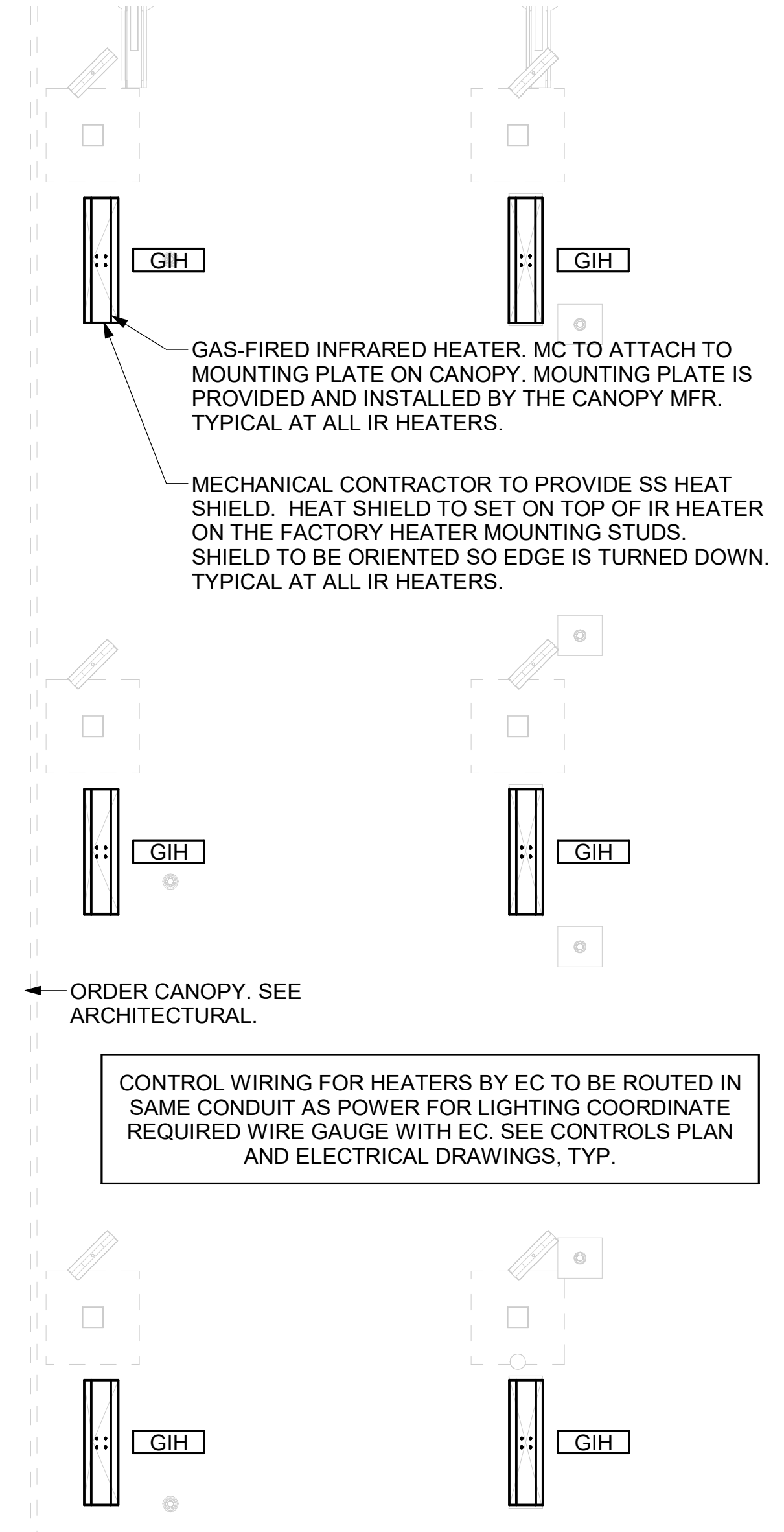
- DUCT SIZES SERVING DIFFUSERS AND GRILLES ARE SAME SIZE AS DIFFUSER OR GRILLE NECK UNLESS NOTED OTHERWISE.
- FLEXIBLE DUCT NOT SHOWN FOR CLARITY. ALL TAKE-OFFS SHALL INCLUDE FLEXIBLE DUCT. SEE DETAIL 1/M-401 FOR FLEXIBLE DUCT INSTALLATION REQUIREMENTS.
- FOR SUPPLY AND RETURN OPENINGS, CUT OPENING AROUND DUCT DROPS 4" TO 8" MINIMUM (EXCEPT WHERE STRUCTURE PREVENTS THIS). SEE ARCHITECTURAL AND STRUCTURAL DRAWINGS.
- AT EACH PIECE OF ROOF EQUIPMENT, PROVIDE A PLASTIC ENGRAVED LABEL WITH 1" HIGH WHITE LETTERS ON A BLACK BACKGROUND. THE LABEL IS TO HAVE A SELF ADHESIVE BACKING.
- UNLESS NOTED OTHERWISE, MC TO ADJUST ALL DIFFUSER AIR PATTERN DEFLECTORS TO THROW HORIZONTALLY ALONG THE CEILING.
- SUPPORT ALL DUCT DROPS AT BASE OF DROP FROM STRUCTURE.

**CANOPY GENERAL NOTES**

- COORDINATE NEW WORK WITH EXISTING CONDUIT, STRUCTURE, AND PIPING. FIELD VERIFY EXISTING CONDITIONS PRIOR TO START OF WORK.
- COORDINATE LOCATION AND RESPONSIBILITIES FOR UNDERGROUND PIPING AND ASSOCIATED TRENCHING WITH GENERAL CONTRACTOR PRIOR TO START OF WORK.
- EXPOSED GAS PIPING SHALL BE PAINTED BY GENERAL CONTRACTOR.
- ACTUAL NUMBER OF GAS INFRARED HEATERS WILL BE DETERMINED BY SITE-SPECIFIC CANOPY LAYOUT AND EQUIPMENT LOCATIONS, AS INDICATED ON ARCHITECTURAL PLANS.
- CONTROL WIRING FOR HEATERS BY EC. COORDINATE REQUIRED WIRE GAUGE WITH EC. SEE CONTROLS PLAN AND ELECTRICAL DRAWINGS, TYP.

**KEY NOTES**

- MOUNT REMOTE SENSOR ON WALL AT 5'-0" AFF U.N.O. AND ROUTE WIRING BACK TO SUNCOAST TEMP CONTROL PANEL. FOR SENSOR SERVING AC#1, COORDINATE EXACT LOCATION WITH KITCHEN EQUIPMENT.
- MOUNT REMOTE HUMIDITY SENSOR ON WALL ABOVE SPACE TEMP SENSOR AND ROUTE WIRING TO UNIT ON ROOF.
- BRANCH TAKE-OFFS ARE NOT TO BE LOCATED CLOSER THAN 3'-0" FROM ANY OFFSET OR ELBOW INCLUDING THE SUPPLY AIR DROP FROM CURB.
- TRANSITION IN VERTICAL DROP FROM FULL SIZE OF CURB OPENING TO SIZE SHOWN. TRANSITION WITHIN CURB WHERE REQUIRED TO AVOID STRUCTURE. WHERE THE DUCT IS SHOWN OFFSET HORIZONTALLY, PROVIDE ELBOW WITH TURNING VANES. FOR DROPS WITH NO HORIZONTAL OFFSET, EXTEND DROP BELOW STRUCTURE TO ACCOMMODATE START COLLARS. TERMINATE DROP A MINIMUM 0'-10" ABOVE CEILING (0'-4" ABOVE CEILING IF REQUIRED TO ACCOMMODATE TAKE-OFF AND DROP IS NOT LOCATED DIRECTLY ABOVE A LIGHT).
- TRANSITION IN VERTICAL DROP FROM FULL SIZE OF CURB OPENING TO SIZE SHOWN. SEE DETAIL ON SHEET M-401 FOR REQUIRED TRANSITION GEOMETRY. TRANSITION WITHIN CURB WHERE REQUIRED TO AVOID STRUCTURE. WHERE THE DUCT IS SHOWN OFFSET HORIZONTALLY, PROVIDE ELBOW WITHOUT TURNING VANES. FOR DROPS WITH NO HORIZONTAL OFFSET, EXTEND DROP BELOW STRUCTURE TO ACCOMMODATE START COLLARS. TERMINATE DROP A MINIMUM 0'-10" ABOVE CEILING (0'-4" ABOVE CEILING IF REQUIRED TO ACCOMMODATE TAKE-OFF AND DROP IS NOT LOCATED DIRECTLY ABOVE A LIGHT).
- 10X10 EXHAUST DUCT DOWN.
- MECHANICAL CONTRACTOR TO ADJUST PATTERN DEFLECTORS TO THROW STRAIGHT DOWN.
- AIR CURTAIN MOUNTED OVER DOOR HEADER AT 7'-2" AFF TO BOTTOM OF UNIT. PROVIDE BLOCKING IN WALL BEHIND AIR CURTAIN. USE FACTORY PRE-PUNCHED MOUNTING HOLES ON BACK SIDE OF AIR CURTAIN ONLY. ATTACH AIR CURTAIN TO WALL USING 3/8" LAG BOLTS. LENGTH AS REQUIRED TO FULLY PENETRATE BLOCKING. LOCATE MAGNETIC CONTACT TYPE MICROSWITCH IN DOOR FRAME ON STRIKE SIDE.
- MECHANICAL CONTRACTOR TO CLOSE THE AIR PATTERN DEFLECTORS ON SHADED SIDE.
- PROVIDE 14" TO 12" TRANSITION ON COLLAR OF DIFFUSER.
- HALTON KBD DAMPER AT HOOD COLLAR BY MECHANICAL CONTRACTOR. SEE HOOD ELEVATIONS ON M-301 FOR LOCATION.
- SEE ELEVATIONS ON M-301 FOR CJ FAN DUCTING REQUIREMENTS.
- ROUTE DUCT WITHIN STRUCTURE.
- RUSKIN MDRS25 MVD W/LOCKING QUADRANT HANDLE.
- YOUNG REGULATOR 12" MODEL 4075-LMB24-IF ROUND ZONE DAMPER WITH MODEL T-720A AUTOMATIC CHANGE-OVER THERMOSTAT. MOUNT TSTAT AT 4'-0" AFF. POWER OPEN/SPRING CLOSE. ADJUST MECHANICAL LIMIT OR 50 CFM MINIMUM AIRFLOW. CHICK-FIL-A HAS A NATIONAL ACCOUNT WITH TOM BARROW COMPANY FOR THE ZONE DAMPER. THE MECHANICAL CONTRACTOR SHALL PURCHASE THE ZONE DAMPER DIRECTLY FROM TOM BARROW COMPANY. CONTACT MR. SCOTT GEORGE AT 404-351-1010, FOR PRICING AND AVAILABILITY. ZONE DAMPERS NOT PURCHASED THRU TOM BARROW COMPANY WILL NOT BE ACCEPTED.
- PROVIDE 120V/24V 50 VA TRANSFORMER TO SERVE YOUNG REGULATOR ZONE DAMPER ACTUATOR AND THERMOSTAT. POWER TRANSFORMER FROM 120V POWER CIRCUIT THAT REMAINS LIVE 24/7. PROVIDE ALL NECESSARY WIRING AND COMPONENTS TO MAKE CONTROL AND POWER CONNECTIONS TO TRANSFORMER, ZONE DAMPER, AND THERMOSTAT PER MANUFACTURER'S IOM. THERE IS NO INTERLOCKING OR MONITORING BY WAY OF THE S.E.C. CFA-500 PANEL. SEE WIRING DIAGRAMS ON M-501.
- TRANSFER AIR DUCT, NO BALANCING DAMPERS AT GRILLES.
- CEILING MOUNTED ELECTRIC HEATER. HEATER SPEC: MARKEL MODEL HF3386D-RP-T, 3 KW CEILING MOUNTED HEATER, 208/160. PROVIDE WITH FACTORY WALL MOUNT THERMOSTAT, INTEGRAL DISCONNECT, AND 2X2 T-BAR MOUNTING KIT. CONTRACTOR TO CONTACT SCOTT GEORGE OF TOM BARROW COMPANY AT 404-351-1010 TO PURCHASE EH#2. HEATER NOT PURCHASED THRU TOM BARROW COMPANY WILL NOT BE ACCEPTED.
- LOCATE THERMOSTAT FOR CEILING MOUNTED ELECTRIC HEATER AT 48" AFF NEXT TO VAV DAMPER THERMOSTAT.
- CEILING MOUNTED ELECTRIC HEATER. HEATER SPEC: MARKEL MODEL HF3384D-RP-T, 1.5 KW CEILING MOUNTED HEATER, 208/160. PROVIDE WITH FACTORY WALL MOUNT THERMOSTAT, INTEGRAL DISCONNECT, AND 2X2 T-BAR MOUNTING KIT. CONTRACTOR TO CONTACT SCOTT GEORGE OF TOM BARROW COMPANY AT 404-351-1010 TO PURCHASE EH#2. HEATER NOT PURCHASED THRU TOM BARROW COMPANY WILL NOT BE ACCEPTED.



**2 MECHANICAL FLOOR PLAN - ORDER CANOPY**  
 1/4" = 1'-0"

**LEGEND**

Symbol	DESCRIPTION	Symbol	DESCRIPTION
A-12-400	TYPE - NECK SIZE - CFM	EF#1	EXHAUST FAN #1 (TYP.)
[Symbol]	SPIN-IN FITTING WITH MANUAL BALANCING DAMPER, WITHOUT SCOOP	AC#1	AIR CONDITIONING UNIT #1 (TYP.)
[Symbol]	SPIN-IN HARD Ø FLEXIBLE Ø DIFFUSER	[Symbol]	RETURN/EXHAUST (TYP.)
(S)	REMOTE TEMPERATURE SENSOR	[Symbol]	SUPPLY DIFFUSER, SQ FACE (TYP.)
(H)	HUMIDITY SENSOR	(1)	PLAN NOTE REFERENCE
(SD)	SMOKE DETECTOR	[Symbol]	MANUAL VOLUME DAMPER
12x18	DUCT SIZE (reverse for elevation views) 1ST NUMBER - HORIZONTAL DIMENSION 2ND NUMBER - VERTICAL DIMENSION	[Symbol]	DIRECTION OF THROW ON DIFFUSER
[SW]	AIR DOOR SWITCH	[Symbol]	CLOSED AIR PATTERN DEFLECTOR
EC	ELECTRICAL CONTRACTOR	[GIH]	GAS INFRARED HEATER (TYP.)
MC	MECHANICAL CONTRACTOR	B/G	BELOW GRADE
EIH	ELECTRIC INFRARED HEATER	(T)	THERMOSTAT

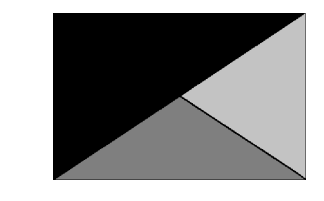
**AIR BALANCE SCHEDULE**

Mark	SUPPLY AIR	RETURN AIR	OUTSIDE AIR	EXHAUST AIR	BUILDING POSITIVE PRESSURE
AC#1	9500	8450	1050		
AC#2	5600	4025	1575		
AC#3	6400	4375	2025		
EF#1				1913	
EF#2				1402	
EF#3				300	
	21500	16850	4650	3615	1035

Autodesk Docs://KY\_05059\_Wendell Ford Expy & Hwy 54 FSU\_2022\_5\_FSR#05059\_Wendell Ford Expy & Hwy 54 FSU\_MECH.rvt  
 1/16/2024 9:51:29 AM  
 30-LSR-05059-M-201-MECHANICAL FLOOR PLAN



**Chick-fil-A**  
5200 Buffington Road  
Atlanta, Georgia  
30349-2998



**Kurzynske & Associates**  
2705 Lebanon Pike - Suite One  
Nashville, Tennessee 37214  
Telephone: (615) 255-5203



01/17/2024

**CHICK-FIL-A**  
**WENDELL FORD EXPY &**  
**HWY 54 FSU**  
**3123 KY-54**  
**OWENSBORO, KY 42303**

**FSR#05059**

BUILDING TYPE / SIZE: P13 LSR LRG

RELEASE: 22.05

PRINTED FOR:

CONSTRUCTION

REVISION SCHEDULE

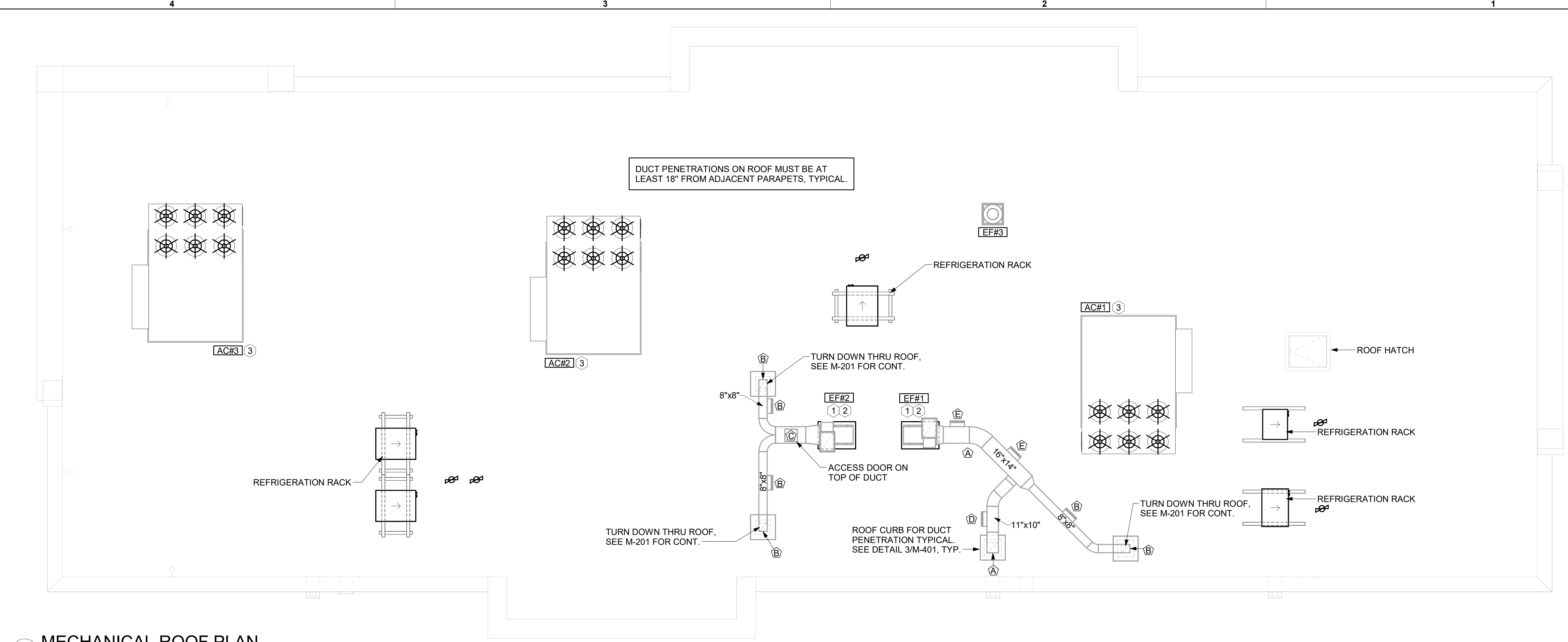
NO.	DATE	DESCRIPTION

CONSULTANT PROJECT # 22096.EH.S  
DATE 05/26/2022  
DRAWN BY BLM

Information contained on this drawing and in all digital files produced for above named project may not be reproduced in any manner without express written or verbal consent from authorized project representatives.

SHEET MECHANICAL ROOF PLAN

SHEET NUMBER  
**M-250**



**1 MECHANICAL ROOF PLAN**  
1/4" = 1'-0"

**SHEET NOTES**

- ALL DUCTWORK AND UNFINISHED METAL ON ROOF EXCEPT STAINLESS SHALL BE PREPARED WITH TWO COATS OF SHERWIN WILLIAMS PRO INDUSTRIAL DTM ACRYLIC COATING, SEMI-GLOSS, WHITE. DEGREASE AND PRIME BARE METAL SURFACE WITH ONE COAT OF SHERWIN WILLIAMS PRO INDUSTRIAL PRO-CRYL ACRYLIC UNIVERSAL PRIMER, WHITE, PRIOR TO PAINTING.
- AT EACH PIECE OF ROOF EQUIPMENT, PROVIDE A PLASTIC ENGRAVED LABEL WITH 1" HIGH WHITE LETTERS ON A BLACK BACKGROUND. THE LABEL IS TO HAVE A SELF ADHESIVE BACKING.
- MAINTAIN 18" CLEARANCE FROM GREASE EXHAUST DUCTWORK ABOVE ROOF TO ANY COMBUSTIBLE CONSTRUCTION INCLUDING PARAPET WALLS.

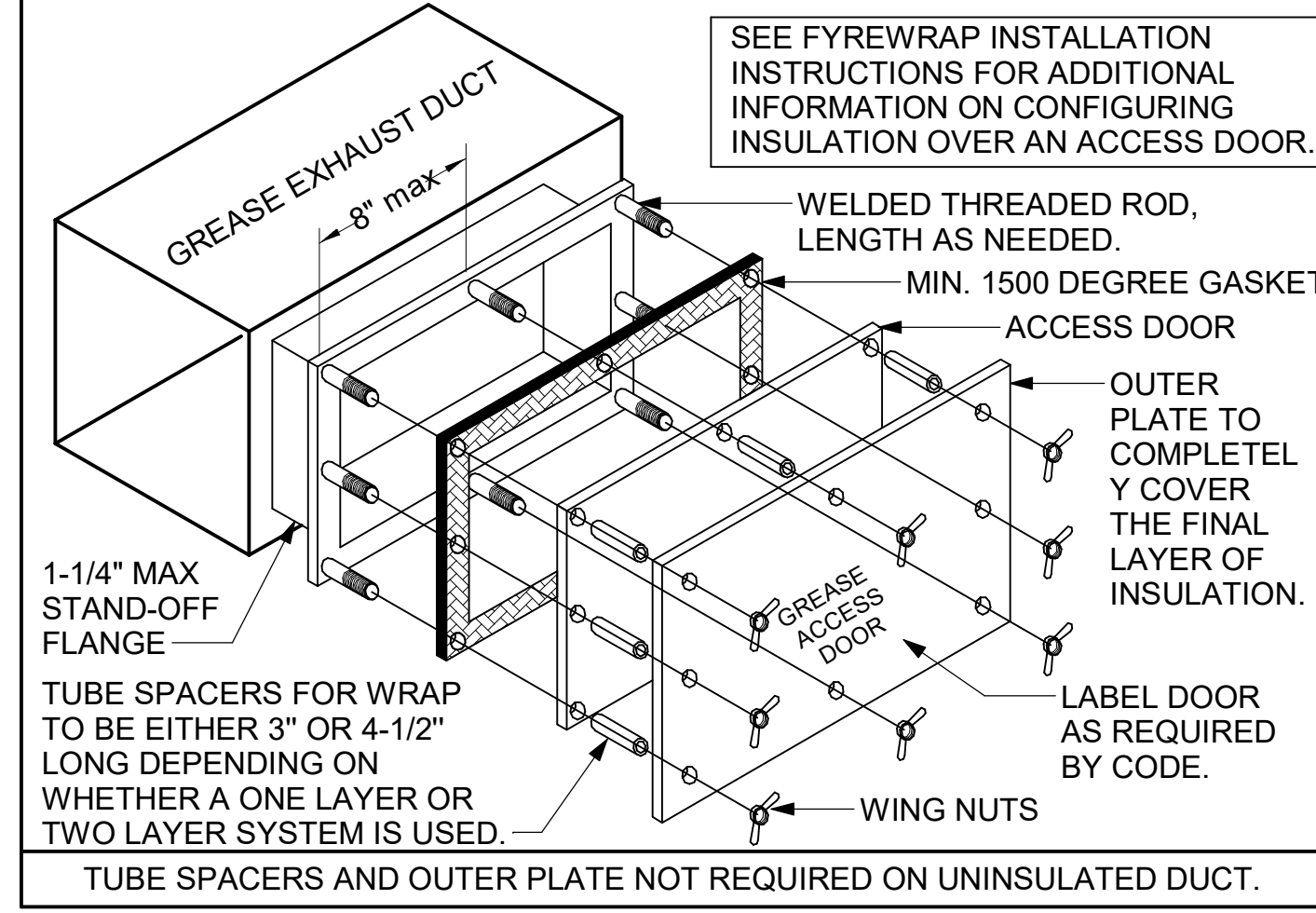
**KEY NOTES**

- FABRICATE DISCHARGE AIR NOZZLE. VERIFY EXHAUST TERMINATION IS A MINIMUM 10'-0" FROM PARAPETS AND OUTSIDE AIR INTAKES. SEE DETAIL 3/M-401.
- GREASE EXHAUST DUCT LOCATED ON ROOF SHALL SLOPE PER FOOT TOWARDS THE HOOD, THE FAN, OR A COMBINATION OF THE TWO SUCH THAT NO PORTION OF THE RADIUS ELBOW AT THE CURB IS BELOW THE CURB CAP AND SUCH THAT THE FAN BASE SETS DIRECTLY ON THE CURB RAILS. THE BOTTOM OF THE RADIUS ELBOW MAY BE EVEN OR FLUSH WITH THE CURB CAP, BUT NOT BELOW THE CAP. THE DUCT AT THE FAN MUST BE CENTERED ON THE FAN INLET. THE MC MAY ADD A VERTICAL RISER AT THE RADIUS ELBOW LOCATED AT THE DUCT CURB AS NEEDED IN ORDER TO CENTER THE DUCT ON THE FAN INLET.
- MECHANICAL CONTRACTOR TO SEE ARCHITECTURAL ROOF PLAN FOR NOTES REGARDING LEVELING FRAMES FOR RTUS. COORDINATE WITH GENERAL CONTRACTOR EXACT LOCATIONS AND SIZE NEEDED.

**GREASE ACCESS DOOR SCHEDULE**

MARK	OPENING SIZE	DOOR SIZE	REMARKS
A	9H X 14W	11H X 16W	1
B	6H X 14W	8H X 16W	1
C	12H X 12W	14H X 14W	1
D	8H X 14W	10H X 16W	1
E	12H X 14W	14H X 16W	1

- ACCESS DOORS SHALL BE U.L. 1978 LISTED OR FIELD FABRICATED, REQUIRE NO TOOLS FOR REMOVAL AND MEET THE REQUIREMENTS OF THE CURRENT EDITION OF THE IMC. ACCESS DOOR ASSEMBLY SHALL BE WELDED IN PLACE TO THE GREASE EXHAUST DUCT AND THE ACCESS DOOR SHALL BE SECURED WITH THUMB SCREWS. ACCESS DOORS SHALL BE SEALED WITH A MINIMUM 1500 DEGREE GASKET MATERIAL EQUIVALENT TO THAT MANUFACTURED BY BRENTON INDUSTRIES, INC. (800) 382-2491.



Autodesk Docs://KY\_05059\_Wendell Ford Expy & Hwy 54 FSU\_2022.5\_FSR#05059\_Wendell Ford Expy & Hwy 54 FSU\_MECH.rvt  
1/16/2024 9:51:30 AM  
30-LSR-05059-M-250-MECHANICAL ROOF PLAN

**GREASE EXHAUST DUCT CLEARANCE NOTE:**  
 CLEARANCES ABOVE CEILING ARE TIGHT. MECHANICAL CONTRACTOR TO FIELD VERIFY EXACT ROUTING AND CLEARANCES PRIOR TO FABRICATING GREASE EXHAUST DUCT.

**CLEANOUT DOOR NOTE:**  
 DUCT WRAP SHALL BE APPLIED TO THE CLEANOUT DOOR PER THE WRAP MFR'S INSTALLATION INSTRUCTIONS, NO EXCEPTIONS. ALSO, THE CLEANOUT DOOR MUST BE REMOVABLE WITHOUT TOOLS AND MUST BE CLEARLY AND PERMANENTLY LABELED.

HOOD SCHEDULE											
MARK	EXHAUST CFM	SP @ TAB PORT	CAPTURE JET CFM & S.P.	TYPE	COLLAR SIZE	WIDTH	DEPTH	HEIGHT	MANUFACTURER	MODEL	REMARKS
HOOD#1L	709	0.13"	47 @ 0.30"	BACKSHELF	8"x8"	63"	37"	38"	HALTON	KVL-2 IC	1
HOOD#1R	1204	0.13"	80 @ 0.30"	BACKSHELF	14"x8"	107"	37"	38"	HALTON	KVL-2 IC	1
HOOD#2	701	0.30"	30 @ 0.29"	BACKSHELF	8"x8"	45"	34"	38"	HALTON	KVL-C IC	1
HOOD#3	701	0.30"	30 @ 0.29"	BACKSHELF	8"x8"	42"	34"	38"	HALTON	KVL-C IC	1

NOTES: DIMENSIONS OF HOODS INCLUDE BACK AND SIDE SPACERS (HEIGHT DOES NOT INCLUDE CLOSURE PANELS).

REMARKS: 1. REFER TO HOOD SHOP DRAWINGS FOR HOOD CONSTRUCTION AND OPTIONS. HOOD SHOP DRAWINGS ARE INCLUDED FOR REFERENCE ON SHEET MH-101.

- KITCHEN HOOD SYSTEMS NOTES**
- CHICK-FIL-A MAINTAINS A NATIONAL ACCOUNT WITH HALTON CO. FOR THE HOODS. CHICK-FIL-A WILL PURCHASE AND PROVIDE THE HOODS FOR INSTALLATION BY THE MECHANICAL CONTRACTOR. THE MECHANICAL CONTRACTOR SHALL BE RESPONSIBLE FOR RECEIVING THE HOODS. CONTACT HALTON CO. AT 270-237-5600 FOR MORE INFO.
  - THE FIRE SUPPRESSION SYSTEM SHALL CONSIST OF A COMPLETE WET ANSUL SYSTEM FURNISHED BY HALTON. THE HOOD SHALL BE FURNISHED PRE-PIPED BY HALTON.
  - THE R-102 ANSUL FIRE SUPPRESSION SYSTEM EXTERNAL TO THE HOODS SHALL BE INSTALLED IN ACCORDANCE WITH HOOD MANUFACTURER'S SHOP DRAWINGS BY AN AUTHORIZED ANSUL SYSTEM INSTALLER SELECTED AND HIRED BY HALTON. COST FOR ANSUL INSTALLATION INCLUDED IN PRICE OF HOODS TO CFA.
  - HOOD EXHAUST DUCTWORK SHALL BE 16 GA. BLACK STEEL WITH CONTINUOUS LIQUID TIGHT WELD OF JOINTS & SEAMS.
  - TURNS IN GREASE EXHAUST DUCTWORK SHALL BE LONG RADIUS TYPE, WITH A CENTERLINE RADIUS R=3W/2, UNLESS OTHERWISE NOTED. NO MITERED FITTINGS ALLOWED.
  - ALL STAINLESS STEEL CLOSURE PANELS SHALL BE SUPPLIED BY HOOD MANUFACTURER AND INSTALLED BY THE MECHANICAL CONTRACTOR ACCORDING TO MANUFACTURER'S RECOMMENDATIONS.
  - SLOPE ALL GREASE EXHAUST DUCT BACK TO HOOD AT 1/4" PER FOOT OF RUN.
  - WRAP NEW GREASE DUCT WITH UNIFRAX FYREWRAP. INSULATION ON ACCESS DOORS SHALL BE INSTALLED ACCORDING TO MANUFACTURER'S INSTALLATION RECOMMENDATIONS. UNIFRAX FYREWRAP PRODUCT USED SHALL MEET LOCAL CODE REQUIREMENTS.
  - SUPPORT ALL HOODS WITH THREADED ROD AT EACH FACTORY SUPPORT POINT. EACH SUPPORT POINT MUST SUPPORT THE HOOD WEIGHT EQUALLY. ATTACH TO STRUCTURE AS DETAILED ON STRUCTURAL DRAWINGS. ATTACH HOOD TO WALL AT 16" INTERVALS ALONG FULL LENGTH OF HOOD ON TOP AND BOTTOM. ATTACHMENT TO WALL REQUIRES FIELD DRILLING OF SUPPORT ANGLE AT BACK OF HOODS. EACH WALL ATTACHMENT POINT MUST OCCUR AT A WALL STUD. ATTACHMENT HARDWARE TO BE #12-24 HEX HEAD SHEET METAL SCREW EQUAL TO TEXTRON SDS EDT265, LENGTH AS REQUIRED TO FULLY PENETRATE THE STUD.
  - MECHANICAL CONTRACTOR TO PROVIDE AND INSTALL SUNCOAST H.E.S. SYSTEM FOR ALL HOODS. SEE HOOD FAN/EQUIPMENT INTERLOCK WIRING DIAGRAM ON M-502 FOR MORE INFORMATION.

SET LEFT SIDE OF HOOD#3 FLUSH WITH FINISHED EDGE OF PASS THRU OPENING.

GREASE ACCESS DOOR. REFER TO SHEET M-250 FOR SIZING AND CONSTRUCTION

FYREWRAP, TYPICAL FROM CURB TO HOOD.  
 OFFSET NO GREATER THAN 45 DEGREES

HALTON KBD BALANCING DAMPER.

CJ#3 CAPTURE JET FAN. HARD DUCT FROM CJ FAN TO FAN INLET AT HOOD SHROUD BY GC.

HOOD#3  
 64" AFF CONTRACTOR TO FIELD VERIFY FINISH FLOOR HEIGHT. PIN AND SLEEVE ELECTRICAL BOX BY OTHERS.

7 HOOD ELEVATION - HOOD#3  
 NOT TO SCALE

SET RIGHT SIDE OF HOOD#2 FLUSH WITH FINISHED EDGE OF PASS THRU OPENING.

FYREWRAP, TYPICAL FROM CURB TO HOOD.  
 OFFSET NO GREATER THAN 45 DEGREES

HALTON KBD BALANCING DAMPER  
 OFFSET NO GREATER THAN 45 DEGREES

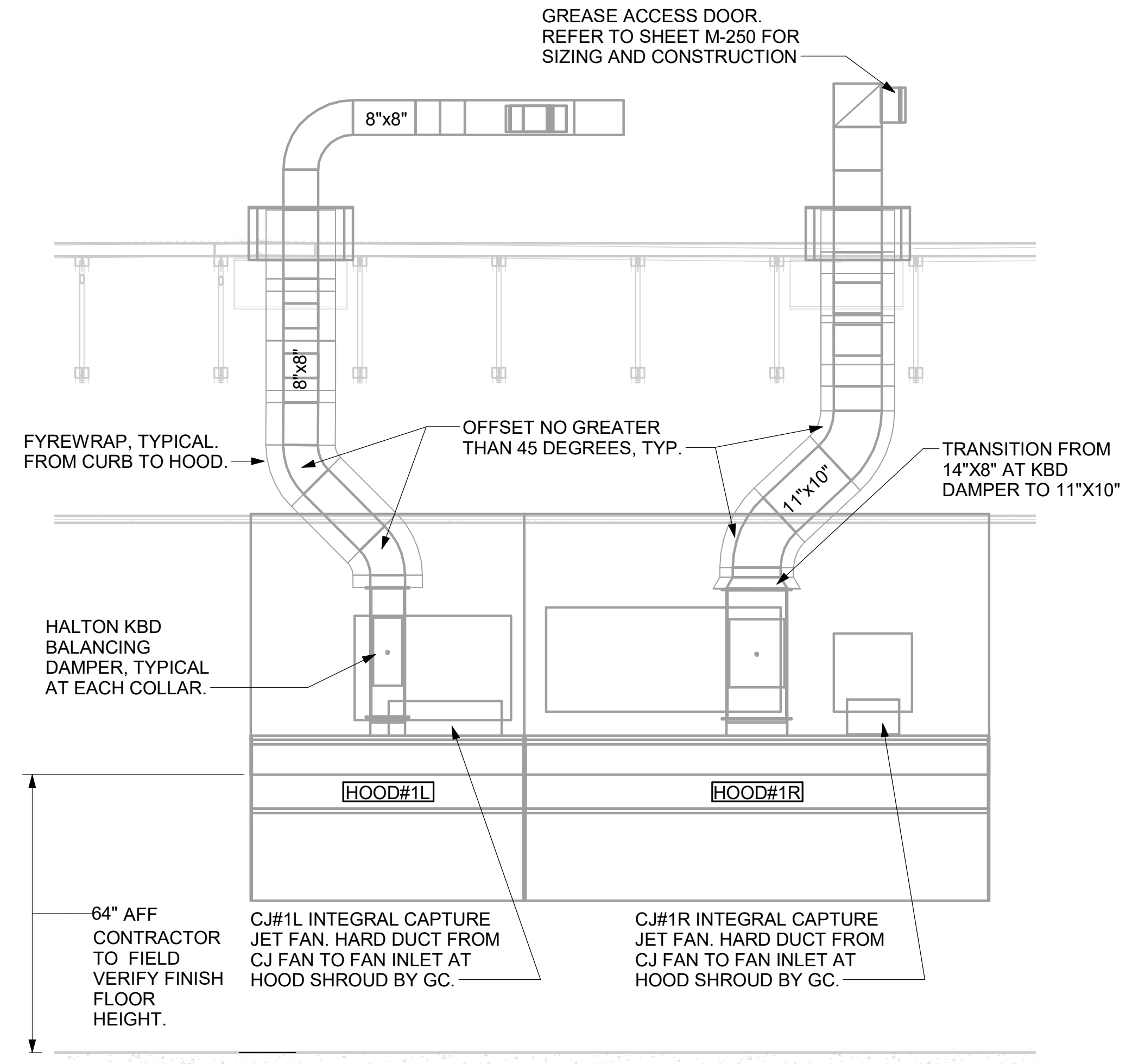
CJ#2 INTEGRAL CAPTURE JET FAN. HARD DUCT FROM CJ FAN TO FAN INLET AT HOOD SHROUD BY GC.

HOOD#2  
 10' - 2" TYP. CEILING HEIGHT  
 64" AFF CONTRACTOR TO FIELD VERIFY FINISH FLOOR HEIGHT. PIN AND SLEEVE ELECTRICAL BOX BY OTHERS.

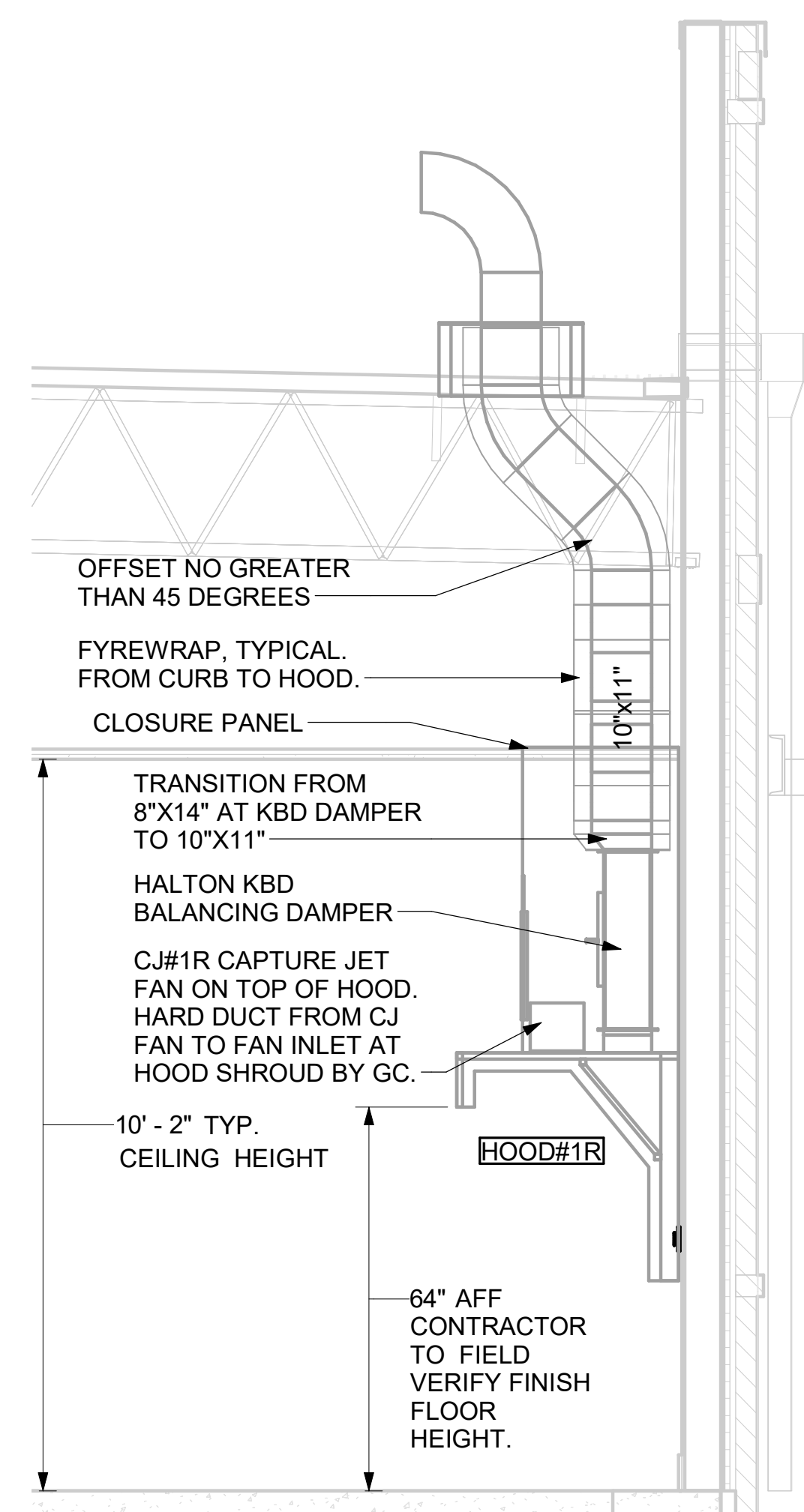
5 HOOD ELEVATION - HOOD#2 - SIDE  
 NOT TO SCALE

NOTE: SEE ARCHITECTURAL PLANS FOR HOOD LOCATIONS.

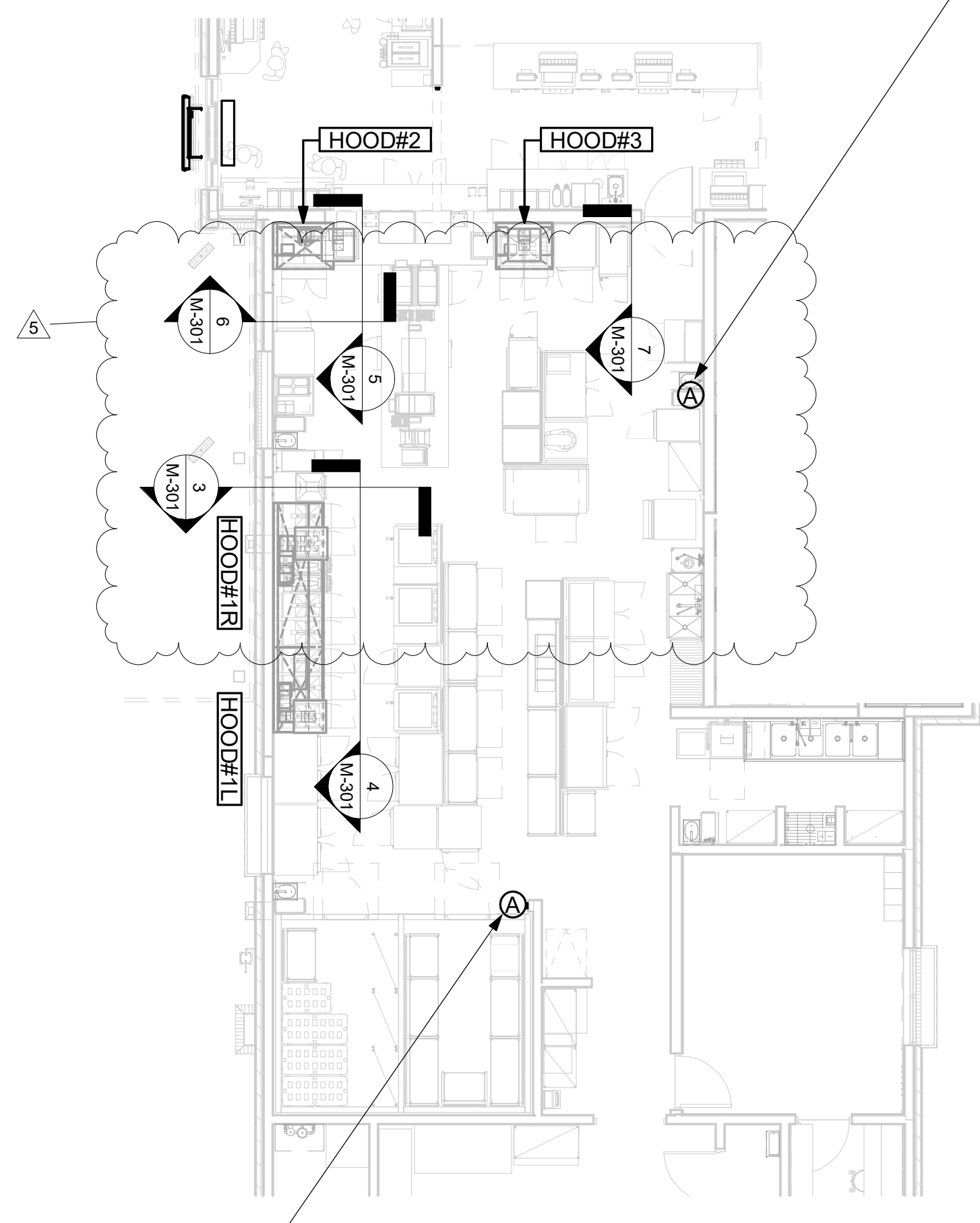
ANSUL PULL STATION SERVING BOTH HOOD#2 AND HOOD#3 ADJACENT TO HANDSINK. LOCATE ANSUL PULL STATION BETWEEN 42" AND 48" AFF. COORDINATE EXACT LOCATION WITH KITCHEN EQUIPMENT ELEVATIONS. J-BOX AND CONDUIT ARE BY ELECTRICAL. PROVIDE RED BAKELITE LABEL WITH 1/4" HIGH WHITE LETTERS INDICATING THE HOODS SERVED, I.E.: "PASS THRU HOODS".



4 HOOD ELEVATION - HOOD#1 - FRONT  
 NONE



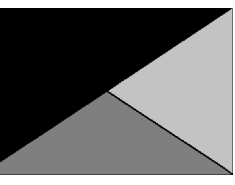
3 HOOD ELEVATION - HOOD#1 - SIDE  
 NOT TO SCALE



1 HOOD LAYOUT  
 1/8" = 1'-0"



**Chick-fil-A**  
 5200 Buffington Road  
 Atlanta, Georgia  
 30349-2998



**Kurzynske & Associates**  
 2705 Lebanon Pike - Suite One  
 Nashville, Tennessee 37214  
 Telephone: (615) 255-5203



01/17/2024

**CHICK-FIL-A**  
**WENDELL FORD EXPY &**  
**HWY 54 FSU**  
**3123 KY-54**  
**OWENSBORO, KY 42303**

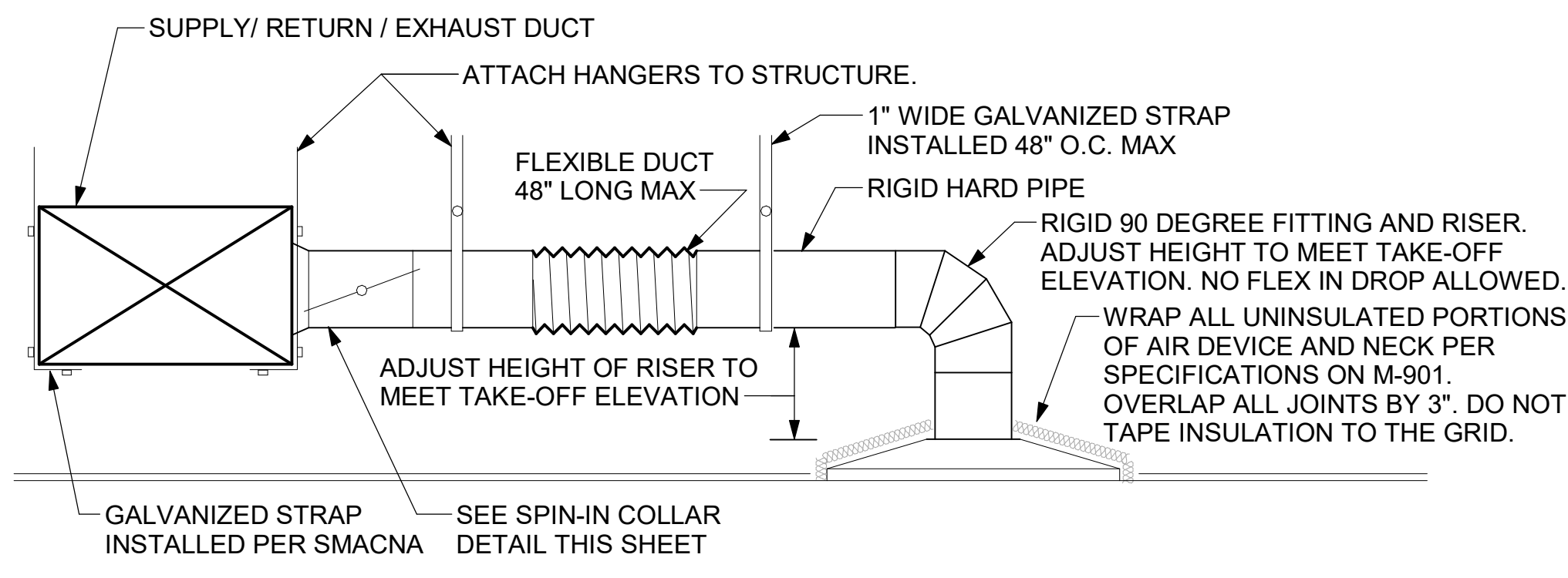
**FSR#05059**

BUILDING TYPE / SIZE: P13 LSR LRG  
 RELEASE: 22.05  
 PRINTED FOR: CONSTRUCTION  
**REVISION SCHEDULE**

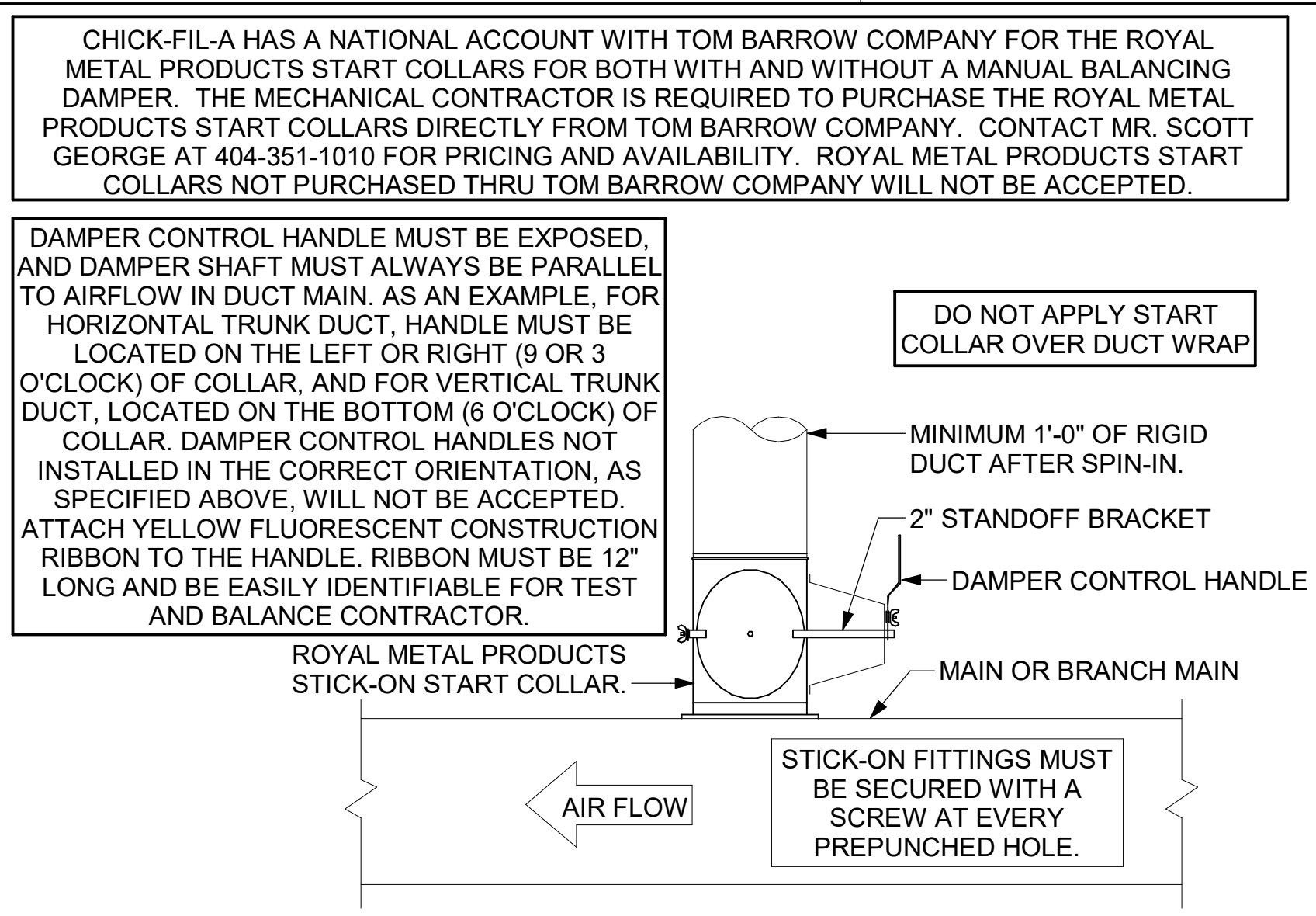
NO.	DATE	DESCRIPTION
5	01/03/2024	DESIGNNOTES

CONSULTANT PROJECT # 22096.EH.S  
 DATE 05/26/2022  
 DRAWN BY BLM  
 Information contained on this drawing and in all digital files produced for above named project may not be reproduced in any manner without express written or verbal consent from authorized project representatives.  
 SHEET HOOD DETAILS AND SCHEDULES  
 SHEET NUMBER

**M-301**



**1 SAG/RAG/GRILLE TAKE-OFF**  
NOT TO SCALE



**2 START COLLAR**  
NOT TO SCALE

GAS FIRED ROOFTOP UNIT SCHEDULE													
MARK	TOTAL COOLING MBH	SENSIBLE COOLING MBH	HEATING INPUT MBH	HEATING OUTPUT MBH	STAGES	SUPPLY O.A.	HP	ESP	MODEL R-410A	MFGR	REMARKS		
AC#1	288.4	219.2	480	389	2	9500	1050	10	0.80	LGT300S4M	LENNOX	1,3,4,5,7,8,9,10,11,12,13,14,15,16,17,18	
AC#2	208.9	160.9	360	292	2	5600	1575	5	0.65	LGT210H4M	LENNOX	2,3,4,6,7,8,9,10,11,12,13,14,15,16,17,18	
AC#3	247.3	192.9	480	389	2	6400	2025	5	0.65	LGT240H4M	LENNOX	1,3,4,5,7,8,9,10,11,12,13,14,15,16,17,18	

**NOTES**

- COOLING CAPACITIES ARE GROSS, BASED ON ENTERING: 80FDB/67FWB, OUTDOOR: 95FDB, AND 400 CFM PER TON.
- CHICK-FIL-A MAINTAINS A NATIONAL ACCOUNT FOR EQUIPMENT WITH LENNOX CORPORATION. CONTACT LENNOX NATIONAL ACCOUNTS AT 800-367-6285 (OR BY FAX AT 972-497-5112) FOR PRICING, ORDERING AND AVAILABILITY.
- MECHANICAL CONTRACTOR TO VERIFY LENNOX SUBMITTAL WITH CONSTRUCTION DOCUMENTS.

**REMARKS**

- PROVIDE DIFFERENTIAL ENTHALPHY ECONOMIZER WITH POWER EXHAUST.
- PROVIDE DIFFERENTIAL ENTHALPHY ECONOMIZER WITH BAROMETRIC EXHAUST.
- PROVIDE 14" HIGH ROOF CURB.
- SEE DETAIL 2/M-501 FOR SETTING OF PRODIGY M3 BOARD CONTROL PARAMETERS BY MC.
- PROVIDE FACTORY INSTALLED AND UNIT POWERED 115V GFI SERVICE OUTLET.
- PROVIDE FACTORY INSTALLED 115V GFI SERVICE OUTLET.
- PROVIDE FACTORY INSTALLED RETURN SIDE SMOKE DETECTOR.
- PROVIDE FACTORY INSTALLED NON-FUSED DISCONNECT.
- PROVIDE 2" MERV 13 THROW AWAY FILTERS.
- PROVIDE HINGED PANELS FOR FILTER ACCESS, FAN MOTOR ACCESS, COMPRESSOR ACCESS AND CONTROL COMPARTMENT ACCESS.
- ADJUST GAS MANIFOLD PRESSURE AT LOCATIONS WHERE ELEVATION EXCEEDS 2000' ABOVE SEA LEVEL AS RECOMMENDED BY MANUFACTURER.
- PROVIDE FACTORY INSTALLED COIL HAIL GUARD.
- PROVIDE FACTORY INSTALLED CONDENSATE PAN DRAIN OVERFLOW SWITCH.
- PROVIDE HUMIDITROL OPTION WITH FACTORY WALL MOUNTED HUMIDITY SENSOR.
- FACTORY PROVIDED, FIELD INSTALLED BELT TENSIONER.
- PROVIDE FACTORY CONFIGURED PHASE LOSS PROTECTION.
- PROVIDE WITH HIGH FAULT SCRR.
- PROVIDE FRESH AIR TEMPERING KIT.

EXHAUST FAN SCHEDULE										
MARK	Fan CFM	ESP	RPM	Tip Speed	HP	Area Served	MODEL	MANUFACTURER	REMARKS	
EF#1	1913	0.75	1326	5207	3/4	HOOD#1	150 CPS	LOREN COOK	1,2,3,4,5,6,7,8,9,10,11,17	
EF#2	1402	0.95	1,268	4481	3/4	HOOD#2 & HOOD#3	150 CPS	LOREN COOK	1,2,3,4,5,6,7,8,9,10,11,17	
EF#3	300	0.375	1,294	3,091	1/8	RESTROOMS	ACED-90C15DH	LOREN COOK	3,11,12,13,14,15,16	

**NOTES**

- GREASE EXHAUST FAN RPM BASED ON 80 DEGREE F AIR AT 1000 FEET ABOVE SEA LEVEL.
- GREASE EXHAUST FANS TO BE UL 762 LISTED.
- CHICK-FIL-A HAS A NATIONAL ACCOUNT WITH TOM BARROW COMPANY FOR THE FAN/CURB PACKAGE. THE MECHANICAL CONTRACTOR IS REQUIRED TO PURCHASE THE FAN/CURB PACKAGE DIRECTLY FROM TOM BARROW COMPANY. CONTACT MR. SCOTT GEORGE AT 404-351-1010 FOR PRICING AND AVAILABILITY. FANS AND CURBS NOT PURCHASED THRU TOM BARROW COMPANY WILL NOT BE ACCEPTED.

**REMARKS**

- UPBLAST, ARRANGEMENT 10, CCW ROTATION. SEE PLANS TO CONFIRM CONFIGURATION.
- PROVIDE FACTORY ALUMINUM FAN WHEEL.
- PROVIDE FACTORY INSTALLED PREWIRED NON-FUSED DISCONNECT.
- PROVIDE FACTORY STEEL INLET FLANGE AND INLET COMPANION FLANGE.
- PROVIDE AND INSTALL ROOFTOP SOLUTIONS G2 DRIP GUARD. MECHANICAL CONTRACTOR TO CONTACT ROOFTOP SOLUTIONS AT 800-913-7034.
- PROVIDE FACTORY WEATHER HOUSING W/ HINGED ACCESS DOOR.
- PROVIDE FACTORY DRAIN CONNECTION.
- PROVIDE FACTORY BOLTED ACCESS DOOR ON SCROLL.
- PROVIDE FACTORY INSTALLED BELT DRIVE WITH ADJUSTABLE MOTOR SHEAVE AND SPARE BELT.
- PROVIDE FACTORY STEEL OUTLET COMPANION FLANGE.
- INTEGRAL THERMAL OVERLOAD WITH AUTOMATIC RESET.
- PROVIDE BIRDSCREEN.
- BACKDRAFT DAMPER IN DUCT BY MECHANICAL CONTRACTOR AS SHOWN ON 4/M401.
- STARTER BY ELECTRICAL CONTRACTOR. INTERLOCK WITH LIGHTS BY ELECTRICAL CONTRACTOR.
- PROVIDE 12" HIGH CURB.
- PROVIDE FACTORY INSTALLED AND WIRED SPEED CONTROLLER.
- UTILITY SET FAN CURB AND ASSOCIATED EXHAUST DUCT CURB PROVIDED BY TOM BARROW COMPANY.

AIR DOOR SCHEDULE									
MARK	CFM	VELOCITY	HEATING CAP	HP	AREA SERVED	MODEL	MANUFACTURER	REMARKS	
AD#1	1765	2670 FPM	10 kW	3/4 HP	DRIVE THRU	CHA-1-48E	Powered Aire	1,2,3,5	
AD#2	3867	4220 FPM	N/A	3/4 HP	REAR DOOR	RBT-1-48	Powered Aire	4	
AD#3	1268	2760 FPM	N/A	3/4 HP	DRIVE THRU	CHA-1-36	Powered Aire	1,2,4	

**NOTES**

- CHICK-FIL-A HAS A NATIONAL ACCOUNT WITH TOM BARROW COMPANY FOR THE AIR DOORS. THE MECHANICAL CONTRACTOR SHALL PURCHASE THE AIR DOORS DIRECTLY FROM TOM BARROW COMPANY. CONTACT MR. SCOTT GEORGE AT 404-351-1010, FOR PRICING AND AVAILABILITY. AIR DOORS NOT PURCHASED THRU TOM BARROW COMPANY WILL NOT BE ACCEPTED.

**REMARKS**

- FACTORY PROVIDED, WIRED, AND UNIT MOUNTED SPEED CONTROLLER LOCATED ABOVE CEILING.
- FACTORY WIRED DISCONNECT.
- FACTORY PROVIDED, FIELD INSTALLED BY MC, REMOTE WALL SWITCHES FOR EHATING ON/OFF AND FAN ON/AUTO TO SWITCH. SEE DETAIL AIR CURTAIN WIRING DIAGRAM.
- FACTORY PROVIDED MAGNETIC DOOR CONTACT WITH FACTORY INSTALLED LOW VOLTAGE CONTROLS LOCATED IN AIR DOOR CABINET.
- PROVIDE WITH A DIVERTER BOX. PROVIDE WITH MOUNTING BRACKETS PER MANUFACTURER'S RECOMMENDATIONS. INSTALL 4" FROM THE WALL.

AIR DEVICE SCHEDULE							
MARK	DESCRIPTION	LOCATION	NECK SIZE	FACE SIZE	FRAME TYPE	REMARKS	
A	PRICE MODEL APDC ALUMINUM SUPPLY AIR DIFFUSER WITH INDIVIDUALLY ADJUSTABLE CURVED AIR PATTERN CONTROLLERS.	VARIES	VARIES	24"x24"	LAY-IN	1,7	
C	PRICE MODEL SMCD STEEL SUPPLY AIR DIFFUSER FIELD ADJUSTABLE AIR PATTERN CONTROLLERS.	ENTRY	14"x14"	19"x19"	BEVELLED	1,3,5,6	
F	PRICE MODEL 80 EGCCRATE RETURN AIR GRILLE WITH REMOVABLE WHITE CORN. FACTORY FLAT BLACK BACKPAN AND ROUND NECK.	VARIES	VARIES	24"x24"	LAY-IN	1,7	
J	PRICE MODEL SMCD STEEL SUPPLY AIR DIFFUSER FIELD ADJUSTABLE AIR PATTERN CONTROLLERS.	RESTROOMS	10"x10"	15"x15"	BEVELLED	1,2,3,5,6	
K	PRICE MODEL APDDR ALUMINUM PERFORATED FACE RETURN AIR GRILLE.	RESTROOMS/ ENTRY	14"x14"	16"x16"	SURFACE	1,4,5,6	

**NOTES**

- CHICK-FIL-A HAS A NATIONAL ACCOUNT WITH TOM BARROW COMPANY FOR THE AIR DEVICES. THE MECHANICAL CONTRACTOR SHALL PURCHASE THE AIR DEVICES DIRECTLY FROM TOM BARROW COMPANY. CONTACT MR. SCOTT GEORGE AT 404-351-1010, FOR PRICING AND AVAILABILITY. AIR DEVICES NOT PURCHASED THRU TOM BARROW COMPANY WILL NOT BE ACCEPTED.

**REMARKS**

- STANDARD OFF WHITE FINISH.
- PROVIDE MODEL VCS3 NECK DAMPER.
- SEE DRAWING M-201 FOR THROW.
- PROVIDE MODEL VCR7 NECK DAMPER ON GRILLES IN RESTROOMS SERVING EXHAUST FAN.
- PROVIDE BACKPAN MC TO SEAL JOINTS WITH MASTIC AND INSULATE EXTERNALLY.
- FIELD INSULATE BACKPAN AS SHOWN ON DETAIL 1/M-401.
- FACTORY INSULATED R-6 BACKPAN.

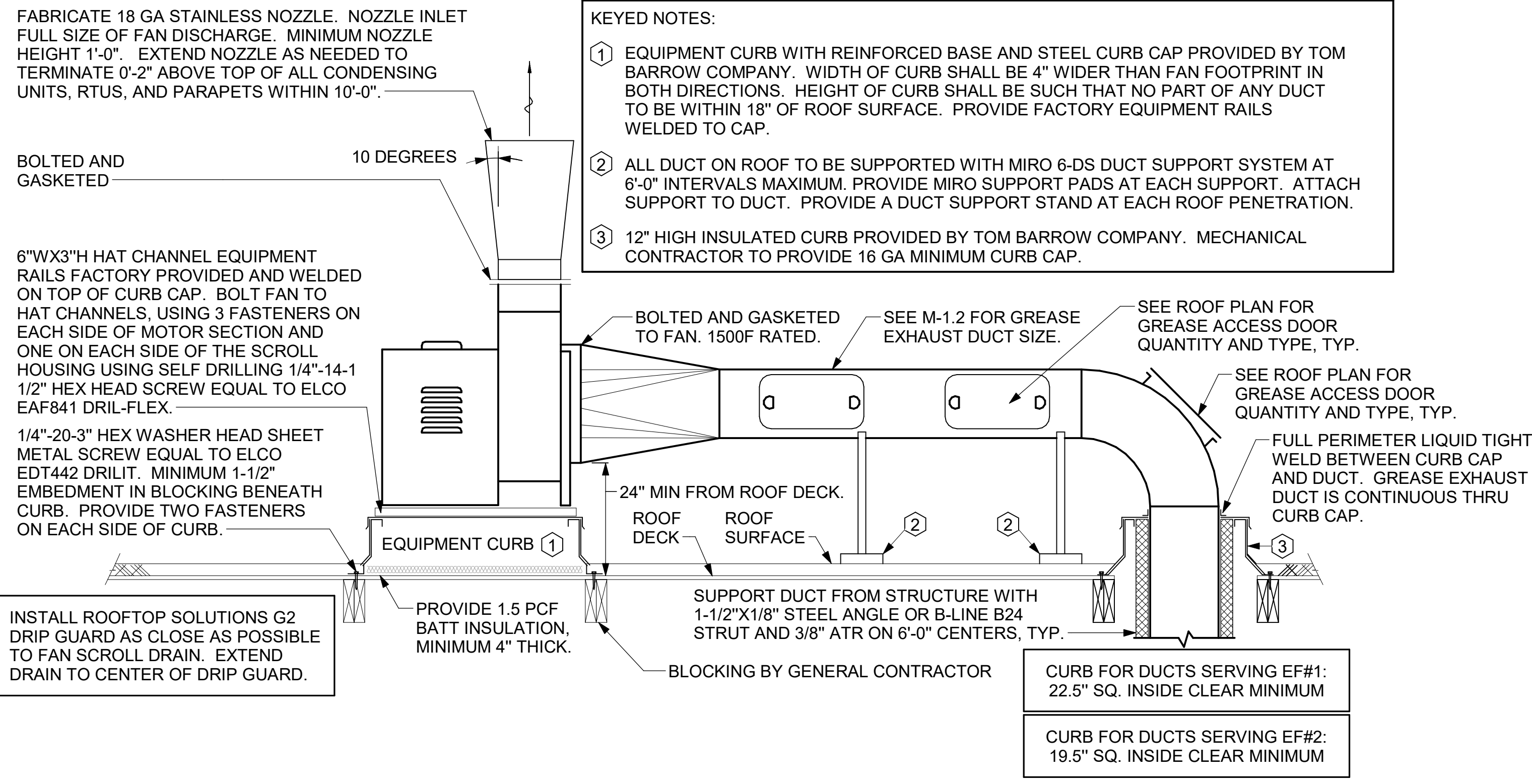
GAS FIRED INFRARED HEATER SCHEDULE							
MARK	INPUT (MBH)	FRAME LENGTH	FRAME WIDTH	FRAME DEPTH	MOUNTING TYPE	MODEL	MANUFACTURER
GIH	50	48"	13.4"	9.7"	Bracket	WB50-N7-CM	SPACE RAY

**NOTES**

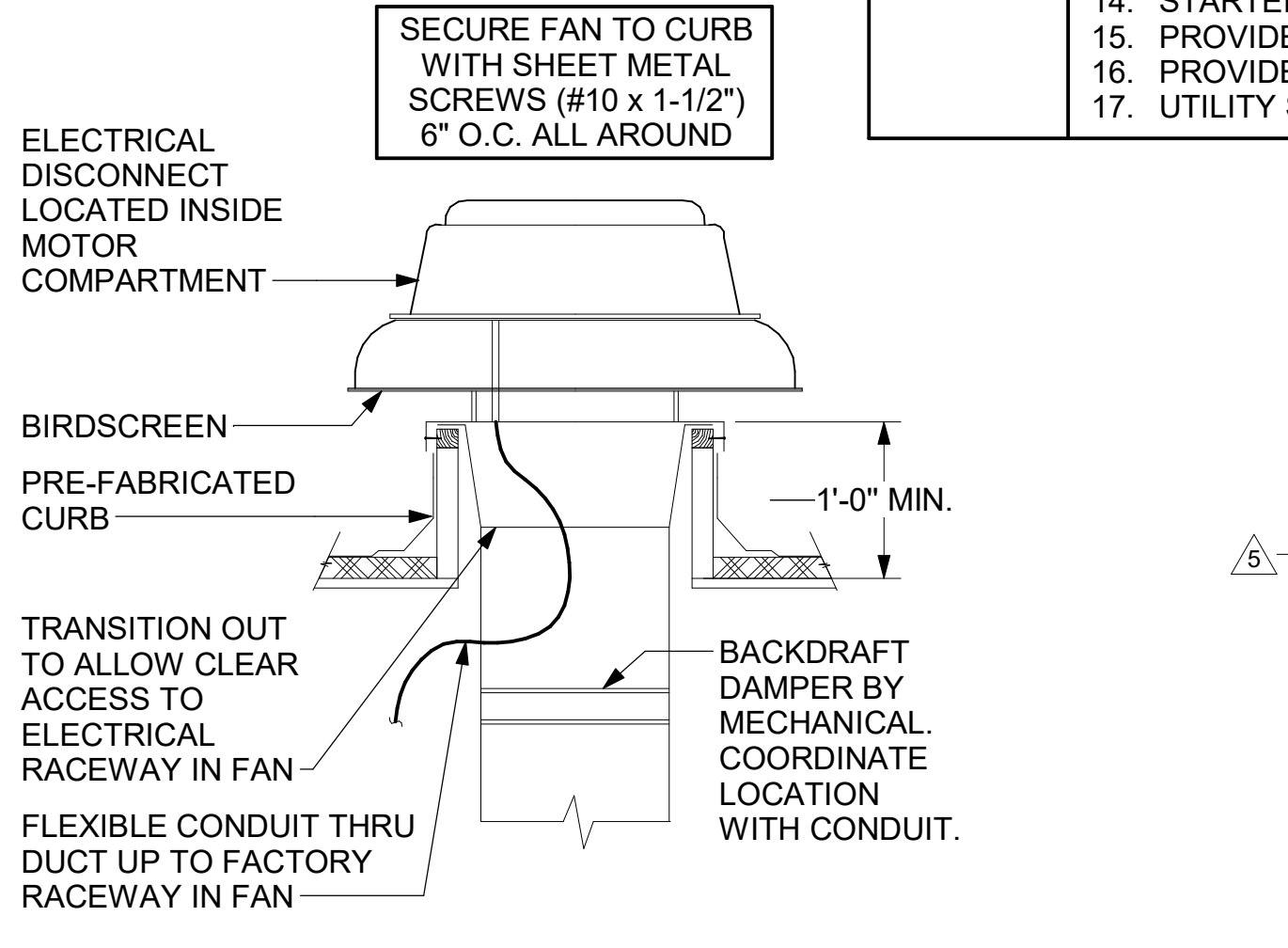
- CONFIRM HEATER QUANTITY WITH CANOPY SHOP DRAWINGS.
- CHICK-FIL-A HAS A NATIONAL ACCOUNT WITH TOM BARROW COMPANY FOR THE GAS FIRED INFRARED HEATERS. THE MECHANICAL CONTRACTOR SHALL PURCHASE THE HEATER PACKAGE DIRECTLY FROM TOM BARROW COMPANY. CONTACT MR. SCOTT GEORGE AT 404-351-1010, FOR PRICING AND AVAILABILITY. HEATERS NOT PURCHASED THRU TOM BARROW COMPANY WILL NOT BE ACCEPTED.

**REMARKS**

- STEEL BURNER WITH CERAMIC BURNER TILES.
- STAINLESS STEEL LENS WITH BLACK EMISSIVE COATING.
- PROVIDE ENGRAVED PLASTIC LABEL AT EACH UNIT WITH UNIT DESIGNATION IN 1" HIGH WHITE LETTERS ON A BLACK BACKGROUND. MOUNT TO CANOPY DECK, FACING FORWARD, 12" LATERALLY FROM THE LONG SIDE OF THE HEATER.
- STAINLESS STEEL HEAT SHIELDS PROVIDED BY TOM BARROW COMPANY.



**3 KITCHEN HOOD EXHAUST FANS**  
NOT TO SCALE



**4 RESTROOM EXHAUST FAN**  
NOT TO SCALE

RECIRCULATING FAN SCHEDULE									
Mark	Fan CFM	Fan ESP	Fan RPM	Fan HP	Area Served	Model	Manufacturer	Fan Remarks	
RF-1	450	0.30	1144	58 W	TECH CLOSET	GCVF-700	LOREN COOK	1,2,3	

**NOTES**

- CHICK-FIL-A HAS A NATIONAL ACCOUNT WITH TOM BARROW COMPANY FOR THE FANS PACKAGE. THE MECHANICAL CONTRACTOR SHALL PURCHASE THE FANS DIRECTLY FROM TOM BARROW COMPANY. CONTACT MR. SCOTT GEORGE AT 404-351-1010, FOR PRICING AND AVAILABILITY. FANS NOT PURCHASED THRU TOM BARROW COMPANY WILL NOT BE ACCEPTED.

**REMARKS**

- PROVIDE NEMA 1 PREWIRED DISCONNECT.
- INTEGRAL POTENTIOMETER ON FAN MOTOR. SET TO FULL SPEED.
- PROVIDE THERMOSTAT / TEMPERATURE CONTROLLER. SET TO 76°F.

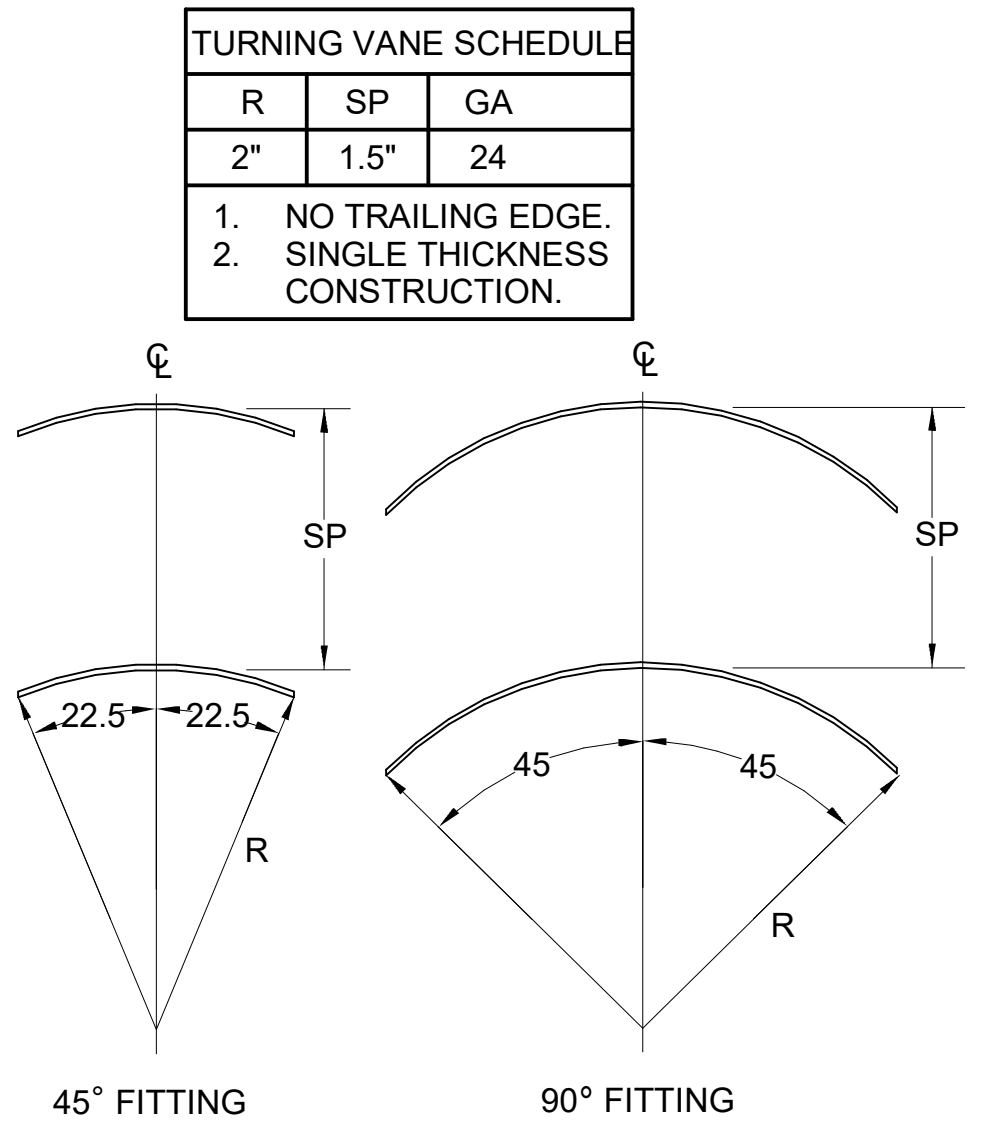
ELECTRIC WALL HEATER SCHEDULE						
MARK	KW	FRAME SIZE WIDTH/HEIGHT	CFM	MOUNTING TYPE	MODEL	MANUFACTURER
WH#1	3.0	14-1/8" / 19-1/2"	175	SURFACE	HF3325TD-RP	MARTEL

**NOTES**

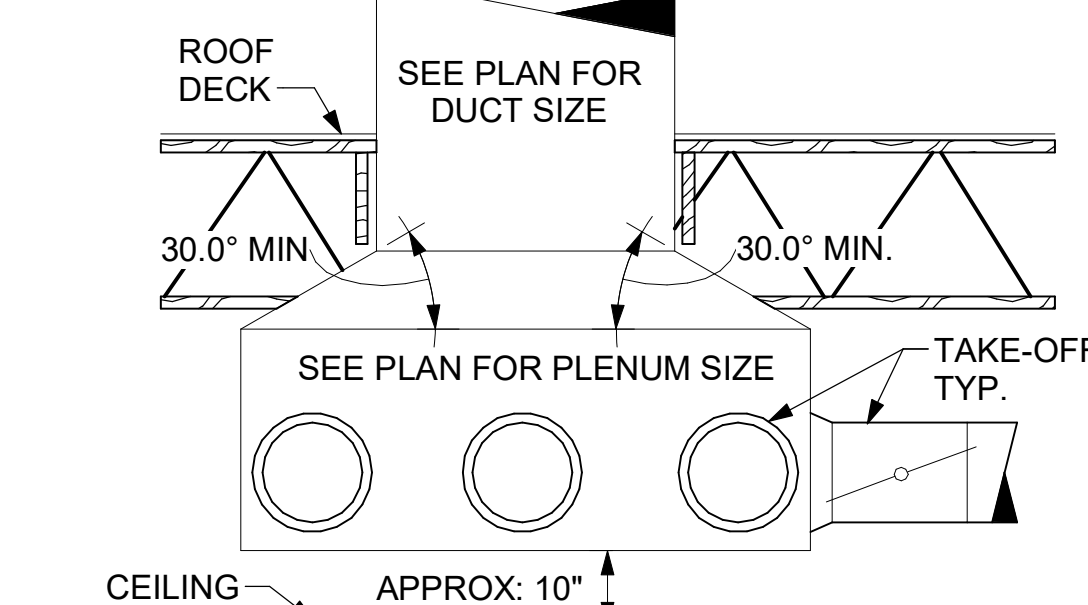
- CHICK-FIL-A HAS A NATIONAL ACCOUNT WITH TOM BARROW COMPANY FOR THE ELECTRIC WALL HEATER PACKAGE. THE MECHANICAL CONTRACTOR SHALL PURCHASE THE WALL HEATERS DIRECTLY FROM TOM BARROW COMPANY. CONTACT MR. SCOTT GEORGE AT 404-351-1010, FOR PRICING AND AVAILABILITY. WALL HEATERS NOT PURCHASED THRU TOM BARROW COMPANY WILL NOT BE ACCEPTED.

**REMARKS**

- AUTOMATIC FAN DELAY SWITCH AND INTEGRAL DISCONNECT.
- INTEGRAL TAMPERPROOF THERMOSTAT SET AT 65 DEG. F.
- CAPACITY SHOWN IS BASED ON 208V SERVICE.
- CONFIRM ELECTRICAL CHARACTERISTICS WITH E-SHEETS PRIOR TO ORDERING EQUIPMENT.
- POWDER COATED 18 GA. STEEL GRILLE WITH ALUMINUM FRAME.
- AUTOMATIC RESET THERMAL LIMIT SWITCH.
- TUBULAR STEEL ELEMENT WITH STEEL FINS.



**5 TURNING VANES**  
NOT TO SCALE



**6 RETURN DROP GEOMETRY**  
NOT TO SCALE



**Chick-fil-A**  
5200 Buffington Road  
Atlanta, Georgia  
30349-2998

**Kurzynske & Associates**  
2705 Lebanon Pike - Suite One  
Nashville, Tennessee 37214  
Telephone: (615) 255-5203



**CHICK-FIL-A**  
**WENDELL FORD EXPY & HWY 54 FSU**  
3123 KY-54  
OWENSBORO, KY 42303

**FSR#05059**  
BUILDING TYPE / SIZE: P13 LSR LRG  
RELEASE: 22/05PRINTED FOR: CONSTRUCTION

NO.	DATE	DESCRIPTION
5	01/03/2024	DESIGNNOTES

CONSULTANT PROJECT # 2209E.H.S  
DATE 05/26/2022  
DRAWN BY BLM  
Information contained on this drawing and in all digital files produced for above named project may not be reproduced in any manner without express written or verbal consent from authorized project representatives.  
SHEET HVAC DETAILS AND SCHEDULES  
SHEET NUMBER

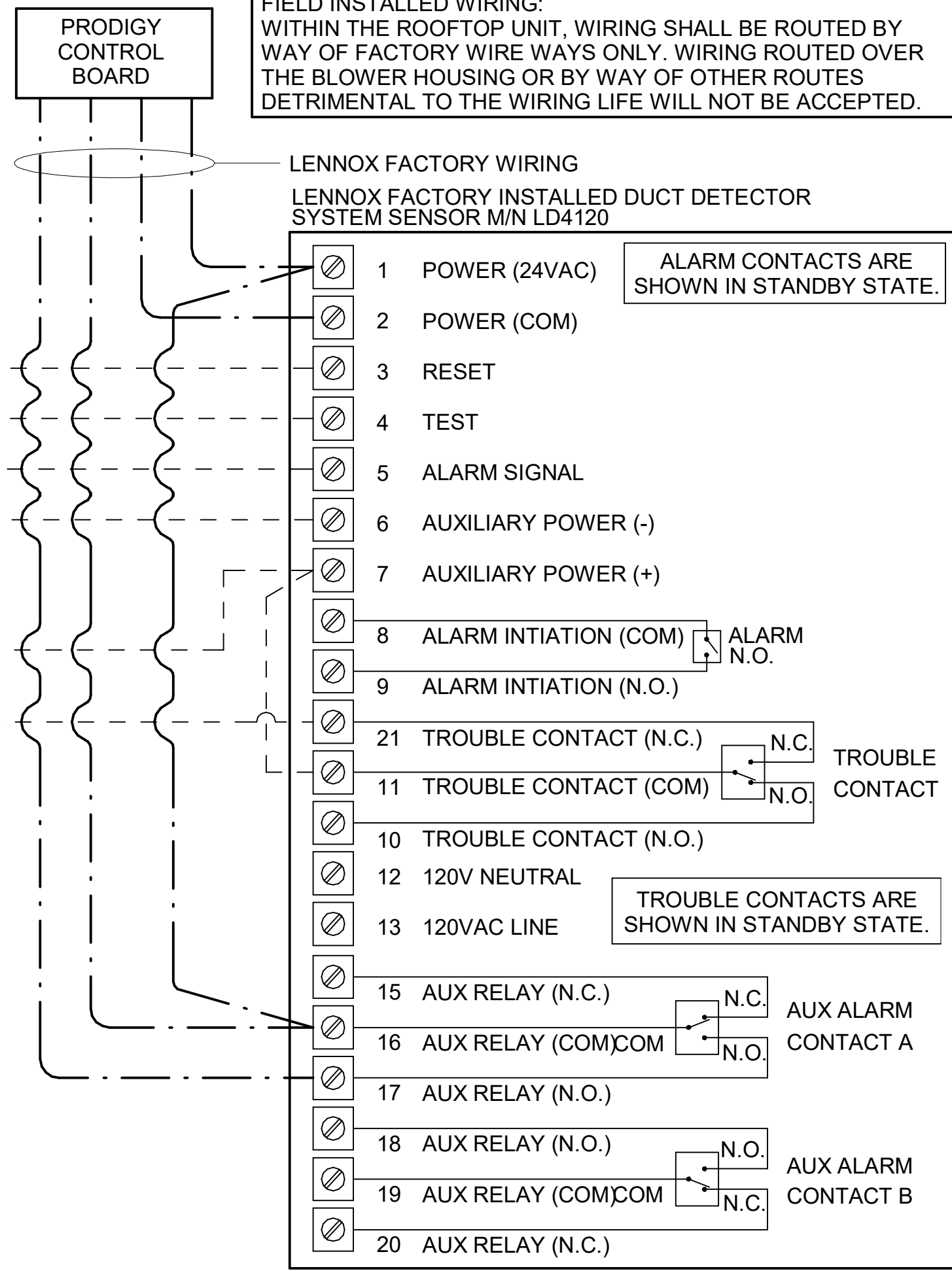
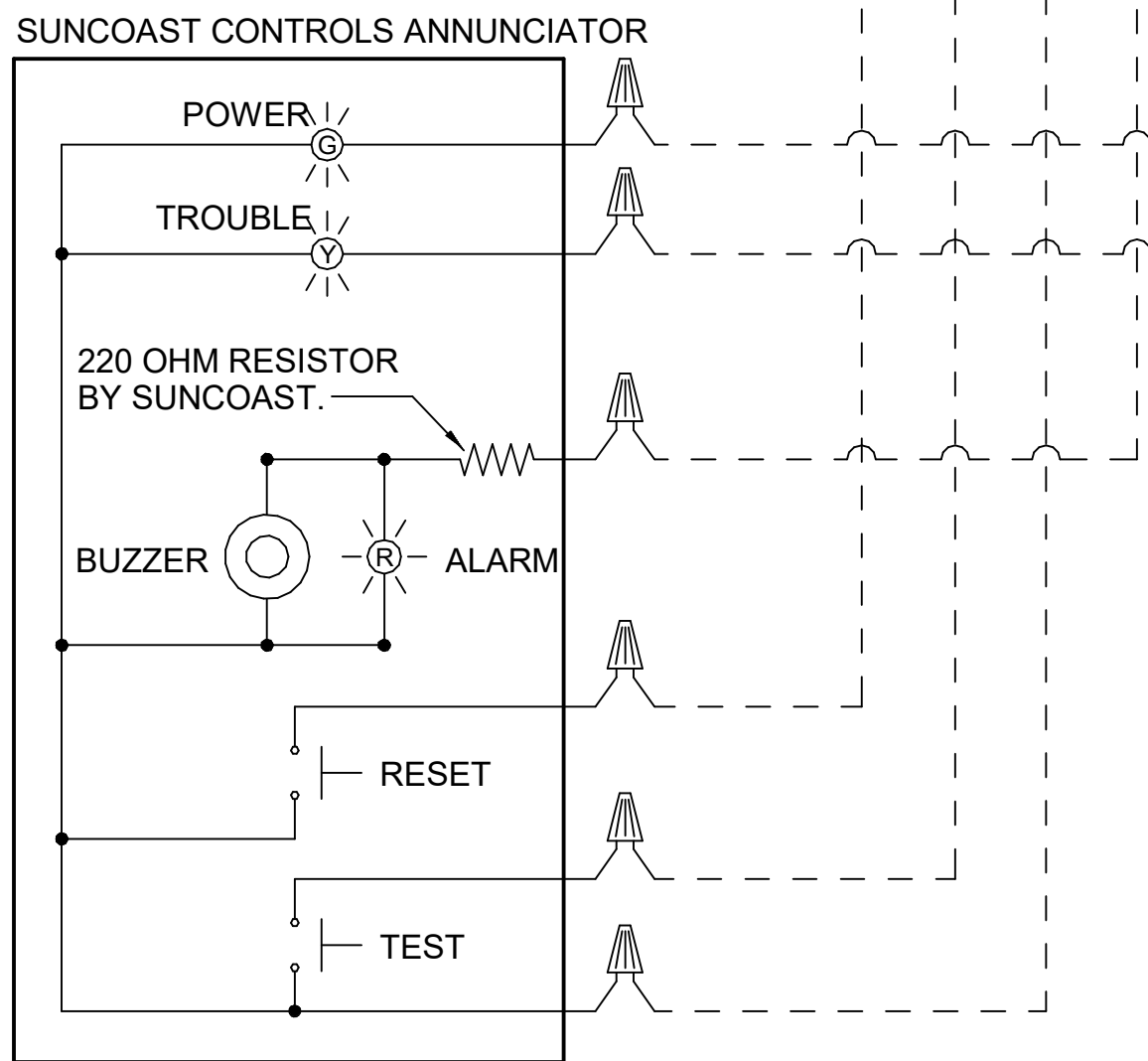
**M-401**

Autodesk Docs://KY\_05059\_Wendell Ford Expy & Hwy 54 FSU\_2022\_5\_FSR#05059\_Wendell Ford Expy & Hwy 54 FSU\_MEC.rvt  
1/17/2024 1:06:12 PM  
30-LSR-05059-M-401-HVAC DETAILS AND SCHEDULES

SUPPLY SIDE DETECTORS:  
IF SUPPLY SIDE SMOKE DETECTORS ARE SHOWN ON DWG M-201,  
AND CALLED FOR ON RTU SCHEDULE, THE CONTRACTOR IS TO  
RELOCATE FACTORY INSTALLED SUPPLY SMOKE DETECTOR FROM  
BLOWER SECTION TO DUCTWORK. SEE NOTES ON DWG M201.

LEGEND  
 - - - 18 AWG MIN WIRING BY MECH CONTRACTOR  
 - - - FACTORY ANNUNCIATOR DETECTOR WIRING  
 - - - FACTORY LENNOX WIRING

LABELING:  
PROVIDE ENGRAVED LABEL WITH 1" HIGH WHITE LETTERS ON BLACK BACKGROUND IDENTIFYING UNIT SERVED.



FIELD INSTALLED WIRING:  
WITHIN THE ROOFTOP UNIT, WIRING SHALL BE ROUTED BY WAY OF FACTORY WIREWAYS ONLY. WIRING ROUTED OVER THE BLOWER HOUSING OR BY WAY OF OTHER ROUTES DETRIMENTAL TO THE WIRING LIFE WILL NOT BE ACCEPTED.

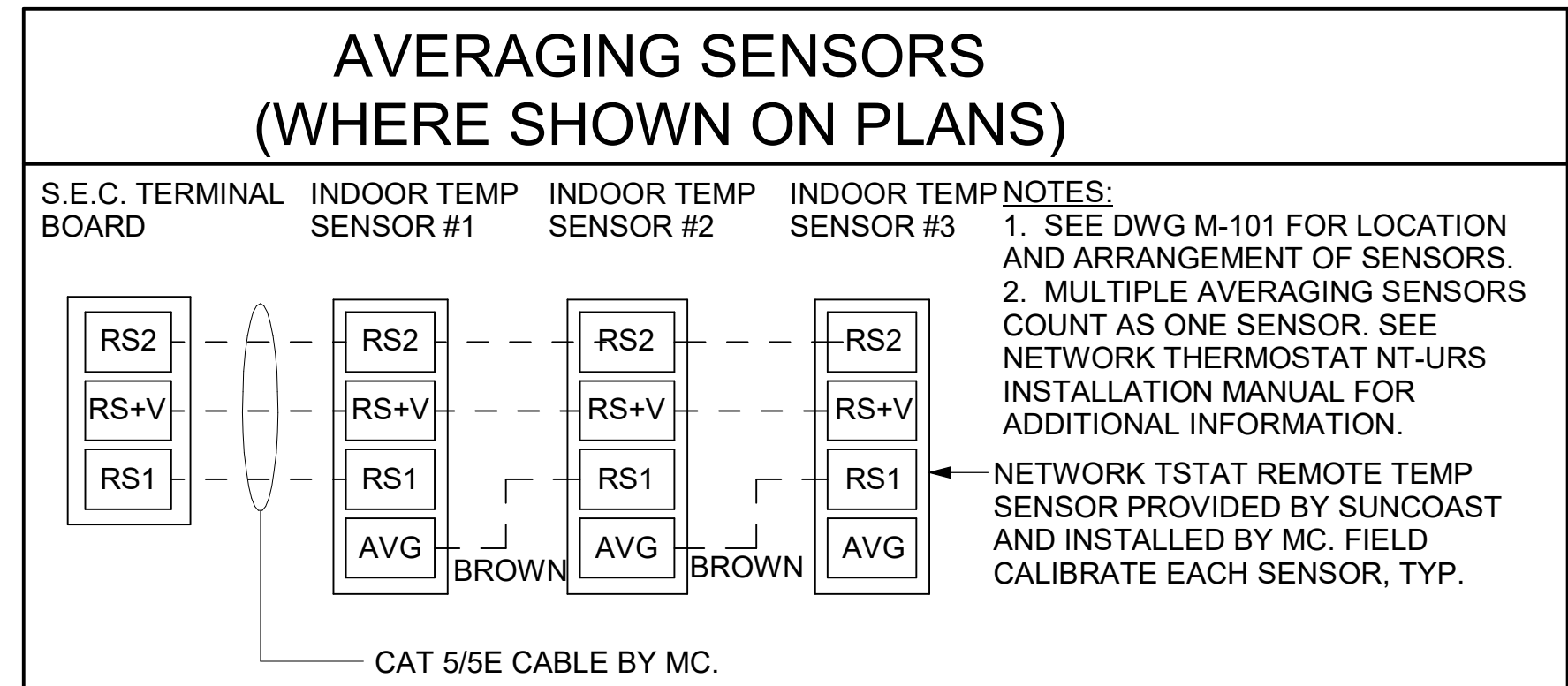
1 SMOKE DETECTOR AND ANNUNCIATOR WIRING DIAGRAM  
NOT TO SCALE

NOTES:  
 1. MECHANICAL CONTRACTOR SHALL MAKE PLASTIC LAMINATE OF THIS DETAIL AND INSTALL PERMANENTLY ON INSIDE DOOR OF ROOFTOP UNIT CONTROL COMPARTMENT.  
 2. SEE DETAILS THIS SHEET FOR SMOKE DETECTOR AND ANNUNCIATOR WIRING.  
 3. SET ALL THERMOSTATS FOR AUTO CHANGEOVER.  
 4. PROVIDE PLASTIC ENGRAVED LABEL AT ALL NEW SENSORS WITH 1/4" HIGH WHITE LETTERING ON BLACK BACKGROUND, I.E. "AC#2 HUMIDITY SENSOR" OR "AC#2 TEMP SENSOR". PLACE LABELS ON WALL ADJACENT TO DEVICE, DO NOT APPLY DIRECTLY TO DEVICE.

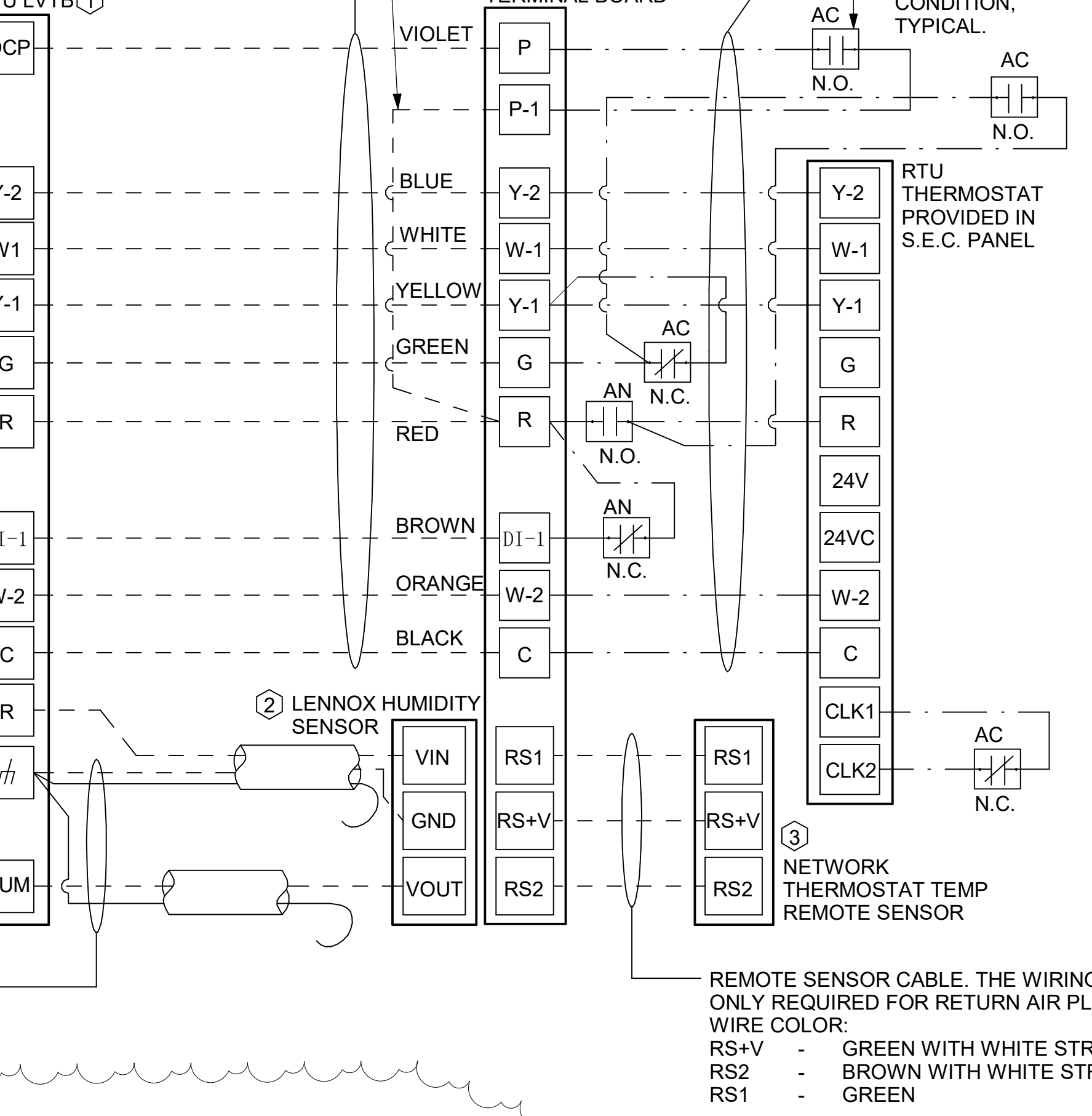
KEYED NOTES:  
 1. LOW VOLTAGE WIRING TO RTU TO BE ROUTED TO UNIT THRU FACTORY WIREWAY.  
 2. HUMIDITROL UNITS ONLY: WIRING TO HUMIDITY SENSOR TO BE MADE WITH TWO SEPARATE RUNS OF SHIELDED TWISTED PAIR. TERMINATE SHIELD WIRES AT TB-1. LEAVE OPEN AT SENSOR.  
 3. NETWORK TSTAT REMOTE TEMP SENSOR PROVIDED BY SUNCOAST AND INSTALLED BY MC. SENSOR IS INTENDED TO BE SURFACE MOUNTED AND DOES NOT REQUIRE A SINGLE GANG BOX OF CONDUIT. FIELD CALIBRATE EACH SENSOR.

LEGEND  
 S.E.C. SUNCOAST ENVIRONMENTAL CONTROLS (SUPPLIER OF TEMP/FAN CONTROL PANEL) LOCATED IN KITCHEN  
 1 KEY NOTE REFERENCE  
 MC MECHANICAL CONTRACTOR  
 AC SUNCOAST RELAY FACTORY INSTALLED AND WIRED IN CFA-500 PANEL, ENERGIZED BY PUTTING STORE SWITCH IN "STORE OCCUPIED" POSITION  
 AN SUNCOAST RELAY FACTORY INSTALLED AND WIRED IN CFA-500 PANEL, DENERGIZED WHEN ANSUL FIRE SUPPRESSION SYSTEM IS ACTIVATED, AS NOTED.  
 - - - ALL LOW VOLTAGE CABLING BY MC. ONLY USE CABLE SPECIFIED. NO SUBSTITUTIONS.  
 - - - LOW VOLTAGE WIRING BY S.E.C.  
 - - - LINE VOLTAGE BY ELECTRICIAN OR S.E.C.

USE TWO SEPARATE SHIELDED CABLES CONTAINING 18AWG MINIMUM, TWISTED PAIR CONDUCTORS WITH OVERALL SHIELD. BELDEN TYPE 8760 OR 88760 (PLENUM) OR EQUIVALENT. INSTALL PER LENNOX'S RELATIVE HUMIDITY SENSOR INSTALLATION INSTRUCTIONS.



NOTES:  
 1. SEE DWG M-101 FOR LOCATION AND ARRANGEMENT OF SENSORS.  
 2. MULTIPLE AVERAGING SENSORS COUNT AS ONE SENSOR. SEE NETWORK THERMOSTAT NT-URS INSTALLATION MANUAL FOR ADDITIONAL INFORMATION.  
 3. NETWORK TSTAT REMOTE TEMP SENSOR PROVIDED BY SUNCOAST AND INSTALLED BY MC. FIELD CALIBRATE EACH SENSOR, TYP.



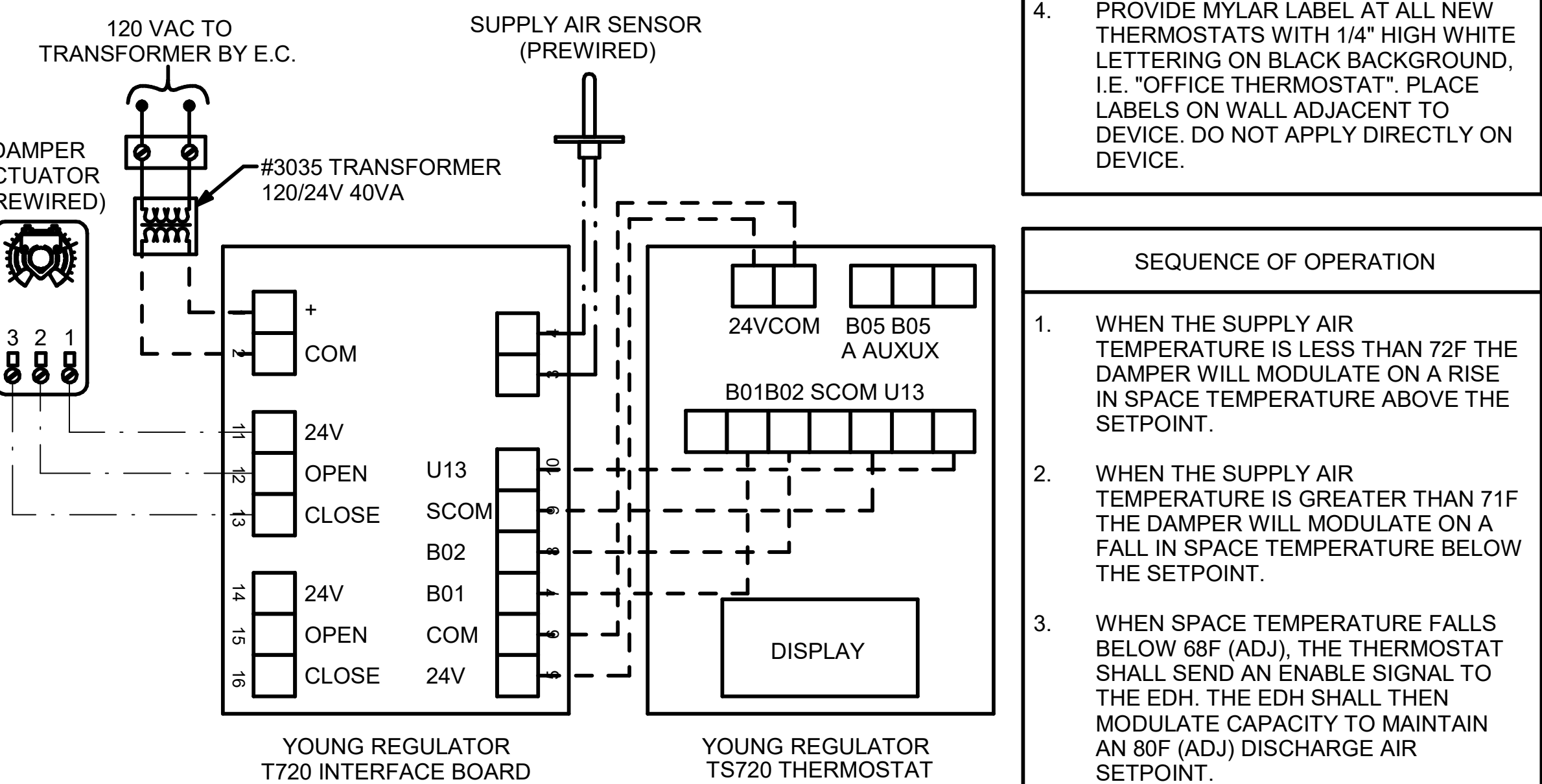
2 ROOFTOP UNIT CONTROL WIRING - LENNOX  
NOT TO SCALE

LENNOX PRODIGY 2.0 OR CORE UNIT CONTROLLER SETTINGS:  
 1. FOR ALL RTU'S EXCEPT AC#1, ELIMINATE THE MORNING WARMUP/OISA DAMPER DELAY. THE MENU PATH IS:  
 • MAIN MENU > SETTINGS > RTU OPTIONS > EDIT PARAMETERS  
 FOR GAS HEAT UNITS (LGT):  
 • CHANGE PARAMETER #65 SETTING TO 1 FOR ELECTRIC HEAT UNITS (LCT):  
 • CHANGE PARAMETER #58 TO 1  
 ON UNIT AC#1  
 • FOR GAS HEAT (LG) LEAVE AT 60-MINUTE DEFAULT  
 • FOR ELECTRIC HEAT (LC) CHANGE VALUE TO EQUAL 90-MINUTE  
 2. FOR HUMIDITROL UNITS THE MENU PATH IS:  
 • MAIN MENU > SETTINGS > RTU OPTIONS > DEHUMIDIFIER MODE > NO CONDITIONS  
 SELECT LOCAL SENSOR AND SAVE  
 • SET POINT: 60%  
 • DEHUMID DEADBAND: 2%  
 3. FOR ALL UNITS, SET BLOWER TO OPERATE AT ONE AIRFLOW FOR ALL MODES. MENU PATH IS:  
 • MAIN MENU > INSTALL > TEST AND BALANCE > BLOWER  
 • SET ALL HEATING AND COOLING CFM VALUES TO THE SAME VALUE AS SCHEDULED.  
 • ADJUST AIRFLOW BY MEANS OF ADJUSTABLE BLOWER MOTOR SHEAVE.

LENNOX FRESH AIR HEATING SETUP WHEN SPECIFIED:  
 1. INSTALL FRESH AIR TEMPERING KIT WIRING HARNESS AS RECOMMENDED BY LENNOX.  
 2. LOCATE SUPPLY AIR TEMPERATURE SENSOR IN SUPPLY DUCT DOWNSTREAM OF FIRST ELBOW. SECURE WIRING TO DUCT OR STRUCTURE WITH RUBBER COATED CLAMPS. DO NOT RUN WIRING INSIDE DUCT WORK. PROTECT ALL WIRING PENETRATIONS WITH RUBBER GROMMETS.  
 3. FOR PRODIGY 2.0 OR CORE UNIT CONTROLLER WITHIN MAIN MENU GO TO SET-UP TO TEST AND BALANCE TO DAMPER. FOLLOW MENU PATH SET FRESH AIR HEATING ENABLE TO "YES" SET FAH SETPOINT TO 68F THIS WILL TEMPER SUPPLY AIR BELOW 66F WITH INTERMITTENT HEATING WHEN THERMOSTAT IS NOT ACTIVELY CALLING FOR HEAT.  
 4. CHANGE PRODIGY 2.0 OR CORE UNIT CONTROLLER PARAMETER #157. WITHIN MAIN MENU GO TO SETTINGS TO RTU OPTIONS TO EDIT PARAMETER VALUE TO 14 FOR A 14F FAH DEADBAND AND SAVE.  
 5. CHANGE PRODIGY 2.0 OR CORE UNIT CONTROLLER PARAMETER #158. WITHIN MAIN MENU GO TO SETTINGS TO RTU OPTIONS TO EDIT PARAMETER ADJUST VALUE TO 300 SECONDS FOR 5 MINUTE CYCLE TIME AND SAVE.

REMOTE SENSOR CABLE. THE WIRING SHALL BE CAT5/E CABLE. PLENUM RATED CABLE IS ONLY REQUIRED FOR RETURN AIR PLENUM APPLICATIONS (OR WHERE REQUIRED BY THE AHJ).  
 WIRE COLOR:  
 RS+V - GREEN WITH WHITE STRIPE  
 RS2 - BROWN WITH WHITE STRIPE  
 RS1 - GREEN

3 DAMPER AND TSTAT - MGRS OFFICE & TEAM MEMBER ROOM  
NOT TO SCALE

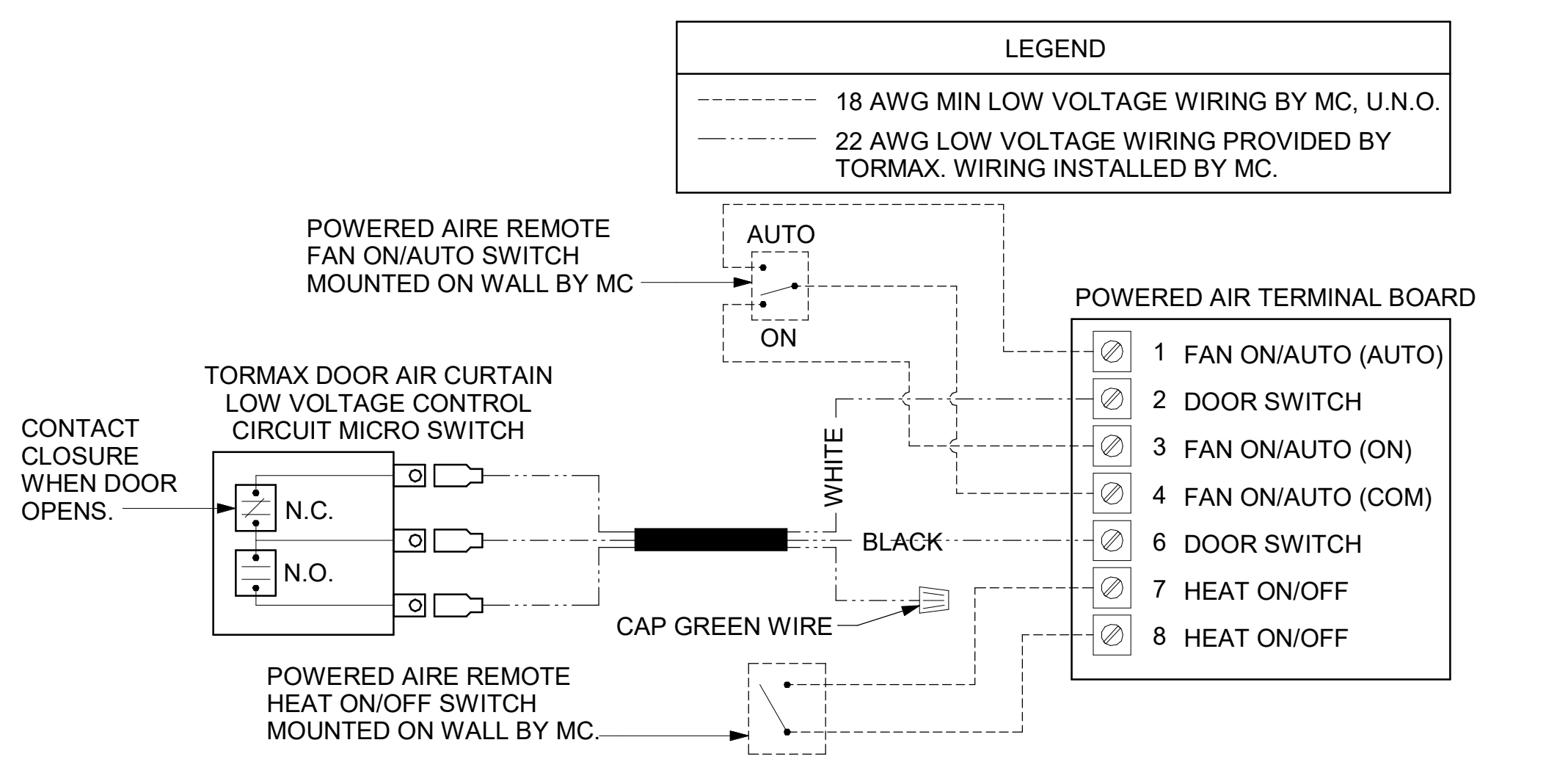


PROVIDE A PROFESSIONALLY LAMINATED COPY OF THESE DETAILS TO BE INSTALLED INSIDE THE ROOFTOP UNIT CONTROL CABINET. USE A SETON CHART FRAME STYLE #68624, TELEPHONE NUMBER 800-243-6624. FOR MOUNTING THE DETAIL, ATTACH THE FRAME TO THE INTERIOR OF THE UNIT IN PLAIN AND EASY VIEW OF THE CONTROLS SECTION. CONTACT ENGINEER OF RECORD FOR A REPRODUCIBLE COPY OF THE DETAIL.

NOTES  
 1. SEE DWG M-201 FOR COMPONENT MODEL NUMBERS AND ORDERING INFORMATION.  
 2. 120V POWER FOR TRANSFORMER TO BE NON SWITCHED AND LIVE 24 HOURS EACH DAY.  
 3. PROVIDE ALL NECESSARY WIRING AND COMPONENTS TO MAKE CONTROL AND POWER CONNECTIONS TO TRANSFORMER, ZONE DAMPER, AND THERMOSTAT PER MANUFACTURER'S IOM.  
 4. PROVIDE MYLAR LABEL AT ALL NEW THERMOSTATS WITH 1/4" HIGH WHITE LETTERING ON BLACK BACKGROUND, I.E. "OFFICE THERMOSTAT". PLACE LABELS ON WALL ADJACENT TO DEVICE. DO NOT APPLY DIRECTLY ON DEVICE.

SEQUENCE OF OPERATION  
 1. WHEN THE SUPPLY AIR TEMPERATURE IS LESS THAN 72F THE DAMPER WILL MODULATE ON A RISE IN SPACE TEMPERATURE ABOVE THE SETPOINT.  
 2. WHEN THE SUPPLY AIR TEMPERATURE IS GREATER THAN 71F THE DAMPER WILL MODULATE ON A FALL IN SPACE TEMPERATURE BELOW THE SETPOINT.  
 3. WHEN SPACE TEMPERATURE FALLS BELOW 68F (ADJ), THE THERMOSTAT SHALL SEND AN ENABLE SIGNAL TO THE EDH. THE EDH SHALL THEN MODULATE CAPACITY TO MAINTAIN AN 80F (ADJ) DISCHARGE AIR SETPOINT.

4 AIR CURTAIN WIRING DIAGRAM  
NOT TO SCALE



LEGEND  
 - - - 18 AWG MIN LOW VOLTAGE WIRING BY MC, U.N.O.  
 - - - 22 AWG LOW VOLTAGE WIRING PROVIDED BY TORMAX. WIRING INSTALLED BY MC.



Chick-Fil-A  
 Chick-Fil-A  
 5200 Buffington Road  
 Atlanta, Georgia  
 30349-2998

Kurzynske & Associates  
 2705 Lebanon Pike - Suite One  
 Nashville, Tennessee 37214  
 Telephone: (615) 255-5203



01/17/2024

CHICK-FIL-A  
 WENDELL FORD EXPY &  
 HWY 54 FSU  
 3123 KY-54  
 OWENSBORO, KY 42303

FSR#05059

BUILDING TYPE / SIZE: P13 LSR LRG  
 RELEASE: 22.05  
 PRINTED FOR CONSTRUCTION  
 REVISION SCHEDULE  
 NO. DATE DESCRIPTION  
 5 01/03/2024 DESIGNNOTES

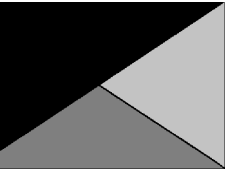
CONSULTANT PROJECT # 22096.EH.S  
 DATE 05/26/2022  
 DRAWN BY BLM

Information contained on this drawing and in all digital files produced for above named project may not be reproduced in any manner without express written or verbal consent from authorized project representatives.  
 SHEET HVAC CONTROLS

SHEET NUMBER M-501



**Chick-fil-A**  
5200 Buffington Road  
Atlanta, Georgia  
30349-2998



**Kurzynske & Associates**  
2705 Lebanon Pike - Suite One  
Nashville, Tennessee 37214  
Telephone: (615) 255-5203



01/17/2024

**CHICK-FIL-A**  
**WENDELL FORD EXPY &**  
**HWY 54 FSU**  
**3123 KY-54**  
**OWENSBORO, KY 42303**

**FSR#05059**

BUILDING TYPE / SIZE: P13 LSR ALL  
RELEASE: 22.05  
PRINTED FOR:  
CONSTRUCTION  
REVISION SCHEDULE

NO. DATE DESCRIPTION

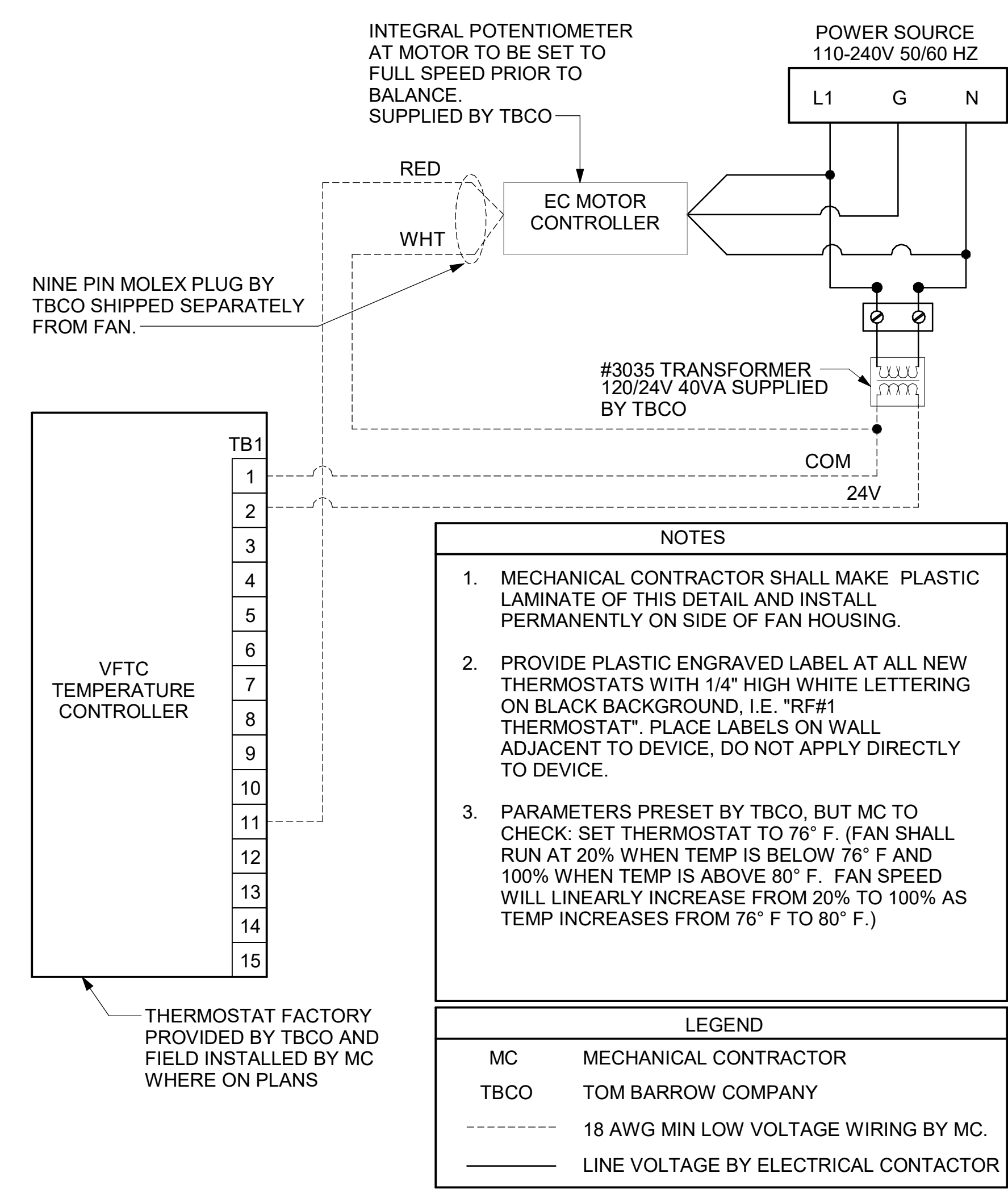
CONSULTANT PROJECT # 22096.EH.S  
DATE 05/26/2022  
DRAWN BY BLM

Information contained on this drawing and in all digital files produced for above named project may not be reproduced in any manner without express written or verbal consent from authorized project representatives.

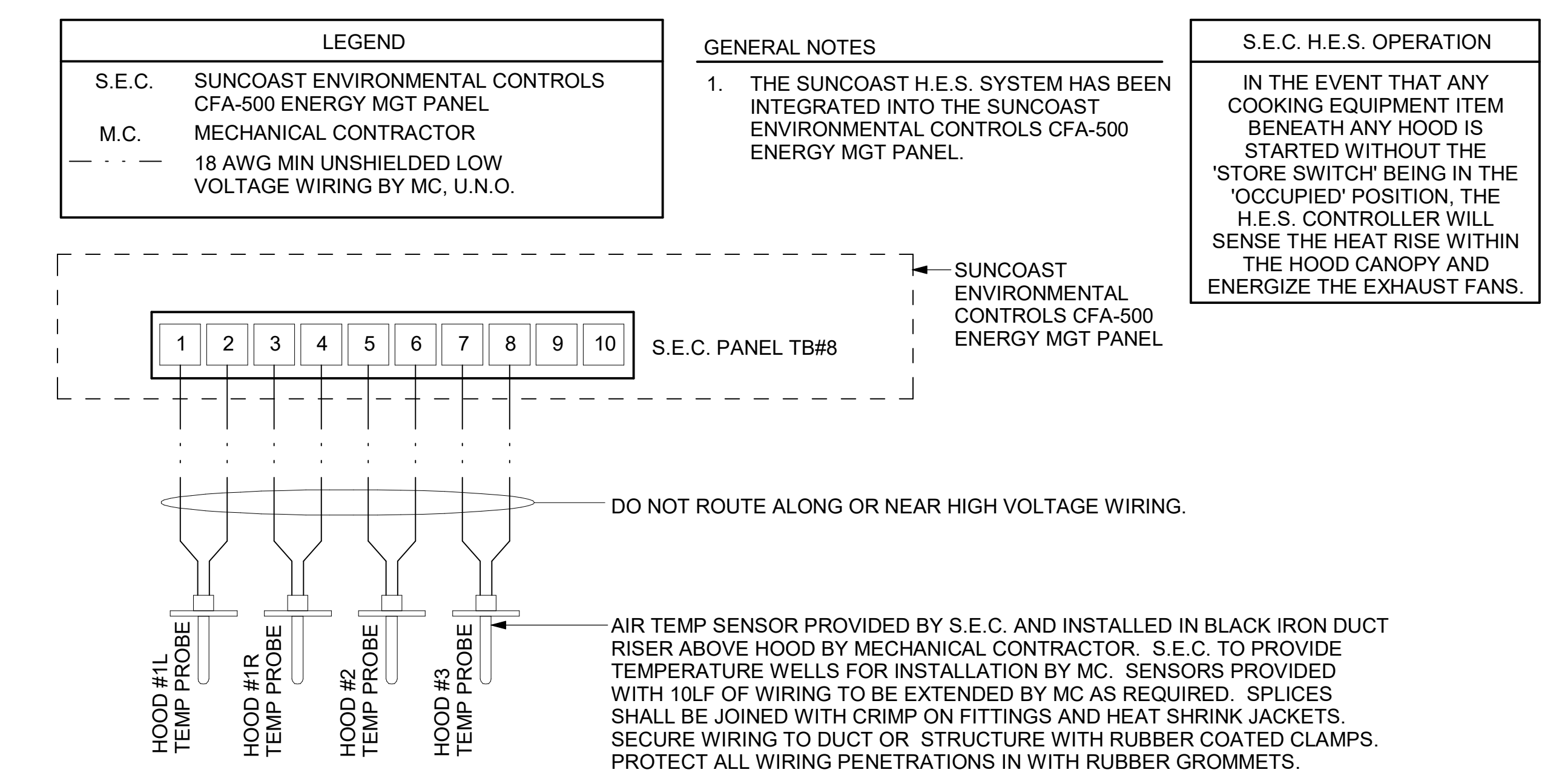
SHEET HVAC CONTROLS

SHEET NUMBER

**M-502**



**2 TECH CLOSET CONTROL DIAGRAM**  
NOT TO SCALE



**1 HOOD FAN/EQUIPMENT INTERLOCK - 3 Hood (4 Collars) - CFA500 Integrated**  
1/4" = 1'-0"

1. SECTION C15000 - MECHANICAL SPECIFICATIONS

PART I - GENERAL

1.01 SCOPE

- A. IT IS THE RESPONSIBILITY OF CONTRACTOR TO READ ALL SPECIFICATIONS AND CONSULT ALL DRAWINGS WHICH MAY AFFECT THE INSTALLATION AND COORDINATION OF HIS WORK WITH OTHER TRADES. CONTRACTOR SHALL COORDINATE AND MAKE MINOR ADJUSTMENTS IN LOCATION OF EQUIPMENT AND MATERIALS AS NECESSARY TO SECURE COORDINATION.
- B. COMPLETED INSTALLATION SHALL CONFORM TO ALL APPLICABLE FEDERAL, STATE AND LOCAL CODES AND ORDINANCES, INCLUDING BUT NOT LIMITED TO THE LATEST APPROVED EDITIONS OF NFPA-96, NFPA-90A, NFPA-54, SMACNA, ASHRAE 90.1 AND ASHRAE 62.
- C. SYSTEM LAYOUT IS SCHEMATIC AND EXACT LOCATIONS SHALL BE DETERMINED BY STRUCTURAL CONDITIONS, COORDINATION WITH OTHER TRADES, COORDINATION WITH FINISHES AND OTHER CONDITIONS. STRUCTURAL SUPPORTS SHALL NOT BE CUT OR ALTERED TO ASSURE FIT OF HVAC SYSTEM. TEN FOOT CLEARANCE SHALL BE MAINTAINED BETWEEN OUTSIDE AIR INTAKES AND EXHAUST FANS AND PLUMBING VENT TERMINALS.
- D. CONTRACTOR SHALL BE RESPONSIBLE FOR ALL DEFECTS, REPAIRS AND REPLACEMENTS IN MATERIALS AND WORKMANSHIP FOR A PERIOD OF ONE (1) YEAR AFTER FINAL PAYMENT IS APPROVED. CONTRACTOR SHALL HONOR FACTORY WARRANTIES ON ALL EQUIPMENT PROVIDED AS PART OF THIS SYSTEM.
- E. UPON COMPLETION OF PROJECT, ALL SYSTEM EQUIPMENT AND MATERIALS SHALL BE IN NEW, CLEAN CONDITION WITH ALL DAMAGE RESTORED TO CONDITION ACCEPTABLE TO THE OWNERS REPRESENTATIVE. ALL EQUIPMENT, COMPONENTS, DUCTWORK AND AIR DEVICES SHALL BE INSPECTED AND THOROUGHLY CLEANED, CLEARED OF DEBRIS, AND READY FOR USE. AT COMPLETION OF JOB, ALL MISCELLANEOUS TOOLS, SCAFFOLDING, SURPLUS MATERIALS, RUBBISH AND DEBRIS SHALL BE REMOVED BY CONTRACTOR.
- F. CONTRACTOR SHALL PROVIDE TWO SETS OF 2" MERV 8 OR HIGHER THROW AWAY TYPE FILTERS. A CLEAN SET SHALL BE PROVIDED PRIOR TO TEST AND BALANCE AND AGAIN PRIOR TO OPENING.

PART II - PRODUCTS

2.01 HEATING AND COOLING EQUIPMENT (C15730)

- A. FURNISH AND INSTALL R-410A ROOFTOP SINGLE PACKAGE COMBINATION ELECTRIC COOLING AND NATURAL GAS FIRED HEATING UNITS BY LENNOX AS SHOWN ON DRAWINGS. EQUIPMENT SHALL BE ARI CERTIFIED AND A.G.A. AND U.L. LISTED.
- B. ACCESSORIES SHALL INCLUDE LOW AND HIGH PRESSURE SAFETIES, CRANK CASE HEATER, OVERCURRENT AND OVERTEMPERATURE SAFETY, COMPRESSOR VIBRATION ISOLATORS, FILTER DRIERS, REFRIGERANT SERVICE VALVES, COIL HAIL GUARDS WHERE SCHEDULED, CONVENIENCE OUTLETS FACTORY INSTALLED ON SCHEDULED UNITS, UNIT MOUNTED NON-FUSED DISCONNECTS, LOW AMBIENT OPERATION DOWN TO 30 DEGREES F AND EVAPORATOR FREEZE STAT.
- C. COMPRESSORS SHALL BE FULLY HERMETIC SCROLL TYPE WITH INTERNAL VIBRATION ISOLATORS. COMPRESSORS SHALL BE PROVIDED WITH A MINIMUM FIVE (5) YEAR FULL WARRANTY.
- D. THE UNIT HEAT EXCHANGERS SHALL BE STEEL WITH ALUMINIZED STEEL COATING. HEATING CONTROLS SHALL CONSIST OF REDUNDANT GAS VALVES, INTERMITTENT PILOT WITH ELECTRONIC SPARK OR HOT PLATE IGNITION SYSTEM, COMBUSTION/EXHAUST FAN PROTECTED BY CENTRIFUGAL SWITCHES, HEAT LIMIT SWITCHES, TIME-DELAY RELAY, FLAME, AND PILOT SENSORS. ALL UNITS SHALL BE CAPABLE OF TWO STAGES OF HEAT. HEAT EXCHANGES SHALL HAVE A TEN (10) YEAR WARRANTY. BURNERS SHALL BE ALUMINIZED IN-SHOT TYPE. THE DRAFT MOTOR SHALL BE MONITORED BY THE CONTROL SYSTEM.
- E. CHICK-FIL-A MAINTAINS A NATIONAL ACCOUNT FOR EQUIPMENT WITH LENNOX CORPORATION. PRICING FOR THE EQUIPMENT HAS BEEN ESTABLISHED IN ADVANCE. CONTACT LENNOX NATIONAL ACCOUNTS AT 972-497-6260 (OR BY FAX AT 972-497-5112) FOR PRICING, ORDERING AND AVAILABILITY.

2.02 DUCTWORK (C15735) (SEE DWG M-301 FOR ADDITIONAL GREASE DUCT SYSTEM REQ.)

- A. ACCEPTABLE MANUFACTURERS OF INSULATION ARE MANVILLE, OWENS CORNING OR KNAUF.
- B. ALL DUCTWORK SHALL BE SHEET METAL, UNLESS NOTED OTHERWISE (U.N.O.).
- C. DUCT DIMENSIONS SHOWN ARE INSIDE CLEAR DIMENSIONS, U.N.O.
- D. CONSTRUCTION OF DUCTWORK SHALL MEET SMACNA 1" W.C. PRESSURE CLASS STANDARD AND RECOMMENDATIONS. SMACNA SHALL BE FOLLOWED WITH RESPECT TO GAGE THICKNESS, JOINTS, REINFORCING, CONSTRUCTION, INSTALLATION AND SUPPORT FOR PRESSURE CLASS STATED. ALL TRANSVERSE JOINTS IN RECTANGULAR AND ROUND DUCT INCLUDING DUCT CONNECTION TO AIR DEVICE COLLAR SHALL BE SEALED PER SMACNA SEAL CLASS C WITH U.L. DUCT MASTIC SEALANT APPROVED FOR INTENDED USE. DUCT TAPE IS NOT AN ACCEPTABLE SUBSTITUTE FOR MASTIC UNLESS EQUAL TO HARDCAST FOIL-GRIP 1402 BUTYL RUBBER ADHESIVE TAPE.
- E. DUCT SHALL BE SUPPORTED AT BASE OF DUCT DROPS. CURB DUCT RAILS ARE NOT INTENDED TO AND SHALL NOT SUPPORT THE WEIGHT OF THE DUCT.
- F. ALL DUCT INSULATION SHALL MEET MINIMUM R-VALUE REQUIRED BY ASHRAE 90.1 LATEST EDITION. ALL DUCT WRAP SHALL BE MINIMUM 2" THICK, 3/4 PCF AND 6 R-VALUE INSTALLED WITH EITHER A VAPOR BARRIER WITH MAXIMUM PERMEANCE 0.05 OR A MINIMUM 2 MIL ALUMINUM REINFORCED FOIL/KRAFT FACING.
- G. ALL DUCT DROPS FROM THE ROOFTOP UNITS SHALL BE EXTERNALLY INSULATED.
- H. SUPPLY AND RETURN AIR DUCTWORK SERVING ALL AREAS SHALL BE EXTERNALLY INSULATED.
- I. ALL AIR CONVEYANCE COMPONENTS SUCH AS, BUT NOT LIMITED TO DUCT, DUCT PLENUMS, GRILLES/DIFFUSERS, BACK PANS, AND BOOTS SHALL BE INSULATED. INSULATION TYPE IS COVERED ELSEWHERE IN THIS SPECIFICATION.
- J. RESTROOM RECTANGULAR EXHAUST AIR DUCTWORK SHALL BE LINED WITH 1" THICK, 1-1/2 PCF INSULATION. RESTROOM ROUND EXHAUST DUCT SHALL BE EXTERNALLY INSULATED PER SECTION 2.02F.
- K. TRUNK DUCTS SHALL BE ISOLATED FROM UNIT VIBRATION WITH THE USE OF NFPA AND U.L. APPROVED FLEXIBLE CONNECTORS INSTALLED AT THE TOP OF BOTH SUPPLY AND RETURN DROPS.
- L. INSULATED FLEXIBLE DUCT MAY BE UTILIZED FOR RUNOUTS TO GRILLES AND DIFFUSERS ONLY IN THE HORIZONTAL POSITION AND IN MAXIMUM LENGTHS OF 4'-0", NO EXCEPTIONS. SEE TAKE-OFF DETAIL ON DRAWING M-401.
- M. CONSTRUCTION OF FLEXIBLE DUCTWORK SHALL INCLUDE SPIRAL METAL HELIX BONDED TO A POLYESTER CORE, FIBERGLASS INSULATION WITH POLYETHYLENE OR MYLAR VAPOR BARRIER. ALL COMPONENTS SHALL HAVE APPROPRIATE U.L. APPROVAL AND SHALL BE EQUIVALENT TO THERMAFLEX MKE.
- N. FLEXIBLE DUCT SHALL BE INSTALLED PER THE "ADC FLEXIBLE DUCT PERFORMANCE AND INSTALLATION STANDARDS, 4TH ED" USING FOIL TAPE AND DRAWBAND ON THE INNER CORE AND TAPE OR DRAWBAND ON THE OUTER JACKET.
- O. DUCT TAPE SHALL BE EQUAL TO FASSON 181-B FX, 2-1/2" WIDE.
- P. SINGLE THICKNESS TURNING VANES SHALL BE INSTALLED AT 90 DEGREE TURNS IN SUPPLY DUCTWORK WHERE ANY ONE DIMENSION IS GREATER THAN 12".
- Q. RADIUSSED ELBOWS MAY BE SUBSTITUTED FOR 90 DEGREE ELBOWS AT THE DISCRETION OF THE CONTRACTOR. CENTERLINE RADIUS EQUAL TO, R-W PER FIGURE NO. 4-2 IN SMACNA HVAC DUCT CONSTRUCTION STANDARDS.
- R. EXTERNAL INSULATION ON BOTTOM OF DUCTS 24" OR WIDER SHALL BE SUPPORTED WITH STICK PINS ON 18" CENTERS. STICK PIN WASHERS SHALL BE COVERED WITH DUCT TAPE OR MASTIC.

2.03 CONTROLS (C15735)

- A. SYSTEMS SHALL BE COMPLETE WITH CONNECTIONS TO CFA-500 TEMPERATURE CONTROL PANEL AS MANUFACTURED BY SUNCOAST ENVIRONMENTAL CONTROLS (S.E.C.) (PH: 877-544-6679). THE PANEL IS PROVIDED AND MOUNTED BY THE ELECTRICAL CONTRACTOR. CONTROL WIRING TERMINATIONS ARE BY THE MECHANICAL CONTRACTOR.
- B. THE SMOKE DETECTORS SHALL BE FACTORY INSTALLED AND WIRED BY THE ROOFTOP UNIT MANUFACTURER.
- C. A FACTORY INSTALLED SMOKE DETECTOR IN THE RETURN AIR SECTION OF EACH AIR CONDITIONING UNIT SHALL STOP THE INDOOR FAN AND CLOSE THE OUTSIDE AIR DAMPER IN THE EVENT OF EXCESSIVE TEMPERATURE OR SMOKE. SMOKE DETECTOR SHALL BE LOCATED PRIOR TO ANY EXHAUST FROM THE BUILDING OR MIXING WITH FRESH AIR MAKE-UP. UPON DETECTION, THE SYSTEM SHALL NOT RESTART UNTIL THE DEVICE IS MANUALLY RESET. DEVICES SHALL BE LOCATED WHERE THEY CAN BE EASILY ACCESSED AND WHERE CLEAR OF FILTERS.
- D. CHICK-FIL-A HAS A NATIONAL ACCOUNT WITH SUNCOAST ENVIRONMENTAL CONTROLS FOR THE SMOKE DETECTOR TEST/RESET ANNUNCIATOR STATIONS. THE TEST/RESET STATIONS WILL BE PURCHASED BY THE ELECTRICAL CONTRACTOR AS A PART OF A NATIONAL ACCOUNT PACKAGE AND TURNED OVER TO THE MECHANICAL CONTRACTOR FOR INSTALLATION.
- E. THE REMOTE TEST/RESET ANNUNCIATORS SHALL BE PROVIDED BY THE ELECTRICAL CONTRACTOR AND INSTALLED BY THE MECHANICAL CONTRACTOR. INSTALLATION BY MECHANICAL SHALL INCLUDE MOUNTING OF THE ANNUNCIATORS AND ALL WIRING FROM EACH DEVICE TO THE RTU. ELECTRICAL WILL PROVIDE A JUNCTION BOX IN THE WALL WITH 1/2" CONDUIT STUBBED UP ABOVE THE CEILING FOR EACH REMOTE TEST STATION AS SHOWN ON THE ELECTRICAL PLANS. ANNUNCIATOR SHALL BE SUNCOAST CONTROLS REMOTE TEST/RESET STATION WITH POWER LED, TROUBLE LED, ALARM LED, 90DB HORN AND TEST/RESET BUTTON.
- F. THE RESTROOM FAN SHALL BE INTERLOCKED TO THE LIGHTS SERVING THE MEN AND WOMEN'S RESTROOMS. THE HOOD FANS SHALL BE CONTROLLED VIA THE SUNCOAST CFA-500 CONTROL PANEL. WIRING, RELAYS AND SWITCHES FOR CONTROL OF ALL FANS ARE BY ELECTRICAL CONTRACTOR.
- G. LENNOX UNITS - THERMOSTATS ARE PROVIDED AND INTEGRATED INTO THE TEMPERATURE CONTROL PANEL BY SUNCOAST ENVIRONMENTAL CONTROLS. SUNCOAST WILL PROVIDE A NETWORK THERMOSTAT US32-CFA THERMOSTAT PRE-WIRED IN THE TEMPERATURE CONTROL PANEL. A REMOTE TEMPERATURE SENSOR FOR EACH THERMOSTAT IS ALSO PROVIDED. MECHANICAL CONTRACTOR SHALL INSTALL ALL WIRING BETWEEN THE THERMOSTAT, THE REMOTE SENSOR AND THE ROOFTOP UNIT.
- H. MECHANICAL CONTRACTOR SHALL INSTALL CONTROL WIRING IN 1/2" CONDUIT WHERE REQUIRED BY CODE. WHERE NOT REQUIRED TO BE IN CONDUIT, ALL WIRING SHALL BE RUN PARALLEL TO STRUCTURAL MEMBERS OR PERPENDICULAR WITH NO DIAGONAL ROUTING. ALL WIRING SHALL BE SECURED TO THE FRAMING TO PREVENT SAGGING IN RUNS. WIRING TO ROOFTOP UNITS SHALL BE ROUTED THROUGH THE FACTORY THRU-BASE FITTING IN THE UNIT BASE. NO SPLICING OF WIRING WILL BE ACCEPTED. ALL WIRING ABOVE THE ROOF SHALL BE INSTALLED IN EXTERIOR GRADE FLEXIBLE CONDUIT. ALL CONTROL WIRING AND CONTROL WIRING CONDUIT SHALL BE FURNISHED AND INSTALLED BY THE MECHANICAL CONTRACTOR. WIRING SHALL BE INSTALLED IN ACCORDANCE WITH LATEST EDITION OF NEC. ALL LOW VOLTAGE CONTROL WIRING SHALL BE NO LESS THAN 18 AWG MIN. CONTROL WIRING CONDUCTORS SHALL BE SIZED TO ACCOUNT FOR LOAD AND LENGTH OF RUN TO ALLOW SUFFICIENT VOLTAGE AVAILABLE AT CONTROLLED DEVICE TO OPERATE THE SYSTEM RELIABLY.

PART III - EXECUTION

3.01 SCOPE

- A. FURNISH AND INSTALL SYSTEM IN ACCORDANCE WITH REFERENCED STANDARDS, APPLICABLE CODES, MANUFACTURER'S RECOMMENDATIONS AND AS INDICATED ON DRAWINGS.
- B. CONTRACTOR SHALL INSTRUCT THE OWNER'S REPRESENTATIVE IN ALL MATTERS PERTAINING TO THE PROPER MAINTENANCE OF EQUIPMENT FURNISHED UNDER THIS CONTRACT THROUGH DEMONSTRATION AND EXPLANATION OF OPERATING & MAINTENANCE MANUALS.
- C. CONTRACTOR SHALL PROVIDE A "SAMPLE MAINTENANCE PROPOSAL" TO THE OWNER'S REPRESENTATIVE IN ALL MATTERS PERTAINING TO THE PROPER MAINTENANCE OF EQUIPMENT FURNISHED UNDER THIS CONTRACT.
- D. CONTRACTOR SHALL COMPLETE A/C EQUIPMENT STARTUP DOCUMENTATION PROVIDED BY OWNER AND/OR MANUFACTURER. THIS SHALL INCLUDE RE-TORQUE OF ALL FIELD AND FACTORY HIGH VOLTAGE CONNECTIONS.

3.02 LEED PROJECTS

- A. CONTRACTOR SHALL COMPLETE RECEIPT INSPECTION CHECKLISTS PROVIDED IN THE COMMISSIONING PLAN WITHIN 5 DAYS OF RECEIVING EQUIPMENT ON SITE.
- B. CONTRACTOR SHALL COMPLETE PRE-FUNCTIONAL CHECKLISTS PROVIDED IN THE COMMISSIONING PLAN. CHECKLISTS SHALL BE RETURNED AT LEAST 5 DAYS PRIOR TO SCHEDULING FUNCTIONAL PERFORMANCE TESTING.
- C. CONTRACTOR SHALL PROVIDE A TECHNICIAN TO ASSIST THE THIRD PARTY COMMISSIONING AUTHORITY WITH FUNCTIONAL TESTING. FUNCTIONAL TESTING SHALL OCCUR AFTER ALL CONTROLS HAVE BEEN INSTALLED AND VERIFIED AND AFTER TEST AND BALANCE IS COMPLETE. THE FUNCTIONAL PERFORMANCE TEST PROCEDURES CAN BE FOUND IN THE COMMISSIONING PLAN.
- D. IF THE TOTAL TIME REQUIRED TO CORRECT PROBLEMS DURING TESTING IS GREATER THAN FORTY-FIVE (45) MINUTES (UNLESS EXTENUATING CIRCUMSTANCES EXIST), THE TEST SHALL BE CONSIDERED FAILED AND MUST BE REPEATED IN ITS ENTIRETY.
- E. RE-TESTING: DURING THE COURSE OF THE RETEST, IF AT ANY POINT A MAJOR DEFICIENCY IS DISCOVERED, THE TEST WILL BE STOPPED. REPEAT TESTS UNTIL ACCEPTABLE RESULTS ARE ACHIEVED. IF MORE THAN TWO FUNCTIONAL PERFORMANCE TESTS (ONE INITIAL TEST AND ONE RETEST) FOR ANY TYPE OF EQUIPMENT DUE TO ISSUES THAT THE CONTRACTOR HAD DIRECT OR INDIRECT CONTROL OVER ARE REQUIRED, THE COSTS FOR THE CFA TO WITNESS RETESTING OF SIMILAR TYPES OF EQUIPMENT UNTIL SATISFACTORY RESULTS ARE OBTAINED SHALL BE THE RESPONSIBILITY OF THE CONTRACTOR.

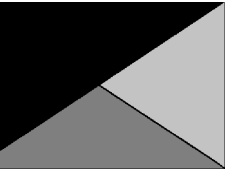
3.03 TEST & BALANCE

- A. OWNER SHALL TEST AND BALANCE MECHANICAL SYSTEM IN ACCORDANCE WITH NEBB, NBC OR AABC STANDARDS TO ASSURE CONFORMANCE WITH DESIGN. G.C. WILL MAKE MECHANICAL CONTRACTOR AVAILABLE DURING TEST AND BALANCE TO ASSIST TESTING AGENCY AND TO MAKE CORRECTIONS IMMEDIATELY NECESSARY. CONTRACTOR SHALL CORRECT ITEMS ON WRITTEN TEST AND BALANCE REPORT.
- B. ALL EQUIPMENT TO BE BALANCED MUST HAVE GONE THRU SUCCESSFUL START-UP PROCEDURE BY THE MECHANICAL CONTRACTOR (MC) PRIOR TO TAB VISIT.
- C. THE FLOOR OF THE RESTAURANT SHALL BE CLEARED OF DEBRIS, STAGED CONSTRUCTION MATERIALS, EQUIPMENT, ETC. WHICH MAY, IN THE OPINION OF THE TAB TECHNICIAN, OBSTRUCT ACCESS TO AIR DISTRIBUTION COMPONENTS IN AND ABOVE THE CEILING.
- D. EQUIPMENT ACCESS PANELS, DUCT AIR DEVICES SUCH AS BALANCING DAMPERS AND ACTUATORS SHALL BE ACCESSIBLE AND CLEAR OF PIPING, CONDUIT, FRAMING, SUPPORTS ETC...
- E. PROVIDE AN 8 FT PORTABLE A-FRAME STYLE LADDER DEDICATED FOR THE TAB TECHNICIAN'S USE DURING THE ENTIRE TAB EFFORT DURATION.
- F. THE MC SHALL BE AVAILABLE DURING THE ENTIRE DURATION OF THE TAB EFFORT AND HAVE ON-SITE THE RESOURCES AND TOOLS TO MAKE CORRECTIONS AS NEEDED UNDER THE DIRECTION OF THE TAB TECHNICIAN.

NATIONAL ACCOUNTS	
1.	LENNOX EQUIPMENT - CONTACT LENNOX NATIONAL ACCOUNTS AT 972-497-6260 (OR BY FAX AT 972-497-5112) FOR PRICING, ORDERING AND AVAILABILITY. LENNOX EQUIPMENT NOT PURCHASED THRU LENNOX NATIONAL ACCOUNTS WILL NOT BE ACCEPTED.
2.	LOREN COOK FAN AND CURB PACKAGE - THE MECHANICAL CONTRACTOR IS REQUIRED TO PURCHASE THE FAN/CURB PACKAGE DIRECTLY FROM TOM BARROW COMPANY. CONTACT MR. SCOTT GEORGE AT 404-351-1010 FOR PRICING AND AVAILABILITY. FANS AND CURBS NOT PURCHASED THRU TOM BARROW COMPANY WILL NOT BE ACCEPTED.
3.	PRICE AIR DEVICES - THE MECHANICAL CONTRACTOR IS REQUIRED TO PURCHASE THE AIR DEVICES DIRECTLY FROM TOM BARROW COMPANY. CONTACT MR. SCOTT GEORGE AT 404-351-1010 FOR PRICING AND AVAILABILITY. AIR DEVICES NOT PURCHASED THRU TOM BARROW COMPANY WILL NOT BE ACCEPTED.
4.	AIR DOORS - THE MECHANICAL CONTRACTOR IS REQUIRED TO PURCHASE THE AIR DOORS DIRECTLY FROM TOM BARROW COMPANY. CONTACT MR. SCOTT GEORGE AT 404-351-1010 FOR PRICING AND AVAILABILITY. AIR DOORS NOT PURCHASED THRU TOM BARROW COMPANY WILL NOT BE ACCEPTED.
5.	SUNCOAST ENVIRONMENTAL CONTROLS - THE CFA 500 PANEL AND THE TEST/RESET STATIONS WILL BE PURCHASED AND PROVIDED BY THE ELECTRICAL CONTRACTOR AS A PART OF A NATIONAL ACCOUNT PACKAGE. SEE PART II PARAGRAPH 3A, 3D, AND 3E OF THE MECHANICAL SPECIFICATIONS FOR MORE INFORMATION.
6.	HALTON HOODS - CHICK-FIL-A WILL PURCHASE AND PROVIDE THE HOODS FOR INSTALLATION BY THE MECHANICAL CONTRACTOR. THE MECHANICAL CONTRACTOR SHALL BE RESPONSIBLE FOR RECEIVING THE HOODS. CONTACT HALTON CO. AT 270-237-5600 FOR MORE INFO.
7.	ROYAL METAL PRODUCTS START COLLARS - THE MECHANICAL CONTRACTOR IS REQUIRED TO PURCHASE THE START COLLARS DIRECTLY FROM TOM BARROW COMPANY. CONTACT MR. SCOTT GEORGE AT 404-351-1010 FOR PRICING AND AVAILABILITY. START COLLARS NOT PURCHASED THRU TOM BARROW COMPANY WILL NOT BE ACCEPTED.
8.	SCHWANK INFRARED HEATER PACKAGE - THE MECHANICAL CONTRACTOR IS REQUIRED TO PURCHASE THE HEATER PACKAGE DIRECTLY FROM TOM BARROW COMPANY. CONTACT MR. SCOTT GEORGE AT 404-351-1010 FOR PRICING AND AVAILABILITY. HEATERS NOT PURCHASED THRU TOM BARROW COMPANY WILL NOT BE ACCEPTED.
9.	BROMIC ELECTRIC HEATER - THE MECHANICAL CONTRACTOR IS REQUIRED TO PURCHASE THE HEATER DIRECTLY FROM BROMIC HEATING USA. CONTACT MR. BLAKE RUSSIE AT 858-381-4850 FOR PRICING AND AVAILABILITY. HEATERS NOT PURCHASED THRU BROMIC HEATING USA WILL NOT BE ACCEPTED.



**Chick-fil-A**  
5200 Buffington Road  
Atlanta, Georgia  
30349-2998



**Kurzynske & Associates**  
2705 Lebanon Pike - Suite One  
Nashville, Tennessee 37214  
Telephone: (615) 255-5203



01/17/2024

**CHICK-FIL-A**  
**WENDELL FORD EXPY &**  
**HWY 54 FSU**  
**3123 KY-54**  
**OWENSBORO, KY 42303**

**FSR#05059**

BUILDING TYPE / SIZE: P13 LSR LRG

RELEASE: 22.05

PRINTED FOR

CONSTRUCTION

REVISION SCHEDULE

NO.	DATE	DESCRIPTION

SHEET

MECHANICAL

SPECIFICATIONS

SHEET NUMBER

BLM

CONSULTANT PROJECT # 22096.EH.S

DATE 05/26/2022

DRAWN BY

BLM

Information contained on this drawing and in all digital files produced for above named project may not be reproduced in any manner without express written or verbal consent from authorized project representatives.

SHEET

MECHANICAL

SPECIFICATIONS

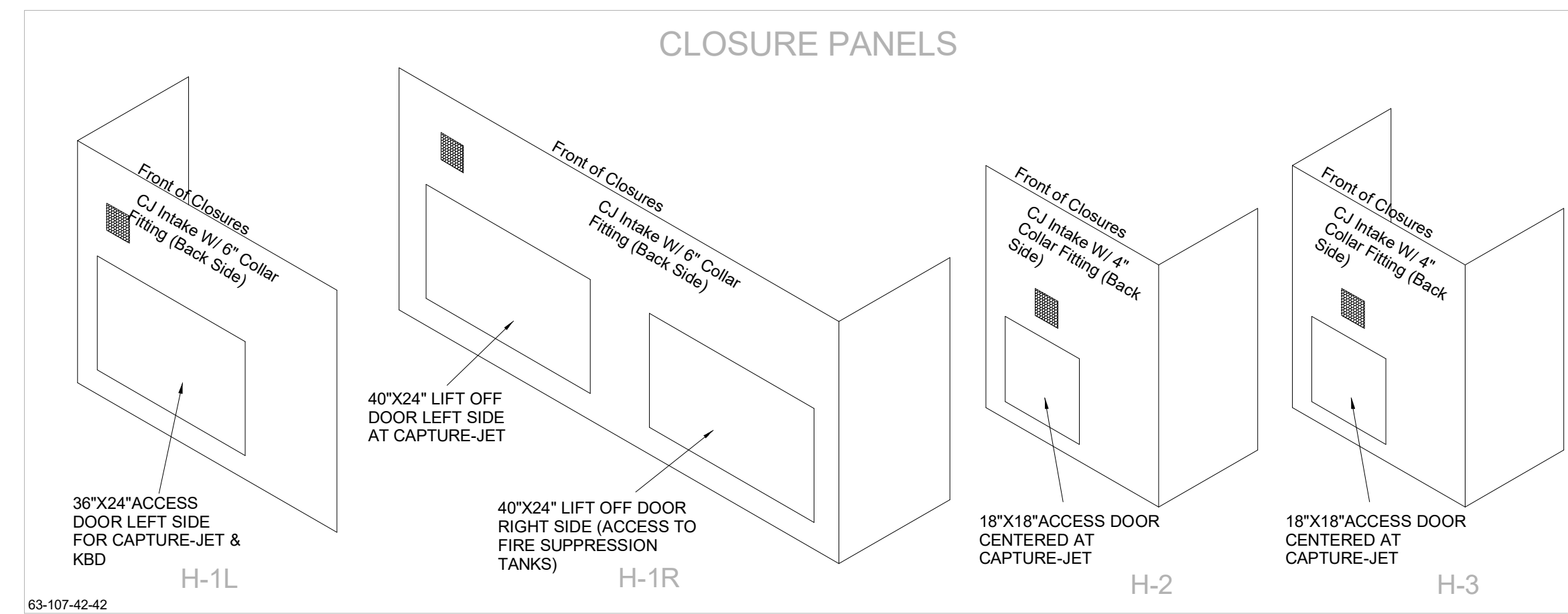
SHEET NUMBER

BLM

**M-901**

Autodesk Docs://KY\_05059\_Wendell Ford Expy & Hwy 54 FSU\_2022.5\_FSR05059\_Wendell Ford Expy & Hwy 54 FSU\_MEC.rvt  
1/16/2024 9:51:43 AM  
30-LSR-05059-M-901-MECHANICAL SPECIFICATIONS

HOOD MODEL	HOOD NUMBER	EXHAUST COLLAR			EXHAUST AIR INFORMATION			CAPTURE AIR INFORMATION		S.S. KSA FILTERS		CEILING CLOSURES				MATERIAL			
		QTY	LENGTH	WIDTH	CFM	TAB	SP	CFM	SP	FULL	HALF	LED LIGHTS	QTY	CLOSURE HEIGHT	CEILING HEIGHT		HOOD WEIGHT	KBD DAMPER	K FACTOR (CFM = K FACTOR * √DP)
KVL-2-IC	H-1L	1	8"	8"	709	0.13"	0.23"	47	0.30"	3	-	2	2	51"	122"	394 LBS	*	1959	EXPOSED SURFACES 18 GA. S.S.
KVL-2-IC	H-1R	1	14"	8"	1204	0.13"	0.22"	80	0.30"	5	-	3	2			669 LBS	*	3365	
KVL-C-IC	H-2	1	8"	8"	701	0.30"	0.39"	30	0.29"	2	-	1	2			245 LBS	*	1291	
KVL-C-IC	H-3	1	8"	8"	701	0.30"	0.39"	30	0.29"	2	-	1	3			245 LBS	*	1291	

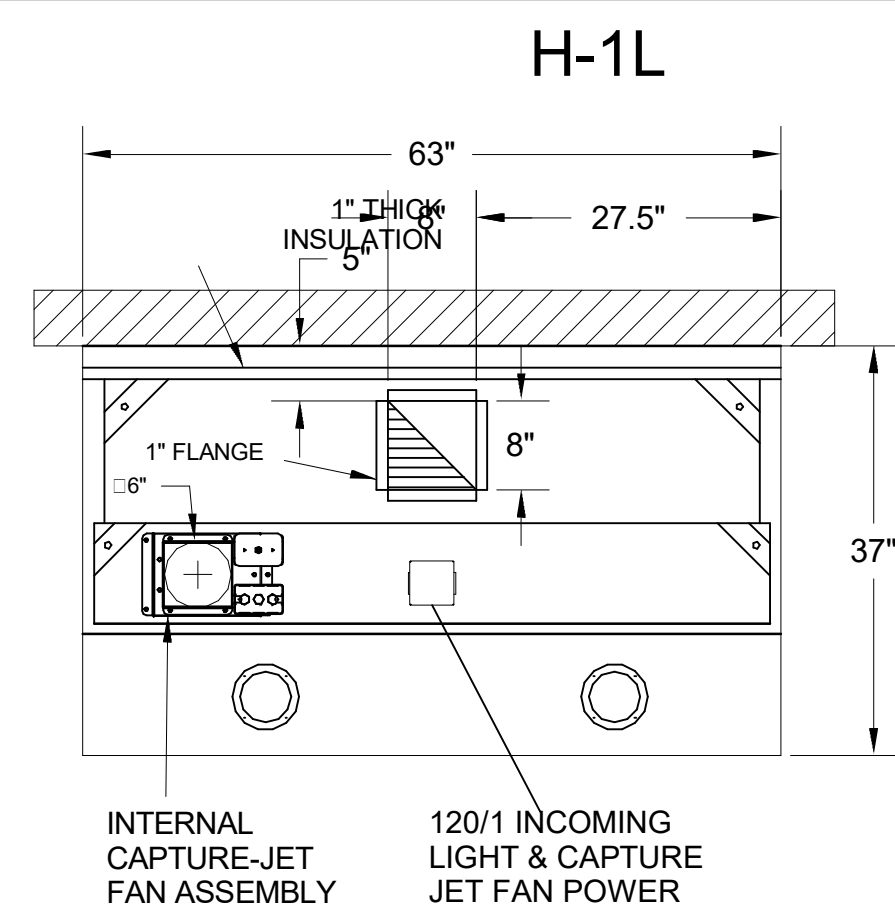
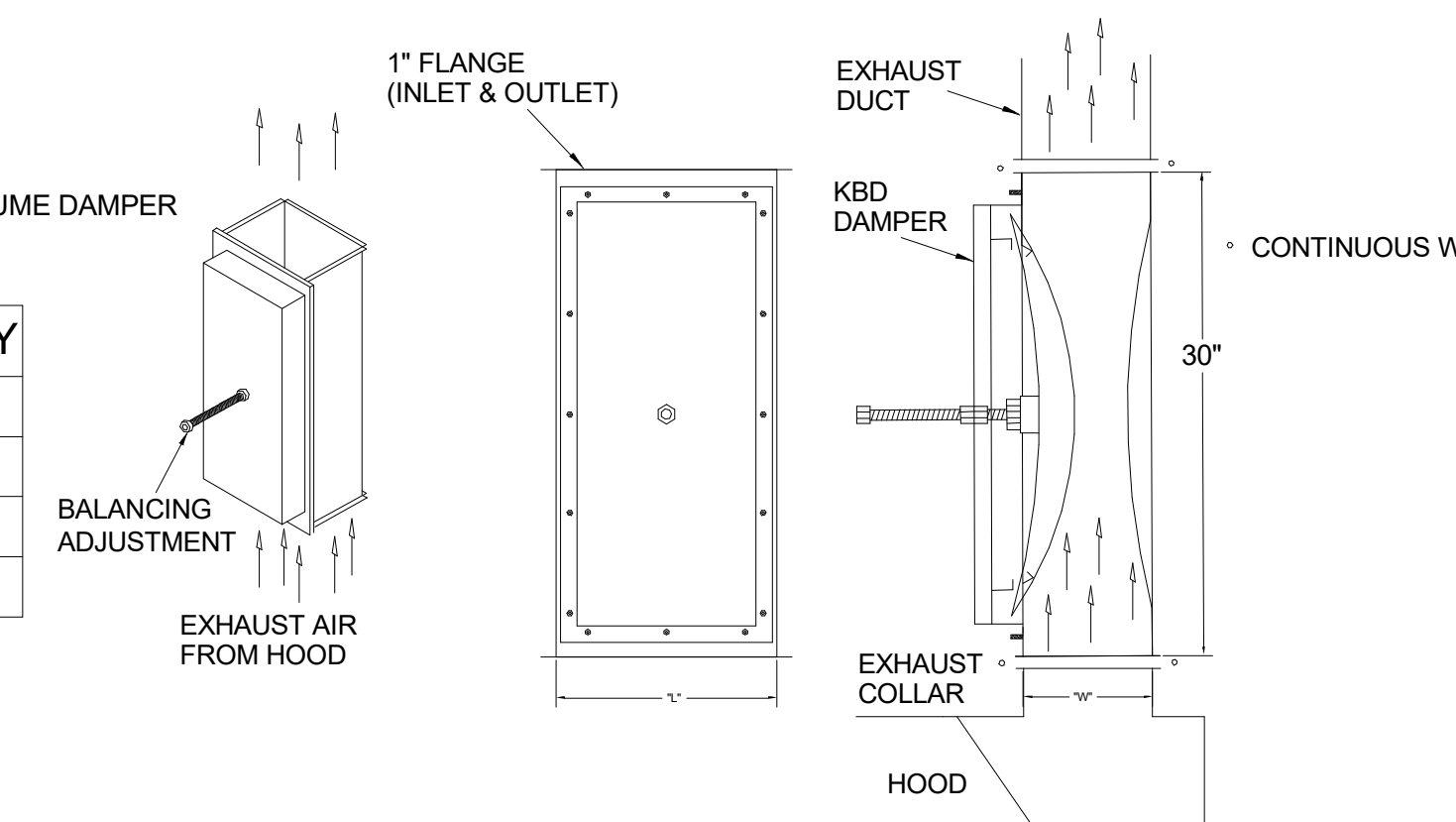


**MODEL:KBD  
CALIBRATED KBDs**

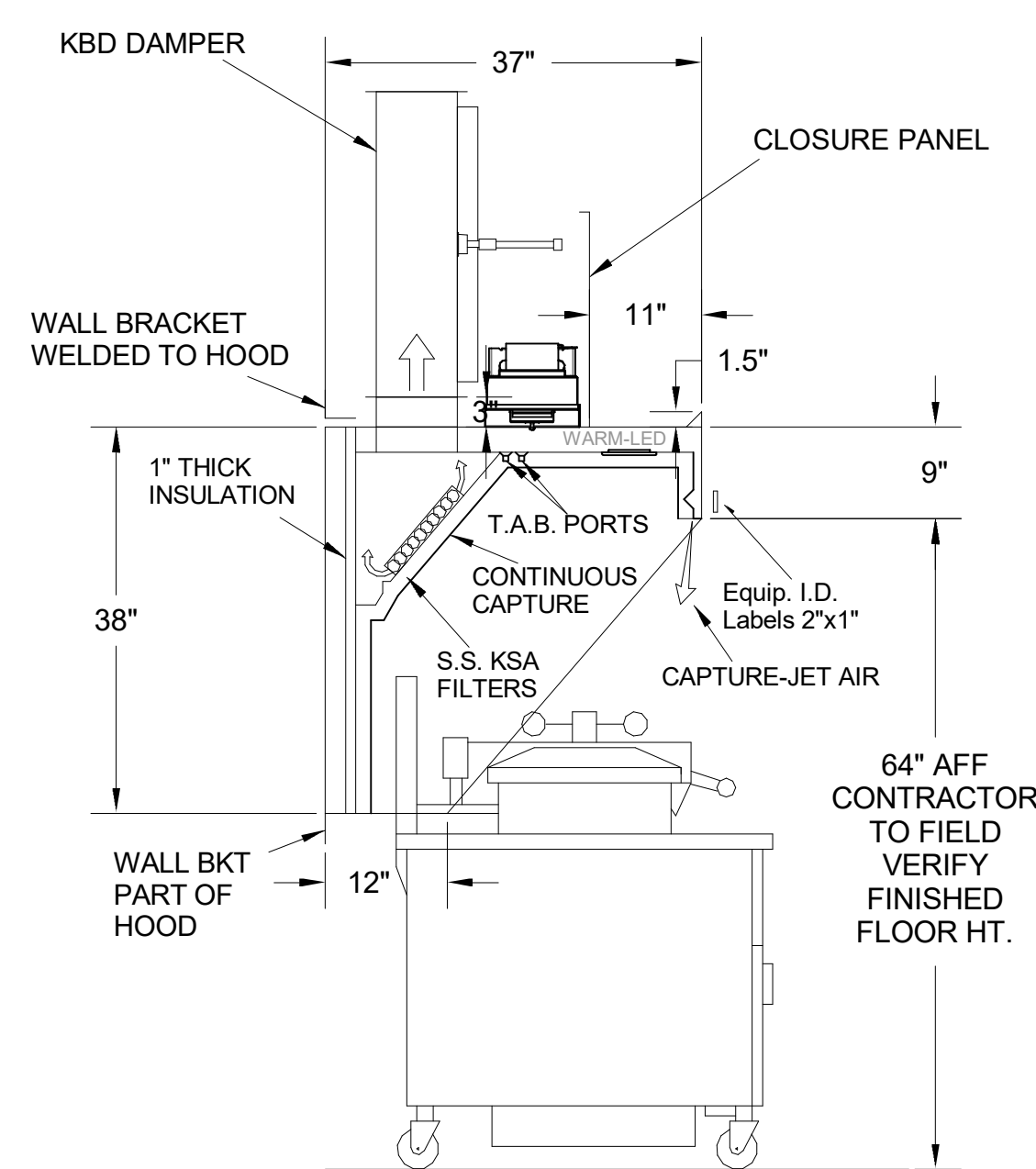
KITCHEN BALANCING DAMPER EXHAUST VOLUME DAMPER

TAG	"L"	"W"	QUANTITY
H-1L	8"	8"	1
H-1R	14	8"	1
H-2	8"	8"	1
H-3	8"	8"	1

MATERIAL: FRAME - 16GA CONT. GALV.  
ADJUSTABLE PANEL 18GA S.S.

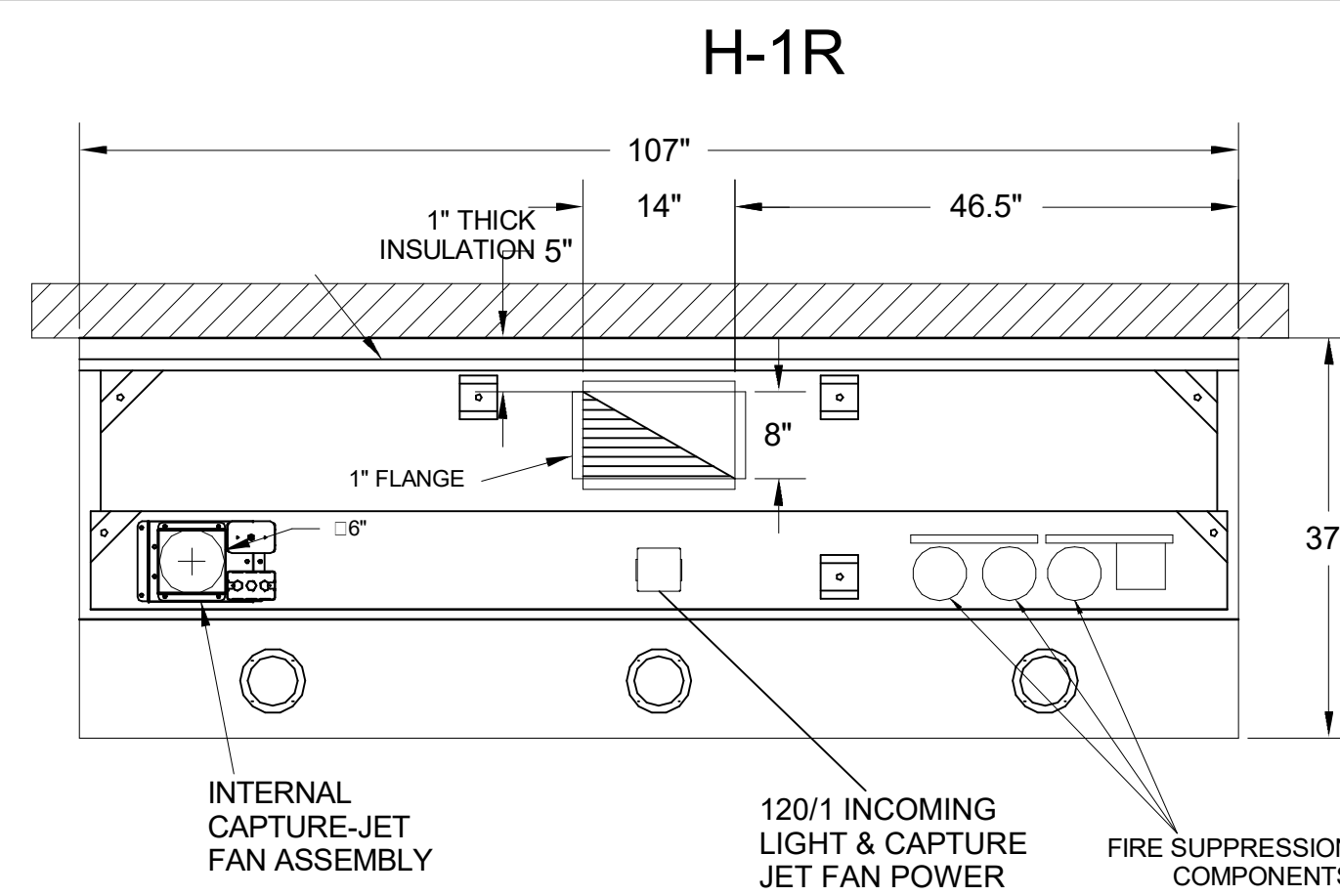


PLAN VIEW

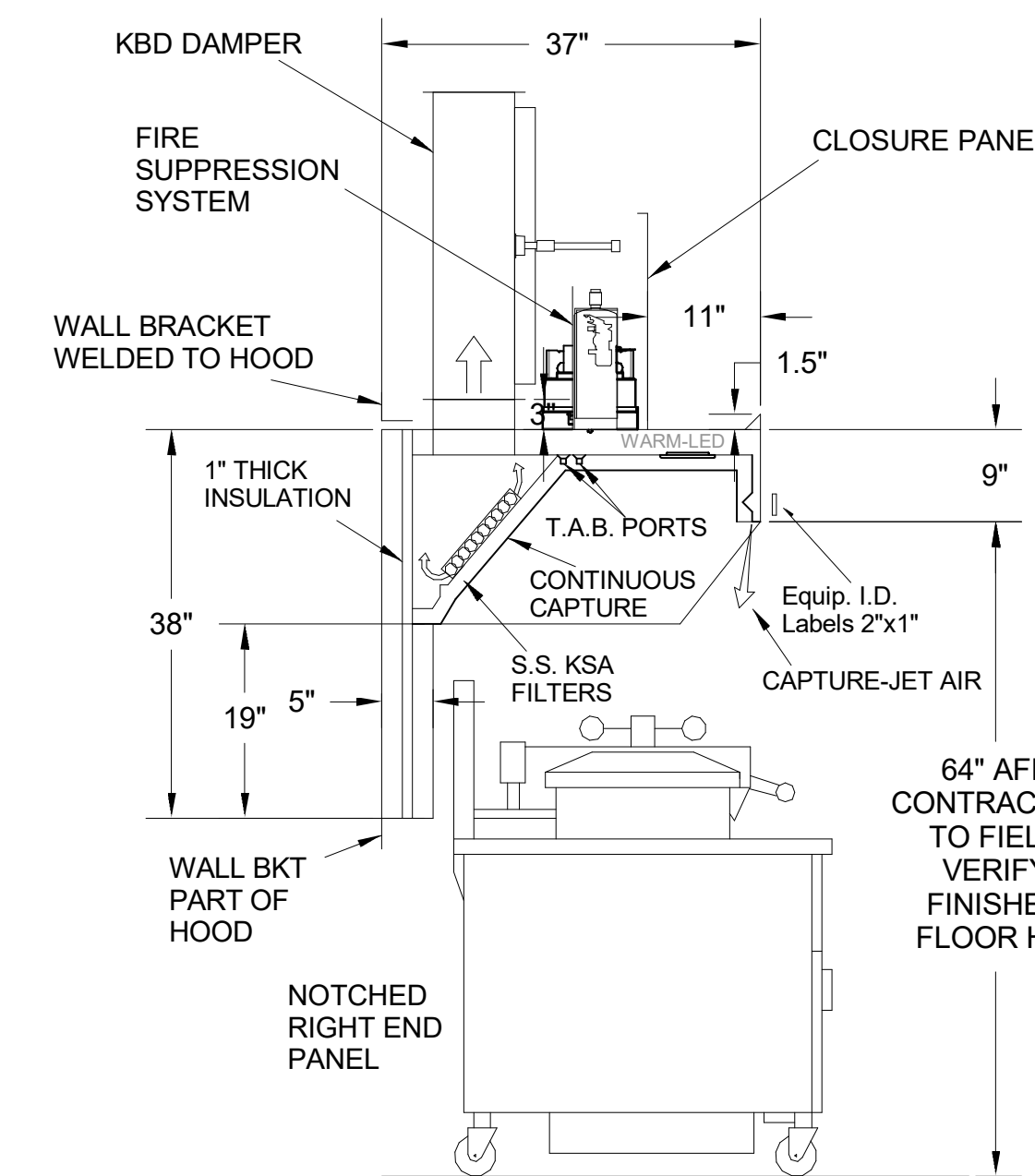


H-1L SECTION VIEW

- CEILING CLOSURE RECESSED 11" FROM FRONT TO CREATE SHELF
- 36"x24" ACCESS DOOR LEFT SIDE FOR ACCESS TO CAPTURE-JET WITH FRONT CJ INTAKE & KBD
- CONTINUOUS CAPTURE INTERNAL RIGHT END CUTOUT
- 3" REAR STAND-OFF TO HAVE 1" THICK INSULATION
- EQUIPMENT COVERED:  
(3) PRESSURE FRYERS

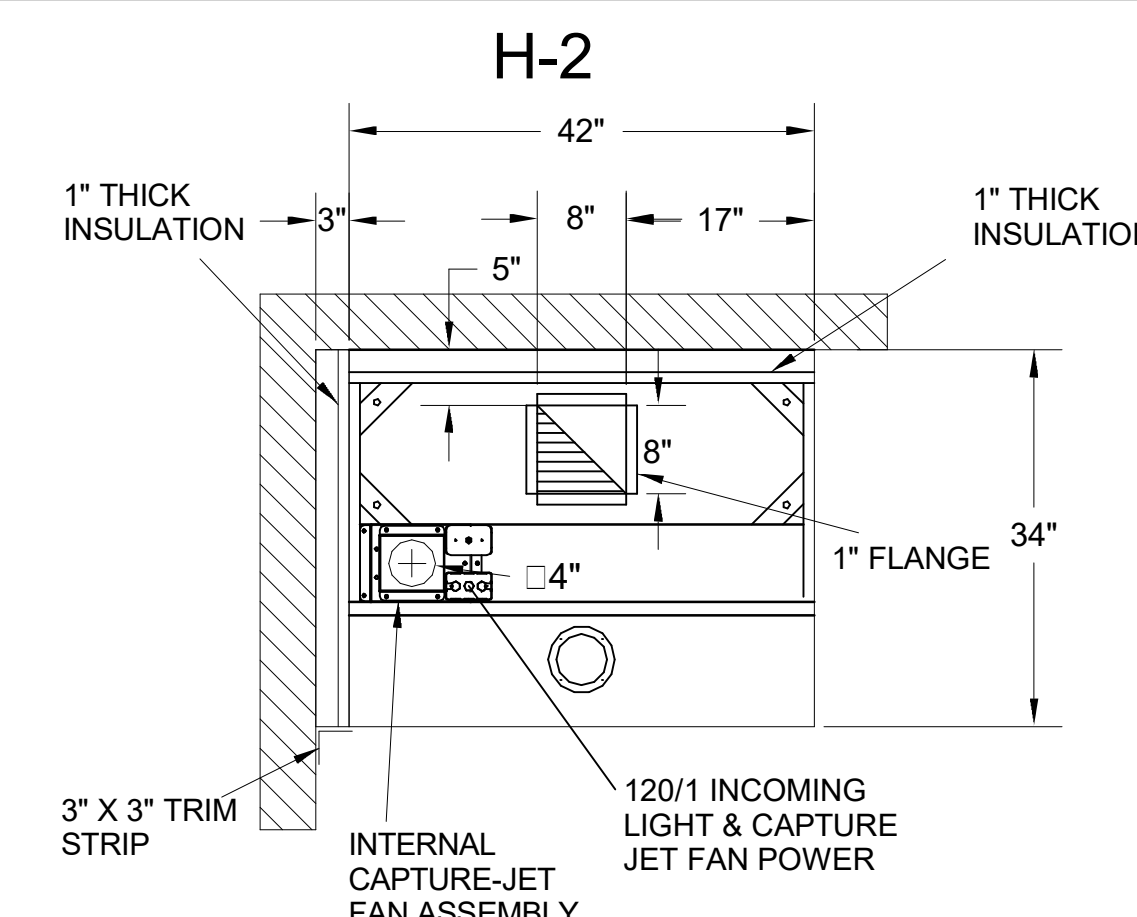
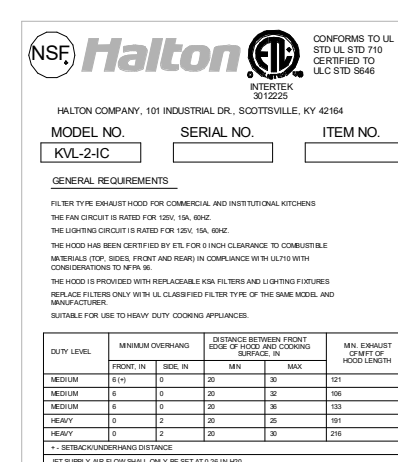


PLAN VIEW

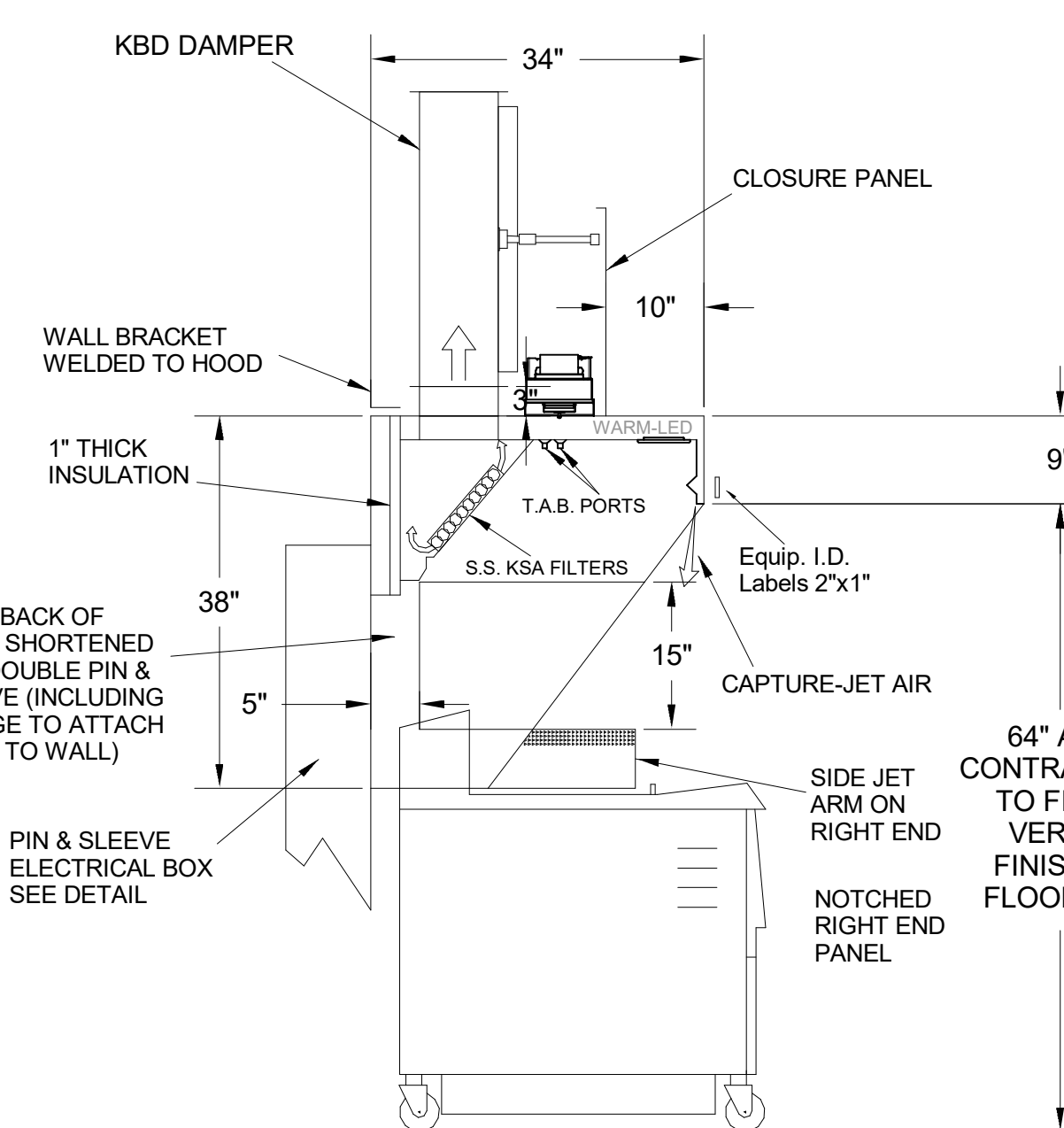


H-1R SECTION VIEW

- CEILING CLOSURE RECESSED 11" FROM FRONT TO CREATE SHELF
- FRONT CLOSURE PANEL WITH 40"x24" LIFT OUT DOOR RIGHT SIDE (ACCESS TO FIRE SUPPRESSION)
- 40"x24" LIFT DOOR LEFT SIDE AT CAPTURE-JET WITH FRONT CJ INTAKE
- CONTINUOUS CAPTURE INTERNAL LEFT END CUTOUT
- 3" REAR STAND-OFF TO HAVE 1" THICK INSULATION
- NOTCHED RIGHT END PANEL
- EQUIPMENT COVERED:  
(4) PRESSURE FRYERS  
(2) GRILLS
- ANSUL WEIGHT = 286 LBS
- AMEREX WEIGHT = 264 LBS

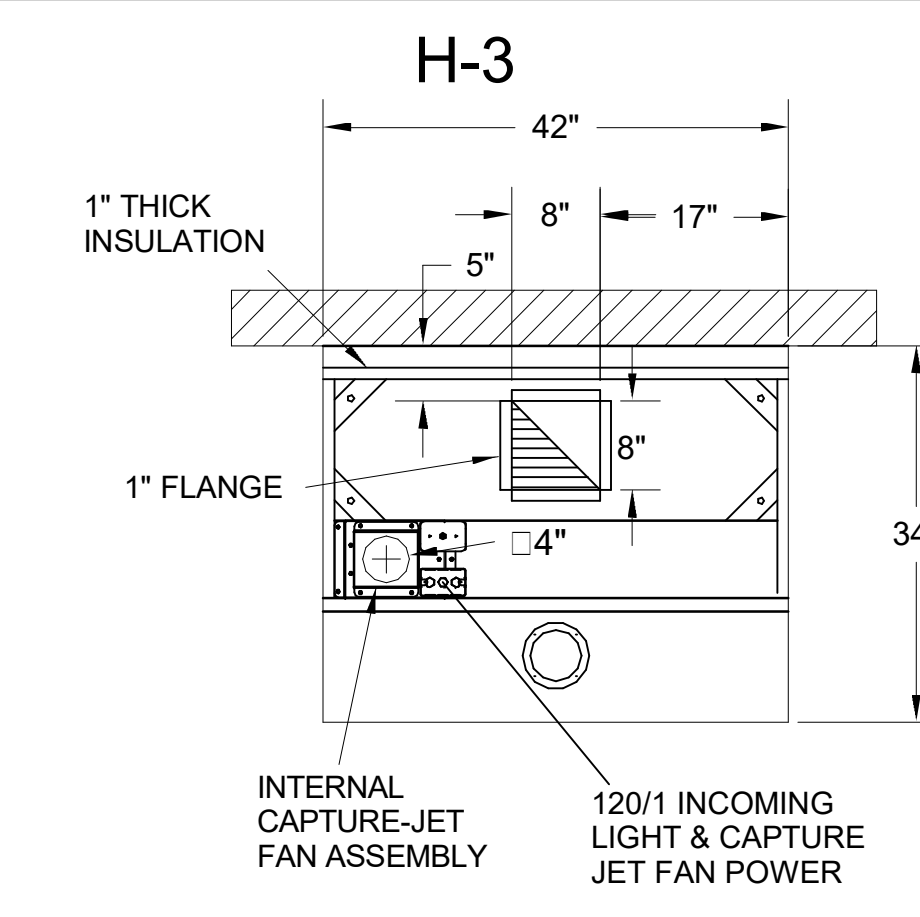


PLAN VIEW

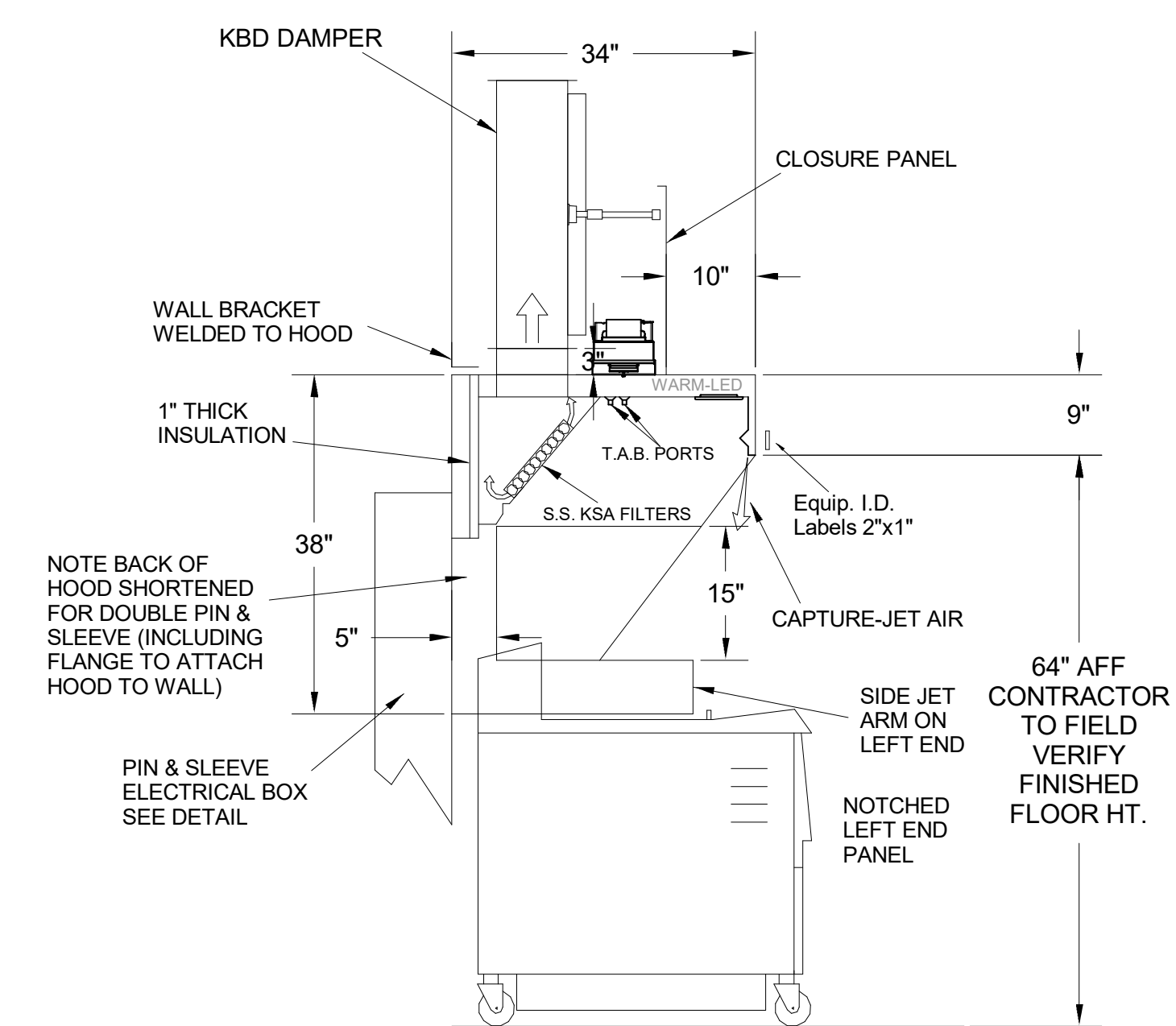


H-2 SECTION VIEW

- CEILING CLOSURE RECESSED 10" FROM FRONT TO CREATE SHELF
- 18"x18" ACCESS DOOR CENTERED AT CAPTURE-JET WITH FRONT CJ INTAKE
- NOTCHED RIGHT END PANEL
- DOUBLE RECEPTACLE PIN & SLEEVE
- 3"x3" TRIM STRIP FOR STANDOFF ON LEFT END
- 3" SIDE & REAR STAND-OFF TO HAVE 1" THICK INSULATION
- EQUIPMENT COVERED:  
(2) FRYERS

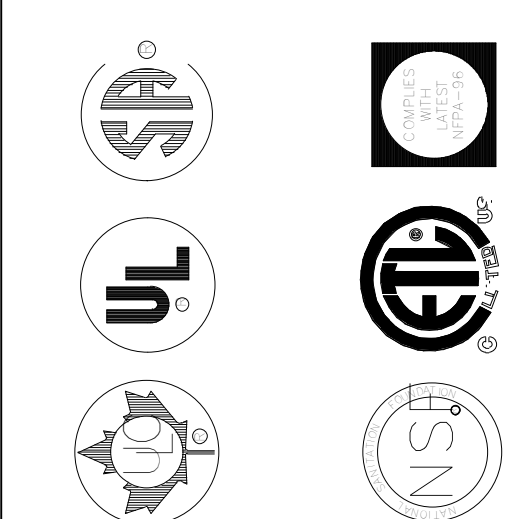


PLAN VIEW



H-3 SECTION VIEW

- CEILING CLOSURE RECESSED 10" FROM FRONT TO CREATE SHELF
- 18"x18" ACCESS DOOR CENTERED AT CAPTURE-JET WITH FRONT CJ INTAKE
- NOTCHED LEFT END PANEL
- DOUBLE RECEPTACLE PIN & SLEEVE
- 3" REAR STAND-OFF TO HAVE 1" THICK INSULATION
- EQUIPMENT COVERED:  
(2) FRYERS



MAIL APPROVED DRAWINGS TO APPROPRIATE FACTORY. BELOW WEBSITE: WWW.HALTONCOMPANY.COM

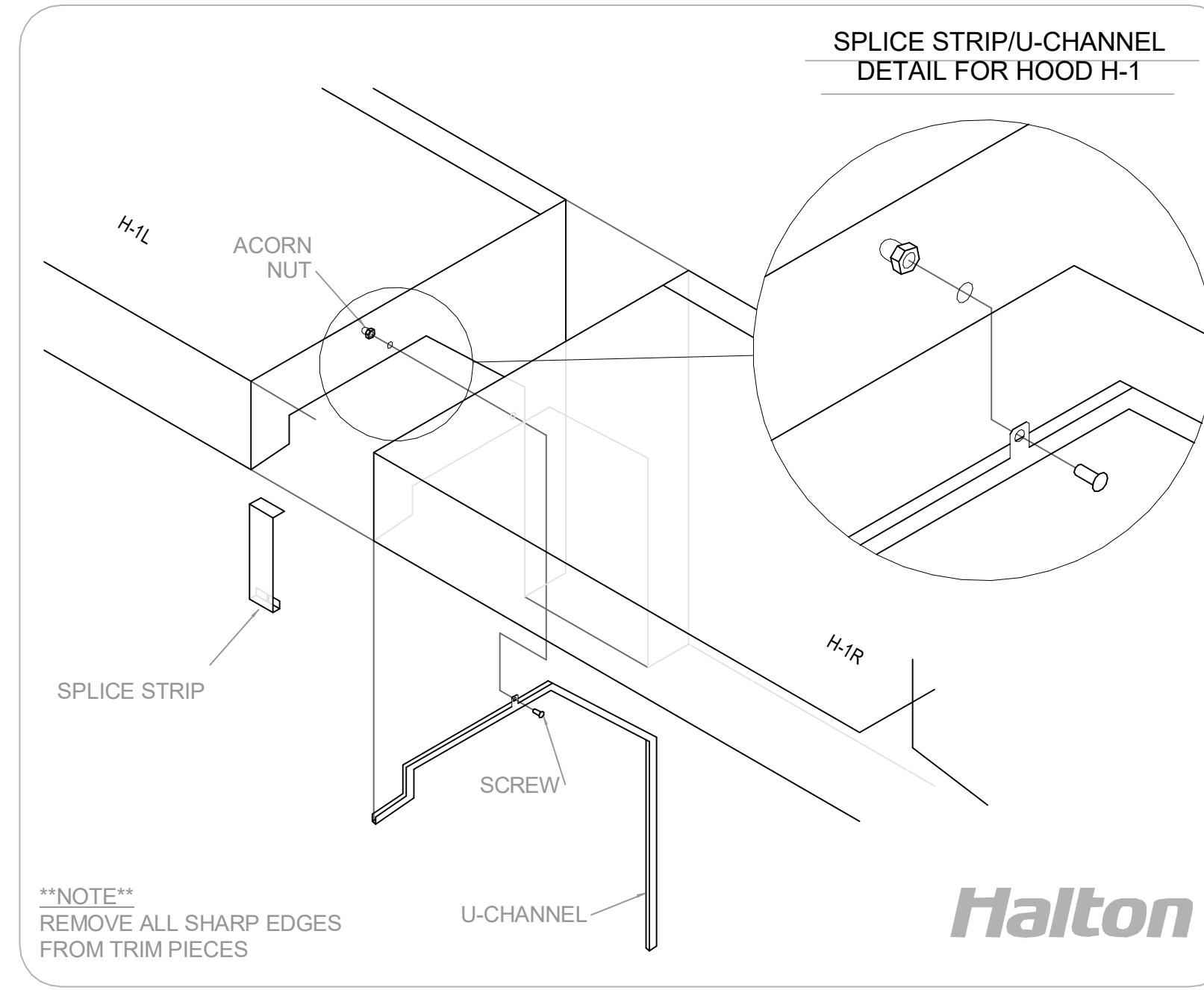
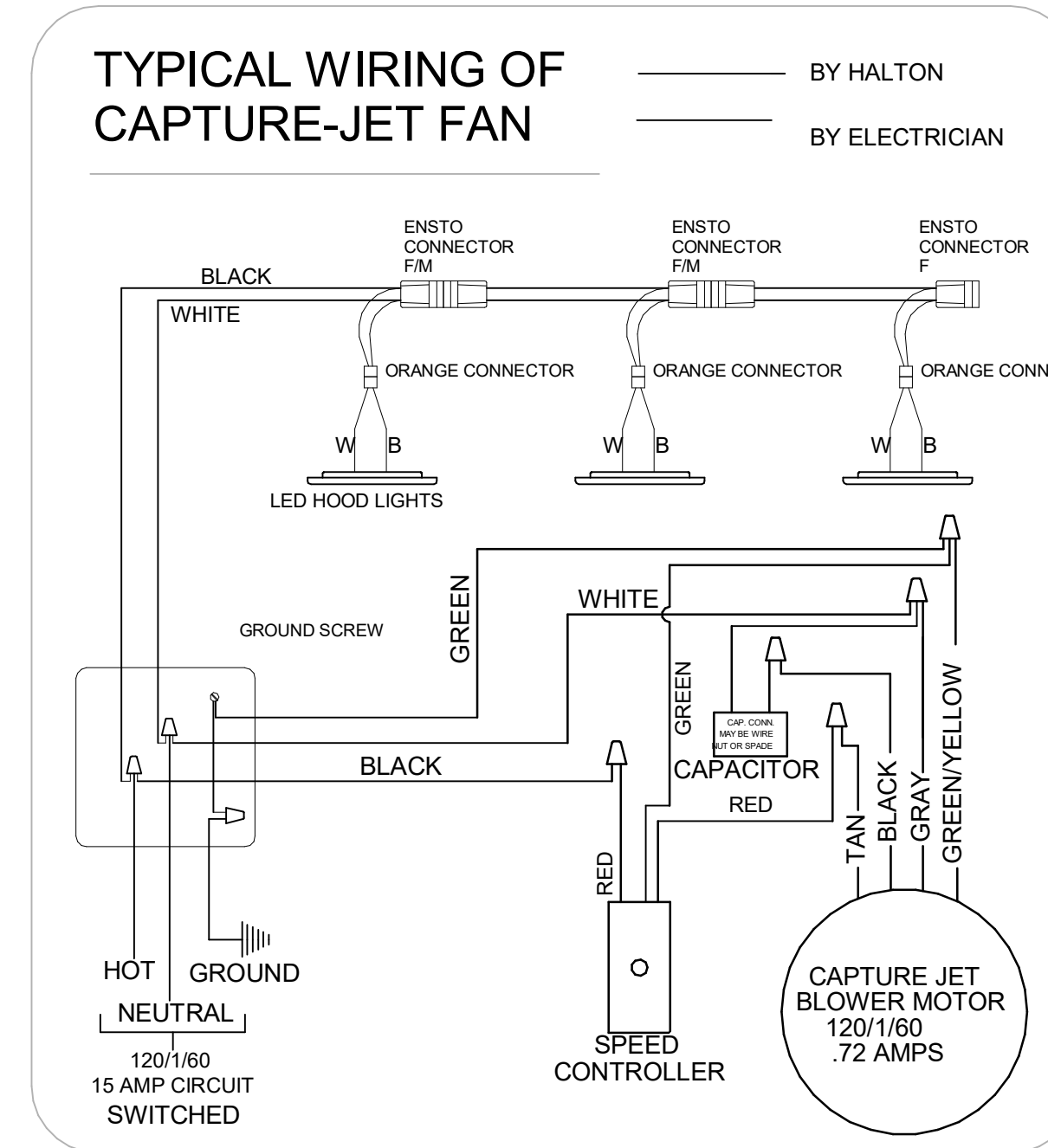
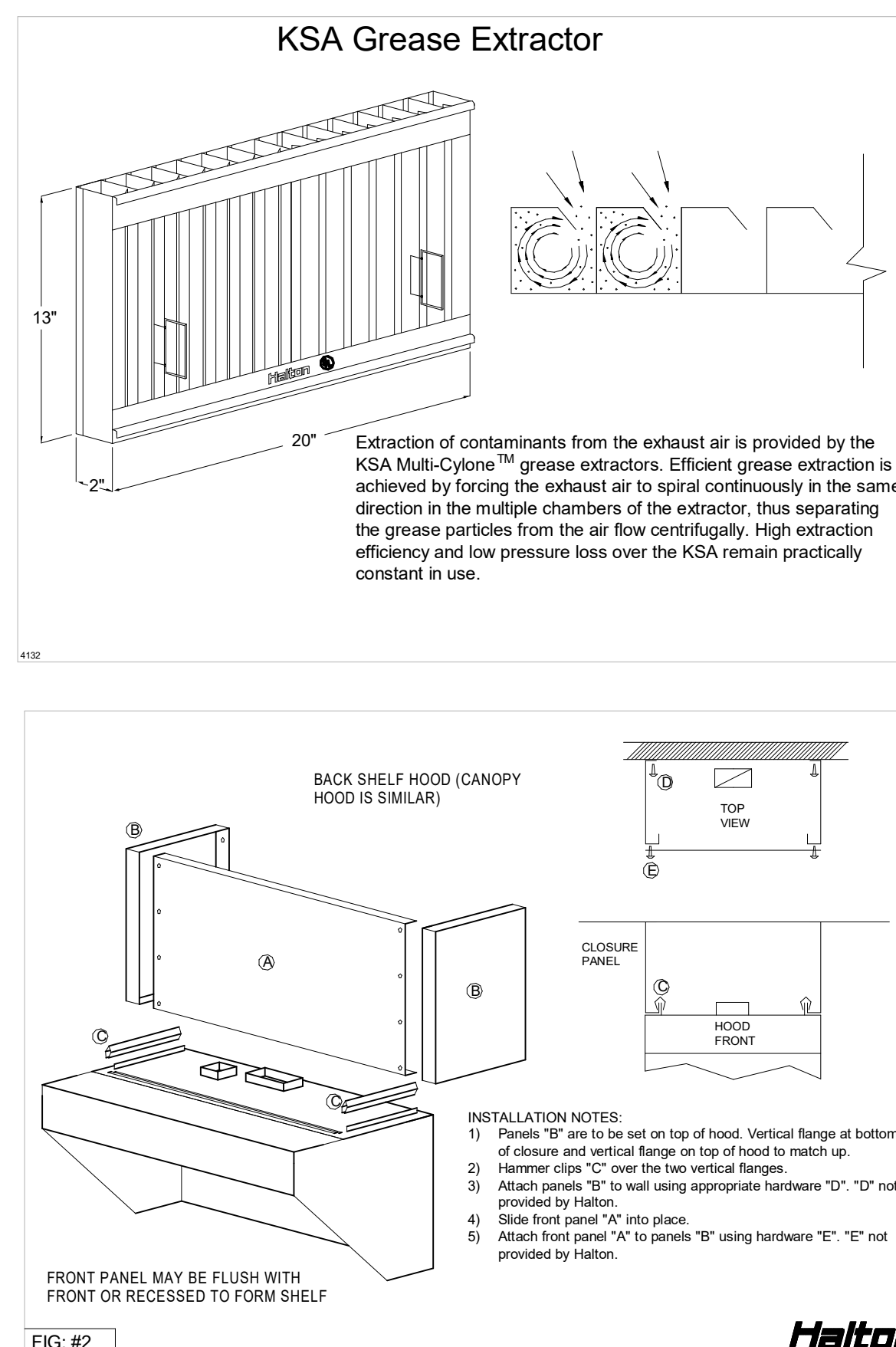
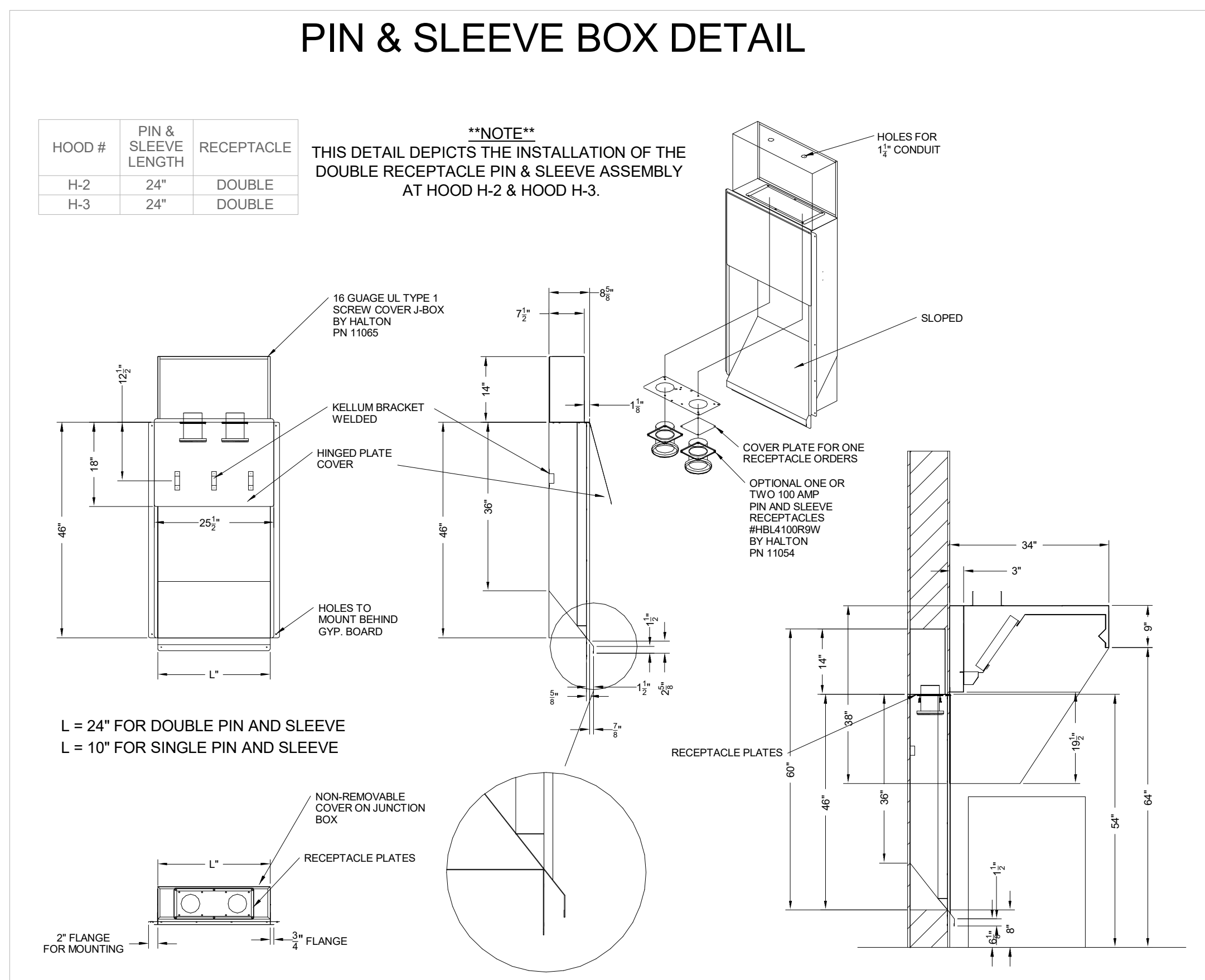
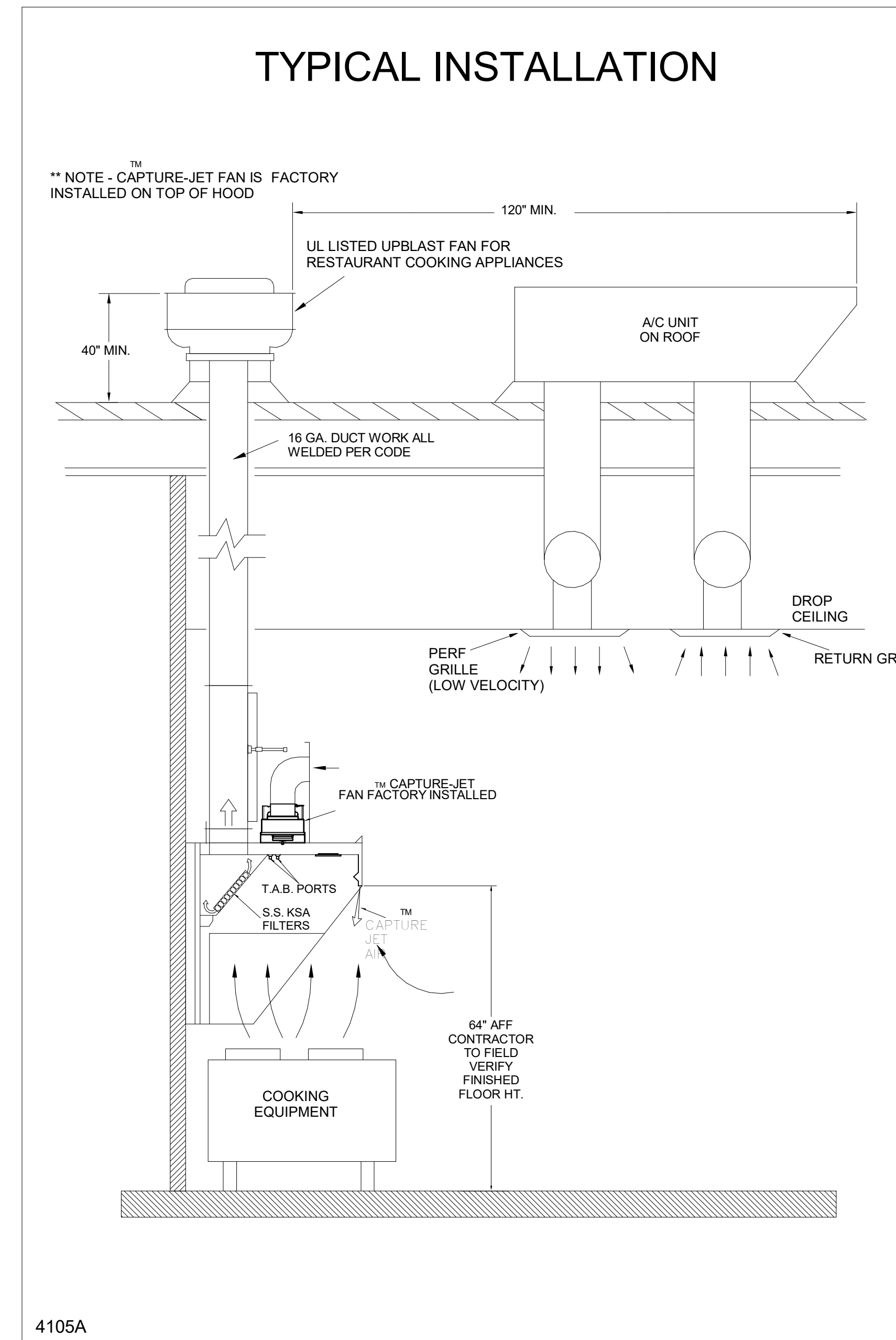
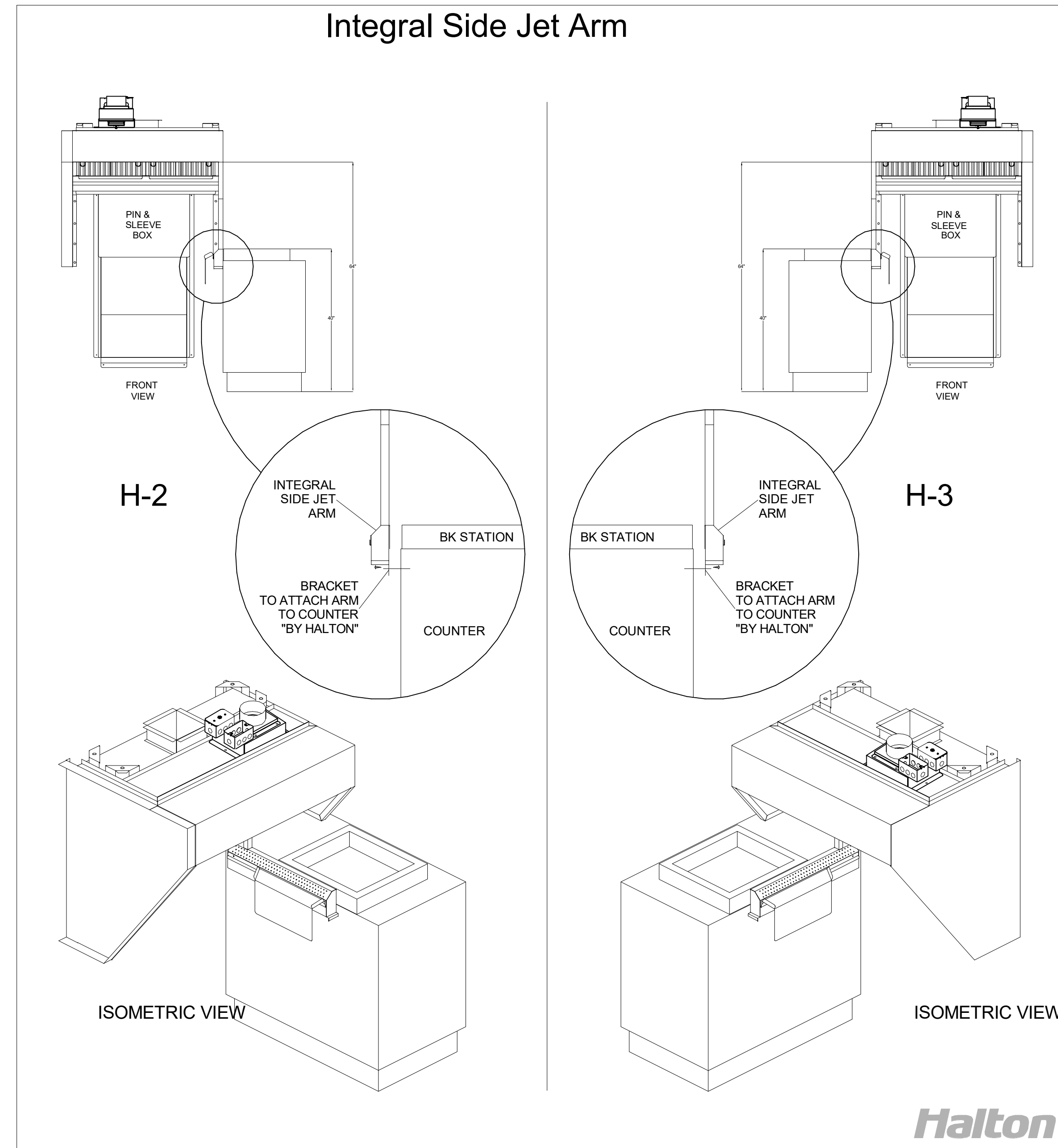
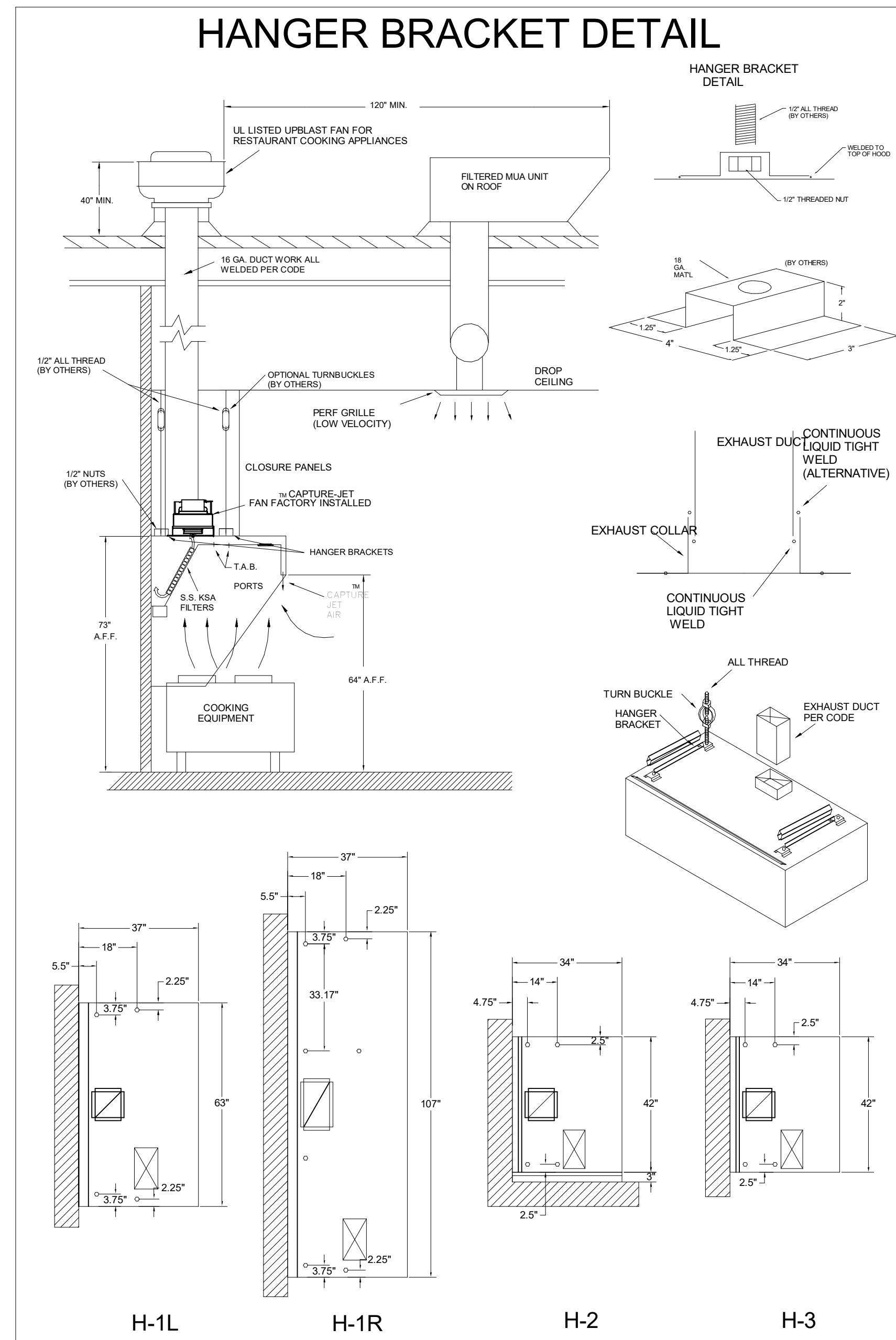
REV.	DATE	BY	DESCRIPTION
1			
2			
3			
4			
5			
6			
7			

**CHICK-FL-A**

LOCATION: WENDELL FORD EXPY & HWY 54 FSU  
DRAWN BY: DATE: 05/26/2022  
SCALE: NTS

SN# 05059

Halton  
CARE FOR INDOOR AIR



**HALTON HOODS**  
- ETL LISTED PER LATEST 710 STANDARD  
- BUILT PER NFPA 96  
- NSF LISTED

CONFORMS TO UL STD. UL STD 710 CERTIFIED TO UL STD 9846

NSF **Halton** INTERTEK 3012225

HALTON COMPANY, 101 INDUSTRIAL DR., SCOTTSDALE, KY 42164

MODEL NO. SERIAL NO. ITEM NO.

**KVL-C-IC**

**GENERAL REQUIREMENTS**

FLTR TYPE EXHAUST HOOD FOR COMMERCIAL AND INSTITUTIONAL KITCHENS  
THE FAN CIRCUIT IS RATED FOR 120V, 15A, 60HZ  
THE LIGHTING CIRCUIT IS RATED FOR 120V, 15A, 60HZ  
THE HOOD HAS BEEN CERTIFIED BY ETL FOR 0 INCH CLEARANCE TO COMBUSTIBLE MATERIALS (TOP, SIDES, FRONT AND REAR) IN COMPLIANCE WITH UL100 WITH CONSIDERATIONS TO NFPA 96  
THIS HOOD IS PROVIDED WITH REPLACEABLE KSA FILTERS AND LIGHTING FEATURES  
REPLACE FILTERS ONLY WITH UL CLASSIFIED FILTER TYPE OF THE SAME MODEL AND MANUFACTURER.  
SUITABLE FOR USE TO HEAVY DUTY COOKING APPLIANCES.

DUTY LEVEL	MINIMUM OVERHANG	DISTANCE BETWEEN FRONT EDGE OF HOOD AND COOKING SURFACE, IN.		MIN. EXHAUST HOOD LENGTH
		FRONT IN	SIDE IN	
MEDIUM	4	0	20	32
MEDIUM	6	0	20	32
MEDIUM	6	0	20	38
HEAVY	6	2	20	22
HEAVY	0	2	20	30

NET SUPPLY AIR FLOW SHALL ONLY BE SET AT 1.20 IN H2O

**CHICK-FL-A**

PROJECT: **WENDELL FORD EXPY & HWY 54 FSU**

LOCATION: **WENDELL FORD EXPY & HWY 54 FSU**

DRAWN BY: **NTS** DATE: **05/26/2022**

SCALE: **NTS**

Halton Dwg:

Sheet **MH-102**

MAIL APPROVED DRAWINGS TO APPROPRIATE FACTORY. BELOW WEBSITE: WWW.HALTONCOMPANY.COM

HALTON CO. (USA)  
101 INDUSTRIAL DRIVE  
SCOTTSDALE, KY 42164  
1-800-624-0301

HALTON CO. (CANADA)  
1021 BREVIK PLACE  
MISSISSAUGA, ON L4W 3R7  
1-220-227-5600

REVISION DESCRIPTION

REV.	DATE	BY
1		
2		
3		
4		
5		
6		
7		

APPROVED BY: \_\_\_\_\_

WITH CHANGES AS NOTED

WITH NO CHANGES

REUSE AND RESUBMIT

APPROVED BY: \_\_\_\_\_

DATE: \_\_\_\_\_

