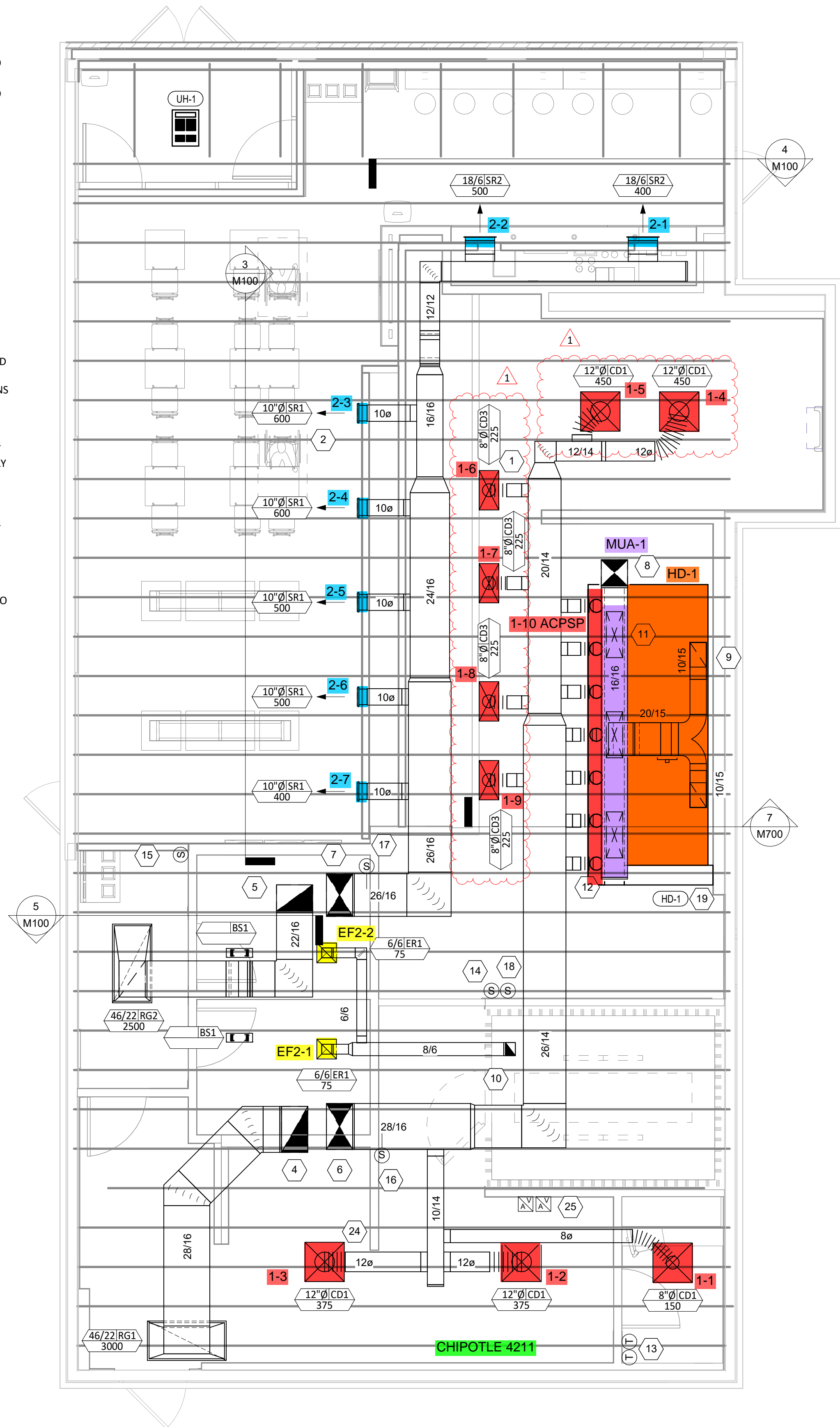
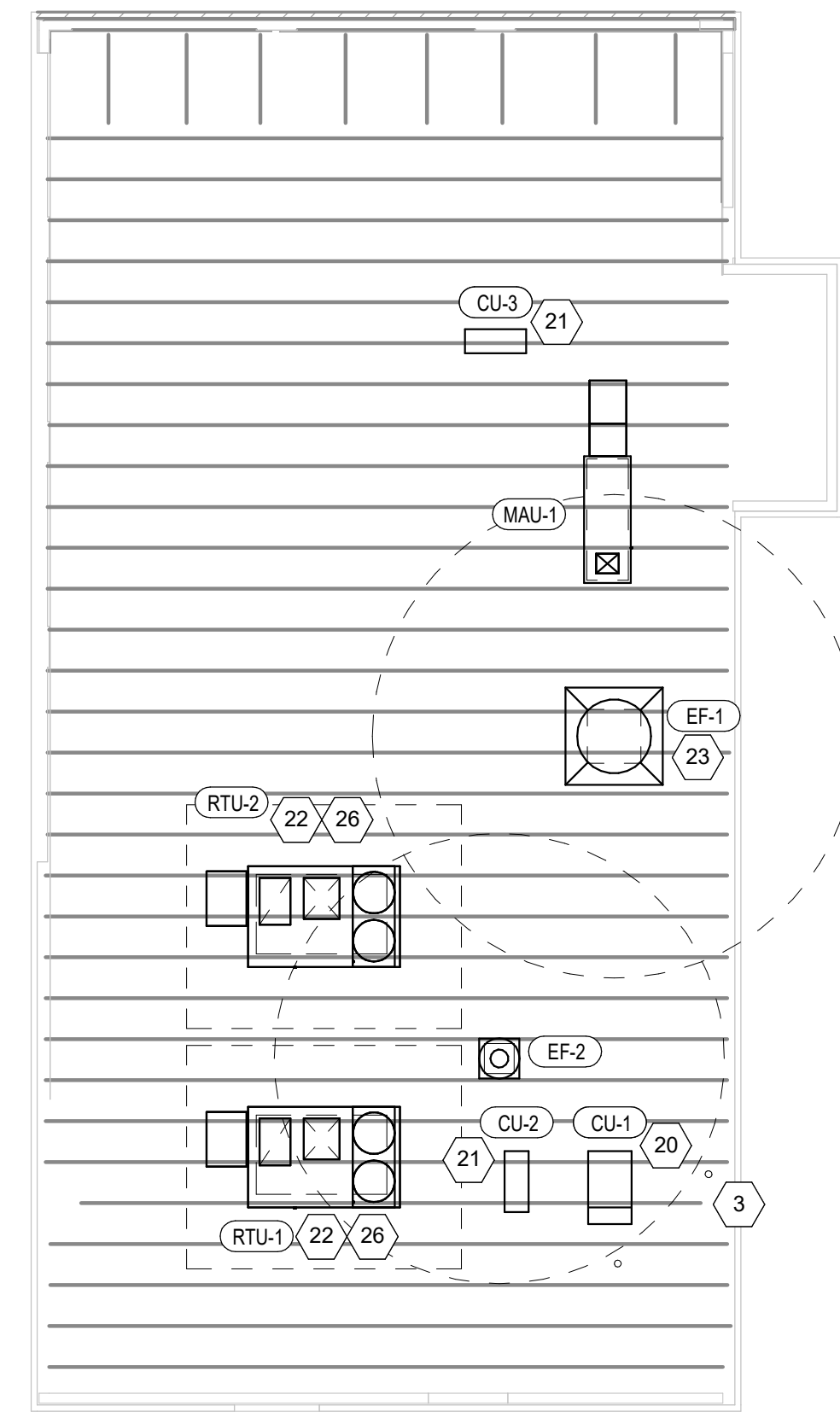
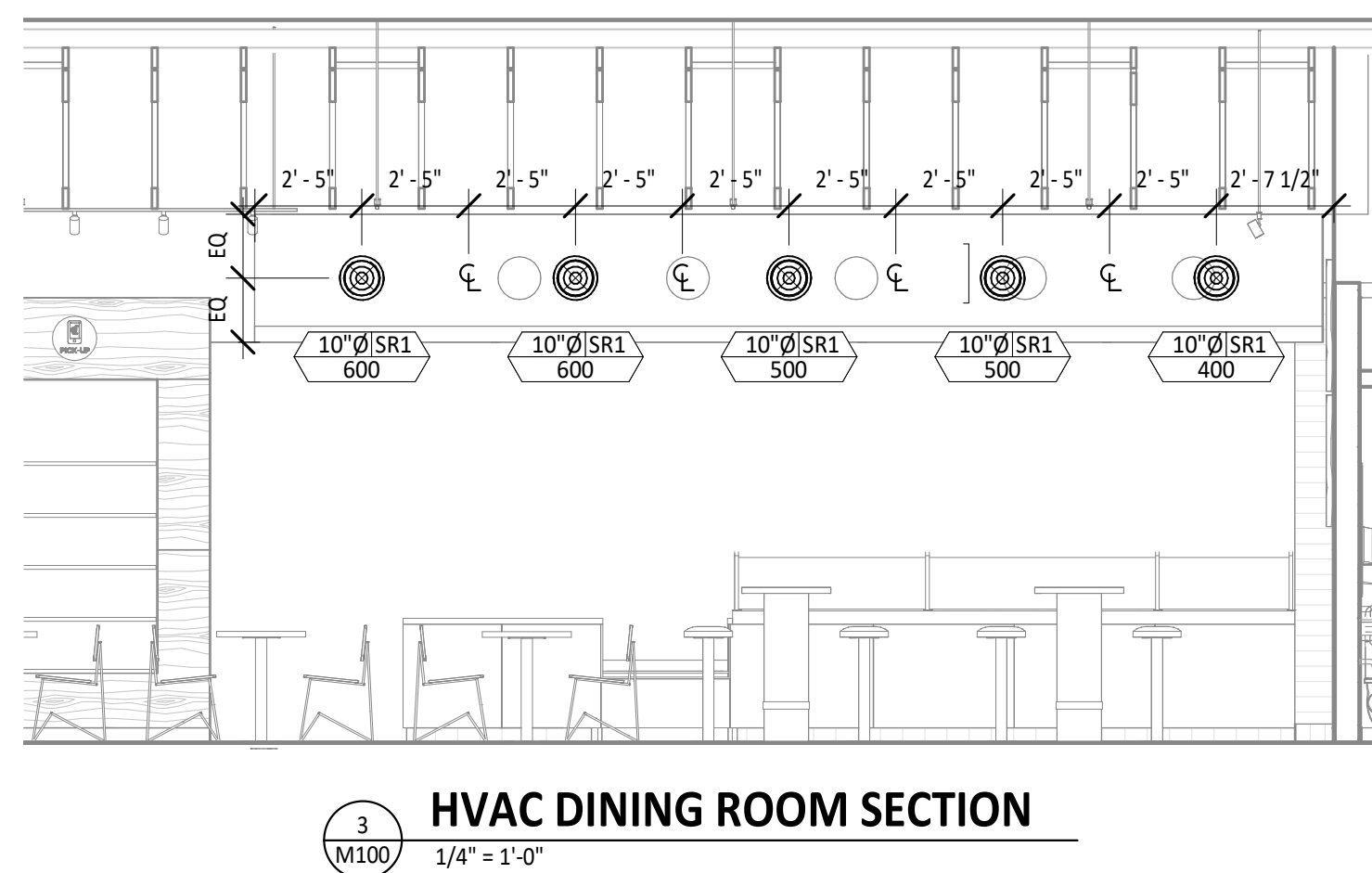
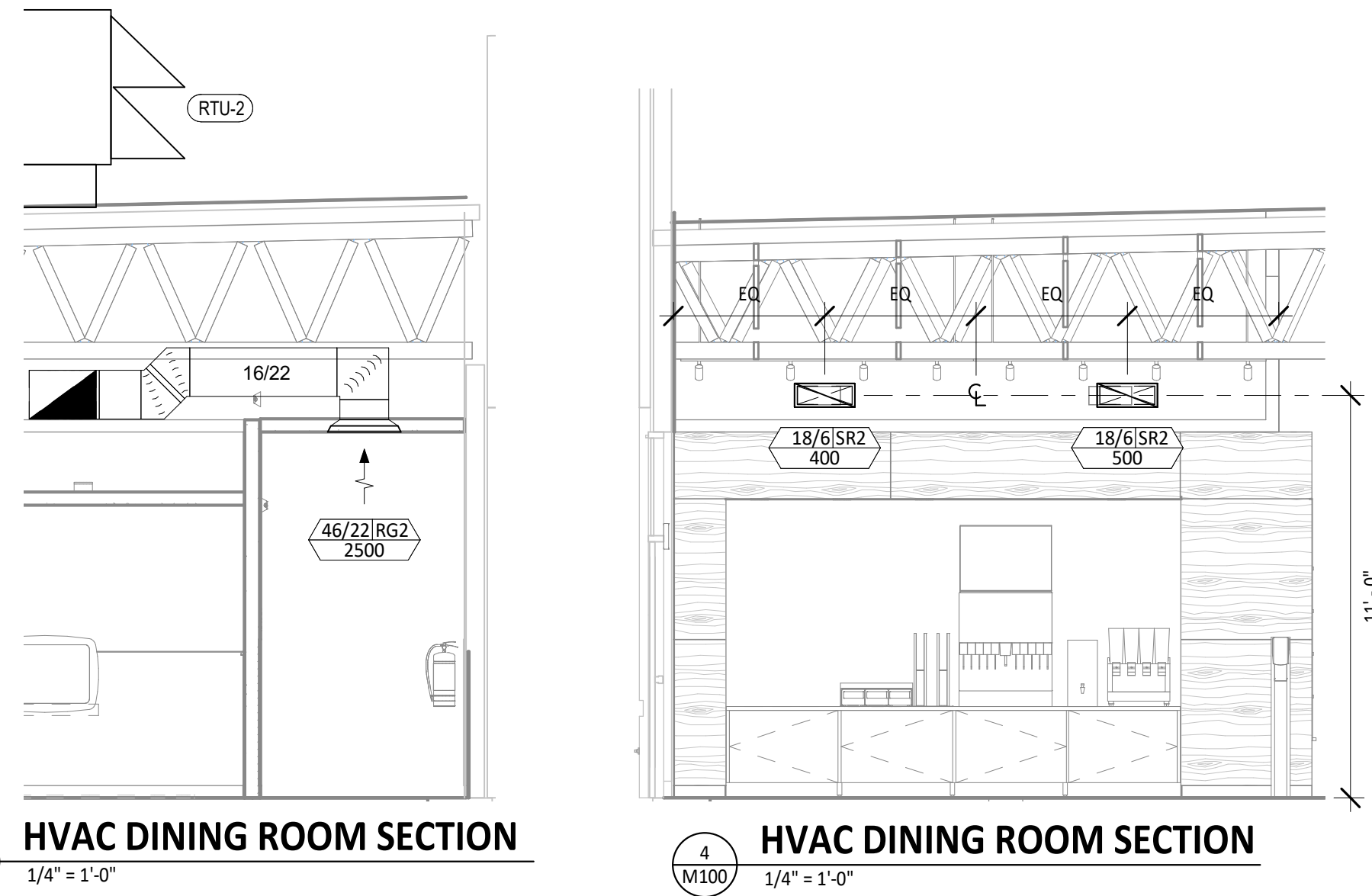




**HVAC PLAN NOTES**

- 1 SEE ARCHITECTURAL REFLECTED CEILING PLAN FOR CEILING MOUNTED EQUIPMENT LOCATION. TYPICAL.
- 2 PAINT DUCTWORK VISIBLE THROUGH DINING ROOM SUPPLY REGISTERS AND RETURN GRILL BLACK. TYPICAL.
- 3 MAINTAIN 10' CLEARANCE BETWEEN WATER HEATER FLUE TERMINATION AND OUTSIDE AIR INTAKES. MAINTAIN 10' CLEARANCE BETWEEN WATER HEATER COMBUSTION AIR INTAKE AND EXHAUST FAN EF-1 DISCHARGE. SEE PLUMBING DRAWINGS FOR MORE INFORMATION ON WATER HEATER FLUE AND COMBUSTION AIR TERMINATIONS.
- 4 28/16 DUCT UP FOR TRANSITION TO RTU-1 RETURN CONNECTION IN ROOF CURB. RTU-1 SHALL HAVE AN INTEGRAL SMOKE DETECTOR MOUNTED IN THE RETURN AIR STREAM. INTERLOCK SMOKE DETECTOR TO RTU-1 OPERATION.
- 5 22/16 DUCT UP FOR TRANSITION TO RTU-2 RETURN CONNECTION IN ROOF CURB. RTU-2 SHALL HAVE AN INTEGRAL SMOKE DETECTOR MOUNTED IN THE RETURN AIR STREAM. INTERLOCK SMOKE DETECTOR TO RTU-2 OPERATION.
- 6 28/16 DUCT UP FROM BUILDING SUPPLY THROUGH ROOF. TRANSITION TO RTU-1 SUPPLY CONNECTION IN ROOF CURB.
- 7 26/16 DUCT UP FROM BUILDING SUPPLY TO RTU-2 SUPPLY CONNECTION. TRANSITION IN ROOF CURB.
- 8 16/16 DUCT UP THROUGH ROOF. TRANSITION TO MAU-1 SUPPLY CONNECTION IN ROOF CURB.
- 9 10/15 DUCTS UP FROM HOOD TO 20/15 DUCT THROUGH ROOF TO EF-1 COMPLIANT WITH NFPA 96. PROVIDE RADIUS ELBOWS WITH AN INSIDE RADIUS OF 0.5W AT ELBOWS IN GREASE DUCT.
- 10 8/6 DUCT UP THROUGH ROOF TO EF-2.
- 11 28/10 DUCT DOWN TO MAKEUP AIR PSP DUCT CONNECTION. TRANSITION TO SUPPLY PLENUM OPENING SIZE. TYPICAL FOR 3.
- 12 8" DIA. DUCT DOWN TO AC PSP DUCT CONNECTION. TRANSITION TO SUPPLY PLENUM OPENING SIZE. TYPICAL. CAP UNUSED DUCT CONNECTIONS.
- 13 INSTALL GRIDPOINT THERMOSTATS FURNISHED BY TEMS FOR RTU-1 AND RTU-2 AT THIS LOCATION AT 48" AFF. COORDINATE WITH ELECTRICAL SWITCHING IN THIS AREA. PROVIDE WIRING AS SHOWN IN DETAIL 8/E710.
- 14 INSTALL GRIDPOINT ZONE SENSOR MODULE FURNISHED BY TEMS FOR RTU-1 AT THIS LOCATION 60" AFF DIRECTLY TO WALL (NO JUNCTION BOX). COORDINATE LOCATION WITH EQUIPMENT. PROVIDE WIRING AS SHOWN IN DETAIL 8/E710.
- 15 INSTALL GRIDPOINT ZONE SENSOR MODULE FURNISHED BY TEMS FOR RTU-2 AT THIS LOCATION 66" AFF DIRECTLY TO WALL (NO JUNCTION BOX). COORDINATE LOCATION WITH EQUIPMENT. PROVIDE WIRING AS SHOWN IN DETAIL 8/E710.
- 16 INSTALL GRIDPOINT SUPPLY PROBE FURNISHED BY TEMS FOR RTU-1 IN THE SUPPLY DUCTWORK UPSTREAM FROM THE FIRST BRANCH CONNECTION. PROVIDE WIRING AS SHOWN IN DETAIL 8/E710.
- 17 INSTALL GRIDPOINT SUPPLY PROBE FURNISHED BY TEMS FOR RTU-2 IN THE SUPPLY DUCTWORK UPSTREAM FROM THE FIRST BRANCH CONNECTION. PROVIDE WIRING AS SHOWN IN DETAIL 8/E710.
- 18 INSTALL REMOTE TEMPERATURE SENSOR FOR HOOD HD-1 AT THIS LOCATION 60" AFF. COORDINATE LOCATION WITH EQUIPMENT. PROVIDE (2) #18 G. THERMISTOR CABLE FROM TEMPERATURE SENSOR TO HOOD CONTROL PANEL.
- 19 INSTALL KITCHEN HOOD, HD-1. SUPPORT HOOD PER MANUFACTURER'S INSTALLATION INSTRUCTIONS AND AS DETAILED IN THE ARCHITECTURAL AND STRUCTURAL DRAWINGS. INSTALL HOOD ACCORDING TO THE REQUIREMENTS OF ITS LISTING, IN COMPLIANCE WITH NFPA 96, THE BUILDING CODE, AND AUTHORITIES HAVING JURISDICTION. HOOD SHALL HAVE AN INTEGRAL DUCT COLLAR TEMPERATURE SENSOR TO AUTOMATICALLY ENERGIZE THE EXHAUST AND MAKEUP AIR FANS IF COOKING TEMPERATURES ARE DETECTED. EXHAUST DUCT SYSTEM TO BE WELDED OR FACTORY-MANUFACTURED WATER AND AIR TIGHT. INSTALL CLEANOUTS PER CODE AND AS SHOWN. INSTALL HOOD PER DETAILS 2 AND 4/M700. CHIPOTLE WILL PROVIDE AN INDEPENDENT TESTING AGENCY FOR TESTING THE INTEGRITY OF THE GREASE DUCT SYSTEM.
- 20 INSTALL REMOTE CONDENSING UNIT FOR WALK-IN COOLER ON ROOF AS DETAILED IN THE ARCHITECTURAL AND STRUCTURAL DRAWINGS. INSTALL REFRIGERANT LINE SET, THERMOSTATIC EXPANSION VALVE, SOLENOID VALVE, TEMPERATURE CONTROL, SIGHT GLASS, FILTER DRIER, PRESSURE CONTROL, LOW AMBIENT CONTROLS, AND WEATHERPROOF HOUSING. TRAP AND SLOPE REFRIGERANT LINES PER MANUFACTURER'S RECOMMENDATIONS. INSTALLATION SHALL COMPLY WITH ASHRAE/ANSI STANDARD 15. INSTALL THE REFRIGERANT LINE SET UNDER THE ROOF DECK TO WITHIN 3' OF THE CONDENSING UNIT. CUT 2-1/2" HOLE IN WALK-IN COOLER ROOF FOR REFRIGERANT LINE SET AND SEAL PER THE COOLER MANUFACTURER'S INSTALLATION INSTRUCTIONS AFTER LINE SET IS INSTALLED.
- 21 INSTALL REMOTE CONDENSER FOR ICE MACHINE ON ROOF AS DETAILED IN THE ARCHITECTURAL AND STRUCTURAL DRAWINGS. INSTALL REFRIGERANT LINE SET, THERMOSTATIC EXPANSION VALVE, SOLENOID VALVE, TEMPERATURE CONTROL, SIGHT GLASS, FILTER DRIER, PRESSURE CONTROL, LOW AMBIENT CONTROLS, AND WEATHERPROOF HOUSING. TRAP AND SLOPE REFRIGERANT LINES PER MANUFACTURER'S RECOMMENDATIONS. SEAL PIPING PENETRATIONS THROUGH ROOF. INSTALLATION SHALL COMPLY WITH ASHRAE/ANSI STANDARD 15. INSTALL THE REFRIGERANT LINE SET UNDER THE ROOF DECK TO WITHIN 3' OF THE REMOTE CONDENSER. IF REFRIGERANT PIPING TO ICE MAKER IS EXPOSED TO PUBLIC VIEW CONCEAL WITHIN A STAINLESS STEEL SHROUD AS SHOWN IN THE ARCHITECTURAL DRAWINGS.
- 22 INSTALL ROOFTOP EQUIPMENT PER MANUFACTURER'S INSTALLATION INSTRUCTIONS AND AS DETAILED IN THE ARCHITECTURAL AND STRUCTURAL DRAWINGS.
- 23 INSTALL EXHAUST FAN EF-1 PER DETAIL 5/M700 AND AS DETAILED IN THE ARCHITECTURAL AND STRUCTURAL DRAWINGS. INSTALL GREASE VIROGUARD SYSTEM FURNISHED BY CHIPOTLE ON EXHAUST FAN, EF-1.
- 24 PROVIDE SUPPLY DIFFUSER CONNECTION TO SUPPLY SYSTEM PER DETAIL 1/M700. TYPICAL.
- 25 PROVIDE AUDIO/VISUAL REMOTE SMOKE DETECTOR ANNUNCIATOR WITH REMOTE KEY OPERATED RESET. WIRE A UNIT BACK TO EACH SMOKE DETECTOR. MOUNT UNIT 60" AFF. TYPICAL.
- 26 INSTALL REME HALO AIR PURIFIER FURNISHED BY TUV IN RTU PER DETAIL 6/M700. SEE ELECTRICAL DRAWINGS FOR POWER CONNECTION INFORMATION. INSTALL UV WARNING STICKERS ON FACE OF ENCLOSURE PER DETAIL AND ON ANY RTU ACCESS DOOR(S) THROUGH WHICH THE REME HALO WOULD BE VISIBLE IF OPENED.



Consultant:  
**NE NATIONAL ENGINEERING**  
 4635 Trueman Blvd, Suite 250  
 Hilliard, Ohio 43026  
 Phone: (614) 751-9610  
 Fax: (614) 552-5240  
 Contact: JOE JONES  
 (614) 328-2024  
 JJones@nationalengineering.com

FOR CONSTRUCTION

COPYRIGHT 2022  
 THIS DRAWING IS AN INSTRUMENT OF SERVICE AND AS SUCH REMAINS THE PROPERTY OF CHIPOTLE MEXICAN GRILL, INC. PERMISSION FOR USE OF THIS DOCUMENT IS LIMITED AND CAN BE EXTENDED ONLY BY WRITTEN AGREEMENT WITH CHIPOTLE MEXICAN GRILL, INC.



STORE NO.: 4211  
 SOUTH CANTON  
 45541 MICHIGAN AVE.  
 CANTON, MI 48188

Issue Record:	PERMIT SET
03/25/2022	
07/15/2022	BID SET
09/09/2022	CONSTRUCTION SET

Revisions:	DB02_-03 UPDATES
1	06/15/2022

Drawn: JEJ  
 Checked: CIK

Project No:  
 2101128

Contents:  
 HVAC PLAN

M100

**UNIT HEATER SCHEDULE**

TAG	DESCRIPTION	MOUNTING	ELECTRICAL		FURNISHED BY	INSTALLED BY	BASIS FOR DESIGN		REMARKS
			POWER	V/P/H			MANUFACTURER	MODEL	
UH-1	CEILING-MOUNTED UNIT HEATER	CEILING	3 kW	208/1/60	HES	GC	INDEECO	931U04000V	

**VIROGUARD SCHEDULE**

TAG	QUANTITY	DESCRIPTION	DUCT CONNECTION SIZE	FAN	FURNISHED BY	INSTALLED BY	BASIS FOR DESIGN MANUFACTURER
VG-1	1	VIROGUARD HOOD EXHAUST FAN ROOFTOP CONTAINMENT SYSTEM	18" X 18"	CAPTIVE-AIRE DU240HFA	TDC	GC	ENVIROMATIC

**GRILLS, REGISTERS, AND DIFFUSERS SCHEDULE**

TAG	DESCRIPTION	FACE SIZE	MATERIAL	FINISH	MOUNTING	FURNISHED BY	INSTALLED BY	BASIS FOR DESIGN		NOTES
								MANUFACTURER	MODEL	
BS1	BATHROOM AIR PURIFICATION UNIT	5.44" X 16"	ALUMINUM	STAINLESS STEEL	GYP CEILING	TUV	GC	RGF ENVIRONMENTAL GROUP	BRU ASSEMBLY	SEE ELECTRICAL SHEETS FOR CONNECTION INFORMATION
CD1	PERFORATED CEILING DIFFUSER	24" X 24"	ALUMINUM	WHITE	LAY-IN CEILING	GC	GC	NAILOR	4320A TYPE L	PROVIDE INTEGRAL OBD
CD3	PERFORATED CEILING DIFFUSER	24" X 12"	ALUMINUM	WHITE	LAY-IN CEILING	GC	GC	NAILOR	4320A TYPE L	PROVIDE INTEGRAL OBD, REMOVE 4-WAY DEFLECTOR
ER1	PERFORATED CEILING EXHAUST	12" X 12"	ALUMINUM	WHITE	GYP CEILING	GC	GC	NAILOR	4330R TYPE S	PROVIDE INTEGRAL OBD
RG1	PERFORATED CEILING RETURN	48" X 24"	ALUMINUM	WHITE	LAY-IN CEILING	GC	GC	NAILOR	4330R TYPE L	
RG2	PERFORATED CEILING RETURN	48" X 24"	ALUMINUM	WHITE	GYP CEILING	GC	GC	NAILOR	4330R TYPE S	
SR1	ADJUSTABLE TURBO NOZZLE	SEE NECK SIZE	ALUMINUM	WHITE	WALL	GC	GC	AIR CONCEPTS	ANR-14	PROVIDE WITH CONCEALED MOUNTING AND FACE-ACCESSIBLE OBD
SR2	DOUBLE DEFLECTION SUPPLY REGISTER	SEE NECK SIZE	ALUMINUM	WHITE	WALL	GC	GC	NAILOR	51DH	PROVIDE INTEGRAL OBD

**FAN SCHEDULE**

TAG	DRIVE TYPE	EXHAUST FLOW [CFM]	E.S.P. [in. W.C.]	WEIGHT [lbs]	ELECTRICAL		FURNISHED BY	INSTALLED BY	BASIS FOR DESIGN		REMARKS
					MOTOR POWER	V/P/H			MANUFACTURER	MODEL	
EF-1	DIRECT	3200 CFM	1.20 in-wg	400	3 HP	208/3/60	HS	GC	CAPTIVE-AIRE	DU240HFA	FURNISHED WITH DISCONNECT AND VENTED ROOF CURB
EF-2	DIRECT	150 CFM	0.60 in-wg	100	0.18 HP	120/1/60	HS	GC	CAPTIVE-AIRE	DR12HFA	FURNISHED WITH DISCONNECT, VARIABLE SPEED CONTROLLER, BACKDRAFT DAMPER AND ROOF CURB

**AIR BALANCE SCHEDULE**

Tag	Supply Flow [CFM]	Return Flow [CFM]	Exhaust Flow [CFM]	Subtotal [CFM]
EF-1	0	0	3200	-3200
EF-2	0	0	150	-150
MAU-1	1950	0	0	1950
RTU-1	3500	3000	0	500
RTU-2	3500	2500	0	1000
Net Pressurization [CFM]				100

**MAKEUP AIR UNIT SCHEDULE**

TAG	DESCRIPTION	AIRFLOW		HEATING CAPACITY				APPROXIMATE WEIGHT [lbs]	ELECTRICAL		FURNISHED BY	INSTALLED BY	BASIS FOR DESIGN		REMARKS
		SUPPLY FLOW [CFM]	E.S.P. [in. W.C.]	INPUT [MBH]	OUTPUT [MBH]	MAXIMUM TURNDOWN	EAT		MOTOR POWER	V/P/H			MANUFACTURER	MODEL	
MAU-1	MAKEUP AIR UNIT	1950	0.80	225	220	12.5:1	6°F	650	2 HP	208/3/60	HS	GC	CAPTIVE-AIRE	A1-D.250-15D	FURNISHED WITH DISCONNECT, ROOF CURB, SCREEN INTAKE, AND WASHABLE ALUMINUM FILTERS

**CONTROL FUNCTIONS**

- A. THE MAIN COOKING EXHAUST FAN AND MAKE-UP AIR UNIT SHALL BE INTERLOCKED TO OPERATE TOGETHER. THIS CONTROL CIRCUIT IS ACTIVATED BY A SWITCH AND INCLUDES A FIRE PROTECTION OVERRIDE.
- B. THE TEMPERATURE IN EACH ZONE IS CONTROLLED BY SPACE TEMPERATURE SENSORS CONNECTED TO THE THERMOSTATS LOCATED IN THE OFFICE. ALL ZONES SHALL OPERATE WITH CONTINUOUS FAN OPERATION DURING OCCUPIED TIMES AND INTERMITTENTLY AS NEEDED TO MAINTAIN SET POINTS DURING UNOCCUPIED TIMES. OUTSIDE AIR DAMPERS SHALL BE OPEN CONTINUOUSLY WHEN EITHER IN OCCUPIED MODE OR WHEN THE HOOD SYSTEM IS ON AND SHALL BE CLOSED DURING UNOCCUPIED PERIODS.
- C. THE THERMOSTATS SHALL DETERMINE OCCUPIED/UNOCCUPIED STATUS BASED ON THE SCHEDULE IN THE ENERGY MANAGEMENT SYSTEM.

**CONDENSING UNIT SCHEDULE**

TAG	DESCRIPTION	NOMINAL CAPACITY [TONS]	NUMBER OF COMPRESSORS	NUMBER OF CIRCUITS	REFRIGERANT TYPE	REFRIGERANT CHARGE	WEIGHT	ELECTRICAL			FURNISHED BY	INSTALLED BY	BASIS FOR DESIGN		REMARKS
								MOCP	FLA	V/P/H			MANUFACTURER	MODEL	
CU-1	WALK-IN COOLER REMOTE CONDENSING UNIT	--	1	1	R-404A		200	15 A	7.2 A	208/3/60	WCS	GC	EVERIDGE	RFO130E4SEAALNT	FURNISHED WITH WALK-IN COOLER
CU-2	ICE MAKER - REMOTE CONDENSER	--	0	1	R-404A	11 lbs 7.4 oz	100			120/1/60	KES	GC	-	-	FURNISHED WITH ICE MAKER
CU-3	ICE MAKER - REMOTE CONDENSER	--	0	1	R-404A	11 lbs 7.4 oz	100			120/1/60	KES	GC	-	-	FURNISHED WITH ICE MAKER

**KITCHEN HOOD SCHEDULE**

TAG	DESCRIPTION	MAX COOKING TEMP.	EXHAUST PLENUM						PERFORATED SUPPLY PLENUMS						NUMBER OF LIGHT FIXTURES	APPROXIMATE WEIGHT [lbs]	FURNISHED BY	INSTALLED BY	BASIS FOR DESIGN		REMARKS					
			AIRFLOW [CFM]	SP [in. W.C.]	DUCT COLLARS				SP [in. W.C.]	SUPPLY PLENUM LENGTH	SUPPLY PLENUM WIDTH	MAU PLENUM							AC PLENUM			MANUFACTURER	MODEL			
					NO.	WIDTH	LENGTH	LENGTH				NO.	WIDTH	LENGTH					AIRFLOW [CFM]	DUCT COLLARS				AIRFLOW [CFM]	DUCT COLLARS	
HD-1	TYPE I CANOPY HOOD WITH PERFORATED MAU AND AC SUPPLY PLENUMS	600°F	3200	0.86	2	10"	15"	14'-3"	4'-3"	0.2	15'-3"	22"	1950	3	10"	28"	800	7	8"	10	1200	HS	GC	CAPTIVE-AIRE	5424 ND-2-ACPSF-F	MAT'L: 18 GA. TYPE 430 SS. PROVIDE WITH 16" TALL HE SS FILTERS, INTEGRAL UTILITY CABINET, ANSUL SYSTEM, DUCT COLLAR TEMPERATURE SENSOR, PREWIRE PACKAGE, SPARE FIRE SYSTEM DRY CONTACT, AND 4-POLE 20A CONTACTOR

**ROOFTOP UNIT SCHEDULE**

TAG	DESCRIPTION	NOMINAL CAPACITY [TONS]	EER	AIRFLOW			NET COOLING CAPACITY				HEATING CAPACITY			# OF COMPRESSORS	# OF CIRCUITS	REFRIG. TYPE	REFRIG. CHARGE	APPROX. WEIGHT [lbs]	ELECTRICAL			FURNISHED BY	INSTALLED BY	BASIS FOR DESIGN		REMARKS	
				TOTAL [CFM]	OA [CFM]	ESP [in. W.C.]	TOTAL [MBH]	SENSIBLE [MBH]	EAT [DEG. F]	COND. EAT [DEG. F]	INPUT [MBH]	OUTPUT [MBH]	EAT [DEG. F]						MOCP	FLA	V/P/H			MANUFACTURER	MODEL		
RTU-1	KITCHEN ROOFTOP UNIT	10	12	3500	500	0.8	122	70	74	67	89	180	144	59	2	2	R-410A	7.9/7.9	1350	50 A	44.9 A	208/3/60	HES	GC	YORK	Z1120	FURNISHED WITH COMP. ENTHALPY ECON., BAROMETRIC RELIEF, RET. SMOKE DETECTOR W/ REMOTE KEYPAD ANNUNCIATOR/RESET, M.O.D., MERV-8 FILTERS, CURB, HAIL GUARD, TOOLLESS HINGED ACCESS PANELS, DISCONNECT, & UNIT-MOUNTED CONVENIENCE RECEPTACLE
RTU-2	DINING ROOM ROOFTOP UNIT	10	12	3500	1000	0.8	127	66	76	69	89	240	192	50	2	2	R-410A	7.9/7.9	1350	50 A	44.9 A	208/3/60	HES	GC	YORK	Z1120	FURNISHED WITH COMP. ENTHALPY ECON., BAROMETRIC RELIEF, RET. SMOKE DETECTOR W/ REMOTE KEYPAD ANNUNCIATOR/RESET, M.O.D., MERV-8 FILTERS, CURB, HAIL GUARD, TOOLLESS HINGED ACCESS PANELS, DISCONNECT, & UNIT-MOUNTED CONVENIENCE RECEPTACLE

Consultant:  
  
**NATIONAL**  
 ENGINEERING  
 4635 Trueman Blvd. Suite 250  
 Hilliard, Ohio 43026  
 Phone: (614) 751-9610  
 Fax: (614) 552-5240  
 Contact: JOE JONES  
 (614) 328-2024  
 JJones@nationalengineering.com

FOR CONSTRUCTION

COPYRIGHT 2022  
 THIS DRAWING IS AN INSTRUMENT OF SERVICE AND AS SUCH REMAINS THE PROPERTY OF CHIPOTLE MEXICAN GRILL, INC. PERMISSION FOR USE OF THIS DOCUMENT IS LIMITED AND CAN BE EXTENDED ONLY BY WRITTEN AGREEMENT WITH CHIPOTLE MEXICAN GRILL, INC.



CHIPOTLE MEXICAN GRILL, INC.  
 PO BOX 182566  
 COLUMBUS, OH 43218-2566  
 TELEPHONE: (614) 318-2400  
 INTERNET: WWW.CHIPOTLE.COM

STORE NO.: 4211  
 SOUTH CANTON  
 45541 MICHIGAN AVE.  
 CANTON, MI 48188

Issue Record:  
 03/25/2022 PERMIT SET  
 07/15/2022 BID SET  
 09/09/2022 CONSTRUCTION SET

Revisions:  
 1 06/15/2022 DB02\_-03 UPDATES

Drawn: JEJ  
 Checked: CIK

Project No:  
 2101128

Contents:  
 HVAC SCHEDULES

M600

FOR CONSTRUCTION

COPYRIGHT 2022  
 THIS DRAWING IS AN INSTRUMENT OF SERVICE  
 AND AS SUCH REMAINS THE PROPERTY OF  
 CHIPOTLE MEXICAN GRILL, INC. PERMISSION FOR  
 USE OF THIS DOCUMENT IS LIMITED AND CAN BE  
 EXTENDED ONLY BY WRITTEN AGREEMENT WITH  
 CHIPOTLE MEXICAN GRILL, INC.



CHIPOTLE MEXICAN GRILL, INC.  
 PO BOX 182566  
 COLUMBUS, OH 43218-2566  
 TELEPHONE: (614) 318-2400  
 INTERNET: WWW.CHIPOTLE.COM

STORE NO.: 4211  
 SOUTH CANTON  
 45541 MICHIGAN AVE.  
 CANTON, MI 48188

Issue Record:	PERMIT SET
03/25/2022	
07/15/2022	BID SET
09/09/2022	CONSTRUCTION SET

Revisions:

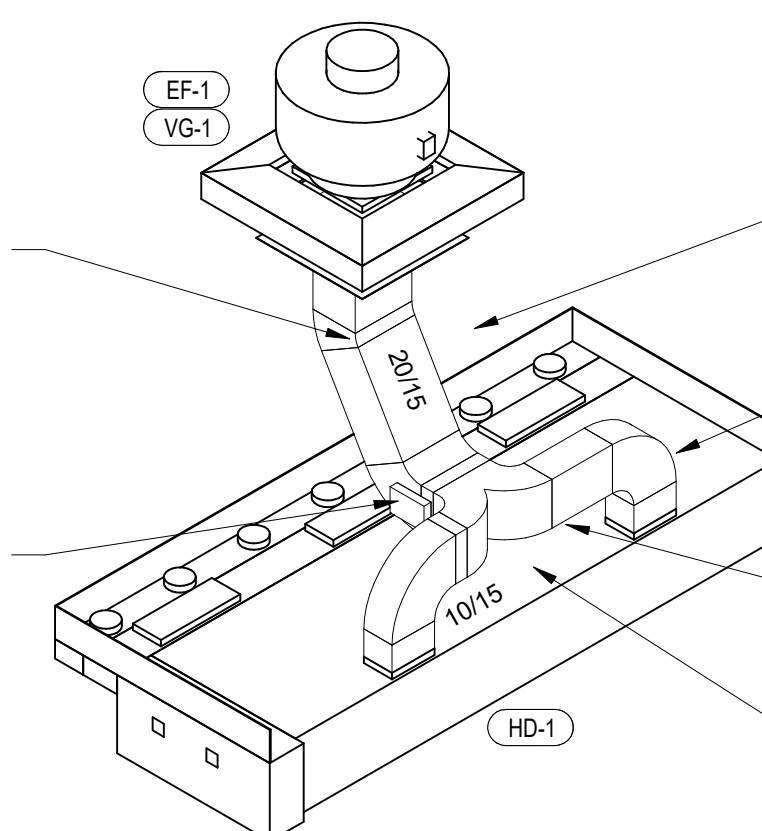
Drawn: JEJ  
 Checked: CIK

Project No:  
 2101128

Contents:

HVAC DETAILS

M700



PROVIDE FIRE RESISTANT INSULATION ON TYPE I HOOD EXHAUST DUCT FROM CONNECTION TO HOOD TO CONNECTION TO EXHAUST FAN PER DETAIL 3/M700.

GREASE DUCT CLEANOUTS SHALL BE UL-LISTED DUCTMATE PREINSULATED CLEANOUT DOORS MODEL D128ULWSBI FOR DUCTS AT LEAST 17" TALL AND DW128ULWSBI FOR DUCTS LESS THAN 17" TALL. CLEANOUTS SHALL BE FURNISHED BY TENANT. COORDINATE NUMBER AND SIZE REQUIRED WITH ENVIROMATIC. INSTALL AS SHOWN IN THE HVAC FLOOR PLAN.

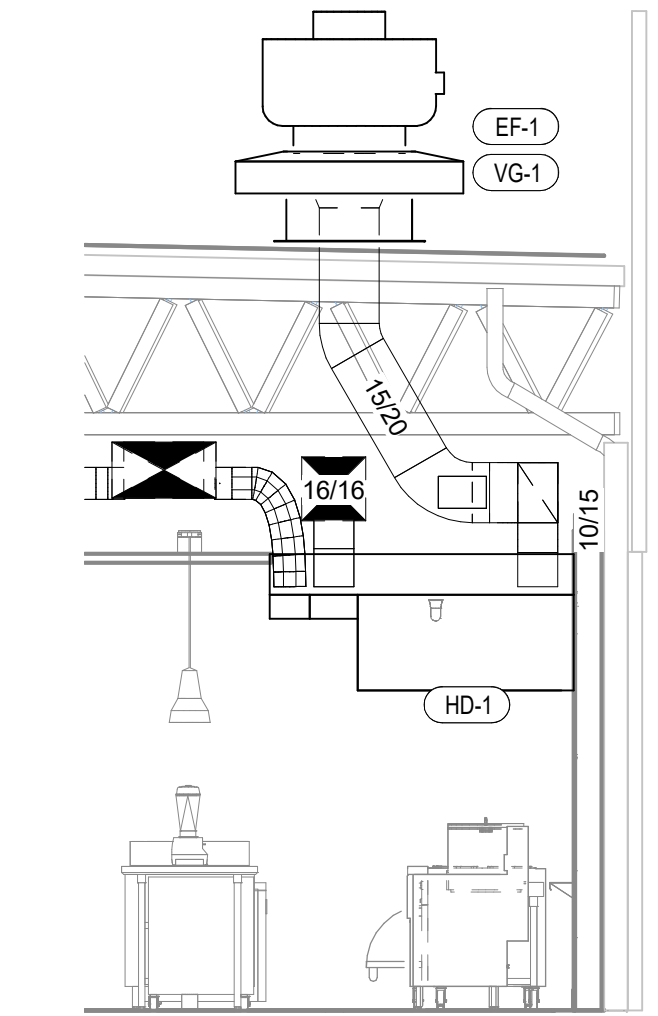
SLOPE HORIZONTAL GREASE DUCT A MINIMUM OF 1/4" PER FOOT DOWN TOWARD THE CONNECTION TO THE HOOD.

PROVIDE RADIUS ELBOWS WITH AN INSIDE RADIUS OF 0.5 X THE DUCT DIMENSION AT ALL CHANGES OF DIRECTION IN THE TYPE I HOOD EXHAUST DUCT.

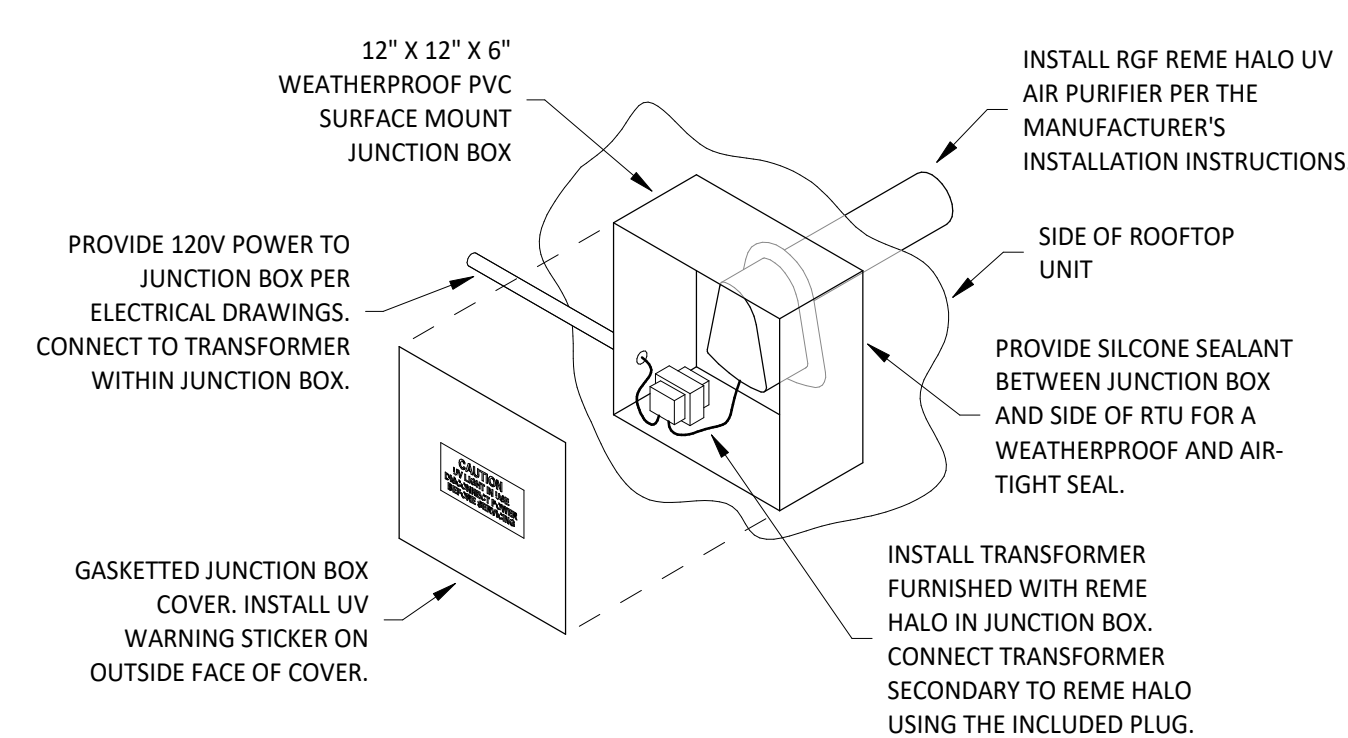
PROVIDE TEE FITTING WITH RADIUS BACK AND RADIUS THROAT WHERE INDIVIDUAL EXHAUST RISERS CONVERGE AS SHOWN. THE CENTERLINE OF THE RADIUS SHALL BE EQUAL TO THE DUCT DIMENSION.

MAINTAIN SYMMETRY IN GREASE EXHAUST DUCT'S TRANSITION TO THE EXHAUST RISER.

8 HOOD EXHAUST ISOMETRIC  
 M700 N.T.S.



7 DUCT SECTION AT HOOD  
 M700 1/4" = 1'-0"



12" X 12" X 6" WEATHERPROOF PVC SURFACE MOUNT JUNCTION BOX

INSTALL RGF REME HALO UV AIR PURIFIER PER THE MANUFACTURER'S INSTALLATION INSTRUCTIONS.

PROVIDE 120V POWER TO JUNCTION BOX PER ELECTRICAL DRAWINGS. CONNECT TO TRANSFORMER WITHIN JUNCTION BOX.

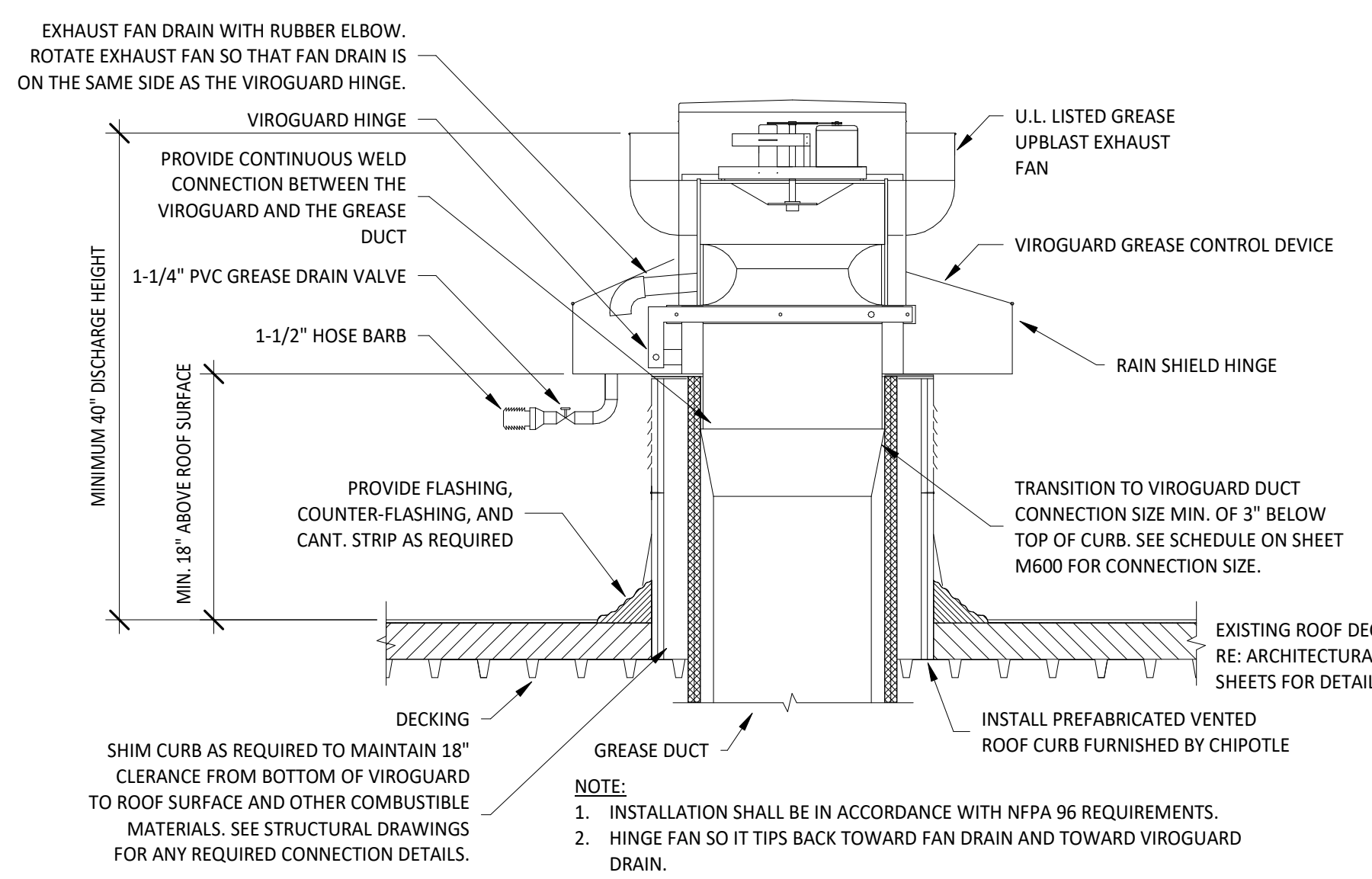
SIDE OF ROOFTOP UNIT

PROVIDE SILICONE SEALANT BETWEEN JUNCTION BOX AND SIDE OF RTU FOR A WEATHERPROOF AND AIR-TIGHT SEAL.

GASKETED JUNCTION BOX COVER. INSTALL UV WARNING STICKER ON OUTSIDE FACE OF COVER.

INSTALL TRANSFORMER FURNISHED WITH REME HALO IN JUNCTION BOX. CONNECT TRANSFORMER SECONDARY TO REME HALO USING THE INCLUDED PLUG.

6 UV AIR PURIFIER INSTALLATION  
 M700 N.T.S.



EXHAUST FAN DRAIN WITH RUBBER ELBOW. ROTATE EXHAUST FAN SO THAT FAN DRAIN IS ON THE SAME SIDE AS THE VIROGUARD HINGE.

VIROGUARD HINGE

PROVIDE CONTINUOUS WELD CONNECTION BETWEEN THE VIROGUARD AND THE GREASE DUCT

U.L. LISTED GREASE UPBLAST EXHAUST FAN

1-1/4" PVC GREASE DRAIN VALVE

1-1/2" HOSE BARB

VIROGUARD GREASE CONTROL DEVICE

RAIN SHIELD HINGE

PROVIDE FLASHING, COUNTER-FLASHING, AND CANT. STRIP AS REQUIRED

TRANSITION TO VIROGUARD DUCT CONNECTION SIZE MIN. OF 3" BELOW TOP OF CURB. SEE SCHEDULE ON SHEET M600 FOR CONNECTION SIZE.

EXISTING ROOF DECK RE: ARCHITECTURAL SHEETS FOR DETAILS

INSTALL PREFABRICATED VENTED ROOF CURB FURNISHED BY CHIPOTLE

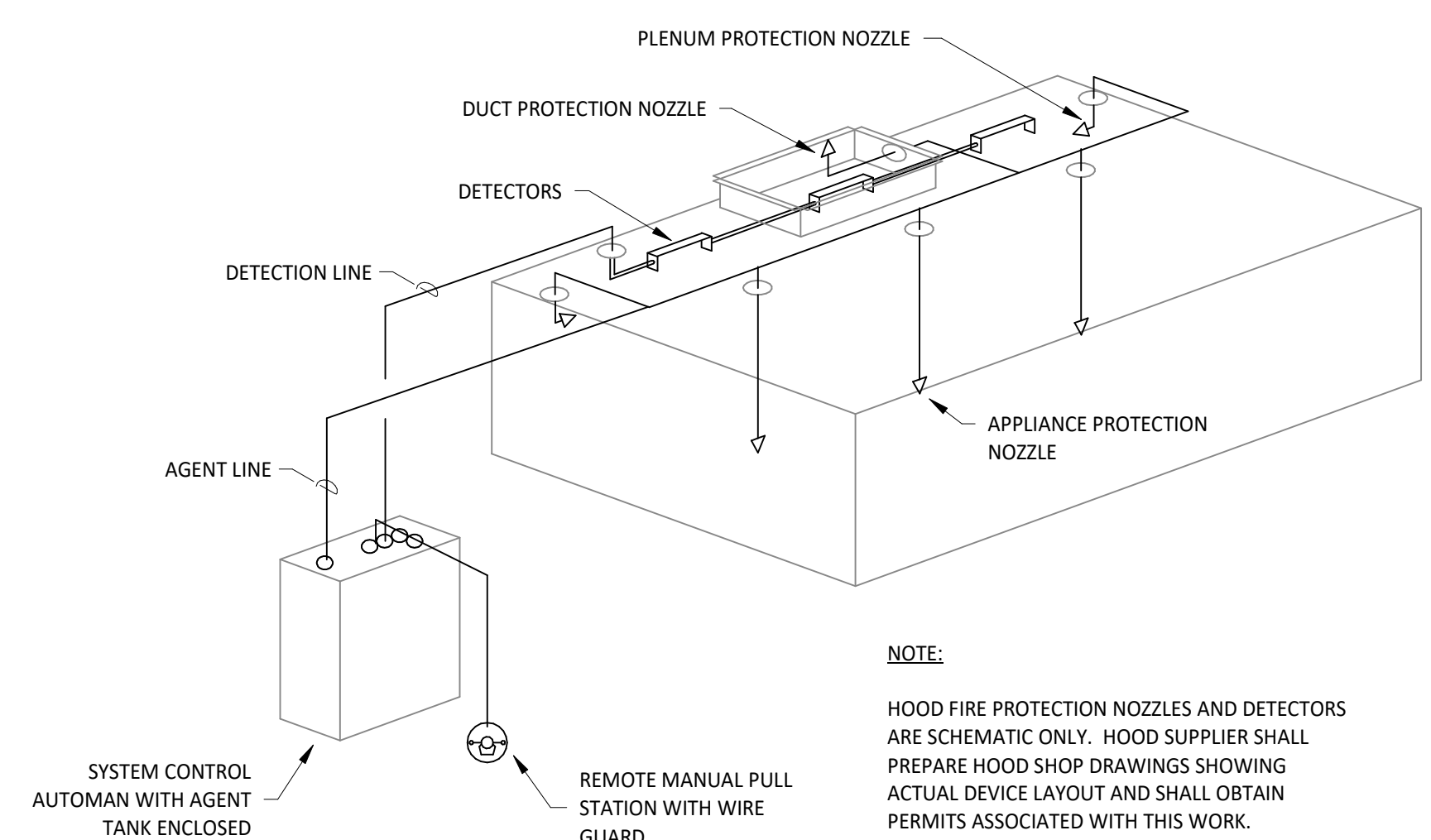
SHIM CURB AS REQUIRED TO MAINTAIN 18" CLEARANCE FROM BOTTOM OF VIROGUARD TO ROOF SURFACE AND OTHER COMBUSTIBLE MATERIALS. SEE STRUCTURAL DRAWINGS FOR ANY REQUIRED CONNECTION DETAILS.

DECKING

GREASE DUCT

NOTE:  
 1. INSTALLATION SHALL BE IN ACCORDANCE WITH NFPA 96 REQUIREMENTS.  
 2. HINGE FAN SO IT TIPS BACK TOWARD FAN DRAIN AND TOWARD VIROGUARD DRAIN.

5 GREASE EXHAUST FAN  
 M700 N.T.S.



PLENUM PROTECTION NOZZLE

DUCT PROTECTION NOZZLE

DETECTORS

APPLIANCE PROTECTION NOZZLE

DETECTION LINE

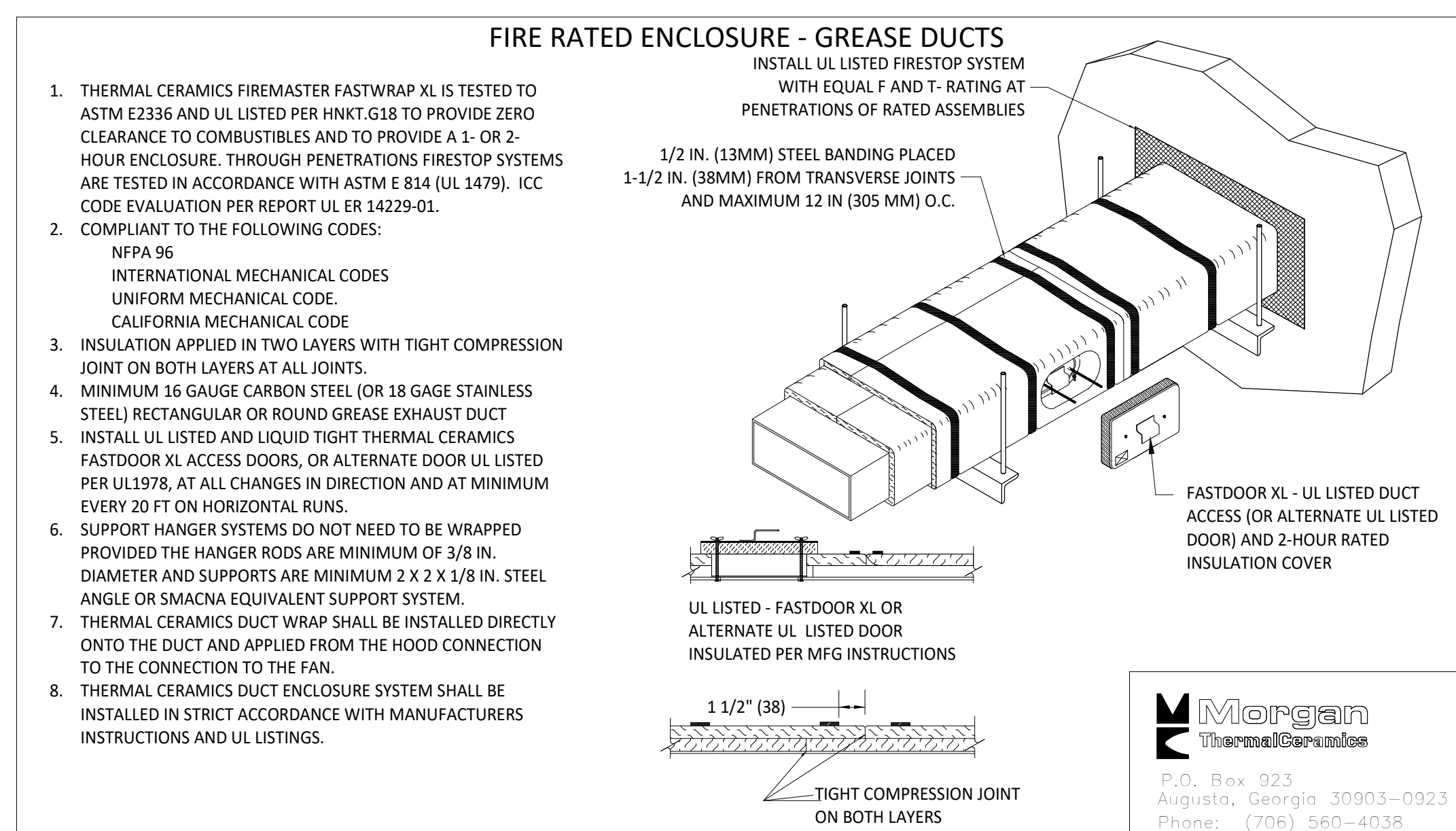
AGENT LINE

SYSTEM CONTROL AUTOMAN WITH AGENT TANK ENCLOSED

REMOTE MANUAL PULL STATION WITH WIRE GUARD

NOTE:  
 HOOD FIRE PROTECTION NOZZLES AND DETECTORS ARE SCHEMATIC ONLY. HOOD SUPPLIER SHALL PREPARE HOOD SHOP DRAWINGS SHOWING ACTUAL DEVICE LAYOUT AND SHALL OBTAIN PERMITS ASSOCIATED WITH THIS WORK.

4 FIRE SUPPRESSION SYSTEM SCHEMATIC  
 M700 N.T.S.



**FIRE RATED ENCLOSURE - GREASE DUCTS**

INSTALL UL LISTED FIRESTOP SYSTEM WITH EQUAL F AND T-RATING AT PENETRATIONS OF RATED ASSEMBLIES

1/2 IN. (13MM) STEEL BANDING PLACED 1-1/2 IN. (38MM) FROM TRANSVERSE JOINTS AND MAXIMUM 12 IN (305 MM) O.C.

FASTDOOR XL - UL LISTED DUCT ACCESS (OR ALTERNATE UL LISTED INSULATION COVER)

UL LISTED - FASTDOOR XL OR ALTERNATE UL LISTED DOOR INSULATED PER MFG INSTRUCTIONS

TIGHT COMPRESSION JOINT ON BOTH LAYERS

1. THERMAL CERAMICS FIREMASTER FASTWRAP XL IS TESTED TO ASTM E2336 AND UL LISTED PER HNKT.G18 TO PROVIDE ZERO CLEARANCE TO COMBUSTIBLES AND TO PROVIDE A 1- OR 2-HOUR ENCLOSURE. THROUGH PENETRATIONS FIRESTOP SYSTEMS ARE TESTED IN ACCORDANCE WITH ASTM E 814 (UL 1479). ICC CODE EVALUATION PER REPORT UL ER 14229-01.

2. COMPLIANT TO THE FOLLOWING CODES:  
 NFPA 96  
 INTERNATIONAL MECHANICAL CODES  
 UNIFORM MECHANICAL CODE  
 CALIFORNIA MECHANICAL CODE

3. INSULATION APPLIED IN TWO LAYERS WITH TIGHT COMPRESSION JOINT ON BOTH LAYERS AT ALL JOINTS.

4. MINIMUM 16 GAUGE CARBON STEEL (OR 18 GAGE STAINLESS STEEL) RECTANGULAR OR ROUND GREASE EXHAUST DUCT

5. INSTALL UL LISTED AND LIQUID TIGHT THERMAL CERAMICS FASTDOOR XL ACCESS DOORS, OR ALTERNATE DOOR UL LISTED PER UL1978, AT ALL CHANGES IN DIRECTION AND AT MINIMUM EVERY 20 FT ON HORIZONTAL RUNS.

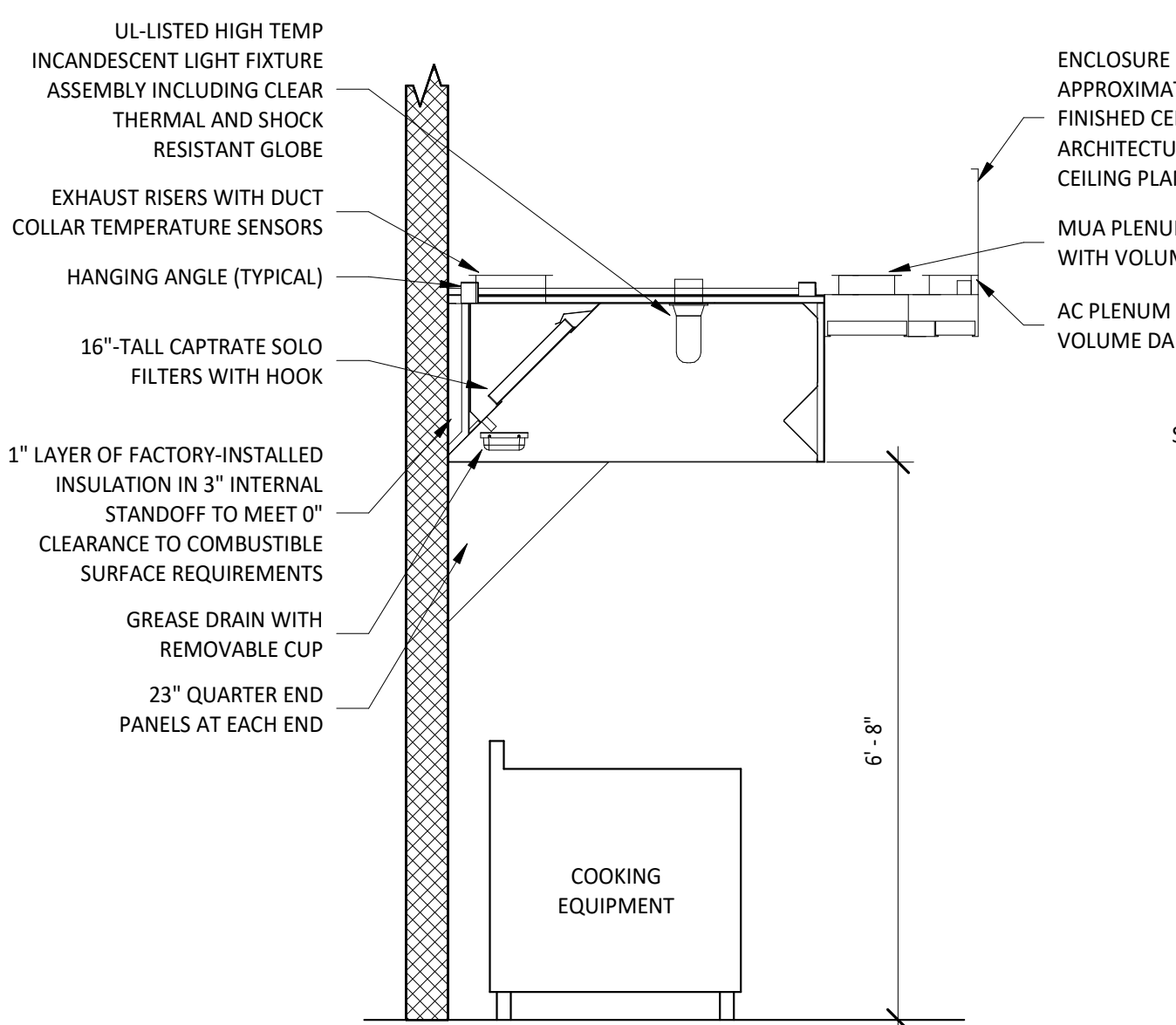
6. SUPPORT HANGER SYSTEMS DO NOT NEED TO BE WRAPPED PROVIDED THE HANGER RODS ARE MINIMUM OF 3/8 IN. DIAMETER AND SUPPORTS ARE MINIMUM 2 X 2 X 1/8 IN. STEEL ANGLE OR SMACNA EQUIVALENT SUPPORT SYSTEM.

7. THERMAL CERAMICS DUCT WRAP SHALL BE INSTALLED DIRECTLY ONTO THE DUCT AND APPLIED FROM THE HOOD CONNECTION TO THE CONNECTION TO THE FAN.

8. THERMAL CERAMICS DUCT ENCLOSURE SYSTEM SHALL BE INSTALLED IN STRICT ACCORDANCE WITH MANUFACTURERS INSTRUCTIONS AND UL LISTINGS.

Morgan Thermal Ceramics  
 P.O. Box 923  
 Augusta, Georgia 30903-0923  
 Phone: (706) 560-4038

3 FIREMASTER DUCT WRAP - UL HNKT-G18  
 M700 N.T.S.



UL-LISTED HIGH TEMP INCANDESCENT LIGHT FIXTURE ASSEMBLY INCLUDING CLEAR THERMAL AND SHOCK RESISTANT GLOBE

EXHAUST RISERS WITH DUCT COLLAR TEMPERATURE SENSORS

HANGING ANGLE (TYPICAL)

16"-TALL CAPTRATE SOLO FILTERS WITH HOOK

1" LAYER OF FACTORY-INSTALLED INSULATION IN 3" INTERNAL STANDOFF TO MEET 0" CLEARANCE TO COMBUSTIBLE SURFACE REQUIREMENTS

GREASE DRAIN WITH REMOVABLE CUP

23" QUARTER END PANELS AT EACH END

ENCLOSURE PANEL TO BE APPROXIMATELY 2" ABOVE FINISHED CEILING. REFER TO ARCHITECTURAL REFLECTED CEILING PLAN FOR CEILING HEIGHT.

MUA PLENUM SUPPLY RISERS WITH VOLUME DAMPERS

AC PLENUM SUPPLY RISERS WITH VOLUME DAMPERS

SPIN-IN COLLAR WITH MANUAL VOLUME DAMPER

SUPPORT WITH 1" WIDE STRAP TO STRUCTURE ABOVE

INSULATED FLEXIBLE DUCT 5'-0" MAX

PROVIDE THERMAFLEX 90° ELBOW FLEX DUCT SUPPORT

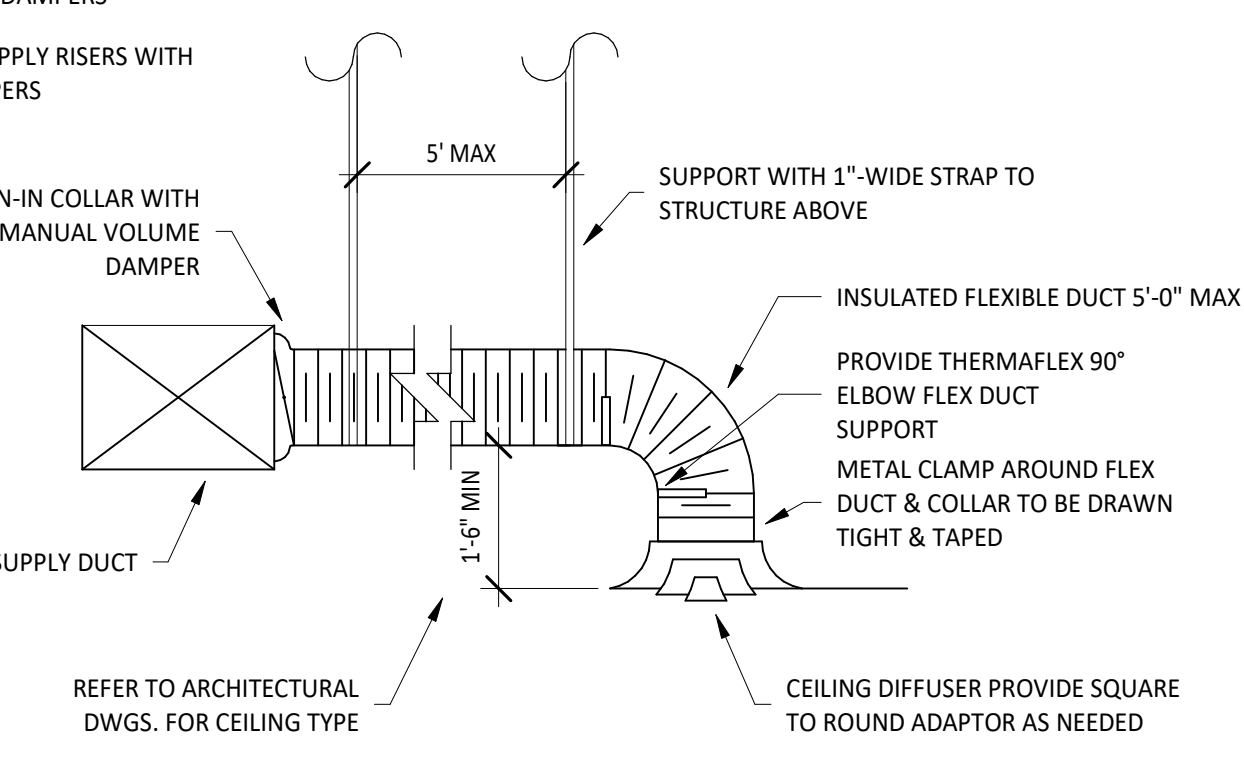
METAL CLAMP AROUND FLEX DUCT & COLLAR TO BE DRAWN TIGHT & TAPED

CEILING DIFFUSER PROVIDE SQUARE TO ROUND ADAPTOR AS NEEDED

REFER TO ARCHITECTURAL DWGS. FOR CEILING TYPE

NOTE:  
 1. METHOD OF INSTALLATION FOR AIRTIGHT SEAL IS TYPICAL FOR ALL FLEX CONNECTIONS TO AIR DISTRIBUTION DEVICES.

2 HOOD SECTION VIEW  
 M700 N.T.S.



1'-6" MIN

5' MAX

SUPPLY DUCT

CEILING DIFFUSER PROVIDE SQUARE TO ROUND ADAPTOR AS NEEDED

1 DIFFUSER CONNECTION  
 M700 N.T.S.