

**Report By:**

National TAB  
1329 E. KEMPER ROAD  
SUITE 4210  
CINCINNATI, OH 45246



**Report: TAB REPORT**  
**Function: Test, Adjust, & Balance**  
**Date: 03/03/2026**  
**Completed By:**

# PROJECT

## OAP - Willowbridge 12th Floor (Dallas, TX)

1722 Routh Street

Dallas, TX 75201

**Client**

Billingsley  
ONE ART PLAZA  
1722 ROUTH ST SUITE 1313  
DALLAS, TX 75201

# National TAB

Project: OAP - Willowbridge 12th Floor (Dallas, TX)

## Table Of Contents

<b>Section</b>	<b>Page #</b>
Certification	3
Equipment Calibrations	4
Abbreviations	5
GRD	6
VAVs	8



# CERTIFICATION

**PROJECT:** OAP - Willowbridge 12th Floor (Dallas, TX)

The data presented in this report is a record of system measurements and final adjustments that have been obtained in accordance with the current edition of the NEBB *Procedural Standards for Testing, Adjusting, and Balancing of Environmental Systems*. Any variances from design quantities, which exceed NEBB tolerances, are noted in the Test-Adjust-Balance Report Project Summary.

The air distribution system has been tested and balanced and final adjustments have been made in accordance with NEBB standards and the project specifications.

**NEBB TAB FIRM:** National TAB-Southeast

**REGISTRATION NO:** 3755

**CERTIFIED BY:** J. Scott Springer 23312

**DATE:** 3/3/2026

The hydronic distribution system has been tested and balanced and final adjustments have been made in accordance with NEBB standards and the project specifications.

**NEBB TAB FIRM:** National TAB-Southeast

**REGISTRATION NO:** 3755

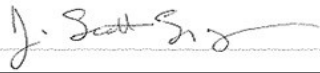
**CERTIFIED BY:** J. Scott Springer 23312

**DATE:** \_\_\_\_\_

## Submitted and Certified by:

**NEBB TAB FIRM:** National TAB-Southeast

**TAB PROFESSIONAL:** J. Scott Springer

**SIGNATURE:** 

**REGISTRATION NO:** 3755 (NTAB) / 23312

**CERTIFICATION EXP:** 12/31/2026





# National TAB

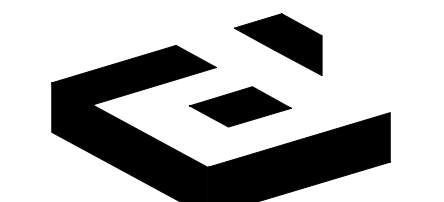
## Testing, Adjusting, and Balancing Equipment



Function		Range	Minimum Accuracy	Instrument Information	Calibration Date	Date Due
AIR	AIR PRESSURE	0 in wg to 10 in wg	2% +/- 0.001 in wg	Evergreen S-PVF-1 S/N 25D-00848	12/11/2025	12/11/2026
	AIR VELOCITY INSTRUMENT	50 fpm to 3900 fpm	+/- 5 % +/- 7 fpm	Evergreen S-PVF-1 S/N 25D-00848	12/11/2025	12/11/2026
	DIRECT HOOD READING	100 cfm to 2000 cfm	+/- 3 % +/- 7 cfm	Evergreen 15D Flow Hood	12/11/2025	12/11/2026
TEMPERATURE	AIR METER	-20 F to 240 F	+/- .5 % 2 F	Cooper ATKINS - SRH77A S/N 081820093	9/30/2025	9/30/2026
	AIR PROBE	-20 F to 240 F	+/- .5 % 2 F	Cooper ATKINS - PD1388 7-6 S/N 5028	9/30/2025	9/30/2026
	IMMERSION METER	-20 F to 240 F	+/- .5 % 2 F	Cooper ATKINS - SRH77A S/N 081820093	9/30/2025	9/30/2026
	IMMERSION PROBE	-20 F to 240 F	+/- .5 % 2 F	Cooper ATKINS - PD1388 7-6 S/N 1075	9/30/2025	9/30/2026
	CONTACT METER	-20 F to 240 F	+/- .5 % 2 F	Cooper ATKINS - SRH77A S/N 081820093	9/30/2025	9/30/2026
	CONTACT PROBE	-20 F to 240 F	+/- .5 % 2 F	Cooper ATKINS - PD1388 7-6 S/N 4011	9/30/2025	9/30/2026
HUMIDITY	HUMIDITY PROBE	10 % RH to 90 % RH	3% of reading	Cooper ATKINS - SRH77A S/N 090315046	9/30/2025	9/30/2026
ELECTRICAL	VOLTAGE MEASUREMENT	0 VAC to 600 VAC	2 % reading +/- 5 digits	Dwyer CM-1 - S/N 190800099	9/30/2025	9/30/2026
	AMPERAGE MEASUREMENT	0 Amperers to 100 Amperes	2 % reading +/- 5 digits	Dwyer CM-1 - S/N 190800099	9/30/2025	9/30/2026
ROTATION	ROTATION MEASUREMENT	60 rpm to 5000 rpm	2 % reading 2 rpm	Dwyer TAC-L - S/N S1100123	9/30/2025	9/30/2026
HYDRONIC	PRESSURE MEASUREMENT	-30 in Hg to 200 psi	±2% of reading +/- 1 psi	Shortridge HDM 250 - S/N W25059	6/18/2025	6/18/2026
	DIFFERENTIAL PRESSURE MEASUREMENT	0 psi - 80 psi	±2% of reading +/- 1 psi	Shortridge HDM 250 - S/N W25059	6/18/2025	6/18/2026

## Abbreviation List

A = Area (ft <sup>2</sup> )	S.F. = Service Factor
AHU = Air Handling Unit	SF = Supply Fan
A <sub>k</sub> = Effective Area	SP = Static Pressure
BHP = Brake Horsepower (IP) HP	SR = Supply Register
Btu = British Thermal Unit	T = Temperature
Btu/h = Btuh = BTUH = BTU/Hour	T <sub>ma</sub> = Mixed Air Temperature
CL = Center Distance (used in belt formula)	T <sub>oa</sub> = Outside Air Temperature
CD = Ceiling Diffuser	T <sub>ra</sub> = Return Air Temperature
CF = Correction Factor	H = Head (in wc, ft wc, psi)
CFM = Volumetric Flow: Cubic Feet Per Minute	h = Enthalpy
CO <sub>2</sub> = Carbon Dioxide	HP = Horsepower
CO = Carbon Monoxide	hr = Hour
C <sub>v</sub> = Flow Constant	K <sub>v</sub> = Flow constant (SI)
d = Diameter (in.) IP	kW = Kilowatt = 1000 Watts
Δ = Difference or Change (Final - Initial)	LAT = Leaving Air Temperature
DB = Dry Bulb	lb = Pounds
EA = Exhaust Air	LWT = Leaving Water Temperature
EAT = Entering Air Temperature	ma = Mixed Air
EF = Exhaust Fan	MIN = Minimum
Eff = Efficiency	MAX = Maximum
EG = Exhaust Grille	N/A = Not Applicable
ESP = External Static Pressure	NA = No Access
EWT = Entering Water Temperature	NL = Not Listed
°F = Degrees Fahrenheit, °F	NPSHA = Net Positive Suction Head Available
FPB = Fan Powered Box	NS = Not Specified
FLA = Full Load Amps	OA = Outside Air
fpm = Feet per Minute (fpm)	OAT = Outside Air Temperature
ft = Foot	PD = Sheave Pitch Diameter
gal = Gallons	P.D. = Pressure Drop
GPM = Gallons Per Minute (GPM)	PF = Power Factor
h = Enthalpy (BTU/lb dry air)	SG = Supply Grille
P = Pressure	SR = Supply Register
ppm = parts per million	TP = Total Pressure
psi = Pounds Per Square Inch	T <sub>ra</sub> = Return Air Temperature
psid = PSI Differential	TS = Tip Speed (fpm) IP, (m/s) SI
r = Radius (in)	TSP = Total Static Pressure
% <sub>ra</sub> = % of Return Air	V = Velocity
RA = Return Air	VAV = Variable Air Volume
RAT = Return Air Temperature	VD = Volume Damper
RF = Return Fan	VFD = Variable Frequency Drive
RG = Return Grille	W = Watt
RH = Relative Humidity	WB = Wet Bulb
RPM = Revolutions Per Minute	wg = wc = water gauge = water column
RTU = Roof Top Unit	WHP = Water Horsepower (IP)
SA = Supply Air	ω = Humidity Ratio



2641 IRVING BLVD.  
DALLAS, TEXAS 75207  
TEL: 214-638-6800

ARCHITECT/ENGINEER

Purdy - McGuire  
Mechanical/Electrical Engineers  
17300 North Dallas Parkway  
Suite 3000  
Dallas, Texas 75248-1447  
Firm Registration # F-1511  
Tel: 972-239-5357  
Fax: 972-239-5231  
www.purdy-mcguire.com

PROJECT NO. 25026.001  
PROJECT MGR. TODD JOHNSON

THIS DRAWING SHALL NOT BE REPRODUCED FOR ANY PROJECT OTHER THAN THE PROJECT NOTED IN THE TITLE BLOCK, WITHOUT THE WRITTEN CONSENT OF PURDY-MCGUIRE, INC., DALLAS, TX.

SEAL



PROJECT NUMBER: 103-115  
DRAWN BY: MK/RR  
CHECKED BY: MW  
R.S.F.: 39.238

ONE ARTS PLAZA  
WILLOW BRIDGE

1722 ROUTH STREET  
SUITE #1200  
DALLAS, TX 75201

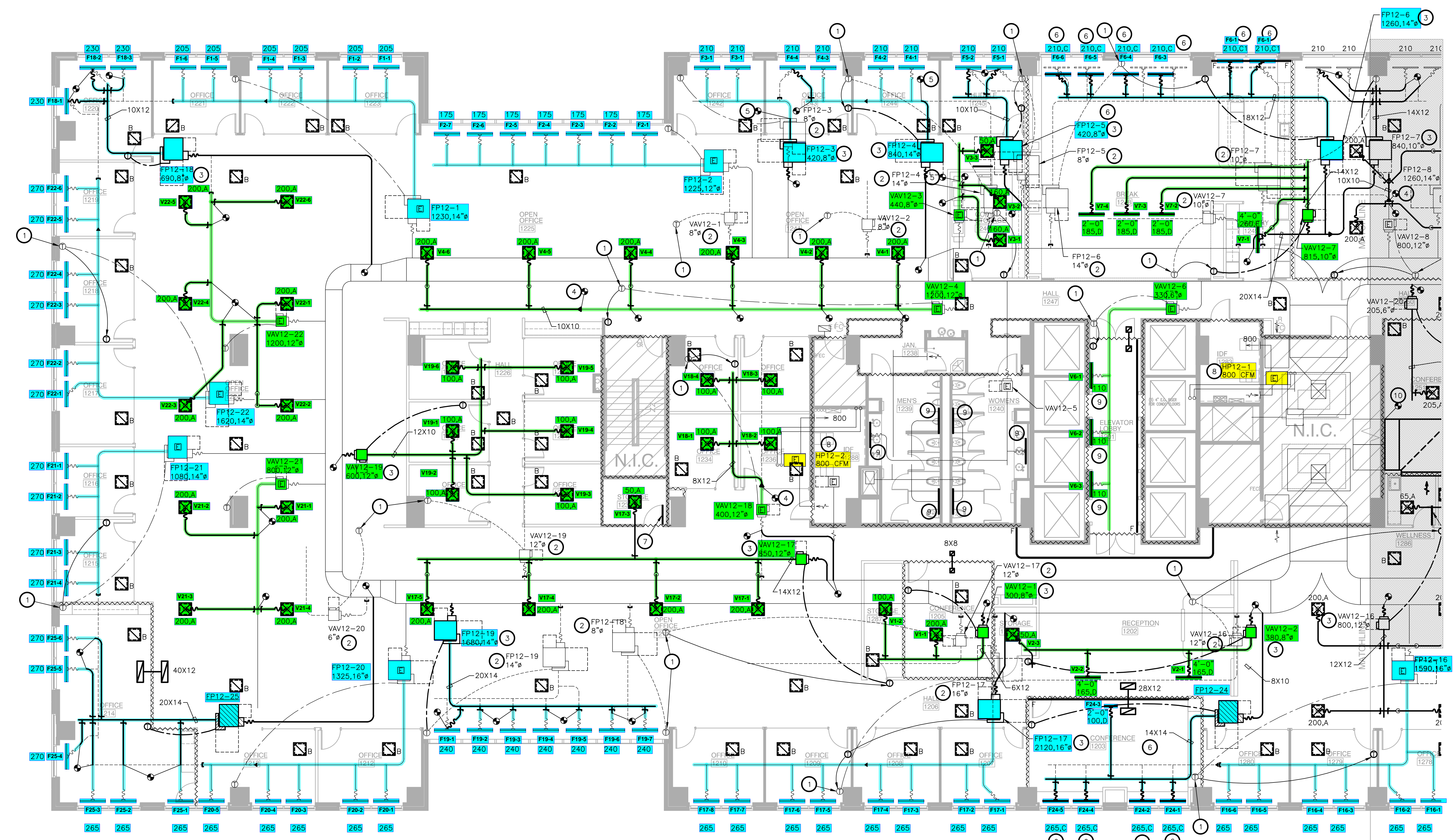
NO.	REVISIONS:	DATE:

CLIENT/LANDLORD ISSUE DATE: 04/17/2025  
BIO ISSUE DATE: 04/17/2025  
PERMIT ISSUE DATE: 04/17/2025  
CONSTRUCTION ISSUE DATE: XX/XX/2025

DRAWING TITLE:  
LEVEL 12  
MECHANICAL PLAN -  
NORTH

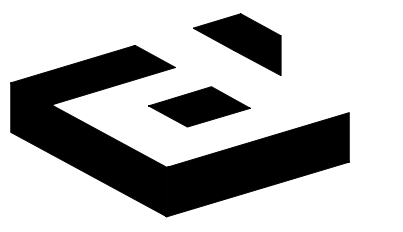
DRAWING NUMBER:  
**M2.12A**

REFER TO SHEET M2.12B FOR KEYED NOTES AND CONTINUATION OF SCOPE.



① LEVEL 11 MECHANICAL PLAN - NORTH  
SCALE: 1/8"=1'-0"





2641 IRVING BLVD.  
DALLAS, TEXAS 75207  
TEL: 214-638-6800

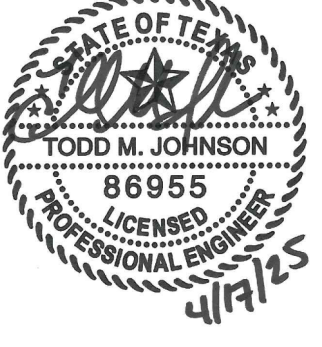
ARCHITECT/ENGINEER

Purdy - McGuire  
Mechanical/Electrical Engineers  
17300 North Dallas Parkway  
Suite 3000  
Dallas, Texas 75248-1407  
Firm Registration # F-1511  
Tel: 972-239-5357  
Fax: 972-239-5231  
www.purdy-mcguire.com

PMI JOB NO. 25026.001  
PROJECT MGR. TODD JOHNSON

THIS DRAWING SHALL NOT BE REPRODUCED FOR ANY PROJECT OTHER THAN THE PROJECT NOTED IN THE TITLE BLOCK WITHOUT THE WRITTEN CONSENT OF PURDY-MCGUIRE, INC. DALLAS, TX.

SEAL



PROJECT NUMBER: 103-115  
DRAWN BY: MK/RR  
CHECKED BY: MW  
R.S.F.: 39,238

ONE ARTS PLAZA  
WILLOW BRIDGE

1722 ROUTH STREET  
SUITE #1200  
DALLAS, TX 75201

NO.	REVISIONS	DATE

CLIENT/LANDLORD ISSUE DATE: 04/17/2025  
BID ISSUE DATE: 04/17/2025  
PERMIT ISSUE DATE: 04/17/2025  
CONSTRUCTION ISSUE DATE: XX/XX/2025

DRAWING TITLE:  
LEVEL 12  
MECHANICAL  
PLAN - SOUTH

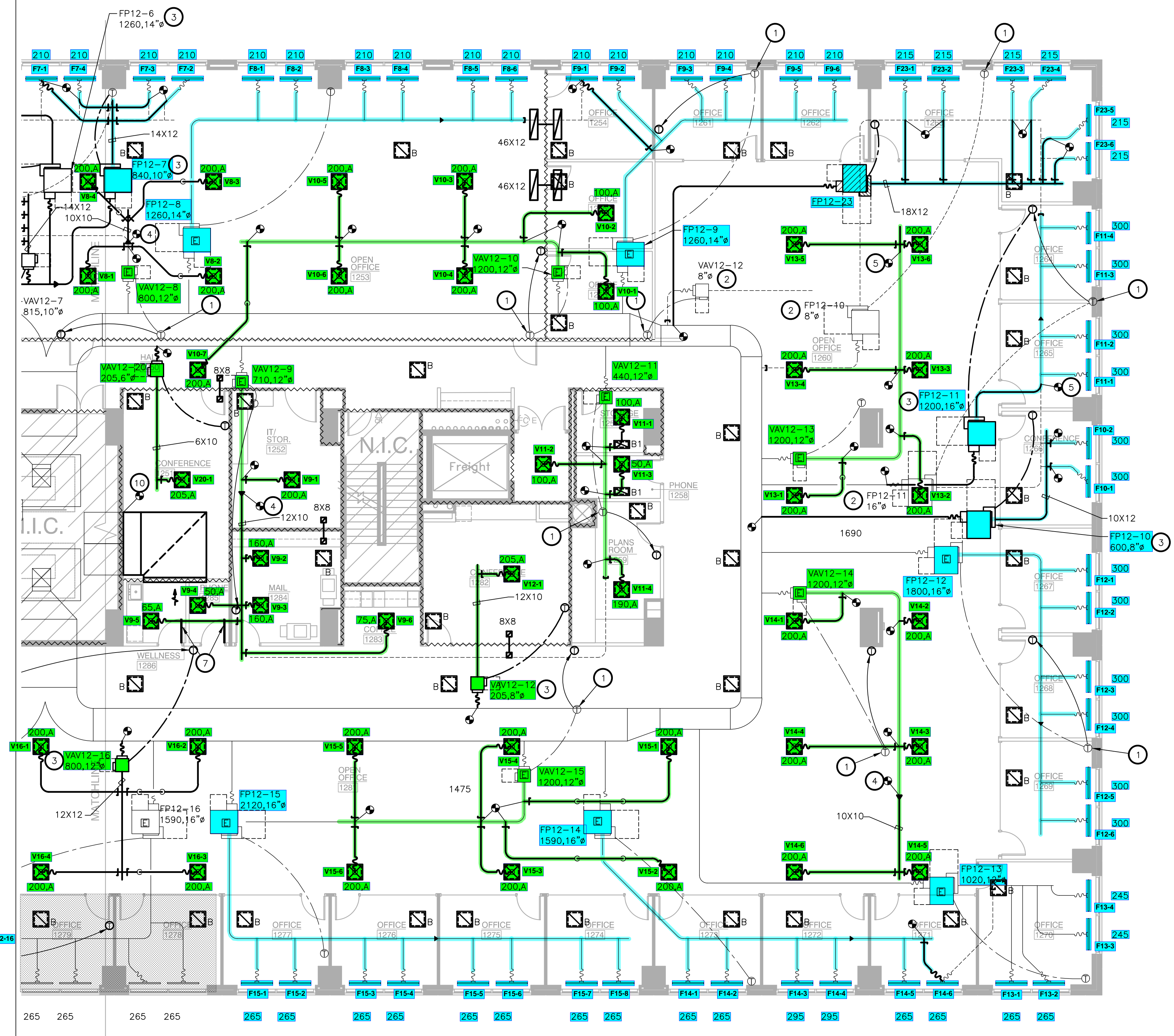
DRAWING NUMBER:  
**M2.12B**

### NOTES BY SYMBOL ☒ :

- RELOCATE EXISTING THERMOSTAT TO NEW LOCATION AS SHOWN ON PLAN. CONFIRM THAT THE THERMOSTATS ARE ASSOCIATED WITH THE TERMINAL BOX AS SHOWN ON THE DRAWING BEFORE RELOCATING AND ARE IN WORKING ORDER.
- EXISTING LOCATION OF TERMINAL BOX TO BE RELOCATED. REMOVE EXISTING MEDIUM AND LOW PRESSURE DUCTWORK AS INDICATED ON DRAWINGS.
- NEW LOCATION OF TERMINAL BOX. MOUNT BOX FROM STRUCTURE ABOVE. ENSURE BOX CLEARANCES ARE MAINTAINED AT NEW LOCATION; EXTEND NEW MEDIUM AND LOW PRESSURE DUCT AS INDICATED ON DRAWINGS. COORDINATE RELOCATION WITH OTHER TRADES INVOLVED.
- TRANSITION EXISTING DUCT TO NEW DUCT SIZE USING SAME METHODS AND MATERIALS TO MATCH EXISTING DUCT. VERIFY SIZE AT JOB SITE.
- CONNECT FULL SIZE NEW DUCT SAME SIZE TO MATCH EXISTING DUCT USING SAME METHODS AND MATERIALS TO MATCH EXISTING DUCT. VERIFY SIZE AT JOB SITE.
- ENSURE SLOT DIFFUSERS ARE COMPLETE WITH ADJUSTABLE DAMPERS FOR VOLUME AND DIRECTIONAL DAMPER CONTROLS IN ACCORDANCE WITH MANUFACTURER'S RECOMMENDATIONS.
- ENSURE DOOR UNDERCUT IS A MINIMUM OF 3/4" TO ALLOW FOR RETURN AIR.
- VERIFY THAT EXISTING AC UNIT IS OPERATING PER MANUFACTURER'S SPECIFICATIONS. PROVIDE PARTS AND LABOR AS REQUIRED TO RESTORE UNIT BACK TO LIKE NEW CONDITIONS. ENSURE UNIT HAS A CATCH PAN WITH LEAK DETECTION. IF NOT, PROVIDE A GALVANIZED SHEET METAL SECONDARY DRAIN PAN 3" LARGER (ON EACH SIDE) THAN ANY DIMENSION OF THE UNIT AND EXTEND 3/4" CONDENSATE OVERFLOW DRAIN AND EXTEND TO NEAREST MOP SINK OR FLOOR DRAIN.
- REMOVE, CLEAN, REPAIR AND RELOCATE EXISTING SLOT DIFFUSER TO NEW SUSPENDED CEILING IN ELEVATOR LOBBY.
- CONNECT TO EXISTING RETURN AIR DUCT SILENCERS AND EXTEND INSULATED SHEET METAL RETURN AIR DUCT FROM EXISTING DUCT SILENCERS THRU CONFERENCE ROOM, THRU WALL TO DECK AS SHOWN ON DRAWINGS.

### 2X2 GRILLE NOTE:

CLEAN, REPAIR AND RELOCATE EXISTING 2X2 SUPPLY AND RETURN AIR DIFFUSERS TO LOCATION INDICATED ON DRAWINGS PRIOR TO PURCHASING NEW DIFFUSERS.



① LEVEL 11 MECHANICAL PLAN - SOUTH  
SCALE: 1/8"=1'-0"



# National TAB

**Project: OAP - Willowbridge**  
**Address: 1722 Routh Street, #1200 Dallas, TX 75201**

**Asset: Single Duct VAV's**

Asset	Area Served	Address	Type	Size	Design Max CFM	Actual Max CFM	Design Min CFM	Actual Min CFM	Ak (max)
VAV12-1	1205	VAV-12-1	COOLING	8	300	304	60	63	872
VAV12-2	1202	VAV_12_2	COOLING	8	380	385	76	79	760
VAV12-3	1246	VAV_12_3	COOLING	8	370	376	74	80	931
VAV12-4	1247	VAV_12_4	COOLING	12	1200	1159	240	257	1895
VAV12-6	1201	VAV_12_6	COOLING	6	330	326	66	68	361
VAV12-7	1248	VAV_12_7	COOLING	10	815	804	163	167	1282
VAV12-8	1253	VAV_12_8	COOLING	12	800	831	160	156	2688
VAV12-9	1284	VAV_12_9	COOLING	12	710	720	142	147	2531
VAV12-10	1253	VAV_12_10	COOLING	12	1200	1190	240	248	1976
VAV12-11	1259	VAV_12_11	COOLING	12	440	456	88	93	1902
VAV12-12	1282	VAV_12_12	COOLING	8	205	201	41	42	1010
VAV12-13	1260	VAV_12_13	COOLING	12	1200	1221	240	237	2076
VAV12-14	1260	VAV_12_14	COOLING	12	1200	1211	240	247	1852
VAV12-15	1281	VAV_12_15	COOLING	12	1200	1233	240	249	1548
VAV12-16	1281	VAV_12_16	COOLING	12	800	846	160	157	1671
VAV12-17	1211	VAV_12_17	COOLING	12	850	867	170	182	1976
VAV12-18	1235	VAV_12_18	COOLING	12	400	406	80	228[1]	6120
VAV12-19	1228	VAV_12_19	COOLING	12	600	609	120	121	2225
VAV12-20	1251	VAV_12_20	COOLING	6	205	201	41	43	563
VAV12-21	1224	VAV_12_21	COOLING	12	800	826	160	165	1883
VAV12-22	1224	VAV_12_22	COOLING	12	1200	1230	240	243	1916

**NOTES:**

[1] UNIT IS AN EXISTING 12" VAV. UNIT IS UNABLE TO READ LOWER THAN 300 CFM ACURATLEY.  
UNIT AT MINIMUM DESIGN CFM IS SHOWING 0 CFM AT VAV HOWEVER VAV IS AT 228 CFM.

**Project: OAP - Willowbridge**  
**Address: 1722 Routh Street, #1200 Dallas, TX 75201**

**Asset: VAV SUPPLY**

Asset	Area Served	Type	Size	DESIGN CFM	Prelim CFM	FINAL CFM	% to design
V1-1	1205	A	8	200	144	201	1.01
V1-2	1287	A	6	100	170	103	1.03
<b>VAV12-1</b>				<b>300</b>	<b>314</b>	<b>304</b>	<b>1.01</b>
V2-1	1202	D	8	165	43	168	1.02
V2-2	1202	D	8	165	114	169	1.02
V2-3	1204	A	6	50	190	48	0.96
<b>VAV12-2</b>				<b>380</b>	<b>347</b>	<b>385</b>	<b>1.01</b>
V3-1	1246	A	8	160	179	176	1.10
V3-2	1246	A	8	160	146	150	0.94
V3-3	HALL	A	6	50	80	50	1.00
<b>VAV12-3</b>				<b>370</b>	<b>405</b>	<b>376</b>	<b>1.02</b>
V4-1	1247	A	8	200	139	214	1.07
V4-2	1247	A	8	200	238	210	1.05
V4-3	1247	A	8	200	259	206	1.03
V4-4	1247	A	8	200	166	199	1.00
V4-5	1247	A	8	200	234	196	0.98
V4-6	1247	A	8	200	123	193	0.97
<b>VAV12-4</b>				<b>1200</b>	<b>1159</b>	<b>1218</b>	<b>1.02</b>
V6-1	1201	LD		110	[1]	[1]	-
V6-2	1201	LD		110	[1]	[1]	-
V6-3	1201	LD		110	[1]	[1]	-
<b>VAV12-6</b>				<b>330</b>	<b>276</b>	<b>326</b>	<b>0.99</b>

NOTES:

[1] UNABLE TO READ INDIVIDUAL DIFFUSERS WITH FLOWHOOD. UNIT WAS CALIBRATED AND BALANCED VIA TOTAL TRAVERSE.

# National TAB

**Project: OAP - Willowbridge**  
**Address: 1722 Routh Street, #1200 Dallas, TX 75201**

**Asset: VAV SUPPLY**

Asset	Area Served	Type	Size	DESIGN CFM	Prelim CFM	FINAL CFM	% to design
V7-1	1249	F	8	260	175	268	1.03
V7-2	1248	D	8	185	226	191	1.03
V7-3	1248	D	8	185	74	166	0.90
V7-4	1248	D	8	185	300	179	0.97
<b>VAV12-7</b>				<b>815</b>	<b>775</b>	<b>804</b>	<b>0.99</b>
V8-1	1253	A	8	200	264	197	0.99
V8-2	1253	A	8	200	373	220	1.10
V8-3	1253	A	8	200	333	215	1.08
V8-4	1253	A	8	200	269	199	1.00
<b>VAV12-8</b>				<b>800</b>	<b>1239</b>	<b>831</b>	<b>1.04</b>
V9-1	1252	A	8	200	153	190	0.95
V9-2	1284	A	8	160	101	168	1.05
V9-3	1284	A	8	160	154	168	1.05
V9-4	1285	A	6	50	218	55	1.10
V9-5	1286	A	6	65	147	65	1.00
V9-6	1283	A	6	75	235	74	0.99
<b>VAV12-9</b>				<b>710</b>	<b>1008</b>	<b>720</b>	<b>1.01</b>
V10-1	1256	A	6	100	44	98	0.98
V10-2	1255	A	6	100	144	98	0.98
V10-3	1253	A	8	200	50	199	1.00
V10-4	1253	A	8	200	266	198	0.99
V10-5	1253	A	8	200	201	189	0.95
V10-6	1253	A	8	200	233	215	1.08
V10-7	1250	A	8	200	259	193	0.97
<b>VAV12-10</b>				<b>1200</b>	<b>1197</b>	<b>1190</b>	<b>0.99</b>



**Project: OAP - Willowbridge**  
**Address: 1722 Routh Street, #1200 Dallas, TX 75201**

**Asset: VAV SUPPLY**

Asset	Area Served	Type	Size	DESIGN CFM	Prelim CFM	FINAL CFM	% to design
V15-1	1281	A	8	200	169	204	1.02
V15-2	1281	A	8	200	163	216	1.08
V15-3	1281	A	8	200	196	219	1.10
V15-4	1281	A	8	200	128	186	0.93
V15-5	1281	A	8	200	182	220	1.10
V15-6	1281	A	8	200	150	188	0.94
<b>VAV12-15</b>				<b>1200</b>	<b>988</b>	<b>1233</b>	<b>1.03</b>
V16-1	1281	A	8	200	130	215	1.08
V16-2	1281	A	8	200	134	215	1.08
V16-3	1281	A	8	200	146	209	1.05
V16-4	1281	A	8	200	172	207	1.04
<b>VAV12-16</b>				<b>800</b>	<b>582</b>	<b>846</b>	<b>1.06</b>
V17-1	1211	A	8	200	61	180	0.90
V17-2	1211	A	8	200	177	209	1.05
V17-3	1233	A	6	50	220	64	[1]
V17-4	1211	A	8	200	223	220	1.10
V17-5	1211	A	8	200	179	194	0.97
<b>VAV12-17</b>				<b>850</b>	<b>860</b>	<b>867</b>	<b>1.02</b>
V18-1	1234	A	6	100	323	93	0.93
V18-2	1236	A	6	100	393	105	1.05
V18-3	1237	A	6	100	300	98	0.98
V18-4	1235	A	6	100	387	110	1.10
<b>VAV12-18</b>				<b>400</b>	<b>1403</b>	<b>406</b>	<b>1.02</b>

NOTES:

[1] DAMPER IS 100% CLOSED. UNABLE TO ACHIEVE DESIGN AIRFLOW.

# National TAB

**Project: OAP - Willowbridge**  
**Address: 1722 Routh Street, #1200 Dallas, TX 75201**

**Asset: VAV SUPPLY**

Asset	Area Served	Type	Size	DESIGN CFM	Prelim CFM	FINAL CFM	% to design
V19-1	1228	A	6	100	90	101	1.01
V19-2	1229	A	6	100	107	102	1.02
V19-3	1230	A	6	100	86	92	0.92
V19-4	1231	A	6	100	133	105	1.05
V19-5	1232	A	6	100	108	107	1.07
V19-6	1227	A	6	100	145	102	1.02
<b>VAV12-19</b>				<b>600</b>	<b>669</b>	<b>609</b>	<b>1.02</b>
V20-1	1251	A	8	205	264	201	0.98
<b>VAV12-20</b>				<b>205</b>	<b>264</b>	<b>201</b>	<b>0.98</b>
V21-1	1224	A	8	200	140	206	1.03
V21-2	1224	A	8	200	184	204	1.02
V21-3	1224	A	8	200	207	216	1.08
V21-4	1224	A	8	200	240	200	1.00
<b>VAV12-21</b>				<b>800</b>	<b>771</b>	<b>826</b>	<b>1.03</b>
V22-1	1224	A	8	200	41	198	0.99
V22-2	1224	A	8	200	264	207	1.04
V22-3	1224	A	8	200	268	209	1.05
V22-4	1224	A	8	200	85	218	1.09
V22-5	1224	A	8	200	274	199	1.00
V22-6	1224	A	8	200	230	199	1.00
<b>VAV12-22</b>				<b>1200</b>	<b>1162</b>	<b>1230</b>	<b>1.03</b>



# National TAB

**Project: OAP - Willowbridge**

**Address: 1722 Routh Street, #1200 Dallas, TX 75201**

**Asset: FPVAV SUPPLY**

Asset	Area Served	Type	Size	DESIGN CFM	Prelim CFM	FINAL CFM	% to design
F1-1	1223	LD	8	205	150	187	0.91
F1-2	1223	LD	8	205	167	207	1.01
F1-3	1222	LD	8	205	182	214	1.04
F1-4	1222	LD	8	205	170	210	1.02
F1-5	1221	LD	8	205	199	187	0.91
F1-6	1221	LD	8	205	179	198	0.97
<b>FP12-1</b>				<b>1230</b>	<b>1047</b>	<b>1203</b>	<b>0.98</b>
F2-1	1225	LD	8	175	162	162	0.93
F2-2	1225	LD	8	175	175	175	1.00
F2-3	1225	LD	8	175	182	182	1.04
F2-4	1225	LD	8	175	178	178	1.02
F2-5	1225	LD	8	175	167	167	0.95
F2-6	1225	LD	8	175	177	177	1.01
F2-7	1225	LD	8	175	173	173	0.99
<b>FP12-2</b>				<b>1225</b>	<b>1214</b>	<b>1214</b>	<b>0.99</b>
F3-1	1242	LD	8	210	163	200	0.95
F3-2	1242	LD	8	210	193	218	1.04
<b>FP12-3</b>				<b>420</b>	<b>356</b>	<b>418</b>	<b>1.00</b>
F4-1	1244	LD	8	210	210	196	0.93
F4-2	1244	LD	8	210	264	220	1.05
F4-3	1243	LD	8	210	250	218	1.04
F4-4	1243	LD	8	210	44	189	0.90
<b>FP12-4</b>				<b>840</b>	<b>768</b>	<b>823</b>	<b>0.98</b>
F5-1	1245	LD	8	210	112	211	1.00
F5-2	1245	LD	8	210	241	204	0.97
<b>FP12-5</b>				<b>420</b>	<b>353</b>	<b>415</b>	<b>0.99</b>

# National TAB

**Project: OAP - Willowbridge**  
**Address: 1722 Routh Street, #1200 Dallas, TX 75201**

**Asset: FPVAV SUPPLY**

Asset	Area Served	Type	Size	DESIGN CFM	Prelim CFM	FINAL CFM	% to design
F6-1	1248	C1	8	210	221	189	0.90
F6-2	1248	C1	8	210	205	210	1.00
F6-3	1248	C	8	210	330	221	1.05
F6-4	1248	C	8	210	273	211	1.00
F6-5	1248	C	8	210	241	201	0.96
F6-6	1248	C	8	210	220	206	0.98
<b>FP12-6</b>				<b>1260</b>	<b>1490</b>	<b>1238</b>	<b>0.98</b>
F7-1	1253	LD	8	210	185	189	0.90
F7-2	1253	LD	8	210	191	191	0.91
F7-3	1253	LD	8	210	199	190	0.90
F7-4	1253	LD	8	210	188	200	0.95
<b>FP12-7</b>				<b>840</b>	<b>763</b>	<b>770</b>	<b>0.92</b>
F8-1	1253	LD	8	210	184	211	1.00
F8-2	1253	LD	8	210	188	209	1.00
F8-3	1253	LD	8	210	182	209	1.00
F8-4	1253	LD	8	210	194	211	1.00
F8-5	1253	LD	8	210	182	189	0.90
F8-6	1253	LD	8	210	187	204	0.97
<b>FP12-8</b>				<b>1260</b>	<b>1117</b>	<b>1233</b>	<b>0.98</b>
F9-1	1254	LD	8	210	209	209	1.00
F9-2	1254	LD	8	210	156	194	0.92
F9-3	1261	LD	8	210	201	212	1.01
F9-4	1261	LD	8	210	225	207	0.99
F9-5	1262	LD	8	210	195	191	0.91
F9-6	1262	LD	8	210	220	215	1.02
<b>FP12-9</b>				<b>1260</b>	<b>1206</b>	<b>1228</b>	<b>0.97</b>

# National TAB

**Project: OAP - Willowbridge**  
**Address: 1722 Routh Street, #1200 Dallas, TX 75201**

**Asset: FPVAV SUPPLY**

Asset	Area Served	Type	Size	DESIGN CFM	Prelim CFM	FINAL CFM	% to design
F10-1	1266	LD	10	300	261	320	1.07
F10-2	1266	LD	10	300	277	277	0.92
<b>FP12-10</b>				<b>600</b>	<b>538</b>	<b>597</b>	<b>1.00</b>
F11-1	1265	LD	10	300	341	322	1.07
F11-2	1265	LD	10	300	241	289	0.96
F11-3	1264	LD	10	300	271	289	0.96
F11-4	1264	LD	10	300	292	297	0.99
<b>FP12-11</b>				<b>1200</b>	<b>1145</b>	<b>1197</b>	<b>1.00</b>
F12-1	1267	LD	10	300	313	294	0.98
F12-2	1267	LD	10	300	272	273	0.91
F12-3	1268	LD	10	300	336	306	1.02
F12-4	1268	LD	10	300	293	295	0.98
F12-5	1269	LD	10	300	309	319	1.06
F12-6	1269	LD	10	300	365	300	1.00
<b>FP12-12</b>				<b>1800</b>	<b>1888</b>	<b>1787</b>	<b>0.99</b>
F13-1	1270	LD	10	265	191	261	0.98
F13-2	1270	LD	10	265	223	287	1.08
F13-3	1270	LD	8	245	250	249	1.02
F13-4	1270	LD	8	245	262	246	1.00
<b>FP12-13</b>				<b>1020</b>	<b>926</b>	<b>1043</b>	<b>1.02</b>
F14-1	1273	LD	10	265	329	241	0.91
F14-2	1273	LD	10	265	276	282	1.06
F14-3	1272	LD	10	295	249	282	0.96
F14-4	1272	LD	10	295	250	288	0.98
F14-5	1271	LD	10	265	220	244	0.92
F14-6	1271	LD	10	265	264	284	1.07
<b>FP12-14</b>				<b>1650</b>	<b>1588</b>	<b>1621</b>	<b>0.98</b>

# National TAB

**Project: OAP - Willowbridge**  
**Address: 1722 Routh Street, #1200 Dallas, TX 75201**

**Asset: FPVAV SUPPLY**

Asset	Area Served	Type	Size	DESIGN CFM	Prelim CFM	FINAL CFM	% to design
F15-1	1277	LD	10	265	304	288	1.09
F15-2	1277	LD	10	265	277	238	0.90
F15-3	1276	LD	10	265	314	264	1.00
F15-4	1276	LD	10	265	268	263	0.99
F15-5	1275	LD	10	265	333	277	1.05
F15-6	1275	LD	10	265	318	288	1.09
F15-7	1274	LD	10	265	293	249	0.94
F15-8	1274	LD	10	265	210	261	0.98
<b>FP12-15</b>				<b>2120</b>	<b>2317</b>	<b>2128</b>	<b>1.00</b>
F16-1	1278	LD	10	265	278	248	0.94
F16-2	1278	LD	10	265	215	245	0.92
F16-3	1279	LD	10	265	282	282	1.06
F16-4	1279	LD	10	265	250	250	0.94
F16-5	1280	LD	10	265	258	258	0.97
F16-6	1280	LD	10	265	273	273	1.03
<b>FP12-16</b>				<b>1590</b>	<b>1556</b>	<b>1556</b>	<b>0.98</b>
F17-1	1207	LD	10	265	239	239	0.90
F17-2	1207	LD	10	265	279	279	1.05
F17-3	1208	LD	10	265	268	268	1.01
F17-4	1208	LD	10	265	284	284	1.07
F17-5	1209	LD	10	265	238	238	0.90
F17-6	1209	LD	10	265	264	264	1.00
F17-7	1210	LD	10	265	288	288	1.09
F17-8	1210	LD	10	265	276	276	1.04
<b>FP12-17</b>				<b>2120</b>	<b>2136</b>	<b>2136</b>	<b>1.01</b>

# National TAB

**Project: OAP - Willowbridge**  
**Address: 1722 Routh Street, #1200 Dallas, TX 75201**

**Asset: FPVAV SUPPLY**

Asset	Area Served	Type	Size	DESIGN CFM	Prelim CFM	FINAL CFM	% to design
F18-1	1220	LD	8	230	200	207	<b>0.90</b>
F18-2	1220	LD	8	230	169	220	<b>0.96</b>
F18-3	1220	LD	8	230	198	218	<b>0.95</b>
<b>FP12-18</b>				<b>690</b>	<b>567</b>	<b>645</b>	<b>0.93</b>
F19-1	1211	LD	8	240	193	240	1.00
F19-2	1211	LD	8	240	88	228	0.95
F19-3	1211	LD	8	240	224	253	1.05
F19-4	1211	LD	8	240	91	241	1.00
F19-5	1211	LD	8	240	167	225	0.94
F19-6	1211	LD	8	240	410	224	0.93
F19-7	1211	LD	8	240	323	261	1.09
<b>FP12-19</b>				<b>1680</b>	<b>1496</b>	<b>1672</b>	<b>1.00</b>
F20-1	1212	LD	10	265	221	262	0.99
F20-2	1212	LD	10	265	230	279	1.05
F20-3	1213	LD	10	265	282	258	0.97
F20-4	1213	LD	10	265	266	277	1.05
F20-5	1213	LD	10	265	282	262	0.99
<b>FP12-20</b>				<b>1325</b>	<b>1281</b>	<b>1338</b>	<b>1.01</b>
F21-1	1216	LD	10	270	273	262	0.97
F21-2	1216	LD	10	270	235	258	0.96
F21-3	1215	LD	10	270	245	274	1.01
F21-4	1215	LD	10	270	289	289	1.07
<b>FP12-21</b>				<b>1080</b>	<b>1042</b>	<b>1083</b>	<b>1.00</b>

# National TAB

**Project: OAP - Willowbridge**

**Address: 1722 Routh Street, #1200 Dallas, TX 75201**

**Asset: FPVAV SUPPLY**

Asset	Area Served	Type	Size	DESIGN CFM	Prelim CFM	FINAL CFM	% to design
F22-1	1217	LD	10	270	211	246	0.91
F22-2	1217	LD	10	270	258	284	1.05
F22-3	1218	LD	10	270	221	266	0.99
F22-4	1218	LD	10	270	271	266	0.99
F22-5	1219	LD	10	270	282	263	0.97
F22-6	1219	LD	10	270	273	253	0.94
<b>FP12-22</b>				<b>1620</b>	<b>1516</b>	<b>1578</b>	<b>0.97</b>
F23-1	1263	LD	8	215	122	196	0.91
F23-2	1263	LD	8	215	37	199	0.93
F23-3	1263	LD	8	215	193	198	0.92
F23-4	1263	LD	8	215	258	199	0.93
F23-5	1263	LD	8	215	145	223	1.04
F23-6	1263	LD	8	215	368	211	0.98
<b>FP12-23</b>				<b>1290</b>	<b>1123</b>	<b>1226</b>	<b>0.95</b>
F24-1	1203	C	10	265	236	249	0.94
F24-2	1203	C	10	265	256	290	1.09
F24-3	1203	D	6	100	51	98	0.98
F24-4	1203	C	10	265	292	276	1.04
F24-5	1203	C	10	265	198	278	1.05
<b>FP12-24</b>				<b>1160</b>	<b>1033</b>	<b>1191</b>	<b>1.03</b>
F25-1	214	LD	10	265	16	287	1.08
F25-2	214	LD	10	265	365	267	1.01
F25-3	214	LD	10	265	390	266	1.00
F25-4	214	LD	10	270	395	277	1.03
F25-5	214	LD	10	270	338	298	1.10
F25-6	214	LD	10	270	304	291	1.08
<b>FP12-25</b>				<b>1605</b>	<b>1808</b>	<b>1686</b>	<b>1.05</b>