



CONTACT: Joshua Everett (619) 349-8054 jevett@chipotleconstruction.com

CONSTRUCTION DOCUMENTS



9TH & HWY 101 CRESCENT CITY, CA 95531 STORE NO.: 04-670

ENERGY COMPLIANCE FORMS

M021

STATE OF CALIFORNIA CALIFORNIA ENERGY COMMISSION REPORT DATE: 2023.05.30 11:29:39 AM

Mechanical Systems

Table with columns: System Name, Fan Type, City, Component, Airflow, etc.

GENERATED DATE/TIME: Report Number: 2023.05.30 11:29:39 AM

COMPLIANCE: 2023.05.30 11:29:39 AM

Documentation Software: Energy Code A4. Compliance ID: 2023.05.30 11:29:39 AM

STATE OF CALIFORNIA CALIFORNIA ENERGY COMMISSION REPORT DATE: 2023.05.30 11:29:39 AM

Mechanical Systems

Table with columns: System Name, Fan Type, City, Component, Airflow, etc.

GENERATED DATE/TIME: Report Number: 2023.05.30 11:29:39 AM

COMPLIANCE: 2023.05.30 11:29:39 AM

Documentation Software: Energy Code A4. Compliance ID: 2023.05.30 11:29:39 AM

STATE OF CALIFORNIA CALIFORNIA ENERGY COMMISSION REPORT DATE: 2023.05.30 11:29:39 AM

Mechanical Systems

Table with columns: System Name, Fan Type, City, Component, Airflow, etc.

GENERATED DATE/TIME: Report Number: 2023.05.30 11:29:39 AM

COMPLIANCE: 2023.05.30 11:29:39 AM

Documentation Software: Energy Code A4. Compliance ID: 2023.05.30 11:29:39 AM

STATE OF CALIFORNIA CALIFORNIA ENERGY COMMISSION REPORT DATE: 2023.05.30 11:29:39 AM

Mechanical Systems

Table with columns: System Name, Fan Type, City, Component, Airflow, etc.

GENERATED DATE/TIME: Report Number: 2023.05.30 11:29:39 AM

COMPLIANCE: 2023.05.30 11:29:39 AM

Documentation Software: Energy Code A4. Compliance ID: 2023.05.30 11:29:39 AM

STATE OF CALIFORNIA CALIFORNIA ENERGY COMMISSION REPORT DATE: 2023.05.30 11:29:39 AM

Mechanical Systems

Table with columns: System Name, Fan Type, City, Component, Airflow, etc.

GENERATED DATE/TIME: Report Number: 2023.05.30 11:29:39 AM

COMPLIANCE: 2023.05.30 11:29:39 AM

Documentation Software: Energy Code A4. Compliance ID: 2023.05.30 11:29:39 AM

STATE OF CALIFORNIA CALIFORNIA ENERGY COMMISSION REPORT DATE: 2023.05.30 11:29:39 AM

Mechanical Systems

Table with columns: System Name, Fan Type, City, Component, Airflow, etc.

GENERATED DATE/TIME: Report Number: 2023.05.30 11:29:39 AM

COMPLIANCE: 2023.05.30 11:29:39 AM

Documentation Software: Energy Code A4. Compliance ID: 2023.05.30 11:29:39 AM

STATE OF CALIFORNIA CALIFORNIA ENERGY COMMISSION REPORT DATE: 2023.05.30 11:29:39 AM

Mechanical Systems

Table with columns: System Name, Fan Type, City, Component, Airflow, etc.

GENERATED DATE/TIME: Report Number: 2023.05.30 11:29:39 AM

COMPLIANCE: 2023.05.30 11:29:39 AM

Documentation Software: Energy Code A4. Compliance ID: 2023.05.30 11:29:39 AM

STATE OF CALIFORNIA CALIFORNIA ENERGY COMMISSION REPORT DATE: 2023.05.30 11:29:39 AM

Mechanical Systems

Table with columns: System Name, Fan Type, City, Component, Airflow, etc.

GENERATED DATE/TIME: Report Number: 2023.05.30 11:29:39 AM

COMPLIANCE: 2023.05.30 11:29:39 AM

Documentation Software: Energy Code A4. Compliance ID: 2023.05.30 11:29:39 AM

STATE OF CALIFORNIA CALIFORNIA ENERGY COMMISSION REPORT DATE: 2023.05.30 11:29:39 AM

Mechanical Systems

Table with columns: System Name, Fan Type, City, Component, Airflow, etc.

GENERATED DATE/TIME: Report Number: 2023.05.30 11:29:39 AM

COMPLIANCE: 2023.05.30 11:29:39 AM

Documentation Software: Energy Code A4. Compliance ID: 2023.05.30 11:29:39 AM

STATE OF CALIFORNIA CALIFORNIA ENERGY COMMISSION REPORT DATE: 2023.05.30 11:29:39 AM

Mechanical Systems

Table with columns: System Name, Fan Type, City, Component, Airflow, etc.

GENERATED DATE/TIME: Report Number: 2023.05.30 11:29:39 AM

COMPLIANCE: 2023.05.30 11:29:39 AM

Documentation Software: Energy Code A4. Compliance ID: 2023.05.30 11:29:39 AM

STATE OF CALIFORNIA CALIFORNIA ENERGY COMMISSION REPORT DATE: 2023.05.30 11:29:39 AM

Mechanical Systems

Table with columns: System Name, Fan Type, City, Component, Airflow, etc.

GENERATED DATE/TIME: Report Number: 2023.05.30 11:29:39 AM

COMPLIANCE: 2023.05.30 11:29:39 AM

Documentation Software: Energy Code A4. Compliance ID: 2023.05.30 11:29:39 AM

STATE OF CALIFORNIA CALIFORNIA ENERGY COMMISSION REPORT DATE: 2023.05.30 11:29:39 AM

Mechanical Systems

Table with columns: System Name, Fan Type, City, Component, Airflow, etc.

GENERATED DATE/TIME: Report Number: 2023.05.30 11:29:39 AM

COMPLIANCE: 2023.05.30 11:29:39 AM

Documentation Software: Energy Code A4. Compliance ID: 2023.05.30 11:29:39 AM



EFCO ENGINEERING, INC.
1508 BLACK TAIL LAKE
WORTHINGTON, OH 43085
www.efcoengineering.com

CONTACT: Joshua Everett
(614) 349-8054
jevett@efcoengineering.com

CONSTRUCTION DOCUMENTS

CONSTRUCTION DOCUMENTS
FOR THE INSTALLATION OF FIRE SUPPRESSION SYSTEMS
AND ALL SYSTEMS SHALL BE THE PROPERTY OF
EFCO ENGINEERING, INC. AND SHALL NOT BE REPRODUCED
OR USED FOR ANY OTHER PROJECT WITHOUT THE WRITTEN
CONSENT OF EFCO ENGINEERING, INC.



CHIPOTLE FIRE SUPPLY, INC.
1000 W. 10TH STREET
COLUMBUS, OH 43260
WWW.CHIPOTLEFIRE.COM

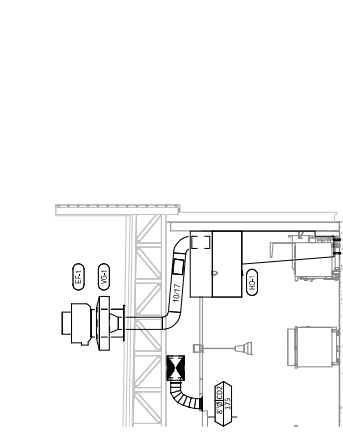
STORE NO.: 04-4670
9TH & HWY 101
895 L STREET
CRESCENT CITY, CA 95531

DATE: 06/26/2023
SHEET TITLE: HVAC DETAILS

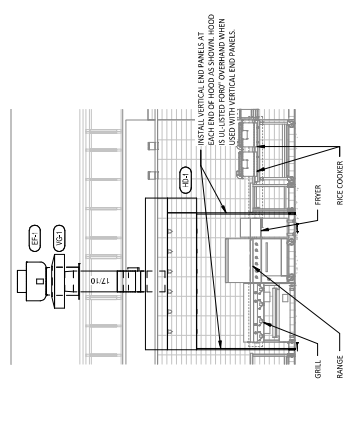
PROJECT:	ZSR021
DATE:	JAE
DESIGNER:	BRW
CHECKER:	JAE

CONTRACT: HVAC DETAILS

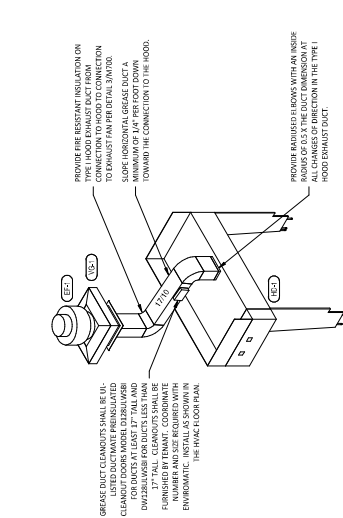
M700



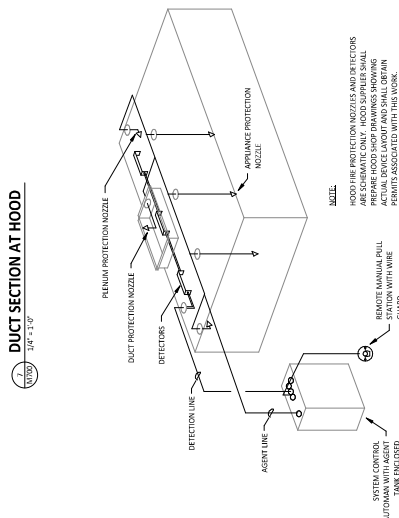
DUCT SECTION AT HOOD
1/4" = 1'-0"



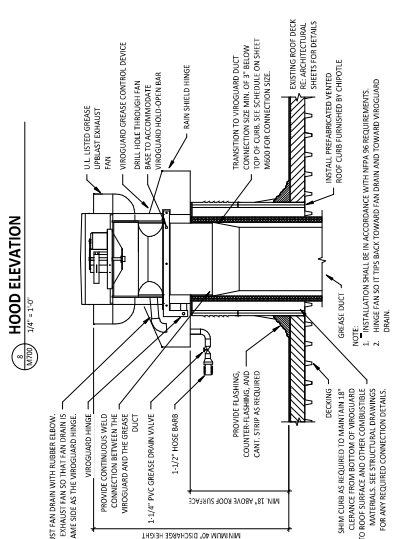
HOOD ELEVATION
1/4" = 1'-0"



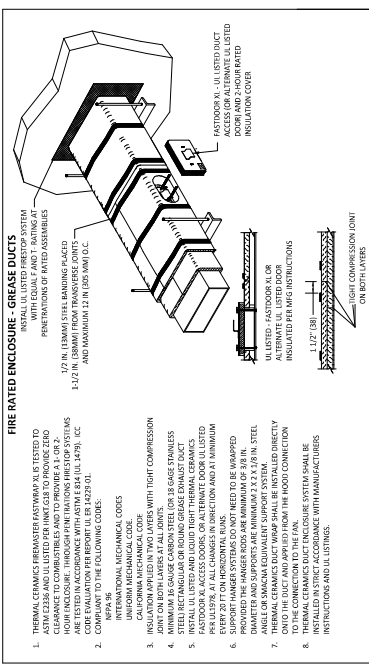
HOOD EXHAUST ISOMETRIC
NOT TO SCALE



FIRE SUPPRESSION SYSTEM SCHEMATIC
NOT TO SCALE

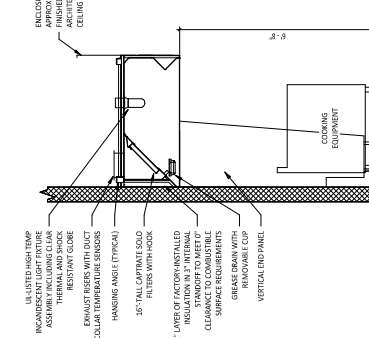


GREASE EXHAUST FAN
NOT TO SCALE

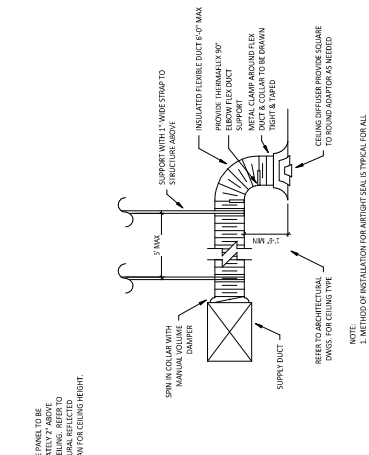


- FIRE RATED ENCLOSURE - GREASE DUCTS**
INSTALL UL LISTED PRESTOP SYSTEM WITH EQUAL FAN D - LISTING AT PRESTOP.COM
1. 3/2 IN (EMM) STEEL BANDING PLACED 12 IN (EMM) ON CENTER AND MINIMUM 12 IN (EMM) D.C.
2. COMPLIANT TO THE FOLLOWING CODES:
INTERNATIONAL MECHANICAL CODES
UNIFORM MECHANICAL CODE
3. INSULATION APPLIED IN TWO LAYERS WITH TIGHT COMPRESSION
JOIN ON BOTH SIDES AT ALL CORNERS
4. STEEL RECTANGULAR OR ROUND GREASE EXHAUST DUCT
5. FAN SHALL BE UL LISTED WITH TIGHT CORNER LISTED PER LISTING. AT ALL CHANGES IN DIRECTION AND AT MINIMUM 90 DEGREE ANGLES. SUPPORT FRAME SYSTEMS DO NOT NEED TO BE WRAPPED PROVIDED THE HANGER RODS ARE MINIMUM OF 1/2 IN. STEEL ANGLE OR ANCHOR BOLTS ARE MINIMUM OF 1/2 IN. STEEL
6. THERMAL CHAMICS DUCT WRAP SHALL BE INSTALLED DIRECTLY TO THE CONNECTION TO THE FAN.
7. THERMAL CHAMICS DUCT ENCLOSURE SYSTEM SHALL BE INSTALLED IN ACCORDANCE WITH MANUFACTURER'S INSTRUCTIONS AND LISTINGS.

FIREMASTER DUCT WRAP - UL HNK1-G18
NOT TO SCALE



HOOD SECTION VIEW
NOT TO SCALE



DIFFUSER CONNECTION
NOT TO SCALE

CONTRACT: HVAC DETAILS