

HOOD INFORMATION - JOB#5073021

HOOD NO	TAG	MODEL	MANUFACTURER	LENGTH	MAX COOKING TEMP	TYPE	APPLIANCE DUTY	DESIGN CFM/FT	TOTAL EXH CFM	EXHAUST PLENUM RISER(S)							TOTAL SUPPLY CFM	HOOD CONSTRUCTION	HOOD CONFIG	
										WIDTH	LENG	HEIGHT	DIA	CFM	VEL	SP			END TO END	ROW
1	HOOD 1	5412 ESX-2	ECON-AIR	11' 0"	600 DEG	I	HEAVY	206	2266			4'	14"	2266	2120	-0.660'	0	430 SS WHERE EXPOSED	ALONE	ALONE
2	PSP	166 MISC-PSP	ECON-AIR	11' 0"	300 DEG	I	N/A	0	0								1926	430 SS WHERE EXPOSED	ALONE	ALONE

HOOD INFORMATION

HOOD NO	TAG	FILTER(S)				LIGHT(S)			UTILITY CABINET(S)				FIRE SYSTEM PIPING	HOOD HANGING WEIGHT			
		TYPE	QTY	HEIGHT	LENGTH	EFFICIENCY @ 7 MICRONS	QTY	TYPE	WIRE GUARD	LOCATION	SIZE	TYPE			SIZE	ELECTRICAL MODEL #	SWITCHES QUANTITY
1	HOOD 1	SS BAFFLE WITH HANDLES	8	16'	16'	30%	5	L55 SERIES E26	NO	WALL MNT	12"x48"x24"	TANK FS	4.0/4.0	SC-211110MA	1 LIGHT 1 FAN	YES	464 LBS
2	PSP						0									NO	106 LBS

HOOD OPTIONS

HOOD NO	TAG	OPTION
1	HOOD 1	FIELD WRAPPER 5.00' HIGH FRONT, RIGHT. LEFT QUARTER END PANEL 27' TOP WIDTH, 0' BOTTOM WIDTH, 27' HIGH 430 SS. RIGHT VERTICAL END PANEL 27' TOP WIDTH, 21' BOTTOM WIDTH, 66' HIGH INSULATED 430 SS. SENSOR-CV.

PATENT NUMBERS

AC-PSP (UNITED STATES) - US PATENT 7963830 B2.
AC-PSP WALL (CANADA) - CA PATENT 2820509.
AC-PSP ISLAND (CANADA) - CA PATENT 2520330.
EXHAUST HOODS ND-2/BJ-2/SND-2 (CANADA) - CA PATENT 2520435 C.

PERFORATED SUPPLY PLENUM(S)

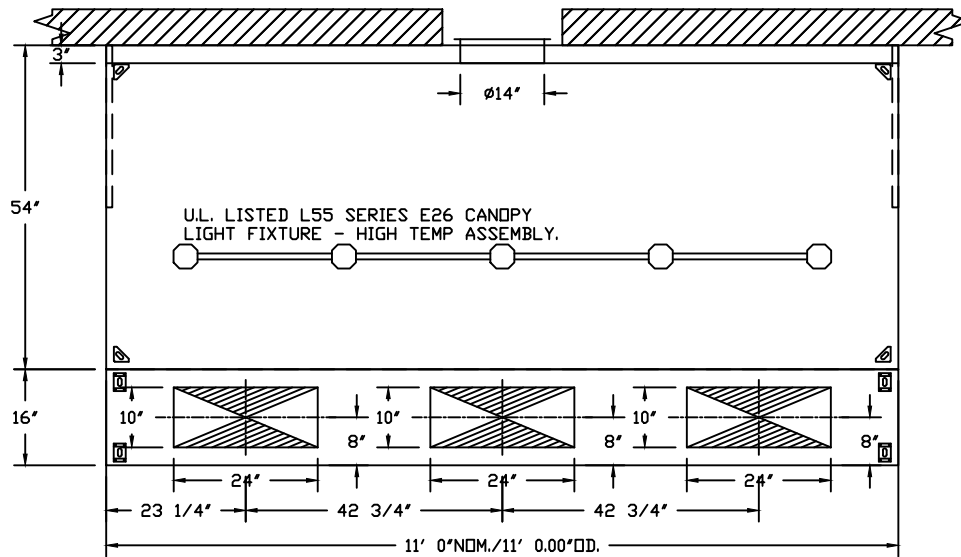
HOOD NO	TAG	POS	LENGTH	WIDTH	HEIGHT	TYPE	RISER(S)				
							WIDTH	LENG	DIA	CFM	SP
2	PSP	Front	132'	16'	6'	MUA	10"	24"	642	0.221'	
						MUA	10"	24"	642	0.221'	
						MUA	10"	24"	642	0.221'	

WALL-MOUNT UTILITY CABINET

HOOD NO	LOCATION	SIZE	UTILITY CABINET(S)				WEIGHT
			TYPE	SIZE	ELECTRICAL MODEL #	SWITCHES QUANTITY	
1	WALL MNT	12"x48"x24"	TANK FS	4.0/4.0	SC-211110MA	1 LIGHT 1 FAN	340.00 LBS



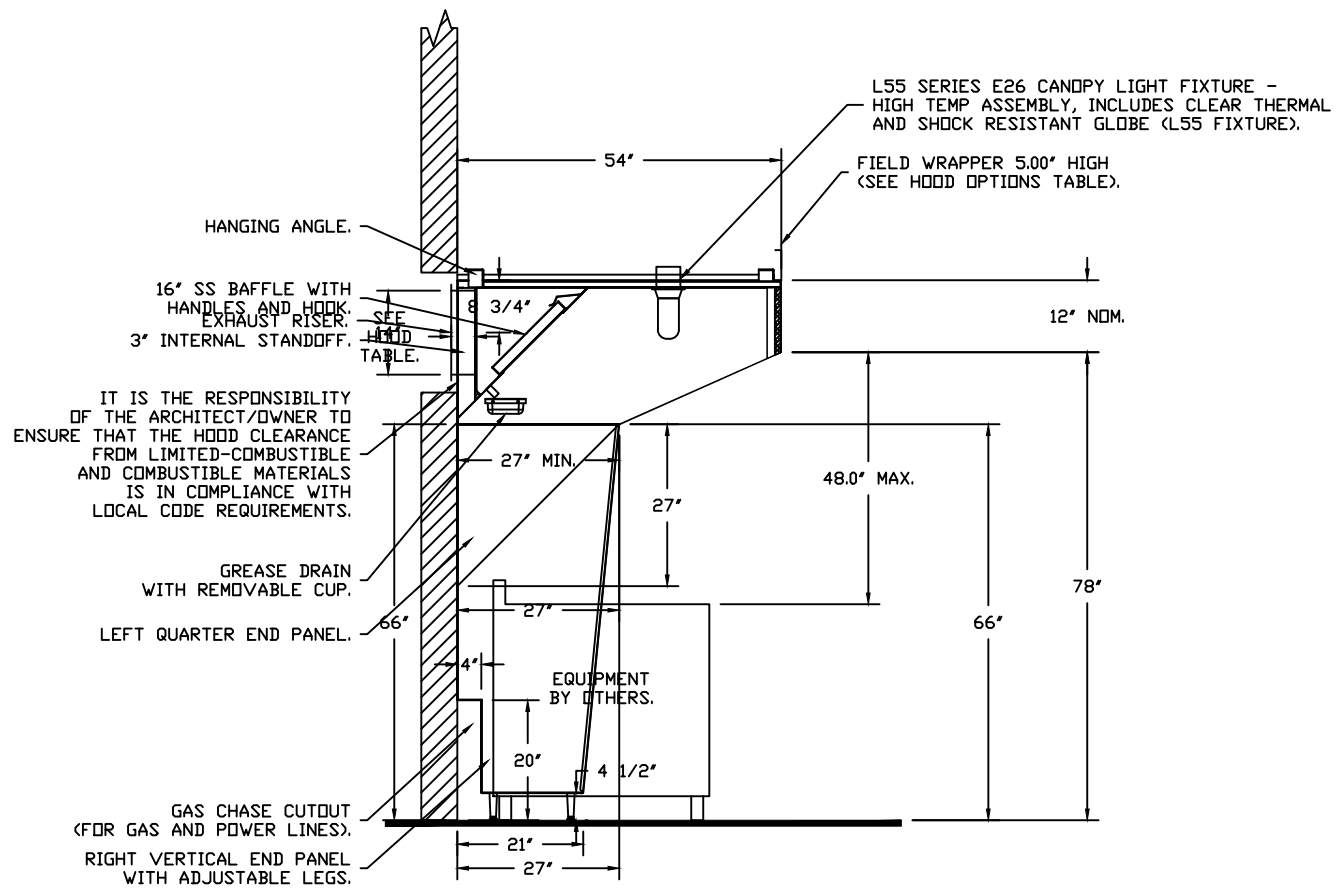
JOB Chimak LLC (Riverside Chicken)	
LOCATION Covington, KY, 41011	
DATE 2/16/2022	JOB # 5073021
DWG # 1	DRAWN BY jcirilli
REV.	SCALE 3/8" = 1'-0"



PLAN VIEW - HOOD #1 (HOOD 1)
 11' 0.00" LONG 5412ESX-2



JOB Chimak LLC (Riverside Chicken)	
LOCATION Covington, KY, 41011	
DATE 2/16/2022	JOB # 5073021
DWG # 2	DRAWN BY jcirilli
REV.	SCALE 3/8" = 1'-0"



**SECTION VIEW - MODEL 5412ESX-2
HOOD - #1 - 1 Rear Riser(s) (HOOD 1)**

RISER	A (HEIGHT/DIAMETER)	B (VERTICAL DIMENSION)
1	14	7.500

   	JOB Chimak LLC (Riverside Chicken)	
	LOCATION Covington, KY, 41011	
	DATE 2/16/2022	JOB # 5073021
	DWG # 3	DRAWN BY jcirilli
	REV.	SCALE 3/8" = 1'-0"

EXHAUST FAN INFORMATION - JOB#5073021

FAN UNIT NO	TAG	QTY	FAN UNIT MODEL #	MANUFACTURER	CFM	ESP	RPM	MOTOR ENCL	HP	BHP	PHASE	VOLT	FLA	DISCHARGE VELOCITY	WEIGHT (LBS)	SONES
1	KEF 1	1	EADU85H	ECON-AIR	2266	0.850	1480	TEAD-ECM	1.000	0.5720	1	230	6.5	717 FPM	93	16.5

MUA FAN INFORMATION - JOB#5073021

FAN UNIT NO	TAG	QTY	FAN UNIT MODEL #	BLOWER	HOUSING	MIN CFM	DESIGN CFM	ESP	RPM	MOTOR ENCL	HP	BHP	PHASE	VOLT	FLA	MCA	MDCP	WEIGHT (LBS)	SONES
2	KMUA	1	EAI-D.500-15D	15MF-1-MDD	A1-D.500	1000	1800	0.050	1679	TEAD-ECM	1.000	0.7660	1	230	6.5	8.2A	15A	465	15.6

GAS FIRED MAKE-UP AIR UNIT(S)

FAN UNIT NO	TAG	INPUT BTUs	OUTPUT BTUs	TEMP RISE	REQUIRED INPUT GAS PRESSURE	GAS TYPE	BURNER EFFICIENCY(%)
2	KMUA	132328	121742	65°F	7 IN. W.C. - 14 IN. W.C.	NATURAL	92

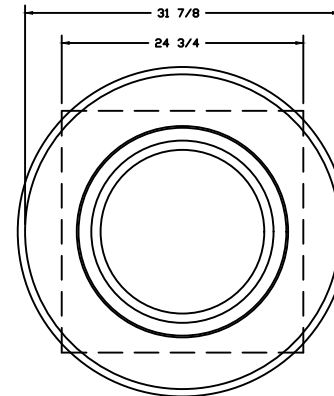
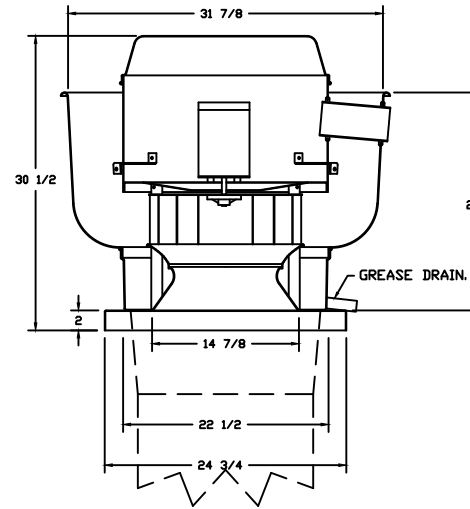
FAN #1 EADU85H - EXHAUST FAN (KEF 1)

FAN OPTIONS

FAN UNIT NO	TAG	QTY	DESCRIPTION
1	KEF 1	1	GREASE BOX
		1	ECM WIRING PACKAGE - PWM SIGNAL FROM ECPM03 PREWIRE (TELCO MOTOR), CCW ROTATION
		1	UPBLAST FAN WHEEL ACCESS PORT
		1	WALL MOUNT CONSTRUCTION FOR FAN
		1	2 YEAR PARTS WARRANTY
2	KMUA	1	INLET PRESSURE GAUGE, 0-35"
		1	MANIFOLD PRESSURE GAUGE, -5 TO 15" WC
		1	MOTORIZED BACKDRAFT DAMPER FOR A1-D HOUSING - MEETS AMCA CLASS 1A RATING
		1	ECM WIRING PACKAGE - DD SUPPLY - PWM SIGNAL FROM ECPM03 PREWIRE (TELCO MOTOR)
		1	LDW FIRE START
1	2 YEAR PARTS WARRANTY		

FAN ACCESSORIES

FAN UNIT NO	TAG	EXHAUST			SUPPLY			
		GREASE CUP	GRAVITY DAMPER	WALL MOUNT	SIDE DISCHARGE	GRAVITY DAMPER	MOTORIZED DAMPER	WALL MOUNT
1	KEF 1	YES						
2	KMUA				YES		YES	



TOP VIEW

FEATURES:

- DIRECT DRIVE CONSTRUCTION (NO BELTS/PULLEYS).
- ROOF MOUNTED FANS.
- RESTAURANT MODEL.
- UL705 AND UL762 AND ULC-S645
- VARIABLE SPEED CONTROL.
- INTERNAL WIRING.
- THERMAL OVERLOAD PROTECTION (SINGLE PHASE).
- HIGH HEAT OPERATION 300°F (149°C).
- GREASE CLASSIFICATION TESTING.
- NEMA 3R SAFETY DISCONNECT SWITCH.

NORMAL TEMPERATURE TEST

EXHAUST FAN MUST OPERATE CONTINUOUSLY WHILE EXHAUSTING AIR AT 300°F (149°C) UNTIL ALL FAN PARTS HAVE REACHED THERMAL EQUILIBRIUM, AND WITHOUT ANY DETERIORATING EFFECTS TO THE FAN WHICH WOULD CAUSE UNSAFE OPERATION.

ABNORMAL FLARE-UP TEST

EXHAUST FAN MUST OPERATE CONTINUOUSLY WHILE EXHAUSTING BURNING GREASE VAPORS AT 600°F (316°C) FOR A PERIOD OF 15 MINUTES WITHOUT THE FAN BECOMING DAMAGED TO ANY EXTENT THAT COULD CAUSE AN UNSAFE CONDITION.

OPTIONS

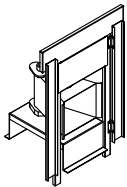
GREASE BOX.
ECM WIRING PACKAGE - PWM SIGNAL FROM ECPM03 PREWIRE (TELCO MOTOR), CCW ROTATION.
UPBLAST FAN WHEEL ACCESS PORT.
WALL MOUNT CONSTRUCTION FOR FAN.
2 YEAR PARTS WARRANTY.



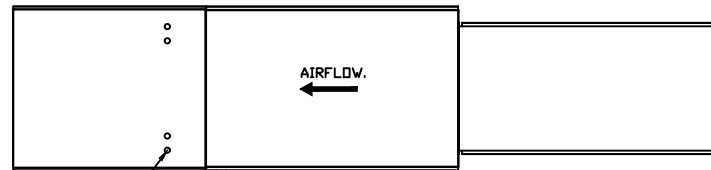
JOB Chimak LLC (Riverside Chicken)	
LOCATION Covington, KY, 41011	
DATE 2/16/2022	JOB # 5073021
DWG # 4	DRAWN BY jcirilli
REV.	SCALE 3/8" = 1'-0"

SUPPLY SIDE HEATER INFORMATION:

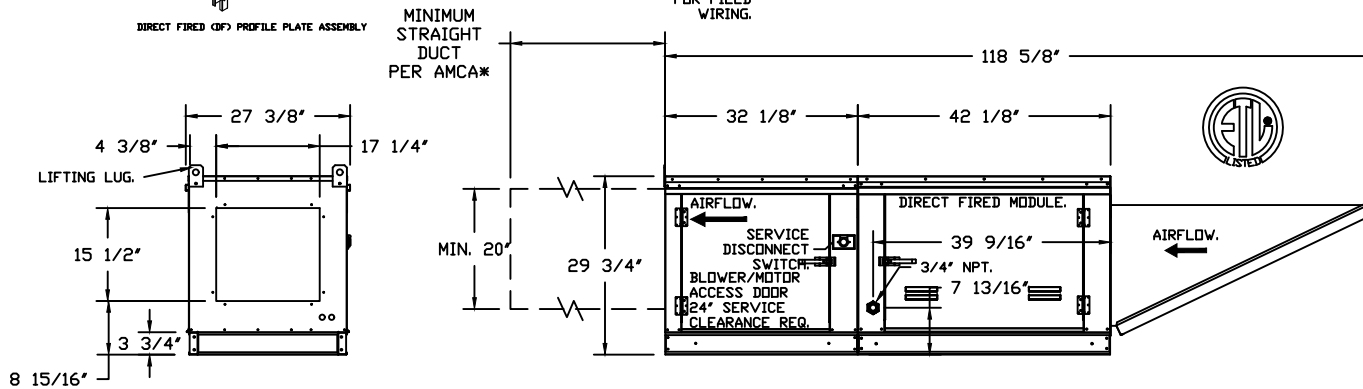
WINTER TEMPERATURE = 10°F. TEMP. RISE = 65°F.
 BTUs CALCULATED OFF ACTUAL AIR DENSITY.
 OUTPUT BTUs AT ALTITUDE OF 0.0 FT. = 124996.
 INPUT BTUs AT ALTITUDE OF 0.0 FT. = 135865.
 OUTPUT BTUs AT ALTITUDE OF 728 FT. = 121742.
 INPUT BTUs AT ALTITUDE OF 728 FT. = 132329.



DIRECT FIRED (DF) PROFILE PLATE ASSEMBLY



FLEX CONDUIT FOR FIELD WIRING.



- FAN #2 EA1-D500-15D - HEATER (KMUA)
1. DIRECT GAS FIRED HEATED MAKE UP AIR UNIT WITH 15' MIXED FLOW DIRECT DRIVE FAN.
 2. INTAKE HOOD WITH EZ FILTERS.
 3. SIDE DISCHARGE - AIR FLOW RIGHT -> LEFT.
 4. GAS PRESSURE GAUGE, 0-35", 2.5" DIAMETER, 1/4" THREAD SIZE.
 5. GAS PRESSURE GAUGE, -5 TO +15 INCHES WC., 2.5" DIAMETER, 1/4" THREAD SIZE.
 6. MOTORIZED BACK DRAFT DAMPER 16" X 18" FOR SIZE 1 STANDARD & MODULAR HEATER UNITS W/EXTENDED SHAFT, STANDARD GALVANIZED CONSTRUCTION, 3/4" REAR FLANGE, LOW LEAKAGE, TFB120S ACTUATOR INCLUDED.
 7. ECM WIRING PACKAGE FOR SUPPLY MOTORS WITH PWM SIGNAL FROM ECPM03 PREWIRE.
 8. LOW FIRE START. ALLOWS THE BURNER CIRCUIT TO ENERGIZE WHEN THE MODULATION CONTROL IS IN A LOW FIRE POSITION.
 9. HINGED DOUBLE WALL INSULATED DOOR ASSEMBLY (BURNER/BLOWER SECTION).
 10. 2 YEAR PARTS WARRANTY

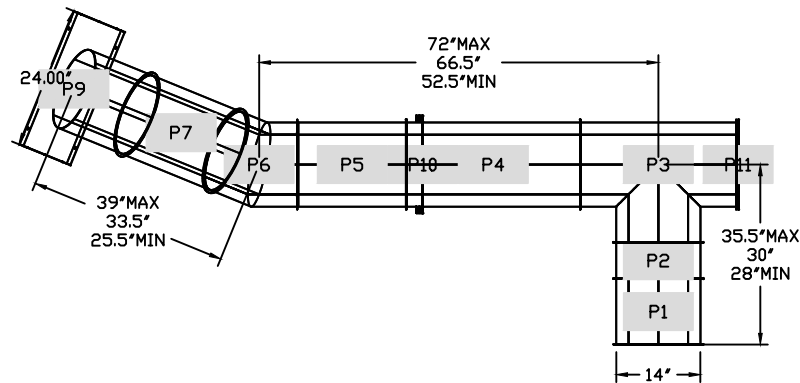
*NOTE: SUPPLY DUCT MUST BE INSTALLED TO MEET SMACNA STANDARDS. A MINIMUM STRAIGHT DUCT LENGTH MUST BE MAINTAINED DOWNSTREAM OF UNIT DISCHARGE AS OUTLINED IN AMCA PUBLICATION 201. WHEN USING RECTANGULAR DUCTWORK, ELBOWS MUST BE RADIUS THROAT, RADIUS BACK WITH TURNING VANES. FLEXIBLE DUCTWORK AND SQUARE THROAT/SQUARE BACK ELBOWS SHOULD NOT BE USED. ANY TRANSITION AND/OR TURNS IN THE DUCTWORK WILL CAUSE SYSTEM EFFECT. SYSTEM EFFECT WILL DRASTICALLY INCREASE STATIC PRESSURE AND REDUCE AIRFLOW. DO NOT RELY ON UNIT TO SUPPORT DUCT IN ANY WAY. FAILURE TO PROPERLY SIZE DUCTWORK MAY CAUSE SYSTEM EFFECTS AND REDUCE PERFORMANCE OF THE EQUIPMENT. SUGGESTED STRAIGHT DUCT SIZE IS 20" x 20".

	CAPTIVEAIRE		JOB Chimak LLC (Riverside Chicken)	
			LOCATION Covington, KY, 41011	
			DATE 2/16/2022	JOB # 5073021
			DWG # 5	DRAWN BY jcirilli
			REV.	SCALE 3/8" = 1'-0"

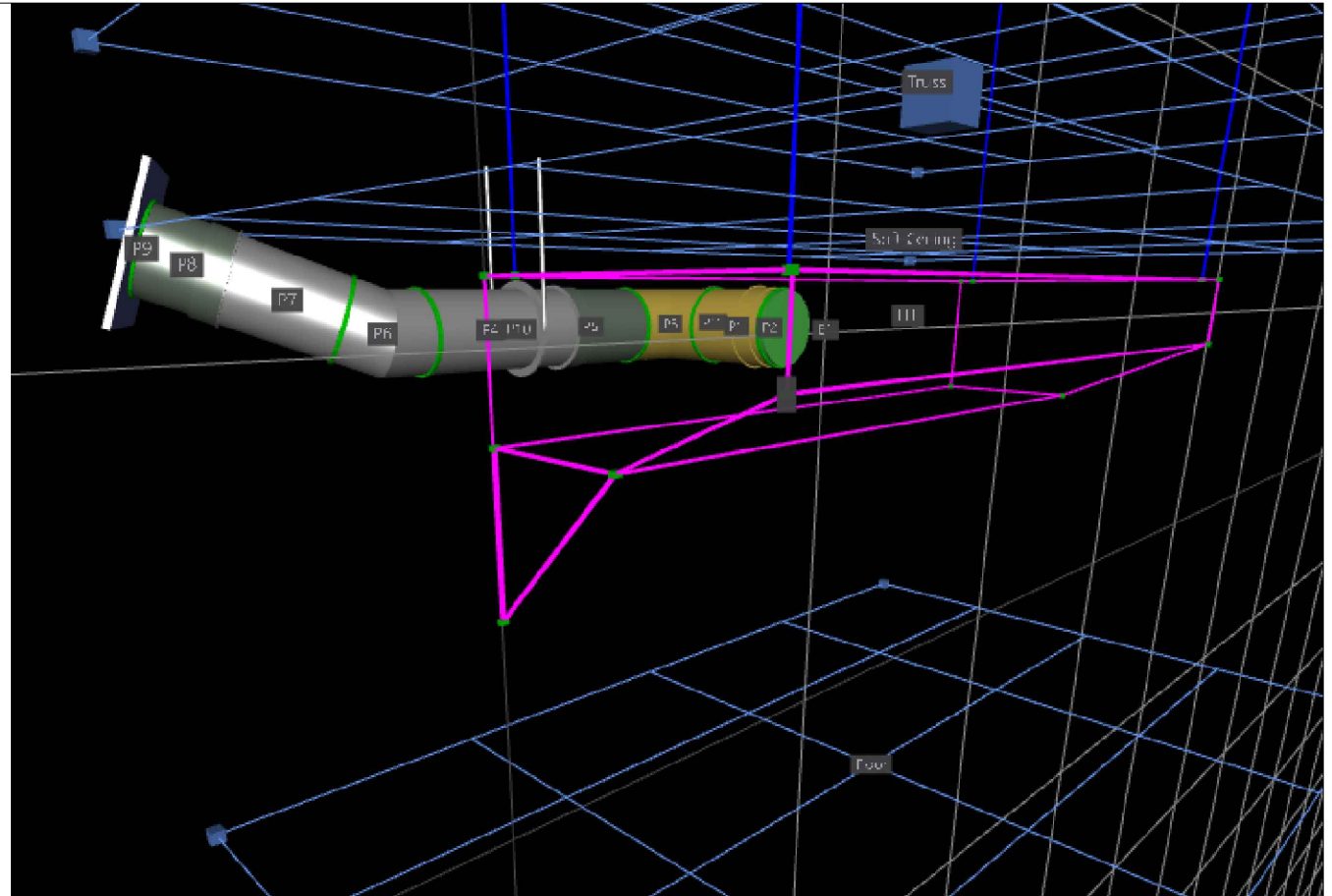
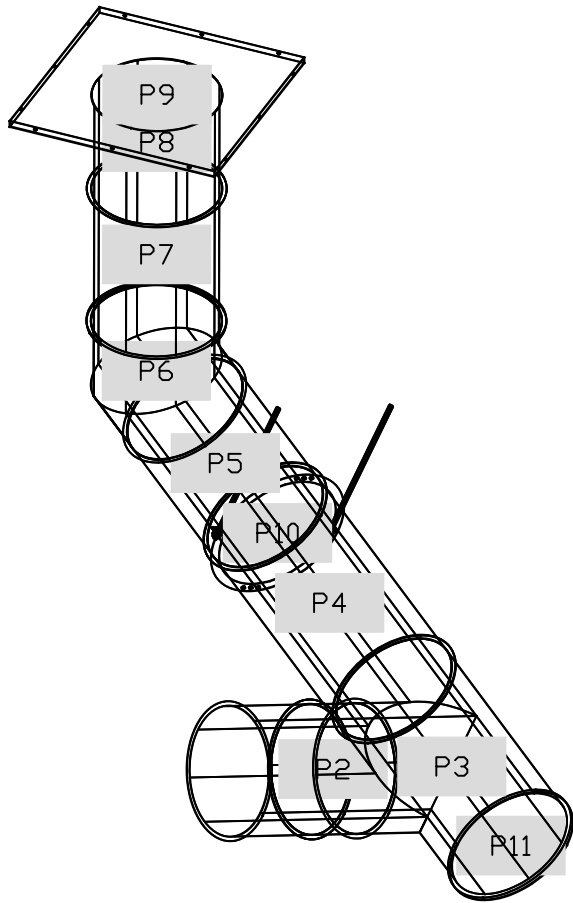
DUCTWORK #1 PARTS - JOB#5073021 DUCT RUN

TAG	PART #	CFM	GPM	ZONE	COVEREDBY	SP	WEIGHT	VELOCITY	QTY	DESCRIPTION
P1	DW1411LT	2266				-0.0071	5.46	2119.71	1	SINGLE WALL DUCT 14" DIAMETER, 11' LONG, FLANGE AT BOTH ENDS. STAINLESS STEEL.
P2	DW1418AJDKIT	2266				-0.0039	11.56	2119.71	1	SINGLE WALL DUCT ADJUSTABLE, 14" DIAMETER, 17.5' LONG, FLANGE AT ONE END WITH A 14" ADJUSTABLE COLLAR - STAINLESS STEEL.
P3 ASSEMBLED W/P11	DW14TEASY	2266		1		-0.1935	15.95	2119.71	1	SINGLE WALL DUCT TEE, 14" DUCT, ASSEMBLY.
P4	DW1429LT	2266				-0.0191	13.62	2119.71	1	SINGLE WALL DUCT 14" DIAMETER, 29' LONG, FLANGE AT BOTH ENDS. STAINLESS STEEL.
P5	DW1430AJDKIT	2266				-0.0119	17.56	2119.71	1	SINGLE WALL DUCT ADJUSTABLE, 14" DIAMETER, 29.5' LONG, FLANGE AT ONE END WITH A 14" ADJUSTABLE COLLAR - STAINLESS STEEL.
P6	DW1430ASY	2266				-0.0829	6.28	2119.71	1	SINGLE WALL DUCT 30 DEGREE ELBOW, 14" DUCT, ASSEMBLY.
P7	DW1417LT	2266				-0.0111	8.22	2119.71	1	SINGLE WALL DUCT 14" DIAMETER, 17' LONG, FLANGE AT BOTH ENDS. STAINLESS STEEL.
P8 ASSEMBLED W/P9	DW1424AJDKIT	2266				-0.0079	14.56	2119.71	1	SINGLE WALL DUCT ADJUSTABLE, 14" DIAMETER, 23.5' LONG, FLANGE AT ONE END WITH A 14" ADJUSTABLE COLLAR - STAINLESS STEEL.
P9 ASSEMBLED W/P8	DW23514TPDBEX	2266					8.00	2119.71	1	DUCT TO CURB TRANSITION 3/4" DOWN TURN, 23.50' CURB TO 14" DUCT, 16 GA ALUMINIZED. USED ON BDU15 AND DU85. TRANSITION PLATE DD IS 23.5" DESIGNED FOR USE WITH EXHAUST FAN. NON-STANDARD PART.
SYSTEM AT P9						-0.9974	0.00			
P10	DW14SUBBRASY						2.96		1	DUCT SUPPORT BRACKET KIT, 14" DUCT, USED FOR HANGING DUCT. 12 GA STEEL, CLEAR ZINC COATING. - 2 RINGS, 4 BRACKETS, & HARDWARE BAG 2.
P11 ASSEMBLED W/P3 & S	DW1415ADKIT						3.72		1	DUCT ACCESS DOOR WITH HANDLE & GREASE DAM, FOR 14" DUCT USE 15" DOOR. STAINLESS STEEL.
	3M-2000PLUS						0.80		1	DUCT - 3M FIRE BARRIER 2000 PLUS SILICONE - USED AS SEALANT TO SEAL DUCT JOINTS.
	3M-2000PLUS						0.80		1	DUCT - 3M FIRE BARRIER 2000 PLUS SILICONE - USED AS SEALANT TO SEAL DUCT JOINTS.
	3M-2000PLUS						0.80		1	DUCT - 3M FIRE BARRIER 2000 PLUS SILICONE - USED AS SEALANT TO SEAL DUCT JOINTS.
	DW14CLASY						1.06		9	DUCT "V" CLAMP WITH NEW DESIGN 14 GA BRACKETS, 14" DUCT, ASSEMBLY.
ADDITIONAL PARTS										
brkt2	DW14SUBBRASY						2.96		1	DUCT SUPPORT BRACKET KIT, 14" DUCT, USED FOR HANGING DUCT. 12 GA STEEL, CLEAR ZINC COATING. - 2 RINGS, 4 BRACKETS, & HARDWARE BAG 2.
dw1445	DW1445ASY-V						7.22		1	SINGLE WALL VENT 45 DEGREE ELBOW, 14" VENT, ASSEMBLY. STAINLESS STEEL.
TOTAL WEIGHT							130.01			

DUCTWORK #1 TOP VIEW
DUCT RUN



JOB Chimak LLC (Riverside Chicken)	
LOCATION Covington, KY, 41011	
DATE 2/16/2022	JOB # 5073021
DWG # 6	DRAWN BY jcirilli
REV.	SCALE 3/8" = 1'-0"



CAPTIVEAIRE

JOB Chimak LLC (Riverside Chicken)	
LOCATION Covington, KY, 41011	
DATE 2/16/2022	JOB # 5073021
DWG # 7	DRAWN BY jcirilli
REV.	SCALE 3/8" = 1'-0"