

DIVISION 15 SPECIFICATIONS

PART I - GENERAL

1.01 SCOPE

- A. IT IS THE RESPONSIBILITY OF CONTRACTOR TO READ ALL SPECIFICATIONS AND CONSULT ALL DRAWINGS WHICH MAY AFFECT THE INSTALLATION AND COORDINATION OF WORK WITH OTHER TRADES. CONTRACTOR SHALL COORDINATE AND MAKE MINOR ADJUSTMENTS IN LOCATION OF EQUIPMENT AND MATERIALS AS NECESSARY FOR COORDINATION.
- B. COMPLETED INSTALLATION SHALL CONFORM TO ALL APPLICABLE FEDERAL, STATE AND LOCAL CODES AND ORDINANCES.
- C. SYSTEM LAYOUT IS SCHEMATIC AND EXACT LOCATIONS SHALL BE DETERMINED BY STRUCTURAL CONDITIONS, COORDINATION WITH OTHER TRADES, COORDINATION WITH FINISHES AND OTHER CONDITIONS. STRUCTURAL SUPPORTS SHALL NOT BE CUT OR ALTERED TO ASSURE FIT OF HVAC SYSTEM. TEN FOOT CLEARANCE SHALL BE MAINTAINED BETWEEN OUTSIDE AIR INTAKES AND EXHAUST FANS AND PLUMBING VENT TERMINALS.
- D. CONTRACTOR SHALL BE RESPONSIBLE FOR ALL DEFECTS, REPAIRS AND REPLACEMENTS IN MATERIALS AND WORKMANSHIP FOR A PERIOD OF ONE (1) YEAR AFTER FINAL PAYMENT IS APPROVED. CONTRACTOR SHALL HONOR FACTORY WARRANTIES ON ALL EQUIPMENT PROVIDED AS PART OF THIS SYSTEM.
- E. UPON COMPLETION OF PROJECT, ALL SYSTEM EQUIPMENT AND MATERIALS SHALL BE IN NEW, CLEAN CONDITION WITH ALL DAMAGE RESTORED TO CONDITION ACCEPTABLE TO THE OWNERS REPRESENTATIVE. ALL EQUIPMENT, COMPONENTS, DUCTWORK AND AIR DEVICES SHALL BE INSPECTED AND THOROUGHLY CLEANED, CLEARED OF DEBRIS, AND READY FOR USE. AT COMPLETION OF JOB, ALL MISCELLANEOUS TOOLS, SCAFFOLDING, SURPLUS MATERIALS, RUBBISH AND DEBRIS SHALL BE REMOVED BY CONTRACTOR.
- F. CONTRACTOR SHALL PROVIDE TWO SETS OF 2" MERV 8 OR HIGHER THROW AWAY TYPE FILTERS. A CLEAN SET SHALL BE PROVIDED PRIOR TO TEST AND BALANCE AND AGAIN PRIOR TO OPENING.

PART II - PRODUCTS

2.01 HEATING AND COOLING EQUIPMENT

- A. FURNISH AND INSTALL R-410A ROOFTOP SINGLE PACKAGE COMBINATION ELECTRIC COOLING AND NATURAL GAS FIRED HEATING UNITS AS SHOWN ON DRAWINGS. EQUIPMENT SHALL BE ARI CERTIFIED AND A.G.A. AND U.L. LISTED.
- B. ACCESSORIES SHALL INCLUDE LOW AND HIGH PRESSURE SAFETIES, CRANK CASE HEATER, OVERCURRENT AND OVERTEMPERATURE SAFETY, COMPRESSOR VIBRATION ISOLATORS, FILTER DRIERS, REFRIGERANT SERVICE VALVES, COIL HAIL GUARDS WHERE SCHEDULED, CONVENIENCE OUTLETS FACTORY INSTALLED ON SCHEDULED UNITS, UNIT MOUNTED NON-FUSED DISCONNECTS, LOW AMBIENT OPERATION DOWN TO 30 DEGREES F AND EVAPORATOR FREEZE STAT.
- C. COMPRESSORS SHALL BE HERMETIC SCROLL TYPE WITH INTERNAL VIBRATION ISOLATORS. COMPRESSORS SHALL BE PROVIDED WITH A MINIMUM FIVE (5) YEAR FULL WARRANTY.
- D. THE UNIT HEAT EXCHANGERS SHALL BE ALUMINIZED STEEL COATING. HEATING CONTROLS SHALL CONSIST OF REDUNDANT GAS VALVES, INTERMITTENT PILOT WITH ELECTRONIC SPARK OR HOT PLATE IGNITION SYSTEM, COMBUSTION/EXHAUST FAN PROTECTED BY CENTRIFUGAL SWITCHES, HEAT LIMIT SWITCHES, TIME-DELAY RELAY, FLAME, AND PILOT SENSORS. HEAT EXCHANGERS SHALL HAVE A TEN (10) YEAR WARRANTY. BURNERS SHALL BE IN-SHOT TYPE. THE DRAFT MOTOR SHALL BE MONITORED BY THE CONTROL SYSTEM.

2.02 DUCTWORK (C15735)

- A. ACCEPTABLE MANUFACTURERS OF INSULATION SHALL BE: JOHNS MANVILLE, OWENS CORNING OR KNAUF.
- B. ALL DUCTWORK SHALL BE SHEET METAL, UNLESS NOTED OTHERWISE (U.N.O.).
- C. DUCT DIMENSIONS SHOWN ARE INSIDE CLEAR DIMENSIONS, U.N.O.
- D. CONSTRUCTION OF DUCTWORK SHALL MEET SMACNA 1" W.C. PRESSURE CLASS STANDARD AND RECOMMENDATIONS. SMACNA SHALL BE FOLLOWED WITH RESPECT TO GAGE THICKNESS, JOINTS, REINFORCING, CONSTRUCTION, INSTALLATION AND SUPPORT FOR PRESSURE CLASS STATED. ALL TRANSVERSE JOINTS IN RECTANGULAR AND ROUND DUCT INCLUDING DUCT CONNECTION TO AIR DEVICE COLLAR SHALL BE SEALED PER SMACNA SEAL CLASS C WITH U.L. DUCT MASTIC SEALANT APPROVED FOR INTENDED USE. DUCT TAPE IS NOT AN ACCEPTABLE SUBSTITUTE FOR MASTIC UNLESS EQUAL TO HARDCAST FOIL-GRIP 1402 BUTYL RUBBER ADHESIVE TAPE.
- E. DUCT SHALL BE SUPPORTED AT BASE OF DUCT DROPS. CURB DUCT RAILS ARE NOT INTENDED TO AND SHALL NOT SUPPORT THE WEIGHT OF THE DUCT.
- F. ALL DUCT WRAP SHALL BE MINIMUM 2" THICK, 3/4 PCF AND 6 R-VALUE INSTALLED WITH EITHER A VAPOR BARRIER WITH MAXIMUM PERMEANCE 0.05 OR A MINIMUM 2 MIL ALUMINUM REINFORCED FOIL/KRAFT FACING.
- G. ALL DUCT DROPS FROM THE ROOFTOP UNITS SHALL BE EXTERNALLY INSULATED.
- H. SUPPLY AND RETURN AIR DUCTWORK SERVING ALL AREAS SHALL BE EXTERNALLY INSULATED.
- I. ALL AIR CONVEYANCE COMPONENTS SUCH AS, BUT NOT LIMITED TO DUCT, DUCT PLENUMS, GRILLES/DIFFUSERS, BACK PANS, AND BOOTS SHALL BE INSULATED. INSULATION TYPE IS COVERED ELSEWHERE IN THIS SPECIFICATION.
- J. RESTROOM RECTANGULAR EXHAUST AIR DUCTWORK SHALL BE LINED WITH 1" THICK, 1-1/2 PCF INSULATION. RESTROOM ROUND EXHAUST DUCT SHALL BE EXTERNALLY INSULATED PER SECTION 2.02F.
- K. DUCT DROPS SHALL BE ISOLATED FROM UNIT VIBRATION WITH THE USE OF NFPA AND U.L. APPROVED FLEXIBLE CONNECTORS INSTALLED AT THE TOP OF BOTH SUPPLY AND RETURN DROPS.
- L. INSULATED FLEXIBLE DUCT MAY BE UTILIZED FOR RUNOUTS TO GRILLES AND DIFFUSERS ONLY IN THE HORIZONTAL POSITION AND IN MAXIMUM LENGTHS OF 4'-0", NO EXCEPTIONS.
- M. CONSTRUCTION OF FLEXIBLE DUCTWORK SHALL INCLUDE SPIRAL METAL HELIX BONDED TO A POLYESTER CORE, FIBERGLASS INSULATION WITH POLYETHYLENE OR MYLAR VAPOR BARRIER. ALL COMPONENTS SHALL HAVE APPROPRIATE U.L. APPROVAL AND SHALL BE EQUIVALENT TO THERMAFLEX MKE. FLEX DUCT SHALL HAVE A MINIMUM R-VALUE OF 6.
- N. FLEXIBLE DUCT SHALL BE INSTALLED PER THE "ADC FLEXIBLE DUCT PERFORMANCE AND INSTALLATION STANDARDS, 4TH ED" USING FOIL TAPE AND DRAWBAND ON THE INNER CORE AND TAPE OR DRAWBAND ON THE OUTER JACKET.
- O. DUCT TAPE SHALL BE EQUAL TO FASSON 181-B FX, 2-1/2" WIDE.
- P. SINGLE THICKNESS TURNING VANES SHALL BE INSTALLED AT ALL 90 DEGREE ELBOWS WHERE THE CENTERLINE RADIUS (R) IS LESS THAN THE WIDTH OF THE DUCT AND ANY ONE DIMENSION IS GREATER THAN 12".
- Q. EXTERNAL INSULATION ON BOTTOM OF DUCTS 24" OR WIDER SHALL BE SUPPORTED WITH STICK PINS ON 18" CENTERS. STICK PIN WASHERS SHALL BE COVERED WITH DUCT TAPE OR MASTIC.

2.03 CONTROLS

- A. SYSTEMS SHALL BE COMPLETE WITH CONNECTIONS TO CFA-500 TEMPERATURE CONTROL PANEL AS MANUFACTURED BY SUNCOAST ENVIRONMENTAL CONTROLS (S.E.C.) (PH: 877-544-6679). THE PANEL IS PROVIDED AND MOUNTED BY THE ELECTRICAL CONTRACTOR. CONTROL WIRING TERMINATIONS ARE BY THE MECHANICAL CONTRACTOR WHERE PERMITTED BY AHJ.
- B. THE SMOKE DETECTORS SHALL BE FACTORY INSTALLED AND WIRED BY THE ROOFTOP UNIT MANUFACTURER.
- C. A FACTORY INSTALLED SMOKE DETECTOR IN THE RETURN AIR SECTION OF EACH AIR CONDITIONING UNIT SHALL STOP THE INDOOR FAN AND CLOSE THE OUTSIDE AIR DAMPER IN THE EVENT OF EXCESSIVE TEMPERATURE OR SMOKE. SMOKE DETECTOR SHALL BE LOCATED PRIOR TO ANY EXHAUST FROM THE BUILDING OR MIXING WITH FRESH AIR MAKE-UP. UPON DETECTION, THE SYSTEM SHALL NOT RESTART UNTIL THE DEVICE IS MANUALLY RESET. DEVICES SHALL BE LOCATED WHERE THEY CAN BE EASILY ACCESSED AND WHERE CLEAR OF FILTERS.
- D. CHICK-FIL-A HAS A NATIONAL ACCOUNT WITH SUNCOAST ENVIRONMENTAL CONTROLS FOR THE SMOKE DETECTOR TEST/RESET ANNUNCIATOR STATIONS. THE TEST/RESET STATIONS WILL BE PURCHASED BY THE ELECTRICAL CONTRACTOR AS A PART OF A NATIONAL ACCOUNT PACKAGE AND TURNED OVER TO THE MECHANICAL CONTRACTOR FOR INSTALLATION.
- E. THE REMOTE TEST/RESET ANNUNCIATORS SHALL BE PROVIDED BY THE ELECTRICAL CONTRACTOR AND INSTALLED BY THE MECHANICAL CONTRACTOR. INSTALLATION BY MECHANICAL SHALL INCLUDE MOUNTING OF THE ANNUNCIATORS AND ALL WIRING FROM EACH DEVICE TO THE RTU. ELECTRICAL WILL PROVIDE A JUNCTION BOX IN THE WALL WITH 1/2" CONDUIT STUBBED UP ABOVE THE CEILING FOR EACH REMOTE TEST STATION AS SHOWN ON THE ELECTRICAL PLANS. ANNUNCIATOR SHALL BE SUNCOAST CONTROLS REMOTE TEST/RESET STATION WITH POWER LED, TROUBLE LED, ALARM LED, 90DB HORN AND TEST/RESET BUTTON.
- F. THE RESTROOM FAN SHALL BE INTERLOCKED TO THE LIGHTS SERVING THE MEN AND WOMEN'S RESTROOMS. THE HOOD FANS SHALL BE CONTROLLED VIA THE SUNCOAST CFA-500 CONTROL PANEL. WIRING, RELAYS AND SWITCHES FOR CONTROL OF ALL FANS ARE BY ELECTRICAL CONTRACTOR.
- G. THERMOSTATS ARE PROVIDED AND INTEGRATED INTO THE TEMPERATURE CONTROL PANEL BY SUNCOAST ENVIRONMENT CONTROLS. SUNCOAST WILL PROVIDE A NETWORK THERMOSTAT US32-CFA THERMOSTAT PRE-WIRED IN THE TEMPERATURE CONTROL PANEL. REMOTE TEMPERATURE SENSOR(S) FOR EACH THERMOSTAT IS ALSO PROVIDED. MECHANICAL CONTRACTOR SHALL INSTALL ALL WIRING BETWEEN THE THERMOSTAT, THE REMOTE SENSOR(S) AND THE ROOFTOP UNIT.
- H. MECHANICAL CONTRACTOR SHALL INSTALL CONTROL WIRING IN 1/2" CONDUIT WHERE REQUIRED BY CODE. WHERE NOT REQUIRED TO BE IN CONDUIT, ALL WIRING SHALL BE RUN PARALLEL TO STRUCTURAL MEMBERS OR PERPENDICULAR WITH NO DIAGONAL ROUTING. ALL WIRING SHALL BE SECURED TO THE FRAMING TO PREVENT SAGGING IN RUNS. WIRING TO ROOFTOP UNITS SHALL BE ROUTED THROUGH THE FACTORY THRU-BASE FITTING IN THE UNIT BASE. NO SPLICING OF WIRING WILL BE ACCEPTED. ALL WIRING ABOVE THE ROOF SHALL BE INSTALLED IN EXTERIOR GRADE FLEXIBLE CONDUIT. ALL CONTROL WIRING AND CONTROL WIRING CONDUIT SHALL BE FURNISHED AND INSTALLED BY THE MECHANICAL CONTRACTOR. WIRING SHALL BE INSTALLED IN ACCORDANCE WITH LATEST EDITION OF NEC. ALL LOW VOLTAGE CONTROL WIRING SHALL BE NO LESS THAN 18 AWG MIN. CONTROL WIRING CONDUCTORS SHALL BE SIZED TO ACCOUNT FOR LOAD AND LENGTH OF RUN TO ALLOW SUFFICIENT VOLTAGE AVAILABLE AT CONTROLLED DEVICE TO OPERATE THE SYSTEM RELIABLY.

2.04 PIPING

- A. ALL ABOVE GRADE NATURAL GAS PIPING SHALL BE SCHEDULE 40 STEEL MEETING ASTM A53 WITH SCREWED OR WELDED FITTINGS AND GASKET TYPE UNIONS AND FLANGES. FOR SCREWED PIPING, PIPING SHALL BE JOINED WITH BLACK 150 POUND MALLEABLE IRON SCREWED FITTINGS AS ALLOWED BY LOCAL AUTHORITY. CONTRACTOR SHALL VERIFY THE NEED FOR WELDED PIPING AS REQUIRED BY THE LOCAL GAS CODE AND/OR APPLICABLE LOCAL ORDINANCES AND AMENDMENTS.
- B. ALL BELOW GRADE NATURAL GAS PIPING SHALL BE MEDIUM DENSITY POLYETHYLENE (PE) MEETING ASTM D2513 AS MANUFACTURED BY GASTITE WITH JOINING SYSTEM AS MANUFACTURED BY CON-STAB. TRANSITIONS FROM ABOVE GRADE RIGID PIPING TO PE BELOW GRADE PIPING SHALL BE MADE WITH ANODE-LESS RISER ASSEMBLY AS MANUFACTURED BY CON-STAB.

- C. PROVIDE AND INSTALL A CUT-OFF VALVE, UNION AND FULL SIZE DIRT LEG AT CONNECTION TO EACH GAS-FIRED PIECE OF EQUIPMENT. INSTALL PIPING AT AND AROUND EQUIPMENT SO AS TO NO WAY OBSTRUCT EQUIPMENT ACCESS PANELS AND/OR ACCESS DOORS.
- D. ALL GAS PIPING ABOVE ROOF SHALL BE CLEANED FREE OF RUST AND PAINTED WITH COAT OF ZINC RUST PRIMER AND ONE COAT OF ALUMINUM BASE PAINT. METER AND GAS RISER SHALL BE PRIMED AND PAINTED TO MATCH BUILDING.
- E. NATURAL GAS PIPING SHALL BE LEAK TESTED IN ACCORDANCE WITH APPLICABLE CODE REQUIREMENTS AND MANUFACTURERS RECOMMENDATIONS.

PART III - EXECUTION

3.01 SCOPE

- A. FURNISH AND INSTALL SYSTEM IN ACCORDANCE WITH REFERENCED STANDARDS, APPLICABLE CODES, MANUFACTURER'S RECOMMENDATIONS AND AS INDICATED ON DRAWINGS.
  - B. CONTRACTOR SHALL INSTRUCT THE OWNER'S REPRESENTATIVE IN ALL MATTERS PERTAINING TO THE PROPER MAINTENANCE OF EQUIPMENT FURNISHED UNDER THIS CONTRACT THROUGH DEMONSTRATION AND EXPLANATION OF OPERATING & MAINTENANCE MANUALS.
  - C. CONTRACTOR SHALL PROVIDE A "SAMPLE MAINTENANCE PROPOSAL" TO THE OWNER'S REPRESENTATIVE IN ALL MATTERS PERTAINING TO THE PROPER MAINTENANCE OF EQUIPMENT FURNISHED UNDER THIS CONTRACT.
  - D. CONTRACTOR SHALL COMPLETE A/C EQUIPMENT STARTUP DOCUMENTATION PROVIDED BY OWNER AND/OR MANUFACTURER. THIS SHALL INCLUDE RE-TORQUE OF ALL FIELD AND FACTORY HIGH VOLTAGE CONNECTIONS.
- 3.02 LEED PROJECTS
- A. CONTRACTOR SHALL COMPLETE RECEIPT INSPECTION CHECKLISTS PROVIDED IN THE COMMISSIONING PLAN WITHIN 5 DAYS OF RECEIVING EQUIPMENT ON SITE.
  - B. CONTRACTOR SHALL COMPLETE PRE-FUNCTIONAL CHECKLISTS PROVIDED IN THE COMMISSIONING PLAN. CHECKLISTS SHALL BE RETURNED AT LEAST 5 DAYS PRIOR TO SCHEDULING FUNCTIONAL PERFORMANCE TESTING.
  - C. CONTRACTOR SHALL PROVIDE A TECHNICIAN TO ASSIST THE THIRD PARTY COMMISSIONING AUTHORITY WITH FUNCTIONAL TESTING. FUNCTIONAL TESTING SHALL OCCUR AFTER ALL CONTROLS HAVE BEEN INSTALLED AND VERIFIED AND AFTER TEST AND BALANCE IS COMPLETE. THE FUNCTIONAL PERFORMANCE TEST PROCEDURES CAN BE FOUND IN THE COMMISSIONING PLAN.
  - D. IF THE TOTAL TIME REQUIRED TO CORRECT PROBLEMS DURING TESTING IS GREATER THAN FORTY-FIVE (45) MINUTES (UNLESS EXTENUATING CIRCUMSTANCES EXIST), THE TEST SHALL BE CONSIDERED FAILED AND MUST BE REPEATED IN ITS ENTIRETY.
  - E. RE-TESTING: DURING THE COURSE OF THE RETEST, IF AT ANY POINT A MAJOR DEFICIENCY IS DISCOVERED, THE TEST WILL BE STOPPED. REPEAT TESTS UNTIL ACCEPTABLE RESULTS ARE ACHIEVED. IF MORE THAN TWO FUNCTIONAL PERFORMANCE TESTS (ONE INITIAL TEST AND ONE RETEST) FOR ANY TYPE OF EQUIPMENT DUE TO ISSUES THAT THE CONTRACTOR HAD DIRECT OR INDIRECT CONTROL OVER ARE REQUIRED, THE COSTS FOR THE CXA TO WITNESS RETESTING OF SIMILAR TYPES OF EQUIPMENT UNTIL SATISFACTORY RESULTS ARE OBTAINED SHALL BE THE RESPONSIBILITY OF THE CONTRACTOR.
- 3.03 TEST & BALANCE
- A. OWNER SHALL TEST AND BALANCE MECHANICAL SYSTEM IN ACCORDANCE WITH NEBB, NBC OR AABC STANDARDS TO ASSURE CONFORMANCE WITH DESIGN. G.C. WILL MAKE MECHANICAL CONTRACTOR AVAILABLE DURING TEST AND BALANCE TO ASSIST TESTING AGENCY AND TO MAKE CORRECTIONS IMMEDIATELY NECESSARY. CONTRACTOR SHALL CORRECT ITEMS ON WRITTEN TEST AND BALANCE REPORT.
  - B. ALL EQUIPMENT TO BE BALANCED MUST HAVE GONE THRU SUCCESSFUL START-UP PROCEDURE BY THE MECHANICAL CONTRACTOR (MC) PRIOR TO TEST VISIT.
  - C. THE FLOOR OF THE RESTAURANT SHALL BE CLEARED OF DEBRIS, STAGED CONSTRUCTION MATERIALS, EQUIPMENT, ETC. WHICH MAY, IN THE OPINION OF THE TAB TECHNICIAN, OBSTRUCT ACCESS TO AIR DISTRIBUTION COMPONENTS IN AND ABOVE THE CEILING.
  - D. EQUIPMENT ACCESS PANELS, DUCT AIR DEVICES SUCH AS BALANCING DAMPERS AND ACTUATORS SHALL BE ACCESSIBLE AND CLEAR OF PIPING, CONDUIT, FRAMING, SUPPORTS ETC...
  - E. PROVIDE AN 8 FT PORTABLE A-FRAME STYLE LADDER DEDICATED FOR THE TAB TECHNICIAN'S USE DURING THE ENTIRE TAB EFFORT DURATION.

LEGEND			
A-12-400	TYPE - NECK SIZE - CFM	EF#1	EXHAUST FAN #1 (TYP.)
	SPIN-IN FITTING WITH MANUAL BALANCING DAMPER, WITHOUT SCOOP	AC#1	AIR CONDITIONING UNIT #1 (TYP.)
	SPIN-IN HARD		FLEXIBLE
	REMOTE TEMPERATURE SENSOR		SUPPLY DIFFUSER, SQ FACE (TYP.)
	HUMIDITY SENSOR		MANUAL VOLUME DAMPER
	SMOKE DETECTOR		DIRECTION OF THROW ON DIFFUSER
12x18	DUCT SIZE (reverse for elevation views) 1ST NUMBER - HORIZONTAL DIMENSION 2ND NUMBER - VERTICAL DIMENSION		CLOSED AIR PATTERN DEFLECTOR
	AIR DOOR SWITCH		GAS INFRARED HEATER (TYP.)
EIH	ELECTRIC INFRARED HEATER	B/G	BELOW GRADE
			THERMOSTAT

ABBREVIATIONS			
EC	ELECTRICAL CONTRACTOR	IRH	INFRARED HEATER
GC	GENERAL CONTRACTOR	CF	CIRCULATING FAN
MC	MECHANICAL CONTRACTOR	TF	TRANSFER FAN
PC	PLUMBING CONTRACTOR	EF	EXHAUST FAN
O.C.	ON CENTER		

GENERAL NOTES

1. DUCT SIZES SERVING DIFFUSERS AND GRILLES ARE SAME SIZE AS DIFFUSER OR GRILLE NECK UNLESS NOTED OTHERWISE.
2. FLEXIBLE DUCT AND INSULATION NOT SHOWN FOR CLARITY.
3. FOR ALL ROOF EQUIPMENT, PROVIDE A PLASTIC ENGRAVED LABEL WITH 1" HIGH WHITE LETTERS ON A BLACK BACKGROUND. WITH A SELF ADHESIVE BACKING.
4. UNLESS NOTED OTHERWISE, MC TO ADJUST ALL DIFFUSER AIR PATTERN DEFLECTORS TO THROW HORIZONTALLY ALONG THE CEILING.
5. ALL EXHAUST DUCTWORK AND UNFINISHED METAL ON ROOF EXCEPT STAINLESS SHALL BE PREPARED WITH TWO COATS OF SHERWIN WILLIAMS PRO INDUSTRIAL DTM ACRYLIC COATING, SEMI-GLOSS, WHITE, DEGREASE AND PRIME BARE METAL SURFACE WITH ONE COAT OF SHERWIN WILLIAMS PRO INDUSTRIAL PRO-CRYLACRYLIC UNIVERSAL PRIMER, WHITE, PRIOR TO PAINTING.
6. MAINTAIN 18" CLEARANCE FROM GREASE EXHAUST DUCTWORK ABOVE ROOF TO ANY COMBUSTIBLE CONSTRUCTION INCLUDING PARAPET WALLS.

KITCHEN HOOD SYSTEMS NOTES

1. CHICK-FIL-A MAINTAINS A NATIONAL ACCOUNT WITH HALTON CO. FOR THE HOODS. CHICK-FIL-A WILL PURCHASE AND PROVIDE THE HOODS FOR INSTALLATION BY THE MECHANICAL CONTRACTOR. THE MECHANICAL CONTRACTOR SHALL BE RESPONSIBLE FOR RECEIVING THE HOODS. CONTACT HALTON CO. AT 270-237-5600 FOR MORE INFO.
2. THE FIRE SUPPRESSION SYSTEM SHALL CONSIST OF A COMPLETE WET CHEMICAL SYSTEM FURNISHED BY HALTON. THE HOOD SHALL BE FURNISHED PRE-PIPED BY HALTON.
3. THE FIRE SUPPRESSION SYSTEM EXTERNAL TO THE HOODS SHALL BE INSTALLED IN ACCORDANCE WITH HOOD MANUFACTURER'S SHOP DRAWINGS BY AN AUTHORIZED INSTALLER SELECTED AND HIRED BY HALTON. COST FOR INSTALLATION INCLUDED IN PRICE OF HOODS TO CFA.
4. HOOD EXHAUST DUCTWORK SHALL BE 16 GA. BLACK STEEL WITH CONTINUOUS LIQUID TIGHT WELD OF JOINTS & SEAMS.
5. TURNS IN GREASE EXHAUST DUCTWORK SHALL BE LONG RADIUS TYPE, WITH A CENTERLINE RADIUS R=3W/2, UNLESS OTHERWISE NOTED. NO MITERED FITTINGS ALLOWED.
6. ALL STAINLESS STEEL CLOSURE PANELS SHALL BE SUPPLIED BY HOOD MANUFACTURER AND INSTALLED BY THE MECHANICAL CONTRACTOR ACCORDING TO MANUFACTURER'S RECOMMENDATIONS.
7. SLOPE ALL GREASE EXHAUST DUCT BACK TO HOOD AT 1/4" PER FOOT OF RUN.
8. WRAP NEW GREASE DUCT WITH UNIFRAX FYREWREAP. INSULATION ON ACCESS DOORS SHALL BE INSTALLED ACCORDING TO MANUFACTURER'S INSTALLATION RECOMMENDATIONS. UNIFRAX FYREWREAP PRODUCT USED SHALL MEET LOCAL CODE REQUIREMENTS.
9. SUPPORT ALL HOODS WITH THREADED ROD AT EACH FACTORY SUPPORT POINT. EACH SUPPORT POINT MUST SUPPORT THE HOOD WEIGHT EQUALLY. ATTACH TO STRUCTURE AS DETAILED ON STRUCTURAL DRAWINGS. ATTACH HOOD TO WALL AT 16" INTERVALS ALONG FULL LENGTH OF HOOD ON TOP AND BOTTOM. ATTACHMENT TO WALL REQUIRES FIELD DRILLING OF SUPPORT ANGLE AT BACK OF HOODS. EACH WALL ATTACHMENT POINT MUST OCCUR AT A WALL STUD. ATTACHMENT HARDWARE TO BE #12-24 HEX HEAD SHEET METAL SCREW EQUAL TO TEXTRON SDS EDT265. LENGTH AS REQUIRED TO FULLY PENETRATE THE STUD.
10. MECHANICAL CONTRACTOR TO PROVIDE AND INSTALL SUNCOAST H.E.S. SYSTEM FOR ALL HOODS. SEE HOOD FAN/EQUIPMENT INTERLOCK WIRING DIAGRAM ON M-701 FOR MORE INFORMATION.



**Chick-fil-A**  
5200 Buffington Road  
Atlanta, Georgia  
30349-2998



**Kurzynske & Associates**  
2705 Lebanon Pike - Suite One  
Nashville, Tennessee 37214  
Telephone: (615) 255-5203



01/10/25

**CHICK-FIL-A**  
Johnny Cash Pkwy FSU  
264 East Main Street  
Hendersonville, TN 37075

**FSR#05708**

BUILDING TYPE / SIZE:	P14 LE BN	
RELEASE:	23.09	
PRINTED FOR:	CONSTRUCTION	
REVISION SCHEDULE		
NO.	DATE	DESCRIPTION
3	12/19/2024	ADDRESS CHANGE

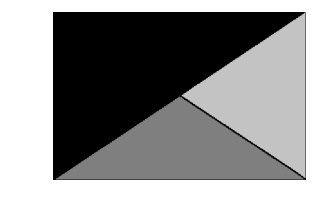
CONSULTANT PROJECT #	24052.EH.S
DATE	07/18/2024
DRAWN BY	BLM

Information contained on this drawing and in all digital files produced for above named project may not be reproduced in any manner without express written or verbal consent from authorized project representatives.  
SHEET GENERAL NOTES, LEGENDS, SYMBOLS, AND ABBREVIATIONS  
SHEET NUMBER

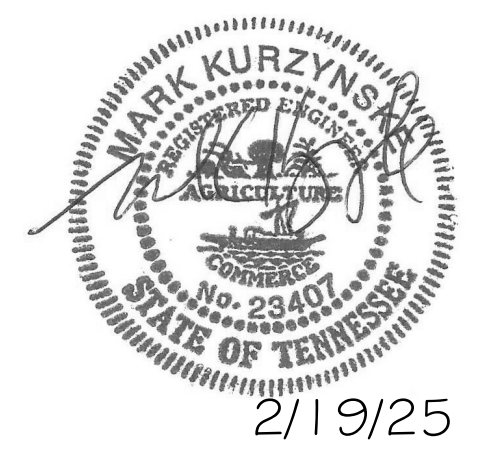
**M-001**



**Chick-fil-A**  
 Chick-fil-A  
 5200 Buffington Road  
 Atlanta, Georgia  
 30349-2998



**Kurzynske & Associates**  
 2705 Lebanon Pike - Suite One  
 Nashville, Tennessee 37214  
 Telephone: (615) 255-5203



**CHICK-FIL-A**  
 Johnny Cash Pkwy FSU  
 264 East Main Street  
 Hendersonville, TN 37075

**FSR#05708**

BUILDING TYPE / SIZE: P14 LE BN  
 RELEASE: 23.09  
 PRINTED FOR:  
 CONSTRUCTION  
 REVISION SCHEDULE

NO.	DATE	DESCRIPTION
5	02/14/2025	COMMENTS & KITCHEN

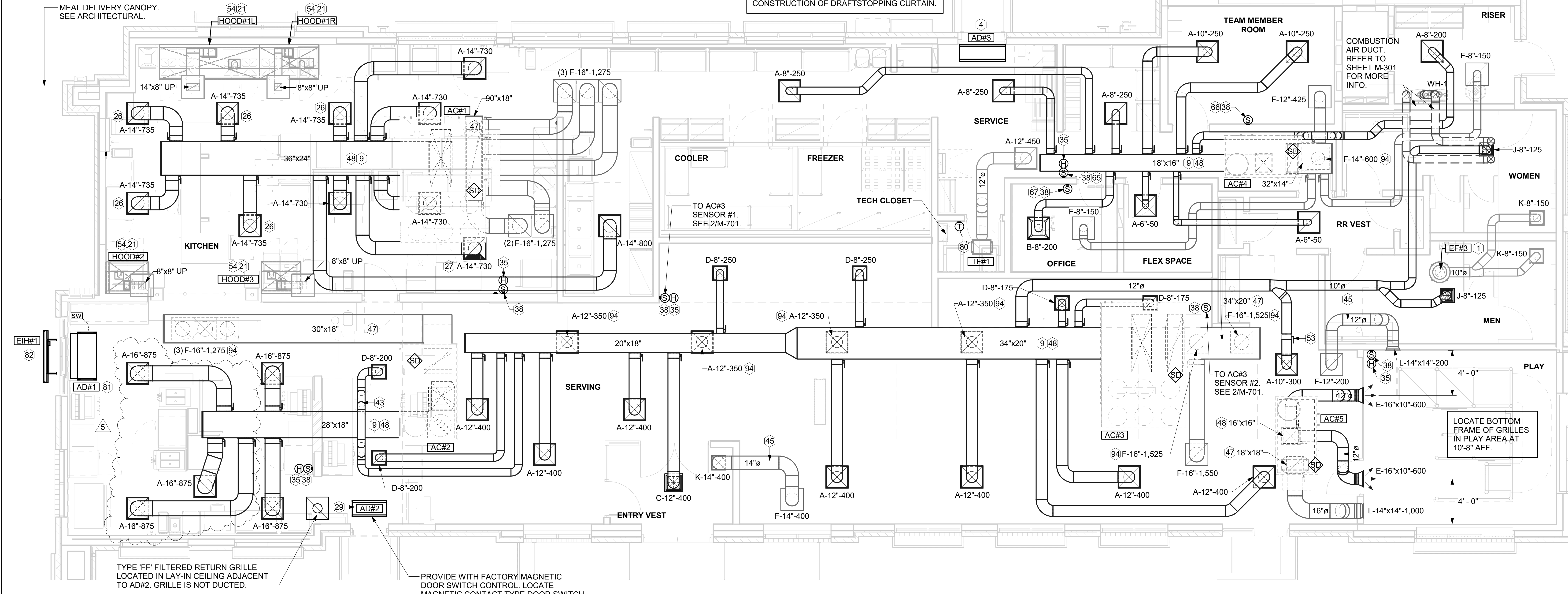
CONSULTANT PROJECT # 24052.EH.S  
 DATE 07/18/2024  
 DRAWN BY BLM

Information contained on this drawing and in all digital files produced for above named project may not be reproduced in any manner without express written or verbal consent from authorized project representatives.

SHEET  
 EQUIPMENT AND DUCTWORK PLAN

SHEET NUMBER  
**M-101**

SEAL PENETRATIONS IN DRAFTSTOPPING CURTAIN AIR-TIGHT. REFER TO ARCH DRAWINGS FOR LOCATION AND CONSTRUCTION OF DRAFTSTOPPING CURTAIN.



**1 EQUIPMENT AND DUCTWORK PLAN**  
 1/4" = 1'-0"

**H.E.S. SYSTEM**  
 MECHANICAL CONTRACTOR TO PROVIDE AND INSTALL SUNCOAST H.E.S. SYSTEM FOR ALL HOODS. SEE HOOD FAN/EQUIPMENT INTERLOCK WIRING DIAGRAM ON M-701 FOR MORE INFORMATION.

**AIR BALANCE SCHEDULE LENNOX**

Mark	SUPPLY AIR	RETURN AIR	OUTSIDE AIR	EXHAUST AIR	BUILDING POSITIVE PRESSURE
AC#1	8,125	6,375	1,750	0	
AC#2	4,375	3,825	550	0	
AC#3	6,400	4,600	1,800	0	
AC#4	1,750	1,325	425	0	
AC#5	1,200	1,325	200	0	
EF#1	0	0	0	1,913	
EF#2	0	0	0	1,402	
EF#3	0	0	0	300	
	21,850	17,450	4,725	3,615	1,110

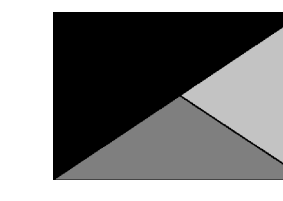
**KEY NOTES**

- 10" DIA. DUCT UP THRU ROOF.
- AIR CURTAIN MOUNTED OVER DOOR HEADER AT 7'-2" AFF TO BOTTOM OF UNIT. PROVIDE BLOCKING IN WALL BEHIND AIR CURTAIN. USE FACTORY PRE-PUNCHED MOUNTING HOLES ON BACK SIDE OF AIR CURTAIN ONLY. ATTACH AIR CURTAIN TO WALL USING 3/8" LAG BOLTS. LENGTH AS REQUIRED TO FULLY PENETRATE BLOCKING. LOCATE MAGNETIC CONTACT TYPE MICROSWITCH IN DOOR FRAME ON STRIKE SIDE.
- BRANCH TAKE-OFFS ARE NOT TO BE LOCATED CLOSER THAN 3'-0" FROM ANY OFFSET OR ELBOW INCLUDING THE SUPPLY AIR DROP FROM CURB.
- HALTON KBD DAMPER AT HOOD COLLAR BY MECHANICAL CONTRACTOR. SEE HOOD ELEVATIONS ON M-201 FOR LOCATION.
- MECHANICAL CONTRACTOR TO ADJUST PATTERN DEFLECTORS TO THROW STRAIGHT DOWN.
- MECHANICAL CONTRACTOR TO CLOSE THE AIR PATTERN DEFLECTORS ON SHADED SIDE.
- MOUNT AIR CURTAIN ABOVE CEILING. REFER TO SECTION ON SHEET M-301.
- MOUNT HUMIDITY SENSOR ON WALL ABOVE SPACE TEMP SENSOR AND ROUTE WIRING TO UNIT ON ROOF.
- MOUNT REMOTE SENSOR ON WALL AT 5'-0" AFF U.N.O. AND ROUTE WIRING BACK TO SUNCOAST TEMP CONTROL PANEL. FOR SENSOR SERVING AC#1, COORDINATE EXACT LOCATION WITH KITCHEN EQUIPMENT.
- ROUTE DUCT WITHIN STRUCTURE.
- TRANSFER AIR DUCT, NO BALANCING DAMPERS AT GRILLES.
- TRANSITION IN VERTICAL DROP FROM FULL SIZE OF CURB OPENING TO SIZE SHOWN. SEE DETAIL 6/M-501 FOR REQUIRED TRANSITION GEOMETRY. TRANSITION WITHIN CURB WHERE REQUIRED TO AVOID STRUCTURE. WHERE THE DUCT IS SHOWN OFFSET HORIZONTALLY, PROVIDE ELBOW WITHOUT TURNING VANES. FOR DROPS WITH NO HORIZONTAL OFFSET, EXTEND DROP BELOW STRUCTURE TO ACCOMMODATE START COLLARS. TERMINATE DROP A MINIMUM 0'-10" ABOVE CEILING (0'-4" ABOVE CEILING IF REQUIRED TO ACCOMMODATE TAKE-OFF AND DROP IS NOT LOCATED DIRECTLY ABOVE A LIGHT).
- TRANSITION IN VERTICAL DROP FROM FULL SIZE OF CURB OPENING TO SIZE SHOWN. TRANSITION WITHIN CURB WHERE REQUIRED TO AVOID STRUCTURE. WHERE THE DUCT IS SHOWN OFFSET HORIZONTALLY, PROVIDE ELBOW WITH TURNING VANES. FOR DROPS WITH NO HORIZONTAL OFFSET, EXTEND DROP BELOW STRUCTURE TO ACCOMMODATE START COLLARS. TERMINATE DROP A MINIMUM 0'-10" ABOVE CEILING (0'-4" ABOVE CEILING IF REQUIRED TO ACCOMMODATE TAKE-OFF AND DROP IS NOT LOCATED DIRECTLY ABOVE A LIGHT).
- RUSKIN MDRS25 MVD W/LOCKING QUADRANT HANDLE.
- SEE ELEVATIONS ON M-201 FOR CJ FAN DUCTING REQUIREMENT.
- TO AC#4, SENSOR #1. SEE 2/M-701.
- TO AC#4, SENSOR #2. SEE 2/M-701.
- TO AC#4, SENSOR #3. SEE 2/M-701.
- CEILING MOUNTED RECIRCULATING FAN. DUCT AND DISCHARGE TO TYPE 'A' DIFFUSER AS SHOWN.
- MOUNT AIR DOOR IN CEILING. CENTERED ON DRIVE-THRU/MFA DOOR OPENING. REFER TO WIRING DIAGRAM ON SHEET M-701 FOR MORE INFORMATION.
- ELECTRIC HEATER. MC TO MOUNT ON WALL PER MANUFACTURER'S RECOMMENDATIONS.
- TAKE OFF WITH DAMPER AT THE BOTTOM OF DUCTWORK, TYP.

Autodesk Docs:ITN\_05708\_Johnny Cash Pkwy FSU\_2024\_1\_FSR05708\_Johnny Cash Pkwy FSU\_K&A\_MEC.rvt  
 2/17/2025 2:49:00 PM  
 30-LE-05708-M-101-EQUIPMENT AND DUCTWORK PLAN



**Chick-fil-A**  
 5200 Buffington Road  
 Atlanta, Georgia  
 30349-2998



**Kurzynske & Associates**  
 2705 Lebanon Pike - Suite One  
 Nashville, Tennessee 37214  
 Telephone: (615) 255-5203



01/10/25

**CHICK-FIL-A**  
 Johnny Cash Pkwy FSU  
 264 East Main Street  
 Hendersonville, TN 37075

**FSR#05708**

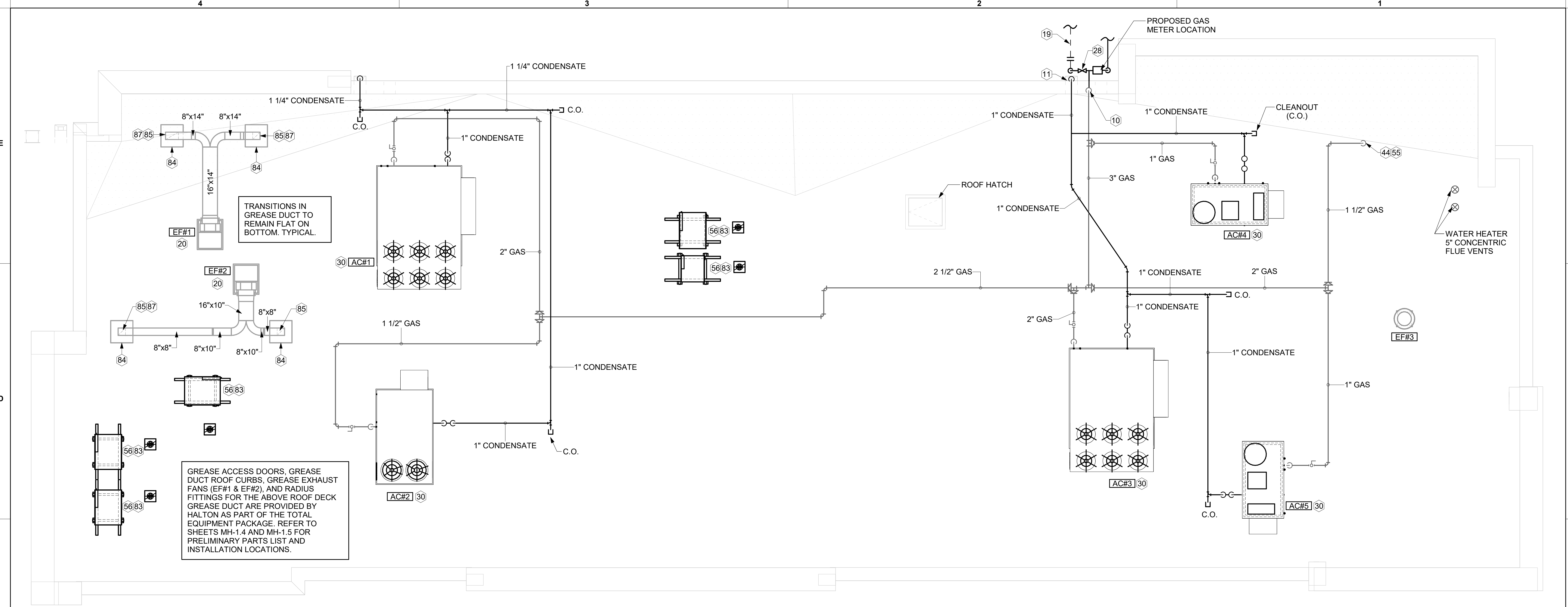
BUILDING TYPE / SIZE: P14 LE BN  
 RELEASE: 23.09  
 PRINTED FOR:  
 CONSTRUCTION

REVISION SCHEDULE		
NO.	DATE	DESCRIPTION

CONSULTANT PROJECT # 24052.EH.S  
 DATE 07/18/2024  
 DRAWN BY BLM

Information contained on this drawing and in all digital files produced for above named project may not be reproduced in any manner without express written or verbal consent from authorized project representatives.  
 SHEET  
 EQUIPMENT ROOF PLAN

SHEET NUMBER  
**M-102**



**1 EQUIPMENT ROOF PLAN**  
 1/4" = 1'-0"

**KEY NOTES**

- 10 TURN 3" GAS UP WITHIN WALL, THRU PARAPET AND ONTO ROOF.
- 11 ROUTE POLYETHYLENE GAS BELOW GRADE FROM THE METER. FOR TRANSITION FROM POLYETHYLENE PIPING BELOW GRADE TO STEEL AT THE METER, INSTALL ANODELESS RISER WITH INTEGRAL CONSTAB PE-TO-IPS TRANSITION FITTING BY CONTINENTAL INDUSTRIES OR EQUAL BY ELSTER.
- 19 1-1/2" GAS BELOW GRADE TO ORDER CANOPY, SEE DETAIL 2 SHEET M-103.
- 20 GREASE EXHAUST DUCT LOCATED ON ROOF SHALL SLOPE 1/4" PER FOOT TOWARDS THE HOOD, THE FAN, OR A COMBINATION OF THE TWO SUCH THAT NO PORTION OF THE RADIUS ELBOW AT THE CURB IS BELOW THE CURB CAP AND SUCH THAT THE FAN BASE SETS DIRECTLY ON THE CURB RAILS. THE BOTTOM OF THE RADIUS ELBOW MAY BE EVEN OR FLUSH WITH THE CURB CAP, BUT NOT BELOW THE CAP. THE DUCT AT THE FAN MUST BE CENTERED ON THE FAN INLET.
- 28 PROVIDE FULL PORT BALL VALVE EQUAL TO APOLLO 50GB SERIES WITH WINGS HANDLE OPTION ABOVE GRADE AT THE METER. PROVIDE BRASS VALVE TAG WITH JACK CHAIN AT VALVE MARKED "SERVICE SHUTOFF FOR CANOPY HEATERS."
- 30 MECHANICAL CONTRACTOR TO SEE ARCHITECTURAL ROOF PLAN FOR NOTES REGARDING LEVELING FRAMES FOR RTUS. COORDINATE WITH GENERAL CONTRACTOR EXACT LOCATIONS AND SIZE NEEDED.
- 44 1-1/2" GAS DOWN THRU ROOF TO WATER HEATER. SEE DETAIL 2/M-502 FOR MORE INFORMATION ON CONSTRUCTION AND PENETRATION.
- 55 SEE ARCHITECTURAL DETAILS FOR ROOFTOP PIPE PENETRATIONS.
- 56 GC SHALL PROVIDE EQUIPMENT STANDS AS MANUFACTURED BY AVCOA OR EQUAL. STANDS SHALL BE INSTALLED PRIOR TO ROOF INSULATION SO THAT THE INSULATION IS CONTINUOUS UP TO THE PIPE POSTS. POSTS SHALL BE FLASHED IN ACCORDANCE WITH ROOFING MANUFACTURER'S INSTALLATION INSTRUCTIONS. COORDINATE BLOCKING BELOW THE ROOF DECK AS REQUIRED.
- 83 DO NOT DISCHARGE OF CONDENSING UNITS INTO CONDENSER SECTION OF ROOFTOP UNITS, TYP.
- 84 ROOF CURB FOR DUCT PENETRATION. REFER TO MH-1.4 AND MH-1.5 FOR DETAILS.
- 85 TURN DOWN THRU ROOF. SEE M-101 FOR CONTINUATION.
- 87 DUCT PENETRATIONS ON ROOF MUST BE AT LEAST 18" FROM ADJACENT PARAPETS.

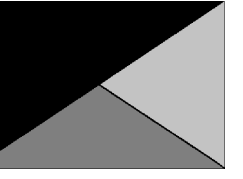
**3. GAS LOAD SCHEDULE**

EQUIPMENT	GAS LOAD
AC#1	480,000 BTUS
AC#2	240,000 BTUS
AC#3	480,000 BTUS
AC#4	108,000 BTUS
AC#5	65,000 BTUS
IRH (2 @ 50,000 BTU EA.)	100,000 BTUS
IRH (FUTURE 4 @ 50,000 BTU EA.)	200,000 BTUS
WATER HEATER	398,000 BTUS
<b>TOTAL CONNECTED LOAD</b>	<b>2,071,000 BTUS</b>
REMARKS:	1. EQUIVALENT TO 2,071.0 CFH 2. 7" W.C. DELIVERY PRESSURE 3. DEVELOPED LENGTH: 175 FT. (METER TO AC#1) 4. GAS PIPING SIZED FOR FUTURE LOAD

Autodesk Docs://TN\_05708\_Johnny Cash Pkwy FSU\_2024\_1\_FSR05708\_Johnny Cash Pkwy FSU\_K&A\_MEC.rvt  
 1/8/2025 9:57:52 AM  
 30-LE-05708-M-102-EQUIPMENT ROOF PLAN



**Chick-fil-A**  
5200 Buffington Road  
Atlanta, Georgia  
30349-2998



**Kurzynske & Associates**  
2705 Lebanon Pike - Suite One  
Nashville, Tennessee 37214  
Telephone: (615) 255-5203



01/10/25

**CHICK-FIL-A**  
Johnny Cash Pkwy FSU  
264 East Main Street  
Hendersonville, TN 37075

**FSR#05708**

BUILDING TYPE / SIZE: P14 LE BN  
RELEASE: 23.09  
PRINTED FOR:  
CONSTRUCTION  
REVISION SCHEDULE

NO.	DATE	DESCRIPTION

CONSULTANT PROJECT # 24052.EH.S  
DATE 07/18/2024  
DRAWN BY BLM

Information contained on this drawing and in all digital files produced for above named project may not be reproduced in any manner without express written or verbal consent from authorized project representatives.

SHEET CANOPY HVAC PLAN

SHEET NUMBER

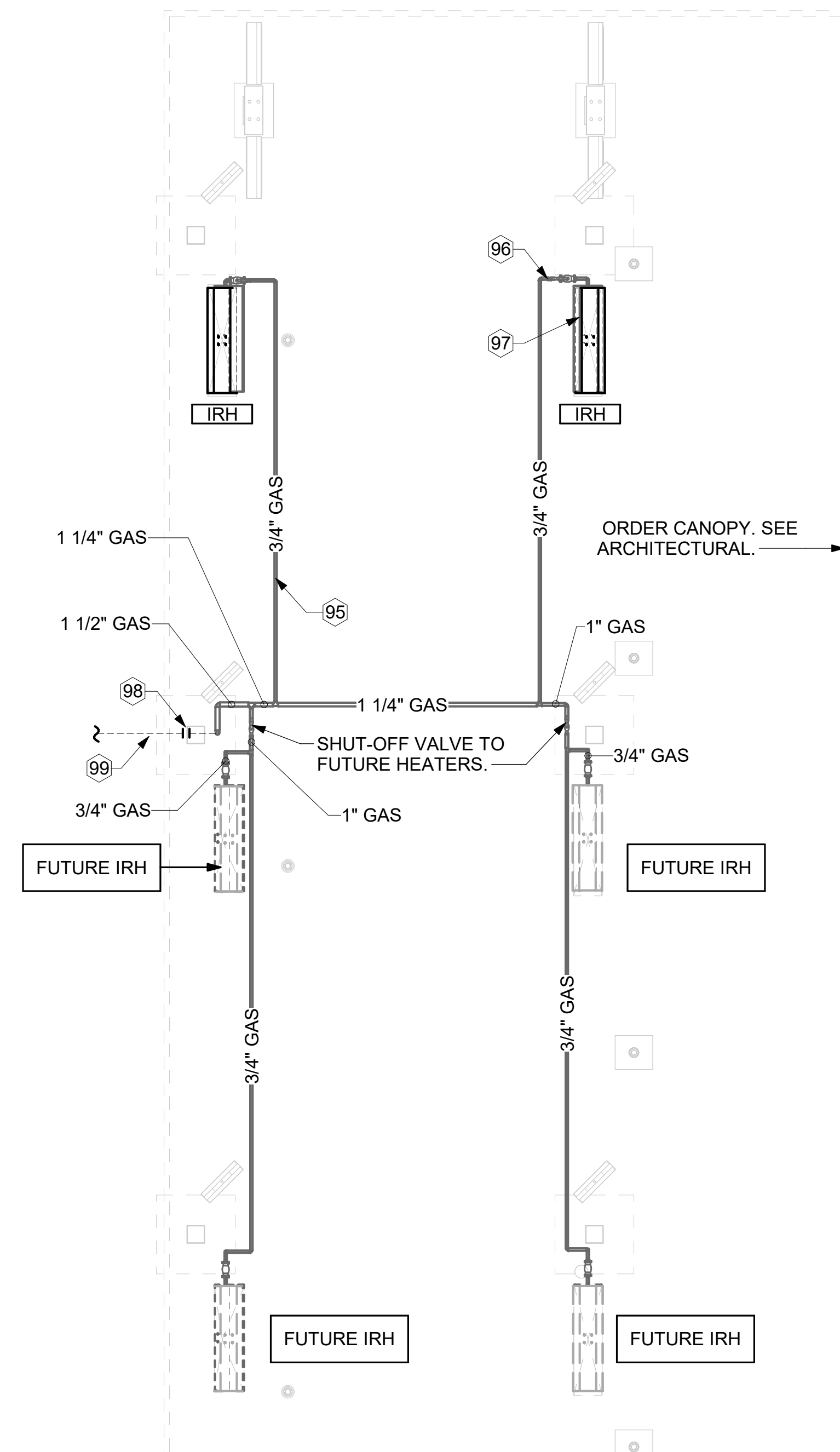
**M-103**

**KEY NOTES**

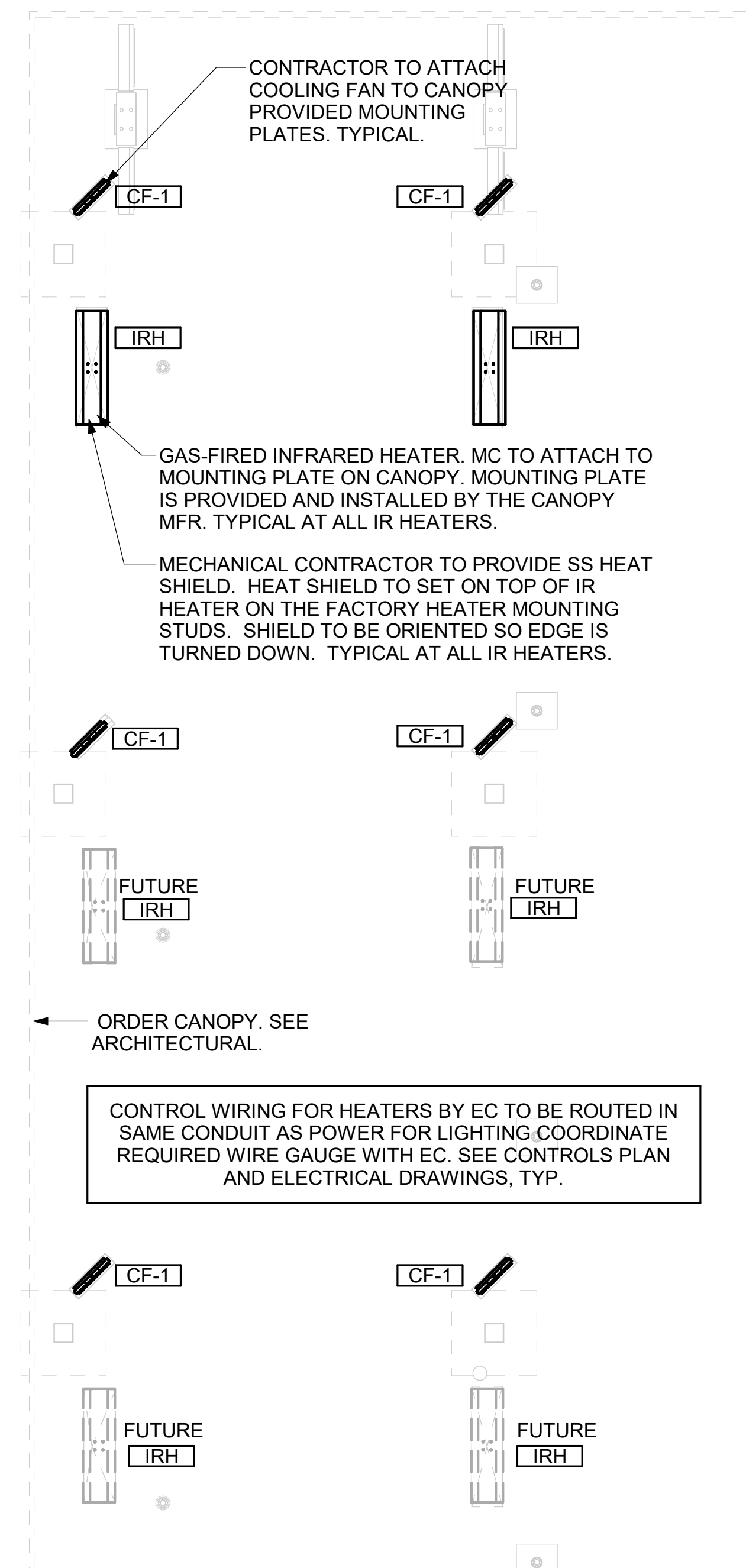
- 95 GAS PIPING TO BE ROUTED ABOVE CANOPY, ON TOP OF STRUCTURAL MEMBERS, EXCEPT WHERE ROUTED DOWN THROUGH PENETRATIONS AS INDICATED.
- 96 GAS PIPING DOWN THROUGH DECK, WEATHERPROOF DECK PENETRATION PER DETAIL 6/M-502, TYPICAL.
- 97 SEE DETAIL 1/M-502 FOR PIPING AT IRH, TYPICAL.
- 98 GAS TRANSITION FITTING TO GAS PIPE STUB-OUT, GAS PIPING INSIDE COLUMN AND STUB-OUTS BY CANOPY MFR. JOIN UNDERGROUND POLYETHYLENE GAS PIPING TO TRANSITION FITTING WITH ELSTER PERMASERT COUPLING. CANOPY MFR'S EXPOSED STEEL PIPING BELOW GRADE SHALL BE PROTECTED WITH TWO COATS ASPHALT TUM BASE PAINT AND POLY SLEEVE.
- 99 1-1/2" GAS B/G TO METER SEE 1/M-102.

**CANOPY GENERAL NOTES**

- 1. COORDINATE WORK WITH CONDUIT, STRUCTURE, AND PIPING. FIELD VERIFY CONDITIONS PRIOR TO START OF WORK.
- 2. COORDINATE LOCATION AND RESPONSIBILITIES FOR UNDERGROUND PIPING AND ASSOCIATED TRENCHING WITH GENERAL CONTRACTOR PRIOR TO START OF WORK.
- 3. EXPOSED GAS PIPING SHALL BE COVERED WITH A RUST INHIBITING PAINT SUCH AS RUST-OLEUM 5200. PAINT COLOR SHALL MATCH STRUCTURE. ROOF MOUNTED GAS PIPING COLOR SHALL BE YELLOW.
- 4. CONTROL WIRING FOR HEATERS BY EC. COORDINATE REQUIRED WIRE GAUGE WITH EC. SEE CONTROLS PLAN AND ELECTRICAL DRAWINGS, (TYP.).



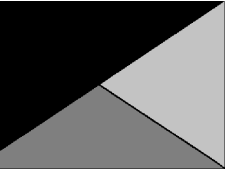
**2 ORDER CANOPY GAS PIPING PLAN**  
1/4" = 1'-0"



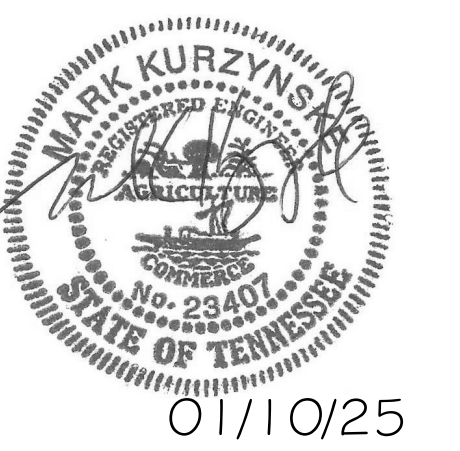
**1 MECHANICAL FLOOR PLAN - ORDER CANOPY**  
1/4" = 1'-0"



**Chick-fil-A**  
5200 Buffington Road  
Atlanta, Georgia  
30349-2998



**Kurzynske & Associates**  
2705 Lebanon Pike - Suite One  
Nashville, Tennessee 37214  
Telephone: (615) 255-5203



01/10/25

**CHICK-FIL-A**  
Johnny Cash Pkwy FSU  
264 East Main Street  
Hendersonville, TN 37075

**FSR#05708**

BUILDING TYPE / SIZE: P14 LE BN  
RELEASE: 23.09  
PRINTED FOR:  
CONSTRUCTION  
REVISION SCHEDULE

NO.	DATE	DESCRIPTION

CONSULTANT PROJECT # 24052.EH.S  
DATE 07/18/2024  
DRAWN BY BLM

Information contained on this drawing and in all digital files produced for above named project may not be reproduced in any manner without express written or verbal consent from authorized project representatives.  
SHEET  
EXHAUST HOOD ELEVATIONS

SHEET NUMBER

**M-201**

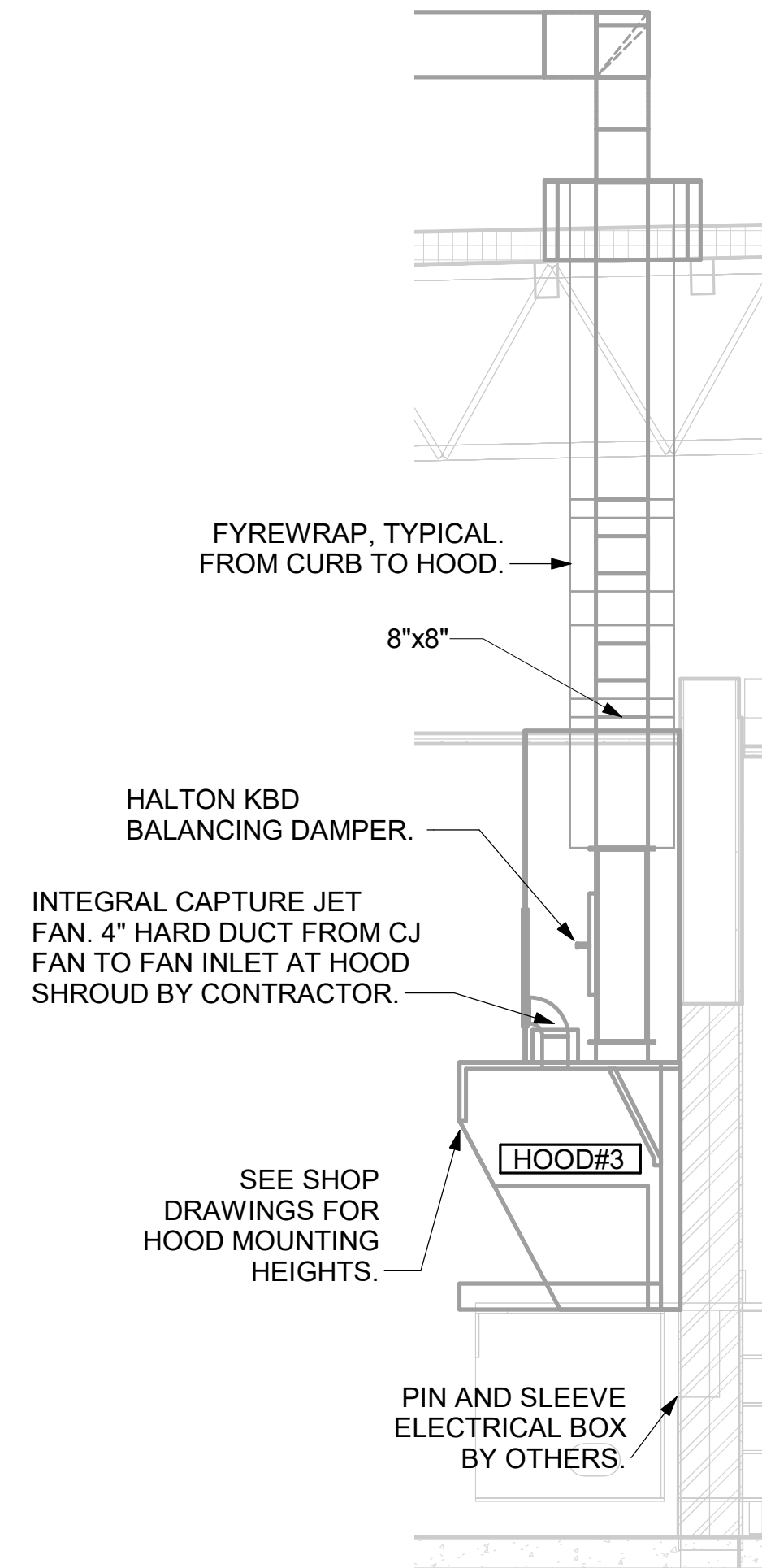
**GREASE EXHAUST DUCT CLEARANCE NOTE:**

CLEARANCES ABOVE CEILING ARE TIGHT. MECHANICAL CONTRACTOR TO FIELD VERIFY EXACT ROUTING AND CLEARANCES PRIOR TO FABRICATING GREASE EXHAUST DUCT.

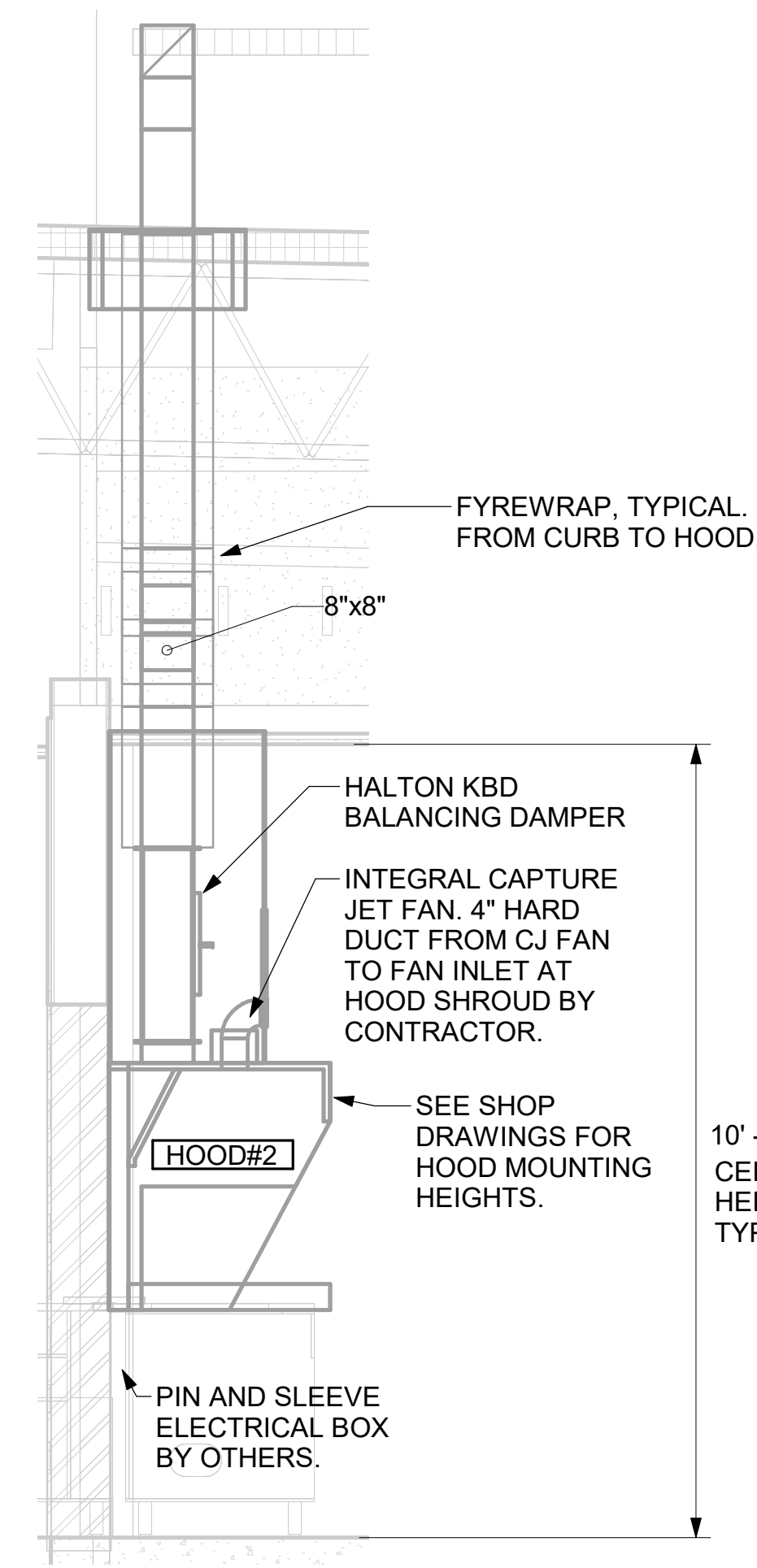
**CLEANOUT DOOR NOTE:**

DUCT WRAP SHALL BE APPLIED TO THE CLEANOUT DOOR PER THE WRAP MFR'S INSTALLATION INSTRUCTIONS. NO EXCEPTIONS. ALSO, THE CLEANOUT DOOR MUST BE REMOVABLE WITHOUT TOOLS AND MUST BE CLEARLY AND PERMANENTLY LABELED.

CRITICAL: SET RIGHT SIDE OF HOOD#3 FLUSH WITH FINISHED EDGE OF PASS THRU WINDOW.

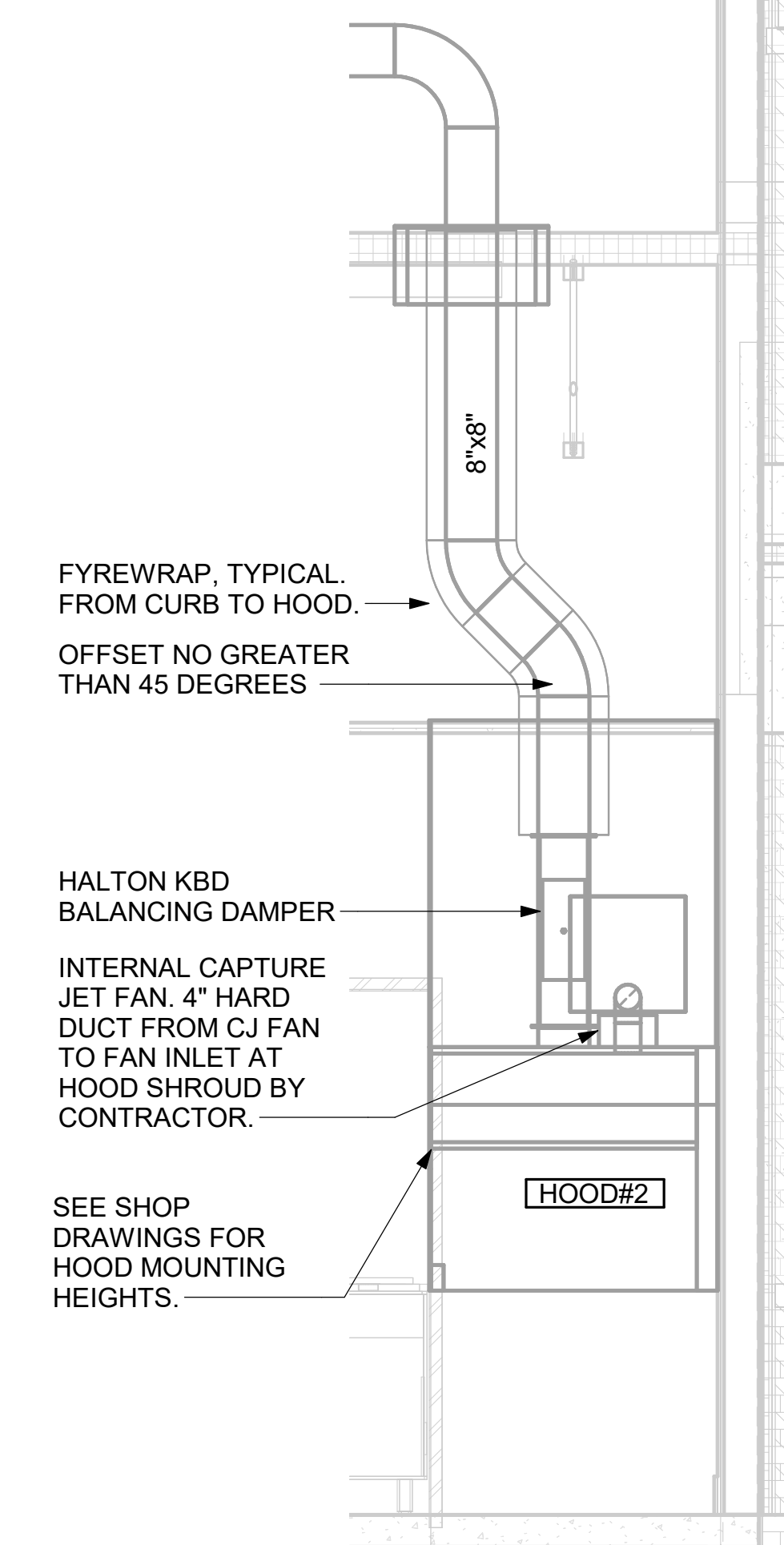


6 HOOD ELEVATION - HOOD#3  
NOT TO SCALE

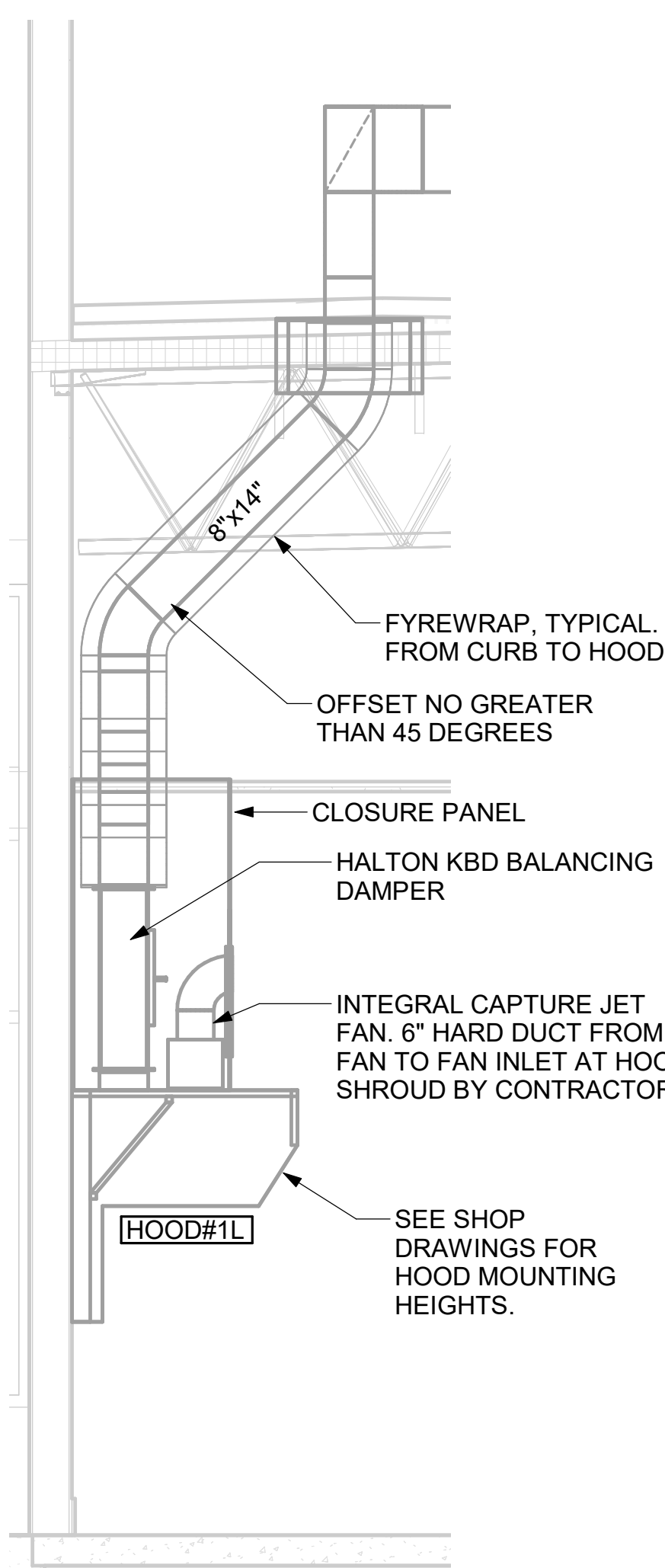


5 HOOD ELEVATION - HOOD#2 - SIDE  
NOT TO SCALE

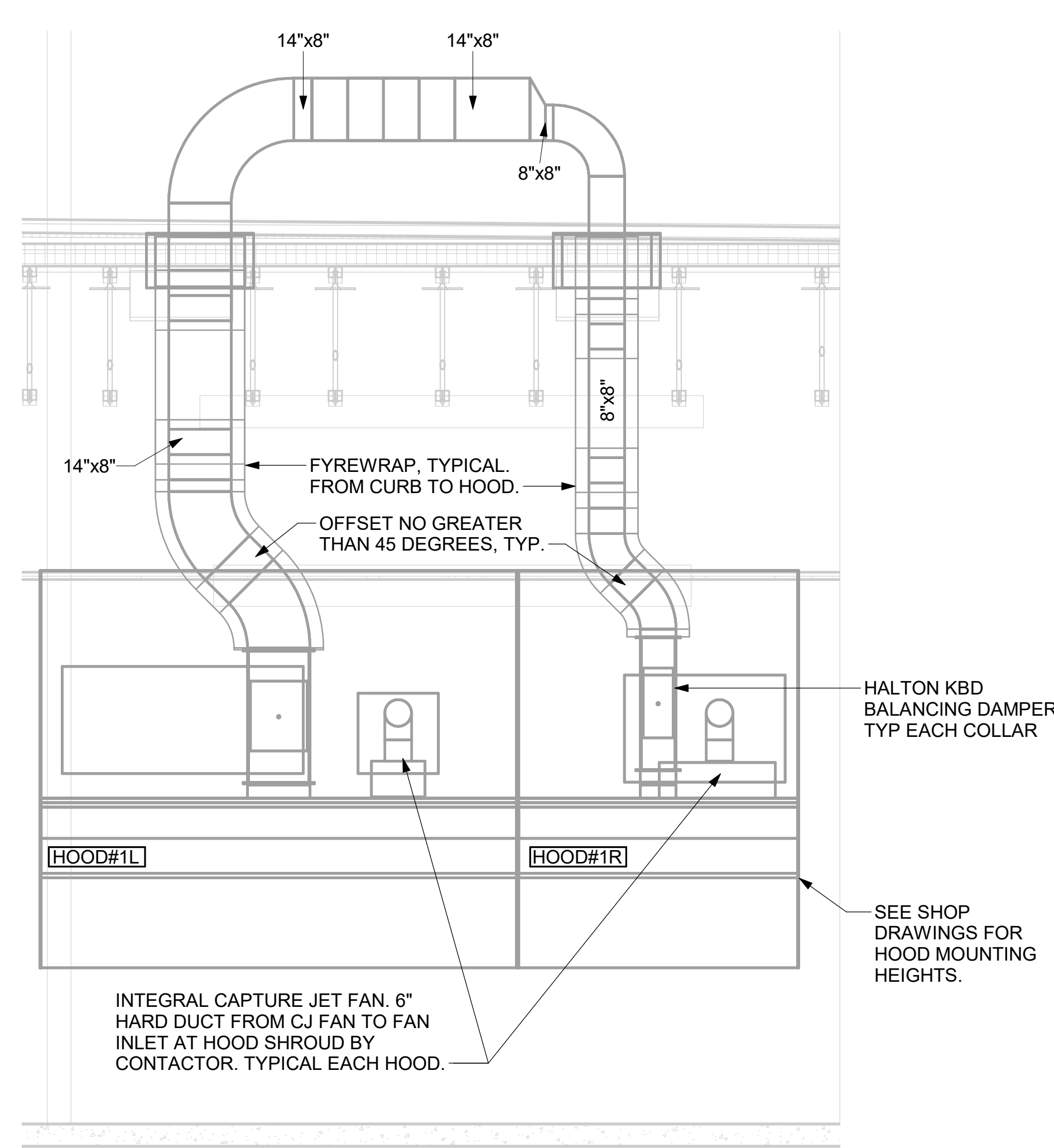
CRITICAL: SET LEFT SIDE OF HOOD#2 FLUSH WITH FINISHED EDGE OF PASS THRU WINDOW.



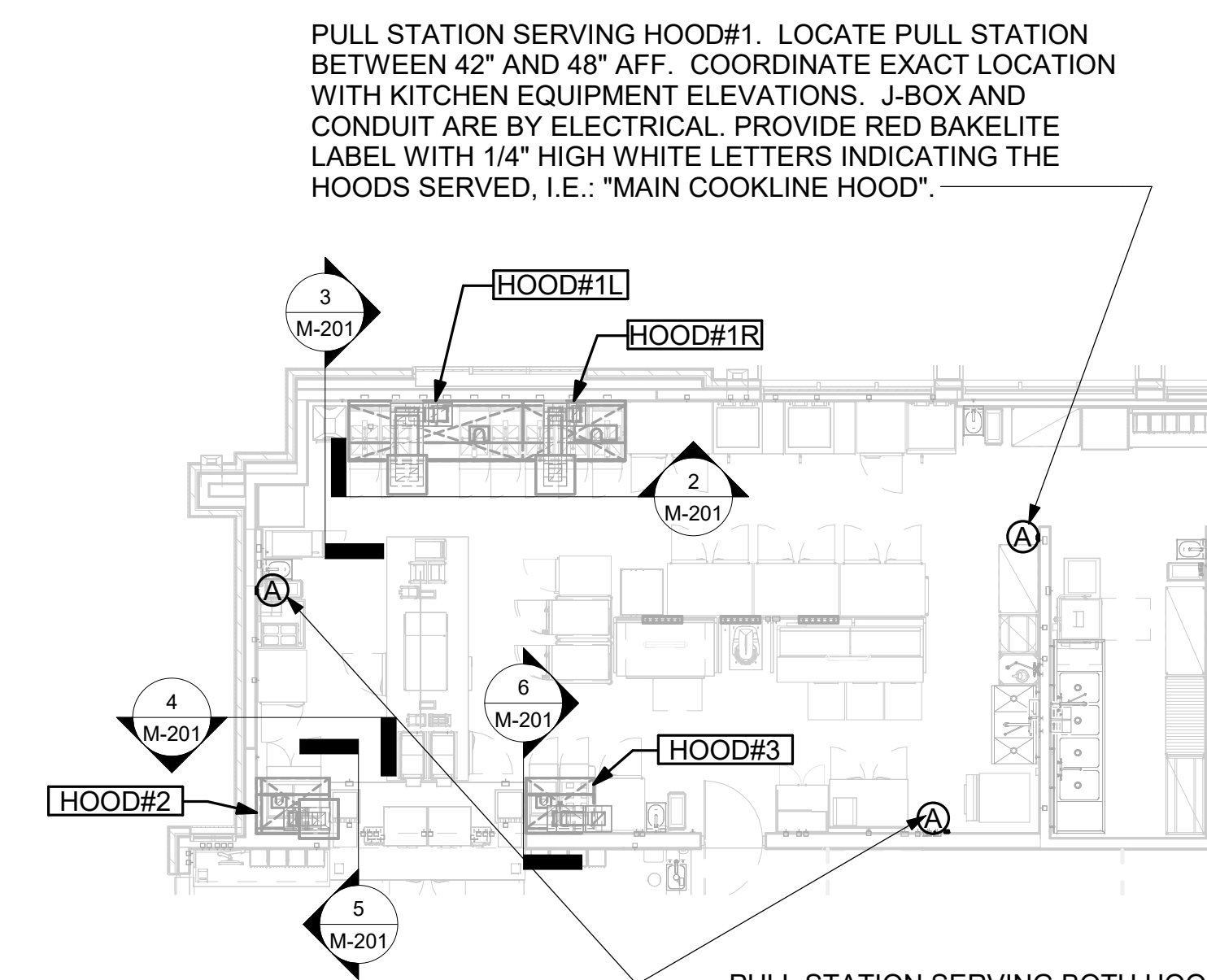
4 HOOD ELEVATION - HOOD#2 - FRONT  
NOT TO SCALE



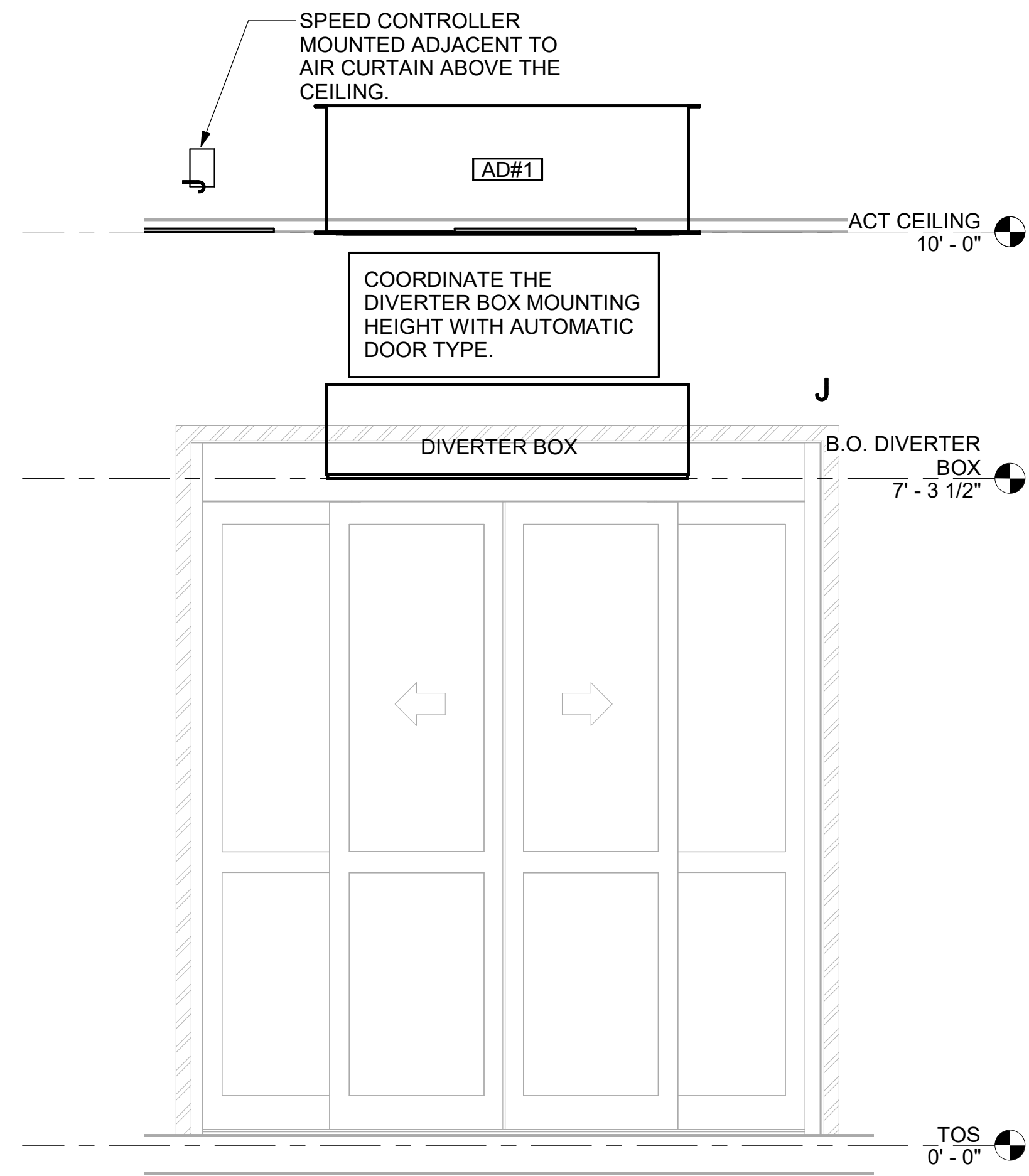
3 HOOD ELEVATION - HOOD#1 - SIDE  
NOT TO SCALE



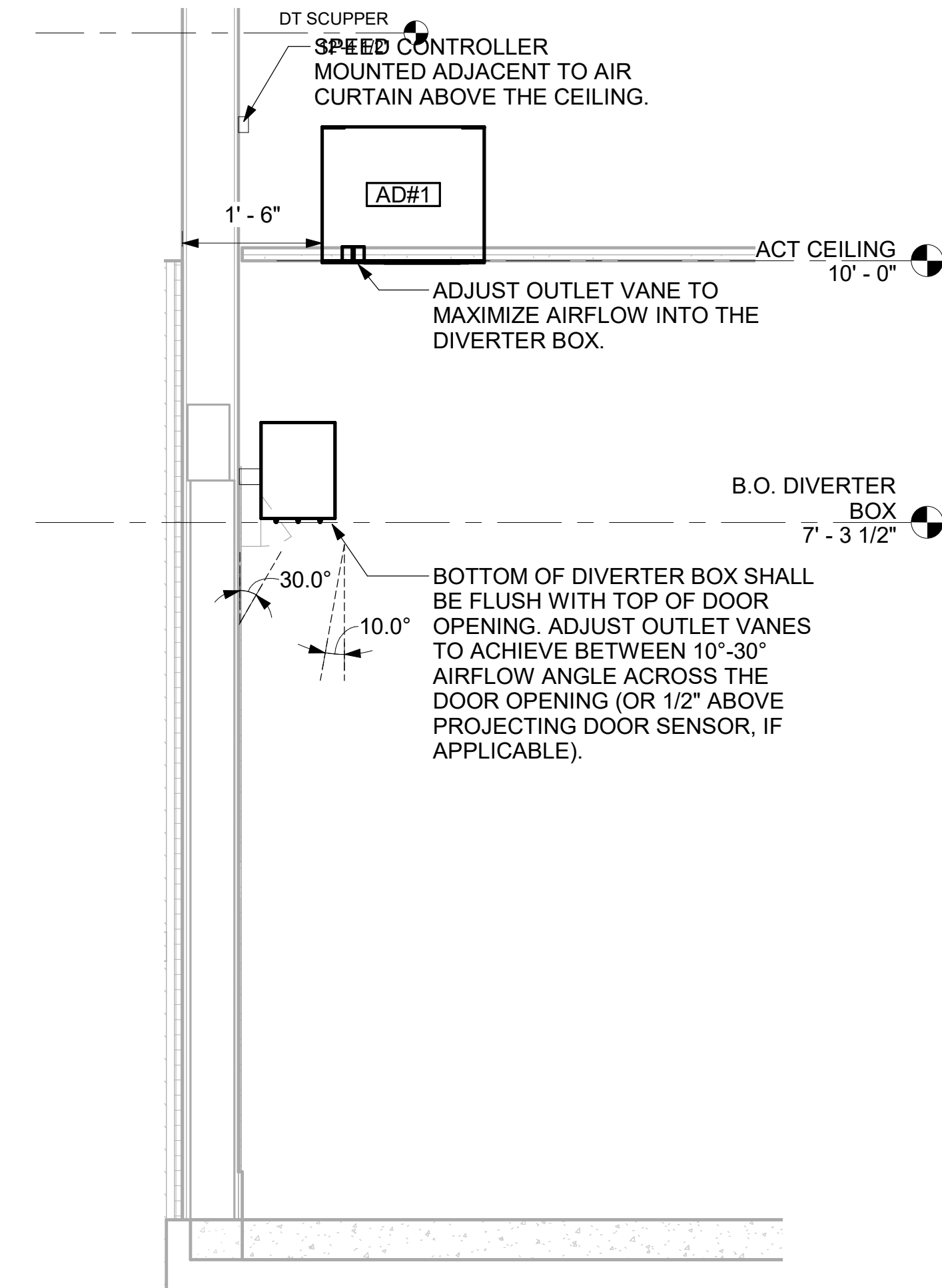
2 HOOD ELEVATION - HOOD#1 - FRONT  
NOT TO SCALE



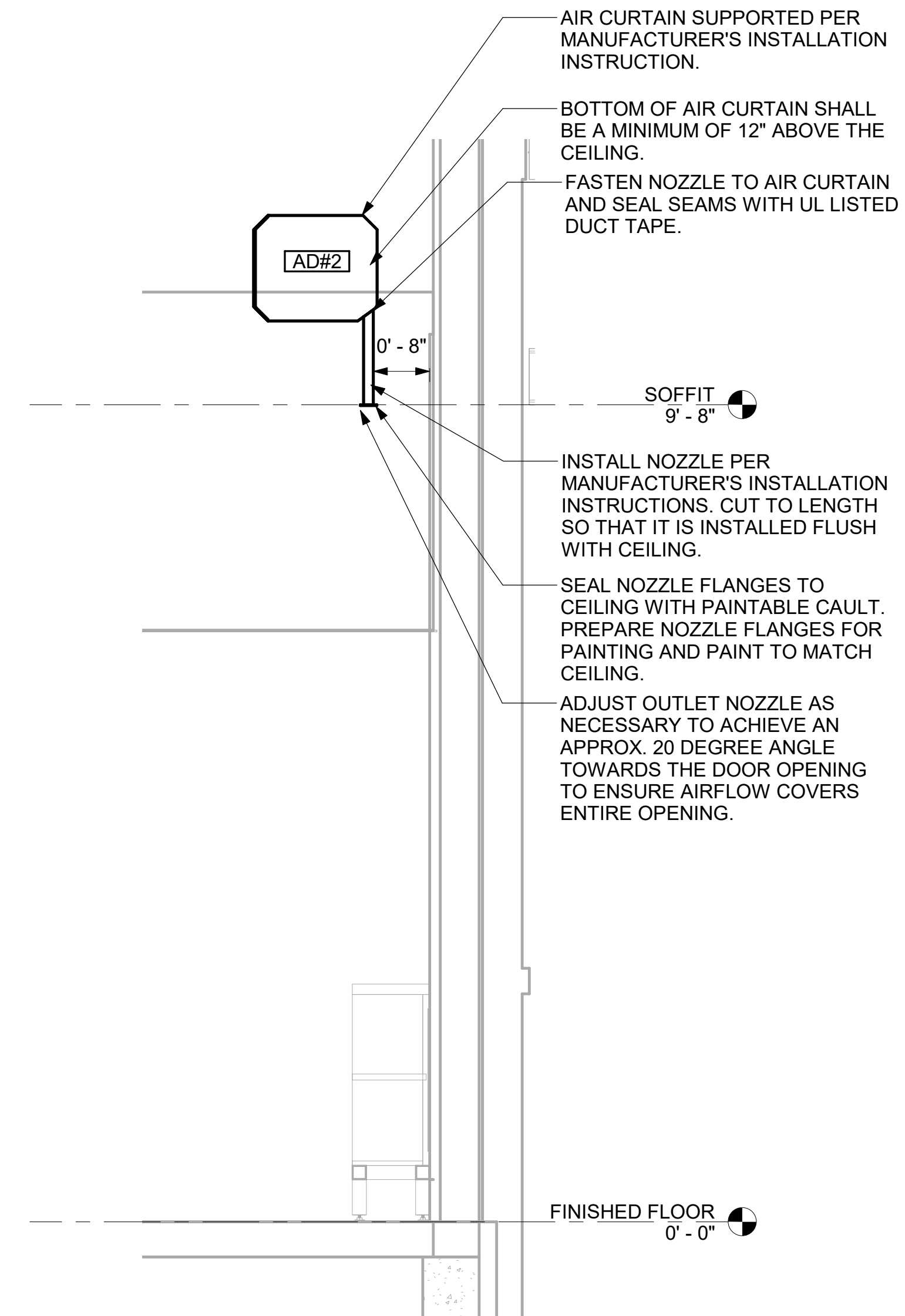
1 HOOD LAYOUT  
1/8" = 1'-0"



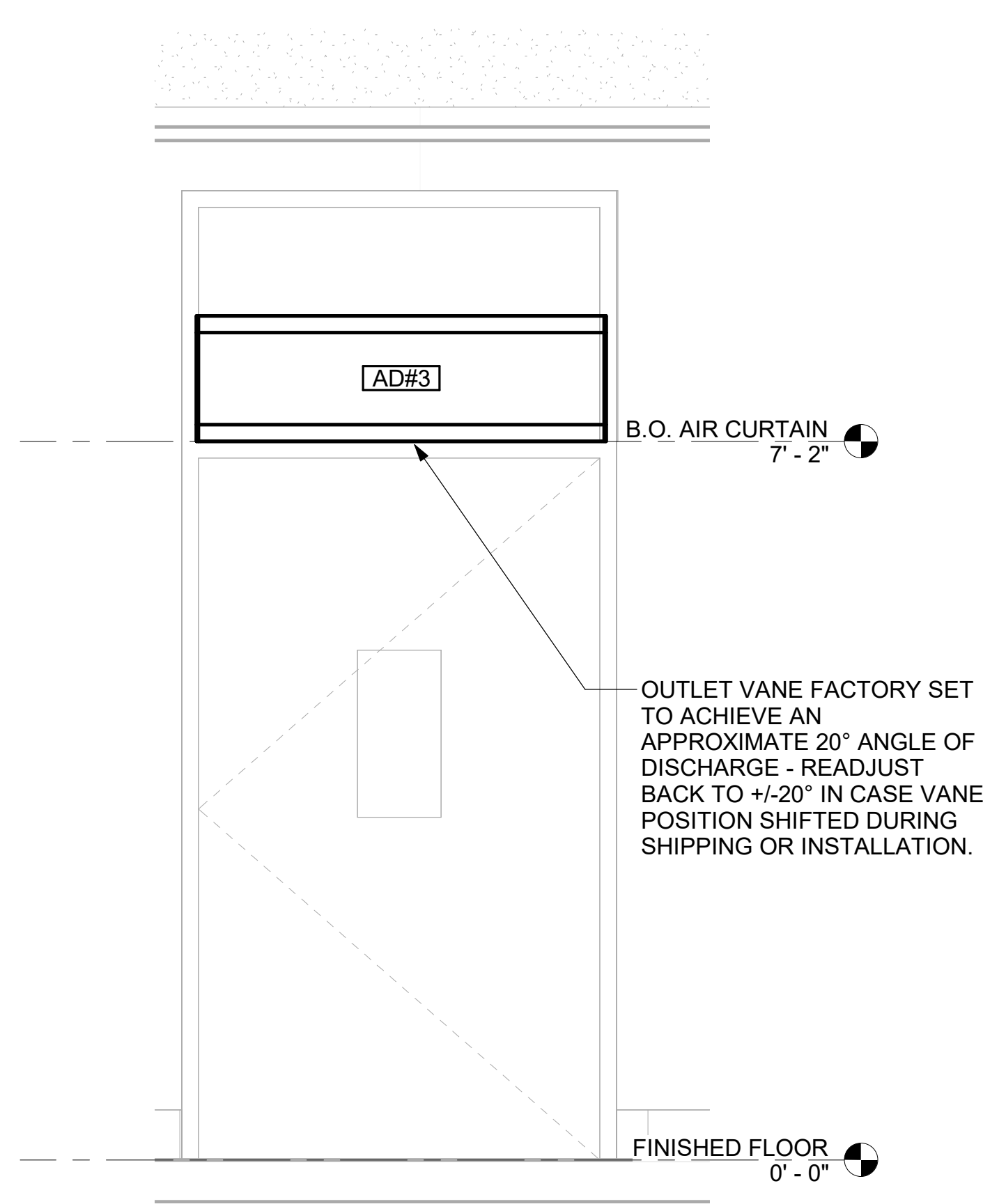
2 AD#1 FRONT VIEW  
3/4" = 1'-0"



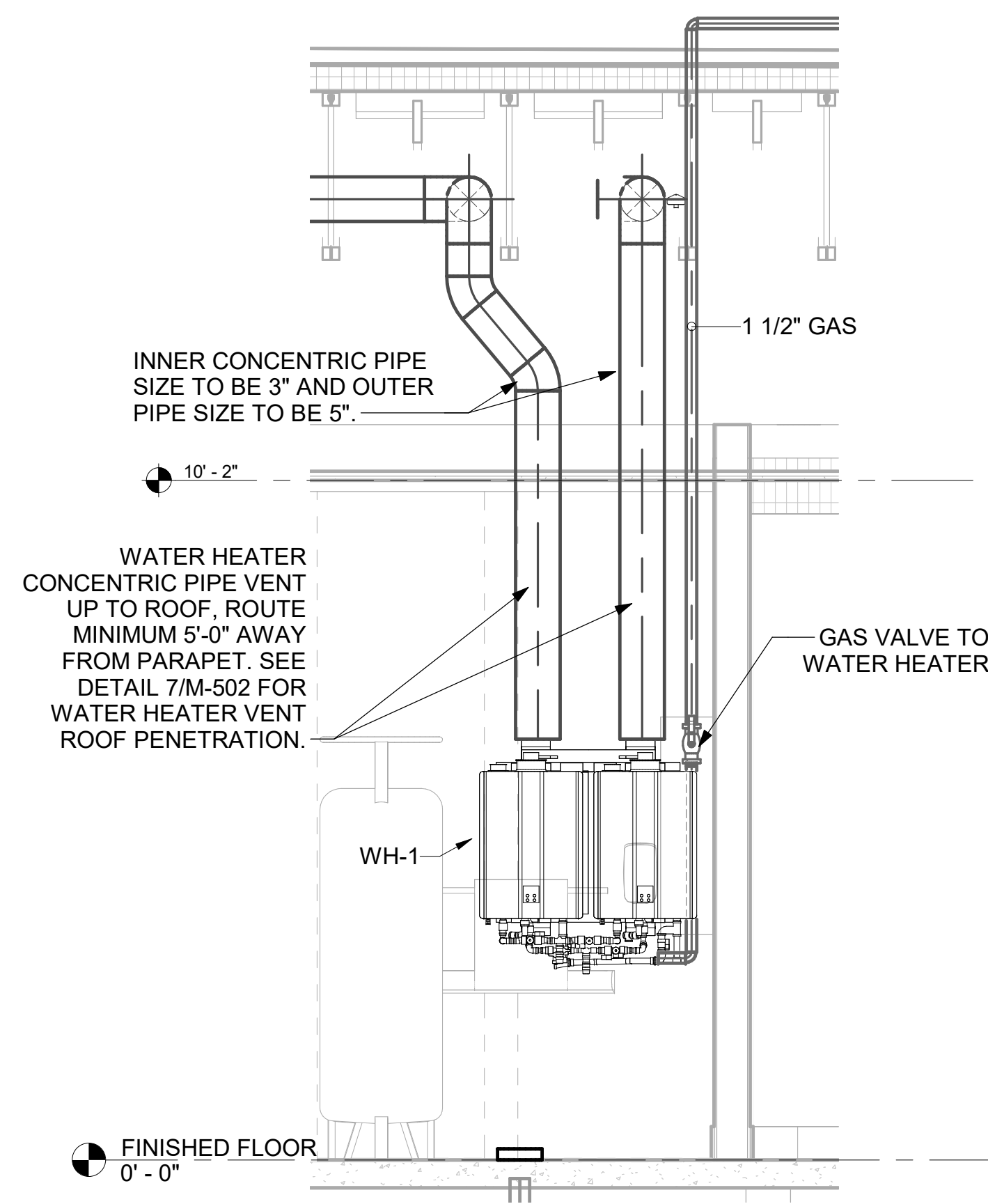
3 AD#1 SIDE VIEW  
3/4" = 1'-0"



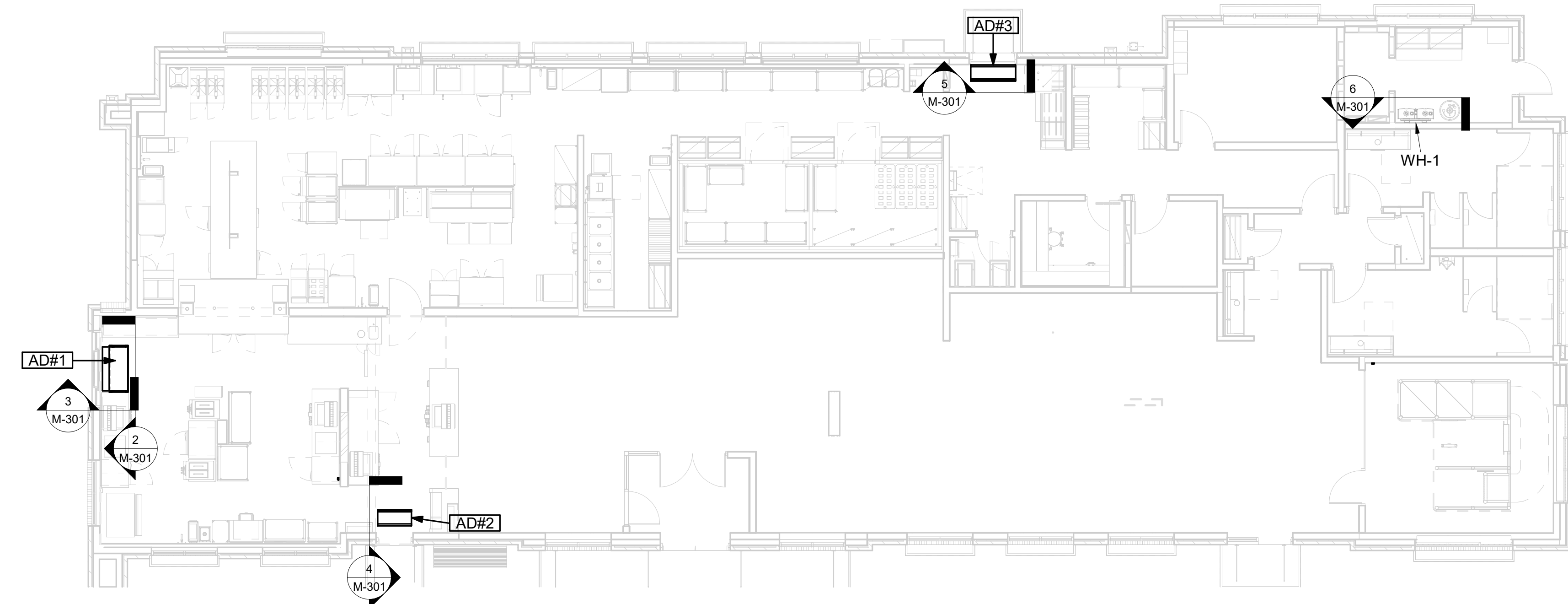
4 AD#2 SIDE VIEW  
3/4" = 1'-0"



5 AD#3 FRONT VIEW  
3/4" = 1'-0"



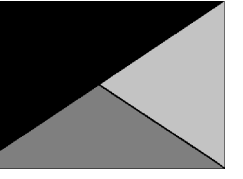
6 WATER HEATER GAS PIPING AND VENTING  
NOT TO SCALE



1 VARIOUS SECTIONS  
1/8" = 1'-0"



**Chick-fil-A**  
5200 Buffington Road  
Atlanta, Georgia  
30349-2998



**Kurzynske & Associates**  
2705 Lebanon Pike - Suite One  
Nashville, Tennessee 37214  
Telephone: (615) 255-5203



01/10/25

**CHICK-FIL-A**  
Johnny Cash Pkwy FSU  
264 East Main Street  
Hendersonville, TN 37075

**FSR#05708**

BUILDING TYPE / SIZE: P14 LE BN  
RELEASE: 23.09  
PRINTED FOR:  
CONSTRUCTION  
REVISION SCHEDULE

NO.	DATE	DESCRIPTION

CONSULTANT PROJECT # 24052.EH.S  
DATE 07/18/2024  
DRAWN BY BLM

Information contained on this drawing and in all digital files produced for above named project may not be reproduced in any manner without express written or verbal consent from authorized project representatives.

SHEET SECTIONS

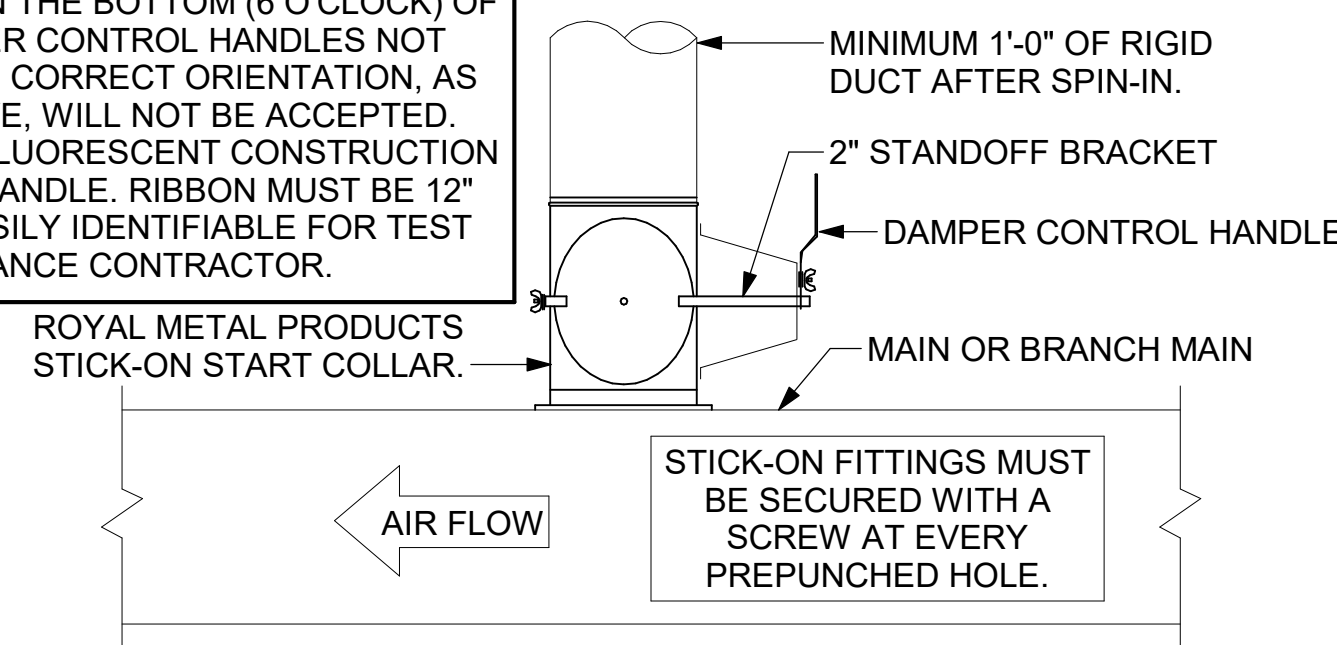
SHEET NUMBER

**M-301**

CHICK-FIL-A HAS A NATIONAL ACCOUNT WITH TOM BARROW COMPANY FOR THE ROYAL METAL PRODUCTS START COLLARS FOR BOTH WITH AND WITHOUT A MANUAL BALANCING DAMPER. THE MECHANICAL CONTRACTOR IS REQUIRED TO PURCHASE THE ROYAL METAL PRODUCTS START COLLARS DIRECTLY FROM TOM BARROW COMPANY. CONTACT MR. SCOTT GEORGE AT 404-351-1010 FOR PRICING AND AVAILABILITY. ROYAL METAL PRODUCTS START COLLARS NOT PURCHASED THRU TOM BARROW COMPANY WILL NOT BE ACCEPTED.

DAMPER CONTROL HANDLE MUST BE EXPOSED, AND DAMPER SHAFT MUST ALWAYS BE PARALLEL TO AIRFLOW IN DUCT MAIN. AS AN EXAMPLE, FOR HORIZONTAL TRUNK DUCT, HANDLE MUST BE LOCATED ON THE LEFT OR RIGHT (9 OR 3 O'CLOCK) OF COLLAR, AND FOR VERTICAL TRUNK DUCT, LOCATED ON THE BOTTOM (6 O'CLOCK) OF COLLAR. DAMPER CONTROL HANDLES NOT INSTALLED IN THE CORRECT ORIENTATION, AS SPECIFIED ABOVE, WILL NOT BE ACCEPTED. ATTACH YELLOW FLUORESCENT CONSTRUCTION RIBBON TO THE HANDLE. RIBBON MUST BE 12" LONG AND BE EASILY IDENTIFIABLE FOR TEST AND BALANCE CONTRACTOR.

DO NOT APPLY START COLLAR OVER DUCT WRAP

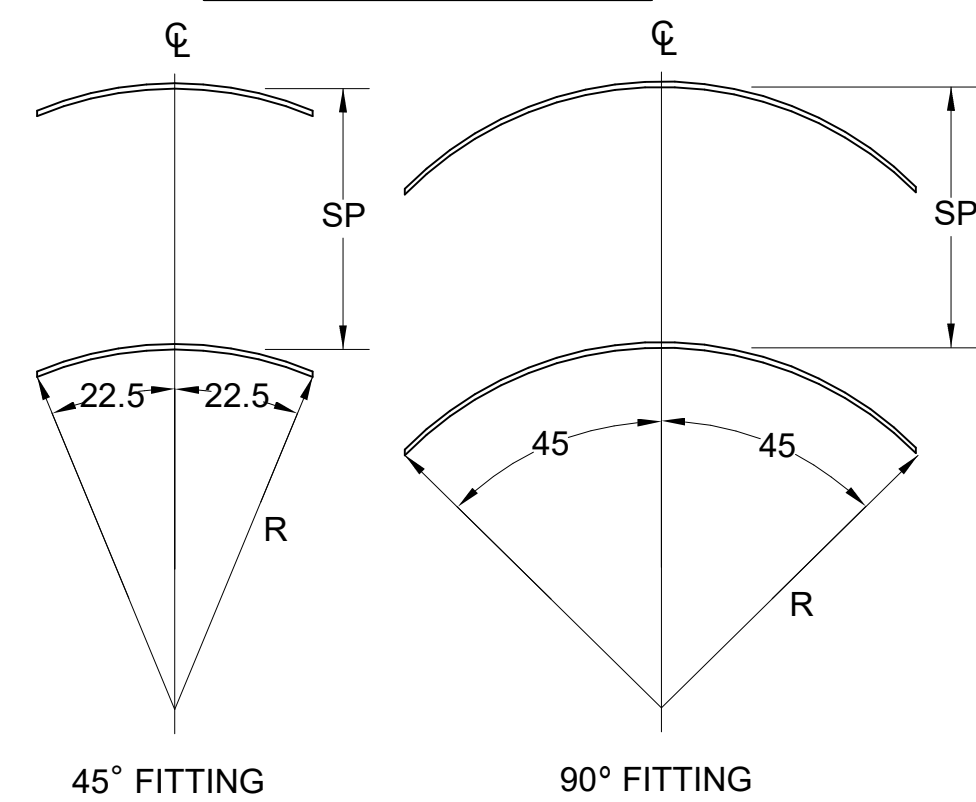


2 START COLLAR  
NOT TO SCALE

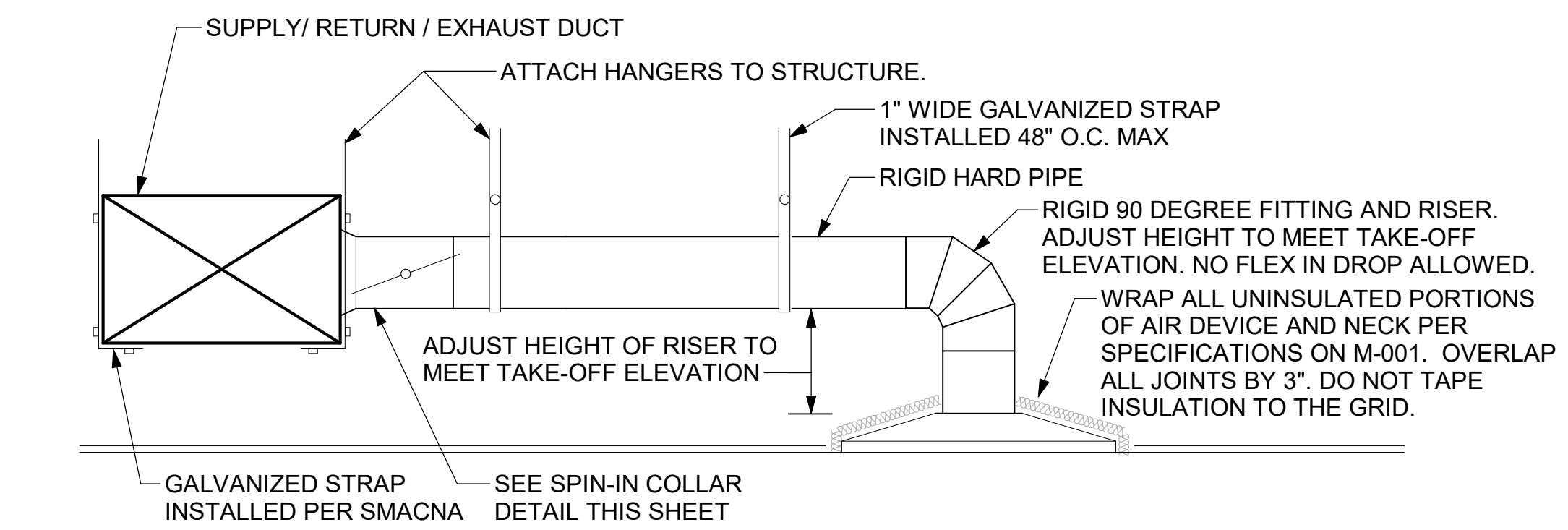
TURNING VANE SCHEDULE

R	SP	GA
2"	1.5"	24

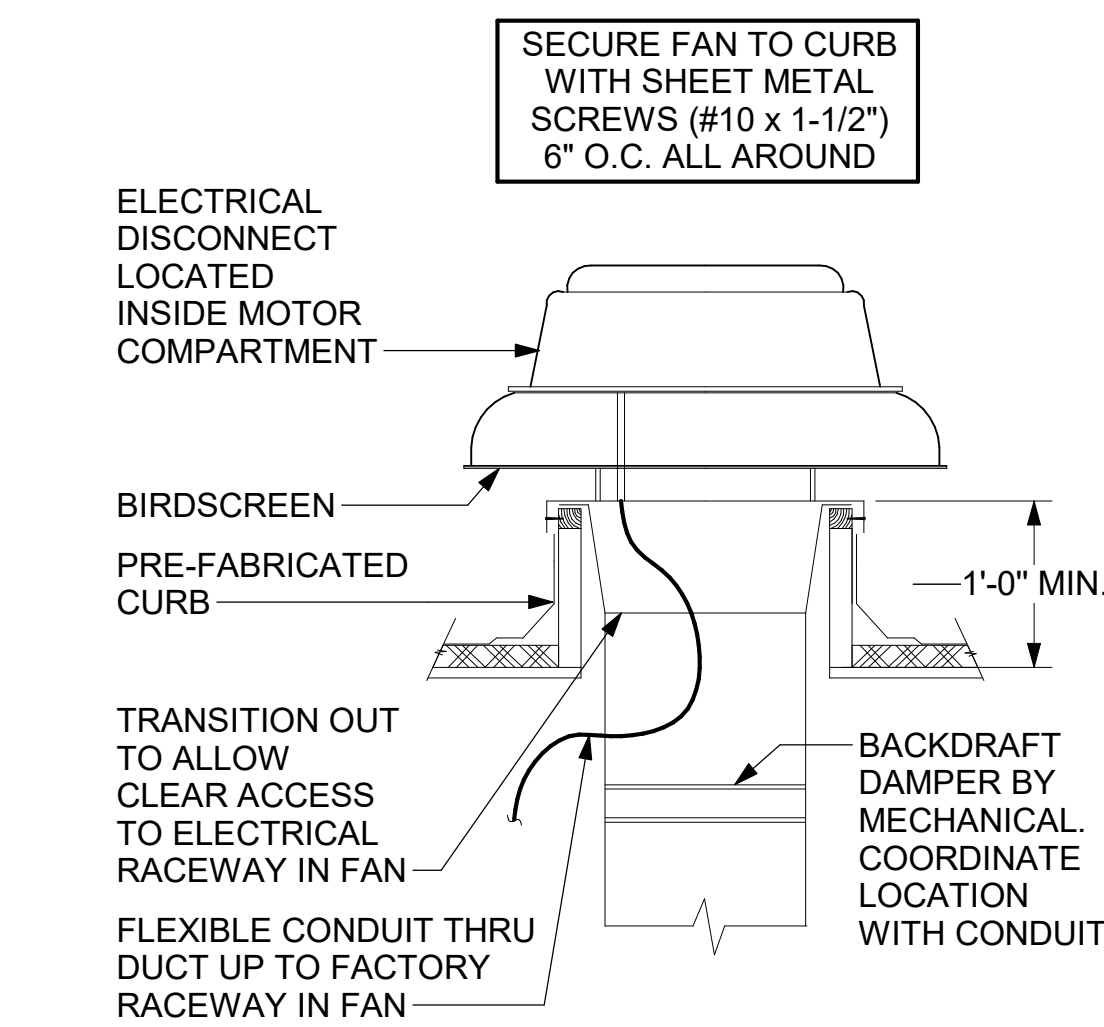
- NO TRAILING EDGE.
- SINGLE THICKNESS CONSTRUCTION.



4 TURNING VANES  
NOT TO SCALE

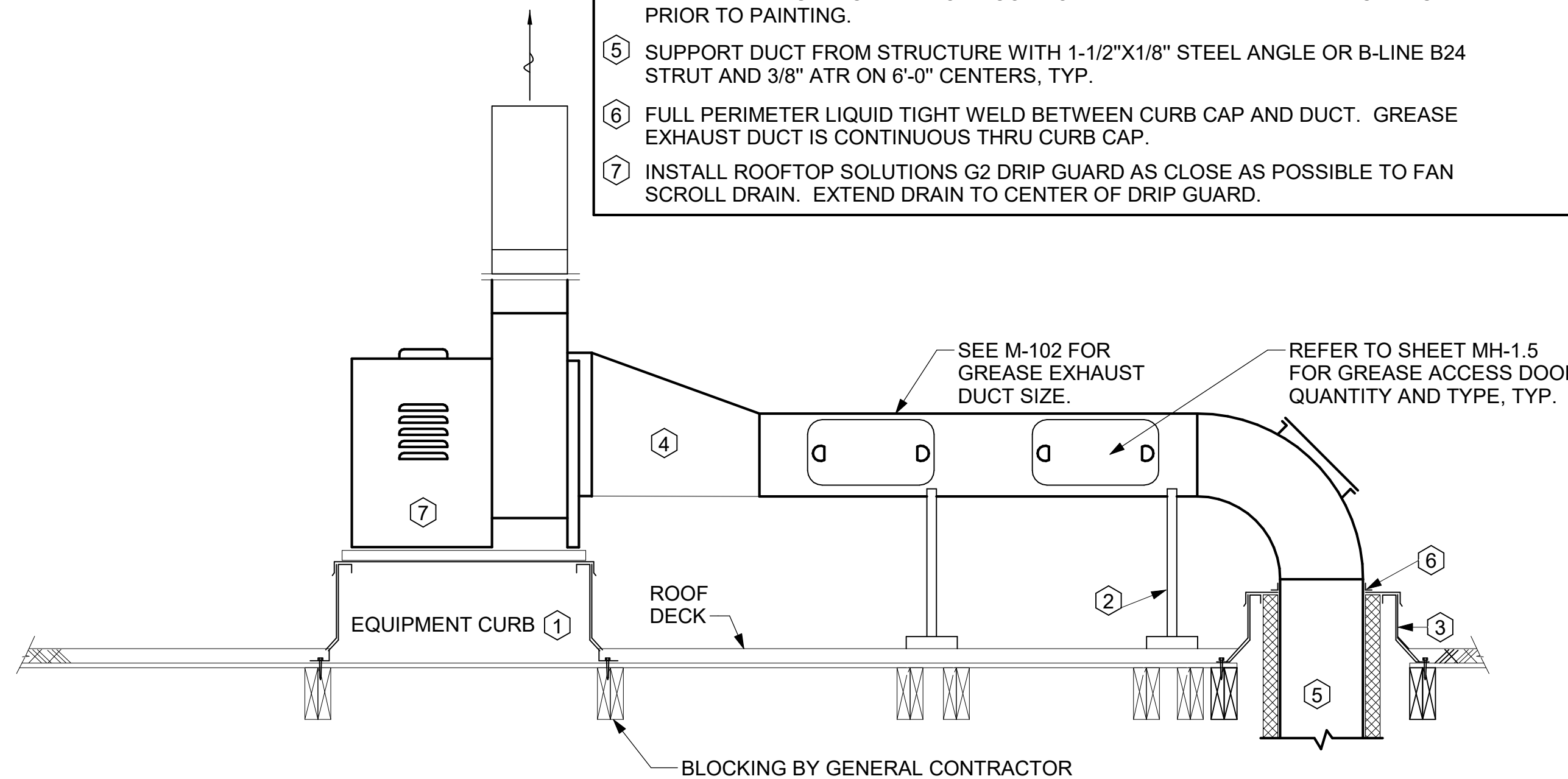


1 SAG/RAG/GRILLE TAKE-OFF  
NOT TO SCALE

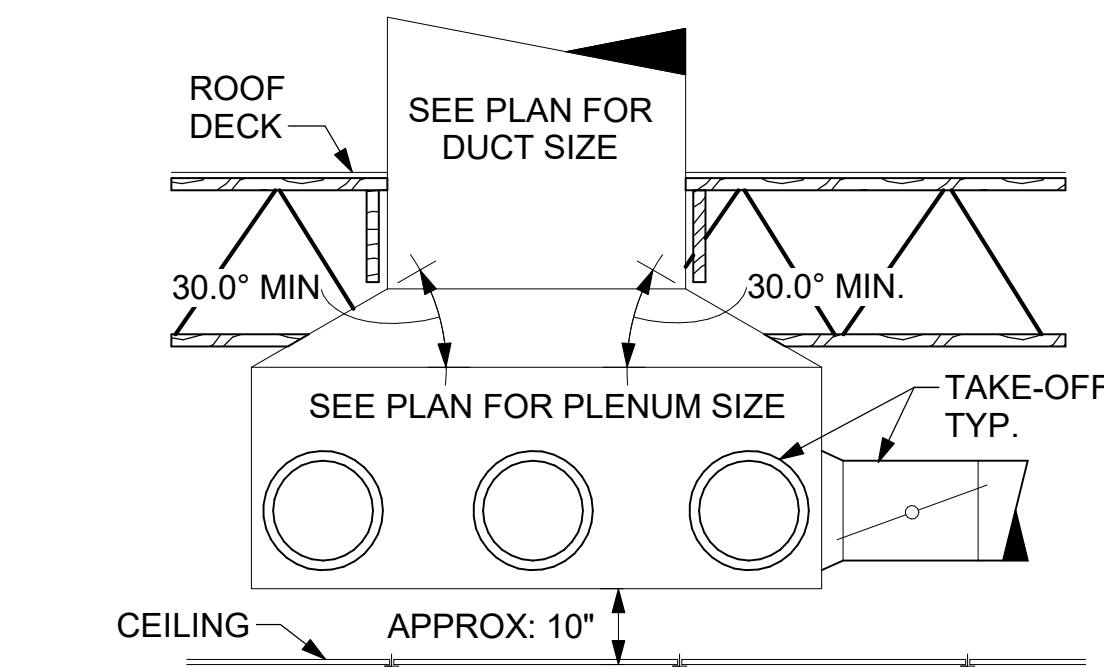


3 RESTROOM EXHAUST FAN  
NOT TO SCALE

- KEYED NOTES:
- 22" EQUIPMENT CURB FURNISHED BY HALTON.
  - DUCT SUPPORT SHALL BE PROVIDED EVERY 8', AND WITHIN 12" OF ANY FITTING OR WELD SEAM. SUPPORTS SHALL BE SECURELY ATTACHED TO THE STRUCTURE AND DESIGNED TO CARRY GRAVITY, WIND, AND SEISMIC LOADS PER CODE.
  - 12" HIGH INSULATED CURB FURNISHED BY HALTON. MECHANICAL CONTRACTOR TO PROVIDE MINIMUM 18 GA STAINLESS STEEL CURB CAP AND FLASHING.
  - ALL DUCTWORK AND UNFINISHED METAL ON ROOF EXCEPT STAINLESS SHALL BE PREPARED WITH TWO COATS OF SHERWIN WILLIAMS 866-200 SERIES DTM WHITE ACRYLIC SEMI-GLOSS INDUSTRIAL MAINTENANCE COATING. DEGREASE AND PRIME BARE METAL SURFACE WITH ONE COAT OF SHERWIN WILLIAMS DTM ACRYLIC PRIMER PRIOR TO PAINTING.
  - SUPPORT DUCT FROM STRUCTURE WITH 1-1/2"x1/8" STEEL ANGLE OR B-LINE B24 STRUT AND 3/8" ATR ON 6'-0" CENTERS, TYP.
  - FULL PERIMETER LIQUID TIGHT WELD BETWEEN CURB CAP AND DUCT. GREASE EXHAUST DUCT IS CONTINUOUS THRU CURB CAP.
  - INSTALL ROOFTOP SOLUTIONS G2 DRIP GUARD AS CLOSE AS POSSIBLE TO FAN SCROLL DRAIN. EXTEND DRAIN TO CENTER OF DRIP GUARD.



7 KITCHEN HOOD EXHAUST FANS  
NOT TO SCALE

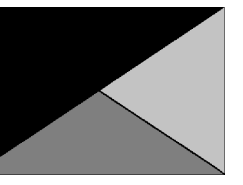


5 RETURN DROP GEOMETRY  
NOT TO SCALE



Chick-fil-A

Chick-fil-A  
5200 Buffington Road  
Atlanta, Georgia  
30349-2998



Kurzynske  
& Associates  
2705 Lebanon Pike - Suite One  
Nashville, Tennessee 37214  
Telephone: (615) 255-5203



01/10/25

**CHICK-FIL-A**  
Johnny Cash Pkwy FSU  
264 East Main Street  
Hendersonville, TN 37075

**FSR#05708**

BUILDING TYPE / SIZE: P14 LE BN  
RELEASE: 23.09  
PRINTED FOR:  
CONSTRUCTION  
REVISION SCHEDULE

NO.	DATE	DESCRIPTION

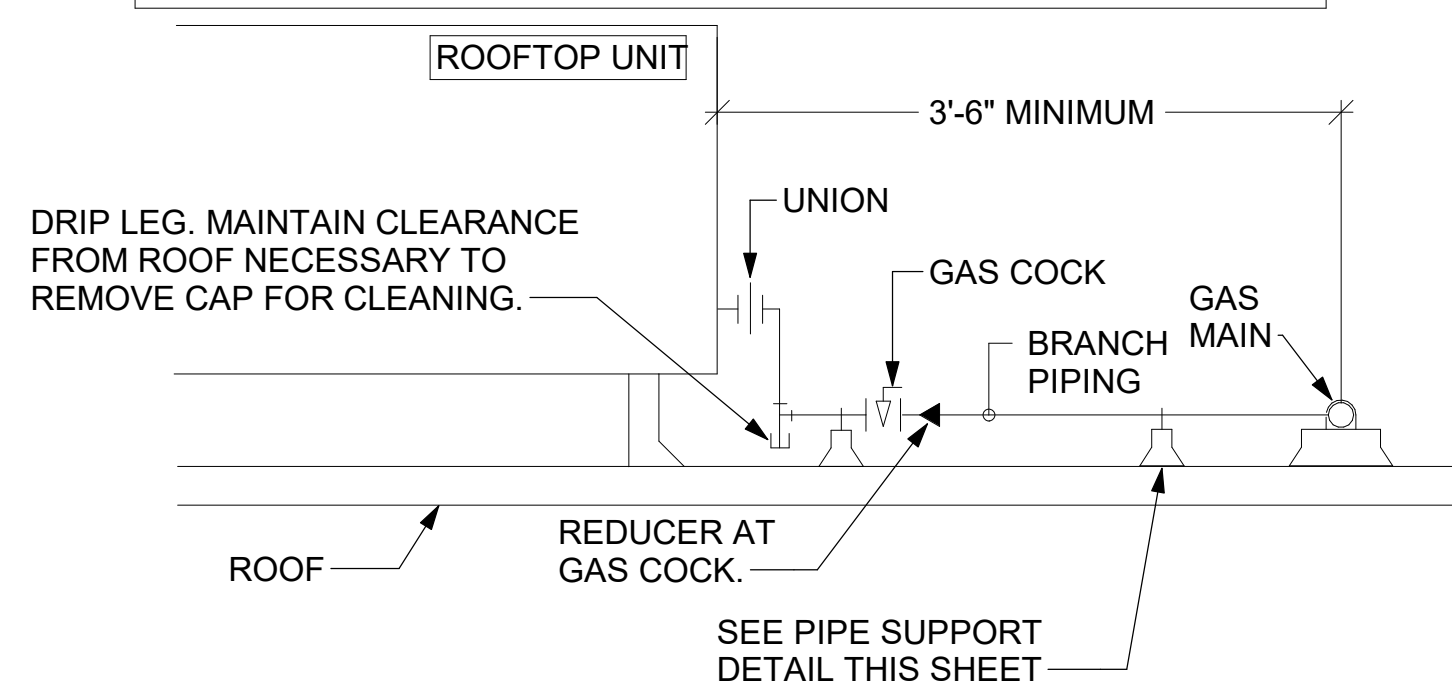
CONSULTANT PROJECT # 24052.EH.S  
DATE 07/18/2024  
DRAWN BY BLM

Information contained on this drawing and in all digital files produced for above named project may not be reproduced in any manner without express written or verbal consent from authorized project representatives.  
SHEET  
DETAILS

SHEET NUMBER

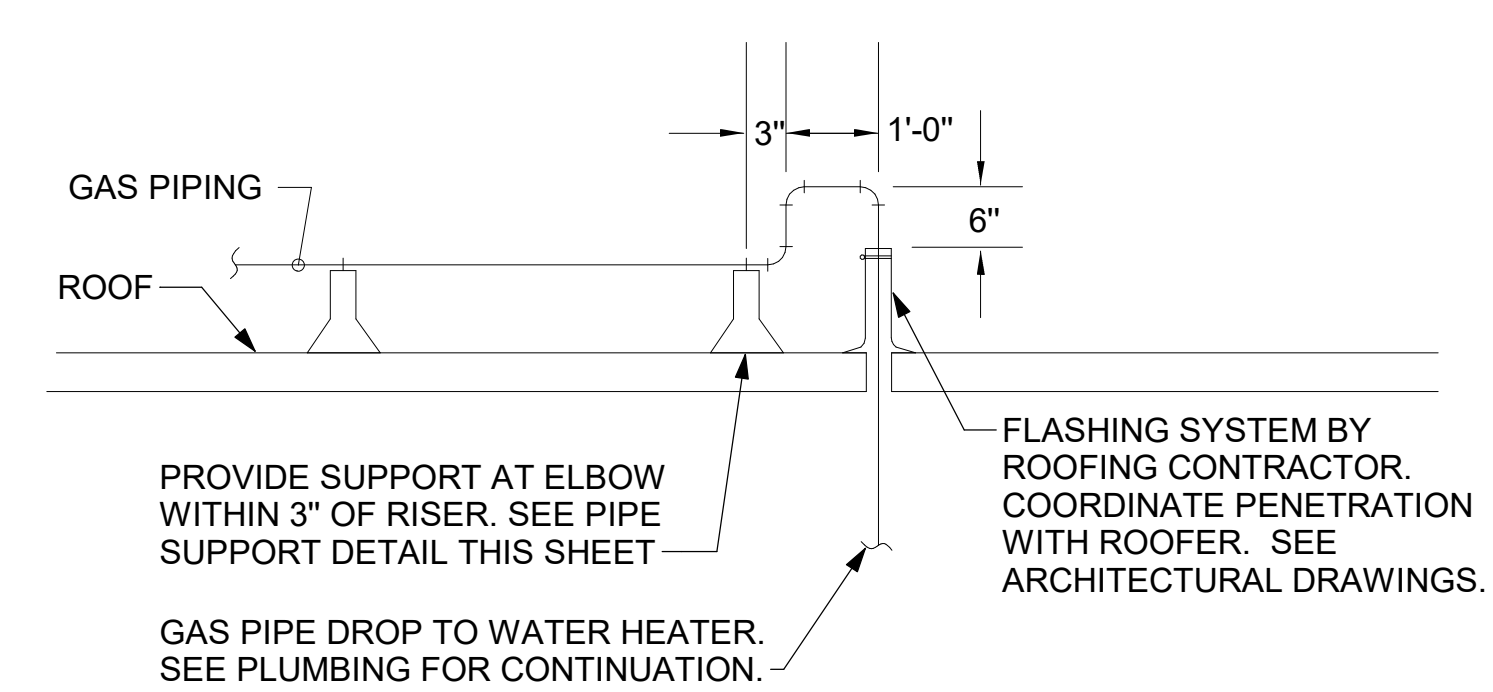
**M-501**

- NOTES:**
1. INSTALL GAS PIPING SUCH THAT HVAC EQUIPMENT ACCESS PANELS AND/OR DOORS ARE IN NO WAY OBSTRUCTED BY PIPING, VALVES, OR SUPPORTS.
  2. TO AVOID CONFLICT WITH AC UNIT ACCESS DOORS, INSTALL GAS PIPING NO CLOSER THAN 3'-6" FROM AC UNIT. (EXCEPT FOR BRANCH LINE CONNECTED TO AC UNIT.)
  3. ROUTE BRANCH TAKE-OFF DIRECTLY FROM MAIN TO ROOFTOP UNIT AS SHOWN ON PLAN AND DETAILS WITHOUT LATERAL OFFSETS WHICH MAY OBSTRUCT UNIT ACCESS DOORS.

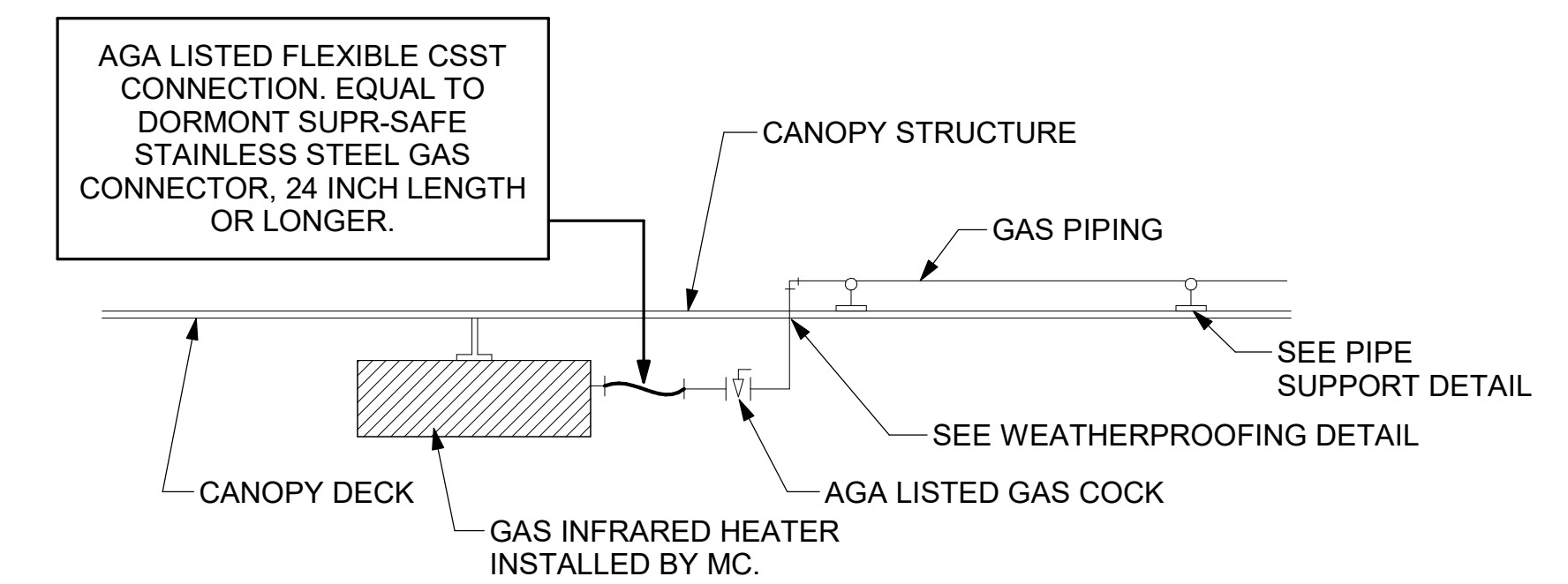


**3 GAS PIPING AT RTU**  
NOT TO SCALE

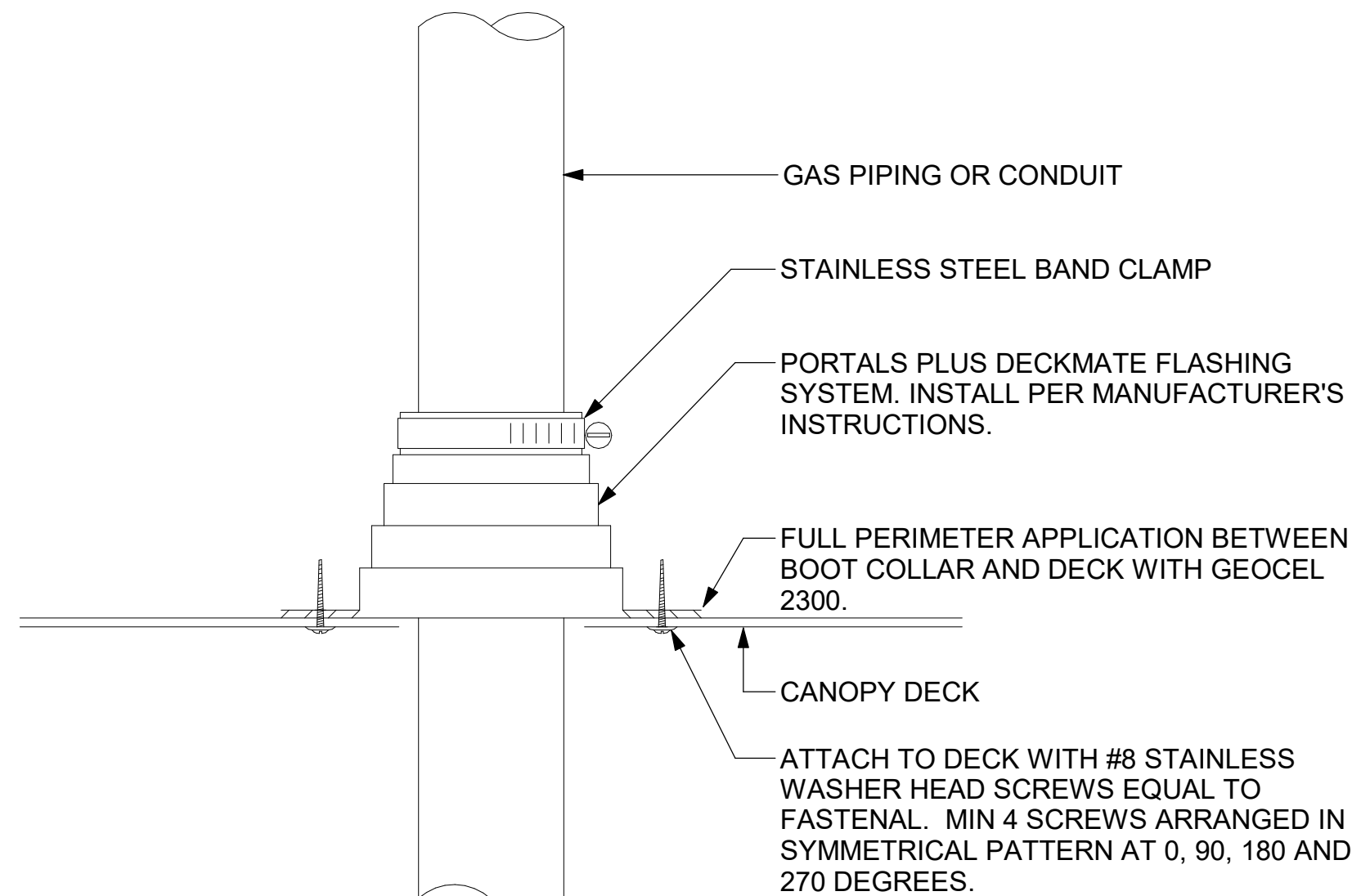
OFFSET PIPING A MINIMUM OF 6" ABOVE TOP EDGE OF FLASHING.



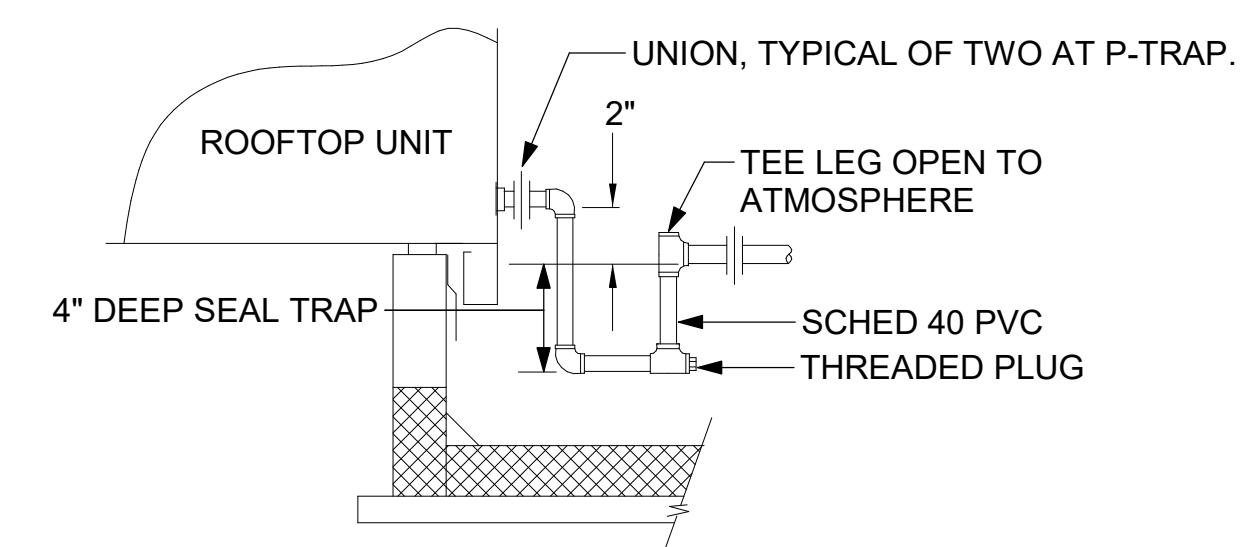
**2 GAS PIPE DROP TO WATER HEATER**  
NOT TO SCALE



**1 GAS CONNECTION AT APPLIANCE**  
NOT TO SCALE

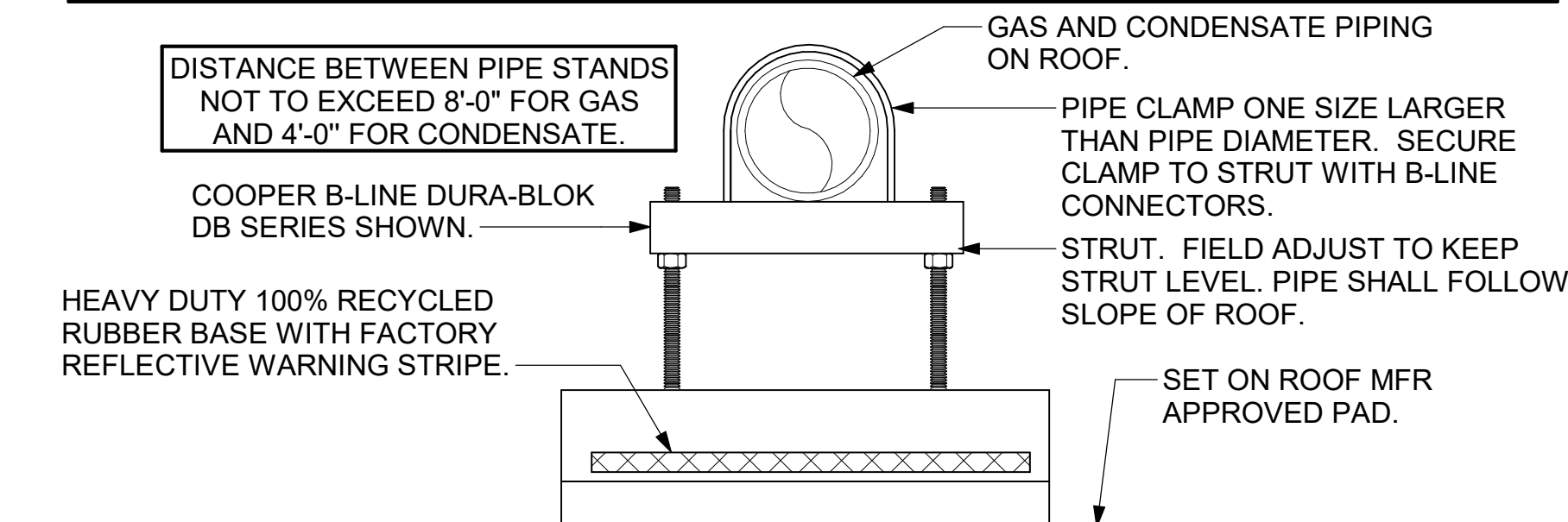


**6 WEATHERPROOFING AT CANOPY PENETRATION**  
NOT TO SCALE



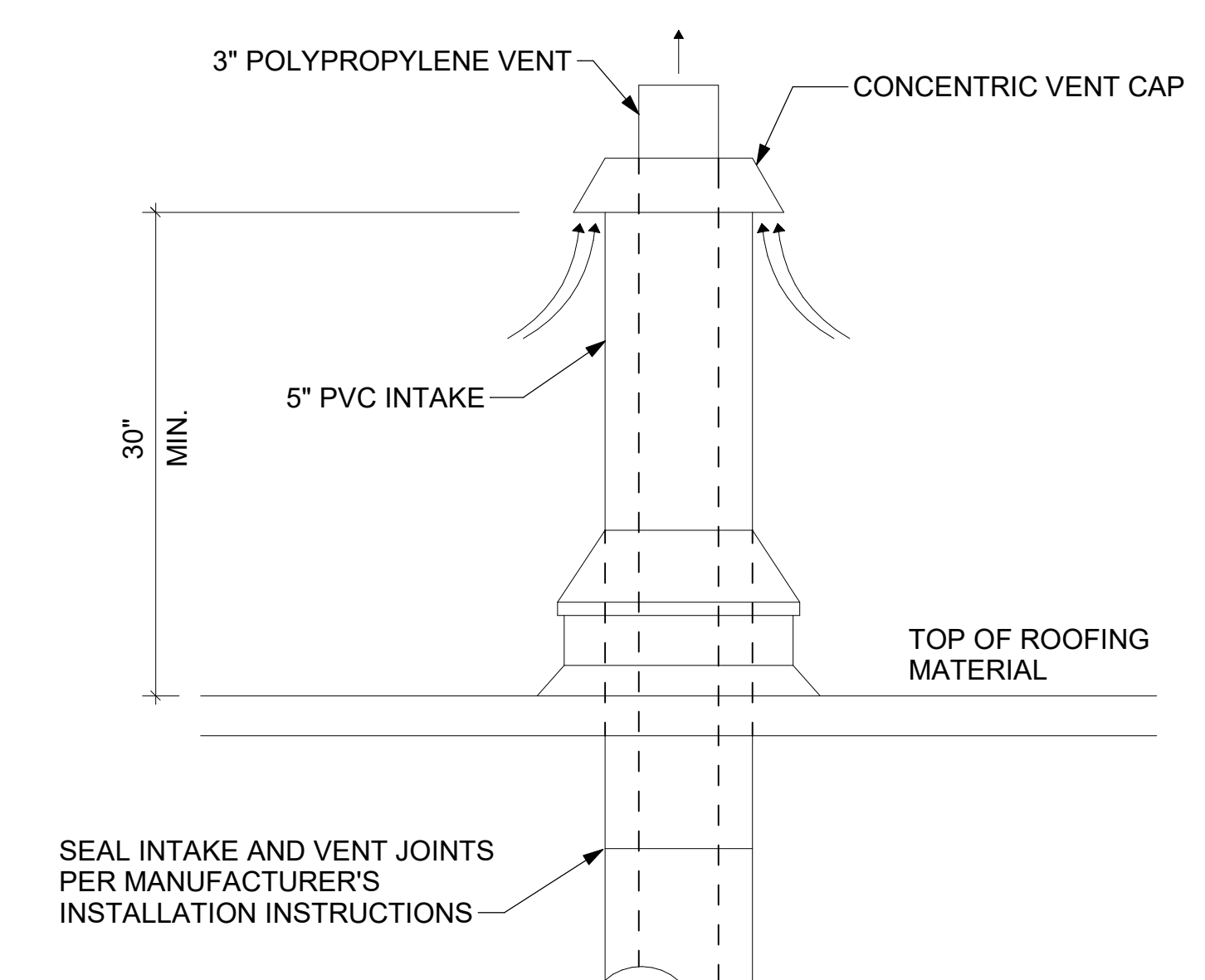
**5 CONDENSATE DRAIN PIPING**  
NOT TO SCALE

- NOTES:**
1. NON ADJUSTABLE MODEL DB610 PIPE STAND TO BE USED FOR NON-ELEVATED PIPING INSTALLED FLAT ON ROOF DECK.
  2. PROVIDE MODEL DBE 10-8 OR DBE 10-12 OR DBE 10-16 AS NEEDED FOR ELEVATING CONDENSATE PIPING TO MAINTAIN PROPER SLOPE AND FOR GAS PIPING CROSSING OVER CONDENSATE PIPING.
  3. ENSURE GAS AND CONDENSATE PIPING DO NOT OBSTRUCT ROOFTOP EQUIPMENT ACCESS OPENINGS. RE-PIPING OF SYSTEMS DUE TO CONFLICTS WITH EQUIPMENT ACCESS OPENINGS SHALL BE DONE AT PLUMBING CONTRACTOR'S EXPENSE.



**4 PIPING SUPPORT ON ROOF**  
NOT TO SCALE

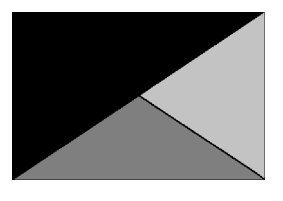
MINIMUM 10'-0" AWAY FROM OUTSIDE AIR INTAKE



**7 WATER HEATER VENT ROOF PENETRATION**  
NOT TO SCALE



**Chick-fil-A**  
5200 Buffington Road  
Atlanta, Georgia  
30349-2998



**Kurzynske & Associates**  
2705 Lebanon Pike - Suite One  
Nashville, Tennessee 37214  
Telephone: (615) 255-5203



**CHICK-FIL-A**  
Johnny Cash Pkwy FSU  
264 East Main Street  
Hendersonville, TN 37075

**FSR#05708**

BUILDING TYPE / SIZE: P14 LE BN  
RELEASE: 23.09  
PRINTED FOR:  
CONSTRUCTION

REVISION SCHEDULE		
NO.	DATE	DESCRIPTION

CONSULTANT PROJECT # 24052.EH.S  
DATE 07/18/2024  
DRAWN BY BLM

Information contained on this drawing and in all digital files produced for above named project may not be reproduced in any manner without express written or verbal consent from authorized project representatives.  
SHEET  
DETAILS

SHEET NUMBER  
**M-502**

### ROOFTOP UNIT SCHEDULE

MARK	TOTAL COOLING MBH	SENSIBLE COOLING MBH	HEATING INPUT MBH	HEATING OUTPUT MBH	SUPPLY (CFM)	OA (CFM)	HP	ESP (in-wg)	EER	IEER / SEER	VOLTAGE (V)	PHASE	MCA (A)	MOCP (A)	MODEL	MFR	REMARKS
AC#1	283.4	201.2	480	389	8,125	1,750	7.5	0.8	10.3	14.5	208	3	135	150	LGT300S4M	LENNOX	1,3,4,5,6,7,8,9,10,11,12,13,14,15
AC#2	143	100.1	240	194	4,375	550	3.75	0.8	10.8	14.6	208	3	64	80	LGT150H4E	LENNOX	1,3,4,5,6,7,8,9,10,11,12,13,14,15
AC#3	207	152.1	480	389	6,400	1,800	5	0.8	12	16	208	3	95	110	LGT210H4M	LENNOX	1,3,4,5,6,7,8,9,10,11,12,13,14,15
AC#4	61.3	48.2	108	87	1,750	425	1.5	0.8	12.7	17.1	208	3	25	35	LGT060H4E	LENNOX	2,3,4,5,6,7,8,9,10,11,12,13,14,15
AC#5	37	26.6	65	52	1,200	200	0.5	0.8	13.3	17.8	208	3	19	25	LGT036H4E	LENNOX	2,3,4,5,6,7,8,9,10,11,12,13,14,15

NOTES

- MECHANICAL CONTRACTOR TO VERIFY TRANE SUBMITTAL WITH CONSTRUCTION DOCUMENTS. NATIONAL ACCOUNTS - NO SUBSTITUTIONS PERMITTED - SEE DRAWING G-004.

REMARKS

- DIFFERENTIAL ENTHALPY ECONOMIZER WITH POWER EXHAUST.
- DIFFERENTIAL ENTHALPY ECONOMIZER WITH BAROMETRIC EXHAUST.
- 14" HIGH ROOF CURB.
- SEE DETAIL 2/M-701 FOR SETTING OF CONTROL PARAMETERS BY MC.
- FACTORY INSTALLED 115V GFI SERVICE OUTLET. SEPERATE 115V CIRCUIT PROVIDED BY ELECTRICAL CONTRACTOR.
- FACTORY INSTALLED RETURN AIR SMOKE DETECTOR.
- FACTORY INSTALLED NON-FUSED DISCONNECT.
- 2" MERV 8 THROW AWAY FILTERS.
- HINGED PANELS FOR ACCESS TO FILTER(S), FAN BLOWER & MOTOR, COMPRESSOR(S) ACCESS AND CONTROLS.
- FACTORY INSTALLED COIL HAIL GUARD.
- HOT GAS DEHUMIDIFICATION OPTION WITH WALL MOUNTED HUMIDITY SENSOR.
- FACTORY PROVIDED, FIELD INSTALLED BELT TENSIONER.
- FACTORY CONFIGURED PHASE LOSS PROTECTION.
- FACTORY INSTALLED CONDENSATE PAN DRAIN OVERFLOW SWITCH.
- PROVIDE FACTORY HIGH FAULT (100K) SCCR.

### HOOD SCHEDULE

MARK	EXHAUST CFM	SP @ TAB PORT (in-wg)	CAPTURE JET CFM & S.P.	TYPE	COLLAR SIZE	WIDTH	DEPTH	HEIGHT	MANUFACTURER	MODEL	REMARKS
HOOD#1L	1,204	0.13	80 @ 0.30"	BACKSHELF	14"x8"	107"	37"	38"	HALTON	KVL-2 IC	1
HOOD#1R	709	0.13	47 @ 0.30"	BACKSHELF	8"x8"	63"	37"	38"	HALTON	KVL-2 IC	1
HOOD#2	701	0.3	30 @ 0.29"	BACKSHELF	8"x8"	45"	34"	38"	HALTON	KVL-C IC	1
HOOD#3	701	0.3	30 @ 0.29"	BACKSHELF	8"x8"	42"	34"	38"	HALTON	KVL-C IC	1

NOTES

DIMENSIONS OF HOODS INCLUDE BACK AND SIDE SPACERS (HEIGHT DOES NOT INCLUDE CLOSURE PANELS). NATIONAL ACCOUNTS - NO SUBSTITUTIONS PERMITTED - SEE DRAWING G-004.

REMARKS

- REFER TO HOOD SHOP DRAWINGS FOR HOOD CONSTRUCTION AND OPTIONS. HOOD SHOP DRAWINGS ARE INCLUDED FOR REFERENCE ON SHEETS MH-1.1 AND MH-1.2.

### HEATER SCHEDULE

MARK	HEATING INPUT		FRAME LENGTH	FRAME WIDTH	FRAME DEPTH	MOUNTING TYPE	VOLTAGE (V)	PHASE	FLA (A)	MOCP (A)	MODEL	MFR	REMARKS
	ELECTRIC (KW)	GAS (MBH)											
EIH#1	6.00	0.0	56"	8.5"	3.5"	WALL BRACKET	208	1	28.9	40	BH0420035	BROMIC	1,2,3,4
IRH	0.00	50.0	48"	13.4"	9.5"	BRACKET	120	1	0.4	15	WB50-N7-CM	SPACE RAY	5,6,7

NOTES

- NATIONAL ACCOUNT NO SUBSTITUTIONS PERMITTED - SEE DRAWING G-004.
- CONFIRM HEATER QUANTITY WITH CANOPY SHOP DRAWINGS.

REMARKS

- STAINLESS STEEL LENS WITH BLACK EMISSIVE COATING.
- PROVIDE ENGRAVED PLASTIC LABEL AT EACH UNIT WITH UNIT DESIGNATION IN 1" HIGH WHITE LETTERS ON A BLACK BACKGROUND.
- PROVIDE BLACK HEATER WITH HIGH TEMPERATURE COATING, AND MANUFACTURER MOUNTING BRACKETS.
- NOT USED.
- STEEL BURNER WITH CERAMIC BURNER TILES.
- PROVIDE ENGRAVED PLASTIC LABEL AT EACH UNIT WITH UNIT DESIGNATION IN 1" HIGH WHITE LETTERS ON A BLACK BACKGROUND. MOUNT TO CANOPY DECK, FACING FORWARD, 12" Laterally from the long side of the heater.
- FACTORY PROVIDED HEAT SHIELD.

### FAN SCHEDULE

MARK	FAN CFM	ESP (in-wg)	MOTOR RPM	HP	AREA SERVED	VOLTAGE (V)	PHASE	FLA (A)	MOCP (A)	MODEL	MFR	REMARKS
CF#1	1,900	0.010	1,625	0.100	OUTDOOR CANOPY	120	1	1.1	20	U-18-TE-HD	TPI	20,21,22
EF#1	1,913	0.750	1,331	0.750	HOOD#1	120	1	12.8	25	KEFB-14-CFA	HALTON	1,2,3,4,5,6,7,8,9,10,11
EF#2	1,402	0.950	1,199	0.750	HOOD#2 & HOOD#3	120	1	12.8	25	KEFB-14-CFA	HALTON	1,2,3,4,5,6,7,8,9,10,11
EF#3	300	0.375	1,550	0.125	RESTROOMS	120	1	2.2	20	XRED-09S-VG	ACCUREX	1,3,11,12,13,14,15,16
TF#1	450	0.300	1,144	0.127	TECH CLOSET	120	1	2.5	20	SP-A510-VG	GREENHECK	1,17,18,19

NOTES

- NATIONAL ACCOUNT - NO SUBSTITUTIONS PERMITTED.

REMARKS

- FANS SUPPLIED BY HALTON.
- U.L. 705 LISTED AND LABELED FOR RESTAURANT APPLICATIONS.
- FACTORY INSTALLED PREWIRED DISCONNECT SWITCH.
- 19" HIGH ROOF CURB..
- INSTALL ROOFTOP SOLUTIONS G2 DRIP GUARD. MECHANICAL CONTRACTOR TO CONTACT ROOFTOP SOLUTIONS AT 800-913-7034.
- FACTORY WEATHER HOUSING W/ HINGED ACCESS DOOR.
- FACTORY DRAIN CONNECTION.
- FACTORY BOLTED ACCESS DOOR ON SCROLL.
- FACTORY INSTALLED BELT DRIVE WITH ADJUSTABLE MOTOR SHEAVE, SPARE BELT, AND BELT TENSIONER.
- FACTORY INSTALLED OUTLET WITH QUICK RELEASE, HINGED ACCESS, AND GRAVITY BACKDRAFT DAMPER.
- INTEGRAL THERMAL OVERLOAD.
- BIRDSCREEN.
- BACKDRAFT DAMPER IN DUCT BY MECHANICAL CONTRACTOR AS SHOWN ON 5/M-501.
- STARTER BY ELECTRICAL CONTRACTOR. INTERLOCK WITH LIGHTS BY ELECTRICAL CONTRACTOR.
- 12" HIGH CURB.
- FACTORY INSTALLED AND WIRED SPEED CONTROLLER.
- PROVIDE NEMA 1 PREWIRED DISCONNECT.
- INTEGRAL POTENTIOMETER ON FAN MOTOR. SET TO FULL SPEED.
- PROVIDE THERMOSTAT THERMOSTAT / TEMPERATURE CONTROLLER. SET TO 76°F.
- INSTALL PER MANUFACTURER'S RECOMMENDATIONS.
- PROVIDE WITH ON/OFF SWITCH.
- FAN SUPPLIED BY TOM BARROW.

### AIR DOOR SCHEDULE

MARK	CFM	VELOCITY (FPM)	HEATING (KW)	MOTOR HP	MCA (A)	MOCP (A)	VOLTAGE (V)	PHASE	AREA SERVED	MODEL	MANUFACTURER	REMARKS
AD#1	1,543	2,338	10	0.75	31.4	40	208	3	DRIVE THRU	CHA-1-48E	POWERED AIRE	1,2,3,5
AD#2	1,401	2,060	0	0.75	8	20	120	1	REAR DOOR	ETA-1-36	POWERED AIRE	4,6
AD#3	3,867	4,218	0	0.75	8	20	120	1	REAR DOOR	RBT-1-48	POWERED AIRE	4

NOTES

- NATIONAL ACCOUNT - NO SUBSTITUTIONS PERMITTED - SEE DRAWING G-004

REMARKS

- FACTORY PROVIDED, WIRED, AND UNIT MOUNTED SPEED CONTROLLER ABOVE CEILING.
- FACTORY WIRED DISCONNECT.
- FACTORY PROVIDED, FIELD INSTALLED BY MC. REMOTE WALL SWITCHES FOR HEATING ON/OFF AND FAN ON/AUTO SWITCH. SEE DETAILS ON M-701.
- FACTORY PROVIDED MAGNETIC DOOR CONTACT WITH FACTORY INSTALLED LOW VOLTAGE CONTROLS LOCATED IN AIR DOOR CABINET.
- PROVIDE WITH A DIVERTER BOX. PROVIDE WITH MOUNTING BRACKETS PER MANUFACTURER'S RECOMMENDATIONS.
- PROVIDE WITH NOZZLE EXTENSION, SEE DETAIL 4/M-301.

### AIR DEVICE SCHEDULE

MARK	DESCRIPTION	LOCATION	NECK SIZE	FACE SIZE	FRAME TYPE	REMARKS
A	PRICE MODEL APDC ALUMINUM SUPPLY AIR DIFFUSER WITH INDIVIDUALLY ADJUSTABLE CURVED AIR PATTERN CONTROLLERS.	DINING / KITCHEN	VARIES	24"x24"	LAY-IN	1,7
B	VARITHERM PLAQUE DIFFUSER	OFFICE	8"	24"x24"	LAY-IN	1,7,8
C	PRICE MODEL SMCD STEEL SUPPLY AIR DIFFUSER FIELD ADJUSTABLE AIR PATTERN CONTROLLERS.	ENTRY	14"x14"	16"x16"	BEVELLED	1,3,5,6
D	PRICE MODEL APDC ALUMINUM SUPPLY AIR DIFFUSER WITH INDIVIDUALLY ADJUSTABLE CURVED AIR PATTERN CONTROLLERS.	SERVING	VARIES	16"x16"	SURFACE	1,3,5,6
E	PRICE MODEL 22 DOUBLE DEFLECTION ALUMINUM SIDEWALL SUPPLY GRILLE, FRONT BLADE PARALLEL TO LONG SIDE.	PLAY AREA	16"x10"	18"x12"	SURFACE	1
F	PRICE MODEL 80 EGGCRATE RETURN AIR GRILLE WITH REMOVABLE WHITE CORE, FACTORY FLAT BLACK BACKPAN AND ROUND NECK.	DINING / KITCHEN / MFA	24"x24"	24"x24"	LAY-IN	1,7
FF	PRICE MODEL 80FF STEEL FILTER RETURN AIR GRILLE WITH REMOVABLE WHITE CORE, FACTORY FLAT BLACK BACKPAN AND 2" FILTER FRAME.	MFA	18"x18"	24"x24"	LAY-IN	1
J	PRICE MODEL SMCD STEEL SUPPLY AIR DIFFUSER FIELD ADJUSTABLE AIR PATTERN CONTROLLERS.	RESTROOMS	VARIES	10"x10"	BEVELLED	1,2,3,5,6
K	PRICE MODEL APDDR ALUMINUM PERFORATED FACE RETURN AIR GRILLE.	RESTROOMS / ENTRY	14"x14"	16"x16"	SURFACE	1,4,5,6
L	PRICE MODEL 21 ALUMINUM SIDEWALL RETURN GRILLE, FRONT BLADE PARALLEL TO LONG SIDE.	PLAY AREA	12"x12"	14"x14"	SURFACE	1

NOTES

- NATIONAL ACCOUNT - NO SUBSTITUTIONS PERMITTED - SEE DRAWING G-004

REMARKS

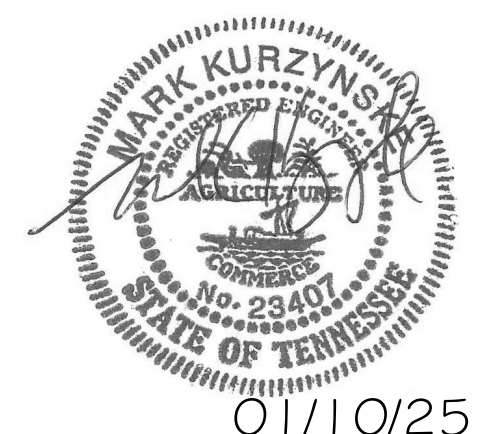
- STANDARD OFF WHITE FINISH.
- PROVIDE MODEL VCS3 NECK DAMPER.
- SEE DRAWING M-101 FOR THROW.
- PROVIDE MODEL VCR7 NECK DAMPER ON GRILLES IN RESTROOMS SERVING EXHAUST FAN.
- PROVIDE BACKPAN. MC TO SEAL JOINTS WITH MASTIC AND INSULATE EXTERNALLY.
- FIELD INSULATE BACKPAN AS SHOWN ON DETAIL 1/M-501.
- FACTORY INSULATED R-6 BACKPAN.
- PROVIDE RELIEF COLLAR ACCESSORY FOR VAV DIFFUSER.



**Chick-fil-A**  
 5200 Buffington Road  
 Atlanta, Georgia  
 30349-2998



**Kurzynske & Associates**  
 2705 Lebanon Pike - Suite One  
 Nashville, Tennessee 37214  
 Telephone: (615) 255-5203



01/10/25

**CHICK-FIL-A**  
 Johnny Cash Pkwy FSU  
 264 East Main Street  
 Hendersonville, TN 37075

**FSR#05708**

BUILDING TYPE / SIZE: P14 LE BN  
 RELEASE: 23.09  
 PRINTED FOR: CONSTRUCTION  
 REVISION SCHEDULE

NO.	DATE	DESCRIPTION

CONSULTANT PROJECT # 24052.EH.S  
 DATE 07/18/2024  
 DRAWN BY BLM

Information contained on this drawing and in all digital files produced for above named project may not be reproduced in any manner without express written or verbal consent from authorized project representatives.  
 SHEET  
 EQUIPMENT SCHEDULES

SHEET NUMBER **M-601**

### VENTILATION SCHEDULE

General		Ventilation													Exhaust					Served by		
Room #	Room Name	Area A <sub>s</sub> ft <sup>2</sup>	People			Area					Primary Zone Airflow CFM V <sub>z</sub>	Primary Outdoor Air Fraction Z <sub>p</sub>	Actual Outdoor Airflow CFM	Area		Toilet			Supply	Exhaust		
			Occupant Density People/1,000 ft <sup>2</sup>	Occupants People P <sub>e</sub>	Outdoor Airflow Rate CFM/Person R <sub>p</sub>	Outdoor Airflow CFM P <sub>e</sub> x R <sub>p</sub>	Outdoor Airflow Rate CFM/ft <sup>2</sup> R <sub>a</sub>	Outdoor Airflow CFM A <sub>s</sub> x R <sub>a</sub>	Breathing Zone Outdoor Airflow CFM V <sub>bz</sub>	Zone Air Distribution Effectiveness E <sub>z</sub>				Zone Outdoor Airflow CFM V <sub>z</sub>	Required Exhaust Rate CFM/ft <sup>2</sup>	Total Required Exhaust CFM	Exhaust Control/Operation	Fixture Exhaust Rate CFM/Fixture			Required Fixture Exhaust CFM	Actual Exhaust CFM
1	Kitchen	880	20	18	7.5	135	0.12	106	241	0.8	301	7,325	0.04	1,578	0.70	616	-	-	-	3,315	AC#1 / ALT AC#1	EF-1 / EF-2
2	Kitchen (Dish Washing)	128	15	2	7.5	15	0.18	23	38	0.8	48	800	0.06	172	-	-	-	-	-	-	AC#1 / ALT AC#1	-
<b>Total Area</b>		<b>1,008</b>				<b>Total V<sub>bz</sub></b>			<b>279</b>	<b>Total Supply Airflow</b>			<b>8,125</b>	<b>Actual Outdoor Airflow</b>								
						<b>Diversity (D)</b>			<b>1.00</b>	<b>Maximum Zp</b>			<b>0.06</b>									
						<b>Uncorrected Outdoor Air Intake (V<sub>un</sub>)</b>			<b>279</b>	<b>System Ventilation Efficiency (E<sub>s</sub>)</b>			<b>1.00</b>									
						<b>Required Outdoor Air Intake (CFM)</b>			<b>278</b>													

### VENTILATION SCHEDULE

General		Ventilation													Exhaust					Served by		
Room #	Room Name	Area A <sub>s</sub> ft <sup>2</sup>	People			Area					Primary Zone Airflow CFM V <sub>z</sub>	Primary Outdoor Air Fraction Z <sub>p</sub>	Actual Outdoor Airflow CFM	Area		Toilet			Supply	Exhaust		
			Occupant Density People/1,000 ft <sup>2</sup>	Occupants People P <sub>e</sub>	Outdoor Airflow Rate CFM/Person R <sub>p</sub>	Outdoor Airflow CFM P <sub>e</sub> x R <sub>p</sub>	Outdoor Airflow Rate CFM/ft <sup>2</sup> R <sub>a</sub>	Outdoor Airflow CFM A <sub>s</sub> x R <sub>a</sub>	Breathing Zone Outdoor Airflow CFM V <sub>bz</sub>	Zone Air Distribution Effectiveness E <sub>z</sub>				Zone Outdoor Airflow CFM V <sub>z</sub>	Required Exhaust Rate CFM/ft <sup>2</sup>	Total Required Exhaust CFM	Exhaust Control/Operation	Fixture Exhaust Rate CFM/Fixture			Required Fixture Exhaust CFM	Actual Exhaust CFM
5	Meal Fulfillment Area	460	15	7	7.5	52.5	0.18	83	135	0.8	170	4,375	0.04	550	-	-	-	-	-	-	AC#2 / ALT AC#2	-
<b>Total Area</b>		<b>460</b>				<b>Total V<sub>bz</sub></b>			<b>135</b>	<b>Total Supply Airflow</b>			<b>4,375</b>	<b>Actual Outdoor Airflow</b>								
						<b>Diversity (D)</b>			<b>1.00</b>	<b>Maximum Zp</b>			<b>0.03</b>									
						<b>Uncorrected Outdoor Air Intake (V<sub>un</sub>)</b>			<b>135</b>	<b>System Ventilation Efficiency (E<sub>s</sub>)</b>			<b>1.00</b>									
						<b>Required Outdoor Air Intake (CFM)</b>			<b>135</b>													

### VENTILATION SCHEDULE

General		Ventilation													Exhaust					Served by		
Room #	Room Name	Area A <sub>s</sub> ft <sup>2</sup>	People			Area					Primary Zone Airflow CFM V <sub>z</sub>	Primary Outdoor Air Fraction Z <sub>p</sub>	Actual Outdoor Airflow CFM	Area		Toilet			Supply	Exhaust		
			Occupant Density People/1,000 ft <sup>2</sup>	Occupants People P <sub>e</sub>	Outdoor Airflow Rate CFM/Person R <sub>p</sub>	Outdoor Airflow CFM P <sub>e</sub> x R <sub>p</sub>	Outdoor Airflow Rate CFM/ft <sup>2</sup> R <sub>a</sub>	Outdoor Airflow CFM A <sub>s</sub> x R <sub>a</sub>	Breathing Zone Outdoor Airflow CFM V <sub>bz</sub>	Zone Air Distribution Effectiveness E <sub>z</sub>				Zone Outdoor Airflow CFM V <sub>z</sub>	Required Exhaust Rate CFM/ft <sup>2</sup>	Total Required Exhaust CFM	Exhaust Control/Operation	Fixture Exhaust Rate CFM/Fixture			Required Fixture Exhaust CFM	Actual Exhaust CFM
1	Dining	1,313	70	92	7.5	690	0.18	236	926	0.8	1,158	4,075	0.284	1,140	-	-	-	-	-	-	AC#3 / ALT AC#3	-
2	Serving	646	15	10	7.5	75	0.18	116	191	0.8	240	1,625	0.15	457	-	-	-	-	-	-	AC#3 / ALT AC#3	-
3	Men's RR	166	-	-	-	-	-	-	-	0.8	125	-	-	35	-	-	Continuous	50	100	150	AC#3 / ALT AC#3	EF-3
4	Women's RR	150	-	-	-	-	-	-	-	0.8	125	-	-	35	-	-	Continuous	50	100	150	AC#3 / ALT AC#3	EF-3
5	RR Vestibule	68	-	-	-	-	0.06	4	4	0.8	6	50	0.10	14	-	-	-	-	-	-	AC#3 / ALT AC#3	-
6	Entry Vestibule	75	-	-	-	-	0.06	5	5	0.8	6	400	0.01	113	-	-	-	-	-	-	AC#3 / ALT AC#3	-
<b>Total Area</b>		<b>2,418</b>				<b>Total V<sub>bz</sub></b>			<b>1,126</b>	<b>Total Supply Airflow</b>			<b>6,400</b>	<b>Actual Outdoor Airflow</b>								
						<b>Diversity (D)</b>			<b>0.73</b>	<b>Maximum Zp</b>			<b>0.284</b>									
						<b>Uncorrected Outdoor Air Intake (V<sub>un</sub>)</b>			<b>1,027</b>	<b>System Ventilation Efficiency (E<sub>s</sub>)</b>			<b>0.80</b>									
						<b>Required Outdoor Air Intake (CFM)</b>			<b>1,283</b>													

### VENTILATION SCHEDULE

General		Ventilation													Exhaust					Served by		
Room #	Room Name	Area A <sub>s</sub> ft <sup>2</sup>	People			Area					Primary Zone Airflow CFM V <sub>z</sub>	Primary Outdoor Air Fraction Z <sub>p</sub>	Actual Outdoor Airflow CFM	Area		Toilet			Supply	Exhaust		
			Occupant Density People/1,000 ft <sup>2</sup>	Occupants People P <sub>e</sub>	Outdoor Airflow Rate CFM/Person R <sub>p</sub>	Outdoor Airflow CFM P <sub>e</sub> x R <sub>p</sub>	Outdoor Airflow Rate CFM/ft <sup>2</sup> R <sub>a</sub>	Outdoor Airflow CFM A <sub>s</sub> x R <sub>a</sub>	Breathing Zone Outdoor Airflow CFM V <sub>bz</sub>	Zone Air Distribution Effectiveness E <sub>z</sub>				Zone Outdoor Airflow CFM V <sub>z</sub>	Required Exhaust Rate CFM/ft <sup>2</sup>	Total Required Exhaust CFM	Exhaust Control/Operation	Fixture Exhaust Rate CFM/Fixture			Required Fixture Exhaust CFM	Actual Exhaust CFM
1	Team Member Room	158	50	8	5	40	0.06	9	49	0.8	62	600	0.10	146	-	-	-	-	-	-	AC#4 / ALT AC#4	-
2	Service	157	-	-	-	-	0.12	19	19	0.8	24	185	0.13	45	-	-	-	-	-	-	AC#4 / ALT AC#4	-
3	Beverage	166	-	-	-	-	0.12	20	20	0.8	25	275	0.09	67	-	-	-	-	-	-	AC#4 / ALT AC#4	-
4	Utility	100	-	-	-	-	0.12	12	12	0.8	15	300	0.05	73	-	-	-	-	-	-	AC#4 / ALT AC#4	-
5	Dry Storage	471	-	-	-	-	0.12	57	57	0.8	71	150	0.47	36	-	-	-	-	-	-	AC#4 / ALT AC#4	-
6	Office	79	5	1	5	5	0.06	5	10	0.8	13	100	0.12	24	-	-	-	-	-	-	AC#4 / ALT AC#4	-
7	Employee RR	62	-	-	-	-	-	-	-	0.8	-	40	-	10	-	-	Intermittent	70	70	75	AC#4 / ALT AC#4	EF#4
8	Riser	19	-	-	-	-	0.12	2	2	0.8	3	100	0.03	24	-	-	-	-	-	-	AC#4 / ALT AC#4	-
<b>Total Area</b>		<b>1,212</b>				<b>Total V<sub>bz</sub></b>			<b>169</b>	<b>Total Supply Airflow</b>			<b>1,750</b>	<b>Actual Outdoor Airflow</b>								
						<b>Diversity (D)</b>			<b>1.00</b>	<b>Maximum Zp</b>			<b>0.47</b>									
						<b>Uncorrected Outdoor Air Intake (V<sub>un</sub>)</b>			<b>169</b>	<b>System Ventilation Efficiency (E<sub>s</sub>)</b>			<b>0.60</b>									
						<b>Required Outdoor Air Intake (CFM)</b>			<b>281</b>													

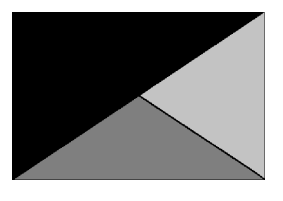
### VENTILATION SCHEDULE

General		Ventilation													Exhaust					Served by		
Room #	Room Name	Area A <sub>s</sub> ft <sup>2</sup>	People			Area					Primary Zone Airflow CFM V <sub>z</sub>	Primary Outdoor Air Fraction Z <sub>p</sub>	Actual Outdoor Airflow CFM	Area		Toilet			Supply	Exhaust		
			Occupant Density People/1,000 ft <sup>2</sup>	Occupants People P <sub>e</sub>	Outdoor Airflow Rate CFM/Person R <sub>p</sub>	Outdoor Airflow CFM P <sub>e</sub> x R <sub>p</sub>	Outdoor Airflow Rate CFM/ft <sup>2</sup> R <sub>a</sub>	Outdoor Airflow CFM A <sub>s</sub> x R <sub>a</sub>	Breathing Zone Outdoor Airflow CFM V <sub>bz</sub>	Zone Air Distribution Effectiveness E <sub>z</sub>				Zone Outdoor Airflow CFM V <sub>z</sub>	Required Exhaust Rate CFM/ft <sup>2</sup>	Total Required Exhaust CFM	Exhaust Control/Operation	Fixture Exhaust Rate CFM/Fixture			Required Fixture Exhaust CFM	Actual Exhaust CFM
1	Play Area	268	-	-	-	-	0.3	80	80	0.8	101	1,200	0.084	200	-	-	-	-	-	-	AC#5	-
<b>Total Area</b>		<b>268</b>				<b>Total V<sub>bz</sub></b>			<b>80</b>	<b>Total Supply Airflow</b>			<b>1,200</b>	<b>Actual Outdoor Airflow</b>								
						<b>Diversity (D)</b>			<b>-</b>	<b>Maximum Zp</b>			<b>0.084</b>									
						<b>Uncorrected Outdoor Air Intake (V<sub>un</sub>)</b>			<b>-</b>	<b>System Ventilation Efficiency (E<sub>s</sub>)</b>			<b>1.00</b>									
						<b>Required Outdoor Air Intake (CFM)</b>			<b>-</b>													



**Chick-fil-A**

**Chick-fil-A**  
5200 Buffington Road  
Atlanta, Georgia  
30349-2998



**Kurzynske & Associates**  
2705 Lebanon Pike - Suite One  
Nashville, Tennessee 37214  
Telephone: (615) 255-5203



01/10/25

**CHICK-FIL-A**  
Johnny Cash Pkwy FSU  
264 East Main Street  
Hendersonville, TN 37075

**FSR#05708**

BUILDING TYPE / SIZE: P14 LE BN  
RELEASE: 23.09

PRINTED FOR: CONSTRUCTION

REVISION SCHEDULE

NO.	DATE	DESCRIPTION

SHEET: VENTILATION SCHEDULES

SHEET NUMBER: M-602

CONSULTANT PROJECT #: 24052.EH.S  
DATE: 07/18/2024

DRAWN BY: BLM

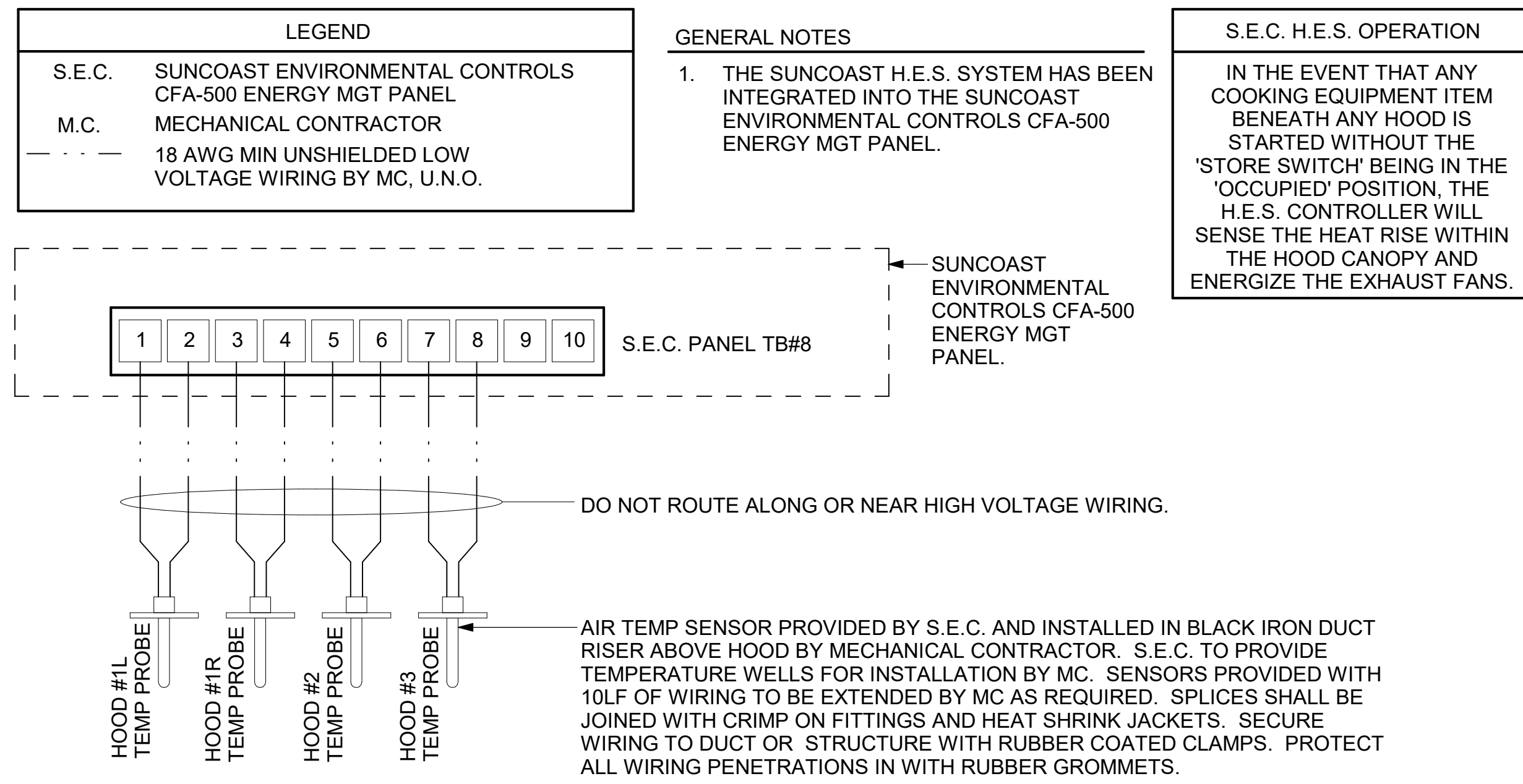
Information contained on this drawing and in all digital files produced for above named project may not be reproduced in any manner without express written or verbal consent from authorized project representatives.

VENTILATION SCHEDULES

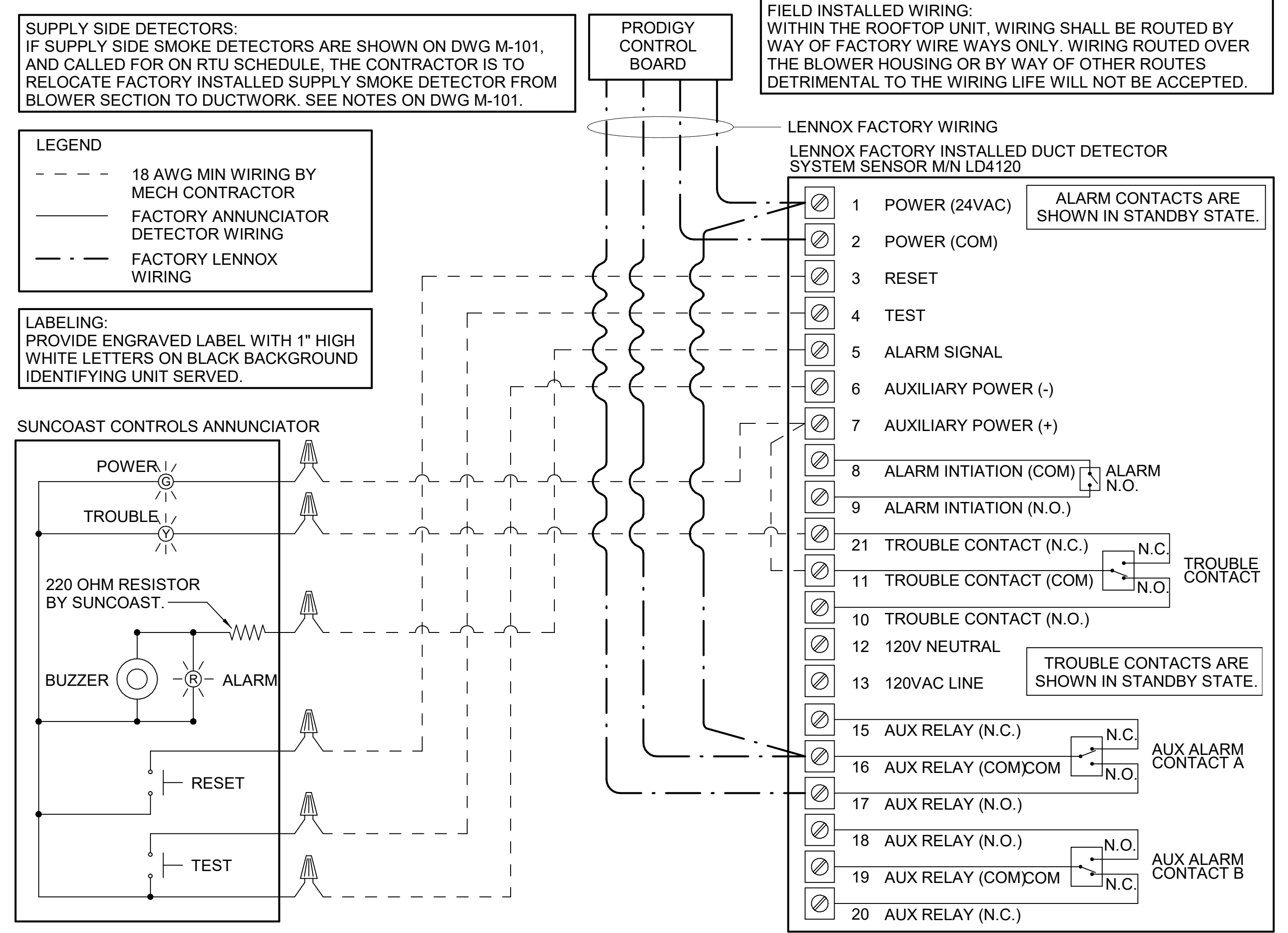
SHEET NUMBER: M-602

Autodesk Docs:ITN\_05708\_Johnny Cash Pkwy FSU\_2024\_1\_FSR05708\_Johnny Cash Pkwy FSU\_K&A\_MEC.rvt  
1/8/2025 9:56:39 AM  
30-LE-05708-M-602-VENTILATION SCHEDULES

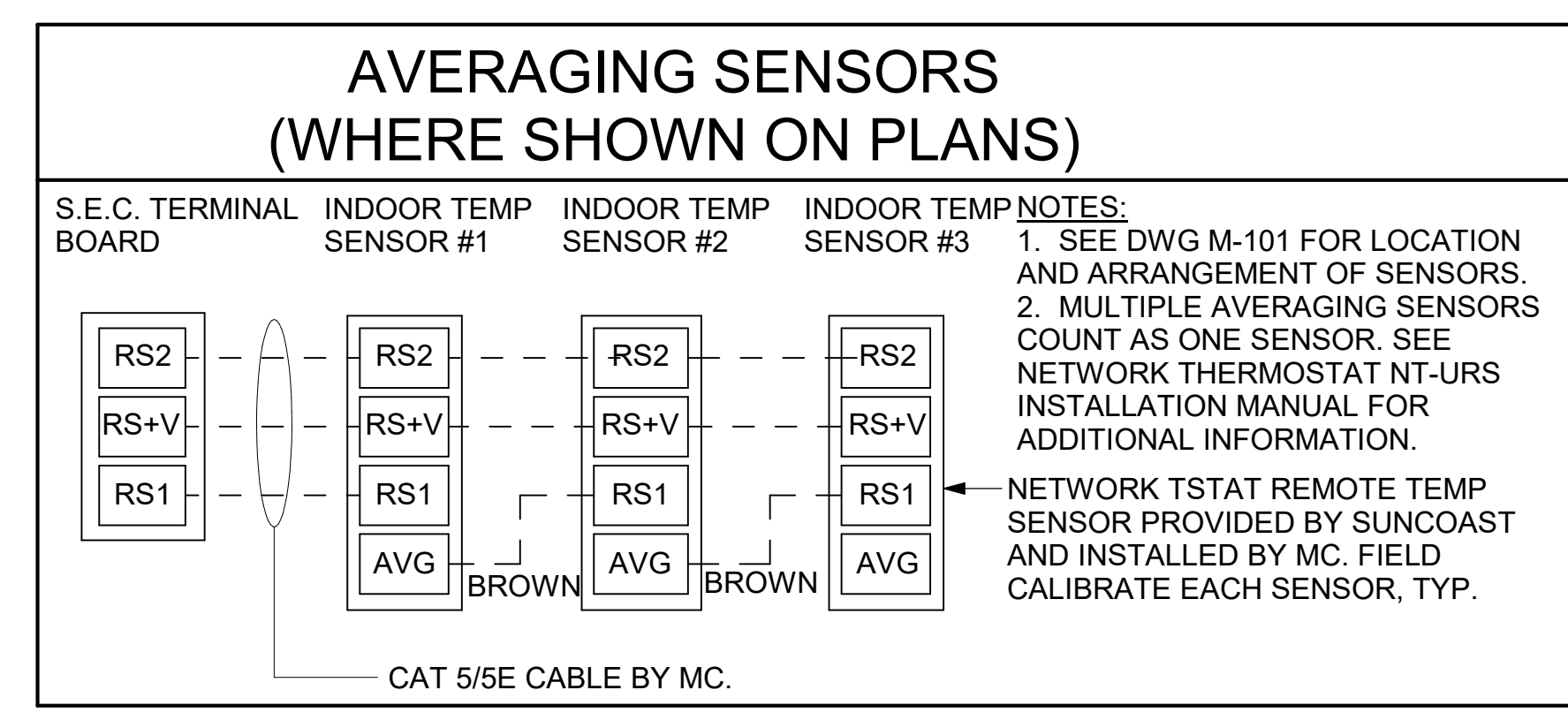
PROVIDE A PROFESSIONALLY LAMINATED COPY OF THESE DETAILS TO BE INSTALLED INSIDE THE ROOFTOP UNIT CONTROL CABINET. USE A SETON CHART FRAME STYLE #68624, TELEPHONE NUMBER 800-243-6624, FOR MOUNTING THE DETAIL. ATTACH THE FRAME TO THE INTERIOR OF THE UNIT IN PLAIN AND EASY VIEW OF THE CONTROLS SECTION. CONTACT ENGINEER OF RECORD FOR A REPRODUCIBLE COPY OF THE DETAIL.



4 HOOD FAN/EQUIPMENT INTERLOCK - 3 Hood (4 Collars) - CFA500 Integrated  
 1/4" = 1'-0"

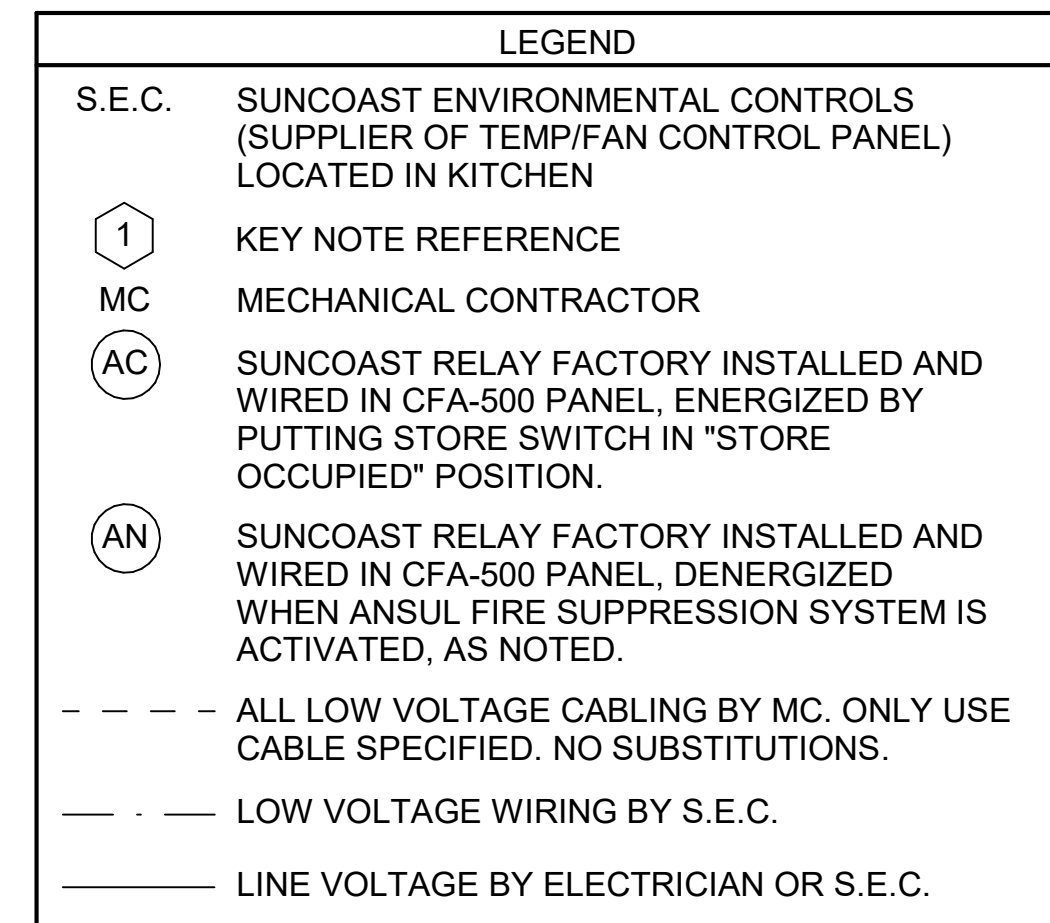


1 SMOKE DETECTOR AND ANNUNCIATOR WIRING DIAGRAM - LENNOX  
 NOT TO SCALE



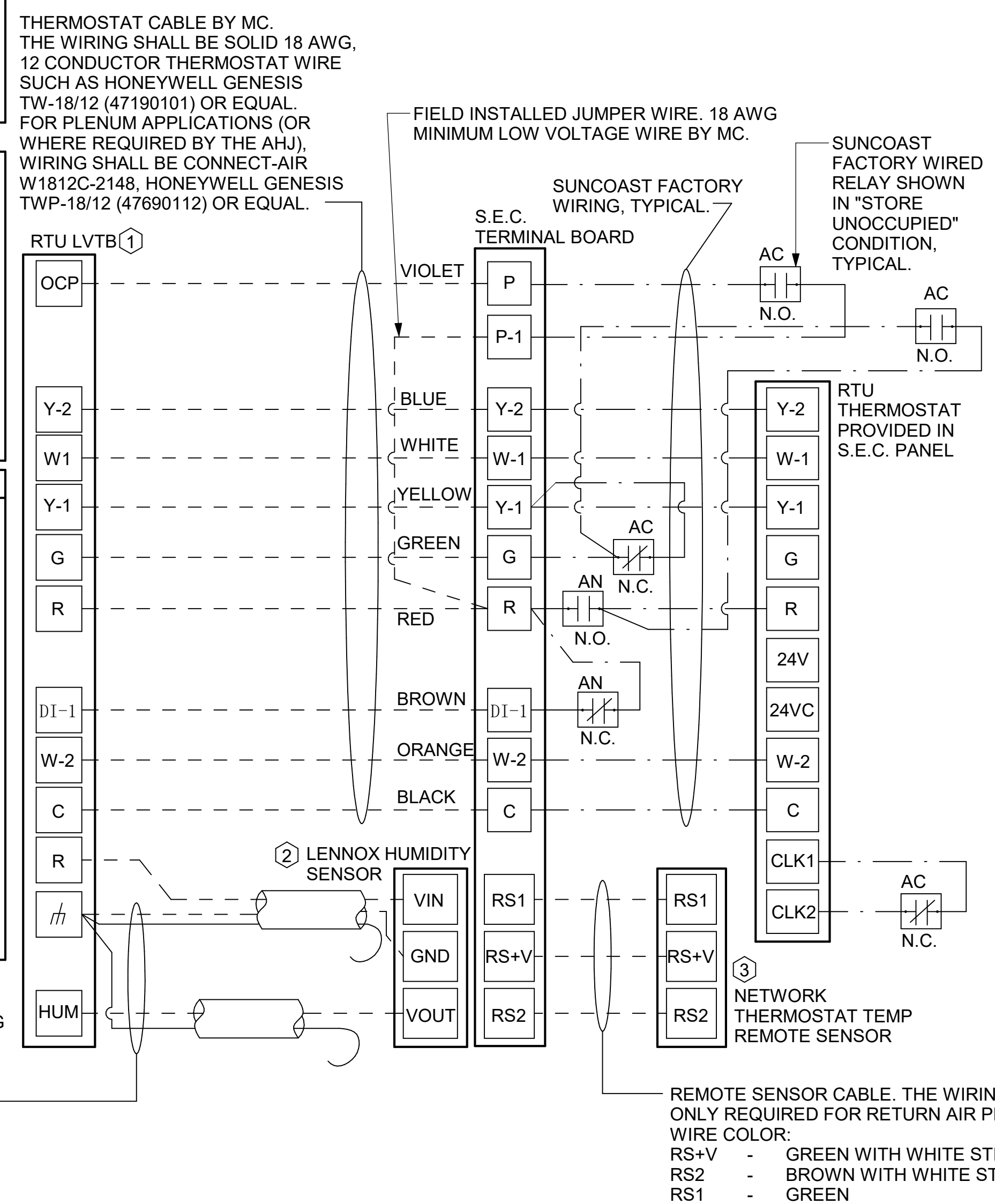
- NOTES:**
- MECHANICAL CONTRACTOR SHALL MAKE PLASTIC LAMINATE OF THIS DETAIL AND INSTALL PERMANENTLY ON INSIDE DOOR OF ROOFTOP UNIT CONTROL COMPARTMENT.
  - SEE DETAILS THIS SHEET FOR SMOKE DETECTOR AND ANNUNCIATOR WIRING.
  - SET ALL THERMOSTATS FOR AUTO CHANGEOVER.
  - PROVIDE PLASTIC ENGRAVED LABEL AT ALL NEW SENSORS WITH 1/4" HIGH WHITE LETTERING ON BLACK BACKGROUND, I.E. "ACH#2 HUMIDITY SENSOR" OR "ACH#2 TEMP SENSOR". PLACE LABELS ON WALL ADJACENT TO DEVICE. DO NOT APPLY DIRECTLY TO DEVICE.

- KEYED NOTES:**
- LOW VOLTAGE WIRING TO RTU TO BE ROUTED TO UNIT THRU FACTORY WIREWAY.
  - HUMIDITROL UNITS ONLY: WIRING TO HUMIDITY SENSOR TO BE MADE WITH TWO SEPARATE RUNS OF SHIELDED TWISTED PAIR. TERMINATE SHIELD WIRES AT TB-1, LEAVE OPEN AT SENSOR.
  - NETWORK TSTAT REMOTE TEMP SENSOR PROVIDED BY SUNCOAST AND INSTALLED BY MC. SENSOR IS INTENDED TO BE SURFACE MOUNTED AND DOES NOT REQUIRE A SINGLE GANG BOX OF CONDUIT. FIELD CALIBRATE EACH SENSOR.



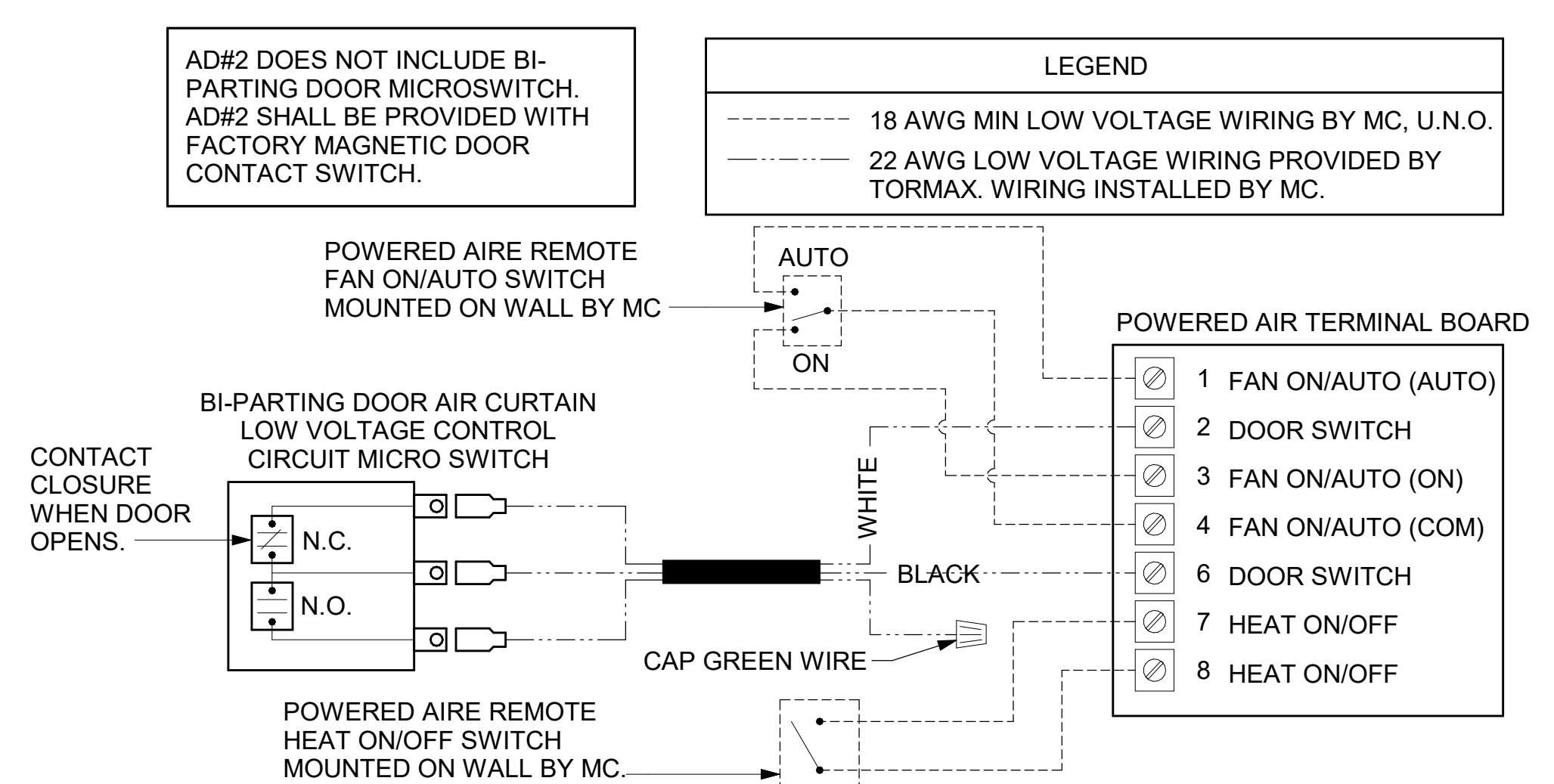
USE TWO SEPARATE SHIELDED CABLES CONTAINING 18AWG MINIMUM, TWISTED PAIR CONDUCTORS WITH OVERALL SHIELD. BELDEN TYPE 8760 OR 88760 (PLENUM) OR EQUIVALENT. INSTALL PER LENNOX'S RELATIVE HUMIDITY SENSOR INSTALLATION INSTRUCTIONS.

2 ROOFTOP UNIT CONTROL WIRING - LENNOX  
 NOT TO SCALE



- LENNOX PRODIGY 2.0 OR CORE UNIT CONTROLLER SETTINGS:**
- FOR ALL RTU'S EXCEPT AC#1, ELIMINATE THE MORNING WARMUP/OA DAMPER DELAY. THE MENU PATH IS:  
 • MAIN MENU > SETTINGS > RTU OPTIONS > EDIT PARAMETERS  
 FOR GAS HEAT UNITS (LGT):  
 • CHANGE PARAMETER #65 SETTING TO 1  
 FOR ELECTRIC HEAT UNITS (LCT):  
 • CHANGE PARAMETER #58 TO 1
  - ON UNIT AC#1  
 • FOR GAS HEAT (LG) LEAVE AT 60-MINUTE DEFAULT  
 • FOR ELECTRIC HEAT (LC) CHANGE VALUE TO EQUAL 90-MINUTE
  - FOR HUMIDITROL UNITS THE MENU PATH IS:  
 • MAIN MENU > SETTINGS > RTU OPTIONS > DEHUMIDIFIER MODE > NO CONDITIONS  
 SELECT LOCAL SENSOR AND SAVE  
 • SET POINT: 60%  
 • DEHUMID DEADBAND: 2%
  - FOR ALL UNITS, SET BLOWER TO OPERATE AT ONE AIRFLOW FOR ALL MODES. MENU PATH IS:  
 • MAIN MENU > INSTALL > TEST AND BALANCE > BLOWER  
 • SET ALL HEATING AND COOLING CFM VALUES TO THE SAME VALUE AS SCHEDULED.  
 • ADJUST AIRFLOW BY MEANS OF ADJUSTABLE BLOWER MOTOR SHEAVE.

- LENNOX FRESH AIR HEATING SETUP WHEN SPECIFIED:**
- INSTALL FRESH AIR TEMPERING KIT WIRING HARNESS AS RECOMMENDED BY LENNOX.
  - LOCATE SUPPLY AIR TEMPERATURE SENSOR IN SUPPLY DUCT DOWNSTREAM OF FIRST ELBOW. SECURE WIRING TO DUCT OR STRUCTURE WITH RUBBER COATED CLAMPS. DO NOT RUN WIRING INSIDE DUCT WORK. PROTECT ALL WIRING PENETRATIONS WITH RUBBER GROMMETS.
  - FOR PRODIGY 2.0 OR CORE UNIT CONTROLLER PARAMETER #156. WITHIN MAIN MENU GO TO SET-UP TO TEST AND BALANCE TO DAMPER. SET FAH SETPOINT TO 60F FOR KITCHEN RTU, 62F FOR SERVING RTU, 63F FOR DINING/BACK OF HOUSE RTU. THIS WILL TEMPER SUPPLY AIR BELOW SETPOINT WITH INTERMITTENT HEATING WHEN THERMOSTAT IS NOT ACTIVELY CALLING FOR HEAT.
  - CHANGE PRODIGY 2.0 OR CORE UNIT CONTROLLER PARAMETER #157. WITHIN MAIN MENU GO TO SETTINGS TO RTU OPTIONS TO EDIT PARAMETER VALUE TO 5 FOR A 5F FAH DEADBAND AND SAVE.
  - CHANGE PRODIGY 2.0 OR CORE UNIT CONTROLLER PARAMETER #158. WITHIN MAIN MENU GO TO SETTINGS TO RTU OPTIONS TO EDIT PARAMETER VALUE TO 300 SECONDS FOR 5 MINUTE CYCLE TIME AND SAVE.



5 AIR CURTAIN WIRING DIAGRAM  
 NOT TO SCALE



**Chick-fil-A**  
 5200 Buffington Road  
 Atlanta, Georgia  
 30349-2998

**Kurzynske & Associates**  
 2705 Lebanon Pike - Suite One  
 Nashville, Tennessee 37214  
 Telephone: (615) 255-5203



**CHICK-FIL-A**  
 Johnny Cash Pkwy FSU  
 264 East Main Street  
 Hendersonville, TN 37075

**FSR#05708**

BUILDING TYPE / SIZE: P14 LE BN  
 RELEASE: 23.09  
 PRINTED FOR CONSTRUCTION

**REVISION SCHEDULE**

NO.	DATE	DESCRIPTION

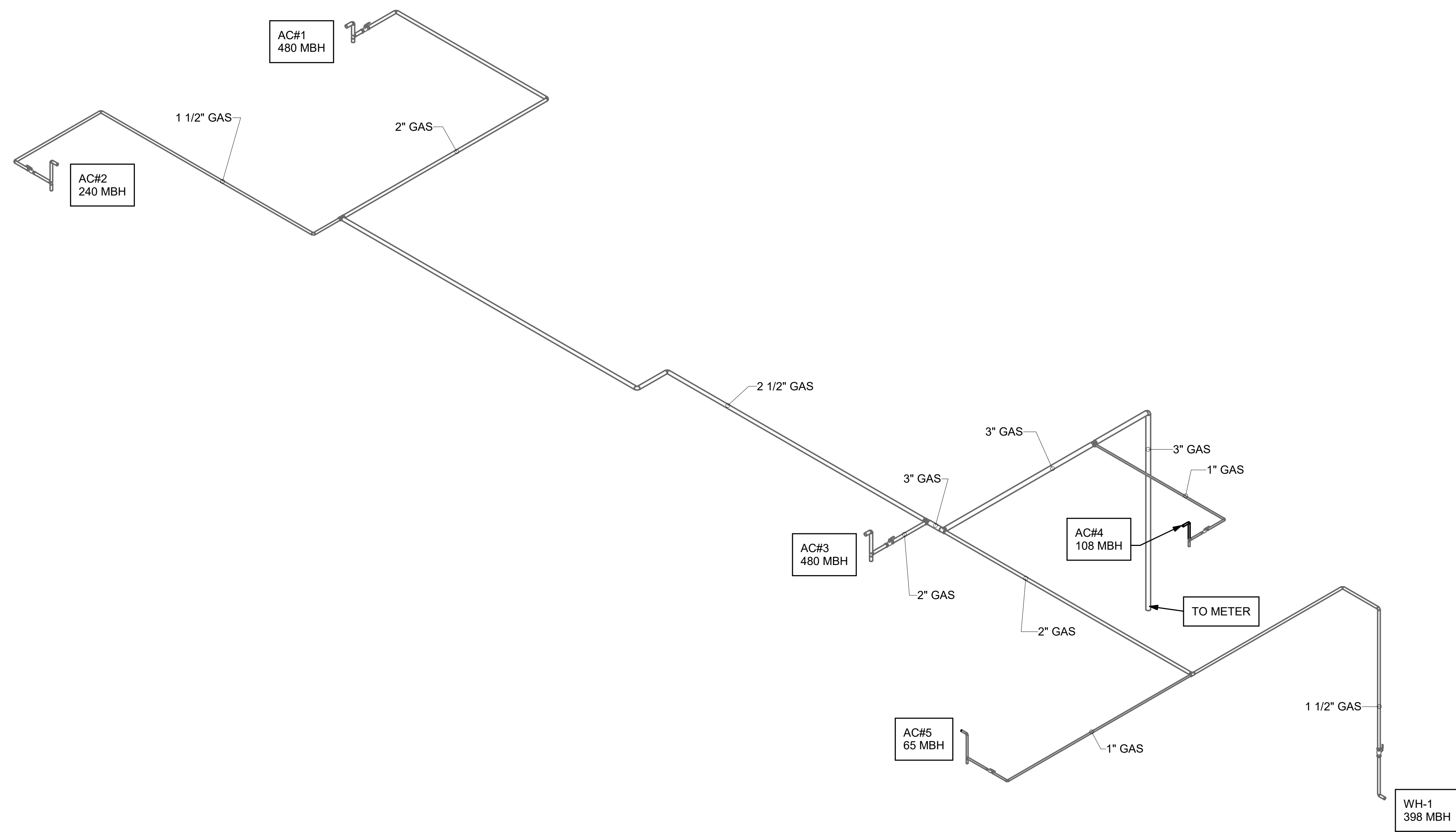
CONSULTANT PROJECT # 24052.EH.S  
 DATE 07/18/2024  
 DRAWN BY BLM  
 Information contained on this drawing and in all digital files produced for above named project may not be reproduced in any manner without express written or verbal consent from authorized project representatives.  
 SHEET CONTROL WIRING DIAGRAMS  
 SHEET NUMBER

**M-701**

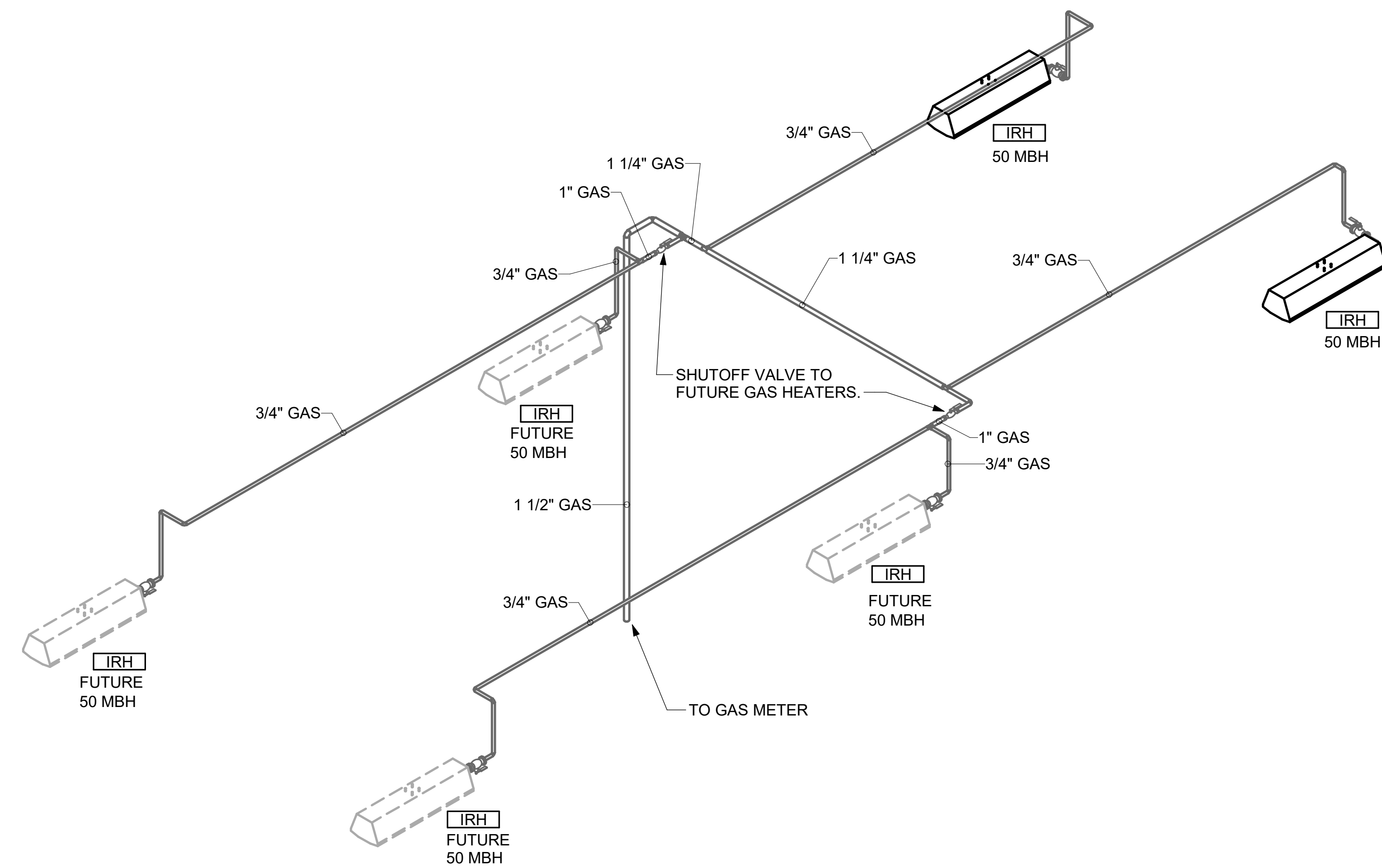
Autodesk Docs://TN\_05708\_Johnny Cash Pkwy FSU\_2024\_1\_FSR#05708\_Johnny Cash Pkwy FSU\_K&A\_MEC.rvt  
 1/8/2025 9:58:42 AM  
 30-LE-05708-M-701-CONTROL WIRING DIAGRAMS

Autodesk Docs:ITN\_05708\_Johnny Cash Pkwy FSU\_2024\_1\_FSR05708\_Johnny Cash Pkwy FSU\_K&A\_MEC.rvt  
1/8/2025 9:58:45 AM  
30-LE-05708-M-001-GAS PIPING ISOMETRICS

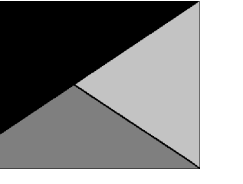
1 GAS PIPING ISOMETRIC - RTUS & WATER HEATER



2 ORDER CANOPY GAS PIPING ISOMETRIC



**Chick-fil-A**  
5200 Buffington Road  
Atlanta, Georgia  
30349-2998



**Kurzynske & Associates**  
2705 Lebanon Pike - Suite One  
Nashville, Tennessee 37214  
Telephone: (615) 255-5203



01/10/25

**CHICK-FIL-A**  
Johnny Cash Pkwy FSU  
264 East Main Street  
Hendersonville, TN 37075

**FSR#05708**

BUILDING TYPE / SIZE: P14 LE BN  
RELEASE: 23.09  
PRINTED FOR:  
CONSTRUCTION

REVISION SCHEDULE

NO.	DATE	DESCRIPTION

CONSULTANT PROJECT # 24052.EH.S  
DATE 07/18/2024  
DRAWN BY BLM

Information contained on this drawing and in all digital files produced for above named project may not be reproduced in any manner without express written or verbal consent from authorized project representatives.

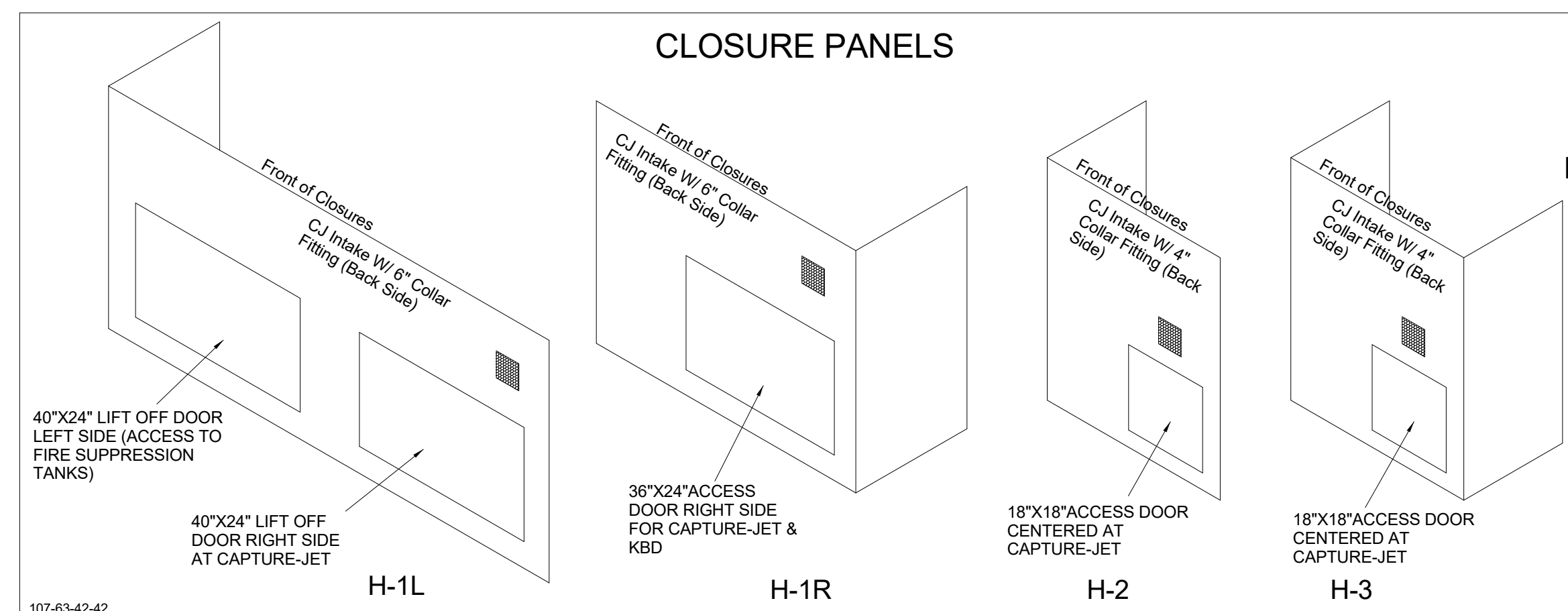
SHEET GAS PIPING ISOMETRICS

SHEET NUMBER

**M-901**

HOOD MODEL	HOOD NUMBER	EXHAUST COLLAR			EXHAUST AIR INFORMATION			CAPTURE AIR INFORMATION		S.S. KSA FILTERS		CEILING CLOSURES			KBD DAMPER	K FACTOR (CFM = K FACTOR * √DP)	MATERIAL		
		QTY	LENGTH	WIDTH	CFM	TAB	SP	CFM	SP	FULL	HALF	LED LIGHTS	QTY	CLOSURE HEIGHT				CEILING HEIGHT	HOOD WEIGHT
KVL-2-IC	H-1L	1	14"	8"	1204	0.13"	0.22"	80	0.30"	5	-	3	2	51"	122"	669 LBS	*	3365	EXPOSED SURFACES 18 GA. S.S.
KVL-2-IC	H-1R	1	8"	8"	709	0.13"	0.23"	47	0.30"	3	-	2	2			394 LBS		1959	
KVL-C-IC	H-2	1	8"	8"	701	0.30"	0.39"	30	0.29"	2	-	1	2			245 LBS		1291	
KVL-C-IC	H-3	1	8"	8"	701	0.30"	0.39"	30	0.29"	2	-	1	3			245 LBS		1291	

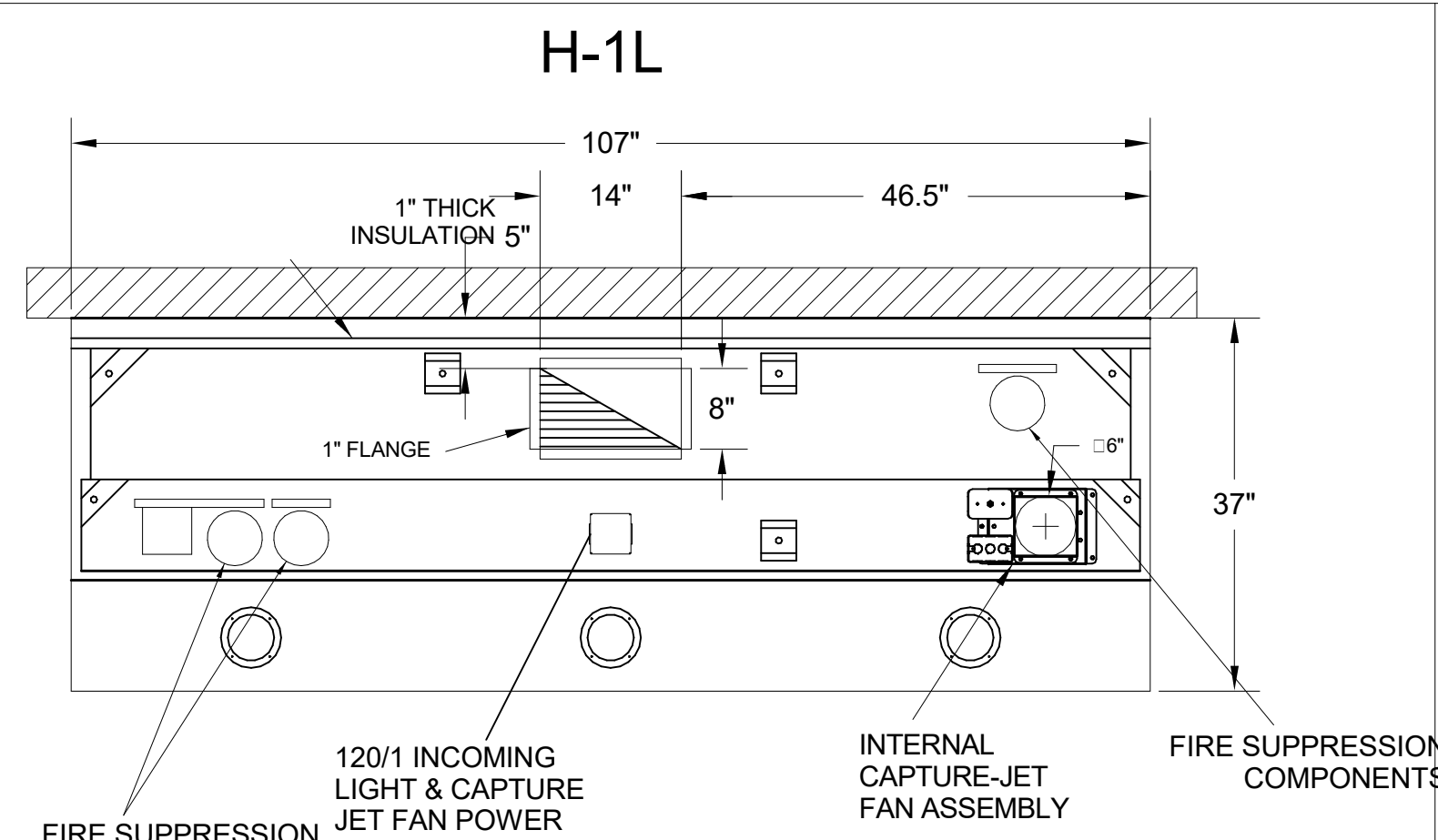
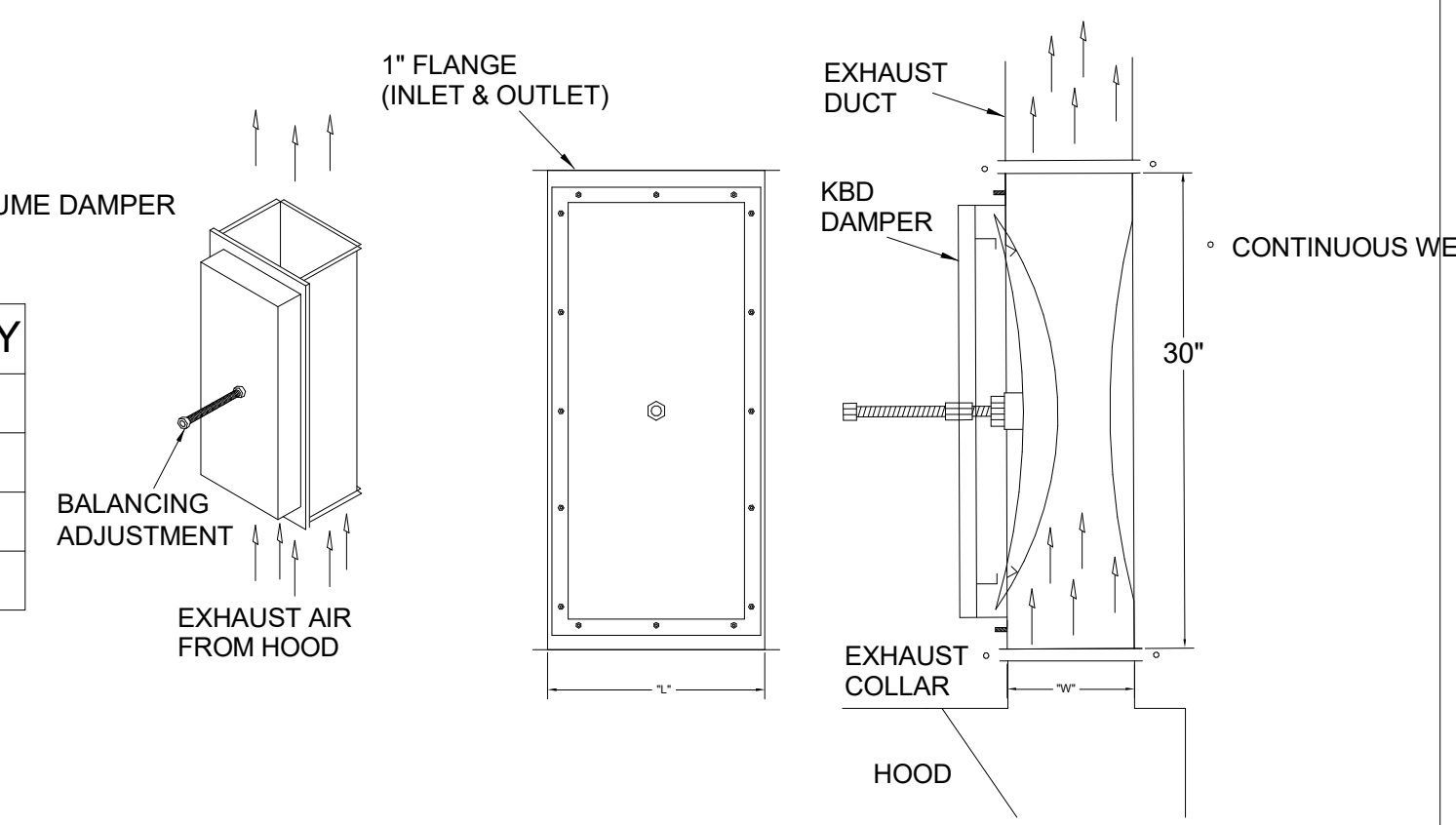
**FOR REFERENCE ONLY**



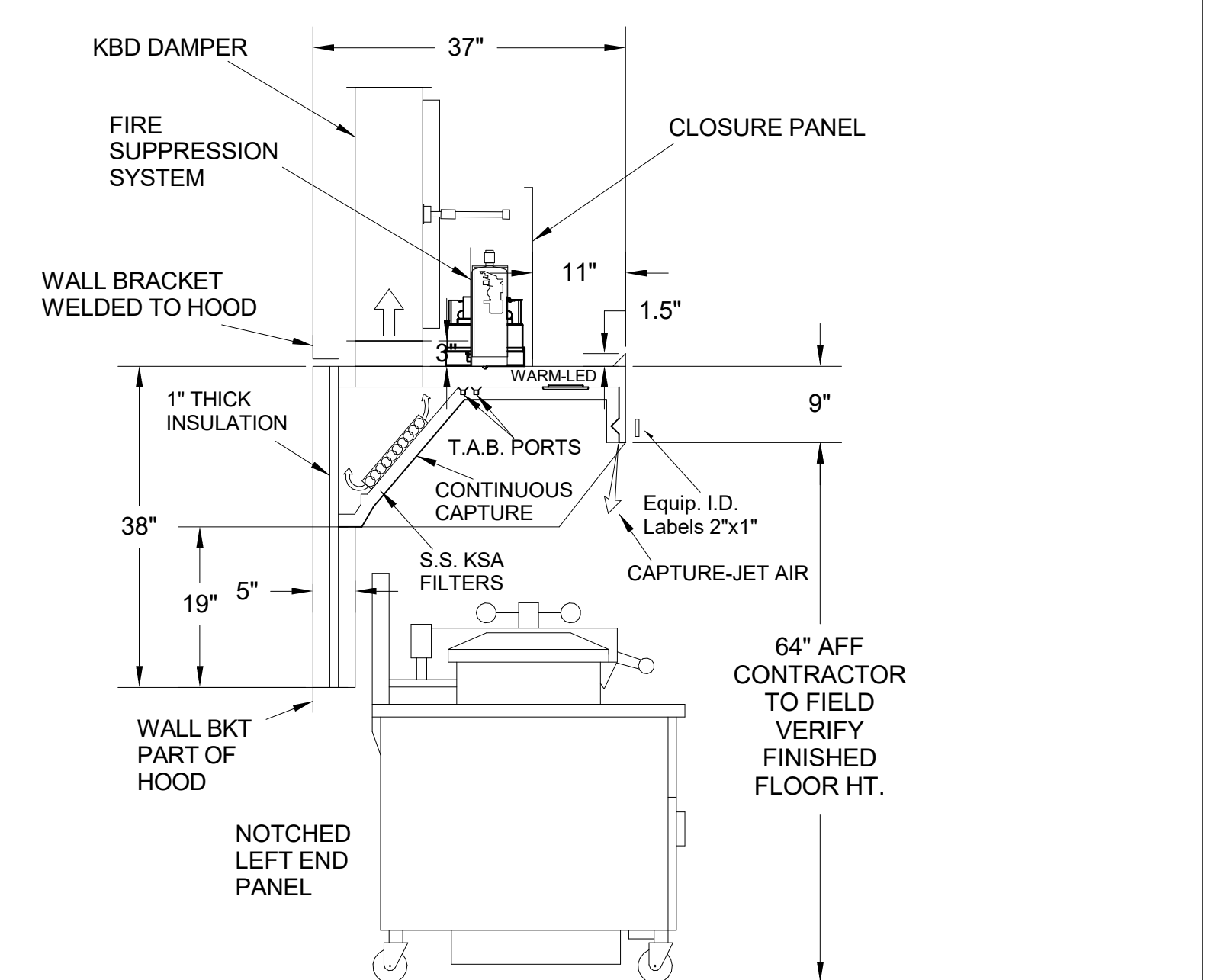
**MODEL:KBD  
CALIBRATED  
KITCHEN BALANCING DAMPER**

TAG	"L"	"W"	QUANTITY
H-1L	14"	8"	1
H-1R	8"	8"	1
H-2	8"	8"	1
H-3	8"	8"	1

MATERIAL: FRAME - 16GA CONT. GALV.  
ADJUSTABLE PANEL 18GA S.S.

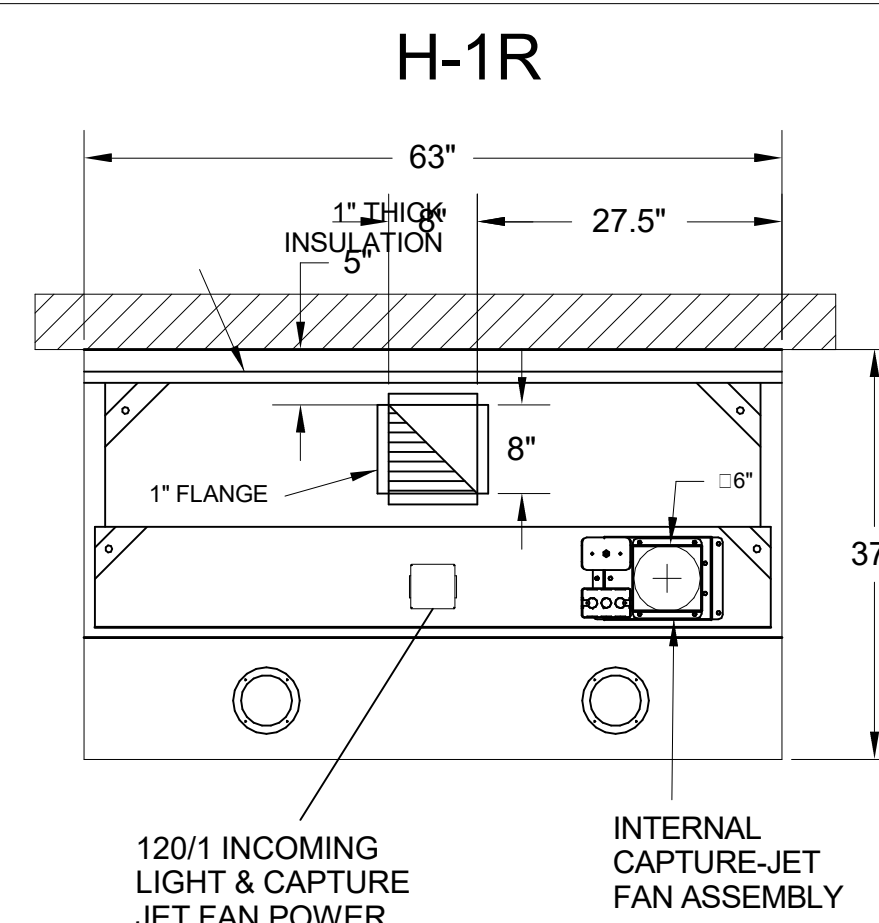
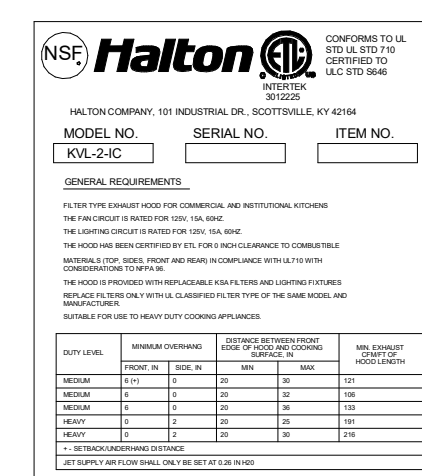


PLAN VIEW

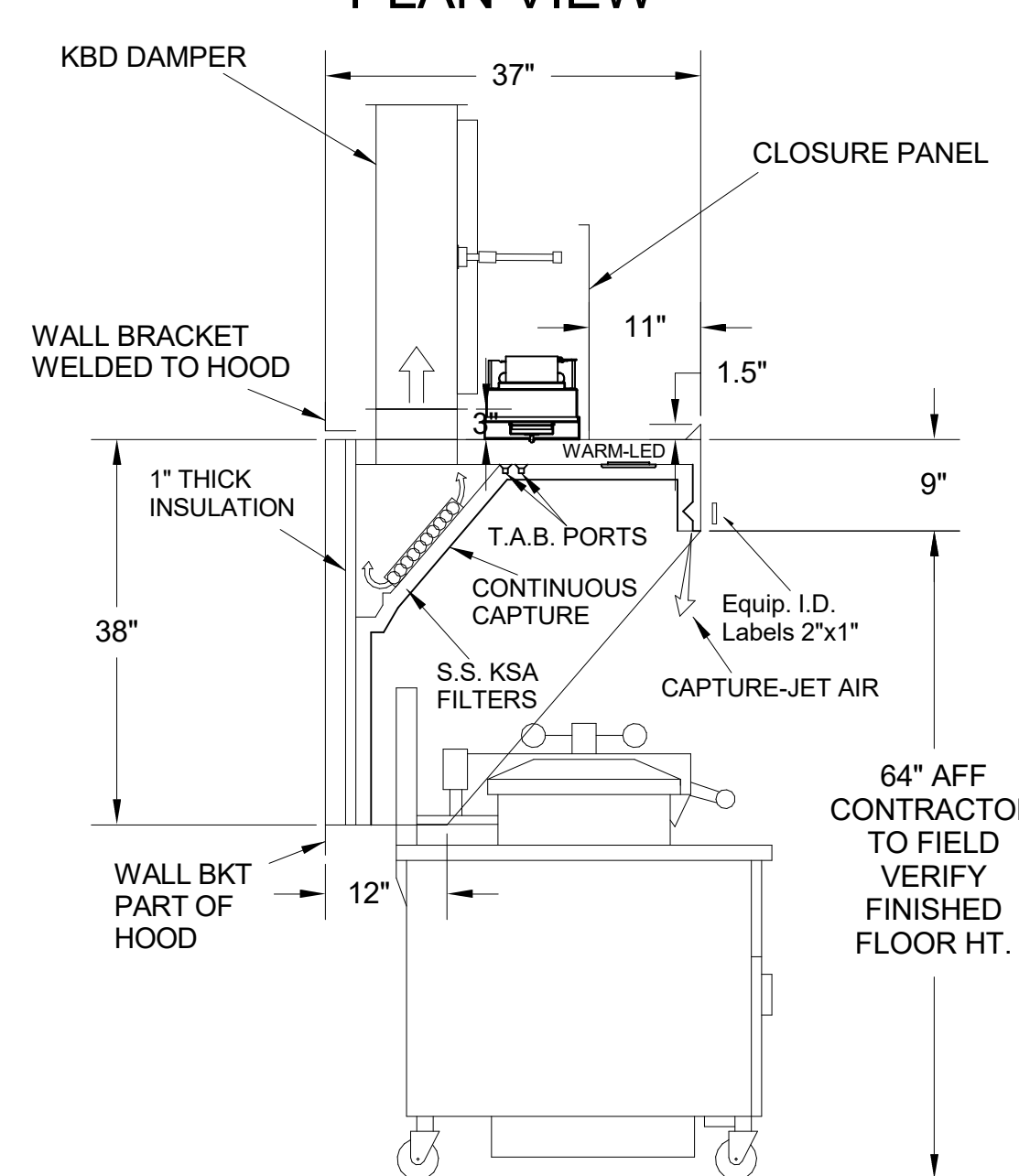


H-1L SECTION VIEW

- CEILING CLOSURE RECESSED 11" FROM FRONT TO CREATE SHELF
- FRONT CLOSURE PANEL WITH 40"x24" LIFT OUT DOOR LEFT SIDE (ACCESS TO FIRE SUPPRESSION)
- 40"x24" LIFT DOOR RIGHT SIDE AT CAPTURE-JET WITH FRONT CJ INTAKE
- CONTINUOUS CAPTURE INTERNAL RIGHT END CUTOUT
- 3" REAR STAND-OFF TO HAVE 1" THICK INSULATION
- NOTCHED LEFT END PANEL
- EQUIPMENT COVERED:  
(4) PRESSURE FRYERS  
(2) GRILLS
- ANSUL WEIGHT = 286 LBS
- AMEREX WEIGHT = 264 LBS

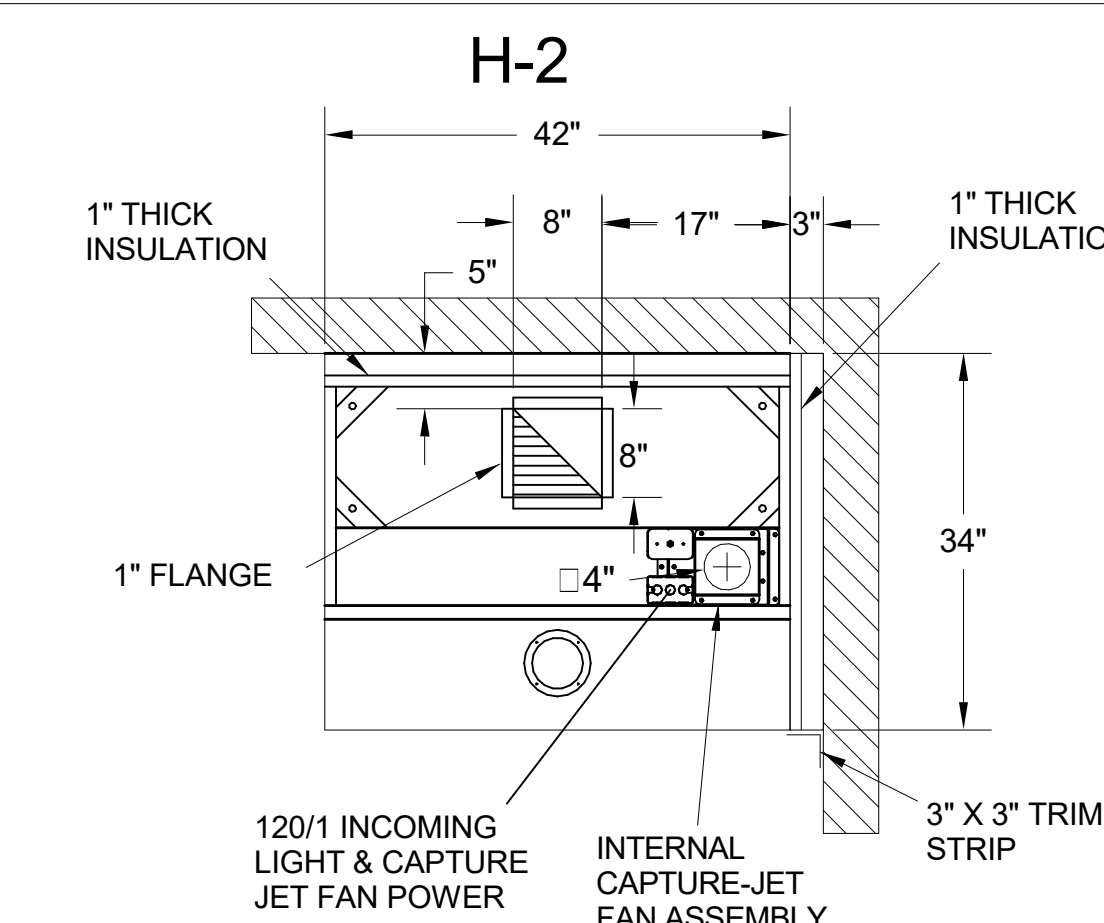
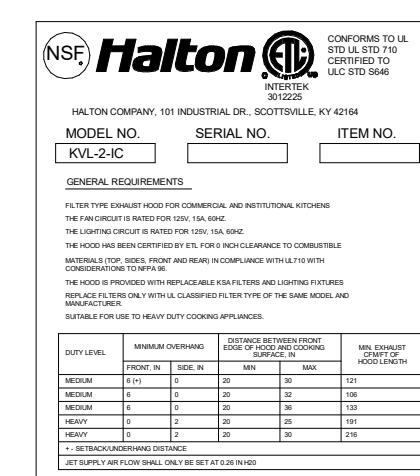


PLAN VIEW

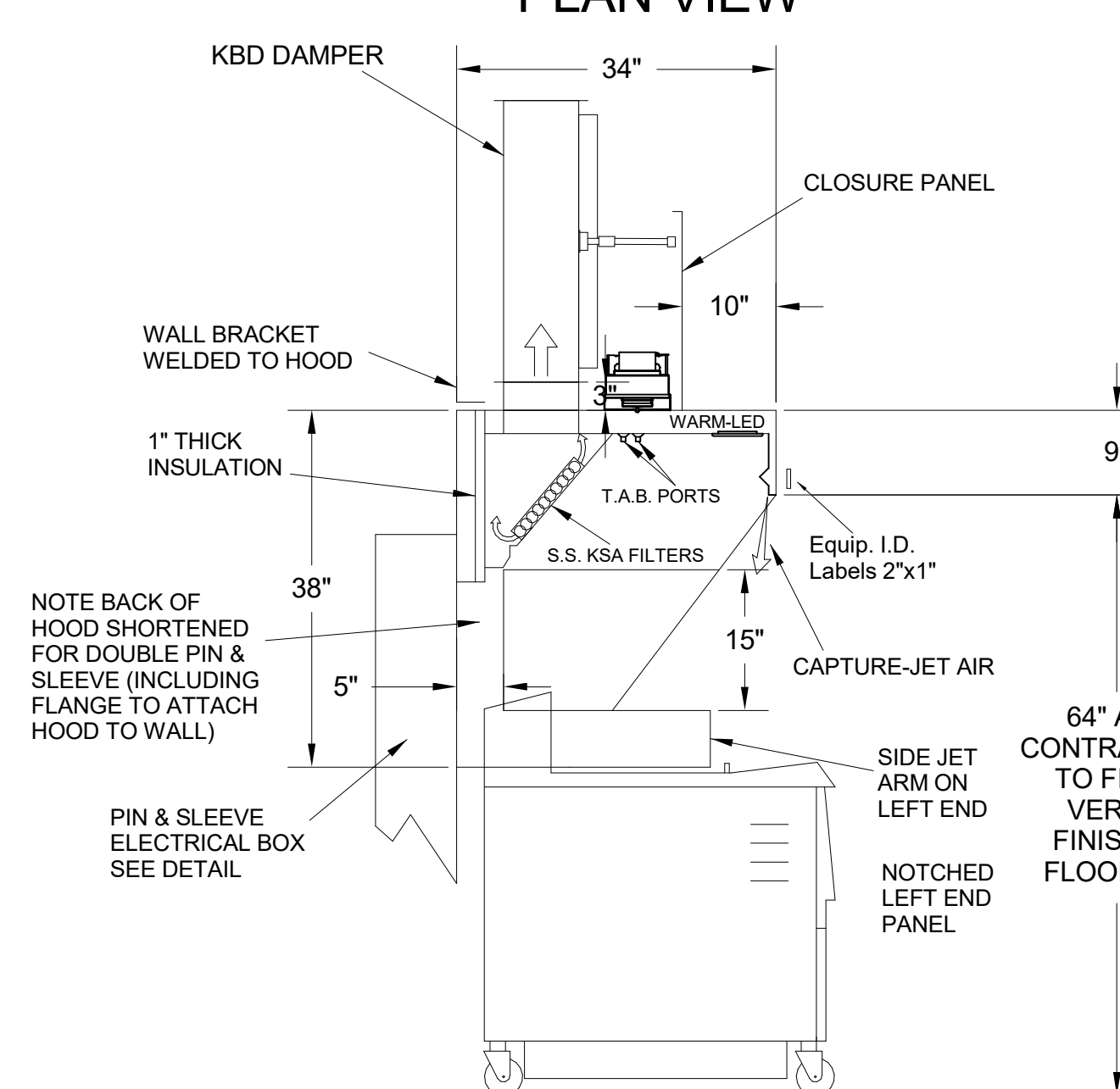


H-1R SECTION VIEW

- CEILING CLOSURE RECESSED 11" FROM FRONT TO CREATE SHELF
- 36"x24" ACCESS DOOR RIGHT SIDE FOR ACCESS TO CAPTURE-JET WITH FRONT CJ INTAKE & KBD
- CONTINUOUS CAPTURE INTERNAL LEFT END CUTOUT
- 3" REAR STAND-OFF TO HAVE 1" THICK INSULATION
- EQUIPMENT COVERED:  
(3) PRESSURE FRYERS

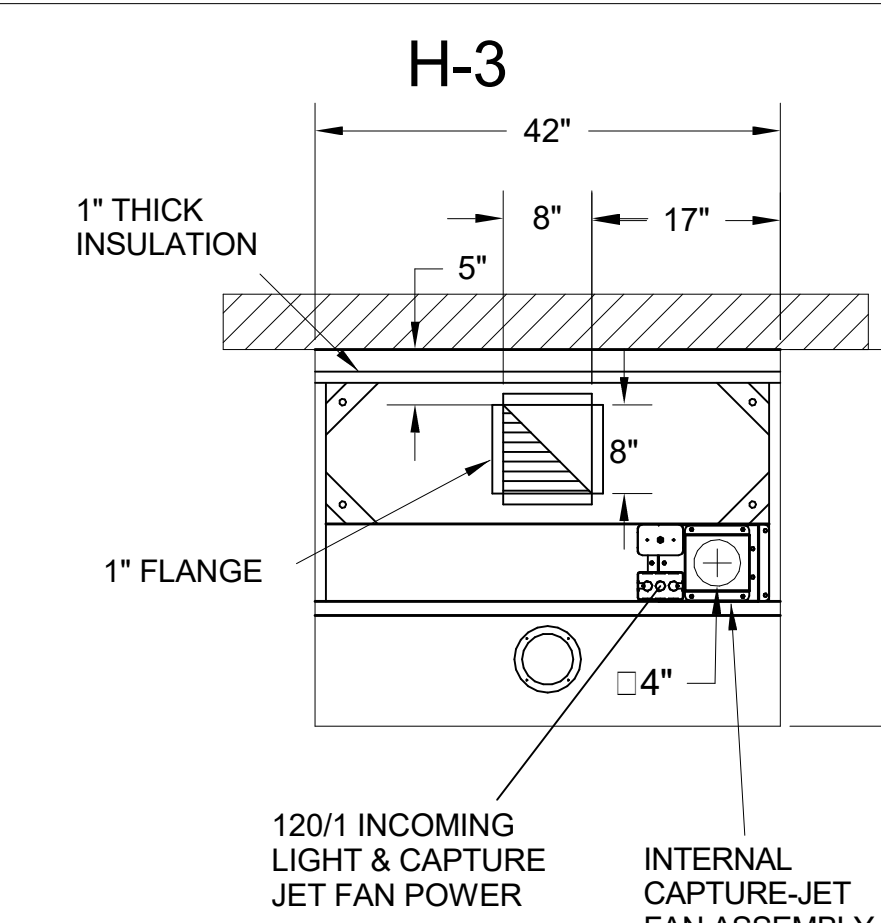
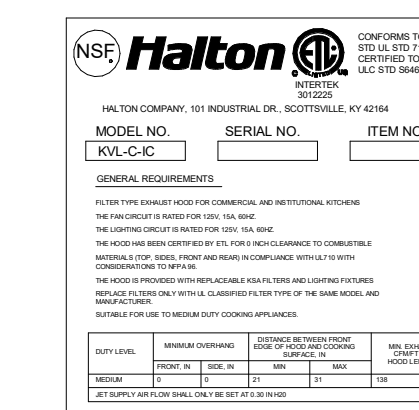


PLAN VIEW

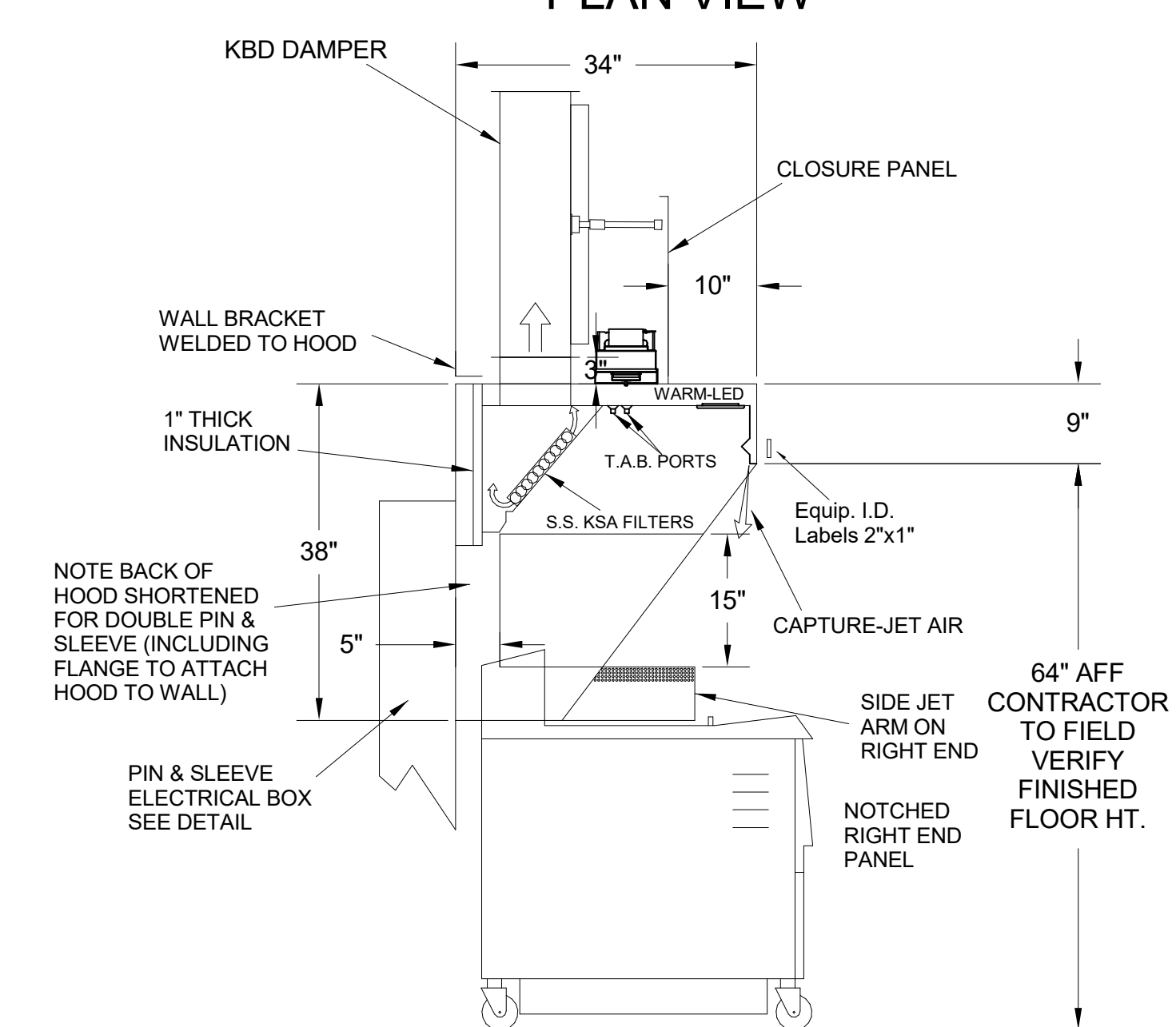


H-2 SECTION VIEW

- CEILING CLOSURE RECESSED 10" FROM FRONT TO CREATE SHELF
- 18"x18" ACCESS DOOR CENTERED AT CAPTURE-JET WITH FRONT CJ INTAKE
- NOTCHED LEFT END PANEL
- DOUBLE RECEPTACLE PIN & SLEEVE
- 3"x3" TRIM STRIP FOR STANDOFF ON RIGHT END
- 3" SIDE & REAR STAND-OFF TO HAVE 1" THICK INSULATION
- EQUIPMENT COVERED:  
(2) FRYERS

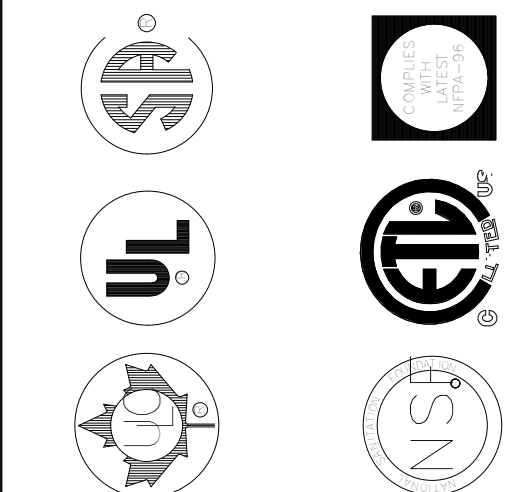
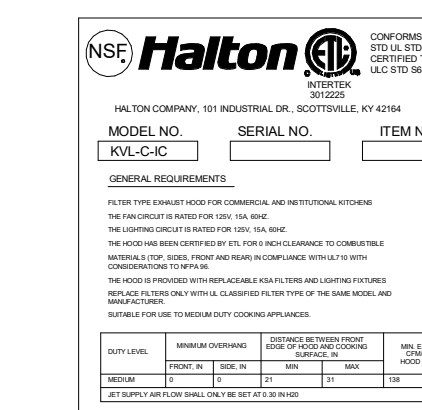


PLAN VIEW



H-3 SECTION VIEW

- CEILING CLOSURE RECESSED 10" FROM FRONT TO CREATE SHELF
- 18"x18" ACCESS DOOR CENTERED AT CAPTURE-JET WITH FRONT CJ INTAKE
- NOTCHED RIGHT END PANEL
- DOUBLE RECEPTACLE PIN & SLEEVE
- 3" REAR STAND-OFF TO HAVE 1" THICK INSULATION
- EQUIPMENT COVERED:  
(2) FRYERS



MAIL APPROVED DRAWINGS TO APPROPRIATE FACTORY. BELOW WEBSITE: WWW.HALTONCOMPANY.COM

REV.	DATE	BY	DESCRIPTION
1			
2			
3			
4			
5			
6			
7			

PROJECT: **CHICK-FL-A**

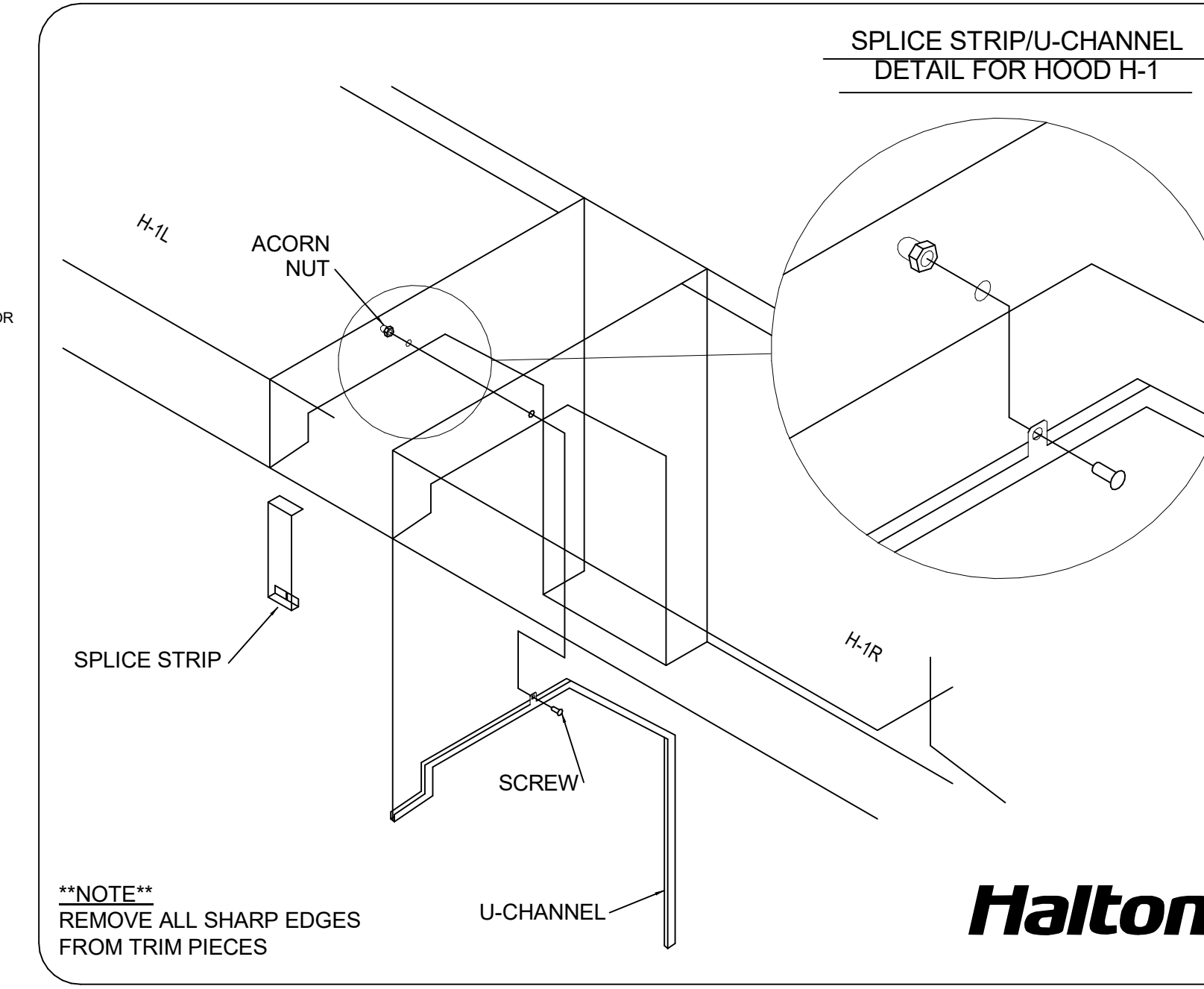
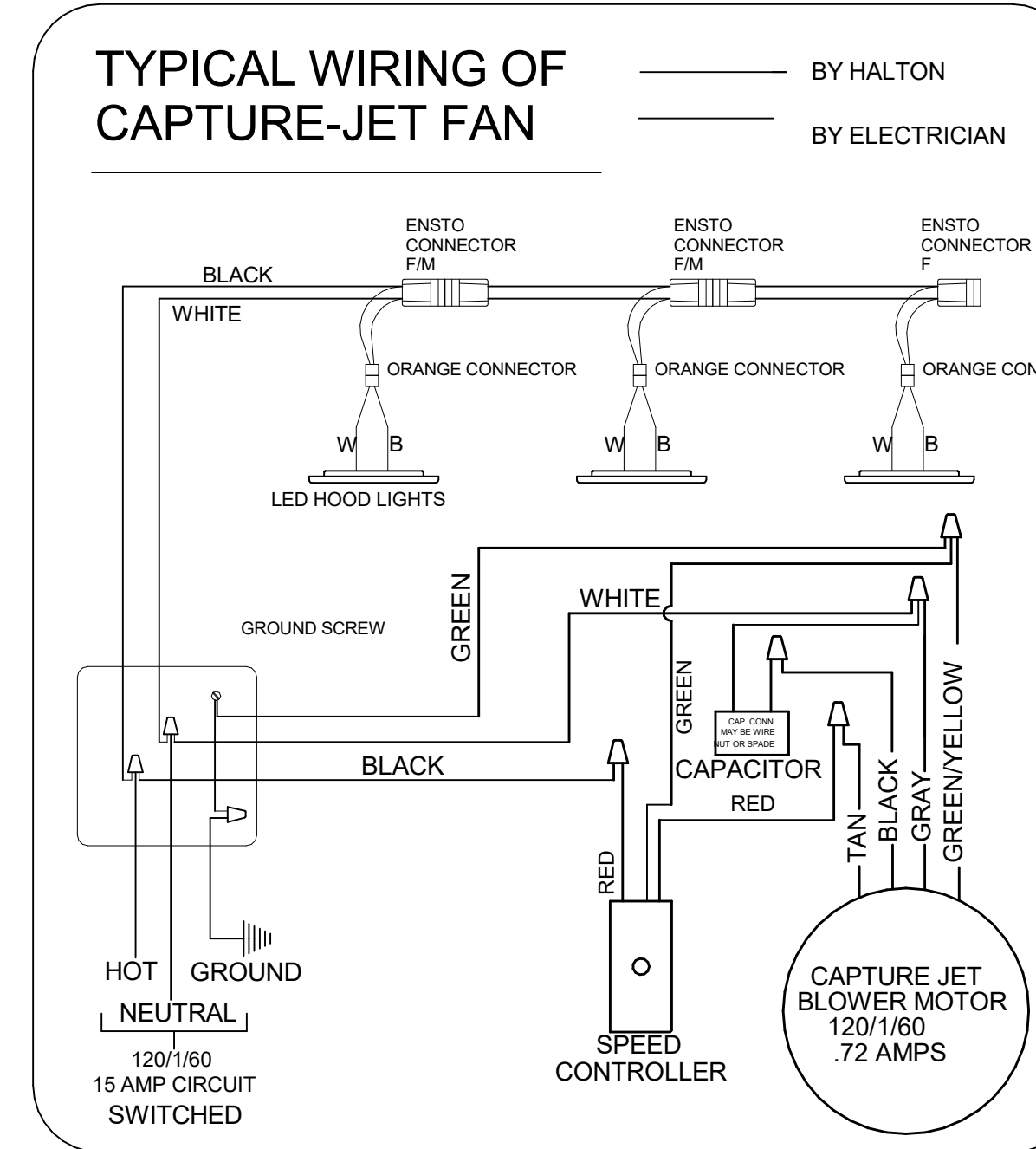
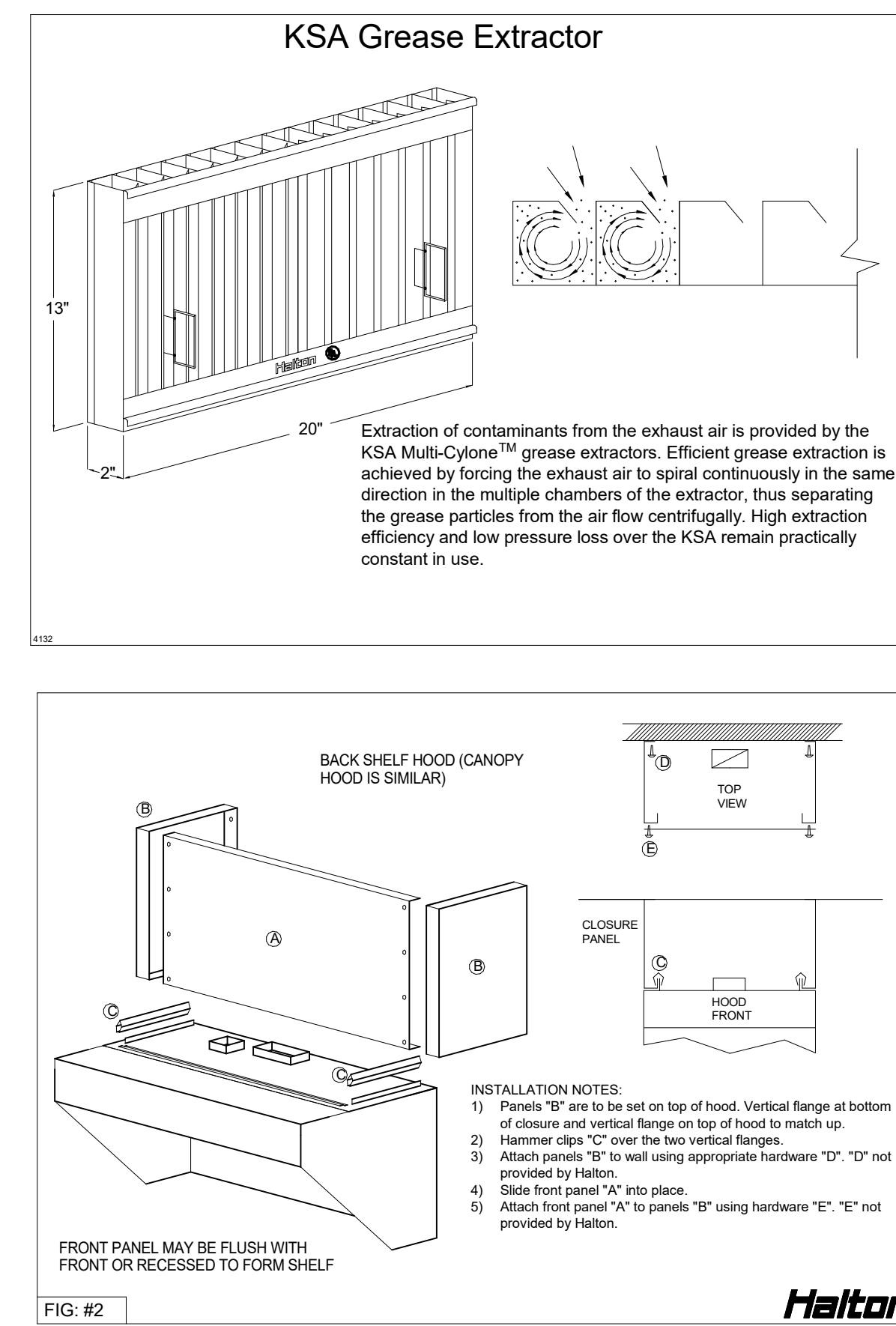
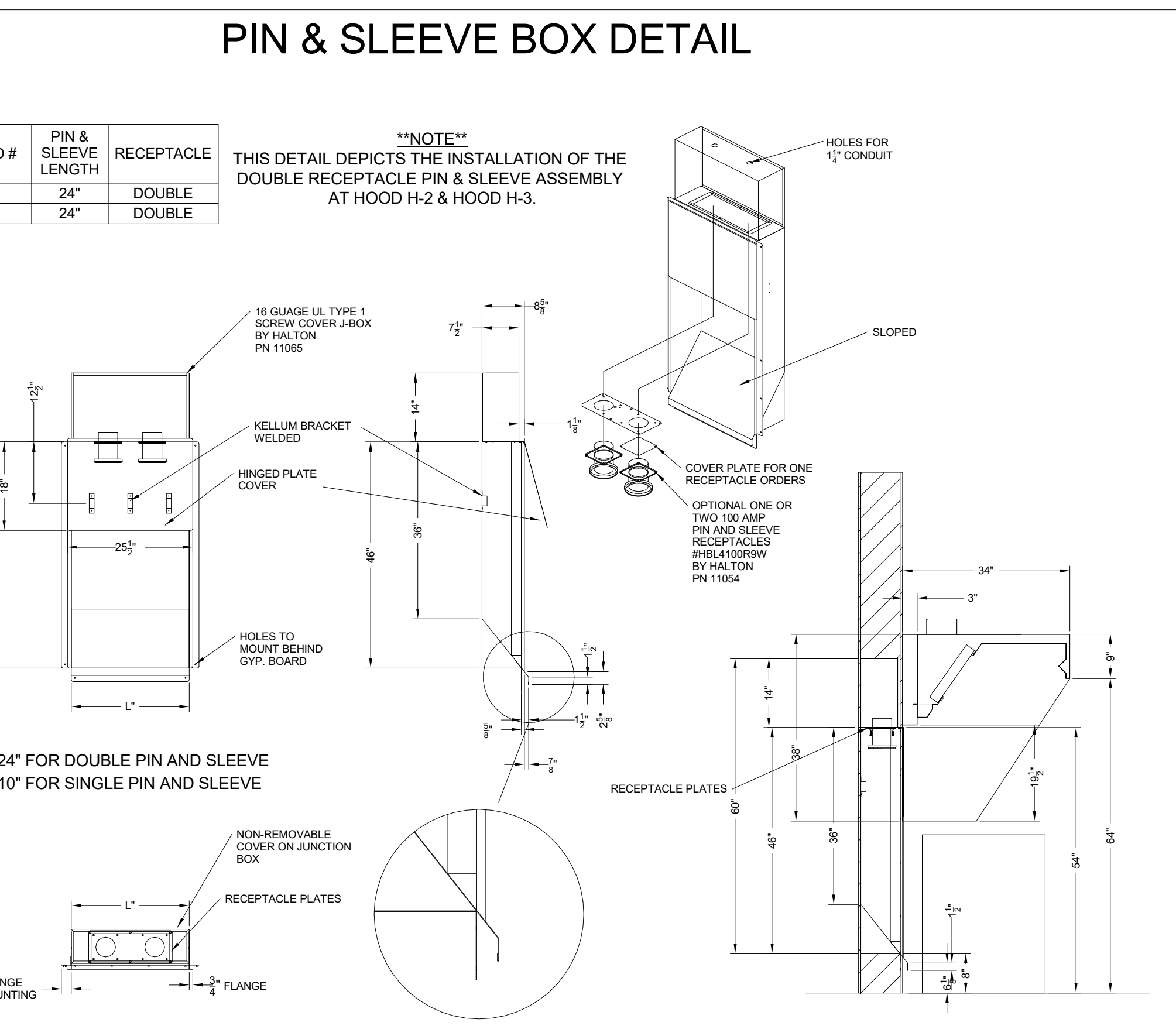
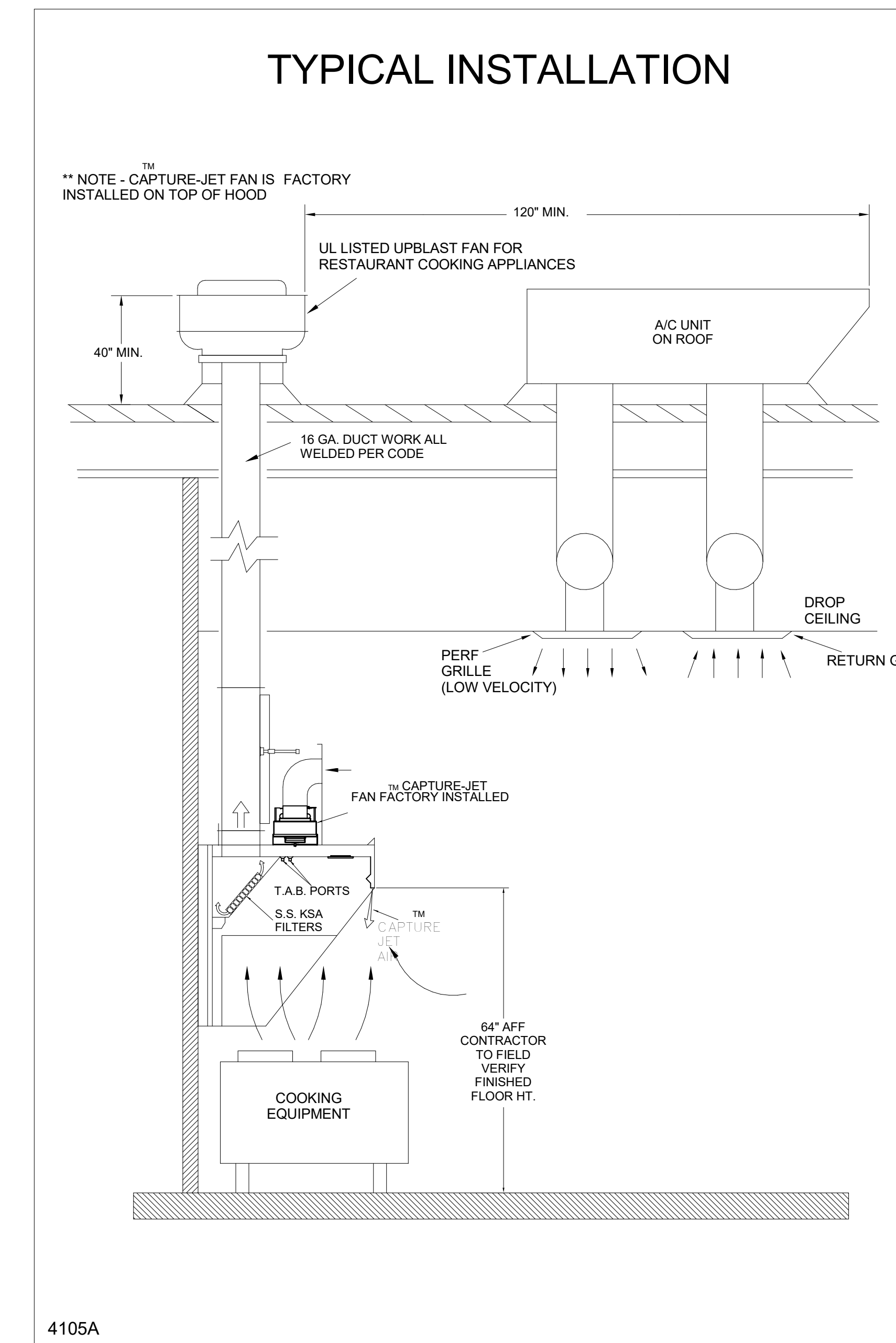
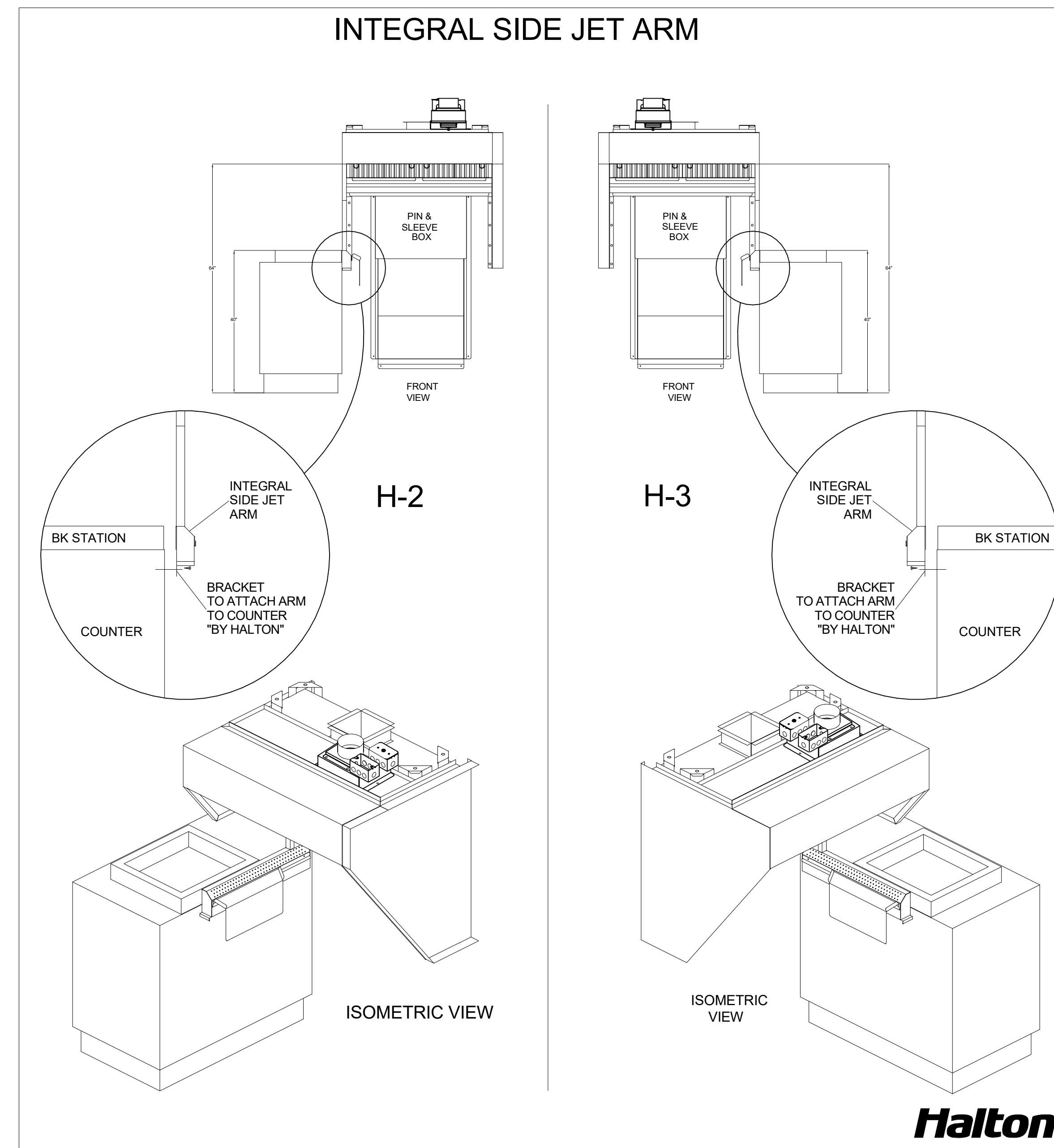
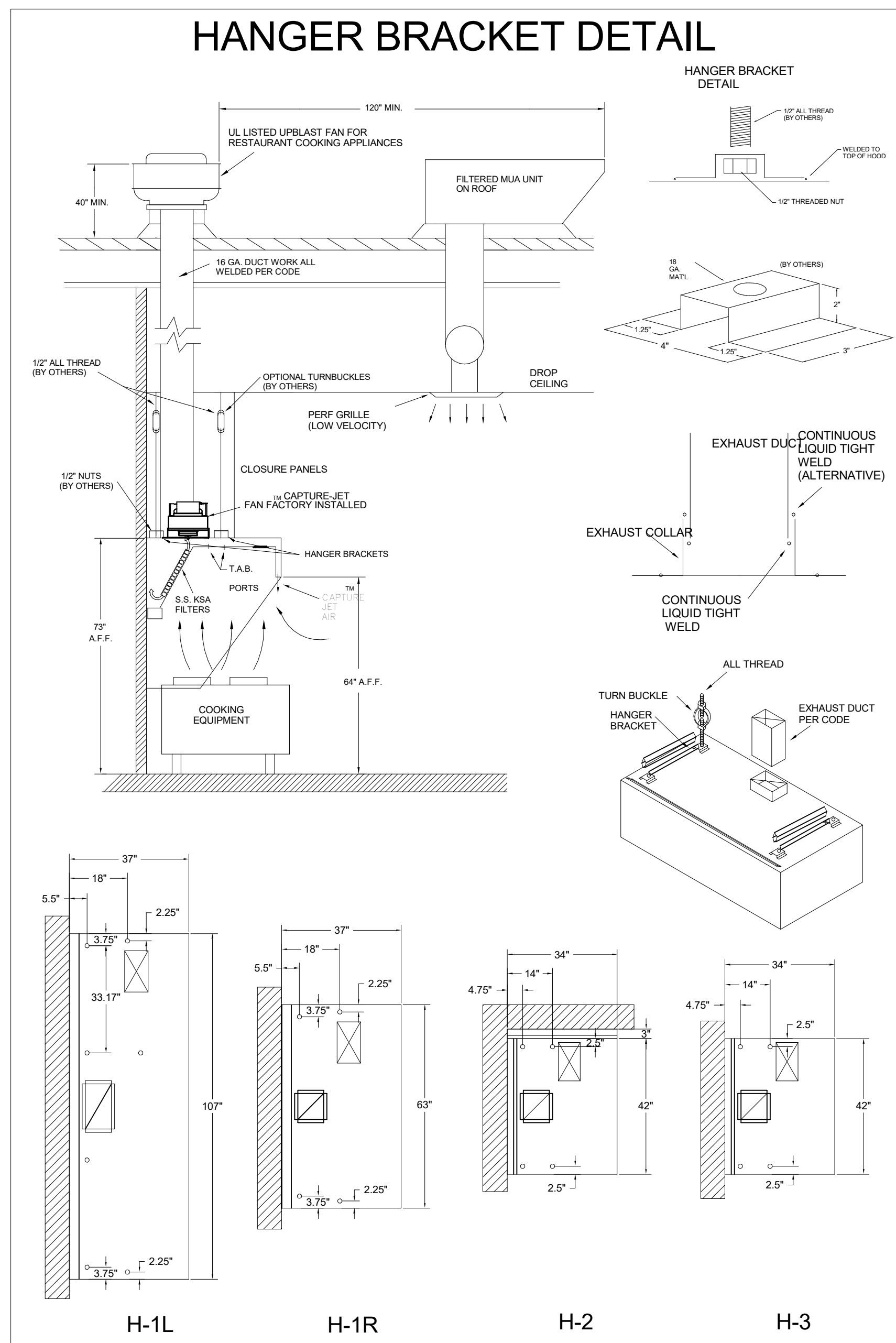
LOCATION: **Johnny Cash Pkwy FSU**

DRAWN BY: **NTS** DATE: **07/18/2024**

SCALE: **NTS**

SN#: **05708**

Halton logo and 'CAPRE FOR INDOOR AIR' text.



**HALTON HOODS**  
- ETL LISTED PER LATEST 710 STANDARD  
- BUILT PER NFPA 96  
- NSF LISTED

**NSF Halton** CONFORMS TO UL STD UL STD 710 CERTIFIED TO UL STD 5946

HALTON COMPANY, 101 INDUSTRIAL DR., SCOTTSVILLE, KY 42164

MODEL NO. SERIAL NO. ITEM NO.  
KVL-C-IC

**GENERAL REQUIREMENTS**  
FILTER TYPE EXHAUST HOOD FOR COMMERCIAL AND INSTITUTIONAL KITCHENS  
THE HOOD HAS BEEN CERTIFIED BY ETL FOR 6 INCH CLEARANCE TO COMBUSTIBLE MATERIALS (TOP, SIDE, FRONT AND REAR) IN COMPLIANCE WITH UL WITH CONSIDERATIONS TO NFPA 96.  
THE HOOD IS PROVIDED WITH REPLACEABLE KSA FILTERS AND LIGHTING FEATURES. SURFACE FILTERS ONLY WITH UL CLASSIFIED FILTER TYPE OF THE SAME MODEL AND MANUFACTURER.  
SUITABLE FOR USE TO MEDIUM DUTY COOKING APPLIANCES.

DUTY LEVEL	MINIMUM OVERHANG		DISTANCE BETWEEN FRONT EDGE OF HOOD AND COOKING SURFACE IN		MIN. EXHAUST HOOD LENGTH
	FRONT IN	SIDE IN	MIN	MAX	
MEDIUM	0	20	20	131	106
HEAVY	0	20	20	131	110
HEAVY	0	20	20	216	216

\* SETBACK UNDERHANG DISTANCE  
JET SUPPLY AIR FLOW SHALL ONLY BE SET AT 0.30 IN/HD

**NSF Halton** CONFORMS TO UL STD UL STD 710 CERTIFIED TO UL STD 5946

HALTON COMPANY, 101 INDUSTRIAL DR., SCOTTSVILLE, KY 42164

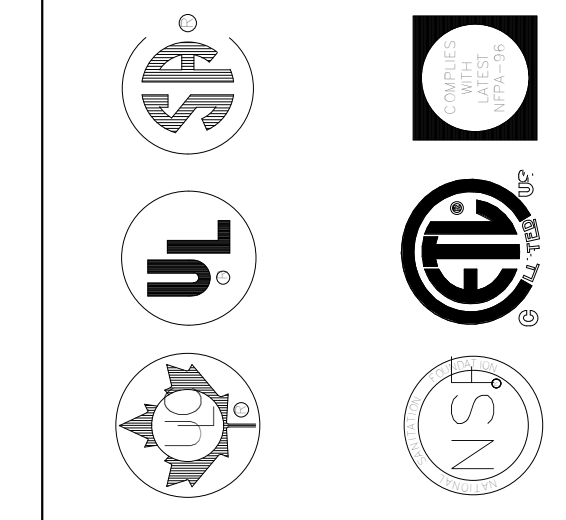
MODEL NO. SERIAL NO. ITEM NO.  
KVL-2-IC

**GENERAL REQUIREMENTS**  
FILTER TYPE EXHAUST HOOD FOR COMMERCIAL AND INSTITUTIONAL KITCHENS  
THE HOOD HAS BEEN CERTIFIED BY ETL FOR 6 INCH CLEARANCE TO COMBUSTIBLE MATERIALS (TOP, SIDE, FRONT AND REAR) IN COMPLIANCE WITH UL WITH CONSIDERATIONS TO NFPA 96.  
THE HOOD IS PROVIDED WITH REPLACEABLE KSA FILTERS AND LIGHTING FEATURES. SURFACE FILTERS ONLY WITH UL CLASSIFIED FILTER TYPE OF THE SAME MODEL AND MANUFACTURER.  
SUITABLE FOR USE TO HEAVY DUTY COOKING APPLIANCES.

DUTY LEVEL	MINIMUM OVERHANG		DISTANCE BETWEEN FRONT EDGE OF HOOD AND COOKING SURFACE IN		MIN. EXHAUST HOOD LENGTH
	FRONT IN	SIDE IN	MIN	MAX	
MEDIUM	0	20	20	131	106
HEAVY	0	20	20	131	110
HEAVY	0	20	20	216	216

\* SETBACK UNDERHANG DISTANCE  
JET SUPPLY AIR FLOW SHALL ONLY BE SET AT 0.30 IN/HD

**FOR REFERENCE ONLY**



MAIL APPROVED DRAWINGS TO APPROPRIATE FACTORY BELOW WEBSITE: WWW.HALTONCOMPANY.COM

HALTON CO. (USA)  
101 INDUSTRIAL DRIVE  
SCOTTSVILLE, KY 42164  
1-905-624-0301

HALTON CO. (CANADA)  
1021 BREVIK PLACE  
MISSISSAUGA, ON L4W 3R7  
1-270-237-5600

DATE: \_\_\_\_\_ BY: \_\_\_\_\_

REV. 1 \_\_\_\_\_ DESCRIPTION: \_\_\_\_\_

REV. 2 \_\_\_\_\_

REV. 3 \_\_\_\_\_

REV. 4 \_\_\_\_\_

REV. 5 \_\_\_\_\_

REV. 6 \_\_\_\_\_

REV. 7 \_\_\_\_\_

PROJECT: **CHICK-FL-A**

LOCATION: **Johnny Cash Pkwy FSU**

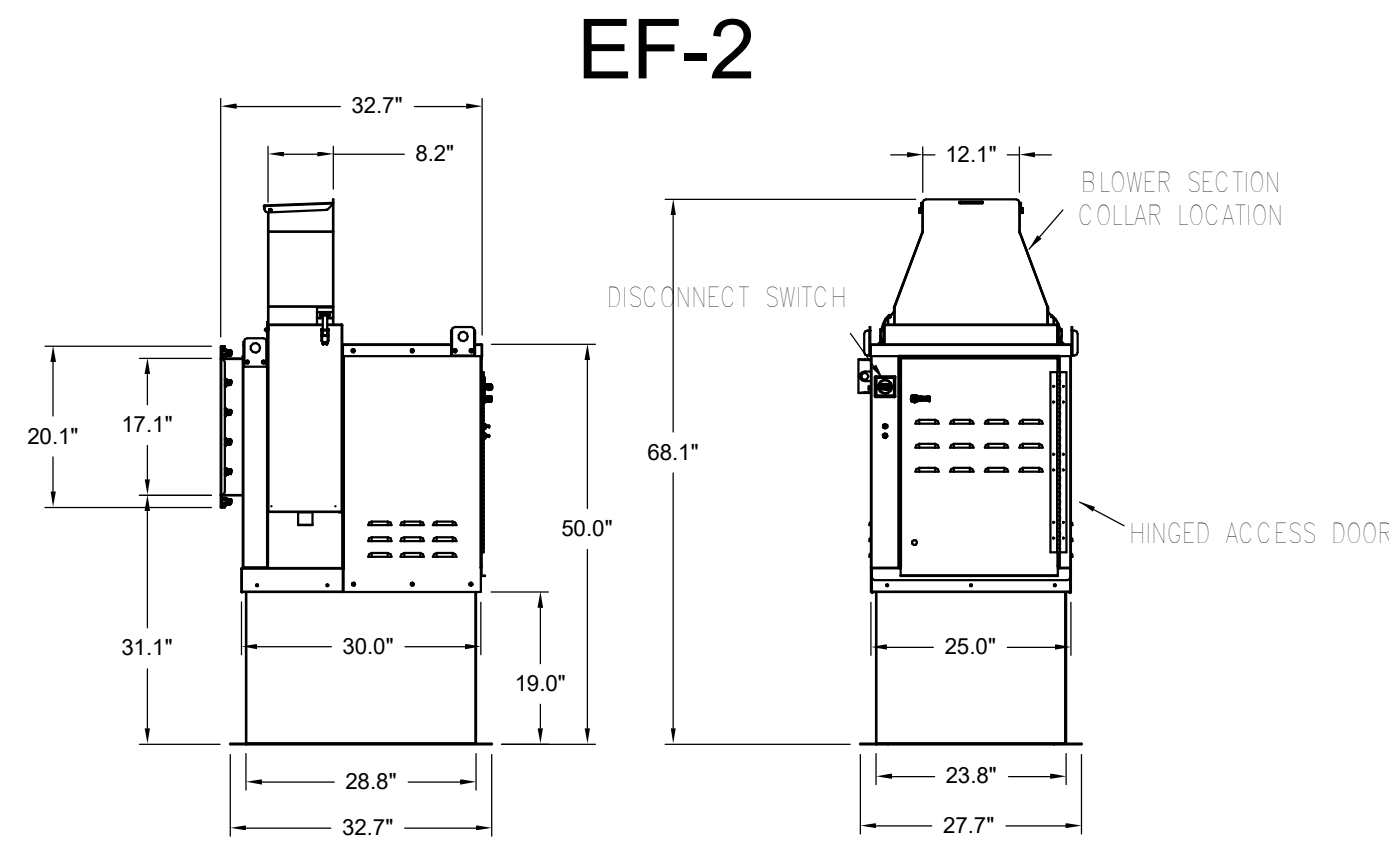
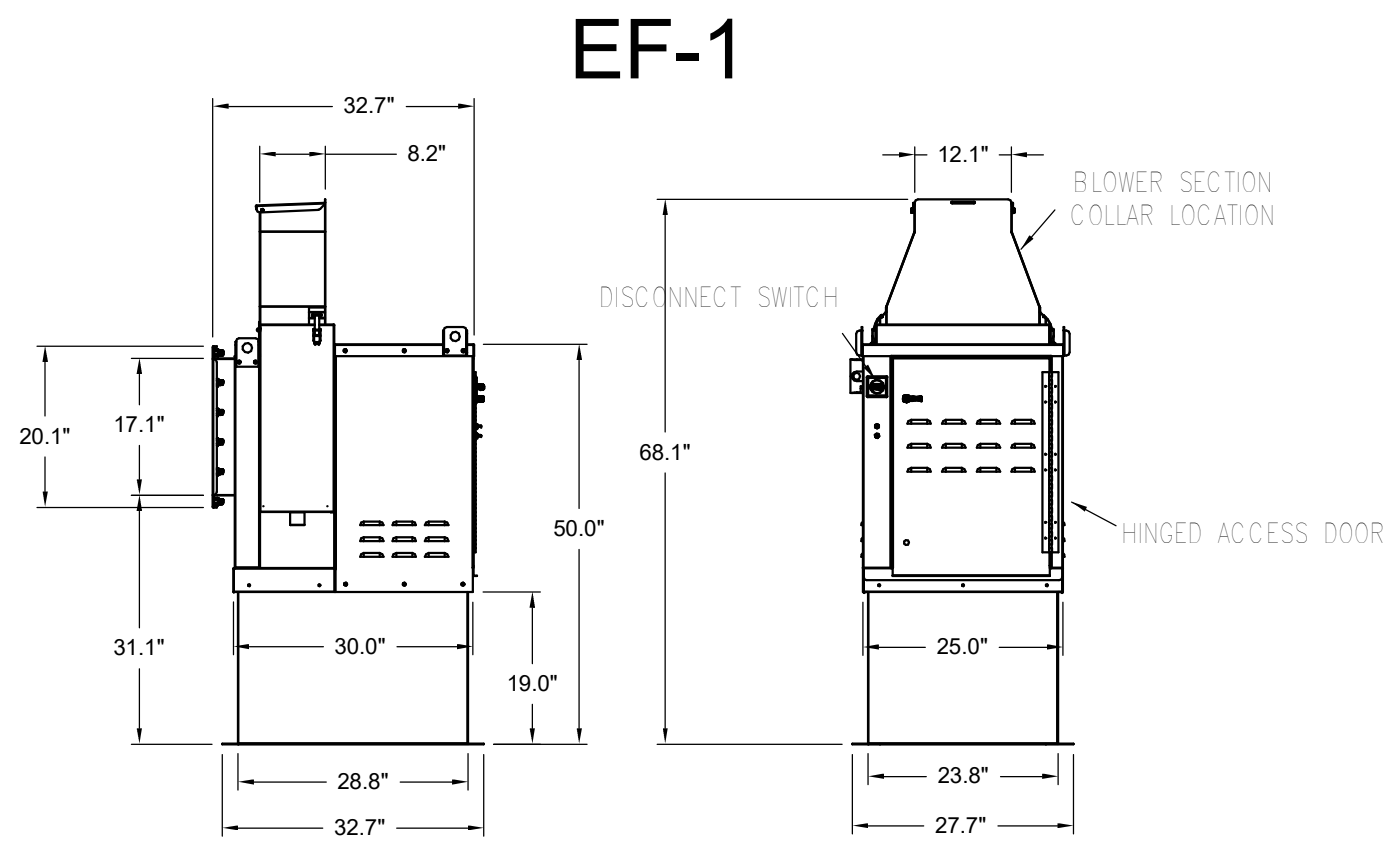
DRAWN BY: **DATE: 07/18/2024**

SCALE: **NTS**

Halton Dwg:

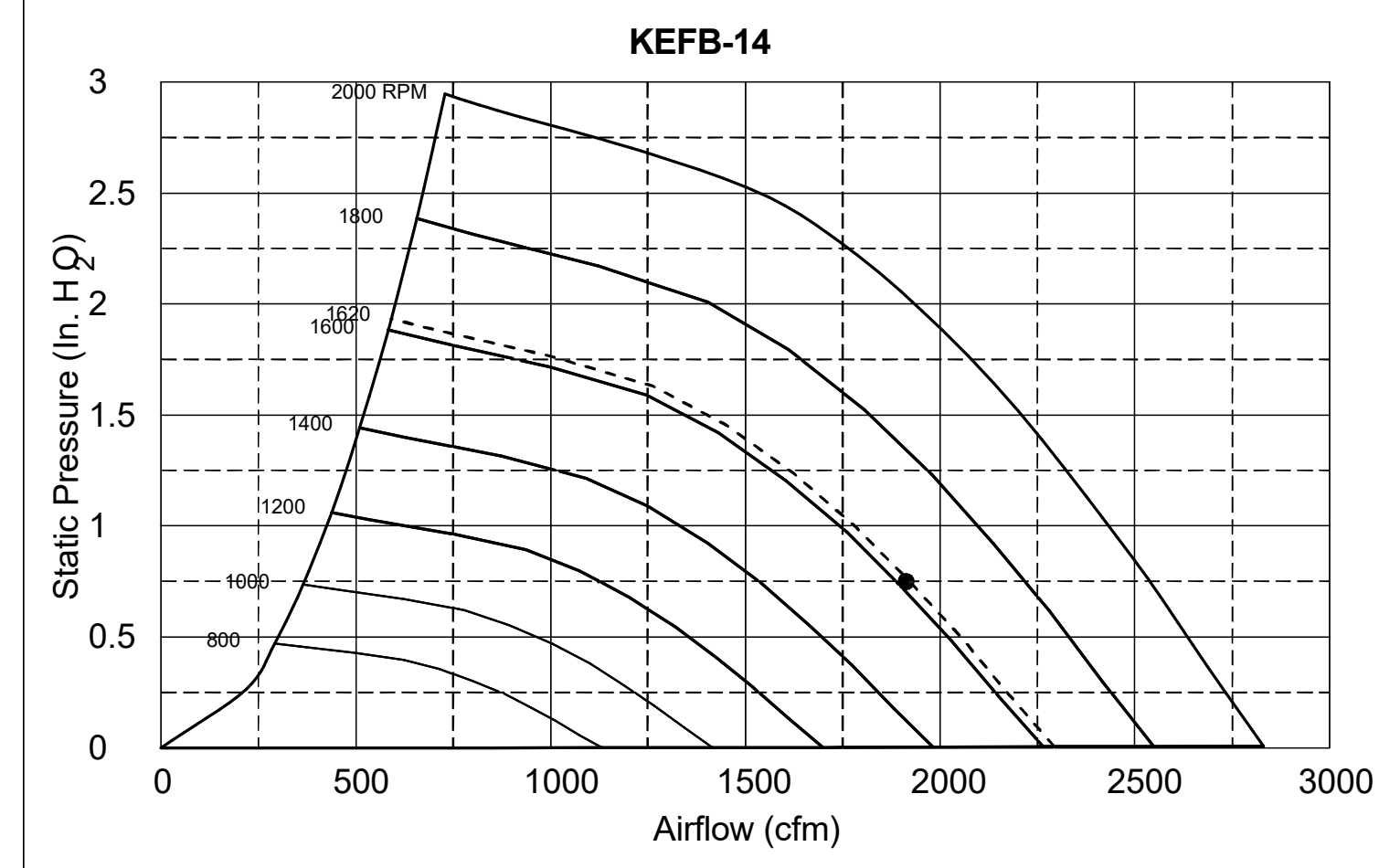


**FOR REFERENCE ONLY**



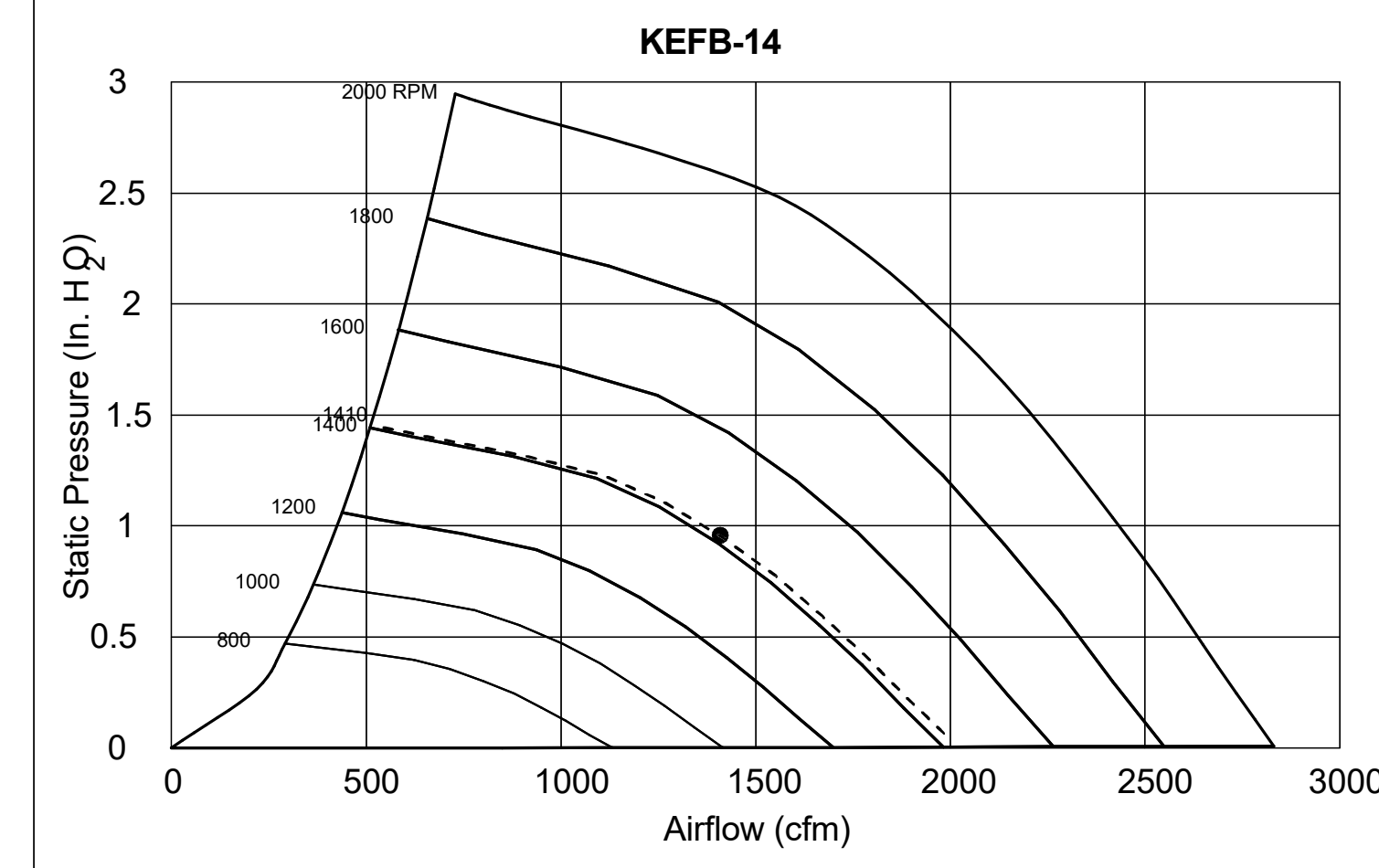
Halton KEFB Exhaust Fan

Job Name	Chick-FLA	Location	EF-1	Item No	1747	Qty	115/160	Motor HP	0.75	Volts/Ph/Amprs	115/1/60	Static Pressure, in WC	4
Model	KEFB-14	Fan RPM	1,813	Fan BHP	0.55	dB	85.3	TAB Port, in WC	4				



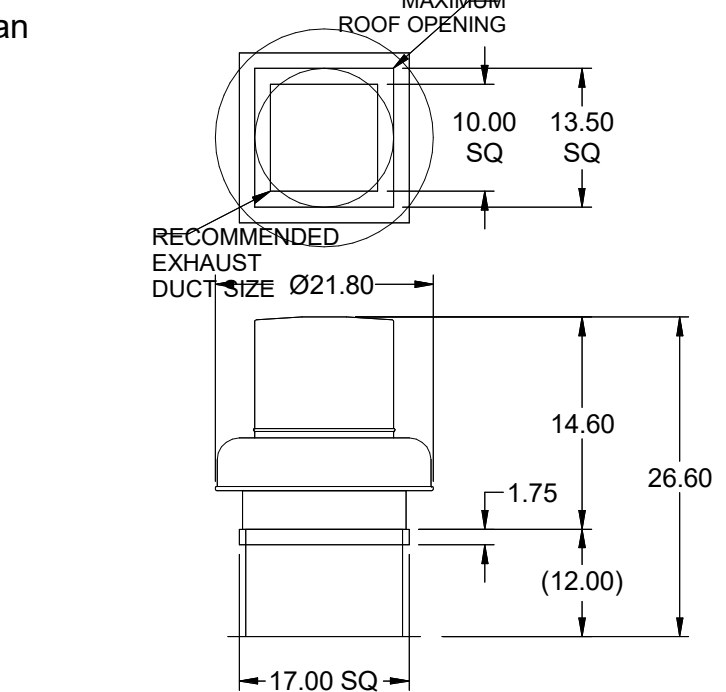
Halton KEFB Exhaust Fan

Job Name	Chick-FLA	Location	EF-2	Item No	1,822	Qty	115/160	Motor HP	0.75	Volts/Ph/Amprs	115/1/60	Static Pressure, in WC	2.1
Model	KEFB-14	Fan RPM	1,402	Fan BHP	0.33	dB	81.6	TAB Port, in WC	2.1				



Model: XRED-095-VG  
Direct Drive Centrifugal Roof Exhaust Fan

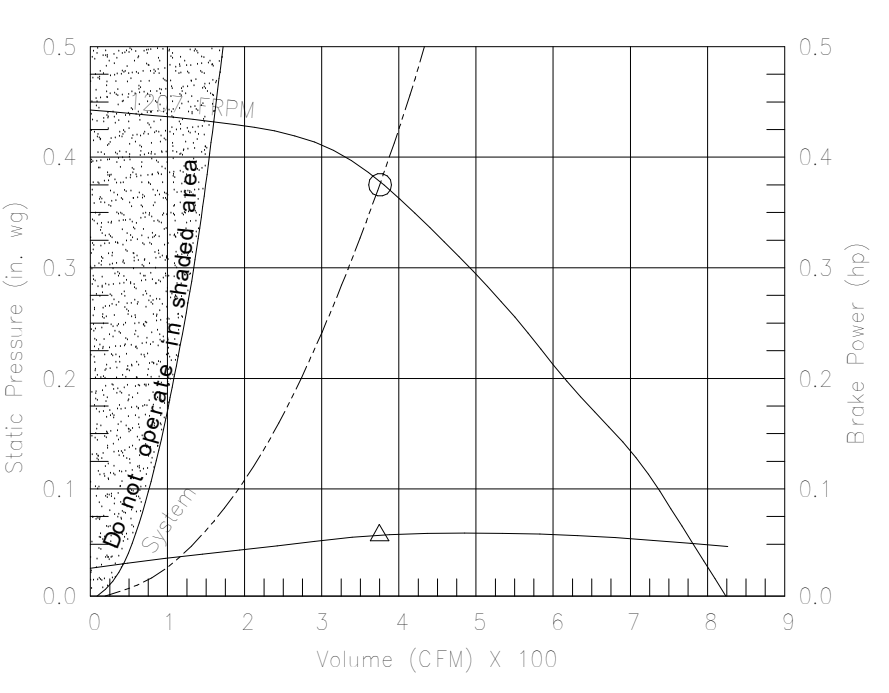
Dimensional	
Quantity	1
Weight w/o Acc's (lb)	28
Weight w/ Acc's and Curb (lb)	35
Standard Curb Cap Size (in.)	17 x 17
Optional Damper (in.)	10 x 10
Roof Opening (in.)	13.5 x 13.5
Performance	
Requested Volume (CFM)	375
Actual Volume (CFM)	375
Total External SP (in. wg)	0.375
Fan RPM	1207
Operating Power (hp)	0.05
Elevation (ft)	23
Airstream Temp (F)	70
Air Density (lb/ft <sup>3</sup> )	0.075
Tip Speed (ft/min)	3,437
Static Eff. (%)	41
Misc Fan Data	
Fan Eff. Index (FEI)	-
Outlet Velocity (ft/min)	323



Motor	
Motor Mounted	Yes
Size (hp)	1/8 (or greater)
Voltage/Cycle/Phase	115/60/1
Enclosure	ODP
Motor RPM	1550
Efficiency Rating	Standard
Windings	1

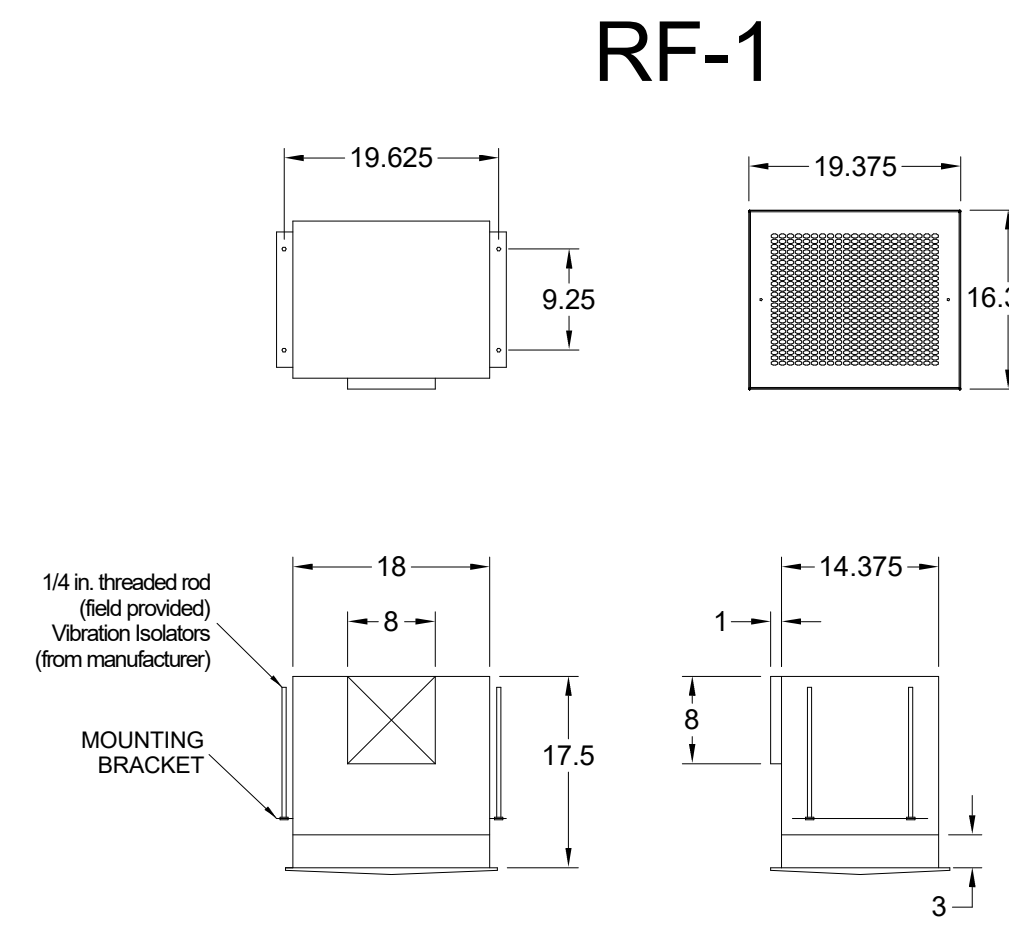
EF-3

OVERALL HEIGHT MAY BE GREATER DEPENDING ON MOTOR, ADAPTER, AND/OR HINGE BASE.

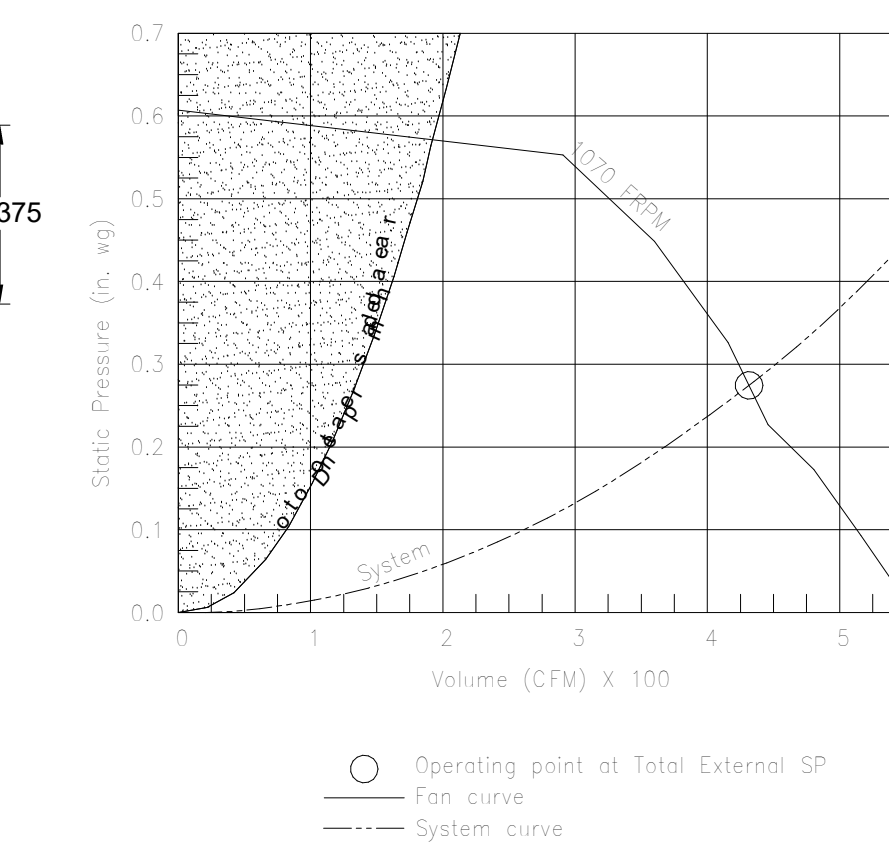


Model: SP-A510-VG

Dimensional	
Quantity	1
Weight w/o Acc's (lb)	31
Weight w/ Acc's (lb)	40
Performance	
Requested Volume (CFM)	450
Actual Volume (CFM)	431
Total External SP (in. wg)	0.275
Fan RPM	1070
* FLA (A)	3.3
Elevation (ft)	23
Airstream Temp (F)	70
Air Density (lb/ft <sup>3</sup> )	0.075
Sones	4.5
Motor	
Motor Mounted	Yes
** Input Watts (W)	224
Voltage/Cycle/Phase	115/60/1
Enclosure	ODP

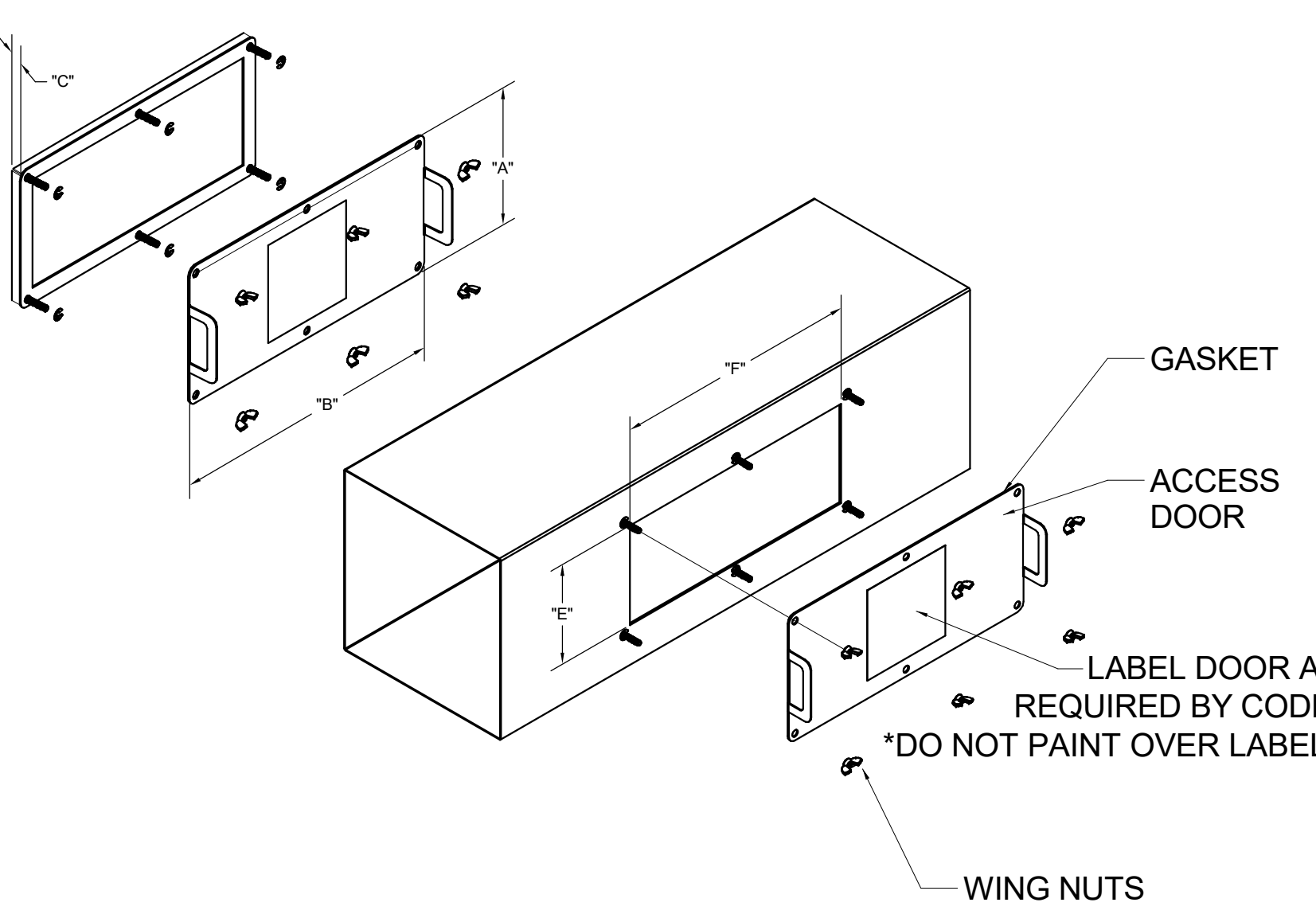


RF-1

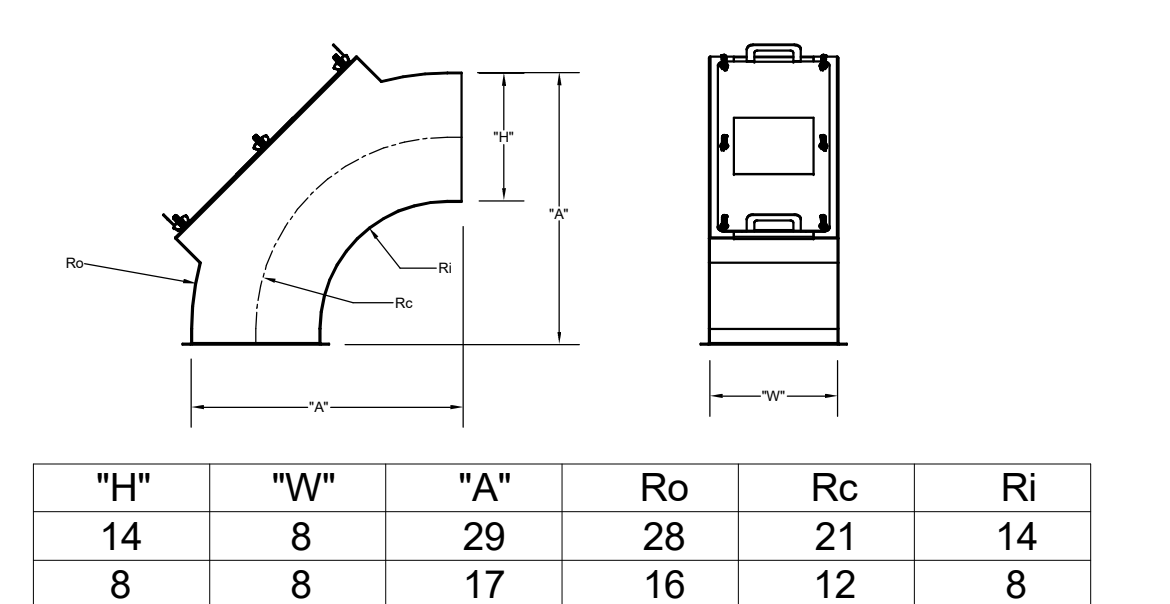
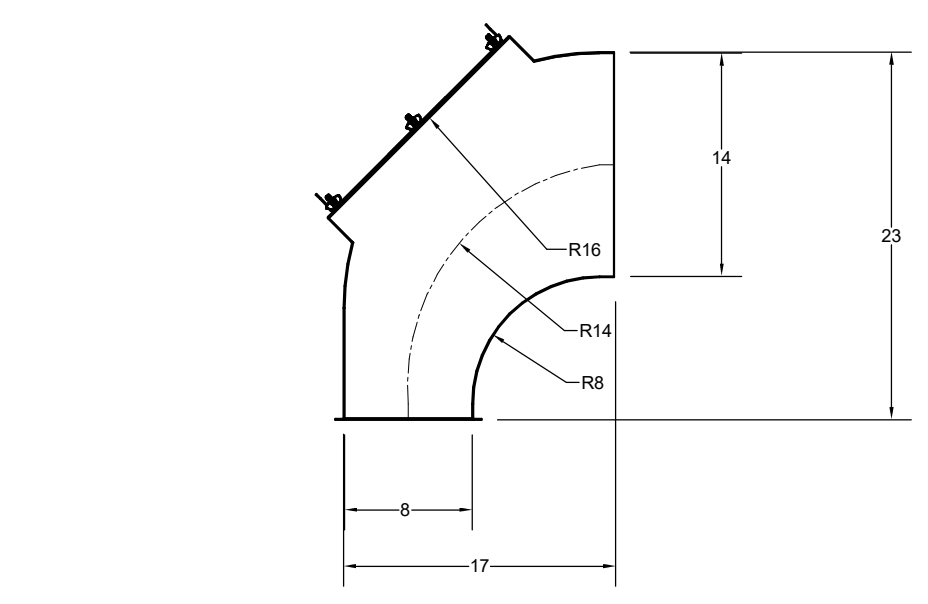


MODEL	GREASE ACCESS DOOR		DOOR SCHEDULE		
	"A"ZE	"B"	"C"	"E"	"F"
KAP0715	7	15	FLAT	5.5	13.5
KAP1015	10	15	1/2	7	12

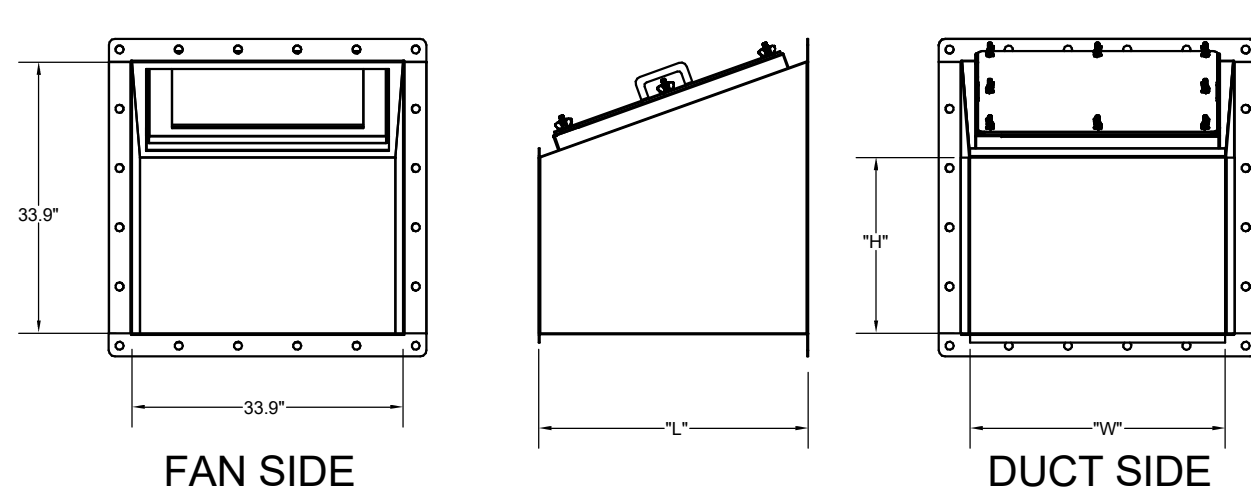
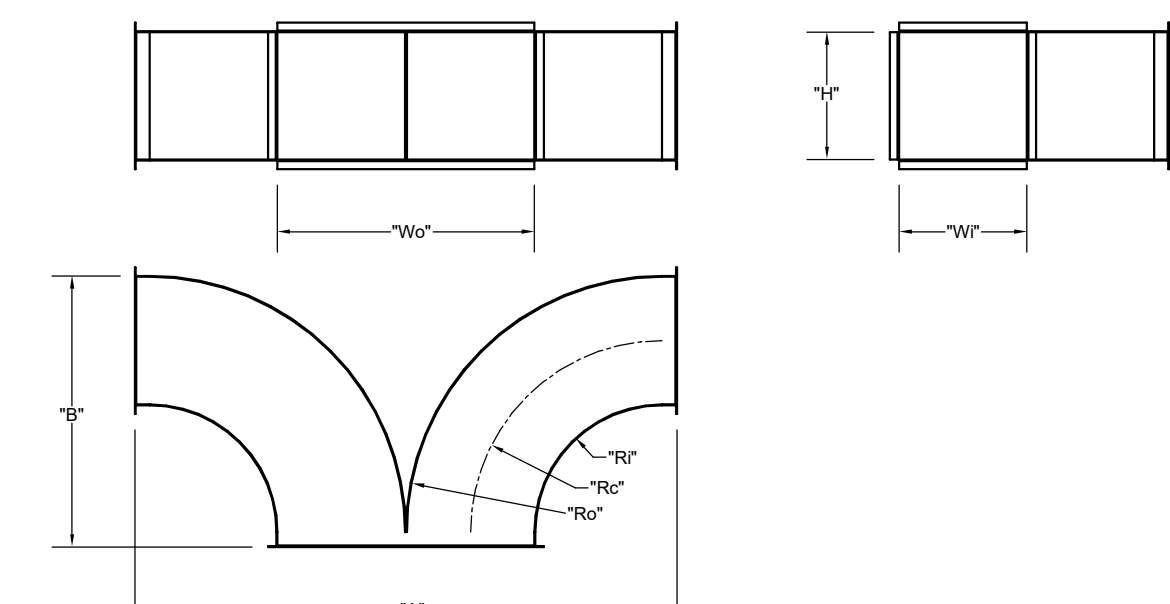
ACCESS DOORS SHALL BE U.L. 1978 LISTED OR FIELD FABRICATED, REQUIRE NO TOOLS FOR REMOVAL AND MEET THE REQUIREMENTS OF THE CURRENT EDITION OF THE I.M.C. ACCESS DOOR SHALL BE SECURED WITH THUMB SCREWS. ACCESS DOORS SHALL BE SEALED WITH A MINIMUM 1500 DEREZ GASKET MATERIAL.



INSTALL PER MANUFACTURER'S INSTRUCTIONS

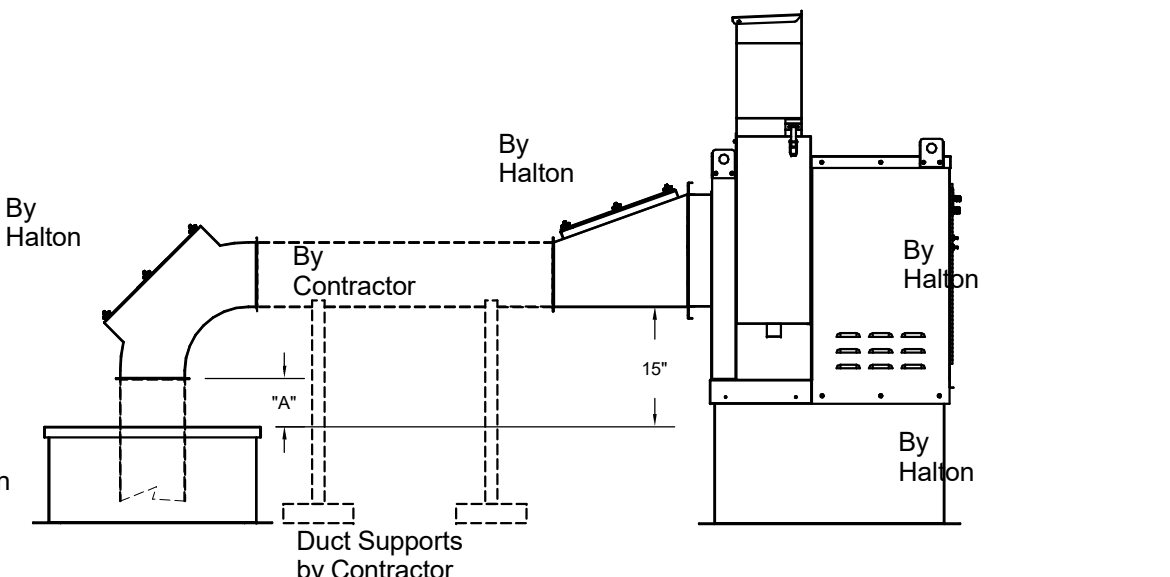


"H"	"W"	"A"	Ro	Rc	Ri
14	8	29	28	21	14
8	8	17	16	12	8



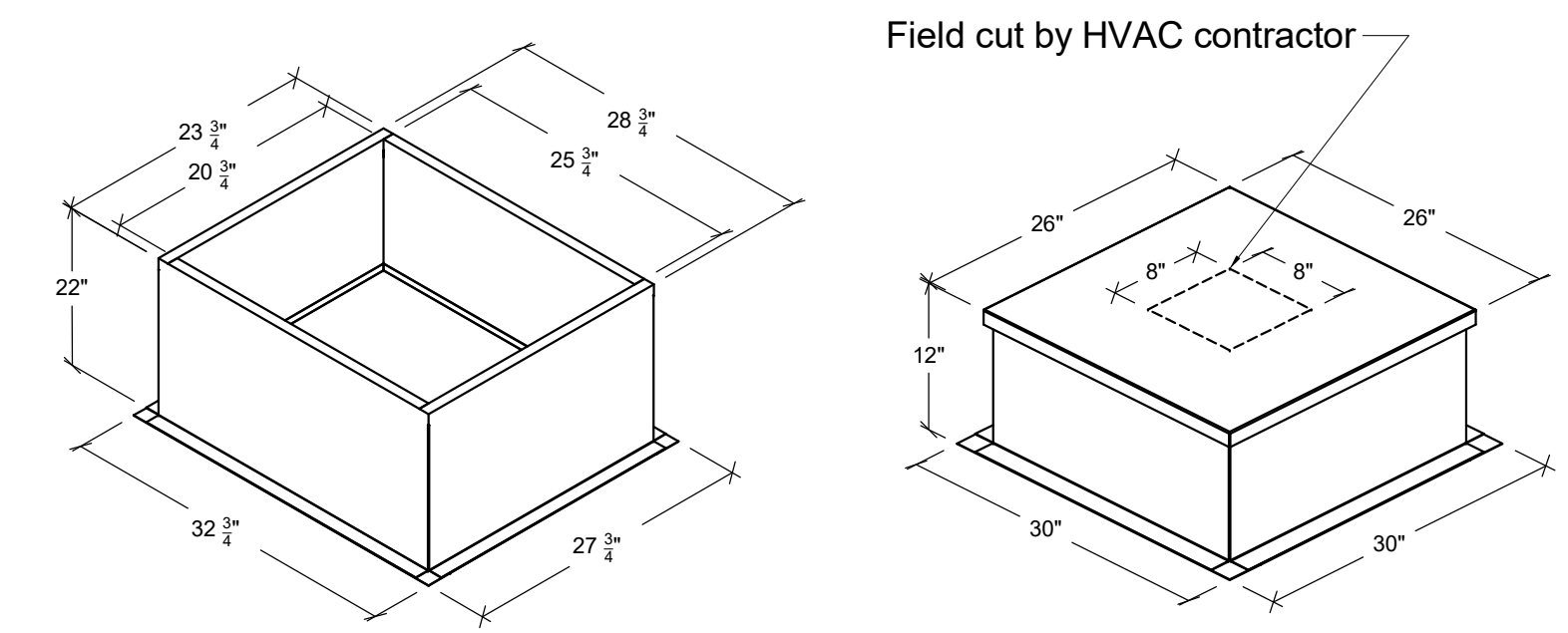
"Wi"	"H"	Wo	Ro	Rc	Ri	"A"	"B"
8	14	16	16	12	8	34	17
8	10	16	16	12	8	34	17

TRANSITION	"H"	"W"	"L"
EF-1	5	14	25
EF-2	6	10	17



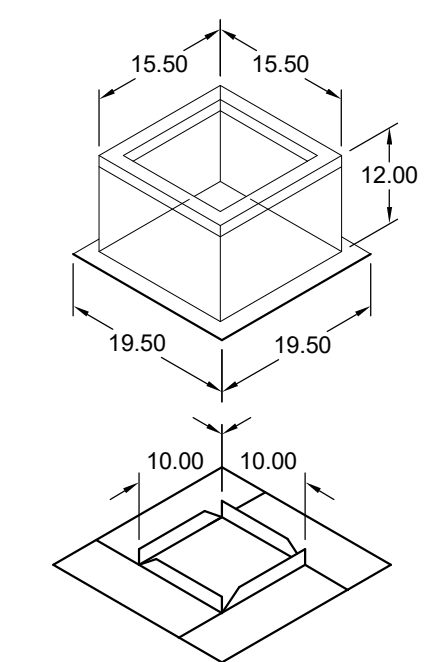
"A" DISTANCE AVAILABLE FOR DUCT SLOPE ELBOW	"A"
EF-1	14x8
EF-2	8x8

Halton Kitchen Exhaust Fan Curb Insulated Duct Curb



**Kitchen Exhaust Fan Roof Curb Standard Construction Features:**  
- Roof Curb fits between the building roof and the fan mounted directly to the roof support structure - Constructed of 18 ga aluminum steel - Straight Sided without a cant - 2 in. mounting flange - Height is 22 in.

**Insulated Duct Curb Standard Construction Features:**  
- Duct Curb fits between the building roof and the fan mounted directly to the roof support structure - Constructed of 18 ga aluminum steel - Straight Sided without a cant - 2 in. mounting flange - Height is 12 in. - 16 ga. cap



Model: GPI For Model: XRED-090-VG Curb & Damper Tray

Accessories	
Material	Galvanized
Security Bars	No
Insulation	Linear
Insulation R Value	1 R4.3

General	
Tag	1
Qty	1
Model	GPI-17
Sizing Method	Nominal
Undersizing (in.)	1.5
Weight (lb)	14
Shipped Assembled	Yes
Union Label	No Preference
Dimensions	
Curb Height (in.)	12
Nominal Outside Width (in.)	17
Nominal Outside Length (in.)	17
Actual Outside Width (in.)	15.5
Actual Outside Length (in.)	15.5
Actual Inside Width (in.)	12
Actual Inside Length (in.)	12
Flange Width (in.)	19.5
Hinge Base Length (in.)	16

MAIL APPROVED DRAWINGS TO APPROPRIATE FACTORY BELOW WEBSITE: WWW.HALTONCOMPANY.COM

PROJECT: **CHICK-FLA**

LOCATION: **Johnny Cash Pkwy FSU**

DRAWN BY: **NTS** DATE: **07/18/2024** SCALE: **NTS**

REVISION DESCRIPTION

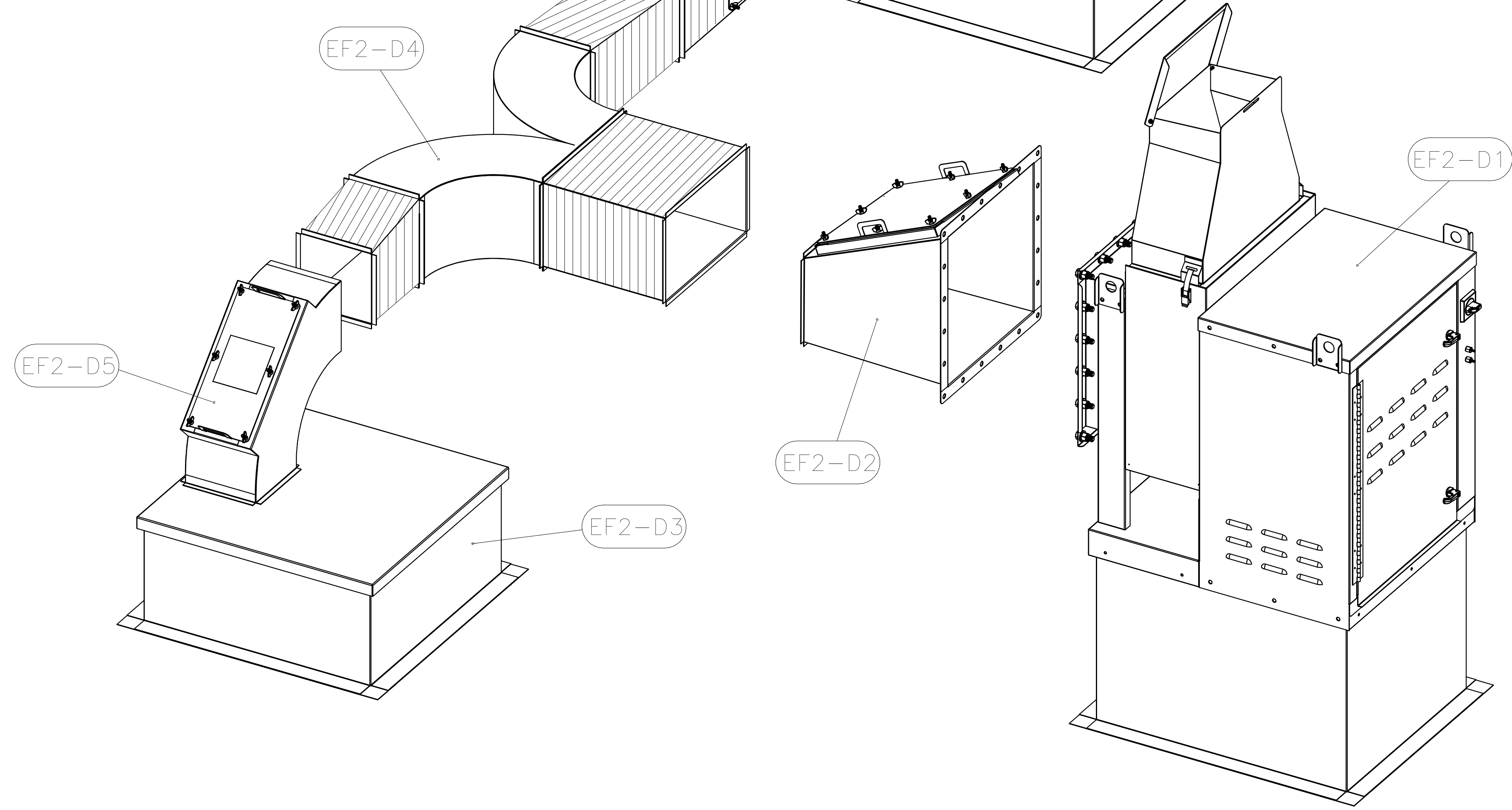
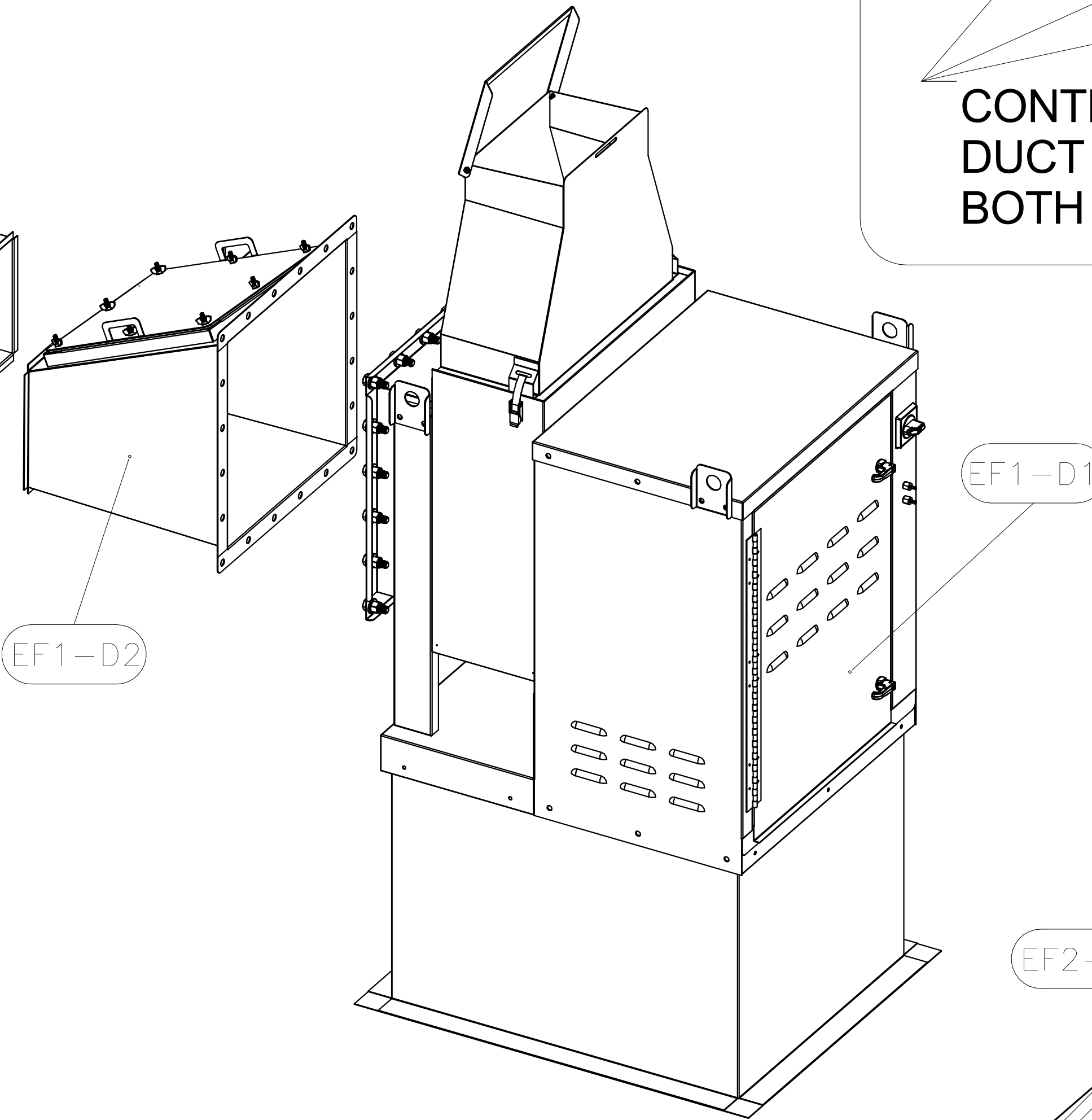
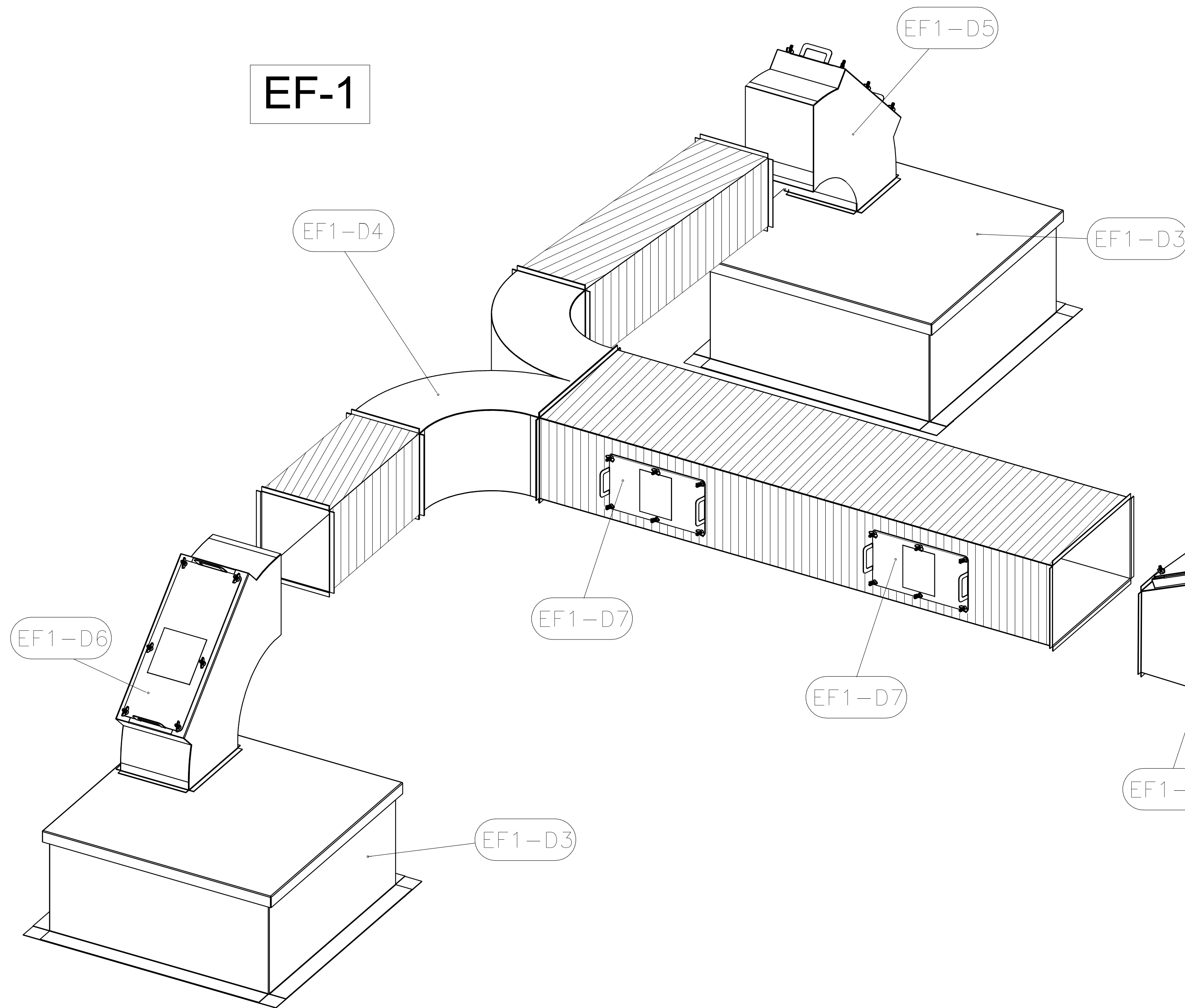
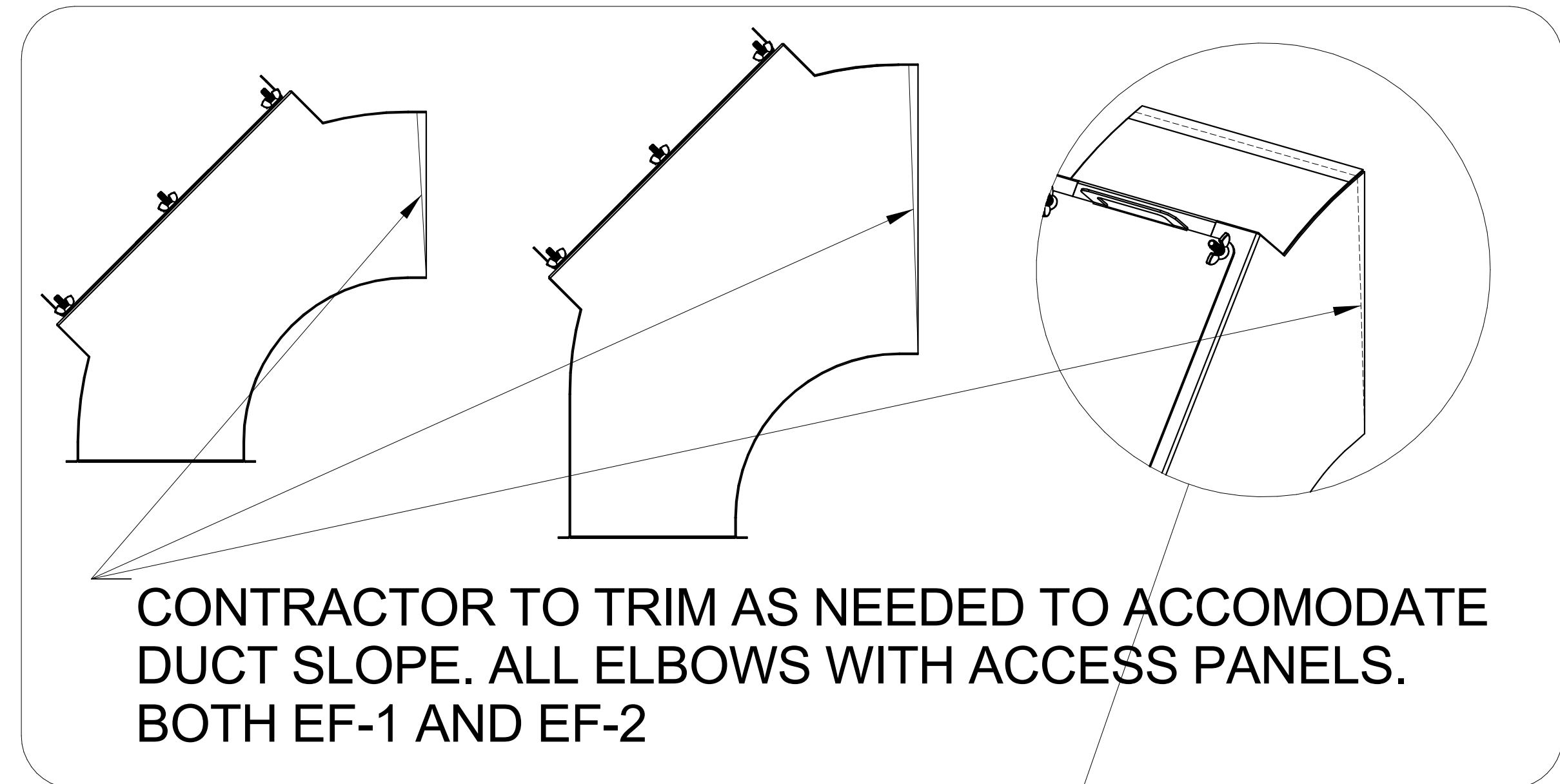
REV.	DATE	BY
1		
2		
3		
4		
5		
6		
7		

SN#: **05708**

Halton  
CARE FOR INDOOR AIR

Sheet **MH-1.4**

**FOR REFERENCE ONLY**



EXHAUST FAN #1 (EF-1)		
ITEM	DESCRIPTION	QTY
EF1-D1	KEFB EXHAUST FAN W/ ROOF CURB	1
EF1-D2	FAN TRANSITION W/ UL LISTED ACCESS PANEL 14X16	1
EF1-D3	DUCT ROOF CURB W/ CAP 26X26X12	2
EF1-D4	LONG SWEEPING WYE 14X8	1
EF1-D5	LONG SWEEPING ELBOW TRANS W/ UL LISTED ACCESS PANEL 8X8 TO 8X14	1
EF1-D6	LONG SWEEPING ELBOW W/ UL LISTED ACCESS PANEL 14X8	1
EF1-D7	UL LISTED ACCESS PANEL 10X15	2

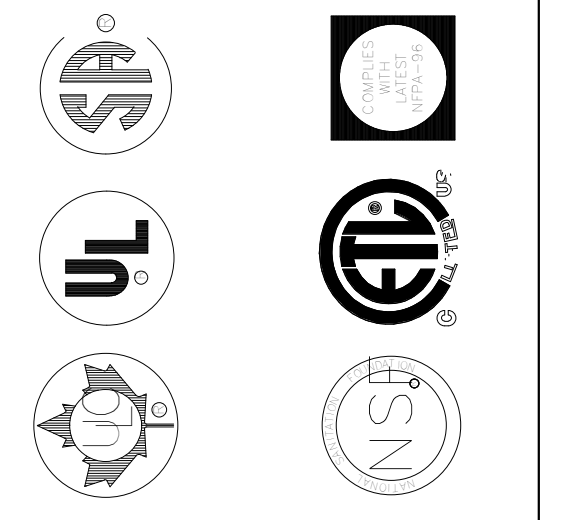
EXHAUST FAN #2 (EF-2)		
ITEM	DESCRIPTION	QTY
EF2-D1	KEFB EXHAUST FAN W/ ROOF CURB	1
EF2-D2	FAN TRANSITION W/ UL LISTED ACCESS PANEL 10X16	1
EF2-D3	DUCT ROOF CURB W/ CAP 26X26X12	2
EF2-D4	LONG SWEEPING WYE 8X10	1
EF2-D5	LONG SWEEPING ELBOW W/ UL LISTED ACCESS PANEL 8X8	2
EF2-D6	UL LISTED ACCESS PANEL 7X15	2

-CONTACT HALTON CUSTOMER SERVICE FOR HALTON PROVIDED ITEMS ONLY DUCT SECTIONS SPECIFIED BY NUMBERS AND SHOWN IN THE ABOVE CHART ARE PROVIDED BY HALTON

-ALL OTHER DUCTS AND FITTINGS BY HVAC CONTRACTOR. DUCT SECTIONS PROVIDED BY HVAC CONTRACTOR ARE SHOWN IN ORDER TO DEPICT TOTAL SYSTEM DESIGN. DUCT SECTIONS SHOWN WITH UL LISTED ACCESS PANELS, THAT ARE NOT HALTON PROVIDED LONG SWEEPING ELBOWS OR FAN TRANSITIONS, ARE PROVIDED BY HVAC CONTRACTOR. THE UL LISTED ACCESS PANELS PROVIDED BY HALTON MUST BE INSTALLED IN DUCT SECTIONS NOT PROVIDED BY HALTON BY HVAC CONTRACTOR.

**-ALL DUCTS AND FITTINGS DEPICTED BY HATCH AREAS ARE BY HVAC CONTRACTOR.**

THE DRAWING MUST BE CHECKED, SIGNED AND RETURNED TO THE APPROPRIATE FACTORY. PLEASE VERIFYING THE FOLLOWING:  
 1. ALL DIMENSIONAL INFORMATION, MOUNTING POSITIONS AND CLEARANCES.  
 2. THE TYPE OF COOKING EQUIPMENT.  
 3. THE TYPE OF EXHAUST AIRFLOW, HALTON MUST BE NOTIFIED IF THESE CHANGES OCCUR, A RECALCULATION, EXHAUST AIRFLOW MAY BE REQUIRED.  
 REVISE AND RESUBMIT  
 APPROVED FOR FABRICATION  
 WITH NO CHANGES  
 WITH CHANGES AS NOTED  
 APPROVED BY: \_\_\_\_\_ DATE: \_\_\_\_\_



MAIL APPROVED DRAWINGS TO APPROPRIATE FACTORY. BELOW WEBSITE: WWW.HALTONCOMPANY.COM

HALTON CO. (CANADA) 1021 BREVIK PLACE MISSISSAUGA, ON L4W 3R7 1-905-624-0301	HALTON CO. (USA) 101 INDUSTRIAL DRIVE SCOTTSDALE, AZ 85264 1-270-237-5600
---	--

REV. 1  
2  
3  
4  
5  
6  
7

PROJECT: **CHICK-FL-A**  
 LOCATION: **Johnny Cash Pkwy FSU**  
 DRAWN BY: **DATE: 07/18/2024**  
 SCALE: **NTS**  
 Halton Dwg: \_\_\_\_\_

Sheet **MH-1.5**

**Halton**  
 CARE FOR INDOOR AIR