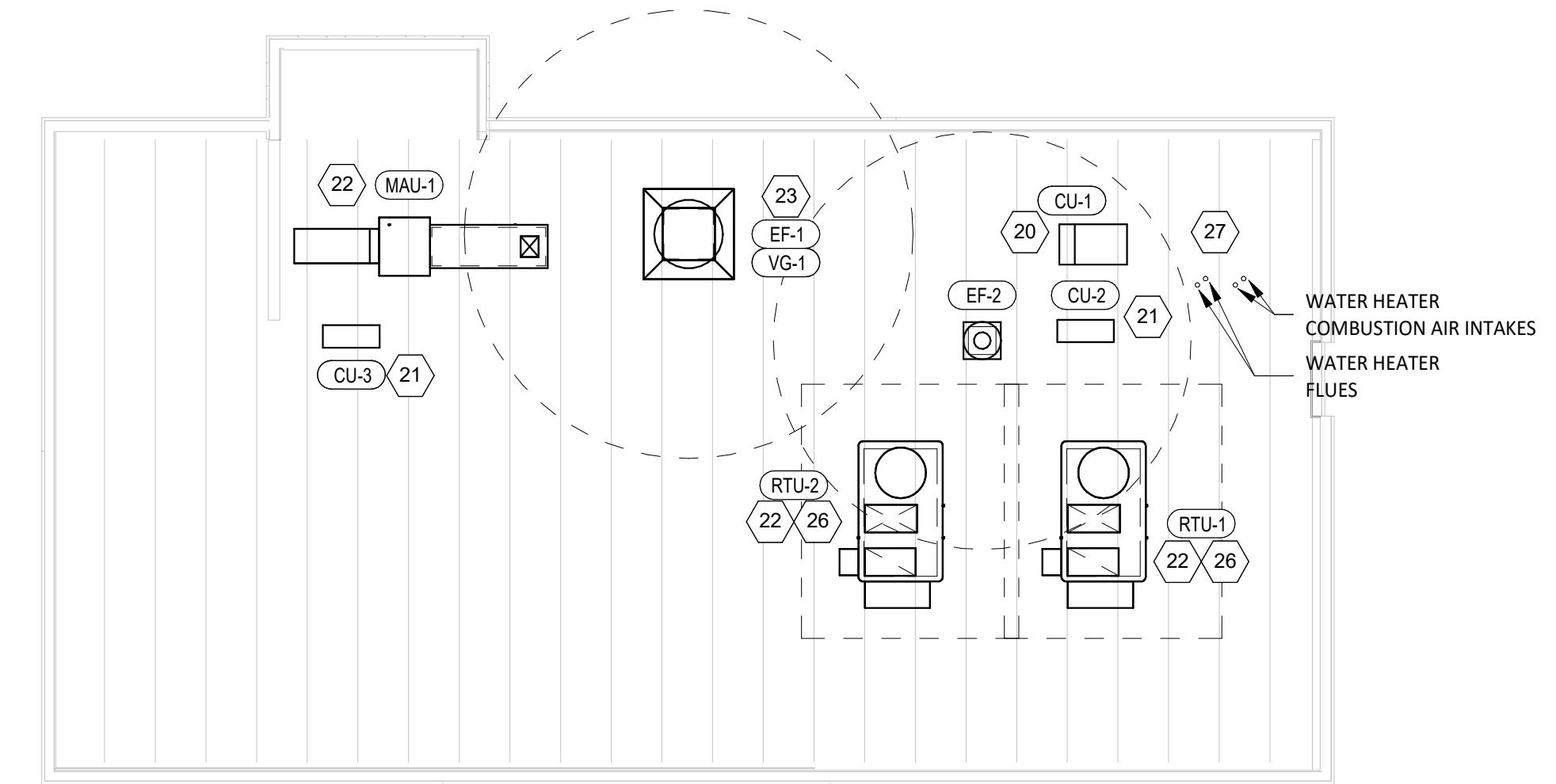


HVAC PLAN NOTES

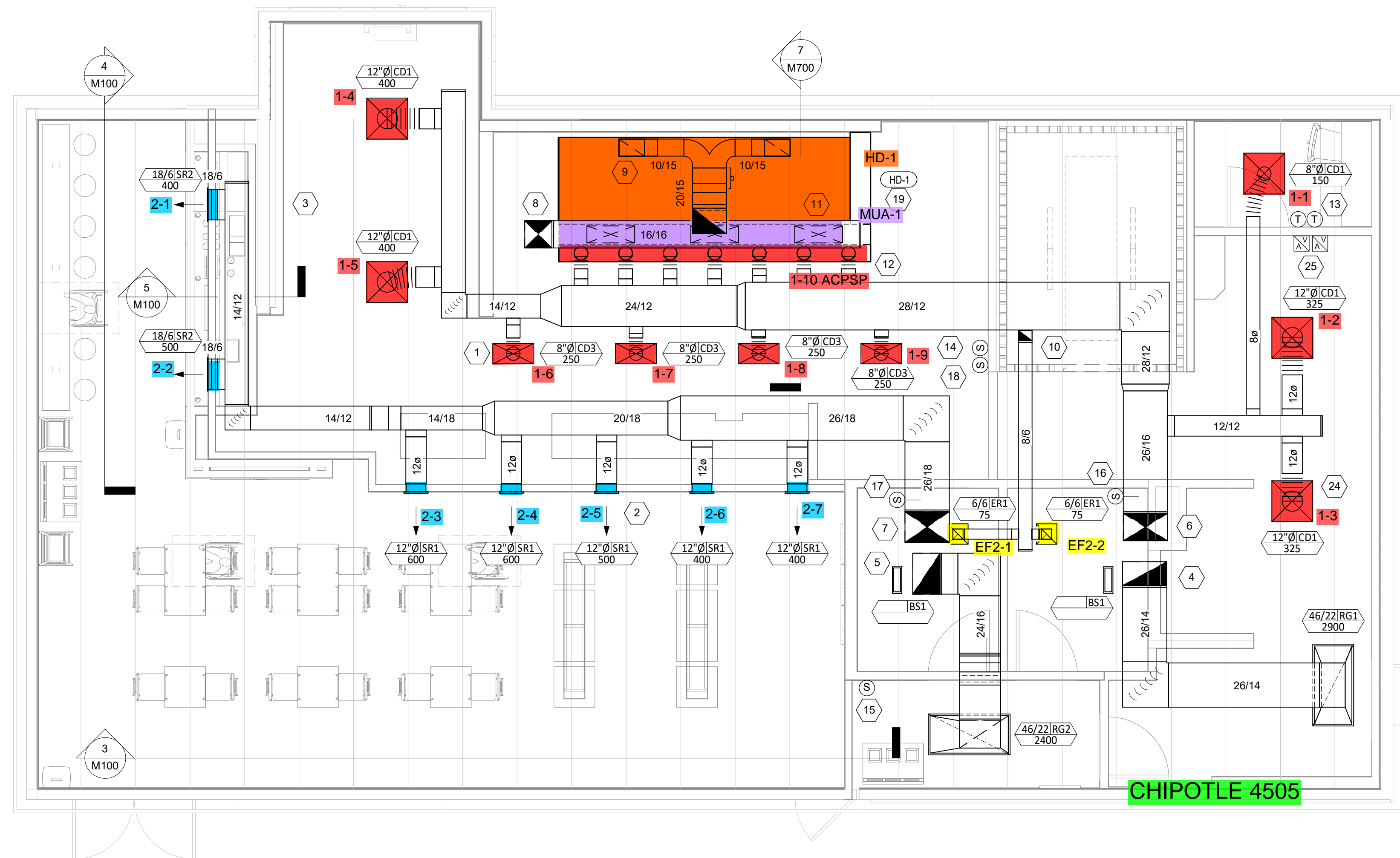
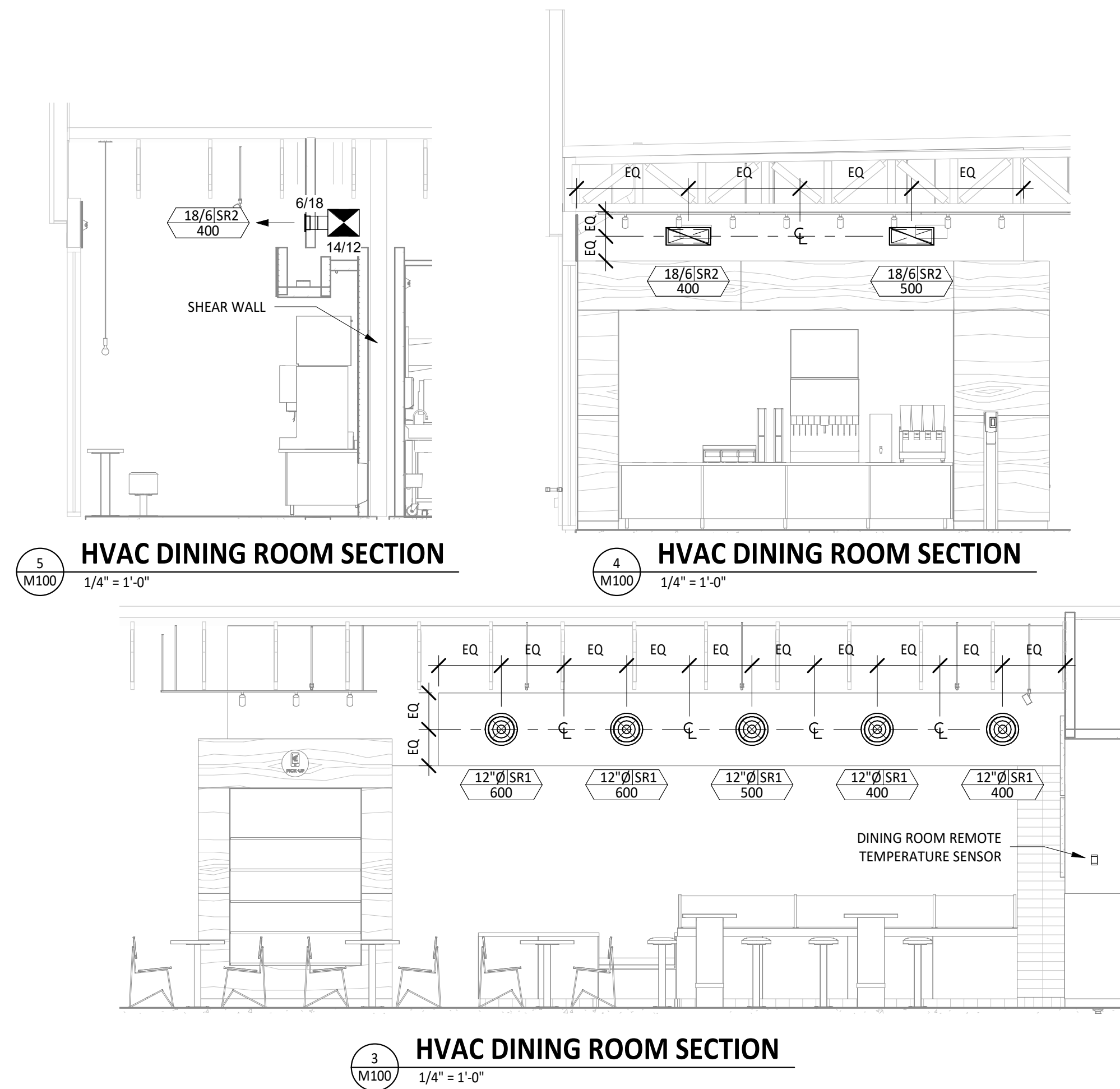
- SEE ARCHITECTURAL REFLECTED CEILING PLAN FOR CEILING MOUNTED EQUIPMENT LOCATION. TYPICAL.
- PAINT DUCTWORK VISIBLE THROUGH DINING ROOM SUPPLY REGISTERS AND RETURN GRILL BLACK. TYPICAL.
- PENETRATIONS THROUGH SHEAR WALL SHALL BE LIMITED TO 10" DIAMETER (OR A GROUP OF PENETRATIONS ALL CONTAINED WITHIN 10" DIAMETER). IF LARGER PENETRATIONS OR GROUPS OF PENETRATIONS ARE REQUIRED COORDINATE WITH STRUCTURAL ENGINEER FOR APPROPRIATE BRACING. SEE STRUCTURAL DRAWINGS FOR SHEAR WALL LOCATION.
- 26/14 DUCT UP FOR TRANSITION TO RTU-1 RETURN CONNECTION IN ROOF CURB. RTU-1 SHALL HAVE AN INTEGRAL SMOKE DETECTOR MOUNTED IN THE RETURN AIR STREAM. INTERLOCK SMOKE DETECTOR TO RTU-1 OPERATION.
- 24/16 DUCT UP FOR TRANSITION TO RTU-2 RETURN CONNECTION IN ROOF CURB. RTU-2 SHALL HAVE AN INTEGRAL SMOKE DETECTOR MOUNTED IN THE RETURN AIR STREAM. INTERLOCK SMOKE DETECTOR TO RTU-2 OPERATION.
- 26/16 DUCT UP FROM BUILDING SUPPLY THROUGH ROOF. TRANSITION TO RTU-1 SUPPLY CONNECTION IN ROOF CURB.
- 26/18 DUCT UP FROM BUILDING SUPPLY TO RTU-2 SUPPLY CONNECTION. TRANSITION IN ROOF CURB.
- 16/16 DUCT UP THROUGH ROOF. TRANSITION TO MAU-1 SUPPLY CONNECTION IN ROOF CURB.
- 10/15 DUCTS UP FROM HOOD TO 20/15 DUCT THROUGH ROOF TO EF-1 COMPLIANT WITH NFPA 96. PROVIDE RADIUSED ELBOWS WITH AN INSIDE RADIUS OF 0.5W AT ELBOWS IN GREASE DUCT.
- 8/6 DUCT UP THROUGH ROOF TO EF-2.
- 28/10 DUCT DOWN TO MAKEUP AIR PSP DUCT CONNECTION. TRANSITION TO SUPPLY PLENUM OPENING SIZE. TYPICAL FOR 3.
- 8" DIA. DUCT DOWN TO AC PSP DUCT CONNECTION. TRANSITION TO SUPPLY PLENUM OPENING SIZE. TYPICAL. CAP UNUSED DUCT CONNECTIONS.
- INSTALL GRIDPOINT THERMOSTATS FURNISHED BY TEMS FOR RTU-1 AND RTU-2 AT THIS LOCATION AT 68" AFF. COORDINATE WITH ELECTRICAL SWITCHING IN THIS AREA. PROVIDE WIRING AS SHOWN IN DETAIL 8/E710.
- INSTALL GRIDPOINT ZONE SENSOR MODULE FURNISHED BY TEMS FOR RTU-1 AT THIS LOCATION 60" AFF DIRECTLY TO WALL (NO JUNCTION BOX). COORDINATE LOCATION WITH EQUIPMENT. PROVIDE WIRING AS SHOWN IN DETAIL 8/E710.
- INSTALL GRIDPOINT ZONE SENSOR MODULE FURNISHED BY TEMS FOR RTU-2 AT THIS LOCATION 66" AFF DIRECTLY TO WALL (NO JUNCTION BOX). COORDINATE LOCATION WITH EQUIPMENT. PROVIDE WIRING AS SHOWN IN DETAIL 8/E710.
- INSTALL GRIDPOINT SUPPLY PROBE FURNISHED BY TEMS FOR RTU-1 IN THE SUPPLY DUCTWORK UPSTREAM FROM THE FIRST BRANCH CONNECTION. PROVIDE WIRING AS SHOWN IN DETAIL 8/E710.
- INSTALL GRIDPOINT SUPPLY PROBE FURNISHED BY TEMS FOR RTU-2 IN THE SUPPLY DUCTWORK UPSTREAM FROM THE FIRST BRANCH CONNECTION. PROVIDE WIRING AS SHOWN IN DETAIL 8/E710.
- INSTALL REMOTE TEMPERATURE SENSOR FOR HOOD HD-1 AT THIS LOCATION 60" AFF. COORDINATE LOCATION WITH EQUIPMENT. PROVIDE (2) #18 G. THERMISTOR CABLE FROM TEMPERATURE SENSOR TO HOOD CONTROL PANEL.

HVAC PLAN NOTES

- INSTALL KITCHEN HOOD, HD-1. SUPPORT HOOD PER MANUFACTURER'S INSTALLATION INSTRUCTIONS AND AS DETAILED IN THE ARCHITECTURAL AND STRUCTURAL DRAWINGS. INSTALL HOOD ACCORDING TO THE REQUIREMENTS OF ITS LISTING, IN COMPLIANCE WITH NFPA 96, THE BUILDING CODE, AND AUTHORITIES HAVING JURISDICTION. HOOD SHALL HAVE AN INTEGRAL DUCT COLLAR TEMPERATURE SENSOR TO AUTOMATICALLY ENERGIZE THE EXHAUST AND MAKEUP AIR FANS IF COOKING TEMPERATURES ARE DETECTED. EXHAUST DUCT SYSTEM TO BE WELDED OR FACTORY-MANUFACTURED WATER AND AIR TIGHT. INSTALL CLEANOUTS PER CODE AND AS SHOWN. INSTALL HOOD PER DETAILS 2 AND 4/M700. CHIPOTLE WILL PROVIDE AN INDEPENDENT TESTING AGENCY FOR TESTING THE INTEGRITY OF THE GREASE DUCT SYSTEM.
- INSTALL REMOTE CONDENSING UNIT FOR WALK-IN COOLER ON ROOF AS DETAILED IN THE ARCHITECTURAL AND STRUCTURAL DRAWINGS. INSTALL REFRIGERANT LINE SET, THERMOSTATIC EXPANSION VALVE, SOLENOID VALVE, TEMPERATURE CONTROL, SIGHT GLASS, FILTER DRIER, PRESSURE CONTROL, LOW AMBIENT CONTROLS, AND WEATHERPROOF HOUSING. TRAP AND SLOPE REFRIGERANT LINES PER MANUFACTURER'S RECOMMENDATIONS. INSTALLATION SHALL COMPLY WITH ASHRAE/ANSI STANDARD 15. INSTALL THE REFRIGERANT LINE SET UNDER THE ROOF DECK TO WITHIN 3' OF THE CONDENSING UNIT. CUT 2-1/2" HOLE IN WALK-IN COOLER ROOF FOR REFRIGERANT LINE SET AND SEAL PER THE COOLER MANUFACTURER'S INSTALLATION INSTRUCTIONS AFTER LINE SET IS INSTALLED.
- INSTALL REMOTE CONDENSER FOR ICE MACHINE ON ROOF AS DETAILED IN THE ARCHITECTURAL AND STRUCTURAL DRAWINGS. INSTALL REFRIGERANT LINE SET, THERMOSTATIC EXPANSION VALVE, SOLENOID VALVE, TEMPERATURE CONTROL, SIGHT GLASS, FILTER DRIER, PRESSURE CONTROL, LOW AMBIENT CONTROLS, AND WEATHERPROOF HOUSING. TRAP AND SLOPE REFRIGERANT LINES PER MANUFACTURER'S RECOMMENDATIONS. SEAL PIPING PENETRATIONS THROUGH ROOF. INSTALLATION SHALL COMPLY WITH ASHRAE/ANSI STANDARD 15. INSTALL THE REFRIGERANT LINE SET UNDER THE ROOF DECK TO WITHIN 3' OF THE REMOTE CONDENSER. IF REFRIGERANT PIPING TO ICE MAKER IS EXPOSED TO PUBLIC VIEW CONCEAL WITHIN A STAINLESS STEEL SHROUD AS SHOWN IN THE ARCHITECTURAL DRAWINGS.
- INSTALL ROOFTOP EQUIPMENT PER MANUFACTURER'S INSTALLATION INSTRUCTIONS AND AS DETAILED IN THE ARCHITECTURAL AND STRUCTURAL DRAWINGS.
- INSTALL EXHAUST FAN EF-1 PER DETAIL 5/M700 AND AS DETAILED IN THE ARCHITECTURAL AND STRUCTURAL DRAWINGS. INSTALL GREASE VIROGUARD SYSTEM FURNISHED BY CHIPOTLE ON EXHAUST FAN, EF-1.
- PROVIDE SUPPLY DIFFUSER CONNECTION TO SUPPLY SYSTEM PER DETAIL 1/M700. TYPICAL.
- PROVIDE AUDIO/VISUAL REMOTE SMOKE DETECTOR ANNUNCIATOR WITH REMOTE KEY OPERATED RESET. WIRE A UNIT BACK TO EACH SMOKE DETECTOR. MOUNT UNIT 60" AFF. TYPICAL.
- INSTALL REME HALO AIR PURIFIER FURNISHED BY TUV IN RTU PER DETAIL 6/M700. SEE ELECTRICAL DRAWINGS FOR POWER CONNECTION INFORMATION. INSTALL UV WARNING STICKERS ON FACE OF ENCLOSURE PER DETAIL AND ON ANY RTU ACCESS DOOR(S) THROUGH WHICH THE REME HALO WOULD BE VISIBLE IF OPENED.
- MAINTAIN 10' CLEARANCE BETWEEN WATER HEATER FLUE TERMINATION AND OUTSIDE AIR INTAKES. MAINTAIN 10' CLEARANCE BETWEEN WATER HEATER COMBUSTION AIR INTAKE AND EXHAUST FAN EF-1 DISCHARGE. SEE PLUMBING DRAWINGS FOR MORE INFORMATION ON WATER HEATER FLUE AND COMBUSTION AIR TERMINATIONS.

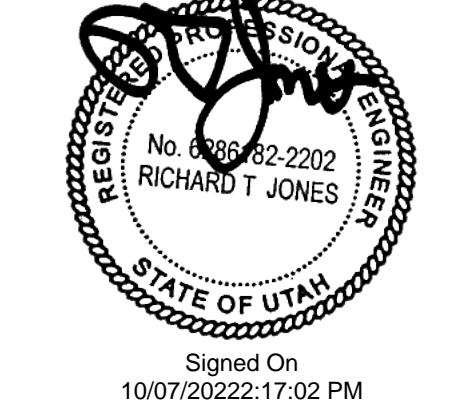


HVAC ROOF PLAN
1/8" = 1'-0"



HVAC FLOOR PLAN
1/4" = 1'-0"

Consultant:
NE NATIONAL ENGINEERING
 4635 Trueman Blvd, Suite 250
 Hilliard, Ohio 43026
 Phone: (614) 751-9610
 Fax: (614) 552-5240
 Contact: Cliff Kigar
 (614) 328-2033
 ckigar@nationalengineering.com



Signed On
10/07/2022: 17:02 PM
 COPYRIGHT 2022
 THIS DRAWING IS AN INSTRUMENT OF SERVICE AND AS SUCH REMAINS THE PROPERTY OF CHIPOTLE MEXICAN GRILL, INC. PERMISSION FOR USE OF THIS DOCUMENT IS LIMITED AND CAN BE EXTENDED ONLY BY WRITTEN AGREEMENT WITH CHIPOTLE MEXICAN GRILL, INC.



CHIPOTLE MEXICAN GRILL, INC.
 PO BOX 182566
 COLUMBUS, OH 43218-2566
 TELEPHONE: (614) 318-2400
 INTERNET: WWW.CHIPOTLE.COM

STORE NO.: 4505
 VINEYARD
 661 EAST 450 NORTH
 VINEYARD, UT 84059

Issue Record:
 10/07/2022 PERMIT SET

Revisions:

Drawn: JEJ
 Checked: CLK/JEJ

Project No:
 2201148

Contents:
 HVAC PLAN

M100

VIROGUARD SCHEDULE

TAG	QUANTITY	DESCRIPTION	DUCT CONNECTION SIZE	FAN	FURNISHED BY	INSTALLED BY	BASIS FOR DESIGN MANUFACTURER
VG-1	1	VIROGUARD HOOD EXHAUST FAN ROOFTOP CONTAINMENT SYSTEM	18" X 18"	CAPTIVE-AIRE DU240HFA	TDC	GC	ENVIROMATIC

GRILLS, REGISTERS, AND DIFFUSERS SCHEDULE

TAG	DESCRIPTION	FACE SIZE	MATERIAL	FINISH	MOUNTING	FURNISHED BY	INSTALLED BY	BASIS FOR DESIGN		NOTES
								MANUFACTURER	MODEL	
BS1	BATHROOM AIR PURIFICATION UNIT	5.44" X 16"	ALUMINUM	STAINLESS STEEL	GYP CEILING	TUV	GC	RGF ENVIRONMENTAL GROUP	BRU ASSEMBLY	SEE ELECTRICAL SHEETS FOR CONNECTION INFORMATION
CD1	PERFORATED CEILING DIFFUSER	24" X 24"	ALUMINUM	WHITE	LAY-IN CEILING	GC	GC	NAILOR	4320A TYPE L	PROVIDE INTEGRAL OBD
CD3	PERFORATED CEILING DIFFUSER	24" X 12"	ALUMINUM	WHITE	LAY-IN CEILING	GC	GC	NAILOR	4320A TYPE L	PROVIDE INTEGRAL OBD, REMOVE 4-WAY DEFLECTOR
ER1	PERFORATED CEILING EXHAUST	12" X 12"	ALUMINUM	WHITE	GYP CEILING	GC	GC	NAILOR	4330R TYPE S	PROVIDE INTEGRAL OBD
RG1	PERFORATED CEILING RETURN	48" X 24"	ALUMINUM	WHITE	LAY-IN CEILING	GC	GC	NAILOR	4330R TYPE L	
RG2	PERFORATED CEILING RETURN	48" X 24"	ALUMINUM	WHITE	GYP CEILING	GC	GC	NAILOR	4330R TYPE S	
SR1	ADJUSTABLE TURBO NOZZLE	SEE NECK SIZE	ALUMINUM	WHITE	WALL	GC	GC	AIR CONCEPTS	ANR-12	PROVIDE FACE-ACCESSIBLE OBD
SR2	DOUBLE DEFLECTION SUPPLY REGISTER	SEE NECK SIZE	ALUMINUM	WHITE	WALL	GC	GC	NAILOR	51DH	PROVIDE INTEGRAL OBD

FAN SCHEDULE

TAG	DRIVE TYPE	EXHAUST FLOW [CFM]	E.S.P. [in W.C.]	WEIGHT [lbs]	ELECTRICAL		FURNISHED BY	INSTALLED BY	BASIS FOR DESIGN		REMARKS
					MOTOR POWER	V/P/H			MANUFACTURER	MODEL	
EF-1	DIRECT	3200 CFM	1.20 in-wg	400	3 HP	208/3/60	HS	GC	CAPTIVE-AIRE	DU240HFA	FURNISHED WITH DISCONNECT AND VENTED ROOF CURB
EF-2	DIRECT	150 CFM	0.60 in-wg	100	0.18 HP	120/1/60	HS	GC	CAPTIVE-AIRE	DR12HFA	FURNISHED WITH DISCONNECT, VARIABLE SPEED CONTROLLER, BACKDRAFT DAMPER AND ROOF CURB

AIR BALANCE SCHEDULE

Tag	Supply Flow [CFM]	Return Flow [CFM]	Exhaust Flow [CFM]	Subtotal [CFM]
EF-1	0	0	3200	-3200
EF-2	0	0	150	-150
MAU-1	1950	0	0	1950
RTU-1	3400	2900	0	500
RTU-2	3400	2400	0	1000
Net Pressurization [CFM]				100

CONDENSING UNIT SCHEDULE

TAG	DESCRIPTION	NOMINAL CAPACITY [TONS]	NUMBER OF COMPRESSORS	NUMBER OF CIRCUITS	REFRIGERANT TYPE	REFRIGERANT CHARGE	WEIGHT	ELECTRICAL			FURNISHED BY	INSTALLED BY	BASIS FOR DESIGN		REMARKS
								MOC	FLA	V/P/H			MANUFACTURER	MODEL	
CU-1	WALK-IN COOLER REMOTE CONDENSING UNIT	--	1	1	R-404A		200	15 A	7.2 A	208/3/60	WCS	GC	EVERIDGE	RFO130E4SEAALNT	FURNISHED WITH WALK-IN COOLER
CU-2	ICE MAKER - REMOTE CONDENSER	--	0	1	R-404A	11 lbs 7.4 oz	100			120/1/60	KES	GC	-	-	FURNISHED WITH ICE MAKER
CU-3	ICE MAKER - REMOTE CONDENSER	--	0	1	R-404A	11 lbs 7.4 oz	100			120/1/60	KES	GC	-	-	FURNISHED WITH ICE MAKER

MAKEUP AIR UNIT WITH EVAPORATIVE COOLING SCHEDULE

TAG	DESCRIPTION	AIRFLOW		HEATING CAPACITY			EVAPORATIVE COOLING CAPACITY				APPROXIMATE WEIGHT [LBS]	ELECTRICAL		FURNISHED BY	INSTALLED BY	BASIS FOR DESIGN		REMARKS		
		TOTAL [CFM]	E.S.P. [in. W.C.]	INPUT [MBH]	OUTPUT [MBH]	MAXIMUM TURNDOWN	EAT [DEG. F]	DB	WB	DB		WB	MOTOR POWER			V/P/H	MANUFACTURER		MODEL	
MAU-1	Makeup Air Unit	1950	0.8	225	220	12.5:1	13 °F	86 °F	65 °F	68 °F	65 °F	5.0	800	2 HP	208/3/60	THS	GC	Captive-Aire	A1-D.250-15D	FURNISHED WITH DISCONNECT, ROOF CURB, AND EVAPORATIVE COOLER INTAKE

CONTROL FUNCTIONS

- A. THE MAIN COOKING EXHAUST FAN AND MAKE-UP AIR UNIT SHALL BE INTERLOCKED TO OPERATE TOGETHER. THIS CONTROL CIRCUIT IS ACTIVATED BY A SWITCH AND INCLUDES A FIRE PROTECTION OVERRIDE.
- B. THE TEMPERATURE IN EACH ZONE IS CONTROLLED BY SPACE TEMPERATURE SENSORS CONNECTED TO THE THERMOSTATS LOCATED IN THE OFFICE. ALL ZONES SHALL OPERATE WITH CONTINUOUS FAN OPERATION DURING OCCUPIED TIMES AND INTERMITTENTLY AS NEEDED TO MAINTAIN SET POINTS DURING UNOCCUPIED TIMES. OUTSIDE AIR DAMPERS SHALL BE OPEN CONTINUOUSLY WHEN EITHER IN OCCUPIED MODE OR WHEN THE HOOD SYSTEM IS ON AND SHALL BE CLOSED DURING UNOCCUPIED PERIODS.
- C. THE THERMOSTATS SHALL DETERMINE OCCUPIED/UNOCCUPIED STATUS BASED ON THE SCHEDULE IN THE ENERGY MANAGEMENT SYSTEM.

KITCHEN HOOD SCHEDULE

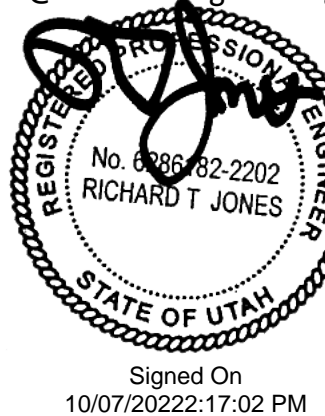
TAG	DESCRIPTION	MAX COOKING TEMP.	EXHAUST PLENUM				PERFORATED SUPPLY PLENUMS							NUMBER OF LIGHT FIXTURES	APPROXIMATE WEIGHT [lbs]	FURNISHED BY	INSTALLED BY	BASIS FOR DESIGN		REMARKS						
			AIRFLOW [CFM]	SP [in. W.C.]	NO.	WIDTH	LENGTH	LENGTH	WIDTH	SP [in. W.C.]	SUPPLY PLENUM LENGTH	SUPPLY PLENUM WIDTH	AIRFLOW [CFM]					DUCT COLLARS	AIRFLOW [CFM]		DUCT COLLARS	MANUFACTURER	MODEL			
HD-1	TYPE I CANOPY HOOD WITH PERFORATED MAU AND AC SUPPLY PLENUMS	600°F	3200	0.86	2	10"	15"	14'-3"	4'-3"	0.2	15'-3"	22"	1950	3	10"	28"	800	7	8"	10	1200	HS	GC	CAPTIVE-AIRE	5424 ND-2-ACPSF-F	MAT'L: 18 GA. TYPE 430 SS. PROVIDE WITH 16" TALL HE SS FILTERS, INTEGRAL UTILITY CABINET, ANSUL SYSTEM, DUCT COLLAR TEMPERATURE SENSOR, PREWIRE PACKAGE, SPARE FIRE SYSTEM DRY CONTACT, AND 4-POLE 20A CONTACTOR

ROOFTOP UNIT SCHEDULE

TAG	DESCRIPTION	NOMINAL CAPACITY [TONS]	EER	AIRFLOW			NET COOLING CAPACITY				HEATING CAPACITY			# OF COMPRESSORS	# OF CIRCUITS	REFRIG. TYPE	REFRIG. CHARGE	APPROX. WEIGHT [lbs]	ELECTRICAL			FURNISHED BY	INSTALLED BY	BASIS FOR DESIGN		REMARKS	
				TOTAL [CFM]	OA [CFM]	ESP [in. W.C.]	TOTAL [MBH]	SENSIBLE [MBH]	EAT [DEG. F]	COND. EAT [DEG. F]	INPUT [MBH]	OUTPUT [MBH]	EAT [DEG. F]						MOC	FLA	V/P/H			MANUFACTURER	MODEL		
RTU-1	KITCHEN ROOFTOP UNIT	8.5	12.5	3400	500	0.8	94	79	76	62	94	180	144	59	2	2	R-410A	6.3/4.9	1500	60 A	48.0 A	208/3/60	HES	GC	TRANE	YHC102	FURNISHED WITH COMP. ENTHALPY ECON., BAROMETRIC RELIEF, RET. SMOKE DETECTOR W/ REMOTE KEYPAD ANNUNCIATOR/RESET, M.O.D., MERV-8 FILTERS, CURB, HAIL GUARD, TOOLLESS HINGED ACCESS PANELS, DISCONNECT, & UNIT-MOUNTED CONVENIENCE RECEPTACLE
RTU-2	DINING ROOM ROOFTOP UNIT	8.5	12.5	3400	1000	0.8	88	88	80	60	100	180	144	51	2	2	R-410A	6.3/4.9	1500	60 A	48.0 A	208/3/60	HES	GC	TRANE	YHC102	FURNISHED WITH COMP. ENTHALPY ECON., BAROMETRIC RELIEF, RET. SMOKE DETECTOR W/ REMOTE KEYPAD ANNUNCIATOR/RESET, M.O.D., MERV-8 FILTERS, CURB, HAIL GUARD, TOOLLESS HINGED ACCESS PANELS, DISCONNECT, & UNIT-MOUNTED CONVENIENCE RECEPTACLE

Consultant:

NATIONAL
 ENGINEERING
 4635 Trueman Blvd, Suite 250
 Hilliard, Ohio 43026
 Phone: (614) 751-9610
 Fax: (614) 552-5240
 Contact: Cliff Kigar
 (614) 328-2033
 ckigar@nationalengineering.com



Copyright 2022
 THIS DRAWING IS AN INSTRUMENT OF SERVICE AND AS SUCH REMAINS THE PROPERTY OF CHIPOTLE MEXICAN GRILL, INC. PERMISSION FOR USE OF THIS DOCUMENT IS LIMITED AND CAN BE EXTENDED ONLY BY WRITTEN AGREEMENT WITH CHIPOTLE MEXICAN GRILL, INC.



CHIPOTLE MEXICAN GRILL, INC.
 PO BOX 182566
 COLUMBUS, OH 43218-2566
 TELEPHONE: (614) 318-2400
 INTERNET: WWW.CHIPOTLE.COM

STORE NO.: 4505
 VINEYARD
 661 EAST 450 NORTH
 VINEYARD, UT 84059

Issue Record:
 10/07/2022 PERMIT SET

Revisions:

Drawn: CJK/JEJ Checked: CJK/JEJ

Project No:
 2201148

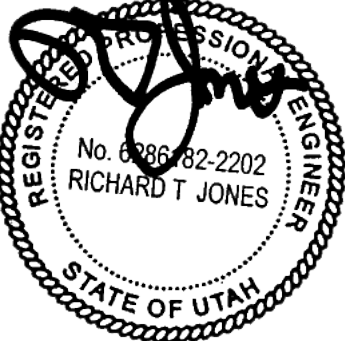
Contents:

HVAC SCHEDULES

Consultant:



NATIONAL ENGINEERING
4635 Trueman Blvd, Suite 250
Hilliard, Ohio 43026
Phone: (614) 751-9610
Fax: (614) 552-5240
Contact: Cliff Kigar
(614) 328-2033
ckigar@nationalengineering.com



Signed On
10/07/2022: 17:02 PM

COPYRIGHT 2022
THIS DRAWING IS AN INSTRUMENT OF SERVICE
AND AS SUCH REMAINS THE PROPERTY OF
CHIPOTLE MEXICAN GRILL, INC. PERMISSION FOR
USE OF THIS DOCUMENT IS LIMITED AND CAN BE
EXTENDED ONLY BY WRITTEN AGREEMENT WITH
CHIPOTLE MEXICAN GRILL, INC.



CHIPOTLE MEXICAN GRILL, INC.
PO BOX 182566
COLUMBUS, OH 43218-2566
TELEPHONE: (614) 318-2400
INTERNET: WWW.CHIPOTLE.COM

STORE NO.: 4505
VINEYARD
661 EAST 450 NORTH
VINEYARD, UT 84059

Issue Record:
10/07/2022 PERMIT SET

Revisions:

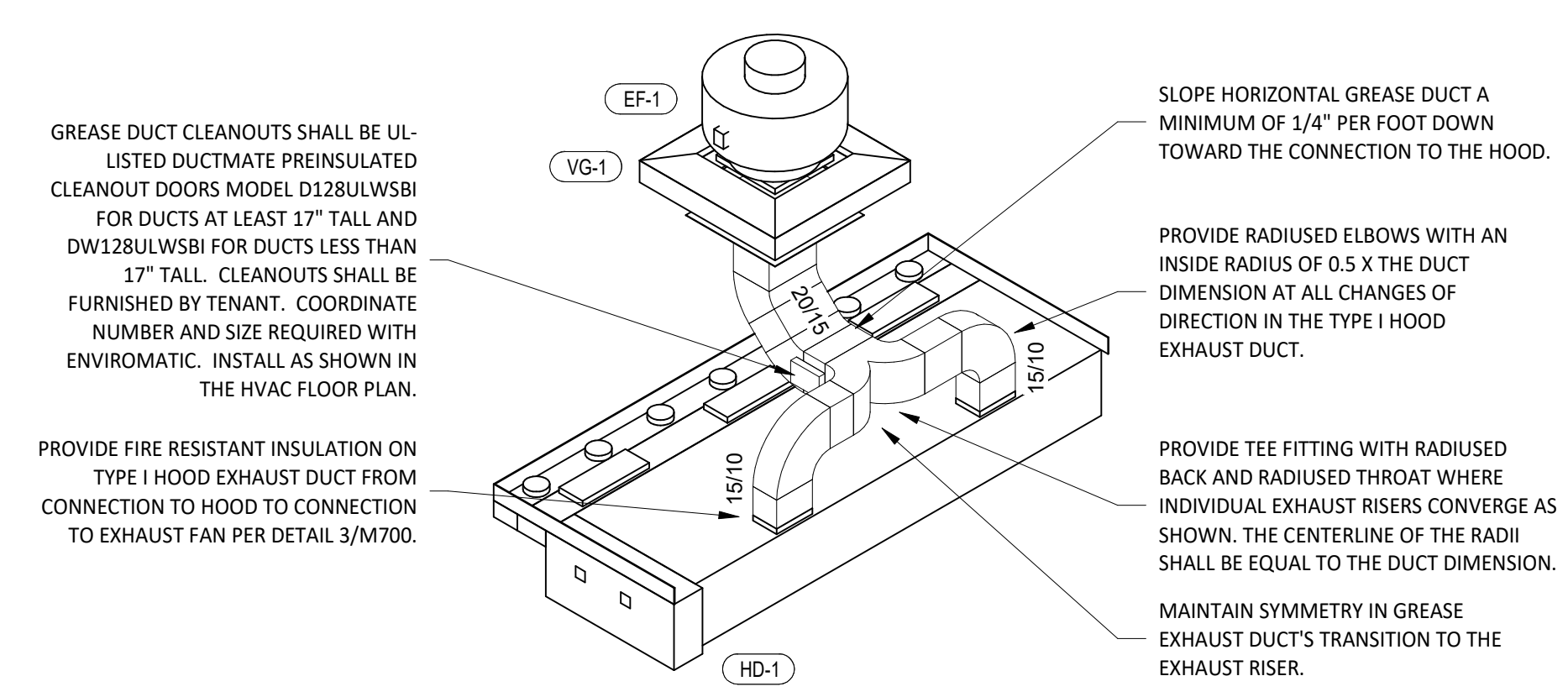
Drawn: CJK/JEJ
Checked: CJK/JEJ

Project No:
2201148

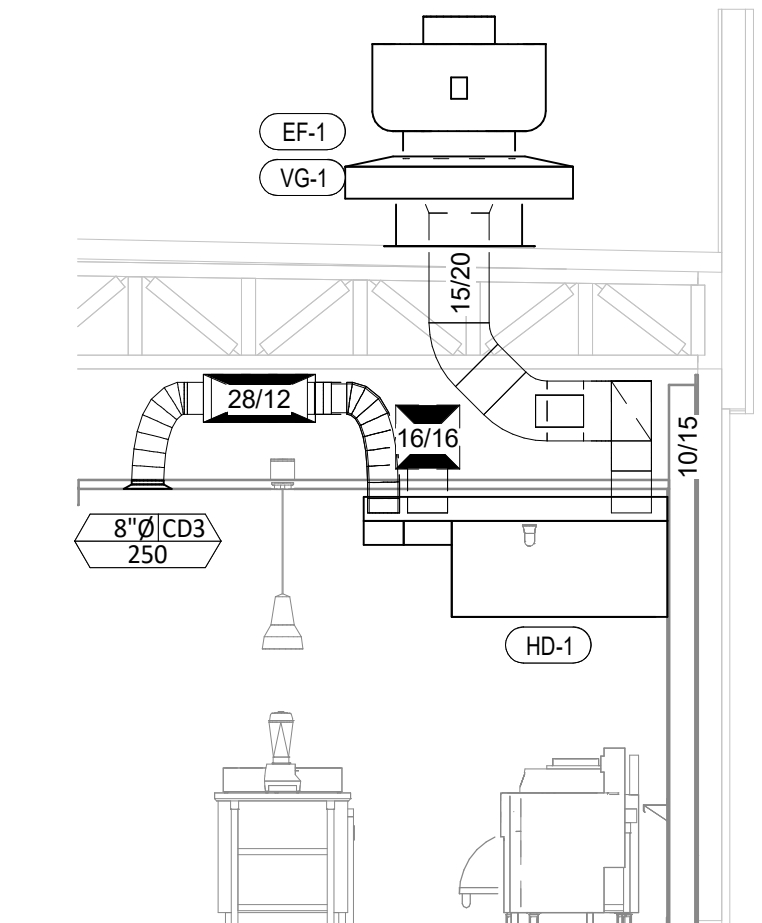
Contents:

HVAC DETAILS

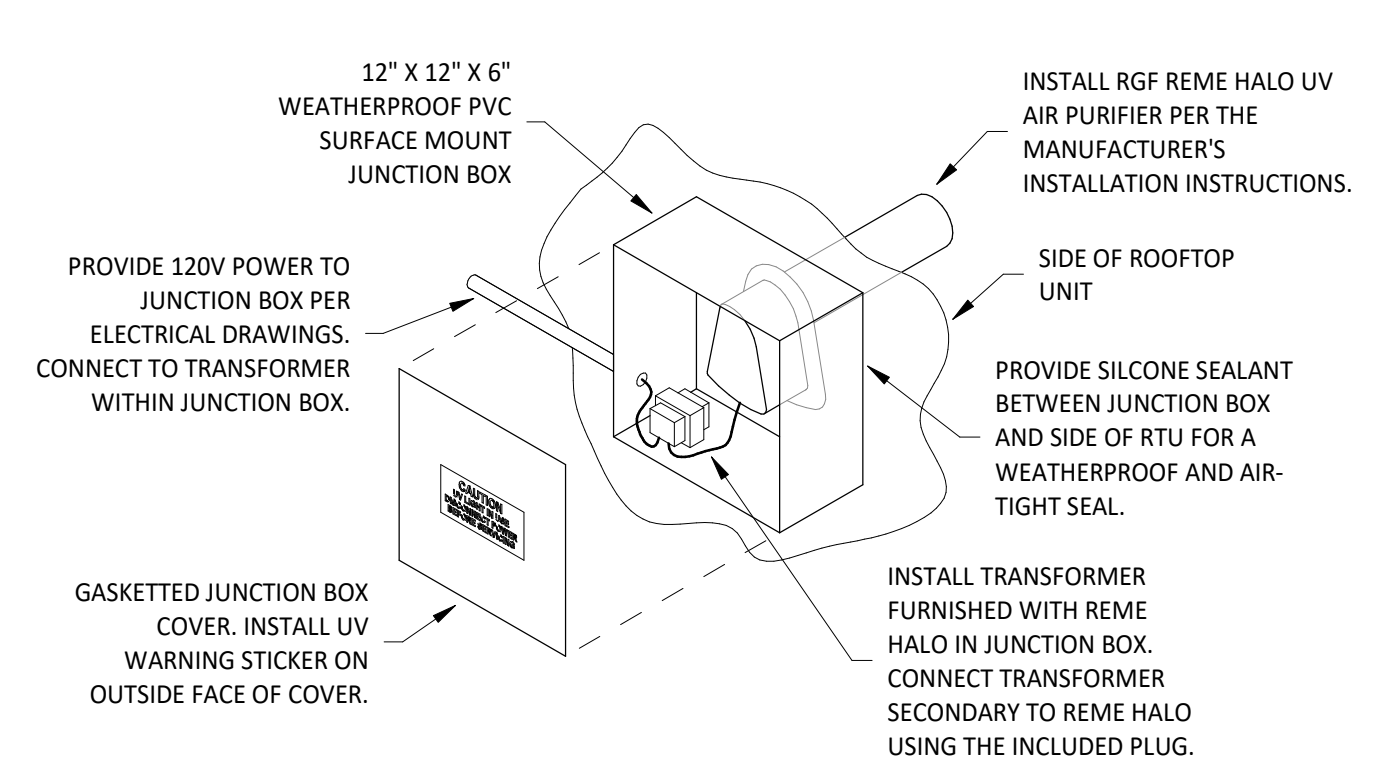
M700



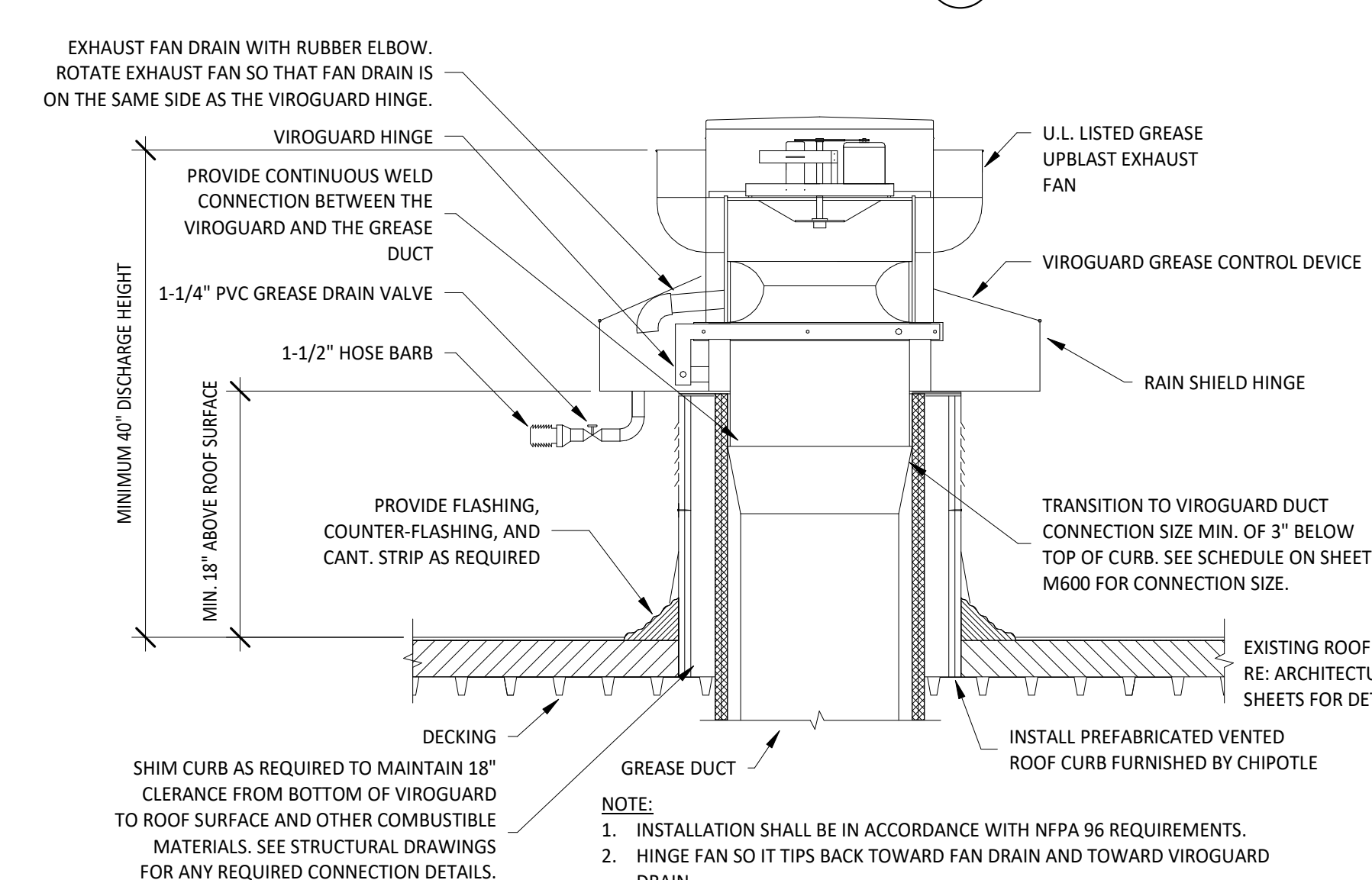
8 HOOD EXHAUST ISOMETRIC
M700 N.T.S.



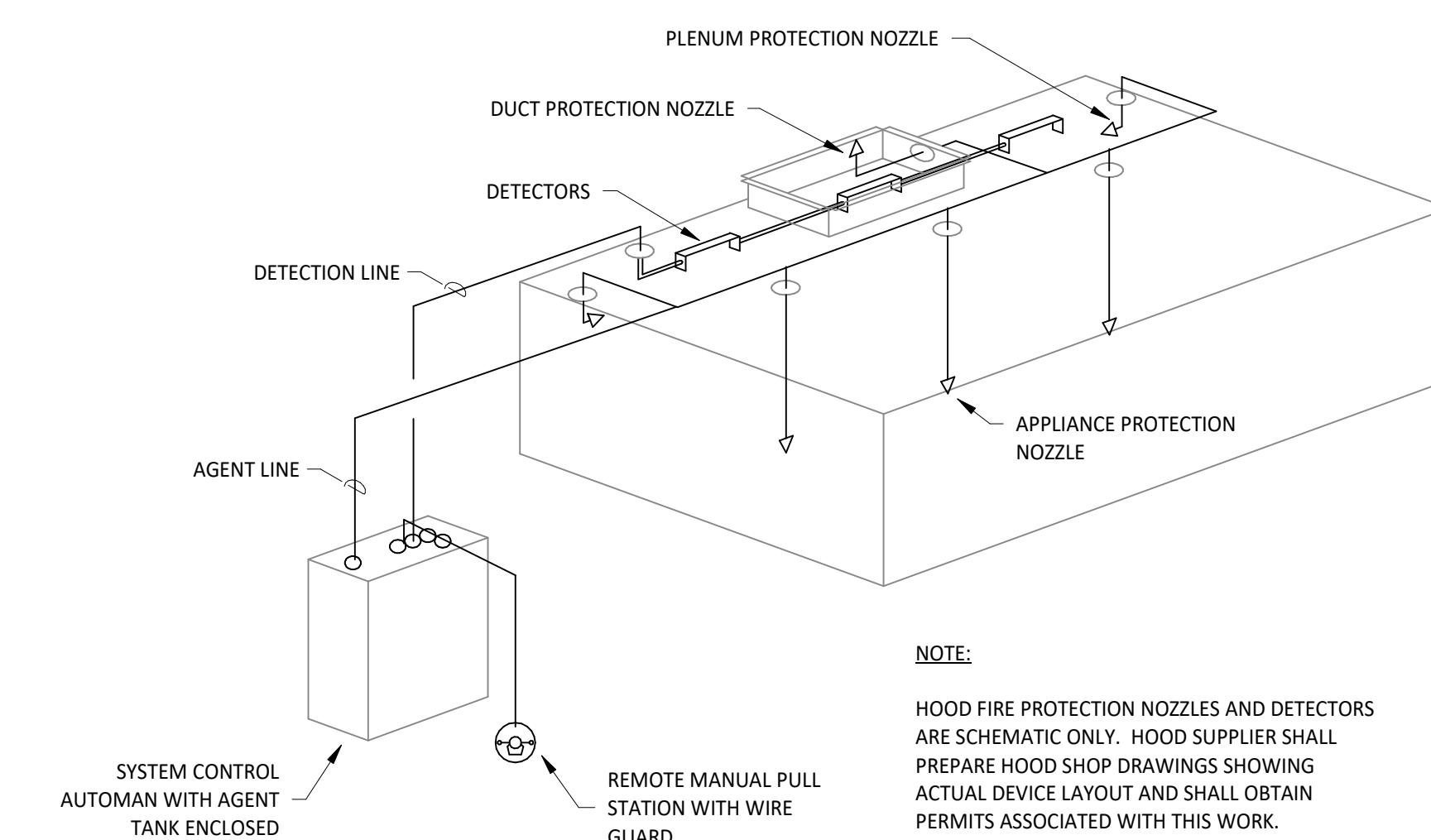
7 DUCT SECTION AT HOOD
M700 1/4" = 1'-0"



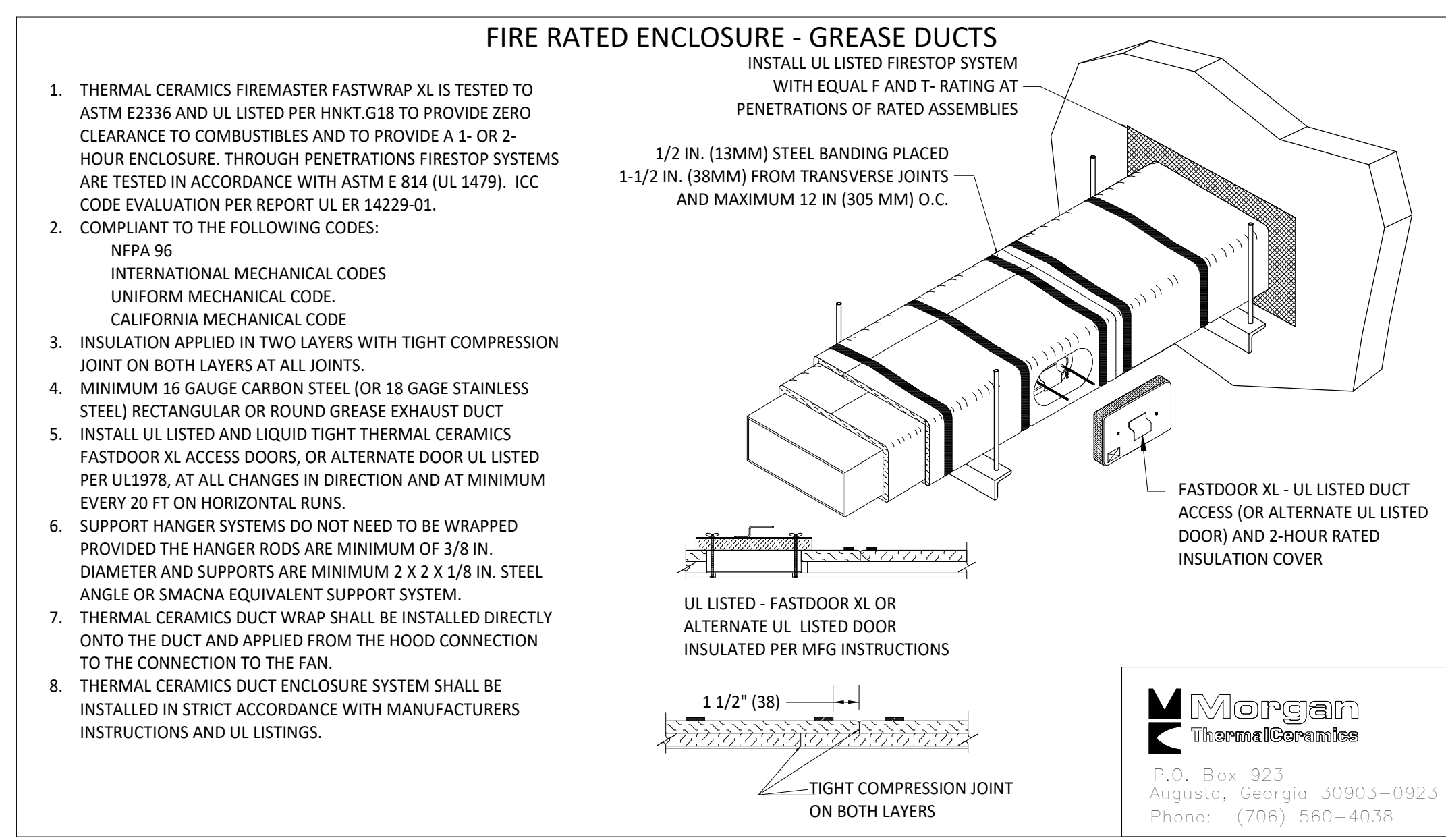
6 UV AIR PURIFIER INSTALLATION
M700 N.T.S.



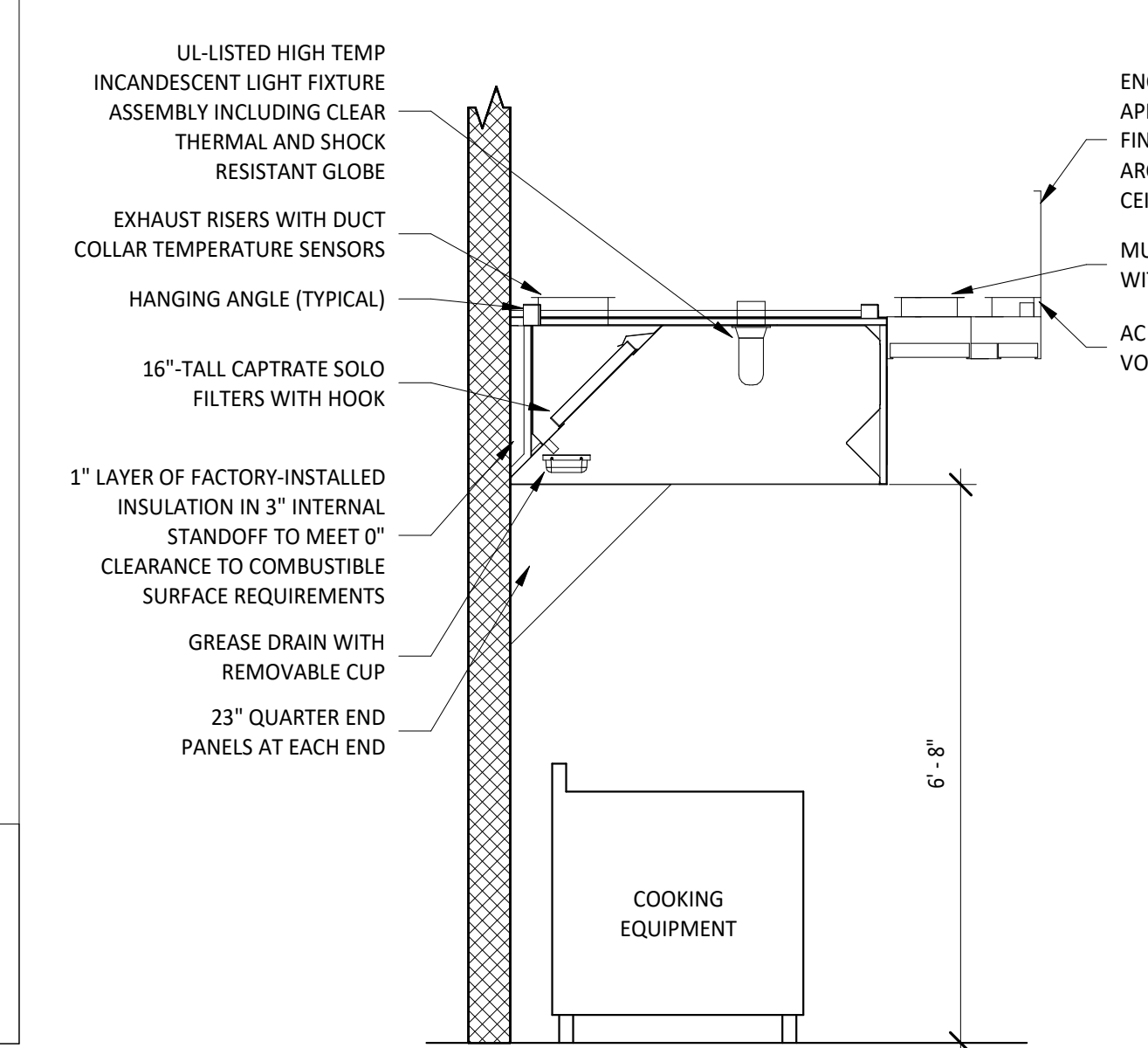
5 GREASE EXHAUST FAN
M700 N.T.S.



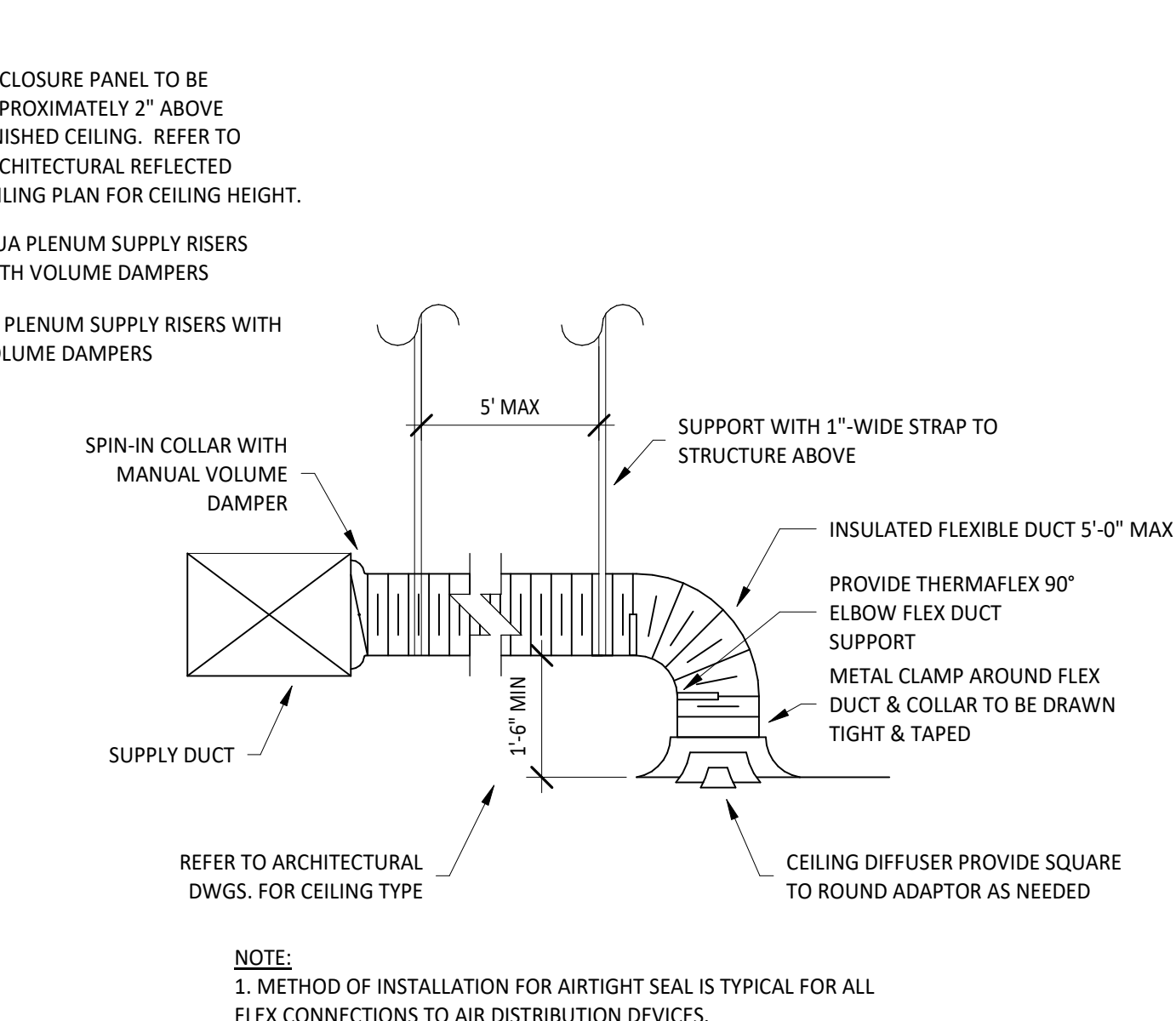
4 FIRE SUPPRESSION SYSTEM SCHEMATIC
M700 N.T.S.



3 FIREMASTER DUCT WRAP - UL HNKT-G18
M700 N.T.S.



2 HOOD SECTION VIEW
M700 N.T.S.



1 DIFFUSER CONNECTION
M700 N.T.S.