

BETHANY ELEMENTARY SCHOOL ADDITIONS
CLOVER SCHOOL DISTRICT
CLOVER, SOUTH CAROLINA

These drawings are the property of Jumper Carter Sease Architects, Inc. and may not be reproduced, copied or used in whole or in part without written consent of the architect. Any infringement will be subject to legal action.

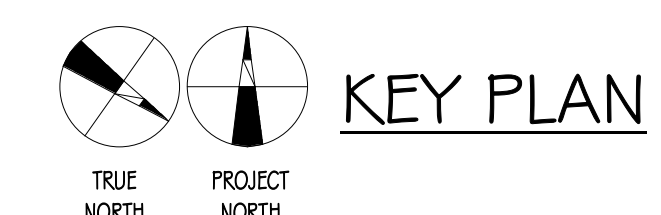
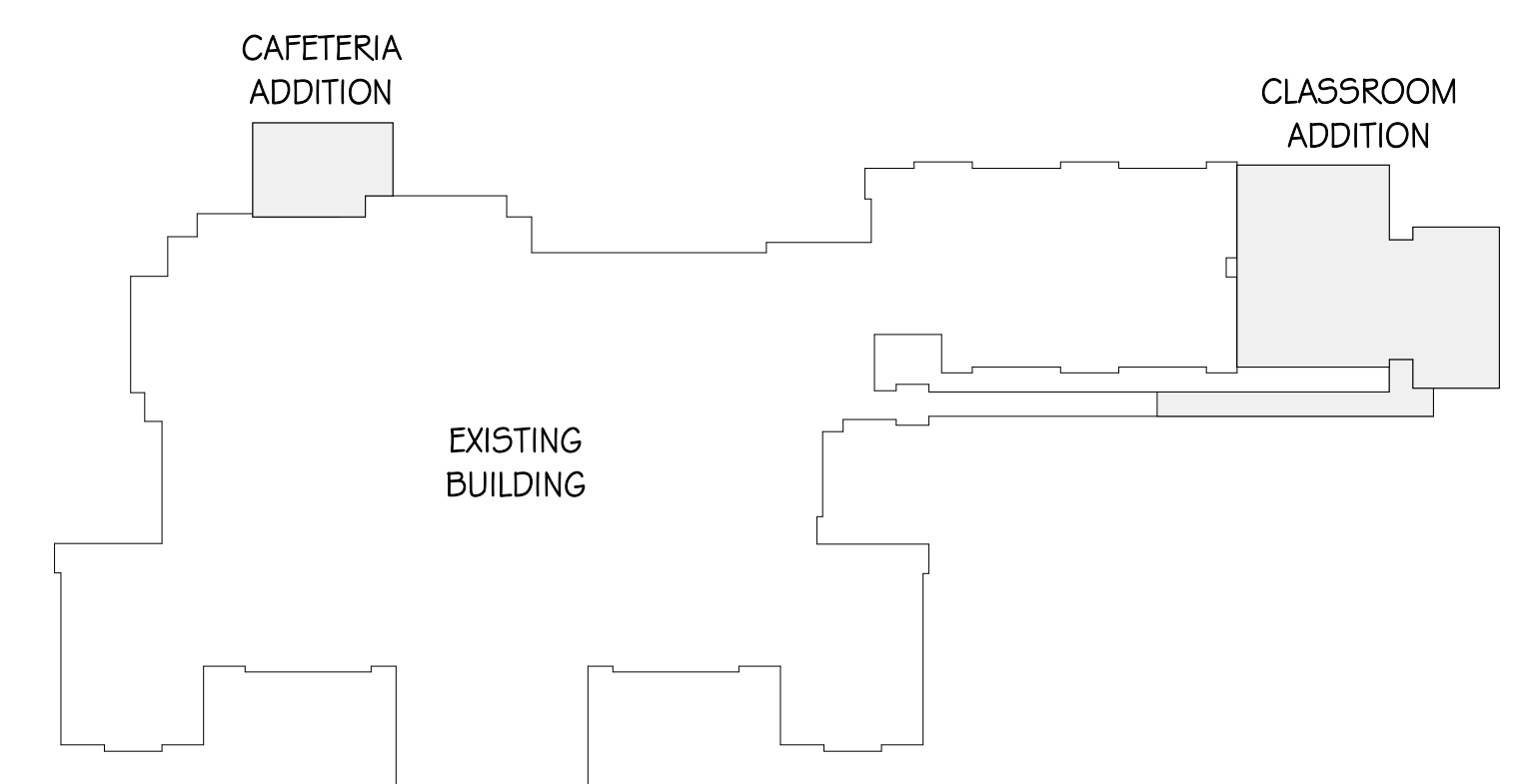
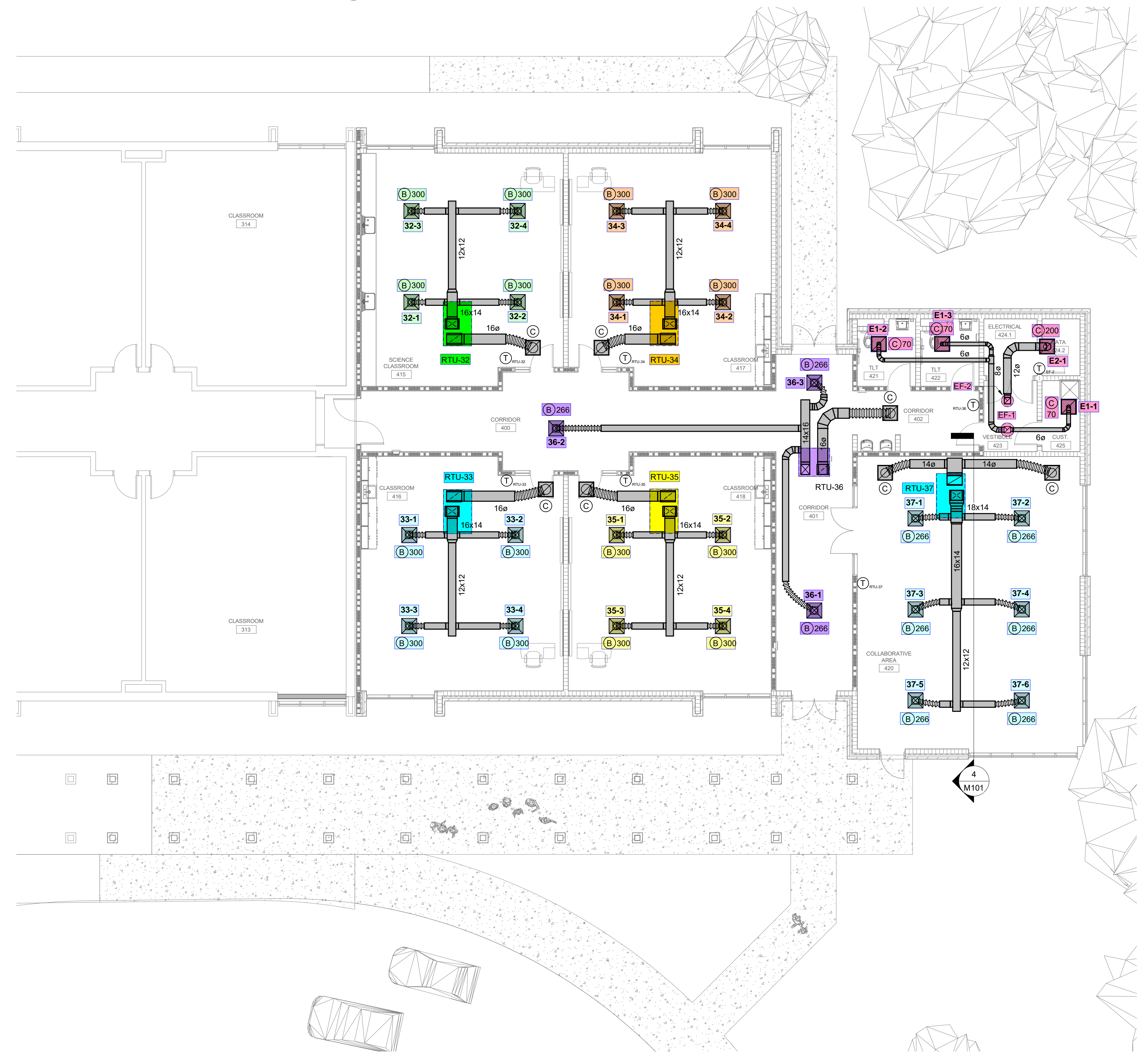
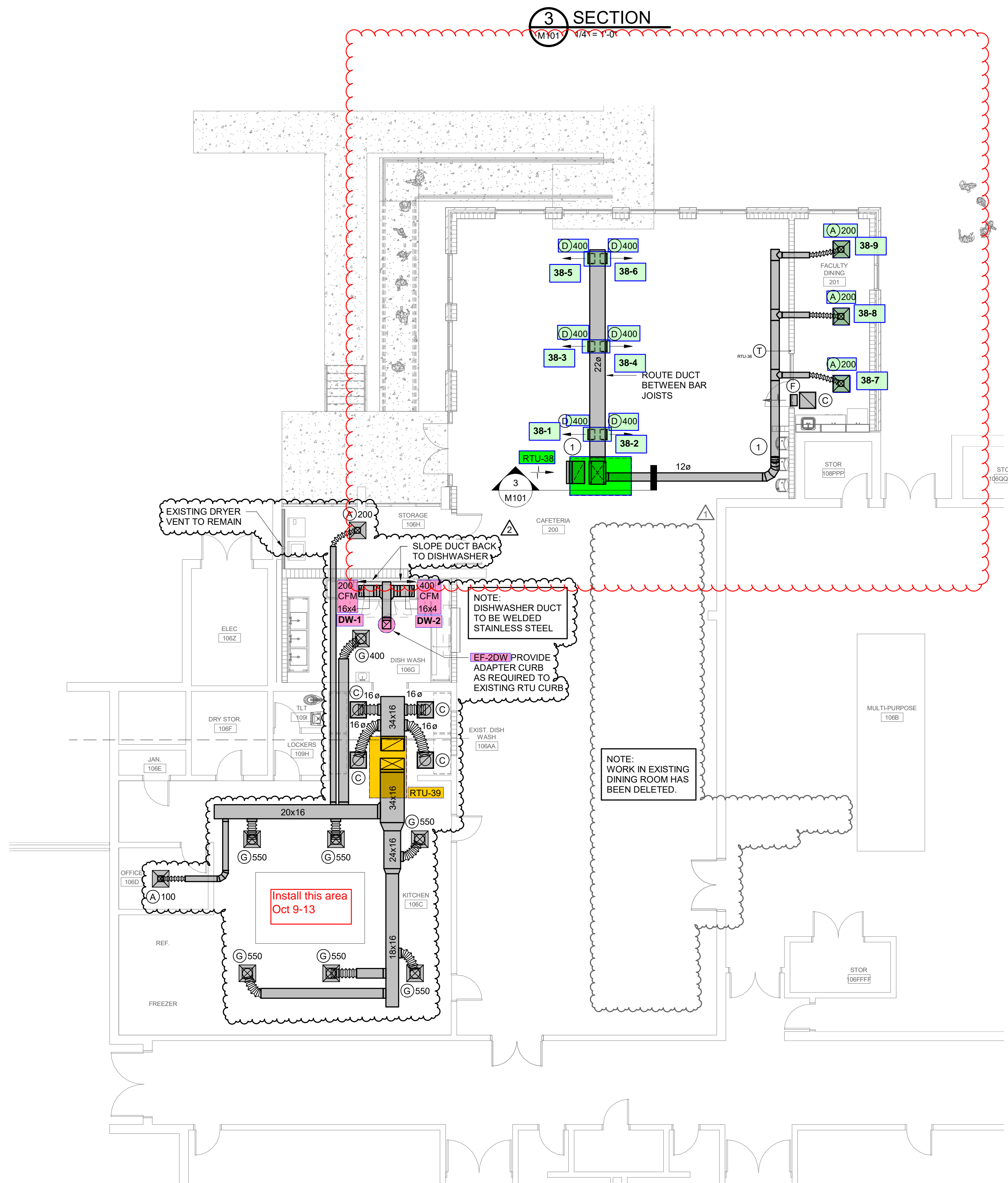
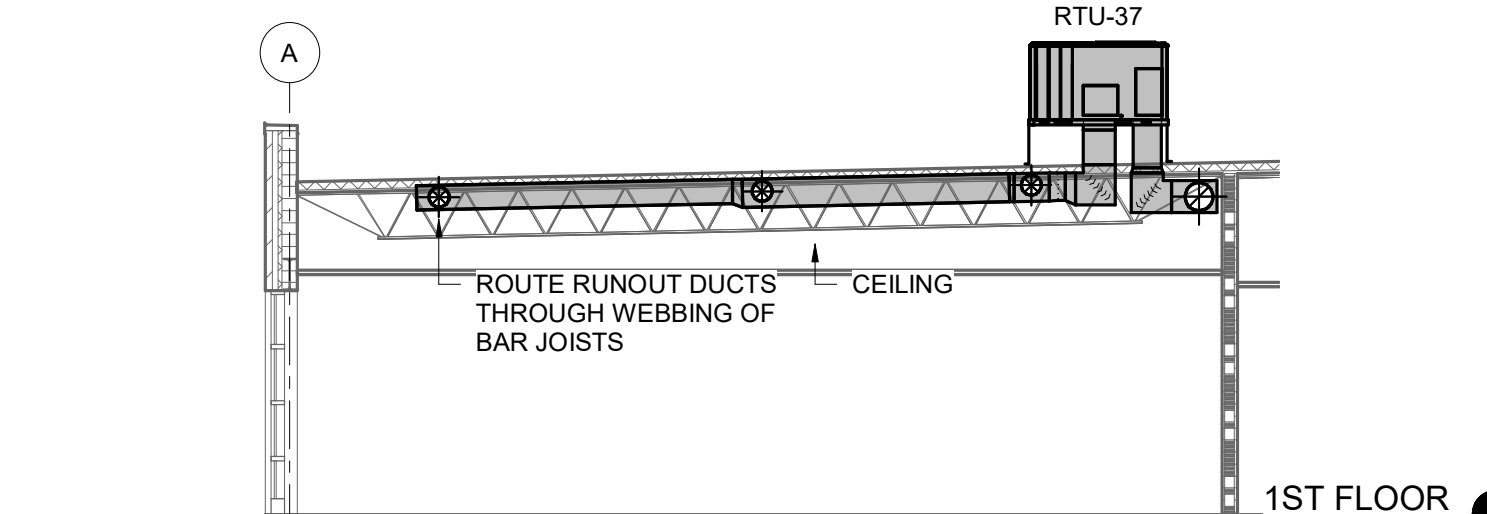
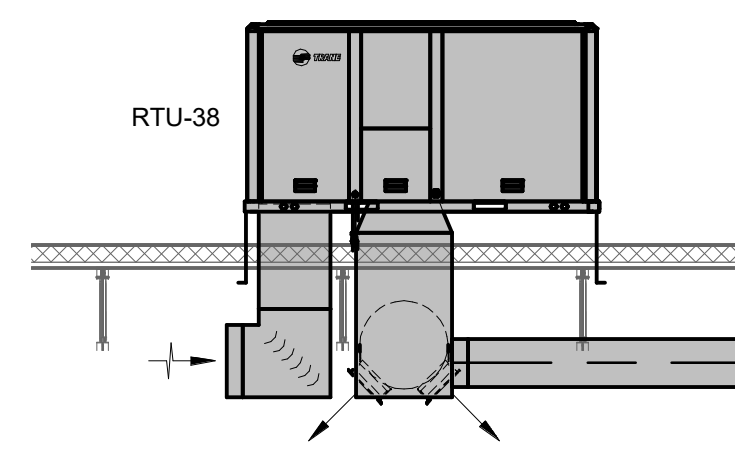
No	Description	Date
1	ADDENDUM #3	12/08/22
2	DISH WASH REVISIONS	05/15/23

DRAWN BY: JKB
 CHECKED BY: WCL
 COMM NO: 21025
 DATE: OCTOBER 21, 2022
 SHEET TITLE: FLOOR PLANS - HVAC

SHEET NO: M101

NOTES TO SHEET

- 1 EXPOSED DUCT SHALL BE DOUBLE WALL WITH PAINT GRIP FINISH.



Swygert & Associates
CONSULTING ENGINEERS
DBA Swygert & Assoc., Ltd. Telephone: (803) 791-9300
Post Office Box 11666 Facsimile: (803) 791-6830
Columbia, S.C. 29211 mail@swygert-associates.com