

BETHANY ELEMENTARY SCHOOL ADDITIONS  
CLOVER SCHOOL DISTRICT  
CLOVER, SOUTH CAROLINA

These drawings are the property of Jumper Carter Sease Architects/PA, and may not be reproduced, copied or used in whole or in part without written consent of the architect. Any infringement will be subject to legal action.

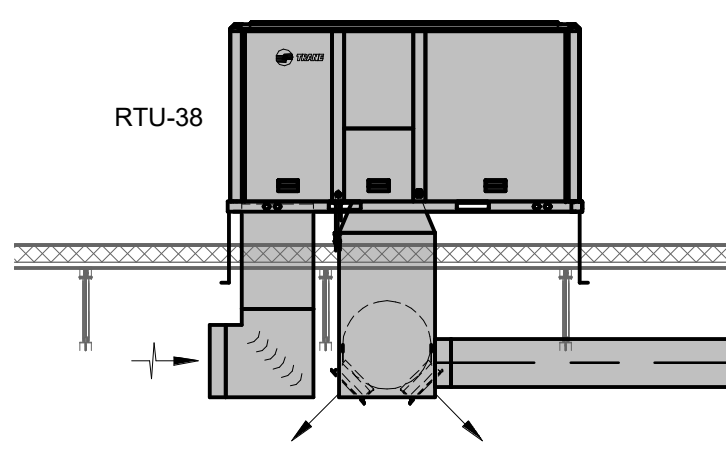
No	Description	Date
1	ADDENDUM #3	12/08/22
2	DISH WASH REVISIONS	05/15/23

DRAWN BY: JKB  
 CHECKED BY: WCL  
 COMM NO: 21025  
 DATE: OCTOBER 21, 2022  
 SHEET TITLE: FLOOR PLANS - HVAC

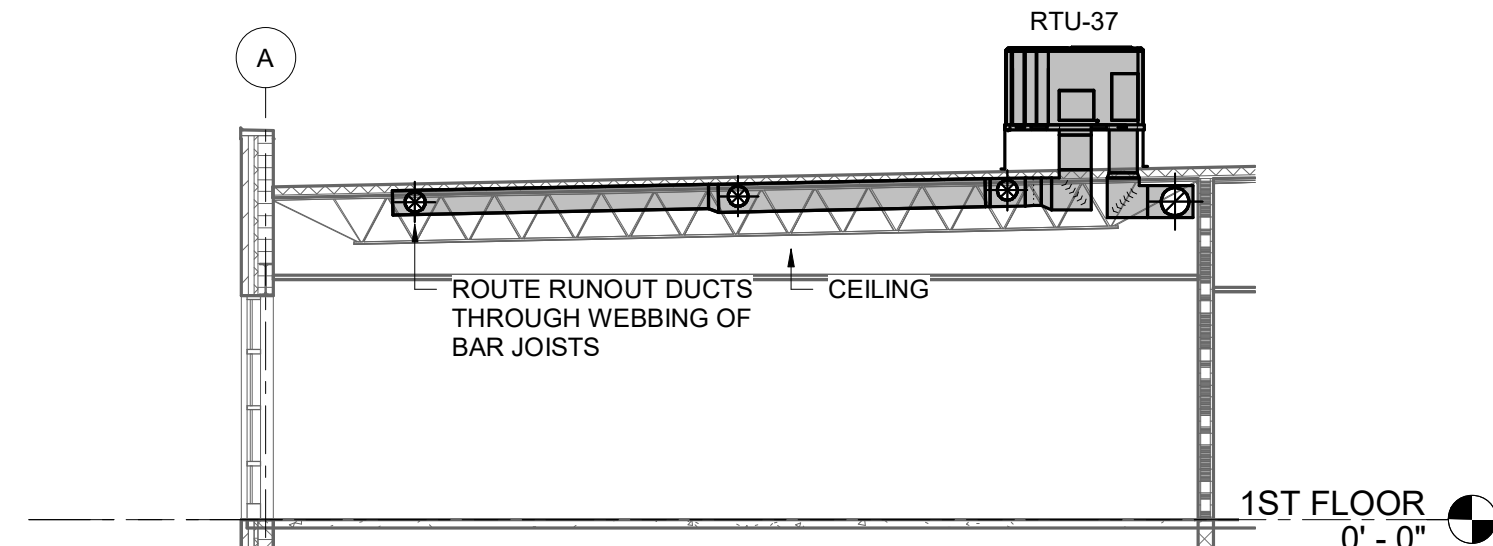
SHEET NO: M101

NOTES TO SHEET

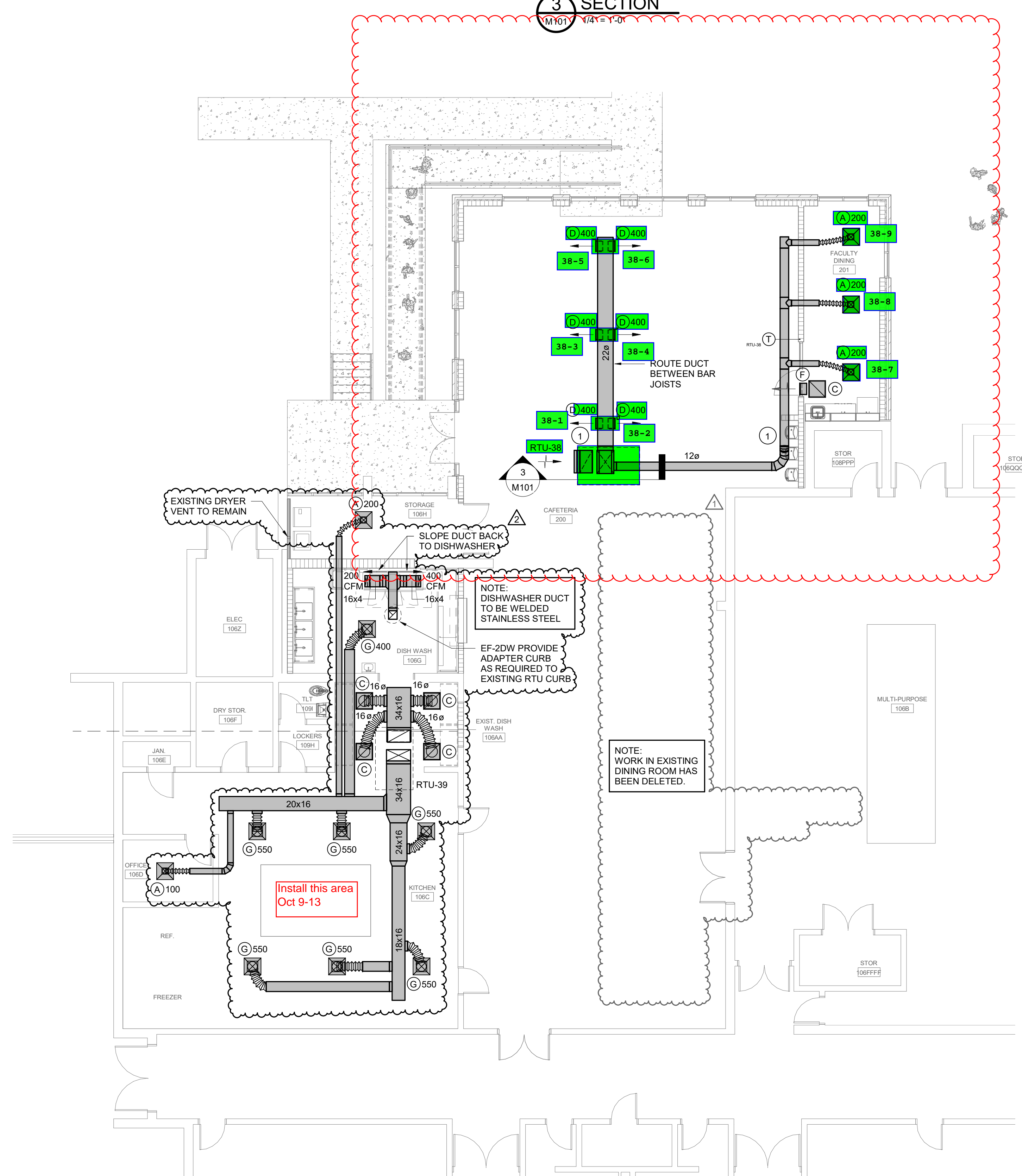
- 1 EXPOSED DUCT SHALL BE DOUBLE WALL WITH PAINT GRIP FINISH.



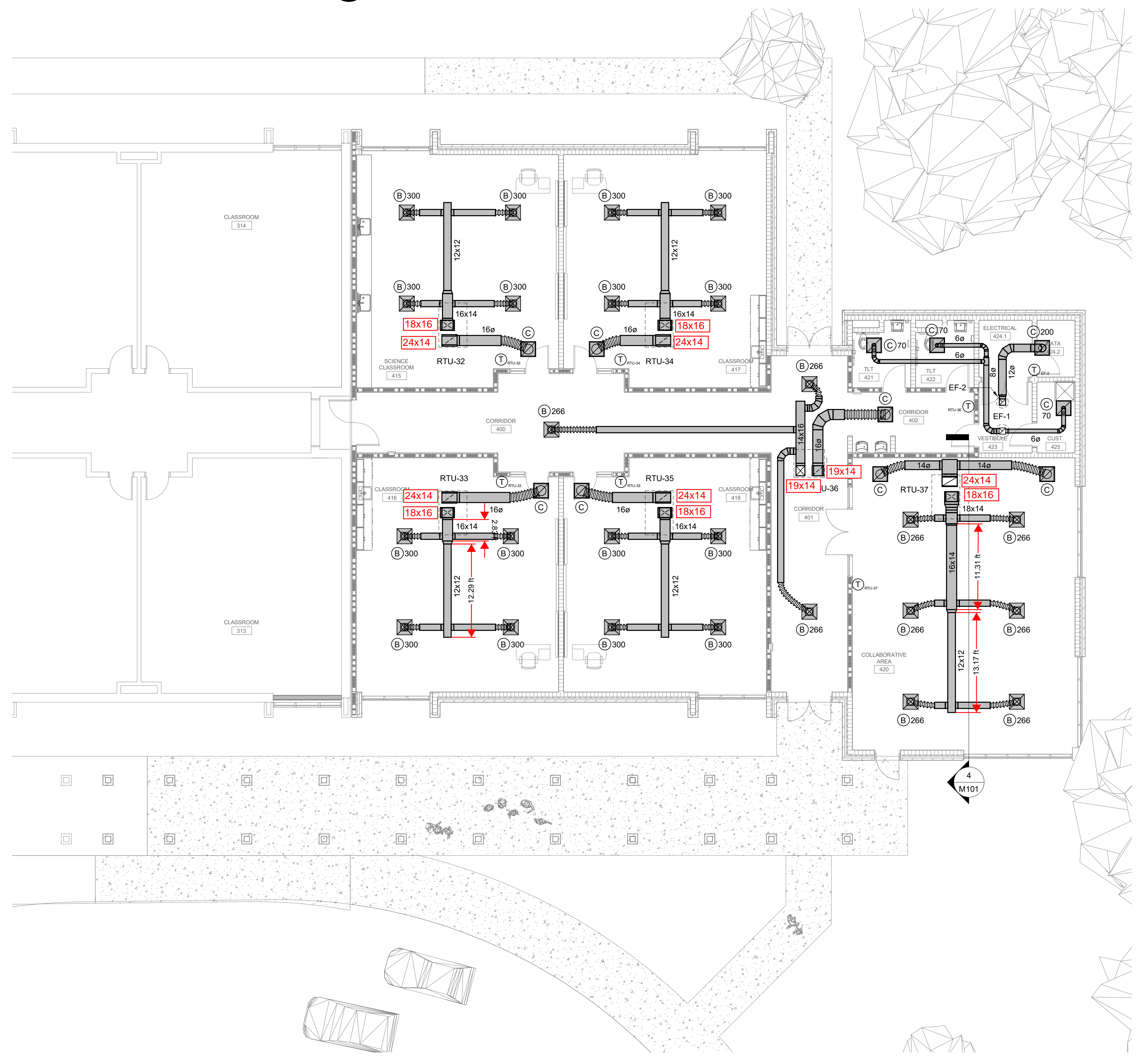
3 SECTION  
M101 1/8" = 1'-0"



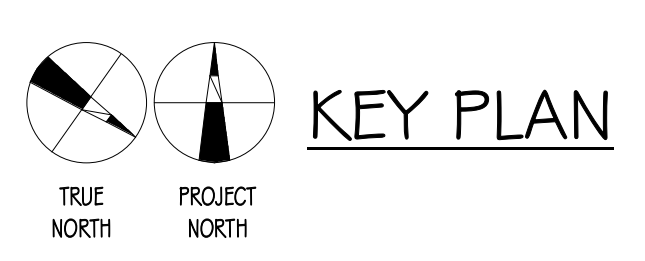
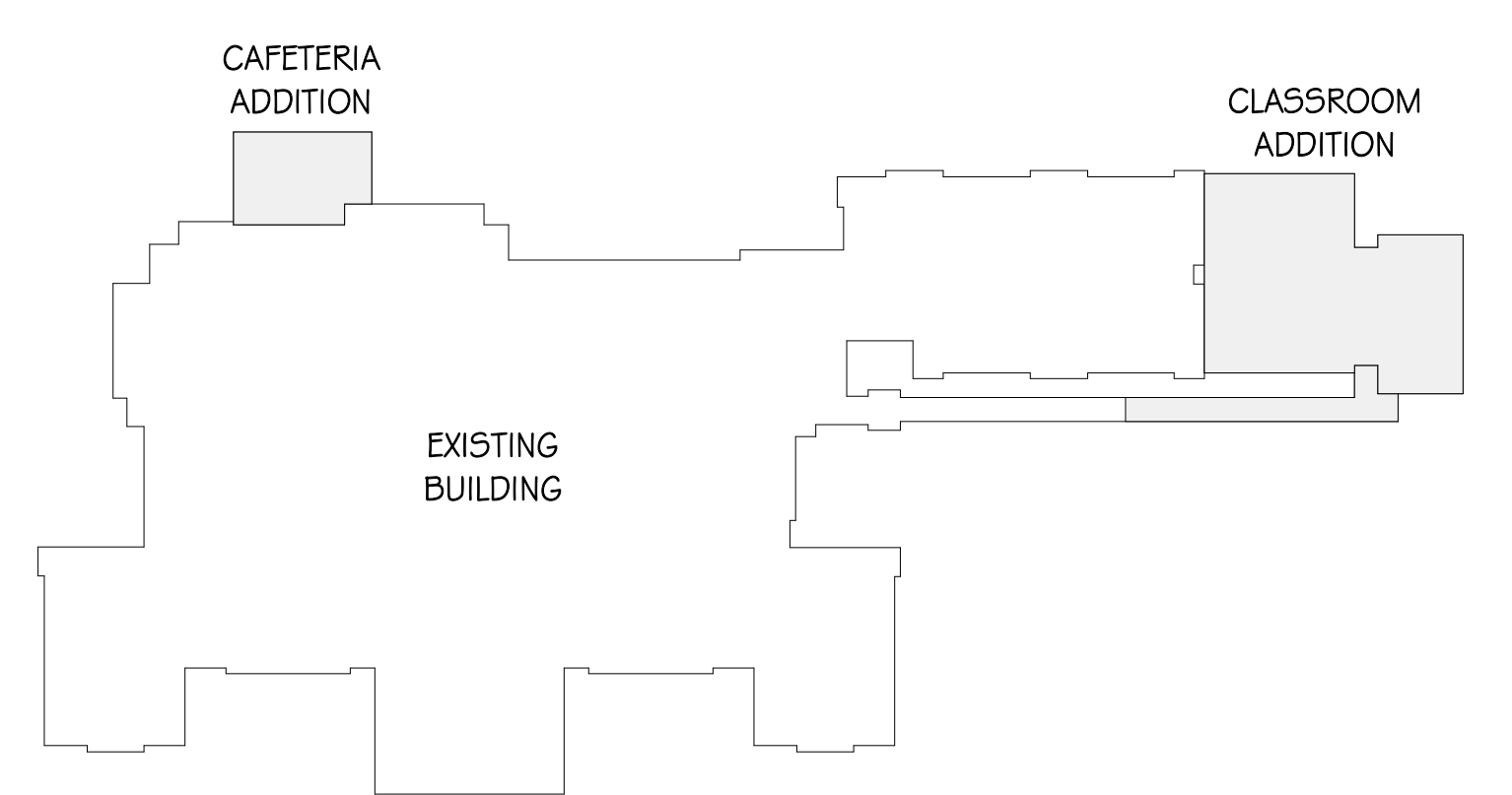
4 SECTION  
M101 1/8" = 1'-0"



1 CAFETERIA ADDITION FLOOR PLAN - HVAC  
M101 1/8" = 1'-0"



2 CLASSROOM ADDITION FLOOR PLAN - HVAC  
M101 1/8" = 1'-0"



**Swygart & Associates**  
 CONSULTING ENGINEERS  
 DBA Swygart & Assoc., Ltd. Telephone: (803) 791-9300  
 Post Office Box 11666 Fax: (803) 791-6830  
 Columbia, S.C. 29211 mail@swygart-associates.com