

HOOD INFORMATION - JOB#5401674

HOOD NO	TAG	MODEL	MANUFACTURER	LENGTH	MAX COOKING TEMP	TYPE	APPLIANCE DUTY	DESIGN CFM/FT	TOTAL EXH CFM	EXHAUST PLENUM RISER(S)					TOTAL SUPPLY CFM	HOOD CONSTRUCTION	HOOD CONFIG			
										WIDTH	LENG	HEIGHT	DIA	CFM			VEL	SP	END TO END	ROW
1	HD 1 Fryer	3650 ELPX-2	ECON-AIR	3' 6"	600 DEG	I	HEAVY	185	648			4'	8"	648	1856	-0.662"	0	430 SS WHERE EXPOSED	ALONE	ALONE
2	HD 2 Kettle	4824 EX-2-PSP-F	ECON-AIR	6' 11"	600 DEG	I	HEAVY	185	1280			4'	12"	1280	1630	-0.382"	1100	304 SS WHERE EXPOSED	ALONE	ALONE
3	HD DISH	4824 ES-VHB-G	ECON-AIR	4' 0"	700 DEG	II	N/A	125	500			4'	8"	500	1432	-0.095"	0	304 SS 100%	ALONE	ALONE

PATENT NUMBERS
 AC-PSP (UNITED STATES) - US PATENT 7963830 B2.
 AC-PSP WALL (CANADA) - CA PATENT 2820509.
 AC-PSP ISLAND (CANADA) - CA PATENT 2520330.

HOOD INFORMATION

HOOD NO	TAG	TYPE	FILTER(S)		EFFICIENCY @ 7 MICRONS	QTY	LIGHT(S)		WIRE GUARD	LOCATION	SIZE	UTILITY CABINET(S)			FIRE SYSTEM	ELECTRICAL	SWITCHES	FIRE SYSTEM PIPING	HOOD HANGING WEIGHT
			QTY	HEIGHT			LENGTH	QTY				TYPE	TYPE	SIZE					
1	HD 1 Fryer	CAPTRATE SOLD FILTER	2	16"	20"	85% SEE FILTER SPEC	2	L55 SERIES E26	NO	WALL MNT	12"x42"x24"	TANK FS	4.0	SC-121110MA	1 LIGHT	1 FAN	YES	209 LBS	
2	HD 2 Kettle	SS BAFFLE WITH HANDLES	5	16"	16"	30%	3	L55 SERIES E26	NO								NO	395 LBS	
3	HD DISH						0										NO	193 LBS	

HOOD OPTIONS

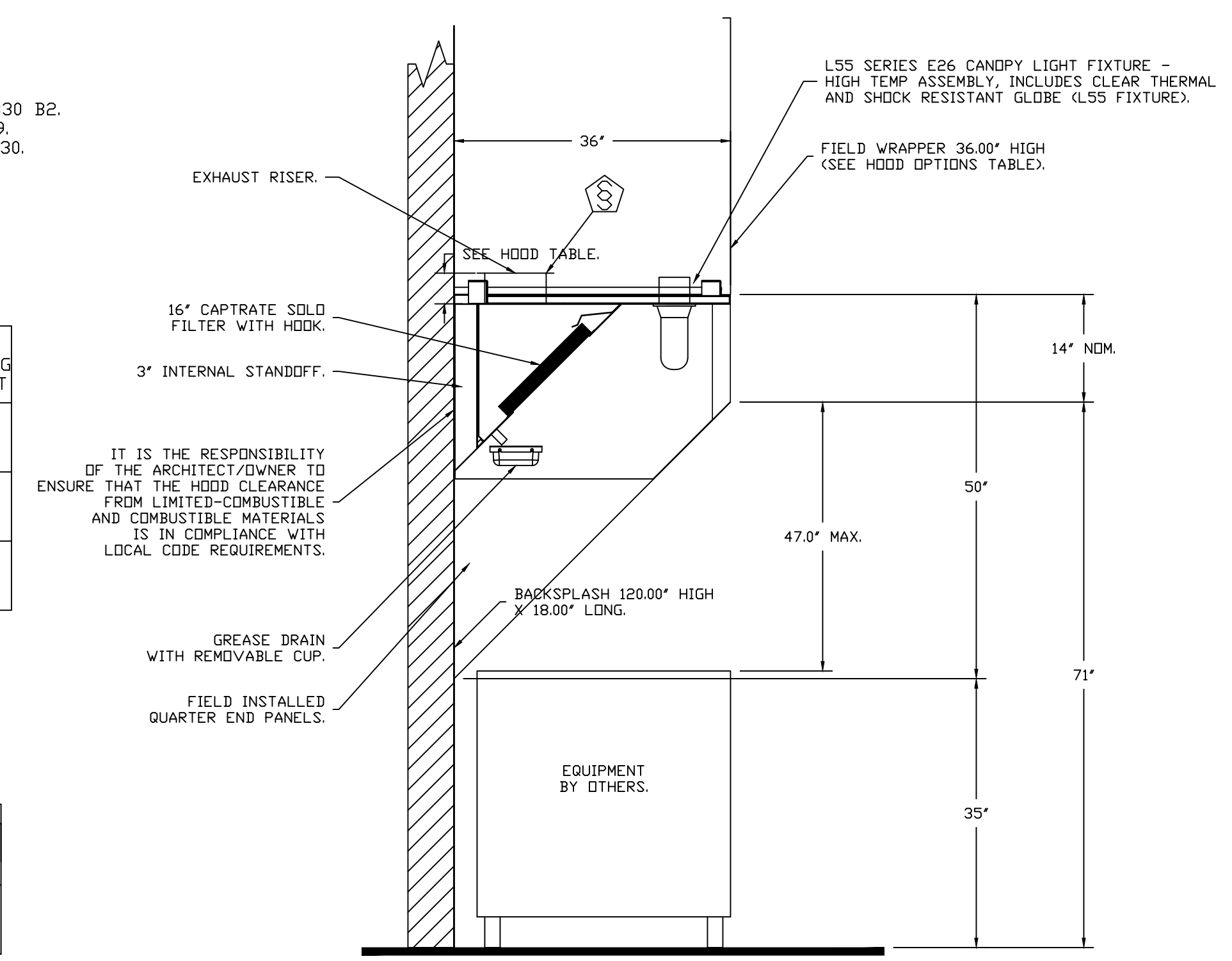
HOOD NO	TAG	OPTION
1	HD 1 Fryer	FIELD WRAPPER 36.00" HIGH FRONT, LEFT, RIGHT.
		BACKSPLASH 61.00" HIGH X 45.00" LONG 430 SS VERTICAL.
		BACKSPLASH 120.00" HIGH X 18.00" LONG 430 SS VERTICAL.
		BACKSPLASH 120.00" HIGH X 18.00" LONG 430 SS VERTICAL.
		LEFT END STANDOFF(FIN/SLP) 3" WIDE 36" LONG INSULATED.
2	HD 2 Kettle	RIGHT QUARTER END PANEL 26" TOP WIDTH, 0" BOTTOM WIDTH, 26" HIGH 430 SS.
		LEFT QUARTER END PANEL 26" TOP WIDTH, 0" BOTTOM WIDTH, 26" HIGH 430 SS.
		STRUCTURAL FRONT PANEL.
		SENSOR-CV.
		FIELD WRAPPER 17.00" HIGH FRONT, LEFT.
3	HD DISH	BACKSPLASH 120.00" HIGH X 18.00" LONG 304 SS VERTICAL.
		BACKSPLASH 80.00" HIGH X 83.00" LONG 304 SS VERTICAL.
		RIGHT SIDESPLASH 80.00" HIGH X 48.00" LONG 304 SS VERTICAL.
		BACKSPLASH - INSIDE CORNER 80.00" HIGH X 2.00" LEG LENGTH 304 SS VERTICAL.
		RIGHT QUARTER END PANEL 23" TOP WIDTH, 0" BOTTOM WIDTH, 23" HIGH 304 SS.

PERFORATED SUPPLY PLENUM(S)

HOOD NO	TAG	POS	LENGTH	WIDTH	HEIGHT	TYPE	RISER(S)				
							WIDTH	LENG	DIA	CFM	SP
2	HD 2 Kettle	Front	83"	14"	6"	MUA	10"	24"		550	0.165"
						MUA	10"	24"		550	0.165"

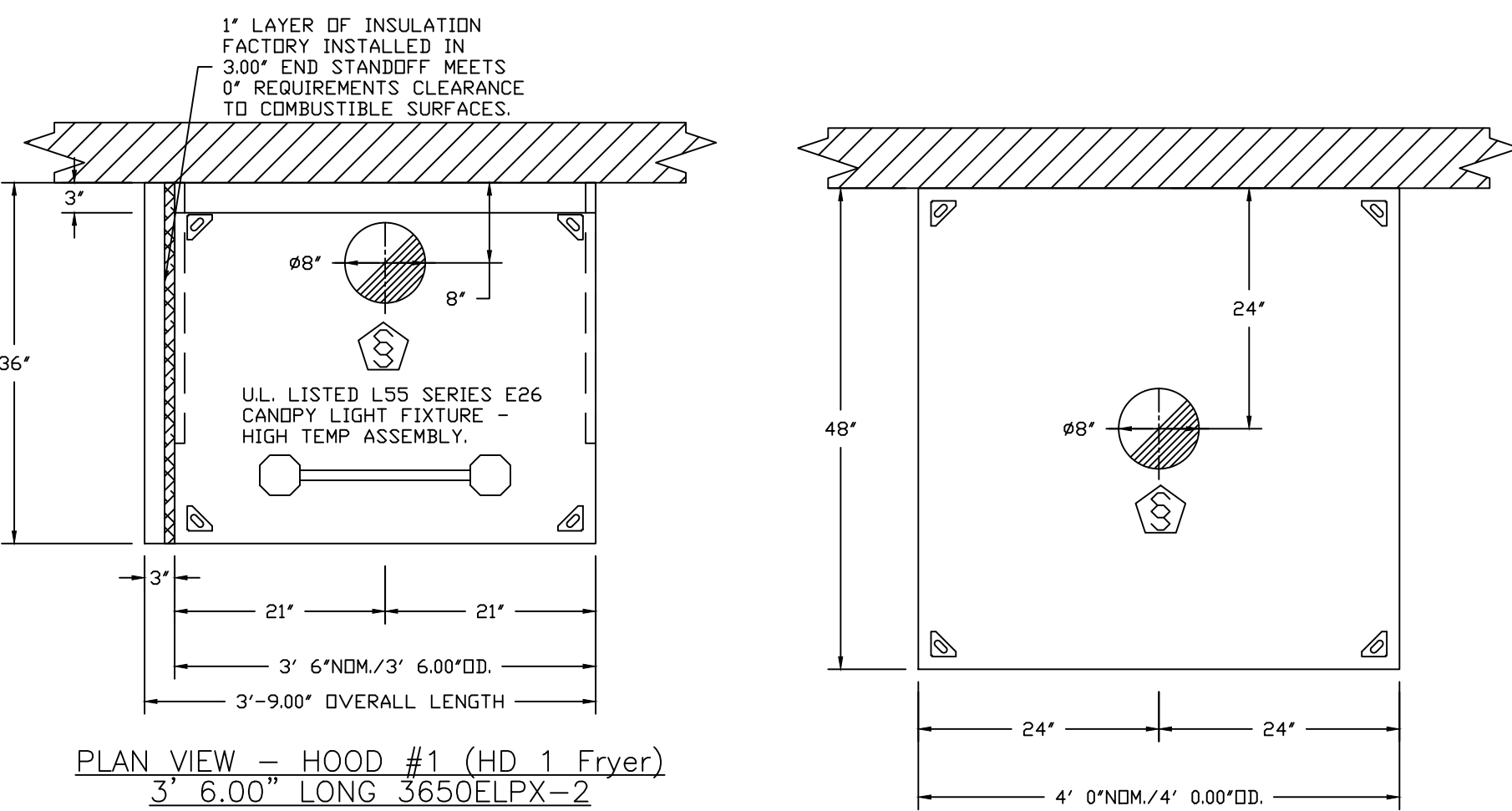
WALL-MOUNT UTILITY CABINET

HOOD NO	LOCATION	SIZE	UTILITY CABINET(S)			WEIGHT
			TYPE	SIZE	MODEL #	
1	WALL MNT	12"x42"x24"	TANK FS	4.0	SC-121110MA	2400.0 LBS



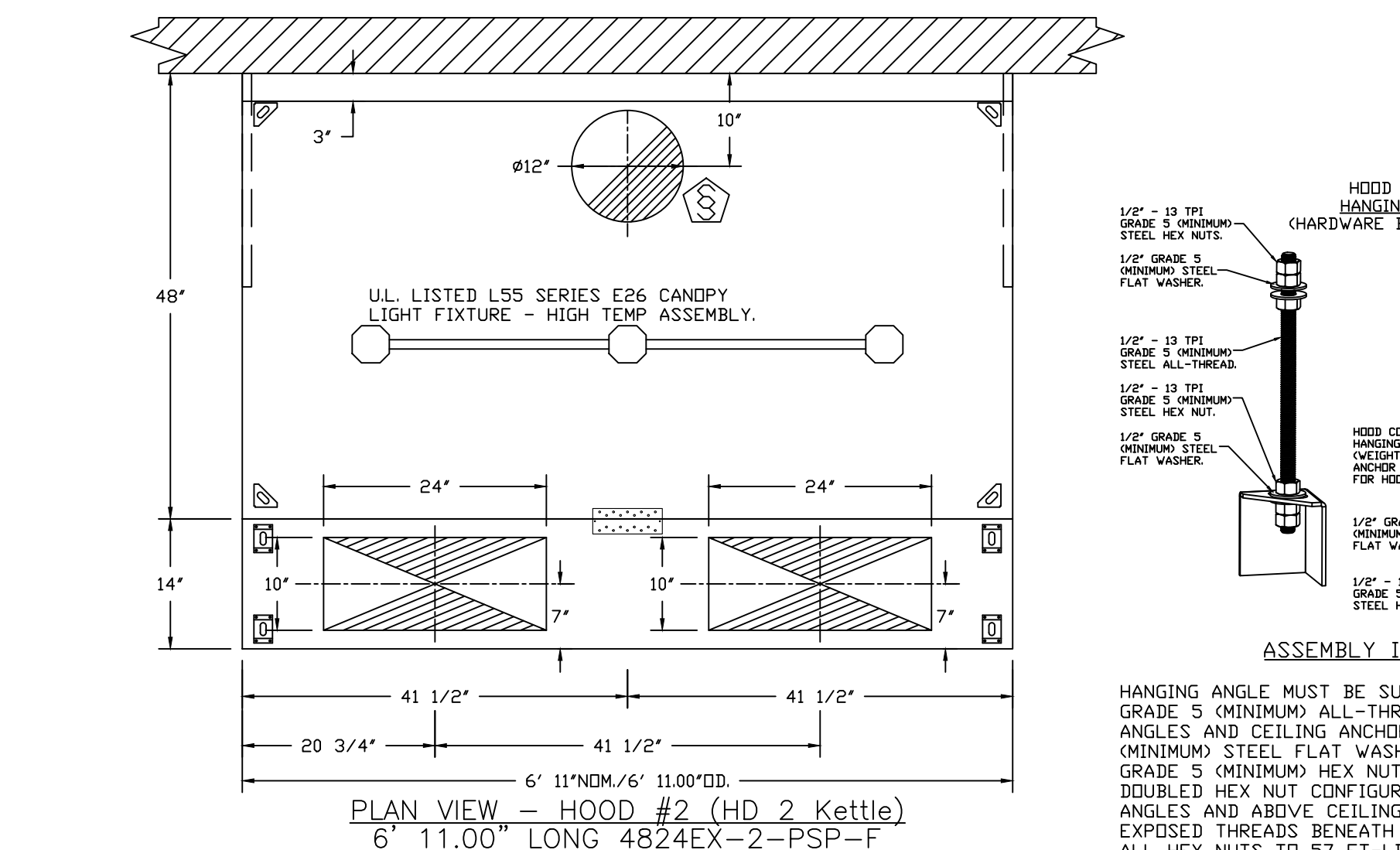
SECTION VIEW - MODEL 3650ELPX-2 HOOD - #1 (HD 1 Fryer)

CAPTIVE-AIRE HOODS ARE BUILT IN COMPLIANCE WITH UL 710 AND NFPA 96 AND ARE RECOGNIZED BY ONE OR MORE OF THE FOLLOWING:
 ETL SANITATION LISTED
 ETL LISTED FILE# 3054804-001
 HOOD SYSTEM IS FABRICATED & DESIGNED PER UL-710 STANDARDS

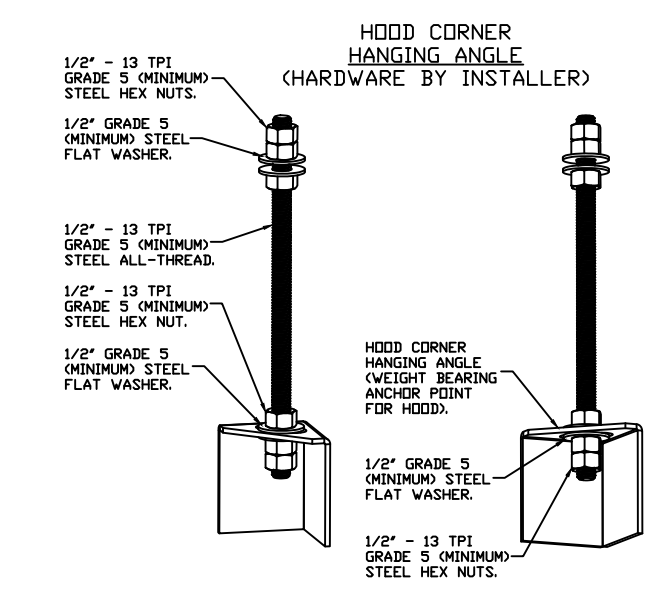


PLAN VIEW - HOOD #1 (HD 1 Fryer) 3' 6.00" LONG 3650ELPX-2

PLAN VIEW - HOOD #3 (HD DISH) 4' 0.00" LONG 4824ES-VHB-G

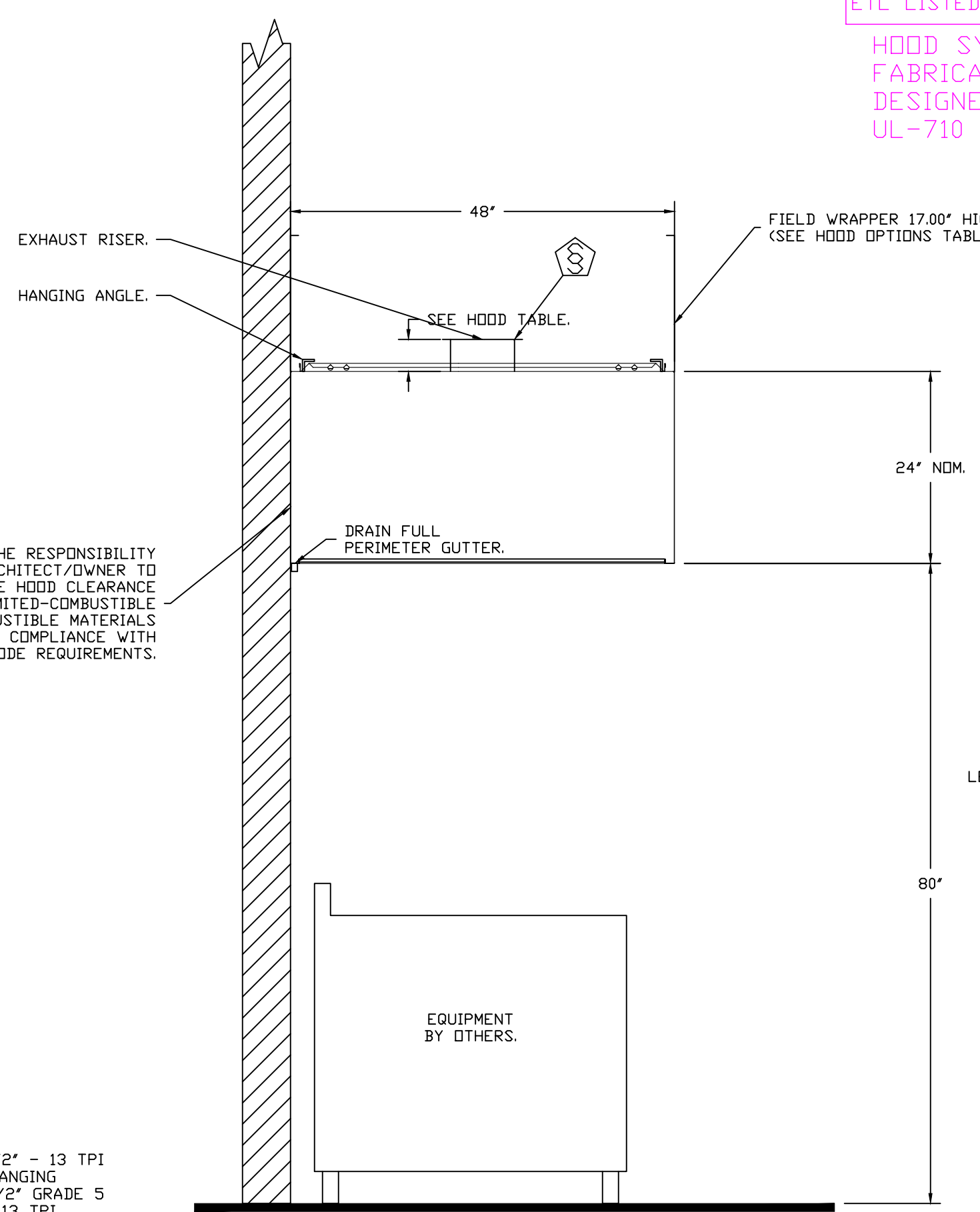


PLAN VIEW - HOOD #2 (HD 2 Kettle) 6' 11.00" LONG 4824EX-2-PSP-F

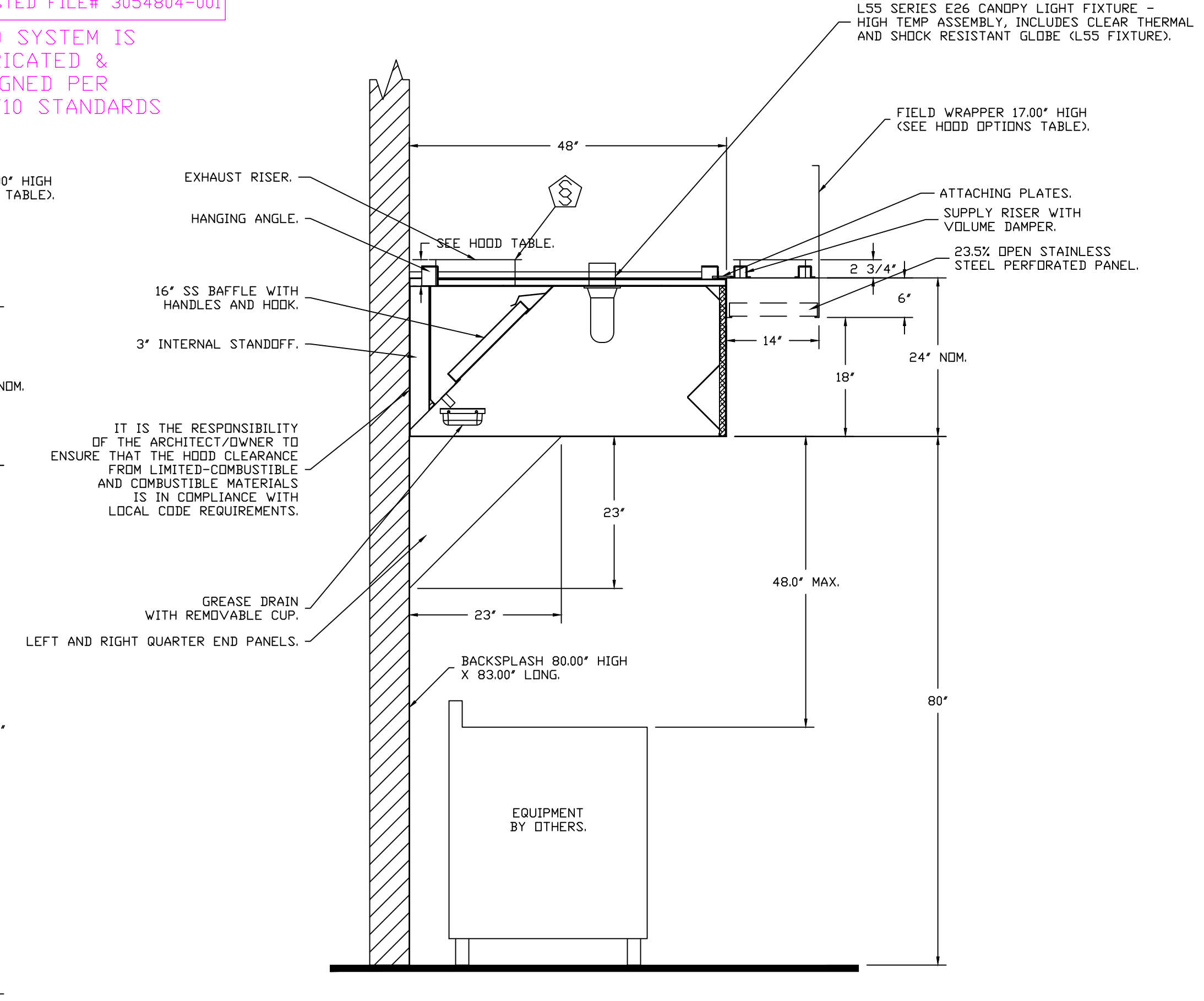


ASSEMBLY INSTRUCTIONS

HANGING ANGLE MUST BE SUPPORTED WITH 1/2" - 13 TPI GRADE 5 (MINIMUM) ALL-THREAD. SANDWICH HANGING ANGLES AND CEILING ANCHOR POINTS WITH 1/2" GRADE 5 (MINIMUM) STEEL FLAT WASHERS AND 1/2" - 13 TPI GRADE 5 (MINIMUM) HEX NUTS AS SHOWN. MUST USE DOUBLED HEX NUT CONFIGURATION BENEATH HOOD HANGING ANGLES AND ABOVE CEILING ANCHORS. MAINTAIN 1/4" OF EXPOSED THREADS BENEATH BOTTOM HEX NUT. TORQUE ALL HEX NUTS TO 57 FT-LBS.



SECTION VIEW - MODEL 4824ES-VHB-G HOOD - #3 (HD DISH)



SECTION VIEW - MODEL 4824EX-2-PSP-F HOOD - #2 (HD 2 Kettle)

REVISIONS

DESCRIPTION	DATE:

econ-air
 Air Solutions
 www.econair.com
 1329 East Kemper Rd., Ste. 4210, Cincinnati, OH, 45246 PHONE: (513) 860-5555 EMAIL: reg120@econair.com

Skyline (Tri County)
 85 E Kemper Rd,
 Cincinnati, OH, 45246

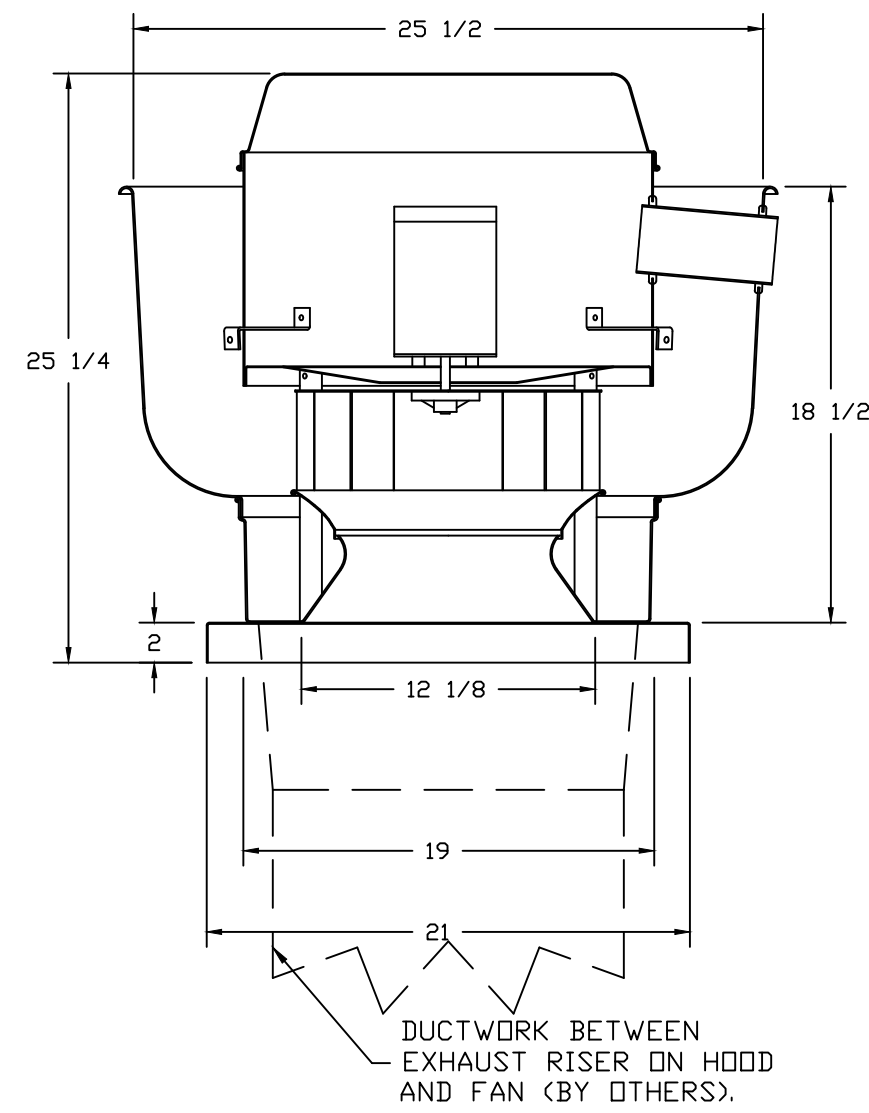
DATE: 3/29/2022
DWG.#: 5401674
DRAWN BY: jcirilli
SCALE: 3/4" = 1'-0"
MASTER DRAWING

SHEET NO.
 1

EXHAUST FAN INFORMATION – JOB#5401674

FAN UNIT NO	TAG	QTY	FAN UNIT MODEL #	MANUFACTURER	CFM	ESP	RPM	MOTOR ENCL	HP	BHP	PHASE	VOLT	FLA	DISCHARGE VELOCITY	WEIGHT (LBS)	SONES
1	EF 1 FRYER	1	EADU33H	ECON-AIR	648	0.800	1500	TEAD-ECM	0.333	0.2040	1	115	4.3	321 FPM	69	14.7
2	EF 2 KETTLE	1	EADU85H	ECON-AIR	1280	1.000	1225	TEAD-ECM	0.750	0.3240	1	115	8.9	405 FPM	81	10.3
4	EF DISH	1	EADU33H	ECON-AIR	500	0.500	1179	TEAD-ECM	0.333	0.0990	1	115	4.3	248 FPM	63	9.7

FAN #4 EADU33H – EXHAUST FAN (EF DISH)



TOP VIEW

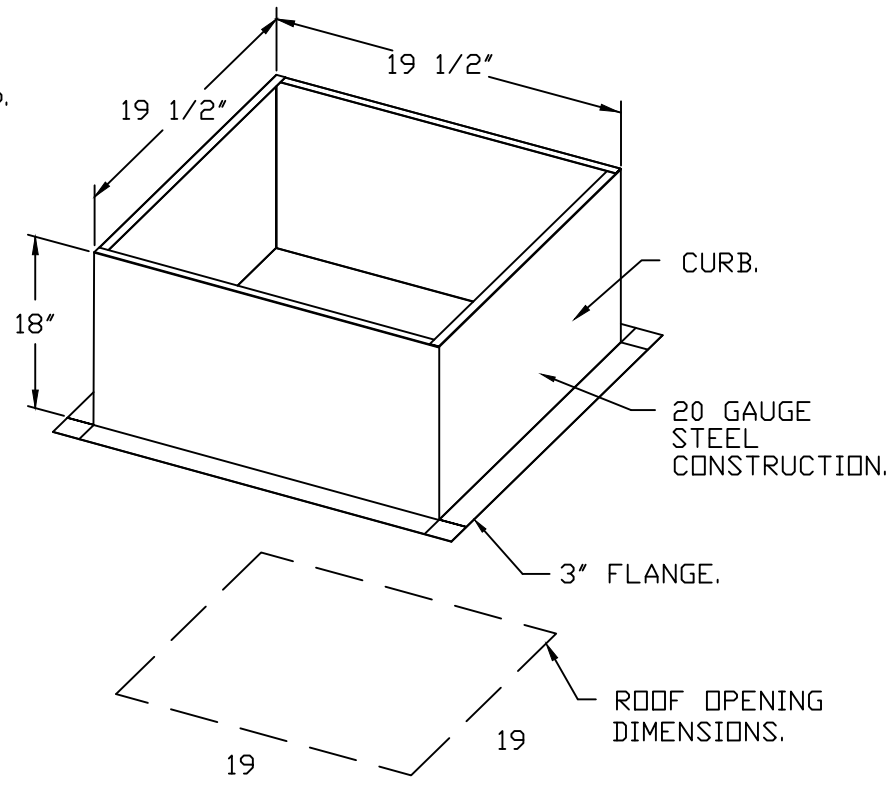
FEATURES:

- DIRECT DRIVE CONSTRUCTION (NO BELTS/PULLEYS).
- ROOF MOUNTED FANS.
- RESTAURANT MODEL.
- UL705
- VARIABLE SPEED CONTROL.
- INTERNAL WIRING.
- THERMAL OVERLOAD PROTECTION (SINGLE PHASE).
- HIGH HEAT OPERATION 300°F (149°C).
- NEMA 3R SAFETY DISCONNECT SWITCH.

NORMAL TEMPERATURE TEST
EXHAUST FAN MUST OPERATE CONTINUOUSLY WHILE EXHAUSTING AIR AT 300°F (149°C) UNTIL ALL FAN PARTS HAVE REACHED THERMAL EQUILIBRIUM, AND WITHOUT ANY DETERIORATING EFFECTS TO THE FAN WHICH WOULD CAUSE UNSAFE OPERATION.

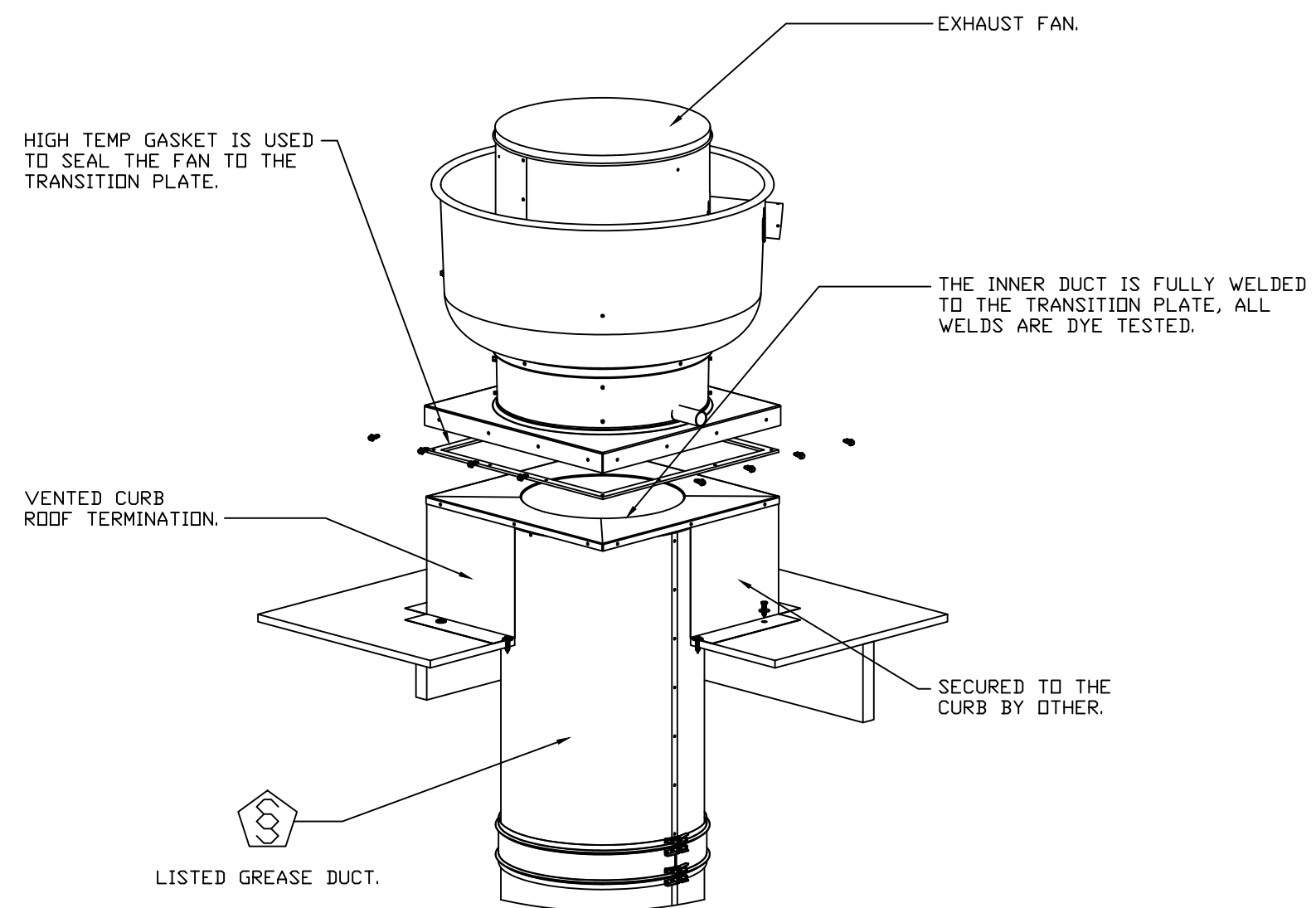
OPTIONS

ECM WIRING PACKAGE – MANUAL OR 0-10VDC REFERENCE SPEED CONTROL (TELCO MOTOR), CCW ROTATION. 2 YEAR PARTS WARRANTY.

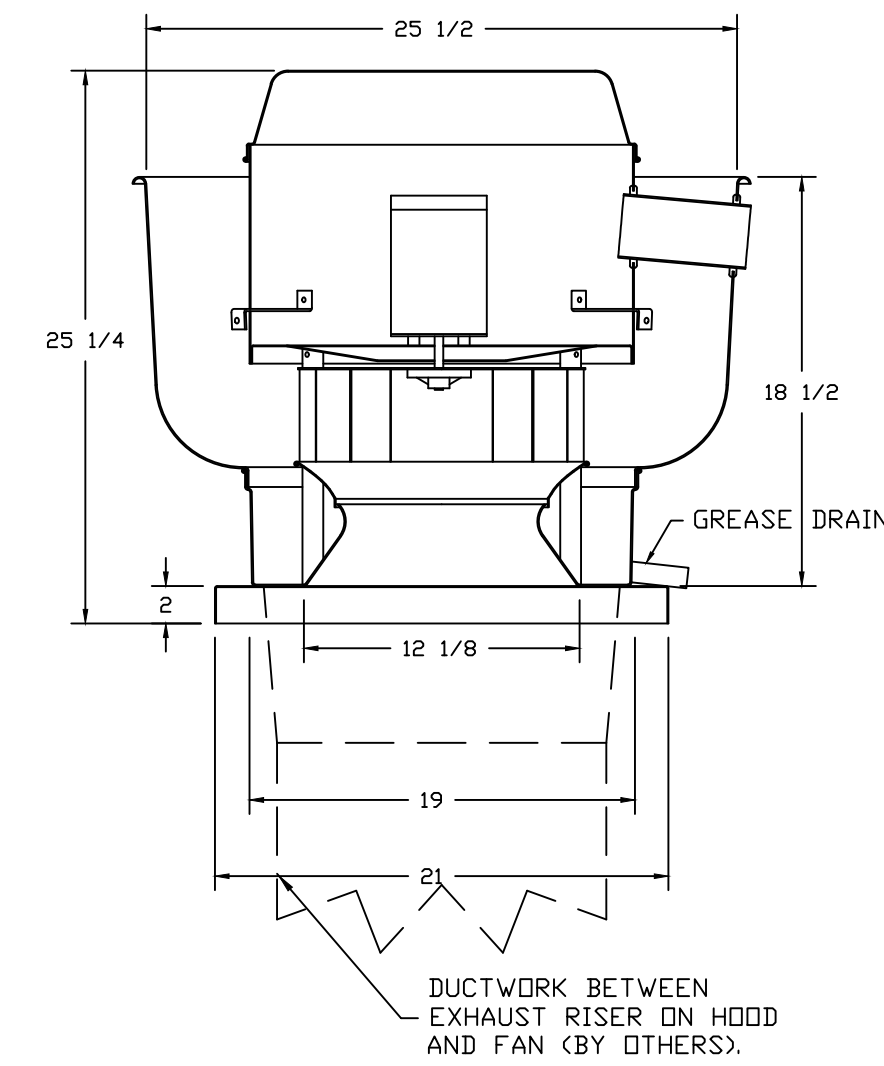


PITCHED CURBS ARE AVAILABLE FOR PITCHED ROOFS.

SPECIFY PITCH:
EXAMPLE: 7/12 PITCH = 30° SLOPE.



FAN #1 EADU33H – EXHAUST FAN (EF 1 FRYER)



TOP VIEW

FEATURES:

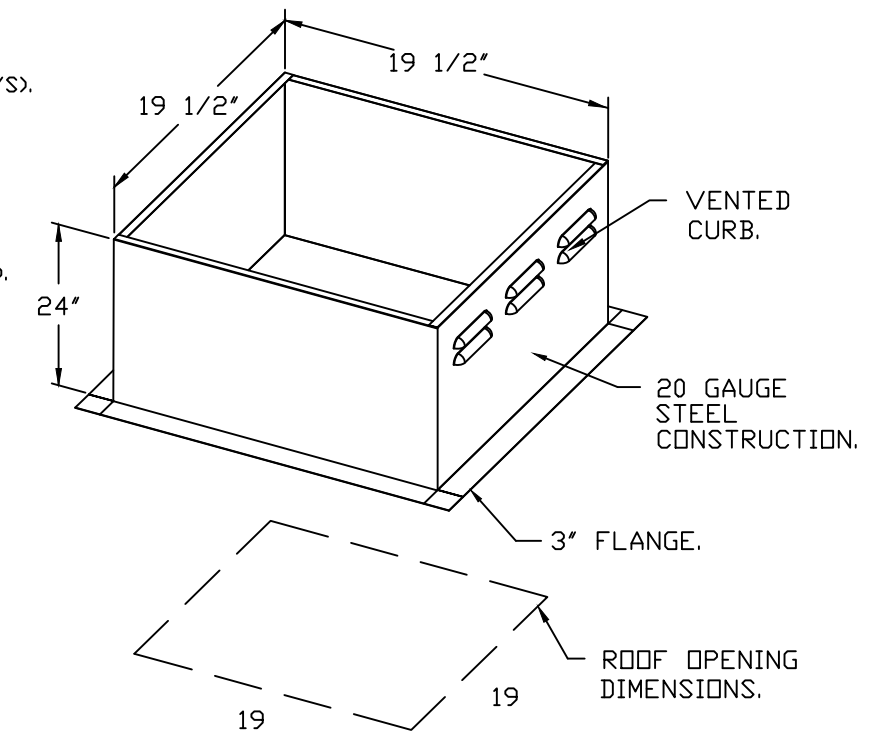
- DIRECT DRIVE CONSTRUCTION (NO BELTS/PULLEYS).
- ROOF MOUNTED FANS.
- RESTAURANT MODEL.
- UL705 AND UL762 AND ULC-S645
- VARIABLE SPEED CONTROL.
- INTERNAL WIRING.
- THERMAL OVERLOAD PROTECTION (SINGLE PHASE).
- HIGH HEAT OPERATION 300°F (149°C).
- GREASE CLASSIFICATION TESTING.
- NEMA 3R SAFETY DISCONNECT SWITCH.

NORMAL TEMPERATURE TEST
EXHAUST FAN MUST OPERATE CONTINUOUSLY WHILE EXHAUSTING AIR AT 300°F (149°C) UNTIL ALL FAN PARTS HAVE REACHED THERMAL EQUILIBRIUM, AND WITHOUT ANY DETERIORATING EFFECTS TO THE FAN WHICH WOULD CAUSE UNSAFE OPERATION.

ABNORMAL FLARE-UP TEST
EXHAUST FAN MUST OPERATE CONTINUOUSLY WHILE EXHAUSTING BURNING GREASE VAPORS AT 600°F (316°C) FOR A PERIOD OF 15 MINUTES WITHOUT THE FAN BECOMING DAMAGED TO ANY EXTENT THAT COULD CAUSE AN UNSAFE CONDITION.

OPTIONS

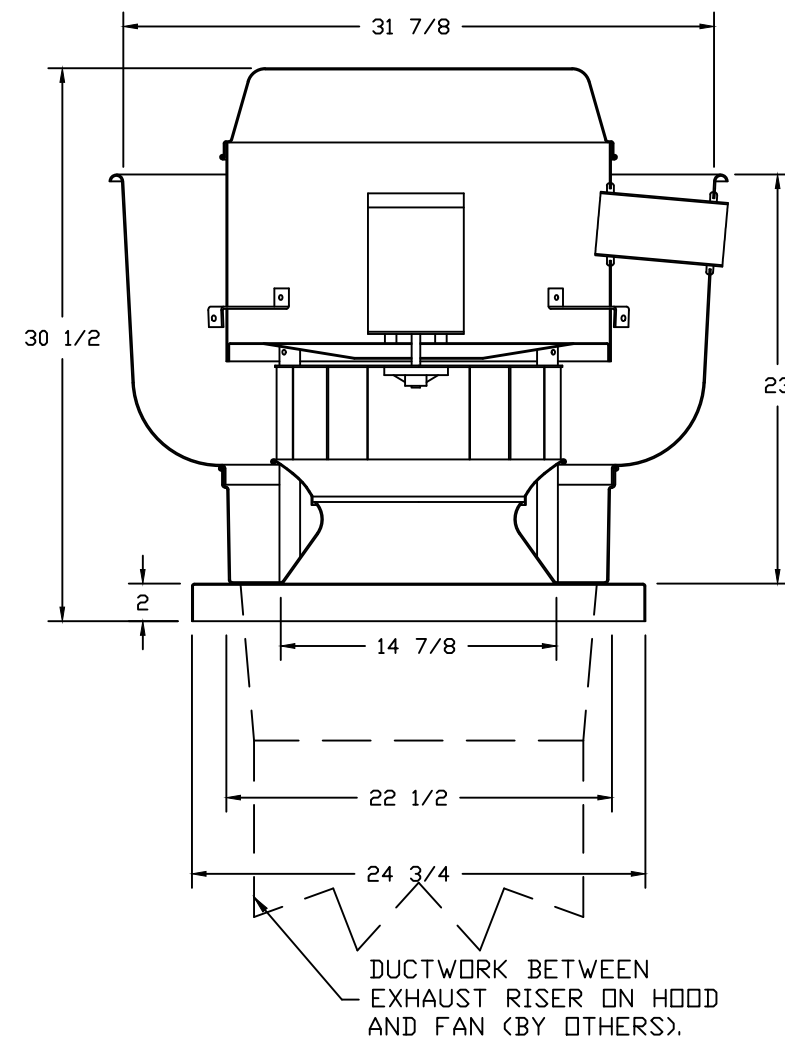
GREASE BOX. ECM WIRING PACKAGE – PWM SIGNAL FROM ECPM03 PREWIRE (TELCO MOTOR), CCW ROTATION. 2 YEAR PARTS WARRANTY.



PITCHED CURBS ARE AVAILABLE FOR PITCHED ROOFS.

SPECIFY PITCH:
EXAMPLE: 7/12 PITCH = 30° SLOPE.

FAN #2 EADU85H – EXHAUST FAN (EF 2 KETTLE)



TOP VIEW

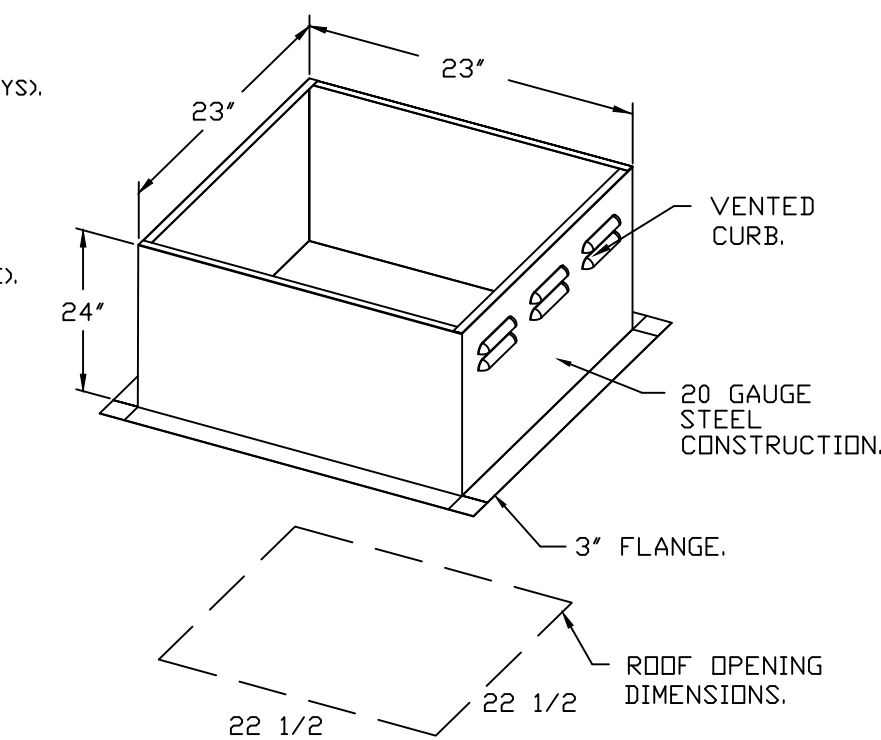
FEATURES:

- DIRECT DRIVE CONSTRUCTION (NO BELTS/PULLEYS).
- ROOF MOUNTED FANS.
- RESTAURANT MODEL.
- UL705
- VARIABLE SPEED CONTROL.
- INTERNAL WIRING.
- THERMAL OVERLOAD PROTECTION (SINGLE PHASE).
- HIGH HEAT OPERATION 300°F (149°C).
- NEMA 3R SAFETY DISCONNECT SWITCH.

NORMAL TEMPERATURE TEST
EXHAUST FAN MUST OPERATE CONTINUOUSLY WHILE EXHAUSTING AIR AT 300°F (149°C) UNTIL ALL FAN PARTS HAVE REACHED THERMAL EQUILIBRIUM, AND WITHOUT ANY DETERIORATING EFFECTS TO THE FAN WHICH WOULD CAUSE UNSAFE OPERATION.

OPTIONS

ECM WIRING PACKAGE – PWM SIGNAL FROM ECPM03 PREWIRE (TELCO MOTOR), CCW ROTATION. 2 YEAR PARTS WARRANTY.



PITCHED CURBS ARE AVAILABLE FOR PITCHED ROOFS.

SPECIFY PITCH:
EXAMPLE: 7/12 PITCH = 30° SLOPE.

REVISIONS

DESCRIPTION	DATE

www.econair.com

1329 East Kemper Rd., Ste. 4210, Cincinnati, OH, 45246 PHONE: (513) 860-5555 EMAIL: reg120@econair.com

2

recon-air

Air Solutions

Skyline (Tri County)
85 E Kemper Rd,
Cincinnati, OH, 45246

DATE: 3/29/2022

DWG.#: 5401674

DRAWN BY: jcirilli

SCALE: 3/4" = 1'-0"

MASTER DRAWING

SHEET NO.
2

MUA FAN INFORMATION - JOB#5401674

FAN UNIT NO	TAG	QTY	FAN UNIT MODEL #	BLOWER	HOUSING	MIN CFM	DESIGN CFM	ESP	RPM	MOTOR ENCL	HP	BHP	PHASE	VOLT	FLA	MCA	MDCP	WEIGHT (LBS)	SONES
3	KMUA	1	E76	G7D	D.6	600	1100	0.300	1771	TEAO-ECM	1.000	0.5980	1	115	11.6	14.5A	25A	291	22

GAS FIRED MAKE-UP AIR UNIT(S)

FAN UNIT NO	TAG	INPUT BTUs	OUTPUT BTUs	TEMP RISE	REQUIRED INPUT GAS PRESSURE	GAS TYPE
3	KMUA	78328	72062	63°F	7 IN. W.C. - 14 IN. W.C.	NATURAL

FAN OPTIONS

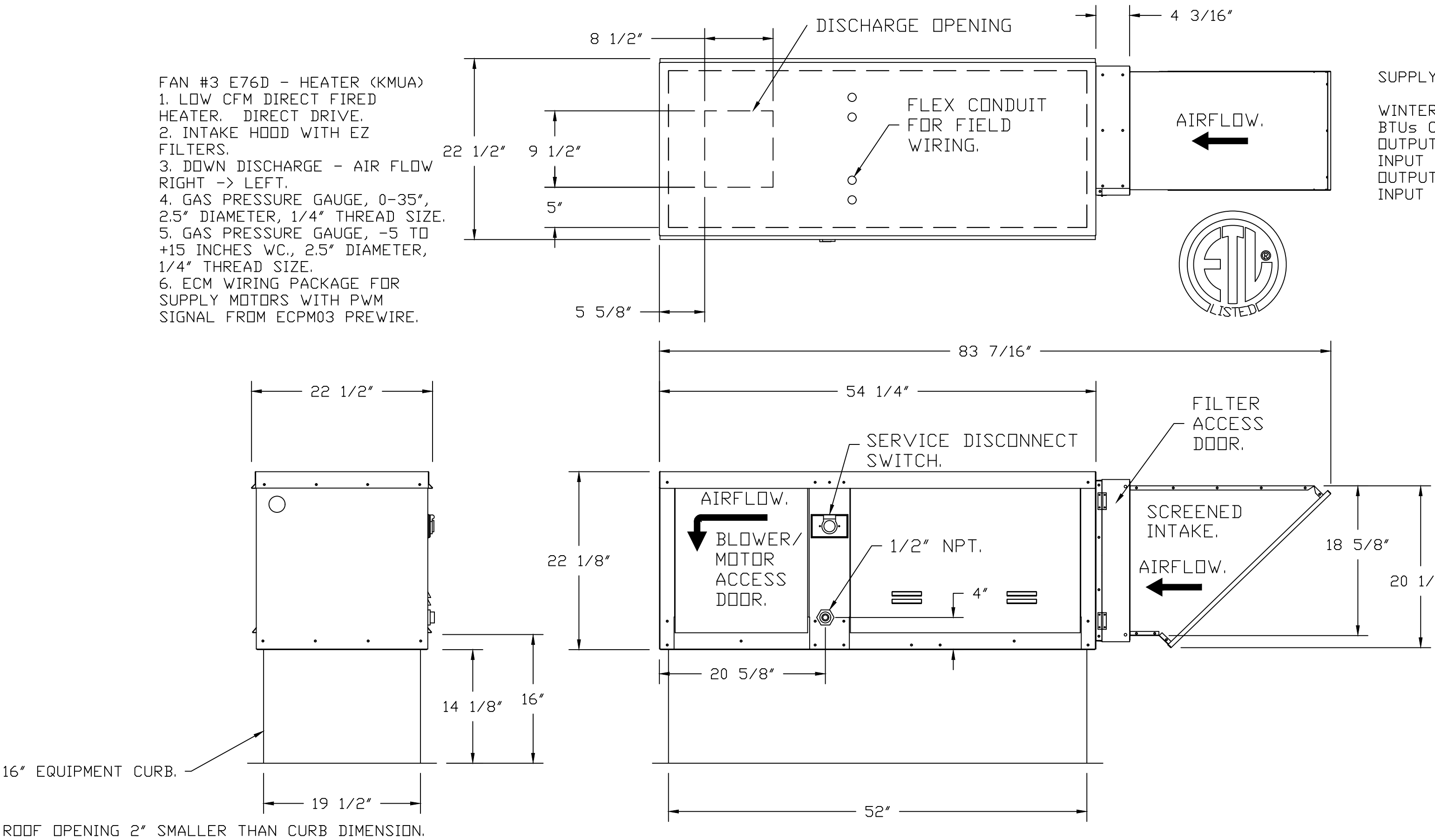
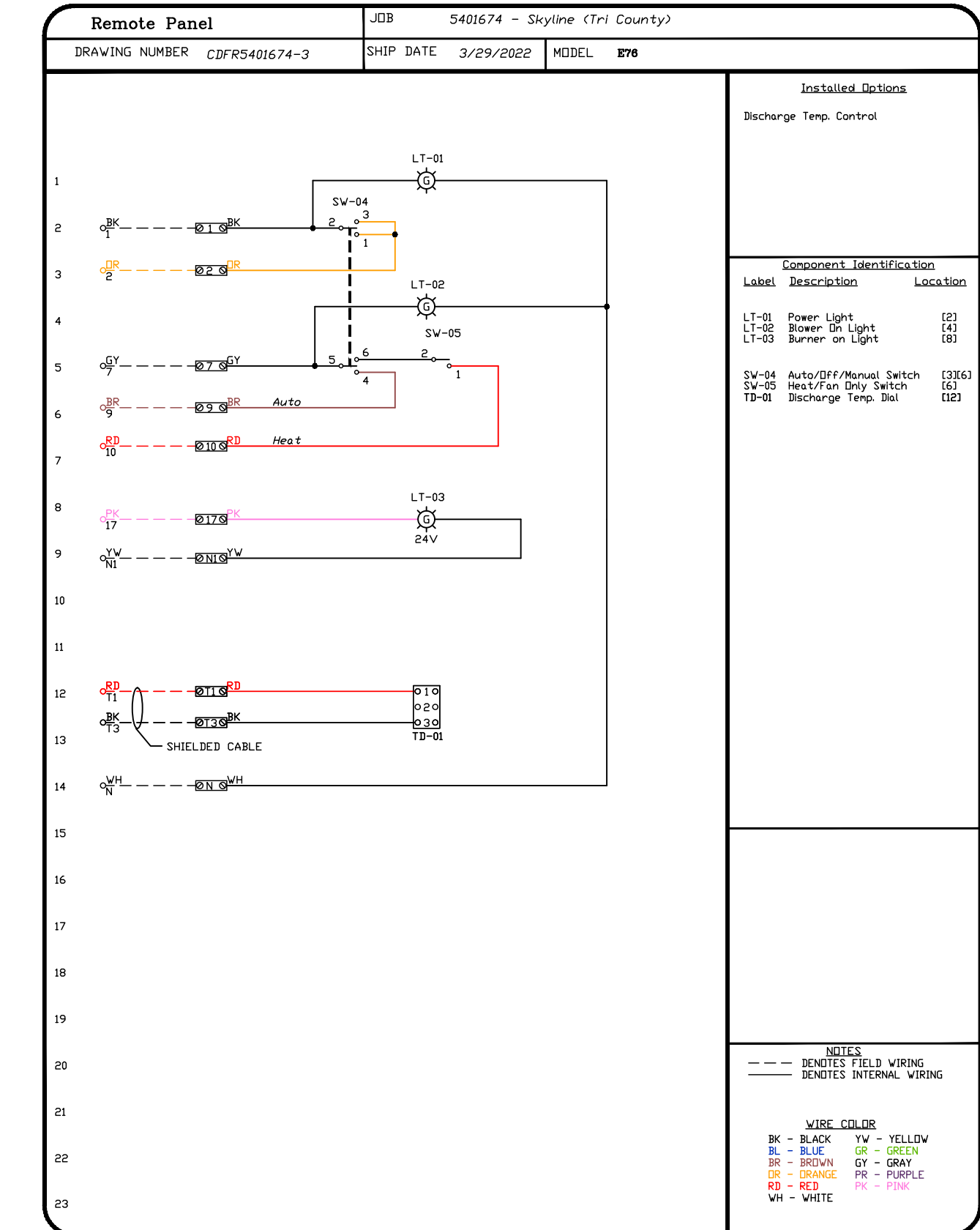
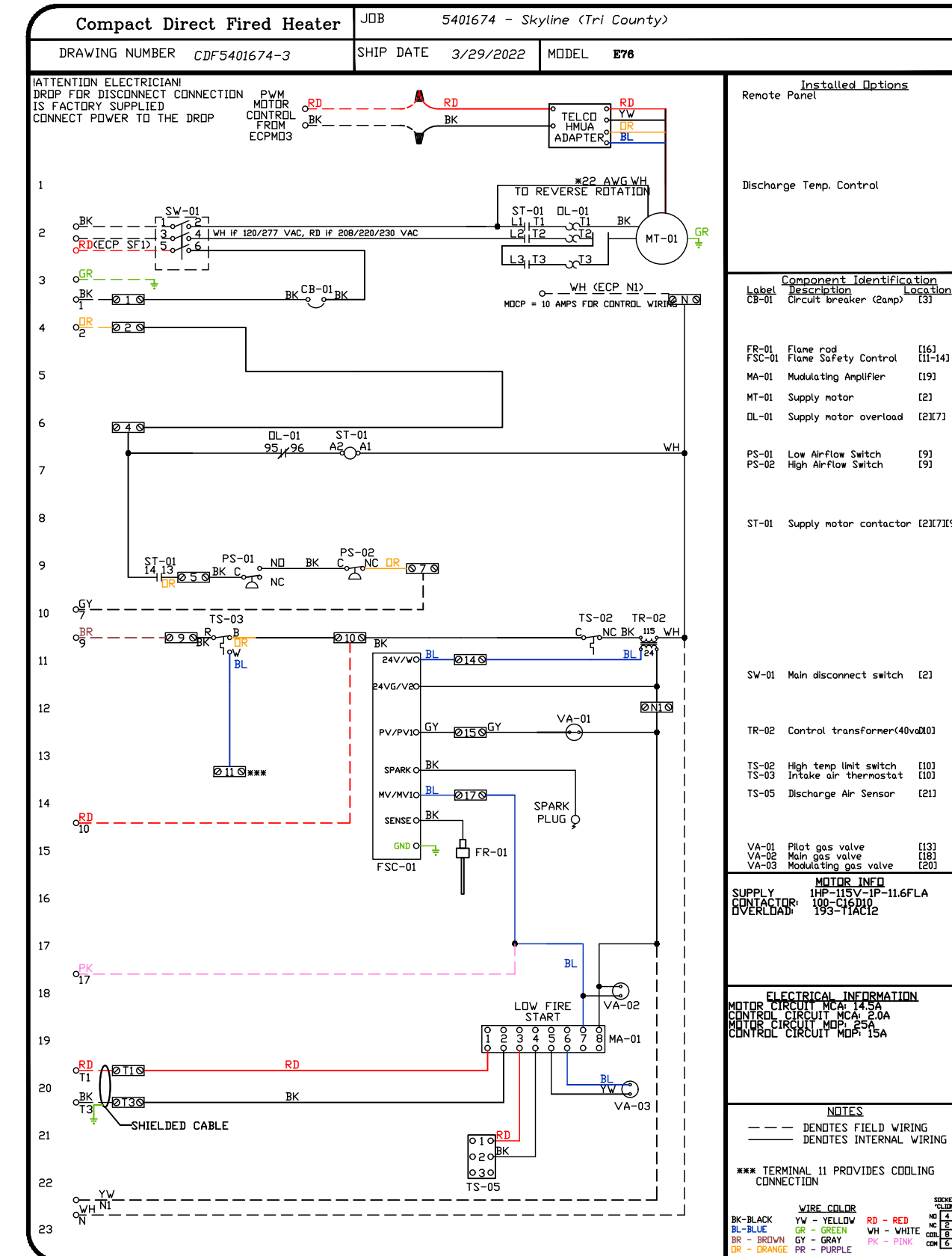
FAN UNIT NO	TAG	QTY	DESCRIPTION
1	EF 1 FRYER	1	GREASE BDX
		1	ECM WIRING PACKAGE - PWM SIGNAL FROM ECPM03 PREWIRE (TELCO MOTOR), CCW ROTATION
2	EF 2 KETTLE	1	2 YEAR PARTS WARRANTY
		1	ECM WIRING PACKAGE - PWM SIGNAL FROM ECPM03 PREWIRE (TELCO MOTOR), CCW ROTATION
3	KMUA	1	2 YEAR PARTS WARRANTY
		1	INLET PRESSURE GAUGE, 0-35"
4	EF DISH	1	MANIFOLD PRESSURE GAUGE, -5 TO 15" WC
		1	ECM WIRING PACKAGE-SUPPLY - PWM SIGNAL FROM ECPM03 PREWIRE (TELCO MOTOR), CW ROTATION
4	EF DISH	1	ECM WIRING PACKAGE - MANUAL DR 0-10VDC REFERENCE SPEED CONTRL (TELCO MOTOR), CCW ROTATION
		1	2 YEAR PARTS WARRANTY

FAN ACCESSORIES

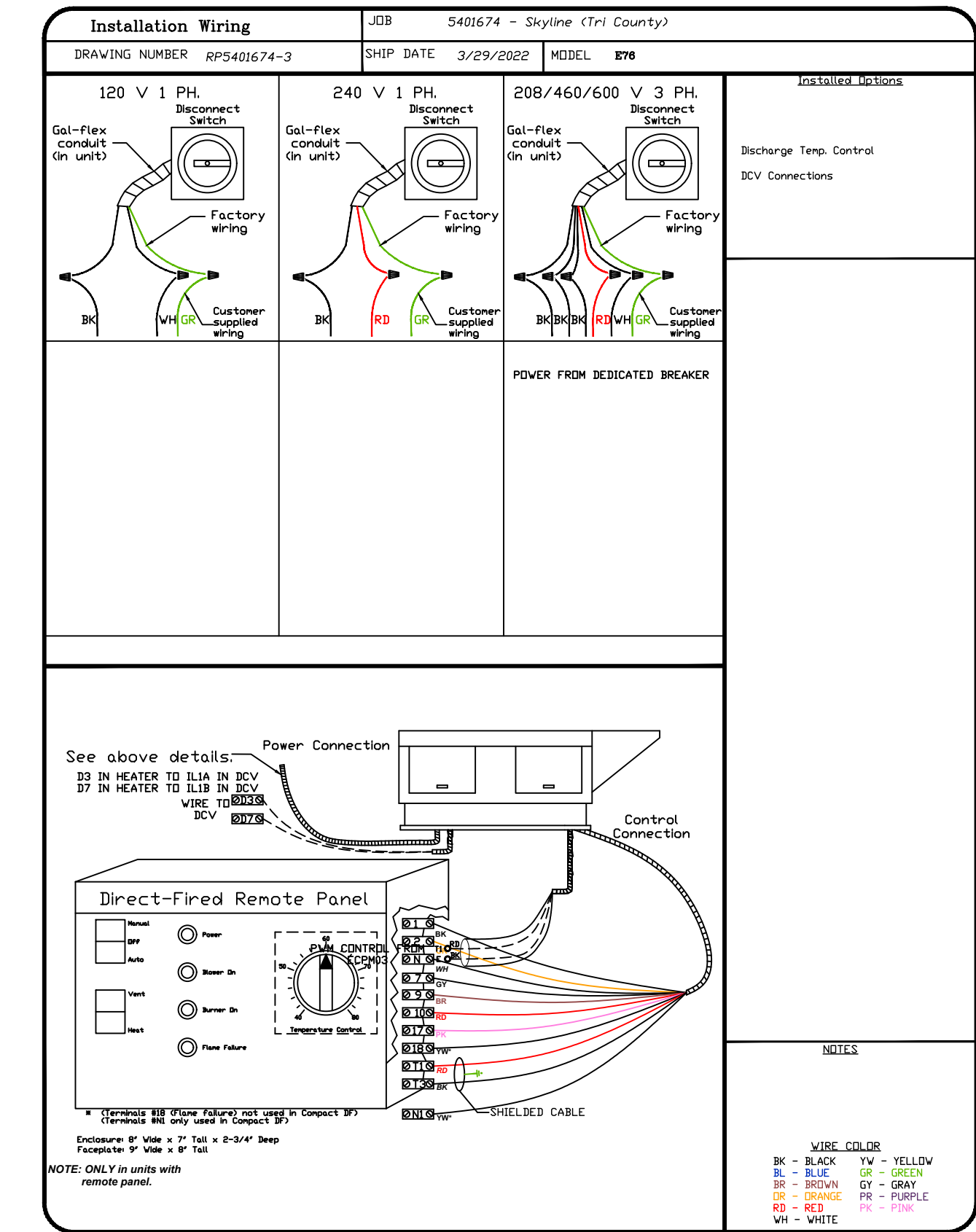
FAN UNIT NO	TAG	EXHAUST				SUPPLY		
		GREASE CUP	GRAVITY DAMPER	WALL MOUNT	SIDE DISCHARGE	GRAVITY DAMPER	MOTORIZED DAMPER	WALL MOUNT
1	EF 1 FRYER	YES						
2	EF 2 KETTLE							
3	KMUA							
4	EF DISH							

CURB ASSEMBLIES

NO	DN FAN	TAG	WEIGHT	ITEM	SIZE
1	# 1	EF 1 FRYER	34 LBS	CURB	19.500"W X 19.500"L X 24.000"H 6.000x12.000 PITCH ALONG LENGTH, RIGHT VENTED HINGED.
2	# 2	EF 2 KETTLE	41 LBS	CURB	23.000"W X 23.000"L X 24.000"H 6.000x12.000 PITCH ALONG LENGTH, RIGHT VENTED HINGED.
3	# 3	KMUA	50 LBS	CURB	19.500"W X 52.000"L X 16.000"H ALONG WIDTH, RIGHT INSULATED.
4	# 4	EF DISH	20 LBS	CURB	19.500"W X 19.500"L X 18.000"H 6.000x12.000 PITCH ALONG LENGTH, RIGHT.



SUPPLY SIDE HEATER INFORMATION:
 WINTER TEMPERATURE = 12°F. TEMP. RISE = 63°F.
 BTUS CALCULATED OFF ACTUAL AIR DENSITY.
 OUTPUT BTUS AT ALTITUDE OF 0.0 FT. = 74036.
 INPUT BTUS AT ALTITUDE OF 0.0 FT. = 80474.
 OUTPUT BTUS AT ALTITUDE OF 746 FT. = 72062.
 INPUT BTUS AT ALTITUDE OF 746 FT. = 78328.



16" EQUIPMENT CURB.
 ROOF OPENING 2" SMALLER THAN CURB DIMENSION.

REVISIONS

NO.	DESCRIPTION	DATE

recon-air
 Air Solutions
 www.reconair.com
 1329 East Kemper Rd., Ste. 4210, Cincinnati, OH, 45246 PHONE: (513) 860-5555 EMAIL: reg120@reconair.com

Skyline (Tri County)
 85 E Kemper Rd,
 Cincinnati, OH, 45246

DATE: 3/29/2022
 DWG.#: 5401674
 DRAWN BY: jcirilli
 SCALE: 3/4" = 1'-0"
 MASTER DRAWING

