

LEGEND			
A-12-400	TYPE - NECK SIZE - CFM	EF#1	EXHAUST FAN #1 (TYP)
	SPIN-IN FITTING WITH MANUAL BALANCING DAMPER, WITHOUT SCOOP	AC#1	AIR CONDITIONING UNIT #1 (TYP)
	SPIN-IN HARD ϕ FLEXIBLE ϕ DIFFUSER		RETURN/EXHAUST (TYP)
	REMOTE TEMPERATURE SENSOR		SUPPLY DIFFUSER, SQ FACE (TYP)
	HUMIDITY SENSOR		PLAN NOTE REFERENCE
	SMOKE DETECTOR		MANUAL VOLUME DAMPER
12X16	DUCT SIZE 1ST NUMBER - HORIZONTAL DIMENSION 2ND NUMBER - VERTICAL DIMENSION		DIRECTION OF THROW ON DIFFUSER

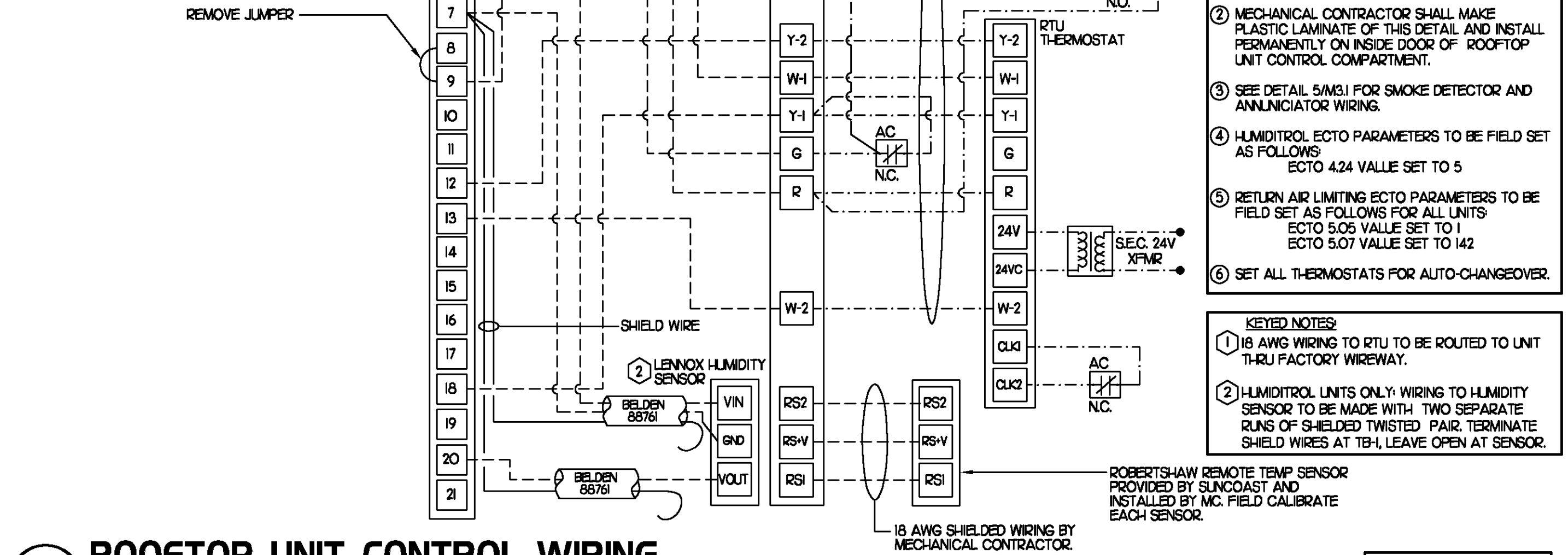
LENNOX FRESH AIR TEMPERING SETUP

- INSTALL FRESH AIR TEMPERING KIT WIRING HARNESS AS RECOMMENDED BY LENNOX.
- LOCATE SUPPLY AIR TEMPERATURE SENSOR IN SUPPLY DUCT DOWNSTREAM OF FIRST ELBOW. SECURE WIRING TO DUCT OR STRUCTURE WITH RUBBER COATED CLAMPS. DO NOT RUN WIRING INSIDE DUCT WORK. PROTECT ALL WIRING PENETRATIONS WITH RUBBER GROMMETS.
- CHANGE ROOFTOP UNIT ECTO PARAMETER 6.20 TO A VALUE OF 145. THIS WILL PREVENT THE SUPPLY AIR TEMPERATURE FROM DROPPING BELOW 66F DEG DURING HEATING MODE WHEN THERMOSTAT IS NOT ACTIVELY CALLING FOR HEAT. ECTO PARAMETER 6.20 MUST BE CHANGED TO ACTIVATE THE FRESH AIR TEMPERING FEATURE.
- CHANGE ROOFTOP UNIT ECTO PARAMETER 6.21 TO A VALUE OF 21 WHICH WILL MAKE THE DEADBAND VALUE EQUAL 14F.
- CHANGE ROOFTOP UNIT ECTO PARAMETER 6.22 TO A VALUE OF 37 WHICH WILL MAKE THE CYCLE TIME VALUE EQUAL 5 MINUTES.

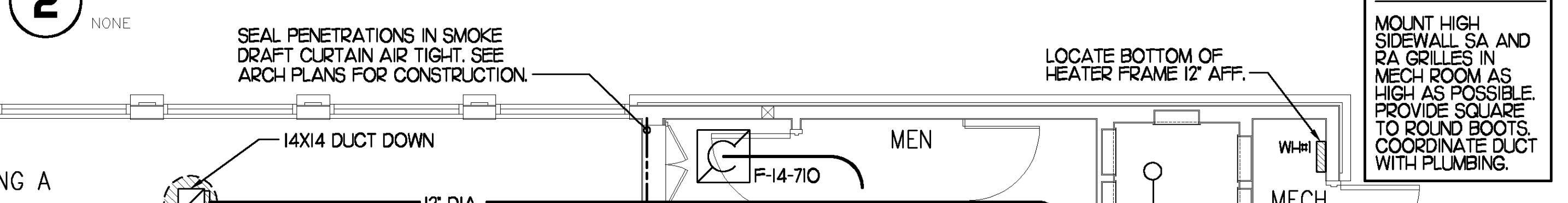
KEY NOTES

- MOUNT REMOTE SENSOR ON WALL AT 5'-0" AFF AND ROUTE WIRING BACK TO SUNCOAST TEMP CONTROL PANEL.
- 6X8 CONNECTION TO HOOD#3 WITH HALTON KBD EQUALIZER IN RISER. SEE DWG M21 FOR MORE INFORMATION.
- BRANCH TAKE-OFFS ARE NOT TO BE LOCATED CLOSER THAN 3'-0" FROM ANY ELBOW INCLUDING THE SUPPLY AIR DROP FROM CURB.
- TRANSITION IN VERTICAL DROP FROM FULL SIZE OF CURB OPENING TO SIZE SHOWN. PROVIDE TURNING VANES IN ELBOW.
- TRANSITION IN VERTICAL DROP FROM FULL SIZE OF CURB OPENING TO SIZE SHOWN. NO TURNING VANES IN ELBOW.
- R/A DUCT DROP TO BE FULL SIZE OF CURB CONNECTION. TERMINATE DROP 0'-5" ABOVE CEILING.
- MOUNT LENNOX HUMIDITY SENSOR ON WALL ABOVE SPACE TEMP SENSOR AND ROUTE WIRING TO UNIT ON ROOF.
- EF#1 AND EF#2 MUST BE LOCATED A MINIMUM OF 10 FT FROM PARAPETS.
- INSULATION ON DUCT DROP THROUGH UPPER CEILING TO STOP AT UPPER CEILING PENETRATION. SAND/DEGREASE GALVANIZED SHEET METAL AND PAINT FLAT WHITE. CEILING TILE AT UPPER CEILING TO BE CUT TO FIT AROUND DUCT DROP.
- MOUNT REMOTE SENSOR FOR PLAYGROUND 10'-4" AFF. ROUTE WIRING BACK TO SUNCOAST TEMP CONTROL PANEL.

LEGEND	
SEC.	SUNCOAST ENVIRONMENTAL CONTROLS CFA-500 ENERGY MGT PANEL
AC	SUNCOAST FACTORY INSTALLED AND WIRED A/C RELAY, ENERGIZED BY PUTTING STORE SWITCH IN 'STORE OCCUPIED' POSITION
- - -	18 GA. WIRING BY CONTRACTOR
- - -	RTU FACTORY WIRING
- - -	SEC. FACTORY WIRING



2 ROOFTOP UNIT CONTROL WIRING



4 GREASE ACCESS DOOR SCHEDULE

MARK	OPENING SIZE	DOOR SIZE	REMARKS
A	84 X 12W	104 X 14W	I
B	84 X 10W	84 X 12W	I

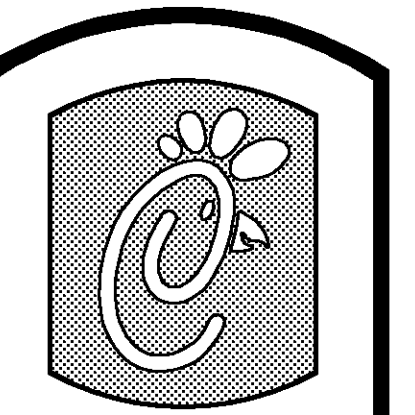
1) ACCESS DOOR SHALL BE UL 1978 LISTED, REQUIRE NO TOOLS FOR REMOVAL AND BE EQUAL TO DUCTMATE ULTIMATE DOOR II WELD ON TYPE.

3 AIR BALANCE SCHEDULE

AIR TYPE	TOTAL CFM
SUPPLY	16545
RETURN	12245
EXHAUST	3320
OUTSIDE AIR	4300
BUILDING POSITIVE PRESSURE	980

1 MECHANICAL FLOOR PLAN

1/4"=1'-0"



5200 Buffington Rd.
Atlanta Georgia,
30349-2998

Mark	Date	By	COMMENTS
#1	05/19/08		BUILDING COMMENTS
#3	06/10/08		WATER COMMENTS

Mark	Date	By	COMMENTS

BENNON ENGINEERING, LLC
9000 Langhorne Road
Building 2400
Norcross, GA 30071
(770) 729-1422, bus
(770) 729-0430, fax
contact@bennoneng.com

STORE
Chick-Fil-a
FSU S06C-R
Benchwood Drive
and Commerce
Center Drive
Dayton, OH

SHEET TITLE
MECHANICAL FLOOR PLAN

DWG EDITION 07.1
REVISION

Job No. : 8014
Store : 2182
Date : 04/01/08
Drawn By : JAL
Checked By : RDB

Sheet
M-11

SHEET NOTES

- DUCT SIZES SERVING DIFFUSERS AND GRILLES ARE SAME SIZE AS DIFFUSER OR GRILLE NECK UNLESS NOTED OTHERWISE.