



LETTER OF TRANSMITTAL

SHP
312 Plum Street, Suite 700
Cincinnati, OH 45202

Phone: 513-381-2112
Fax: 513-381-5121
eMail: kbarolovicht@shp.com

TO: Marcus Pickworth
 COMPANY: Shook Construction
 2000 W. Dorothy Lane
 Moraine, OH 45439

FROM: Kate Bartolovich
 RE: Dayton Regional STEM New
 Elementary School (K-5)

DATE: 10/24/2024
 COMM NO.: 2024026.01

We are Sending You the Following Items Attached Under a Separate Cover VIA _____

- Copy of Letter Prints Specifications
- Shop Drawings Change Order Pay Application
- Plans Samples Other..

COPIES	DIV. NO.	DESCRIPTION
1	233600-26	Air Terminal Units (PD, SD, DD) -R1

THESE ARE TRANSMITTED as checked below

- For Approval Reviewed as Submitted Resubmit copies for approval
- For Your Use Reviewed as Noted Submit copies for approval
- For Review & Comments Returned for Corrections Return corrected prints

REMARKS

“Reviewed”

IF ENCLOSURES ARE NOT AS NOTED, PLEASE NOTIFY SIGNEE

COPIED TO

SIGNED 

 Kate Bartolovich
 SHP - Construction Admin

Built-in cover page



26-1:Air Terminal Units - Single Duct - Product Data, Shop Drawings, & Delegated Design Submittals

Status	Open Submitted
Spec section	233600 Air Terminal Units - Single Duct
Manager	Caitlin Erbacher (Shook Construction)
Responsible contractor	Caitlin Erbacher (Shook Construction)
Reviewers step 01	Kate Bartolovich (SHP) Brock Rossel (SHP)

<input checked="" type="checkbox"/> Reviewed	Fabrication/Installation may be undertaken. Reviewed does not authorize changes to the Contract Sum or Contract Time.
<input type="checkbox"/> Reviewed as Noted	
<input type="checkbox"/> Revise and Resubmit	Fabrication and/or Installation MAY NOT be undertaken. In resubmitting limit corrections to items marked.
<input type="checkbox"/> Rejected	
Reviewed neither extends nor alters any contractual obligations of the Architect or Contractor.	
 312 Plum Street Suite 700 Cincinnati, OH 45202	
By: Hunter Gregory	Date: 10/23/2024

STARCO, Inc.



Submittal Review

PO BOX 170160 • DAYTON OH 45417-0160 • PHONE 937/461-2422 • FAX 937/461-2922

STARCO, INC. JOB No. 202426
SUBMITTAL NUMBER: 9A
Project: Dayton STEM School
PROJECT I.D.
PRODUCT DESCRIPTION: Revised Air Terminal Units – Single Duct Product Data Shop Drawings Delegated Design Submittals
SPEC SECTION: 23 36 00 - 1.3A, 1.3B & 1.3C
SPEC PAGE: All
SPEC PARAGRAPH: All
DATE: 10-7-24
Reviewed By: Allen Cruze

**Starco Inc. certifies
the specifications
have been read,
complied with and
has been checked
by Allen Cruze**



LETTER OF TRANSMITTAL

SHP
312 Plum Street, Suite 700
Cincinnati, OH 45202

Phone: 513-381-2112
Fax: 513-381-5121
eMail: cbragg@shp.com

TO: Marcus Pickworth
 COMPANY: Shook Construction
 2000 W. Dorothy Lane
 Moraine, OH 45439

FROM: Caitlyn Bragg
 RE: Dayton Regional STEM New
 Elementary School (K-5)

DATE: 10/3/2024
 COMM NO.: 2024026.01

We are Sending You the Following Items Attached Under a Separate Cover VIA _____

- Copy of Letter Prints Specifications
- Shop Drawings Change Order Pay Application
- Plans Samples Other..

COPIES	DIV. NO.	DESCRIPTION
1	233600-26	Air Terminal Units (PD, SD, DD)

THESE ARE TRANSMITTED as checked below

- For Approval Reviewed as Submitted Resubmit ~~~~~ copies for approval
- For Your Use Reviewed as Noted Submit ~~~~~ copies for approval
- For Review & Comments Returned for Corrections Return ~~~~~ corrected prints

REMARKS

“Revise and Resubmit”

.....

Thanks,

Caitlyn

.....

.....

.....

IF ENCLOSURES ARE NOT AS NOTED, PLEASE NOTIFY SIGNEE

COPIED TO

.....

.....

.....

Caitlyn Bragg

SIGNED _____


Caitlyn Bragg
Construction Administrator

Built-in cover page



26-0:Air Terminal Units - Single Duct - Product Data, Shop Drawings, & Delegated Design Submittals

Status	Open Submitted
Spec section	233600 Air Terminal Units - Single Duct
Manager	Caitlin Erbacher (Shook Construction)
Responsible contractor	Caitlin Erbacher (Shook Construction)
Reviewers step 01	Kate Bartolovich (SHP) Brock Rossel (SHP)

<input type="checkbox"/> Reviewed	Fabrication/Installation may be undertaken. Reviewed does not authorize changes to the Contract Sum or Contract Time.
<input type="checkbox"/> Reviewed as Noted	
<input checked="" type="checkbox"/> Revise and Resubmit	Fabrication and/or Installation MAY NOT be undertaken. In resubmitting limit corrections to items marked.
<input type="checkbox"/> Rejected	
Reviewed neither extends nor alters any contractual obligations of the Architect or Contractor.	
 SHP 312 Plum Street Suite 700 Cincinnati, OH 45202	
By: Hunter Gregory	Date: 10/3/2024

HJG (SHP) - 01/03/2024

Leaving air temperatures for all units needs to be at least 85deg.



Terminals Submittals

Job Name: Dayton Regional STEM K-5 Bldg
Date Printed: 10/4/2024
Spec Section: 23 - HVAC

Contact: Kyle Dullaghan
3930 VIRGINIA AVE
CINCINNATI, OH 45227

Phone: 513-332-2082
Email: kdullaghan@eapnet.com



All-In-One
 Detailed Submittal Schedule
 Terminals

Qty	Model	Tag	Unit Size	Dis. W (in)	Dis. H (in)	Max Primary (CFM)	Min Primary (CFM)	Reheat (CFM)	Inlet SP (in. w.g.)	Min Oper PD (in. w.g.)	EAT (°F)	LAT (°F)	EC Capacity (kW)	Steps	Volts	Coil Amps	MCA	MOP	Max Dis NC	Max Rad NC	Terminal Liner	Weight (lbs)
1	SDV	VV-1	8	12.00	10.00	740	222	370	1.00	0.01	55.00	85.70	3.60	SCR	277-1	13	17.70	20.00	26 (2)	21 (2)	FF1	42
1	SDV	VV-2	12	16.00	15.00	1840	552	920	1.00	0.01	55.00	85.90	9.00	SCR	480-3	10.83	14.80	15.00	23 (3)	23 (4)	FF1	59
1	SDV	VV-3	8	12.00	10.00	670	201	460	1.00	0.01	55.00	85.90	4.50	SCR	277-1	16.25	22.10	25.00	28 (2)	20 (2)	FF1	42
1	SDV	VV-4	10	14.00	12.50	895	269	448	1.00	0.01	55.00	86.70	4.50	SCR	277-1	16.25	22.10	25.00	21 (2)	--	FF1	50
1	SDV	VV-5	8	12.00	10.00	620	186	310	1.00	0.01	55.00	85.60	3.00	SCR	277-1	10.83	14.80	15.00	26 (2)	--	FF1	42
1	SDV	VV-6	8	12.00	10.00	770	231	385	1.00	0.01	55.00	87.80	4.00	SCR	277-1	14.44	19.70	20.00	26 (2)	22 (2)	FF1	42
1	SDV	VV-7	4	12.00	8.00	400	120	247	1.00	0.01	55.00	87.00	2.50	SCR	277-1	9.03	12.30	15.00	46 (3)	36 (2)	FF1	39
1	SDV	VV-8	4	12.00	8.00	230	69	205	1.00	0.01	55.00	85.80	2.00	SCR	277-1	7.22	9.80	15.00	38 (2)	26 (2)	FF1	39
1	SDV	VV-9	10	14.00	12.50	1115	335	558	1.00	0.01	55.00	86.10	5.50	SCR	277-1	19.86	27.10	30.00	24 (2)	20 (2)	FF1	50
1	SDV	VV-10	8	12.00	10.00	940	282	470	1.00	0.01	55.00	85.30	4.50	SCR	277-1	16.25	22.10	25.00	29 (2)	25 (2)	FF1	42
1	SDV	VV-11	4	12.00	8.00	70	21	70	1.00	0.01	55.00	86.60	0.70	SCR	277-1	2.53	3.40	15.00	--	--	FF1	39
1	SDV	VV-12	8	12.00	10.00	720	216	360	1.00	0.01	55.00	85.70	3.50	SCR	277-1	12.64	17.20	20.00	26 (2)	21 (2)	FF1	42
1	SDV	VV-13	4	12.00	8.00	70	15	70	1.00	0.01	55.00	86.60	0.70	SCR	277-1	2.53	3.40	15.00	--	--	FF1	39
1	SDV	VV-14	6	12.00	8.00	510	153	255	1.00	0.23	55.00	86.00	2.50	SCR	277-1	9.03	12.30	15.00	33 (3)	26 (3)	FF1	38
1	SDV	VV-15	8	12.00	10.00	770	231	385	1.00	0.01	55.00	87.80	4.00	SCR	277-1	14.44	19.70	20.00	26 (2)	22 (2)	FF1	42
1	SDV	VV-16	8	12.00	10.00	720	216	360	1.00	0.01	55.00	85.70	3.50	SCR	277-1	12.64	17.20	20.00	26 (2)	21 (2)	FF1	42
1	SDV	VV-17	4	12.00	8.00	70	21	70	1.00	0.01	55.00	86.60	0.70	SCR	277-1	2.53	3.40	15.00	--	--	FF1	39
1	SDV	VV-18	8	12.00	10.00	800	240	480	1.00	0.01	55.00	87.90	5.00	SCR	277-1	18.05	24.60	25.00	28 (2)	22 (2)	FF1	42
1	SDV	VV-19	4	12.00	8.00	180	54	90	1.00	0.01	55.00	90.10	1.00	SCR	277-1	3.61	4.90	15.00	33 (2)	22 (2)	FF1	39
1	SDV	VV-20	14	20.00	17.50	2160	648	1080	1.00	0.01	55.00	85.70	10.50	SCR	480-3	12.63	17.20	20.00	--	21 (4)	FF1	71
1	SDV	VV-26	8	12.00	10.00	720	216	360	1.00	0.01	55.00	85.70	3.50	SCR	277-1	12.64	17.20	20.00	26 (2)	21 (2)	FF1	42
1	SDV	VV-21	8	12.00	10.00	720	216	360	1.00	0.01	55.00	85.70	3.50	SCR	277-1	12.64	17.20	20.00	26 (2)	21 (2)	FF1	42
1	SDV	VV-22	4	12.00	8.00	180	54	90	1.00	0.01	55.00	90.10	1.00	SCR	277-1	3.61	4.90	15.00	33 (2)	22 (2)	FF1	39
1	SDV	VV-23	8	12.00	10.00	720	216	360	1.00	0.01	55.00	85.70	3.50	SCR	277-1	12.64	17.20	20.00	26 (2)	21 (2)	FF1	42
1	SDV	VV-24	8	12.00	10.00	800	240	485	1.00	0.01	55.00	87.60	5.00	SCR	277-1	18.05	24.60	25.00	28 (2)	22 (2)	FF1	42
1	SDV	VV-25	14	20.00	17.50	2340	702	1245	1.00	0.01	55.00	85.50	12.00	SCR	480-3	14.43	19.70	20.00	--	22 (4)	FF1	71
1	SDV	VV-27	8	12.00	10.00	920	276	460	1.00	0.01	55.00	85.90	4.50	SCR	277-1	16.25	22.10	25.00	29 (2)	25 (2)	FF1	42
1	SDV	VV-28	4	12.00	8.00	125	38	118	1.00	0.01	55.00	95.20	1.50	SCR	277-1	5.42	7.40	15.00	25 (2)	--	FF1	39
1	SDV	VV-29	4	12.00	8.00	240	72	202	1.00	0.01	55.00	86.30	2.00	SCR	277-1	7.22	9.80	15.00	38 (2)	28 (2)	FF1	39
1	SDV	VV-30	12	16.00	15.00	1345	404	673	1.00	0.01	55.00	85.50	6.50	SCR	480-3	7.82	10.70	15.00	20 (3)	20 (4)	FF1	59
1	SDV	VV-31	8	12.00	10.00	760	228	380	1.00	0.01	55.00	88.30	4.00	SCR	277-1	14.44	19.70	20.00	26 (2)	22 (2)	FF1	42
1	SDV	VV-32	4	12.00	8.00	200	60	100	1.00	0.01	55.00	86.60	1.00	SCR	277-1	3.61	4.90	15.00	34 (2)	24 (2)	FF1	39
1	SDV	VV-33	4	12.00	8.00	100	30	50	1.00	0.01	55.00	86.60	0.50	SCR	277-1	1.81	2.50	15.00	20 (2)	--	FF1	39
1	SDV	VV-34	4	12.00	8.00	190	57	95	1.00	0.01	55.00	88.30	1.00	SCR	277-1	3.61	4.90	15.00	34 (2)	24 (2)	FF1	39
1	SDV	VV-35	4	12.00	8.00	70	18	70	1.00	0.01	55.00	86.60	0.70	SCR	277-1	2.53	3.40	15.00	--	--	FF1	39
1	SDV	VV-36	6	12.00	8.00	480	144	240	1.00	0.21	55.00	87.90	2.50	SCR	277-1	9.03	12.30	15.00	33 (2)	25 (2)	FF1	38
1	SDV	VV-37	8	12.00	10.00	770	231	385	1.00	0.01	55.00	87.80	4.00	SCR	277-1	14.44	19.70	20.00	26 (2)	22 (2)	FF1	42
1	SDV	VV-38	8	12.00	10.00	720	216	360	1.00	0.01	55.00	85.70	3.50	SCR	277-1	12.64	17.20	20.00	26 (2)	21 (2)	FF1	42
1	SDV	VV-39	8	12.00	10.00	800	240	480	1.00	0.01	55.00	87.90	5.00	SCR	277-1	18.05	24.60	25.00	28 (2)	22 (2)	FF1	42
1	SDV	VV-40	4	12.00	8.00	100	30	50	1.00	0.01	55.00	86.60	0.50	SCR	277-1	1.81	2.50	15.00	20 (2)	--	FF1	39
1	SDV	VV-41	4	12.00	8.00	300	90	150	1.00	0.01	55.00	86.60	1.50	SCR	277-1	5.42	7.40	15.00	40 (3)	31 (2)	FF1	39
1	SDV	VV-42	14	20.00	17.50	2160	648	1080	1.00	0.01	55.00	85.70	10.50	SCR	480-3	12.63	17.20	20.00	--	21 (4)	FF1	71
1	SDV	VV-43	8	12.00	10.00	720	216	360	1.00	0.01	55.00	85.70	3.50	SCR	277-1	12.64	17.20	20.00	26 (2)	21 (2)	FF1	42
1	SDV	VV-44	4	12.00	8.00	200	60	100	1.00	0.01	55.00	86.60	1.00	SCR	277-1	3.61	4.90	15.00	34 (2)	24 (2)	FF1	39
1	SDV	VV-45	8	12.00	10.00	720	216	360	1.00	0.01	55.00	85.70	3.50	SCR	277-1	12.64	17.20	20.00	26 (2)	21 (2)	FF1	42
1	SDV	VV-46	8	12.00	10.00	800	240	485	1.00	0.01	55.00	87.60	5.00	SCR	277-1	18.05	24.60	25.00	28 (2)	22 (2)	FF1	42
1	SDV	VV-47	4	12.00	8.00	285	86	143	1.00	0.01	55.00	88.10	1.50	SCR	277-1	5.42	7.40	15.00	42 (2)	30 (2)	FF1	39
1	SDV	VV-48	5	12.00	8.00	400	120	363	1.00	0.01	55.00	85.50	3.50	SCR	277-1	12.64	17.20	20.00	36 (2)	29 (2)	FF1	39
1	SDV	VV-49	4	12.00	8.00	225	68	113	1.00	0.01	55.00	96.90	1.50	SCR	277-1	5.42	7.40	15.00	36 (2)	26 (2)	FF1	39
1	SDV	VV-50	4	12.00	8.00	225	68	113	1.00	0.01	55.00	96.90	1.50	SCR	277-1	5.42	7.40	15.00	36 (2)	26 (2)	FF1	39
1	SDV	VV-51	4	12.00	8.00	205	62	103	1.00	0.01	55.00	85.70	1.00	SCR	277-1	3.61	4.90	15.00	35 (2)	25 (2)	FF1	39
1	SDV	VV-52	4	12.00	8.00	200	60	100	1.00	0.01	55.00	86.60	1.00	SCR	277-1	3.61	4.90	15.00	34 (2)	24 (2)	FF1	39
1	SDV	VV-53	6	12.00	8.00	300	90	255	1.00	0.08	55.00	86.00	2.50	SCR	277-1	9.03	12.30	15.00	26 (2)	--	FF1	38
1	SDV	VV-54	4	12.00	8.00	350	105	175	1.00	0.01	55.00	91.10	2.00	SCR	277-1	7.22	9.80	15.00	44 (3)	34 (2)	FF1	39
1	SDV	VV-55	8	12.00	10.00	720	216	360	1.00	0.01	55.00	85.70	3.50	SCR	277-1	12.64	17.20	20.00	26 (2)	21 (2)	FF1	42

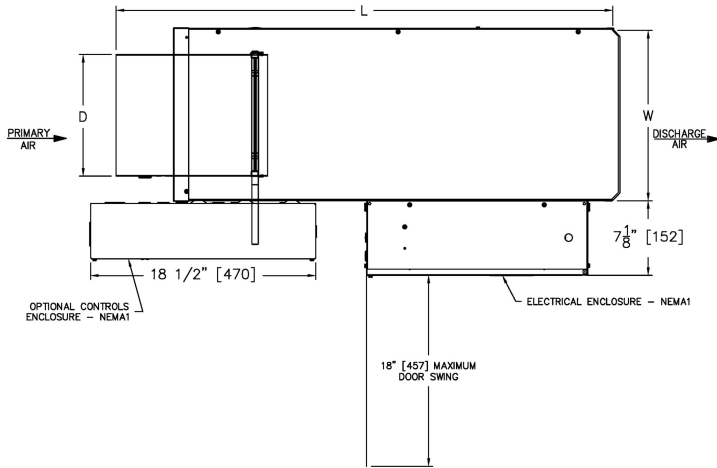


Performance Notes

Date Printed: 10/4/2024

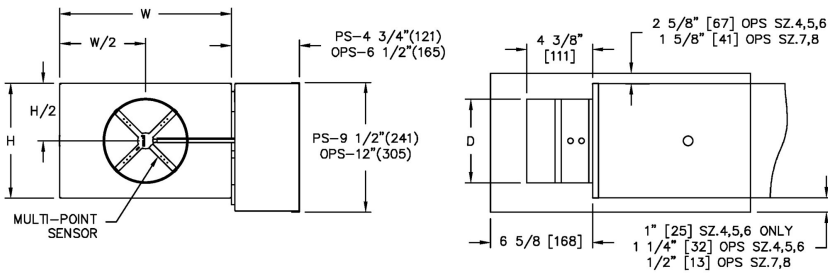
1. Dashes (--) indicate NC values less than 20.
2. NC values are calculated based on procedures outlined in AHRI Standard 885-2008, "A Procedure for Estimating Occupied Space Sound Levels in the Application of Air Terminals and Air Outlets."
3. Sound power levels are given in decibels (dB).
4. Dashes (--) indicate sound power levels below 36-29-26-22-19-17 for each octave band; values below these sound power levels are considered below significance per AHRI 880.
5. Minimum operating pressure is the minimum static pressure required to operate the terminal item assembly at maximum primary flow with a wide open damper.
6. Airflow is given in cubic feet per minute (cfm).
7. Air pressure drop is given in inches water gauge (in. w.g.), and water pressure drop is given in feet of water gauge (ft. w.g.).
8. NC values are derived from sound power levels obtained in accordance with ASHRAE Standard 130-2016 and AHRI Standard 880-2017, which include duct end reflection corrections.

SDV Single Duct w/ Electric Coil



Unit Size	Casing Size	Inlet	Casing		Length
		D	W	H	L
8	8	7 7/8	12	10	40 3/16

Controls Type



- Multi-point, center averaging airflow sensor.
- Controls enclosure will be supplied as illustrated on right hand side.
- Controls are supplied by controls contractor and field installed.
- PS - NEMA 1 controls enclosure included.
- Standard NEMA 1 controls enclosure mounting position.
- Pressure independent

PROJECT: Dayton Regional STEM K-5 Bldg

SUBMITTAL NO: 275707

SUBMITTAL DATE: 10/4/2024

ENGINEER:

CUSTOMER:

DESCRIPTION: Single Duct Variable Volume

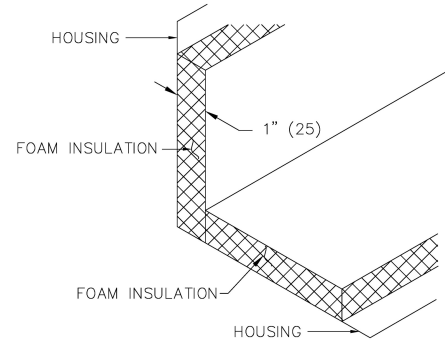
SDV-2-1//1/8/CRH/SP300/FLD/FF1//CFM/22GA/PS/STD//EC//0.00//277-1/SCR/3.6,4.5,3.0,4.0,3.5,5.0/SCR-109/SCRV//IDSW//222,201,186,231,282,216,240,276,228/740,670,620,770,940,720,800,920,760/0/0/370,460,310,385,470,360,480,485,380/ADQ/4x6//2000

Notes

- 22 Gauge zinc coated steel housing with 20 gauge electric coil. Mechanically sealed, leak resistant construction.
- Rectangular discharge opening with slip and drive cleat duct connection.
- Assembly ETL certified to UL1996 & CSA236.
- Units not to be used for temporary heat or ventilation during construction.
- ADQ - Bottom access door with quarter turn sash latches.
- Minimum air volume is zero (shut-off).
- Damper blade constructed of two layers of galvanized steel with a sandwiched peripheral gasket.
- 1/2" (13) diameter zinc coated damper shaft with position indicator.
- Heater section is not insulated.

Insulation: FF1

- Internal Insulation - Fiber Free Foam 1" (25mm) thick, 1.5 lb/cu.ft density, meets requirements of NFPA90A and UL 181.
- R-Value=4

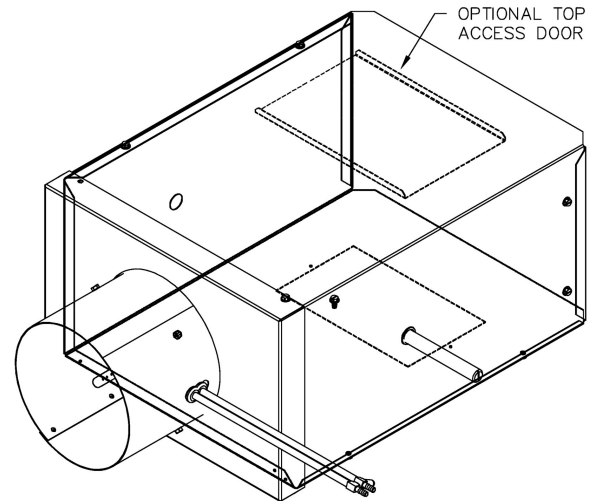
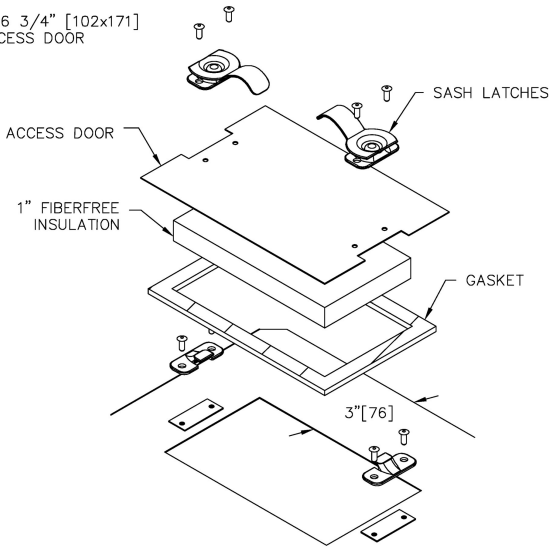


Access Door

ADQ

Insulated Access Door c/w Quarter Turn Latches

4"x6 3/4" [102x171] ACCESS DOOR



PROJECT: Dayton Regional STEM K-5 Bldg

ENGINEER:

DESCRIPTION: Single Duct Variable Volume

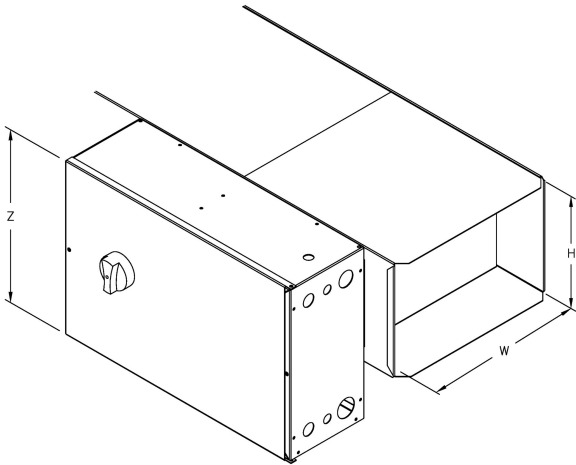
SDV-2-1///8/CRH/SP300/FLD/FF1/////CFM/22GA/PS/STD//EC/////0.00/////277-1/SCR/3.6,4.5,3.0,4.0,3.5,5.0/SCR-109/SCRV////IDSW//222,201,186,231,282,216,240,276,228/740,670,620,770,940,720,800,920,760/0/0/370,460,310,385,470,360,480,485,380/ADQ/4x6/////2000

SUBMITTAL NO: 275707

CUSTOMER:

SUBMITTAL DATE: 10/4/2024

Electric Coil



Electric Coil Notes

- Supply Voltage: 277/1Ø
- Automatic / manual reset thermal cutout.
- Low watt density elements, high grade nickel-chrome alloy.
- Air flow switch included.
- Hinged access door included.
- Refer to submitted control diagrams for standard control components to be supplied.
- Magnetic contactors included.
- 24 VAC / 50 VA Class 2 Transformer included.
- IDSW - Door interlock disconnect switch included.
- SCR - 0 to 10 VDC control signal included.
- Bottom access door provides warning label.
- DAT - Discharge air temperature control included.

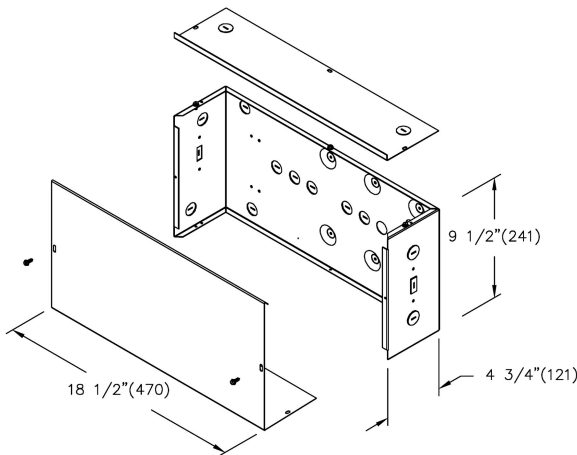
Electrical Configuration

EC Type: SCR
 EC SCR Type: SCR-109



Unit Size	W	H	Z
8	12	10	12

Protective Shroud



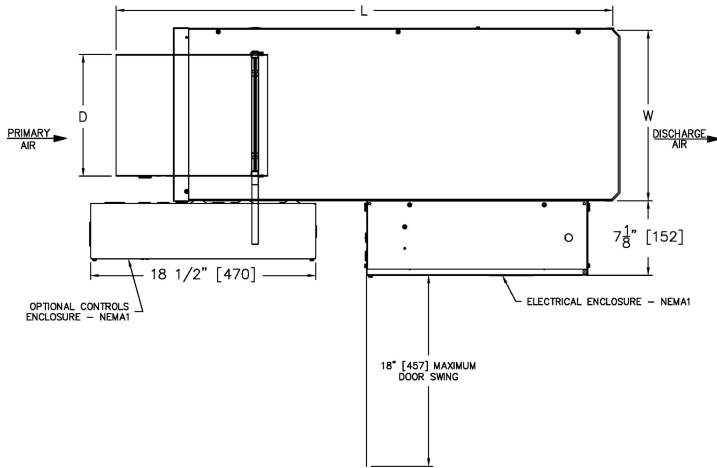
PROJECT: Dayton Regional STEM K-5 Bldg
ENGINEER:
DESCRIPTION: Single Duct Variable Volume

SUBMITTAL NO: 275707
CUSTOMER:

SUBMITTAL DATE: 10/4/2024

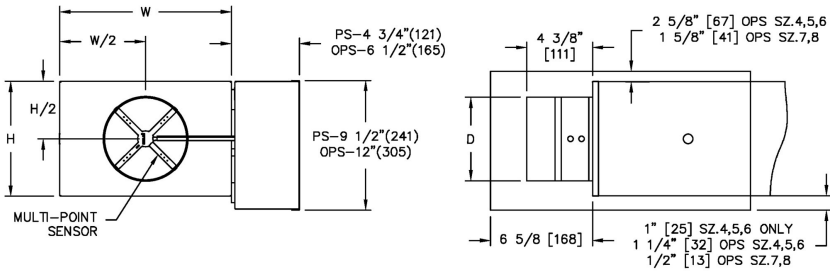
SDV-2-1//1/8/CRH/SP300/FLD/FF1////CFM/22GA/PS/STD//EC////////0.00//////////277-1/SCR/3.6,4.5,3.0,4.0,3.5,5.0/SCR-109/SCRV////IDSW//222,201,186,231,282,216,240,276,228/740,670,620,770,940,720,800,920,760/0/0/370,460,310,385,470,360,480,485,380/ADQ/4x6//////////2000

SDV Single Duct w/ Electric Coil



Unit Size	Casing Size	Inlet	Casing		Length
		D	W	H	L
12	12	11 7/8	16	15	40 3/16

Controls Type



- Multi-point, center averaging airflow sensor.
- Controls enclosure will be supplied as illustrated on right hand side.
- Controls are supplied by controls contractor and field installed.
- PS - NEMA 1 controls enclosure included.
- Standard NEMA 1 controls enclosure mounting position.
- Pressure independent

PROJECT: Dayton Regional STEM K-5 Bldg

ENGINEER:

DESCRIPTION: Single Duct Variable Volume

SDV-2-1//12/CRH/SP300/FLD/FF1/////CFM/22GA/PS/STD//EC/////0.00/////480-3/SCR/9.0/SCR-108/SCRV/////IDSW//552/1840/0/0/920/ADQ/4x6/////2000

SUBMITTAL NO: 275707

CUSTOMER:

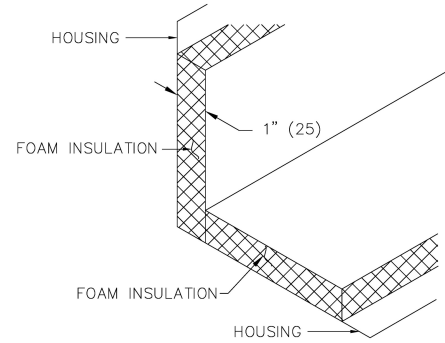
SUBMITTAL DATE: 10/4/2024

Notes

- 22 Gauge zinc coated steel housing with 20 gauge electric coil. Mechanically sealed, leak resistant construction.
- Rectangular discharge opening with slip and drive cleat duct connection.
- Assembly ETL certified to UL1996 & CSA236.
- Units not to be used for temporary heat or ventilation during construction.
- ADQ - Bottom access door with quarter turn sash latches.
- Minimum air volume is zero (shut-off).
- Damper blade constructed of two layers of galvanized steel with a sandwiched peripheral gasket.
- 1/2" (13) diameter zinc coated damper shaft with position indicator.
- Heater section is not insulated.

Insulation: FF1

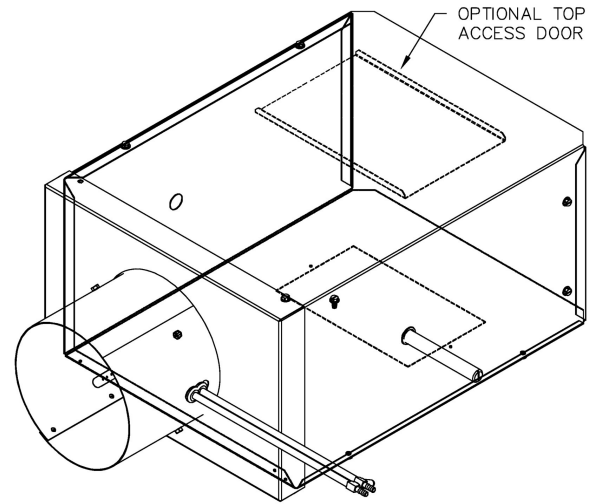
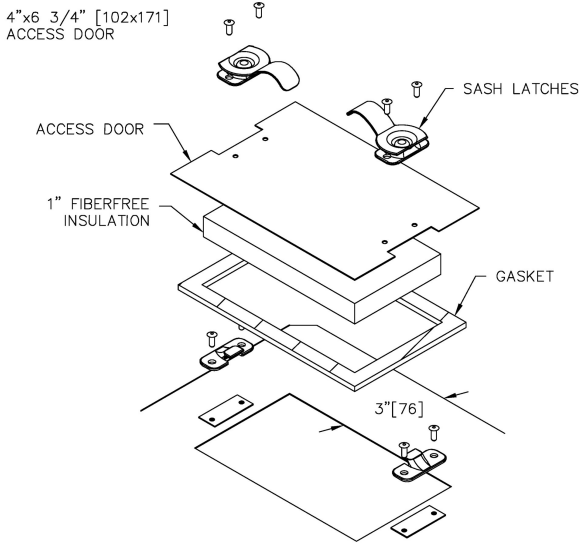
- Internal Insulation - Fiber Free Foam 1" (25mm) thick, 1.5 lb/cu.ft density, meets requirements of NFPA90A and UL 181.
- R-Value=4



Access Door

ADQ

Insulated Access Door c/w Quarter Turn Latches

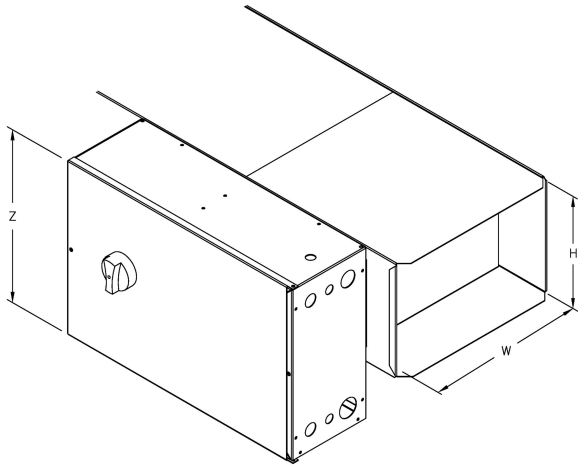


PROJECT: Dayton Regional STEM K-5 Bldg
ENGINEER:
DESCRIPTION: Single Duct Variable Volume
 SDV-2-1//12/CRH/SP300/FLD/FF1/////CFM/22GA/PS/STD//EC/////0.00/////480-3/SCR/9.0/SCR-108/SCRV/////IDSW//552/1840/0/0/920/ADQ/4
 x6/////2000

SUBMITTAL NO: 275707
CUSTOMER:

SUBMITTAL DATE: 10/4/2024

Electric Coil



Electric Coil Notes

- Supply Voltage: 480/3Ø (3 Wire)
- Automatic / manual reset thermal cutout.
- Low watt density elements, high grade nickel-chrome alloy.
- Air flow switch included.
- Hinged access door included.
- Refer to submitted control diagrams for standard control components to be supplied.
- Magnetic contactors included.
- 24 VAC / 50 VA Class 2 Transformer included.
- IDSW - Door interlock disconnect switch included.
- SCR - 0 to 10 VDC control signal included.
- Bottom access door provides warning label.
- DAT - Discharge air temperature control included.

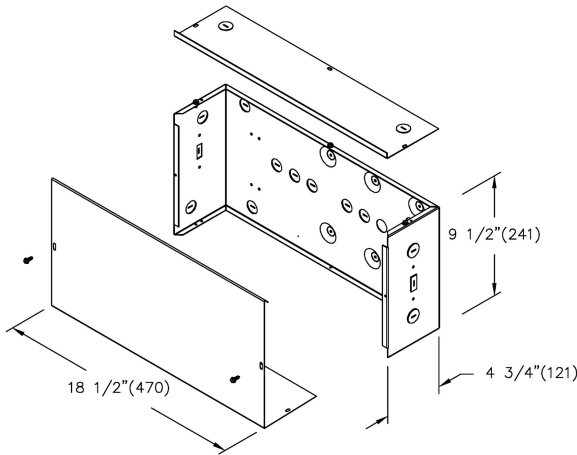
Electrical Configuration

EC Type: SCR
 EC SCR Type: SCR-108



Unit Size	W	H	Z
12	16	15	17

Protective Shroud



PROJECT: Dayton Regional STEM K-5 Bldg

ENGINEER:

DESCRIPTION: Single Duct Variable Volume

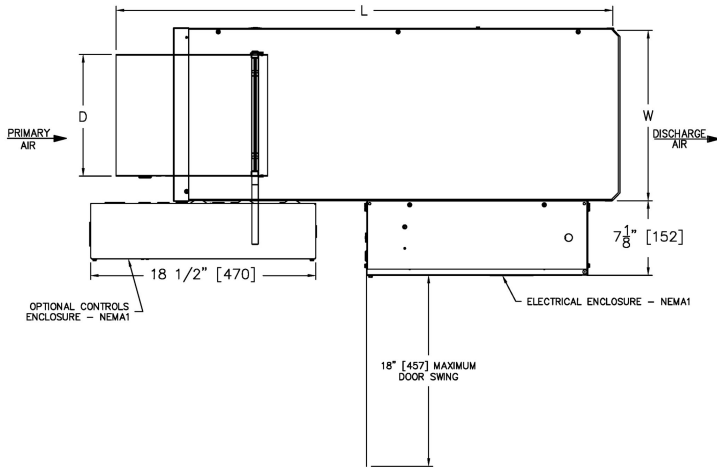
SDV-2-1//12/CRH/SP300/FLD/FF1/////CFM/22GA/PS/STD//EC/////0.00/////480-3/SCR/9.0/SCR-108/SCRV/////IDSW//552/1840/0/0/920/ADQ/4x6/////2000

SUBMITTAL NO: 275707

CUSTOMER:

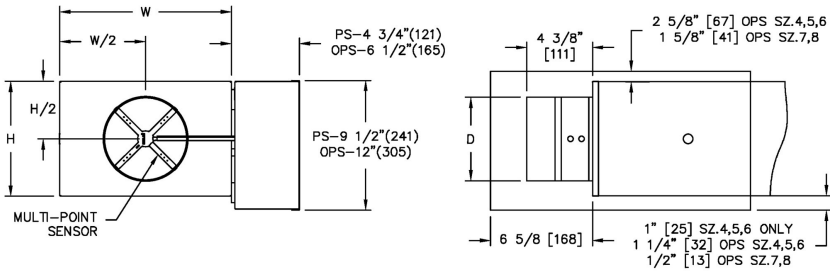
SUBMITTAL DATE: 10/4/2024

SDV Single Duct w/ Electric Coil



Unit Size	Casing Size	Inlet	Casing		Length
		D	W	H	L
10	10	9 7/8	14	12 1/2	40 3/16

Controls Type



- Multi-point, center averaging airflow sensor.
- Controls enclosure will be supplied as illustrated on right hand side.
- Controls are supplied by controls contractor and field installed.
- PS - NEMA 1 controls enclosure included.
- Standard NEMA 1 controls enclosure mounting position.
- Pressure independent

PROJECT: Dayton Regional STEM K-5 Bldg

ENGINEER:

DESCRIPTION: Single Duct Variable Volume

SDV-2-1//10/CRH/SP300/FLD/FF1/////CFM/22GA/PS/STD//EC/////0.00/////277-1/SCR/4.5,5.5/SCR-109/SCRV//IDSW//269,335/895,1115/0/0/448,558/ADQ/4x6/////2000

SUBMITTAL NO: 275707

CUSTOMER:

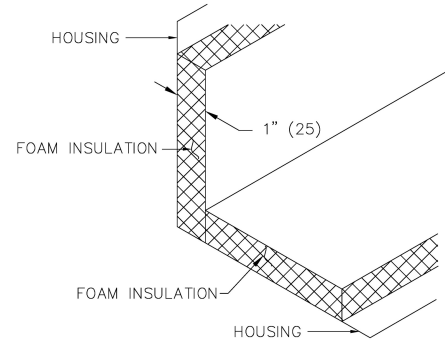
SUBMITTAL DATE: 10/4/2024

Notes

- 22 Gauge zinc coated steel housing with 20 gauge electric coil. Mechanically sealed, leak resistant construction.
- Rectangular discharge opening with slip and drive cleat duct connection.
- Assembly ETL certified to UL1996 & CSA236.
- Units not to be used for temporary heat or ventilation during construction.
- ADQ - Bottom access door with quarter turn sash latches.
- Minimum air volume is zero (shut-off).
- Damper blade constructed of two layers of galvanized steel with a sandwiched peripheral gasket.
- 1/2" (13) diameter zinc coated damper shaft with position indicator.
- Heater section is not insulated.

Insulation: FF1

- Internal Insulation - Fiber Free Foam 1" (25mm) thick, 1.5 lb/cu.ft density, meets requirements of NFPA90A and UL 181.
- R-Value=4

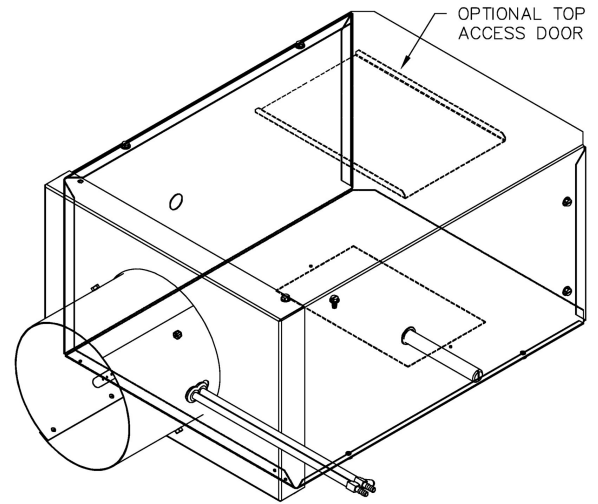
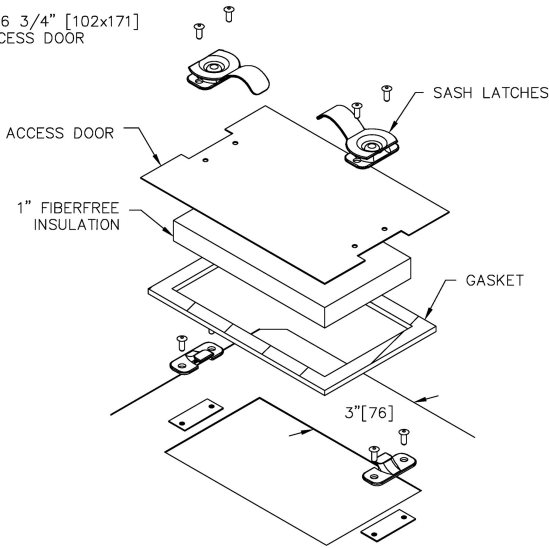


Access Door

ADQ

Insulated Access Door c/w Quarter Turn Latches

4"x6 3/4" [102x171]
ACCESS DOOR



PROJECT: Dayton Regional STEM K-5 Bldg

ENGINEER:

DESCRIPTION: Single Duct Variable Volume

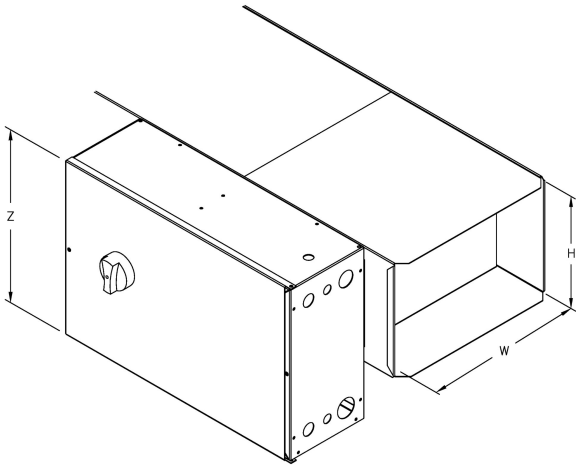
SDV-2-1//10/CRH/SP300/FLD/FF1//CFM/22GA/PS/STD//EC//0.00//277-1/SCR/4.5,5.5/SCR-109/SCRV//IDSW//269,335/895,1115/0/0/448,558/ADQ/4x6//2000

SUBMITTAL NO: 275707

CUSTOMER:

SUBMITTAL DATE: 10/4/2024

Electric Coil



Electric Coil Notes

- Supply Voltage: 277/1Ø
- Automatic / manual reset thermal cutout.
- Low watt density elements, high grade nickel-chrome alloy.
- Air flow switch included.
- Hinged access door included.
- Refer to submitted control diagrams for standard control components to be supplied.
- Magnetic contactors included.
- 24 VAC / 50 VA Class 2 Transformer included.
- IDSW - Door interlock disconnect switch included.
- SCR - 0 to 10 VDC control signal included.
- Bottom access door provides warning label.
- DAT - Discharge air temperature control included.

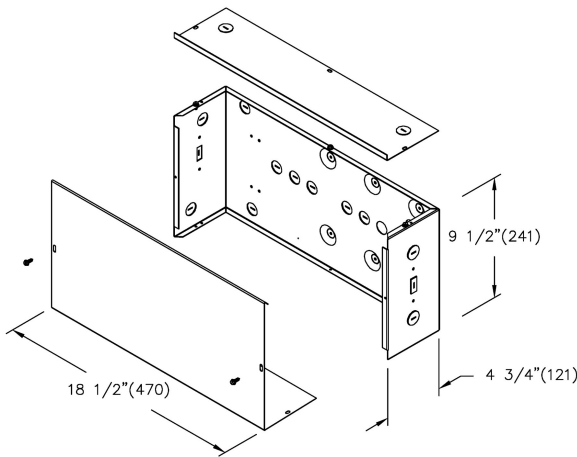
Electrical Configuration

EC Type: SCR
EC SCR Type: SCR-109



Unit Size	W	H	Z
10	14	12 1/2	12

Protective Shroud



PROJECT: Dayton Regional STEM K-5 Bldg

ENGINEER:

DESCRIPTION: Single Duct Variable Volume

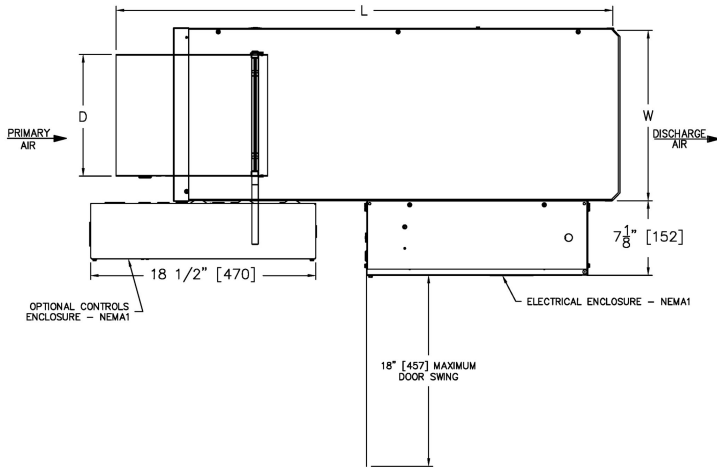
SDV-2-1//10/CRH/SP300/FLD/FF1/////CFM/22GA/PS/STD//EC////////0.00//////////277-1/SCR/4.5,5.5/SCR-109/SCRV/////IDSW//269,335/895,1115/0/0/448,558/ADQ/4x6//////////2000

SUBMITTAL NO: 275707

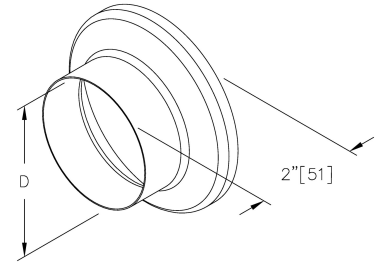
CUSTOMER:

SUBMITTAL DATE: 10/4/2024

SDV Single Duct w/ Electric Coil



Inlet Diameter Reducer Detail

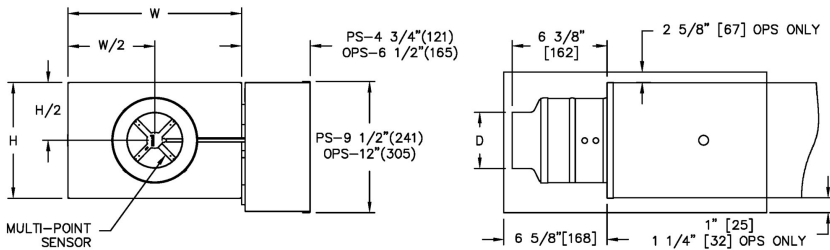


Size 4 and 5 have a 6" diameter duct with inlet reducer as shown

Inlet Reducer Dimensions	
Unit Size	D
4	3 7/8

Unit Size	Casing Size	Inlet	Casing		Length
		D	W	H	L
4	6	3 7/8	12	8	42 3/16

Controls Type



- Multi-point, center averaging airflow sensor.
- Controls enclosure will be supplied as illustrated on right hand side.
- Controls are supplied by controls contractor and field installed.
- PS - NEMA 1 controls enclosure included.
- Standard NEMA 1 controls enclosure mounting position.
- Pressure independent

PROJECT: Dayton Regional STEM K-5 Bldg

SUBMITTAL NO: 275707

SUBMITTAL DATE: 10/4/2024

ENGINEER:

CUSTOMER:

DESCRIPTION: Single Duct Variable Volume

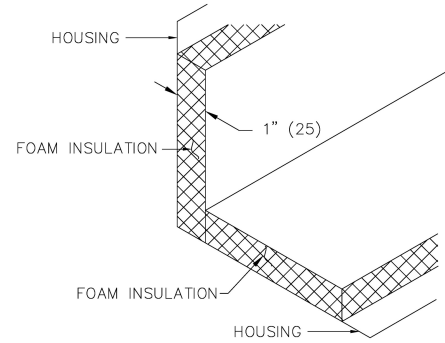
SDV-2-1//1/4/CRH/SP300/FLD/FF1//CFM/22GA/PS/STD//EC//0.00//277-1/SCR/2.5,2.0,0.7,1.0,1.5,0.5/SCR-111/SCRV//IDSW//120,69,21,15,54,38,72,60,30,57,18,90,86,68,62,105/400,230,70,180,125,240,200,100,190,300,285,225,205,350/0/0/247,205,70,90,118,202,100,50,95,150,143,113,103,175/ADQ/4x6//2000

Notes

- 22 Gauge zinc coated steel housing with 20 gauge electric coil. Mechanically sealed, leak resistant construction.
- Rectangular discharge opening with slip and drive cleat duct connection.
- Assembly ETL certified to UL1996 & CSA236.
- Units not to be used for temporary heat or ventilation during construction.
- ADQ - Bottom access door with quarter turn sash latches.
- Minimum air volume is zero (shut-off).
- Damper blade constructed of two layers of galvanized steel with a sandwiched peripheral gasket.
- 1/2" (13) diameter zinc coated damper shaft with position indicator.
- Heater section is not insulated.

Insulation: FF1

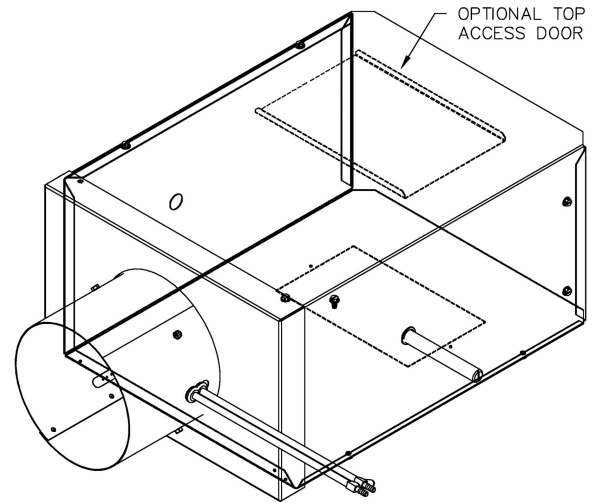
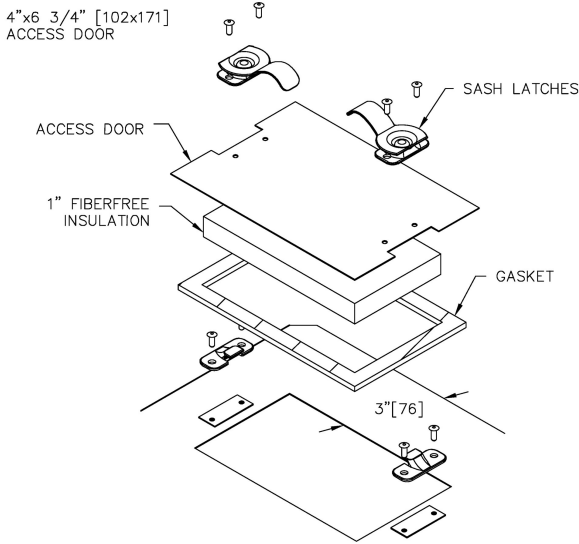
- Internal Insulation - Fiber Free Foam 1" (25mm) thick, 1.5 lb/cu.ft density, meets requirements of NFPA90A and UL 181.
- R-Value=4



Access Door

ADQ

Insulated Access Door c/w Quarter Turn Latches



PROJECT: Dayton Regional STEM K-5 Bldg

ENGINEER:

DESCRIPTION: Single Duct Variable Volume

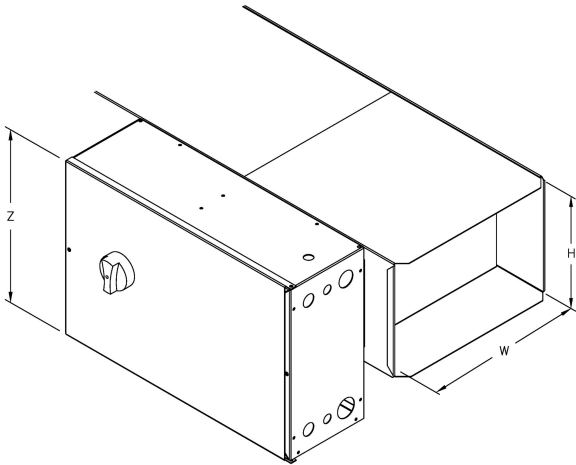
SDV-2-1///4/CRH/SP300/FLD/FF1/////CFM/22GA/PS/STD//EC/////0.00/////277-1/SCR/2.5,2.0,0.7,1.0,1.5,0.5/SCR-111/SCRV/////IDSW//120,69,21,15,54,38,72,60,30,57,18,90,86,68,62,105/400,230,70,180,125,240,200,100,190,300,285,225,205,350/0/0/247,205,70,90,118,202,100,50,95,150,143,113,103,175/ADQ/4x6/////2000

SUBMITTAL NO: 275707

CUSTOMER:

SUBMITTAL DATE: 10/4/2024

Electric Coil



Electric Coil Notes

- Supply Voltage: 277/1Ø
- Automatic / manual reset thermal cutout.
- Low watt density elements, high grade nickel-chrome alloy.
- Air flow switch included.
- Hinged access door included.
- Refer to submitted control diagrams for standard control components to be supplied.
- Magnetic contactors included.
- 24 VAC / 50 VA Class 2 Transformer included.
- IDSW - Door interlock disconnect switch included.
- SCR - 0 to 10 VDC control signal included.
- Bottom access door provides warning label.
- DAT - Discharge air temperature control included.

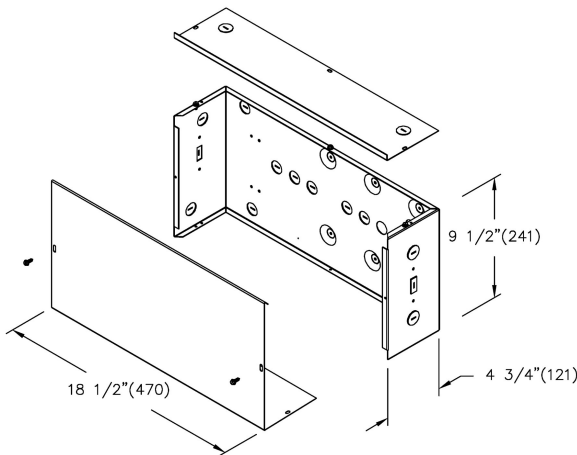
Electrical Configuration

EC Type: SCR
 EC SCR Type: SCR-111



Unit Size	W	H	Z
4	12	8	12

Protective Shroud



PROJECT: Dayton Regional STEM K-5 Bldg

ENGINEER:

DESCRIPTION: Single Duct Variable Volume

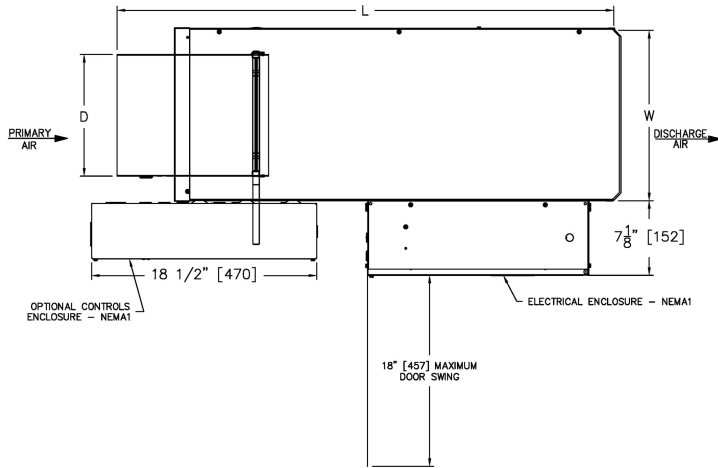
SDV-2-1//1/4/CRH/SP300/FLD/FF1//CFM/22GA/PS/STD//EC//0.00//277-1/SCR/2.5,2.0,0.7,1.0,1.5,0.5/SCR-111/SCRV//IDSW//120,69,21,15,54,38,72,60,30,57,18,90,86,68,62,105/400,230,70,180,125,240,200,100,190,300,285,225,205,350/0/0/247,205,70,90,118,202,100,50,95,150,143,113,103,175/ADQ/4x6//2000

SUBMITTAL NO: 275707

CUSTOMER:

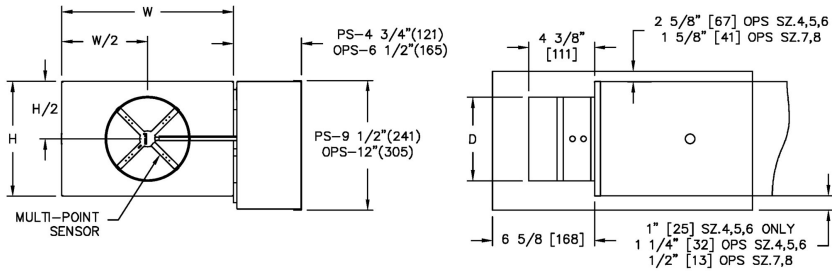
SUBMITTAL DATE: 10/4/2024

SDV Single Duct w/ Electric Coil



Unit Size	Casing Size	Inlet	Casing		Length
		D	W	H	L
6	6	5 7/8	12	8	40 3/16

Controls Type



- Multi-point, center averaging airflow sensor.
- Controls enclosure will be supplied as illustrated on right hand side.
- Controls are supplied by controls contractor and field installed.
- PS - NEMA 1 controls enclosure included.
- Standard NEMA 1 controls enclosure mounting position.
- Pressure independent

PROJECT: Dayton Regional STEM K-5 Bldg
ENGINEER:
DESCRIPTION: Single Duct Variable Volume
SDV-2-1//1/6/CRH/SP300/FLD/FF1////CFM/22GA/PS/STD//EC/////0.00/////277-1/SCR/2.5/SCR-111/SCRV////IDSW//153,144,90/510,480,300/0/0/255,240/ADQ/4x6/////2000

SUBMITTAL NO: 275707
CUSTOMER:

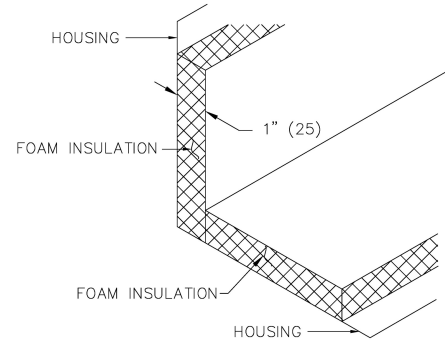
SUBMITTAL DATE: 10/4/2024

Notes

- 22 Gauge zinc coated steel housing with 20 gauge electric coil. Mechanically sealed, leak resistant construction.
- Rectangular discharge opening with slip and drive cleat duct connection.
- Assembly ETL certified to UL1996 & CSA236.
- Units not to be used for temporary heat or ventilation during construction.
- ADQ - Bottom access door with quarter turn sash latches.
- Minimum air volume is zero (shut-off).
- Damper blade constructed of two layers of galvanized steel with a sandwiched peripheral gasket.
- 1/2" (13) diameter zinc coated damper shaft with position indicator.
- Heater section is not insulated.

Insulation: FF1

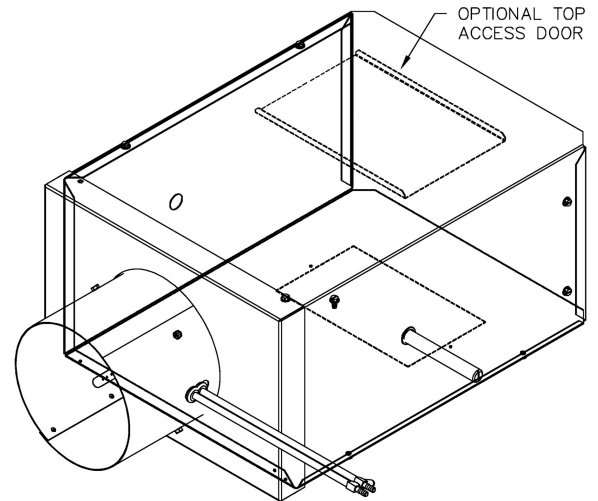
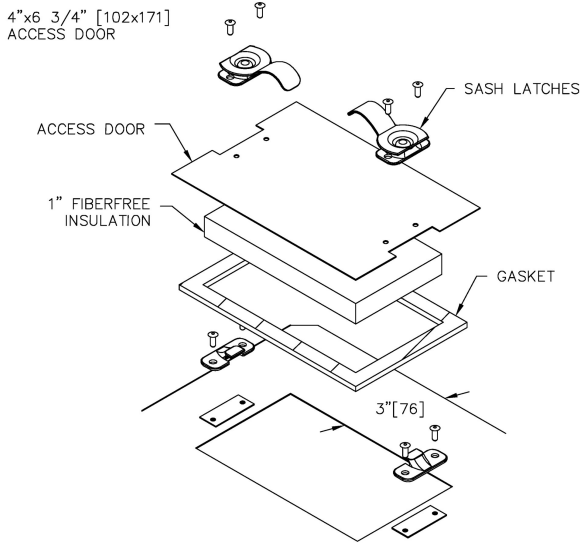
- Internal Insulation - Fiber Free Foam 1" (25mm) thick, 1.5 lb/cu.ft density, meets requirements of NFPA90A and UL 181.
- R-Value=4



Access Door

ADQ

Insulated Access Door c/w Quarter Turn Latches



PROJECT: Dayton Regional STEM K-5 Bldg

ENGINEER:

DESCRIPTION: Single Duct Variable Volume

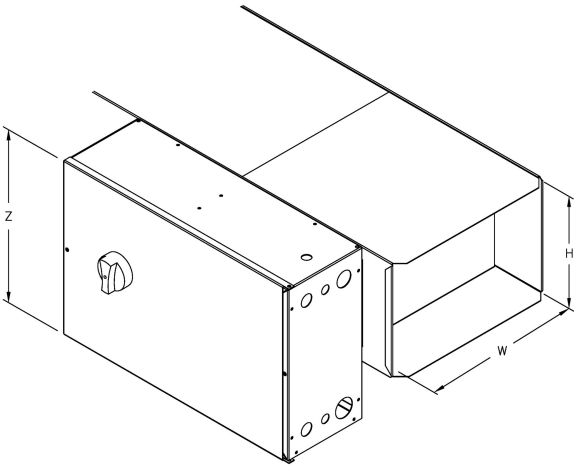
SDV-2-1//1/6/CRH/SP300/FLD/FF1/////CFM/22GA/PS/STD//EC/////0.00/////277-1/SCR/2.5/SCR-111/SCRV/////IDSW//153,144,90/510,480,300/0/0/255,240/ADQ/4x6/////2000

SUBMITTAL NO: 275707

CUSTOMER:

SUBMITTAL DATE: 10/4/2024

Electric Coil



Electric Coil Notes

- Supply Voltage: 277/1Ø
- Automatic / manual reset thermal cutout.
- Low watt density elements, high grade nickel-chrome alloy.
- Air flow switch included.
- Hinged access door included.
- Refer to submitted control diagrams for standard control components to be supplied.
- Magnetic contactors included.
- 24 VAC / 50 VA Class 2 Transformer included.
- IDSW - Door interlock disconnect switch included.
- SCR - 0 to 10 VDC control signal included.
- Bottom access door provides warning label.
- DAT - Discharge air temperature control included.

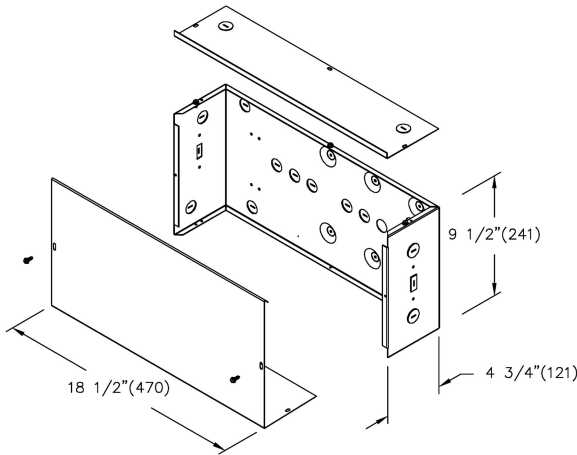
Electrical Configuration

EC Type: SCR
EC SCR Type: SCR-111



Unit Size	W	H	Z
6	12	8	12

Protective Shroud



PROJECT: Dayton Regional STEM K-5 Bldg

ENGINEER:

DESCRIPTION: Single Duct Variable Volume

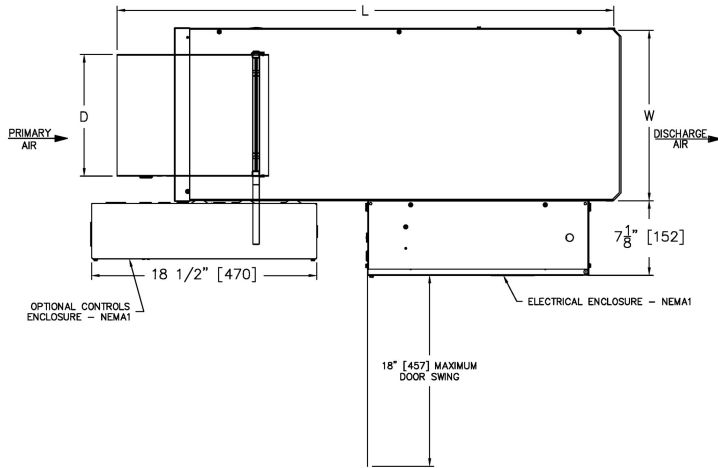
SDV-2-1//1/6/CRH/SP300/FLD/FF1////////CFM/22GA/PS/STD//EC////////0.00//////////277-1/SCR/2.5/SCR-111/SCRV////IDSW//153,144,90/510,480,300/0/0/255,240/ADQ/4x6//////////2000

SUBMITTAL NO: 275707

CUSTOMER:

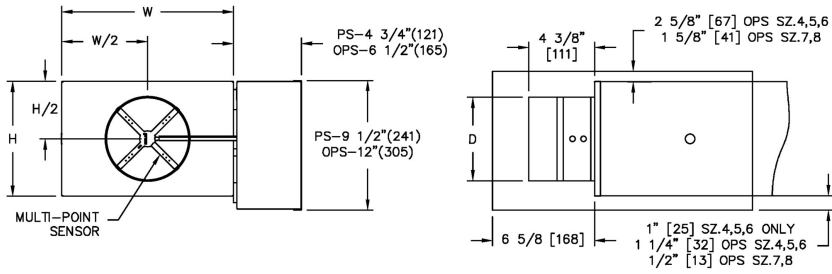
SUBMITTAL DATE: 10/4/2024

SDV Single Duct w/ Electric Coil



Unit Size	Casing Size	Inlet	Casing		Length
		D	W	H	L
14	14	13 7/8	20	17 1/2	40 3/16

Controls Type



- Multi-point, center averaging airflow sensor.
- Controls enclosure will be supplied as illustrated on right hand side.
- Controls are supplied by controls contractor and field installed.
- PS - NEMA 1 controls enclosure included.
- Standard NEMA 1 controls enclosure mounting position.
- Pressure independent

PROJECT: Dayton Regional STEM K-5 Bldg

ENGINEER:

DESCRIPTION: Single Duct Variable Volume

SDV-2-1//14/CRH/SP300/FLD/FF1/////CFM/22GA/PS/STD//EC/////0.00/////480-3/SCR/10.5,12.0/SCR-108/SCRV//IDSW//648,702/2160,234
0/0/0/1080,1245/ADQ/4x6/////2000

SUBMITTAL NO: 275707

CUSTOMER:

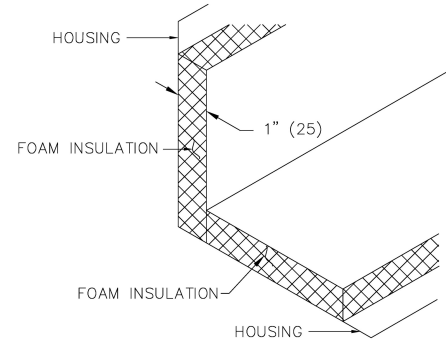
SUBMITTAL DATE: 10/4/2024

Notes

- 22 Gauge zinc coated steel housing with 20 gauge electric coil. Mechanically sealed, leak resistant construction.
- Rectangular discharge opening with slip and drive cleat duct connection.
- Assembly ETL certified to UL1996 & CSA236.
- Units not to be used for temporary heat or ventilation during construction.
- ADQ - Bottom access door with quarter turn sash latches.
- Minimum air volume is zero (shut-off).
- Damper blade constructed of two layers of galvanized steel with a sandwiched peripheral gasket.
- 1/2" (13) diameter zinc coated damper shaft with position indicator.
- Heater section is not insulated.

Insulation: FF1

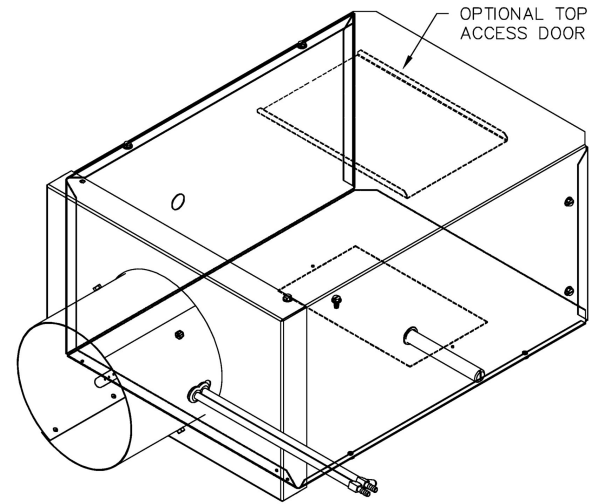
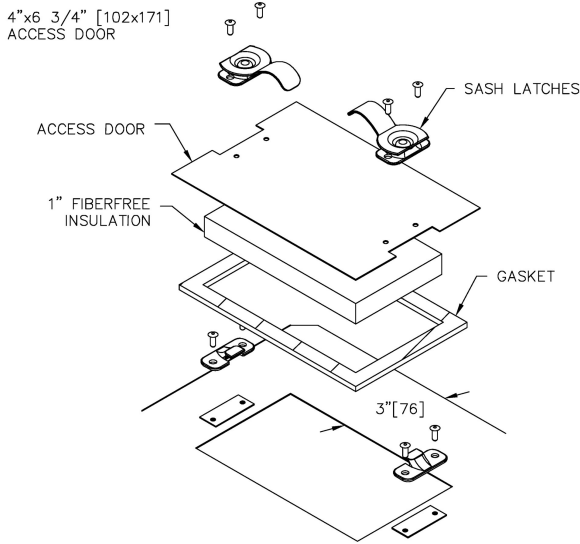
- Internal Insulation - Fiber Free Foam 1" (25mm) thick, 1.5 lb/cu.ft density, meets requirements of NFPA90A and UL 181.
- R-Value=4



Access Door

ADQ

Insulated Access Door c/w Quarter Turn Latches



PROJECT: Dayton Regional STEM K-5 Bldg

ENGINEER:

DESCRIPTION: Single Duct Variable Volume

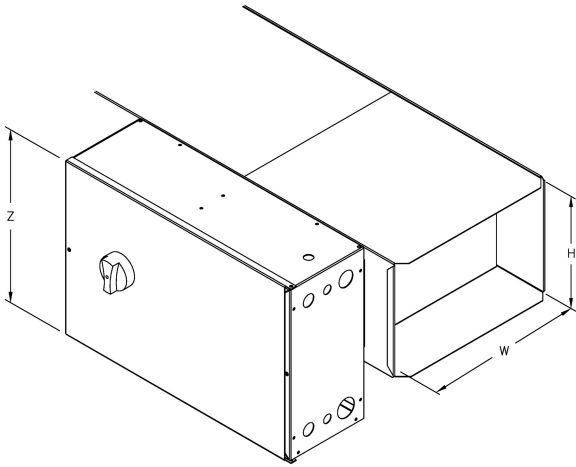
SDV-2-1//14/CRH/SP300/FLD/FF1//CFM/22GA/PS/STD//EC//0.00//480-3/SCR/10.5,12.0/SCR-108/SCRV//IDSW//648,702/2160,234
0/0/0/1080,1245/ADQ/4x6//2000

SUBMITTAL NO: 275707

CUSTOMER:

SUBMITTAL DATE: 10/4/2024

Electric Coil



Electric Coil Notes

- Supply Voltage: 480/3Ø (3 Wire)
- Automatic / manual reset thermal cutout.
- Low watt density elements, high grade nickel-chrome alloy.
- Air flow switch included.
- Hinged access door included.
- Refer to submitted control diagrams for standard control components to be supplied.
- Magnetic contactors included.
- 24 VAC / 50 VA Class 2 Transformer included.
- IDSW - Door interlock disconnect switch included.
- SCR - 0 to 10 VDC control signal included.
- Bottom access door provides warning label.
- DAT - Discharge air temperature control included.

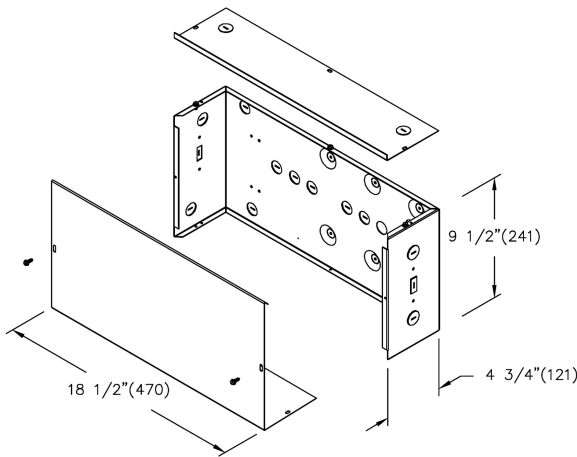
Electrical Configuration

EC Type: SCR
EC SCR Type: SCR-108



Unit Size	W	H	Z
14	20	17 1/2	17

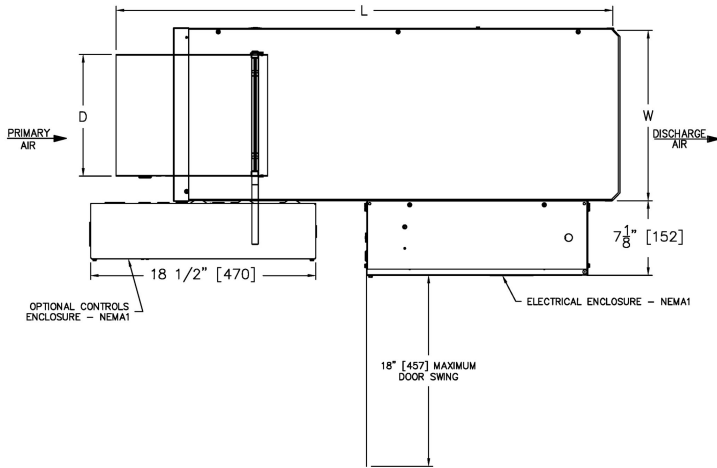
Protective Shroud



PROJECT: Dayton Regional STEM K-5 Bldg
ENGINEER:
DESCRIPTION: Single Duct Variable Volume
 SDV-2-1//14/CRH/SP300/FLD/FF1/////CFM/22GA/PS/STD//EC/////0.00/////480-3/SCR/10.5,12.0/SCR-108/SCRV/////IDSW//648,702/2160,234
 0/0/0/1080,1245/ADQ/4x6/////2000

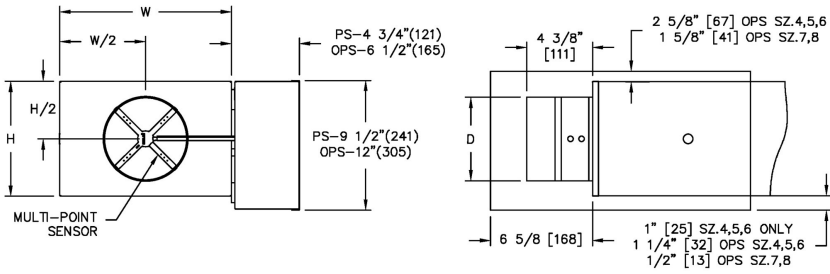
SUBMITTAL NO: 275707
CUSTOMER:
SUBMITTAL DATE: 10/4/2024

SDV Single Duct w/ Electric Coil



Unit Size	Casing Size	Inlet	Casing		Length
		D	W	H	L
12	12	11 7/8	16	15	40 3/16

Controls Type



- Multi-point, center averaging airflow sensor.
- Controls enclosure will be supplied as illustrated on right hand side.
- Controls are supplied by controls contractor and field installed.
- PS - NEMA 1 controls enclosure included.
- Standard NEMA 1 controls enclosure mounting position.
- Pressure independent

PROJECT: Dayton Regional STEM K-5 Bldg

ENGINEER:

DESCRIPTION: Single Duct Variable Volume

SDV-2-1//12/CRH/SP300/FLD/FF1//CFM/22GA/PS/STD//EC//0.00//480-3/SCR/6.5/SCR-112/SCRV//IDSW//404/1345/0/0/673/ADQ/4x6//2000

SUBMITTAL NO: 275707

CUSTOMER:

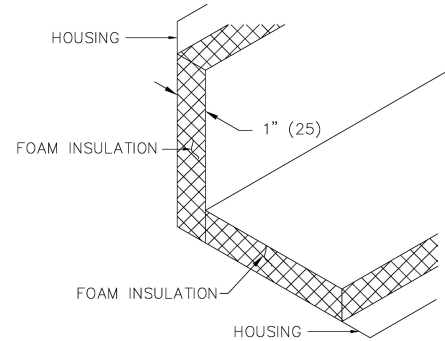
SUBMITTAL DATE: 10/4/2024

Notes

- 22 Gauge zinc coated steel housing with 20 gauge electric coil. Mechanically sealed, leak resistant construction.
- Rectangular discharge opening with slip and drive cleat duct connection.
- Assembly ETL certified to UL1996 & CSA236.
- Units not to be used for temporary heat or ventilation during construction.
- ADQ - Bottom access door with quarter turn sash latches.
- Minimum air volume is zero (shut-off).
- Damper blade constructed of two layers of galvanized steel with a sandwiched peripheral gasket.
- 1/2" (13) diameter zinc coated damper shaft with position indicator.
- Heater section is not insulated.

Insulation: FF1

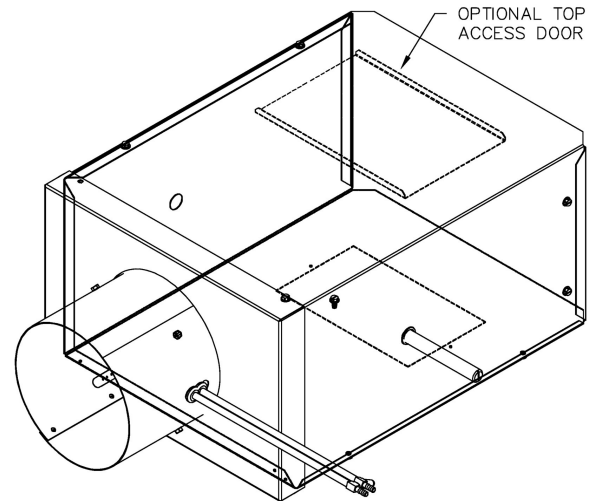
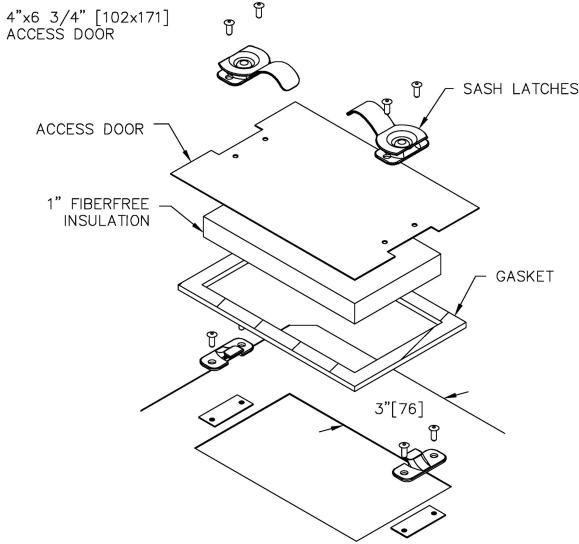
- Internal Insulation - Fiber Free Foam 1" (25mm) thick, 1.5 lb/cu.ft density, meets requirements of NFPA90A and UL 181.
- R-Value=4



Access Door

ADQ

Insulated Access Door c/w Quarter Turn Latches

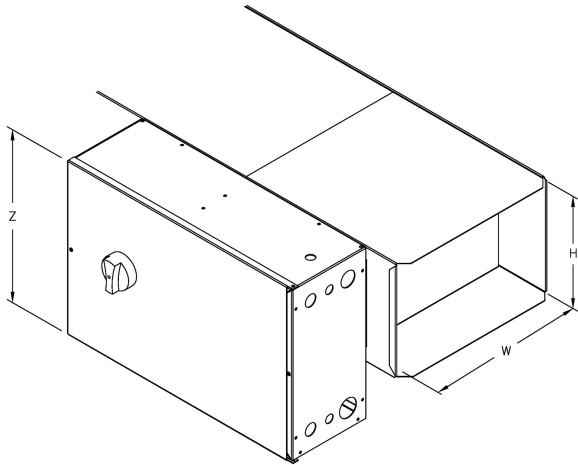


PROJECT: Dayton Regional STEM K-5 Bldg
ENGINEER:
DESCRIPTION: Single Duct Variable Volume
 SDV-2-1//12/CRH/SP300/FLD/FF1/////CFM/22GA/PS/STD//EC/////0.00/////480-3/SCR/6.5/SCR-112/SCRV/////IDSW//404/1345/0/0/673/ADQ/4
 x6/////2000

SUBMITTAL NO: 275707
CUSTOMER:

SUBMITTAL DATE: 10/4/2024

Electric Coil



Electric Coil Notes

- Supply Voltage: 480/3Ø (3 Wire)
- Automatic / manual reset thermal cutout.
- Low watt density elements, high grade nickel-chrome alloy.
- Air flow switch included.
- Hinged access door included.
- Refer to submitted control diagrams for standard control components to be supplied.
- Magnetic contactors included.
- 24 VAC / 50 VA Class 2 Transformer included.
- IDSW - Door interlock disconnect switch included.
- SCR - 0 to 10 VDC control signal included.
- Bottom access door provides warning label.
- DAT - Discharge air temperature control included.

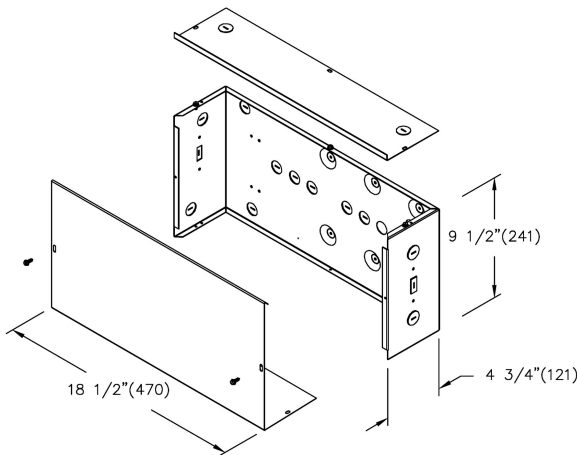
Electrical Configuration

EC Type: SCR
EC SCR Type: SCR-112



Unit Size	W	H	Z
12	16	15	17

Protective Shroud

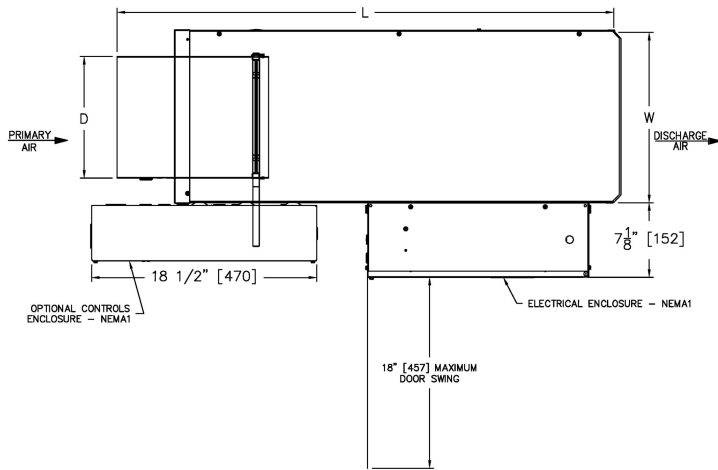


PROJECT: Dayton Regional STEM K-5 Bldg
ENGINEER:
DESCRIPTION: Single Duct Variable Volume
 SDV-2-1//12/CRH/SP300/FLD/FF1/////CFM/22GA/PS/STD//EC/////0.00/////480-3/SCR/6.5/SCR-112/SCRV/////IDSW//404/1345/0/0/673/ADQ/4
 x6/////2000

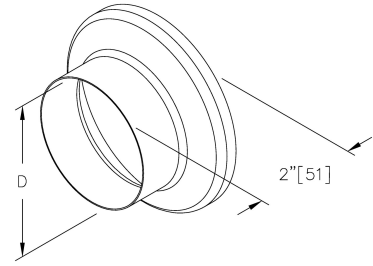
SUBMITTAL NO: 275707
CUSTOMER:

SUBMITTAL DATE: 10/4/2024

SDV Single Duct w/ Electric Coil



Inlet Diameter Reducer Detail

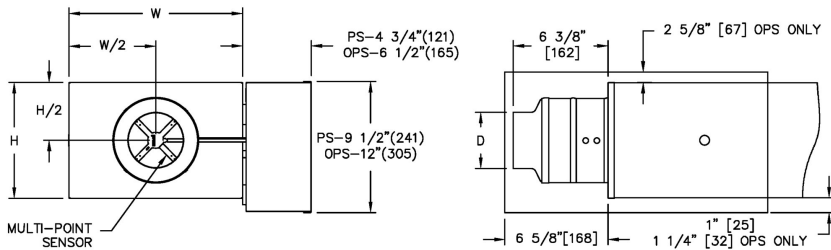


Size 4 and 5 have a 6" diameter duct with inlet reducer as shown

Inlet Reducer Dimensions	
Unit Size	D
5	4 7/8

Unit Size	Casing Size	Inlet	Casing		Length
		D	W	H	L
5	6	4 7/8	12	8	42 3/16

Controls Type



- Multi-point, center averaging airflow sensor.
- Controls enclosure will be supplied as illustrated on right hand side.
- Controls are supplied by controls contractor and field installed.
- PS - NEMA 1 controls enclosure included.
- Standard NEMA 1 controls enclosure mounting position.
- Pressure independent

PROJECT: Dayton Regional STEM K-5 Bldg
ENGINEER:
DESCRIPTION: Single Duct Variable Volume
 SDV-2-1//1/5/CRH/SP300/FLD/FF1//CFM/22GA/PS/STD//EC//0.00//277-1/SCR/3.5/SCR-109/SCRV//IDSW//120/400/0/0/363/ADQ/4x6//2000

SUBMITTAL NO: 275707
CUSTOMER:

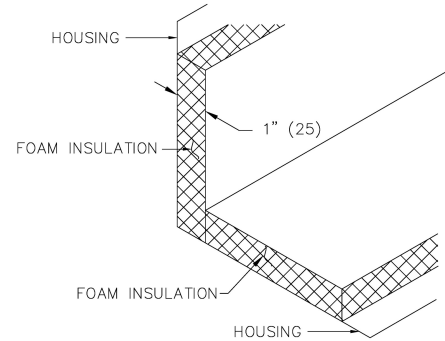
SUBMITTAL DATE: 10/4/2024

Notes

- 22 Gauge zinc coated steel housing with 20 gauge electric coil. Mechanically sealed, leak resistant construction.
- Rectangular discharge opening with slip and drive cleat duct connection.
- Assembly ETL certified to UL1996 & CSA236.
- Units not to be used for temporary heat or ventilation during construction.
- ADQ - Bottom access door with quarter turn sash latches.
- Minimum air volume is zero (shut-off).
- Damper blade constructed of two layers of galvanized steel with a sandwiched peripheral gasket.
- 1/2" (13) diameter zinc coated damper shaft with position indicator.
- Heater section is not insulated.

Insulation: FF1

- Internal Insulation - Fiber Free Foam 1" (25mm) thick, 1.5 lb/cu.ft density, meets requirements of NFPA90A and UL 181.
- R-Value=4

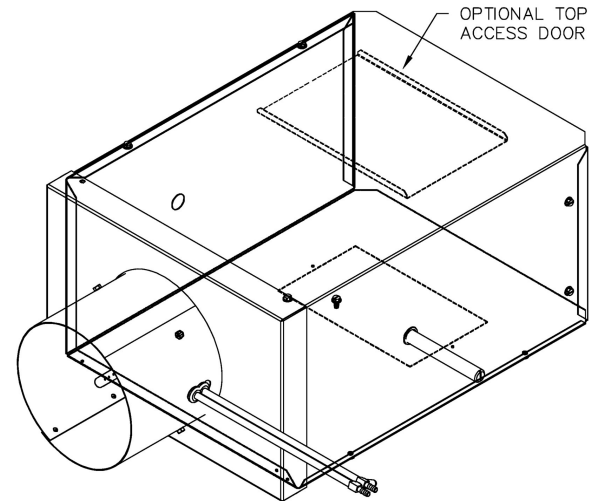
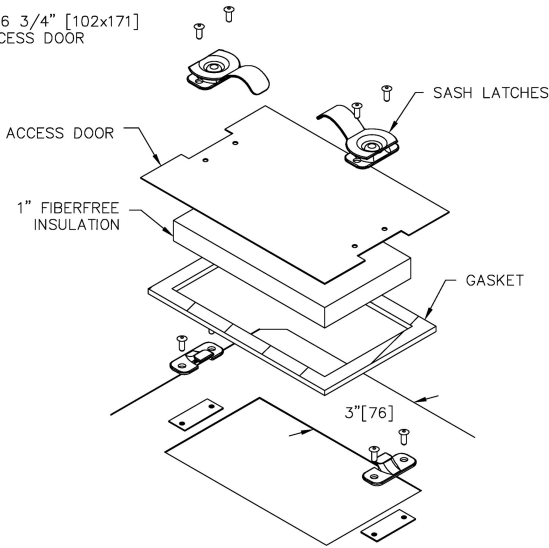


Access Door

ADQ

Insulated Access Door c/w Quarter Turn Latches

4"x6 3/4" [102x171]
ACCESS DOOR



PROJECT: Dayton Regional STEM K-5 Bldg

ENGINEER:

DESCRIPTION: Single Duct Variable Volume

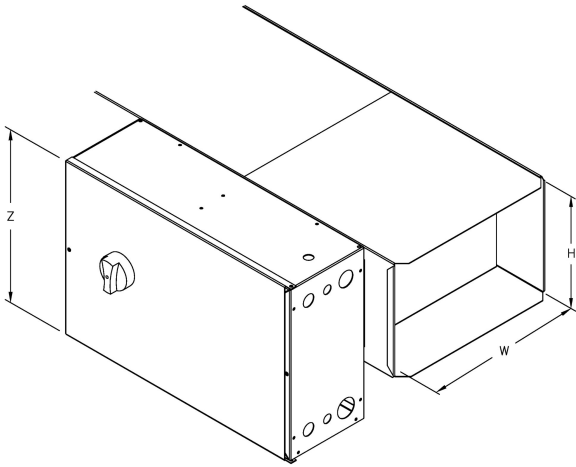
SDV-2-1//1/5/CRH/SP300/FLD/FF1////CFM/22GA/PS/STD//EC////////0.00//////////277-1/SCR/3.5/SCR-109/SCRV////IDSW//120/400/0/0/363/ADQ/4x6/
//////////2000

SUBMITTAL NO: 275707

CUSTOMER:

SUBMITTAL DATE: 10/4/2024

Electric Coil



Electric Coil Notes

- Supply Voltage: 277/1Ø
- Automatic / manual reset thermal cutout.
- Low watt density elements, high grade nickel-chrome alloy.
- Air flow switch included.
- Hinged access door included.
- Refer to submitted control diagrams for standard control components to be supplied.
- Magnetic contactors included.
- 24 VAC / 50 VA Class 2 Transformer included.
- IDSW - Door interlock disconnect switch included.
- SCR - 0 to 10 VDC control signal included.
- Bottom access door provides warning label.
- DAT - Discharge air temperature control included.

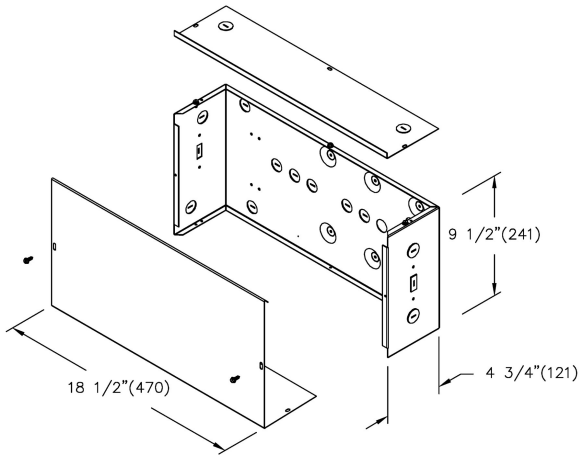
Electrical Configuration

EC Type: SCR
 EC SCR Type: SCR-109



Unit Size	W	H	Z
5	12	8	12

Protective Shroud



PROJECT: Dayton Regional STEM K-5 Bldg
ENGINEER:
DESCRIPTION: Single Duct Variable Volume
 SDV-2-1//1/5/CRH/SP300/FLD/FF1/////CFM/22GA/PS/STD//EC/////0.00/////277-1/SCR/3.5/SCR-109/SCRV/////IDSW//120/400/0/0/363/ADQ/4x6/
 /////2000

SUBMITTAL NO: 275707
CUSTOMER:

SUBMITTAL DATE: 10/4/2024