

Project Name: Cincinnati State HPB Boiler and Controls
Submittal: VAV submittal

CMTA Project Code: OSCB24
Date Received: 3/31/2025

Reviewed by: David Finke
Date Returned: 04/03/2024

Corrections or comments made on the shop drawings during this review do not relieve the contractor from compliance with requirements of the drawings and specifications. This check is only for review of general compliance with the information given in the contract documents. The contractor is responsible for confirming and correlating all quantities and dimensions; selecting fabrication processes and techniques of construction; coordinating his work with that of all other trades; and performing his work in a safe and satisfactory manner.

Reviewed

Furnish as Corrected

Rejected

Revise and Resubmit

COMMENTS:

1. Contractor is responsible for RH LH configuration.
2. Install units with manufacturer's recommended clearances.

Langdon , Inc.

9865 Wayne Ave.
Cincinnati , Ohio 45215

Phone 513-733-5955
Fax 513-733-5955

Cincinnati State HPB Building

The Geiler Company

P.O. Box 11324 6561 Glenway Ave.
Cincinnati OH, 45211

513-574-0025

SUBMITTAL No. HVAC-02

233600

Spec Number

Air Terminal Units

Item

LANGDON , INC.

Reviewed

Reviewed as noted

Revise and resubmit

March 31, 2025

Bill Bauer jr
Project Manager
Langdon, Inc.

SUBMITTAL COVER SHEET



Date: **March 3, 2025**

Job Name: **Cincinnati State HPB Upgrade**

Customer: **Langdon Sheet Metal**

Engineer/Consultant: **CMTA**

Manufacturer: **Price Industries VAV Boxes**

Submitted By: **Jason Schulte**

The attached submittals are provided for: **X** **APPROVAL** **RECORD**

Price Industries – VAV Boxes

Please review the attached submittals on the VAV boxes.

Please provide (1) set of approved submittals prior to release for record.

Please verify items below:

1. All quantities and sizes
2. Finishes
3. Accessories

Respectfully Submitted,

Jason Schulte
513-332-2095 office



Terminals Submittals

Job Name: Cincinnati State HPB Upgrades

Project Number:

Job Location: Cincinnati

Customer: Langdon Sheet Metal

Date Printed: 2025-03-03

Spec Section: 15 - HVAC

Contact: Jason Schulte
3930 VIRGINIA AVE, CINCINNATI OH,
45227

Email: jschulte@eapnet.com

Notes:



Price Select
Terminals

Job Name Cincinnati State HPB Upgrades

Contractor

Entered By Jason Schulte

Engineer CMTA

Rep Job No

Sales Person Jason Schulte

Location Cincinnati

Units Imperial

Customer Langdon Sheet Metal

Model	Tag	Qty	Inlet Size	Max Primary	Min Primary	Inlet SP	Downstream SP	Min Operating SP	Max Discharge NC	Max Radiated NC	Reheat	EAT	LAT	WC Capacity	Coil Fluid Flow	Fluid PD	Rows	Max Coil APD	EWT	LWT
	VAV-214		8	590	200						400									
SDV	VAV - 218	1	8	550	170	1.00	0.25	0.39	20	13	400	55.0	95.0	17.430	1.5000	0.52	2L	0.38	140.0	116.3
SDV	VAV - 212	1	12	1700	510	1.00	0.25	0.36	16	18	850	55.0	95.0	36.890	2.9600	1.22	2L	0.35	140.0	114.7
SDV	VAV - 210	1	14	2100	630	1.00	0.25	0.51	7	12	1100	55.0	95.0	47.710	5.1200	3.22	2L	0.50	140.0	121.1
SDV	VAV - 208	VAV-208A	14	1970	600	1.00	0.25	0.46	8	13	1100	55.0	95.0	47.710	5.1200	3.22	2L	0.45	140.0	121.1
SDV	VAV - 206	1	14	1950	600	1.00	0.25	0.45	8	13	1100	55.0	95.0	47.710	5.1200	3.22	2L	0.44	140.0	121.1
SDV	VAV - 204	1	16	2345	710	1.00	0.25	0.43	9	14	1350	55.0	95.0	58.530	6.1700	4.80	2L	0.42	140.0	120.7
SDV	VAV - 203	1	10	890	270	1.00	0.25	0.37	15	12	500	55.0	95.0	21.740	2.3500	1.46	2L	0.36	140.0	121.2
SDV	VAV - 202	1	16	2695	810	1.00	0.25	0.54	6	13	1350	55.0	95.0	58.530	6.1700	4.80	2L	0.53	140.0	120.7
SDV	VAV - 200	1	12	1680	510	1.00	0.25	0.35	16	18	850	55.0	95.0	36.890	2.9600	1.22	2L	0.34	140.0	114.7
SDV	VAV - 201	1	8	600	200	1.00	0.25	0.45	20	13	400	55.0	95.0	17.430	1.5000	0.52	2L	0.44	140.0	116.3
SDV	VAV - 211	NOT FOUND	8	430	150	1.00	0.25	0.21	20	11	350	55.0	95.0	15.250	1.7700	0.69	2L	0.20	140.0	122.5
SDV	VAV - 220	1	8	560	200	1.00	0.25	0.41	20	13	400	55.0	95.0	17.430	1.5000	0.52	2L	0.40	140.0	116.3
SDV	VAV - 215	NOT FOUND	8	590	200	1.00	0.25	0.44	20	13	400	55.0	95.0	17.430	1.5000	0.52	2L	0.43	140.0	116.3
SDV	VAV - 209	1	12	1500	450	1.00	0.25	0.30	16	16	850	55.0	95.0	36.890	2.9600	1.22	2L	0.29	140.0	114.7
SDV	VAV - 207	1	12	1530	460	1.00	0.25	0.30	16	18	1000	55.0	95.0	43.370	4.0900	2.16	2L	0.29	140.0	118.4
SDV	VAV - 207B	1	12	1440	450	1.00	0.25	0.28	16	16	1000	55.0	95.0	43.370	4.0900	2.16	2L	0.27	140.0	118.4
SDV	VAV - 205	1	10	750	250	1.00	0.25	0.28	15	12	500	55.0	95.0	21.740	2.3500	1.46	2L	0.27	140.0	121.2
SDV	VAV - 305	1	10	650	200	1.00	0.25	0.22	17	11	400	55.0	95.0	17.400	1.4600	0.63	2L	0.21	140.0	115.8
SDV	VAV - 354	1	8	420	130	1.00	0.25	0.20	20	11	240	55.0	95.0	10.470	0.8100	0.17	2L	0.19	140.0	113.7
SDV	VAV - 344	1	8	630	200	1.00	0.25	0.38	22	15	400	55.0	95.0	17.410	2.6500	1.41	2L	0.37	140.0	126.6
SDV	VAV - 338	1	8	630	200	1.00	0.25	0.38	22	15	400	55.0	95.0	17.410	2.6500	1.41	2L	0.37	140.0	126.6
SDV	VAV - 332	1	8	630	200	1.00	0.25	0.38	22	15	400	55.0	95.0	17.410	2.6500	1.41	2L	0.37	140.0	126.6
SDV	VAV - 326	1	8	630	200	1.00	0.25	0.38	22	15	400	55.0	95.0	17.410	2.6500	1.41	2L	0.37	140.0	126.6
SDV	VAV - 320	1	8	510	160	1.00	0.25	0.27	21	13	350	55.0	95.0	15.250	1.7700	0.69	2L	0.26	140.0	122.5
SDV	VAV - 318	1	8	700	250	1.00	0.25	0.45	22	16	350	55.0	95.0	15.250	1.7700	0.69	2L	0.44	140.0	122.5
SDV	VAV - 316	1	6	450	150	1.00	0.25	0.39	30	21	350	55.0	95.0	15.250	1.7700	0.69	2L	0.21	140.0	122.5



Price Select
Terminals

Model	Tag	Qty	Inlet Size	Max Primary	Min Primary	Inlet SP	Downstream SP	Min Operating SP	Max Discharge NC	Max Radiated NC	Reheat	EAT	LAT	WC Capacity	Coil Fluid Flow	Fluid PD	Rows	Max Coil APD	EWT	LWT
SDV	VAV - 312	1	12	1545	500	1.00	0.25	0.31	16	18	850	55.0	95.0	36.890	2.9600	1.22	2L	0.30	140.0	114.7
SDV	VAV - 314	1	10	990	300	1.00	0.25	0.44	15	12	550	55.0	95.0	23.910	3.0400	2.30	2L	0.43	140.0	124.0
SDV	VAV - 312.1	1	12	1220	400	1.00	0.25	0.38	12	13	820	55.0	95.0	35.590	5.1300	7.23	2L	0.37	140.0	125.9
SDV	VAV - 308	1	6	440	140	1.00	0.25	0.37	29	21	350	55.0	95.0	15.250	1.7700	0.69	2L	0.20	140.0	122.5
SDV	VAV - 310	1	10	950	290	1.00	0.25	0.41	15	12	400	55.0	95.0	17.400	1.4600	0.63	2L	0.40	140.0	115.8
SDV	VAV - 304	1	8	560	170	1.00	0.25	0.32	21	15	350	55.0	95.0	15.250	1.7700	0.69	2L	0.31	140.0	122.5
SDV	VAV - 300	1	8	560	170	1.00	0.25	0.32	21	15	400	55.0	95.0	17.410	2.6500	1.41	2L	0.31	140.0	126.6
SDV	VAV - 301	1	10	830	250	1.00	0.25	0.33	15	12	550	55.0	95.0	23.910	3.0400	2.30	2L	0.32	140.0	124.0
SDV	VAV - 358	1	8	690	210	1.00	0.25	0.44	22	16	400	55.0	95.0	17.410	2.6500	1.41	2L	0.43	140.0	126.6
SDV	VAV - 347	1	6	200	100	1.00	0.25	0.11	24	12	200	55.0	95.0	8.740	0.7700	0.12	2L	0.07	140.0	117.0
SDV	VAV - 345	1	6	440	150	1.00	0.25	0.44	29	21	240	55.0	95.0	10.480	1.1400	0.25	2L	0.27	140.0	121.4
SDV	VAV - 343	1	8	550	270	1.00	0.25	0.31	21	13	350	55.0	95.0	15.250	1.7700	0.69	2L	0.30	140.0	122.5
SDV	VAV - 341	1	6	450	140	1.00	0.25	0.46	29	21	225	55.0	95.0	9.850	0.9900	0.19	2L	0.28	140.0	119.9
SDV	VAV - 339	1	6	320	100	1.00	0.25	0.25	25	17	160	55.0	95.0	7.060	0.5300	0.06	2L	0.16	140.0	113.0
SDV	VAV - 333	1	8	525	250	1.00	0.25	0.29	21	13	350	55.0	95.0	15.250	1.7700	0.69	2L	0.28	140.0	122.5
SDV	VAV - 337	1	10	800	250	1.00	0.25	0.31	15	12	400	55.0	95.0	17.400	1.4600	0.63	2L	0.30	140.0	115.8
SDV	VAV - 331	1	10	810	250	1.00	0.25	0.32	15	12	550	55.0	95.0	23.910	3.0400	2.30	2L	0.31	140.0	124.0
SDV	VAV - 323	1	10	880	270	1.00	0.25	0.36	16	12	550	55.0	95.0	23.910	3.0400	2.30	2L	0.35	140.0	124.0
SDV	VAV - 319	1	10	1000	300	1.00	0.25	0.45	15	12	500	55.0	95.0	21.740	2.3500	1.46	2L	0.44	140.0	121.2
SDV	VAV - 311	NOT FOUND	10	990	450	1.00	0.25	0.44	15	12	550	55.0	95.0	23.910	3.0400	2.30	2L	0.43	140.0	124.0
SDV	VAV - 348	1	8	420	130	1.00	0.25	0.20	20	11	240	55.0	95.0	10.470	0.8100	0.17	2L	0.19	140.0	113.7
SDV	VAV - 112	1	12	1620	500	1.00	0.25	0.33	16	18	1000	55.0	95.0	43.370	4.0900	2.16	2L	0.32	140.0	118.4
SDV	VAV - 110	1	12	1400	420	1.00	0.25	0.47	11	13	700	55.0	95.0	30.400	3.2600	3.22	2L	0.46	140.0	121.0
SDV	VAV - 108	1	12	1400	450	1.00	0.25	0.26	16	16	850	55.0	95.0	36.890	2.9600	1.22	2L	0.25	140.0	114.7
SDV	VAV - 106	1	10	920	280	1.00	0.25	0.39	15	12	600	55.0	95.0	26.080	4.0200	3.79	2L	0.38	140.0	126.8
SDV	VAV - 104	1	12	1120	350	1.00	0.25	0.18	15	15	850	55.0	95.0	36.890	2.9600	1.22	2L	0.17	140.0	114.7
SDV	VAV - 102	1	14	1950	600	1.00	0.25	0.45	8	13	1100	55.0	95.0	47.710	5.1200	3.22	2L	0.44	140.0	121.1
SDV	VAV - 170	1	12	1215	370	1.00	0.25	0.21	15	15	850	55.0	95.0	36.890	2.9600	1.22	2L	0.20	140.0	114.7
SDV	VAV - 105	1	8	350	350	1.00	0.25	0.15	17	8	350	55.0	95.0	15.250	1.7700	0.69	2L	0.14	140.0	122.5
SDV	VAV - 107	1	14	2160	650	1.00	0.25	0.53	6	12	1100	55.0	95.0	47.710	5.1200	3.22	2L	0.52	140.0	121.1
SDV	VAV - 109	1	12	1650	500	1.00	0.25	0.34	16	18	850	55.0	95.0	36.890	2.9600	1.22	2L	0.33	140.0	114.7



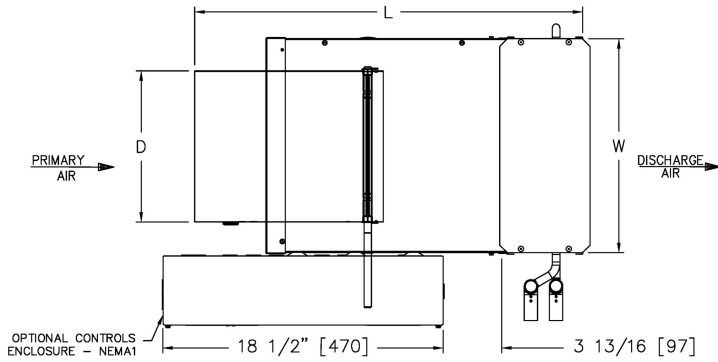
Price Select
Terminals

Model	Tag	Qty	Inlet Size	Max Primary	Min Primary	Inlet SP	Downstream SP	Min Operating SP	Max Discharge NC	Max Radiated NC	Reheat	EAT	LAT	WC Capacity	Coil Fluid Flow	Fluid PD	Rows	Max Coil APD	EWT	LWT
SDV	VAV - 111	1	10	1000	300	1.00	0.25	0.45	15	12	500	55.0	95.0	21.740	2.3500	1.46	2L	0.44	140.0	121.2
SDV	VAV - 010	1	12	1160	350	1.00	0.25	0.20	15	15	850	55.0	95.0	36.890	2.9600	1.22	2L	0.19	140.0	114.7
SDV	VAV - 008	1	12	1360	410	1.00	0.25	0.25	16	16	850	55.0	95.0	36.890	2.9600	1.22	2L	0.24	140.0	114.7
SDV	VAV - 006	1	12	1700	600	1.00	0.25	0.36	16	18	850	55.0	95.0	36.890	2.9600	1.22	2L	0.35	140.0	114.7
SDV	VAV - 004	1	12	1500	450	1.00	0.25	0.30	16	16	850	55.0	95.0	36.890	2.9600	1.22	2L	0.29	140.0	114.7
SDV	VAV - 002	1	16	2700	1000	1.00	0.25	0.54	6	13	1350	55.0	95.0	58.530	6.1700	4.80	2L	0.53	140.0	120.7
SDV	VAV - 001A	1	16	3000	900	1.00	0.25	0.64	2	11	1350	55.0	95.0	58.530	6.1700	4.80	2L	0.63	140.0	120.7
SDV	VAV - 001B	1	24x16	3400	1100	1.00	0.25	0.41	18	24	2200	55.0	95.0	95.300	8.2900	9.89	2L	0.40	140.0	116.6
SDV	VAV - 001C	1	24x16	3600	1100	1.00	0.25	0.45	18	24	2200	55.0	95.0	95.300	8.2900	9.89	2L	0.44	140.0	116.6
SDV	VAV - 003	1	10	1000	600	1.00	0.25	0.27	19	15	800	55.0	95.0	34.720	4.7300	6.26	2L	0.26	140.0	125.1
SDV	VAV - 303	1	6	355	110	1.00	0.25	0.30	26	19	250	55.0	95.0	10.930	1.2700	0.30	2L	0.19	140.0	122.5
SDV	VAV - 356	1	6	375	130	1.00	0.25	0.34	28	19	240	55.0	95.0	10.480	1.1400	0.25	2L	0.21	140.0	121.4

Performance Notes

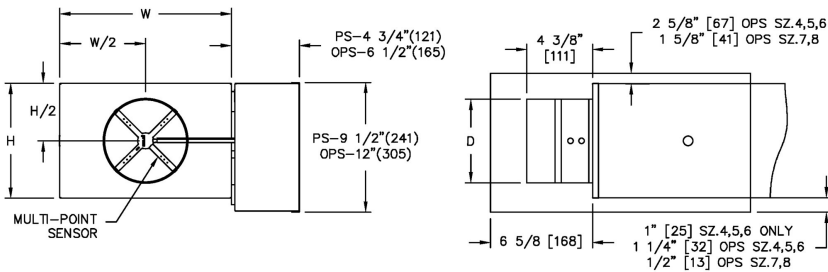
1. Dashes (-) indicate NC values less than 20.
2. Sound power levels are given in decibels (dB).
3. Dashes (-) indicate sound power levels below 36-29-26-22-19-17 for each octave band; values below these sound power levels are considered below significance per AHRI 880.
4. Minimum operating pressure is the minimum static pressure required to operate the terminal item assembly at maximum primary flow with a wide open damper.
5. Airflow is given in cubic feet per minute (cfm).
6. Air pressure drop is given in inches water gauge (in. w.g.), and water pressure drop is given in feet of water gauge (ft. w.g.).
7. Water coil performance is rated and certified in accordance with the latest edition of AHRI Standard 410.

SDV Single Duct w/ Hot Water Coil



Unit Size	Casing Size	Inlet	Casing		Length
		D	W	H	L
8	8	7 7/8	12	10	25 1/8

Controls Type



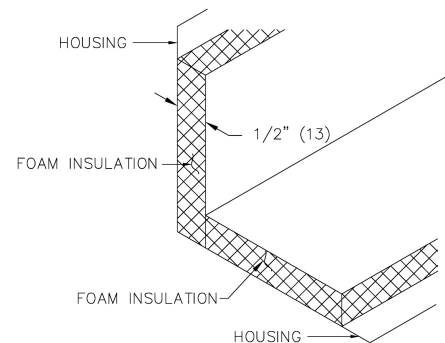
- Multi-point, center averaging airflow sensor.
- Controls enclosure will be supplied as illustrated on right hand side.
- Controls are supplied by controls contractor and field installed.
- PS - NEMA 1 controls enclosure included.
- Standard NEMA 1 controls enclosure mounting position.
- Pressure independent

Notes

- 22 Gauge zinc coated steel housing. Mechanically sealed, leak resistant construction.
- Rectangular discharge opening with slip and drive cleat duct connection.
- Assembly ETL certified to UL50.
- Units not to be used for temporary heat or ventilation during construction.
- ADQ - Bottom access door with quarter turn sash latches.
- Damper blade constructed of two layers of galvanized steel with a sandwiched peripheral gasket.
- 1/2" (13) diameter zinc coated damper shaft with position indicator.

Insulation: FF50

- Internal Insulation - Fiber Free Foam 1/2" (13mm) thick, 1.5 lb/cu.ft density, meets requirements of NFPA90A and UL 181
- R-Value=2

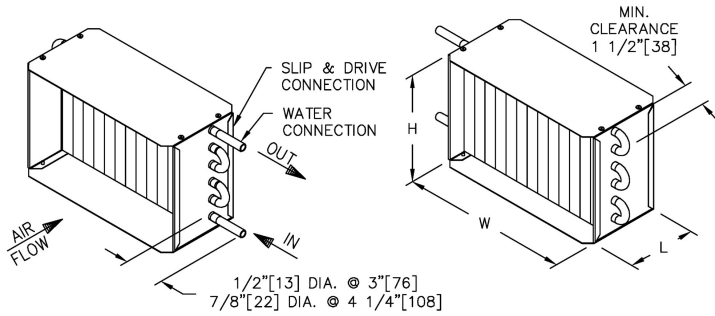


PROJECT: Cincinnati State HPB Upgrades
ENGINEER: CMTA
DESCRIPTION: Single Duct Variable Volume
 SDV-2-1//118/CRH/SP300/FLD/FF50//CFM/22GA/PS/STD//WC/2L/HC//0.0//170,200/550,600,560,590/0/0/400/ADQ/4x6//2000

SUBMITTAL NO: 275707-A
CUSTOMER: Langdon Sheet Metal
SUBMITTAL DATE: 3/3/2025

High Capacity Water Coil: 2L

2 Row Left Hand



Unit Size	Coil Rows	H	W	L	Coil Connection
8	2	10	12	5	7/8

*Hand of water coil connections is determined when viewed from air inlet side.

Water Coil Notes

- Fabricated from 22 gauge galvanized steel. Mechanically sealed, leak resistant construction.
- Hot water coils have copper tubes and aluminum fins with O.D. sweat connections.
- Refer to submitted terminal unit schedule for air volumes and reheat coil capacities.
- Method of venting reheat coil is to be provided by installing contractor.
- Hand of water coil connections is determined when viewed from air inlet side (RH shown above). Handing is specified at time of order.
- Configuration of coil connection varies with size & rows of coil.
- Water coil performance rated and certified in accordance with the current edition of AHRI standard 410.
- HC - High capacity coils supplied with 12 fins per inch.
- Allow 1.5" (38) minimum clearance for installation at coil header end.

PROJECT: Cincinnati State HPB Upgrades

ENGINEER: CMTA

DESCRIPTION: Single Duct Variable Volume

SDV-2-1//1/8/CRH/SP300/FLD/FF50/////CFM/22GA/PS/STD//WC/2L/HC/////0.0/////170,200/550,600,560,590/0/0/400/ADQ/4x6/////2000

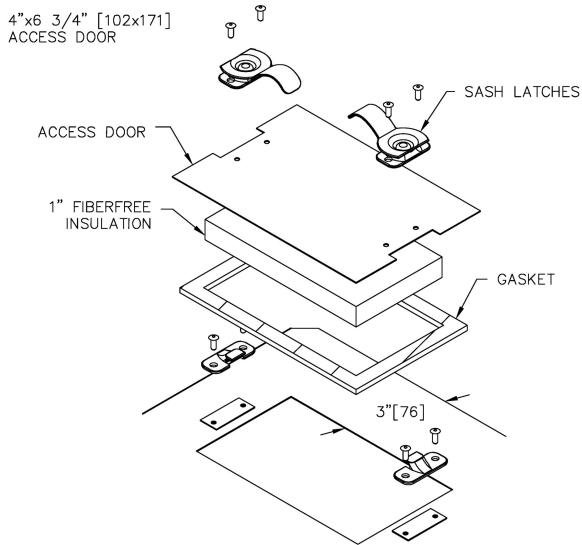
SUBMITTAL NO: 275707-A

SUBMITTAL DATE: 3/3/2025

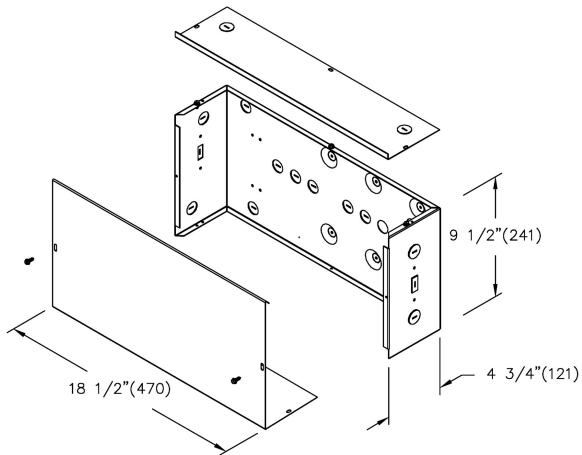
CUSTOMER: Langdon Sheet Metal

Access Door: ADQ

Insulated Access Door c/w Quarter Turn Latches



Protective Shroud



PROJECT: Cincinnati State HPB Upgrades

ENGINEER: CMTA

DESCRIPTION: Single Duct Variable Volume

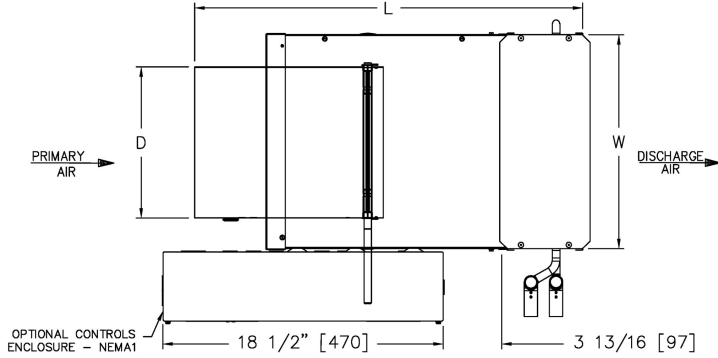
SDV-2-1//1/8/CRH/SP300/FLD/FF50/////CFM/22GA/PS/STD/WC/2L/HC/////0.0/////170,200/550,600,560,590/0/0/400/ADQ/4x6/////2000

SUBMITTAL NO: 275707-A

SUBMITTAL DATE: 3/3/2025

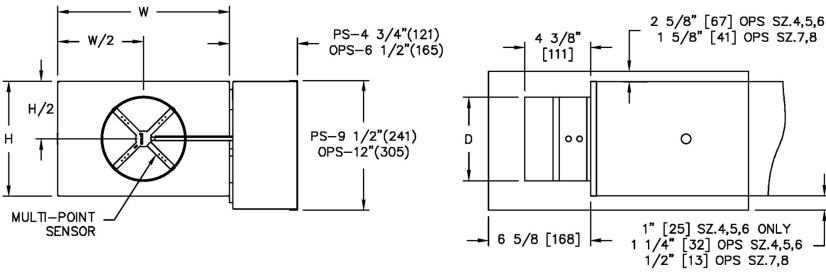
CUSTOMER: Langdon Sheet Metal

SDV Single Duct w/ Hot Water Coil



Unit Size	Casing Size	Inlet	Casing		Length
		D	W	H	L
12	14	11 7/8	20	17 1/2	25 1/8

Controls Type



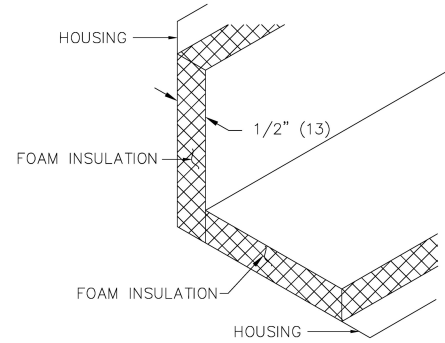
- Multi-point, center averaging airflow sensor.
- Controls enclosure will be supplied as illustrated on right hand side.
- Controls are supplied by controls contractor and field installed.
- PS - NEMA 1 controls enclosure included.
- Standard NEMA 1 controls enclosure mounting position.
- Pressure independent

Notes

- 22 Gauge zinc coated steel housing. Mechanically sealed, leak resistant construction.
- Rectangular discharge opening with slip and drive cleat duct connection.
- Assembly ETL certified to UL50.
- Units not to be used for temporary heat or ventilation during construction.
- ADQ - Bottom access door with quarter turn sash latches.
- Damper blade constructed of two layers of galvanized steel with a sandwiched peripheral gasket.
- 1/2" (13) diameter zinc coated damper shaft with position indicator.
- OS - Oversized option included. All accessories to match oversize casing.

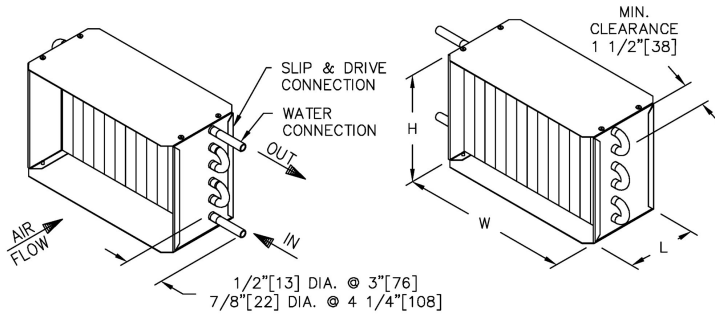
Insulation: FF50

- Internal Insulation - Fiber Free Foam 1/2" (13mm) thick, 1.5 lb/cu.ft density, meets requirements of NFPA90A and UL 181
- R-Value=2



Water Coil: 2L

2 Row Left Hand



Unit Size	Coil Rows	H	W	L	Coil Connection
12	2	17 1/2	20	5	7/8

*Hand of water coil connections is determined when viewed from air inlet side.

Water Coil Notes

- Fabricated from 22 gauge galvanized steel. Mechanically sealed, leak resistant construction.
- Hot water coils have copper tubes and aluminum fins with O.D. sweat connections.
- Refer to submitted terminal unit schedule for air volumes and reheat coil capacities.
- Method of venting reheat coil is to be provided by installing contractor.
- Hand of water coil connections is determined when viewed from air inlet side (RH shown above). Handing is specified at time of order.
- Configuration of coil connection varies with size & rows of coil.
- Water coil performance rated and certified in accordance with the current edition of AHRI standard 410.
- Standard coils supplied with 10 fins per inch.
- Allow 1.5" (38) minimum clearance for installation at coil header end.

PROJECT: Cincinnati State HPB Upgrades

ENGINEER: CMTA

DESCRIPTION: Single Duct Variable Volume

SDV-2-1/1/12/CRH/SP300/FLD/FF50/////CFM/22GA/PS/STD/WC/2L//OS/////0.0/////510,450,460,500,350,370,410,600/1700,1680,1500,1530,1440,1545,1620,1400,1120,1215,1650,1160,1360/0/0/850,1000/ADQ/4x6/////2000

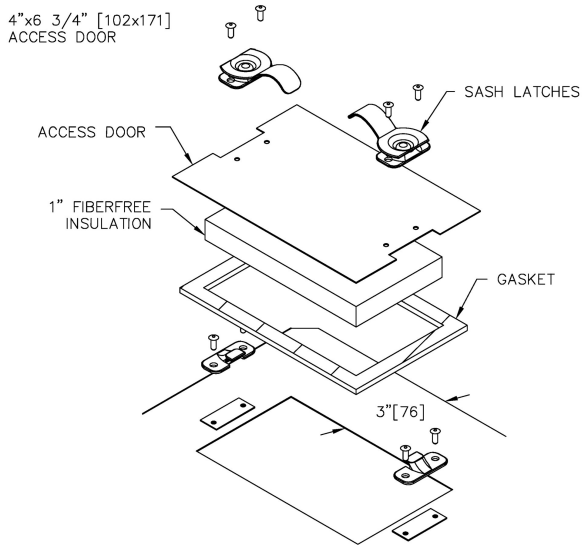
SUBMITTAL NO: 275707-A

CUSTOMER: Langdon Sheet Metal

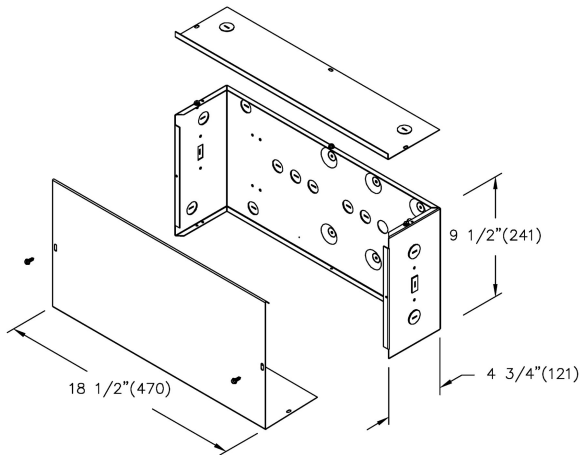
SUBMITTAL DATE: 3/3/2025

Access Door: ADQ

Insulated Access Door c/w Quarter Turn Latches



Protective Shroud



PROJECT: Cincinnati State HPB Upgrades

ENGINEER: CMTA

DESCRIPTION: Single Duct Variable Volume

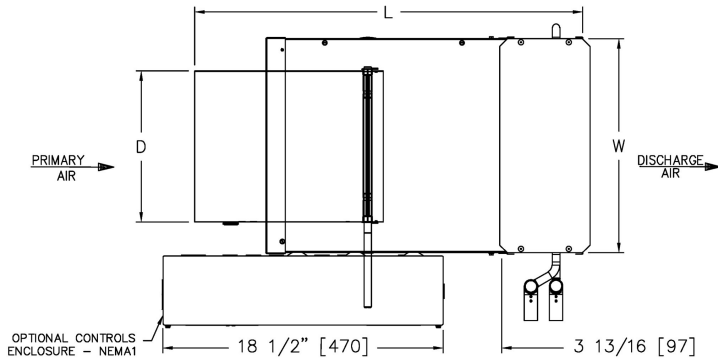
SDV-2-1//12/CRH/SP300/FLD/FF50/////CFM/22GA/PS/STD/WC/2L//OS////////0.0////////510,450,460,500,350,370,410,600/1700,1680,1500,1
530,1440,1545,1620,1400,1120,1215,1650,1160,1360/0/0/850,1000/ADQ/4x6////////2000

SUBMITTAL NO: 275707-A

SUBMITTAL DATE: 3/3/2025

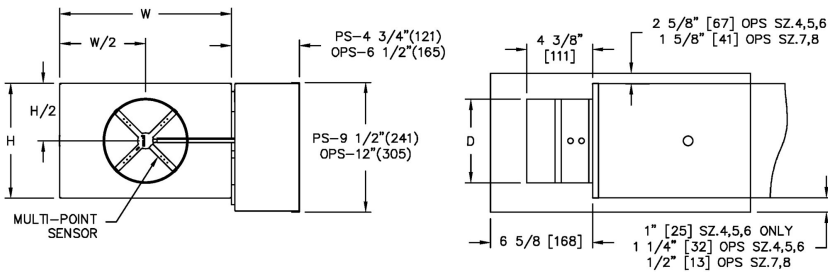
CUSTOMER: Langdon Sheet Metal

SDV Single Duct w/ Hot Water Coil



Unit Size	Casing Size	Inlet	Casing		Length
		D	W	H	L
14	14	13 7/8	20	17 1/2	25 1/8

Controls Type



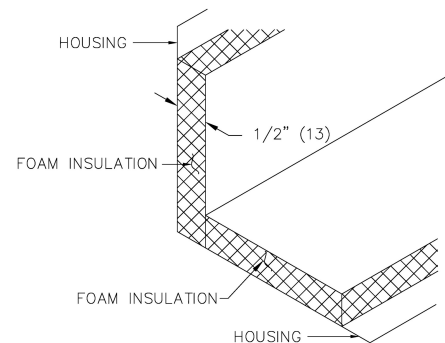
- Multi-point, center averaging airflow sensor.
- Controls enclosure will be supplied as illustrated on right hand side.
- Controls are supplied by controls contractor and field installed.
- PS - NEMA 1 controls enclosure included.
- Standard NEMA 1 controls enclosure mounting position.
- Pressure independent

Notes

- 22 Gauge zinc coated steel housing. Mechanically sealed, leak resistant construction.
- Rectangular discharge opening with slip and drive cleat duct connection.
- Assembly ETL certified to UL50.
- Units not to be used for temporary heat or ventilation during construction.
- ADQ - Bottom access door with quarter turn sash latches.
- Damper blade constructed of two layers of galvanized steel with a sandwiched peripheral gasket.
- 1/2" (13) diameter zinc coated damper shaft with position indicator.

Insulation: FF50

- Internal Insulation - Fiber Free Foam 1/2" (13mm) thick, 1.5 lb/cu.ft density, meets requirements of NFPA90A and UL 181
- R-Value=2

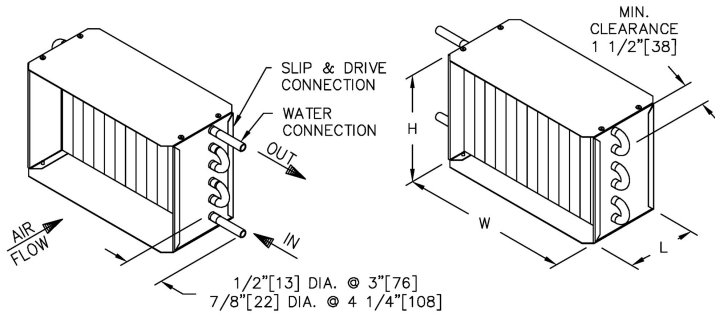


PROJECT: Cincinnati State HPB Upgrades
ENGINEER: CMTA
DESCRIPTION: Single Duct Variable Volume
 SDV-2-1//11/14/CRH/SP300/FLD/FF50/////CFM/22GA/PS/STD/WC/2L/////0.0/////630,600,650/2100,1970,1950,2160/0/0/1100/ADQ/4x6/////2000

SUBMITTAL NO: 275707-A
CUSTOMER: Langdon Sheet Metal
SUBMITTAL DATE: 3/3/2025

Water Coil: 2L

2 Row Left Hand



Unit Size	Coil Rows	H	W	L	Coil Connection
14	2	17 1/2	20	5	7/8

*Hand of water coil connections is determined when viewed from air inlet side.

Water Coil Notes

- Fabricated from 22 gauge galvanized steel. Mechanically sealed, leak resistant construction.
- Hot water coils have copper tubes and aluminum fins with O.D. sweat connections.
- Refer to submitted terminal unit schedule for air volumes and reheat coil capacities.
- Method of venting reheat coil is to be provided by installing contractor.
- Hand of water coil connections is determined when viewed from air inlet side (RH shown above). Handing is specified at time of order.
- Configuration of coil connection varies with size & rows of coil.
- Water coil performance rated and certified in accordance with the current edition of AHRI standard 410.
- Standard coils supplied with 10 fins per inch.
- Allow 1.5" (38) minimum clearance for installation at coil header end.

PROJECT: Cincinnati State HPB Upgrades

ENGINEER: CMTA

DESCRIPTION: Single Duct Variable Volume

SDV-2-1/11/14/CRH/SP300/FLD/FF50/////CFM/22GA/PS/STD/WC/2L/////0.0/////630,600,650/2100,1970,1950,2160/0/0/1100/ADQ/4x6/////2000

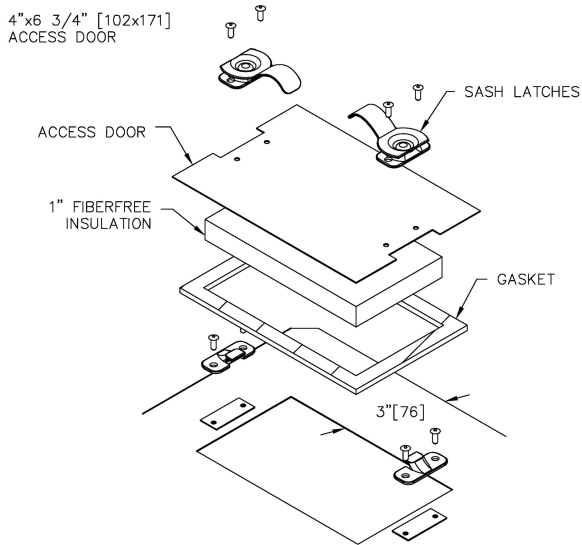
SUBMITTAL NO: 275707-A

SUBMITTAL DATE: 3/3/2025

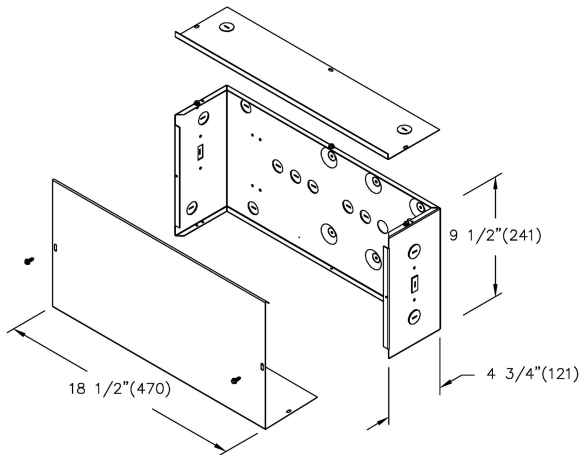
CUSTOMER: Langdon Sheet Metal

Access Door: ADQ

Insulated Access Door c/w Quarter Turn Latches



Protective Shroud

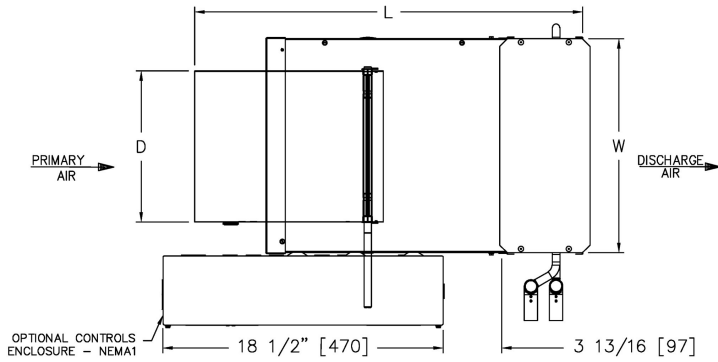


PROJECT: Cincinnati State HPB Upgrades
ENGINEER: CMTA
DESCRIPTION: Single Duct Variable Volume
 SDV-2-1//14/CRH/SP300/FLD/FF50/////CFM/22GA/PS/STD/WC/2L//////////0.0////////630,600,650/2100,1970,1950,2160/0/0/1100/ADQ/4x6/////2000

SUBMITTAL NO: 275707-A
CUSTOMER: Langdon Sheet Metal

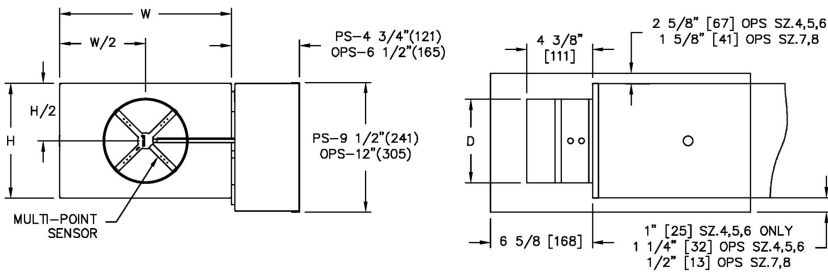
SUBMITTAL DATE: 3/3/2025

SDV Single Duct w/ Hot Water Coil



Unit Size	Casing Size	Inlet	Casing			Length
		D	W	H	L	
16	16	15 7/8	24	18	25 1/8	

Controls Type



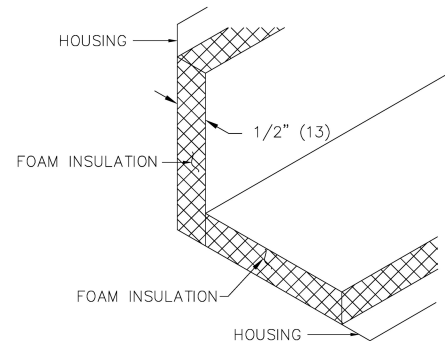
- Multi-point, center averaging airflow sensor.
- Controls enclosure will be supplied as illustrated on right hand side.
- Controls are supplied by controls contractor and field installed.
- PS - NEMA 1 controls enclosure included.
- Standard NEMA 1 controls enclosure mounting position.
- Pressure independent

Notes

- 22 Gauge zinc coated steel housing. Mechanically sealed, leak resistant construction.
- Rectangular discharge opening with slip and drive cleat duct connection.
- Assembly ETL certified to UL50.
- Units not to be used for temporary heat or ventilation during construction.
- ADQ - Bottom access door with quarter turn sash latches.
- Damper blade constructed of two layers of galvanized steel with a sandwiched peripheral gasket.
- 1/2" (13) diameter zinc coated damper shaft with position indicator.

Insulation: FF50

- Internal Insulation - Fiber Free Foam 1/2" (13mm) thick, 1.5 lb/cu.ft density, meets requirements of NFPA90A and UL 181
- R-Value=2



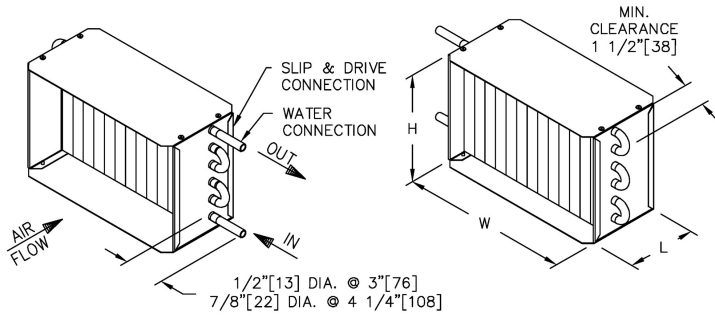
PROJECT: Cincinnati State HPB Upgrades
ENGINEER: CMTA
DESCRIPTION: Single Duct Variable Volume
 SDV-2-1/1/16/CRH/SP300/FLD/FF50/////CFM/22GA/PS/STD/WC/2L/////0.0/////710,810,1000,900/2345,2695,2700,3000/0/0/1350/ADQ/
 4x6/////2000

SUBMITTAL NO: 275707-A
CUSTOMER: Langdon Sheet Metal

SUBMITTAL DATE: 3/3/2025

Water Coil: 2L

2 Row Left Hand



Unit Size	Coil Rows	H	W	L	Coil Connection
16	2	18	24	5	7/8

*Hand of water coil connections is determined when viewed from air inlet side.

Water Coil Notes

- Fabricated from 22 gauge galvanized steel. Mechanically sealed, leak resistant construction.
- Hot water coils have copper tubes and aluminum fins with O.D. sweat connections.
- Refer to submitted terminal unit schedule for air volumes and reheat coil capacities.
- Method of venting reheat coil is to be provided by installing contractor.
- Hand of water coil connections is determined when viewed from air inlet side (RH shown above). Handing is specified at time of order.
- Configuration of coil connection varies with size & rows of coil.
- Water coil performance rated and certified in accordance with the current edition of AHRI standard 410.
- Standard coils supplied with 10 fins per inch.
- Allow 1.5" (38) minimum clearance for installation at coil header end.

PROJECT: Cincinnati State HPB Upgrades

ENGINEER: CMTA

DESCRIPTION: Single Duct Variable Volume

SDV-2-1//16/CRH/SP300/FLD/FF50/////CFM/22GA/PS/STD/WC/2L//////////0.0////////710,810,1000,900/2345,2695,2700,3000/0/0/1350/ADQ/4x6//////////2000

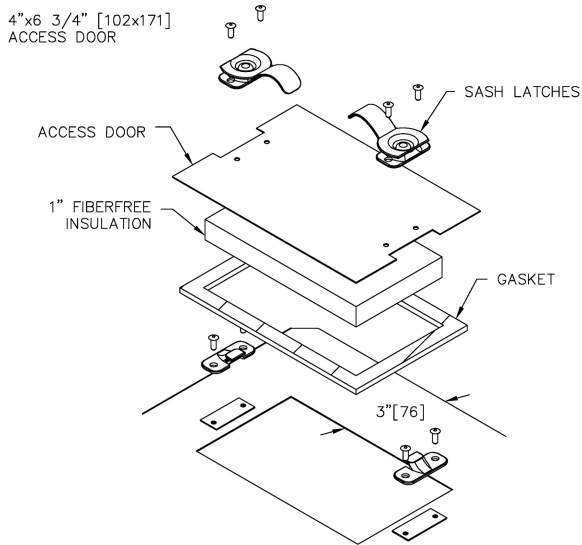
SUBMITTAL NO: 275707-A

SUBMITTAL DATE: 3/3/2025

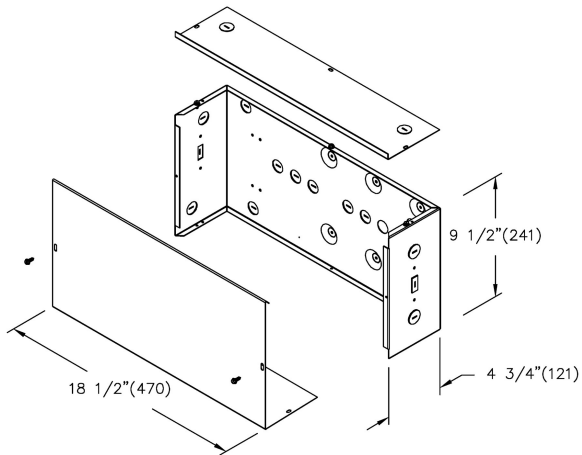
CUSTOMER: Langdon Sheet Metal

Access Door: ADQ

Insulated Access Door c/w Quarter Turn Latches



Protective Shroud

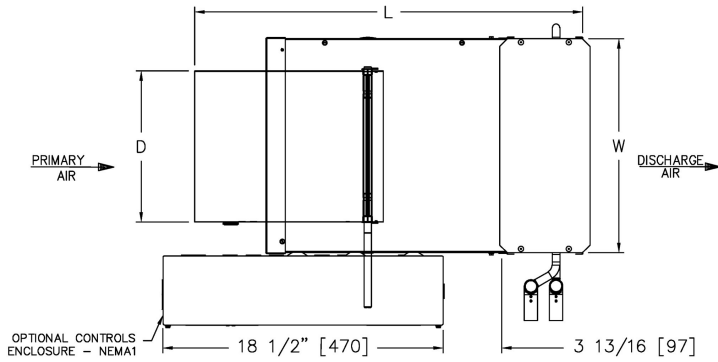


PROJECT: Cincinnati State HPB Upgrades
ENGINEER: CMTA
DESCRIPTION: Single Duct Variable Volume
 SDV-2-1//16/CRH/SP300/FLD/FF50/////CFM/22GA/PS/STD/WC/2L//////////0.0////////710,810,1000,900/2345,2695,2700,3000/0/0/1350/ADQ/
 4x6//////////2000

SUBMITTAL NO: 275707-A
CUSTOMER: Langdon Sheet Metal

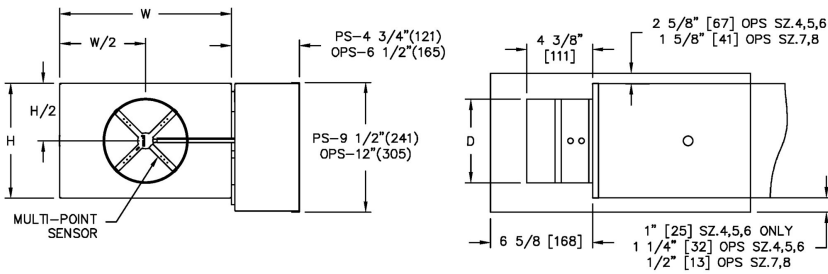
SUBMITTAL DATE: 3/3/2025

SDV Single Duct w/ Hot Water Coil



Unit Size	Casing Size	Inlet	Casing		Length
		D	W	H	L
10	10	9 7/8	14	12 1/2	25 1/8

Controls Type



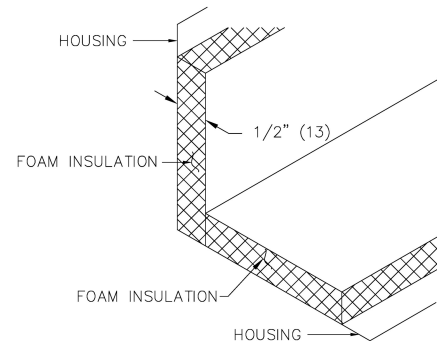
- Multi-point, center averaging airflow sensor.
- Controls enclosure will be supplied as illustrated on right hand side.
- Controls are supplied by controls contractor and field installed.
- PS - NEMA 1 controls enclosure included.
- Standard NEMA 1 controls enclosure mounting position.
- Pressure independent

Notes

- 22 Gauge zinc coated steel housing. Mechanically sealed, leak resistant construction.
- Rectangular discharge opening with slip and drive cleat duct connection.
- Assembly ETL certified to UL50.
- Units not to be used for temporary heat or ventilation during construction.
- ADQ - Bottom access door with quarter turn sash latches.
- Damper blade constructed of two layers of galvanized steel with a sandwiched peripheral gasket.
- 1/2" (13) diameter zinc coated damper shaft with position indicator.

Insulation: FF50

- Internal Insulation - Fiber Free Foam 1/2" (13mm) thick, 1.5 lb/cu.ft density, meets requirements of NFPA90A and UL 181
- R-Value=2



PROJECT: Cincinnati State HPB Upgrades

ENGINEER: CMTA

DESCRIPTION: Single Duct Variable Volume

SDV-2-1//10/CRH/SP300/FLD/FF50/////CFM/22GA/PS/STD/NWC/2L/////0.0/////270,250,200,300,290,450,280/890,750,650,990,950,830,800,810,880,1000,920/0/0/500,400,550,600/ADQ/4x6/////2000

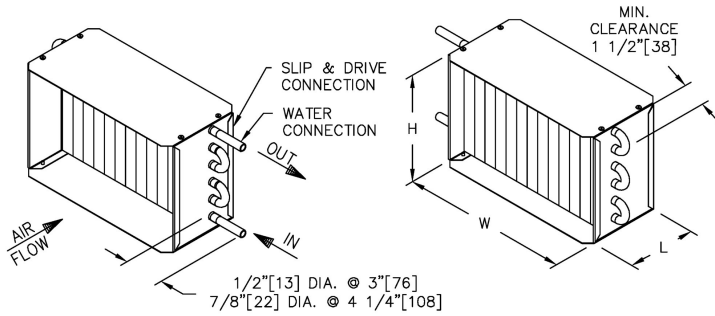
SUBMITTAL NO: 275707-A

CUSTOMER: Langdon Sheet Metal

SUBMITTAL DATE: 3/3/2025

Water Coil: 2L

2 Row Left Hand



Unit Size	Coil Rows	H	W	L	Coil Connection
10	2	12 1/2	14	5	7/8

*Hand of water coil connections is determined when viewed from air inlet side.

Water Coil Notes

- Fabricated from 22 gauge galvanized steel. Mechanically sealed, leak resistant construction.
- Hot water coils have copper tubes and aluminum fins with O.D. sweat connections.
- Refer to submitted terminal unit schedule for air volumes and reheat coil capacities.
- Method of venting reheat coil is to be provided by installing contractor.
- Hand of water coil connections is determined when viewed from air inlet side (RH shown above). Handing is specified at time of order.
- Configuration of coil connection varies with size & rows of coil.
- Water coil performance rated and certified in accordance with the current edition of AHRI standard 410.
- Standard coils supplied with 10 fins per inch.
- Allow 1.5" (38) minimum clearance for installation at coil header end.

PROJECT: Cincinnati State HPB Upgrades

ENGINEER: CMTA

DESCRIPTION: Single Duct Variable Volume

SDV-2-1/1/10/CRH/SP300/FLD/FF50/////CFM/22GA/PS/STD/WC/2L//////////0.0////////270,250,200,300,290,450,280/890,750,650,990,950,830,800,810,880,1000,920/0/0/500,400,550,600/ADQ/4x6//////////2000

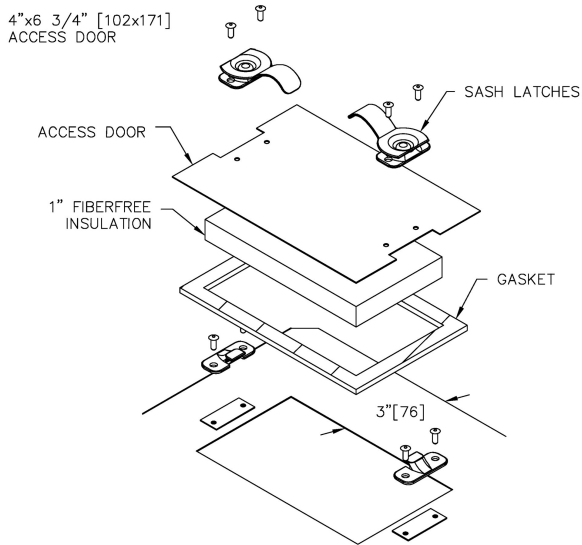
SUBMITTAL NO: 275707-A

SUBMITTAL DATE: 3/3/2025

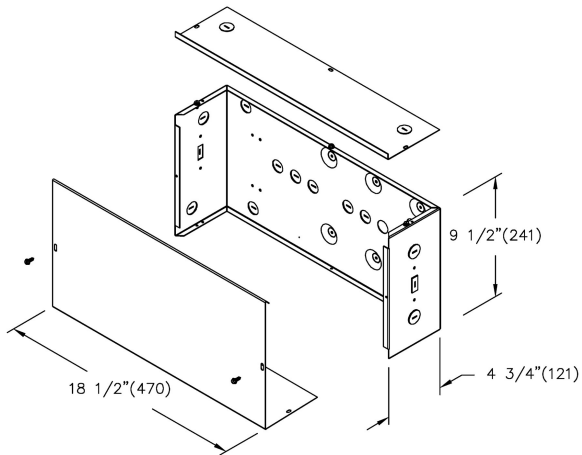
CUSTOMER: Langdon Sheet Metal

Access Door: ADQ

Insulated Access Door c/w Quarter Turn Latches



Protective Shroud



PROJECT: Cincinnati State HPB Upgrades

ENGINEER: CMTA

DESCRIPTION: Single Duct Variable Volume

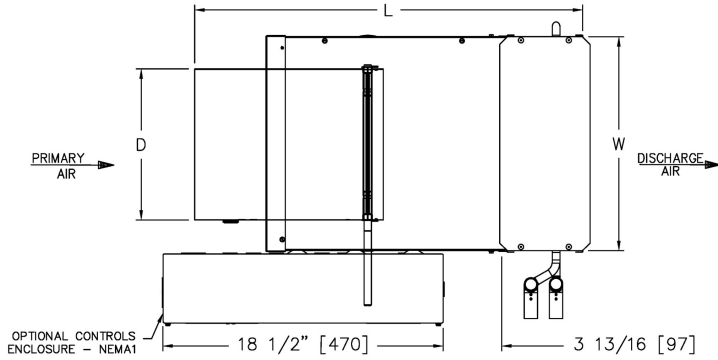
SDV-2-1//10/CRH/SP300/FLD/FF50/////CFM/22GA/PS/STD/WC/2L//////////0.0////////270,250,200,300,290,450,280/890,750,650,990,950,830,800,810,880,1000,920/0/0/500,400,550,600/ADQ/4x6//////////2000

SUBMITTAL NO: 275707-A

SUBMITTAL DATE: 3/3/2025

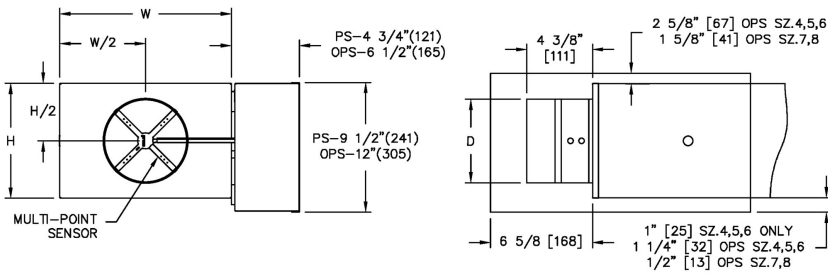
CUSTOMER: Langdon Sheet Metal

SDV Single Duct w/ Hot Water Coil



Unit Size	Casing Size	Inlet	Casing			Length
		D	W	H	L	
8	8	7 7/8	12	10	25 1/8	

Controls Type



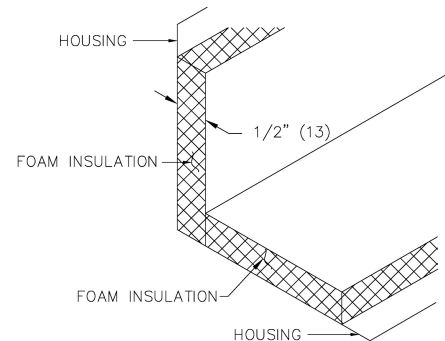
- Multi-point, center averaging airflow sensor.
- Controls enclosure will be supplied as illustrated on right hand side.
- Controls are supplied by controls contractor and field installed.
- PS - NEMA 1 controls enclosure included.
- Standard NEMA 1 controls enclosure mounting position.
- Pressure independent

Notes

- 22 Gauge zinc coated steel housing. Mechanically sealed, leak resistant construction.
- Rectangular discharge opening with slip and drive cleat duct connection.
- Assembly ETL certified to UL50.
- Units not to be used for temporary heat or ventilation during construction.
- ADQ - Bottom access door with quarter turn sash latches.
- Damper blade constructed of two layers of galvanized steel with a sandwiched peripheral gasket.
- 1/2" (13) diameter zinc coated damper shaft with position indicator.

Insulation: FF50

- Internal Insulation - Fiber Free Foam 1/2" (13mm) thick, 1.5 lb/cu.ft density, meets requirements of NFPA90A and UL 181
- R-Value=2



PROJECT: Cincinnati State HPB Upgrades

ENGINEER: CMTA

DESCRIPTION: Single Duct Variable Volume

SDV-2-1/11/8/CRH/SP300/FLD/FF50/CFM/22GA/PS/STD/WC/2L/0.0/150,130,200,160,250,170,210,270,350/430,420,630,510,700,560,690,550,525,350/0/0/350,240,400/ADQ/4x6/2000

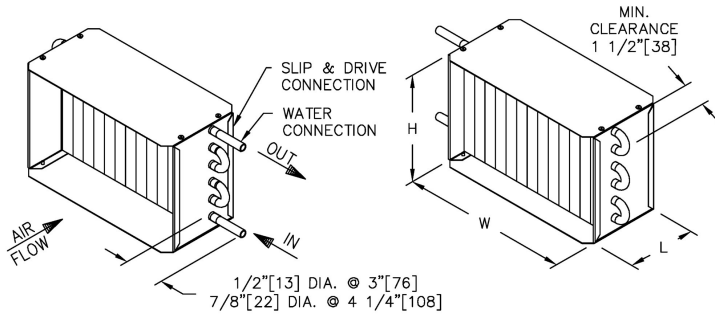
SUBMITTAL NO: 275707-A

CUSTOMER: Langdon Sheet Metal

SUBMITTAL DATE: 3/3/2025

Water Coil: 2L

2 Row Left Hand



Unit Size	Coil Rows	H	W	L	Coil Connection
8	2	10	12	5	7/8

*Hand of water coil connections is determined when viewed from air inlet side.

Water Coil Notes

- Fabricated from 22 gauge galvanized steel. Mechanically sealed, leak resistant construction.
- Hot water coils have copper tubes and aluminum fins with O.D. sweat connections.
- Refer to submitted terminal unit schedule for air volumes and reheat coil capacities.
- Method of venting reheat coil is to be provided by installing contractor.
- Hand of water coil connections is determined when viewed from air inlet side (RH shown above). Handing is specified at time of order.
- Configuration of coil connection varies with size & rows of coil.
- Water coil performance rated and certified in accordance with the current edition of AHRI standard 410.
- Standard coils supplied with 10 fins per inch.
- Allow 1.5" (38) minimum clearance for installation at coil header end.

PROJECT: Cincinnati State HPB Upgrades

ENGINEER: CMTA

DESCRIPTION: Single Duct Variable Volume

SDV-2-1///8/CRH/SP300/FLD/FF50/////CFM/22GA/PS/STD/WC/2L//////////0.0////////150,130,200,160,250,170,210,270,350/430,420,630,510,700,560,690,550,525,350/0/0/350,240,400/ADQ/4x6//////////2000

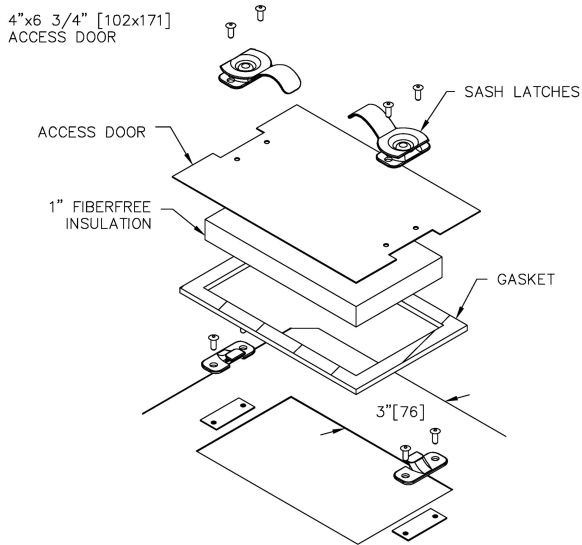
SUBMITTAL NO: 275707-A

SUBMITTAL DATE: 3/3/2025

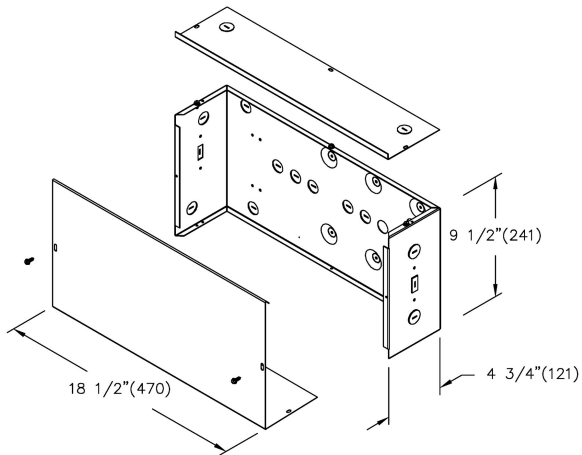
CUSTOMER: Langdon Sheet Metal

Access Door: ADQ

Insulated Access Door c/w Quarter Turn Latches



Protective Shroud



PROJECT: Cincinnati State HPB Upgrades

ENGINEER: CMTA

DESCRIPTION: Single Duct Variable Volume

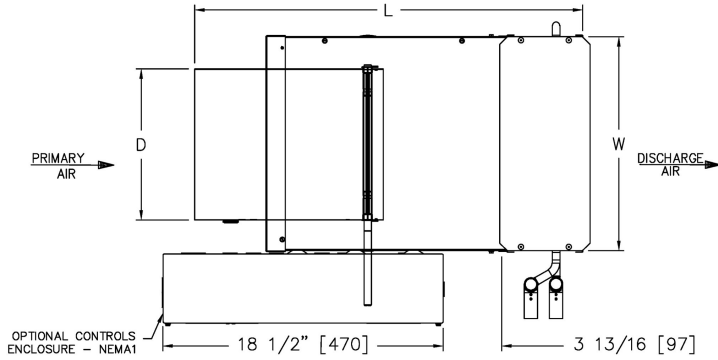
SDV-2-1//1/8/CRH/SP300/FLD/FF50/////CFM/22GA/PS/STD//WC/2L//////////0.0////////150,130,200,160,250,170,210,270,350/430,420,630,510,700,560,690,550,525,350/0/0/350,240,400/ADQ/4x6//////////2000

SUBMITTAL NO: 275707-A

SUBMITTAL DATE: 3/3/2025

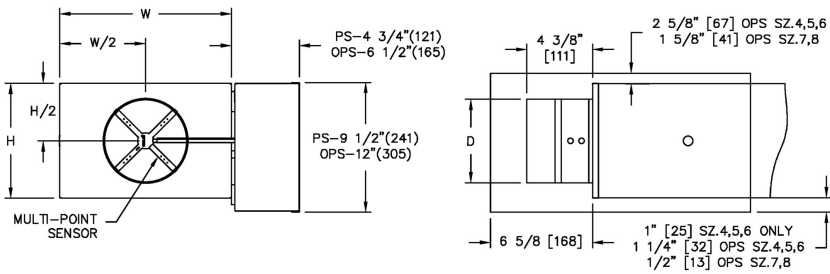
CUSTOMER: Langdon Sheet Metal

SDV Single Duct w/ Hot Water Coil



Unit Size	Casing Size	Inlet	Casing		Length
		D	W	H	L
6	8	5 7/8	12	10	25 1/8

Controls Type



- Multi-point, center averaging airflow sensor.
- Controls enclosure will be supplied as illustrated on right hand side.
- Controls are supplied by controls contractor and field installed.
- PS - NEMA 1 controls enclosure included.
- Standard NEMA 1 controls enclosure mounting position.
- Pressure independent

PROJECT: Cincinnati State HPB Upgrades

ENGINEER: CMTA

DESCRIPTION: Single Duct Variable Volume

SDV-2-1//1/6/CRH/SP300/FLD/FF50//CFM/22GA/PS/STD//WC/2L//OS//0.0//150,140/450,440/0/0/350/ADQ/4x6//2000

SUBMITTAL NO: 275707-A

SUBMITTAL DATE: 3/3/2025

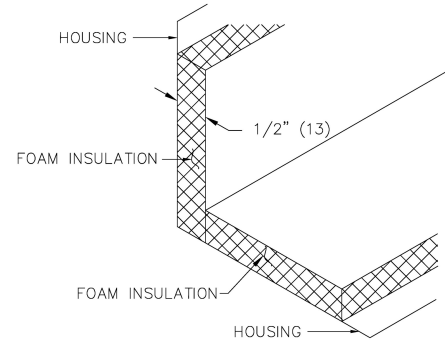
CUSTOMER: Langdon Sheet Metal

Notes

- 22 Gauge zinc coated steel housing. Mechanically sealed, leak resistant construction.
- Rectangular discharge opening with slip and drive cleat duct connection.
- Assembly ETL certified to UL50.
- Units not to be used for temporary heat or ventilation during construction.
- ADQ - Bottom access door with quarter turn sash latches.
- Damper blade constructed of two layers of galvanized steel with a sandwiched peripheral gasket.
- 1/2" (13) diameter zinc coated damper shaft with position indicator.
- OS - Oversized option included. All accessories to match oversize casing.

Insulation: FF50

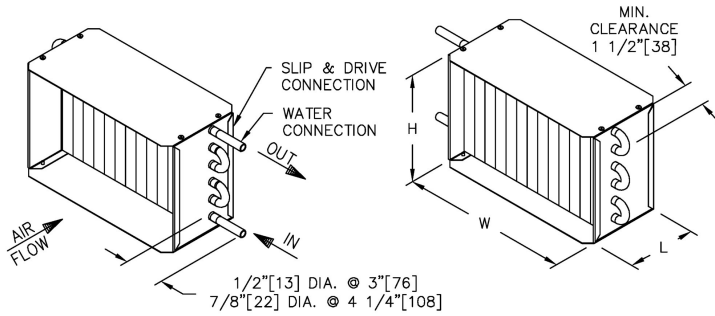
- Internal Insulation - Fiber Free Foam 1/2" (13mm) thick, 1.5 lb/cu.ft density, meets requirements of NFPA90A and UL 181
- R-Value=2



PROJECT: Cincinnati State HPB Upgrades **SUBMITTAL NO:** 275707-A **SUBMITTAL DATE:** 3/3/2025
ENGINEER: CMTA **CUSTOMER:** Langdon Sheet Metal
DESCRIPTION: Single Duct Variable Volume
 SDV-2-1//1/6/CRH/SP300/FLD/FF50/////CFM/22GA/PS/STD//WC/2L//OS/////0.0/////150,140/450,440/0/0/350/ADQ/4x6/////2000

Water Coil: 2L

2 Row Left Hand



Unit Size	Coil Rows	H	W	L	Coil Connection
6	2	10	12	5	7/8

*Hand of water coil connections is determined when viewed from air inlet side.

Water Coil Notes

- Fabricated from 22 gauge galvanized steel. Mechanically sealed, leak resistant construction.
- Hot water coils have copper tubes and aluminum fins with O.D. sweat connections.
- Refer to submitted terminal unit schedule for air volumes and reheat coil capacities.
- Method of venting reheat coil is to be provided by installing contractor.
- Hand of water coil connections is determined when viewed from air inlet side (RH shown above). Handing is specified at time of order.
- Configuration of coil connection varies with size & rows of coil.
- Water coil performance rated and certified in accordance with the current edition of AHRI standard 410.
- Standard coils supplied with 10 fins per inch.
- Allow 1.5" (38) minimum clearance for installation at coil header end.

PROJECT: Cincinnati State HPB Upgrades

ENGINEER: CMTA

DESCRIPTION: Single Duct Variable Volume

SDV-2-1//1/6/CRH/SP300/FLD/FF50//CFM/22GA/PS/STD//WC/2L//OS//0.0//150,140/450,440/0/0/350/ADQ/4x6//2000

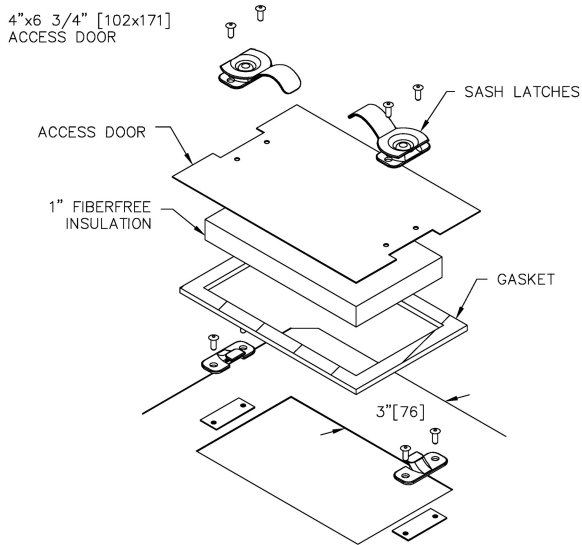
SUBMITTAL NO: 275707-A

SUBMITTAL DATE: 3/3/2025

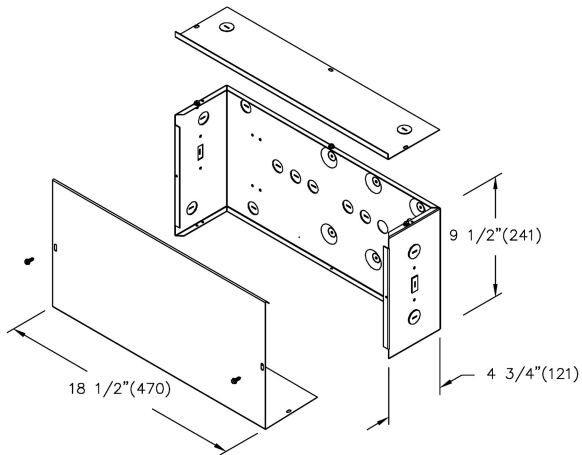
CUSTOMER: Langdon Sheet Metal

Access Door: ADQ

Insulated Access Door c/w Quarter Turn Latches



Protective Shroud

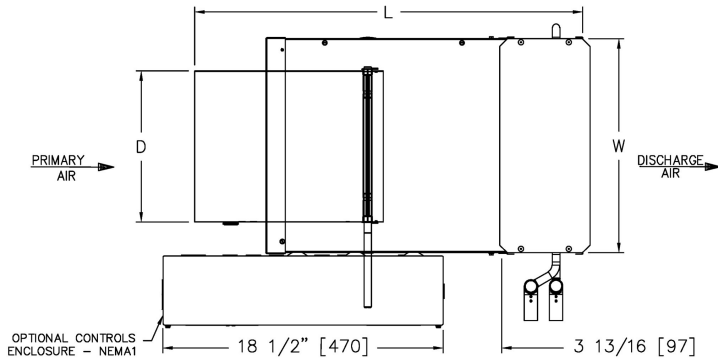


PROJECT: Cincinnati State HPB Upgrades
ENGINEER: CMTA
DESCRIPTION: Single Duct Variable Volume
 SDV-2-1//1/6/CRH/SP300/FLD/FF50/////CFM//22GA/PS/STD//WC/2L//OS/////0.0/////150,140/450,440/0/0/350/ADQ/4x6/////2000

SUBMITTAL NO: 275707-A
CUSTOMER: Langdon Sheet Metal

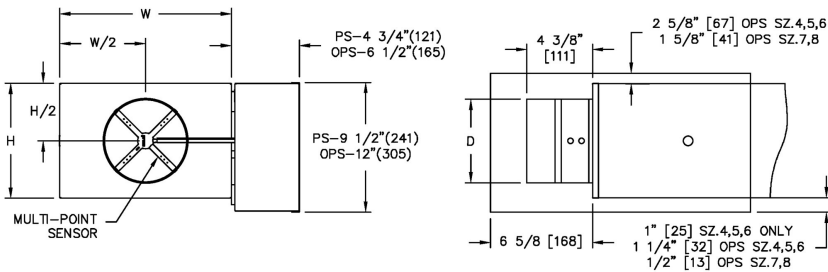
SUBMITTAL DATE: 3/3/2025

SDV Single Duct w/ Hot Water Coil



Unit Size	Casing Size	Inlet	Casing		Length
		D	W	H	L
12	12	11 7/8	16	15	25 1/8

Controls Type



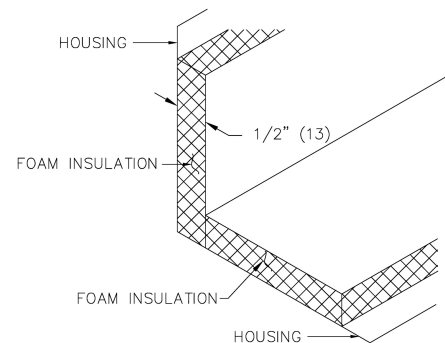
- Multi-point, center averaging airflow sensor.
- Controls enclosure will be supplied as illustrated on right hand side.
- Controls are supplied by controls contractor and field installed.
- PS - NEMA 1 controls enclosure included.
- Standard NEMA 1 controls enclosure mounting position.
- Pressure independent

Notes

- 22 Gauge zinc coated steel housing. Mechanically sealed, leak resistant construction.
- Rectangular discharge opening with slip and drive cleat duct connection.
- Assembly ETL certified to UL50.
- Units not to be used for temporary heat or ventilation during construction.
- ADQ - Bottom access door with quarter turn sash latches.
- Damper blade constructed of two layers of galvanized steel with a sandwiched peripheral gasket.
- 1/2" (13) diameter zinc coated damper shaft with position indicator.

Insulation: FF50

- Internal Insulation - Fiber Free Foam 1/2" (13mm) thick, 1.5 lb/cu.ft density, meets requirements of NFPA90A and UL 181
- R-Value=2

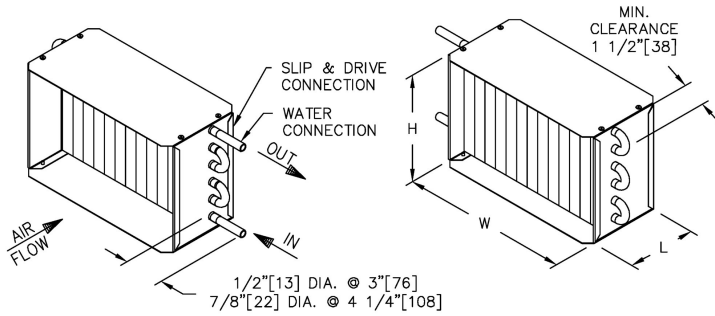


PROJECT: Cincinnati State HPB Upgrades
ENGINEER: CMTA
DESCRIPTION: Single Duct Variable Volume
 SDV-2-1/11/12/CRH/SP300/FLD/FF50/////CFM/22GA/PS/STD/WC/2L//////////0.0////////400,420/1220,1400/0/0/820,700/ADQ/4x6//////////2000

SUBMITTAL NO: 275707-A
CUSTOMER: Langdon Sheet Metal
SUBMITTAL DATE: 3/3/2025

Water Coil: 2L

2 Row Left Hand



Unit Size	Coil Rows	H	W	L	Coil Connection
12	2	15	16	5	7/8

*Hand of water coil connections is determined when viewed from air inlet side.

Water Coil Notes

- Fabricated from 22 gauge galvanized steel. Mechanically sealed, leak resistant construction.
- Hot water coils have copper tubes and aluminum fins with O.D. sweat connections.
- Refer to submitted terminal unit schedule for air volumes and reheat coil capacities.
- Method of venting reheat coil is to be provided by installing contractor.
- Hand of water coil connections is determined when viewed from air inlet side (RH shown above). Handing is specified at time of order.
- Configuration of coil connection varies with size & rows of coil.
- Water coil performance rated and certified in accordance with the current edition of AHRI standard 410.
- Standard coils supplied with 10 fins per inch.
- Allow 1.5" (38) minimum clearance for installation at coil header end.

PROJECT: Cincinnati State HPB Upgrades

ENGINEER: CMTA

DESCRIPTION: Single Duct Variable Volume

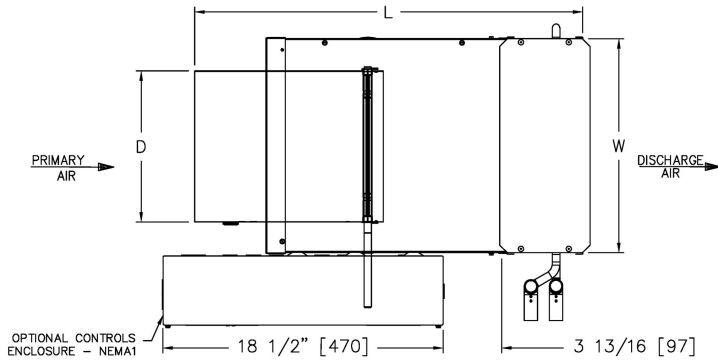
SDV-2-1/11/12/CRH/SP300/FLD/FF50/////CFM/22GA/PS/STD/WC/2L//////////0.0////////400,420/1220,1400/0/0/820,700/ADQ/4x6//////////2000

SUBMITTAL NO: 275707-A

SUBMITTAL DATE: 3/3/2025

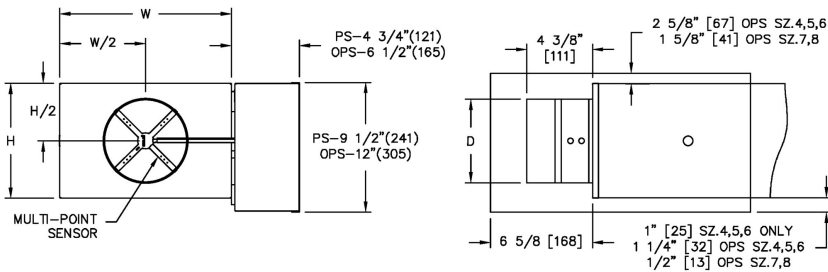
CUSTOMER: Langdon Sheet Metal

SDV Single Duct w/ Hot Water Coil



Unit Size	Casing Size	Inlet	Casing		Length
		D	W	H	L
6	6	5 7/8	12	8	25 1/8

Controls Type



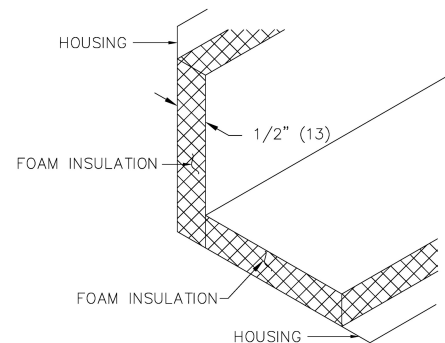
- Multi-point, center averaging airflow sensor.
- Controls enclosure will be supplied as illustrated on right hand side.
- Controls are supplied by controls contractor and field installed.
- PS - NEMA 1 controls enclosure included.
- Standard NEMA 1 controls enclosure mounting position.
- Pressure independent

Notes

- 22 Gauge zinc coated steel housing. Mechanically sealed, leak resistant construction.
- Rectangular discharge opening with slip and drive cleat duct connection.
- Assembly ETL certified to UL50.
- Units not to be used for temporary heat or ventilation during construction.
- ADQ - Bottom access door with quarter turn sash latches.
- Damper blade constructed of two layers of galvanized steel with a sandwiched peripheral gasket.
- 1/2" (13) diameter zinc coated damper shaft with position indicator.

Insulation: FF50

- Internal Insulation - Fiber Free Foam 1/2" (13mm) thick, 1.5 lb/cu.ft density, meets requirements of NFPA90A and UL 181
- R-Value=2

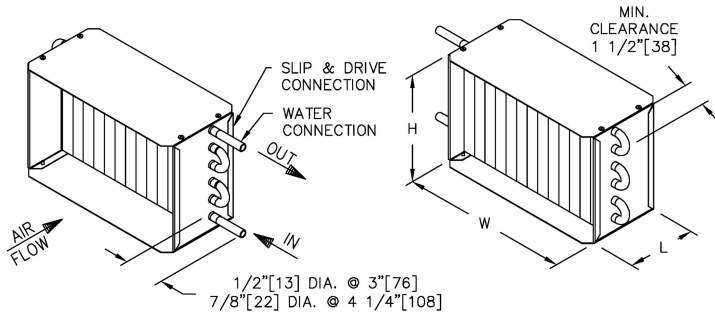


PROJECT: Cincinnati State HPB Upgrades
ENGINEER: CMTA
DESCRIPTION: Single Duct Variable Volume
 SDV-2-1//1/6/CRH/SP300/FLD/FF50//CFM/22GA/PS/STD//WC/2L//0.0//100,150,140,110,130/200,440,450,320,355,375/0/0/200,240,225,160,250/ADQ/4x6//2000

SUBMITTAL NO: 275707-A
SUBMITTAL DATE: 3/3/2025
CUSTOMER: Langdon Sheet Metal

Water Coil: 2L

2 Row Left Hand



Unit Size	Coil Rows	H	W	L	Coil Connection
6	2	8	12	5	7/8

*Hand of water coil connections is determined when viewed from air inlet side.

Water Coil Notes

- Fabricated from 22 gauge galvanized steel. Mechanically sealed, leak resistant construction.
- Hot water coils have copper tubes and aluminum fins with O.D. sweat connections.
- Refer to submitted terminal unit schedule for air volumes and reheat coil capacities.
- Method of venting reheat coil is to be provided by installing contractor.
- Hand of water coil connections is determined when viewed from air inlet side (RH shown above). Handing is specified at time of order.
- Configuration of coil connection varies with size & rows of coil.
- Water coil performance rated and certified in accordance with the current edition of AHRI standard 410.
- Standard coils supplied with 10 fins per inch.
- Allow 1.5" (38) minimum clearance for installation at coil header end.

PROJECT: Cincinnati State HPB Upgrades

ENGINEER: CMTA

DESCRIPTION: Single Duct Variable Volume

SDV-2-1//1/6/CRH/SP300/FLD/FF50/////CFM/22GA/PS/STD//WC/2L//////////0.0////////100,150,140,110,130/200,440,450,320,355,375/0/0/200,240,225,160,250/ADQ/4x6//////////2000

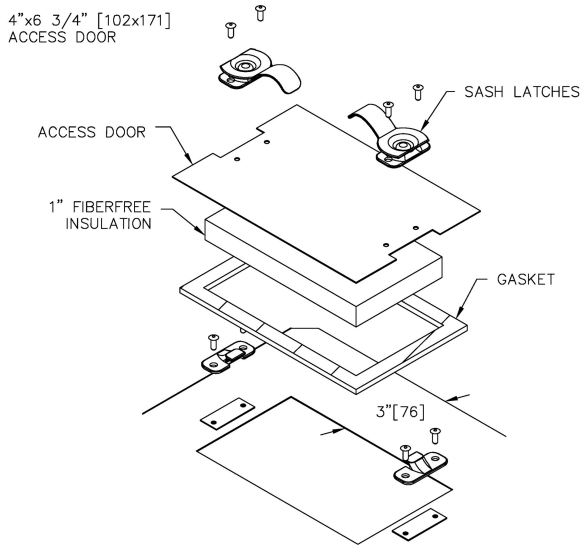
SUBMITTAL NO: 275707-A

SUBMITTAL DATE: 3/3/2025

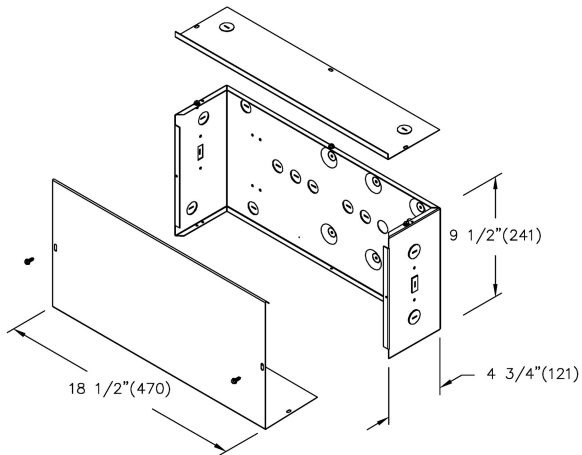
CUSTOMER: Langdon Sheet Metal

Access Door: ADQ

Insulated Access Door c/w Quarter Turn Latches



Protective Shroud



PROJECT: Cincinnati State HPB Upgrades

ENGINEER: CMTA

DESCRIPTION: Single Duct Variable Volume

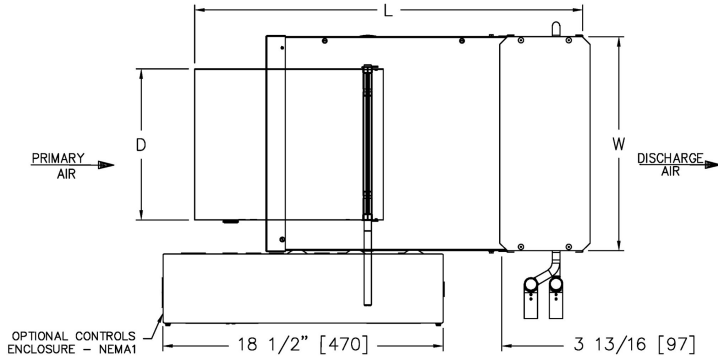
SDV-2-1//1/6/CRH/SP300/FLD/FF50/////CFM/22GA/PS/STD//WC/2L//////////0.0/////////100,150,140,110,130/200,440,450,320,355,375/0/0/200,240,225,160,250/ADQ/4x6//////////2000

SUBMITTAL NO: 275707-A

SUBMITTAL DATE: 3/3/2025

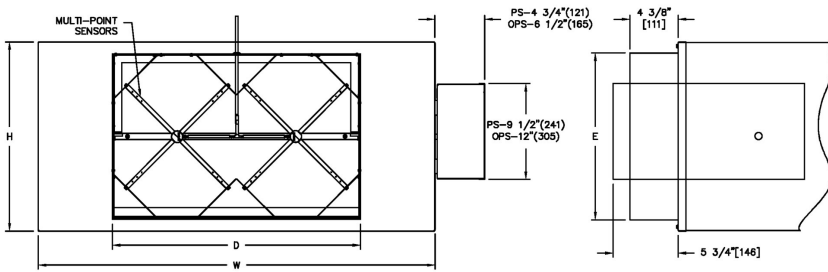
CUSTOMER: Langdon Sheet Metal

SDV Single Duct w/ Hot Water Coil



Unit Size	Casing Size	Inlet		Casing		Length
		D	E	W	H	L
24x16	24x16	23 7/8	15 7/8	38	18	25 1/8

Controls Type



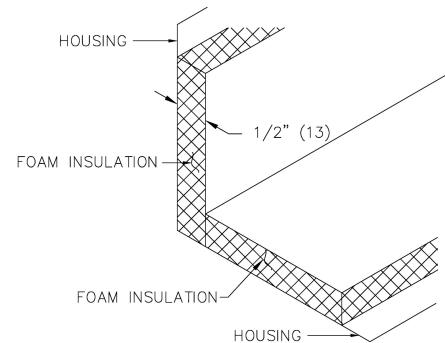
- Multi-point, center averaging airflow sensor.
- Controls enclosure will be supplied as illustrated on right hand side.
- Controls are supplied by controls contractor and field installed.
- PS - NEMA 1 controls enclosure included.
- Standard NEMA 1 controls enclosure mounting position.
- Pressure independent

Notes

- 22 Gauge zinc coated steel housing. Mechanically sealed, leak resistant construction.
- Rectangular discharge opening with slip and drive cleat duct connection.
- Assembly ETL certified to UL50.
- Units not to be used for temporary heat or ventilation during construction.
- ADQ - Bottom access door with quarter turn sash latches.
- Damper blade constructed of two layers of galvanized steel with a sandwiched peripheral gasket.
- 1/2" (13) diameter zinc coated damper shaft with position indicator.

Insulation: FF50

- Internal Insulation - Fiber Free Foam 1/2" (13mm) thick, 1.5 lb/cu.ft density, meets requirements of NFPA90A and UL 181
- R-Value=2

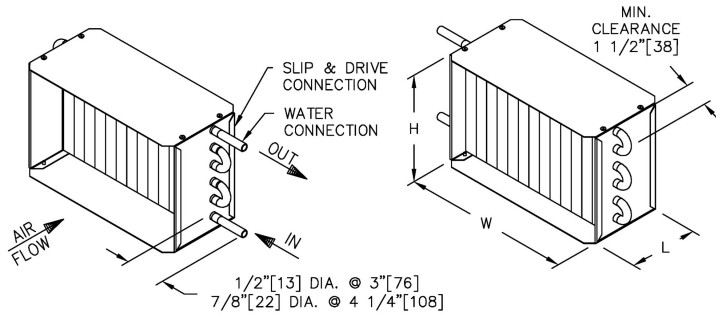


PROJECT: Cincinnati State HPB Upgrades
ENGINEER: CMTA
DESCRIPTION: Single Duct Variable Volume
 SDV-2-1///24x16/CRH/SP300/FLD/FF50/////CFM/22GA/PS/STD/WC/2L//////////0.0////////1100/3400,3600/0/0/2200/ADQ/4x6//////////20
 00

SUBMITTAL NO: 275707-A
CUSTOMER: Langdon Sheet Metal
SUBMITTAL DATE: 3/3/2025

Water Coil: 2L

2 Row Left Hand



Unit Size	Coil Rows	H	W	L	Coil Connection
24x16	2	18	38	5	7/8

*Hand of water coil connections is determined when viewed from air inlet side.

Water Coil Notes

- Fabricated from 22 gauge galvanized steel. Mechanically sealed, leak resistant construction.
- Hot water coils have copper tubes and aluminum fins with O.D. sweat connections.
- Refer to submitted terminal unit schedule for air volumes and reheat coil capacities.
- Method of venting reheat coil is to be provided by installing contractor.
- Hand of water coil connections is determined when viewed from air inlet side (RH shown above). Handing is specified at time of order.
- Configuration of coil connection varies with size & rows of coil.
- Water coil performance rated and certified in accordance with the current edition of AHRI standard 410.
- Standard coils supplied with 10 fins per inch.
- Allow 1.5" (38) minimum clearance for installation at coil header end.

PROJECT: Cincinnati State HPB Upgrades

ENGINEER: CMTA

DESCRIPTION: Single Duct Variable Volume

SDV-2-1///24x16/CRH/SP300/FLD/FF50/////CFM/22GA/PS/STD/WC/2L//////////0.0////////1100/3400,3600/0/0/2200/ADQ/4x6//////////2000

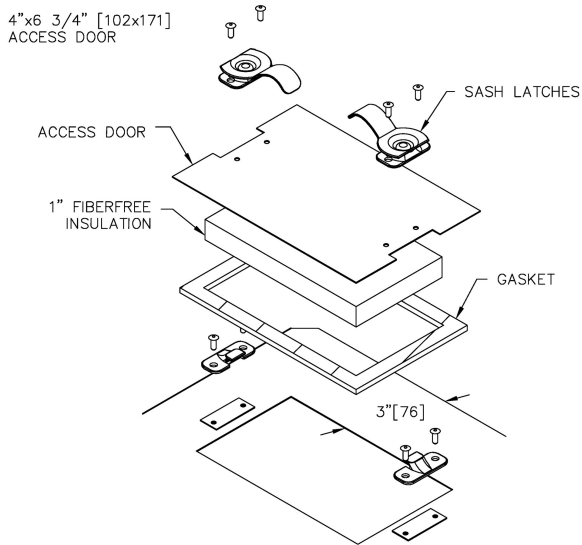
SUBMITTAL NO: 275707-A

SUBMITTAL DATE: 3/3/2025

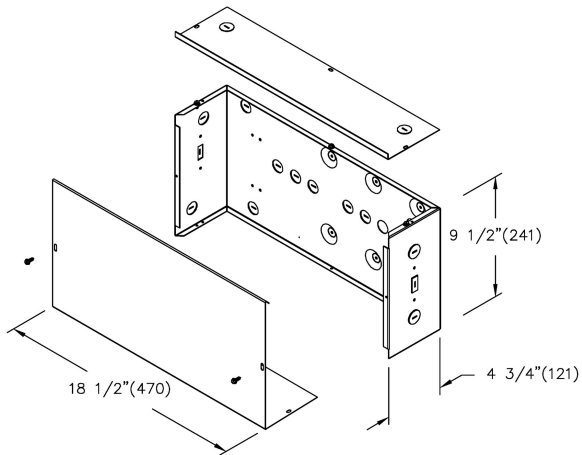
CUSTOMER: Langdon Sheet Metal

Access Door: ADQ

Insulated Access Door c/w Quarter Turn Latches



Protective Shroud



PROJECT: Cincinnati State HPB Upgrades

ENGINEER: CMTA

DESCRIPTION: Single Duct Variable Volume

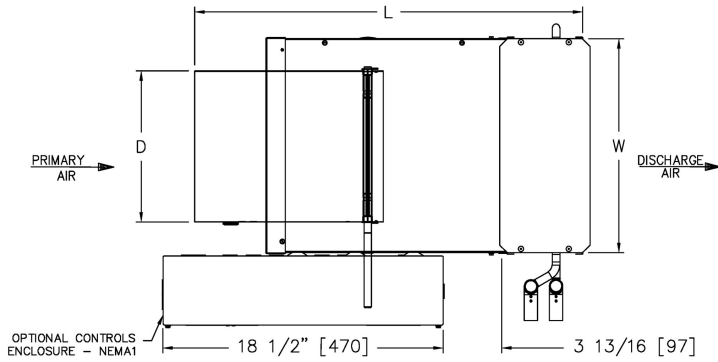
SDV-2-1//1/24x16/CRH/SP300/FLD/FF50////CFM/22GA/PS/STD/WC/2L//////////0.0////////1100/3400,3600/0/0/2200/ADQ/4x6//////////2000

SUBMITTAL NO: 275707-A

SUBMITTAL DATE: 3/3/2025

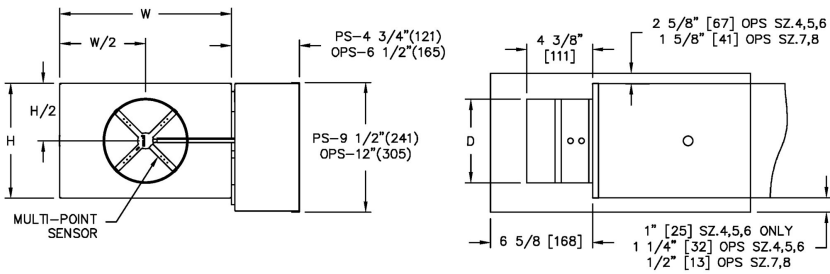
CUSTOMER: Langdon Sheet Metal

SDV Single Duct w/ Hot Water Coil



Unit Size	Casing Size	Inlet	Casing		Length
		D	W	H	L
10	12	9 7/8	16	15	25 1/8

Controls Type



- Multi-point, center averaging airflow sensor.
- Controls enclosure will be supplied as illustrated on right hand side.
- Controls are supplied by controls contractor and field installed.
- PS - NEMA 1 controls enclosure included.
- Standard NEMA 1 controls enclosure mounting position.
- Pressure independent

PROJECT: Cincinnati State HPB Upgrades

ENGINEER: CMTA

DESCRIPTION: Single Duct Variable Volume

SDV-2-1//10/CRH/SP300/FLD/FF50////CFM/22GA/PS/STD/WC/2L//OS//////////0.0////////600/1000/0/0/800/ADQ/4x6//////////2000

SUBMITTAL NO: 275707-A

SUBMITTAL DATE: 3/3/2025

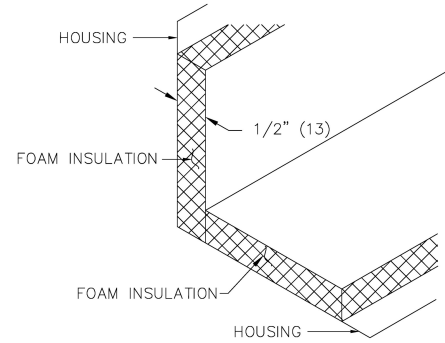
CUSTOMER: Langdon Sheet Metal

Notes

- 22 Gauge zinc coated steel housing. Mechanically sealed, leak resistant construction.
- Rectangular discharge opening with slip and drive cleat duct connection.
- Assembly ETL certified to UL50.
- Units not to be used for temporary heat or ventilation during construction.
- ADQ - Bottom access door with quarter turn sash latches.
- Damper blade constructed of two layers of galvanized steel with a sandwiched peripheral gasket.
- 1/2" (13) diameter zinc coated damper shaft with position indicator.
- OS - Oversized option included. All accessories to match oversize casing.

Insulation: FF50

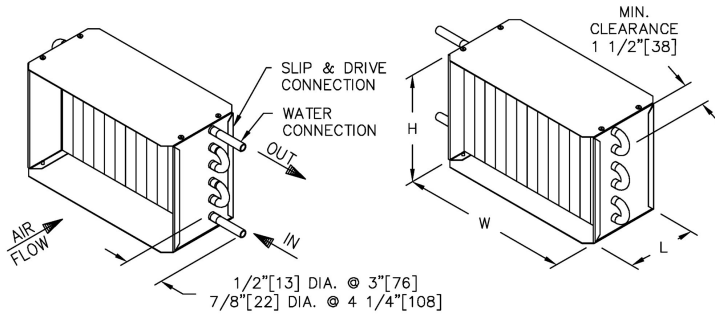
- Internal Insulation - Fiber Free Foam 1/2" (13mm) thick, 1.5 lb/cu.ft density, meets requirements of NFPA90A and UL 181
- R-Value=2



PROJECT: Cincinnati State HPB Upgrades **SUBMITTAL NO:** 275707-A **SUBMITTAL DATE:** 3/3/2025
ENGINEER: CMTA **CUSTOMER:** Langdon Sheet Metal
DESCRIPTION: Single Duct Variable Volume
SDV-2-1//10/CRH/SP300/FLD/FF50/////CFM/22GA/PS/STD/WC/2L//OS//////////0.0////////600/1000/0/0/800/ADQ/4x6//////////2000

Water Coil: 2L

2 Row Left Hand



Unit Size	Coil Rows	H	W	L	Coil Connection
10	2	15	16	5	7/8

*Hand of water coil connections is determined when viewed from air inlet side.

Water Coil Notes

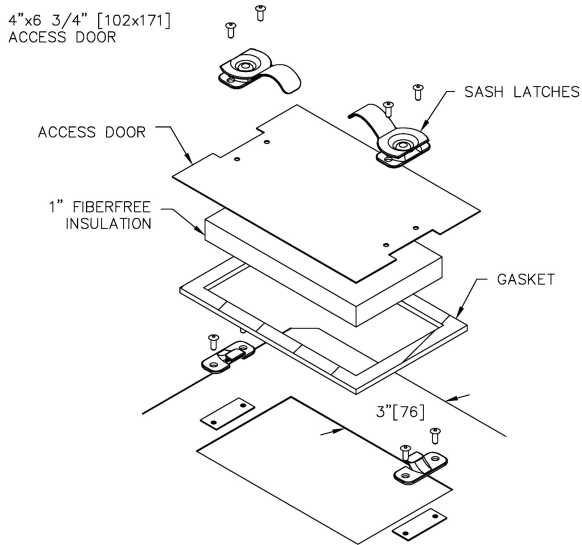
- Fabricated from 22 gauge galvanized steel. Mechanically sealed, leak resistant construction.
- Hot water coils have copper tubes and aluminum fins with O.D. sweat connections.
- Refer to submitted terminal unit schedule for air volumes and reheat coil capacities.
- Method of venting reheat coil is to be provided by installing contractor.
- Hand of water coil connections is determined when viewed from air inlet side (RH shown above). Handing is specified at time of order.
- Configuration of coil connection varies with size & rows of coil.
- Water coil performance rated and certified in accordance with the current edition of AHRI standard 410.
- Standard coils supplied with 10 fins per inch.
- Allow 1.5" (38) minimum clearance for installation at coil header end.

PROJECT: Cincinnati State HPB Upgrades
ENGINEER: CMTA
DESCRIPTION: Single Duct Variable Volume
 SDV-2-1/11/10/CRH/SP300/FLD/FF50/////CFM/22GA/PS/STD/WC/2L/OS//////////0.0////////600/1000/0/0/800/ADQ/4x6//////////2000

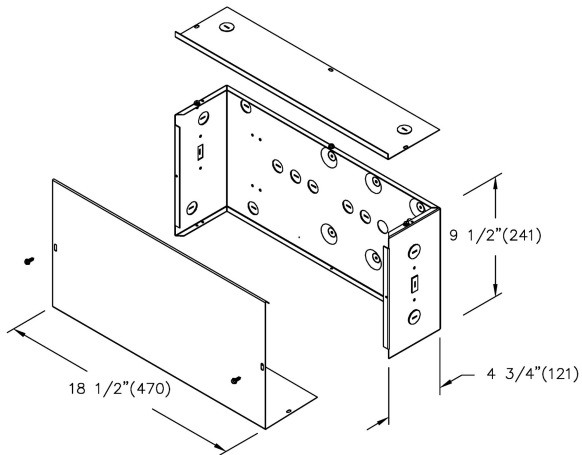
SUBMITTAL NO: 275707-A
CUSTOMER: Langdon Sheet Metal
SUBMITTAL DATE: 3/3/2025

Access Door: ADQ

Insulated Access Door c/w Quarter Turn Latches



Protective Shroud



PROJECT: Cincinnati State HPB Upgrades
ENGINEER: CMTA
DESCRIPTION: Single Duct Variable Volume
 SDV-2-1//10/CRH/SP300/FLD/FF50/////CFM/22GA/PS/STD/WC/2L//OS//////////0.0////////600/1000/0/0/800/ADQ/4x6//////////2000

SUBMITTAL NO: 275707-A
CUSTOMER: Langdon Sheet Metal
SUBMITTAL DATE: 3/3/2025