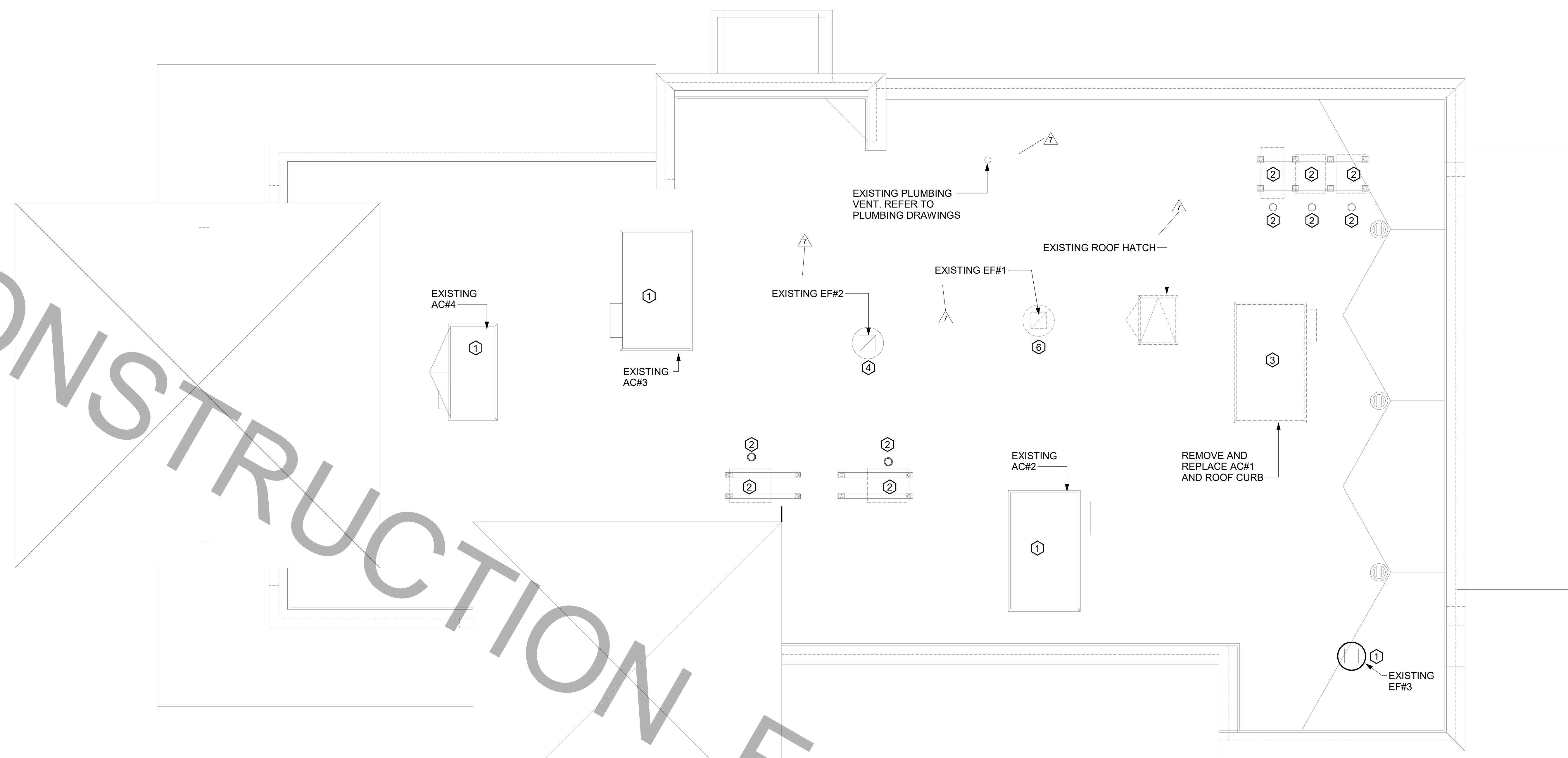


FOR CONSTRUCTION



**1** MECHANICAL DEMOLITION ROOF PLAN  
1/4" = 1'-0"

CODE IDENTIFICATION	
BUILDING CODE:	FLORIDA BUILDING CODE, BUILDING, 7TH EDITION (2020)
MECHANICAL CODE:	FLORIDA BUILDING CODE, MECHANICAL, 7TH EDITION (2020)
ENERGY CODE:	FLORIDA BUILDING CODE, FUEL GAS, 7TH EDITION (2020)
<b>NOTE:</b> ALL WORK SHALL COMPLY WITH THE CODE IDENTIFIED ABOVE ALONG WITH ALL OTHER GOVERNING CODES AND ORDINANCES APPLICABLE TO THE SCOPE OF THIS PROJECT.	

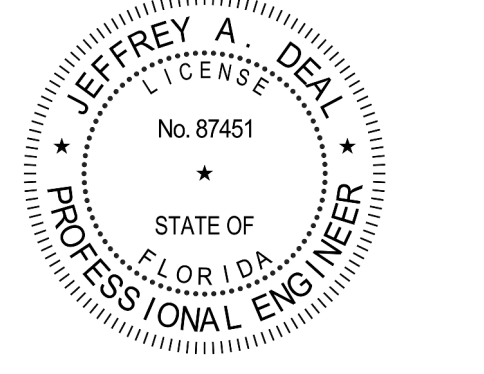
- MECHANICAL GENERAL NOTES:**
- ALL WORK PERFORMED SHALL BE IN ACCORDANCE WITH ALL LOCAL CODES AND ACCEPTABLE TO THE AUTHORITY HAVING JURISDICTION.
  - ALL DIMENSIONS, CLEARANCES AND TOLERANCES SHALL BE VERIFIED PRIOR TO INSTALLATION.
  - ALL MATERIALS, FIXTURES AND EQUIPMENT USED SHALL BE IN ACCORDANCE WITH CHICK-FIL-A SPECIFICATIONS. SPECIFICATIONS ARE CONTAINED WITHIN THESE DRAWINGS ANY VARIANCE FROM THE CHICK-FIL-A SPECIFICATIONS SHALL BE REVIEWED AND APPROVED BY THE ENGINEER-OF-RECORD.
  - ALL EQUIPMENT SHALL BE INSTALLED IN ACCORDANCE WITH ITS LISTING AND/OR THE MANUFACTURER'S INSTALLATION INSTRUCTIONS.
  - SEE COORDINATION SCHEDULE FOR ADDITIONAL SCOPE OF WORK.

- KEY NOTES:**
- EXISTING EQUIPMENT TO REMAIN.
  - CONTRACTOR SHALL DEMO/REMOVE REMOTE CONDENSING UNITS AND REFRIGERANT PIPING DOWN TO EQUIPMENT BELOW. REFRIGERANT PIPE GOOSENECK AND RACK STAND IS EXISTING TO REMAIN FOR RE-USE IN RENOVATION PHASE. REFRIGERANTS THAT ARE RECOVERED FROM REFRIGERATION AND AIR-CONDITIONING SYSTEMS SHALL NOT BE REUSED OTHER THAN IN THE SYSTEM FROM WHICH THEY WERE RECOVERED AND IN OTHER SYSTEMS OF THE SAME OWNER. RECOVERED REFRIGERANTS SHALL BE FILTERED AND DRIED BEFORE REUSE. RECOVERED REFRIGERANTS THAT SHOW CLEAR SIGNS OF CONTAMINATION SHALL NOT BE REUSED UNLESS RECLAIMED IN ACCORDANCE WITH SECTION 1102.2.2 OF THE FBC-M-2020.
  - CONTRACTOR SHALL DEMO/REMOVE AND DISCARD KITCHEN AC#1 AND ROOF CURB AS REQUIRED.
  - REMOVE EXISTING EXHAUST FAN AND CURB. OPENING TO REMAIN FOR REPLACEMENT FAN TO BE INSTALLED IN SAME LOCATION.
  - NOTE NOT USED.
  - DEMO/REMOVE EXHAUST FAN AND ROOF CURB. COORDINATE NEW EXHAUST FAN LOCATION WITH M- 250.



**Chick-fil-A**  
5200 Buffington Road  
Atlanta, Georgia  
30349-2998

**cph**  
www.cphcorp.com  
**A Full Service  
A & E Firm**  
Plans Prepared By:  
CPH, Inc.  
State of Florida Licenses:  
Engineer No. 3215  
Surveyor No. LB7143  
Architect No. AA26000926  
Landscape No. LC000298



**CHICK-FIL-A**  
**THE FOUNTAINS OF**  
**MIRAMAR**  
3211 SW 160th AVENUE  
MIRAMAR, FLORIDA 33027

**FSU # 01722**  
BUILDING TYPE / SIZE: S03  
RELEASE: 22-12

REVISION SCHEDULE		
NO.	DATE	DESCRIPTION
3	08-14-23	PERMIT REV 3
6	11-25-24	PERMIT REVISION 6
7	04-08-25	BID ADD 1

CONSULTANT PROJECT #	C29136
PRINTED FOR	CONSTRUCTION
DATE	01-22-21
DRAWN BY	JRH

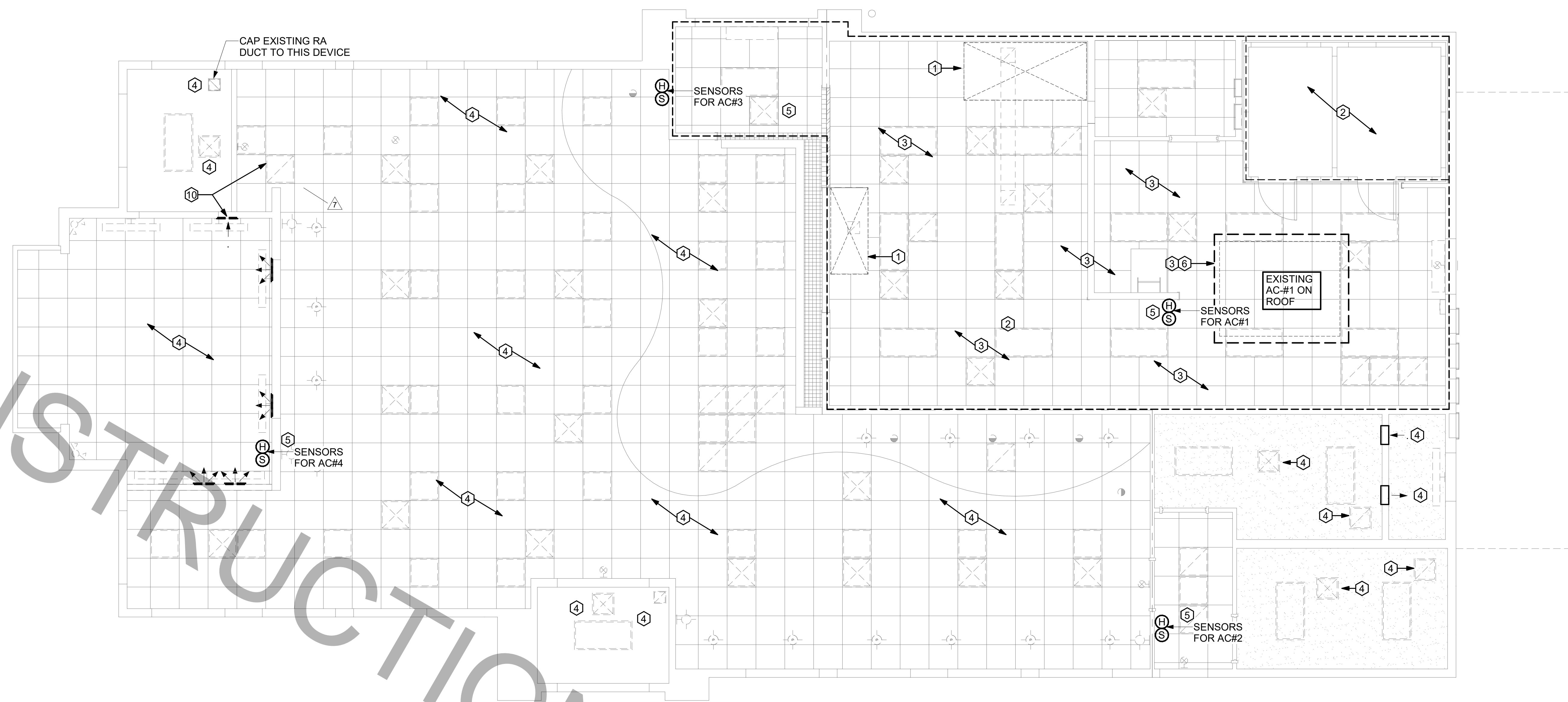
Information contained on this drawing and in all digital files produced for above named project may not be reproduced in any manner without express written or verbal consent from authorized project representatives.

SHEET  
MECHANICAL  
DEMOLITION ROOF PLAN

SHEET NUMBER  
**M-101**

CONSTRUCTION

FOR CONSTRUCTION FOR CONSTRUCTION FOR CONSTRUCTION



1 MECHANICAL DEMOLITION FLOOR PLAN  
1/4" = 1'-0"

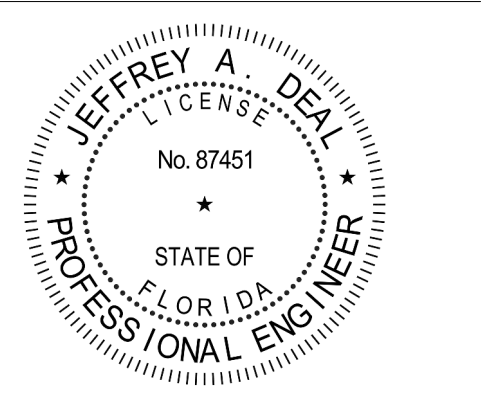
MECHANICAL GENERAL NOTES:	KEY NOTES:
<p>1. ALL WORK PERFORMED SHALL BE IN ACCORDANCE WITH ALL LOCAL CODES AND ACCEPTABLE TO THE AUTHORITY HAVING JURISDICTION.</p> <p>2. ALL DIMENSIONS, CLEARANCES AND TOLERANCES SHALL BE VERIFIED PRIOR TO INSTALLATION.</p> <p>3. ALL MATERIALS, FIXTURES AND EQUIPMENT USED SHALL BE IN ACCORDANCE WITH CHICK-FIL-A SPECIFICATIONS. SPECIFICATIONS ARE CONTAINED WITHIN THESE DRAWINGS AND THE CHICK-FIL-A PROJECT MANUAL. ANY CONTRACTOR IN NEED OF A COPY OF THE CHICK-FIL-A PROJECT MANUAL SHALL CONTACT THE CHICK-FIL-A AREA CONSTRUCTION MANAGER. ANY VARIANCE FROM THE CHICK-FIL-A SPECIFICATIONS SHALL BE REVIEWED AND APPROVED BY THE ENGINEER-OF-RECORD.</p> <p>4. ALL EQUIPMENT SHALL BE INSTALLED IN ACCORDANCE WITH ITS LISTING AND/OR THE MANUFACTURER'S INSTALLATION INSTRUCTIONS.</p> <p>5. SEE COORDINATION SCHEDULE FOR ADDITIONAL SCOPE OF WORK.</p>	<p>1 CONTRACTOR SHALL DEMO/REMOVE AND DISCARD EXHAUST HOOD AND ANSUL FIRE SUPPRESSION. CONTRACTOR SHALL DEMO/REMOVE AND DISCARD INSULATED EXHAUST DUCT UP TO EXISTING EXHAUST FAN LOCATED ON ROOF. CONTRACTOR SHALL RETAIN REMOTE ANSUL PULL STATION FOR RELOCATION DURING NEW WORK PHASE.</p> <p>2 CONTRACTOR SHALL DEMO/REMOVE AND DISCARD REFRIGERANT PIPING FROM ALL EXISTING COOLER/FREEZER AND ICE MACHINE EQUIPMENT BACK TO REMOTE CONDENSER LOCATED ON ROOF. REFRIGERANTS THAT ARE RECOVERED FROM REFRIGERANT AND AIR-CONDITIONING SYSTEMS SHALL NOT BE REUSED OTHER THAN IN THE SYSTEM FROM WHICH THEY WERE RECOVERED AND IN OTHER SYSTEMS OF THE SAME OWNER. RECOVERED REFRIGERANTS SHALL BE FILTERED AND DRIED BEFORE REUSE. RECOVERED REFRIGERANTS THAT SHOW CLEAR SIGNS OF CONTAMINATION SHALL NOT BE REUSED UNLESS RECLAIMED IN ACCORDANCE WITH SECTION 1102.2.2 OF THE FBC-M-2020.</p> <p>3 CONTRACTOR SHALL DEMO/REMOVE AND DISCARD EXISTING SUPPLY AIR AND RETURN AIR PLENUM, SUPPLY AIR DIFFUSERS, RETURN AIR DIFFUSERS, SUPPLY AIR DUCT, RETURN AIR DUCT, AND ALL HANGERS, STRAPS, ETC., AND ALL OTHER HVAC APPURTENANCES ASSOCIATED WITH KITCHEN AC#1.</p> <p>4 CONTRACTOR TO REMOVE ALL EXISTING SUPPLY AND RETURN DEVICES IN ALL AREAS AS NOTED. EXISTING SUPPLY AND RETURN DUCTWORK TO REMAIN FOR RECONNECTION TO NEW SUPPLY AND RETURN GRILLES DURING RENOVATION.</p> <p>5 EXISTING SENSORS TO BE REMOVED FOR RENOVATION. REFER TO SHEET M-201 FOR SENSOR RELOCATION OR REPLACEMENT INFORMATION.</p> <p>6 CONTRACTOR TO DEMO/REMOVE EXISTING AIR DROPS, HANGERS, ALL APPURTENANCES AND WIRING BACK TO SOURCE.</p> <p>7 NOTE NOT USED.</p> <p>8 NOTE NOT USED.</p> <p>9 NOTE NOT USED.</p> <p>10 EXISTING RETURN GRILLE AND TRANSFER DUCT. DUCTWORK MAY NEED TO BE RECONFIGURED FOR RENOVATION. REFER TO SHEET M-201 FOR INFORMATION.</p>



**Chick-fil-A**  
5200 Buffington Road  
Atlanta, Georgia  
30349-2998



Plans Prepared By:  
**CPH, Inc.**  
State of Florida Licenses:  
Engineer No. 3215  
Surveyor No. LB7143  
Architect No. AA26000926  
Landscape No. LC000298



**CHICK-FIL-A**  
**THE FOUNTAINS OF**  
**MIRAMAR**  
3211 SW 160th AVENUE  
MIRAMAR, FLORIDA 33027

**FSU # 01722**  
BUILDING TYPE / SIZE: S03  
RELEASE: 22-12

REVISION SCHEDULE		
NO.	DATE	DESCRIPTION
3	08-14-23	PERMIT REV 3
6	11-25-24	PERMIT REVISION 6
7	04-08-25	BID ADD 1

CONSULTANT PROJECT #	
PRINTED FOR	CONSTRUCTION
DATE	01-22-21
DRAWN BY	JRH

Information contained on this drawing and in all digital files produced for above named project may not be reproduced in any manner without express written or verbal consent from authorized project representatives.

SHEET  
**MECHANICAL  
DEMOLITION FLOOR PLAN**

SHEET NUMBER  
**M-102**

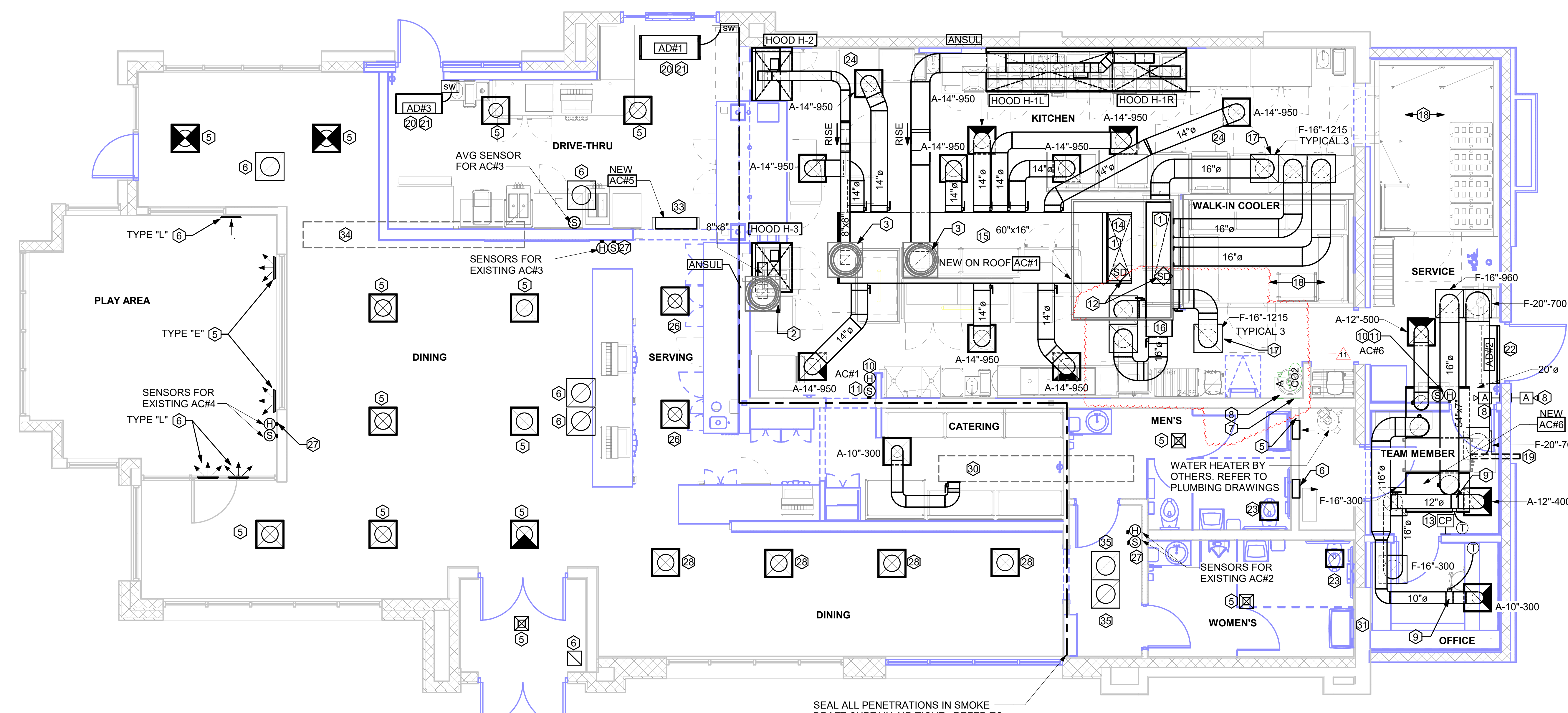
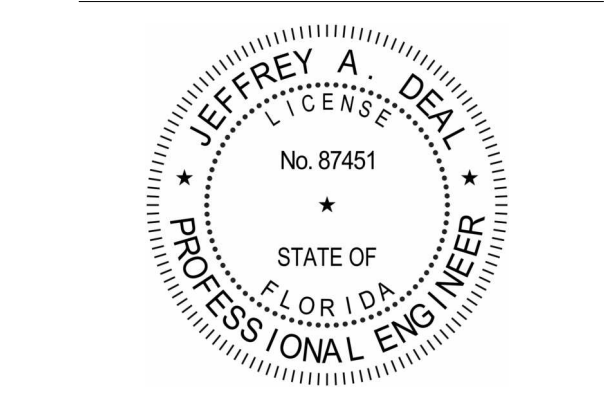


Chick-fil-A

Chick-fil-A  
5200 Buffington Road  
Atlanta, Georgia  
30349-2998



www.cphcorp.com  
A Full Service  
A & E Firm  
Plans Prepared By:  
CPH, Inc.  
State of Florida Licenses:  
Engineer No. 3215  
Surveyor No. LB7143  
Architect No. AA26000926  
Landscape No. LC000298



1 MECHANICAL FLOOR PLAN  
1/4" = 1'-0"

SEAL ALL PENETRATIONS IN SMOKE DRAFT CURTAIN AIR TIGHT - REFER TO ARCHITECTURAL FOR CONSTRUCTION

NOTE:  
REFER TO SCHEDULES AND DETAILS MECHANICAL SHEET FOR FURTHER INFORMATION.

NOTE:  
MECHANICAL CONTRACTOR TO PROVIDE TEST AND BALANCE REPORT BEFORE FINAL INSPECTION.

NOTE:  
ALL NEW HOODS SHALL BE RATED WITH ONE INCH THICK LAYER OF FACTORY INSTALLED INSULATION TO MEET "ZERO INCH CLEARANCE" TO COMBUSTIBLE MATERIALS. HOOD SHALL BE CERTIFIED BY ETL SPECIFICATIONS, AND SHALL CONFORM TO UL STANDARD 710, BUILT PER NFPA 96 SECTION 4.2.2., AND NSF LISTED. REFER TO SHEET MH-101.

NOTE:  
IF BALANCING DAMPERS ARE NOT EXISTING IN THE BRANCH DUCT OR AT THE TAKE-OFF, MECHANICAL CONTRACTOR SHALL SUPPLY AND INSTALL NEW BALANCING DAMPERS WITHIN THE BRANCH DUCT (TYPICAL).

LEGEND			
A-12-400	TYPE - NECK SIZE - CFM	EF#1	EXHAUST FAN #1 (TYP.)
(S)	REMOTE TEMPERATURE SENSOR	(A)	ANSUL PULL STATION
(H)	HUMIDITY SENSOR	(X)	RETURN/EXHAUST
(A#)	STROBE AUDIO/VISUAL ALARM-ANNUNCIATOR	(D)	SUPPLY DIFFUSER (TYP.)
12x18	DUCT SIZE (REVERSE FOR ELEVATION VIEWS): 1ST NUMBER - HORIZONTAL DIMENSION 2ND NUMBER - VERTICAL DIMENSION	(1)	PLAN NOTE REFERENCE
(AC#1)	AIR CONDITIONING UNIT #1 (TYP.)	(CF)	CIRCULATING FAN
(M)	MANUAL VOLUME DAMPER	(SD)	SMOKE DETECTOR
(CO2)	CO2 SENSOR	(AD#1)	AIR DOOR#1 (TYP.)
		(CP)	CONTROL PANEL

FLEX DUCT SIZE			
RANGE	SIZE	RANGE	SIZE
0-80 CFM	6" DIA.	511-750 CFM	14" DIA.
81-170 CFM	8" DIA.	701-1100 CFM	16" DIA.
171-300 CFM	10" DIA.	1101-1450 CFM	18" DIA.
301-510 CFM	12" DIA.	1451-1900 CFM	20" DIA.

- NOTES:
- BASED ON WIRE HELIX FLEXIBLE DUCT, TYPE FLEX-MASTER.
  - LISTING: UL-181 / ETL GLASS FIBER DUCT.
  - STANDARD CODE: NFPA 90A AND 90B, BOCA, SBCC HUD/FHA, MIN PROPERTY STD.
  - FLAME SPREAD LESS THAN 25
  - SMOKE DEVELOP. LESS THAN 50
  - MIN R.F. 0 FOR ATTIC/UNCONDITION SPACE. MANUFACTURER IS TO BE USED AS A BASIS FOR DESIGN. CONTACT ENGINEER OF RECORD TO SUBMIT ON APPROVED EQUALS.

OMD CANOPY NOTE

REFER TO SHEET M-801 FOR FURTHER INFORMATION REGARDING CANOPY SCOPE. MECHANICAL CONTRACTOR TO PURCHASE AND MOUNT NEW CIRCULATION FANS. COORDINATE EXACT NUMBER OF FANS WITH CANOPY MANUFACTURER.

NOTE:  
GENERAL CONTRACTOR TO HIRE REFRIGERATION CONTRACTOR TO RECLAIM REFRIGERANT FROM EXISTING FREEZER/COOLER ICE MAKERS AND RECHARGE EXISTING ICE MAKERS AFTER EQUIPMENT IS REINSTALLED. REFER TO KEY NOTES #2 ON SHEET M-101.

HVAC GENERAL NOTES

- DUCT SIZES SERVING DIFFUSERS AND GRILLES ARE SAME SIZE AS DIFFUSER OR GRILLE NECK UNLESS NOTED OTHERWISE.
- MECHANICAL CONTRACTOR SHALL BALANCE HVAC SYSTEM AS SHOWN ON THE PLAN & RTU SCHEDULE. IF AIRFLOWS DIFFER BY MORE THAN 5%, CONTACT CFA CONSTRUCTION MANAGER.
- NO PIPING OR DUCTWORK ALLOWED ABOVE ANY ELECTRICAL/CONTROL PANELS.
- COORDINATE NEW WORK WITH EXISTING CONDUITS, STRUCTURE, & PIPING. FIELD VERIFY EXISTING CONDITIONS PRIOR TO COMMENCING WORK. CONTRACTOR TO NOTIFY DESIGN TEAM WITHOUT DELAY IF ACTUAL LOCATION OF EXISTING MECHANICAL EQUIPMENT DOES NOT MATCH FLOOR PLAN.
- CONTRACTOR SHALL CLEAN & REFURBISH ALL EXISTING DUCTWORK. PATCH & REPAIR OPENING AIR TIGHT OF EXISTING DUCTWORK AS REQUIRED (TYPICAL ALL). FIELD VERIFY AND COORDINATE ALL EXISTING HVAC SIZES, LOCATIONS, AND CONDITION PRIOR TO BID.
- REUSE AND REWORK EXISTING HVAC DUCTWORK. PROVIDE NEW SECTION FOR RECONNECTION AS REQUIRED. FIELD VERIFY ALL REQUIREMENTS PRIOR TO BID.
- CONTRACTOR SHALL BALANCE, INSPECT, REPAIR, OR REPLACE AS NECESSARY IF REQUIRED FOR EXISTING CEILING OR SIDEWALL MOUNTED AIR DEVICES TO REMAIN. FIELD VERIFY AND COORDINATE EXACT SIZE, AIR QUANTITY, LOCATION, AND CONDITION PRIOR TO BID. AIR FLOW SHALL REMAIN AS IS UNLESS NOTED ON PLAN, OR DIRECTED BY CONSTRUCTION MANAGER. ANY DEFICIENCIES AND OR DISCREPANCIES SHALL BE REPORTED TO ARCHITECT/ENGINEER IMMEDIATELY. COORDINATE AIR BALANCE RESULTS WITH CONSTRUCTION MANAGER.
- FLEXIBLE DUCT NOT SHOWN FOR CLARITY. ALL TAKE-OFFS SHALL INCLUDE FLEXIBLE DUCT. SEE DETAIL 1M-401 FOR FLEXIBLE DUCT INSTALLATION REQUIREMENTS.
- UNLESS NOTED OTHERWISE, MC TO ADJUST ALL DIFFUSER AIR PATTERN DEFLECTORS TO THROW HORIZONTALLY ALONG THE CEILING.
- SUPPORT ALL DUCT DROPS AT BASE OF DROP FROM STRUCTURE.

HVAC KEY NOTES

- TRANSITION IN VERTICAL DROP FROM FULL SIZE OF CURB OPENING TO SIZE SHOWN. TRANSITION WITHIN CURB WHERE REQUIRED TO AVOID STRUCTURE. NO TURNING VANES IN ELBOW, FOR RETURN AIR ONLY.
- PROVIDE NEW KITCHEN HOOD EXHAUST FAN REPLACING THE EXISTING FAN THROUGH THE EXISTING ROOF OPENING. PROVIDE NEW FAN WITH NEW CURB LOCATION SHOWN ON PLAN. ENSURE A MINIMUM OF 10 FT FROM ANY NEW OR EXISTING OUTSIDE AIR INTAKE. COORDINATE EXACT LOCATION IN FIELD WITH EXISTING EQUIPMENT AND PIPING. SEE DETAIL ON M-401 FOR ORIENTATION OF HINGE SIDE OF FAN ON CURB.
- PROVIDE NEW KITCHEN HOOD EXHAUST FAN WITH NEW CURB LOCATION SHOWN ON PLAN. LOCATE A MINIMUM OF 10 FT FROM PARAPET WALLS OR FROM ANY NEW OR EXISTING OUTSIDE AIR INTAKE. COORDINATE EXACT LOCATION IN FIELD WITH EXISTING EQUIPMENT AND PIPING. SEE DETAIL ON M-401 FOR ORIENTATION OF HINGE SIDE OF FAN ON CURB.
- BRANCH TAKE-OFFS ARE NOT TO BE LOCATED CLOSER THAN 3'-0" FROM ANY OFF-SET OR ELBOW INCLUDING THE SUPPLY AIR DROP INTO THE PLENUM.
- NEW SUPPLY AIR DIFFUSERS. CONTRACTOR SHALL EXTEND EXISTING SUPPLY AIR DUCT AS REQUIRED. CFM IS EXISTING TO REMAIN.
- NEW RETURN AIR GRILLES. CONTRACTOR SHALL EXTEND EXISTING RETURN AIR DUCT AS REQUIRED. CFM IS EXISTING TO REMAIN.
- STRONG SYSTEMS SHALL SUPPLY AND INSTALL CO2 SENSOR ANALOX-AX60. SENSOR SHALL BE MOUNTED AT 12" AFF WITH SPLASH GUARD AND CAGE. ELECTRICAL CONTRACTOR TO PROVIDE SINGLE-GANG J-BOX WITH 1/2" CONDUIT EXTENDED TO ABOVE ACCESSIBLE CEILING SPACE. INSTALL PER MANUFACTURER'S RECOMMENDATIONS AND PER LOCAL CODE REQUIREMENTS. FIELD VERIFY EXACT LOCATION AND ALL REQUIREMENTS PRIOR TO BID AND CONSTRUCTION. FOR MORE INFORMATION CONTACT: STRONG SYSTEMS INTERNATIONAL, INC. CHRIS VERCH (770) 729-1199 OR (770) 462-2501.
- STRONG SYSTEMS SHALL SUPPLY AND INSTALL CO2 ANNUNCIATOR MOUNTED AT 60" AFF. ELECTRICAL CONTRACTOR TO PROVIDE SINGLE-GANG J-BOX WITH 1/2" CONDUIT EXTENDED TO ABOVE ACCESSIBLE CEILING SPACE. INSTALL PER MANUFACTURER'S RECOMMENDATIONS AND PER LOCAL CODE. FIELD VERIFY EXACT LOCATION AND ALL REQUIREMENTS PRIOR TO BID AND CONSTRUCTION. FOR MORE INFORMATION CONTACT: STRONG SYSTEMS INTERNATIONAL, INC. CHRIS VERCH (770) 729-1199 OR (770) 462-2501.

- YOUNG REGULATOR ROUND ZONE DAMPER WITH MODEL T-312CE AUTOMATIC CHANGE-OVER THERMOSTAT. MOUNT CENTER OF TSTAT AT 4'-0" AFF. POWER OPEN/SPRING CLOSE. ADJUST MECHANICAL LIMIT FOR 75 CFM MINIMUM AIRFLOW. PROVIDE 120V/24V, 50 VA TRANSFORMER TO SERVE ZONE DAMPER ACTUATOR AND THERMOSTAT. POWERED FROM 120V POWER CIRCUIT THAT REMAINS LIVE 24/7.
- SMOKE DEVELOP. LESS THAN 50
- MIN R.F. 0 FOR ATTIC/UNCONDITION SPACE. MANUFACTURER IS TO BE USED AS A BASIS FOR DESIGN. CONTACT ENGINEER OF RECORD TO SUBMIT ON APPROVED EQUALS.
- MOUNT NEW/EXISTING LENNOX HUMIDITY SENSOR ON WALL ABOVE SPACE TEMP SENSOR AND ROUTE WIRING TO UNIT ON ROOF. PROVIDE NEW CONTROL WIRE TO ACCOMMODATE LOCATION. DO NOT SPLICE WIRE.
- MOUNT NEW REMOTE TEMPERATURE SENSOR ON WALL AT 60" AFF AND ROUTE NEW WIRING BACK TO TEMP CONTROL PANEL. FOR SENSOR SERVING KITCHEN AC-1, COORDINATE EXACT LOCATION WITH KITCHEN EQUIPMENT PRIOR TO BID AND CONSTRUCTION.
- PROVIDE A LENNOX FACTORY INSTALLED SUPPLY SIDE & RETURN SIDE SMOKE DETECTORS. REFER TO SCHEDULE ON SHEET M-402 AND LENNOX SMOKE DETECTOR AND ANNUNCIATOR WIRING DIAGRAM ON SHEET M-501.
- STRONG SYSTEMS SHALL SUPPLY AND INSTALL CO2 CENTRAL CONTROL UNIT MOUNTED AT 60" AFF. ELECTRICAL CONTRACTOR TO PROVIDE SINGLE-GANG J-BOX WITH 1/2" CONDUIT EXTENDED TO ABOVE ACCESSIBLE CEILING SPACE. INSTALL PER MANUFACTURER'S RECOMMENDATIONS AND PER LOCAL CODE. FIELD VERIFY EXACT LOCATION AND ALL REQUIREMENTS PRIOR TO BID AND CONSTRUCTION. COORDINATE WITH ELECTRICAL DRAWING E2.2 FOR EXACT LOCATION. FOR MORE INFORMATION CONTACT: STRONG SYSTEMS INTERNATIONAL, INC. CHRIS VERCH (770) 729-1199 OR (770) 462-2501.
- (2) 28"x20" SUPPLY AIR RTU DROP AND (1) 60"x15" RETURN AIR DROP FROM NEW KITCHEN AC-1.
- 60"x16" SUPPLY AIR DUCT ROUTED BELOW BAR JOIST AS HIGH AS POSSIBLE. BRANCH TAKE-OFFS ARE NOT TO BE LOCATED CLOSER THAN 3'-0" FROM ANY OFF-SET OR ELBOW, INCLUDING THE SA DROP FROM THE CURB.
- 96"Lx20"Wx18"D RETURN AIR PLENUM AS CLOSE AS POSSIBLE TO BOTTOM OF STRUCTURAL JOISTS TO PROVIDE CLEARANCE IN ABOVE CEILING.
- 16"Ø SIDEWALL TAP RETURN AIR PLENUM WITH SPIN-IN FITTINGS AND DAMPER. REFER TO AIR DEVICE SCHEDULE FOR FURTHER INFORMATION.
- CONTRACTOR SHALL INSTALL AND ROUTE NEW INSULATED REFRIGERANT PIPING FROM ROOF MOUNTED REMOTE CONDENSER TO FREEZER & COOLER EVAPORATORS.

- 4" ROUND OA DUCT WITH WALL VENT, INSTALL AT MINIMUM 10'-6" AFF.
- AIR CURTAIN (AD-1) MOUNTED WITHIN CEILING CENTERED ABOVE DRIVE THRU DOOR 4" FROM THE EXTERIOR WALL AND (AD#3) MOUNTED WITHIN THE CEILING CENTERED ABOVE THE DRIVE THRU DOOR 1'-0" FROM THE EXTERIOR WALL. PROVIDE AIR DIVERTER CONE ABOVE DOOR FOR (AD#1). REFER TO DETAIL 9/M-401 FOR INFORMATION. ATTACH AIR CURTAIN TO STRUCTURE USING 3/8" ALL THREAD SUPPORTS.
- FIELD WIRE FACTORY PROVIDED CONTROLS. SEE KITCHEN ELEVATIONS FOR EXACT LOCATION OF SWITCH. MC IS RESPONSIBLE FOR ALL FINAL CONNECTIONS FOR LOW VOLTAGE INTERLOCK WITH TORMAX DOOR. REFER TO DETAIL 5/M-501 FOR INFORMATION.
- AIR DOOR MOUNTED OVER DOOR HEADER AT 7'-4" AFF TO BOTTOM OF UNIT. PROVIDE BLOCKING IN ALL BEHIND AIR CURTAIN. USE FACTORY PRE-PUNCHED MOUNTING HOLES ON BACK SIDE OF AIR CURTAIN ONLY. ATTACH AIR CURTAIN TO WALL USING 3/8" LAG BOLTS. LENGTH AS REQUIRED TO FULLY PENETRATE BLOCKING. LOCATE MAGNETIC CONTACT TYPE MICROSWITCH IN DOOR FRAME ON STRIKE SIDE.
- NEW EXHAUST AIR DIFFUSERS. CONTRACTOR SHALL EXTEND EXISTING EXHAUST AIR DUCT AS REQUIRED. CFM IS EXISTING TO REMAIN.
- MECHANICAL CONTRACTOR TO ADJUST PATTERN DEFLECTORS TO THROW STRAIGHT DOWN.
- NEW RETURN AIR GRILLES. CONTRACTOR SHALL EXTEND EXISTING RETURN AIR DUCT AS REQUIRED. BALANCE TO 735 CFM EACH.
- MAINTAIN EXISTING SUPPLY DUCT. REVISE AIR BALANCE TO 550 CFM.
- LOCATE NEW SENSOR(S) AT THIS LOCATION. REFER TO KEY NOTES #10 & #11 FOR INSTALLATION INFORMATION.
- NEW SUPPLY AIR DIFFUSERS. CONTRACTOR SHALL EXTEND EXISTING SUPPLY AIR DUCT AS REQUIRED. BALANCE TO 475 CFM.
- NOTE NOT USED.
- EXISTING AC#2 TRUNK DUCT SHOWN FOR REFERENCE ONLY.
- ROUTE REFRIGERANT PIPING AND CONTROL WIRE HARNESS THROUGH CMU IN THIS AREA, BETWEEN THE EXISTING TUBE STEEL AND EXTERIOR WALL THEN UP TO CONDENSING UNIT ON ROOF. ROUTE CONDENSATE TUBING FROM CONDENSATE PUMP, WITH REFRIGERANT PIPING UP TO ROOF DISCHARGING TO ROOF DRAIN.

- NOTE NOT USED.
- NEW SPLIT SYSTEM AIR HANDLER. COORDINATE LOCATION WITH KITCHEN EQUIPMENT CONTRACTOR AND ELECTRICAL CONTRACTOR.
- EXISTING TRUNK DUCT FOR AC#3 SHOWN FOR REFERENCE ONLY. EXTEND BRANCH DUCTS SIMILARLY TO SERVE NEW SPACES. EXISTING AIRFLOW TO REMAIN.

CHICK-FIL-A  
THE FOUNTAINS OF  
MIRAMAR  
3211 SW 160th AVENUE  
MIRAMAR, FLORIDA 33027

FSU # 01722

BUILDING TYPE / SIZE: S03  
RELEASE: 22-12

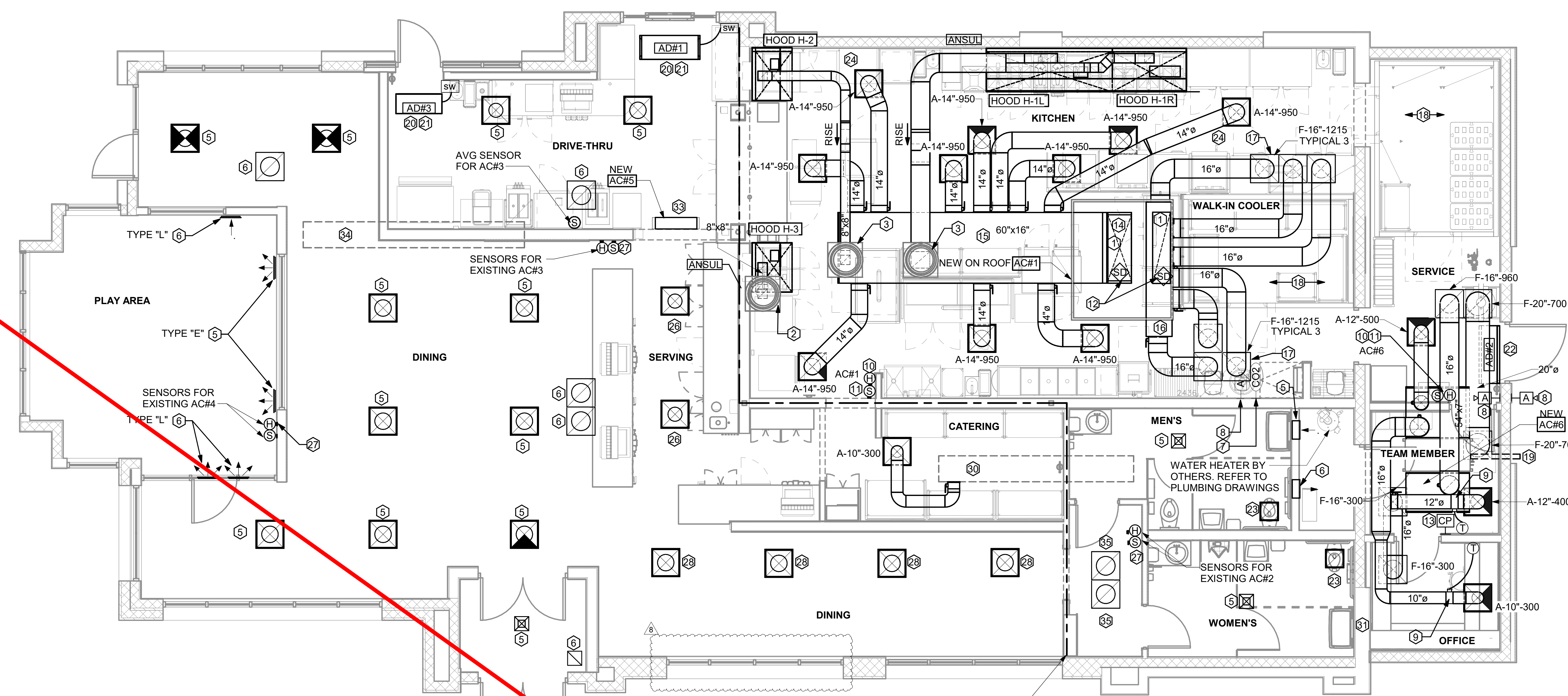
REVISION SCHEDULE		
NO.	DATE	DESCRIPTION
2	03/25/21	OWNER REVISIONS
3	08/08/21	PERMIT COMMENTS
4	08/14/23	PERMIT REV 3
7	11/25/24	PERMIT REVISION 6
8	04/08/25	BID ADD 1
9	05/27/25	CONST REV 1
11	02/04/26	CONST REV 4

CONSULTANT PROJECT # C29136  
PRINTED FOR CONSTRUCTION  
DATE 10/31/2023  
DRAWN BY JRH

Information contained on this drawing and all digital files produced for above named project may not be reproduced in any manner without express written or verbal consent from authorized project representatives.

SHEET MECHANICAL FLOOR PLAN

SHEET NUMBER  
M-201



1 MECHANICAL FLOOR PLAN  
1/4" = 1'-0"

**NOTE:**  
REFER TO SCHEDULES AND DETAILS MECHANICAL SHEET FOR FURTHER INFORMATION.

**NOTE:**  
MECHANICAL CONTRACTOR TO PROVIDE TEST AND BALANCE REPORT BEFORE FINAL INSPECTION.

**NOTE:**  
ALL NEW HOODS SHALL BE RATED WITH ONE INCH THICK LAYER OF FACTORY INSTALLED INSULATION TO MEET "ZERO INCH CLEARANCE" TO COMBUSTIBLE MATERIALS. HOOD SHALL BE CERTIFIED BY ETL SPECIFICATIONS, AND SHALL CONFORM TO UL STANDARD 710, BUILT PER NFPA 96 SECTION 4.2.2., AND NSF LISTED. REFER TO SHEET MH-101.

**NOTE:**  
IF BALANCING DAMPERS ARE NOT EXISTING IN THE BRANCH DUCT OR AT THE TAKE-OFF, MECHANICAL CONTRACTOR SHALL SUPPLY AND INSTALL NEW BALANCING DAMPERS WITHIN THE BRANCH DUCT (TYPICAL).

LEGEND			
A-12-400	TYPE - NECK SIZE - CFM	EF#1	EXHAUST FAN #1 (TYP.)
(S)	REMOTE TEMPERATURE SENSOR	(A)	ANSUL PULL STATION
(H)	HUMIDITY SENSOR	(X)	RETURN/EXHAUST
(A#)	STROBE AUDIO/VISUAL ALARM/ANNUNCIATOR	(D)	SUPPLY DIFFUSER (TYP.)
12x18	DUCT SIZE (REVERSE FOR ELEVATION VIEWS): 1ST NUMBER - HORIZONTAL DIMENSION 2ND NUMBER - VERTICAL DIMENSION	(1)	PLAN NOTE REFERENCE
AC#1	AIR CONDITIONING UNIT #1 (TYP.)	(CF)	CIRCULATING FAN
(M)	MANUAL VOLUME DAMPER	(SD)	SMOKE DETECTOR
(CO2)	CO2 SENSOR	(AD#1)	AIR DOOR#1 (TYP.)
		(CP)	CONTROL PANEL

FLEX DUCT SIZE			
RANGE	SIZE	RANGE	SIZE
0-80 CFM	6" DIA.	511-750 CFM	14" DIA.
81-170 CFM	8" DIA.	701-1100 CFM	16" DIA.
171-300 CFM	10" DIA.	1101-1450 CFM	18" DIA.
301-510 CFM	12" DIA.	1451-1900 CFM	20" DIA.

- NOTES:**
- BASED ON WIRE HELIX FLEXIBLE DUCT, TYPE FLEX-MASTER.
  - LISTING: UL-181 / ETL GLASS AIR DUCT.
  - STANDARD CODE: NFPA 90A AND 90B, BOCA, SBCC HUD/FHA, MIN PROPERTY STD.
  - FLAME SPREAD ... LESS THAN 25
  - SMOKE DEVELOP. ... LESS THAN 50
  - MIN R.F. 0 FOR ATTIC/UNCONDITION SPACE.
- MANUFACTURER IS TO BE USED AS A BASIS FOR DESIGN. CONTACT ENGINEER OF RECORD TO SUBMIT ON APPROVED EQUALS.

**OMD CANOPY NOTE**

REFER TO SHEET M-801 FOR FURTHER INFORMATION REGARDING CANOPY SCOPE. MECHANICAL CONTRACTOR TO PURCHASE AND MOUNT NEW CIRCULATION FANS. COORDINATE EXACT NUMBER OF FANS WITH CANOPY MANUFACTURER.

**NOTE:**  
GENERAL CONTRACTOR TO HIRE REFRIGERATION CONTRACTOR TO RECLAIM REFRIGERANT FROM EXISTING FREEZER/COOLER ICE MAKERS AND RECHARGE EXISTING ICE MAKERS AFTER EQUIPMENT IS REINSTALLED. REFER TO KEY NOTES #2 ON SHEET M-101.

**HVAC GENERAL NOTES**

- DUCT SIZES SERVING DIFFUSERS AND GRILLES ARE SAME SIZE AS DIFFUSER OR GRILLE NECK UNLESS NOTED OTHERWISE.
- MECHANICAL CONTRACTOR SHALL BALANCE HVAC SYSTEM AS SHOWN ON THE PLAN & RTU SCHEDULE. IF AIRFLOWS DIFFER BY MORE THAN 5%, CONTACT CFA CONSTRUCTION MANAGER.
- NO PIPING OR DUCTWORK ALLOWED ABOVE ANY ELECTRICAL/CONTROL PANELS.
- COORDINATE NEW WORK WITH EXISTING CONDUITS, STRUCTURE, & PIPING. FIELD VERIFY EXISTING CONDITIONS PRIOR TO COMMENCING WORK. CONTRACTOR TO NOTIFY DESIGN TEAM WITHOUT DELAY IF ACTUAL LOCATION OF EXISTING MECHANICAL EQUIPMENT DOES NOT MATCH FLOOR PLAN.
- CONTRACTOR SHALL CLEAN & REFURBISH ALL EXISTING DUCTWORK. PATCH & REPAIR OPENING AIR TIGHT OF EXISTING DUCTWORK AS REQUIRED (TYPICAL ALL). FIELD VERIFY AND COORDINATE ALL EXISTING HVAC SIZES, LOCATIONS, AND CONDITION PRIOR TO BID.
- REUSE AND REWORK EXISTING HVAC DUCTWORK. PROVIDE NEW SECTION FOR RECONNECTION AS REQUIRED. FIELD VERIFY ALL REQUIREMENTS PRIOR TO BID.
- CONTRACTOR SHALL BALANCE, INSPECT, REPAIR, OR REPLACE AS NECESSARY IF REQUIRED FOR EXISTING CEILING OR SIDEWALL MOUNTED AIR DEVICES TO REMAIN. FIELD VERIFY AND COORDINATE EXACT SIZE, AIR QUANTITY, LOCATION, AND CONDITION PRIOR TO BID. AIR FLOW SHALL REMAIN AS IS UNLESS NOTED ON PLAN, OR DIRECTED BY CONSTRUCTION MANAGER. ANY DEFICIENCIES AND OR DISCREPANCIES SHALL BE REPORTED TO ARCHITECT/ENGINEER IMMEDIATELY. COORDINATE AIR BALANCE RESULTS WITH CONSTRUCTION MANAGER.
- FLEXIBLE DUCT NOT SHOWN FOR CLARITY. ALL TAKE-OFFS SHALL INCLUDE FLEXIBLE DUCT. SEE DETAIL 1M-401 FOR FLEXIBLE DUCT INSTALLATION REQUIREMENTS.
- UNLESS NOTED OTHERWISE, MC TO ADJUST ALL DIFFUSER AIR PATTERN DEFLECTORS TO THROW HORIZONTALLY ALONG THE CEILING.
- SUPPORT ALL DUCT DROPS AT BASE OF DROP FROM STRUCTURE.

**HVAC KEY NOTES**

- TRANSITION IN VERTICAL DROP FROM FULL SIZE OF CURB OPENING TO SIZE SHOWN. TRANSITION WITHIN CURB WHERE REQUIRED TO AVOID STRUCTURE. NO TURNING VANES IN ELBOW, FOR RETURN AIR ONLY.
- PROVIDE NEW KITCHEN HOOD EXHAUST FAN REPLACING THE EXISTING FAN THROUGH THE EXISTING ROOF OPENING. PROVIDE NEW FAN WITH NEW CURB LOCATION SHOWN ON PLAN. ENSURE A MINIMUM OF 10 FT FROM ANY NEW OR EXISTING OUTSIDE AIR INTAKE. COORDINATE EXACT LOCATION IN FIELD WITH EXISTING EQUIPMENT AND PIPING. SEE DETAIL ON M-401 FOR ORIENTATION OF HINGE SIDE OF FAN ON CURB.
- PROVIDE NEW KITCHEN HOOD EXHAUST FAN WITH NEW CURB LOCATION SHOWN ON PLAN. LOCATE A MINIMUM OF 10 FT FROM PARAPET WALLS OR FROM ANY NEW OR EXISTING OUTSIDE AIR INTAKE. COORDINATE EXACT LOCATION IN FIELD WITH EXISTING EQUIPMENT AND PIPING. SEE DETAIL ON M-401 FOR ORIENTATION OF HINGE SIDE OF FAN ON CURB.
- BRANCH TAKE-OFFS ARE NOT TO BE LOCATED CLOSER THAN 3'-0" FROM ANY OFF-SET OR ELBOW INCLUDING THE SUPPLY AIR DROP INTO THE PLENUM.
- NEW SUPPLY AIR DIFFUSERS. CONTRACTOR SHALL EXTEND EXISTING SUPPLY AIR DUCT AS REQUIRED. CFM IS EXISTING TO REMAIN.
- NEW RETURN AIR GRILLES. CONTRACTOR SHALL EXTEND EXISTING RETURN AIR DUCT AS REQUIRED. CFM IS EXISTING TO REMAIN.
- STRONG SYSTEMS SHALL SUPPLY AND INSTALL CO2 SENSOR ANALOX-AX60. SENSOR SHALL BE MOUNTED AT 12" AFF WITH SPLASH GUARD AND CAGE. ELECTRICAL CONTRACTOR TO PROVIDE SINGLE-GANG J-BOX WITH 1/2" CONDUIT EXTENDED TO ABOVE ACCESSIBLE CEILING SPACE. INSTALL PER MANUFACTURER'S RECOMMENDATIONS AND PER LOCAL CODE REQUIREMENTS. FIELD VERIFY EXACT LOCATION AND ALL REQUIREMENTS PRIOR TO BID AND CONSTRUCTION. FOR MORE INFORMATION CONTACT: STRONG SYSTEMS INTERNATIONAL, INC. CHRIS VERCH (770) 729-1199 OR (770) 462-2501.
- STRONG SYSTEMS SHALL SUPPLY AND INSTALL CO2 ANNUNCIATOR MOUNTED AT 60" AFF. ELECTRICAL CONTRACTOR TO PROVIDE SINGLE-GANG J-BOX WITH 1/2" CONDUIT EXTENDED TO ABOVE ACCESSIBLE CEILING SPACE. INSTALL PER MANUFACTURER'S RECOMMENDATIONS AND PER LOCAL CODE. FIELD VERIFY EXACT LOCATION AND ALL REQUIREMENTS PRIOR TO BID AND CONSTRUCTION. FOR MORE INFORMATION CONTACT: STRONG SYSTEMS INTERNATIONAL, INC. CHRIS VERCH (770) 729-1199 OR (770) 462-2501.

- YOUNG REGULATOR ROUND ZONE DAMPER WITH MODEL T-312CE AUTOMATIC CHANGE-OVER THERMOSTAT. MOUNT CENTER OF TSTAT AT 4'-0" AFF. POWER OPEN/SPRING CLOSE. ADJUST MECHANICAL LIMIT FOR 75 CFM MINIMUM AIRFLOW. PROVIDE 120V/24V, 50 VA TRANSFORMER TO SERVE ZONE DAMPER ACTUATOR AND THERMOSTAT. POWERED FROM 120V POWER CIRCUIT THAT REMAINS LIVE 24/7.
- SMOKE DEVELOP. ... LESS THAN 50
- MIN R.F. 0 FOR ATTIC/UNCONDITION SPACE.
- MANUFACTURER IS TO BE USED AS A BASIS FOR DESIGN. CONTACT ENGINEER OF RECORD TO SUBMIT ON APPROVED EQUALS.
- 4" ROUND CA DUCT WITH WALL VENT, INSTALL AT MINIMUM 10'-6" AFF.
- AIR CURTAIN (AD#1) MOUNTED WITHIN CEILING CENTERED ABOVE DRIVE THRU DOOR 4" FROM THE EXTERIOR WALL AND (AD#3) MOUNTED WITHIN THE CEILING CENTERED ABOVE THE DRIVE THRU DOOR 1'-0" FROM THE EXTERIOR WALL. PROVIDE AIR DIVERTER CONE ABOVE DOOR FOR (AD#1). REFER TO DETAIL 9/M-401 FOR INFORMATION. ATTACH AIR CURTAIN TO STRUCTURE USING 3/8" ALL THREAD SUPPORTS.
- FIELD WIRE FACTORY PROVIDED CONTROLS. SEE KITCHEN ELEVATIONS FOR EXACT LOCATION OF SWITCH. MC IS RESPONSIBLE FOR ALL FINAL CONNECTIONS FOR LOW VOLTAGE INTERLOCK WITH TORMAX DOOR. REFER TO DETAIL 5/M-501 FOR INFORMATION.
- AIR DOOR MOUNTED OVER DOOR HEADER AT 7'-4" AFF TO BOTTOM OF UNIT. PROVIDE BLOCKING IN ALL BEHIND AIR CURTAIN. USE FACTORY PRE-PUNCHED MOUNTING HOLES ON BACK SIDE OF AIR CURTAIN ONLY. ATTACH AIR CURTAIN TO WALL USING 3/8" LAG BOLTS. LENGTH AS REQUIRED TO FULLY PENETRATE BLOCKING. LOCATE MAGNETIC CONTACT TYPE MICROSWITCH IN DOOR FRAME ON STRIKE SIDE.
- NEW EXHAUST AIR DIFFUSERS. CONTRACTOR SHALL EXTEND EXISTING EXHAUST AIR DUCT AS REQUIRED. CFM IS EXISTING TO REMAIN.
- MECHANICAL CONTRACTOR TO ADJUST PATTERN DEFLECTORS TO THROW STRAIGHT DOWN.
- NEW RETURN AIR GRILLES. CONTRACTOR SHALL EXTEND EXISTING RETURN AIR DUCT AS REQUIRED. BALANCE TO 735 CFM EACH.
- MAINTAIN EXISTING SUPPLY DUCT. REVISE AIR BALANCE TO 550 CFM.
- LOCATE NEW SENSOR(S) AT THIS LOCATION. REFER TO KEY NOTES #10 & #11 FOR INSTALLATION INFORMATION.
- NEW SUPPLY AIR DIFFUSERS. CONTRACTOR SHALL EXTEND EXISTING SUPPLY AIR DUCT AS REQUIRED. BALANCE TO 475 CFM.
- NOTE NOT USED.
- EXISTING AC#2 TRUNK DUCT SHOWN FOR REFERENCE ONLY.
- ROUTE REFRIGERANT PIPING AND CONTROL WIRE HARNESS THROUGH CMU IN THIS AREA, BETWEEN THE EXISTING TUBE STEEL AND EXTERIOR WALL THEN UP TO CONDENSING UNIT ON ROOF. ROUTE CONDENSATE TUBING FROM CONDENSATE PUMP, WITH REFRIGERANT PIPING UP TO ROOF DISCHARGING TO ROOF DRAIN.
- CONTRACTOR SHALL INSTALL AND ROUTE NEW INSULATED REFRIGERANT PIPING FROM ROOF MOUNTED REMOTE CONDENSER TO FREEZER & COOLER EVAPORATORS.

- 28"x20" SUPPLY AIR RTU DROP AND (1) 60"x15" RETURN AIR DROP FROM NEW KITCHEN AC-1.
- 60"x16" SUPPLY AIR DUCT ROUTED BELOW BAR JOIST AS HIGH AS POSSIBLE. BRANCH TAKE-OFFS ARE NOT TO BE LOCATED CLOSER THAN 3'-0" FROM ANY OFF-SET OR ELBOW, INCLUDING THE SA DROP FROM THE CURB.
- 96"Lx20"Wx18"D RETURN AIR PLENUM AS CLOSE AS POSSIBLE TO BOTTOM OF STRUCTURAL JOISTS TO PROVIDE CLEARANCE IN ABOVE CEILING.
- 16"Ø SIDEWALL TAP RETURN AIR PLENUM WITH SPIN-IN FITTINGS AND DAMPER. REFER TO AIR DEVICE SCHEDULE FOR FURTHER INFORMATION.
- CONTRACTOR SHALL INSTALL AND ROUTE NEW INSULATED REFRIGERANT PIPING FROM ROOF MOUNTED REMOTE CONDENSER TO FREEZER & COOLER EVAPORATORS.

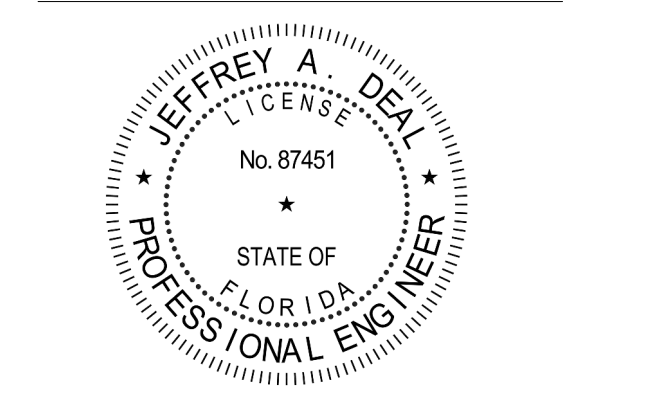
- NOTE NOT USED.
- NEW SPLIT SYSTEM AIR HANDLER. COORDINATE LOCATION WITH KITCHEN EQUIPMENT CONTRACTOR AND ELECTRICAL CONTRACTOR.
- EXISTING TRUNK DUCT FOR AC#3 SHOWN FOR REFERENCE ONLY. EXTEND BRANCH DUCTS SIMILARLY TO SERVE NEW SPACES. EXISTING AIRFLOW TO REMAIN.



**Chick-fil-A**  
5200 Buffington Road  
Atlanta, Georgia  
30349-2998



**A Full Service  
A & E Firm**  
Plans Prepared By:  
CPH, Inc.  
State of Florida Licenses:  
Engineer No. 3215  
Surveyor No. LB7143  
Architect No. AA26000926  
Landscape No. LC000298

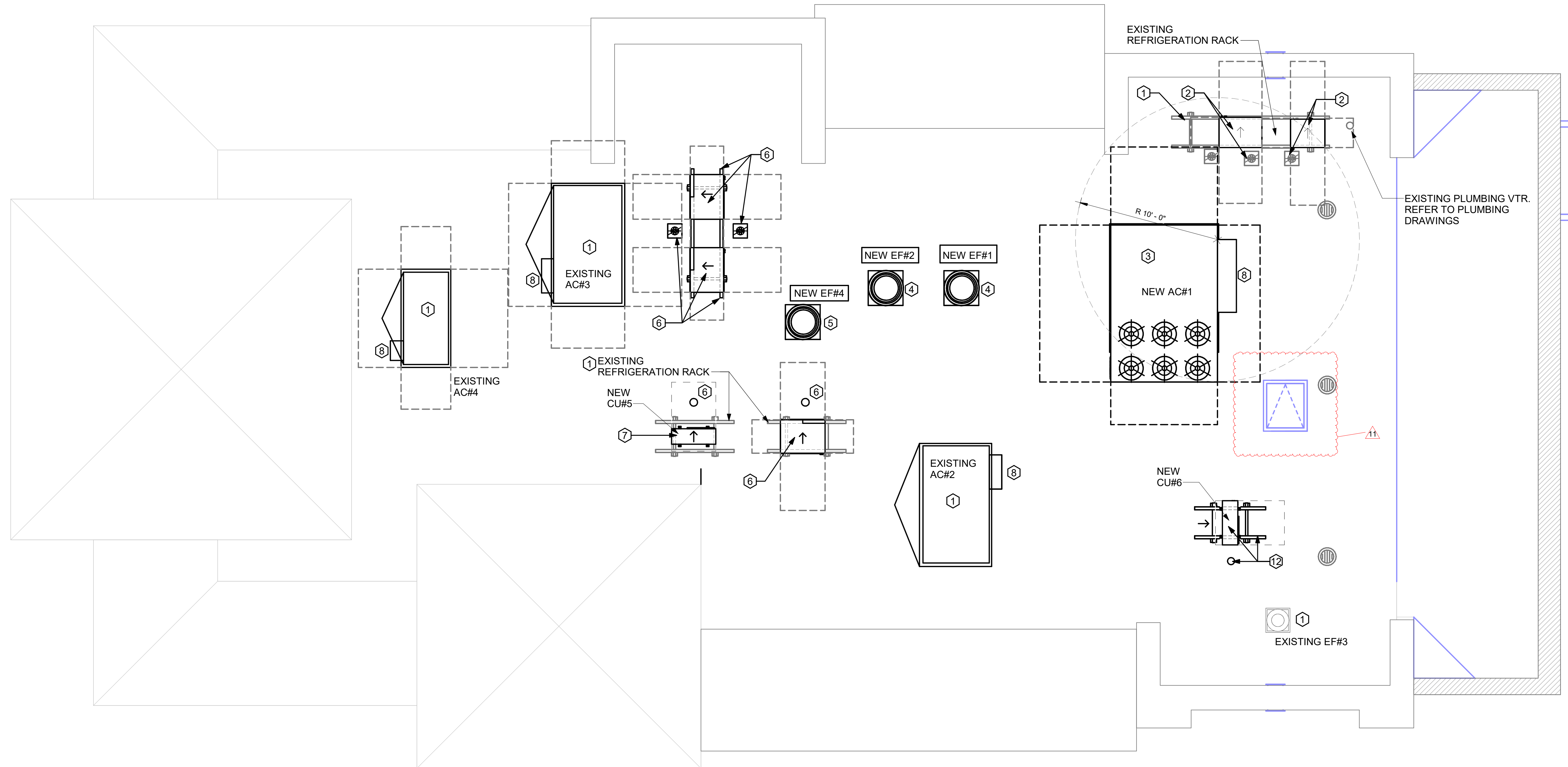


**CHICK-FIL-A  
THE FOUNTAINS OF  
MIRAMAR**  
3211 SW 160th AVENUE  
MIRAMAR, FLORIDA 33027

**FSU # 01722**  
BUILDING TYPE / SIZE: S03  
RELEASE: 22-12

REVISION SCHEDULE		
NO.	DATE	DESCRIPTION
1	03/25/21	OWNER REVISIONS
2	08/08/21	PERMIT COMMENTS
3	08/14/23	PERMIT REV 3
6	11/25/24	PERMIT REVISION 6
7	04/08/25	BID ADD 1
8	05/27/25	CONST REV 1

CONSULTANT PROJECT # C29136  
PRINTED FOR CONSTRUCTION  
DATE 10/31/2023  
DRAWN BY JRH  
MECHANICAL FLOOR PLAN  
SHEET NUMBER  
**M-201**



1 MECHANICAL ROOF PLAN  
1/4" = 1'-0"

**MECHANICAL GENERAL NOTES:**

1. ALL WORK PERFORMED SHALL BE IN ACCORDANCE WITH ALL LOCAL CODES AND ACCEPTABLE TO THE AUTHORITY HAVING JURISDICTION.
2. ALL DIMENSIONS, CLEARANCES AND TOLERANCES SHALL BE VERIFIED PRIOR TO INSTALLATION.
3. ALL MATERIALS, FIXTURES AND EQUIPMENT USED SHALL BE IN ACCORDANCE WITH CHICK-FIL-A SPECIFICATIONS. SPECIFICATIONS ARE CONTAINED WITHIN THESE DRAWINGS ANY VARIANCE FROM THE CHICK-FIL-A SPECIFICATIONS SHALL BE REVIEWED AND APPROVED BY THE ENGINEER-OF-RECORD.
4. ALL EQUIPMENT SHALL BE INSTALLED IN ACCORDANCE WITH ITS LISTING AND/OR THE MANUFACTURER'S INSTALLATION INSTRUCTIONS.
5. SEE COORDINATION SCHEDULE FOR ADDITIONAL SCOPE OF WORK.
6. AT EACH PIECE OF ROOF EQUIPMENT, PROVIDE UNIT DESIGNATION ON A PLASTIC ENGRAVED LABEL WITH 1" HIGH WHITE LETTERS ON A BLACK BACKGROUND. THE LABEL IS TO HAVE A SELF ADHESIVE BACKING.

**KEY NOTES:**

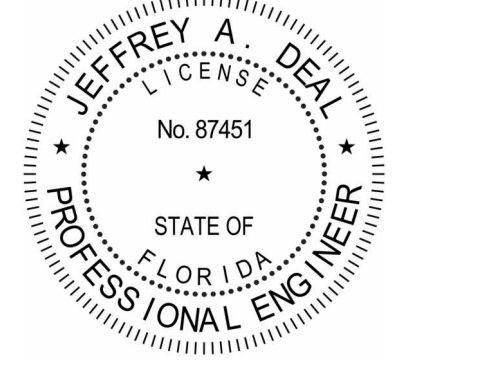
- 1 EXISTING EQUIPMENT TO REMAIN.
- 2 CONTRACTOR TO INSTALL NEW FREEZER/COOLER CONDENSING UNIT. ROUTE NEW INSULATED REFRIGERANT PIPING DOWN THROUGH EXISTING REFRIGERANT GOOSENECK TO NEW FREEZER/COOLER EVAPORATOR BELOW. RECHARGE REFRIGERANT SYSTEM. REFER TO KEY NOTE #2 ON SHEET M-101.
- 3 CONTRACTOR SHALL INSTALL NEW LENNOX AC#1 RTU AND ROOF CURB. CONTRACTOR SHALL COORDINATE ROOF PENETRATION OPENINGS. REFER TO RTU SCHEDULE FOR FURTHER INFORMATION.
- 4 CONTRACTOR SHALL INSTALL NEW GREASE EXHAUST FAN PER EXHAUST FAN SCHEDULE ON MECHANICAL SHEET M-402. ENSURE THAT NEW EXHAUST FAN IS INSTALLED A MINIMUM 10'-0" FROM ALL AIR INTAKE OPENINGS AND PARAPET. PROVIDE NEW CURB.
- 5 CONTRACTOR SHALL INSTALL NEW GREASE EXHAUST FAN PER EXHAUST FAN SCHEDULE ON MECHANICAL SHEET M-402 THRU EXISTING EXHAUST FAN OPENING. PROVIDE NEW CURB IN LOCATION SHOWN.
- 6 CONTRACTOR TO INSTALL NEW CONDENSING UNITS ON NEW REFRIGERATION RACK STAND AND NEW REFRIGERANT PORTAL FOR KITCHEN ICE MACHINE. ROUTE NEW REFRIGERANT PIPING DOWN TO EQUIPMENT BELOW. COORDINATE WITH STRUCTURAL FOR EXACT LOCATION AND INSTALLATION REQUIREMENTS.
- 7 CONTRACTOR TO INSTALL NEW CONDENSING UNIT ON EXISTING REFRIGERATION RACK STAND, AND REUSE EXISTING REFRIGERANT PORTAL FOR NEW DRIVE-THRU SPLIT SYSTEM. ROUTE NEW REFRIGERANT PIPING DOWN THROUGH EXISTING REFRIGERANT PORTAL TO EQUIPMENT BELOW. COORDINATE WITH STRUCTURAL FOR EXACT LOCATION AND INSTALLATION REQUIREMENTS.
- 8 OUTSIDE AIR INTAKE HOOD. ENSURE THAT HOOD INTAKE IS A MINIMUM OF 10'-0" FROM ANY EXHAUST OR PLUMBING VENT DISCHARGE.
- 9 NOTE NOT USED.
- 10 NOTE NOT USED.
- 11 NOTE NOT USED.
- 12 CONTRACTOR TO INSTALL NEW CONDENSING UNIT ON NEW REFRIGERATION RACK STAND, AND NEW REFRIGERANT PORTAL FOR EXPANDED BOH AREA SPLIT SYSTEM. ROUTE NEW REFRIGERANT PIPING DOWN THROUGH NEW REFRIGERANT PORTAL TO EQUIPMENT BELOW. COORDINATE WITH STRUCTURAL FOR EXACT LOCATION AND INSTALLATION REQUIREMENTS.



**Chick-fil-A**  
5200 Buffington Road  
Atlanta, Georgia  
30349-2998



www.cphcorp.com  
**A Full Service  
A & E Firm**  
Plans Prepared By:  
CPH, Inc.  
State of Florida Licenses:  
Engineer No. 3215  
Surveyor No. LB7143  
Architect No. AA26000926  
Landscape No. LC000298



**CHICK-FIL-A**  
**THE FOUNTAINS OF**  
**MIRAMAR**  
3211 SW 160th AVENUE  
MIRAMAR, FLORIDA 33027

**FSU # 01722**  
BUILDING TYPE / SIZE: S03  
RELEASE: 22-12

REVISION SCHEDULE		
NO.	DATE	DESCRIPTION
2	03/25/21	OWNER REVISIONS
4	08/14/23	PERMIT REV 3
7	11/25/24	PERMIT REVISION 6
8	04/08/25	BID ADD 1
11	02/04/26	CONST REV 4

CONSULTANT PROJECT # C29136  
PRINTED FOR CONSTRUCTION  
DATE 10/31/2023  
DRAWN BY JRH

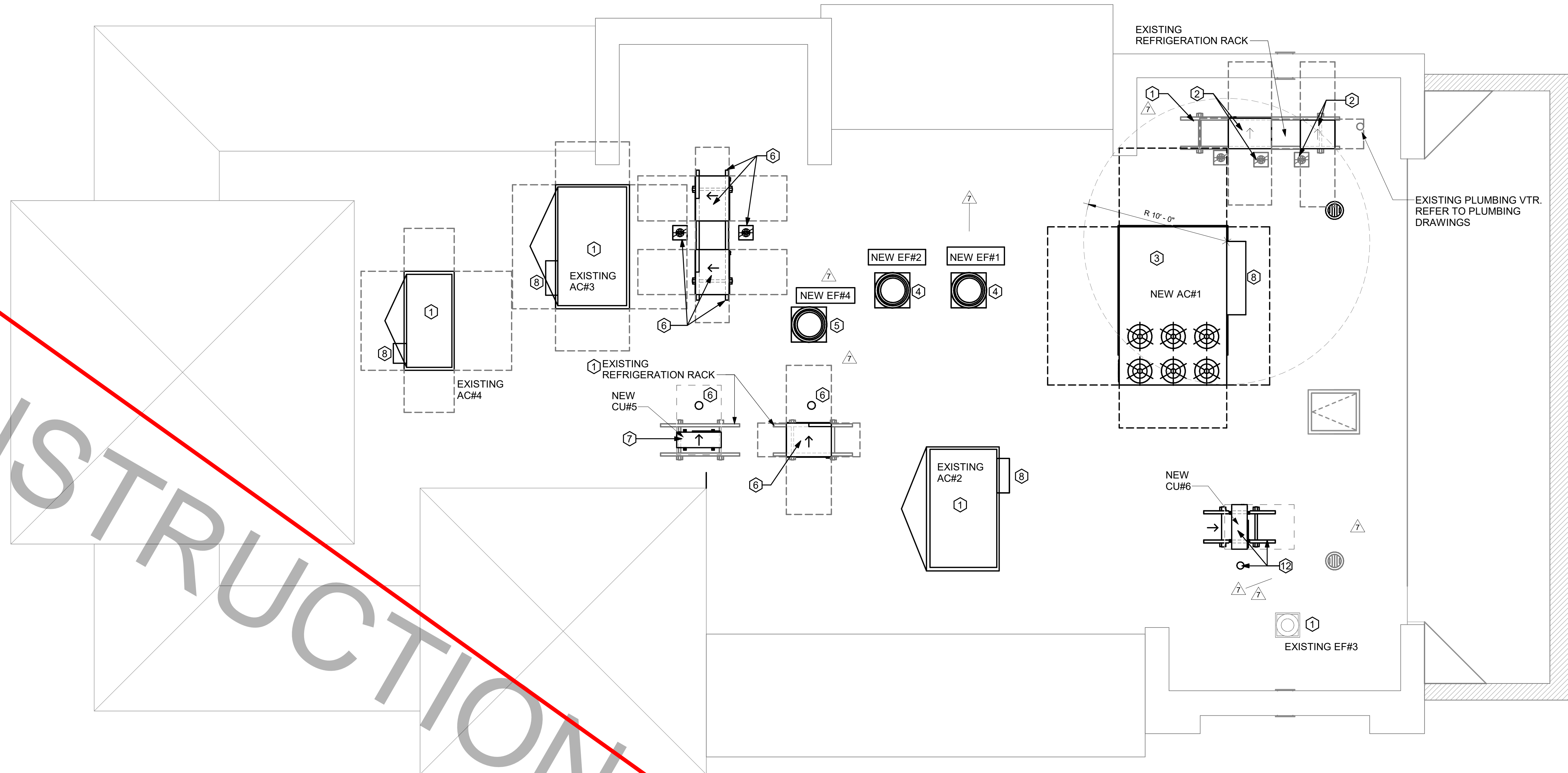
Information contained on this drawing and in all digital files produced for above named project may not be reproduced in any manner without express written or verbal consent from authorized project representatives.

SHEET MECHANICAL ROOF PLAN

CONSTRUCTION

SHEET NUMBER  
**M-250**

FOR CONSTRUCTION



**1 MECHANICAL ROOF PLAN**  
1/4" = 1'-0"

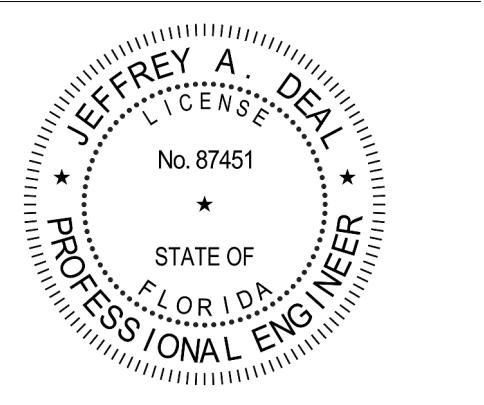
- MECHANICAL GENERAL NOTES:**
- ALL WORK PERFORMED SHALL BE IN ACCORDANCE WITH ALL LOCAL CODES AND ACCEPTABLE TO THE AUTHORITY HAVING JURISDICTION.
  - ALL DIMENSIONS, CLEARANCES AND TOLERANCES SHALL BE VERIFIED PRIOR TO INSTALLATION.
  - ALL MATERIALS, FIXTURES AND EQUIPMENT USED SHALL BE IN ACCORDANCE WITH CHICK-FIL-A SPECIFICATIONS. SPECIFICATIONS ARE CONTAINED WITHIN THESE DRAWINGS ANY VARIANCE FROM THE CHICK-FIL-A SPECIFICATIONS SHALL BE REVIEWED AND APPROVED BY THE ENGINEER-OF-RECORD.
  - ALL EQUIPMENT SHALL BE INSTALLED IN ACCORDANCE WITH ITS LISTING AND/OR THE MANUFACTURER'S INSTALLATION INSTRUCTIONS.
  - SEE COORDINATION SCHEDULE FOR ADDITIONAL SCOPE OF WORK.
  - AT EACH PIECE OF ROOF EQUIPMENT, PROVIDE UNIT DESIGNATION ON A PLASTIC ENGRAVED LABEL WITH 1" HIGH WHITE LETTERS ON A BLACK BACKGROUND. THE LABEL IS TO HAVE A SELF ADHESIVE BACKING.

- KEY NOTES:**
- EXISTING EQUIPMENT TO REMAIN.
  - CONTRACTOR TO INSTALL NEW FREEZER/COOLER CONDENSING UNIT. ROUTE NEW INSULATED REFRIGERANT PIPING DOWN THROUGH EXISTING REFRIGERANT GOOSENECK TO NEW FREEZER/COOLER EVAPORATOR BELOW. RECHARGE REFRIGERANT SYSTEM. REFER TO KEY NOTE #2 ON SHEET M-101.
  - CONTRACTOR SHALL INSTALL NEW LENNOX AC#1 RTU AND ROOF CURB. CONTRACTOR SHALL COORDINATE ROOF PENETRATION OPENINGS. REFER TO RTU SCHEDULE FOR FURTHER INFORMATION.
  - CONTRACTOR SHALL INSTALL NEW GREASE EXHAUST FAN PER EXHAUST FAN SCHEDULE ON MECHANICAL SHEET M-402. ENSURE THAT NEW EXHAUST FAN IS INSTALLED A MINIMUM 10'-0" FROM ALL AIR INTAKE OPENINGS AND PARAPET. PROVIDE NEW CURB.
  - CONTRACTOR SHALL INSTALL NEW GREASE EXHAUST FAN PER EXHAUST FAN SCHEDULE ON MECHANICAL SHEET M-402 THRU EXISTING EXHAUST FAN OPENING. PROVIDE NEW CURB IN LOCATION SHOWN.
  - CONTRACTOR TO INSTALL NEW CONDENSING UNITS ON NEW REFRIGERATION RACK STAND AND NEW REFRIGERANT PORTAL FOR KITCHEN ICE MACHINE. ROUTE NEW REFRIGERANT PIPING DOWN TO EQUIPMENT BELOW. COORDINATE WITH STRUCTURAL FOR EXACT LOCATION AND INSTALLATION REQUIREMENTS.
  - CONTRACTOR TO INSTALL NEW CONDENSING UNIT ON EXISTING REFRIGERATION RACK STAND, AND REUSE EXISTING REFRIGERANT PORTAL FOR NEW DRIVE-THRU SPLIT SYSTEM. ROUTE NEW REFRIGERANT PIPING DOWN THROUGH EXISTING REFRIGERANT PORTAL TO EQUIPMENT BELOW. COORDINATE WITH STRUCTURAL FOR EXACT LOCATION AND INSTALLATION REQUIREMENTS.
  - OUTSIDE AIR INTAKE HOOD. ENSURE THAT HOOD INTAKE IS A MINIMUM OF 10'-0" FROM ANY EXHAUST OR PLUMBING VENT DISCHARGE.
  - NOTE NOT USED.
  - NOTE NOT USED.
  - NOTE NOT USED.
  - CONTRACTOR TO INSTALL NEW CONDENSING UNIT ON NEW REFRIGERATION RACK STAND, AND NEW REFRIGERANT PORTAL FOR EXPANDED BOH AREA SPLIT SYSTEM. ROUTE NEW REFRIGERANT PIPING DOWN THROUGH NEW REFRIGERANT PORTAL TO EQUIPMENT BELOW. COORDINATE WITH STRUCTURAL FOR EXACT LOCATION AND INSTALLATION REQUIREMENTS.



**Chick-fil-A**  
5200 Buffington Road  
Atlanta, Georgia  
30349-2998

**cph**  
www.cphcorp.com  
**A Full Service  
A & E Firm**  
Plans Prepared By:  
**CPH, Inc.**  
State of Florida Licenses:  
Engineer No. 3215  
Surveyor No. LB7143  
Architect No. AA26000926  
Landscape No. LC000298



**CHICK-FIL-A**  
**THE FOUNTAINS OF**  
**MIRAMAR**  
3211 SW 160th AVENUE  
MIRAMAR, FLORIDA 33027

**FSU # 01722**  
BUILDING TYPE / SIZE: S03  
RELEASE: 22-12

**REVISION SCHEDULE**

NO.	DATE	DESCRIPTION
1	03/25/21	OWNER REVISIONS
3	08/14/23	PERMIT REV 3
6	11/25/24	PERMIT REVISION 6
7	04-08-25	BID ADD 1

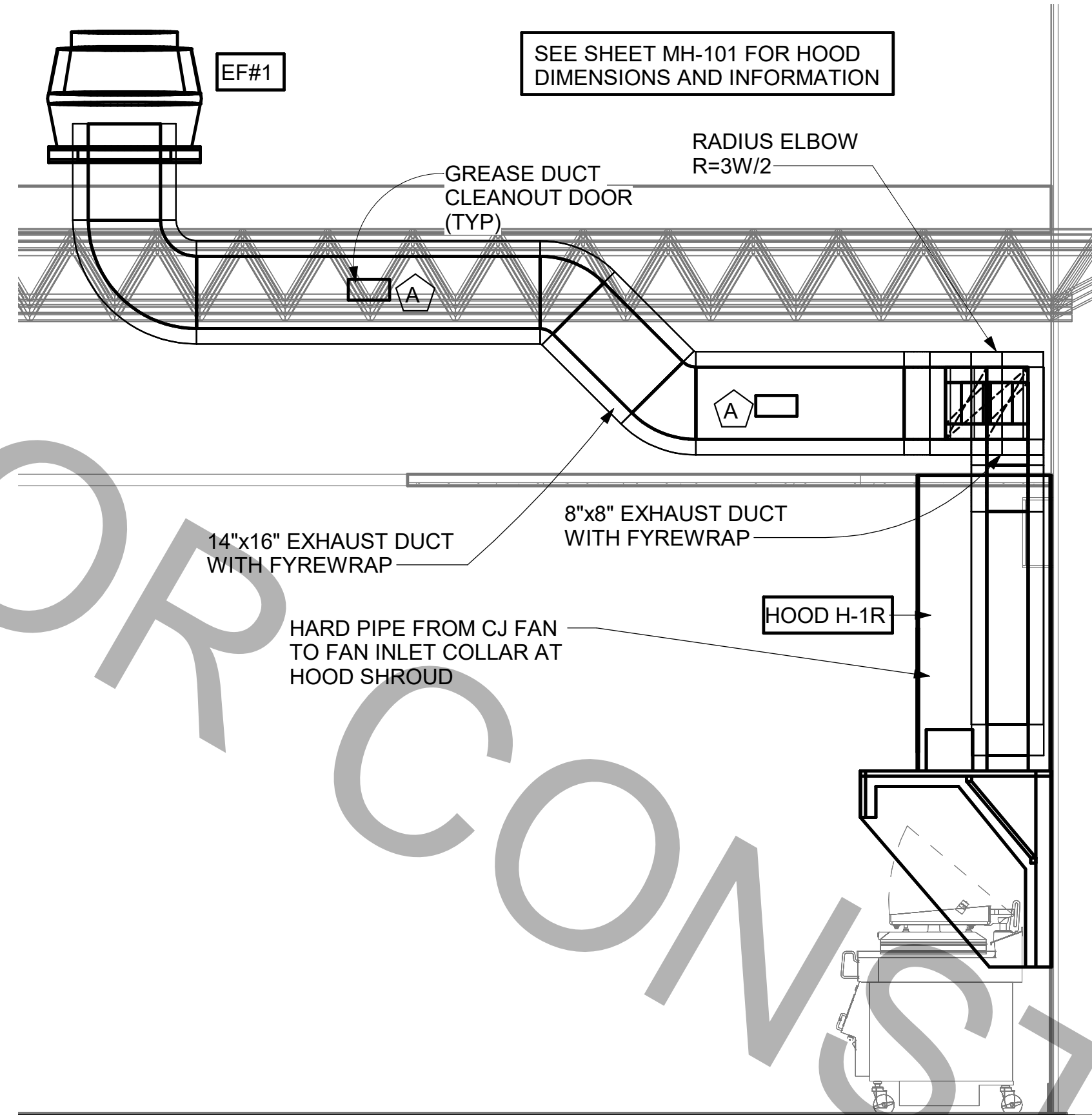
**CONSTRUCTION**

CONSULTANT PROJECT # C29136  
PRINTED FOR CONSTRUCTION  
DATE 01-22-21  
DRAWN BY JRH

Information contained on this drawing and in all digital files produced for above named project may not be reproduced in any form or by any means without express written or verbal consent from the consultant.

**MECHANICAL ROOF PLAN**

SHEET NUMBER  
**M-250**



### KITCHEN HOOD SYSTEMS NOTES

- CHICK-FIL-A MAINTAINS A NATIONAL ACCOUNT WITH HALTON CO. FOR THE HOODS. CHICK-FIL-A WILL PURCHASE AND PROVIDE THE HOODS FOR INSTALLATION BY THE MECHANICAL CONTRACTOR. THE MECHANICAL CONTRACTOR SHALL BE RESPONSIBLE FOR RECEIVING THE HOODS. CONTACT HALTON CO. AT 270-237-5600 FOR MORE INFO.
- THE FIRE SUPPRESSION SYSTEM SHALL CONSIST OF A COMPLETE WET ANSUL SYSTEM FURNISHED BY HALTON. THE HOOD SHALL BE FURNISHED PRE-PIPED BY HALTON.
- THE R-102 ANSUL FIRE SUPPRESSION SYSTEM EXTERNAL TO THE HOODS SHALL BE INSTALLED IN ACCORDANCE WITH HOOD MANUFACTURER'S SHOP DRAWINGS BY AN AUTHORIZED ANSUL SYSTEM INSTALLER HIRED BY HALTON.
- HOOD EXHAUST DUCTWORK SHALL BE 16 GA. BLACK STEEL WITH CONTINUOUS LIQUID TIGHT WELD OF JOINTS & SEAMS.
- TURNS IN GREASE EXHAUST DUCTWORK SHALL BE LONG RADIUS TYPE, WITH A CENTERLINE RADIUS R=3W/2, NO EXCEPTIONS ALLOWED.
- ALL STAINLESS STEEL CLOSURE PANELS SHALL BE SUPPLIED BY HOOD MANUFACTURER AND INSTALLED BY THE MECHANICAL CONTRACTOR ACCORDING TO MANUFACTURER'S RECOMMENDATIONS.
- SLOPE ALL GREASE EXHAUST DUCT BACK TO HOOD AT 1/4" PER FOOT OF RUN.
- WRAP NEW GREASE DUCT WITH UNIFRAX FYREWWRAP. INSULATION ON ACCESS DOORS SHALL BE INSTALLED ACCORDING TO MANUFACTURER'S INSTALLATION RECOMMENDATIONS. UNIFRAX FYREWWRAP PRODUCT USED SHALL MEET LOCAL CODE REQUIREMENTS.
- SUPPORT HOODS WITH THREADED ROD AT EACH FACTORY SUPPORT POINT. EACH SUPPORT POINT MUST SUPPORT THE HOOD WEIGHT EQUALLY. ATTACH TO STRUCTURE AS DETAILED ON STRUCTURAL DRAWINGS.

### GREASE EXHAUST DUCT CLEARANCE NOTE

CLEARANCES ABOVE CEILING ARE TIGHT. MECHANICAL CONTRACTOR TO FIELD VERIFY EXACT ROUTING AND CLEARANCES PRIOR TO FABRICATING GREASE EXHAUST DUCT.

### CAPTURE JET NOTE

REFER TO "CAPTURE-JET FAN INSTALLATION AND DIMENSIONAL DATA" SCHEDULE ON HALTON SHOP DRAWINGS (SHEET MH-101) FOR INFORMATION ON CAPTURE JET FAN.

### HOOD ELEVATION NOTE

SEE DETAILS ON HALTON SHOP DRAWINGS ON SHEET MH-101 FOR DETAILS ON ELEVATION, STANDOFFS, CLEARANCES, AND HOOD CONSTRUCTION.

### CLEANOUT DOOR NOTE

DUCT WRAP SHALL BE APPLIED TO THE CLEANOUT DOOR PER THE WRAP MFR'S INSTALLATION INSTRUCTIONS, NO EXCEPTIONS. ALSO, THE CLEANOUT DOOR MUST BE REMOVABLE WITHOUT TOOLS AND MUST BE CLEARLY AND PERMANENTLY LABELED.

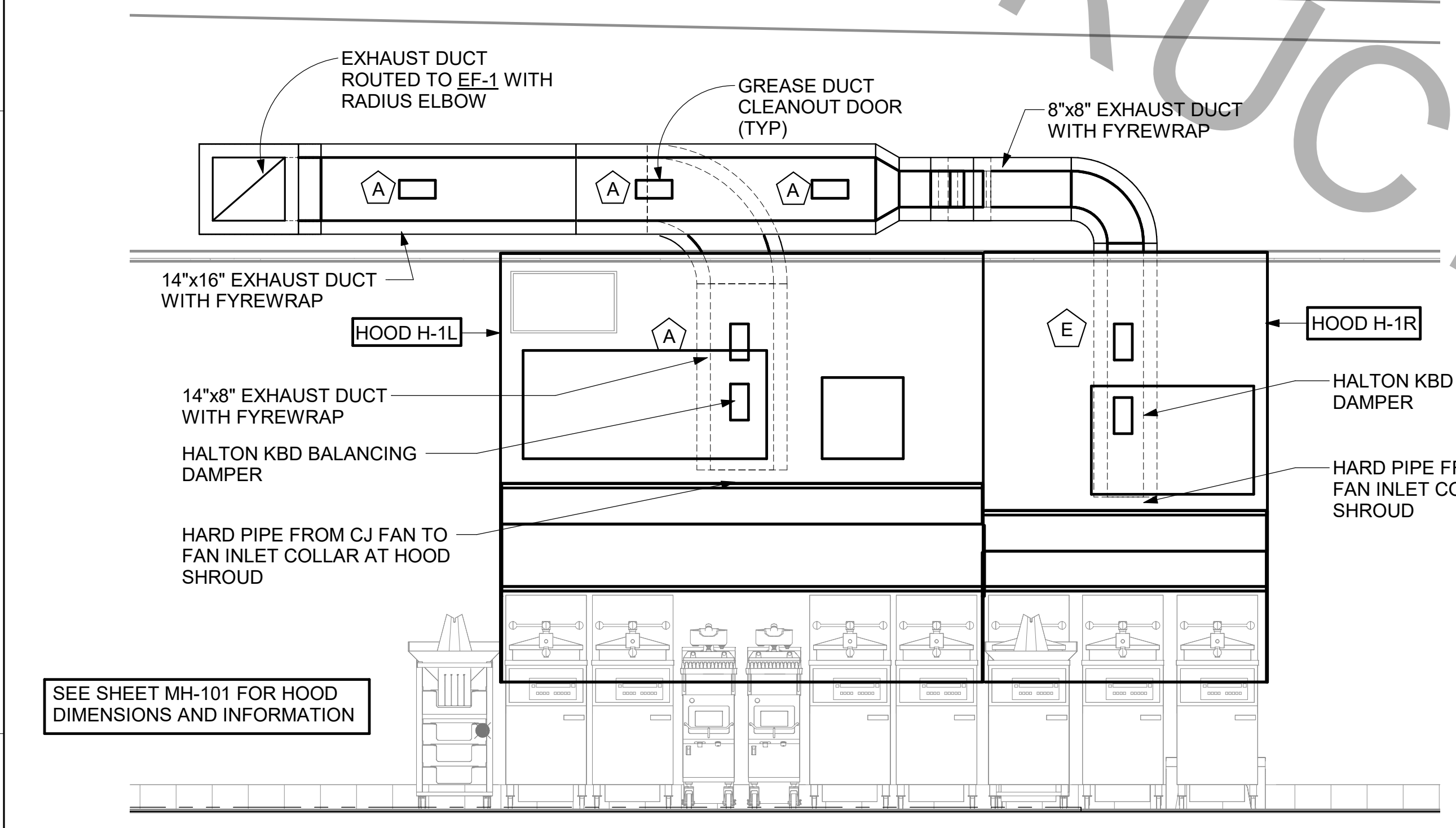
### HOOD COMBUSTIBLE CLEARANCE NOTE

ALL NEW HOODS SHALL BE RATED WITH ONE INCH THICK LAYER OF FACTORY INSTALLED INSULATION TO MEET "ZERO INCH CLEARANCE" TO COMBUSTIBLE MATERIALS. HOOD SHALL BE CERTIFIED BY ETL SPECIFICATIONS, AND SHALL CONFORM TO UL STANDARD 710, BUILT PER NFPA 96 SECTION 4.2.2., AND NSF LISTED.

### H.E.S.S. SYSTEM NOTE

MECHANICAL CONTRACTOR TO PROVIDE AND INSTALL SUNCOAST H.E.S.S. SYSTEM FOR ALL NEW HOODS. SEE FAN AND EQUIPMENT INTERLOCK WIRING DIAGRAM ON SHEET M-501

5 HOOD H-1L AND H-1R GREASE EXHAUST DUCT UP TO EXHAUST FAN  
1/2" = 1'-0"

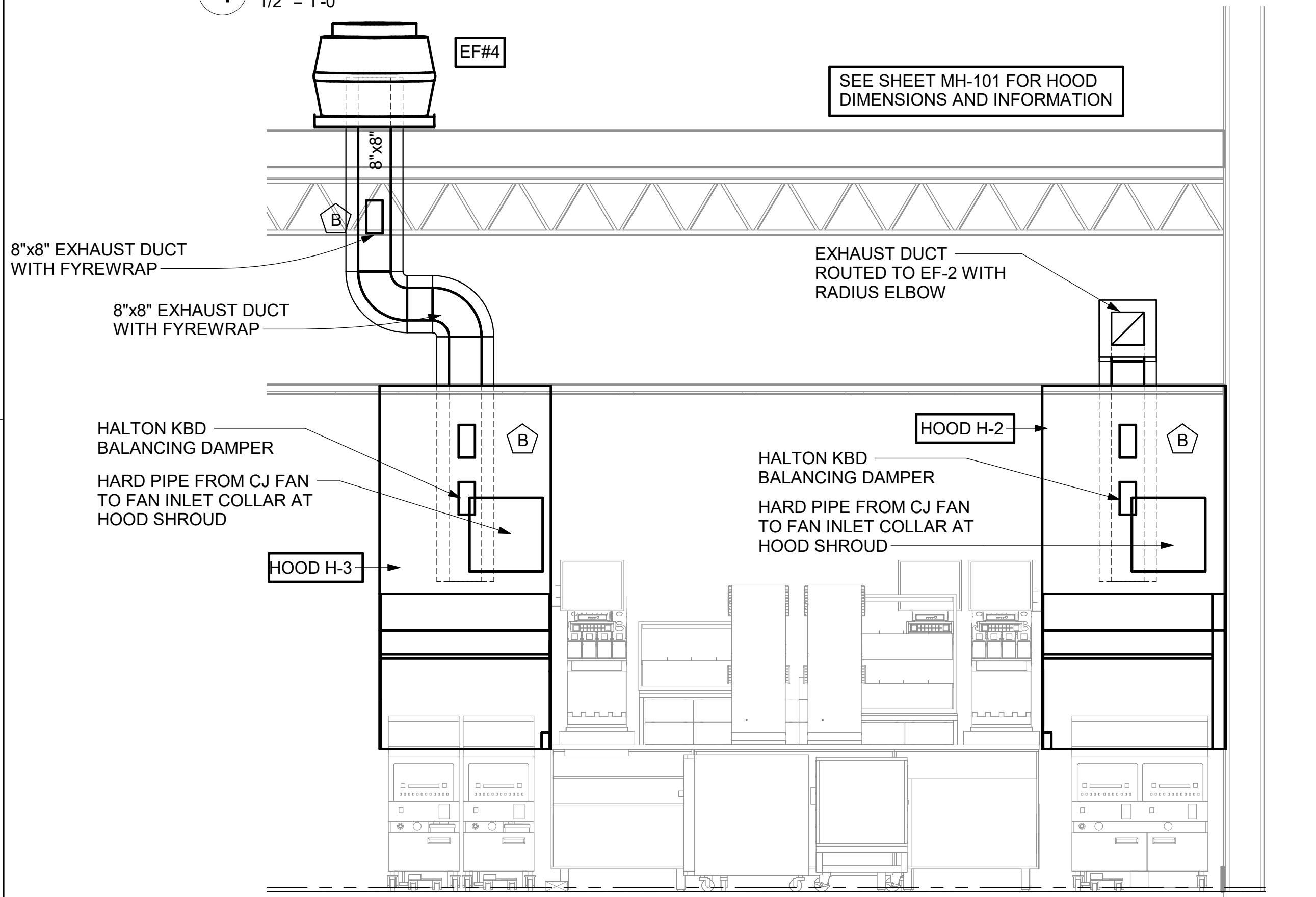


### HOOD SCHEDULE

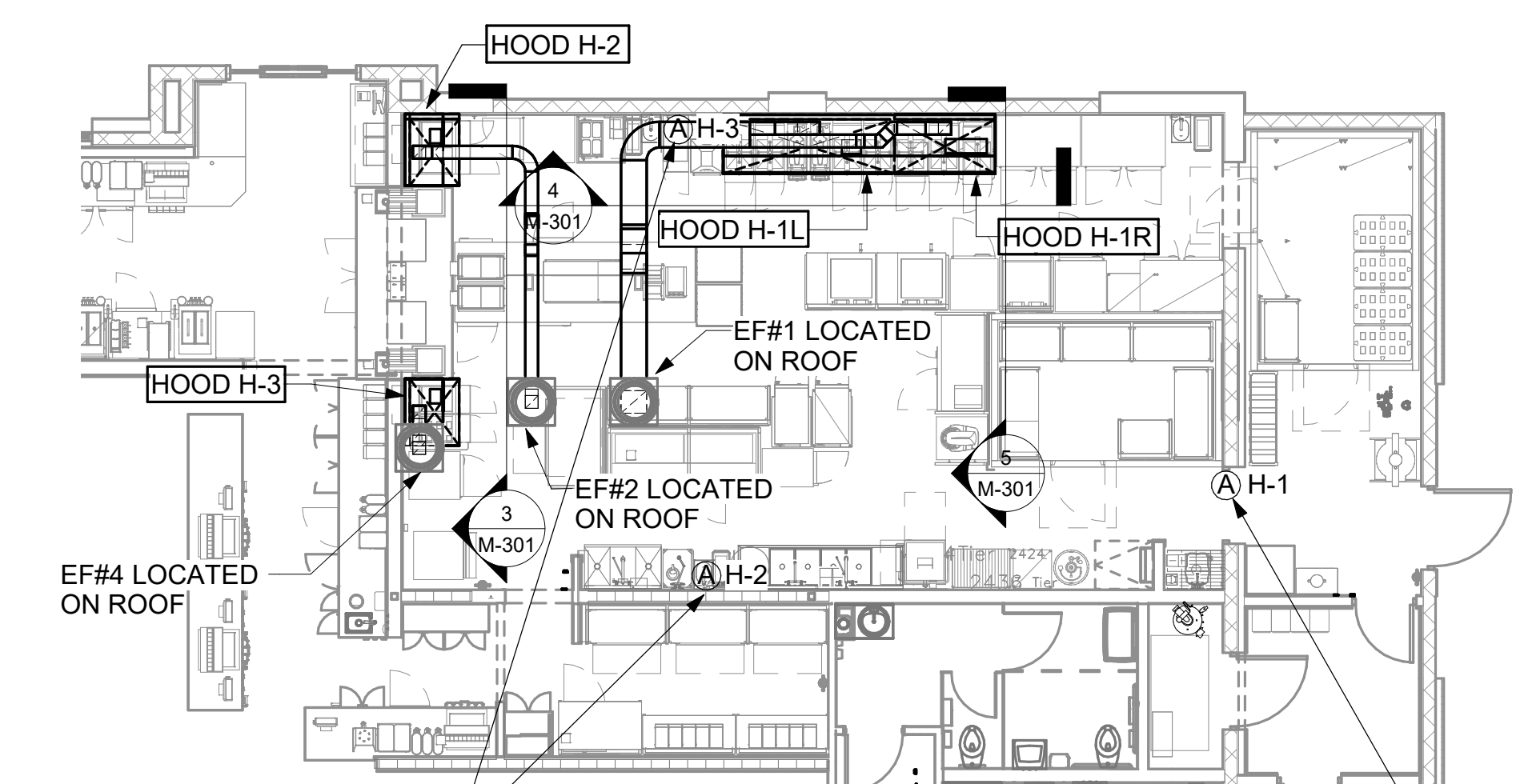
MARK	EXHAUST CFM	SP @ TAB PORT	CAPTURE JET CFM & S.P.	TYPE	COLLAR SIZE	WIDTH	DEPTH	HEIGHT	MANUFACTURER	MODEL	REMARKS
NEW HOOD H-1L	1204	0.13	80 @ 0.30"	BACK-SHELF	14"x8"	107	37	38	HALTON	KVL-2-IC	1,2,3,4,5,7,8,9,12,17,21,23
NEW HOOD H-1R	709	0.13	47 @ 0.30"	BACK-SHELF	8"x8"	63	37	38	HALTON	KVL-2-IC	1,2,3,5,7,8,9,12,21,22
NEW HOOD H-2	701	0.30	30 @ 0.29"	BACK-SHELF	8"x8"	42	34	38	HALTON	KVL-C-IC	1,2,3,6,7,8,9,10,12,13,15,17,18,21
NEW HOOD H-3	701	0.30	30 @ 0.29"	BACK-SHELF	8"x8"	42	34	38	HALTON	KVL-C-IC	1,2,3,6,7,8,9,11,12,13,16,21

- NOTES**
- DIMENSIONS OF HOODS INCLUDE BACK AND SIDE SPACERS (HEIGHT DOES NOT INCLUDE CLOSURE PANELS).
  - TYPICAL INSTALLATION FOR NEW HOODS. FIELD VERIFY & COORDINATE WITH HOOD DRAWINGS BY HALTON. REFER TO SHEET MH-101 & MH-102 PRIOR TO BID & CONSTRUCTION.
- REMARKS**
- STAINLESS STEEL CONSTRUCTION.
  - PROVIDE FULL HEIGHT SS CLOSURE PANEL WITH ACCESS PANEL IN FRONT LARGE ENOUGH TO REMOVE CAPTURE JET FAN, SERVICE ANSUL COMPONENTS, AND/OR TO ACCESS KBD EQUALIZER JACK SCREW.
  - PROVIDE PRE-PIPED ANSUL R-102 WET FIRE EXTINGUISHING SYSTEM.
  - ANSUL CABINET AND COMPONENTS ABOVE HOOD ON RIGHT SIDE.
  - PROVIDE 3" ZERO CLEARANCE TO COMBUSTIBLE BACK SPACER.
  - PROVIDE 3" ZERO CLEARANCE TO COMBUSTIBLE CUSTOM BACK SPACER TO ACCOMMODATE PIN AND SLEEVE ELECTRICAL BOX.
  - PROVIDE EQUIPMENT I.D. LABELS LOCATED ON FRONT LEADING EDGE OF HOOD.
  - PROVIDE FACTORY WALL MOUNTING ANGLE AT TOP OF HOOD.
  - PROVIDE TOP PLENUM CAPTURE JET FAN, SPEED CONTROLLER AND COLLAR.
  - PROVIDE FACTORY INSTALLED INTEGRAL SIDE JET ARM ON RIGHT END.
  - PROVIDE FACTORY INSTALLED INTEGRAL SIDE JET ARM ON LEFT END.
  - PROVIDE CAPTURE JET AIR INLET AND COLLAR AT FRONT OF CLOSURE PANEL.
  - PROVIDE PIN AND SLEEVE ELECTRICAL BOX (DOUBLE CONNECTION). SEE ARCH. AND ELEC. DRAWINGS FOR ADDITIONAL INFORMATION.
  - PROVIDE PIN AND SLEEVE ELECTRICAL BOX (SINGLE CONNECTION). SEE ARCH. AND ELEC. DRAWINGS FOR ADDITIONAL INFORMATION.
  - PROVIDE 3" ZERO CLEARANCE TO COMBUSTIBLE LEFT SIDE SPACER.
  - PROVIDE NOTCHED LEFT END SIDE PANEL.
  - PROVIDE NOTCHED RIGHT END SIDE PANEL.
  - PROVIDE 3"x3" HORIZONTAL AND VERTICAL TRIM ANGLE FOR LEFT SIDE OF HOOD TO FINISH OFF GAP AT WALL.
  - PROVIDE FULL LEFT END SIDE PANEL.
  - PROVIDE FULL RIGHT END SIDE PANEL.
  - PROVIDE HALTON KBD EQUALIZER.
  - CONTINUOUS CAPTURE INTERNAL RIGHT END CUTOUT.
  - CONTINUOUS CAPTURE INTERNAL LEFT END CUTOUT.

4 HOOD H-1L AND HOOD H-1R ELEVATION  
1/2" = 1'-0"



3 HOOD H-2 AND HOOD H-3 ELEVATION  
1/2" = 1'-0"

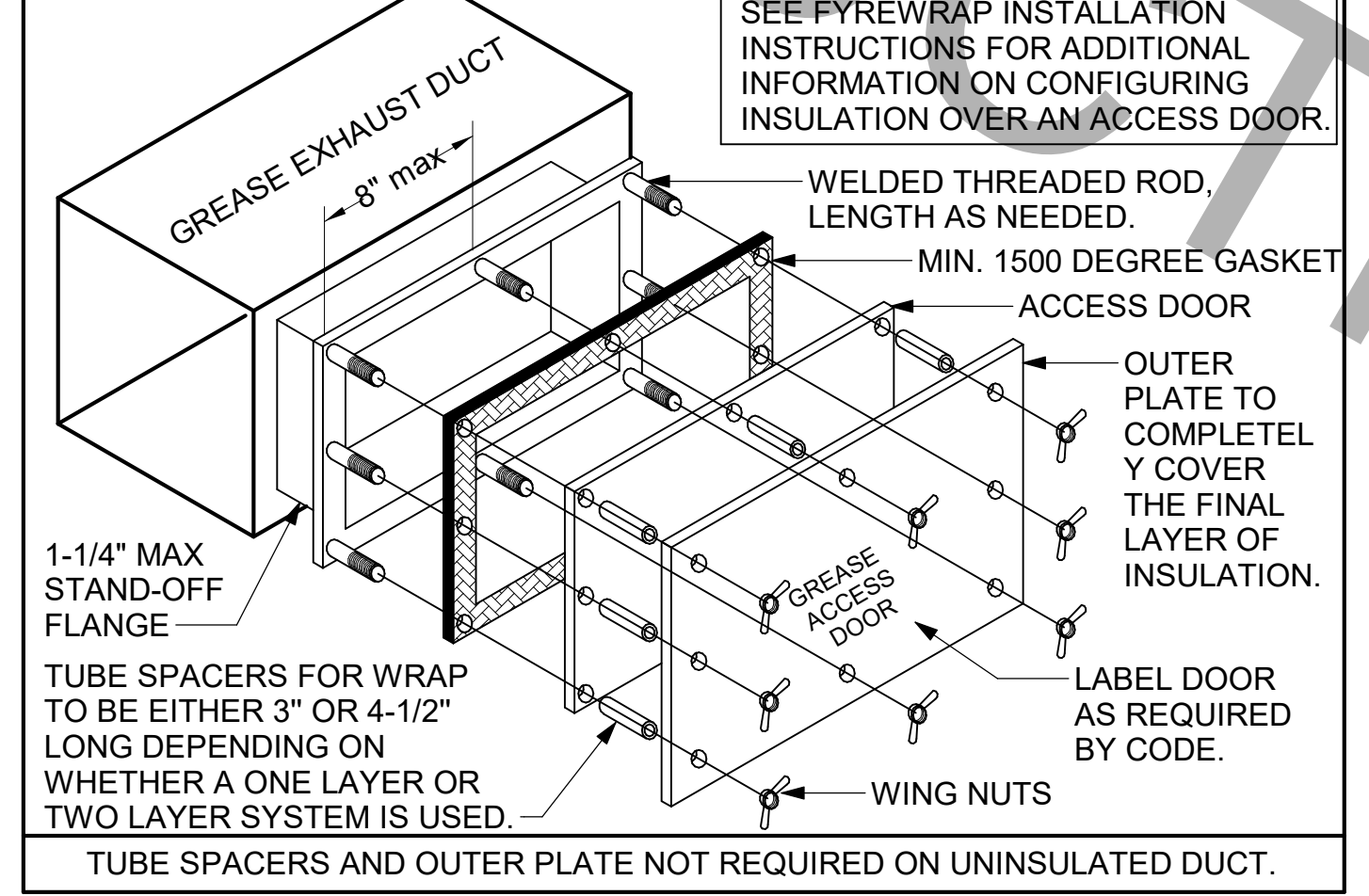


2 HOOD LAYOUT AND ANSUL PULL STATION LOCATIONS  
1/8" = 1'-0"

### GREASE ACCESS DOOR SCHEDULE

MARK	OPENING SIZE	DOOR SIZE	REMARKS
A	9H X 14W	11H X 16W	1
B	5.5H X 14W	7.5H X 16W	1
C	12H X 12W	14H X 14W	1
D	10H X 14W	12H X 16W	1
E	6H X 14W	8H X 16W	1

- ACCESS DOORS SHALL BE UL-1978 LISTED OR FIELD FABRICATED, REQUIRE NO TOOLS FOR REMOVAL AND MEET THE REQUIREMENTS OF THE CURRENT EDITION OF THE IMC. ACCESS DOOR ASSEMBLY SHALL BE WELDED IN PLACE TO THE GREASE EXHAUST DUCT AND THE ACCESS DOOR SHALL BE SECURED WITH THUMB SCREWS. ACCESS DOORS SHALL BE SEALED WITH A MINIMUM 1500 DEGREE GASKET MATERIAL EQUIVALENT TO THAT MANUFACTURED BY BRENTON INDUSTRIES, INC (800) 382-2491.



1 GREASE ACCESS DOOR SCHEDULE  
1/4" = 1'-0"

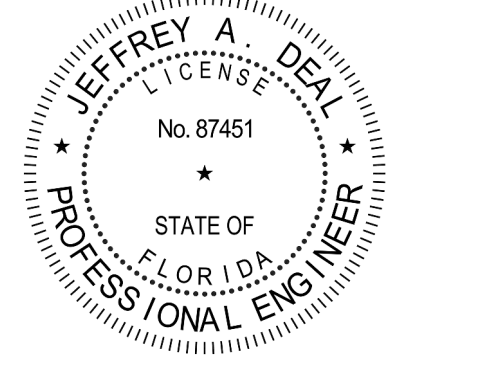


Chick-Fil-A

Chick-Fil-A  
5200 Buffington Road  
Atlanta, Georgia  
30349-2998



www.cphcorp.com  
A Full Service  
A & E Firm  
Plans Prepared By:  
CPH, Inc.  
State of Florida Licenses:  
Engineer No. 3215  
Surveyor No. LB7143  
Architect No. AA26000926  
Landscape No. LC000298



CHICK-FIL-A  
THE FOUNTAINS OF  
MIRAMAR  
3211 SW 16th AVENUE  
MIRAMAR, FLORIDA 33027

FSU # 01722  
BUILDING TYPE / SIZE: S03  
RELEASE: 22-12

REVISION SCHEDULE

NO.	DATE	DESCRIPTION
1	03/25/21	OWNER REVISIONS
3	08/14/22	PERMIT REV 3
6	11/25/24	PERMIT REVISION 6
7	04-08-25	BID ADD 1

CONSULTANT PROJECT # C29136

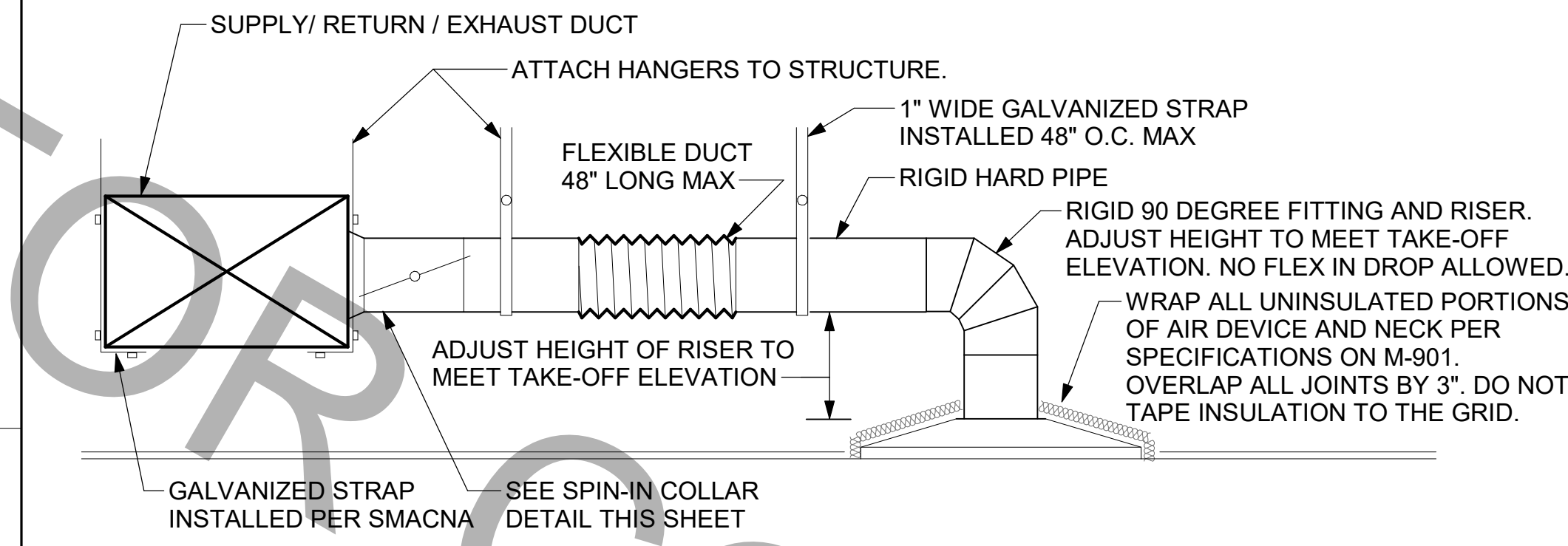
PRINTED FOR	CONSTRUCTION
DATE	01-22-21
DRAWN BY	JRH

Information contained on this drawing and in all digital files produced for above named project may not be reproduced in any manner without express written or verbal consent from authorized project representatives.

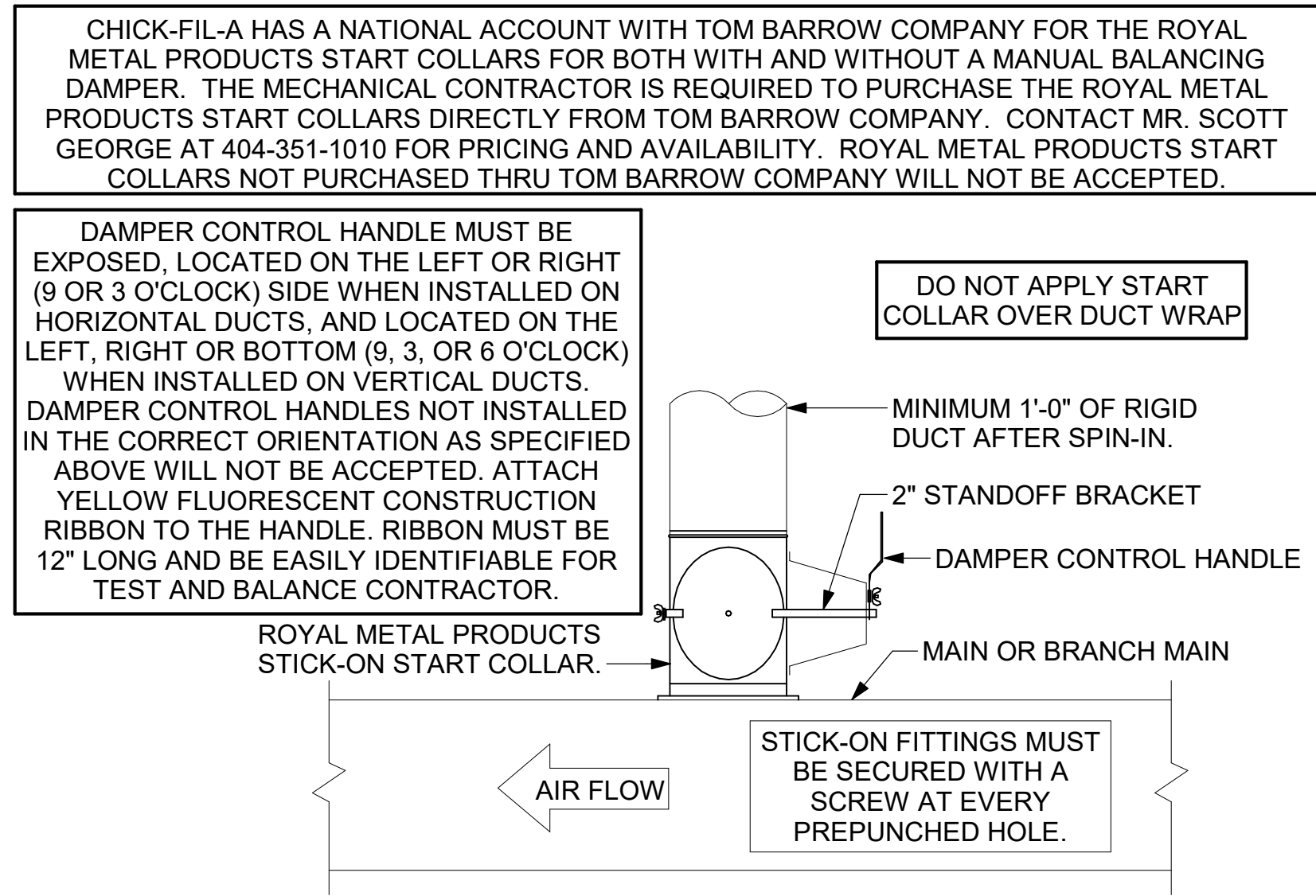
SHEET HOOD DETAILS AND SCHEDULES

SHEET NUMBER  
M-301

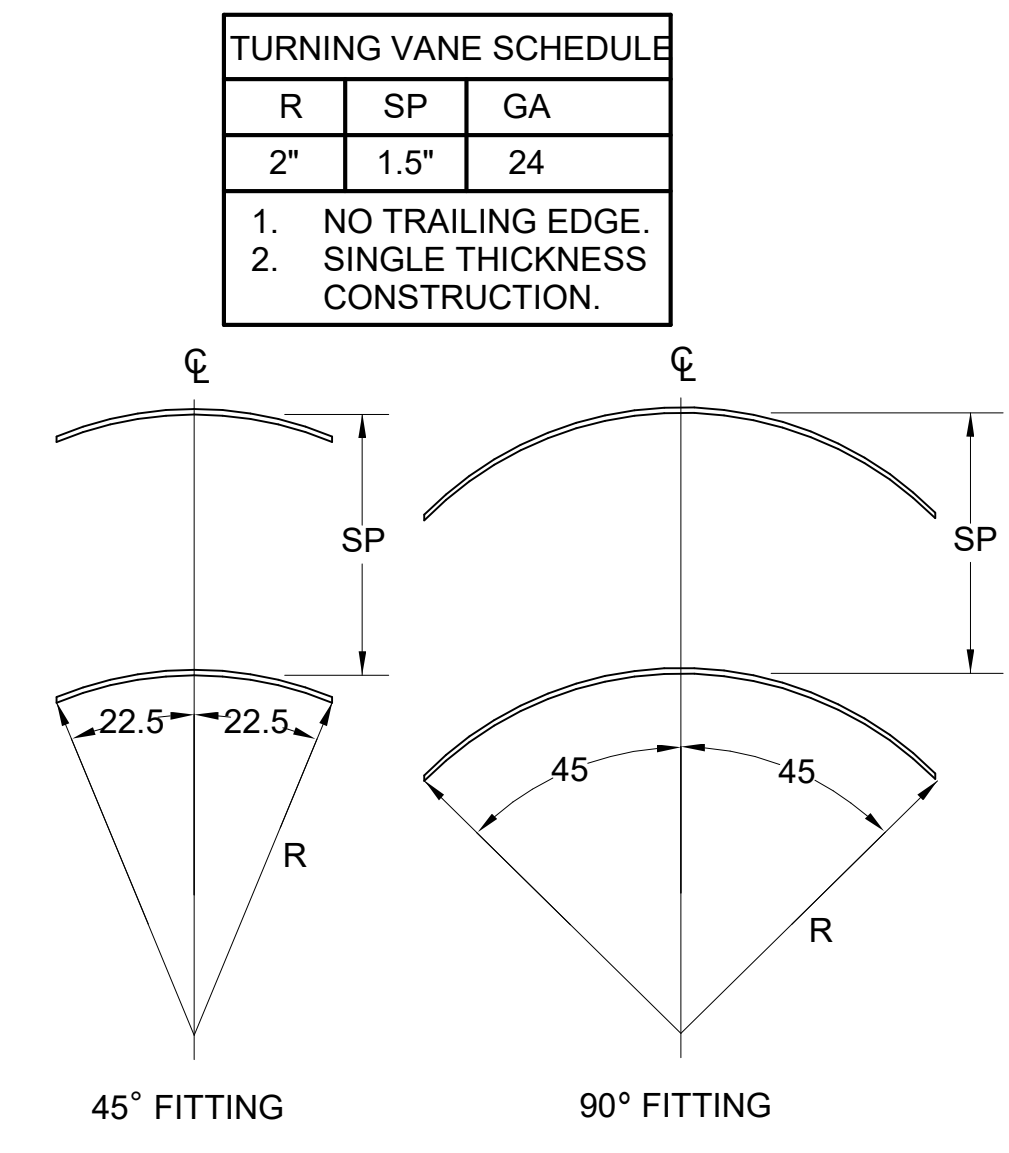
Autodesk Docs://FL\_01722\_The Fountains of Miramar\_2020.10\_REI01722\_Fountains of Miramar\_MEC.rvt  
 4/17/2025 6:21:39 PM  
 30-S03-01722-M-401-HVAC DETAILS



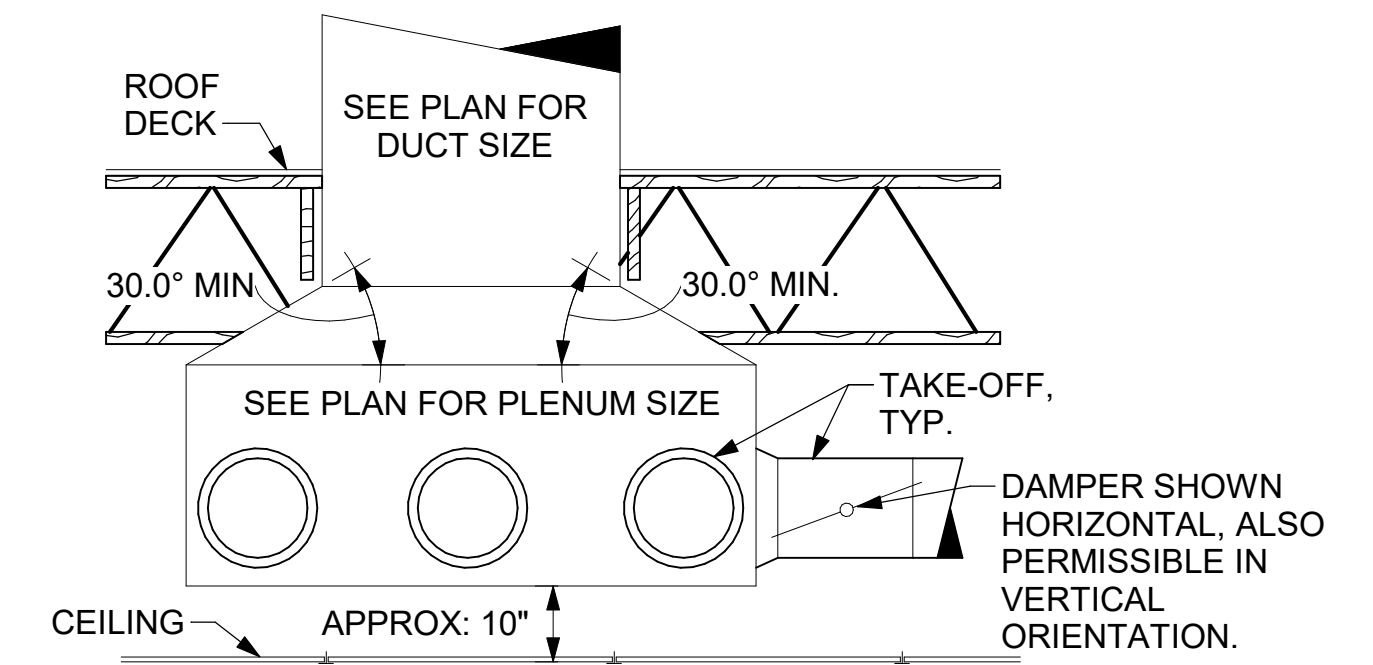
1 SAG/RAG/GRILLE TAKE-OFF - LARGE  
 NOT TO SCALE



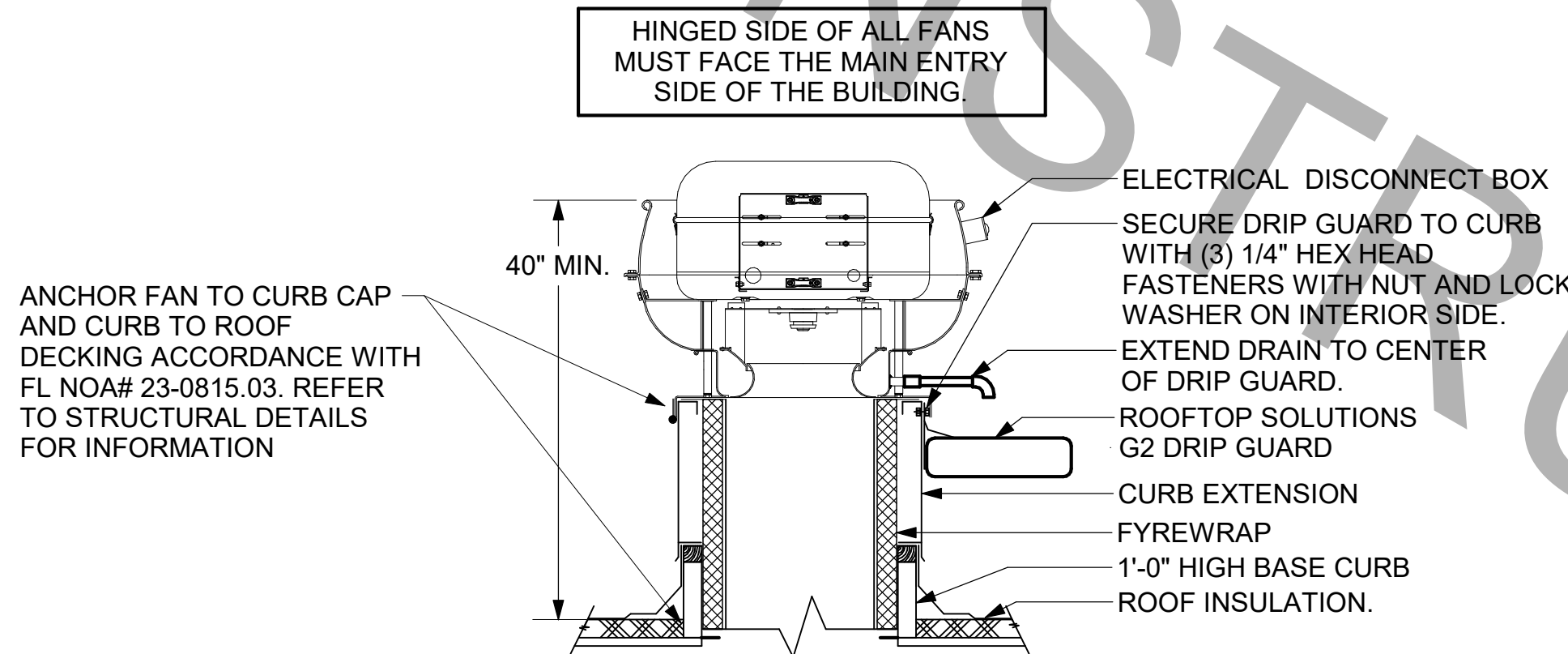
2 START COLLAR - LARGE  
 NOT TO SCALE



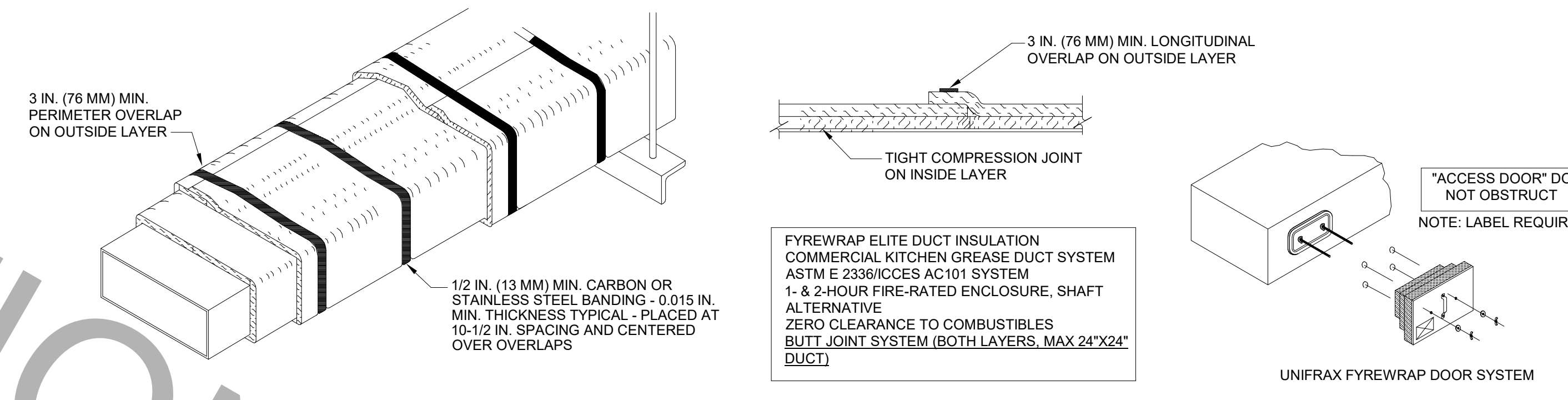
3 TURNING VANES  
 NOT TO SCALE



4 RETURN DROP GEOMETRY  
 NOT TO SCALE



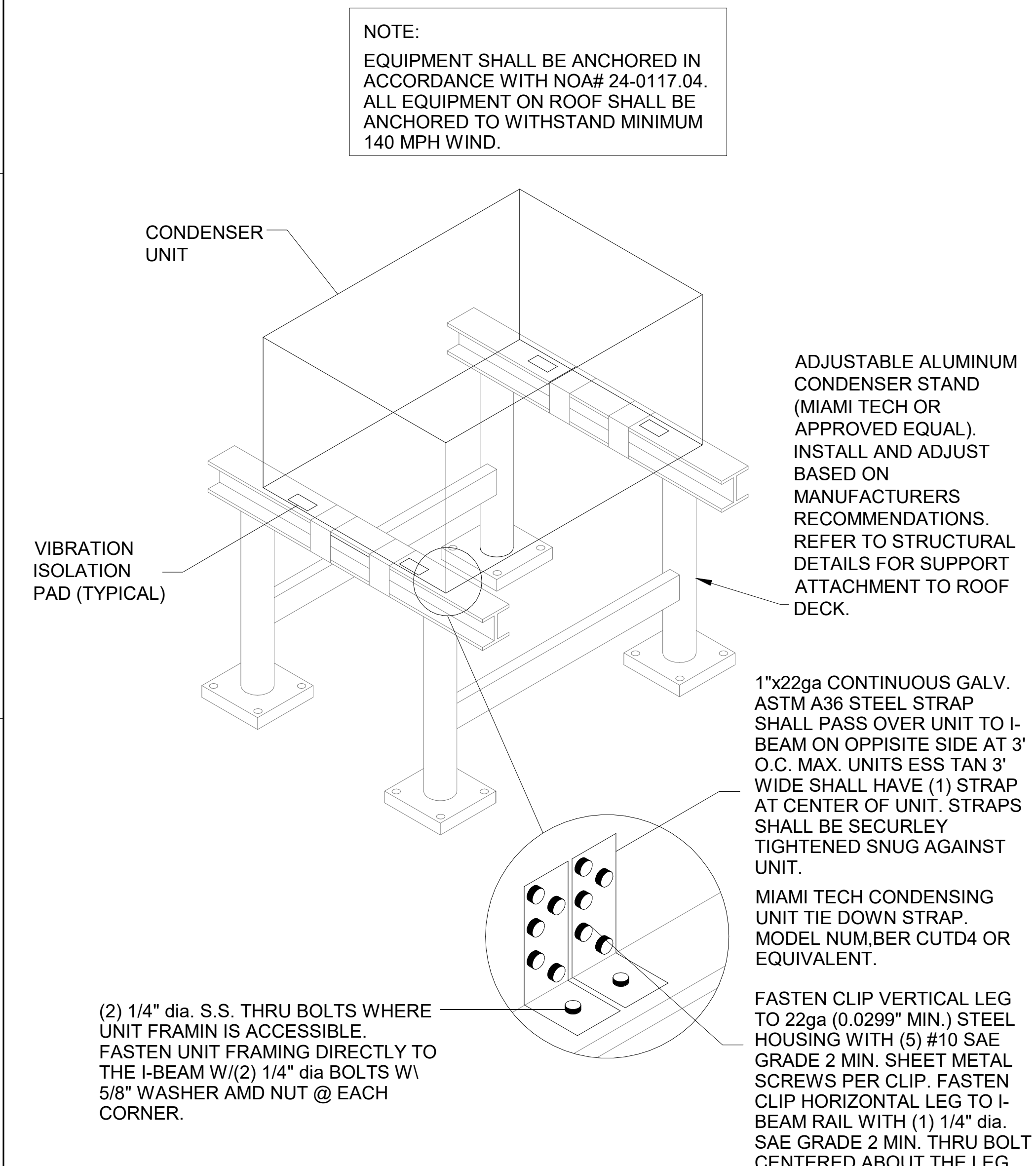
6 KITCHEN HOOD EXHAUST FAN  
 1/4" = 1'-0"



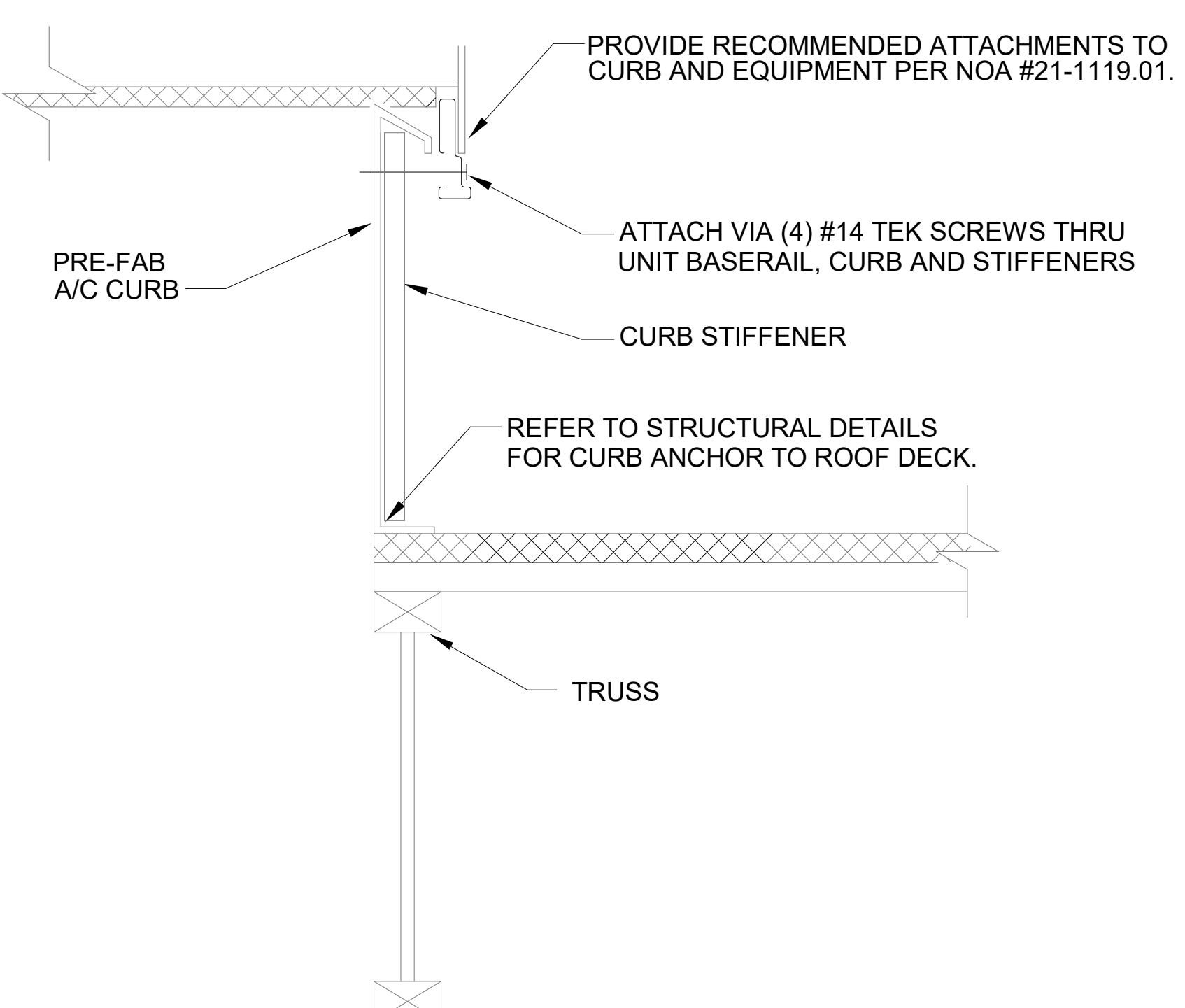
- UNIFRAX FIREWRAP ELITE 1.5 DUCT INSULATION HAS BEEN TESTED IN ACCORDANCE WITH ASTM E 2336 TO PROVIDE ZERO CLEARANCE TO COMBUSTIBLES AND MEETS THE REQUIREMENTS FOR ONE OR TWO HOUR ENCLOSURES THROUGH PENETRATIONS FIRESTOP SYSTEMS ARE TESTED IN ACCORDANCE WITH EITHER ASTM E 814 OR UL 1479. ICC-ES APPROVAL PER REPORT ESR 2213 OR ESR 2832. UNDERWRITERS LABORATORIES (UL) LISTINGS SHOW COMPLIANCE TO UL 1479 FOR THROUGH PENETRATION FIRESTOP SYSTEMS.
- COMPLIANT TO THE FOLLOWING CODES:
 

MECHANICAL CODE	INTERNATIONAL MECHANICAL CODE	UNIFORM MECHANICAL CODE
2020 FLORIDA MECHANICAL CODE	CURRENT EDITION	CURRENT EDITION
NEPA 96	NEPA 96	
CURRENT EDITION	CURRENT EDITION	
- INSULATION APPLIED IN TWO LAYERS WITH TIGHT COMPRESSION JOINT ON INSIDE LAYER AND 3 INCH MINIMUM OVERLAPS ON BOTH PERIMETER AND LONGITUDINAL OVERLAPS ON OUTSIDE LAYER.
- GREASE EXHAUST DUCT RUNS FROM THE HOOD EXHAUST CONNECTION UP TO THE EXHAUST FAN ON THE ROOF WITH MINIMAL TURNS OR BENDS AND MAINTAINING MINIMUM 1/4 UNIT VERTICAL RISE PER 12 UNITS HORIZONTAL RUN. NFPA 96 COMPLIANT ACCESS DOORS LOCATED AS REQUIRED BY CODE.
- UNIFRAX FIREWRAP ELITE 1.5 ACCESS DOORS AS SPECIFIED IN ICC-ES BUILDING CODE REPORTS ESR 2213 OR ESR 2832.
- ROOF MOUNTED EXHAUST FAN IS MOUNTED ON A HINGED BASE WHICH ALLOWS ACCESS TO THE DUCT FROM THE ROOF.
- SUPPORT HANGER SYSTEMS DO NOT NEED TO BE WRAPPED PROVIDED THE HANGER RODS ARE AT LEAST A MINIMUM OF 3/8 IN. DIAMETER. USE MINIMUM 2 X 2 X 1/8 IN. STEEL ANGLE OR SMACNA EQUIVALENT SUPPORT SYSTEM.
- UNIFRAX FIREWRAP ELITE 1.5 DUCT ENCLOSURE SYSTEM SHALL BE INSTALLED IN ACCORDANCE WITH MANUFACTURERS INSTRUCTIONS.
- UNIFRAX FIREWRAP ELITE 1.5 DUCT WRAP SHALL BE INSTALLED ON THE DUCT FROM THE HOOD CONNECTION TO THE CONNECTION TO THE FAN.

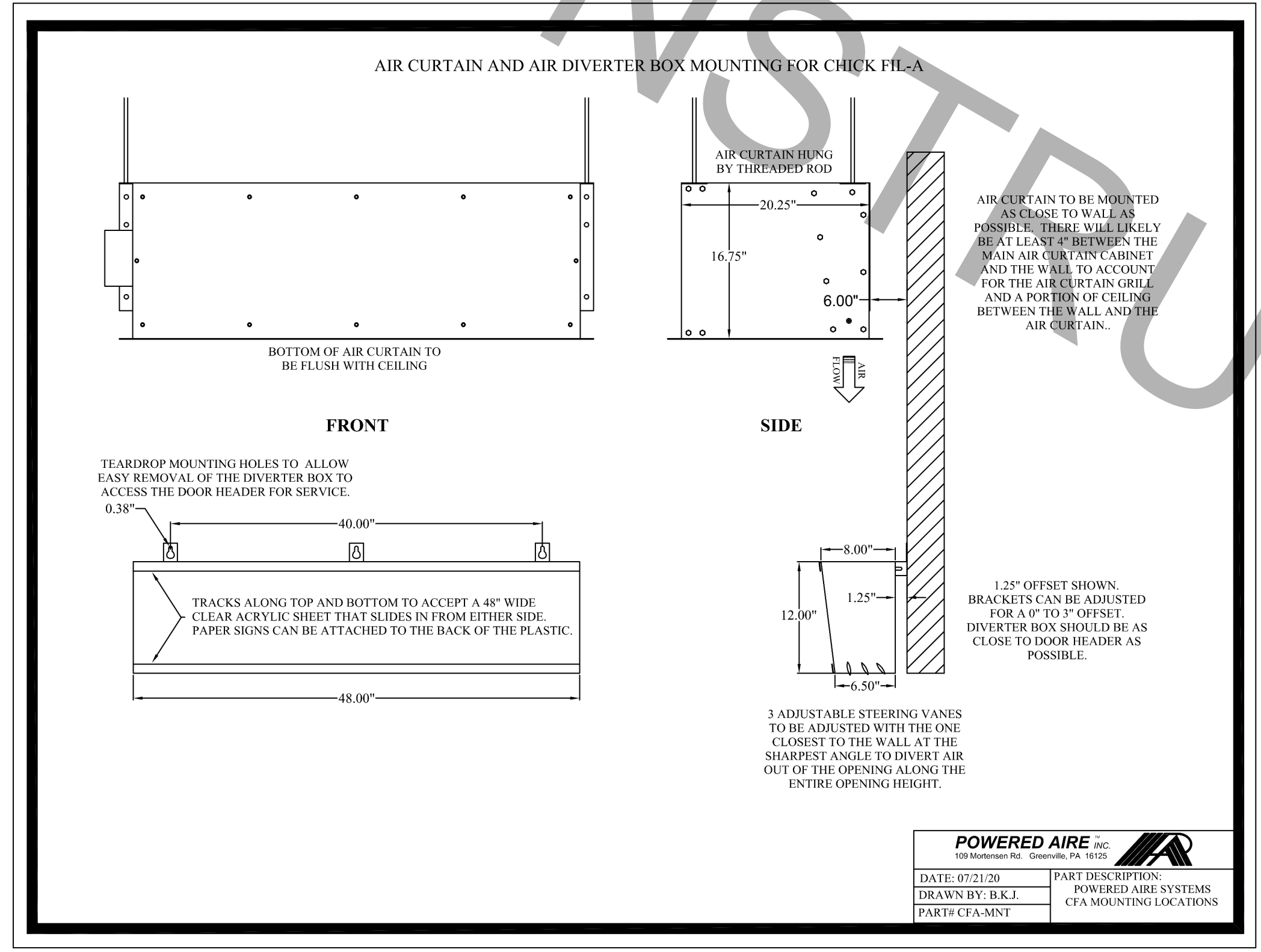
5 GREASE EXHAUST DUCT PROTECTION TO COMBUSTIBLES DETAIL  
 1/4" = 1'-0"



9 CONDENSER UNIT TIE-DOWN DETAIL  
 NOT TO SCALE



7 RTU TIE-DOWN DETAIL-NOA #21-1119.01  
 1/4" = 1'-0"



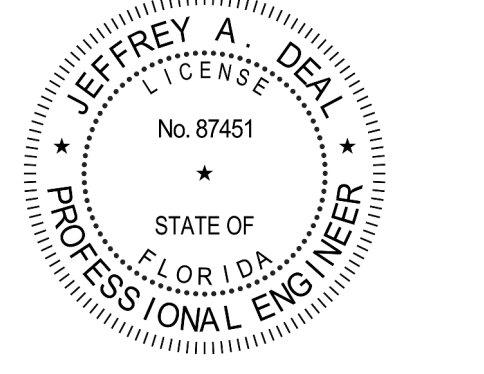
8 AIR DIVERTER DETAIL  
 SCALE: N.T.S.



Chick-Fil-A  
 5200 Buffington Road  
 Atlanta, Georgia  
 30349-2998



www.cphcorp.com  
 A Full Service  
 A & E Firm  
 Plans Prepared By:  
 CPH, Inc.  
 State of Florida Licenses:  
 Engineer No. 3215  
 Surveyor No. LB7143  
 Architect No. AA26000926  
 Landscape No. LC000298



CHICK-FIL-A  
 THE FOUNTAINS OF  
 MIRAMAR  
 3211 SW 160th AVENUE  
 MIRAMAR, FLORIDA 33027

FSU # 01722  
 BUILDING TYPE / SIZE: S03  
 RELEASE: 22-12

NO.	DATE	DESCRIPTION
1	03/25/21	OWNER REVISIONS
2	08/08/21	PERMIT COMMENTS
3	08/14/23	PERMIT REV 3
4	10/27/23	PERMIT REVISION 4
6	11/25/24	PERMIT REVISION 6

CONSULTANT PROJECT # C29136  
 PRINTED FOR CONSTRUCTION  
 DATE 01-22-21  
 DRAWN BY JRH  
 Information contained on this drawing and in all digital files produced for above named project may not be reproduced in any manner without express written or verbal consent from authorized project representatives.  
 SHEET HVAC DETAILS

M-401

FOR CONSTRUCTION

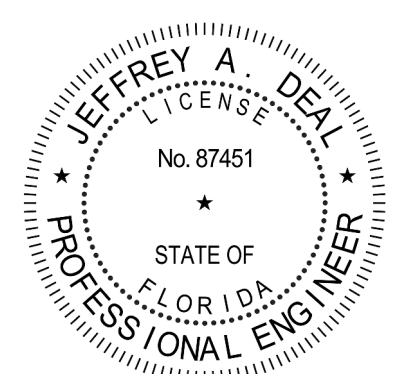


**Chick-Fil-A**  
5200 Buffington Road  
Atlanta, Georgia  
30349-2998

**Chick-Fil-A**  
5200 Buffington Road  
Atlanta, Georgia  
30349-2998



**CPH**  
www.cphcorp.com  
**A Full Service  
A & E Firm**  
Plans Prepared By:  
**CPH, Inc.**  
State of Florida Licenses:  
Engineer No. 3215  
Surveyor No. LB7143  
Architect No. AA26000926  
Landscape No. LC000298



### EXHAUST FAN SCHEDULE

MARK	CFM	ESP	RPM	HP	AREA SERVED	MODEL	MANUFACTURER	REMARKS
EF#1	1,913	0.75	1,078	3/4	HOOD H-1LH-1R	180VCR	LOREN COOK	1,2,3,4,5,7
EF#2	701	0.5	1,007	1/3	HOOD H-3	150VCR-HP	LOREN COOK	1,2,3,4,5,7
EF#3	500	-	-	-	RESTROOMS	-	EXISTING	8
EF#4	701	0.75	1,216	1/3	HOOD H-2	150VCR-HP	LOREN COOK	1,2,3,4,5,7

**NOTES**

- GREASE FAN RPM BASED ON 80 DEGREE F AIR AT 1000 FEET ABOVE SEA LEVEL.
- GREASE EXHAUST FANS SHALL BE UL 762 LISTED.
- CHICK-FIL-A HAS A NATIONAL ACCOUNT WITH TOM BARROW COMPANY FOR THE FAN/CURB PACKAGE. THE MECHANICAL CONTRACTOR SHALL PURCHASE THE AIR DOORS DIRECTLY FROM TOM BARROW COMPANY. CONTACT MR. SCOTT GEORGE AT 404-351-1010, FOR PRICING AND AVAILABILITY. FANS AND CURBS NOT PURCHASED THRU TOM BARROW COMPANY WILL NOT BE ACCEPTED.

**REMARKS**

- FACTORY PROVIDED, WIRED AND UNIT MOUNTED SPEED CONTROLLER LOCATED ABOVE CEILING.
- FACTORY WIRE DISCONNECT.
- FACTORY PROVIDED, FIELD INSTALLED BY MC, REMOTE WALL SWITCHES FOR HEATING ON/OFF AND FAN ON/AUTO. SEE DETAIL, AIR CURTAIN WIRING DIAGRAM.
- FACTORY PROVIDED MAGNETIC DOOR CONTACT WITH FACTORY INSTALLED LOW VOLTAGE CONTROLS LOCATED IN AIR DOOR CABINET.
- PROVIDE WITH DIVERTER BOX, PROVIDE WITH MOUNTING BRACKETS PER MANUFACTURER'S RECOMMENDATION. INSTALL 6" FROM THE WALL.

### AIR BALANCE SCHEDULE

MARK	SUPPLY AIR	RETURN AIR	OUTSIDE AIR	EXHAUST AIR	BUILDING POSITIVE PRESSURE
AC#1 (NEW)	9,500	7,300	2,200		
AC#2	2,650	2,050	600		
AC#3	5,285	4,085	1,200		
AC#4	1,800	1,400	400		
AC#6 (NEW)	1,200	1,145	50		
EF#1				1,913	
EF#2				701	
EF#3				500	
EF#4				701	
<b>TOTALS:</b>	<b>20,435</b>	<b>15,980</b>	<b>4,450</b>	<b>3,815</b>	<b>+635</b>

**NOTES:**

- CONTRACTOR SHALL REBALANCE AIR CONDITIONING SYSTEMS TO VALUES LISTED ABOVE.

### AIR DOOR SCHEDULE

MARK	CFM	VELOCITY	HEATING CAPACITY	HP	AREA SERVED	MODEL	MANUFACTURER	REMARKS
AD#1	1,543	2,240 FPM	10 KW	3/4 HP	DRIVE THRU	CHA-1-48(E)	POWERED AIRE	1,2,4,5
AD#2	3867	4220 FPM	N/A	3/4 HP	REAR DOOR	RBT-1-48	POWERED AIRE	3
AD#3	1,197	1,423 FPM	10 KW	3/4 HP	DRIVE THRU	CHA-1-36(E)	POWERED AIRE	1,2,4

**NOTES**

- CHICK-FIL-A HAS A NATIONAL ACCOUNT WITH TOM BARROW COMPANY FOR THE AIR DOORS. THE MECHANICAL CONTRACTOR SHALL PURCHASE THE AIR DOORS DIRECTLY FROM TOM BARROW COMPANY. CONTACT MR. SCOTT GEORGE AT 404-351-1010, FOR PRICING AND AVAILABILITY. AIR DOORS NOT PURCHASED THRU TOM BARROW COMPANY WILL NOT BE ACCEPTED.

**REMARKS**

- FACTORY PROVIDED, WIRED AND UNIT MOUNTED SPEED CONTROLLER LOCATED ABOVE CEILING.
- FACTORY WIRE DISCONNECT.
- FACTORY PROVIDED, FIELD INSTALLED BY MC, REMOTE WALL SWITCHES FOR HEATING ON/OFF AND FAN ON/AUTO. SEE DETAIL, AIR CURTAIN WIRING DIAGRAM.
- FACTORY PROVIDED MAGNETIC DOOR CONTACT WITH FACTORY INSTALLED LOW VOLTAGE CONTROLS LOCATED IN AIR DOOR CABINET.
- PROVIDE WITH DIVERTER BOX, PROVIDE WITH MOUNTING BRACKETS PER MANUFACTURER'S RECOMMENDATION. INSTALL 6" FROM THE WALL.

### CIRCULATING FAN SCHEDULE

MARK	CFM	RPM	HP	MODEL	MANUFACTURER
CF	5,750	1,625	1/8	U18TE-HD	TPI

**REMARKS**

- ALUMINUM PADDLE WITH STEEL HUB/SPIDER PROPELLER
- 360° ROTATING HEAD HORIZONTALLY AND VERTICALLY
- OSHA COMPLIANT DOUBLE LOCKING, COATED STEEL WIRE GUARD
- 3-SPEED, TOTALLY ENCLOSED, PERMANENTLY LUBRICATED BALL BEARING MOTOR
- FACTORY PRE-WIRED POWER CORD
- PROVIDE FACTORY WALL MOUNTING BRACKET. SEE MANUFACTURER'S RECOMMENDATIONS FOR INSTALLATION INSTRUCTIONS
- PROVIDE ENGRAVED PLASTIC LABEL AT EACH UNIT WITH UNIT DESIGNATION IN 1" HIGH WHITE LETTERS ON A BLACK BACKGROUND, MOUNT TO UNDERSIDE OF CANOPY OR EXISTING OVERHANG, FACING DOWNWARD, 12" LATERALLY FROM THE FAN LOCATION
- REMOVE PULL CHAIN EXTENSION AT ON/OFF SWITCH IN FIELD
- FACTORY CERTIFIED FOR OUTDOOR INSTALLATION

### ELECTRIC ROOFTOP UNIT SCHEDULE

MARK	AREA SERVED	TONNAGE	COOLING CAPACITY (MBH)		HEATING CAPACITY (MBH)		FAN SECTION (CFM) INCLUDING EXISTING				MODEL	% OA	MODEL	MANUFACTURER	ELECTRICAL DATA			REMARKS	APPROX. WEIGHT WITH OPTIONS (POUNDS)
			TOTAL	SENS	KW	MBH	SUPPLY	O.A.	HP	ESP					V/PH/Hz	MCA	MCCP		
NEW AC#1	KITCHEN	25.0	291.6	233.2	60	204.7	9,500	2,200	10	0.8	-	23%	LCT300SM	LENNOX	208/3/60	170	175	1,3,4,5,7,8,9,10,12,14,15,16,17,18,20	2,700
EXISTING AC#2	DINING A, RR, BOH	8.5	EXISTING	EXISTING	EXISTING	EXISTING	2,650	600	-	-	EXISTING	23%	EXISTING	EXISTING	208/3/60	-	-	EXISTING	EXISTING
EXISTING AC#3	DINING B	12.5	EXISTING	EXISTING	EXISTING	EXISTING	5,285	1,200	-	-	EXISTING	23%	EXISTING	EXISTING	208/3/60	-	-	EXISTING	EXISTING
EXISTING AC#4	PLAY AREA	5.0	EXISTING	EXISTING	EXISTING	EXISTING	1,800	400	-	-	EXISTING	22%	EXISTING	EXISTING	208/3/60	-	-	EXISTING	EXISTING

**NOTES:**

- COOLING CAPACITIES ARE GROSS, BASED ON ENTERING: 80FDB/67FWB, OUTDOOR: 95FDB, AND 400 CFM PER TON.
- CHICK-FIL-A MAINTAINS A NATIONAL ACCOUNT FOR EQUIPMENT WITH LENNOX CORPORATION. CONTACT LENNOX NATIONAL ACCOUNTS AT 972-497-6219 (OR BY FAX AT 972-497-5112) FOR PRICING, ORDERING AND AVAILABILITY.
- MECHANICAL CONTRACTOR TO VERIFY LENNOX SUBMITTAL WITH CONSTRUCTION DOCUMENTS.

**REMARKS**

- PROVIDE DIFFERENTIAL ENTHALPHY ECONOMIZER WITH POWER EXHAUST BREAKERS, DISCONNECT, ETC. FOR THE NEW ROOFTOP UNITS PRIOR TO ORDERING AND BID.
- PROVIDE 14" HIGH ROOF CURB. PROVIDE CURBS PLUS RESTRAINT BRACKET, IN ACCORDANCE WITH NOA 21-1119.01, REFER TO STRUCTURAL DETAILS FOR ANCHORING.
- SEE DETAIL ON SHEET M-501 FOR SETTING OF PRODIGY BOARD CONTROL PARAMETERS BY MC.
- PROVIDE FACTORY INSTALLED AND UNIT POWERED 115V GFI SERVICE OUTLET.
- PROVIDE FACTORY INSTALLED 115V GFI SERVICE OUTLET.
- PROVIDE FACTORY INSTALLED SUPPLY AND RETURN SIDE SMOKE DETECTOR.
- PROVIDE FACTORY INSTALLED NON-FUSED DISCONNECT.
- PROVIDE 2" MERV 8 THROW AWAY FILTERS.
- PROVIDE HINGED PANELS FOR FILTER ACCESS, FAN MOTOR ACCESS, COMPRESSOR ACCESS AND CONTROL COMPARTMENT ACCESS.
- ADJUST GAS MANIFOLD PRESSURE AT LOCATIONS WHERE ELEVATION EXCEEDS 200' ABOVE SEA LEVEL AS RECOMMENDED BY MANUFACTURER.
- PROVIDE FACTORY COIL HAIL GUARD, FIELD INSTALLED.
- PROVIDE FACTORY INSTALLED 10" BREAKERS DISCONNECT.
- PROVIDE HUMIDITROL OPTION WITH FACTORY WALL MOUNTED HUMIDITY SENSOR.
- PROVIDE FACTORY INSTALLED BELL TENSIONER.
- PROVIDE FACTORY CONFIGURED PHASE LOSS PROTECTION.
- PROVIDE FACTORY INSTALLED CONDENSATE PAN DRAIN OVERFLOW SWITCH.
- PROVIDE UNIT WITH MERV 8 BLOWER.
- PROVIDE FACTORY STAINLESS STEEL HEAT EXCHANGER.
- PROVIDE WITH 100K SCCR RATING.

### AIR DEVICE SCHEDULE

MARK	DESCRIPTION	LOCATION	NECK SIZE	FACE SIZE	FRAME TYPE	REMARKS
A	PRICE MODEL APDC ALUMINUM SUPPLY AIR DIFFUSER WITH INDIVIDUALLY ADJUSTABLE CURVED AIR PATTERN CONTROLLERS.	DINING / KITCHEN	VARIES	24"x24"	LAY-IN	1,7
B	VARTITHERM PLAQUE DIFFUSER	OFFICE	10"Ø	24"x24"	LAY-IN	1,7,8
C	PRICE MODEL SMCD STEEL SUPPLY AIR DIFFUSER FIELD ADJUSTABLE AIR PATTERN CONTROLLERS.	ENTRY	14"x14"	16"x16"	BEVELLED	1,3,5,6
E	PRICE MODEL 22FL DOUBLE DEFLECTION ALUMINUM SIDEWALL SUPPLY GRILLE. FRONT BLADE PARALLEL TO LONG SIDE	PLAY AREA	18"x10"	20"x14"	SURFACE	1
F	PRICE MODEL 80 EGGCRATE RETURN AIR GRILLE WITH REMOVABLE WHITE CORE, FACTORY FLAT BLACK BACKPAN AND ROUND NECK	DINING / KITCHEN / MFA	24"x24"	24"x24"	LAY-IN	1,7
J	PRICE MODEL SMCD STEEL SUPPLY AIR DIFFUSER FIELD ADJUSTABLE AIR PATTERN CONTROLLERS.	RESTROOMS	10"x10"	15"x15"	BEVELLED	1,2,3,5,6
K	PRICE MODEL APDDR ALUMINUM PERFORATED FACE RETURN AIR GRILLE.	RESTROOMS / ENTRY	14"x14"	16"x16"	SURFACE	1,4,5,6
L	PRICE MODEL 21 ALUMINUM SIDEWALL RETURN GRILLE. FRONT BLADE PARALLEL TO LONG SIDE	PLAY AREA	12"x12"	14"x14"	SURFACE	1

**NOTES**

- NATIONAL ACCOUNT - NO SUBSTITUTIONS PERMITTED - SEE DRAWING G-004

**REMARKS**

- STANDARD OFF WHITE FINISH.
- PROVIDE MODEL VCS3 NECK DAMPER.
- SEE DRAWING M-101 FOR THROW.
- PROVIDE MODEL VCR7 NECK DAMPER ON GRILLES IN RESTROOMS SERVING EXHAUST FAN.
- PROVIDE BACKPAN, MC TO SEAL JOINTS WITH MASTIC AND INSULATE EXTERNALLY.
- FIELD INSULATE BACKPAN AS SHOWN ON DETAIL 3/M-501.
- FACTORY INSULATED R-6 BACKPAN.
- PROVIDE RELIEF COLLAR ACCESSORY FOR VAV DIFFUSER.

### DUCTLESS SPLIT SYSTEM

UNIT MARK	SERVICE	LOCATION	SEER	EER	INDOOR UNIT				ELECTRICAL SERVICE				MANUFACTURER MODEL NUMBER (AS STANDARD)	UNIT NUMBER	LOCATION	OUTDOOR UNIT				REMARKS				
					TOTAL MBH	SENSIBLE MBH	INDOOR TEMP DB(F)	OUTDOOR TEMP DB(F)	CFM 3-SPEED	MCA	MCCP	VOLTS				PH	HZ	MCA	MCCP		VOLTS	PH	HZ	
AC#5	DRIVE-THRU	DRIVE-THRU	16.2	12.0	33.5	23.8	75	64	95	635-730-830	1.0	--	208	1	60	CU-5	ROOFTOP	28.0	40	208	1	60	MITSUBISHI / PUZ-HA36NKA	1,2,3,4,5,6,7,8,12,13
AC#6	OFFICE/BOH	MULTI-PURPOSE	19.1	12.0	36.0	27.0	75	64	95	607-984-1161	3.3	--	208	1	60	CU-6	ROOFTOP	25.0	31	208	1	60	MITSUBISHI / PEAD-A36A8	1,3,4,5,6,7,8,9,10,11,12,13

**NOTES:**

- INDOOR UNIT SHALL BE STANDARD COLOR: WHITE
- PROVIDE WITH INDOOR MOUNTING BRACKET, COORDINATE WITH ARCHITECT FOR SUPPORT BLOCKING IN WALL
- PROVIDE WITH CLEANABLE FILTERS. FOR AC#6 - PROVIDE FILTER BOX WITH BOTTOM FILTER ACCESS.
- INDOOR UNIT IS POWERED FROM OUTDOOR UNIT
- PROVIDE WALL-MOUNTED THERMOSTAT MODEL PAR-CT01MAJ-SB ON WALL, MC TO PROGRAM THERMOSTAT TO MATCH ADJACENT AIR SYSTEM SETPOINTS.
- PROVIDE DRAIN PAN OVERFLOW SENSOR.
- PROVIDE 208/230V MAXIBLUE CONDENSATE PUMP WIRED TO SHUT DOWN UNIT IN CASE OF DETECTION OF INCREASED WATER LEVEL IN DRAIN PAN W/RESERVOIR AND SENSOR, IF GRAVITY FLOW TO DRAIN IS NOT FEASIBLE.
- PROVIDE PAC-SE55RA-E CONNECTOR AT INDOOR UNIT CONNECTOR CN32, WIRE ORANGE AND RED WIRES TO SPARE POLE ON R-1 RELAY IN SUNCOAST 1-500 PANEL (TERMINALS 11 & 17, RESPECTIVELY) AND CAP THE BROWN WIRE.
- SUSPEND UNIT FROM STRUCTURE WITH VIBRATION ISOLATORS.
- PROVIDE FLEXIBLE CONNECTORS AT SUPPLY AND DISCHARGE DUCTWORK.
- PROVIDE 4-INCH WALL VENT FOR OUTSIDE AIR INTAKE WITH INSECT SCREEN, INSTALL AT MINIMUM 10'-6" AFF. BALANCE OA AT 50 CFM.
- PROVIDE HIGH-WIND TIE-DOWN ANCHOR IN ACCORDANCE WITH MANUFACTURER RECOMMENDATIONS. REFER TO STRUCTURAL DETAILS.
- 2023 SEER2 RATING: AC#5 - SEER2 = 18.7; AC#6 - SEER2 = 16.5.

CHICK-FIL-A  
THE FOUNTAINS OF  
MIRAMAR  
3211 SW 160th AVENUE  
MIRAMAR, FLORIDA 33027

**FSU # 01722**  
BUILDING TYPE / SIZE: S03  
RELEASE: 22.12

**REVISION SCHEDULE**

NO.	DATE	DESCRIPTION
1	03/25/21	OWNER REVISIONS
2	08/09/21	PERMIT COMMENTS
3	08/14/23	PERMIT REV 3
4	10/27/23	PERMIT REVISION 4
6	11/25/24	PERMIT REVISION 6
7	04-08-25	BID ADD 1

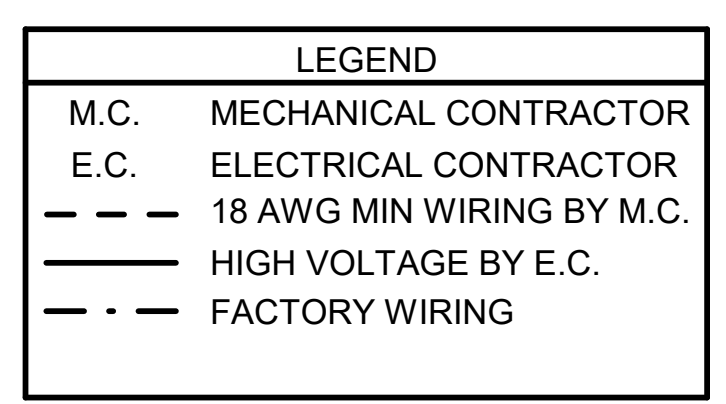
CONSTRUCTION

CONSULTANT PROJECT # C29136  
PRINTED FOR CONSTRUCTION  
DATE 01-22-21  
DRAWN BY JRH

Information contained on this drawing and in all digital files produced for above named project may not be reproduced in any form without the written permission of the originator.

SHEET HVAC SCHEDULES

M-402

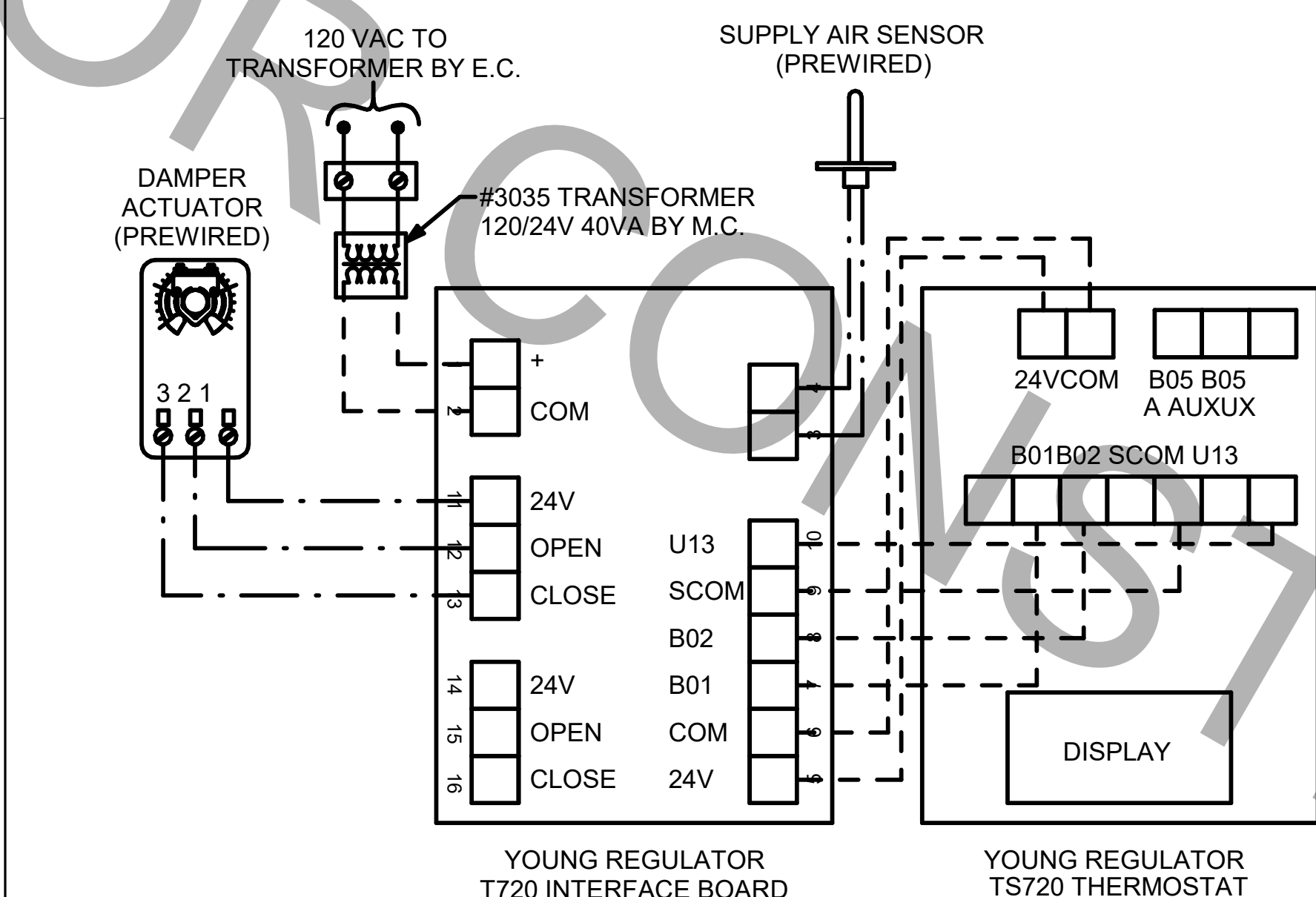


**NOTES**

- SEE DWG MS201 FOR COMPONENT MODEL NUMBERS AND ORDERING INFORMATION.
- 120V POWER FOR TRANSFORMER TO BE NON-SWITCHED AND LIVE 24 HOURS EACH DAY.
- PROVIDE ALL NECESSARY WIRING AND COMPONENTS TO MAKE CONTROL AND POWER CONNECTIONS TO TRANSFORMER, ZONE DAMPER, AND THERMOSTAT PER MANUFACTURER'S IOM.
- PROVIDE MYLAR LABEL AT ALL NEW THERMOSTATS WITH 1/4" HIGH WHITE LETTERING ON BLACK BACKGROUND, I.E. "OFFICE THERMOSTAT". PLACE LABELS ON WALL ADJACENT TO DEVICE. DO NOT APPLY DIRECTLY ON DEVICE.

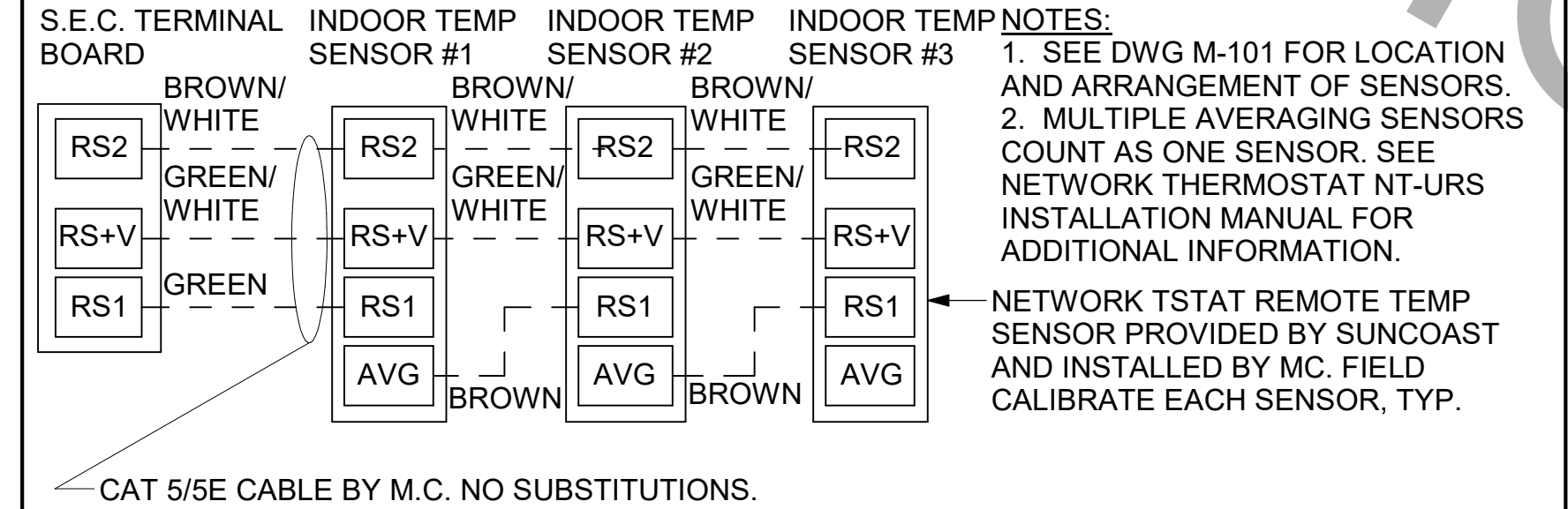
**SEQUENCE OF OPERATION**

- WHEN THE SUPPLY AIR TEMPERATURE IS LESS THAN 72F THE DAMPER WILL MODULATE ON A RISE IN SPACE TEMPERATURE ABOVE THE SETPOINT.
- WHEN THE SUPPLY AIR TEMPERATURE IS GREATER THAN 71F THE DAMPER WILL MODULATE ON A FALL IN SPACE TEMPERATURE BELOW THE SETPOINT.
- WHEN SPACE TEMPERATURE FALLS BELOW 68F (ADJ), THE THERMOSTAT SHALL SEND AN ENABLE SIGNAL TO THE EDH. THE EDH SHALL THEN MODULATE CAPACITY TO MAINTAIN AN 80F (ADJ) DISCHARGE AIR SETPOINT.



**4 DAMPER AND TSTAT - OFFICE & TEAM MEMBER ROOM**  
NOT TO SCALE

**AVERAGING SENSORS (WHERE SHOWN ON PLANS)**



**NOTES:**

- MECHANICAL CONTRACTOR SHALL MAKE PLASTIC LAMINATE OF THIS DETAIL AND INSTALL PERMANENTLY ON INSIDE DOOR OF ROOFTOP UNIT CONTROL COMPARTMENT.
- SEE DETAILS THIS SHEET FOR SMOKE DETECTOR AND ANNUNCIATOR WIRING.
- SET ALL THERMOSTATS FOR AUTO CHANGEOVER.
- PROVIDE PLASTIC ENGRAVED LABEL AT ALL NEW SENSORS WITH 1/4" HIGH WHITE LETTERING ON BLACK BACKGROUND, I.E. "ACH#2 HUMIDITY SENSOR" OR "ACH#2 TEMP SENSOR". PLACE LABELS ON WALL ADJACENT TO DEVICE. DO NOT APPLY DIRECTLY TO DEVICE.

**KEYED NOTES:**

- LOW VOLTAGE WIRING TO RTU TO BE ROUTED TO UNIT THRU FACTORY WIREWAY.
- HUMIDITROL UNITS ONLY: WIRING TO HUMIDITY SENSOR TO BE MADE WITH SINGLE 18/2 SENSOR CABLE: BELDEN 9760 OR EQUAL. HUMIDITROL INTERFACE TO SET RELATIVE HUMIDITY. SET AT 60%.
- NETWORK TSTAT REMOTE TEMP SENSOR PROVIDED BY SUNCOAST AND INSTALLED BY MC. SENSOR IS INTENDED TO BE SURFACE MOUNTED AND DOES NOT REQUIRE A SINGLE GANG BOX OF CONDUIT. FIELD CALIBRATE EACH SENSOR.

**LEGEND**

S.E.C. SUNCOAST ENVIRONMENTAL CONTROLS (SUPPLIER OF TEMP/FAN CONTROL PANEL) LOCATED IN KITCHEN

1 KEY NOTE REFERENCE

MC MECHANICAL CONTRACTOR

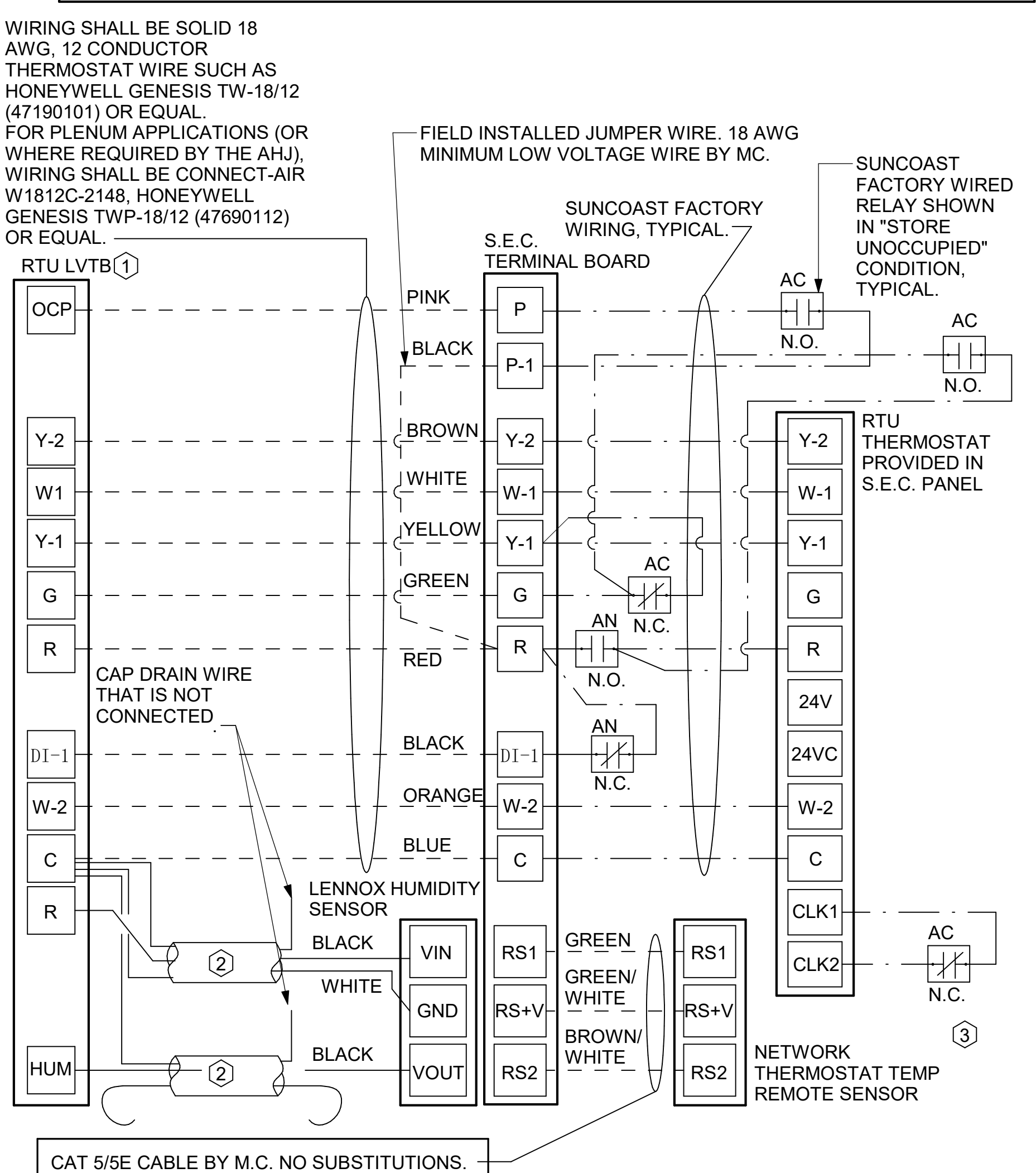
AC SUNCOAST RELAY FACTORY INSTALLED AND WIRED IN CFA-500 PANEL, ENERGIZED BY PUTTING STORE SWITCH IN "STORE OCCUPIED" POSITION.

AN SUNCOAST RELAY FACTORY INSTALLED AND WIRED IN CFA-500 PANEL, DENERGIZED WHEN FIRE SUPPRESSION SYSTEM IS ACTIVATED, AS NOTED.

--- ALL LOW VOLTAGE CABLING BY MC. ONLY USE CABLE SPECIFIED. NO SUBSTITUTIONS.

--- LOW VOLTAGE WIRING BY S.E.C.

--- LINE VOLTAGE BY ELECTRICIAN OR S.E.C.



**2 ROOFTOP UNIT CONTROL WIRING - LENNOX**  
NOT TO SCALE

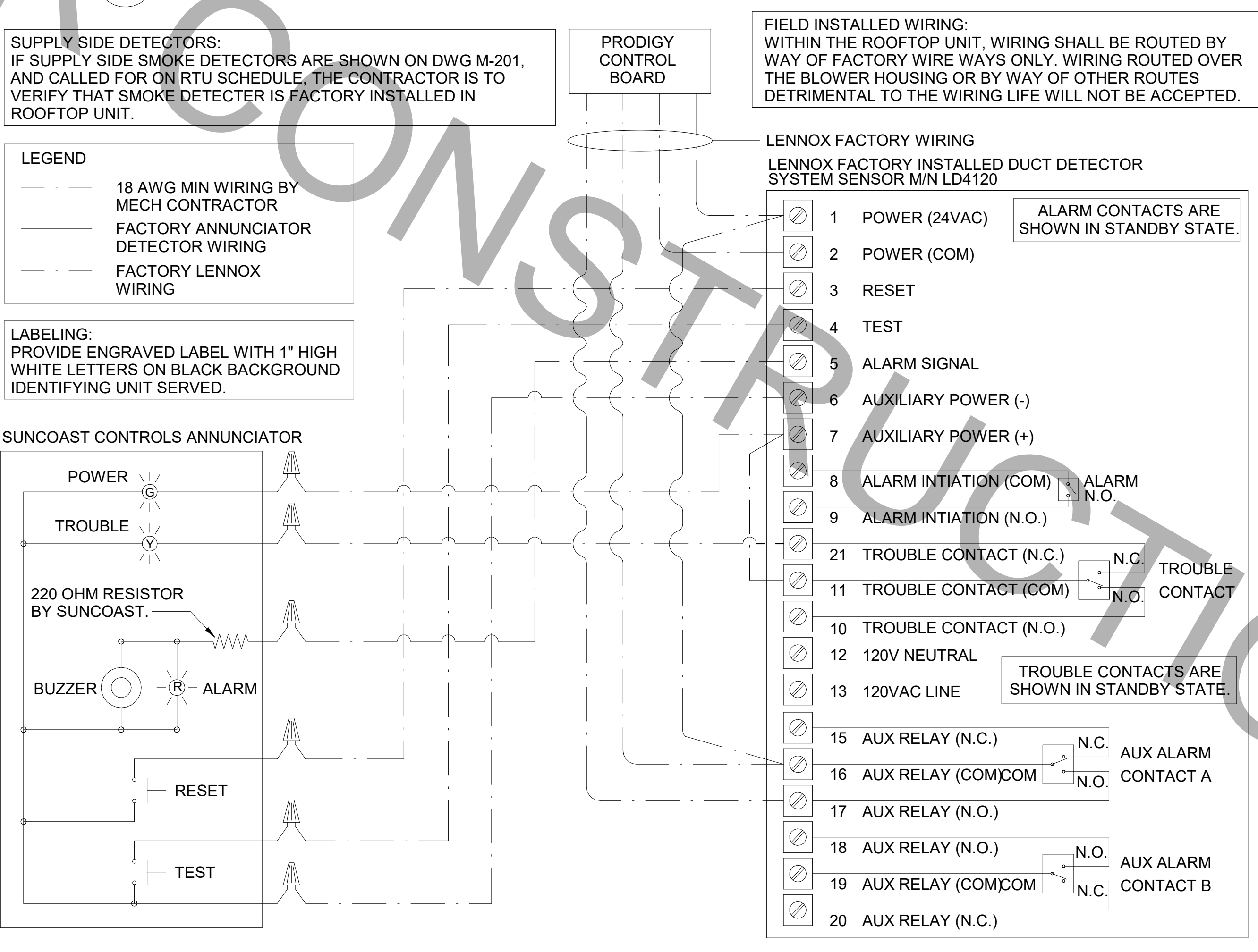
**LENNOX PRODIGY 2.0 OR CORE UNIT CONTROLLER SETTINGS:**

- FOR ALL RTU'S ELIMINATE THE MORNING WARMUP/OSA DAMPER DELAY. THE MENU PATH IS:
  - MAIN MENU > SETTINGS > RTU OPTIONS > EDIT PARAMETERS
  - FOR GAS HEAT UNITS (LGT):
    - CHANGE PARAMETER #65 SETTING TO 1 FOR ELECTRIC HEAT UNITS (LCT);
    - CHANGE PARAMETER #58 TO 1
- FOR HUMIDITROL UNITS THE MENU PATH IS:
  - MAIN MENU > SETTINGS > RTU OPTIONS > DEHUMIDIFIER MODE > NO CONDITIONS
  - SELECT LOCAL SENSOR AND SAVE
  - SET POINT: 60%
  - DEHUMID DEADBAND: 2%
- FOR ALL UNITS, SET BLOWER TO OPERATE AT ONE AIRFLOW FOR ALL MODES. MENU PATH IS:
  - MAIN MENU > INSTALL > TEST AND BALANCE > BLOWER
  - SET ALL HEATING AND COOLING CFM VALUES TO THE SAME VALUE AS SCHEDULED.
  - ADJUST AIRFLOW BY MEANS OF ADJUSTABLE BLOWER MOTOR SHEAVE.

**LENNOX FRESH AIR HEATING SETUP WHEN SPECIFIED:**

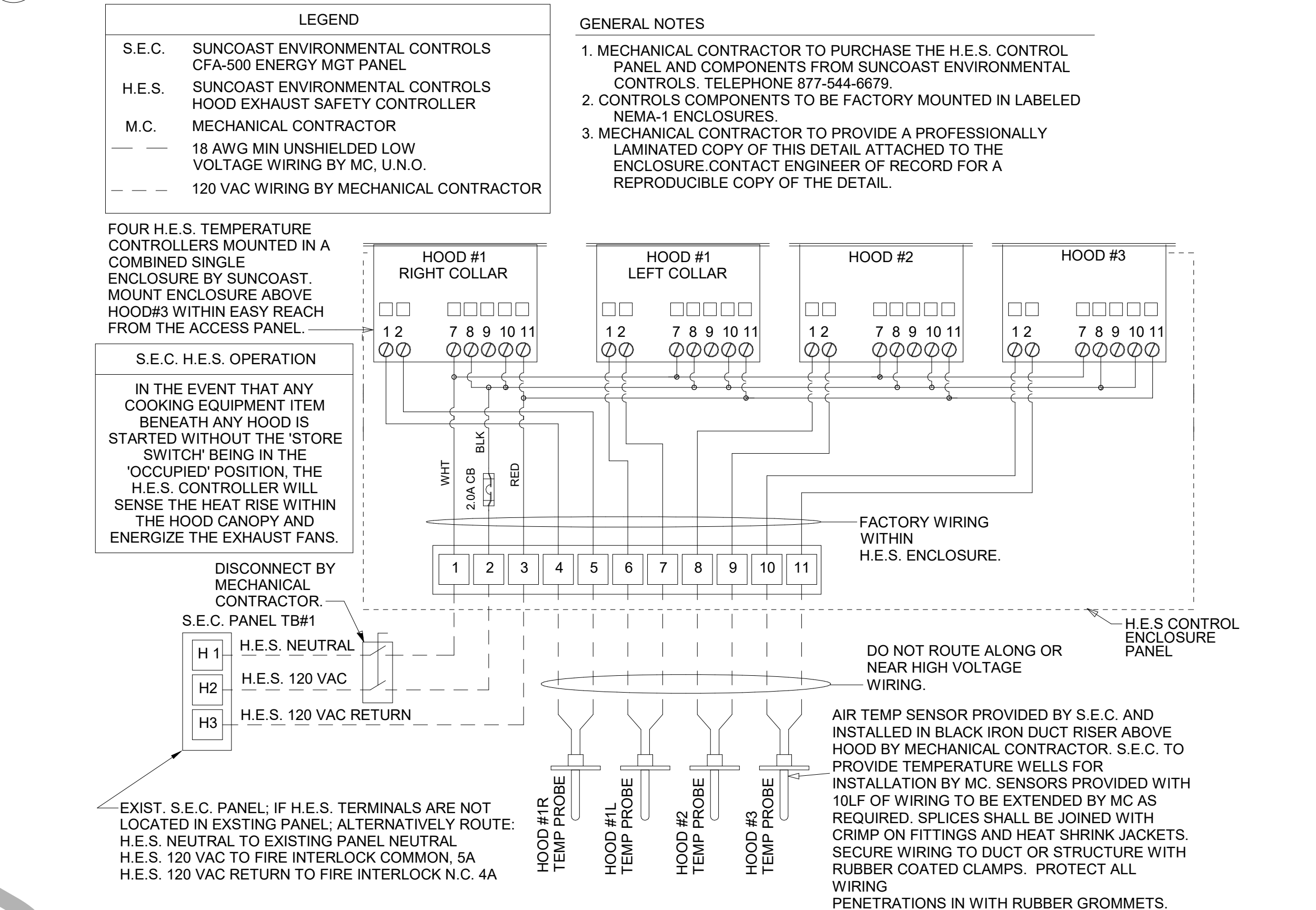
- INSTALL FRESH AIR TEMPERING KIT WIRING HARNESS AS RECOMMENDED BY LENNOX.
- LOCATE SUPPLY AIR TEMPERATURE SENSOR IN SUPPLY DUCT DOWNSTREAM OF FIRST ELBOW. SECURE WIRING TO DUCT OR STRUCTURE WITH RUBBER COATED CLAMPS. DO NOT RUN WIRING INSIDE DUCT WORK. PROTECT ALL WIRING PENETRATIONS WITH RUBBER GROMMETS.
- FOR PRODIGY 2.0 OR CORE UNIT CONTROLLER WITHIN MAIN MENU GO TO SET-UP TO TEST AND BALANCE TO DAMPER. FOLLOW MENU PATH SET FRESH AIR HEATING ENABLE TO "YES" SET FAH SETPOINT TO 68F THIS WILL TEMPER SUPPLY AIR BELOW 66F WITH INTERMITTENT HEATING WHEN THERMOSTAT IS NOT ACTIVELY CALLING FOR HEAT.
- CHANGE PRODIGY 2.0 OR CORE UNIT CONTROLLER PARAMETER #157. WITHIN MAIN MENU GO TO SETTINGS TO RTU OPTIONS TO EDIT PARAMETER VALUE TO 14 FOR A 14F FAH DEADBAND AND SAVE.
- CHANGE PRODIGY 2.0 OR CORE UNIT CONTROLLER PARAMETER #158. WITHIN MAIN MENU GO TO SETTINGS TO RTU OPTIONS TO EDIT PARAMETER ADJUST VALUE TO 300 SECONDS FOR 5 MINUTE CYCLE TIME AND SAVE.

**3 HOOD EXHAUST SAFETY SWITCH (H.E.S.S.) WIRING DIAGRAM**  
NOT TO SCALE



**1 SMOKE DETECTOR AND ANNUNCIATOR WIRING DIAGRAM**  
NOT TO SCALE

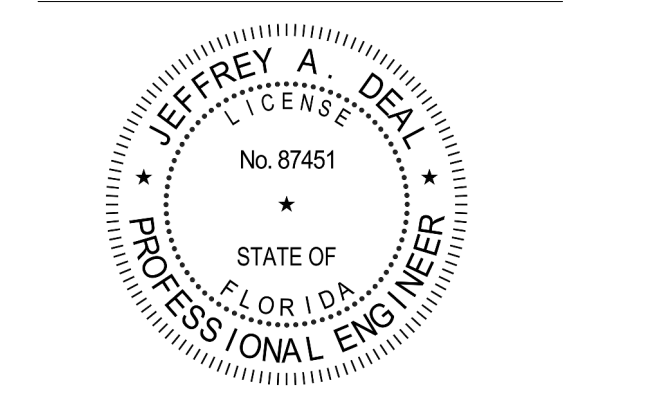
**5 AIR DOOR LOW VOLTAGE CONNECTION DIAGRAM**  
NOT TO SCALE



**Chick-Fil-A**  
5200 Buffington Road  
Atlanta, Georgia  
30349-2998



**A Full Service A & E Firm**  
Plans Prepared By:  
**CPH, Inc.**  
State of Florida Licenses:  
Engineer No. 3215  
Surveyor No. LB7143  
Architect No. AA26000926  
Landscape No. LC000298



**CHICK-FIL-A**  
**THE FOUNTAINS OF**  
**MIRAMAR**  
3211 SW 16th AVENUE  
MIRAMAR, FLORIDA 33027

**FSU # 01722**  
BUILDING TYPE / SIZE: S03  
RELEASE: 22-12

**REVISION SCHEDULE**

NO.	DATE	DESCRIPTION
3	08/14/23	PERMIT REV 3
6	11/25/24	PERMIT REVISION 6
7	04-08-25	BID ADD 1

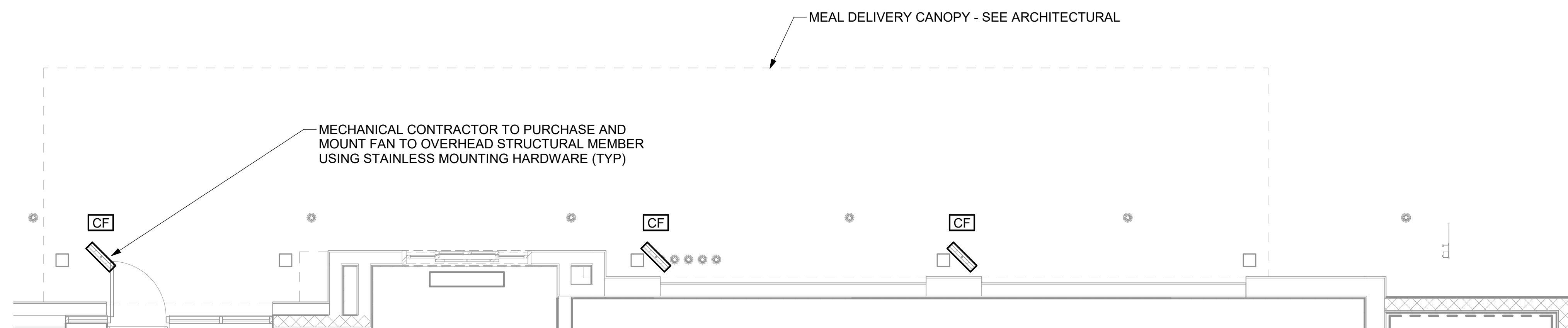
NO.	DESCRIPTION
1	POWER (24VAC)
2	POWER (COM)
3	RESET
4	TEST
5	ALARM SIGNAL
6	AUXILIARY POWER (-)
7	AUXILIARY POWER (+)
8	ALARM INITIATION (COM) ALARM N.O.
9	ALARM INITIATION (N.O.)
21	TROUBLE CONTACT (N.C.) TROUBLE CONTACT
11	TROUBLE CONTACT (COM) TROUBLE CONTACT
10	TROUBLE CONTACT (N.O.)
12	120V NEUTRAL
13	120VAC LINE
15	AUX RELAY (N.C.) AUX ALARM CONTACT A
16	AUX RELAY (COMCOM) AUX ALARM CONTACT A
17	AUX RELAY (N.O.)
18	AUX RELAY (N.O.) AUX ALARM CONTACT B
19	AUX RELAY (COMCOM) AUX ALARM CONTACT B
20	AUX RELAY (N.C.)

**CONSTRUCTION**

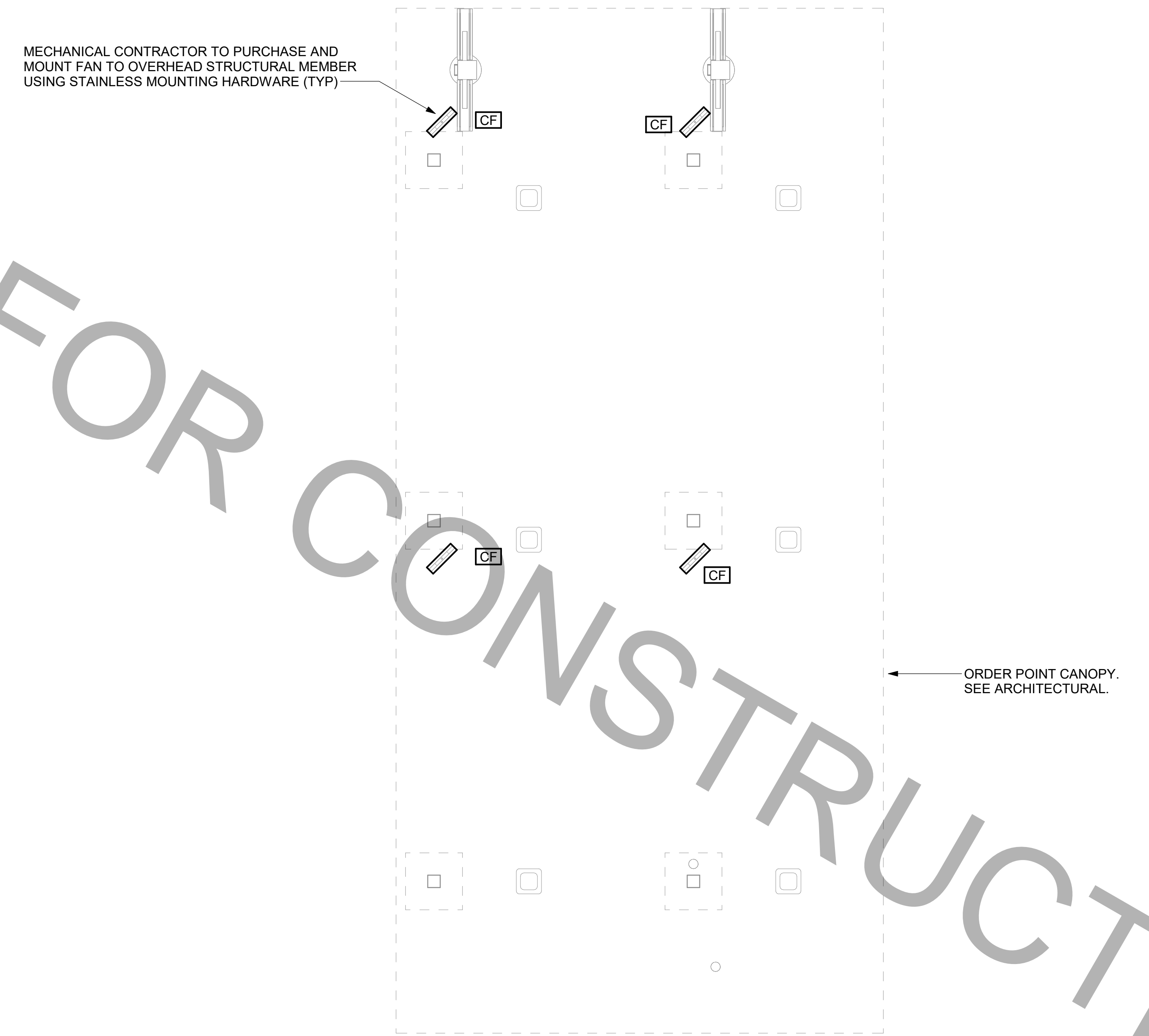
CONSULTANT PROJECT # C29136  
PRINTED FOR CONSTRUCTION  
DATE 01-22-21  
DRAWN BY JRH

**M-501**

FOR CONSTRUCTION FOR CONSTRUCTION FOR CONSTRUCTION



② MECHANICAL FLOOR PLAN - OUTSIDE MEAL DELIVERY CANOPY  
1/4" = 1'-0"



① MECHANICAL FLOOR PLAN - ORDER POINT CANOPY  
1/4" = 1'-0"

**CANOPY GENERAL NOTES**

- COORDINATE NEW WORK WITH EXISTING CONDUIT, STRUCTURE, AND PIPING. FIELD VERIFY EXISTING CONDITIONS PRIOR TO START OF WORK.
- COORDINATE LOCATION AND RESPONSIBILITIES FOR UNDERGROUND PIPING AND ASSOCIATED TRENCHING WITH GENERAL CONTRACTOR PRIOR TO START OF WORK.



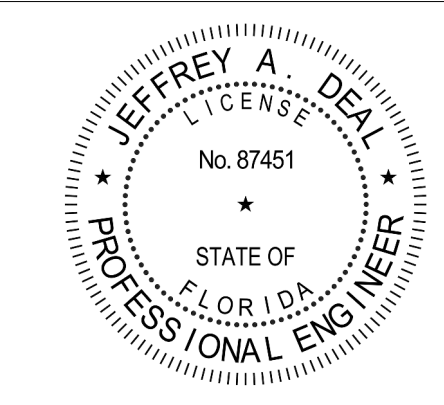
*Chick-fil-A*

**Chick-fil-A**  
5200 Buffington Road  
Atlanta, Georgia  
30349-2998



[www.cphcorp.com](http://www.cphcorp.com)  
**A Full Service  
A & E Firm**

Plans Prepared By:  
**CPH, Inc.**  
State of Florida Licenses:  
Engineer No. 3215  
Surveyor No. LB7143  
Architect No. AA26000926  
Landscape No. LC000298



**CHICK-FIL-A**  
**THE FOUNTAINS OF**  
**MIRAMAR**  
3211 SW 160th AVENUE  
MIRAMAR, FLORIDA 33027

**FSU # 01722**  
BUILDING TYPE / SIZE: S03  
RELEASE: 22-12

REVISION SCHEDULE		
NO.	DATE	DESCRIPTION
3	08/14/23	PERMIT REV 3

CONSULTANT PROJECT #	C29136
PRINTED FOR	CONSTRUCTION
DATE	01-22-21
DRAWN BY	JRH

Information contained on this drawing and in all digital files produced for above named project may not be reproduced in any manner without express written or verbal consent from authorized project representatives.

SHEET  
**CANOPY MECHANICAL PLANS**

SHEET NUMBER  
**M-601**

1. SECTION C15000 - MECHANICAL SPECIFICATIONS

PART I - GENERAL

1.01 SCOPE

- A. IT IS THE RESPONSIBILITY OF CONTRACTOR TO READ ALL SPECIFICATIONS AND CONSULT ALL DRAWINGS WHICH MAY AFFECT THE INSTALLATION AND COORDINATION OF HIS WORK WITH OTHER TRADES. CONTRACTOR SHALL COORDINATE AND MAKE MINOR ADJUSTMENTS IN LOCATION OF EQUIPMENT AND MATERIALS AS NECESSARY TO SECURE COORDINATION.
- B. COMPLETED INSTALLATION SHALL CONFORM TO ALL APPLICABLE FEDERAL, STATE AND LOCAL CODES AND ORDINANCES, INCLUDING BUT NOT LIMITED TO THE LATEST APPROVED EDITIONS OF NFPA-96, NFPA-90A, NFPA-54, SMACNA, ASHRAE 90.1 AND ASHRAE 62.
- C. SYSTEM LAYOUT IS SCHEMATIC AND EXACT LOCATIONS SHALL BE DETERMINED BY STRUCTURAL CONDITIONS, COORDINATION WITH OTHER TRADES, COORDINATION WITH FINISHES AND OTHER CONDITIONS. STRUCTURAL SUPPORTS SHALL NOT BE CUT OR ALTERED TO ASSURE FIT OF HVAC SYSTEM. TEN FOOT CLEARANCE SHALL BE MAINTAINED BETWEEN OUTSIDE AIR INTAKES AND EXHAUST FANS AND PLUMBING VENT TERMINALS.
- D. CONTRACTOR SHALL BE RESPONSIBLE FOR ALL DEFECTS, REPAIRS AND REPLACEMENTS IN MATERIALS AND WORKMANSHIP FOR A PERIOD OF ONE (1) YEAR AFTER FINAL PAYMENT IS APPROVED. CONTRACTOR SHALL HONOR FACTORY WARRANTIES ON ALL EQUIPMENT PROVIDED AS PART OF THIS SYSTEM.
- E. UPON COMPLETION OF PROJECT, ALL SYSTEM EQUIPMENT AND MATERIALS SHALL BE IN NEW, CLEAN CONDITION WITH ALL DAMAGE RESTORED TO CONDITION ACCEPTABLE TO THE OWNER'S REPRESENTATIVE. ALL EQUIPMENT, COMPONENTS, DUCTWORK AND AIR DEVICES SHALL BE INSPECTED, THOROUGHLY CLEANED, CLEARED OF DEBRIS, AND READY FOR USE. AT COMPLETION OF JOB, ALL MISCELLANEOUS TOOLS, SCAFFOLDING, SURPLUS MATERIALS, RUBBISH AND DEBRIS SHALL BE REMOVED BY CONTRACTOR.
- F. CONTRACTOR SHALL PROVIDE TWO SETS OF 2" MERV 8 OR HIGHER THROW AWAY TYPE FILTERS. A CLEAN SET SHALL BE PROVIDED PRIOR TO TEST AND BALANCE AND AGAIN PRIOR TO OPENING.

PART II - PRODUCTS

2.01 HEATING AND COOLING EQUIPMENT (C15730)

- A. FURNISH AND INSTALL R-410A ROOFTOP SINGLE PACKAGE COMBINATION ELECTRIC COOLING AND ELECTRIC HEATING UNITS BY LENNOX AS SHOWN ON DRAWINGS. EQUIPMENT SHALL BE ARI CERTIFIED AND U.L. LISTED.
- B. ACCESSORIES SHALL INCLUDE LOW AND HIGH PRESSURE SAFETIES, CRANK CASE HEATER, OVERCURRENT AND OVERTEMPERATURE SAFETY, COMPRESSOR VIBRATION ISOLATORS, FILTER DRIERS, REFRIGERANT SERVICE VALVES, COIL HAIL GUARDS WHERE SCHEDULED, CONVENIENCE OUTLETS FACTORY INSTALLED ON SCHEDULED UNITS, UNIT MOUNTED NON-FUSED DISCONNECTS, LOW AMBIENT OPERATION DOWN TO 30 DEGREES F AND EVAPORATOR FREEZE STAT.
- C. COMPRESSORS SHALL BE FULLY HERMETIC SCROLL TYPE WITH INTERNAL VIBRATION ISOLATORS. COMPRESSORS SHALL BE PROVIDED WITH A MINIMUM FIVE (5) YEAR FULL WARRANTY.
- D. ELECTRIC HEATER ELEMENTS SHALL BE CONSTRUCTED OF HEAVY-DUTY NICKEL CHROMIUM WIRE ELEMENTS. STAGING SHALL BE ACHIEVED THROUGH SYSTEM CONTROLS. EACH HEATER PACKAGE SHALL HAVE MULTIPLE AUTOMATIC RESET AND SINGLE OPERATION HIGH TEMPERATURE LIMIT CONTROLS OPERATING TO BREAK LINE POWER TO THE HEATER ELEMENT. ALL HEATERS SHALL BE INDIVIDUALLY FUSED FROM THE FACTORY. AND SHALL MEET ALL NEC AND CEC REQUIREMENTS. POWER ASSEMBLIES SHALL PROVIDE SINGLE-POINT CONNECTION. ELECTRIC HEAT MODULES SHALL BE UL LISTED OR CSA CERTIFIED, SLIDE OUT SERVICE CASING.
- E. CHICK-FIL-A MAINTAINS A NATIONAL ACCOUNT FOR EQUIPMENT WITH LENNOX CORPORATION. PRICING FOR THE EQUIPMENT HAS BEEN ESTABLISHED IN ADVANCE. CONTACT LENNOX NATIONAL ACCOUNTS AT 972-497-6260 (OR BY FAX AT 972-497-5112) FOR PRICING, ORDERING AND AVAILABILITY.

2.02 DUCTWORK (C15735) (SEE DWG M-301 FOR ADDITIONAL GREASE DUCT SYSTEM REQ.)

- A. ACCEPTABLE MANUFACTURERS OF INSULATION ARE MANVILLE, OWENS CORNING OR KNAUF.
- B. ALL DUCTWORK SHALL BE SHEET METAL, UNLESS NOTED OTHERWISE (U.N.O.).
- C. DUCT DIMENSIONS SHOWN ARE INSIDE CLEAR DIMENSIONS, U.N.O.
- D. CONSTRUCTION OF DUCTWORK SHALL MEET SMACNA 1" W.C. PRESSURE CLASS STANDARD AND RECOMMENDATIONS. SMACNA SHALL BE FOLLOWED WITH RESPECT TO GAGE THICKNESS, JOINTS, REINFORCING, CONSTRUCTION, INSTALLATION AND SUPPORT FOR PRESSURE CLASS STATED. ALL TRANSVERSE JOINTS IN RECTANGULAR AND ROUND DUCT INCLUDING DUCT CONNECTION TO AIR DEVICE COLLAR SHALL BE SEALED PER SMACNA SEAL CLASS C WITH U.L. DUCT MASTIC SEALANT APPROVED FOR INTENDED USE. DUCT TAPE IS NOT AN ACCEPTABLE SUBSTITUTE FOR MASTIC UNLESS EQUAL TO HARDCAST FOIL-GRIP 1402 BUTYL RUBBER ADHESIVE TAPE.
- E. DUCT SHALL BE SUPPORTED AT BASE OF DUCT DROPS. CURB DUCT RAILS ARE NOT INTENDED TO AND SHALL NOT SUPPORT THE WEIGHT OF THE DUCT.
- F. ALL DUCT INSULATION SHALL MEET MINIMUM R-VALUE REQUIRED BY ASHRAE 90.1 LATEST EDITION. ALL DUCT WRAP SHALL BE MINIMUM 2" THICK, 3/4 PCF AND 6 R-VALUE INSTALLED WITH EITHER A VAPOR BARRIER WITH MAXIMUM PERMEANCE 0.05 OR A MINIMUM 2 MIL ALUMINUM REINFORCED FOIL/KRAFT FACING.
- G. ALL DUCT DROPS FROM THE ROOFTOP UNITS SHALL BE EXTERNALLY INSULATED.
- H. SUPPLY AND RETURN AIR DUCTWORK SERVING ALL AREAS SHALL BE EXTERNALLY INSULATED.
- I. ALL AIR CONVEYANCE COMPONENTS SUCH AS, BUT NOT LIMITED TO DUCT, DUCT PLENUMS, GRILLES/DIFFUSERS, BACK PANS, AND BOOTS SHALL BE INSULATED. INSULATION TYPE IS COVERED ELSEWHERE IN THIS SPECIFICATION.
- J. RESTROOM RECTANGULAR EXHAUST AIR DUCTWORK SHALL BE LINED WITH 1" THICK, 1-1/2 PCF INSULATION. RESTROOM ROUND EXHAUST DUCT SHALL BE EXTERNALLY INSULATED PER SECTION 2.02F.
- K. TRUNK DUCTS SHALL BE ISOLATED FROM UNIT VIBRATION WITH THE USE OF NFPA AND U.L. APPROVED FLEXIBLE CONNECTORS INSTALLED AT THE TOP OF BOTH SUPPLY AND RETURN DROPS.
- L. INSULATED FLEXIBLE DUCT MAY BE UTILIZED FOR RUNOUTS TO GRILLES AND DIFFUSERS ONLY IN THE HORIZONTAL POSITION AND IN MAXIMUM LENGTHS OF 4'-0", NO EXCEPTIONS. SEE TAKE-OFF DETAIL ON DRAWING M-401.
- M. CONSTRUCTION OF FLEXIBLE DUCTWORK SHALL INCLUDE SPIRAL METAL HELIX BONDED TO A POLYESTER CORE, FIBERGLASS INSULATION WITH POLYETHYLENE OR MYLAR VAPOR BARRIER. ALL COMPONENTS SHALL HAVE APPROPRIATE U.L. APPROVAL AND SHALL BE EQUIVALENT TO THERMAFLEX MKE.
- N. FLEXIBLE DUCT SHALL BE INSTALLED PER THE "ADC FLEXIBLE DUCT PERFORMANCE AND INSTALLATION STANDARDS, 4TH ED" USING FOIL TAPE AND DRAWBAND ON THE INNER CORE AND TAPE OR DRAWBAND ON THE OUTER JACKET.
- O. DUCT TAPE SHALL BE EQUAL TO FASSON 181-B FX, 2-1/2" WIDE.
- P. SINGLE THICKNESS TURNING VANES SHALL BE INSTALLED AT 90 DEGREE TURNS IN SUPPLY DUCTWORK WHERE ANY ONE DIMENSION IS GREATER THAN 12".
- Q. RADIUSSED ELBOWS MAY BE SUBSTITUTED FOR 90 DEGREE ELBOWS AT THE DISCRETION OF THE CONTRACTOR. CENTERLINE RADIUS EQUAL TO R=W PER FIGURE NO. 4-2 IN SMACNA HVAC DUCT CONSTRUCTION STANDARDS.
- R. EXTERNAL INSULATION ON BOTTOM OF DUCTS 24" OR WIDER SHALL BE SUPPORTED WITH STICK PINS ON 18" CENTERS. STICK PIN WASHERS SHALL BE COVERED WITH DUCT TAPE OR MASTIC.

2.03 CONTROLS (C15735)

- A. SYSTEMS SHALL BE COMPLETE WITH CONNECTIONS TO CFA-500 TEMPERATURE CONTROL PANEL AS MANUFACTURED BY SUNCOAST ENVIRONMENTAL CONTROLS (S.E.C.) (PH: 877-544-6679). THE PANEL IS PROVIDED AND MOUNTED BY THE ELECTRICAL CONTRACTOR. CONTROL WIRING TERMINATIONS ARE BY THE MECHANICAL CONTRACTOR.
- B. THE SMOKE DETECTORS SHALL BE FACTORY INSTALLED AND WIRED BY THE ROOFTOP UNIT MANUFACTURER.
- C. A FACTORY INSTALLED SMOKE DETECTOR IN THE RETURN AIR AND SUPPLY AIR SECTION OF EACH AIR CONDITIONING UNIT SHALL STOP THE INDOOR FAN AND CLOSE THE OUTSIDE AIR DAMPER IN THE EVENT OF EXCESSIVE TEMPERATURE OR SMOKE. SMOKE DETECTOR SHALL BE LOCATED PRIOR TO ANY EXHAUST FROM THE BUILDING OR MIXING WITH FRESH AIR MAKE-UP. UPON DETECTION, THE SYSTEM SHALL NOT RESTART UNTIL THE DEVICE IS MANUALLY RESET. DEVICES SHALL BE LOCATED WHERE THEY CAN BE EASILY ACCESSED AND WHERE CLEAR OF FILTERS.
- D. CHICK-FIL-A HAS A NATIONAL ACCOUNT WITH SUNCOAST ENVIRONMENTAL CONTROLS FOR THE SMOKE DETECTOR TEST/RESET ANNUNCIATOR STATIONS. THE TEST/RESET STATIONS WILL BE PURCHASED BY THE ELECTRICAL CONTRACTOR AS A PART OF A NATIONAL ACCOUNT PACKAGE AND TURNED OVER TO THE MECHANICAL CONTRACTOR FOR INSTALLATION.
- E. THE REMOTE TEST/RESET ANNUNCIATORS SHALL BE PROVIDED BY THE ELECTRICAL CONTRACTOR AND INSTALLED BY THE MECHANICAL CONTRACTOR. INSTALLATION BY MECHANICAL SHALL INCLUDE MOUNTING OF THE ANNUNCIATORS AND ALL WIRING FROM EACH DEVICE TO THE RTU. ELECTRICAL WILL PROVIDE A JUNCTION BOX IN THE WALL WITH 1/2" CONDUIT STUBBED UP ABOVE THE CEILING FOR EACH REMOTE TEST STATION AS SHOWN ON THE ELECTRICAL PLANS. ANNUNCIATOR SHALL BE SUNCOAST CONTROLS REMOTE TEST/RESET STATION WITH POWER LED, TROUBLE LED, ALARM LED, 90DB HORN AND TEST/RESET BUTTON.
- F. THE RESTROOM FAN SHALL BE INTERLOCKED TO THE LIGHTS SERVING THE MEN AND WOMEN'S RESTROOMS. THE HOOD FANS SHALL BE CONTROLLED VIA THE SUNCOAST CFA-500 CONTROL PANEL. WIRING, RELAYS AND SWITCHES FOR CONTROL OF ALL FANS ARE BY ELECTRICAL CONTRACTOR.
- G. LENNOX UNITS - THERMOSTATS ARE PROVIDED AND INTEGRATED INTO THE TEMPERATURE CONTROL PANEL BY SUNCOAST ENVIRONMENTAL CONTROLS. SUNCOAST WILL PROVIDE A NETWORK THERMOSTAT US32-CFA THERMOSTAT PRE-WIRED IN THE TEMPERATURE CONTROL PANEL. A REMOTE TEMPERATURE SENSOR FOR EACH THERMOSTAT IS ALSO PROVIDED. MECHANICAL CONTRACTOR SHALL INSTALL ALL WIRING BETWEEN THE THERMOSTAT, THE REMOTE SENSOR AND THE ROOFTOP UNIT.
- H. MECHANICAL CONTRACTOR SHALL INSTALL CONTROL WIRING IN 1/2" CONDUIT WHERE REQUIRED BY CODE. WHERE NOT REQUIRED TO BE IN CONDUIT, ALL WIRING SHALL BE RUN PARALLEL TO STRUCTURAL MEMBERS OR PERPENDICULAR WITH NO DIAGONAL ROUTING. ALL WIRING SHALL BE SECURED TO THE FRAMING TO PREVENT SAGGING IN RUNS. WIRING TO ROOFTOP UNITS SHALL BE ROUTED THROUGH THE FACTORY THRU-BASE FITTING IN THE UNIT BASE. NO SPLICING OF WIRING WILL BE ACCEPTED. ALL WIRING ABOVE THE ROOF SHALL BE INSTALLED IN EXTERIOR GRADE FLEXIBLE CONDUIT. ALL CONTROL WIRING AND CONTROL WIRING CONDUIT SHALL BE FURNISHED AND INSTALLED BY THE MECHANICAL CONTRACTOR. WIRING SHALL BE INSTALLED IN ACCORDANCE WITH LATEST EDITION OF NEC. ALL LOW VOLTAGE CONTROL WIRING SHALL BE NO LESS THAN 18 AWG MIN. CONTROL WIRING CONDUCTORS SHALL BE SIZED TO ACCOUNT FOR LOAD AND LENGTH OF RUN TO ALLOW SUFFICIENT VOLTAGE AVAILABLE AT CONTROLLED DEVICE TO OPERATE THE SYSTEM RELIABLY.

PART III - EXECUTION

3.01 SCOPE

- A. FURNISH AND INSTALL SYSTEM IN ACCORDANCE WITH REFERENCED STANDARDS, APPLICABLE CODES, MANUFACTURER'S RECOMMENDATIONS AND AS INDICATED ON DRAWINGS.
  - B. CONTRACTOR SHALL INSTRUCT THE OWNER'S REPRESENTATIVE IN ALL MATTERS PERTAINING TO THE PROPER MAINTENANCE OF EQUIPMENT FURNISHED UNDER THIS CONTRACT THROUGH DEMONSTRATION AND EXPLANATION OF OPERATING & MAINTENANCE MANUALS.
  - C. CONTRACTOR SHALL PROVIDE A "SAMPLE MAINTENANCE PROPOSAL" TO THE OWNER'S REPRESENTATIVE IN ALL MATTERS PERTAINING TO THE PROPER MAINTENANCE OF EQUIPMENT FURNISHED UNDER THIS CONTRACT.
  - D. CONTRACTOR SHALL COMPLETE A/C EQUIPMENT STARTUP DOCUMENTATION PROVIDED BY OWNER AND/OR MANUFACTURER. THIS SHALL INCLUDE RE-TORQUE OF ALL FIELD AND FACTORY HIGH VOLTAGE CONNECTIONS.
- 3.02 TEST & BALANCE
- A. OWNER SHALL TEST AND BALANCE MECHANICAL SYSTEM IN ACCORDANCE WITH NEBB, NBC OR AABC STANDARDS TO ASSURE CONFORMANCE WITH DESIGN. G.C. WILL MAKE MECHANICAL CONTRACTOR AVAILABLE DURING TEST AND BALANCE TO ASSIST TESTING AGENCY AND TO MAKE CORRECTIONS IMMEDIATELY NECESSARY. CONTRACTOR SHALL CORRECT ITEMS ON WRITTEN TEST AND BALANCE REPORT.
  - B. ALL EQUIPMENT TO BE BALANCED MUST HAVE GONE THRU SUCCESSFUL START-UP PROCEDURE BY THE MECHANICAL CONTRACTOR (MC) PRIOR TO TAB VISIT.
  - C. THE FLOOR OF THE RESTAURANT SHALL BE CLEARED OF DEBRIS, STAGED CONSTRUCTION MATERIALS, EQUIPMENT, ETC. WHICH MAY, IN THE OPINION OF THE TAB TECHNICIAN, OBSTRUCT ACCESS TO AIR DISTRIBUTION COMPONENTS IN AND ABOVE THE CEILING.
  - D. EQUIPMENT ACCESS PANELS, DUCT AIR DEVICES SUCH AS BALANCING DAMPERS AND ACTUATORS SHALL BE ACCESSIBLE AND CLEAR OF PIPING, CONDUIT, FRAMING, SUPPORTS ETC...
  - E. PROVIDE AN 8 FT PORTABLE A-FRAME STYLE LADDER DEDICATED FOR THE TAB TECHNICIANS USE DURING THE ENTIRE TAB EFFORT DURATION.
  - F. THE MC SHALL BE AVAILABLE DURING THE ENTIRE DURATION OF THE TAB EFFORT AND HAVE ON-SITE THE RESOURCES AND TOOLS TO MAKE CORRECTIONS AS NEEDED UNDER THE DIRECTION OF THE TAB TECHNICIAN.

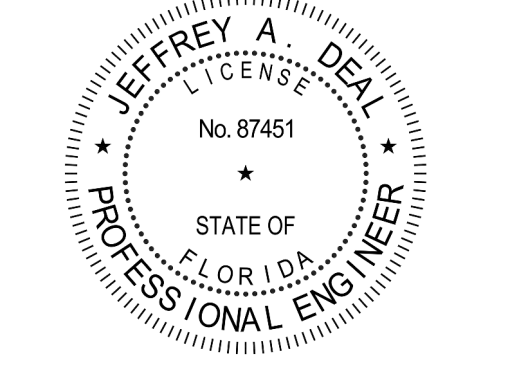
NATIONAL ACCOUNTS	
1.	LENNOX EQUIPMENT - CONTACT LENNOX NATIONAL ACCOUNTS AT 972-497-6260 (OR BY FAX AT 972-497-5112) FOR PRICING, ORDERING AND AVAILABILITY. LENNOX EQUIPMENT NOT PURCHASED THRU LENNOX NATIONAL ACCOUNTS WILL NOT BE ACCEPTED.
2.	LOREN COOK FAN AND CURB PACKAGE - THE MECHANICAL CONTRACTOR IS REQUIRED TO PURCHASE THE FAN/CURB PACKAGE DIRECTLY FROM TOM BARRROW COMPANY. CONTACT MR. SCOTT GEORGE AT 404-351-1010 FOR PRICING AND AVAILABILITY. FANS AND CURBS NOT PURCHASED THRU TOM BARRROW COMPANY WILL NOT BE ACCEPTED.
3.	PRICE AIR DEVICES - THE MECHANICAL CONTRACTOR IS REQUIRED TO PURCHASE THE AIR DEVICES DIRECTLY FROM TOM BARRROW COMPANY. CONTACT MR. SCOTT GEORGE AT 404-351-1010 FOR PRICING AND AVAILABILITY. AIR DEVICES NOT PURCHASED THRU TOM BARRROW COMPANY WILL NOT BE ACCEPTED.
4.	AIR DOORS - THE MECHANICAL CONTRACTOR IS REQUIRED TO PURCHASE THE AIR DOORS DIRECTLY FROM TOM BARRROW COMPANY. CONTACT MR. SCOTT GEORGE AT 404-351-1010 FOR PRICING AND AVAILABILITY. AIR DOORS NOT PURCHASED THRU TOM BARRROW COMPANY WILL NOT BE ACCEPTED.
5.	SUNCOAST ENVIRONMENTAL CONTROLS - THE CFA 500 PANEL AND THE TEST/RESET STATIONS WILL BE PURCHASED AND PROVIDED BY THE electrical CONTRACTOR AS A PART OF A NATIONAL ACCOUNT PACKAGE. SEE PART II PARAGRAPH 2.03 OF THE MECHANICAL SPECIFICATIONS FOR MORE INFORMATION.
6.	HALTON HOODS - CHICK-FIL-A WILL PURCHASE AND PROVIDE THE HOODS FOR INSTALLATION BY THE MECHANICAL CONTRACTOR. THE MECHANICAL CONTRACTOR SHALL BE RESPONSIBLE FOR RECEIVING THE HOODS. CONTACT HALTON CO. AT 270-237-5600 FOR MORE INFO.
7.	ROYAL METAL PRODUCTS START COLLARS - THE MECHANICAL CONTRACTOR IS REQUIRED TO PURCHASE THE START COLLARS DIRECTLY FROM TOM BARRROW COMPANY. CONTACT MR. SCOTT GEORGE AT 404-351-1010 FOR PRICING AND AVAILABILITY. START COLLARS NOT PURCHASED THRU TOM BARRROW COMPANY WILL NOT BE ACCEPTED.
8.	TPI FAN PACKAGE - THE MECHANICAL CONTRACTOR IS REQUIRED TO PURCHASE THE FAN PACKAGE DIRECTLY FROM TOM BARRROW COMPANY. CONTACT MR. SCOTT GEORGE AT 404-351-1010 FOR PRICING AND AVAILABILITY. FANS NOT PURCHASED THRU TOM BARRROW COMPANY WILL NOT BE ACCEPTED.
9.	MITSUBISHI SPLIT SYSTEM UNIT PACKAGE - THE MECHANICAL CONTRACTOR IS REQUIRED TO PURCHASE THE SPLIT SYSTEM PACKAGE DIRECTLY FROM TRANE/MITSUBISHI COMPANY. CONTACT CFA@TRANE.COM OR CALL 866-9864222. SCOTT ROWLEY/TRANE CAN ALSO BE REACHED DIRECTLY AT 630-200-7155. ONLY WHEN INVENTORY ISSUES PREVENT TIMELY PROCUREMENT OF PRIMARY MITSUBISHI OPTION, SAMSUNG ALTERNATE (AC036BNTDCH/AA / AC036BXADCH/AA) IS INTENDED FOR USE. FOR SAMSUNG, PLEASE CONTACT CHAD FISHER AT 479-621-3020. DUE TO PROCUREMENT SUPPLY ISSUES IN ASHRAE CLIMATE ZONES 0-3, MITSUBISHI (NTXWST36B112AA / NTXSST36B112AA) MAY BE USED AS A SECOND ALTERNATIVE @ TRANE CONTACT INFO ABOVE. MINI SPLIT SYSTEMS NOT PURCHASED THRU TRANE/MITSUBISHI COMPANY OR ALTERNATES WILL NOT BE ACCEPTED.



**Chick-fil-A**  
5200 Buffington Road  
Atlanta, Georgia  
30349-2998



**www.cphcorp.com**  
**A Full Service A & Firm**  
Plans Prepared By:  
**CPH, Inc.**  
State of Florida License:  
Engineer No. 3215  
Surveyor No. LB7143  
Architect No. AA26000926  
Landscape No. LC000298



**CHICK-FIL-A**  
**THE FOUNTAINS OF**  
**MIRAMAR**  
3211 SW 160th AVENUE  
MIRAMAR, FLORIDA 33027

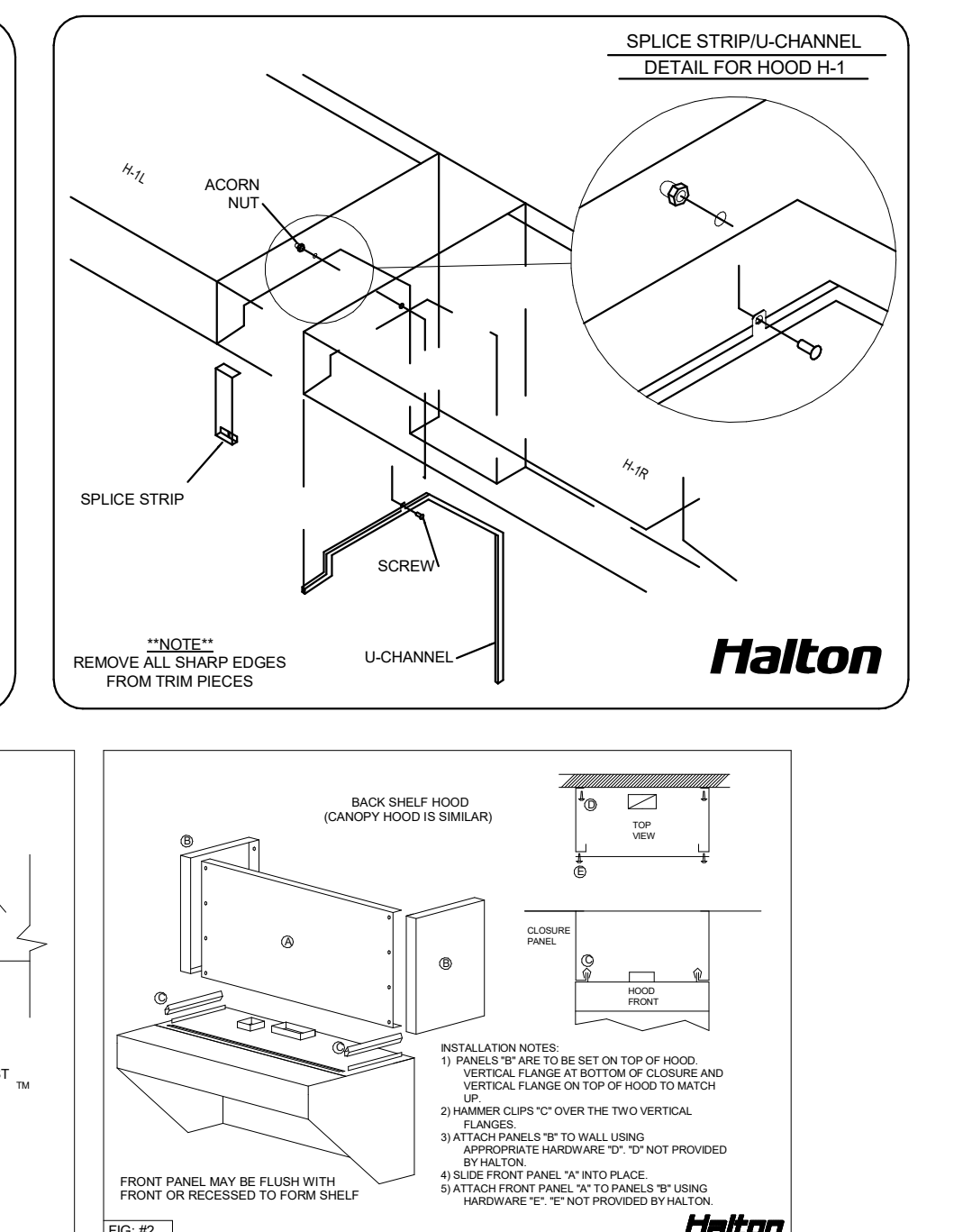
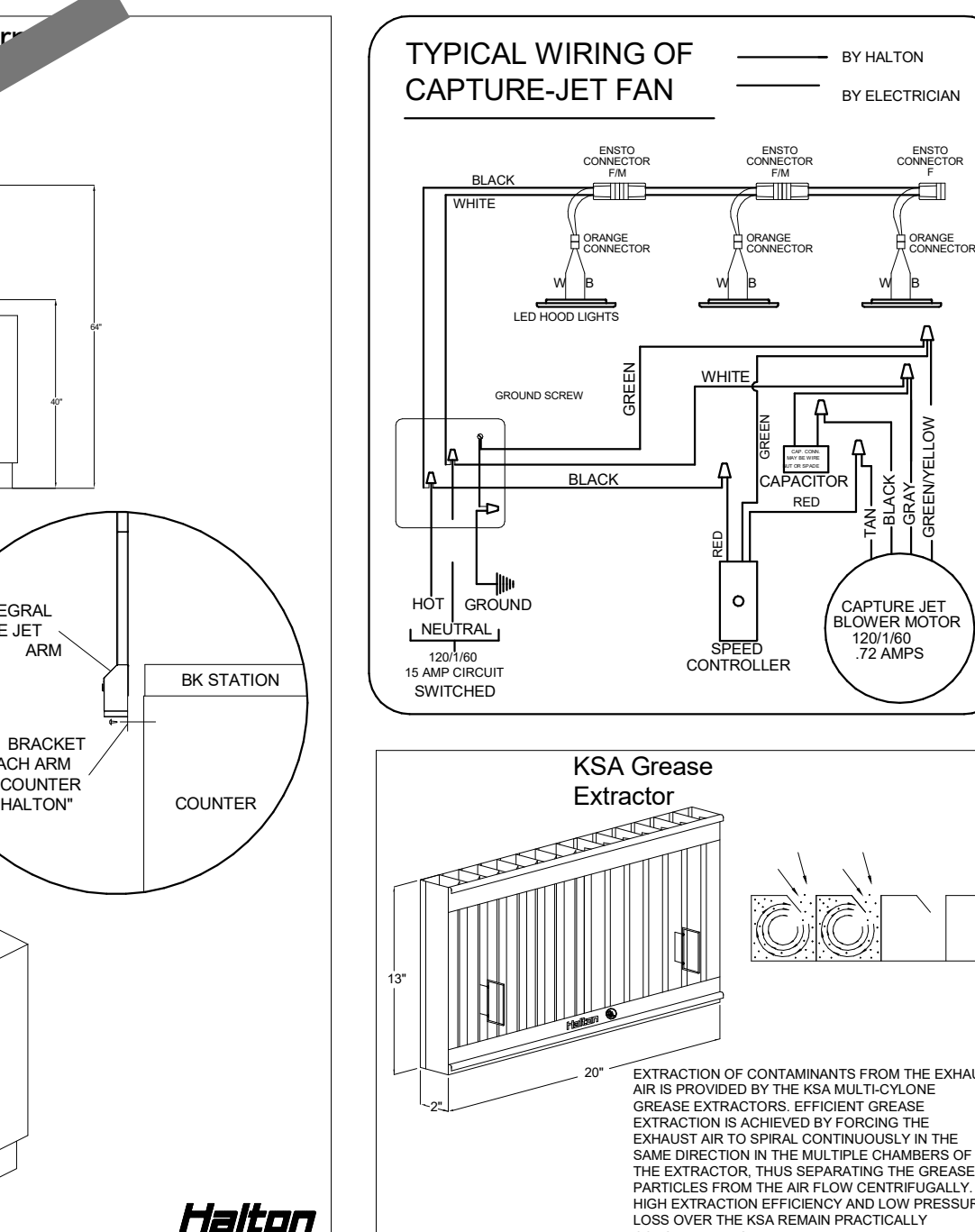
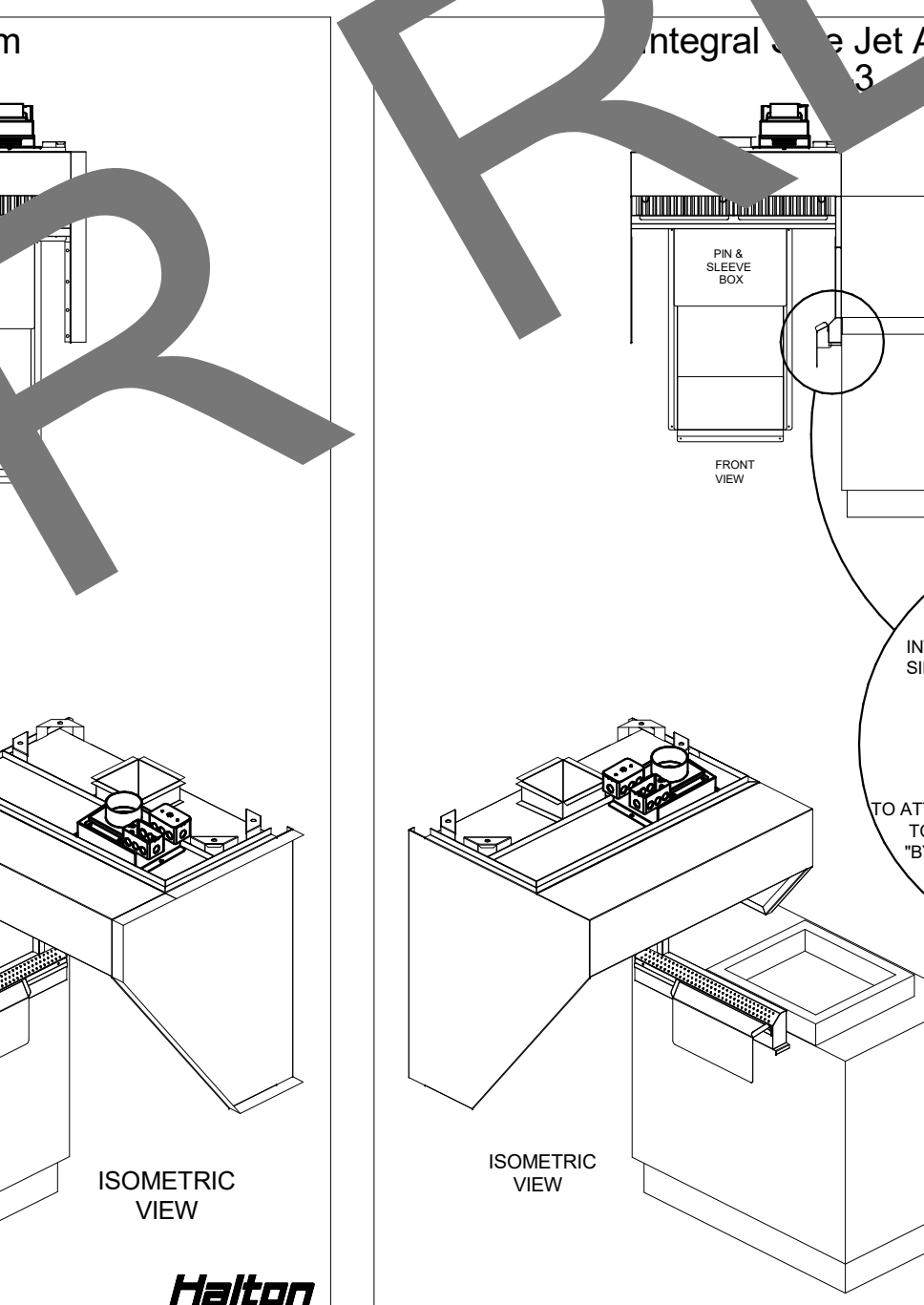
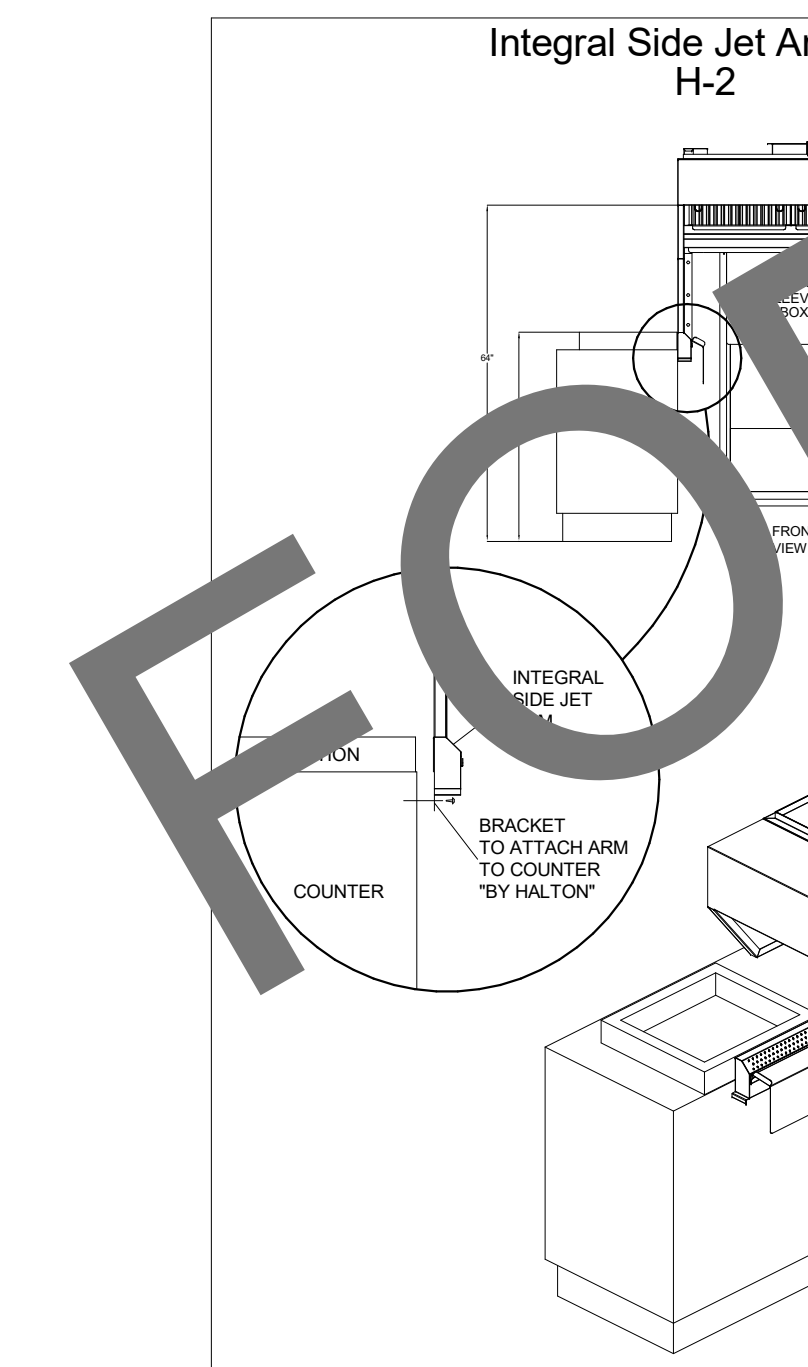
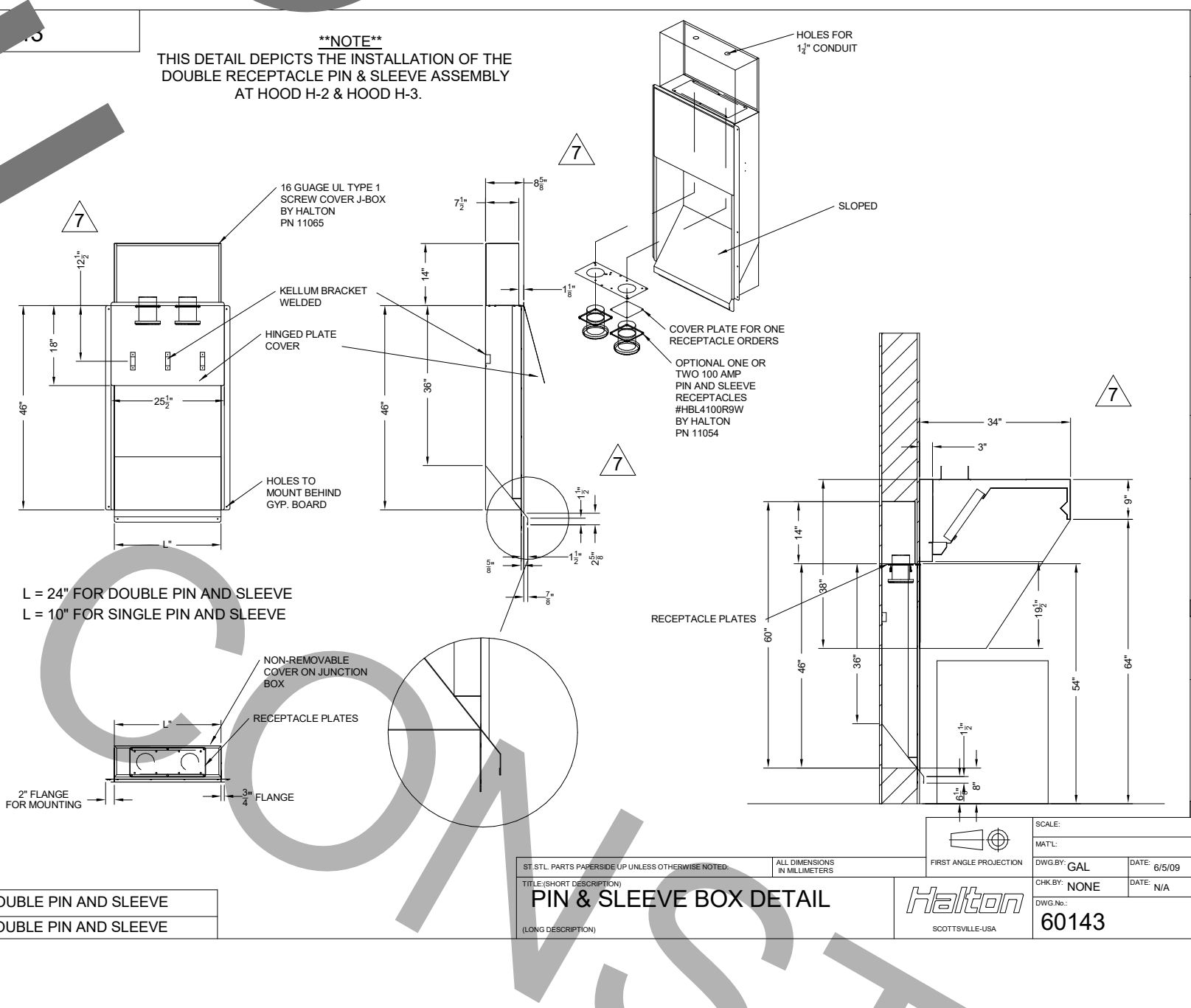
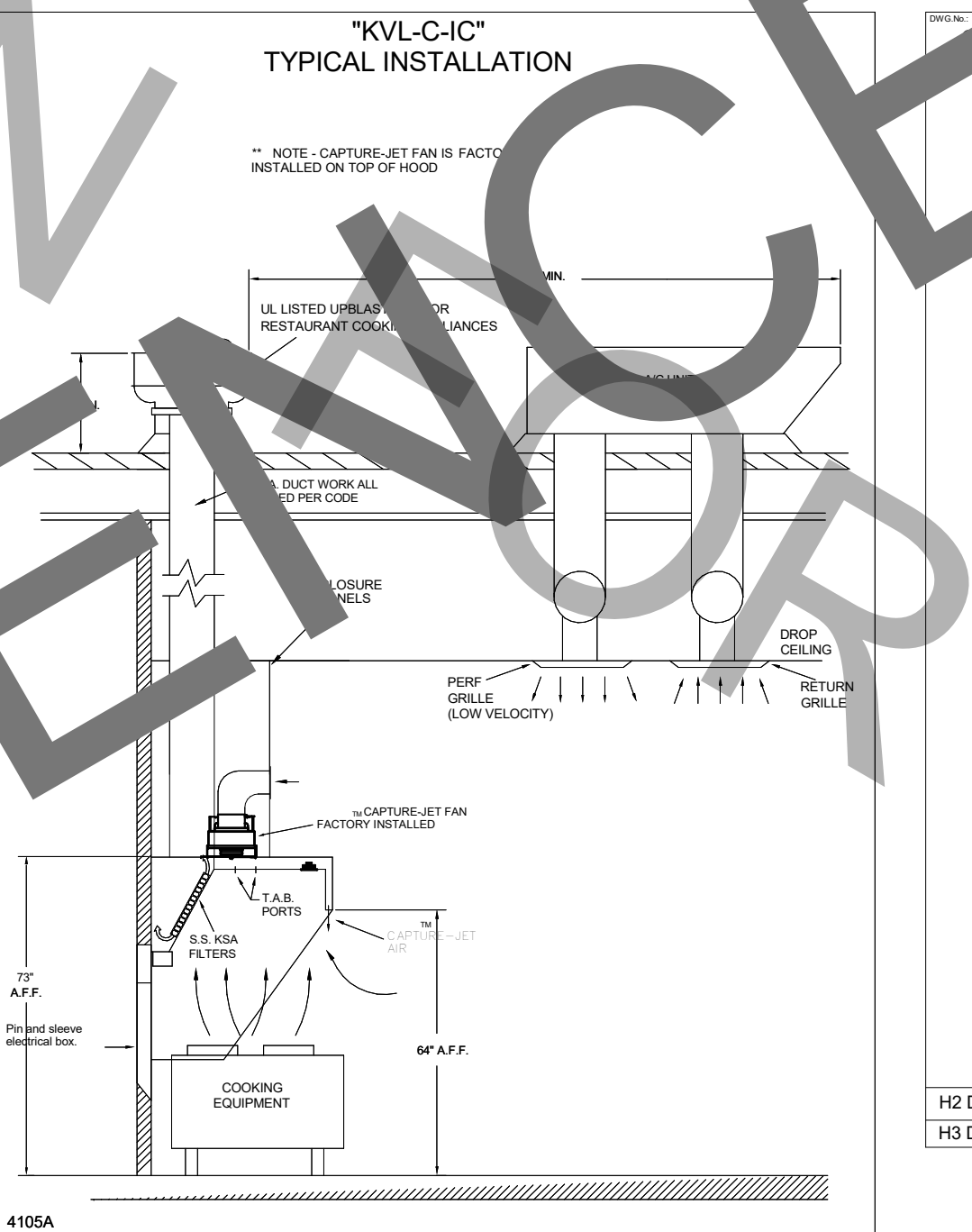
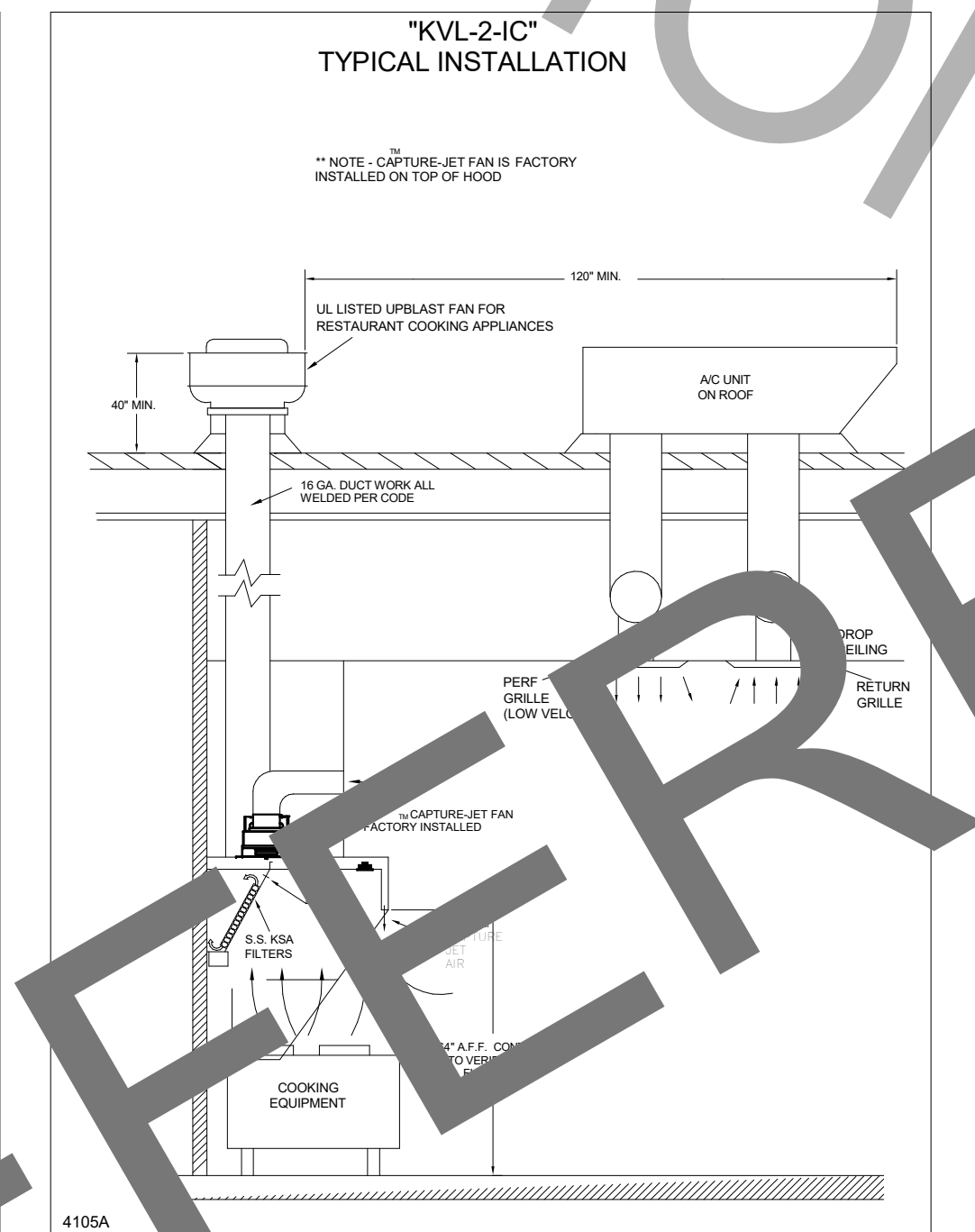
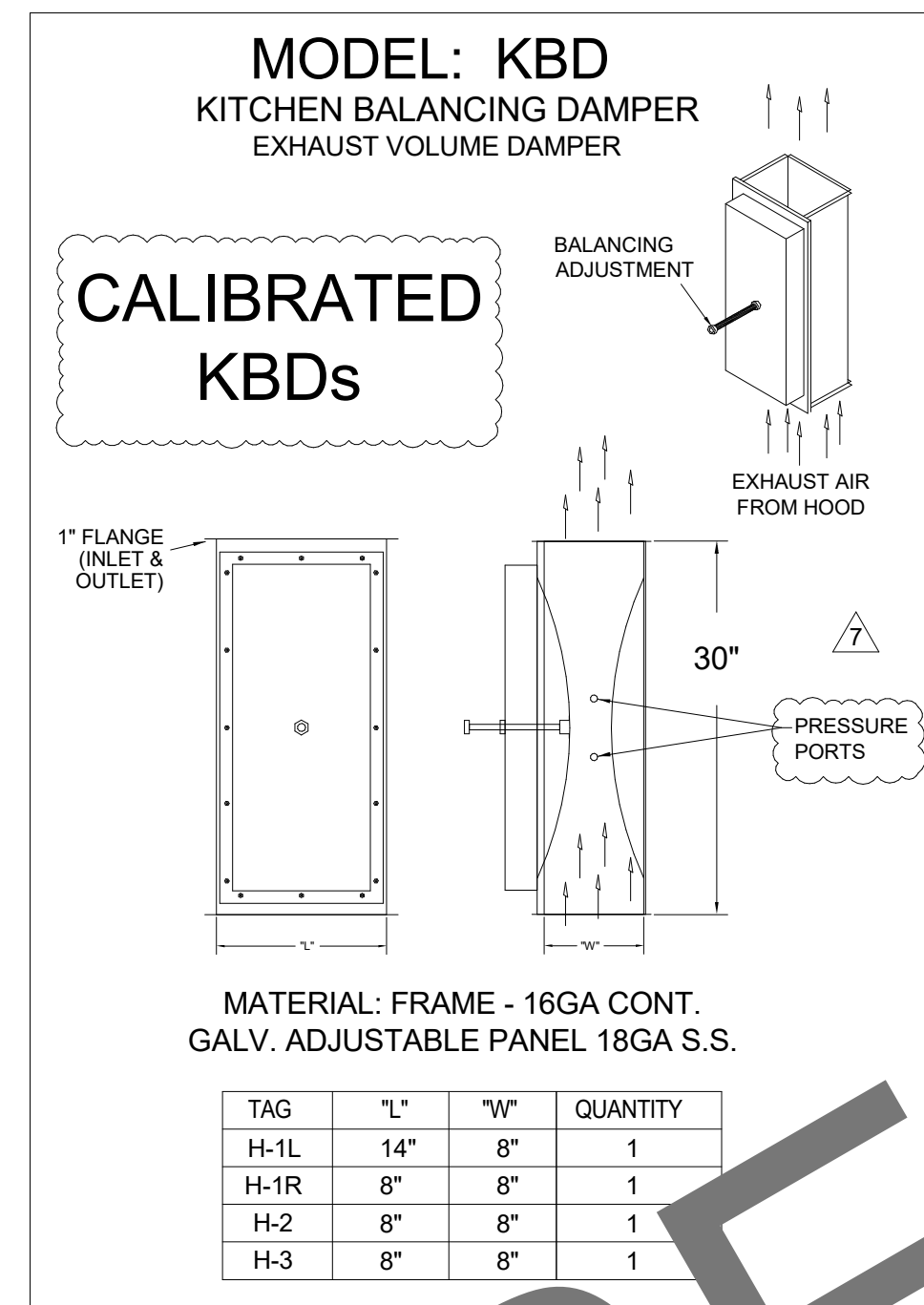
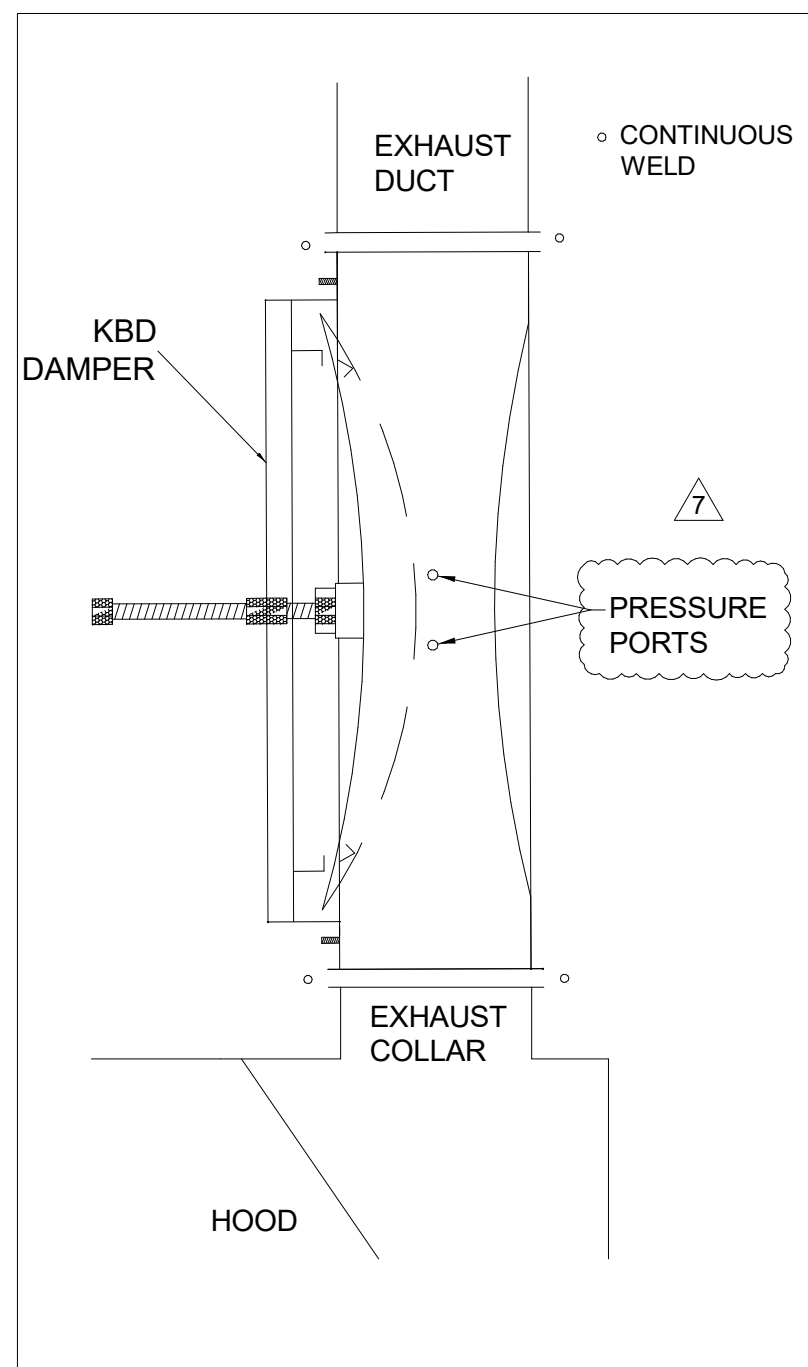
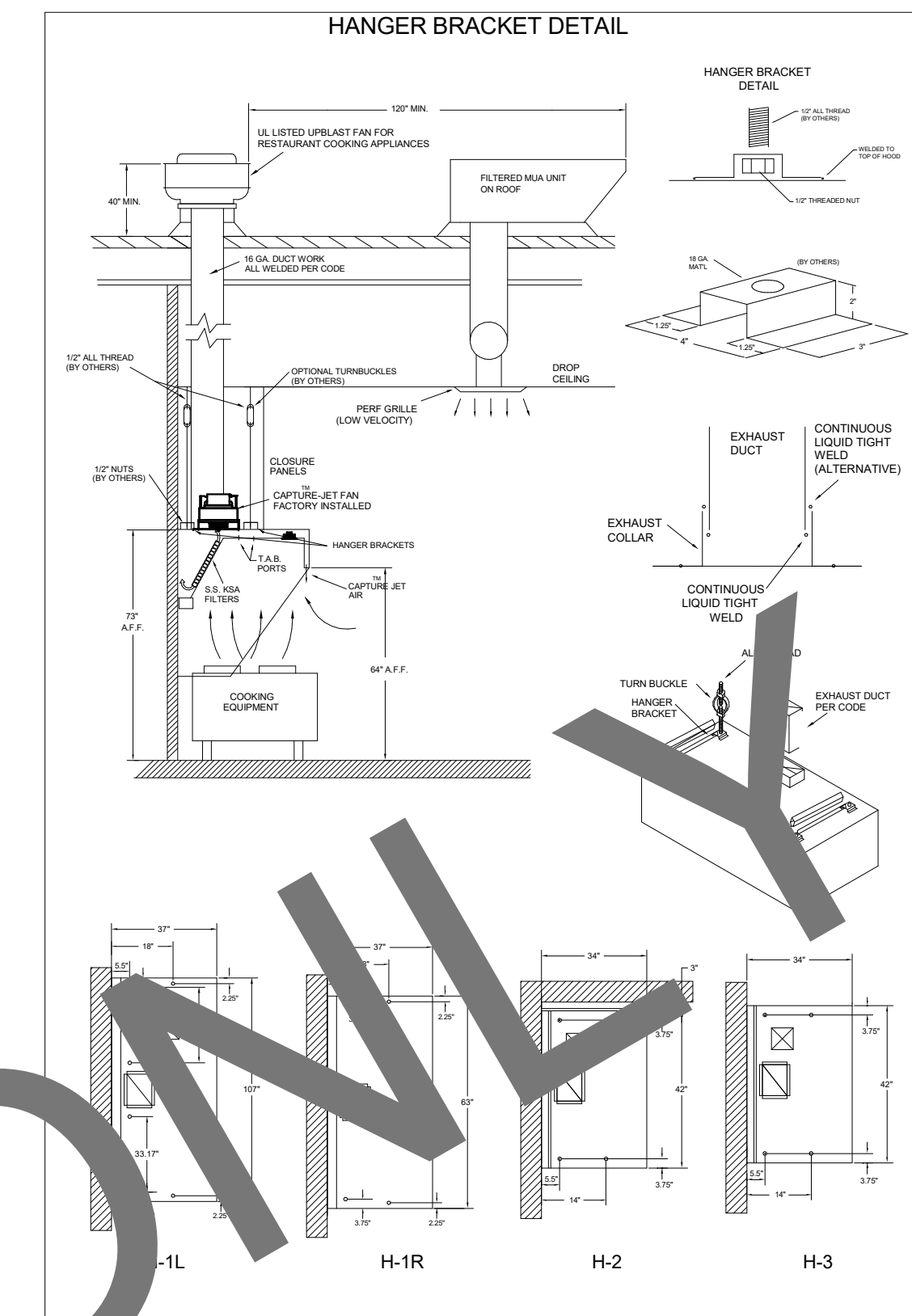
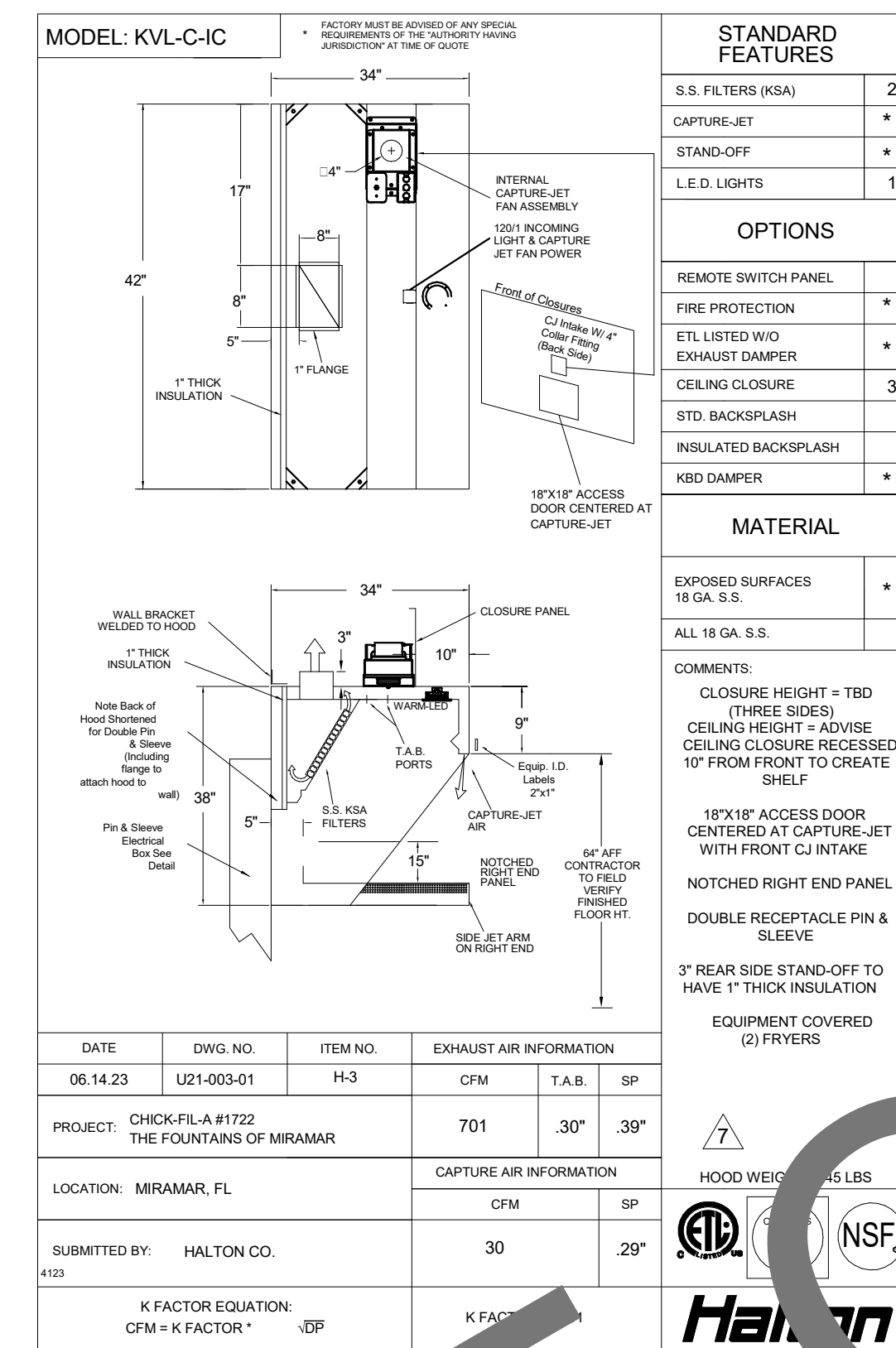
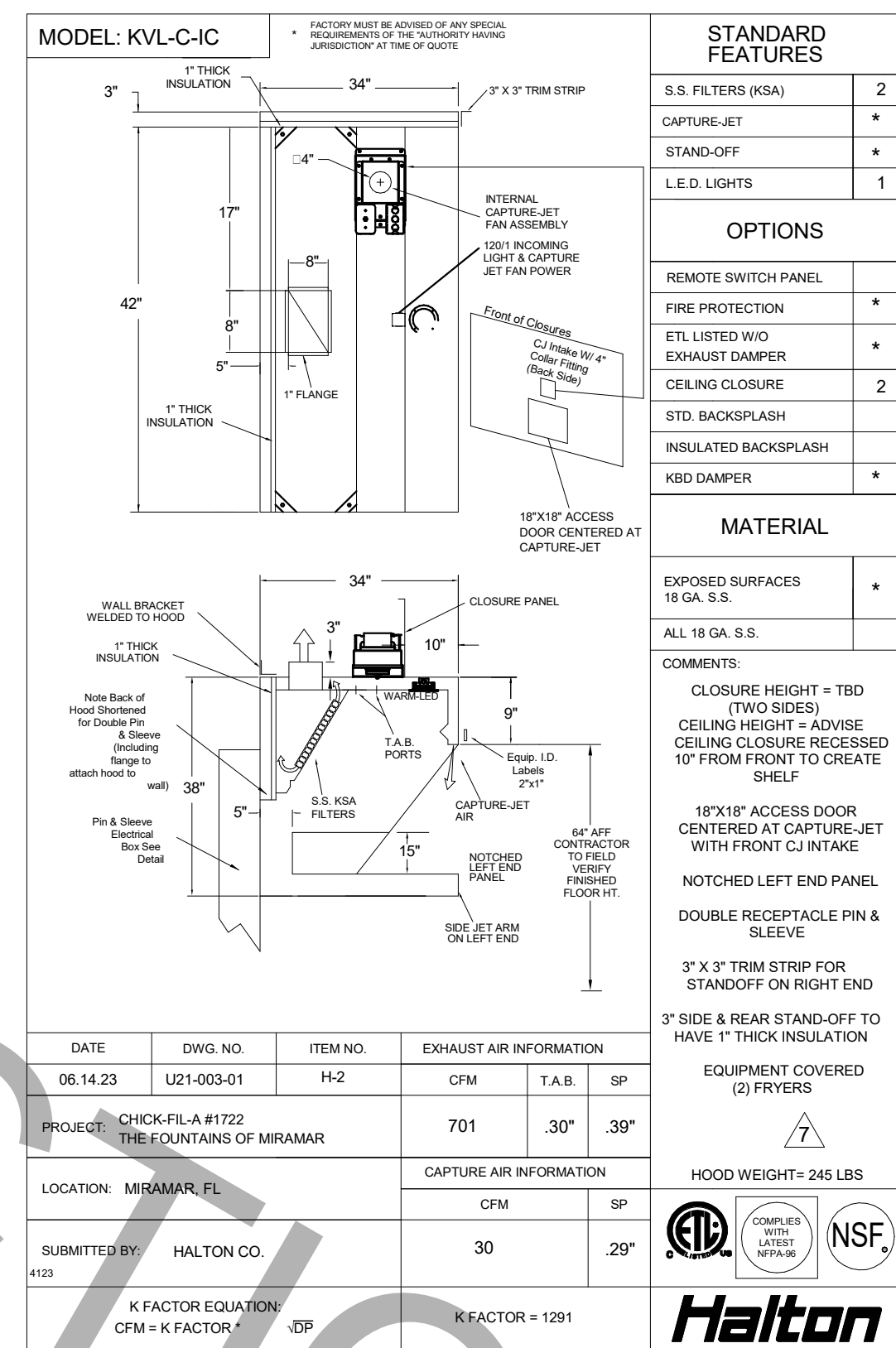
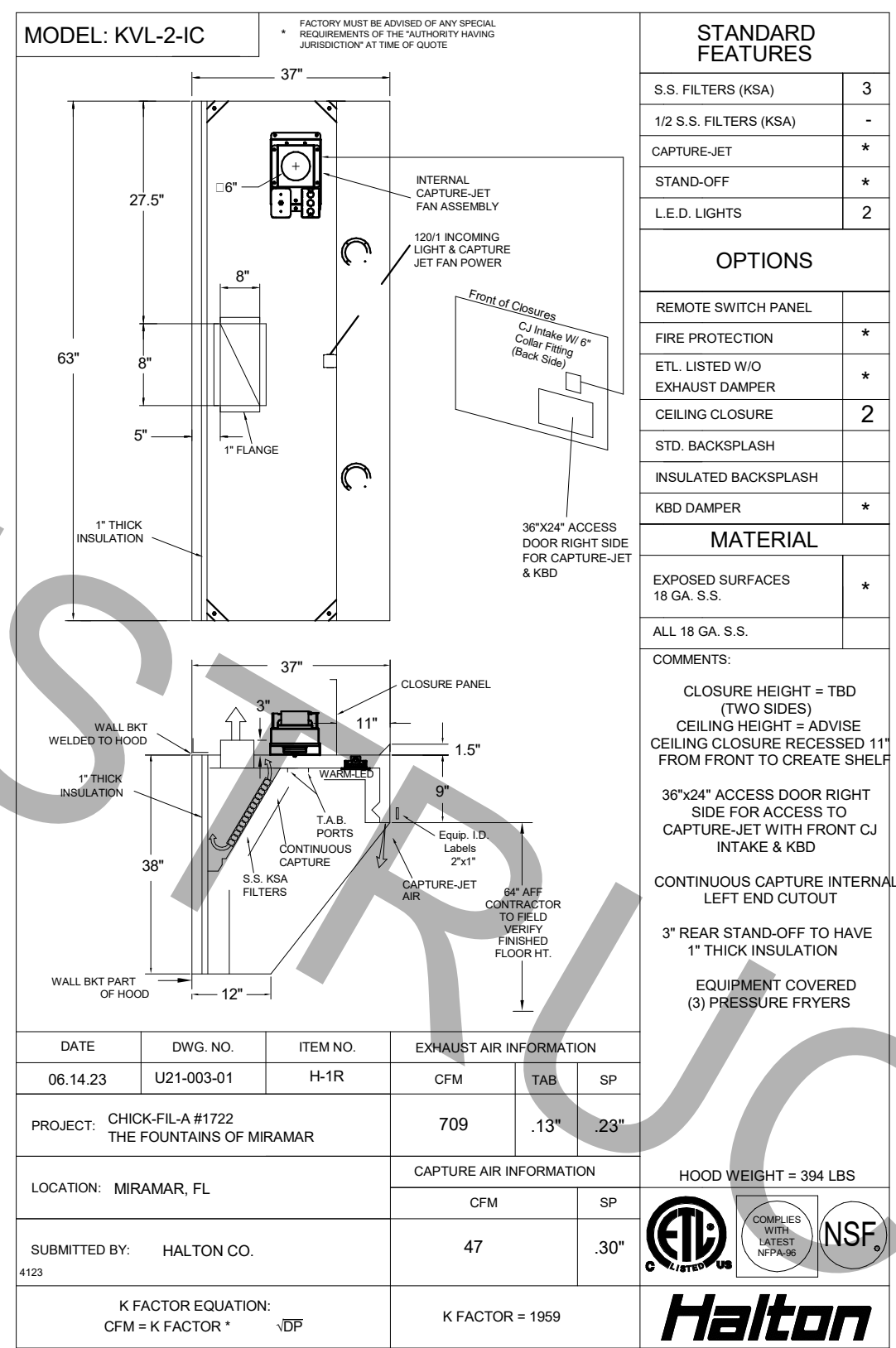
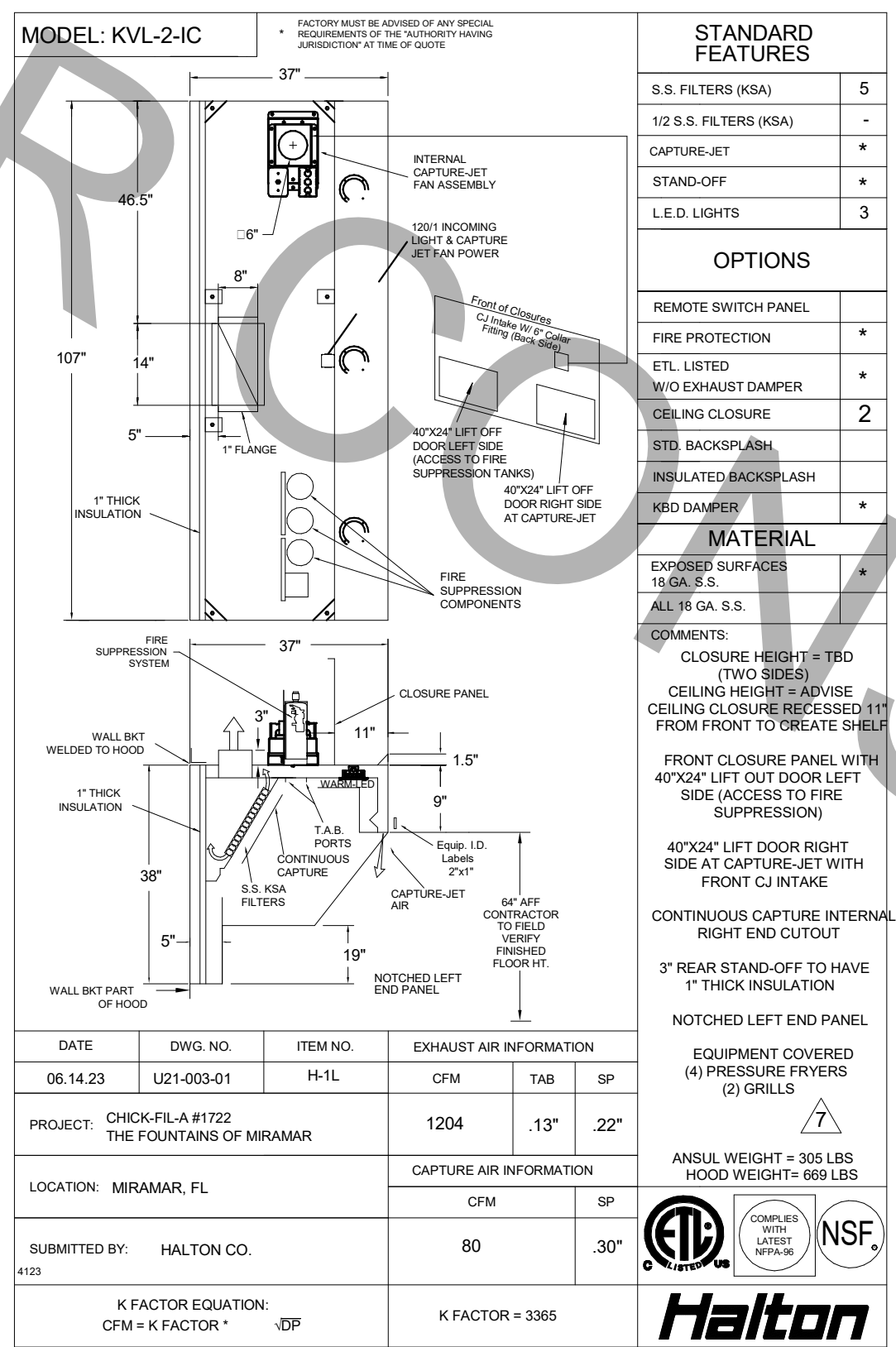
**FSU # 01722**  
BUILDING TYPE / SIZE: S03  
RELEASE: 22-12

REVISION SCHEDULE		
NO.	DATE	DESCRIPTION
3	08/14/23	PERMIT REV 3

CONSULTANT PROJECT #	C29136
PRINTED FOR	CONSTRUCTION
DATE	01-22-21
DRAWN BY	JRH

Information contained on this drawing and in all digital files produced for above named project may not be reproduced in any manner without express written or verbal consent from authorized project representatives.  
SHEET  
HVAC SPECIFICATIONS

SHEET NUMBER  
**M-901**



THIS DRAWING MUST BE CHECKED, SIGNED AND RETURNED TO THE APPROPRIATE FACTORY. PLEASE VERIFY THE FOLLOWING:

- ALL DIMENSIONAL INFORMATION MOUNTING POSITIONS AND CLEARANCES
- THE LOCATION AND TYPE OF COOKING EQUIPMENT

NOTICE: COOKING EQUIPMENT SUCH AS INCREASED ENERGY INPUTS OR EQUIPMENT POSITION MAY AFFECT EXHAUST AIR FLOW. HALTON MUST BE NOTIFIED IF ANY OF THESE CHANGES OCCUR. RECALCULATION EXHAUST AIR FLOW MAY BE REQUIRED.

REVISION AND RESUBMIT:  WITH CHANGES AS NOTED

APPROVED FOR FABRICATION:  WITH CHANGES

DATE: \_\_\_\_\_

WEBSITE: www.halton.com

HALTON CO. (USA)  
101 INDUSTRIAL DRIVE  
SCOTTSDALE, KY 42164  
1-270-237-5600

HALTON CO. (CANADA)  
1021 BREVIK PLACE  
MISSISSAUGA, ON L4W 3R7  
1-905-624-0301

REVISION DESCRIPTION

REV.	DATE	BY	SKK
1	06.14.23	SKK	

CHANGED TO 107-65 LAYOUT

LOCATION: MIRAMAR, FL

DRAWN BY: AF

DATE: 01.04.21

SCALE: NOT TO SCALE

PROJECT: CHICK-FIL-A #1722 THE FOUNTAINS OF MIRAMAR

DRAWING NO.: U21-003-01

SHEET NO.: H-1.1

**Chick-Fil-A**

5200 Buffington Road  
Atlanta, Georgia  
30349-2998

**cph**

www.cphcorp.com

**A Full Service A & E Firm**

Plans Prepared By: CPH, Inc.  
State of Florida License: Engineer No. 3215  
Surveyor No. LB7143  
Architect No. AA26000928  
Landscape No. LC000298

THE EQUIPMENT SHOWN ON THIS SHEET IS DESIGNED BY OTHERS NOT UNDER THE RESPONSIBLE CHARGE OF THE ENGINEER OF RECORD (EOR). THIS SHEET IS ISSUED FOR INFORMATION AND CLARIFICATION ONLY. EOR ACCEPTS NO RESPONSIBILITY FOR ANY OF THIS EQUIPMENT.

**CHICK-FIL-A**  
THE FOUNTAINS OF  
MIRAMAR  
3211 SW 16th AVENUE  
MIRAMAR, FLORIDA 33027

**FSU # 01722**

BUILDING TYPE / SIZE: S03  
RELEASE: 22-12

**REVISION SCHEDULE**

NO.	DATE	DESCRIPTION
3	08/14/23	PERMIT REV 3
4	10/27/23	PERMIT REVISION 4
7	04-08-25	BID ADD 1

CONSULTANT PROJECT # C29136  
PRINTED FOR CONSTRUCTION  
DATE 01-22-21  
DRAWN BY JRH

Information contained on this drawing and in all digital files produced for above named project may not be reproduced in any manner without express written or verbal consent from authorized project representatives.

HALTON HOOD SHOP DRAWING

SHEET NUMBER: MH-101

