



Submittal #230500-1.2 230500 - Basic HVAC Requirements

Gray Construction
10 Quality St.
Lexington, Kentucky 40507
Phone: (859) 281-5000
Fax: (859) 252-5300

Project: 2024052 - Warabeya-Project Excel
1575 Southern Rail Ct
Columbus Ohio, Ohio 43217

Distribution Summary

Distributed on 07/30/2024 by Christopher Prichard (Gray Construction)

To: Benjamin Biddle (Gray Construction), Greg Jones (Gray Construction), Christopher Prichard (Gray Construction), Patrick McHenry (Gray Construction), Daryl Charbonneau (Mullins Mechanical), Nathan Andrews (Mullins Mechanical), Daron Gantt (Mullins Mechanical), Fred Wickham (Mullins Mechanical), Candice Pollard (Mullins Mechanical), Charles Cox (Mullins Mechanical), Mitchell Lewis (Mullins Mechanical)

Message: None

Additional Attachments:

NAME	RESPONSE	ATTACHMENTS	COMMENT
Eric Morgan (Gray Construction)	Exceptions Noted, Resubmittal Not Required		There are several units that are marginal on Capacity, Approval required by EOR. There is a discrepancy on model numbers for the OMS-250-5MA-9 units, please verify. OMS -250 are indicated to have HGB, schedule calls for no HGB- Excel please confirm
Lisa Dickmann (Excel Engineering)	No Exceptions Taken	Tag 61448 Unit Cooler Condensing Unit Subm 230500-1-2-2236840.pdf	See attached Tag 61448-2236840

Unit Cooler and Condensing Unit Submittal

REVISION: 2	SUBMITTAL MANAGER: Christopher Prichard (Gray Construction)
STATUS: No Exceptions Taken	DATE CREATED: 07/22/2024
ISSUE DATE:	SPEC SECTION: 230500 - Basic HVAC Requirements
RESPONSIBLE CONTRACTOR: Mullins Mechanical	RECEIVED FROM: Nathan Andrews
RECEIVED DATE: 07/22/2024	SUBMIT BY: 08/6/2024
FINAL DUE DATE: 08/6/2024	LOCATION: Warabeya
	TYPE: Product Data

APPROVERS: Lisa Dickmann (Excel Engineering), Eric Morgan (Gray Construction)

BALL IN COURT:

DISTRIBUTION:

Benjamin Biddle (Gray Construction), Candice Pollard (Mullins Mechanical), Charles Cox (Mullins Mechanical), Daron Gantt (Mullins Mechanical), Daryl Charbonneau (Mullins Mechanical), Fred Wickham (Mullins Mechanical), Greg Jones (Gray Construction), Mitchell Lewis (Mullins Mechanical), Nathan Andrews (Mullins Mechanical), Patrick McHenry (Gray Construction), Christopher Prichard (Gray Construction)

DESCRIPTION:

Please see the attached revised Unit Cooler, Evaporator, and Condensing Unit submittal.

USE THIS LINK TO ACCESS THE BLUEBEAM STUDIO SESSION.



Submittal #230500-1.2 230500 - Basic HVAC Requirements

(WHEN
APPLICABLE):

SUBMITTAL WORKFLOW

NAME	SENT DATE	DUE DATE	RETURNED DATE	RESPONSE	ATTACHMENTS	COMMENTS
General Information Attachments					230500-1-2 Unit Cooler, Evaporator, and Condensing Unit Submittal.pdf	
Christopher Prichard		07/23/2024	07/23/2024	Submitted	230500-1-2 Unit Cooler, Evaporator, and Condensing Unit Submittal.pdf	
Lisa Dickmann	07/23/2024	08/06/2024	07/29/2024	No Exceptions Taken	Tag 61448 Unit Cooler Condensing Unit Subm 230500-1-2-2236840.pdf (Current)	See attached Tag 61448-2236840
Eric Morgan	07/23/2024	08/06/2024	07/24/2024	Exceptions Noted, Resubmittal Not Required		There are several units that are marginal on Capacity, Approval required by EOR. There is a discrepancy on model numbers for the OMS-250-5MA-9 units, please verify. OMS -250 are indicated to have HGB, schedule calls for no HGB- Excel please confirm

BY _____ DATE _____ COPIES TO _____

Excel Engineering, Inc.
**SHOP DRAWING
TRANSMITTAL**



61448

CONTRACTOR: Gray Construction
Attention: Benjamin Biddle
10 Quality Street
Lexington, KY 40507

CLIENT: Warabeya North America, Inc.
Attention: Michael Norris
1301A Ridgeview Drive, Suite 200
Lewisville, TX 75057-6016

Job: 2236840 - Warabeya Project 2

Item Reviewed:

Unit Cooler Condensing Unit Subm 230500-1-2

THESE ARE TRANSMITTED as checked below:

- No Exceptions Taken Make Corrections Rejected and Resubmit No Action Taken
 Test Results Meet Spec. Test Results Fail Spec. See Shop Drawing Review Sheet

This review is to determine general compliance with the design concept of the construction documents. Corrections and comments or lack there-of marked on this submission does not relieve the contractor from compliance with the requirements of the project construction drawings and specifications.

The contractors shall remain responsible for determining quantities, dimensions, fabrication process, techniques for assembly and installation, and coordination of all measurements. Site conditions shall be checked and verified by the contractor at the job site. Contractor shall insure all work is performed in a safe manner.

Remarks:

Empty box for remarks.

Signed:

Jim Krizenesky, AIA

SHOP DRAWING REVIEW



ITEM	No exceptions taken	Make corrections noted	Rejected and resubmit	
Condensing units	X			
Evaporators	X			
Unit coolers	X			Not reviewed in current shop drawing. Previous submittal of unit coolers accepted.

Engineer's review is for general conformance with the design concept and contract documents. Markings or comments shall not be construed as relieving the contractor from compliance with the project plans and specifications, nor departures therefrom. The contractor remains responsible for details and accuracy, for confirming and correlating all quantities and dimensions, for selecting fabrication processes, for techniques of assembly, and for performing his work in a safe manner.



Submittal #230500-1.2 230500 - Basic HVAC Requirements

Gray Construction
10 Quality St.
Lexington, Kentucky 40507
Phone: (859) 281-5000
Fax: (859) 252-5300

Project: 2024052 - Warabeya-Project Excel
1575 Southern Rail Ct
Columbus Ohio, Ohio 43217

Unit Cooler and Condensing Unit Submittal

REVISION:	2	SUBMITTAL MANAGER:	Christopher Prichard (Gray Construction)
STATUS:	Open	DATE CREATED:	07/22/2024
ISSUE DATE:		SPEC SECTION:	230500 - Basic HVAC Requirements
RESPONSIBLE CONTRACTOR:	Mullins Mechanical	RECEIVED FROM:	Nathan Andrews
RECEIVED DATE:	07/22/2024	SUBMIT BY:	08/6/2024
FINAL DUE DATE:	08/6/2024	LOCATION:	Warabeya
		TYPE:	Product Data

APPROVERS: Lisa Dickmann (Excel Engineering), Eric Morgan (Gray Construction)

BALL IN COURT:
Lisa Dickmann (Excel Engineering), Eric Morgan (Gray Construction)

DISTRIBUTION:
Benjamin Biddle (Gray Construction), Candice Pollard (Mullins Mechanical), Charles Cox (Mullins Mechanical), Daron Gantt (Mullins Mechanical), Daryl Charbonneau (Mullins Mechanical), Fred Wickham (Mullins Mechanical), Greg Jones (Gray Construction), Mitchell Lewis (Mullins Mechanical), Nathan Andrews (Mullins Mechanical), Patrick McHenry (Gray Construction), Christopher Prichard (Gray Construction)

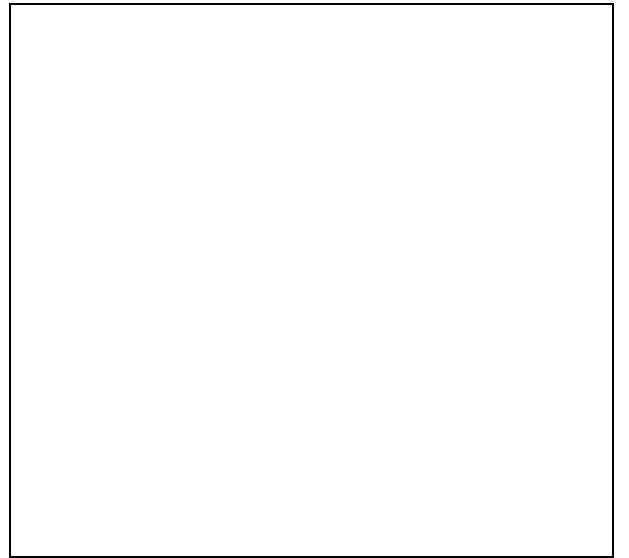
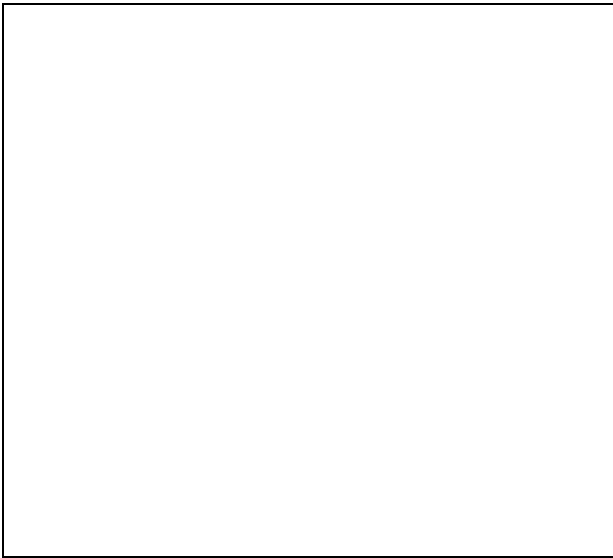
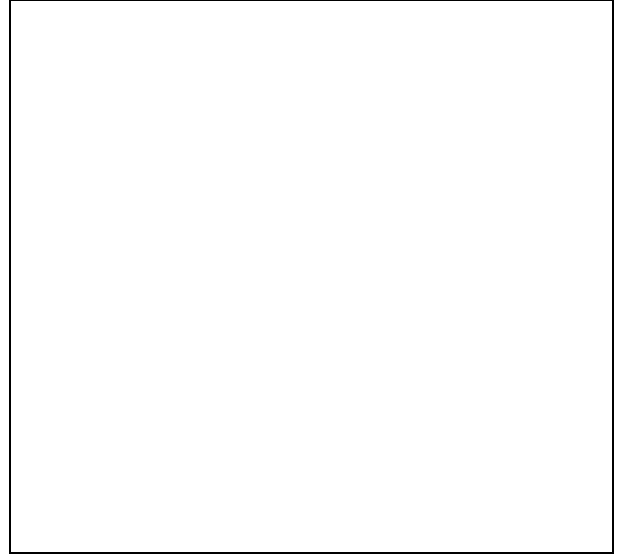
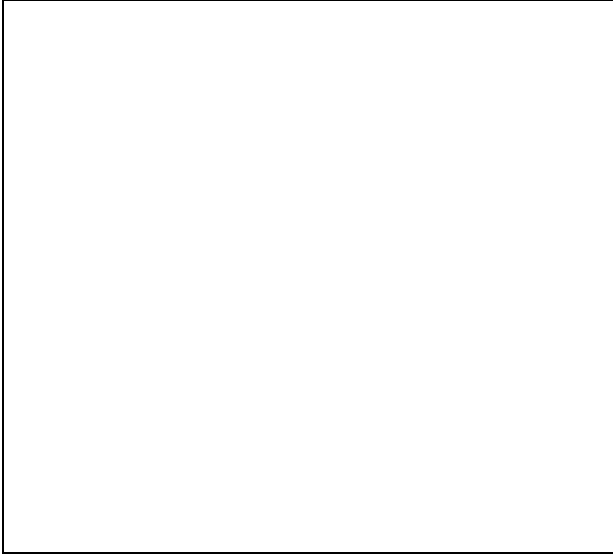
DESCRIPTION:
Please see the attached revised Unit Cooler, Evaporator, and Condensing Unit submittal.

USE THIS LINK TO ACCESS THE BLUEBEAM STUDIO SESSION. (WHEN APPLICABLE):

SUBMITTAL WORKFLOW

NAME	SENT DATE	DUE DATE	RETURNED DATE	RESPONSE	ATTACHMENTS	COMMENTS
General Information Attachments					230500-1-2 Unit Cooler, Evaporator, and Condensing Unit Submittal.pdf	
Christopher Prichard		07/23/2024	07/23/2024	Submitted	230500-1-2 Unit Cooler, Evaporator, and Condensing Unit Submittal.pdf (Current)	
Lisa Dickmann	07/23/2024	08/06/2024		Pending		
Eric Morgan	07/23/2024	08/06/2024		Pending		

BY _____ DATE _____ COPIES TO _____





RefPlus Inc.
 2777, Grande-Allée
 St-Hubert, (QC), J4T 2R4
 Tél : (450) 641-2665
 Fax : (450) 641-4554

Quote #

To :

FES Ohio
 Attn : Joe Rubino
 1725 Washington Road- Suite 302
 Pittsburgh, PA USA
 15241

Informations :

Project Name : Warabeya Ohio Commissary - All Bidding Contractors
Created : 04/19/2024
Created By : Joe Rubino
Last Change : 04/19/2024
Last Change By : Joe Rubino
Tel. : 412 595-8571 Ext. :
Cell : 412-580-5825
Fax :
E-mail :

jrubino@fesohio.com

ITEM #	TAG	DESCRIPTION	QTY	UNIT PRICE	TOTAL PRICE
1		Freezer/Cooler Split Systems	3		
1.1		ONS-250-5MA-9	1		
1.2		EME-07200-9	1		
2	Spec OMS-140	Freezer	3		
2.1		OMS-140-1LA-9	1		
2.2		EME-07200-9	1		
3	8 port	KE2 Switch	3		
4	16 ports	KE2 Switch	6		
5		KE2 EM PLUS	3		
6	Room # 127	LSA-0451-1W	1	PAGE 33	5.3 GPM
7	Room # 129	EQA-04500L-9W	3	PAGE 35	46 GPM
8	Room # 131	LSA-1081-1W	1	PAGE 38	11 GPM
9	Room # 132, 134	EJA-02500L-9W	4	PAGE 41	60 GPM
10	Room # 136	EQA-43300-9W	3	PAGE 44	48 GPM
11	Room # 137	EQA-31500-9W	2	PAGE 47	45 GPM
12	Room # 139	LSA-0451-1W	1	PAGE 50	3 GPM
13	Room # 141, 152, 167	EHA-12400-9W	8	PAGE 53	22 GPM
14	Room # 142	EHA-16200-9W	2	PAGE 56	23 GPM
15	Room # 149A, 149B, 156, 164	EJA-03700L-9W	7	PAGE 59	13.4 GPM
16	Room # 151, 152B	LQA-32100L-9W	5	PAGE 62	54 GPM
17	Room # 152A	LMA-13200-9W	2	PAGE 65	16 GPM
18	Room # 152C	LMA-13200-9W	2	PAGE 68	22 GPM
19	Room # 159A	LQA-15800L-9W	2	PAGE 71	38 GPM
20	Room # 159B, 161B	EJA-06200L-9W	4	PAGE 74	11 GPM
21	Room # 160	EJA-05100L-9W	1	PAGE 77	76 GPM
22	Room # 160A	EJA-02500L-9W	1	PAGE 80	37.1 GPM
23	Room # 173, 162A	EQA-39200-9W	6	PAGE 83	70 GPM

ITEM #	TAG	DESCRIPTION	QTY	UNIT PRICE	TOTAL PRICE
24	Room #, 162B	EJA-07400L-9W	2	PAGE 86	16 GPM
25	Room # 177	EQA-23600-9W	8	PAGE 89	43 GPM
26	Room # 180	EJA-03700L-9W	3	PAGE 92	49 GPM
27	Room # 174, 182	EQA-23600-9W	3	PAGE 95	38 GPM

177-1,5,7,12 FUTURE

This quote is valid for 30 days. Prices are net. All applicable taxes extra.
F.O.B plant in St-Hubert, Québec , Canada



RefPlus Inc.
 2777, Grande-Allée
 St-Hubert, (QC), J4T 2R4
 Tél : (450) 641-2665
 Fax : (450) 641-4554

Quote #	Item #
160635-A	1.1
Freezer/Cooler Split Systems	

To :

FES Ohio
 Attn : Joe Rubino
 1725 Washington Road- Suite 302
 Pittsburgh, PA USA
 15241

Informations :

Project Name : Warabeya Ohio Commissary - All Bidding Contractors
Created : 04/19/2024
Created By : Joe Rubino
Last Change : 04/19/2024
Last Change By : Joe Rubino
Tel. : 412 595-8571 Ext. :
Cell : 412-580-5825
Fax :
E-mail :

jrubino@fesohio.com

ITEM #	TAG	DESCRIPTION	QTY	UNIT PRICE	TOTAL PRICE
1.1		ONS-250-5MA-9	1		

Capacity 204.66 mbh
 SST 25 °F
 Main Voltage 480/3/60
 Refrigerant R-448A/R-449A

OPTIONS

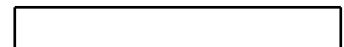
- Fan cycling - Johnson Pressure Controls serie P170 1
- Note #1 - Multi-refrigerant unit (R-448A/R449A, R-407A/R407F, R404A/R507A) 1
- Note #2 - Refrigerants R-404A and R-507A are not allowed in Canada 1
- Electric defrost kit (1/2) - Contactors and fuses 1
- Hot gas bypass kit - Sporlan mechanical 25 tons 1
- First fan start delay switch - Standard 1
- Note - This unit is in a system 1
- Compressor(s) time delay - Standard on break (anti-short cycling) 1
- Discharge thermostat - Standard 1
- Disconnect - Standard non-fused 1
- Electric defrost kit (2/2) - Controller : No controller 1
- Flooding valve - Standard adjustable (included) 1
- Liquid line kit - Standard replaceable 1
- Low ambient Kit - Standard 1
- Oil separator - Standard 1
- Pressure controls - Adjustable (Johnson P170 Series Dual Control with flexible hoses) 1
- Pressure gauges - High and low refrigerant pressure 1
- Suction accumulator - Standard with boil-out heat exchanger 1
- Suction filter - Standard replaceable 1

ADDITIONAL ITEMS

This quote is valid for 30 days. Prices are net. All applicable taxes extra.
 F.O.B plant in St-Hubert, Québec , Canada

Additional Pressure controls for medium temp - Adjustable (Johnson P170 Series Dual Control with flexible hoses)	1
Toggle switch and custom wiring for Guardian second room temperature aux contact operation and energize second compressor pressure control set	1
Special Condensing unit option kits - Bitzer head cooling fan kits	1
Hot gas bypass energized at MT mode only.	1

This quote is valid for 30 days. Prices are net. All applicable taxes extra.
 F.O.B plant in St-Hubert, Québec , Canada





RefPlus Inc.
 2777, Grande-Allée
 St-Hubert, (QC), J4T 2R4
 Tél : (450) 641-2665
 Fax : (450) 641-4554

Quote #	Item #
160635-A	1.1
Freezer/Cooler Split Systems	

ONS-250-5MA-9

General Informations

Ambient Temperature :	95 °F	Capacity :	204.66 mbh
Saturated Suction Temp. :	25 °F		(17.06) tons
Unit SST Range Capability :	0 to 40 °F		
Refrigerant Type :	R-448A/R-449A	Unit Estimated Weight :	2091.00 lbs
Application :	MEDIUM TEMPERATURE	Options Estimated Weight :	143.00 lbs
		Total Estimated Weight :	2234.00 lbs
		Unit Type :	Outdoor Air Cooled
		Model Status :	Standard Catalog

System Electrical Summary Data

System Voltage :	480/3/60 V	System MCA :	56.90 A
System MOP :	90 A		
Control Voltage :	240/1/60 V		

Fan(s) Data

Fan Motor Type :	Single Speed	Fan Arrangement :	1 X 2
Fan Motor HP :	2.00 HP	Fan Motor Total FLA :	6.80 A
Fan Motor RPM :	1140 RPM		
Fan Motor FLA :	3.40 A		

Condenser Coil(s) Data

Total Summer Charge :	11.80 lbs
Total Winter Charge :	29.40 lbs
Fin Material :	Aluminium
Tube Material :	Riffle Copper

Compressor(s) Data

Circuit Quantity :	1	Compressor Type :	SEMI-HERMETIC
		Compressor Brand :	BITZER

Circuit #1

Compressor Model : 4HE-25Y

Unloader : None

RLA (MCC/1.56) :	37.80 A
LRA :	218.00 A
Liquid Connection Size :	1 1/8 "
Suction Connection Size :	2 1/8 "
Discharge Connection Size :	1 3/8 "
Connections Material :	Copper

Receiver(s) Data

Receiver #1

Model :	10 3/4 " X 48 "
Total Charge :	138.0 lbs

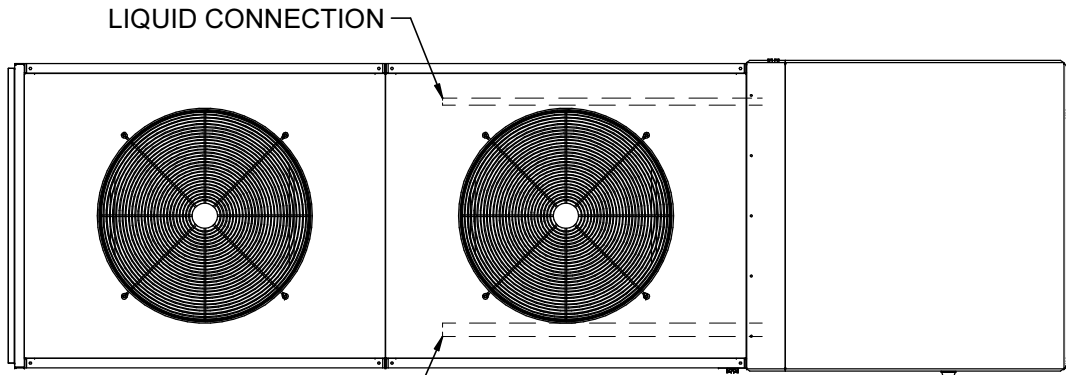
Note(s)

This unit is compatible with the following refrigerants: R-448A/R449A, R-407A/R407F, R404A/R507A

Note(s)

Refrigerants R-404A and R-507A are not allowed in Canada

WARNING: If this unit was AWEF certified, it will lose its certification due to the pressure fan cycling option.

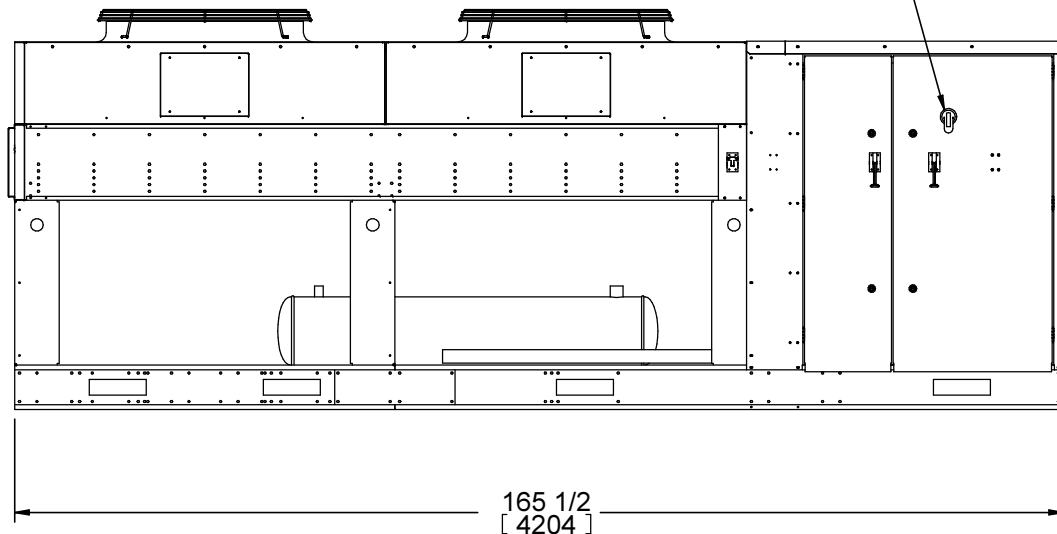


SUCTION CONNECTION

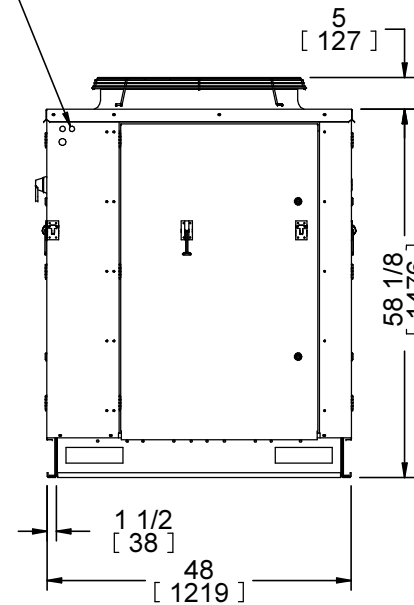
LIQUID CONNECTION

ELECTRICAL SERVICE KNOCKOUTS

OPTIONAL DISCONNECT
(HANDLE TO BE INSTALLED ON JOB SITE)



165 1/2
[4204]



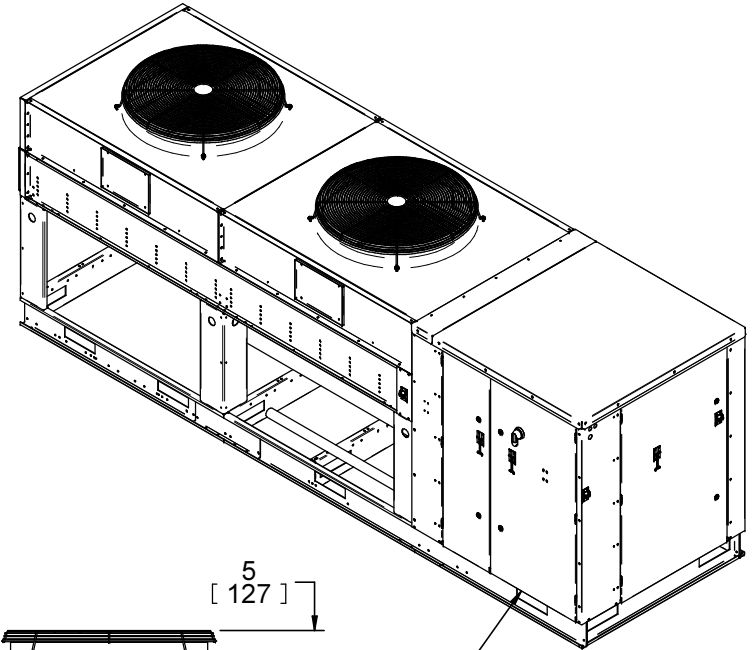
5
[127]

58 1/8
[1476]

1 1/2
[38]

48
[1219]

CONTROL BOX



Copyright © 2012 Refplus inc. Tous droits réservés. Toute reproduction de ces dessins sans l'autorisation écrite de Refplus inc. est strictement interdite. Refplus inc., ses filiales et représentants ne peuvent en aucun cas être tenus responsables pour tout dommage découlant de toute erreur ou omission dans les dessins, ou tout dommage relié aux dessins ou à l'utilisation de ceux-ci par votre compagnie, ses filiales ou ses représentants.

Copyright © 2012 Refplus inc. All rights reserved. Any reproduction, in whole or in part, of these drawings is strictly prohibited without the written consent of Refplus inc. Refplus inc., its affiliates and representatives expressly disclaim any and all liability based on or relating to these drawings, or errors or omissions in same, or based on the use of these drawings by you, your affiliates or representatives.

Note:

À moins d'avis contraire, les dimensions sont en pouces / Unless otherwise specified, dimensions are in inches.

Tolérances / Tolerances

Frac: ±1/8 Dec: --- Ang: ±2°

Non à l'échelle / Not to scale

Rev.	Date	Par/By	Description

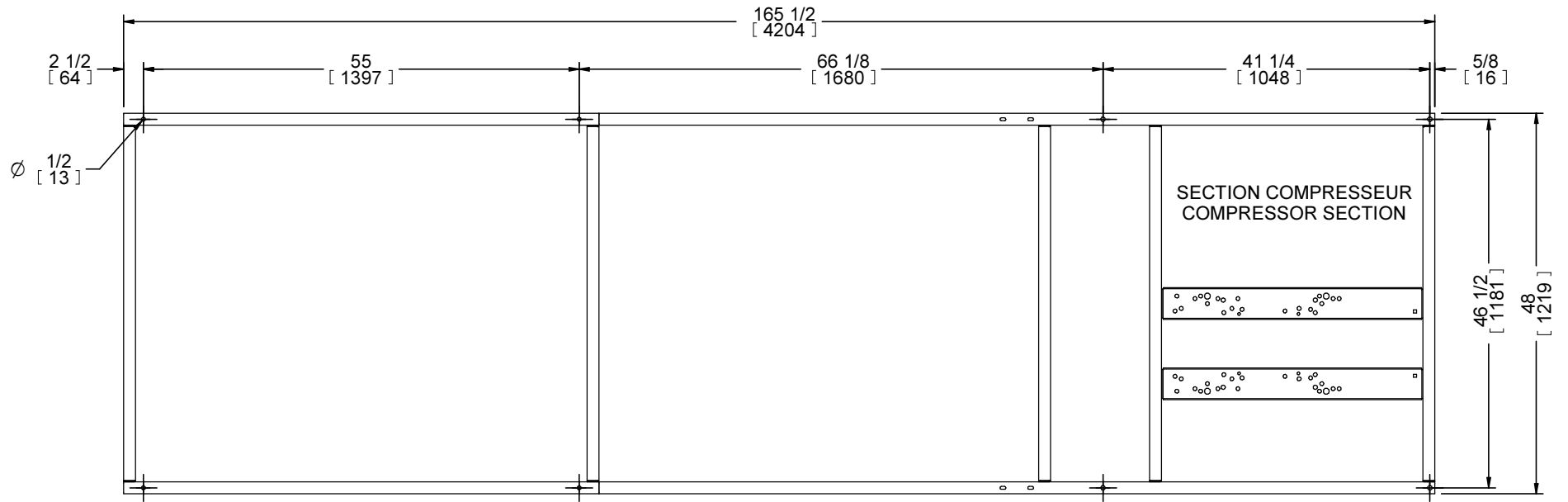


2777, Grande-Allée
St-Hubert, Québec
CANADA, J4T 2R4
Tel: (450) 641-2665
Fax: (450) 923-5210
www.refplus.com

Modèle / Model :

Par / By : G.MORIN Date : 2017-04-20

Numéro Dessin / Drawing Number ON12E Rev.



VUE DE DESSOUS
VIEWED FROM BOTTOM

Rev.	Date	Par/By	Description


 2777, Grande-Allée
 St-Hubert, Québec
 CANADA, J4T 2R4
 Tel: (450) 641-2665
 Fax: (450) 923-5210
 www.refplus.com

Copyright © 2012 Refplus inc. Tous droits réservés. Toute reproduction de ces dessins sans l'autorisation écrite de Refplus inc. est strictement interdite. Refplus inc., ses filiales et représentants ne peuvent en aucun cas être tenus responsables pour tout dommage découlant de toute erreur ou omission dans les dessins, ou tout dommage relié aux dessins ou à l'utilisation de ceux-ci par votre compagnie, ses filiales ou ses représentants.

Copyright © 2012 Refplus inc. All rights reserved. Any reproduction, in whole or in part, of these drawings is strictly prohibited without the written consent of Refplus inc. Refplus inc., its affiliates and representatives expressly disclaim any and all liability based on or relating to these drawings, or errors or omissions in same, or based on the use of these drawings by you, your affiliates or representatives.

Note:

À moins d'avis contraire, les dimensions sont en pouces / Unless otherwise specified, dimensions are in inches.

Tolérances / Tolerances

Frac: ±1/8 Dec: --- Ang: ± 2°

Non à l'échelle / Not to scale

Modèle / Model : POSITION DES TROUS DE MONTAGE
POSITION OF MOUNTING HOLES

Par / By : G.MORIN Date : 2017-05-09

Numéro Dessin / Drawing Number ON-MTG | X 2 Rev.



RefPlus Inc.
 2777, Grande-Allée
 St-Hubert, (QC), J4T 2R4
 Tél : (450) 641-2665
 Fax : (450) 641-4554

Quote #	Item #
160635-A	1.2
Freezer/Cooler Split Systems	

To :

FES Ohio
 Attn : Joe Rubino
 1725 Washington Road- Suite 302
 Pittsburgh, PA USA
 15241

Informations :

Project Name : Warabeya Ohio Commissary - All Bidding Contractors
Created : 04/19/2024
Created By : Joe Rubino
Last Change : 04/19/2024
Last Change By : Joe Rubino
Tel. : 412 595-8571 Ext. :
Cell : 412-580-5825
Fax :
E-mail :

jrubino@fesohio.com

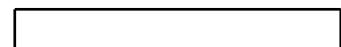
ITEM #	TAG	DESCRIPTION	QTY	UNIT PRICE	TOTAL PRICE
1.2		EME-07200-9	1		

Capacity 57.84 mbh
 TD 10.4 °FTD
 Main Voltage 480/3/60
 Refrigerant R-448A
 FPI 4

OPTIONS

Electronic expansion valve (EEV) - KE2 RSV series 1
 Note - This unit is in a system 1
 Air Throw - Standard 1
 Casing finish - Standard 1
 Controller for EEV/TXV - Refplus Guardian+ factory installed 1
 Liquid line solenoid(s) - Standard factory installed 1

This quote is valid for 30 days. Prices are net. All applicable taxes extra.
 F.O.B plant in St-Hubert, Québec , Canada





RefPlus Inc.
 2777, Grande-Allée
 St-Hubert, (QC), J4T 2R4
 Tél : (450) 641-2665
 Fax : (450) 641-4554

Quote #	Item #
160635-A	1.2
Freezer/Cooler Split Systems	

EME-07200-9

General Informations

Capacity : **57.840 mbh @ 10.4 °FTD @ 0 °F SST**
(4.82 tons @ 10.4 °FTD @ 0 °F SST)

Unit TD Range Capability :	6 To 30	°F	Defrost Type :	Electric defrost
Unit SST Range Capability :	-40 To 30	°F	Unit Estimated Weight :	720.00 lbs
Liquid Temperature :	100.00	°F	Options Estimated Weight :	30.00 lbs
Refrigerant Type :	R-448A		Total Estimated Weight :	750.00 lbs
Refrigerant Charge :	23.60	lbs	Unit Type :	Medium industrial walk-in

Model Status : **Standard Catalog**

Fan(s) Data

Fan Motor Type :	Single Speed	Fan Arrangement :	1 X 3
Fan Motor HP :	0.50 HP	Fan Motor Total FLA :	2.85 A
Fan Motor RPM :	1140 RPM	Total Nominal CFM :	12300.00
Fan Motor FLA :	0.95 A		

DX Coil(s) Data

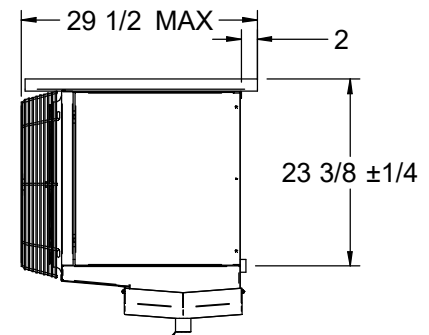
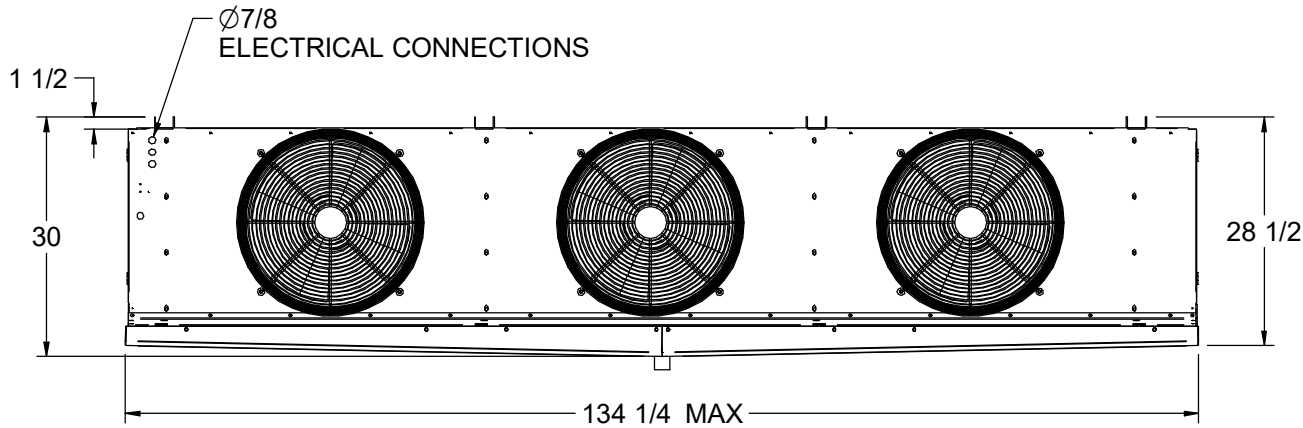
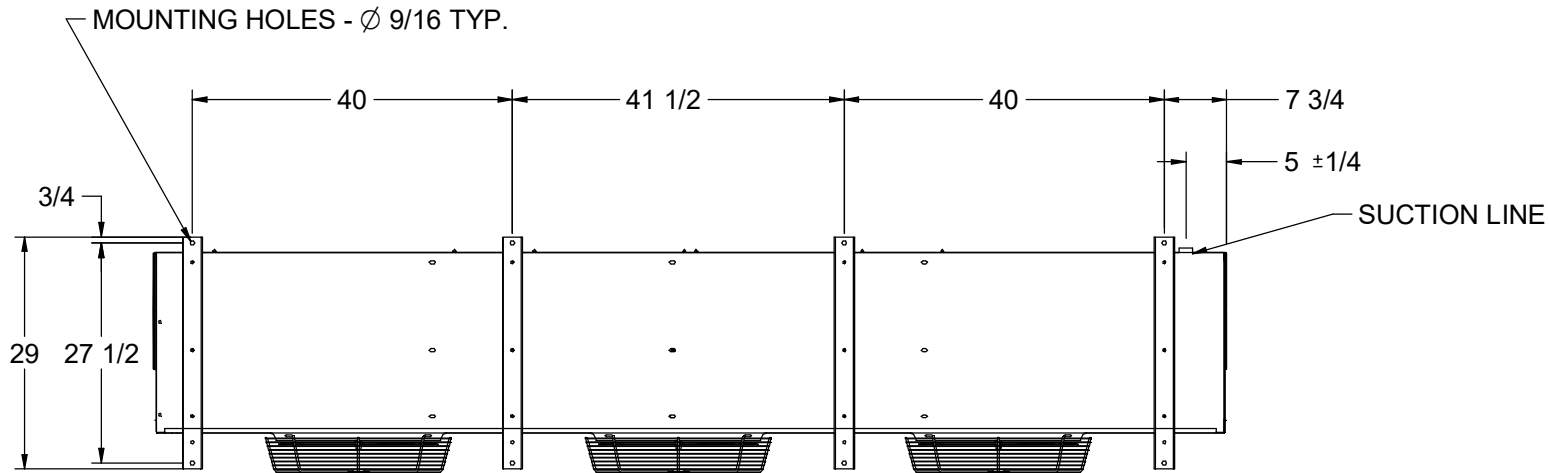
Fins Per Inch :	4 FPI	Fin Material :	Aluminium
Coil Quantity :	1	Tube Material :	Copper
		Connections Material :	Copper
		Distributor Connection Size :	7/8"
		Suction Connection Size :	1 5/8"
		Hot Gas Connection Size :	N/A

Heater(s) Data

Heater Quantity In Coil :	9	Heater FLA :	11.81 A
Heater Quantity In Drain Pan :	3	Heater Total Power (Kw) :	9.82 Kw

System Electrical Summary Data

Unit Voltage :	480/3/60	Fan Motor & Ctrl MCA :	3.09 A
Heater MCA :	14.76 A	Fan Motor & Ctrl MOP :	15 A
Heater MOP :	15 A		
Control Voltage :	240/1/60 V		



1 1/4 FPT REMOVABLE DRAIN FITTING

K	10-01-23	MN	MISE À JOUR
J	22-05-19	OBH	MISE À JOUR DU CARTOUCHE
I	08-03-19	OBH	CHANGEMENT DRAIN PAN
H	12-06-17	S.V.	TRANSITION AUTOCAD-SOLIDEDGE
G	18-04-16	MC.	ENLEVER LE MODÈLE EMIGHI
F	06-02-07	MC.	DRAIN 1 1/4 FPT ÉTAIT 7/8 ID.
E	23-03-04	MC.	DESSOUS EN PENTE. ÉLARGIR LE BAC.
D	01-10-02	MC.	BAC D'ÉGOUT. EN PENTE

Rev.	Date	Par/By	Description
------	------	--------	-------------

REFPLUS

2777, Grande-Allée
St-Hubert, Québec
CANADA, J4T 2R4
Tel: (450) 641-2665
Fax: (450) 923-5210
www.refplus.com

Copyright © 2012 Refplus inc. Tous droits réservés. Toute reproduction de ces dessins sans l'autorisation écrite de Refplus inc. est strictement interdite. Refplus inc., ses filiales et représentants ne peuvent en aucun cas être tenus responsables pour tout dommage découlant de toute erreur ou omission dans les dessins, ou tout dommage relié aux dessins ou à l'utilisation de ceux-ci par votre compagnie, ses filiales ou ses représentants.

Copyright © 2012 Refplus inc. All rights reserved. Any reproduction, in whole or in part, of these drawings is strictly prohibited without the written consent of Refplus inc. Refplus inc., its affiliates and representatives expressly disclaim any and all liability based on or relating to these drawings, or errors or omissions in same, or based on the use of these drawings by you, your affiliates or representatives.

Note:

À moins d'avis contraire, les dimensions sont en pouces / Unless otherwise specified, dimensions are in inches.

Tolérances / Tolerances

Frac: ±1/8 Dec: --- Ang: ± 2°

Non à l'échelle / Not to scale

Modèle / Model :

EMIAE, 3 VENT.

Par / By : Samuel Vendetti

Date : 01 SEPT. 1998

Numéro Dessin / Drawing Number

EMI0003

Rev.

K



RefPlus Inc.
 2777, Grande-Allée
 St-Hubert, (QC), J4T 2R4
 Tél : (450) 641-2665
 Fax : (450) 641-4554

Quote #	Item #
160635-A	2.1
Freezer	

To :

FES Ohio
 Attn : Joe Rubino
 1725 Washington Road- Suite 302
 Pittsburgh, PA USA
 15241

Informations :

Project Name : Warabeya Ohio Commissary - All Bidding Contractors
 Created : 04/19/2024
 Created By : Joe Rubino
 Last Change : 04/19/2024
 Last Change By : Joe Rubino
 Tel. : 412 595-8571 Ext. :
 Cell : 412-580-5825
 Fax :
 E-mail :

jrubino@fesohio.com

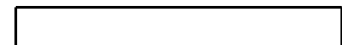
ITEM #	TAG	DESCRIPTION	QTY	UNIT PRICE	TOTAL PRICE
2.1		OMS-140-1LA-9	1		

Capacity 55.41 mbh
 SST -23 °F
 Main Voltage 480/3/60
 Refrigerant R-448A/R-449A

OPTIONS

Fan cycling - Johnson Pressure Controls serie P170 1
 Note #1 - Multi-refrigerant unit (R-448A/R449A, R-407A/R407F, R404A/R507A) 1
 Note #2 - Refrigerants R-404A and R-507A are not allowed in Canada 1
 Electric defrost kit (1/2) - Contactors and fuses 1
 Oversized receiver - Large (10-3/4" x 48") 1
 Additional cooling device(s) - Demand cooling (included) 1
 First fan start delay switch - Standard 1
 Note - This unit is in a system 1
 Compressor(s) time delay - Standard on break (anti-short cycling) 1
 Discharge thermostat - Standard 1
 Disconnect - Standard non-fused 1
 Electric defrost kit (2/2) - Controller : No controller 1
 Flooding valve - Standard adjustable 1
 Liquid line kit - Standard replaceable 1
 Low ambient Kit - Standard 1
 Oil separator - Standard 1
 Pressure controls - Adjustable (Johnson P170 Series Dual Control with flexible hoses) 1
 Pressure gauges - High and low refrigerant pressure 1
 Suction accumulator - Standard 1
 Suction filter - Standard replaceable 1

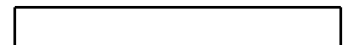
This quote is valid for 30 days. Prices are net. All applicable taxes extra.
 F.O.B plant in St-Hubert, Québec , Canada



Solenoid for liquid line kit - Standard

1

This quote is valid for 30 days. Prices are net. All applicable taxes extra.
F.O.B plant in St-Hubert, Québec , Canada





RefPlus Inc.
 2777, Grande-Allée
 St-Hubert, (QC), J4T 2R4
 Tél : (450) 641-2665
 Fax : (450) 641-4554

Quote #	Item #
160635-A	2.1
Freezer	

OMS-140-1LA-9

General Informations

Ambient Temperature :	95	°F	Capacity :	55.41	mbh
Saturated Suction Temp. :	-23	°F		(4.62)	tons
Unit SST Range Capability :	-40 to 0	°F			
Refrigerant Type :	R-448A/R-449A		Unit Estimated Weight :	1782.00	lbs
Application :	LOW TEMPERATURE		Options Estimated Weight :	185.00	lbs
			Total Estimated Weight :	1967.00	lbs
			Unit Type :	Outdoor Air Cooled	
			Model Status :	Standard Catalog	

System Electrical Summary Data

System Voltage :	480/3/60	V	System MCA :	34.42	A
System MOP :	50	A			
Control Voltage :	240/1/60	V			

Fan(s) Data

Fan Motor Type :	Single Speed		Fan Arrangement :	1 X 2	
Fan Motor HP :	0.50	HP	Fan Motor Total FLA :	2.94	A
Fan Motor RPM :	1140	RPM			
Fan Motor FLA :	1.70	A			

Condenser Coil(s) Data

Total Summer Charge :	13.10	lbs
Total Winter Charge :	32.70	lbs
Fin Material :	Aluminium	
Tube Material :	Riffle Copper	

Compressor(s) Data

Circuit Quantity :	1	Compressor Type :	SEMI-HERMETIC
		Compressor Brand :	COPELAND

Circuit #1

Compressor Model : 4DHNF63KE-TSK

Unloader : None

RLA (MCC/1.56) :	22.90	A
LRA :	139.00	A
Liquid Connection Size :	7/8	"
Suction Connection Size :	2 1/8	"
Discharge Connection Size :	1 1/8	"
Connections Material :	Copper	

Receiver(s) Data

Receiver #1 (Optional / Oversized)

Model :	10 3/4 " X 48 "	
Total Charge :	138.0	lbs

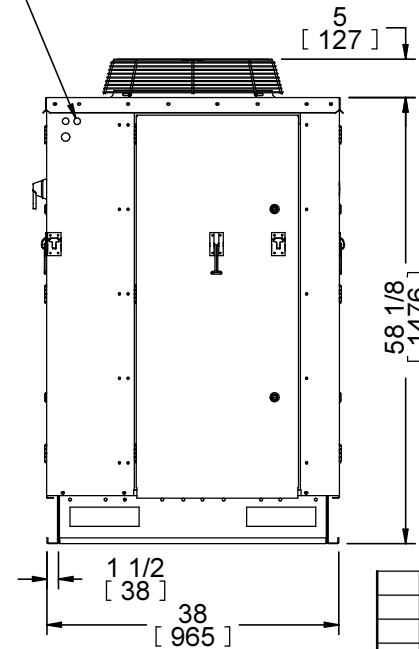
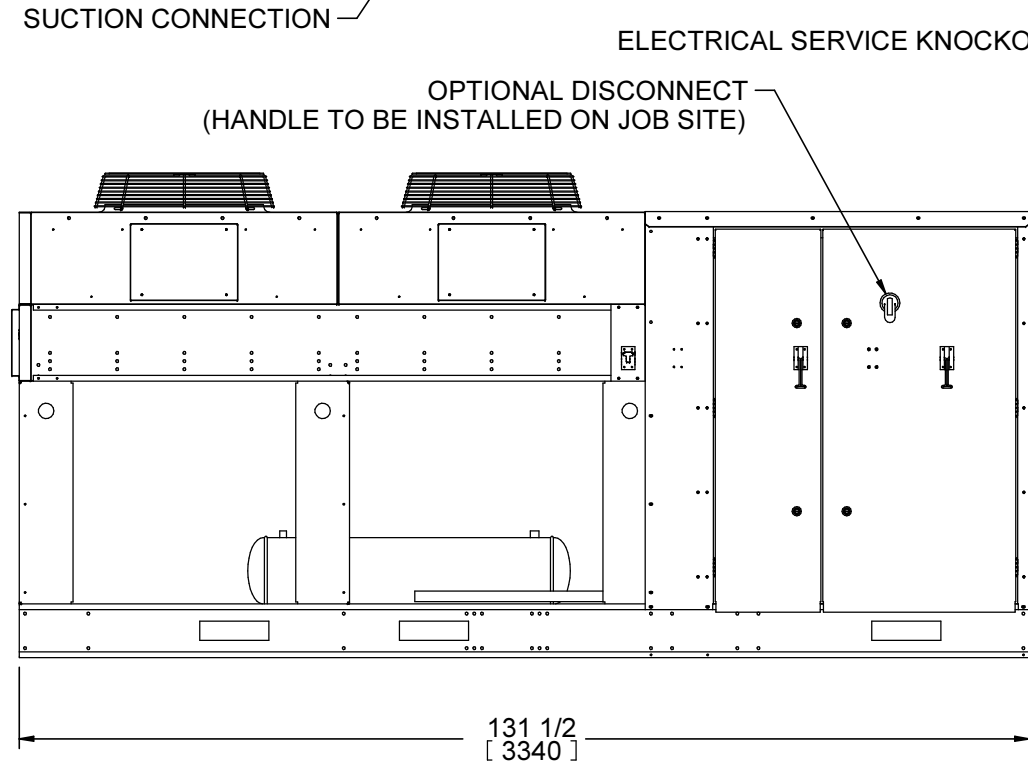
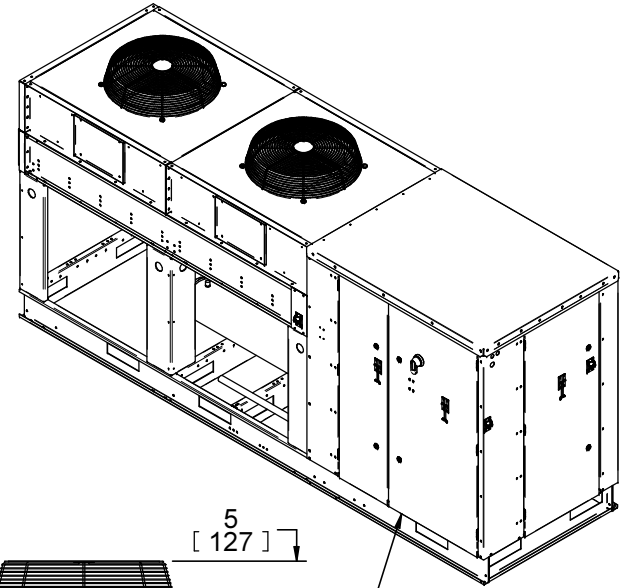
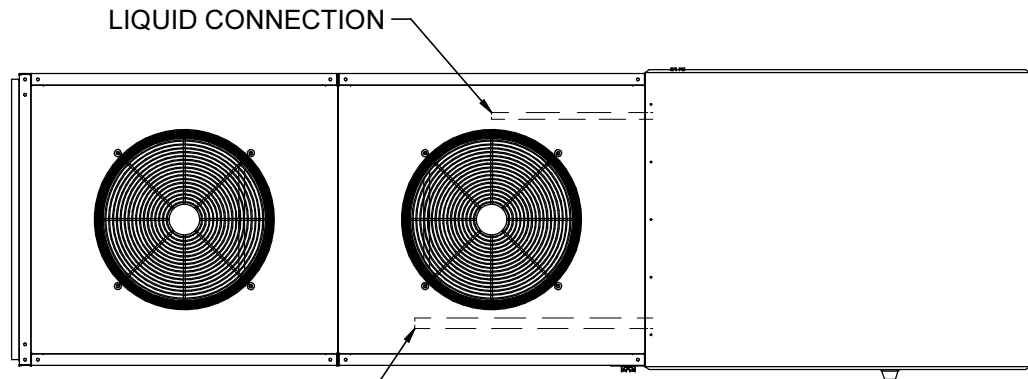
Note(s)

This unit is compatible with the following refrigerants: R-448A/R449A, R-407A/R407F, R404A/R507A

Note(s)

Refrigerants R-404A and R-507A are not allowed in Canada

WARNING: If this unit was AWEF certified, it will lose its certification due to the pressure fan cycling option.



Rev.	Date	Par/By	Description



2777, Grande-Allée
 St-Hubert, Québec
 CANADA, J4T 2R4
 Tel: (450) 641-2665
 Fax: (450) 923-5210
 www.refplus.com

Copyright © 2012 Refplus inc. Tous droits réservés. Toute reproduction de ces dessins sans l'autorisation écrite de Refplus inc. est strictement interdite. Refplus inc., ses filiales et représentants ne peuvent en aucun cas être tenus responsables pour tout dommage découlant de toute erreur ou omission dans les dessins, ou tout dommage relié aux dessins ou à l'utilisation de ceux-ci par votre compagnie, ses filiales ou ses représentants.

Copyright © 2012 Refplus inc. All rights reserved. Any reproduction, in whole or in part, of these drawings is strictly prohibited without the written consent of Refplus inc. Refplus inc., its affiliates and representatives expressly disclaim any and all liability based on or relating to these drawings, or errors or omissions in same, or based on the use of these drawings by you, your affiliates or representatives.

Note:

À moins d'avis contraire, les dimensions sont en pouces / Unless otherwise specified, dimensions are in inches.
Tolérances / Tolerances
 Frac: ±1/8 Dec: --- Ang: ± 2°
 Non à l'échelle / Not to scale

Modèle / Model :		
Par / By :	G.MORIN	Date : 2017-04-13
Numéro Dessin / Drawing Number		Rev.
OMI2E		



RefPlus Inc.
 2777, Grande-Allée
 St-Hubert, (QC), J4T 2R4
 Tél : (450) 641-2665
 Fax : (450) 641-4554

Quote #	Item #
160635-A	2.2
Freezer	

To :

FES Ohio
 Attn : Joe Rubino
 1725 Washington Road- Suite 302
 Pittsburgh, PA USA
 15241

Informations :

Project Name : Warabeya Ohio Commissary - All Bidding Contractors
Created : 04/19/2024
Created By : Joe Rubino
Last Change : 04/19/2024
Last Change By : Joe Rubino
Tel. : 412 595-8571 Ext. :
Cell : 412-580-5825
Fax :
E-mail :

jrubino@fesohio.com

ITEM #	TAG	DESCRIPTION	QTY	UNIT PRICE	TOTAL PRICE
2.2		EME-07200-9	1		

Capacity 57.84 mbh
 TD 10.4 °FTD
 Main Voltage 480/3/60
 Refrigerant R-448A
 FPI 4

OPTIONS

Electronic expansion valve (EEV) - KE2 RSV series 1
 Note - This unit is in a system 1
 Air Throw - Standard 1
 Casing finish - Standard 1
 Controller for EEV/TXV - Refplus Guardian+ factory installed 1
 Liquid line solenoid(s) - Standard factory installed 1

This quote is valid for 30 days. Prices are net. All applicable taxes extra.
 F.O.B plant in St-Hubert, Québec , Canada





RefPlus Inc.
 2777, Grande-Allée
 St-Hubert, (QC), J4T 2R4
 Tél : (450) 641-2665
 Fax : (450) 641-4554

Quote #	Item #
160635-A	2.2
Freezer	

EME-07200-9

General Informations

Capacity : **57.840 mbh @ 10.4 °FTD @ 0 °F SST**
(4.82 tons @ 10.4 °FTD @ 0 °F SST)

Unit TD Range Capability :	6 To 30	°F	Defrost Type :	Electric defrost
Unit SST Range Capability :	-40 To 30	°F	Unit Estimated Weight :	720.00 lbs
Liquid Temperature :	100.00	°F	Options Estimated Weight :	30.00 lbs
Refrigerant Type :	R-448A		Total Estimated Weight :	750.00 lbs
Refrigerant Charge :	23.60	lbs	Unit Type :	Medium industrial walk-in

Model Status : **Standard Catalog**

Fan(s) Data

Fan Motor Type :	Single Speed	Fan Arrangement :	1 X 3
Fan Motor HP :	0.50 HP	Fan Motor Total FLA :	2.85 A
Fan Motor RPM :	1140 RPM	Total Nominal CFM :	12300.00
Fan Motor FLA :	0.95 A		

DX Coil(s) Data

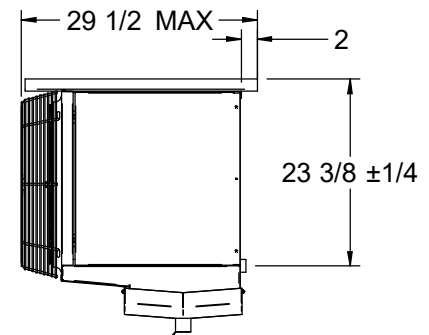
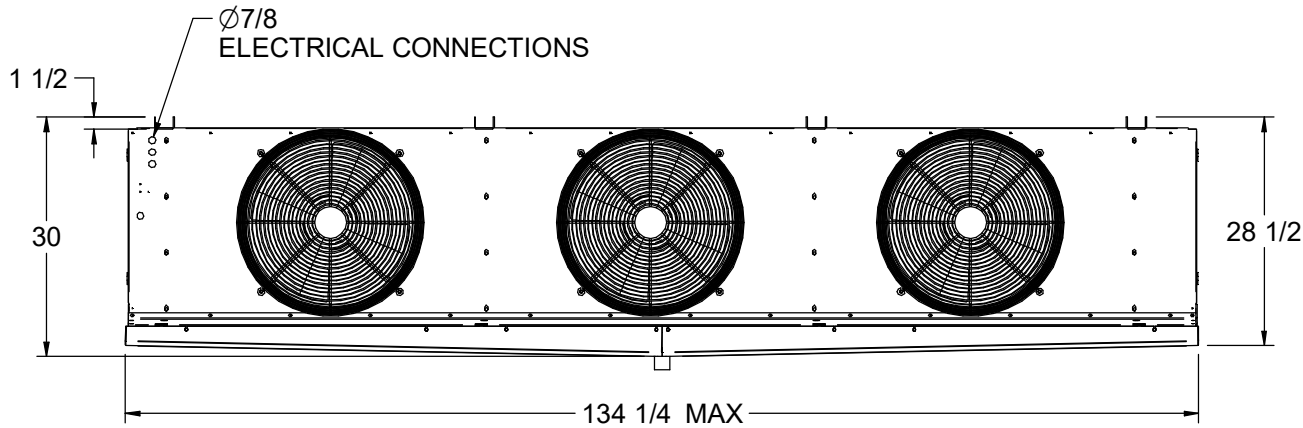
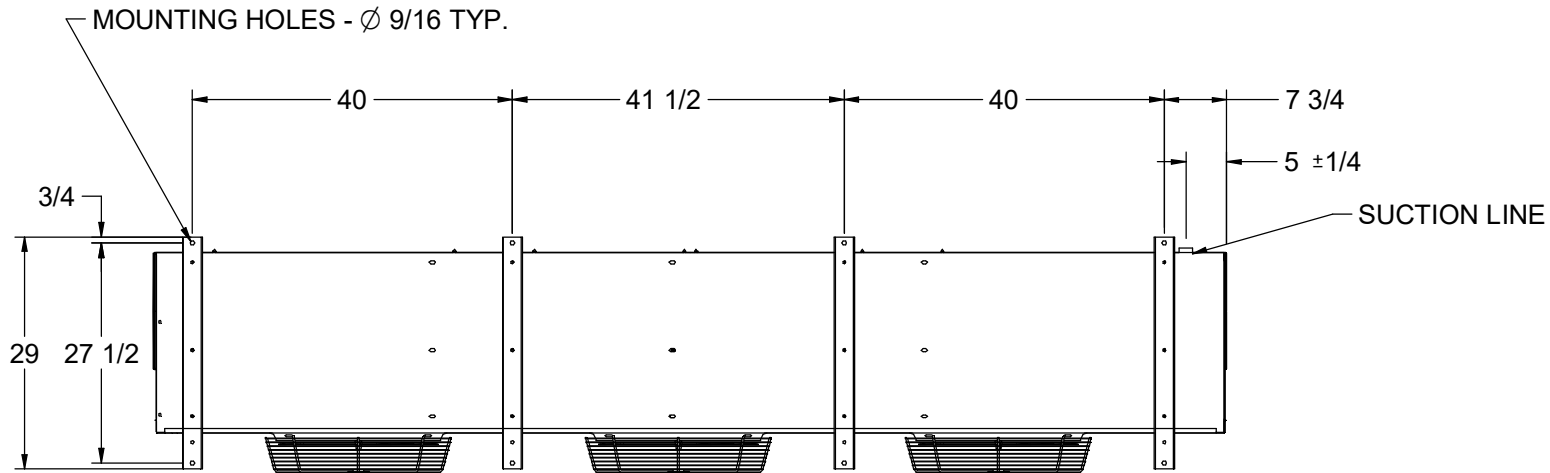
Fins Per Inch :	4 FPI	Fin Material :	Aluminium
Coil Quantity :	1	Tube Material :	Copper
		Connections Material :	Copper
		Distributor Connection Size :	7/8"
		Suction Connection Size :	1 5/8"
		Hot Gas Connection Size :	N/A

Heater(s) Data

Heater Quantity In Coil :	9	Heater FLA :	11.81 A
Heater Quantity In Drain Pan :	3	Heater Total Power (Kw) :	9.82 Kw

System Electrical Summary Data

Unit Voltage :	480/3/60	Fan Motor & Ctrl MCA :	3.09 A
Heater MCA :	14.76 A	Fan Motor & Ctrl MOP :	15 A
Heater MOP :	15 A		
Control Voltage :	240/1/60 V		



1 1/4 FPT REMOVABLE DRAIN FITTING

K	10-01-23	MN	MISE À JOUR
J	22-05-19	OBH	MISE À JOUR DU CARTOUCHE
I	08-03-19	OBH	CHANGEMENT DRAIN PAN
H	12-06-17	S.V.	TRANSITION AUTOCAD-SOLIDEDGE
G	18-04-16	MC.	ENLEVER LE MODÈLE EMIGHI
F	06-02-07	MC.	DRAIN 1 1/4 FPT ÉTAIT 7/8 ID.
E	23-03-04	MC.	DESSOUS EN PENTE. ÉLARGIR LE BAC.
D	01-10-02	MC.	BAC D'ÉGOUT. EN PENTE

Rev.	Date	Par/By	Description
------	------	--------	-------------



2777, Grande-Allée
St-Hubert, Québec
CANADA, J4T 2R4
Tel: (450) 641-2665
Fax: (450) 923-5210
www.refplus.com

Copyright © 2012 Refplus inc. Tous droits réservés. Toute reproduction de ces dessins sans l'autorisation écrite de Refplus inc. est strictement interdite. Refplus inc., ses filiales et représentants ne peuvent en aucun cas être tenus responsables pour tout dommage découlant de toute erreur ou omission dans les dessins, ou tout dommage relié aux dessins ou à l'utilisation de ceux-ci par votre compagnie, ses filiales ou ses représentants.

Copyright © 2012 Refplus inc. All rights reserved. Any reproduction, in whole or in part, of these drawings is strictly prohibited without the written consent of Refplus inc. Refplus inc., its affiliates and representatives expressly disclaim any and all liability based on or relating to these drawings, or errors or omissions in same, or based on the use of these drawings by you, your affiliates or representatives.

Note:

À moins d'avis contraire, les dimensions sont en pouces / Unless otherwise specified, dimensions are in inches.

Tolérances / Tolerances

Frac: ±1/8 Dec: --- Ang: ± 2°

Non à l'échelle / Not to scale

Modèle / Model :

EMIAE, 3 VENT.

Par / By : Samuel Vendetti

Date : 01 SEPT. 1998

Numéro Dessin / Drawing Number

EMI0003

Rev.

K



RefPlus Inc.
 2777, Grande-Allée
 St-Hubert, (QC), J4T 2R4
 Tél : (450) 641-2665
 Fax : (450) 641-4554

Quote #	Item #
160635-A	3

To :

FES Ohio
 Attn : Joe Rubino
 1725 Washington Road- Suite 302
 Pittsburgh, PA USA
 15241

Informations :

Project Name : Warabeya Ohio Commissary - All Bidding Contractors
Created : 04/19/2024
Created By : Joe Rubino
Last Change : 04/19/2024
Last Change By : Joe Rubino
Tel. : 412 595-8571 Ext. :
Cell : 412-580-5825
Fax :
E-mail :

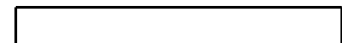
jrubino@fesohio.com

ITEM #	TAG	DESCRIPTION	QTY	UNIT PRICE	TOTAL PRICE
3	8 port	KE2 Switch	3		

OPTION (SHIP LOOSE)

KE2 Switch - 8 ports (20166) 3
 REM-5187 3

This quote is valid for 30 days. Prices are net. All applicable taxes extra.
 F.O.B plant in St-Hubert, Québec , Canada





RefPlus Inc.
 2777, Grande-Allée
 St-Hubert, (QC), J4T 2R4
 Tél : (450) 641-2665
 Fax : (450) 641-4554

Quote #	Item #
160635-A	4

To :

FES Ohio
 Attn : Joe Rubino
 1725 Washington Road- Suite 302
 Pittsburgh, PA USA
 15241

Informations :

Project Name : Warabeya Ohio Commissary - All Bidding Contractors
 Created : 04/19/2024
 Created By : Joe Rubino
 Last Change : 04/19/2024
 Last Change By : Joe Rubino
 Tel. : 412 595-8571 Ext. :
 Cell : 412-580-5825
 Fax :
 E-mail :

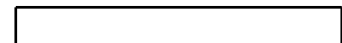
jrubino@fesohio.com

ITEM #	TAG	DESCRIPTION	QTY	UNIT PRICE	TOTAL PRICE
4	16 ports	KE2 Switch	6		

OPTION (SHIP LOOSE)

KE2 Switch - 16 ports (21011) 6
 REM-5318 6

This quote is valid for 30 days. Prices are net. All applicable taxes extra.
 F.O.B plant in St-Hubert, Québec , Canada





RefPlus Inc.
 2777, Grande-Allée
 St-Hubert, (QC), J4T 2R4
 Tél : (450) 641-2665
 Fax : (450) 641-4554

Quote #	Item #
160635-A	5

To :

FES Ohio
 Attn : Joe Rubino
 1725 Washington Road- Suite 302
 Pittsburgh, PA USA
 15241

Informations :

Project Name : Warabeya Ohio Commissary - All Bidding Contractors
Created : 04/19/2024
Created By : Joe Rubino
Last Change : 04/19/2024
Last Change By : Joe Rubino
Tel. : 412 595-8571 Ext. :
Cell : 412-580-5825
Fax :
E-mail :

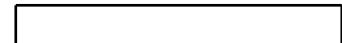
jrubino@fesohio.com

ITEM #	TAG	DESCRIPTION	QTY	UNIT PRICE	TOTAL PRICE
5		KE2 EM PLUS	3		

OPTION (SHIP LOOSE)

KE2 Bracket - Ceiling mounting bracket (21924)	3
REM-5387	3
KE2 EM PLUS - With BACnet (21920)	3
REM-5373	3

This quote is valid for 30 days. Prices are net. All applicable taxes extra.
 F.O.B plant in St-Hubert, Québec , Canada





RefPlus Inc.
 2777, Grande-Allée
 St-Hubert, (QC), J4T 2R4
 Tél : (450) 641-2665
 Fax : (450) 641-4554

Quote #	Item #
160635-A	6

To :

FES Ohio
 Attn : Joe Rubino
 1725 Washington Road- Suite 302
 Pittsburgh, PA USA
 15241

Informations :

Project Name : Warabeya Ohio Commissary - All Bidding Contractors
Created : 04/19/2024
Created By : Joe Rubino
Last Change : 04/19/2024
Last Change By : Joe Rubino
Tel. : 412 595-8571 Ext. :
Cell : 412-580-5825
Fax :
E-mail :

jrubino@fesohio.com

ITEM #	TAG	DESCRIPTION	QTY	UNIT PRICE	TOTAL PRICE
6	Room # 127	LSA-0451-1W	1		

Total Capacity 18.63 mbh
 Sensible Capacity 9.81 mbh
 Main Voltage 120/1/60
 Cooling Mode
 FPI 6 (Standard)

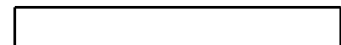
OPTIONS

Motor(s) - ECM 2 Speeds 1
 Circuits - Custom 1
 Defrost type - Air defrost 1
 Drain pan insulation - Standard 1
 Casing finish - Standard 1

ADDITIONAL ITEMS

Controller for EEV/TXV - Refplus Guardian+ factory installed 1

This quote is valid for 30 days. Prices are net. All applicable taxes extra.
 F.O.B plant in St-Hubert, Québec , Canada





RefPlus Inc.
 2777, Grande-Allée
 St-Hubert, (QC), J4T 2R4
 Tél : (450) 641-2665
 Fax : (450) 641-4554

Quote #	Item #
160635-A	6

LSA-0451-1W

Tag : Room # 127

General Informations

Heat Exchange Mode :	Cooling Mode	Row :	2
Model Status :	Standard Catalog	Fins Per Inch :	6
Entering Dry Bulb :	65.0 °F	Internal Volume :	0.06 Ft ³
Entering Wet Bulb :	60.0 °F	Fluid Volume :	0.48 gal
Entering Liquid Temp :	26.0 °F	Unit Estimated Weight :	26.00 lbs
Leaving Liquid Temp :	33.3 °F	Options Added Weight :	0.00 lbs
Max Pressure Drop :	8 PSI	Total Estimated Weight :	26.00 lbs
Altitude :	0 Ft	Fluid Type :	Propylene Glycol (built in)
Unit Type :	Low silhouette walk-in	Concentration :	30.00 %
Defrost Type :	Air defrost		

Fan(s) Data

Fan Motor Type :	ECM	Fan Arrangement :	1 X 1
Fan Motor HP :	50.00 W	Fan Motor Total FLA :	1.00 A
Fan Motor RPM :	1500 RPM		
Fan Motor FLA :	1.03 A		

Coil(s) Data

Fins Per Inch :	6 (Standard)	FPI	Fin Material :	Aluminium
Coil Quantity :	1		Fin Pattern :	E
Connection(s) Quantity :	1		Connection Size In :	0.75" ø MPT
Circuit Quantity :	2		Connection Size Out :	0.75" ø MPT

Heater(s) Data

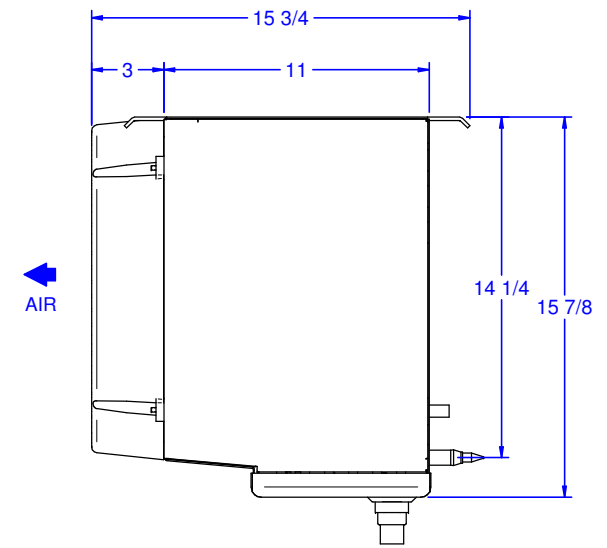
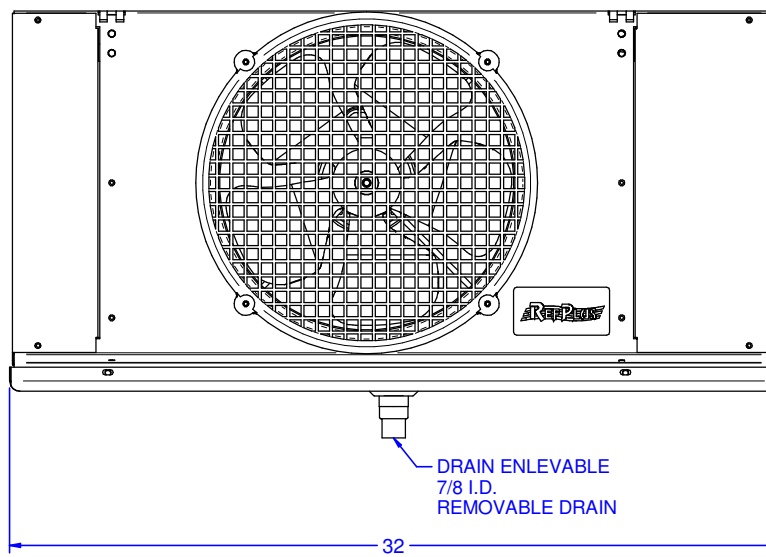
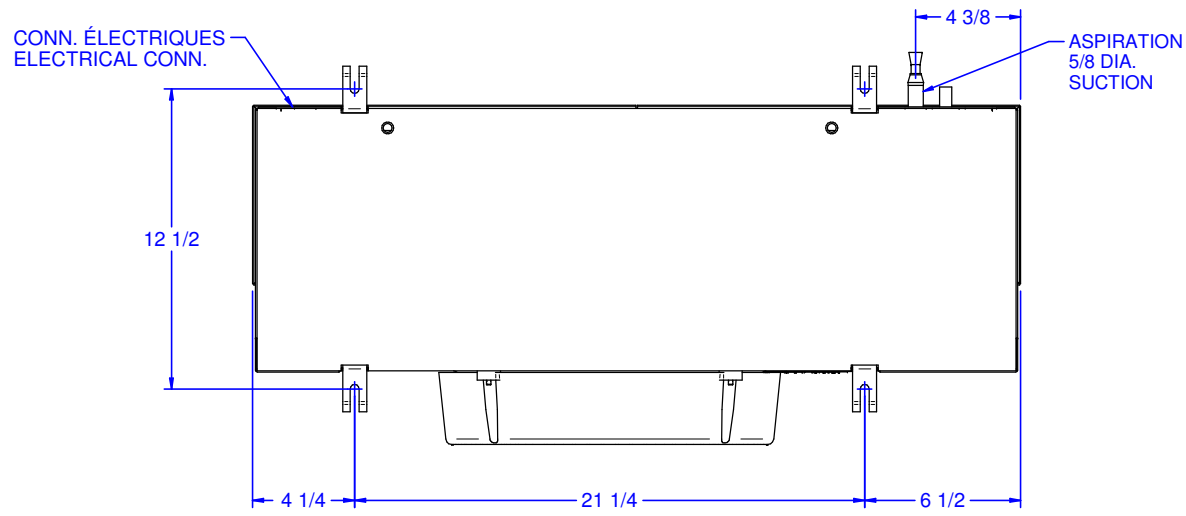
Heater Quantity In Coil :	0	Heater FLA :	0.00 A
Heater Quantity In Drain Pan :	0	Heater Total Power (Kw) :	0.00 Kw

Outputs

AIR SIDE		LIQUID SIDE	
Total Heat :	18.630 mbh	Leaving Liquid Temp :	33.3 °F
Sensible Heat :	9.811 mbh	GPM :	5.3
Latent Heat :	8.819 mbh	Liquid Velocity :	4.4 ft/sec
Leaving Dry Bulb :	56.6 °F	Liquid Pressure Drop :	7.68 PSI 17.72 Ft(H ₂ O)
Leaving Wet Bulb :	54.0 °F	Coil Face Area :	2.08 Sq. Ft

Electrical Summary Data

Unit Voltage :	120/1/60	V	Fan Motor & Ctrl MCA :	1.25 A
Heater MCA :	0.00	A	Fan Motor & Ctrl MOP :	15.00 A
Heater MOP :	0	A		
Control Voltage :	120/1/60	V		



Rev.	Date	Par/By	Description
A	22/05/19	O.BH	MISE A JOUR CARTOUCHE



2777, Grande-Allée
St-Hubert, Québec
CANADA, J4T 2R4
Tel: (450) 641-2665
Fax: (450) 923-5210
www.refplus.com

Copyright © 2012 Refplus inc. Tous droits réservés. Toute reproduction de ces dessins sans l'autorisation écrite de Refplus inc. est strictement interdite. Refplus inc., ses filiales et représentants ne peuvent en aucun cas être tenus responsables pour tout dommage découlant de toute erreur ou omission dans les dessins, ou tout dommage relié aux dessins ou à l'utilisation de ceux-ci par votre compagnie, ses filiales ou ses représentants.

Copyright © 2012 Refplus inc. All rights reserved. Any reproduction, in whole or in part, of these drawings is strictly prohibited without the written consent of Refplus inc. Refplus inc., its affiliates and representatives expressly disclaim any and all liability based on or relating to these drawings, or errors or omissions in same, or based on the use of these drawings by you, your affiliates or representatives.

Note:

À moins d'avis contraire, les dimensions sont en pouces / Unless otherwise specified, dimensions are in inches.

Tolérances / Tolerances
Frac: ±1/8 Dec: --- Ang: ± 2°
Non à l'échelle / Not to scale

Modèle / Model : LSA 0451, 0551, 0651, LSE IRTI 0431, 0521, 0621		
Par / By : M.C.	Date : 27 mai 2008	
Numéro Dessin / Drawing Number LS100-01		Rev. A



RefPlus Inc.
 2777, Grande-Allée
 St-Hubert, (QC), J4T 2R4
 Tél : (450) 641-2665
 Fax : (450) 641-4554

Quote #	Item #
160635-A	7

To :

FES Ohio
 Attn : Joe Rubino
 1725 Washington Road- Suite 302
 Pittsburgh, PA USA
 15241

Informations :

Project Name : Warabeya Ohio Commissary - All Bidding Contractors
Created : 04/19/2024
Created By : Joe Rubino
Last Change : 04/19/2024
Last Change By : Joe Rubino
Tel. : 412 595-8571 Ext. :
Cell : 412-580-5825
Fax :
E-mail :

jrubino@fesohio.com

ITEM #	TAG	DESCRIPTION	QTY	UNIT PRICE	TOTAL PRICE
7	Room # 129	EQA-04500L-9W	3		

Total Capacity 124.30 mbh
 Sensible Capacity 68.76 mbh
 Main Voltage 480/3/60
 Cooling Mode
 FPI 4

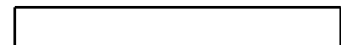
OPTIONS

Circuits - Custom 3
 Defrost type - Air defrost 3
 Motors speed - Standard low speed 3
 Air Throw - Standard 3
 Casing finish - Standard 3

ADDITIONAL ITEMS

Controller for EEV/TXV - Refplus Guardian+ factory installed 3

This quote is valid for 30 days. Prices are net. All applicable taxes extra.
 F.O.B plant in St-Hubert, Québec , Canada





RefPlus Inc.
 2777, Grande-Allée
 St-Hubert, (QC), J4T 2R4
 Tél : (450) 641-2665
 Fax : (450) 641-4554

Quote #	Item #
160635-A	7

EQA-04500L-9W

Tag : Room # 129

General Informations

Heat Exchange Mode :	Cooling Mode	Row :	3
Model Status :	Standard Catalog	Fins Per Inch :	4
Entering Dry Bulb :	65.0 °F	Internal Volume :	0.54 Ft ³
Entering Wet Bulb :	60.0 °F	Fluid Volume :	4.05 gal
Entering Liquid Temp :	26.0 °F	Unit Estimated Weight :	670.00 lbs
USGPM :	46.00	Options Added Weight :	0.00 lbs
Max Pressure Drop :	10 PSI	Total Estimated Weight :	670.00 lbs
Altitude :	0 Ft	Fluid Type :	Propylene Glycol (built in)
Unit Type :	Large industrial walk-in with Ziehl	Concentration :	30.00 %
	Abegg		
Defrost Type :	Air defrost		

Fan(s) Data

Fan Motor Type :	Two Speeds	Fan Arrangement :	1 X 1
Fan Motor HP :	0.50 HP	Fan Motor Total FLA :	1.10 A
Fan Motor RPM :	510 RPM		
Fan Motor FLA :	1.10 A		
Motor Speed For Selection :	Low Speed		

Coil(s) Data

Fins Per Inch :	4 FPI	Fin Material :	Aluminium
Coil Quantity :	1	Fin Pattern :	F
Connection(s) Quantity :	1	Connection Size In :	2" ø MPT
Circuit Quantity :	30	Connection Size Out :	2" ø MPT

Heater(s) Data

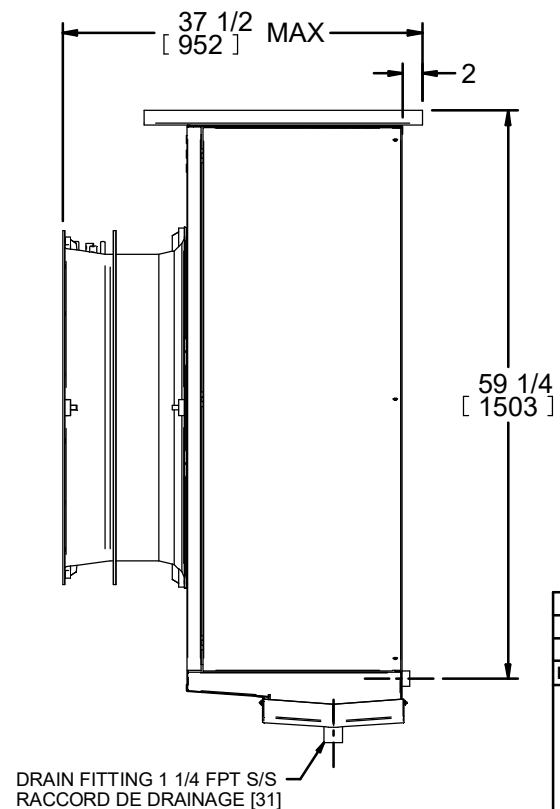
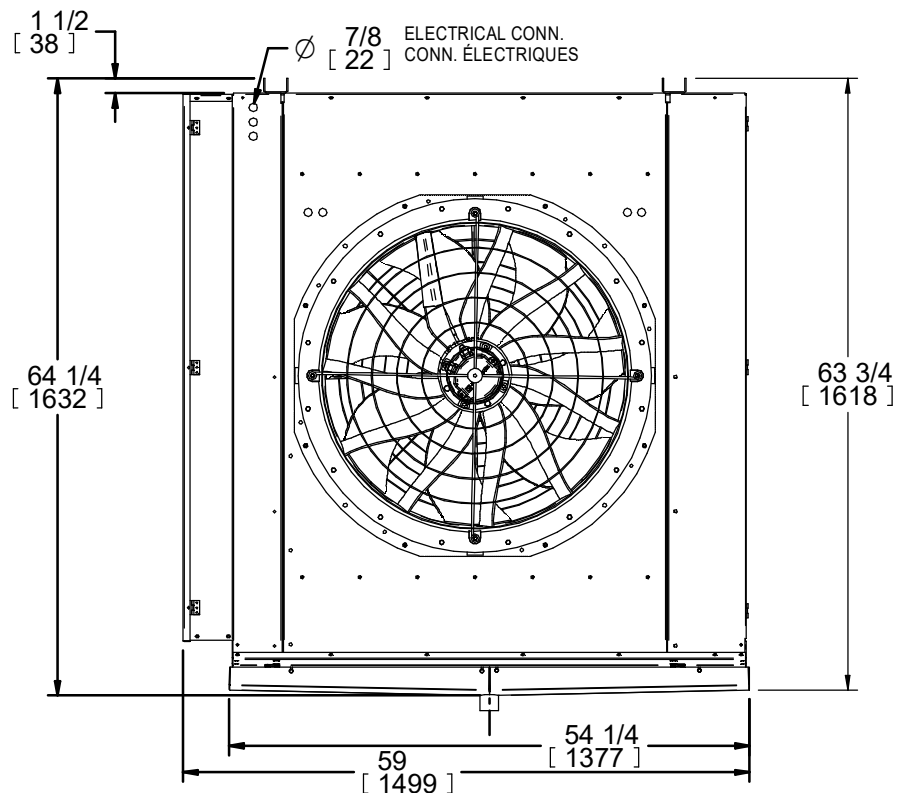
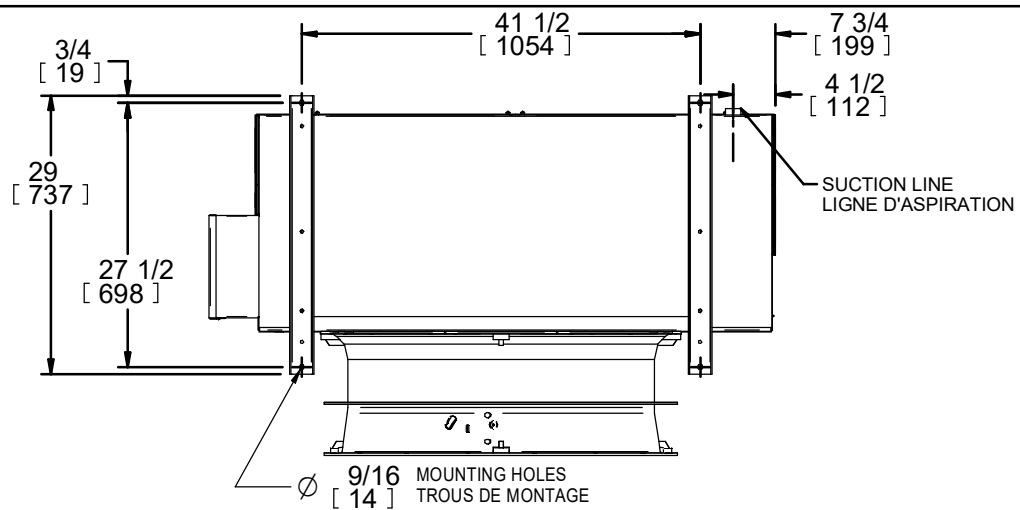
Heater Quantity In Coil :	0	Heater FLA :	0.00 A
Heater Quantity In Drain Pan :	0	Heater Total Power (Kw) :	0.00 Kw

Outputs

AIR SIDE		LIQUID SIDE	
Total Heat :	124.302 mbh	Leaving Liquid Temp :	31.6 °F
Sensible Heat :	68.757 mbh	GPM :	46.0
Latent Heat :	55.545 mbh	Liquid Velocity :	2.6 ft/sec
Leaving Dry Bulb :	55.8 °F	Liquid Pressure Drop :	2.84 PSI 6.55 Ft(H ₂ O)
Leaving Wet Bulb :	53.8 °F	Coil Face Area :	16.67 Sq. Ft

Electrical Summary Data

Unit Voltage :	480/3/60	V	Fan Motor & Ctrl MCA :	1.38	A
Heater MCA :	0.00	A	Fan Motor & Ctrl MOP :	15.00	A
Heater MOP :	0	A			
Control Voltage :	120/1/60	V			



C	03/31/2023	MN	MISE À JOUR
B	08/01/2020	OBH	AGRANDIR LA BOÎTE ÉLECTRIQUE
A	12/12/2019	OBH	TRANSITION VERS SOLIDEDGE
Rev.	Date	Par/By	Description



2777, Grande-Allée
St-Hubert, Québec
CANADA, J4T 2R4
Tel: (450) 641-2665
Fax: (450) 923-5210
www.refplus.com

Copyright © 2012 Refplus inc. Tous droits réservés. Toute reproduction de ces dessins sans l'autorisation écrite de Refplus inc. est strictement interdite. Refplus inc., ses filiales et représentants ne peuvent en aucun cas être tenus responsables pour tout dommage découlant de toute erreur ou omission dans les dessins, ou tout dommage relié aux dessins ou à l'utilisation de ceux-ci par votre compagnie, ses filiales ou ses représentants.

Copyright © 2012 Refplus inc. All rights reserved. Any reproduction, in whole or in part, of these drawings is strictly prohibited without the written consent of Refplus inc. Refplus inc., its affiliates and representatives expressly disclaim any and all liability based on or relating to these drawings, or errors or omissions in same, or based on the use of these drawings by you, your affiliates or representatives.

Note:

À moins d'avis contraire, les dimensions sont en pouces / Unless otherwise specified, dimensions are in inches.
Tolérances / Tolerances
Frac: ±1/8 Dec: ---- Ang: ± 2°
Non à l'échelle / Not to scale

Modèle / Model : IND. WALK-IN COOLER	
EQ I A, E, G, HI - EX IA, E, G, HI I FAN	
Par / By : MC	Date : 02-05-2016
Numéro Dessin / Drawing Number EQ10001	Rev. C



RefPlus Inc.
 2777, Grande-Allée
 St-Hubert, (QC), J4T 2R4
 Tél : (450) 641-2665
 Fax : (450) 641-4554

Quote #	Item #
160635-A	8

To :

FES Ohio
 Attn : Joe Rubino
 1725 Washington Road- Suite 302
 Pittsburgh, PA USA
 15241

Informations :

Project Name : Warabeya Ohio Commissary - All Bidding Contractors
Created : 04/19/2024
Created By : Joe Rubino
Last Change : 04/19/2024
Last Change By : Joe Rubino
Tel. : 412 595-8571 Ext. :
Cell : 412-580-5825
Fax :
E-mail :

jrubino@fesohio.com

ITEM #	TAG	DESCRIPTION	QTY	UNIT PRICE	TOTAL PRICE
8	Room # 131	LSA-1081-1W	1		

Total Capacity 53.81 mbh
 Sensible Capacity 27.69 mbh
 Main Voltage 120/1/60
 Cooling Mode
 FPI 6 (Standard)

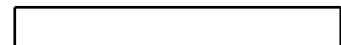
OPTIONS

Motor(s) - ECM 2 Speeds 1
 Circuits - Custom 1
 Defrost type - Air defrost 1
 Drain pan insulation - Standard 1
 Casing finish - Standard 1

ADDITIONAL ITEMS

Controller for EEV/TXV - Refplus Guardian+ factory installed 1

This quote is valid for 30 days. Prices are net. All applicable taxes extra.
 F.O.B plant in St-Hubert, Québec , Canada





RefPlus Inc.
 2777, Grande-Allée
 St-Hubert, (QC), J4T 2R4
 Tél : (450) 641-2665
 Fax : (450) 641-4554

Quote #	Item #
160635-A	8

LSA-1081-1W

Tag : Room # 131

General Informations

Heat Exchange Mode :	Cooling Mode	Row :	3
Model Status :	Standard Catalog	Fins Per Inch :	6
Entering Dry Bulb :	72.0 °F	Internal Volume :	0.14 Ft ³
Entering Wet Bulb :	65.0 °F	Fluid Volume :	1.08 gal
Entering Liquid Temp :	26.0 °F	Unit Estimated Weight :	42.00 lbs
USGPM :	11.00	Options Added Weight :	0.00 lbs
Max Pressure Drop :	20 PSI	Total Estimated Weight :	42.00 lbs
Altitude :	0 Ft	Fluid Type :	Propylene Glycol (built in)
Unit Type :	Low silhouette walk-in	Concentration :	30.00 %
Defrost Type :	Air defrost		

Fan(s) Data

Fan Motor Type :	ECM	Fan Arrangement :	1 X 2
Fan Motor HP :	50.00 W	Fan Motor Total FLA :	2.00 A
Fan Motor RPM :	1500 RPM		
Fan Motor FLA :	1.03 A		

Coil(s) Data

Fins Per Inch :	6 (Standard)	FPI	Fin Material :	Aluminium
Coil Quantity :	1		Fin Pattern :	E
Connection(s) Quantity :	1		Connection Size In :	1" ø MPT
Circuit Quantity :	3		Connection Size Out :	1" ø MPT

Heater(s) Data

Heater Quantity In Coil :	0	Heater FLA :	0.00 A
Heater Quantity In Drain Pan :	0	Heater Total Power (Kw) :	0.00 Kw

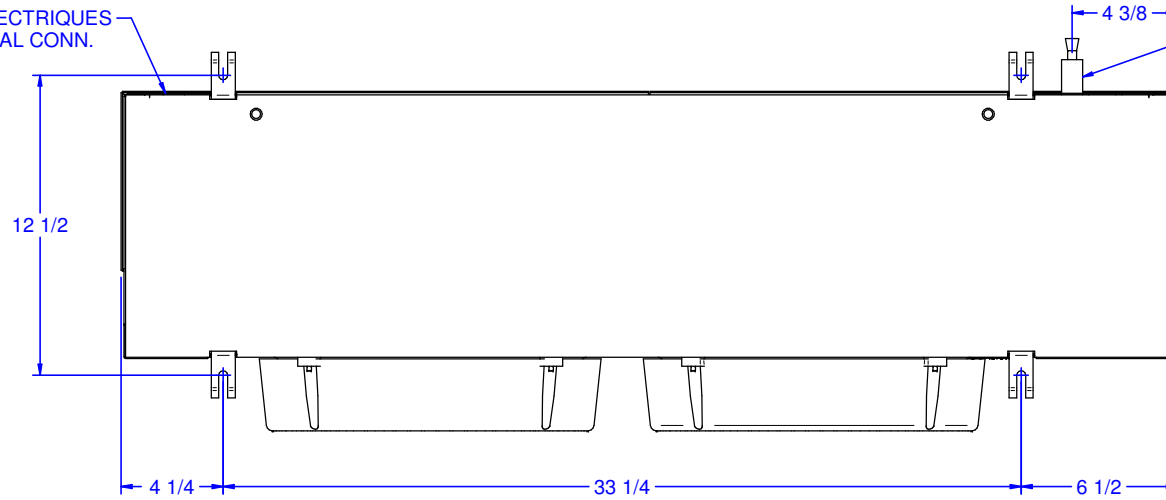
Outputs

AIR SIDE		LIQUID SIDE	
Total Heat :	53.805 mbh	Leaving Liquid Temp :	36.2 °F
Sensible Heat :	27.692 mbh	GPM :	11.0
Latent Heat :	26.113 mbh	Liquid Velocity :	6.1 ft/sec
Leaving Dry Bulb :	56.9 °F	Liquid Pressure Drop :	19.41 PSI 44.77 Ft(H ₂ O)
Leaving Wet Bulb :	54.7 °F	Coil Face Area :	3.33 Sq. Ft

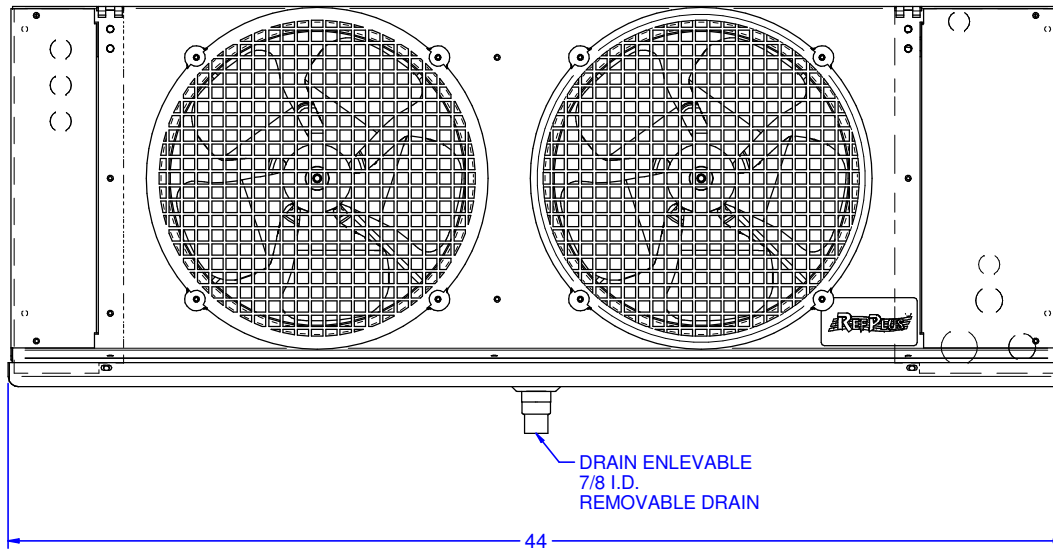
Electrical Summary Data

Unit Voltage :	120/1/60	V	Fan Motor & Ctrl MCA :	2.25 A
Heater MCA :	0.00	A	Fan Motor & Ctrl MOP :	15.00 A
Heater MOP :	0	A		
Control Voltage :	120/1/60	V		

CONN. ÉLECTRIQUES
ELECTRICAL CONN.

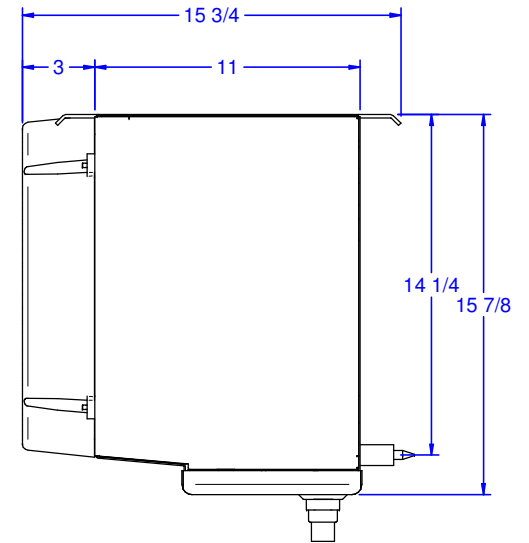


ASPIRATION
7/8 DIA.
SUCTION



DRAIN ENLEVABLE
7/8 I.D.
REMOVABLE DRAIN

AIR



Copyright © 2012 Refplus inc. Tous droits réservés. Toute reproduction de ces dessins sans l'autorisation écrite de Refplus inc. est strictement interdite. Refplus inc., ses filiales et représentants ne peuvent en aucun cas être tenus responsables pour tout dommage découlant de toute erreur ou omission dans les dessins, ou tout dommage relié aux dessins ou à l'utilisation de ceux-ci par votre compagnie, ses filiales ou ses représentants.

Copyright © 2012 Refplus inc. All rights reserved. Any reproduction, in whole or in part, of these drawings is strictly prohibited without the written consent of Refplus inc. Refplus inc., its affiliates and representatives expressly disclaim any and all liability based on or relating to these drawings, or errors or omissions in same, or based on the use of these drawings by you, your affiliates or representatives.

Note:

À moins d'avis contraire, les dimensions sont en pouces / Unless otherwise specified, dimensions are in inches.

Tolérances / Tolerances

Frac: ±1/8 Dec: --- Ang: ± 2°

Non à l'échelle / Not to scale

Rev.	Date	Par/By	Description
A	22/05/19	O.BH	MISE A JOUR CARTOUCHE



2777, Grande-Allée
St-Hubert, Québec
CANADA, J4T 2R4
Tel: (450) 641-2665
Fax: (450) 923-5210
www.refplus.com

Modèle / Model :		LSA 092I, 108I LSE (R,T) 088I, 103I	
Par / By :	M.C.	Date :	27 mai 2008
Numéro Dessin / Drawing Number		Rev.	
LSI00-05		A	



RefPlus Inc.
 2777, Grande-Allée
 St-Hubert, (QC), J4T 2R4
 Tél : (450) 641-2665
 Fax : (450) 641-4554

Quote #	Item #
160635-A	9

To :

FES Ohio
 Attn : Joe Rubino
 1725 Washington Road- Suite 302
 Pittsburgh, PA USA
 15241

Informations :

Project Name : Warabeya Ohio Commissary - All Bidding Contractors
Created : 04/19/2024
Created By : Joe Rubino
Last Change : 04/19/2024
Last Change By : Joe Rubino
Tel. : 412 595-8571 Ext. :
Cell : 412-580-5825
Fax :
E-mail :

jrubino@fesohio.com

ITEM #	TAG	DESCRIPTION	QTY	UNIT PRICE	TOTAL PRICE
9	Room # 132, 134	EJA-02500L-9W	4		

Total Capacity 141.06 mbh
 Sensible Capacity 74.14 mbh
 Main Voltage 480/3/60
 Cooling Mode
 FPI 6 (Standard)

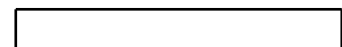
OPTIONS

Circuits - Custom 4
 Defrost type - Air defrost 4
 Motors speed - Standard low speed 4
 Air Throw - Standard 4
 Casing finish - Standard 4

ADDITIONAL ITEMS

Controller for EEV/TXV - Refplus Guardian+ factory installed 4

This quote is valid for 30 days. Prices are net. All applicable taxes extra.
 F.O.B plant in St-Hubert, Québec , Canada





RefPlus Inc.
 2777, Grande-Allée
 St-Hubert, (QC), J4T 2R4
 Tél : (450) 641-2665
 Fax : (450) 641-4554

Quote #	Item #
160635-A	9

EJA-02500L-9W

Tag : Room # 132, 134

General Informations

Heat Exchange Mode :	Cooling Mode	Row :	3
Model Status :	Standard Catalog	Fins Per Inch :	6
Entering Dry Bulb :	72.0 °F	Internal Volume :	0.27 Ft ³
Entering Wet Bulb :	65.0 °F	Fluid Volume :	2.02 gal
Entering Liquid Temp :	26.0 °F	Unit Estimated Weight :	370.00 lbs
USGPM :	61.00	Options Added Weight :	0.00 lbs
Max Pressure Drop :	20 PSI	Total Estimated Weight :	370.00 lbs
Altitude :	0 Ft	Fluid Type :	Propylene Glycol (built in)
Unit Type :	Medium industrial walk-in with Ziehl	Concentration :	30.00 %
	Abegg		
Defrost Type :	Air defrost		

Fan(s) Data

Fan Motor Type :	Two Speeds	Fan Arrangement :	1 X 1
Fan Motor HP :	0.37 HP	Fan Motor Total FLA :	1.00 A
Fan Motor RPM :	1090 RPM		
Fan Motor FLA :	1.00 A		
Motor Speed For Selection :	Low Speed		

Coil(s) Data

Fins Per Inch :	6 (Standard)	FPI	Fin Material :	Aluminium
Coil Quantity :	1		Fin Pattern :	F
Connection(s) Quantity :	1		Connection Size In :	2" ø MPT
Circuit Quantity :	15		Connection Size Out :	2" ø MPT

Heater(s) Data

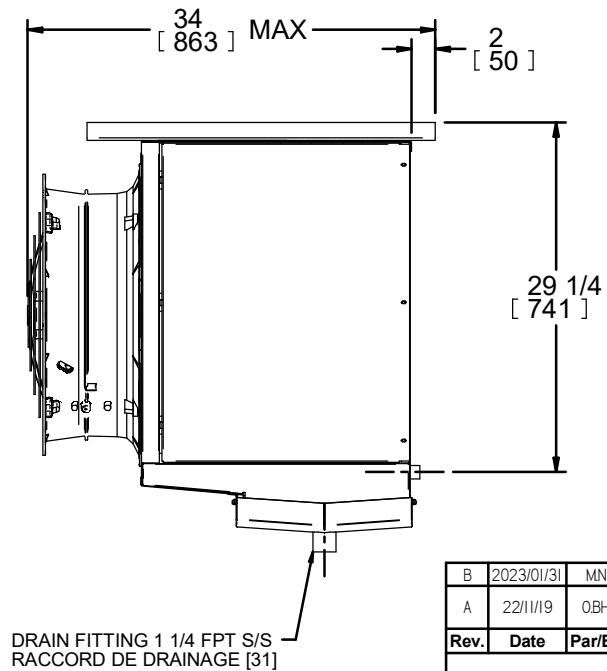
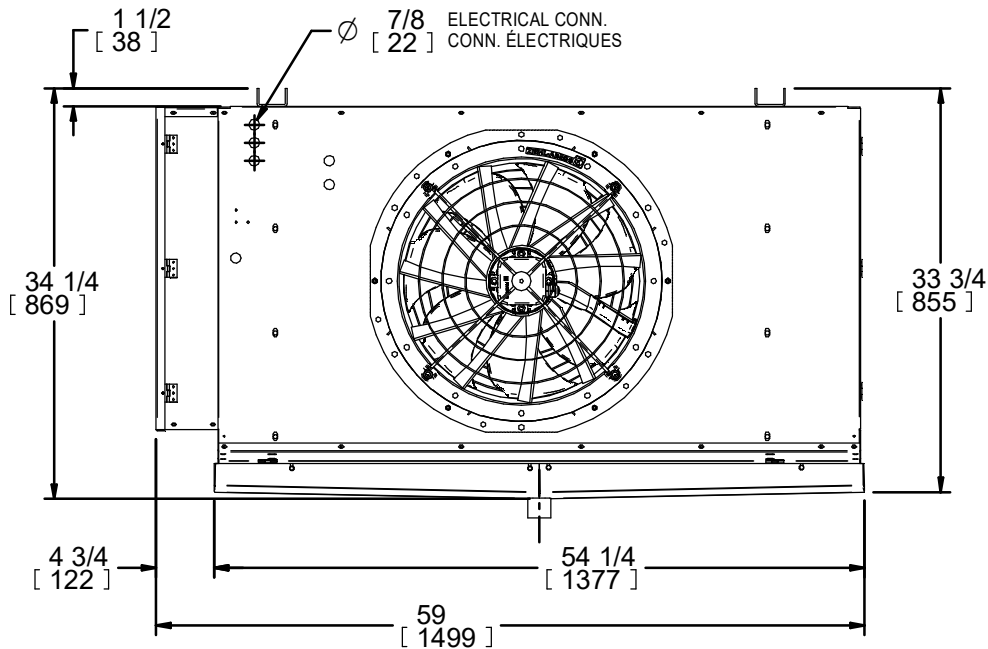
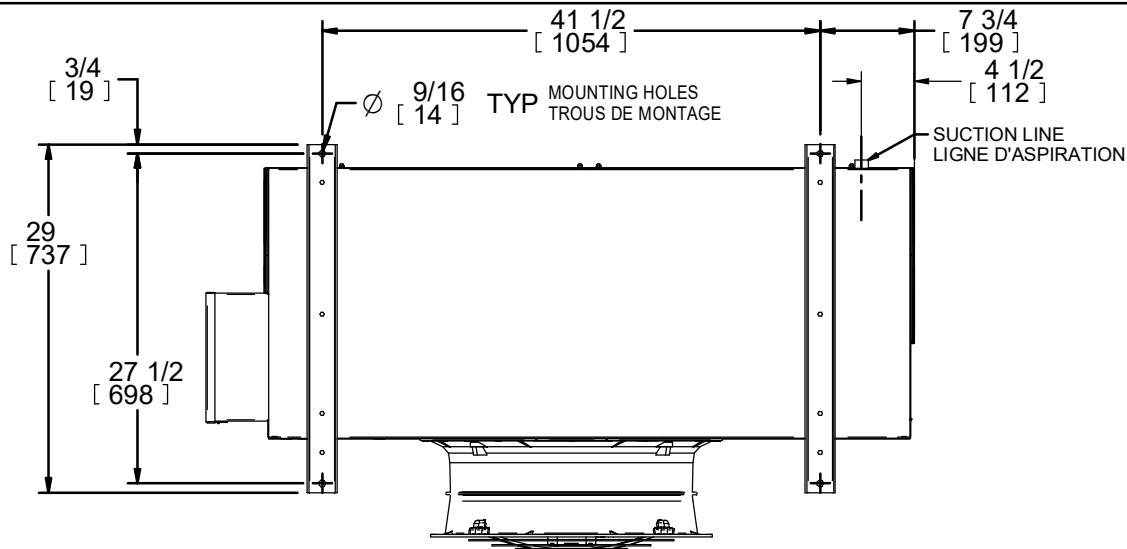
Heater Quantity In Coil :	0	Heater FLA :	0.00 A
Heater Quantity In Drain Pan :	0	Heater Total Power (Kw) :	0.00 Kw

Outputs

AIR SIDE		LIQUID SIDE	
Total Heat :	141.062 mbh	Leaving Liquid Temp :	30.8 °F
Sensible Heat :	74.135 mbh	GPM :	61.0
Latent Heat :	66.927 mbh	Liquid Velocity :	6.9 ft/sec
Leaving Dry Bulb :	55.9 °F	Liquid Pressure Drop :	10.68 PSI 24.64 Ft(H ₂ O)
Leaving Wet Bulb :	54.1 °F	Coil Face Area :	8.33 Sq. Ft

Electrical Summary Data

Unit Voltage :	480/3/60	V	Fan Motor & Ctrl MCA :	1.25 A
Heater MCA :	0.00	A	Fan Motor & Ctrl MOP :	15.00 A
Heater MOP :	0	A		
Control Voltage :	240/1/60	V		



B	2023/01/31	MN	MISE À JOUR
A	22/11/19	OBH	CHANGEMENT DRAIN PAN DOUBLE PENTE & TRANSITION VERS SOLIDEDGE
Rev.	Date	Par/By	Description



2777, Grande-Allée
 St-Hubert, Québec
 CANADA, J4T 2R4
 Tel: (450) 641-2665
 Fax: (450) 923-5210
 www.refplus.com

Copyright © 2012 Refplus inc. Tous droits réservés. Toute reproduction de ces dessins sans l'autorisation écrite de Refplus inc. est strictement interdite. Refplus inc., ses filiales et représentants ne peuvent en aucun cas être tenus responsables pour tout dommage découlant de toute erreur ou omission dans les dessins, ou tout dommage relié aux dessins ou à l'utilisation de ceux-ci par votre compagnie, ses filiales ou ses représentants.

Copyright © 2012 Refplus inc. All rights reserved. Any reproduction, in whole or in part, of these drawings is strictly prohibited without the written consent of Refplus inc. Refplus inc., its affiliates and representatives expressly disclaim any and all liability based on or relating to these drawings, or errors or omissions in same, or based on the use of these drawings by you, your affiliates or representatives.

Note:

À moins d'avis contraire, les dimensions sont en pouces / Unless otherwise specified, dimensions are in inches.

Tolérances / Tolerances
 Frac: ±1/8 Dec: --- Ang: ± 2°
 Non à l'échelle / Not to scale

Modèle / Model : IND. WALK-IN COOLER	
EJ IA, E, G, HI - ZIEHL ABEGG I FAN	
Par / By : MC	Date : 13/04/2016
Numéro Dessin / Drawing Number	Rev. B



RefPlus Inc.
 2777, Grande-Allée
 St-Hubert, (QC), J4T 2R4
 Tél : (450) 641-2665
 Fax : (450) 641-4554

Quote #	Item #
160635-A	10

To :

FES Ohio
 Attn : Joe Rubino
 1725 Washington Road- Suite 302
 Pittsburgh, PA USA
 15241

Informations :

Project Name : Warabeya Ohio Commissary - All Bidding Contractors
Created : 04/19/2024
Created By : Joe Rubino
Last Change : 04/19/2024
Last Change By : Joe Rubino
Tel. : 412 595-8571 Ext. :
Cell : 412-580-5825
Fax :
E-mail :

jrubino@fesohio.com

ITEM #	TAG	DESCRIPTION	QTY	UNIT PRICE	TOTAL PRICE
10	Room # 136	EQA-43300-9W	3		

Total Capacity 143.49 mbh
 Sensible Capacity 136.31 mbh
 Main Voltage 480/3/60
 Cooling Mode
 FPI 4

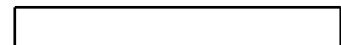
OPTIONS

Circuits - Custom 3
 Defrost type - Air defrost 3
 Motors speed - Standard high speed 3
 Air Throw - Standard 3
 Casing finish - Standard 3

ADDITIONAL ITEMS

Controller for EEV/TXV - Refplus Guardian+ factory installed 3

This quote is valid for 30 days. Prices are net. All applicable taxes extra.
 F.O.B plant in St-Hubert, Québec , Canada





RefPlus Inc.
 2777, Grande-Allée
 St-Hubert, (QC), J4T 2R4
 Tél : (450) 641-2665
 Fax : (450) 641-4554

Quote #	Item #
160635-A	10

EQA-43300-9W

Tag : Room # 136

General Informations

Heat Exchange Mode :	Cooling Mode	Row :	8	
Model Status :	Standard Catalog	Fins Per Inch :	4	
Entering Dry Bulb :	36.0 °F	Internal Volume :	6.58	Ft³
Entering Wet Bulb :	34.0 °F	Fluid Volume :	49.26	gal
Entering Liquid Temp :	26.0 °F	Unit Estimated Weight :	2,750.00	lbs
USGPM :	48.00	Options Added Weight :	0.00	lbs
Max Pressure Drop :	20 PSI	Total Estimated Weight :	2,750.00	lbs
Altitude :	0 Ft	Fluid Type :	Propylene Glycol (built in)	
Unit Type :	Large industrial walk-in with Ziehl	Concentration :	30.00	%
	Abegg			
Defrost Type :	Air defrost			

Fan(s) Data

Fan Motor Type :	Two Speeds	Fan Arrangement :	1 X 5	
Fan Motor HP :	1.25 HP	Fan Motor Total FLA :	12.50	A
Fan Motor RPM :	730 RPM			
Fan Motor FLA :	2.50 A			
Motor Speed For Selection :	High Speed			

Coil(s) Data

Fins Per Inch :	4 FPI	Fin Material :	Aluminium	
Coil Quantity :	1	Fin Pattern :	F	
Connection(s) Quantity :	2	Connection Size In :	2" ø MPT	
Circuit Quantity :	40	Connection Size Out :	2" ø MPT	

Heater(s) Data

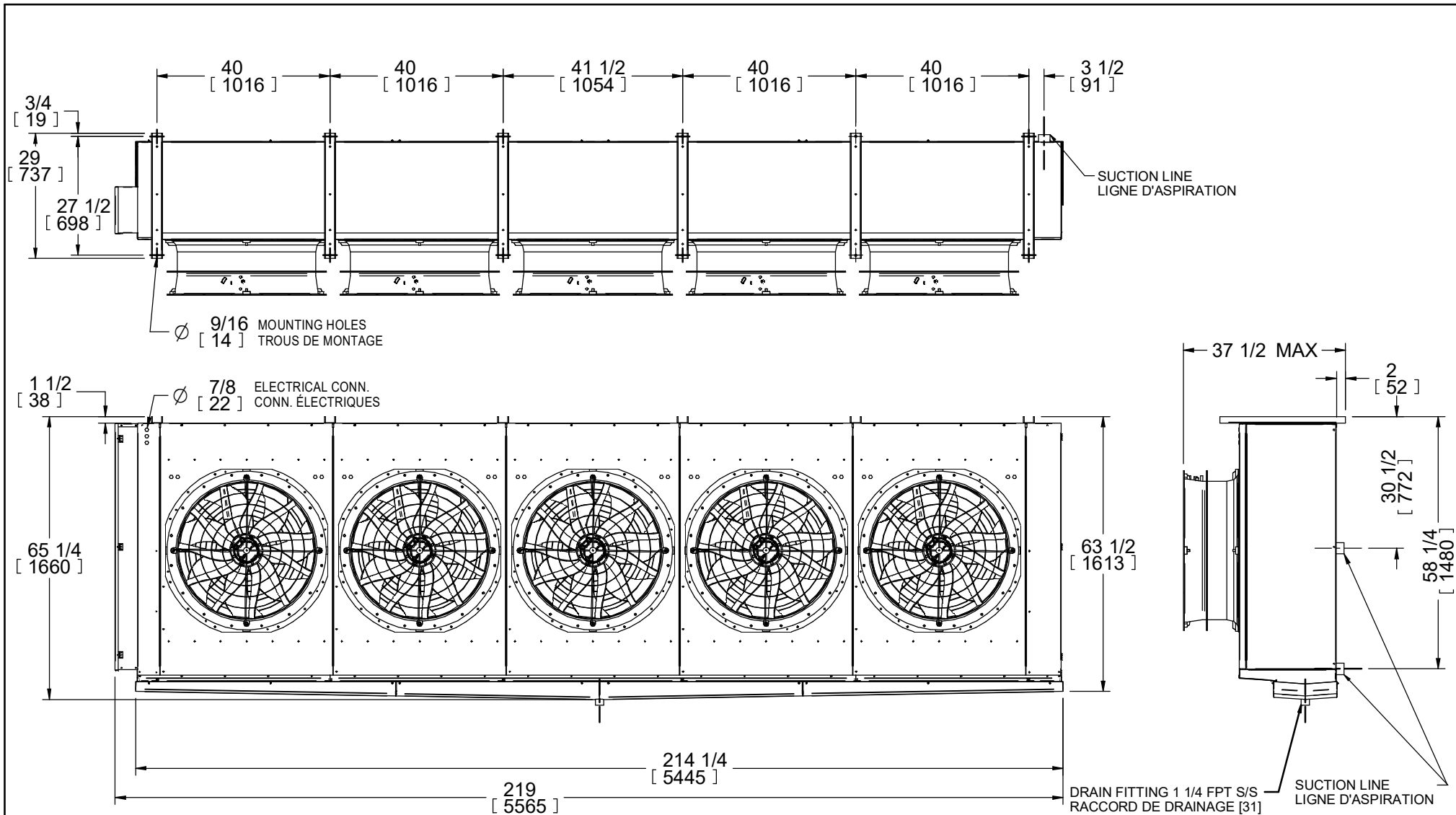
Heater Quantity In Coil :	0	Heater FLA :	0.00	A
Heater Quantity In Drain Pan :	0	Heater Total Power (Kw) :	0.00	Kw

Outputs

AIR SIDE			LIQUID SIDE		
Total Heat :	143.487	mbh	Leaving Liquid Temp :	32.3	°F
Sensible Heat :	136.313	mbh	GPM :	48.0	
Latent Heat :	7.174	mbh	Liquid Velocity :	2.0	ft/sec
Leaving Dry Bulb :	33.0	°F	Liquid Pressure Drop :	7.39 PSI	17.05 Ft(H ₂ O)
Leaving Wet Bulb :	32.1	°F	Coil Face Area :	83.33	Sq. Ft

Electrical Summary Data

Unit Voltage :	480/3/60	V	Fan Motor & Ctrl MCA :	16.00	A
Heater MCA :	0.00	A	Fan Motor & Ctrl MOP :	20.00	A
Heater MOP :	0	A			
Control Voltage :	240/1/60	V			



Rev.	Date	Par/By	Description
			 2777, Grande-Allée St-Hubert, Québec CANADA, J4T 2R4 Tel: (450) 641-2665 Fax: (450) 923-5210 www.refplus.com

Copyright © 2012 Refplus inc. Tous droits réservés. Toute reproduction de ces dessins sans l'autorisation écrite de Refplus inc. est strictement interdite. Refplus inc., ses filiales et représentants ne peuvent en aucun cas être tenus responsables pour tout dommage découlant de toute erreur ou omission dans les dessins, ou tout dommage relié aux dessins ou à l'utilisation de ceux-ci par votre compagnie, ses filiales ou ses représentants.

Copyright © 2012 Refplus inc. All rights reserved. Any reproduction, in whole or in part, of these drawings is strictly prohibited without the written consent of Refplus inc. Refplus inc., its affiliates and representatives expressly disclaim any and all liability based on or relating to these drawings, or errors or omissions in same, or based on the use of these drawings by you, your affiliates or representatives.

Note:

À moins d'avis contraire, les dimensions sont en pouces / Unless otherwise specified, dimensions are in inches.
 Tolérances / Tolerances
 Frac: ±1/8 Dec: --- Ang: ± 2°
 Non à l'échelle / Not to scale

Modèle / Model : IND. WALK-IN COOLER	
EQ IA, E, G, HI - EX IA, E, G, HI 5 FANS	
Par / By : obenhafsia	Date : 03/05/2016
Numéro Dessin / Drawing Number EQ10013	Rev.



RefPlus Inc.
 2777, Grande-Allée
 St-Hubert, (QC), J4T 2R4
 Tél : (450) 641-2665
 Fax : (450) 641-4554

Quote #	Item #
160635-A	11

To :

FES Ohio
 Attn : Joe Rubino
 1725 Washington Road- Suite 302
 Pittsburgh, PA USA
 15241

Informations :

Project Name : Warabeya Ohio Commissary - All Bidding Contractors
Created : 04/19/2024
Created By : Joe Rubino
Last Change : 04/19/2024
Last Change By : Joe Rubino
Tel. : 412 595-8571 Ext. :
Cell : 412-580-5825
Fax :
E-mail :

jrubino@fesohio.com

ITEM #	TAG	DESCRIPTION	QTY	UNIT PRICE	TOTAL PRICE
11	Room # 137	EQA-31500-9W	2		

Total Capacity 123.39 mbh
 Sensible Capacity 117.22 mbh
 Main Voltage 480/3/60
 Cooling Mode
 FPI 4

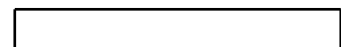
OPTIONS

Circuits - Custom 2
 Defrost type - Air defrost 2
 Motors speed - Standard high speed 2
 Air Throw - Standard 2
 Casing finish - Standard 2

ADDITIONAL ITEMS

Controller for EEV/TXV - Refplus Guardian+ factory installed 2

This quote is valid for 30 days. Prices are net. All applicable taxes extra.
 F.O.B plant in St-Hubert, Québec , Canada





RefPlus Inc.
 2777, Grande-Allée
 St-Hubert, (QC), J4T 2R4
 Tél : (450) 641-2665
 Fax : (450) 641-4554

Quote #	Item #
160635-A	11

EQA-31500-9W

Tag : Room # 137

General Informations

Heat Exchange Mode :	Cooling Mode	Row :	6
Model Status :	Standard Catalog	Fins Per Inch :	4
Entering Dry Bulb :	36.0 °F	Internal Volume :	3.97 Ft³
Entering Wet Bulb :	34.0 °F	Fluid Volume :	29.74 gal
Entering Liquid Temp :	26.0 °F	Unit Estimated Weight :	2,340.00 lbs
USGPM :	45.00	Options Added Weight :	0.00 lbs
Max Pressure Drop :	20 PSI	Total Estimated Weight :	2,340.00 lbs
Altitude :	0 Ft	Fluid Type :	Propylene Glycol (built in)
Unit Type :	Large industrial walk-in with Ziehl Abegg	Concentration :	30.00 %
Defrost Type :	Air defrost		

Fan(s) Data

Fan Motor Type :	Two Speeds	Fan Arrangement :	1 X 4
Fan Motor HP :	1.25 HP	Fan Motor Total FLA :	10.00 A
Fan Motor RPM :	730 RPM		
Fan Motor FLA :	2.50 A		
Motor Speed For Selection :	High Speed		

Coil(s) Data

Fins Per Inch :	4 FPI	Fin Material :	Aluminium
Coil Quantity :	1	Fin Pattern :	F
Connection(s) Quantity :	2	Connection Size In :	2" ø MPT
Circuit Quantity :	30	Connection Size Out :	2" ø MPT

Heater(s) Data

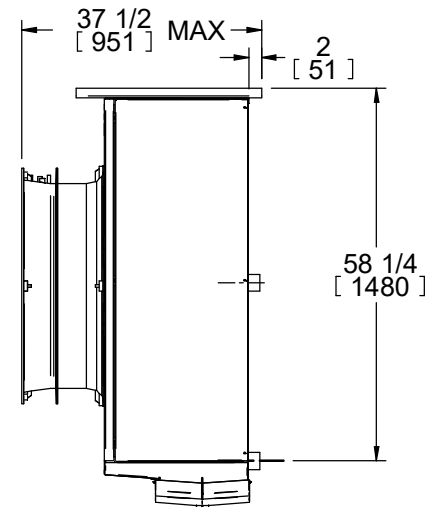
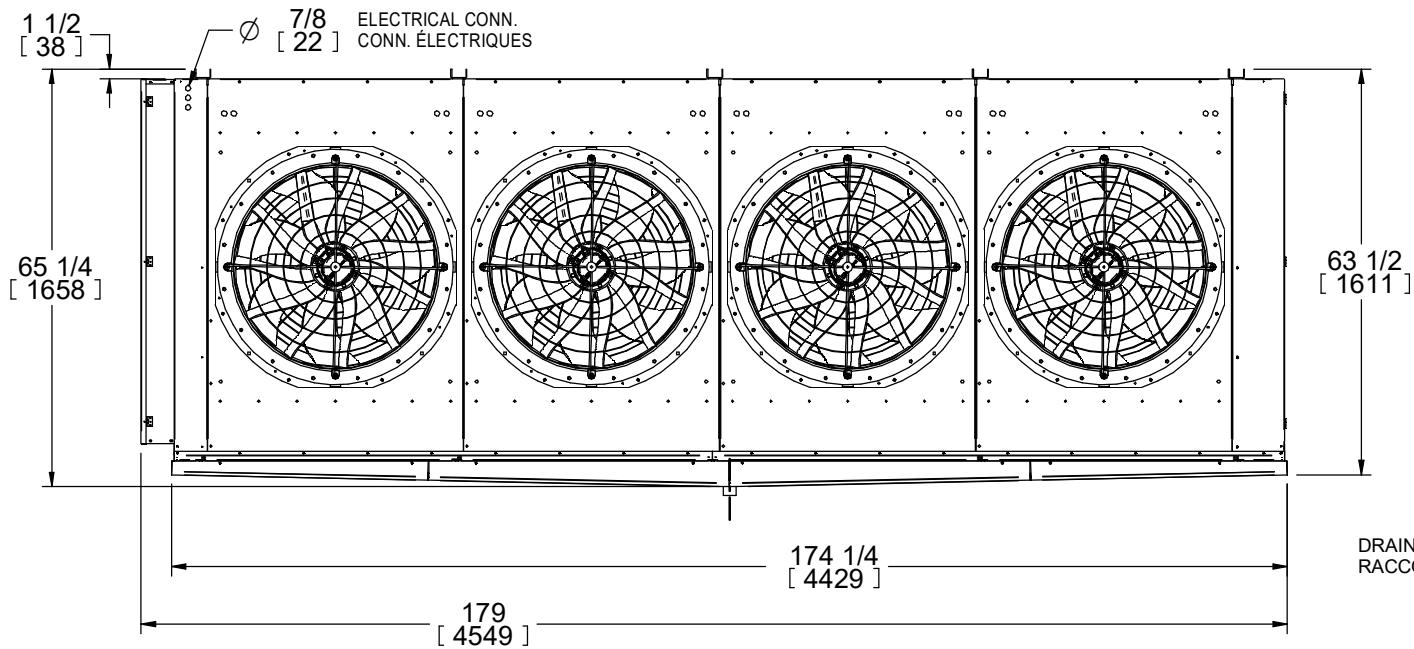
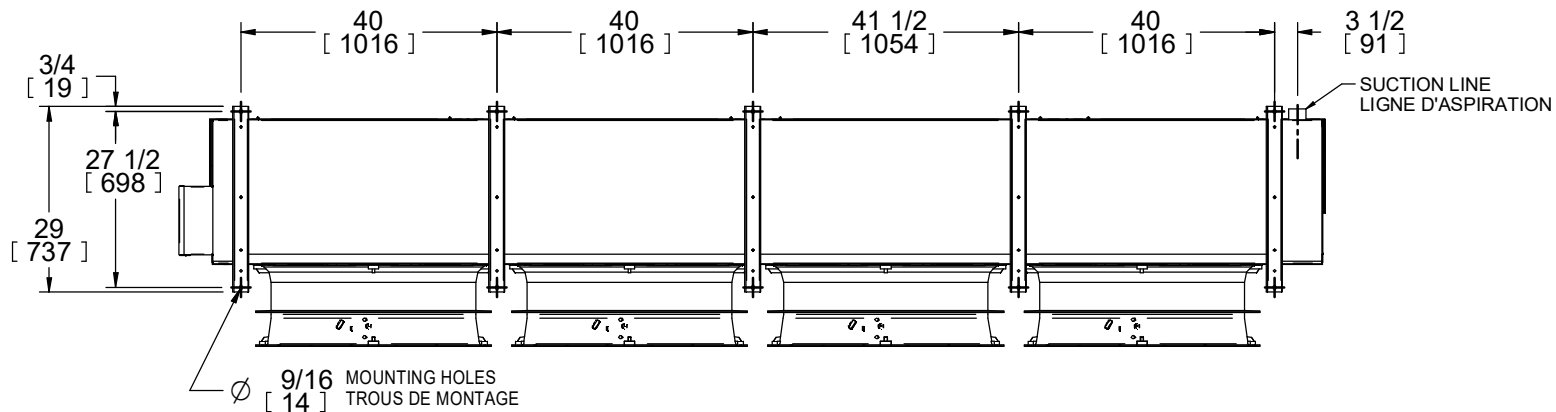
Heater Quantity In Coil :	0	Heater FLA :	0.00 A
Heater Quantity In Drain Pan :	0	Heater Total Power (Kw) :	0.00 Kw

Outputs

AIR SIDE		LIQUID SIDE	
Total Heat :	123.391 mbh	Leaving Liquid Temp :	31.7 °F
Sensible Heat :	117.222 mbh	GPM :	45.0
Latent Heat :	6.169 mbh	Liquid Velocity :	2.5 ft/sec
Leaving Dry Bulb :	33.0 °F	Liquid Pressure Drop :	8.85 PSI 20.41 Ft(H2O)
Leaving Wet Bulb :	32.1 °F	Coil Face Area :	66.67 Sq. Ft

Electrical Summary Data

Unit Voltage :	480/3/60 V	Fan Motor & Ctrl MCA :	10.63 A
Heater MCA :	0.00 A	Fan Motor & Ctrl MOP :	15.00 A
Heater MOP :	0 A		
Control Voltage :	240/1/60 V		



DRAIN FITTING 1 1/4 FPT S/S
RACCORD DE DRAINAGE [31]

C	23/04/2020	OBH	AJOUT D'UN 2 CIRCUIT POUR LE COIL
B	08/01/2020	OBH	AGRANDIR LA BOÎTE ÉLECTRIQUE
A	12/12/2019	OBH	TRANSITION VERS SOLIDEDGE

Rev.	Date	Par/By	Description
------	------	--------	-------------



2777, Grande-Allée
St-Hubert, Québec
CANADA, J4T 2R4
Tel: (450) 641-2665
Fax: (450) 923-5210
www.refplus.com

Copyright © 2012 Refplus inc. Tous droits réservés. Toute reproduction de ces dessins sans l'autorisation écrite de Refplus inc. est strictement interdite. Refplus inc., ses filiales et représentants ne peuvent en aucun cas être tenus responsables pour tout dommage découlant de toute erreur ou omission dans les dessins, ou tout dommage relié aux dessins ou à l'utilisation de ceux-ci par votre compagnie, ses filiales ou ses représentants.

Copyright © 2012 Refplus inc. All rights reserved. Any reproduction, in whole or in part, of these drawings is strictly prohibited without the written consent of Refplus inc. Refplus inc., its affiliates and representatives expressly disclaim any and all liability based on or relating to these drawings, or errors or omissions in same, or based on the use of these drawings by you, your affiliates or representatives.

Note:

À moins d'avis contraire, les dimensions sont en pouces / Unless otherwise specified, dimensions are in inches.

Tolérances / Tolerances

Frac: ±1/8 Dec: --- Ang: ±2°

Non à l'échelle / Not to scale

Modèle / Model : IND. WALK-IN COOLER
EQ IA, E, G, HI - EX IA, E, G, HI 4 FANS

Par / By : MC Date : 03/05/2016

Número Dessin / Drawing Number EQ10004 Rev. C



RefPlus Inc.
 2777, Grande-Allée
 St-Hubert, (QC), J4T 2R4
 Tél : (450) 641-2665
 Fax : (450) 641-4554

Quote #	Item #
160635-A	12

To :

FES Ohio
 Attn : Joe Rubino
 1725 Washington Road- Suite 302
 Pittsburgh, PA USA
 15241

Informations :

Project Name : Warabeya Ohio Commissary - All Bidding Contractors
Created : 04/19/2024
Created By : Joe Rubino
Last Change : 04/19/2024
Last Change By : Joe Rubino
Tel. : 412 595-8571 Ext. :
Cell : 412-580-5825
Fax :
E-mail :

jrubino@fesohio.com

ITEM #	TAG	DESCRIPTION	QTY	UNIT PRICE	TOTAL PRICE
12	Room # 139	LSA-0451-1W	1		

Total Capacity 14.86 mbh
 Sensible Capacity 7.49 mbh
 Main Voltage 120/1/60
 Cooling Mode
 FPI 4

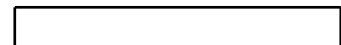
OPTIONS

Motor(s) - ECM 2 Speeds 1
 Circuits - Custom 1
 Defrost type - Air defrost 1
 Drain pan insulation - Standard 1
 Casing finish - Standard 1

ADDITIONAL ITEMS

Controller for EEV/TXV - Refplus Guardian+ factory installed 1

This quote is valid for 30 days. Prices are net. All applicable taxes extra.
 F.O.B plant in St-Hubert, Québec , Canada





RefPlus Inc.
 2777, Grande-Allée
 St-Hubert, (QC), J4T 2R4
 Tél : (450) 641-2665
 Fax : (450) 641-4554

Quote #	Item #
160635-A	12

LSA-0451-1W

Tag : Room # 139

General Informations

Heat Exchange Mode :	Cooling Mode	Row :	2
Model Status :	Standard Catalog	Fins Per Inch :	4
Entering Dry Bulb :	72.0 °F	Internal Volume :	0.06 Ft ³
Entering Wet Bulb :	65.0 °F	Fluid Volume :	0.48 gal
Entering Liquid Temp :	26.0 °F	Unit Estimated Weight :	26.00 lbs
USGPM :	3.00	Options Added Weight :	0.00 lbs
Max Pressure Drop :	15 PSI	Total Estimated Weight :	26.00 lbs
Altitude :	0 Ft	Fluid Type :	Propylene Glycol (built in)
Unit Type :	Low silhouette walk-in	Concentration :	30.00 %
Defrost Type :	Air defrost		

Fan(s) Data

Fan Motor Type :	ECM	Fan Arrangement :	1 X 1
Fan Motor HP :	50.00 W	Fan Motor Total FLA :	1.00 A
Fan Motor RPM :	1500 RPM		
Fan Motor FLA :	1.03 A		

Coil(s) Data

Fins Per Inch :	4 FPI	Fin Material :	Aluminium
Coil Quantity :	1	Fin Pattern :	E
Connection(s) Quantity :	1	Connection Size In :	0.5" ø MPT
Circuit Quantity :	2	Connection Size Out :	0.5" ø MPT

Heater(s) Data

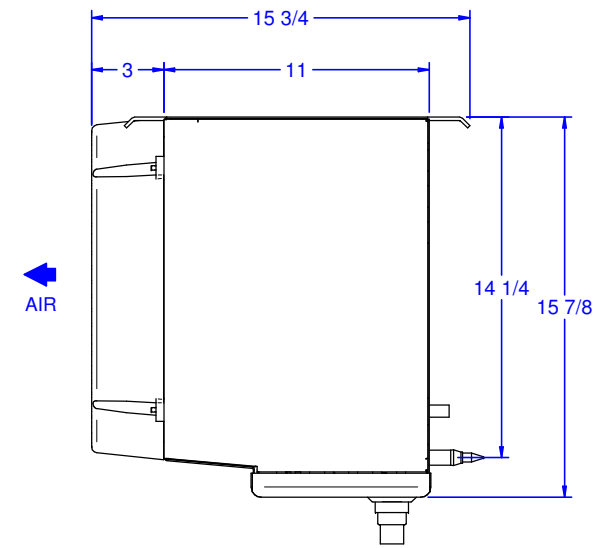
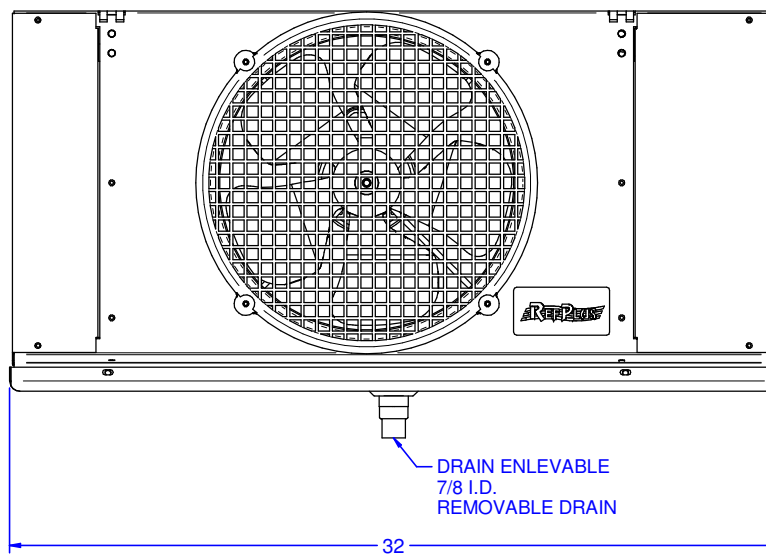
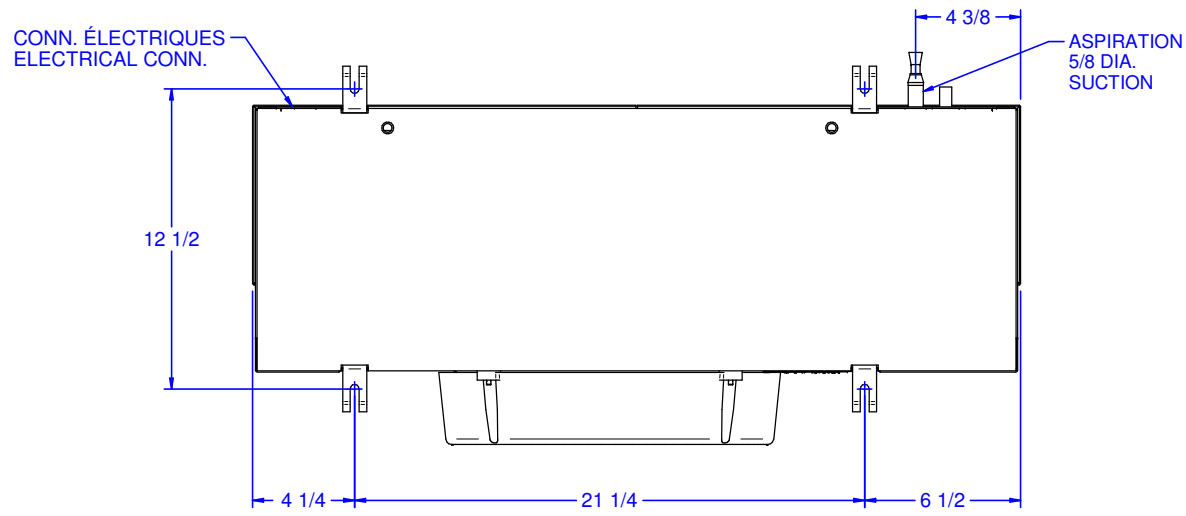
Heater Quantity In Coil :	0	Heater FLA :	0.00 A
Heater Quantity In Drain Pan :	0	Heater Total Power (Kw) :	0.00 Kw

Outputs

AIR SIDE		LIQUID SIDE	
Total Heat :	14.856 mbh	Leaving Liquid Temp :	36.4 °F
Sensible Heat :	7.485 mbh	GPM :	3.0
Latent Heat :	7.371 mbh	Liquid Velocity :	2.5 ft/sec
Leaving Dry Bulb :	65.5 °F	Liquid Pressure Drop :	3.15 PSI 7.27 Ft(H ₂ O)
Leaving Wet Bulb :	60.7 °F	Coil Face Area :	2.08 Sq. Ft

Electrical Summary Data

Unit Voltage :	120/1/60	V	Fan Motor & Ctrl MCA :	1.25	A
Heater MCA :	0.00	A	Fan Motor & Ctrl MOP :	15.00	A
Heater MOP :	0	A			
Control Voltage :	120/1/60	V			



Rev.	Date	Par/By	Description
A	22/05/19	O.BH	MISE A JOUR CARTOUCHE



2777, Grande-Allée
St-Hubert, Québec
CANADA, J4T 2R4
Tel: (450) 641-2665
Fax: (450) 923-5210
www.refplus.com

Copyright © 2012 Refplus inc. Tous droits réservés. Toute reproduction de ces dessins sans l'autorisation écrite de Refplus inc. est strictement interdite. Refplus inc., ses filiales et représentants ne peuvent en aucun cas être tenus responsables pour tout dommage découlant de toute erreur ou omission dans les dessins, ou tout dommage relié aux dessins ou à l'utilisation de ceux-ci par votre compagnie, ses filiales ou ses représentants.

Copyright © 2012 Refplus inc. All rights reserved. Any reproduction, in whole or in part, of these drawings is strictly prohibited without the written consent of Refplus inc. Refplus inc., its affiliates and representatives expressly disclaim any and all liability based on or relating to these drawings, or errors or omissions in same, or based on the use of these drawings by you, your affiliates or representatives.

Note:

À moins d'avis contraire, les dimensions sont en pouces / Unless otherwise specified, dimensions are in inches.

Tolérances / Tolerances
Frac: ±1/8 Dec: --- Ang: ± 2°
Non à l'échelle / Not to scale

Modèle / Model : LSA 0451, 0551, 0651, LSE IRTI 0431, 0521, 0621		
Par / By : M.C.	Date : 27 mai 2008	
Numéro Dessin / Drawing Number LS100-01		Rev. A



RefPlus Inc.
 2777, Grande-Allée
 St-Hubert, (QC), J4T 2R4
 Tél : (450) 641-2665
 Fax : (450) 641-4554

Quote #	Item #
160635-A	13

To :

FES Ohio
 Attn : Joe Rubino
 1725 Washington Road- Suite 302
 Pittsburgh, PA USA
 15241

Informations :

Project Name : Warabeya Ohio Commissary - All Bidding Contractors
Created : 04/19/2024
Created By : Joe Rubino
Last Change : 04/19/2024
Last Change By : Joe Rubino
Tel. : 412 595-8571 Ext. :
Cell : 412-580-5825
Fax :
E-mail :

jrubino@fesohio.com

ITEM #	TAG	DESCRIPTION	QTY	UNIT PRICE	TOTAL PRICE
13	Room # 141, 152, 167	EHA-12400-9W	8		

Total Capacity 62.37 mbh
 Sensible Capacity 56.41 mbh
 Main Voltage 480/3/60
 Cooling Mode
 FPI 5

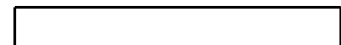
OPTIONS

Circuits - Custom 8
 Defrost type - Air defrost 8
 Air Throw - Standard 8
 Casing finish - Standard 8

ADDITIONAL ITEMS

Controller for EEV/TXV - Refplus Guardian+ factory installed 8

This quote is valid for 30 days. Prices are net. All applicable taxes extra.
 F.O.B plant in St-Hubert, Québec , Canada





RefPlus Inc.
 2777, Grande-Allée
 St-Hubert, (QC), J4T 2R4
 Tél : (450) 641-2665
 Fax : (450) 641-4554

Quote #	Item #
160635-A	13

EHA-12400-9W

Tag : Room # 141, 152, 167

General Informations

Heat Exchange Mode :	Cooling Mode	Row :	6
Model Status :	Standard Catalog	Fins Per Inch :	5
Entering Dry Bulb :	36.0 °F	Internal Volume :	2.22 Ft³
Entering Wet Bulb :	34.0 °F	Fluid Volume :	16.65 gal
Entering Liquid Temp :	26.0 °F	Unit Estimated Weight :	940.00 lbs
USGPM :	22.00	Options Added Weight :	0.00 lbs
Max Pressure Drop :	20 PSI	Total Estimated Weight :	940.00 lbs
Altitude :	0 Ft	Fluid Type :	Propylene Glycol (built in)
Unit Type :	Large industrial walk-in	Concentration :	30.00 %
Defrost Type :	Air defrost		

Fan(s) Data

Fan Motor Type :	Single Speed	Fan Arrangement :	1 X 2
Fan Motor HP :	1.00 HP	Fan Motor Total FLA :	5.20 A
Fan Motor RPM :	850 RPM		
Fan Motor FLA :	2.60 A		

Coil(s) Data

Fins Per Inch :	5 FPI	Fin Material :	Aluminium
Coil Quantity :	1	Fin Pattern :	E
Connection(s) Quantity :	1	Connection Size In :	1.25" ø MPT
Circuit Quantity :	12	Connection Size Out :	1.25" ø MPT

Heater(s) Data

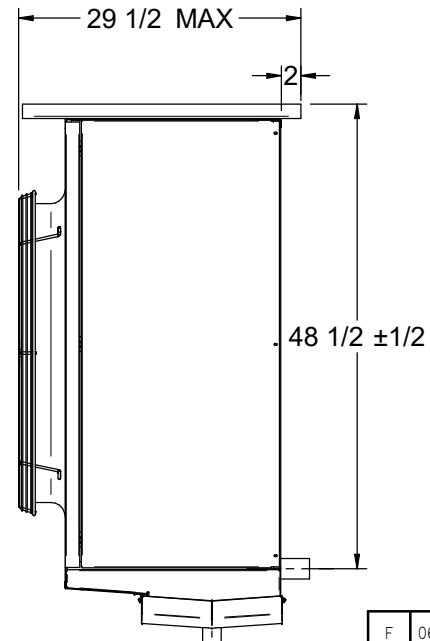
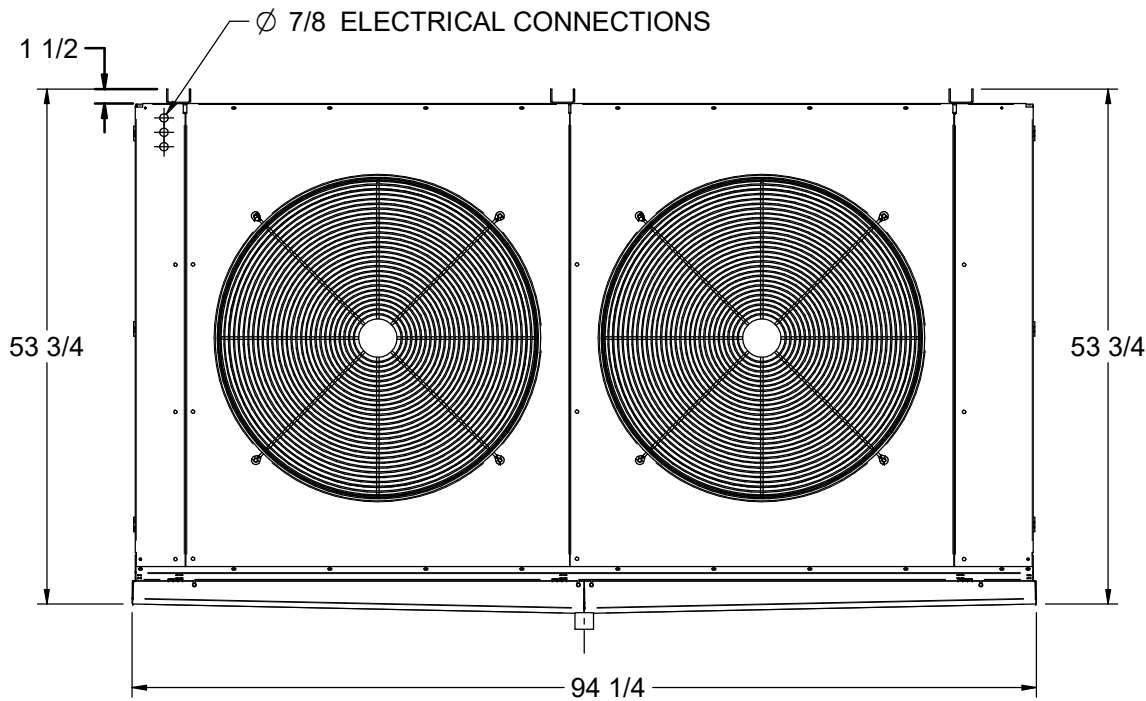
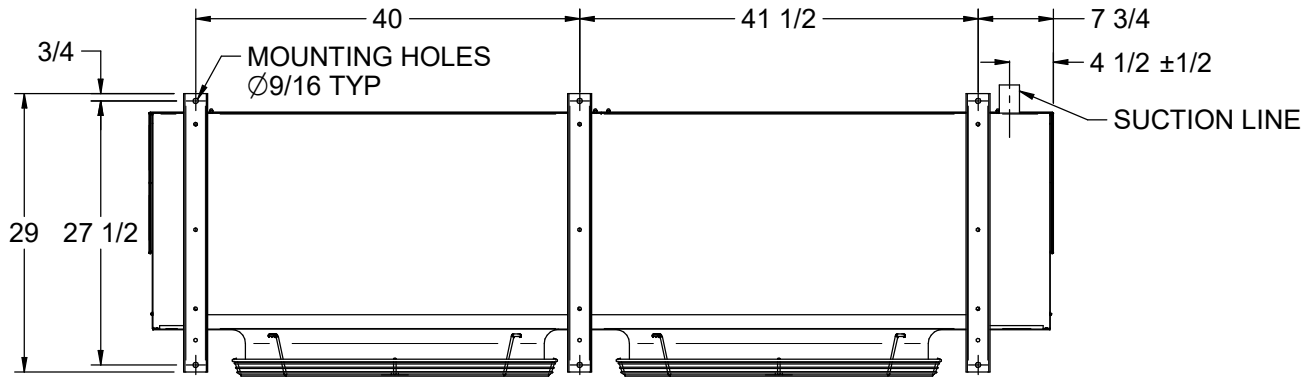
Heater Quantity In Coil :	0	Heater FLA :	0.00 A
Heater Quantity In Drain Pan :	0	Heater Total Power (Kw) :	0.00 Kw

Outputs

AIR SIDE		LIQUID SIDE	
Total Heat :	62.370 mbh	Leaving Liquid Temp :	31.9 °F
Sensible Heat :	56.406 mbh	GPM :	22.0
Latent Heat :	5.964 mbh	Liquid Velocity :	3.1 ft/sec
Leaving Dry Bulb :	32.5 °F	Liquid Pressure Drop :	17.67 PSI 40.76 Ft(H2O)
Leaving Wet Bulb :	31.7 °F	Coil Face Area :	27.78 Sq. Ft

Electrical Summary Data

Unit Voltage :	480/3/60	V	Fan Motor & Ctrl MCA :	5.85	A
Heater MCA :	0.00	A	Fan Motor & Ctrl MOP :	15.00	A
Heater MOP :	0	A			
Control Voltage :	240/1/60	V			



DRAIN FITTING 1 1/4 FPT S/S

F	06-06-19	OBH	TRANSITION VERS 3D & CHANGEMENT DRAIN PAN DOUBLE PENTE
E	28-04-16	M.C.	ENLEVER MODÈLE EHIGH, EIGHI
D	29-03-04	M.C.	DESSOUS EN PENTE, ÉLARGIR LE BAC
C	01-10-02	M.C.	BAC D'ÉGOUTTEMENT EN PENTE
B	28-01-99	FL	DRAIN FITTING 1.25 FPT - WAS 1.5 FPT

Rev.	Date	Par/By	Description
			 2777, Grande-Allée St-Hubert, Québec CANADA, J4T 2R4 Tel: (450) 641-2665 Fax: (450) 923-5210 www.refplus.com

Copyright © 2012 Refplus inc. Tous droits réservés. Toute reproduction de ces dessins sans l'autorisation écrite de Refplus inc. est strictement interdite. Refplus inc., ses filiales et représentants ne peuvent en aucun cas être tenus responsables pour tout dommage découlant de toute erreur ou omission dans les dessins, ou tout dommage relié aux dessins ou à l'utilisation de ceux-ci par votre compagnie, ses filiales ou ses représentants.

Copyright © 2012 Refplus inc. All rights reserved. Any reproduction, in whole or in part, of these drawings is strictly prohibited without the written consent of Refplus inc. Refplus inc., its affiliates and representatives expressly disclaim any and all liability based on or relating to these drawings, or errors or omissions in same, or based on the use of these drawings by you, your affiliates or representatives.

Note:

À moins d'avis contraire, les dimensions sont en pouces / Unless otherwise specified, dimensions are in inches.

Tolérances / Tolerances
 Frac: ±1/8 Dec: --- Ang: ± 2°
 Non à l'échelle / Not to scale

Modèle / Model : IND. WALK-IN COOLER EHIAEJ - EIE 2 FANS	
Par / By : FL	Date : 09/07/1998
Numéro Dessin / Drawing Number EH10002	Rev. F



RefPlus Inc.
 2777, Grande-Allée
 St-Hubert, (QC), J4T 2R4
 Tél : (450) 641-2665
 Fax : (450) 641-4554

Quote #	Item #
160635-A	14

To :

FES Ohio
 Attn : Joe Rubino
 1725 Washington Road- Suite 302
 Pittsburgh, PA USA
 15241

Informations :

Project Name : Warabeya Ohio Commissary - All Bidding Contractors
Created : 04/19/2024
Created By : Joe Rubino
Last Change : 04/19/2024
Last Change By : Joe Rubino
Tel. : 412 595-8571 Ext. :
Cell : 412-580-5825
Fax :
E-mail :

jrubino@fesohio.com

ITEM #	TAG	DESCRIPTION	QTY	UNIT PRICE	TOTAL PRICE
14	Room # 142	EHA-16200-9W	2		

Total Capacity 59.70 mbh
 Sensible Capacity 54.94 mbh
 Main Voltage 480/3/60
 Cooling Mode
 FPI 4

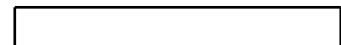
OPTIONS

Circuits - Custom 2
 Defrost type - Air defrost 2
 Air Throw - Standard 2
 Casing finish - Standard 2

ADDITIONAL ITEMS

Controller for EEV/TXV - Refplus Guardian+ factory installed 2

This quote is valid for 30 days. Prices are net. All applicable taxes extra.
 F.O.B plant in St-Hubert, Québec , Canada





RefPlus Inc.
 2777, Grande-Allée
 St-Hubert, (QC), J4T 2R4
 Tél : (450) 641-2665
 Fax : (450) 641-4554

Quote #	Item #
160635-A	14

EHA-16200-9W

Tag : Room # 142

General Informations

Heat Exchange Mode :	Cooling Mode	Row :	4	
Model Status :	Standard Catalog	Fins Per Inch :	4	
Entering Dry Bulb :	36.0 °F	Internal Volume :	2.18	Ft³
Entering Wet Bulb :	34.0 °F	Fluid Volume :	16.32	gal
Entering Liquid Temp :	26.0 °F	Unit Estimated Weight :	1,240.00	lbs
USGPM :	23.00	Options Added Weight :	0.00	lbs
Max Pressure Drop :	20 PSI	Total Estimated Weight :	1,240.00	lbs
Altitude :	0 Ft	Fluid Type :	Propylene Glycol (built in)	
Unit Type :	Large industrial walk-in	Concentration :	30.00	%
Defrost Type :	Air defrost			

Fan(s) Data

Fan Motor Type :	Single Speed	Fan Arrangement :	1 X 3	
Fan Motor HP :	1.00 HP	Fan Motor Total FLA :	7.80	A
Fan Motor RPM :	850 RPM			
Fan Motor FLA :	2.60 A			

Coil(s) Data

Fins Per Inch :	4 FPI	Fin Material :	Aluminium	
Coil Quantity :	1	Fin Pattern :	E	
Connection(s) Quantity :	1	Connection Size In :	1.25" ø MPT	
Circuit Quantity :	16	Connection Size Out :	1.25" ø MPT	

Heater(s) Data

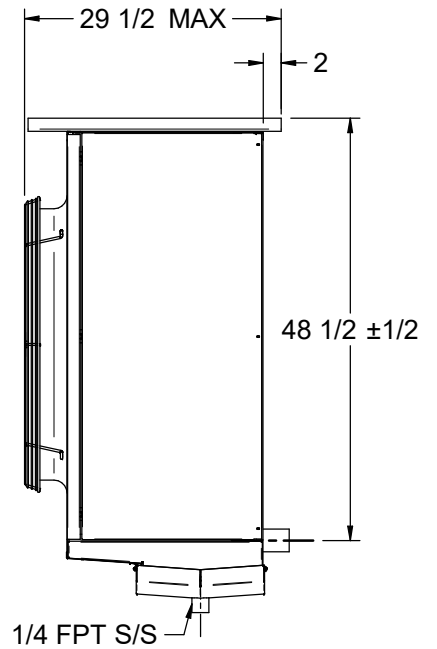
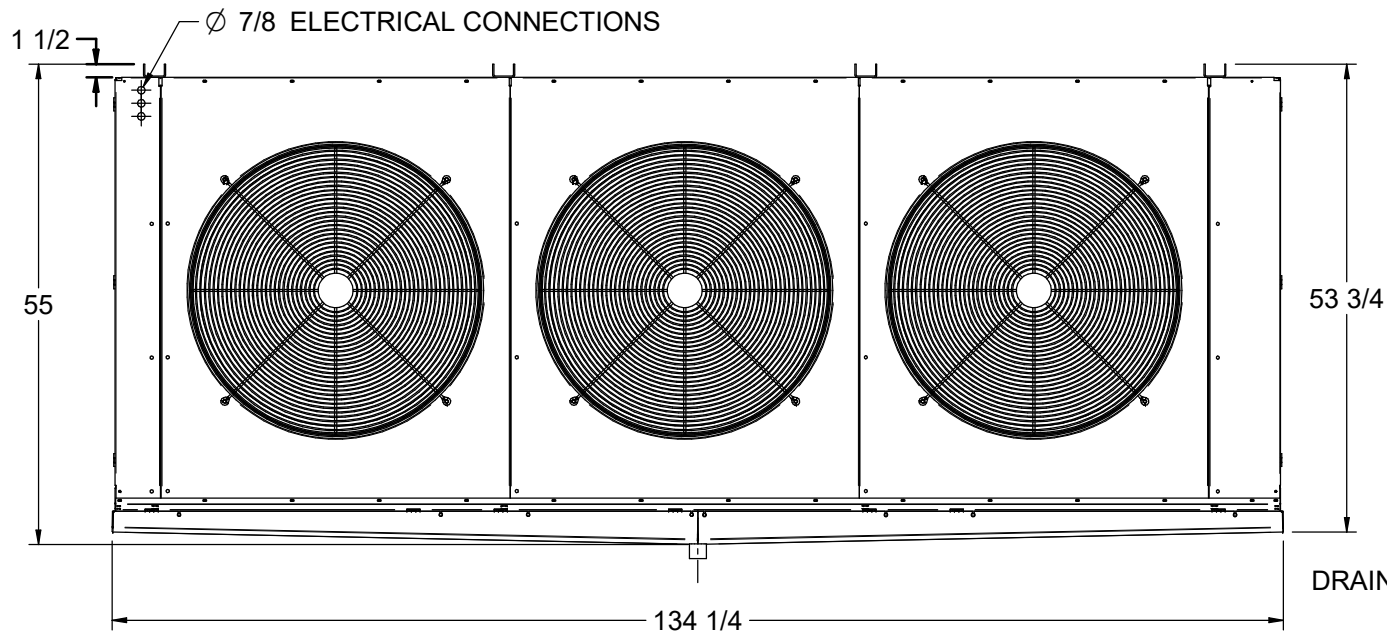
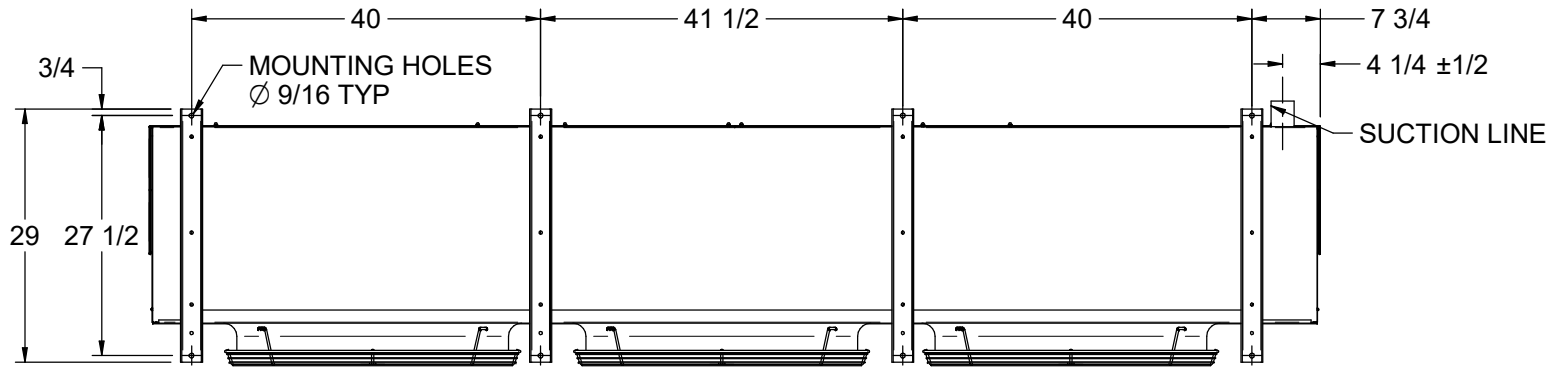
Heater Quantity In Coil :	0	Heater FLA :	0.00	A
Heater Quantity In Drain Pan :	0	Heater Total Power (Kw) :	0.00	Kw

Outputs

AIR SIDE			LIQUID SIDE		
Total Heat :	59.704	mbh	Leaving Liquid Temp :	31.4	°F
Sensible Heat :	54.939	mbh	GPM :	23.0	
Latent Heat :	4.765	mbh	Liquid Velocity :	2.4	ft/sec
Leaving Dry Bulb :	34.0	°F	Liquid Pressure Drop :	9.23 PSI	21.29 Ft(H ₂ O)
Leaving Wet Bulb :	32.7	°F	Coil Face Area :	41.67	Sq. Ft

Electrical Summary Data

Unit Voltage :	480/3/60	V	Fan Motor & Ctrl MCA :	8.45	A
Heater MCA :	0.00	A	Fan Motor & Ctrl MOP :	15.00	A
Heater MOP :	0	A			
Control Voltage :	240/1/60	V			



D	06-06-19	OBH	TRANSITION VERS 3D & CHANGEMENT DRAIN PAN DOUBLE PENTE
C	28-04-16	M.C.	ENLEVER MODÈLE EHIGH, EIGHI
B	29-03-04	M.C.	DESSOUS EN PENTE, ÉLARGIR LE BAC
A	01-10-02	M.C.	BAC D'ÉGOUTTEMENT EN PENTE

Rev.	Date	Par/By	Description
------	------	--------	-------------



2777, Grande-Allée
St-Hubert, Québec
CANADA, J4T 2R4
Tel: (450) 641-2665
Fax: (450) 923-5210
www.refplus.com

Copyright © 2012 Refplus inc. Tous droits réservés. Toute reproduction de ces dessins sans l'autorisation écrite de Refplus inc. est strictement interdite. Refplus inc., ses filiales et représentants ne peuvent en aucun cas être tenus responsables pour tout dommage découlant de toute erreur ou omission dans les dessins, ou tout dommage relié aux dessins ou à l'utilisation de ceux-ci par votre compagnie, ses filiales ou ses représentants.

Copyright © 2012 Refplus inc. All rights reserved. Any reproduction, in whole or in part, of these drawings is strictly prohibited without the written consent of Refplus inc. Refplus inc., its affiliates and representatives expressly disclaim any and all liability based on or relating to these drawings, or errors or omissions in same, or based on the use of these drawings by you, your affiliates or representatives.

Note:

À moins d'avis contraire, les dimensions sont en pouces / Unless otherwise specified, dimensions are in inches.

Tolérances / Tolerances

Frac: ±1/8 Dec: --- Ang: ± 2°

Non à l'échelle / Not to scale

Modèle / Model : IND. WALK-IN COOLER
EHIAEJ - EIE 3 FANS

Par / By : FL Date : 08/07/1998

Numéro Dessin / Drawing Number
EH10003

Rev.
D



RefPlus Inc.
 2777, Grande-Allée
 St-Hubert, (QC), J4T 2R4
 Tél : (450) 641-2665
 Fax : (450) 641-4554

Quote #	Item #
160635-A	15

To :

FES Ohio
 Attn : Joe Rubino
 1725 Washington Road- Suite 302
 Pittsburgh, PA USA
 15241

Informations :

Project Name : Warabeya Ohio Commissary - All Bidding Contractors
Created : 04/19/2024
Created By : Joe Rubino
Last Change : 04/19/2024
Last Change By : Joe Rubino
Tel. : 412 595-8571 Ext. :
Cell : 412-580-5825
Fax :
E-mail :

jrubino@fesohio.com

ITEM #	TAG	DESCRIPTION	QTY	UNIT PRICE	TOTAL PRICE
15	Room # 149A, 149B, 156, 164	EJA-03700L-9W	7		

Total Capacity 36.68 mbh
 Sensible Capacity 23.06 mbh
 Main Voltage 480/3/60
 Cooling Mode
 FPI 6 (Standard)

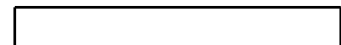
OPTIONS

Circuits - Custom 7
 Defrost type - Air defrost 7
 Motors speed - Standard low speed 7
 Air Throw - Standard 7
 Casing finish - Standard 7

ADDITIONAL ITEMS

Controller for EEV/TXV - Refplus Guardian+ factory installed 7

This quote is valid for 30 days. Prices are net. All applicable taxes extra.
 F.O.B plant in St-Hubert, Québec , Canada





RefPlus Inc.
 2777, Grande-Allée
 St-Hubert, (QC), J4T 2R4
 Tél : (450) 641-2665
 Fax : (450) 641-4554

Quote #	Item #
160635-A	15

EJA-03700L-9W

Tag : Room # 149A, 149B, 156, 164

General Informations

Heat Exchange Mode :	Cooling Mode	Row :	6	
Model Status :	Standard Catalog	Fins Per Inch :	6	
Entering Dry Bulb :	40.0 °F	Internal Volume :	0.54	Ft³
Entering Wet Bulb :	39.0 °F	Fluid Volume :	4.05	gal
Entering Liquid Temp :	26.0 °F	Unit Estimated Weight :	405.00	lbs
Leaving Liquid Temp :	32.0 °F	Options Added Weight :	0.00	lbs
Max Pressure Drop :	20 PSI	Total Estimated Weight :	405.00	lbs
Altitude :	0 Ft	Fluid Type :	Propylene Glycol (built in)	
Unit Type :	Medium industrial walk-in with Ziehl	Concentration :	30.00	%
	Abegg			
Defrost Type :	Air defrost			

Fan(s) Data

Fan Motor Type :	Two Speeds	Fan Arrangement :	1 X 1	
Fan Motor HP :	0.37 HP	Fan Motor Total FLA :	1.00	A
Fan Motor RPM :	1090 RPM			
Fan Motor FLA :	1.00 A			
Motor Speed For Selection :	Low Speed			

Coil(s) Data

Fins Per Inch :	6 (Standard)	FPI	Fin Material :	Aluminium
Coil Quantity :	1		Fin Pattern :	F
Connection(s) Quantity :	1		Connection Size In :	1" ø MPT
Circuit Quantity :	10		Connection Size Out :	1" ø MPT

Heater(s) Data

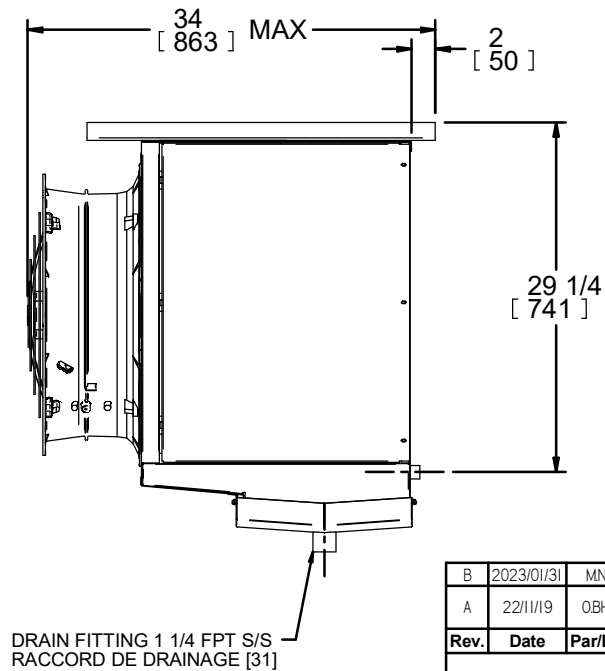
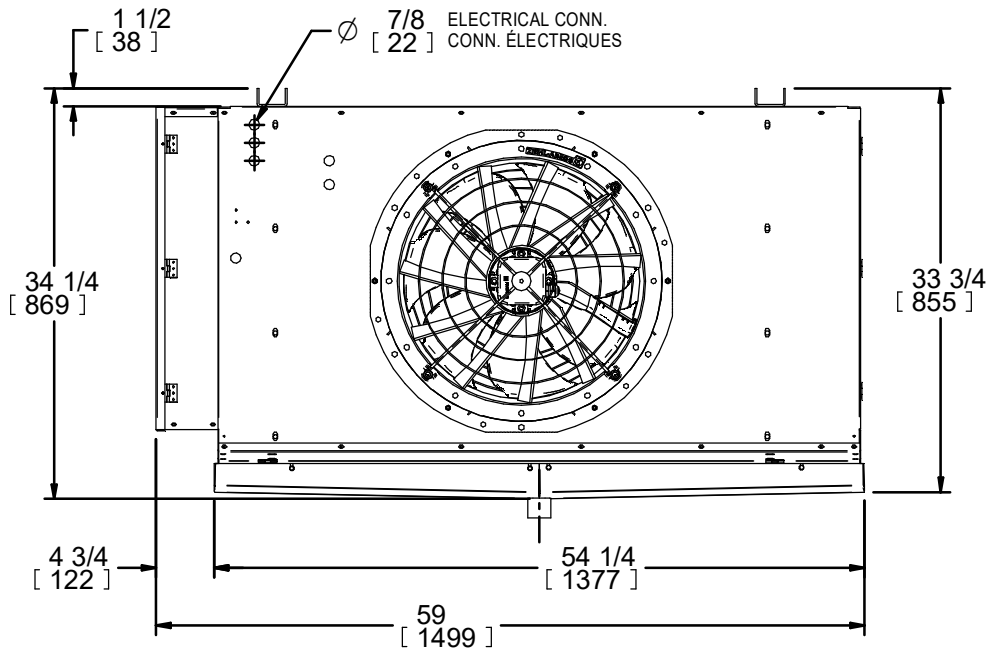
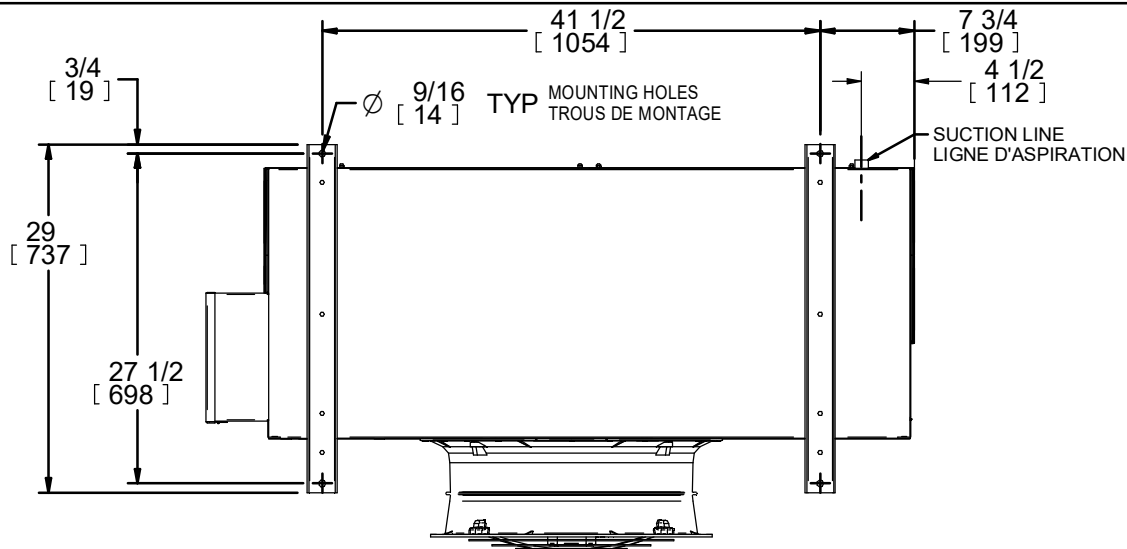
Heater Quantity In Coil :	0	Heater FLA :	0.00	A
Heater Quantity In Drain Pan :	0	Heater Total Power (Kw) :	0.00	Kw

Outputs

AIR SIDE			LIQUID SIDE		
Total Heat :	36.678	mbh	Leaving Liquid Temp :	31.7	°F
Sensible Heat :	23.059	mbh	GPM :	13.4	
Latent Heat :	13.619	mbh	Liquid Velocity :	2.3	ft/sec
Leaving Dry Bulb :	34.6	°F	Liquid Pressure Drop :	5.65 PSI	13.03 Ft(H ₂ O)
Leaving Wet Bulb :	34.3	°F	Coil Face Area :	8.33	Sq. Ft

Electrical Summary Data

Unit Voltage :	480/3/60	V	Fan Motor & Ctrl MCA :	1.25	A
Heater MCA :	0.00	A	Fan Motor & Ctrl MOP :	15.00	A
Heater MOP :	0	A			
Control Voltage :	240/1/60	V			



B	2023/01/31	MN	MISE À JOUR
A	22/11/19	OBH	CHANGEMENT DRAIN PAN DOUBLE PENTE & TRANSITION VERS SOLIDEDGE
Rev.	Date	Par/By	Description



2777, Grande-Allée
 St-Hubert, Québec
 CANADA, J4T 2R4
 Tel: (450) 641-2665
 Fax: (450) 923-5210
 www.refplus.com

Copyright © 2012 Refplus inc. Tous droits réservés. Toute reproduction de ces dessins sans l'autorisation écrite de Refplus inc. est strictement interdite. Refplus inc., ses filiales et représentants ne peuvent en aucun cas être tenus responsables pour tout dommage découlant de toute erreur ou omission dans les dessins, ou tout dommage relié aux dessins ou à l'utilisation de ceux-ci par votre compagnie, ses filiales ou ses représentants.

Copyright © 2012 Refplus inc. All rights reserved. Any reproduction, in whole or in part, of these drawings is strictly prohibited without the written consent of Refplus inc. Refplus inc., its affiliates and representatives expressly disclaim any and all liability based on or relating to these drawings, or errors or omissions in same, or based on the use of these drawings by you, your affiliates or representatives.

Note:

À moins d'avis contraire, les dimensions sont en pouces / Unless otherwise specified, dimensions are in inches.

Tolérances / Tolerances
 Frac: ±1/8 Dec: --- Ang: ± 2°
 Non à l'échelle / Not to scale

Modèle / Model : IND. WALK-IN COOLER	
EJ IA, E, G, HI - ZIEHL ABEGG I FAN	
Par / By : MC	Date : 13/04/2016
Numéro Dessin / Drawing Number	Rev. B



RefPlus Inc.
 2777, Grande-Allée
 St-Hubert, (QC), J4T 2R4
 Tél : (450) 641-2665
 Fax : (450) 641-4554

Quote #	Item #
160635-A	16

To :

FES Ohio
 Attn : Joe Rubino
 1725 Washington Road- Suite 302
 Pittsburgh, PA USA
 15241

Informations :

Project Name : Warabeya Ohio Commissary - All Bidding Contractors
Created : 04/19/2024
Created By : Joe Rubino
Last Change : 04/19/2024
Last Change By : Joe Rubino
Tel. : 412 595-8571 Ext. :
Cell : 412-580-5825
Fax :
E-mail :

jrubino@fesohio.com

ITEM #	TAG	DESCRIPTION	QTY	UNIT PRICE	TOTAL PRICE
16	Room # 151, 152B	LQA-32100L-9W	5		

Total Capacity 128.82 mbh
 Sensible Capacity 124.20 mbh
 Main Voltage 480/3/60
 Cooling Mode
 FPI 4

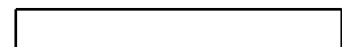
OPTIONS

Circuits - Custom 5
 Casing finish - Standard 5

ADDITIONAL ITEMS

Controller for EEV/TXV - Refplus Guardian+ factory installed 5

This quote is valid for 30 days. Prices are net. All applicable taxes extra.
 F.O.B plant in St-Hubert, Québec , Canada





RefPlus Inc.
 2777, Grande-Allée
 St-Hubert, (QC), J4T 2R4
 Tél : (450) 641-2665
 Fax : (450) 641-4554

Quote #	Item #
160635-A	16

LQA-32100L-9W

Tag : Room # 151, 152B

General Informations

Heat Exchange Mode :	Cooling Mode	Row :	6
Model Status :	Standard Catalog	Fins Per Inch :	4
Entering Dry Bulb :	36.0 °F	Internal Volume :	5.56 Ft³
Entering Wet Bulb :	34.0 °F	Fluid Volume :	41.63 gal
Entering Liquid Temp :	26.0 °F	Unit Estimated Weight :	1,897.00 lbs
USGPM :	54.00	Options Added Weight :	0.00 lbs
Max Pressure Drop :	20 PSI	Total Estimated Weight :	1,897.00 lbs
Altitude :	0 Ft	Fluid Type :	Propylene Glycol (built in)
Unit Type :	Low velocity large industrial walk-in with Ziehl Abegg Air defrost	Concentration :	30.00 %
Defrost Type :			

Fan(s) Data

Fan Motor Type :	Two Speeds	Fan Arrangement :	1 X 4
Fan Motor HP :	0.50 HP	Fan Motor Total FLA :	4.40 A
Fan Motor RPM :	510 RPM		
Fan Motor FLA :	1.10 A		
Motor Speed For Selection :	Low Speed		

Coil(s) Data

Fins Per Inch :	4 FPI	Fin Material :	Aluminium
Coil Quantity :	2	Fin Pattern :	F
Connection(s) Quantity :	2	Connection Size In :	2" ø MPT
Circuit Quantity :	42	Connection Size Out :	2" ø MPT

Heater(s) Data

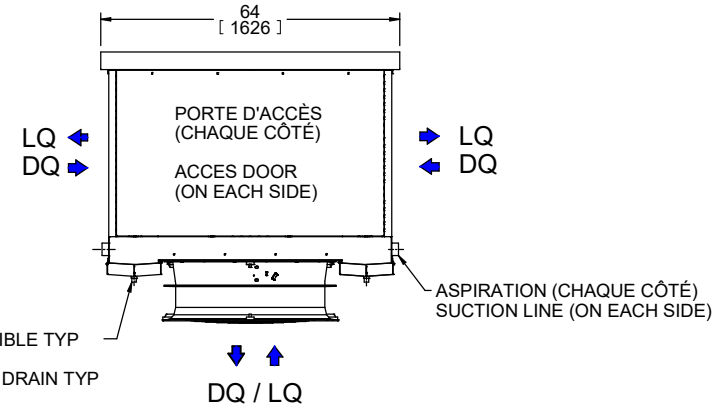
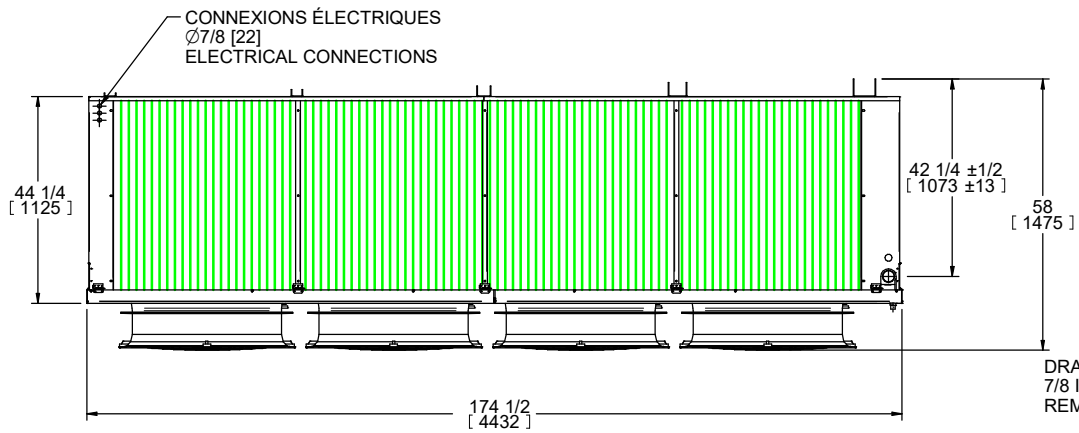
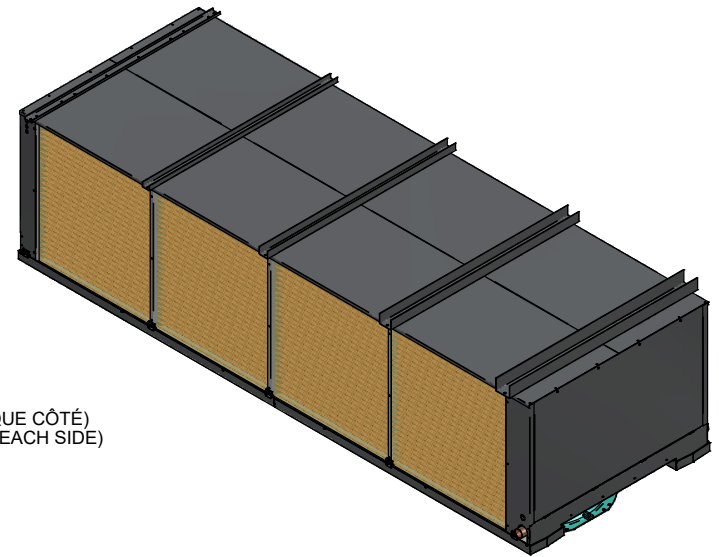
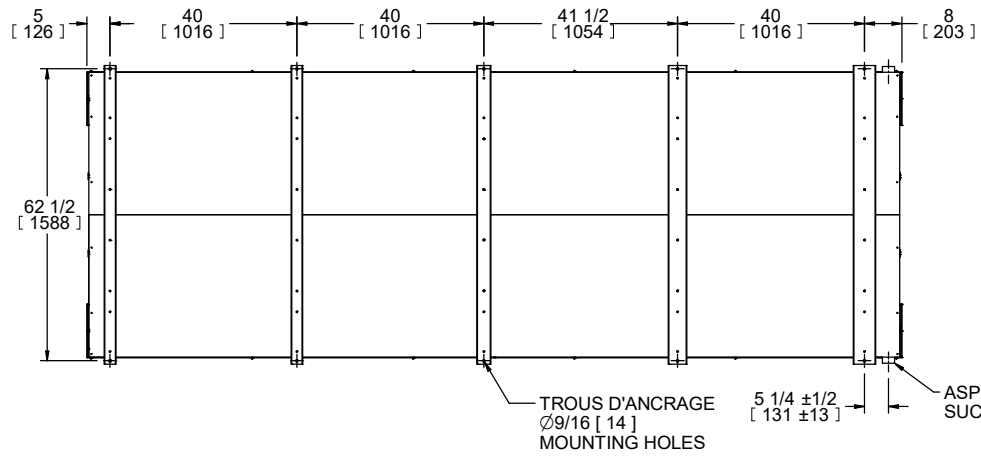
Heater Quantity In Coil :	0	Heater FLA :	0.00 A
Heater Quantity In Drain Pan :	0	Heater Total Power (Kw) :	0.00 Kw

Outputs

AIR SIDE		LIQUID SIDE	
Total Heat :	128.822 mbh	Leaving Liquid Temp :	31.0 °F
Sensible Heat :	124.199 mbh	GPM :	54.0
Latent Heat :	4.623 mbh	Liquid Velocity :	2.2 ft/sec
Leaving Dry Bulb :	32.3 °F	Liquid Pressure Drop :	7.26 PSI 16.75 Ft(H2O)
Leaving Wet Bulb :	31.7 °F	Coil Face Area :	93.33 Sq. Ft

Electrical Summary Data

Unit Voltage :	480/3/60 V	Fan Motor & Ctrl MCA :	4.68 A
Heater MCA :	0.00 A	Fan Motor & Ctrl MOP :	15.00 A
Heater MOP :	0 A		
Control Voltage :	240/1/60 V		



Rev.	Date	Par/By	Description
			2777, Grande-Allée St-Hubert, Québec CANADA, J4T 2R4 Tel: (450) 641-2665 Fax: (450) 923-5210 www.refplus.com
			Modèle / Model : IND. WALK-IN COOLER & FREEZER LQ, DQ IA, E, G, HI
Par / By : obenhafia		Date : 05/05/2020	
Numéro Dessin / Drawing Number			Rev.
LQ001-04			

Copyright © 2012 Refplus Inc. Tous droits réservés. Toute reproduction de ces dessins sans l'autorisation écrite de Refplus Inc. est strictement interdite. Refplus Inc., ses filiales et représentants ne peuvent en aucun cas être tenus responsables pour tout dommage découlant de toute erreur ou omission dans les dessins, ou tout dommage relié aux dessins ou à l'utilisation de ceux-ci par votre compagnie, ses filiales ou ses représentants.

Copyright © 2012 Refplus inc. All rights reserved. Any reproduction, in whole or in part, of these drawings is strictly prohibited without the written consent of Refplus Inc. Refplus Inc., its affiliates and representatives expressly disclaim any and all liability based on or relating to these drawings, or errors or omissions in same, or based on the use of these drawings by you, your affiliates or representatives.

Note:

À moins d'avis contraire, les dimensions sont en pouces / Unless otherwise specified, dimensions are in inches.
 Tolérances / Tolerances
 Frac: ±1/8 Dec: --- Ang: ± 2°
 Non à l'échelle / Not to scale

Modèle / Model : IND. WALK-IN COOLER & FREEZER
 LQ, DQ IA, E, G, HI
 Par / By : obenhafia Date : 05/05/2020
 Numéro Dessin / Drawing Number LQ001-04 Rev.



RefPlus Inc.
 2777, Grande-Allée
 St-Hubert, (QC), J4T 2R4
 Tél : (450) 641-2665
 Fax : (450) 641-4554

Quote #	Item #
160635-A	17

To :

FES Ohio
 Attn : Joe Rubino
 1725 Washington Road- Suite 302
 Pittsburgh, PA USA
 15241

Informations :

Project Name : Warabeya Ohio Commissary - All Bidding Contractors
 Created : 04/19/2024
 Created By : Joe Rubino
 Last Change : 04/19/2024
 Last Change By : Joe Rubino
 Tel. : 412 595-8571 Ext. :
 Cell : 412-580-5825
 Fax :
 E-mail :

jrubino@fesohio.com

ITEM #	TAG	DESCRIPTION	QTY	UNIT PRICE	TOTAL PRICE
17	Room # 152A	LMA-13200-9W	2		

Total Capacity 46.29 mbh
 Sensible Capacity 42.94 mbh
 Main Voltage 480/3/60
 Cooling Mode
 FPI 4

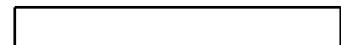
OPTIONS

Circuits - Custom 2
 Casing finish - Standard 2

ADDITIONAL ITEMS

Controller for EEV/TXV - Refplus Guardian+ factory installed 2

This quote is valid for 30 days. Prices are net. All applicable taxes extra.
 F.O.B plant in St-Hubert, Québec , Canada





RefPlus Inc.
 2777, Grande-Allée
 St-Hubert, (QC), J4T 2R4
 Tél : (450) 641-2665
 Fax : (450) 641-4554

Quote #	Item #
160635-A	17

LMA-13200-9W

Tag : Room # 152A

General Informations

Heat Exchange Mode :	Cooling Mode	Row :	4
Model Status :	Standard Catalog	Fins Per Inch :	4
Entering Dry Bulb :	36.0 °F	Internal Volume :	1.96 Ft ³
Entering Wet Bulb :	34.0 °F	Fluid Volume :	14.69 gal
Entering Liquid Temp :	26.0 °F	Unit Estimated Weight :	872.00 lbs
USGPM :	16.00	Options Added Weight :	0.00 lbs
Max Pressure Drop :	20 PSI	Total Estimated Weight :	872.00 lbs
Altitude :	0 Ft	Fluid Type :	Propylene Glycol (built in)
Unit Type :	Low velocity medium industrial walk-in	Concentration :	30.00 %
Defrost Type :	Air defrost		

Fan(s) Data

Fan Motor Type :	Single Speed	Fan Arrangement :	1 X 4
Fan Motor HP :	0.50 HP	Fan Motor Total FLA :	3.80 A
Fan Motor RPM :	1140 RPM		
Fan Motor FLA :	0.95 A		

Coil(s) Data

Fins Per Inch :	4 FPI	Fin Material :	Aluminium
Coil Quantity :	2	Fin Pattern :	E
Connection(s) Quantity :	1	Connection Size In :	1" ø MPT
Circuit Quantity :	12	Connection Size Out :	1" ø MPT

Heater(s) Data

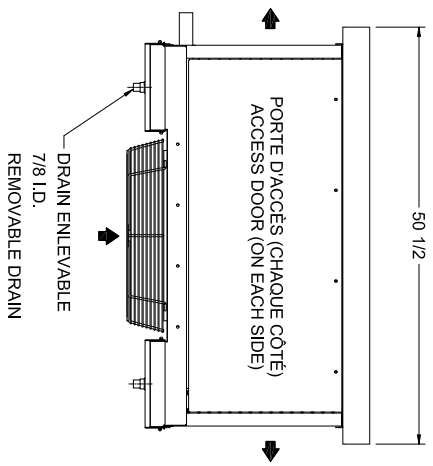
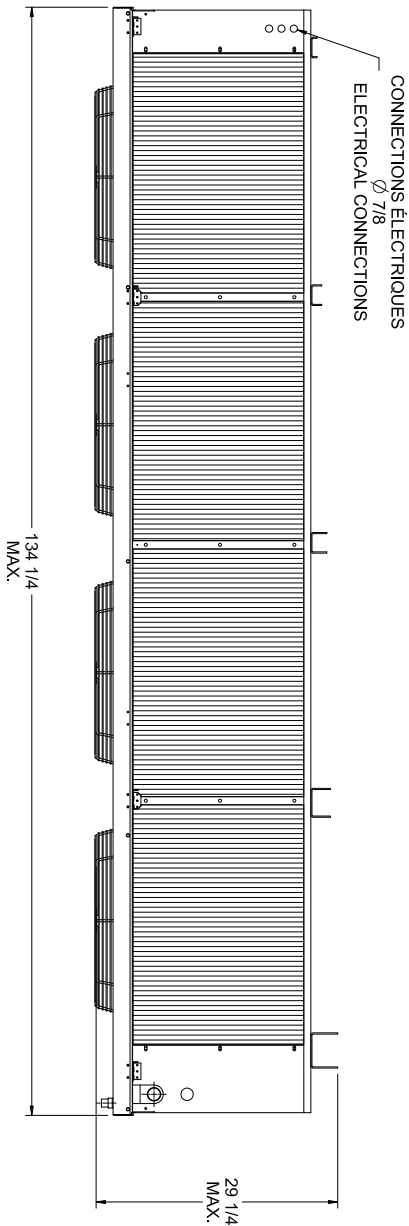
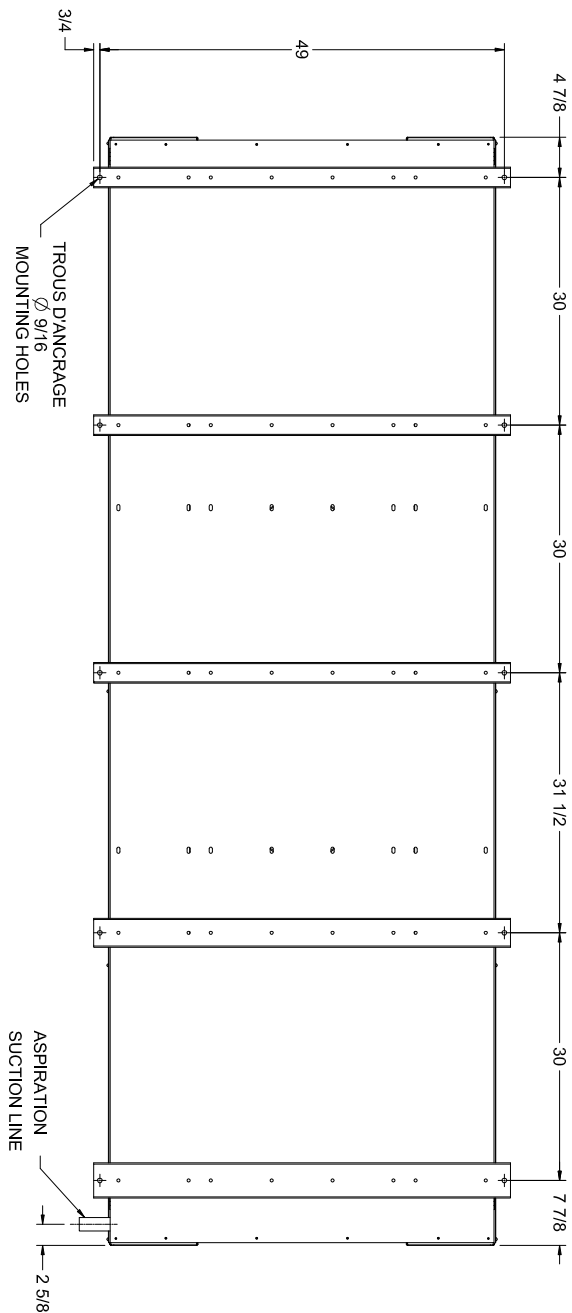
Heater Quantity In Coil :	0	Heater FLA :	0.00 A
Heater Quantity In Drain Pan :	0	Heater Total Power (Kw) :	0.00 Kw

Outputs

AIR SIDE		LIQUID SIDE	
Total Heat :	46.291 mbh	Leaving Liquid Temp :	32.0 °F
Sensible Heat :	42.938 mbh	GPM :	16.0
Latent Heat :	3.353 mbh	Liquid Velocity :	2.3 ft/sec
Leaving Dry Bulb :	33.9 °F	Liquid Pressure Drop :	10.17 PSI 23.46 Ft(H ₂ O)
Leaving Wet Bulb :	32.6 °F	Coil Face Area :	37.50 Sq. Ft

Electrical Summary Data

Unit Voltage :	480/3/60	V	Fan Motor & Ctrl MCA :	4.04	A
Heater MCA :	0.00	A	Fan Motor & Ctrl MOP :	15.00	A
Heater MOP :	0	A			
Control Voltage :	240/1/60	V			



Copyright © 2004 Replus Inc. Tous droits réservés. Toute reproduction de ces dessins sans autorisation écrite de Replus Inc. est strictement interdite. Replus Inc., ses filiales et représentants ne peuvent en aucun cas être tenus responsables pour tout dommage corporel ou matériel résultant de l'utilisation de ces dessins, ou tout dommage relié aux copies, à l'utilisation de ceux-ci par votre compagnie, ses filiales ou ses représentants.

Copyright © 2004 Replus Inc. All rights reserved. Any reproduction, in whole or in part, of these drawings without the written consent of Replus Inc., its affiliates and representatives expressly disclaim any and all liability based on the use of these drawings by you, your affiliates or representatives.

Note:

À moins d'avoir contrôlé, les dimensions sont en pouces / Unless otherwise specified, dimensions are in inches.
 Tolérances / Tolerances
 Frac: ±1/8 Dec: — Ang: ± 2°
 Non à l'échelle / Not to scale

REPLUS
 1385, De Coulomb
 Boucherville, Québec
 CANADA, J4B 7L8
 Tél: (450) 641-2665
 Fax: (450) 641-4554
 www.replus.com

Modèle / Model:	LMA (E,G,H) 11200, 13200
Par / By:	M. C.
Numéro Dessin / Drawing Number	LM000-04
Date:	7/22/2006
Rev.	

Rev.	Date	Par/By	Description



RefPlus Inc.
 2777, Grande-Allée
 St-Hubert, (QC), J4T 2R4
 Tél : (450) 641-2665
 Fax : (450) 641-4554

Quote #	Item #
160635-A	18

To :

FES Ohio
 Attn : Joe Rubino
 1725 Washington Road- Suite 302
 Pittsburgh, PA USA
 15241

Informations :

Project Name : Warabeya Ohio Commissary - All Bidding Contractors
Created : 04/19/2024
Created By : Joe Rubino
Last Change : 04/19/2024
Last Change By : Joe Rubino
Tel. : 412 595-8571 Ext. :
Cell : 412-580-5825
Fax :
E-mail :

jrubino@fesohio.com

ITEM #	TAG	DESCRIPTION	QTY	UNIT PRICE	TOTAL PRICE
18	Room # 152C	LMA-13200-9W	2		

Total Capacity 60.71 mbh
 Sensible Capacity 57.38 mbh
 Main Voltage 480/3/60
 Cooling Mode
 FPI 6 (Standard)

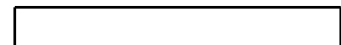
OPTIONS

Circuits - Custom 2
 Casing finish - Standard 2

ADDITIONAL ITEMS

Controller for EEV/TXV - Refplus Guardian+ factory installed 2

This quote is valid for 30 days. Prices are net. All applicable taxes extra.
 F.O.B plant in St-Hubert, Québec , Canada





RefPlus Inc.
 2777, Grande-Allée
 St-Hubert, (QC), J4T 2R4
 Tél : (450) 641-2665
 Fax : (450) 641-4554

Quote #	Item #
160635-A	18

LMA-13200-9W

Tag : Room # 152C

General Informations

Heat Exchange Mode :	Cooling Mode	Row :	4
Model Status :	Standard Catalog	Fins Per Inch :	6
Entering Dry Bulb :	36.0 °F	Internal Volume :	1.96 Ft ³
Entering Wet Bulb :	34.0 °F	Fluid Volume :	14.69 gal
Entering Liquid Temp :	26.0 °F	Unit Estimated Weight :	872.00 lbs
USGPM :	22.00	Options Added Weight :	0.00 lbs
Max Pressure Drop :	20 PSI	Total Estimated Weight :	872.00 lbs
Altitude :	0 Ft	Fluid Type :	Propylene Glycol (built in)
Unit Type :	Low velocity medium industrial walk-in	Concentration :	30.00 %
Defrost Type :	Air defrost		

Fan(s) Data

Fan Motor Type :	Single Speed	Fan Arrangement :	1 X 4
Fan Motor HP :	0.50 HP	Fan Motor Total FLA :	3.80 A
Fan Motor RPM :	1140 RPM		
Fan Motor FLA :	0.95 A		

Coil(s) Data

Fins Per Inch :	6 (Standard)	FPI	Fin Material :	Aluminium
Coil Quantity :	2		Fin Pattern :	E
Connection(s) Quantity :	1		Connection Size In :	1.25" ø MPT
Circuit Quantity :	12		Connection Size Out :	1.25" ø MPT

Heater(s) Data

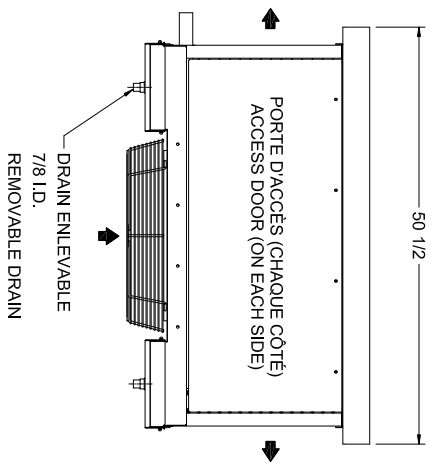
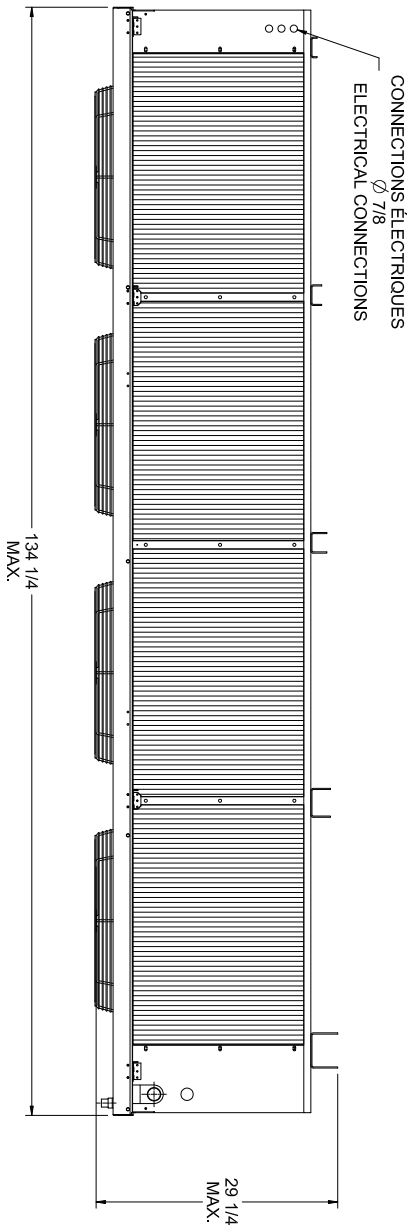
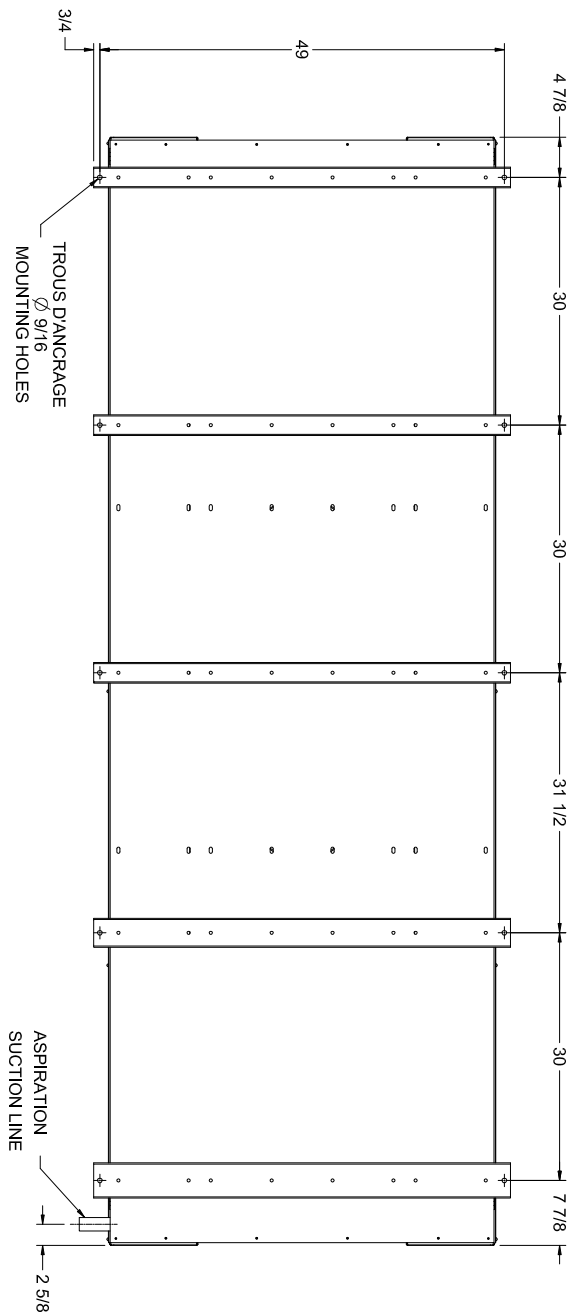
Heater Quantity In Coil :	0	Heater FLA :	0.00 A
Heater Quantity In Drain Pan :	0	Heater Total Power (Kw) :	0.00 Kw

Outputs

AIR SIDE		LIQUID SIDE	
Total Heat :	60.708 mbh	Leaving Liquid Temp :	31.8 °F
Sensible Heat :	57.380 mbh	GPM :	22.0
Latent Heat :	3.328 mbh	Liquid Velocity :	3.1 ft/sec
Leaving Dry Bulb :	33.1 °F	Liquid Pressure Drop :	15.27 PSI 35.22 Ft(H ₂ O)
Leaving Wet Bulb :	32.2 °F	Coil Face Area :	37.50 Sq. Ft

Electrical Summary Data

Unit Voltage :	480/3/60	V	Fan Motor & Ctrl MCA :	4.04 A
Heater MCA :	0.00	A	Fan Motor & Ctrl MOP :	15.00 A
Heater MOP :	0	A		
Control Voltage :	240/1/60	V		



Rev.	Date	Par/By	Description

REPLUS

1385, De Coulomb
Boucherville, Québec
CANADA, J4B 7L8
Tel: (450) 641-2665
Fax: (450) 641-4554
www.replus.com

Copyright © 2004 Replus inc. Tous droits réservés. Toute reproduction de ces dessins sans autorisation écrite de Replus inc. est strictement interdite. Replus inc., ses filiales et représentants ne peuvent en aucun cas être tenus responsables pour tout dommage corporel ou matériel résultant de l'utilisation de ces dessins, ou tout dommage résultant de l'utilisation de ceux-ci par votre compagnie, ses filiales ou ses représentants.

Copyright © 2004 Replus inc. All rights reserved. Any reproduction, in whole or in part, of these drawings without the written consent of Replus inc., its affiliates and representatives expressly disclaim any and all liability based on the use of these drawings by you, your affiliates or representatives.

Note:

À moins d'avoir contrôlé, les dimensions sont en pouces / Unless otherwise specified, dimensions are in inches.
Tolérances / Tolerances
Frac: ±1/8 Dec: — Ang: ± 2°
Non à l'échelle / Not to scale

Modèle / Model: LMA (E,G,H) 11200, 13200
Par / By: M.C. Date: 7/22/2006
Numéro Dessin / Drawing Number LM000-04 Rev.



RefPlus Inc.
 2777, Grande-Allée
 St-Hubert, (QC), J4T 2R4
 Tél : (450) 641-2665
 Fax : (450) 641-4554

Quote #	Item #
160635-A	19

To :

FES Ohio
 Attn : Joe Rubino
 1725 Washington Road- Suite 302
 Pittsburgh, PA USA
 15241

Informations :

Project Name : Warabeya Ohio Commissary - All Bidding Contractors
Created : 04/19/2024
Created By : Joe Rubino
Last Change : 04/19/2024
Last Change By : Joe Rubino
Tel. : 412 595-8571 Ext. :
Cell : 412-580-5825
Fax :
E-mail :

jrubino@fesohio.com

ITEM #	TAG	DESCRIPTION	QTY	UNIT PRICE	TOTAL PRICE
19	Room # 159A	LQA-15800L-9W	2		

Total Capacity 88.48 mbh
 Sensible Capacity 78.15 mbh
 Main Voltage 480/3/60
 Cooling Mode
 FPI 5

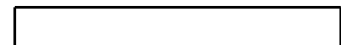
OPTIONS

Circuits - Standard 2
 Motors speed - Standard low speed 2
 Casing finish - Standard 2

ADDITIONAL ITEMS

Controller for EEV/TXV - Refplus Guardian+ factory installed 2

This quote is valid for 30 days. Prices are net. All applicable taxes extra.
 F.O.B plant in St-Hubert, Québec , Canada





RefPlus Inc.
 2777, Grande-Allée
 St-Hubert, (QC), J4T 2R4
 Tél : (450) 641-2665
 Fax : (450) 641-4554

Quote #	Item #
160635-A	19

LQA-15800L-9W

Tag : Room # 159A

General Informations

Heat Exchange Mode :	Cooling Mode	Row :	6
Model Status :	Standard Catalog	Fins Per Inch :	5
Entering Dry Bulb :	36.0 °F	Internal Volume :	2.86 Ft³
Entering Wet Bulb :	34.0 °F	Fluid Volume :	21.44 gal
Entering Liquid Temp :	26.0 °F	Unit Estimated Weight :	1,083.00 lbs
USGPM :	38.00	Options Added Weight :	0.00 lbs
Max Pressure Drop :	20 PSI	Total Estimated Weight :	1,083.00 lbs
Altitude :	0 Ft	Fluid Type :	Propylene Glycol (built in)
Unit Type :	Low velocity large industrial walk-in with Ziehl Abegg Air defrost	Concentration :	30.00 %
Defrost Type :			

Fan(s) Data

Fan Motor Type :	Two Speeds	Fan Arrangement :	1 X 2
Fan Motor HP :	0.50 HP	Fan Motor Total FLA :	2.20 A
Fan Motor RPM :	510 RPM		
Fan Motor FLA :	1.10 A		
Motor Speed For Selection :	Low Speed		

Coil(s) Data

Fins Per Inch :	5 FPI	Fin Material :	Aluminium
Coil Quantity :	2	Fin Pattern :	F
Connection(s) Quantity :	1	Connection Size In :	1.5" ø MPT
Circuit Quantity :	28 (Standard)	Connection Size Out :	1.5" ø MPT

Heater(s) Data

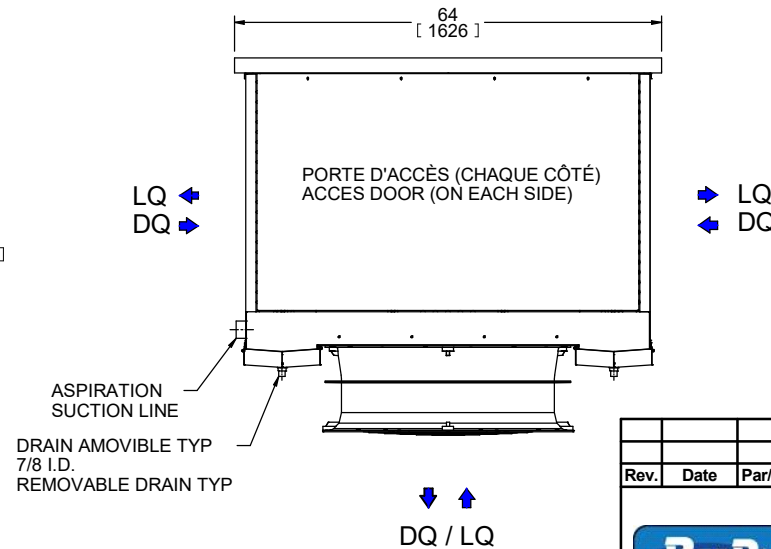
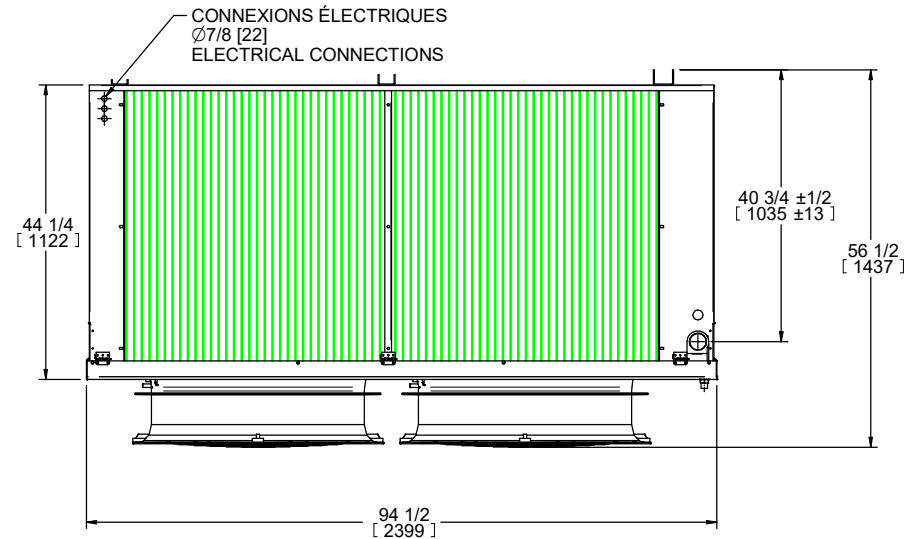
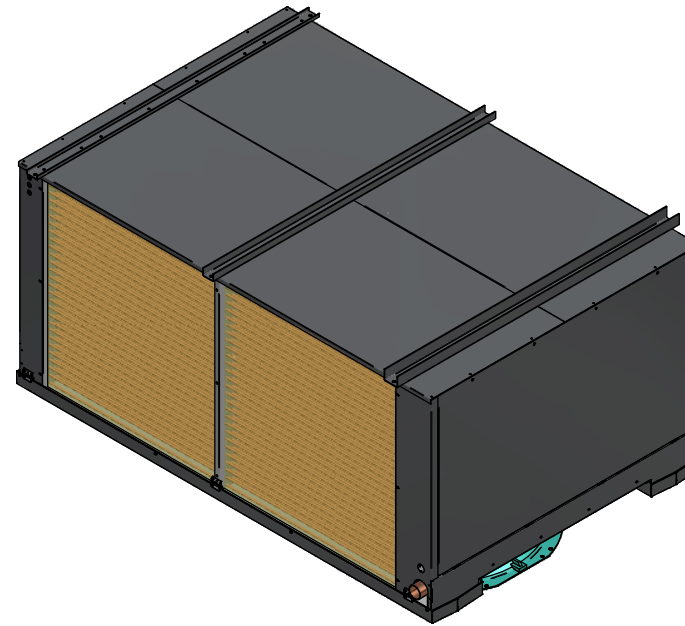
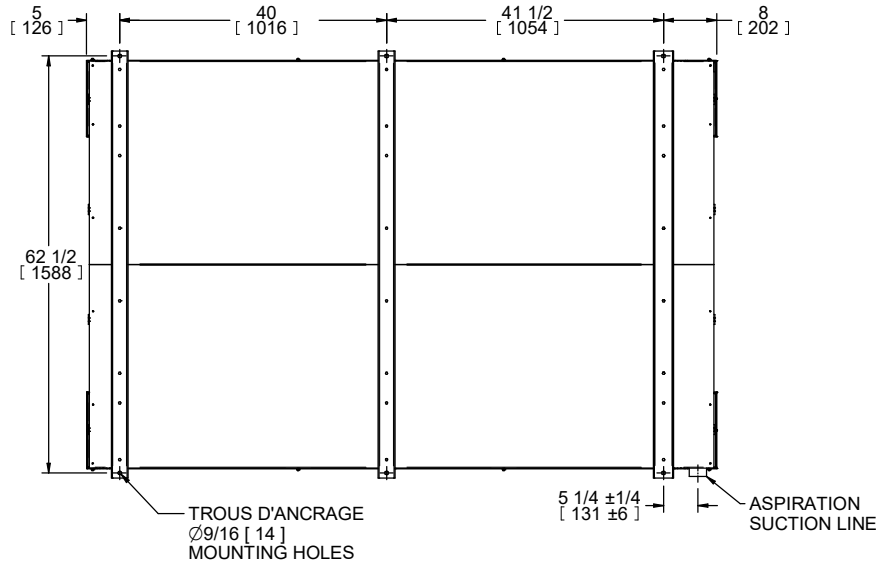
Heater Quantity In Coil :	0	Heater FLA :	0.00 A
Heater Quantity In Drain Pan :	0	Heater Total Power (Kw) :	0.00 Kw

Outputs

AIR SIDE		LIQUID SIDE	
Total Heat :	88.481 mbh	Leaving Liquid Temp :	30.9 °F
Sensible Heat :	78.151 mbh	GPM :	38.0
Latent Heat :	10.330 mbh	Liquid Velocity :	2.3 ft/sec
Leaving Dry Bulb :	31.3 °F	Liquid Pressure Drop :	7.86 PSI 18.13 Ft(H2O)
Leaving Wet Bulb :	30.9 °F	Coil Face Area :	46.67 Sq. Ft

Electrical Summary Data

Unit Voltage :	480/3/60 V	Fan Motor & Ctrl MCA :	2.48 A
Heater MCA :	0.00 A	Fan Motor & Ctrl MOP :	15.00 A
Heater MOP :	0 A		
Control Voltage :	240/1/60 V		



Rev.	Date	Par/By	Description

2777, Grande-Allée
St-Hubert, Québec
CANADA, J4T 2R4
Tel: (450) 641-2665
Fax: (450) 923-5210
www.refplus.com

Modèle / Model : IND. WALK-IN COOLER & FREEZER	
LQ, DQ (A, E, G, H)	
Par / By : obenhafia	Date : 05/05/2020
Numéro Dessin / Drawing Number	Rev.
LQ001-02	

Copyright © 2012 Refplus Inc. Tous droits réservés. Toute reproduction de ces dessins sans l'autorisation écrite de Refplus inc. est strictement interdite. Refplus inc., ses filiales et représentants ne peuvent en aucun cas être tenus responsables pour tout dommage découlant de toute erreur ou omission dans les dessins, ou tout dommage relié aux dessins ou à l'utilisation de ceux-ci par votre compagnie, ses filiales ou ses représentants.

Copyright © 2012 Refplus inc. All rights reserved. Any reproduction, in whole or in part, of these drawings is strictly prohibited without the written consent of Refplus Inc. Refplus inc., its affiliates and representatives expressly disclaim any and all liability based on or relating to these drawings, or errors or omissions in same, or based on the use of these drawings by you, your affiliates or representatives.

Note:

À moins d'avis contraire, les dimensions sont en pouces / Unless otherwise specified, dimensions are in inches.

Tolérances / Tolerances
Frac: ± 1/8 Dec: --- Ang: ± 2°
Non à l'échelle / Not to scale



RefPlus Inc.
 2777, Grande-Allée
 St-Hubert, (QC), J4T 2R4
 Tél : (450) 641-2665
 Fax : (450) 641-4554

Quote #	Item #
160635-A	20

To :

FES Ohio
 Attn : Joe Rubino
 1725 Washington Road- Suite 302
 Pittsburgh, PA USA
 15241

Informations :

Project Name : Warabeya Ohio Commissary - All Bidding Contractors
Created : 04/19/2024
Created By : Joe Rubino
Last Change : 04/19/2024
Last Change By : Joe Rubino
Tel. : 412 595-8571 Ext. :
Cell : 412-580-5825
Fax :
E-mail :

jrubino@fesohio.com

ITEM #	TAG	DESCRIPTION	QTY	UNIT PRICE	TOTAL PRICE
20	Room # 159B, 161B	EJA-06200L-9W	4		

Total Capacity 25.32 mbh
 Sensible Capacity 24.64 mbh
 Main Voltage 480/3/60
 Cooling Mode
 FPI 4

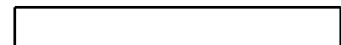
OPTIONS

Circuits - Standard 4
 Defrost type - Air defrost 4
 Motors speed - Standard low speed 4
 Air Throw - Standard 4
 Casing finish - Standard 4

ADDITIONAL ITEMS

Controller for EEV/TXV - Refplus Guardian+ factory installed 4

This quote is valid for 30 days. Prices are net. All applicable taxes extra.
 F.O.B plant in St-Hubert, Québec , Canada





RefPlus Inc.
 2777, Grande-Allée
 St-Hubert, (QC), J4T 2R4
 Tél : (450) 641-2665
 Fax : (450) 641-4554

Quote #	Item #
160635-A	20

EJA-06200L-9W

Tag : Room # 159B, 161B

General Informations

Heat Exchange Mode :	Cooling Mode	Row :	4	
Model Status :	Standard Catalog	Fins Per Inch :	4	
Entering Dry Bulb :	36.0 °F	Internal Volume :	0.68	Ft³
Entering Wet Bulb :	34.0 °F	Fluid Volume :	5.10	gal
Entering Liquid Temp :	26.0 °F	Unit Estimated Weight :	620.00	lbs
USGPM :	11.00	Options Added Weight :	0.00	lbs
Max Pressure Drop :	20 PSI	Total Estimated Weight :	620.00	lbs
Altitude :	0 Ft	Fluid Type :	Propylene Glycol (built in)	
Unit Type :	Medium industrial walk-in with Ziehl	Concentration :	30.00	%
	Abegg			
Defrost Type :	Air defrost			

Fan(s) Data

Fan Motor Type :	Two Speeds	Fan Arrangement :	1 X 2	
Fan Motor HP :	0.37 HP	Fan Motor Total FLA :	2.00	A
Fan Motor RPM :	1090 RPM			
Fan Motor FLA :	1.00 A			
Motor Speed For Selection :	Low Speed			

Coil(s) Data

Fins Per Inch :	4 FPI	Fin Material :	Aluminium	
Coil Quantity :	1	Fin Pattern :	F	
Connection(s) Quantity :	1	Connection Size In :	1" ø MPT	
Circuit Quantity :	8 (Standard)	Connection Size Out :	1" ø MPT	

Heater(s) Data

Heater Quantity In Coil :	0	Heater FLA :	0.00	A
Heater Quantity In Drain Pan :	0	Heater Total Power (Kw) :	0.00	Kw

Outputs

AIR SIDE

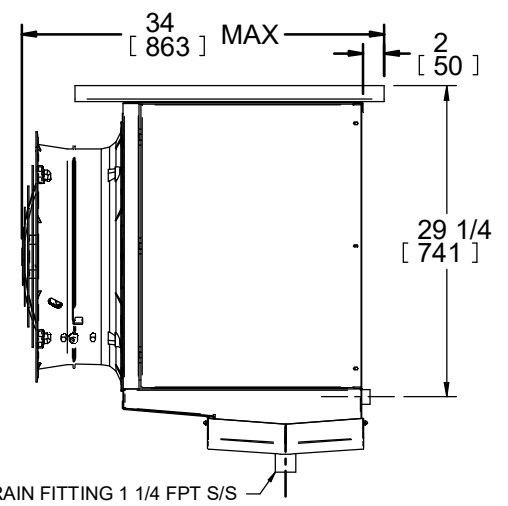
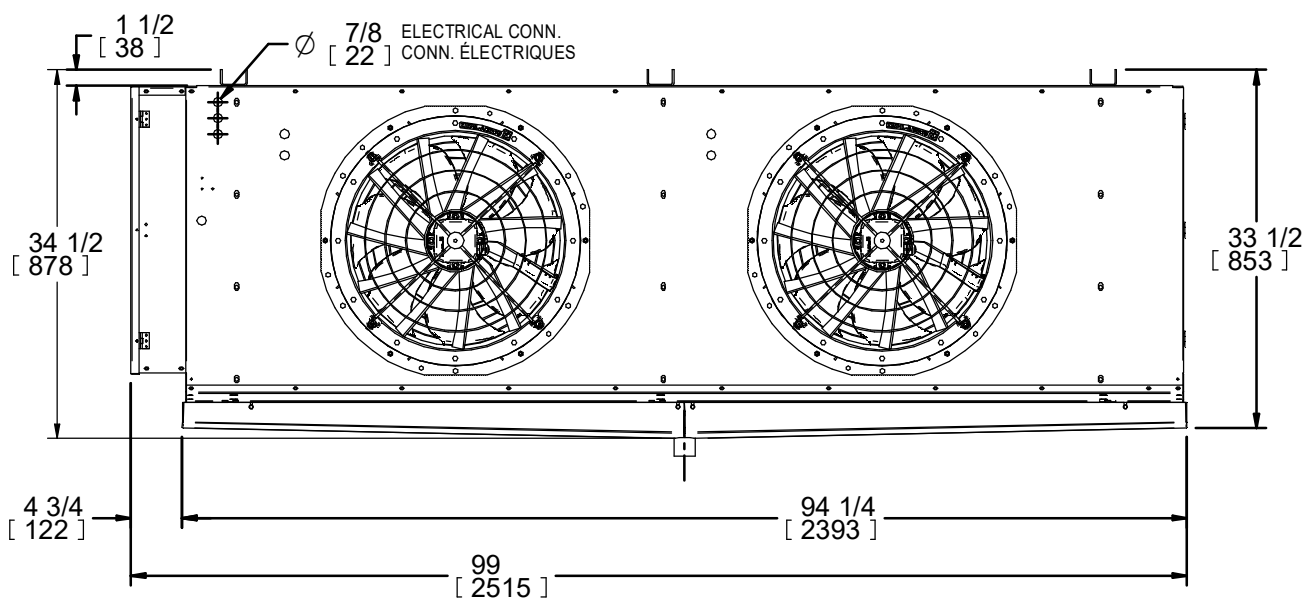
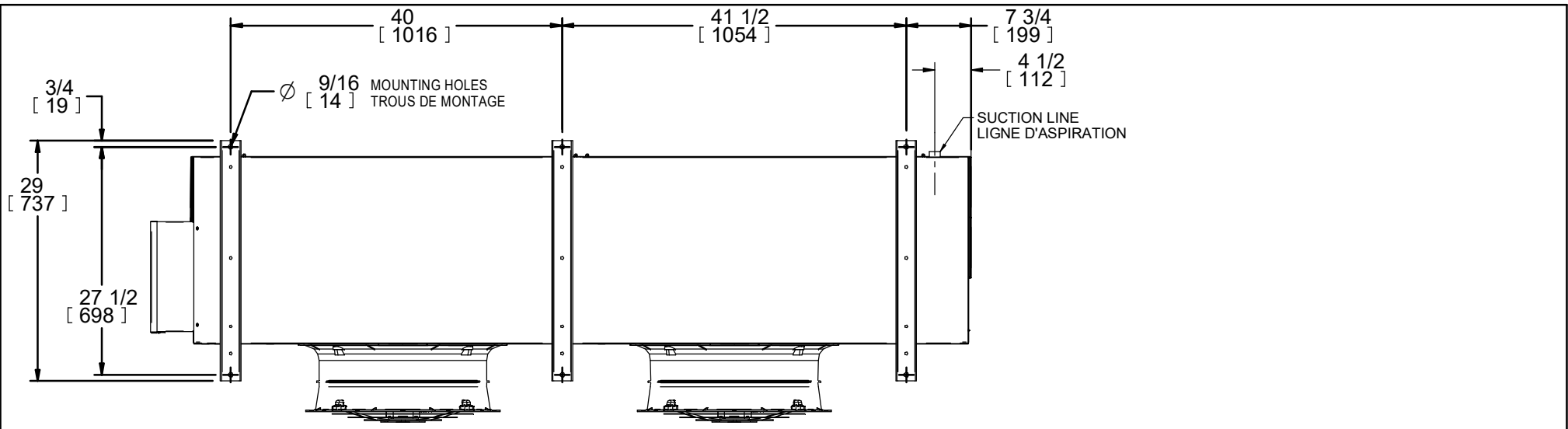
Total Heat :	25.324	mbh
Sensible Heat :	24.635	mbh
Latent Heat :	0.689	mbh
Leaving Dry Bulb :	33.4	°F
Leaving Wet Bulb :	32.4	°F

LIQUID SIDE

Leaving Liquid Temp :	30.8	°F
GPM :	11.0	
Liquid Velocity :	2.3	ft/sec
Liquid Pressure Drop :	6.42 PSI	14.81 Ft(H ₂ O)
Coil Face Area :	16.67	Sq. Ft

Electrical Summary Data

Unit Voltage :	480/3/60	V	Fan Motor & Ctrl MCA :	2.25	A
Heater MCA :	0.00	A	Fan Motor & Ctrl MOP :	15.00	A
Heater MOP :	0	A			
Control Voltage :	240/1/60	V			



Rev.	Date	Par/By	Description
A	22/11/19	OBH	CHANGEMENT DRAIN PAN DOUBLE PENTE & TRANSITION VERS SOLIDEDGE

REFPLUS

2777, Grande-Allée
St-Hubert, Québec
CANADA, J4T 2R4
Tel: (450) 641-2665
Fax: (450) 923-5210
www.refplus.com

Copyright © 2012 Refplus inc. Tous droits réservés. Toute reproduction de ces dessins sans l'autorisation écrite de Refplus inc. est strictement interdite. Refplus inc., ses filiales et représentants ne peuvent en aucun cas être tenus responsables pour tout dommage découlant de toute erreur ou omission dans les dessins, ou tout dommage relié aux dessins ou à l'utilisation de ceux-ci par votre compagnie, ses filiales ou ses représentants.

Copyright © 2012 Refplus inc. All rights reserved. Any reproduction, in whole or in part, of these drawings is strictly prohibited without the written consent of Refplus inc. Refplus inc., its affiliates and representatives expressly disclaim any and all liability based on or relating to these drawings, or errors or omissions in same, or based on the use of these drawings by you, your affiliates or representatives.

Note:

À moins d'avis contraire, les dimensions sont en pouces / Unless otherwise specified, dimensions are in inches.
Tolérances / Tolerances
Frac: ±1/8 Dec: --- Ang: ± 2°
Non à l'échelle / Not to scale

Modèle / Model : IND.WALK-IN COOLER	
EJ (A, E, G, H) ZIEHL-ABEGG 2 FANS	
Par / By : MC	Date : 13/04/2016
Numéro Dessin / Drawing Number	Rev. A



RefPlus Inc.
 2777, Grande-Allée
 St-Hubert, (QC), J4T 2R4
 Tél : (450) 641-2665
 Fax : (450) 641-4554

Quote #	Item #
160635-A	21

To :

FES Ohio
 Attn : Joe Rubino
 1725 Washington Road- Suite 302
 Pittsburgh, PA USA
 15241

Informations :

Project Name : Warabeya Ohio Commissary - All Bidding Contractors
Created : 04/19/2024
Created By : Joe Rubino
Last Change : 04/19/2024
Last Change By : Joe Rubino
Tel. : 412 595-8571 Ext. :
Cell : 412-580-5825
Fax :
E-mail :

jrubino@fesohio.com

ITEM #	TAG	DESCRIPTION	QTY	UNIT PRICE	TOTAL PRICE
21	Room # 160	EJA-05100L-9W	1		

Total Capacity 169.30 mbh
 Sensible Capacity 95.76 mbh
 Main Voltage 480/3/60
 Cooling Mode
 FPI 6 (Standard)

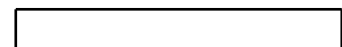
OPTIONS

Circuits - Custom 1
 Defrost type - Air defrost 1
 Motors speed - Standard low speed 1
 Air Throw - Standard 1
 Casing finish - Standard 1

ADDITIONAL ITEMS

Controller for EEV/TXV - Refplus Guardian+ factory installed 1

This quote is valid for 30 days. Prices are net. All applicable taxes extra.
 F.O.B plant in St-Hubert, Québec , Canada





RefPlus Inc.
 2777, Grande-Allée
 St-Hubert, (QC), J4T 2R4
 Tél : (450) 641-2665
 Fax : (450) 641-4554

Quote #	Item #
160635-A	21

EJA-05100L-9W

Tag : Room # 160

General Informations

Heat Exchange Mode :	Cooling Mode	Row :	3	
Model Status :	Standard Catalog	Fins Per Inch :	6	
Entering Dry Bulb :	65.0 °F	Internal Volume :	0.51	Ft³
Entering Wet Bulb :	60.0 °F	Fluid Volume :	3.82	gal
Entering Liquid Temp :	26.0 °F	Unit Estimated Weight :	595.00	lbs
USGPM :	76.00	Options Added Weight :	0.00	lbs
Max Pressure Drop :	20 PSI	Total Estimated Weight :	595.00	lbs
Altitude :	0 Ft	Fluid Type :	Propylene Glycol (built in)	
Unit Type :	Medium industrial walk-in with Ziehl	Concentration :	30.00	%
	Abegg			
Defrost Type :	Air defrost			

Fan(s) Data

Fan Motor Type :	Two Speeds	Fan Arrangement :	1 X 2	
Fan Motor HP :	0.37 HP	Fan Motor Total FLA :	2.00	A
Fan Motor RPM :	1090 RPM			
Fan Motor FLA :	1.00 A			
Motor Speed For Selection :	Low Speed			

Coil(s) Data

Fins Per Inch :	6 (Standard)	FPI	Fin Material :	Aluminium
Coil Quantity :	1		Fin Pattern :	F
Connection(s) Quantity :	1		Connection Size In :	2" ø MPT
Circuit Quantity :	30		Connection Size Out :	2" ø MPT

Heater(s) Data

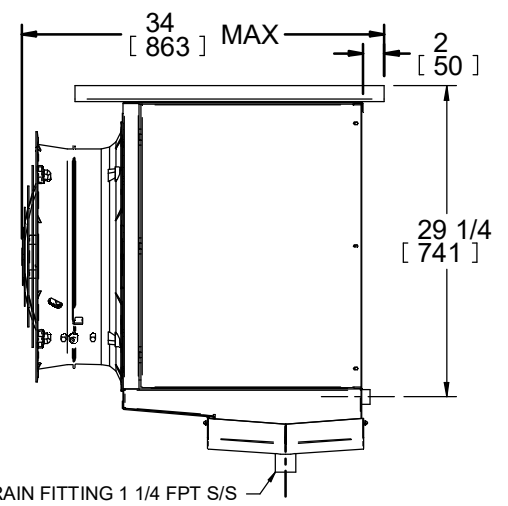
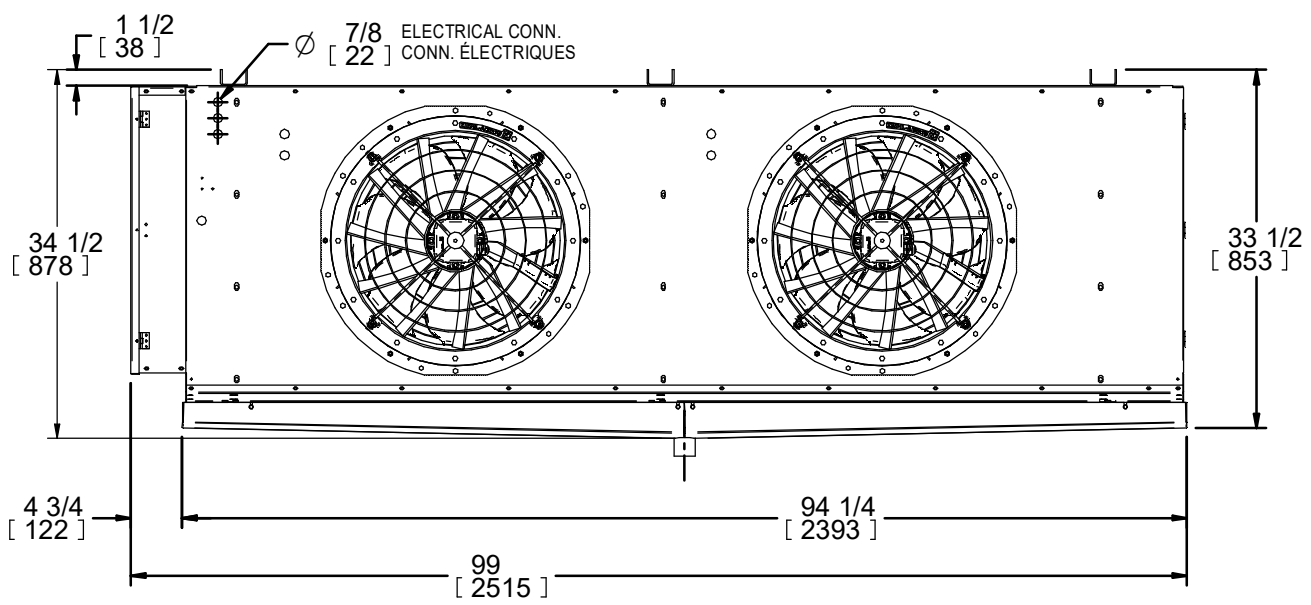
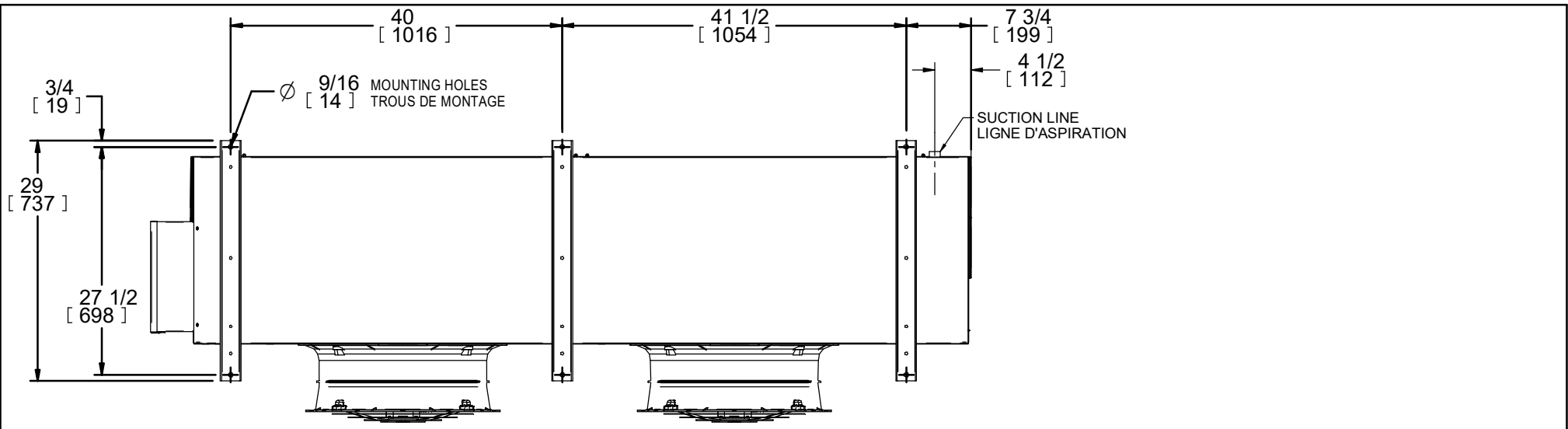
Heater Quantity In Coil :	0	Heater FLA :	0.00	A
Heater Quantity In Drain Pan :	0	Heater Total Power (Kw) :	0.00	Kw

Outputs

AIR SIDE			LIQUID SIDE		
Total Heat :	169.297	mbh	Leaving Liquid Temp :	30.7	°F
Sensible Heat :	95.759	mbh	GPM :	76.0	
Latent Heat :	73.538	mbh	Liquid Velocity :	4.3	ft/sec
Leaving Dry Bulb :	54.7	°F	Liquid Pressure Drop :	5.90 PSI	13.61 Ft(H ₂ O)
Leaving Wet Bulb :	53.2	°F	Coil Face Area :	16.67	Sq. Ft

Electrical Summary Data

Unit Voltage :	480/3/60	V	Fan Motor & Ctrl MCA :	2.25	A
Heater MCA :	0.00	A	Fan Motor & Ctrl MOP :	15.00	A
Heater MOP :	0	A			
Control Voltage :	240/1/60	V			



Rev.	Date	Par/By	Description
A	22/11/19	OBH	CHANGEMENT DRAIN PAN DOUBLE PENTE & TRANSITION VERS SOLIDEDGE

REFPLUS

2777, Grande-Allée
St-Hubert, Québec
CANADA, J4T 2R4
Tel: (450) 641-2665
Fax: (450) 923-5210
www.refplus.com

Copyright © 2012 Refplus inc. Tous droits réservés. Toute reproduction de ces dessins sans l'autorisation écrite de Refplus inc. est strictement interdite. Refplus inc., ses filiales et représentants ne peuvent en aucun cas être tenus responsables pour tout dommage découlant de toute erreur ou omission dans les dessins, ou tout dommage relié aux dessins ou à l'utilisation de ceux-ci par votre compagnie, ses filiales ou ses représentants.

Copyright © 2012 Refplus inc. All rights reserved. Any reproduction, in whole or in part, of these drawings is strictly prohibited without the written consent of Refplus inc. Refplus inc., its affiliates and representatives expressly disclaim any and all liability based on or relating to these drawings, or errors or omissions in same, or based on the use of these drawings by you, your affiliates or representatives.

Note:

À moins d'avis contraire, les dimensions sont en pouces / Unless otherwise specified, dimensions are in inches.
Tolérances / Tolerances
Frac: ±1/8 Dec: --- Ang: ± 2°
Non à l'échelle / Not to scale

Modèle / Model : IND.WALK-IN COOLER	
EJ (A, E, G, H) ZIEHL-ABEGG 2 FANS	
Par / By : MC	Date : 13/04/2016
Numéro Dessin / Drawing Number	Rev. A



RefPlus Inc.
 2777, Grande-Allée
 St-Hubert, (QC), J4T 2R4
 Tél : (450) 641-2665
 Fax : (450) 641-4554

Quote #	Item #
160635-A	22

To :

FES Ohio
 Attn : Joe Rubino
 1725 Washington Road- Suite 302
 Pittsburgh, PA USA
 15241

Informations :

Project Name : Warabeya Ohio Commissary - All Bidding Contractors
Created : 04/19/2024
Created By : Joe Rubino
Last Change : 04/19/2024
Last Change By : Joe Rubino
Tel. : 412 595-8571 Ext. :
Cell : 412-580-5825
Fax :
E-mail :

jrubino@fesohio.com

ITEM #	TAG	DESCRIPTION	QTY	UNIT PRICE	TOTAL PRICE
22	Room # 160A	EJA-02500L-9W	1		

Total Capacity 92.42 mbh
 Sensible Capacity 49.21 mbh
 Main Voltage 480/3/60
 Cooling Mode
 FPI 4

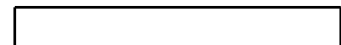
OPTIONS

Circuits - Custom 1
 Defrost type - Air defrost 1
 Motors speed - Standard low speed 1
 Air Throw - Standard 1
 Casing finish - Standard 1

ADDITIONAL ITEMS

Controller for EEV/TXV - Refplus Guardian+ factory installed 1

This quote is valid for 30 days. Prices are net. All applicable taxes extra.
 F.O.B plant in St-Hubert, Québec , Canada





RefPlus Inc.
 2777, Grande-Allée
 St-Hubert, (QC), J4T 2R4
 Tél : (450) 641-2665
 Fax : (450) 641-4554

Quote #	Item #
160635-A	22

EJA-02500L-9W

Tag : Room # 160A

General Informations

Heat Exchange Mode :	Cooling Mode	Row :	3
Model Status :	Standard Catalog	Fins Per Inch :	4
Entering Dry Bulb :	65.0 °F	Internal Volume :	0.27 Ft³
Entering Wet Bulb :	60.0 °F	Fluid Volume :	2.02 gal
Entering Liquid Temp :	26.0 °F	Unit Estimated Weight :	370.00 lbs
Leaving Liquid Temp :	31.2 °F	Options Added Weight :	0.00 lbs
Max Pressure Drop :	20 PSI	Total Estimated Weight :	370.00 lbs
Altitude :	0 Ft	Fluid Type :	Propylene Glycol (built in)
Unit Type :	Medium industrial walk-in with Ziehl Abegg	Concentration :	30.00 %
Defrost Type :	Air defrost		

Fan(s) Data

Fan Motor Type :	Two Speeds	Fan Arrangement :	1 X 1
Fan Motor HP :	0.37 HP	Fan Motor Total FLA :	1.00 A
Fan Motor RPM :	1090 RPM		
Fan Motor FLA :	1.00 A		
Motor Speed For Selection :	Low Speed		

Coil(s) Data

Fins Per Inch :	4 FPI	Fin Material :	Aluminium
Coil Quantity :	1	Fin Pattern :	F
Connection(s) Quantity :	1	Connection Size In :	1.5" ø MPT
Circuit Quantity :	10	Connection Size Out :	1.5" ø MPT

Heater(s) Data

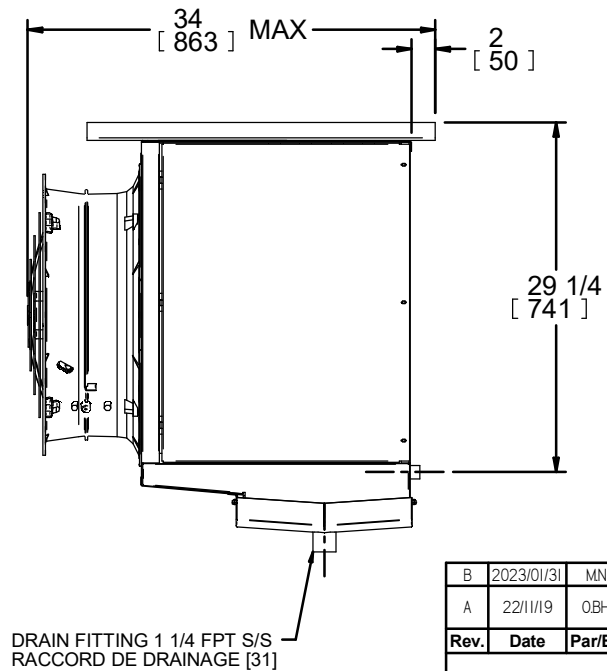
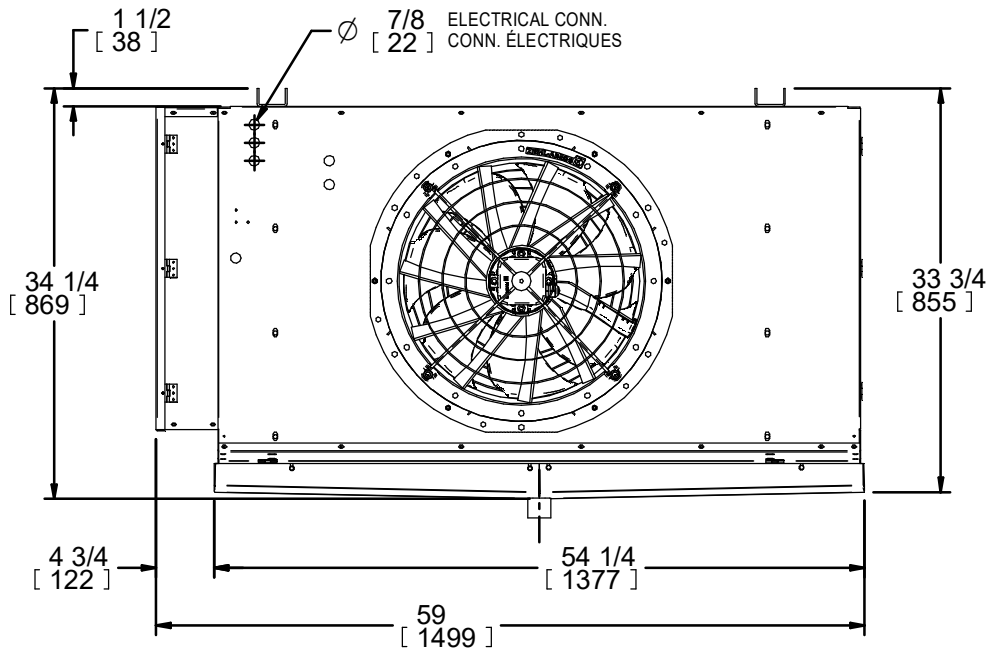
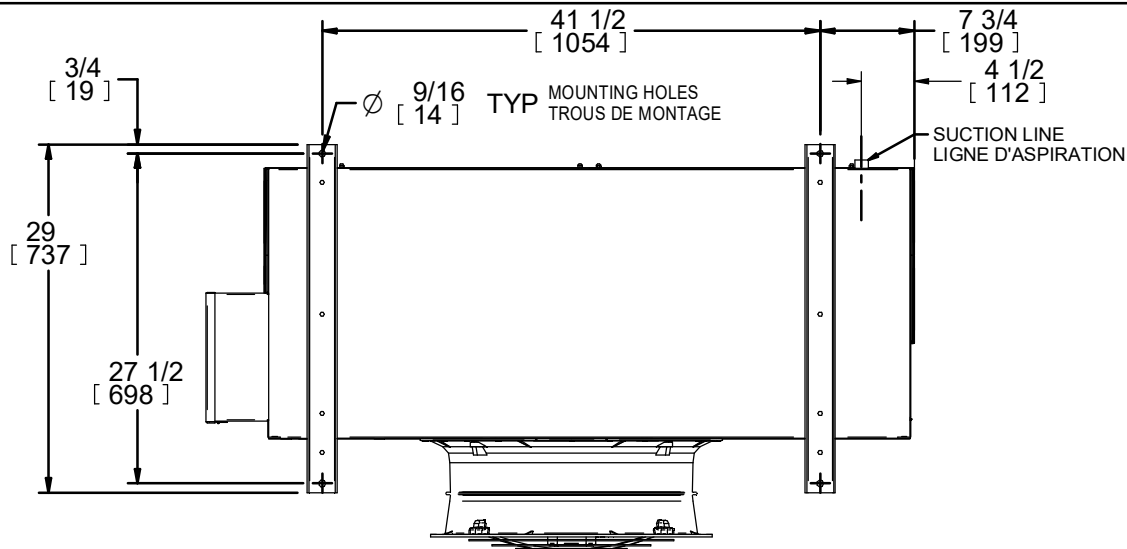
Heater Quantity In Coil :	0	Heater FLA :	0.00 A
Heater Quantity In Drain Pan :	0	Heater Total Power (Kw) :	0.00 Kw

Outputs

AIR SIDE		LIQUID SIDE	
Total Heat :	92.417 mbh	Leaving Liquid Temp :	31.2 °F
Sensible Heat :	49.211 mbh	GPM :	37.1
Latent Heat :	43.206 mbh	Liquid Velocity :	6.3 ft/sec
Leaving Dry Bulb :	54.5 °F	Liquid Pressure Drop :	13.81 PSI 31.86 Ft(H2O)
Leaving Wet Bulb :	52.5 °F	Coil Face Area :	8.33 Sq. Ft

Electrical Summary Data

Unit Voltage :	480/3/60 V	Fan Motor & Ctrl MCA :	1.25 A
Heater MCA :	0.00 A	Fan Motor & Ctrl MOP :	15.00 A
Heater MOP :	0 A		
Control Voltage :	240/1/60 V		



B	2023/01/31	MN	MISE À JOUR
A	22/11/19	OBH	CHANGEMENT DRAIN PAN DOUBLE PENTE & TRANSITION VERS SOLIDEDGE
Rev.	Date	Par/By	Description



2777, Grande-Allée
 St-Hubert, Québec
 CANADA, J4T 2R4
 Tel: (450) 641-2665
 Fax: (450) 923-5210
 www.refplus.com

Copyright © 2012 Refplus inc. Tous droits réservés. Toute reproduction de ces dessins sans l'autorisation écrite de Refplus inc. est strictement interdite. Refplus inc., ses filiales et représentants ne peuvent en aucun cas être tenus responsables pour tout dommage découlant de toute erreur ou omission dans les dessins, ou tout dommage relié aux dessins ou à l'utilisation de ceux-ci par votre compagnie, ses filiales ou ses représentants.

Copyright © 2012 Refplus inc. All rights reserved. Any reproduction, in whole or in part, of these drawings is strictly prohibited without the written consent of Refplus inc. Refplus inc., its affiliates and representatives expressly disclaim any and all liability based on or relating to these drawings, or errors or omissions in same, or based on the use of these drawings by you, your affiliates or representatives.

Note:

À moins d'avis contraire, les dimensions sont en pouces / Unless otherwise specified, dimensions are in inches.
 Tolérances / Tolerances
 Frac: ±1/8 Dec: --- Ang: ± 2°
 Non à l'échelle / Not to scale

Modèle / Model : IND. WALK-IN COOLER	
EJ IA, E, G, HI - ZIEHL ABEGG I FAN	
Par / By : MC	Date : 13/04/2016
Numéro Dessin / Drawing Number	Rev. B



RefPlus Inc.
 2777, Grande-Allée
 St-Hubert, (QC), J4T 2R4
 Tél : (450) 641-2665
 Fax : (450) 641-4554

Quote #	Item #
160635-A	23

To :

FES Ohio
 Attn : Joe Rubino
 1725 Washington Road- Suite 302
 Pittsburgh, PA USA
 15241

Informations :

Project Name : Warabeya Ohio Commissary - All Bidding Contractors
Created : 04/19/2024
Created By : Joe Rubino
Last Change : 04/19/2024
Last Change By : Joe Rubino
Tel. : 412 595-8571 Ext. :
Cell : 412-580-5825
Fax :
E-mail :

jrubino@fesohio.com

ITEM #	TAG	DESCRIPTION	QTY	UNIT PRICE	TOTAL PRICE
23	Room # 173, 162A	EQA-39200-9W	6		

Total Capacity 164.85 mbh
 Sensible Capacity 160.64 mbh
 Main Voltage 480/3/60
 Cooling Mode
 FPI 4

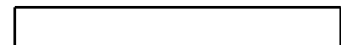
OPTIONS

Circuits - Custom 6
 Defrost type - Air defrost 6
 Electronic commutated motor - Variable 0-10V (controlled by other) 6
 Air Throw - Standard 6
 Casing finish - Standard 6

ADDITIONAL ITEMS

Controller for EEV/TXV - Refplus Guardian+ factory installed 6

This quote is valid for 30 days. Prices are net. All applicable taxes extra.
 F.O.B plant in St-Hubert, Québec , Canada





RefPlus Inc.
 2777, Grande-Allée
 St-Hubert, (QC), J4T 2R4
 Tél : (450) 641-2665
 Fax : (450) 641-4554

Quote #	Item #
160635-A	23

EQA-39200-9W

Tag : Room # 173, 162A

General Informations

Heat Exchange Mode :	Cooling Mode	Row :	6
Model Status :	Standard Catalog	Fins Per Inch :	4
Entering Dry Bulb :	36.0 °F	Internal Volume :	4.94 Ft³
Entering Wet Bulb :	34.0 °F	Fluid Volume :	36.95 gal
Entering Liquid Temp :	26.0 °F	Unit Estimated Weight :	2,450.00 lbs
USGPM :	70.00	Options Added Weight :	0.00 lbs
Max Pressure Drop :	20 PSI	Total Estimated Weight :	2,450.00 lbs
Altitude :	0 Ft	Fluid Type :	Propylene Glycol (built in)
Unit Type :	Large industrial walk-in with Ziehl Abegg	Concentration :	30.00 %
Defrost Type :	Air defrost		

Fan(s) Data

	Fan Arrangement :	1 X 5
	Fan Motor Total FLA :	16.00 A
	Opt. Fan Motor Qty :	5
Motor Speed For Selection :	High Speed	
Opt. Fan Motor Type :	ECM 0-10V	
Opt. Fan Motor HP (HS) :	3.20 hp	
Opt. Fan Motor RPM (HS) :	950 RPM	
Opt. Fan Motor FLA (HS) :	3.20 A	

Coil(s) Data

Fins Per Inch :	4 FPI	Fin Material :	Aluminium
Coil Quantity :	1	Fin Pattern :	F
Connection(s) Quantity :	2	Connection Size In :	2" ø MPT
Circuit Quantity :	40	Connection Size Out :	2" ø MPT

Heater(s) Data

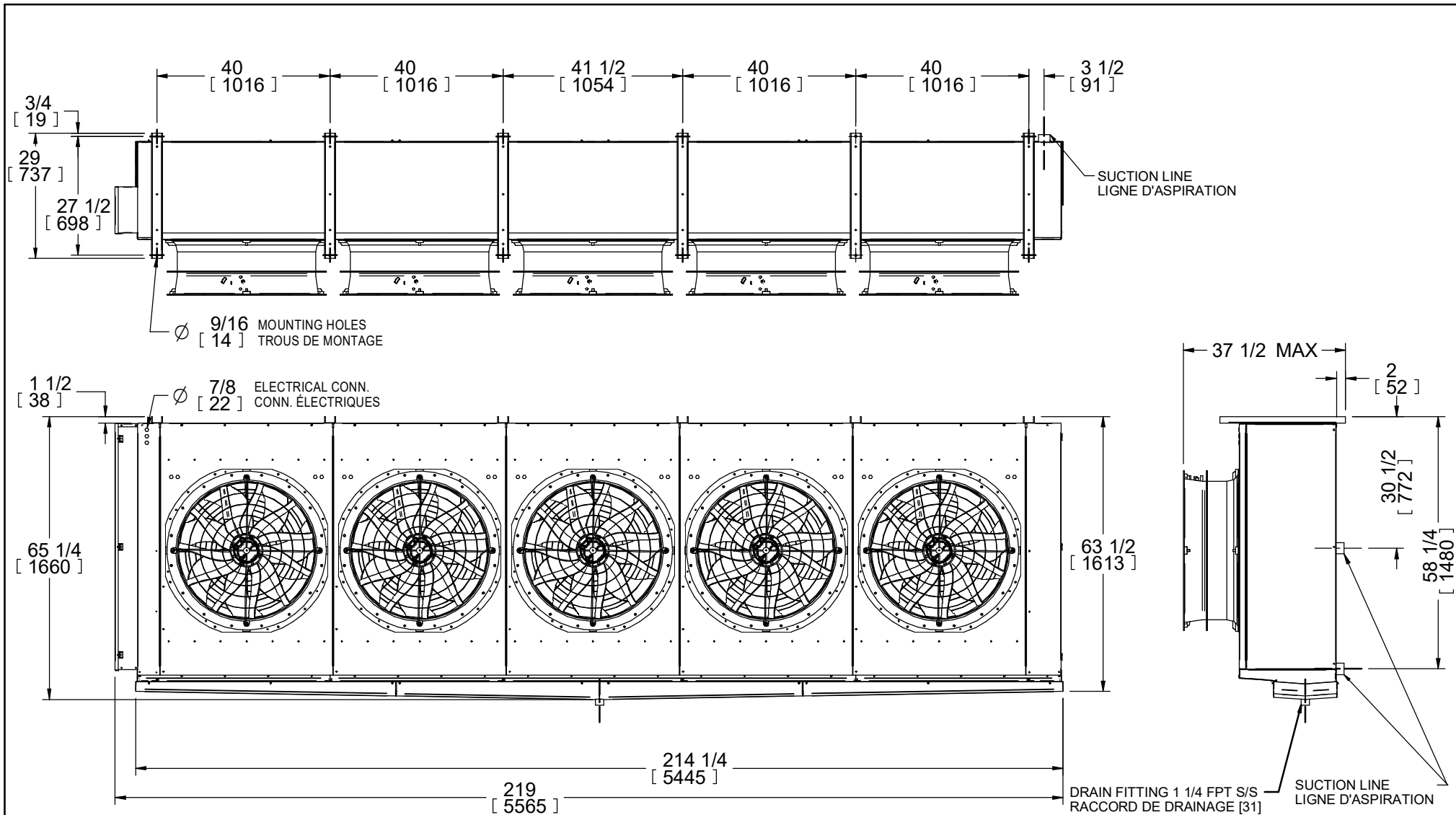
Heater Quantity In Coil :	0	Heater FLA :	0.00 A
Heater Quantity In Drain Pan :	0	Heater Total Power (Kw) :	0.00 Kw

Outputs

AIR SIDE		LIQUID SIDE	
Total Heat :	164.853 mbh	Leaving Liquid Temp :	30.9 °F
Sensible Heat :	160.638 mbh	GPM :	70.0
Latent Heat :	4.215 mbh	Liquid Velocity :	3.0 ft/sec
Leaving Dry Bulb :	32.7 °F	Liquid Pressure Drop :	11.71 PSI 27.01 Ft(H2O)
Leaving Wet Bulb :	32.0 °F	Coil Face Area :	83.33 Sq. Ft

Electrical Summary Data

Unit Voltage :	480/3/60 V	Fan Motor & Ctrl MCA :	16.80 A
Heater MCA :	0.00 A	Fan Motor & Ctrl MOP :	20.00 A
Heater MOP :	0 A		
Control Voltage :	240/1/60 V		



Rev.	Date	Par/By	Description
			 2777, Grande-Allée St-Hubert, Québec CANADA, J4T 2R4 Tel: (450) 641-2665 Fax: (450) 923-5210 www.refplus.com

Copyright © 2012 Refplus inc. Tous droits réservés. Toute reproduction de ces dessins sans l'autorisation écrite de Refplus inc. est strictement interdite. Refplus inc., ses filiales et représentants ne peuvent en aucun cas être tenus responsables pour tout dommage découlant de toute erreur ou omission dans les dessins, ou tout dommage relié aux dessins ou à l'utilisation de ceux-ci par votre compagnie, ses filiales ou ses représentants.

Copyright © 2012 Refplus inc. All rights reserved. Any reproduction, in whole or in part, of these drawings is strictly prohibited without the written consent of Refplus inc. Refplus inc., its affiliates and representatives expressly disclaim any and all liability based on or relating to these drawings, or errors or omissions in same, or based on the use of these drawings by you, your affiliates or representatives.

Note:

À moins d'avis contraire, les dimensions sont en pouces / Unless otherwise specified, dimensions are in inches.
 Tolérances / Tolerances
 Frac: ±1/8 Dec: --- Ang: ± 2°
 Non à l'échelle / Not to scale

Modèle / Model : IND. WALK-IN COOLER	
EQ IA, E, G, HI - EX IA, E, G, HI 5 FANS	
Par / By : obenhafsia	Date : 03/05/2016
Numéro Dessin / Drawing Number	Rev.
EQ10013	



RefPlus Inc.
 2777, Grande-Allée
 St-Hubert, (QC), J4T 2R4
 Tél : (450) 641-2665
 Fax : (450) 641-4554

Quote #	Item #
160635-A	24

To :

FES Ohio
 Attn : Joe Rubino
 1725 Washington Road- Suite 302
 Pittsburgh, PA USA
 15241

Informations :

Project Name : Warabeya Ohio Commissary - All Bidding Contractors
Created : 04/19/2024
Created By : Joe Rubino
Last Change : 04/19/2024
Last Change By : Joe Rubino
Tel. : 412 595-8571 Ext. :
Cell : 412-580-5825
Fax :
E-mail :

jrubino@fesohio.com

ITEM #	TAG	DESCRIPTION	QTY	UNIT PRICE	TOTAL PRICE
24	Room #, 162B	EJA-07400L-9W	2		

Total Capacity 37.69 mbh
 Sensible Capacity 34.90 mbh
 Main Voltage 480/3/60
 Cooling Mode
 FPI 5

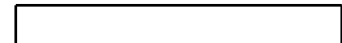
OPTIONS

Circuits - Standard 2
 Defrost type - Air defrost 2
 Motors speed - Standard low speed 2
 Air Throw - Standard 2
 Casing finish - Standard 2

ADDITIONAL ITEMS

Controller for EEV/TXV - Refplus Guardian+ factory installed 2

This quote is valid for 30 days. Prices are net. All applicable taxes extra.
 F.O.B plant in St-Hubert, Québec , Canada





RefPlus Inc.
 2777, Grande-Allée
 St-Hubert, (QC), J4T 2R4
 Tél : (450) 641-2665
 Fax : (450) 641-4554

Quote #	Item #
160635-A	24

EJA-07400L-9W

Tag : Room #, 162B

General Informations

Heat Exchange Mode :	Cooling Mode	Row :	6
Model Status :	Standard Catalog	Fins Per Inch :	5
Entering Dry Bulb :	36.0 °F	Internal Volume :	1.02 Ft³
Entering Wet Bulb :	34.0 °F	Fluid Volume :	7.65 gal
Entering Liquid Temp :	26.0 °F	Unit Estimated Weight :	660.00 lbs
USGPM :	16.00	Options Added Weight :	0.00 lbs
Max Pressure Drop :	20 PSI	Total Estimated Weight :	660.00 lbs
Altitude :	0 Ft	Fluid Type :	Propylene Glycol (built in)
Unit Type :	Medium industrial walk-in with Ziehl	Concentration :	30.00 %
	Abegg		
Defrost Type :	Air defrost		

Fan(s) Data

Fan Motor Type :	Two Speeds	Fan Arrangement :	1 X 2
Fan Motor HP :	0.37 HP	Fan Motor Total FLA :	2.00 A
Fan Motor RPM :	1090 RPM		
Fan Motor FLA :	1.00 A		
Motor Speed For Selection :	Low Speed		

Coil(s) Data

Fins Per Inch :	5 FPI	Fin Material :	Aluminium
Coil Quantity :	1	Fin Pattern :	F
Connection(s) Quantity :	1	Connection Size In :	1" ø MPT
Circuit Quantity :	10 (Standard)	Connection Size Out :	1" ø MPT

Heater(s) Data

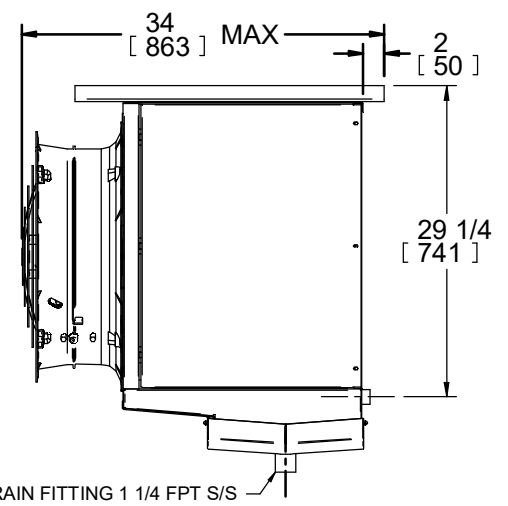
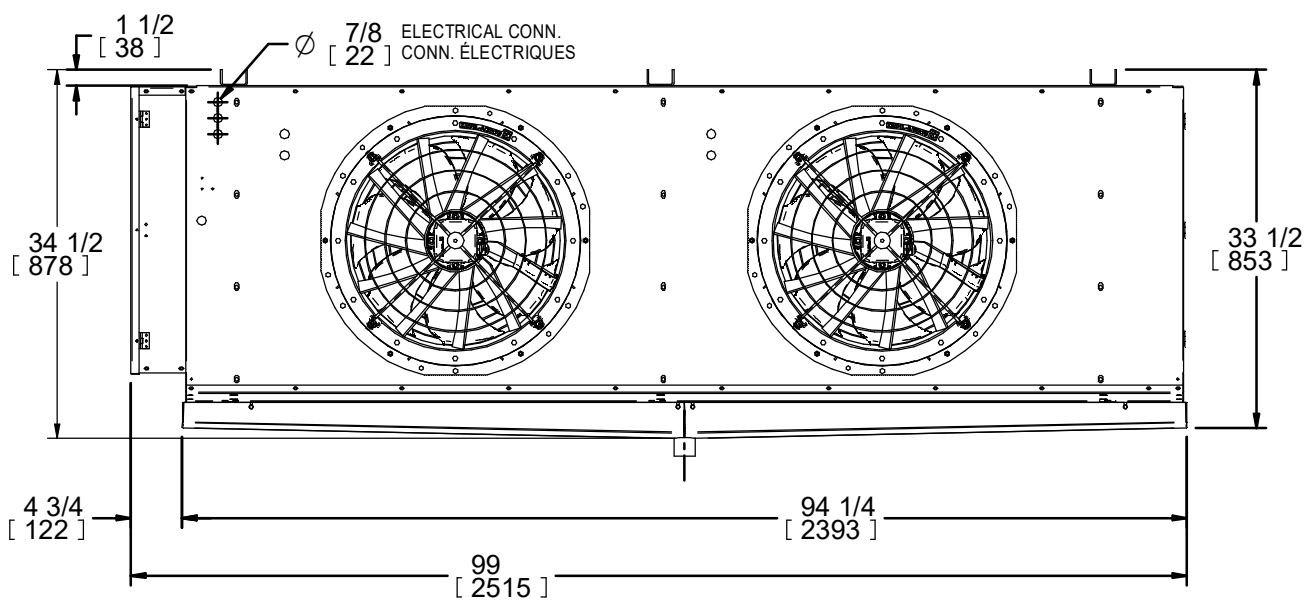
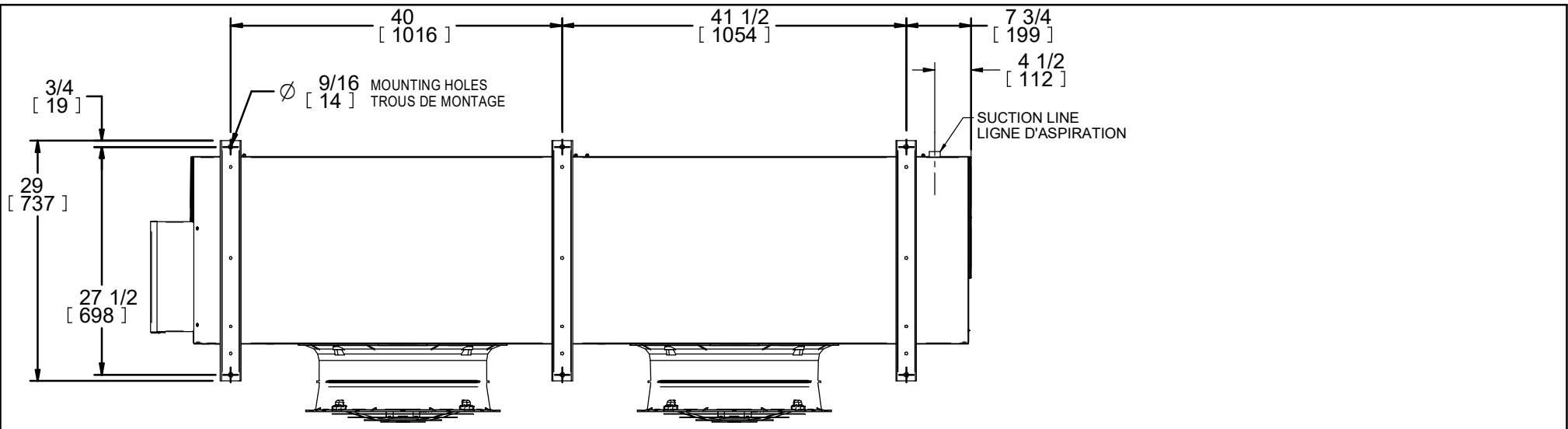
Heater Quantity In Coil :	0	Heater FLA :	0.00 A
Heater Quantity In Drain Pan :	0	Heater Total Power (Kw) :	0.00 Kw

Outputs

AIR SIDE		LIQUID SIDE	
Total Heat :	37.690 mbh	Leaving Liquid Temp :	30.9 °F
Sensible Heat :	34.899 mbh	GPM :	16.0
Latent Heat :	2.791 mbh	Liquid Velocity :	2.7 ft/sec
Leaving Dry Bulb :	32.0 °F	Liquid Pressure Drop :	10.46 PSI 24.13 Ft(H2O)
Leaving Wet Bulb :	31.4 °F	Coil Face Area :	16.67 Sq. Ft

Electrical Summary Data

Unit Voltage :	480/3/60	V	Fan Motor & Ctrl MCA :	2.25	A
Heater MCA :	0.00	A	Fan Motor & Ctrl MOP :	15.00	A
Heater MOP :	0	A			
Control Voltage :	240/1/60	V			



Rev.	Date	Par/By	Description
A	22/11/19	OBH	CHANGEMENT DRAIN PAN DOUBLE PENTE & TRANSITION VERS SOLIDEDGE

REFPLUS

2777, Grande-Allée
St-Hubert, Québec
CANADA, J4T 2R4
Tel: (450) 641-2665
Fax: (450) 923-5210
www.refplus.com

Copyright © 2012 Refplus inc. Tous droits réservés. Toute reproduction de ces dessins sans l'autorisation écrite de Refplus inc. est strictement interdite. Refplus inc., ses filiales et représentants ne peuvent en aucun cas être tenus responsables pour tout dommage découlant de toute erreur ou omission dans les dessins, ou tout dommage relié aux dessins ou à l'utilisation de ceux-ci par votre compagnie, ses filiales ou ses représentants.

Copyright © 2012 Refplus inc. All rights reserved. Any reproduction, in whole or in part, of these drawings is strictly prohibited without the written consent of Refplus inc. Refplus inc., its affiliates and representatives expressly disclaim any and all liability based on or relating to these drawings, or errors or omissions in same, or based on the use of these drawings by you, your affiliates or representatives.

Note:

À moins d'avis contraire, les dimensions sont en pouces / Unless otherwise specified, dimensions are in inches.
Tolérances / Tolerances
Frac: ±1/8 Dec: --- Ang: ± 2°
Non à l'échelle / Not to scale

Modèle / Model : IND.WALK-IN COOLER	
EJ (A, E, G, H) ZIEHL-ABEGG 2 FANS	
Par / By : MC	Date : 13/04/2016
Numéro Dessin / Drawing Number	Rev. A



RefPlus Inc.
 2777, Grande-Allée
 St-Hubert, (QC), J4T 2R4
 Tél : (450) 641-2665
 Fax : (450) 641-4554

Quote #	Item #
160635-A	25

To :

FES Ohio
 Attn : Joe Rubino
 1725 Washington Road- Suite 302
 Pittsburgh, PA USA
 15241

Informations :

Project Name : Warabeya Ohio Commissary - All Bidding Contractors
Created : 04/19/2024
Created By : Joe Rubino
Last Change : 04/19/2024
Last Change By : Joe Rubino
Tel. : 412 595-8571 Ext. :
Cell : 412-580-5825
Fax :
E-mail :

jrubino@fesohio.com

ITEM #	TAG	DESCRIPTION	QTY	UNIT PRICE	TOTAL PRICE
25	Room # 177	EQA-23600-9W	8		

Total Capacity 101.52 mbh
 Sensible Capacity 97.92 mbh
 Main Voltage 480/3/60
 Cooling Mode
 FPI 4

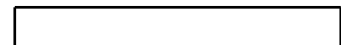
OPTIONS

Circuits - Custom 8
 Defrost type - Air defrost 8
 Electronic commutated motor - Variable 0-10V (controlled by other) 8
 Air Throw - Standard 8
 Casing finish - Standard 8

ADDITIONAL ITEMS

Controller for EEV/TXV - Refplus Guardian+ factory installed 8

This quote is valid for 30 days. Prices are net. All applicable taxes extra.
 F.O.B plant in St-Hubert, Québec , Canada





RefPlus Inc.
 2777, Grande-Allée
 St-Hubert, (QC), J4T 2R4
 Tél : (450) 641-2665
 Fax : (450) 641-4554

Quote #	Item #
160635-A	25

EQA-23600-9W

Tag : Room # 177

General Informations

Heat Exchange Mode :	Cooling Mode	Row :	6	
Model Status :	Standard Catalog	Fins Per Inch :	4	
Entering Dry Bulb :	36.0 °F	Internal Volume :	3.01	Ft³
Entering Wet Bulb :	34.0 °F	Fluid Volume :	22.52	gal
Entering Liquid Temp :	26.0 °F	Unit Estimated Weight :	1,705.00	lbs
USGPM :	43.00	Options Added Weight :	0.00	lbs
Max Pressure Drop :	20 PSI	Total Estimated Weight :	1,705.00	lbs
Altitude :	0 Ft	Fluid Type :	Propylene Glycol (built in)	
Unit Type :	Large industrial walk-in with Ziehl Abegg	Concentration :	30.00	%
Defrost Type :	Air defrost			

Fan(s) Data

Fan Arrangement :	1 X 3	
Fan Motor Total FLA :	9.60	A
Opt. Fan Motor Qty :	3	

Motor Speed For Selection :	High Speed
Opt. Fan Motor Type :	ECM 0-10V
Opt. Fan Motor HP (HS) :	3.20 hp
Opt. Fan Motor RPM (HS) :	950 RPM
Opt. Fan Motor FLA (HS) :	3.20 A

Coil(s) Data

Fins Per Inch :	4 FPI	Fin Material :	Aluminium
Coil Quantity :	1	Fin Pattern :	F
Connection(s) Quantity :	1	Connection Size In :	2" ø MPT
Circuit Quantity :	30	Connection Size Out :	2" ø MPT

Heater(s) Data

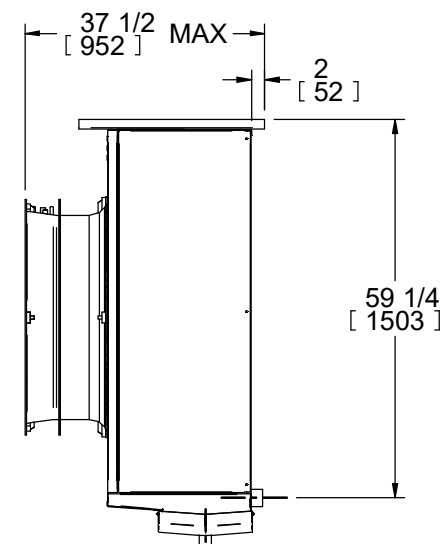
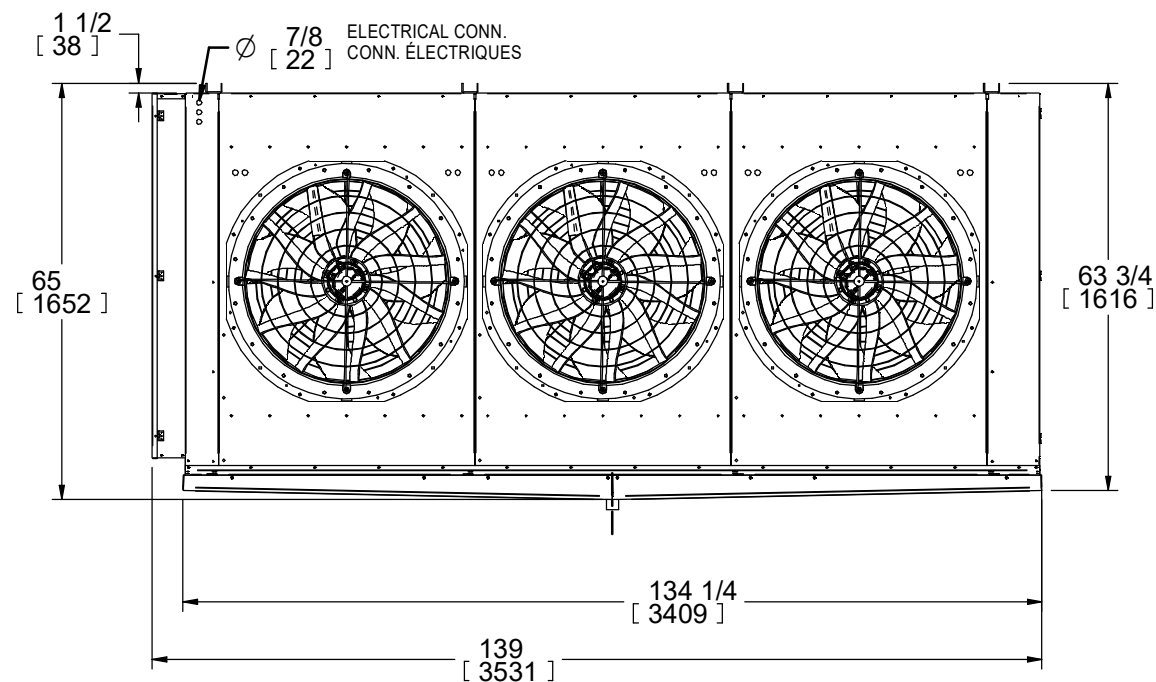
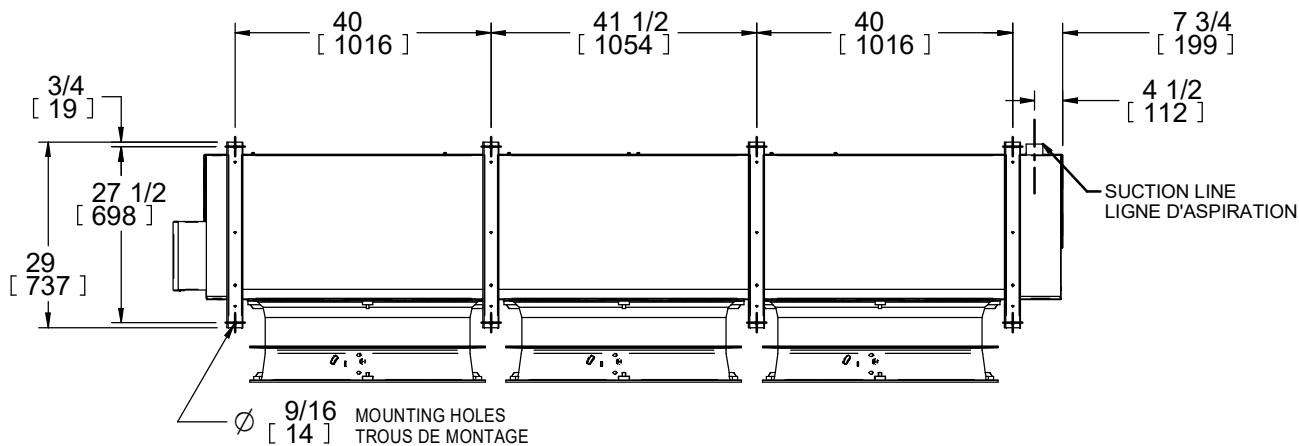
Heater Quantity In Coil :	0	Heater FLA :	0.00 A
Heater Quantity In Drain Pan :	0	Heater Total Power (Kw) :	0.00 Kw

Outputs

AIR SIDE		LIQUID SIDE	
Total Heat :	101.522 mbh	Leaving Liquid Temp :	30.9 °F
Sensible Heat :	97.917 mbh	GPM :	43.0
Latent Heat :	3.605 mbh	Liquid Velocity :	2.4 ft/sec
Leaving Dry Bulb :	32.6 °F	Liquid Pressure Drop :	6.68 PSI 15.41 Ft(H2O)
Leaving Wet Bulb :	31.9 °F	Coil Face Area :	50.00 Sq. Ft

Electrical Summary Data

Unit Voltage :	480/3/60 V	Fan Motor & Ctrl MCA :	10.40 A
Heater MCA :	0.00 A	Fan Motor & Ctrl MOP :	15.00 A
Heater MOP :	0 A		
Control Voltage :	240/1/60 V		



C	03/31/2023	MN	MISE À JOUR
B	08/01/2020	OBH	AGRANDIR LA BOÎTE ÉLECTRIQUE
A	12/12/2019	OBH	TRANSITION VERS SOLIDEDGE
Rev.	Date	Par/By	Description



2777, Grande-Allée
St-Hubert, Québec
CANADA, J4T 2R4
Tel: (450) 641-2665
Fax: (450) 923-5210
www.refplus.com

Copyright © 2012 Refplus inc. Tous droits réservés. Toute reproduction de ces dessins sans l'autorisation écrite de Refplus inc. est strictement interdite. Refplus inc., ses filiales et représentants ne peuvent en aucun cas être tenus responsables pour tout dommage découlant de toute erreur ou omission dans les dessins, ou tout dommage relié aux dessins ou à l'utilisation de ceux-ci par votre compagnie, ses filiales ou ses représentants.

Copyright © 2012 Refplus inc. All rights reserved. Any reproduction, in whole or in part, of these drawings is strictly prohibited without the written consent of Refplus inc. Refplus inc., its affiliates and representatives expressly disclaim any and all liability based on or relating to these drawings, or errors or omissions in same, or based on the use of these drawings by you, your affiliates or representatives.

Note:

À moins d'avis contraire, les dimensions sont en pouces / Unless otherwise specified, dimensions are in inches.

Tolérances / Tolerances

Frac: ±1/8 Dec: --- Ang: ±2°

Non à l'échelle / Not to scale

Modèle / Model: IND. WALK-IN COOLER
EQ (A, E, G, HI - EX IA, E, G, HI 3 FANS

Par / By: MC Date: 02/05/2016

Número Dessin / Drawing Number EQ10003 Rev. C



RefPlus Inc.
 2777, Grande-Allée
 St-Hubert, (QC), J4T 2R4
 Tél : (450) 641-2665
 Fax : (450) 641-4554

Quote #	Item #
160635-A	26

To :

FES Ohio
 Attn : Joe Rubino
 1725 Washington Road- Suite 302
 Pittsburgh, PA USA
 15241

Informations :

Project Name : Warabeya Ohio Commissary - All Bidding Contractors
Created : 04/19/2024
Created By : Joe Rubino
Last Change : 04/19/2024
Last Change By : Joe Rubino
Tel. : 412 595-8571 Ext. :
Cell : 412-580-5825
Fax :
E-mail :

jrubino@fesohio.com

ITEM #	TAG	DESCRIPTION	QTY	UNIT PRICE	TOTAL PRICE
26	Room # 180	EJA-03700L-9W	3		

Total Capacity 116.15 mbh
 Sensible Capacity 62.62 mbh
 Main Voltage 480/3/60
 Cooling Mode
 FPI 4

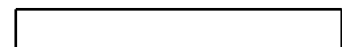
OPTIONS

Circuits - Custom 3
 Defrost type - Air defrost 3
 Motors speed - Standard low speed 3
 Air Throw - Standard 3
 Casing finish - Standard 3

ADDITIONAL ITEMS

Controller for EEV/TXV - Refplus Guardian+ factory installed 3

This quote is valid for 30 days. Prices are net. All applicable taxes extra.
 F.O.B plant in St-Hubert, Québec , Canada





RefPlus Inc.
 2777, Grande-Allée
 St-Hubert, (QC), J4T 2R4
 Tél : (450) 641-2665
 Fax : (450) 641-4554

Quote #	Item #
160635-A	26

EJA-03700L-9W

Tag : Room # 180

General Informations

Heat Exchange Mode :	Cooling Mode	Row :	6	
Model Status :	Standard Catalog	Fins Per Inch :	4	
Entering Dry Bulb :	65.0 °F	Internal Volume :	0.54	Ft³
Entering Wet Bulb :	60.0 °F	Fluid Volume :	4.05	gal
Entering Liquid Temp :	26.0 °F	Unit Estimated Weight :	405.00	lbs
USGPM :	49.00	Options Added Weight :	0.00	lbs
Max Pressure Drop :	20 PSI	Total Estimated Weight :	405.00	lbs
Altitude :	0 Ft	Fluid Type :	Propylene Glycol (built in)	
Unit Type :	Medium industrial walk-in with Ziehl	Concentration :	30.00	%
	Abegg			
Defrost Type :	Air defrost			

Fan(s) Data

Fan Motor Type :	Two Speeds	Fan Arrangement :	1 X 1	
Fan Motor HP :	0.37 HP	Fan Motor Total FLA :	1.00	A
Fan Motor RPM :	1090 RPM			
Fan Motor FLA :	1.00 A			
Motor Speed For Selection :	Low Speed			

Coil(s) Data

Fins Per Inch :	4 FPI	Fin Material :	Aluminium	
Coil Quantity :	1	Fin Pattern :	F	
Connection(s) Quantity :	1	Connection Size In :	2" ø MPT	
Circuit Quantity :	30	Connection Size Out :	2" ø MPT	

Heater(s) Data

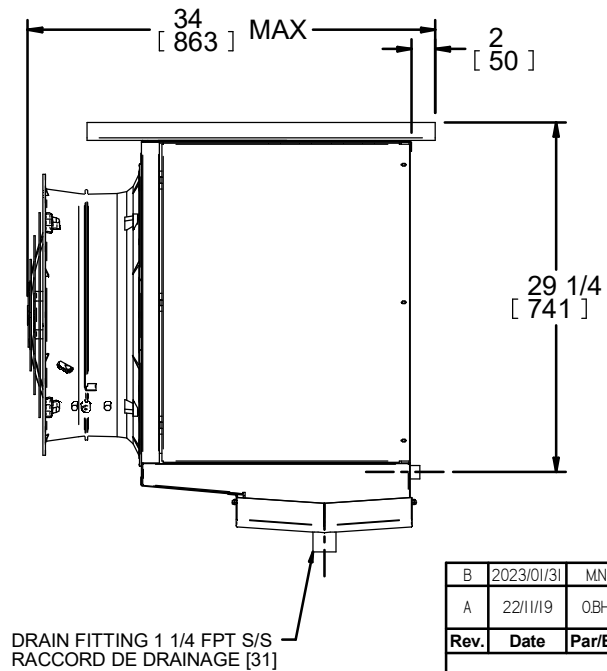
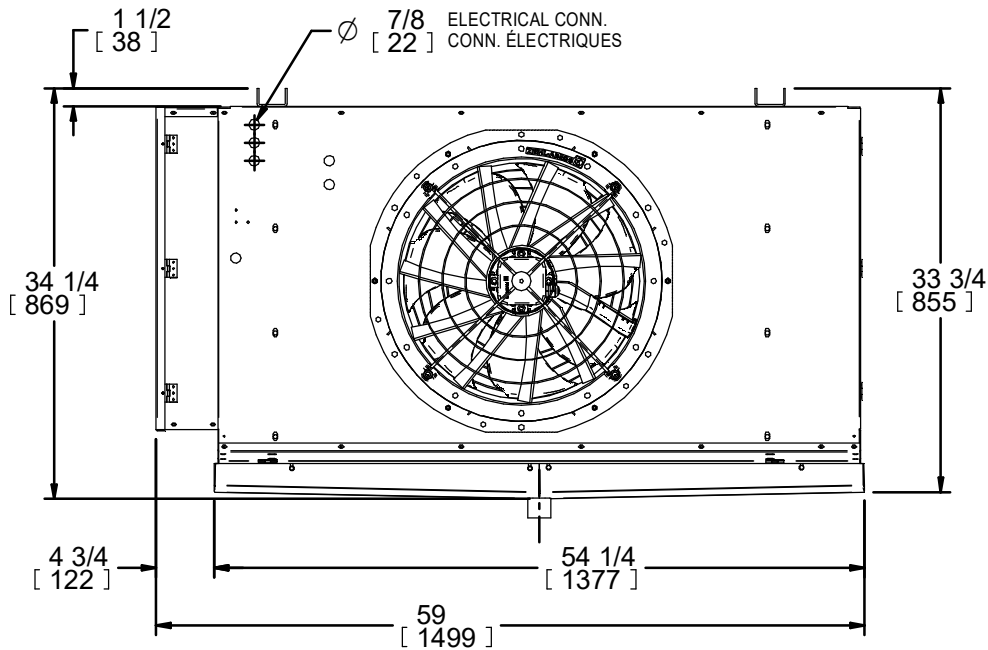
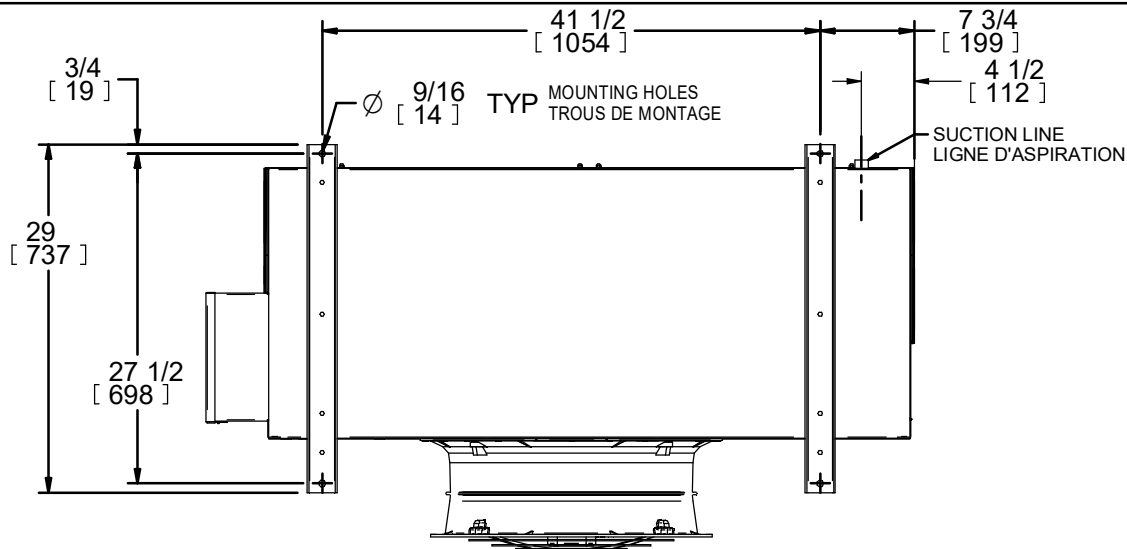
Heater Quantity In Coil :	0	Heater FLA :	0.00	A
Heater Quantity In Drain Pan :	0	Heater Total Power (Kw) :	0.00	Kw

Outputs

AIR SIDE			LIQUID SIDE		
Total Heat :	116.147	mbh	Leaving Liquid Temp :	31.0	°F
Sensible Heat :	62.619	mbh	GPM :	49.0	
Latent Heat :	53.528	mbh	Liquid Velocity :	2.8	ft/sec
Leaving Dry Bulb :	49.6	°F	Liquid Pressure Drop :	3.13 PSI	7.22 Ft(H ₂ O)
Leaving Wet Bulb :	48.7	°F	Coil Face Area :	8.33	Sq. Ft

Electrical Summary Data

Unit Voltage :	480/3/60	V	Fan Motor & Ctrl MCA :	1.25	A
Heater MCA :	0.00	A	Fan Motor & Ctrl MOP :	15.00	A
Heater MOP :	0	A			
Control Voltage :	240/1/60	V			



B	2023/01/31	MN	MISE À JOUR
A	22/11/19	OBH	CHANGEMENT DRAIN PAN DOUBLE PENTE & TRANSITION VERS SOLIDEDGE
Rev.	Date	Par/By	Description



2777, Grande-Allée
 St-Hubert, Québec
 CANADA, J4T 2R4
 Tel: (450) 641-2665
 Fax: (450) 923-5210
 www.refplus.com

Copyright © 2012 Refplus inc. Tous droits réservés. Toute reproduction de ces dessins sans l'autorisation écrite de Refplus inc. est strictement interdite. Refplus inc., ses filiales et représentants ne peuvent en aucun cas être tenus responsables pour tout dommage découlant de toute erreur ou omission dans les dessins, ou tout dommage relié aux dessins ou à l'utilisation de ceux-ci par votre compagnie, ses filiales ou ses représentants.

Copyright © 2012 Refplus inc. All rights reserved. Any reproduction, in whole or in part, of these drawings is strictly prohibited without the written consent of Refplus inc. Refplus inc., its affiliates and representatives expressly disclaim any and all liability based on or relating to these drawings, or errors or omissions in same, or based on the use of these drawings by you, your affiliates or representatives.

Note:

À moins d'avis contraire, les dimensions sont en pouces / Unless otherwise specified, dimensions are in inches.
 Tolérances / Tolerances
 Frac: ±1/8 Dec: --- Ang: ±2°
 Non à l'échelle / Not to scale

Modèle / Model : IND. WALK-IN COOLER	
EJ IA, E, G, HI - ZIEHL ABEGG I FAN	
Par / By : MC	Date : 13/04/2016
Numéro Dessin / Drawing Number	Rev. B



RefPlus Inc.
 2777, Grande-Allée
 St-Hubert, (QC), J4T 2R4
 Tél : (450) 641-2665
 Fax : (450) 641-4554

Quote #	Item #
160635-A	27

To :

FES Ohio
 Attn : Joe Rubino
 1725 Washington Road- Suite 302
 Pittsburgh, PA USA
 15241

Informations :

Project Name : Warabeya Ohio Commissary - All Bidding Contractors
Created : 04/19/2024
Created By : Joe Rubino
Last Change : 04/19/2024
Last Change By : Joe Rubino
Tel. : 412 595-8571 Ext. :
Cell : 412-580-5825
Fax :
E-mail :

jrubino@fesohio.com

ITEM #	TAG	DESCRIPTION	QTY	UNIT PRICE	TOTAL PRICE
27	Room # 174, 182	EQA-23600-9W	3		

Total Capacity 86.52 mbh
 Sensible Capacity 82.19 mbh
 Main Voltage 480/3/60
 Cooling Mode
 FPI 4

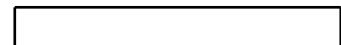
OPTIONS

Circuits - Custom 3
 Defrost type - Air defrost 3
 Motors speed - Standard high speed 3
 Air Throw - Standard 3
 Casing finish - Standard 3

ADDITIONAL ITEMS

Controller for EEV/TXV - Refplus Guardian+ factory installed 3

This quote is valid for 30 days. Prices are net. All applicable taxes extra.
 F.O.B plant in St-Hubert, Québec , Canada





RefPlus Inc.
 2777, Grande-Allée
 St-Hubert, (QC), J4T 2R4
 Tél : (450) 641-2665
 Fax : (450) 641-4554

Quote #	Item #
160635-A	27

EQA-23600-9W

Tag : Room # 174, 182

General Informations

Heat Exchange Mode :	Cooling Mode	Row :	6
Model Status :	Standard Catalog	Fins Per Inch :	4
Entering Dry Bulb :	36.0 °F	Internal Volume :	3.01 Ft³
Entering Wet Bulb :	34.0 °F	Fluid Volume :	22.52 gal
Entering Liquid Temp :	26.0 °F	Unit Estimated Weight :	1,705.00 lbs
USGPM :	38.00	Options Added Weight :	0.00 lbs
Max Pressure Drop :	20 PSI	Total Estimated Weight :	1,705.00 lbs
Altitude :	0 Ft	Fluid Type :	Propylene Glycol (built in)
Unit Type :	Large industrial walk-in with Ziehl Abegg	Concentration :	30.00 %
Defrost Type :	Air defrost		

Fan(s) Data

Fan Motor Type :	Two Speeds	Fan Arrangement :	1 X 3
Fan Motor HP :	1.25 HP	Fan Motor Total FLA :	7.50 A
Fan Motor RPM :	730 RPM		
Fan Motor FLA :	2.50 A		
Motor Speed For Selection :	High Speed		

Coil(s) Data

Fins Per Inch :	4 FPI	Fin Material :	Aluminium
Coil Quantity :	1	Fin Pattern :	F
Connection(s) Quantity :	1	Connection Size In :	1.5" ø MPT
Circuit Quantity :	30	Connection Size Out :	1.5" ø MPT

Heater(s) Data

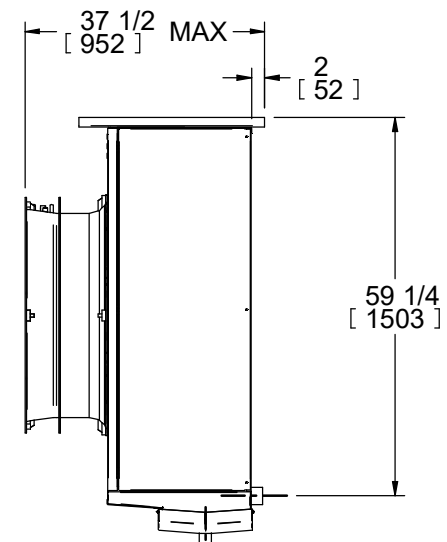
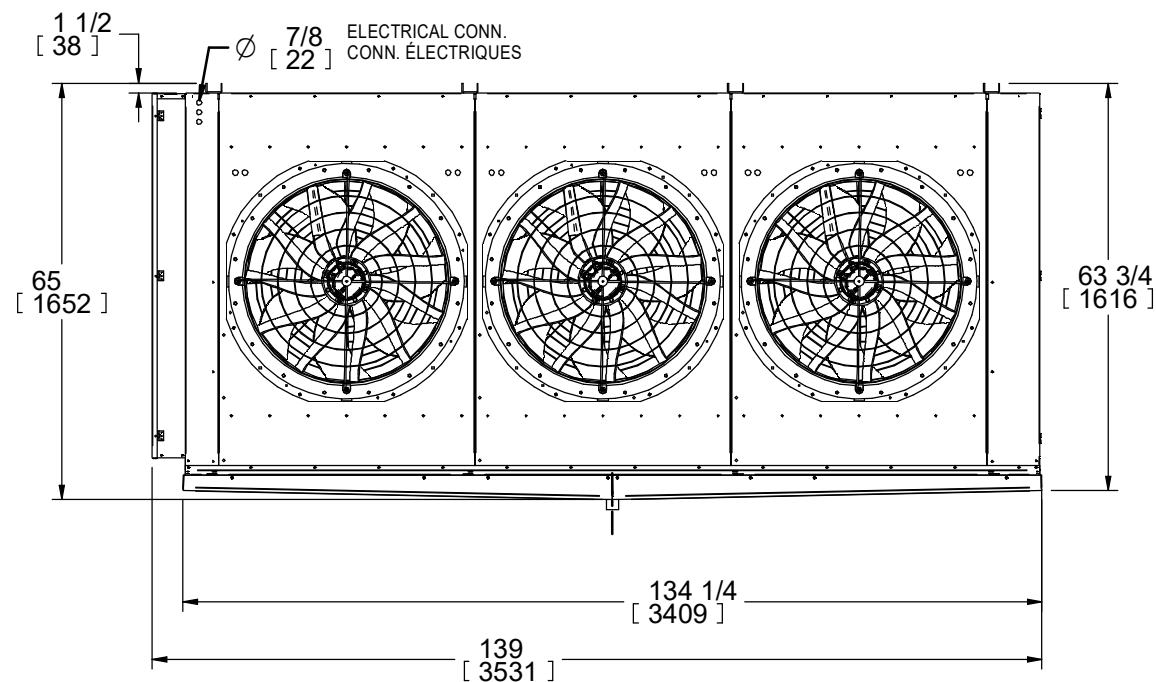
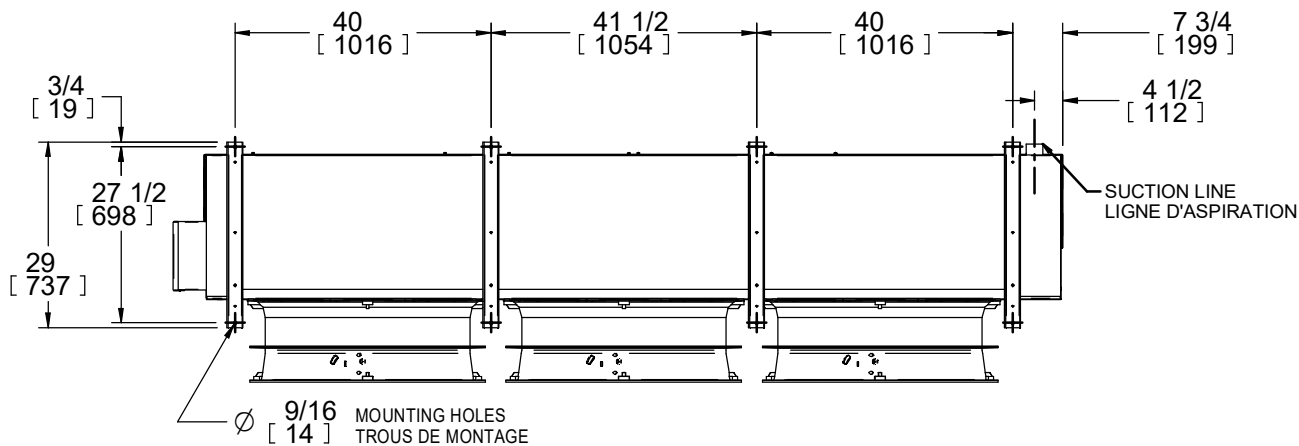
Heater Quantity In Coil :	0	Heater FLA :	0.00 A
Heater Quantity In Drain Pan :	0	Heater Total Power (Kw) :	0.00 Kw

Outputs

AIR SIDE		LIQUID SIDE	
Total Heat :	86.519 mbh	Leaving Liquid Temp :	30.8 °F
Sensible Heat :	82.193 mbh	GPM :	38.0
Latent Heat :	4.326 mbh	Liquid Velocity :	2.2 ft/sec
Leaving Dry Bulb :	33.2 °F	Liquid Pressure Drop :	6.90 PSI 15.92 Ft(H2O)
Leaving Wet Bulb :	32.2 °F	Coil Face Area :	50.00 Sq. Ft

Electrical Summary Data

Unit Voltage :	480/3/60	V	Fan Motor & Ctrl MCA :	8.13	A
Heater MCA :	0.00	A	Fan Motor & Ctrl MOP :	15.00	A
Heater MOP :	0	A			
Control Voltage :	240/1/60	V			



DRAIN FITTING 1/4 FPT S/S
RACCORD DE DRAINAGE [31]

C	03/31/2023	MN	MISE À JOUR
B	08/01/2020	OBH	AGRANDIR LA BOÎTE ÉLECTRIQUE
A	12/12/2019	OBH	TRANSITION VERS SOLIDEDGE
Rev.	Date	Par/By	Description



2777, Grande-Allée
St-Hubert, Québec
CANADA, J4T 2R4
Tel: (450) 641-2665
Fax: (450) 923-5210
www.refplus.com

Copyright © 2012 Refplus inc. Tous droits réservés. Toute reproduction de ces dessins sans l'autorisation écrite de Refplus inc. est strictement interdite. Refplus inc., ses filiales et représentants ne peuvent en aucun cas être tenus responsables pour tout dommage découlant de toute erreur ou omission dans les dessins, ou tout dommage relié aux dessins ou à l'utilisation de ceux-ci par votre compagnie, ses filiales ou ses représentants.

Copyright © 2012 Refplus inc. All rights reserved. Any reproduction, in whole or in part, of these drawings is strictly prohibited without the written consent of Refplus inc. Refplus inc., its affiliates and representatives expressly disclaim any and all liability based on or relating to these drawings, or errors or omissions in same, or based on the use of these drawings by you, your affiliates or representatives.

Note:

À moins d'avis contraire, les dimensions sont en pouces / Unless otherwise specified, dimensions are in inches.

Tolérances / Tolerances

Frac: ±1/8 Dec: --- Ang: ± 2°

Non à l'échelle / Not to scale

Modèle / Model : IND. WALK-IN COOLER	
EQ (A, E, G, HI - EX IA, E, G, HI 3 FANS	
Par / By : MC	Date : 02/05/2016
Número Dessin / Drawing Number EQ10003	Rev. C



TERMS AND CONDITIONS OF SALE GENERAL WARRANTY / CLAIMS PROCEDURES

These Terms and Conditions of Sale and the General Warranty outline below (“Agreement”) shall apply to any goods and services (“Goods”) supplied by RefPlus Inc. (“Seller”) to the commercial customer (“Buyer”) and become integral part of all such current and future contracts between Seller and Customer, even where they are not specifically agreed again. The customer (“Buyer”) shall be deemed to have full knowledge of this Agreement. The foregoing express warranties or those set forth elsewhere on this document are the only warranties of Seller applicable to the product(s) sold under this contract.

GENERAL WARRANTY

Seller warrants that the equipment manufactured by the Seller, including service parts, and sold under this contract shall be free from defects in material and workmanship for a period of twelve (12) months from the date of equipment start-up or eighteen (18) months from the date of shipment, whichever occurs first. Ziehl-Abegg fan assemblies are warranted against defects in materials and workmanship for a period of twenty-four (24) months from the date of equipment start-up or thirty (30) months from the date of shipment, whichever occurs first.

Written notice of a defect in material and workmanship shall be sent to Seller immediately upon discovery by Buyer. Defective parts shall be repaired or replaced provided that inspection by Seller verifies the claimed defect(s). The Seller’s obligation under this warranty is limited solely to the repair or replacement, at Seller’s options, of any part or parts thereof which shall disclose to the Seller’s satisfaction to have been defective under normal use and service. This shall be the Buyer’s exclusive remedy. All other warranties, whether verbal or written, and all warranties implied by law, including any warranties of merchantability or fitness for a particular purpose, are hereby excluded. No representative or agent of Seller is authorized to modify or expand the express warranties of Seller. Repairs made without the prior written approval of Seller shall void all warranties covering material and workmanship. Seller shall not be liable for any direct, indirect incidental, consequential, or other form of loss, injury, damage, cost, or expense, whether caused by delay, failure, or performance, breach of warranty, or by any cause whatsoever. Failure on the part of Buyer or of other parties to properly maintain the product(s) sold under this contract, or the operation of such product(s), by Buyer and/or other parties under conditions more severe than those for which such product(s) were designed shall void all warranties covering materials and workmanship. Warranty is void if product is used or operated on low or improper voltages or in a manner contrary to the instructions covering the installation, use and maintenance which accompanies such product. Seller’s obligation under this warranty shall be void if Buyer fails without legal justification to pay Seller, when due, the full purchase price for the equipment sold hereunder. Buyer assumes liability for and shall bear the costs of compliance with all laws, regulations, codes standards or ordinances applicable to the location, operation and maintenance of the product(s) sold under this contract. This warranty applies only to the original purchaser of the equipment and does not extend, expressly or by implication, to the third parties or others without the specific written approval and acknowledgment of Seller.

PROOF OF START-UP:

Start-up report form shall be filled, signed by Buyer, and received by Seller at the time of installation of a complete unit in order to establish the effective date of the warranty and prove industry best practices were complied with flawlessly for the installation of the equipment. This will also demonstrate that proper start-up procedures found in the installation, operating and maintenance manual (IOM) supplied with the equipment were followed, failing which, the present warranty shall be null and void.

COMPRESSOR WARRANTY:

A compressor determined by Seller to have been defective within the warranty period shall be returned to the nearest authorized dealer of the compressor, without any additional implication from the seller. Compressor manufacturer/distributor shall honor the compressor limited warranty. No freight shall be allowed for transportation of the compressor to and from the compressor dealer. The replacement compressor shall be identical to the model being replaced. Additional charges, which may result from the replacement of another than identical compressor, are not covered by this warranty.

OPTIONAL EXTENDED WARRANTY ON COMPRESSORS:

The Seller offers an optional 4-year extended warranty on all its compressors. This warranty is subject to the above-stated warranty, is non-transferable and is only valid in Canada and the USA. A defective compressor shall remain in the possession of the Buyer and shall only be returned once authorized by Seller. The Seller reserves the right to request a failed compressor to be subject to a tear down analysis in order to identify the cause of the failure.

EXCLUSIONS:

This warranty does not cover the costs of removing, shipping, or reinstalling the equipment.

This warranty does not cover any leak that occurs at a threaded, mechanical joint (defined as flare joints, pipe thread joints or Rotolock joints). Because these joints can loosen during transport, it is the responsibility of the Buyer to check and retighten them upon arrival of the equipment or prior to charging the system.

This warranty does not cover normal wear and tear or the erosion, corrosion and/or deterioration of the product(s) from unusual causes.

This warranty does not cover the repair or replacement of any equipment which has been repaired or altered outside of the factory in any way.

This warranty does not cover equipment and parts which have been subject to negligence, misuse, or abuse, or to pressures in excess of stated limits.

This warranty does not apply to defects in product(s) for which payment in full has not been received by Seller.

No warranties by Seller shall apply to accessories supplied by others.

This warranty does not apply to the loss of food or any products or refrigerant due to an equipment failure or for any other reason.

This warranty does not apply if the start-up report form was not filled, signed, and presented and received by Seller by the Buyer at the time of installation.

REIMBURSEMENT TERMS FOR WARRANTY REPAIRS:

Reimbursement of Warranty repairs is subject to the following conditions:

- A. Maximum charges for refrigerant recovery are \$50.00 (currency to be determined according to the place of recovery) per system.
- B. Replacement components to be purchased locally require written preapproval by the Seller. The Seller will pay actual wholesaler costs. Invoices for these components must be included in the Warranty claim documentation.
- C. All Warranty claims must include the following:
 - a. Fully completed RefPlus Warranty claim worksheet, with unit serial number.
 - b. Service ticket for work performed.
 - c. Invoices for locally purchased components.

ORDERS:

Customer shall place an order in writing with reference to the Quotation ("Order"). The Order shall be considered as an offer to Seller to conclude a contract. The order received is subject to acceptance by the Seller. The Order will only be processed when all information necessary for Seller is received. Seller will issue an acknowledgement of order ("Order Confirmation") to conclude the contract. Order must identify the quantity, model and/or part number, applicable price, the requested delivery date, and the ship to information for goods being purchased. Orders may not be canceled or rescheduled without the Seller's approval and confirmation.

PRICES:

Seller reserves the right to change prices on Buyer's orders to those prices in effect at time of shipment. All prices for goods and services, whether specified in the Seller's price list, written quotation, or acknowledgment, are subject to change without notice. Unless otherwise expressly stated, all prices are exclusive of transportation and insurance costs, duties, and all taxes. Unless otherwise indicated, Seller's prices, proposals, and quotations are net cash (without deduction) plus taxes and shipping. Prices are contingent upon exigencies attributable to the COVID-19 or any future pandemic and may change without notice till the COVID-19 - or if the case may be any future pandemic - has been declared as ended, unless otherwise agreed to in writing. Weights in catalogs, price schedules, quotations, and acknowledgements of all orders are approximate and in no sense guaranteed.

TAXES:

Prices do not include Local, State, Provincial or Federal sales, use, excise, or similar taxes. Any such charges will be added to the invoice at the time of shipment. Any direct or excise tax which may now or hereafter be imposed by any governmental unit upon the manufacture, sale, or delivery of the goods covered by these terms and conditions may be added by Seller to the purchase price of such goods, and if so added, shall be paid by the Buyer.

PAYMENT:

Terms are net thirty (30) calendar days from the date of invoice without offset or deduction, upon credit approval by Seller. Orders are subject to prepayment unless payment terms are otherwise confirmed by Seller in writing. Payments shall be in US or Canadian currency to Seller's bank account. Any payment delay shall be subject to the current statutory interest rate for late payment with a minimum of 5%. Any Orders will be put on hold if there is any outstanding balance over 30 days on previous orders. A deposit may be required on special built-to-order equipment and cancellations of such orders will incur charges established by the factory.

TITLE OF GOODS:

Title to goods shall remain with Seller until invoice is paid in full.

DELIVERY:

Delivery date(s) are approximate and not guaranteed. Delivery shall be Ex-Works Seller's dock. Seller reserves the right to modify the delivery date(s) without notice.

ORDER CANCELLATION:

All cancellations must be approved by the Seller. Restocking charges will be determined based on whether the product is a stock versus non-stock item. A minimum restocking charge of twenty percent (20%) of the net price will apply.

RETURN GOODS:

No products shall be returned without Seller's written permission. All approved returns whether new and unused or for warranty consideration must be packaged in accordance with methods designed to handle the normal rigors of transportation and handling. Each item in a return must have an approved return authorization number (RMA#) clearly marked on the goods. Return transportation will be at the Buyers expense.

FORCE MAJEURE:

Neither party shall be liable for any delay or failure in performance (other than failure with respect to payment obligations) due to acts beyond their control including, but not limited to, acts of God, war, warlike conditions, blockade, embargoes, riots, governmental restriction, labor disturbances, resultant disruption in supplies, transportation or loading facilities, wrecks, epidemics, quarantine, fire, flood, earthquake, explosion, or any other causes beyond its reasonable control.

PRODUCT CHANGES:

Seller reserves the right to change specifications, design, and material in the interest of product improvement, without incurring obligation to the Buyer.

Project Warabeya

Project # 2024052
Submittal Cover Sheet



To: Chris Prichard
Gray Construction

Submittal Date: 7/22/2024

Submittal # 230500-1-2

From: Mullins Mechanical (Company Name)
115 Greenway Blvd (Address)
Carrollton, GA 30117 (City, State, and Zip)

Contact: Nathan Andrews
Email: nandrews@mullins-mechanical.com
Phone: 404-326-8965

Spec Section: 230500

Spec Section Title: Basic HVAC Requirements

Reference Drawing #'s: H4.2

Submittal Description: Unit Cooler, Evaporator, and Condensing Unit Submittal

Submittal: Action Submittal or For Information Only

Submittal Type: Product Data Shop Drawing Sample O&M Other

Gray Construction

SHOP DRAWING & PLAN REVIEW	
GRAY CONSTRUCTION, INC. 10 Quality Street Lexington, Kentucky 40507-1450	
Review is for general coordination of construction elements. Markings or comments shall not be construed as relieving the Subcontractor or Supplier from compliance with the intent of the plans and specifications, nor departures there from. The Subcontractor or Supplier remains responsible for details and accuracy, for confirming and correlating all quantities and dimensions, compliance and design criteria, and for selecting fabrication processes, or to the means and methods of construction, and for performing their work in a safe manner.	
<input checked="" type="checkbox"/> No Exceptions Taken	<input type="checkbox"/> Exception Noted, Revise And Resubmit, fabrication may proceed.
<input type="checkbox"/> Exceptions Noted, Resubmittal not required.	<input type="checkbox"/> Rejected, Submit specified Item
<input type="checkbox"/> For Information Only	
Reviewed By: Chris Prichard	Date: 7/23/24

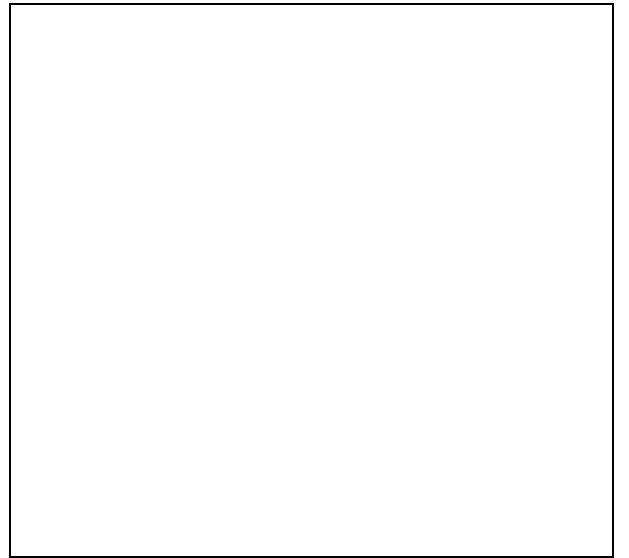
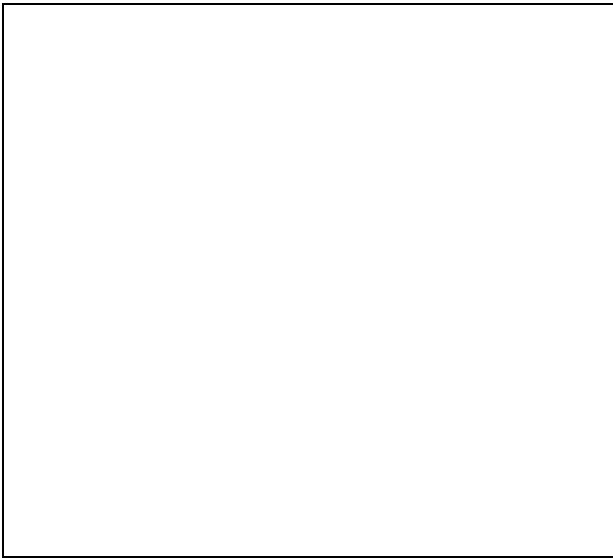
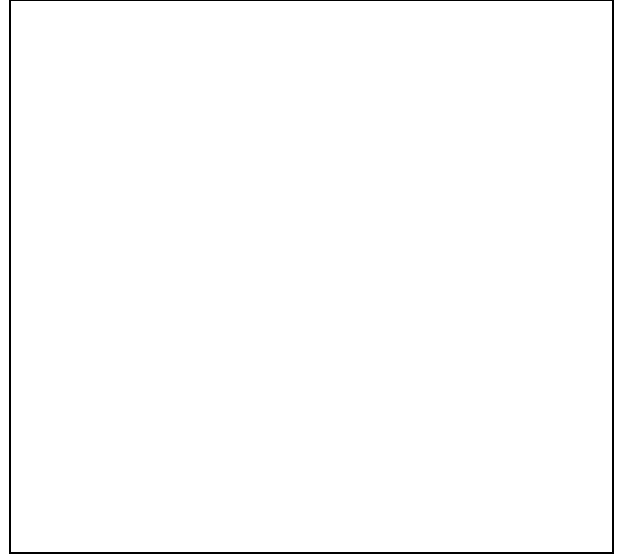
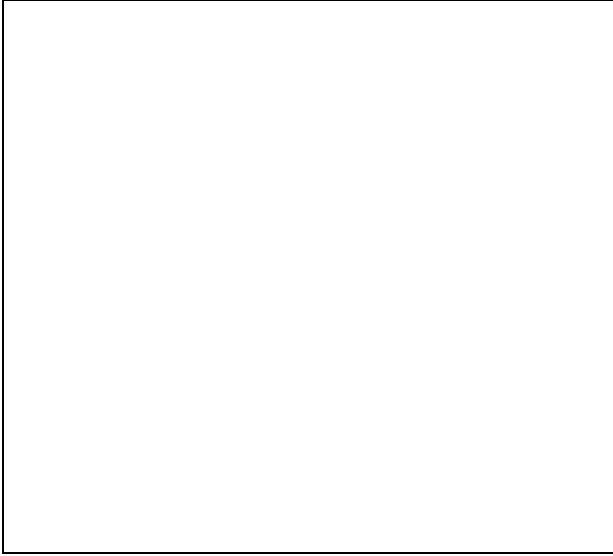
Excel Engineering

Empty review box for Excel Engineering.

Warabeya

Empty review box for Warabeya.

Empty review box for Warabeya.





RefPlus Inc.
 2777, Grande-Allée
 St-Hubert, (QC), J4T 2R4
 Tél : (450) 641-2665
 Fax : (450) 641-4554

Quote #

To :

FES Ohio
 Attn : Joe Rubino
 1725 Washington Road- Suite 302
 Pittsburgh, PA USA
 15241

Informations :

Project Name : Warabeya Ohio Commissary - All Bidding Contractors
Created : 04/19/2024
Created By : Joe Rubino
Last Change : 04/19/2024
Last Change By : Joe Rubino
Tel. : 412 595-8571 Ext. :
Cell : 412-580-5825
Fax :
E-mail :

jrubino@fesohio.com

ITEM #	TAG	DESCRIPTION	QTY	UNIT PRICE	TOTAL PRICE
1		Freezer/Cooler Split Systems	3		
1.1		ONS-250-5MA-9	1		
1.2		EME-07200-9	1		
2	Spec OMS-140	Freezer	3		
2.1		OMS-140-1LA-9	1		
2.2		EME-07200-9	1		
3	8 port	KE2 Switch	3		
4	16 ports	KE2 Switch	6		
5		KE2 EM PLUS	3		
6	Room # 127	LSA-0451-1W	1		
7	Room # 129	EQA-04500L-9W	3		
8	Room # 131	LSA-1081-1W	1		
9	Room # 132, 134	EJA-02500L-9W	4		
10	Room # 136	EQA-43300-9W	3		
11	Room # 137	EQA-31500-9W	2		
12	Room # 139	LSA-0451-1W	1		
13	Room # 141, 152, 167	EHA-12400-9W	8		
14	Room # 142	EHA-16200-9W	2		
15	Room # 149A, 149B, 156, 164	EJA-03700L-9W	7		
16	Room # 151, 152B	LQA-32100L-9W	5		
17	Room # 152A	LMA-13200-9W	2		
18	Room # 152C	LMA-13200-9W	2		
19	Room # 159A	LQA-15800L-9W	2		
20	Room # 159B, 161B	EJA-06200L-9W	4		
21	Room # 160	EJA-05100L-9W	1		
22	Room # 160A	EJA-02500L-9W	1		
23	Room # 173, 162A	EQA-39200-9W	6		

ITEM #	TAG	DESCRIPTION	QTY	UNIT PRICE	TOTAL PRICE
24	Room #, 162B	EJA-07400L-9W	2		
25	Room # 177	EQA-23600-9W	8		
26	Room # 180	EJA-03700L-9W	3		
27	Room # 174, 182	EQA-23600-9W	3		

This quote is valid for 30 days. Prices are net. All applicable taxes extra.
F.O.B plant in St-Hubert, Québec , Canada



RefPlus Inc.
 2777, Grande-Allée
 St-Hubert, (QC), J4T 2R4
 Tél : (450) 641-2665
 Fax : (450) 641-4554

Quote #	Item #
160635-A	1.1
Freezer/Cooler Split Systems	

To :

FES Ohio
 Attn : Joe Rubino
 1725 Washington Road- Suite 302
 Pittsburgh, PA USA
 15241

Informations :

Project Name : Warabeya Ohio Commissary - All Bidding Contractors
Created : 04/19/2024
Created By : Joe Rubino
Last Change : 04/19/2024
Last Change By : Joe Rubino
Tel. : 412 595-8571 Ext. :
Cell : 412-580-5825
Fax :
E-mail :

jrubino@fesohio.com

ITEM #	TAG	DESCRIPTION	QTY	UNIT PRICE	TOTAL PRICE
1.1		ONS-250-5MA-9	1		

Capacity 204.66 mbh
 SST 25 °F
 Main Voltage 480/3/60
 Refrigerant R-448A/R-449A

OPTIONS

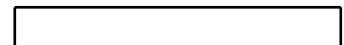
- Fan cycling - Johnson Pressure Controls serie P170 1
- Note #1 - Multi-refrigerant unit (R-448A/R449A, R-407A/R407F, R404A/R507A) 1
- Note #2 - Refrigerants R-404A and R-507A are not allowed in Canada 1
- Electric defrost kit (1/2) - Contactors and fuses 1
- Hot gas bypass kit - Sporlan mechanical 25 tons 1
- First fan start delay switch - Standard 1
- Note - This unit is in a system 1
- Compressor(s) time delay - Standard on break (anti-short cycling) 1
- Discharge thermostat - Standard 1
- Disconnect - Standard non-fused 1
- Electric defrost kit (2/2) - Controller : No controller 1
- Flooding valve - Standard adjustable (included) 1
- Liquid line kit - Standard replaceable 1
- Low ambient Kit - Standard 1
- Oil separator - Standard 1
- Pressure controls - Adjustable (Johnson P170 Series Dual Control with flexible hoses) 1
- Pressure gauges - High and low refrigerant pressure 1
- Suction accumulator - Standard with boil-out heat exchanger 1
- Suction filter - Standard replaceable 1

ADDITIONAL ITEMS

This quote is valid for 30 days. Prices are net. All applicable taxes extra.
 F.O.B plant in St-Hubert, Québec , Canada

Additional Pressure controls for medium temp - Adjustable (Johnson P170 Series Dual Control with flexible hoses)	1
Toggle switch and custom wiring for Guardian second room temperature aux contact operation and energize second compressor pressure control set	1
Special Condensing unit option kits - Bitzer head cooling fan kits	1
Hot gas bypass energized at MT mode only.	1

This quote is valid for 30 days. Prices are net. All applicable taxes extra.
 F.O.B plant in St-Hubert, Québec , Canada





RefPlus Inc.
 2777, Grande-Allée
 St-Hubert, (QC), J4T 2R4
 Tél : (450) 641-2665
 Fax : (450) 641-4554

Quote #	Item #
160635-A	1.1
Freezer/Cooler Split Systems	

ONS-250-5MA-9

General Informations

Ambient Temperature :	95 °F	Capacity :	204.66 mbh
Saturated Suction Temp. :	25 °F		(17.06) tons
Unit SST Range Capability :	0 to 40 °F		
Refrigerant Type :	R-448A/R-449A	Unit Estimated Weight :	2091.00 lbs
Application :	MEDIUM TEMPERATURE	Options Estimated Weight :	143.00 lbs
		Total Estimated Weight :	2234.00 lbs
		Unit Type :	Outdoor Air Cooled
		Model Status :	Standard Catalog

System Electrical Summary Data

System Voltage :	480/3/60 V	System MCA :	56.90 A
System MOP :	90 A		
Control Voltage :	240/1/60 V		

Fan(s) Data

Fan Motor Type :	Single Speed	Fan Arrangement :	1 X 2
Fan Motor HP :	2.00 HP	Fan Motor Total FLA :	6.80 A
Fan Motor RPM :	1140 RPM		
Fan Motor FLA :	3.40 A		

Condenser Coil(s) Data

Total Summer Charge :	11.80 lbs
Total Winter Charge :	29.40 lbs
Fin Material :	Aluminium
Tube Material :	Riffle Copper

Compressor(s) Data

Circuit Quantity :	1	Compressor Type :	SEMI-HERMETIC
		Compressor Brand :	BITZER

Circuit #1

Compressor Model : 4HE-25Y

Unloader : None

RLA (MCC/1.56) :	37.80 A
LRA :	218.00 A
Liquid Connection Size :	1 1/8 "
Suction Connection Size :	2 1/8 "
Discharge Connection Size :	1 3/8 "
Connections Material :	Copper

Receiver(s) Data

Receiver #1

Model :	10 3/4 " X 48 "
Total Charge :	138.0 lbs

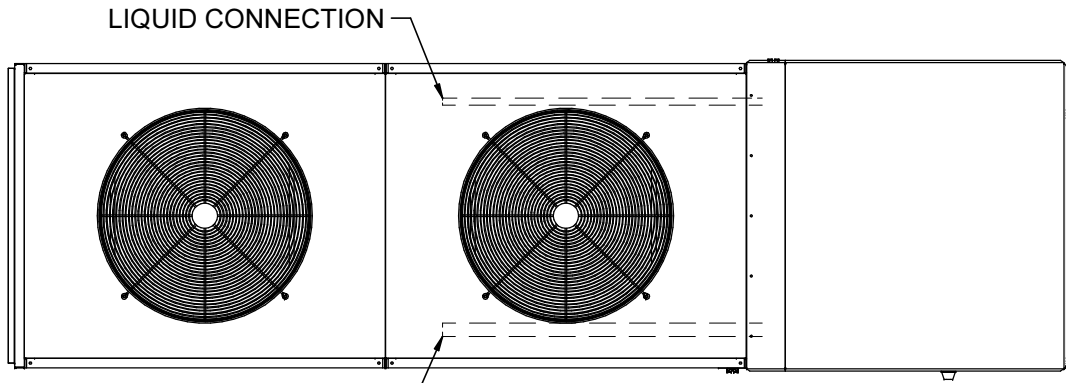
Note(s)

This unit is compatible with the following refrigerants: R-448A/R449A, R-407A/R407F, R404A/R507A

Note(s)

Refrigerants R-404A and R-507A are not allowed in Canada

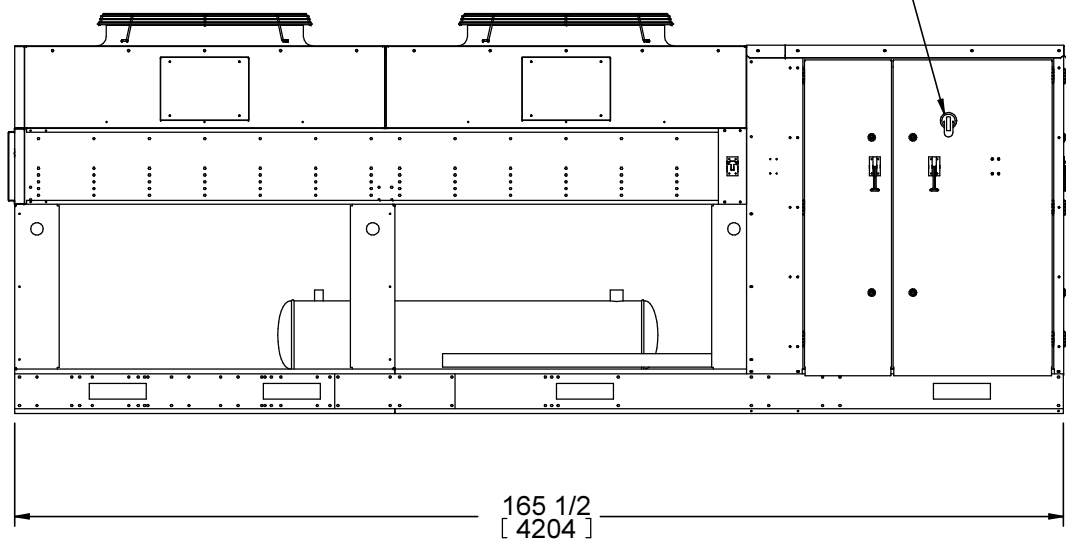
WARNING: If this unit was AWEF certified, it will lose its certification due to the pressure fan cycling option.



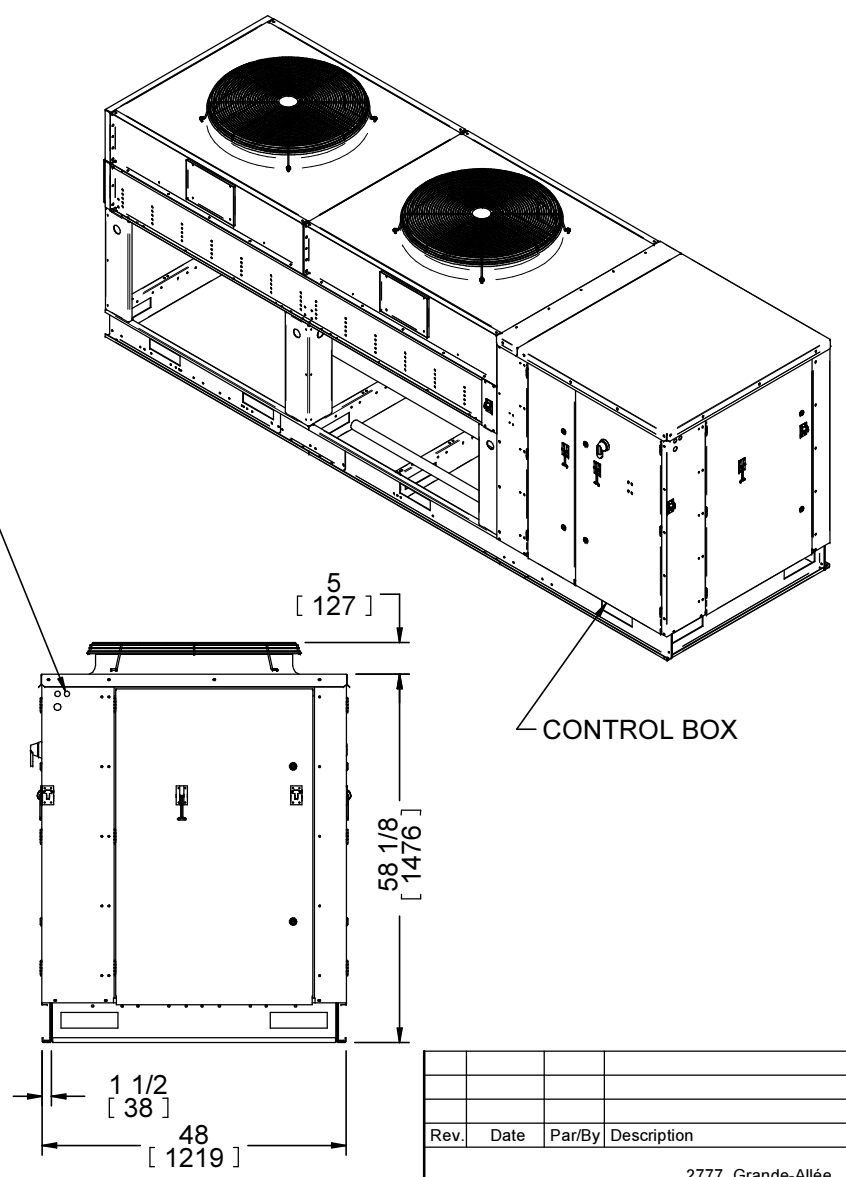
SUCTION CONNECTION

ELECTRICAL SERVICE KNOCKOUTS

OPTIONAL DISCONNECT
(HANDLE TO BE INSTALLED ON JOB SITE)



165 1/2
[4204]



CONTROL BOX

5
[127]

58 1/8
[1476]

1 1/2
[38]
48
[1219]

Rev.	Date	Par/By	Description



2777, Grande-Allée
St-Hubert, Québec
CANADA, J4T 2R4
Tel: (450) 641-2665
Fax: (450) 923-5210
www.refplus.com

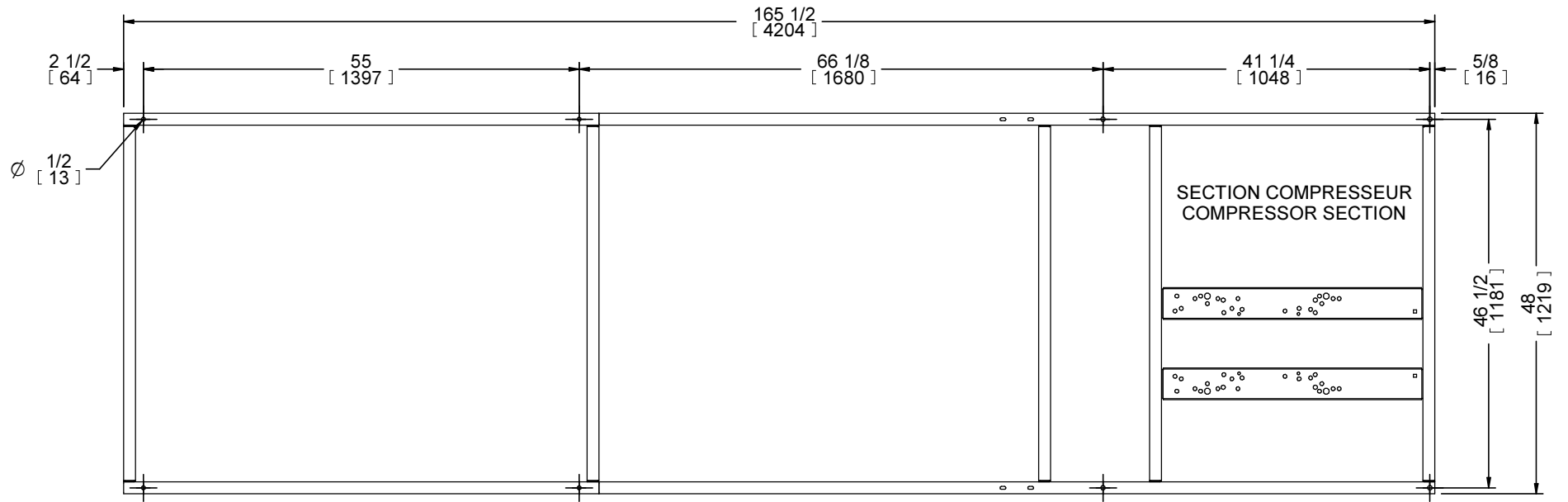
Copyright © 2012 Refplus inc. Tous droits réservés. Toute reproduction de ces dessins sans l'autorisation écrite de Refplus inc. est strictement interdite. Refplus inc., ses filiales et représentants ne peuvent en aucun cas être tenus responsables pour tout dommage découlant de toute erreur ou omission dans les dessins, ou tout dommage relié aux dessins ou à l'utilisation de ceux-ci par votre compagnie, ses filiales ou ses représentants.

Copyright © 2012 Refplus inc. All rights reserved. Any reproduction, in whole or in part, of these drawings is strictly prohibited without the written consent of Refplus inc. Refplus inc., its affiliates and representatives expressly disclaim any and all liability based on or relating to these drawings, or errors or omissions in same, or based on the use of these drawings by you, your affiliates or representatives.

Note:

À moins d'avis contraire, les dimensions sont en pouces / Unless otherwise specified, dimensions are in inches.
Tolérances / Tolerances
 Frac: ±1/8 Dec: --- Ang: ± 2°
 Non à l'échelle / Not to scale

Modèle / Model :	
Par / By : GMORIN	Date : 2017-04-20
Numéro Dessin / Drawing Number ON12E	Rev.



VUE DE DESSOUS
VIEWED FROM BOTTOM

Rev.	Date	Par/By	Description


 2777, Grande-Allée
 St-Hubert, Québec
 CANADA, J4T 2R4
 Tel: (450) 641-2665
 Fax: (450) 923-5210
 www.refplus.com

Copyright © 2012 Refplus inc. Tous droits réservés. Toute reproduction de ces dessins sans l'autorisation écrite de Refplus inc. est strictement interdite. Refplus inc., ses filiales et représentants ne peuvent en aucun cas être tenus responsables pour tout dommage découlant de toute erreur ou omission dans les dessins, ou tout dommage relié aux dessins ou à l'utilisation de ceux-ci par votre compagnie, ses filiales ou ses représentants.

Copyright © 2012 Refplus inc. All rights reserved. Any reproduction, in whole or in part, of these drawings is strictly prohibited without the written consent of Refplus inc. Refplus inc., its affiliates and representatives expressly disclaim any and all liability based on or relating to these drawings, or errors or omissions in same, or based on the use of these drawings by you, your affiliates or representatives.

Note:

À moins d'avis contraire, les dimensions sont en pouces / Unless otherwise specified, dimensions are in inches.

Tolérances / Tolerances

Frac: ±1/8 Dec: --- Ang: ± 2°

Non à l'échelle / Not to scale

Modèle / Model : POSITION DES TROUS DE MONTAGE
POSITION OF MOUNTING HOLES

Par / By : G.MORIN Date : 2017-05-09

Numéro Dessin / Drawing Number ON-MTG | X 2 Rev.



RefPlus Inc.
 2777, Grande-Allée
 St-Hubert, (QC), J4T 2R4
 Tél : (450) 641-2665
 Fax : (450) 641-4554

Quote #	Item #
160635-A	1.2
Freezer/Cooler Split Systems	

To :

FES Ohio
 Attn : Joe Rubino
 1725 Washington Road- Suite 302
 Pittsburgh, PA USA
 15241

Informations :

Project Name : Warabeya Ohio Commissary - All Bidding Contractors
Created : 04/19/2024
Created By : Joe Rubino
Last Change : 04/19/2024
Last Change By : Joe Rubino
Tel. : 412 595-8571 Ext. :
Cell : 412-580-5825
Fax :
E-mail :

jrubino@fesohio.com

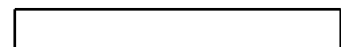
ITEM #	TAG	DESCRIPTION	QTY	UNIT PRICE	TOTAL PRICE
1.2		EME-07200-9	1		

Capacity 57.84 mbh
 TD 10.4 °FTD
 Main Voltage 480/3/60
 Refrigerant R-448A
 FPI 4

OPTIONS

Electronic expansion valve (EEV) - KE2 RSV series 1
 Note - This unit is in a system 1
 Air Throw - Standard 1
 Casing finish - Standard 1
 Controller for EEV/TXV - Refplus Guardian+ factory installed 1
 Liquid line solenoid(s) - Standard factory installed 1

This quote is valid for 30 days. Prices are net. All applicable taxes extra.
 F.O.B plant in St-Hubert, Québec , Canada





RefPlus Inc.
 2777, Grande-Allée
 St-Hubert, (QC), J4T 2R4
 Tél : (450) 641-2665
 Fax : (450) 641-4554

Quote #	Item #
160635-A	1.2
Freezer/Cooler Split Systems	

EME-07200-9

General Informations

Capacity : **57.840 mbh @ 10.4 °FTD @ 0 °F SST**
(4.82 tons @ 10.4 °FTD @ 0 °F SST)

Unit TD Range Capability :	6 To 30	°F	Defrost Type :	Electric defrost
Unit SST Range Capability :	-40 To 30	°F	Unit Estimated Weight :	720.00 lbs
Liquid Temperature :	100.00	°F	Options Estimated Weight :	30.00 lbs
Refrigerant Type :	R-448A		Total Estimated Weight :	750.00 lbs
Refrigerant Charge :	23.60	lbs	Unit Type :	Medium industrial walk-in

Model Status : **Standard Catalog**

Fan(s) Data

Fan Motor Type :	Single Speed		Fan Arrangement :	1 X 3
Fan Motor HP :	0.50	HP	Fan Motor Total FLA :	2.85 A
Fan Motor RPM :	1140	RPM	Total Nominal CFM :	12300.00
Fan Motor FLA :	0.95	A		

DX Coil(s) Data

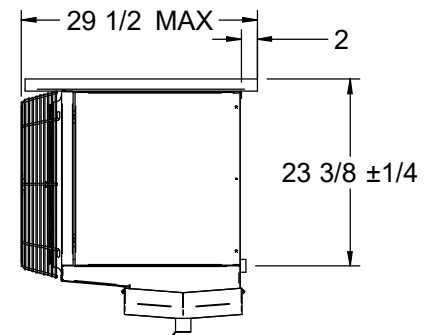
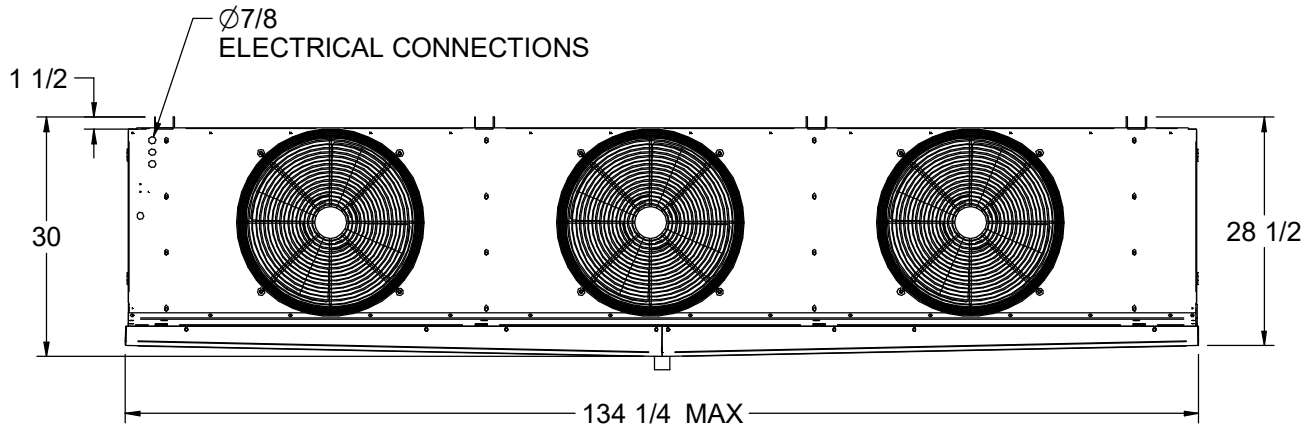
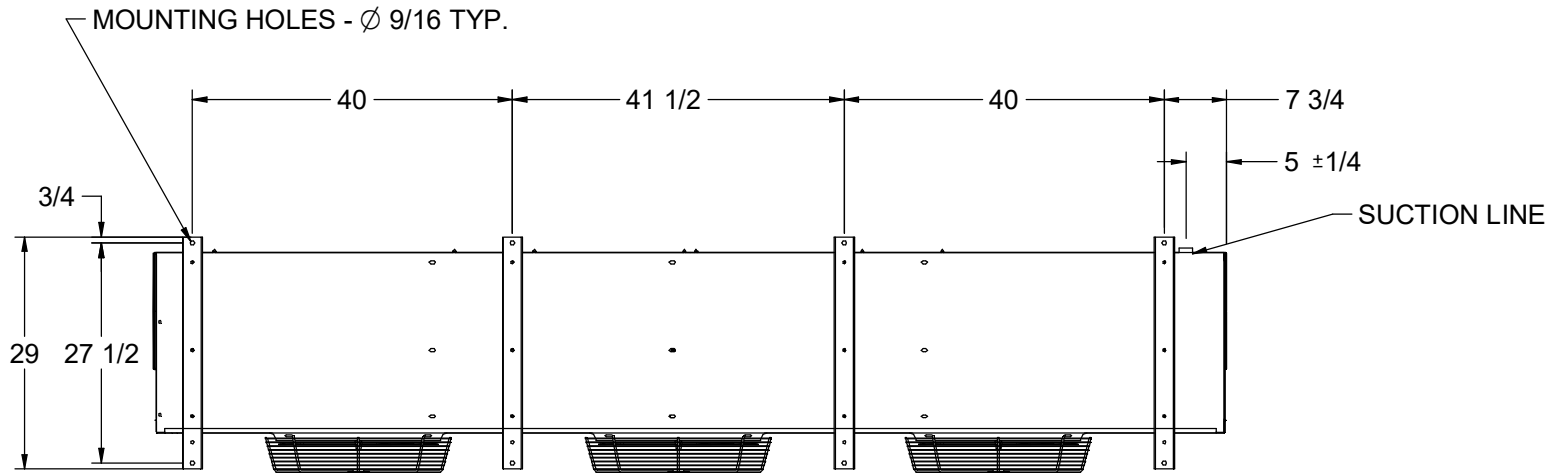
Fins Per Inch :	4	FPI	Fin Material :	Aluminium
Coil Quantity :	1		Tube Material :	Copper
			Connections Material :	Copper
			Distributor Connection Size :	7/8"
			Suction Connection Size :	1 5/8"
			Hot Gas Connection Size :	N/A

Heater(s) Data

Heater Quantity In Coil :	9		Heater FLA :	11.81 A
Heater Quantity In Drain Pan :	3		Heater Total Power (Kw) :	9.82 Kw

System Electrical Summary Data

Unit Voltage :	480/3/60		Fan Motor & Ctrl MCA :	3.09 A
Heater MCA :	14.76	A	Fan Motor & Ctrl MOP :	15 A
Heater MOP :	15	A		
Control Voltage :	240/1/60	V		



1 1/4 FPT REMOVABLE DRAIN FITTING

K	10-01-23	MN	MISE À JOUR
J	22-05-19	OBH	MISE À JOUR DU CARTOUCHE
I	08-03-19	OBH	CHANGEMENT DRAIN PAN
H	12-06-17	S.V.	TRANSITION AUTOCAD-SOLIDEDGE
G	18-04-16	MC.	ENLEVER LE MODÈLE EMIGHI
F	06-02-07	MC.	DRAIN 1 1/4 FPT ÉTAIT 7/8 ID.
E	23-03-04	MC.	DESSOUS EN PENTE. ÉLARGIR LE BAC.
D	01-10-02	MC.	BAC D'ÉGOUT. EN PENTE

Rev.	Date	Par/By	Description
------	------	--------	-------------

REFPLUS

2777, Grande-Allée
St-Hubert, Québec
CANADA, J4T 2R4
Tel: (450) 641-2665
Fax: (450) 923-5210
www.refplus.com

Copyright © 2012 Refplus inc. Tous droits réservés. Toute reproduction de ces dessins sans l'autorisation écrite de Refplus inc. est strictement interdite. Refplus inc., ses filiales et représentants ne peuvent en aucun cas être tenus responsables pour tout dommage découlant de toute erreur ou omission dans les dessins, ou tout dommage relié aux dessins ou à l'utilisation de ceux-ci par votre compagnie, ses filiales ou ses représentants.

Copyright © 2012 Refplus inc. All rights reserved. Any reproduction, in whole or in part, of these drawings is strictly prohibited without the written consent of Refplus inc. Refplus inc., its affiliates and representatives expressly disclaim any and all liability based on or relating to these drawings, or errors or omissions in same, or based on the use of these drawings by you, your affiliates or representatives.

Note:

À moins d'avis contraire, les dimensions sont en pouces / Unless otherwise specified, dimensions are in inches.

Tolérances / Tolerances

Frac: ±1/8 Dec: --- Ang: ± 2°

Non à l'échelle / Not to scale

Modèle / Model :

EMIAE, 3 VENT.

Par / By : Samuel Vendetti

Date : 01 SEPT. 1998

Numéro Dessin / Drawing Number

EMI0003

Rev.

K



RefPlus Inc.
 2777, Grande-Allée
 St-Hubert, (QC), J4T 2R4
 Tél : (450) 641-2665
 Fax : (450) 641-4554

Quote #	Item #
160635-A	2.1
Freezer	

To :

FES Ohio
 Attn : Joe Rubino
 1725 Washington Road- Suite 302
 Pittsburgh, PA USA
 15241

Informations :

Project Name : Warabeya Ohio Commissary - All Bidding Contractors
Created : 04/19/2024
Created By : Joe Rubino
Last Change : 04/19/2024
Last Change By : Joe Rubino
Tel. : 412 595-8571 Ext. :
Cell : 412-580-5825
Fax :
E-mail :

jrubino@fesohio.com

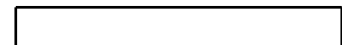
ITEM #	TAG	DESCRIPTION	QTY	UNIT PRICE	TOTAL PRICE
2.1		OMS-140-1LA-9	1		

Capacity 55.41 mbh
 SST -23 °F
 Main Voltage 480/3/60
 Refrigerant R-448A/R-449A

OPTIONS

Fan cycling - Johnson Pressure Controls serie P170 1
 Note #1 - Multi-refrigerant unit (R-448A/R449A, R-407A/R407F, R404A/R507A) 1
 Note #2 - Refrigerants R-404A and R-507A are not allowed in Canada 1
 Electric defrost kit (1/2) - Contactors and fuses 1
 Oversized receiver - Large (10-3/4" x 48") 1
 Additional cooling device(s) - Demand cooling (included) 1
 First fan start delay switch - Standard 1
 Note - This unit is in a system 1
 Compressor(s) time delay - Standard on break (anti-short cycling) 1
 Discharge thermostat - Standard 1
 Disconnect - Standard non-fused 1
 Electric defrost kit (2/2) - Controller : No controller 1
 Flooding valve - Standard adjustable 1
 Liquid line kit - Standard replaceable 1
 Low ambient Kit - Standard 1
 Oil separator - Standard 1
 Pressure controls - Adjustable (Johnson P170 Series Dual Control with flexible hoses) 1
 Pressure gauges - High and low refrigerant pressure 1
 Suction accumulator - Standard 1
 Suction filter - Standard replaceable 1

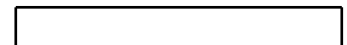
This quote is valid for 30 days. Prices are net. All applicable taxes extra.
 F.O.B plant in St-Hubert, Québec , Canada



Solenoid for liquid line kit - Standard

1

This quote is valid for 30 days. Prices are net. All applicable taxes extra.
F.O.B plant in St-Hubert, Québec , Canada





RefPlus Inc.
 2777, Grande-Allée
 St-Hubert, (QC), J4T 2R4
 Tél : (450) 641-2665
 Fax : (450) 641-4554

Quote #	Item #
160635-A	2.1
Freezer	

OMS-140-1LA-9

General Informations

Ambient Temperature :	95	°F	Capacity :	55.41	mbh
Saturated Suction Temp. :	-23	°F		(4.62)	tons
Unit SST Range Capability :	-40 to 0	°F			
Refrigerant Type :	R-448A/R-449A		Unit Estimated Weight :	1782.00	lbs
Application :	LOW TEMPERATURE		Options Estimated Weight :	185.00	lbs
			Total Estimated Weight :	1967.00	lbs
			Unit Type :	Outdoor Air Cooled	
			Model Status :	Standard Catalog	

System Electrical Summary Data

System Voltage :	480/3/60	V	System MCA :	34.42	A
System MOP :	50	A			
Control Voltage :	240/1/60	V			

Fan(s) Data

Fan Motor Type :	Single Speed		Fan Arrangement :	1 X 2	
Fan Motor HP :	0.50	HP	Fan Motor Total FLA :	2.94	A
Fan Motor RPM :	1140	RPM			
Fan Motor FLA :	1.70	A			

Condenser Coil(s) Data

Total Summer Charge :	13.10	lbs
Total Winter Charge :	32.70	lbs
Fin Material :	Aluminium	
Tube Material :	Riffle Copper	

Compressor(s) Data

Circuit Quantity :	1	Compressor Type :	SEMI-HERMETIC
		Compressor Brand :	COPELAND

Circuit #1

Compressor Model : 4DHNF63KE-TSK

Unloader : None

RLA (MCC/1.56) :	22.90	A
LRA :	139.00	A
Liquid Connection Size :	7/8	"
Suction Connection Size :	2 1/8	"
Discharge Connection Size :	1 1/8	"
Connections Material :	Copper	

Receiver(s) Data

Receiver #1 (Optional / Oversized)

Model :	10 3/4 " X 48 "	
Total Charge :	138.0	lbs

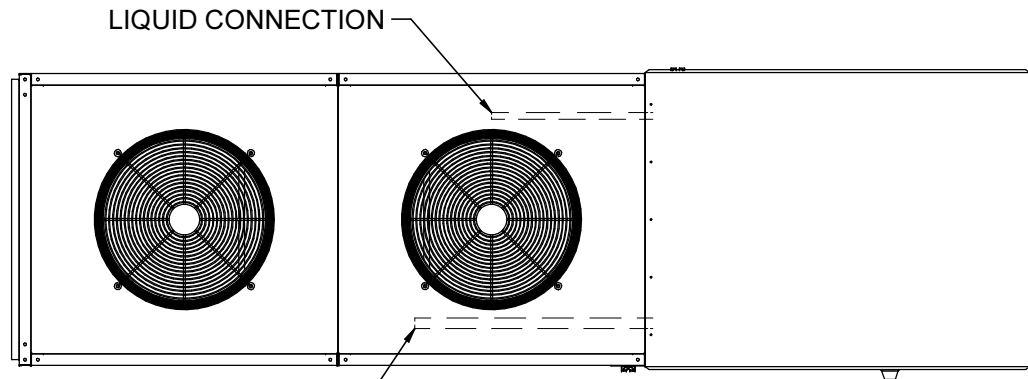
Note(s)

This unit is compatible with the following refrigerants: R-448A/R449A, R-407A/R407F, R404A/R507A

Note(s)

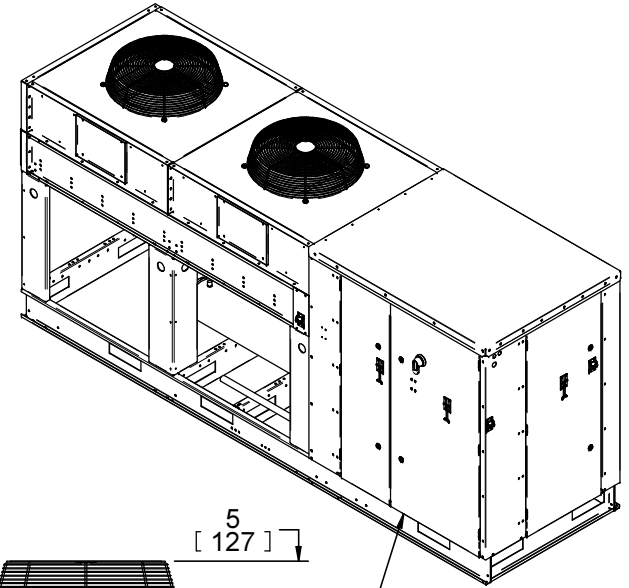
Refrigerants R-404A and R-507A are not allowed in Canada

WARNING: If this unit was AWEF certified, it will lose its certification due to the pressure fan cycling option.



SUCTION CONNECTION

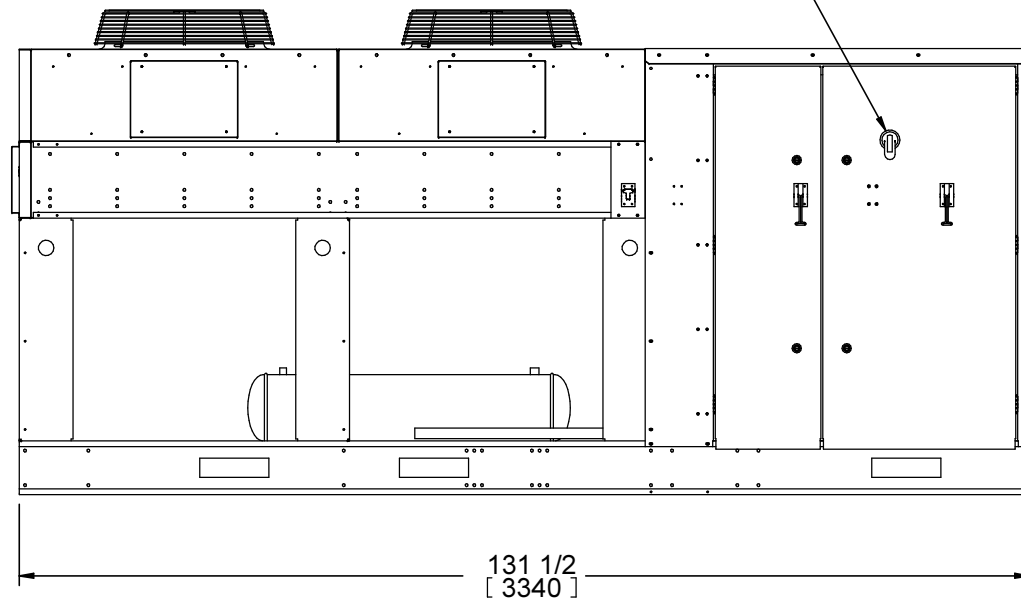
LIQUID CONNECTION



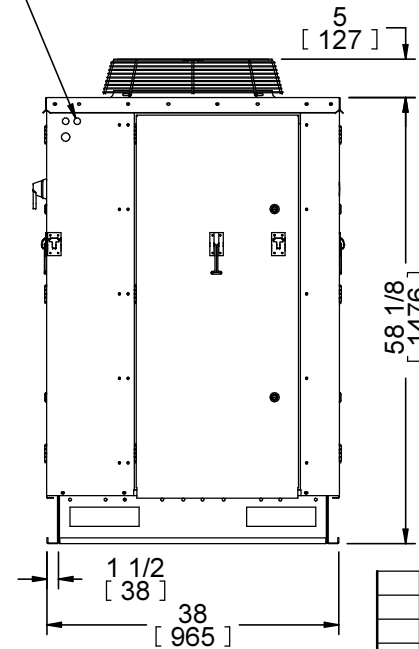
CONTROL BOX

ELECTRICAL SERVICE KNOCKOUTS

OPTIONAL DISCONNECT
(HANDLE TO BE INSTALLED ON JOB SITE)



131 1/2
[3340]



5
[127]

58 1/8
[1476]

1 1/2
[38]

38
[965]

Rev.	Date	Par/By	Description



2777, Grande-Allée
St-Hubert, Québec
CANADA, J4T 2R4
Tel: (450) 641-2665
Fax: (450) 923-5210
www.refplus.com

Modèle / Model :

Par / By :	G.MORIN	Date :	2017-04-13
Numéro Dessin / Drawing Number		Rev.	
OMI2E			

Copyright © 2012 Refplus inc. Tous droits réservés. Toute reproduction de ces dessins sans l'autorisation écrite de Refplus inc. est strictement interdite. Refplus inc., ses filiales et représentants ne peuvent en aucun cas être tenus responsables pour tout dommage découlant de toute erreur ou omission dans les dessins, ou tout dommage relié aux dessins ou à l'utilisation de ceux-ci par votre compagnie, ses filiales ou ses représentants.

Copyright © 2012 Refplus inc. All rights reserved. Any reproduction, in whole or in part, of these drawings is strictly prohibited without the written consent of Refplus inc. Refplus inc., its affiliates and representatives expressly disclaim any and all liability based on or relating to these drawings, or errors or omissions in same, or based on the use of these drawings by you, your affiliates or representatives.

Note:

À moins d'avis contraire, les dimensions sont en pouces / Unless otherwise specified, dimensions are in inches.

Tolérances / Tolerances

Frac: ±1/8 Dec: --- Ang: ± 2°

Non à l'échelle / Not to scale



RefPlus Inc.
 2777, Grande-Allée
 St-Hubert, (QC), J4T 2R4
 Tél : (450) 641-2665
 Fax : (450) 641-4554

Quote #	Item #
160635-A	2.2
Freezer	

To :

FES Ohio
 Attn : Joe Rubino
 1725 Washington Road- Suite 302
 Pittsburgh, PA USA
 15241

Informations :

Project Name : Warabeya Ohio Commissary - All Bidding Contractors
Created : 04/19/2024
Created By : Joe Rubino
Last Change : 04/19/2024
Last Change By : Joe Rubino
Tel. : 412 595-8571 Ext. :
Cell : 412-580-5825
Fax :
E-mail :

jrubino@fesohio.com

ITEM #	TAG	DESCRIPTION	QTY	UNIT PRICE	TOTAL PRICE
2.2		EME-07200-9	1		

Capacity 57.84 mbh
 TD 10.4 °FTD
 Main Voltage 480/3/60
 Refrigerant R-448A
 FPI 4

OPTIONS

Electronic expansion valve (EEV) - KE2 RSV series 1
 Note - This unit is in a system 1
 Air Throw - Standard 1
 Casing finish - Standard 1
 Controller for EEV/TXV - Refplus Guardian+ factory installed 1
 Liquid line solenoid(s) - Standard factory installed 1

This quote is valid for 30 days. Prices are net. All applicable taxes extra.
 F.O.B plant in St-Hubert, Québec , Canada





RefPlus Inc.
 2777, Grande-Allée
 St-Hubert, (QC), J4T 2R4
 Tél : (450) 641-2665
 Fax : (450) 641-4554

Quote #	Item #
160635-A	2.2
Freezer	

EME-07200-9

General Informations

Capacity : **57.840 mbh @ 10.4 °FTD @ 0 °F SST**
(4.82 tons @ 10.4 °FTD @ 0 °F SST)

Unit TD Range Capability :	6 To 30	°F	Defrost Type :	Electric defrost
Unit SST Range Capability :	-40 To 30	°F	Unit Estimated Weight :	720.00 lbs
Liquid Temperature :	100.00	°F	Options Estimated Weight :	30.00 lbs
Refrigerant Type :	R-448A		Total Estimated Weight :	750.00 lbs
Refrigerant Charge :	23.60	lbs	Unit Type :	Medium industrial walk-in

Model Status : **Standard Catalog**

Fan(s) Data

Fan Motor Type :	Single Speed		Fan Arrangement :	1 X 3
Fan Motor HP :	0.50	HP	Fan Motor Total FLA :	2.85 A
Fan Motor RPM :	1140	RPM	Total Nominal CFM :	12300.00
Fan Motor FLA :	0.95	A		

DX Coil(s) Data

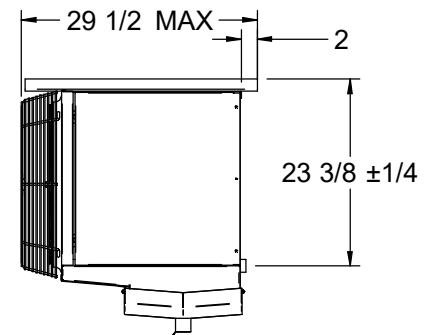
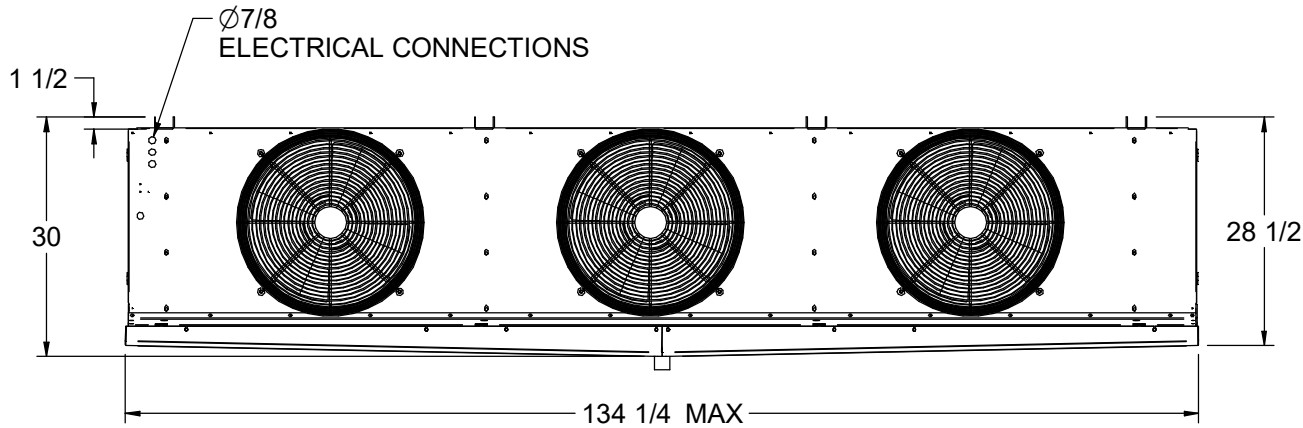
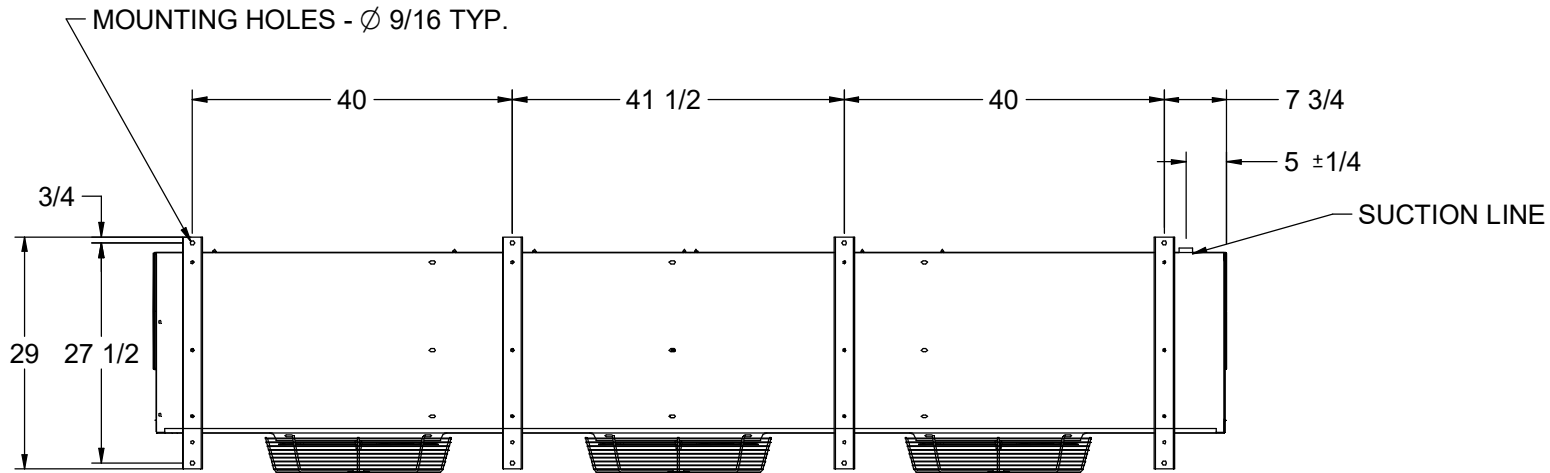
Fins Per Inch :	4	FPI	Fin Material :	Aluminium
Coil Quantity :	1		Tube Material :	Copper
			Connections Material :	Copper
			Distributor Connection Size :	7/8"
			Suction Connection Size :	1 5/8"
			Hot Gas Connection Size :	N/A

Heater(s) Data

Heater Quantity In Coil :	9		Heater FLA :	11.81 A
Heater Quantity In Drain Pan :	3		Heater Total Power (Kw) :	9.82 Kw

System Electrical Summary Data

Unit Voltage :	480/3/60		Fan Motor & Ctrl MCA :	3.09 A
Heater MCA :	14.76	A	Fan Motor & Ctrl MOP :	15 A
Heater MOP :	15	A		
Control Voltage :	240/1/60	V		



1 1/4 FPT REMOVABLE DRAIN FITTING

K	10-01-23	MN	MISE À JOUR
J	22-05-19	OBH	MISE À JOUR DU CARTOUCHE
I	08-03-19	OBH	CHANGEMENT DRAIN PAN
H	12-06-17	S.V.	TRANSITION AUTOCAD-SOLIDEDGE
G	18-04-16	MC.	ENLEVER LE MODÈLE EMIGHI
F	06-02-07	MC.	DRAIN 1 1/4 FPT ÉTAIT 7/8 ID.
E	23-03-04	MC.	DESSOUS EN PENTE. ÉLARGIR LE BAC.
D	01-10-02	MC.	BAC D'ÉGOUT. EN PENTE

Rev.	Date	Par/By	Description
------	------	--------	-------------

REFPLUS

2777, Grande-Allée
St-Hubert, Québec
CANADA, J4T 2R4
Tel: (450) 641-2665
Fax: (450) 923-5210
www.refplus.com

Copyright © 2012 Refplus inc. Tous droits réservés. Toute reproduction de ces dessins sans l'autorisation écrite de Refplus inc. est strictement interdite. Refplus inc., ses filiales et représentants ne peuvent en aucun cas être tenus responsables pour tout dommage découlant de toute erreur ou omission dans les dessins, ou tout dommage relié aux dessins ou à l'utilisation de ceux-ci par votre compagnie, ses filiales ou ses représentants.

Copyright © 2012 Refplus inc. All rights reserved. Any reproduction, in whole or in part, of these drawings is strictly prohibited without the written consent of Refplus inc. Refplus inc., its affiliates and representatives expressly disclaim any and all liability based on or relating to these drawings, or errors or omissions in same, or based on the use of these drawings by you, your affiliates or representatives.

Note:

À moins d'avis contraire, les dimensions sont en pouces / Unless otherwise specified, dimensions are in inches.

Tolérances / Tolerances

Frac: ±1/8 Dec: --- Ang: ± 2°

Non à l'échelle / Not to scale

Modèle / Model :

EMIAE, 3 VENT.

Par / By : Samuel Vendetti

Date : 01 SEPT. 1998

Numéro Dessin / Drawing Number

EMI0003

Rev.

K



RefPlus Inc.
 2777, Grande-Allée
 St-Hubert, (QC), J4T 2R4
 Tél : (450) 641-2665
 Fax : (450) 641-4554

Quote #	Item #
160635-A	3

To :

FES Ohio
 Attn : Joe Rubino
 1725 Washington Road- Suite 302
 Pittsburgh, PA USA
 15241

Informations :

Project Name : Warabeya Ohio Commissary - All Bidding Contractors
 Created : 04/19/2024
 Created By : Joe Rubino
 Last Change : 04/19/2024
 Last Change By : Joe Rubino
 Tel. : 412 595-8571 Ext. :
 Cell : 412-580-5825
 Fax :
 E-mail :

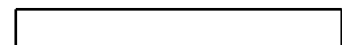
jrubino@fesohio.com

ITEM #	TAG	DESCRIPTION	QTY	UNIT PRICE	TOTAL PRICE
3	8 port	KE2 Switch	3		

OPTION (SHIP LOOSE)

KE2 Switch - 8 ports (20166)	3
REM-5187	3

This quote is valid for 30 days. Prices are net. All applicable taxes extra.
 F.O.B plant in St-Hubert, Québec , Canada





RefPlus Inc.
 2777, Grande-Allée
 St-Hubert, (QC), J4T 2R4
 Tél : (450) 641-2665
 Fax : (450) 641-4554

Quote #	Item #
160635-A	4

To :

FES Ohio
 Attn : Joe Rubino
 1725 Washington Road- Suite 302
 Pittsburgh, PA USA
 15241

Informations :

Project Name : Warabeya Ohio Commissary - All Bidding Contractors
Created : 04/19/2024
Created By : Joe Rubino
Last Change : 04/19/2024
Last Change By : Joe Rubino
Tel. : 412 595-8571 Ext. :
Cell : 412-580-5825
Fax :
E-mail :

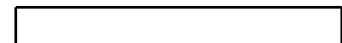
jrubino@fesohio.com

ITEM #	TAG	DESCRIPTION	QTY	UNIT PRICE	TOTAL PRICE
4	16 ports	KE2 Switch	6		

OPTION (SHIP LOOSE)

KE2 Switch - 16 ports (21011) 6
 REM-5318 6

This quote is valid for 30 days. Prices are net. All applicable taxes extra.
 F.O.B plant in St-Hubert, Québec , Canada





RefPlus Inc.
 2777, Grande-Allée
 St-Hubert, (QC), J4T 2R4
 Tél : (450) 641-2665
 Fax : (450) 641-4554

Quote #	Item #
160635-A	5

To :

FES Ohio
 Attn : Joe Rubino
 1725 Washington Road- Suite 302
 Pittsburgh, PA USA
 15241

Informations :

Project Name : Warabeya Ohio Commissary - All Bidding Contractors
 Created : 04/19/2024
 Created By : Joe Rubino
 Last Change : 04/19/2024
 Last Change By : Joe Rubino
 Tel. : 412 595-8571 Ext. :
 Cell : 412-580-5825
 Fax :
 E-mail :

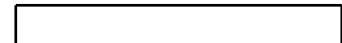
jrubino@fesohio.com

ITEM #	TAG	DESCRIPTION	QTY	UNIT PRICE	TOTAL PRICE
5		KE2 EM PLUS	3		

OPTION (SHIP LOOSE)

KE2 Bracket - Ceiling mounting bracket (21924)	3
REM-5387	3
KE2 EM PLUS - With BACnet (21920)	3
REM-5373	3

This quote is valid for 30 days. Prices are net. All applicable taxes extra.
 F.O.B plant in St-Hubert, Québec , Canada





RefPlus Inc.
 2777, Grande-Allée
 St-Hubert, (QC), J4T 2R4
 Tél : (450) 641-2665
 Fax : (450) 641-4554

Quote #	Item #
160635-A	6

To :

FES Ohio
 Attn : Joe Rubino
 1725 Washington Road- Suite 302
 Pittsburgh, PA USA
 15241

Informations :

Project Name : Warabeya Ohio Commissary - All Bidding Contractors
Created : 04/19/2024
Created By : Joe Rubino
Last Change : 04/19/2024
Last Change By : Joe Rubino
Tel. : 412 595-8571 Ext. :
Cell : 412-580-5825
Fax :
E-mail :

jrubino@fesohio.com

ITEM #	TAG	DESCRIPTION	QTY	UNIT PRICE	TOTAL PRICE
6	Room # 127	LSA-0451-1W	1		

Total Capacity 18.63 mbh
 Sensible Capacity 9.81 mbh
 Main Voltage 120/1/60
 Cooling Mode
 FPI 6 (Standard)

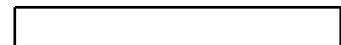
OPTIONS

Motor(s) - ECM 2 Speeds 1
 Circuits - Custom 1
 Defrost type - Air defrost 1
 Drain pan insulation - Standard 1
 Casing finish - Standard 1

ADDITIONAL ITEMS

Controller for EEV/TXV - Refplus Guardian+ factory installed 1

This quote is valid for 30 days. Prices are net. All applicable taxes extra.
 F.O.B plant in St-Hubert, Québec , Canada





RefPlus Inc.
 2777, Grande-Allée
 St-Hubert, (QC), J4T 2R4
 Tél : (450) 641-2665
 Fax : (450) 641-4554

Quote #	Item #
160635-A	6

LSA-0451-1W

Tag : Room # 127

General Informations

Heat Exchange Mode :	Cooling Mode	Row :	2
Model Status :	Standard Catalog	Fins Per Inch :	6
Entering Dry Bulb :	65.0 °F	Internal Volume :	0.06 Ft ³
Entering Wet Bulb :	60.0 °F	Fluid Volume :	0.48 gal
Entering Liquid Temp :	26.0 °F	Unit Estimated Weight :	26.00 lbs
Leaving Liquid Temp :	33.3 °F	Options Added Weight :	0.00 lbs
Max Pressure Drop :	8 PSI	Total Estimated Weight :	26.00 lbs
Altitude :	0 Ft	Fluid Type :	Propylene Glycol (built in)
Unit Type :	Low silhouette walk-in	Concentration :	30.00 %
Defrost Type :	Air defrost		

Fan(s) Data

Fan Motor Type :	ECM	Fan Arrangement :	1 X 1
Fan Motor HP :	50.00 W	Fan Motor Total FLA :	1.00 A
Fan Motor RPM :	1500 RPM		
Fan Motor FLA :	1.03 A		

Coil(s) Data

Fins Per Inch :	6 (Standard)	FPI	Fin Material :	Aluminium
Coil Quantity :	1		Fin Pattern :	E
Connection(s) Quantity :	1		Connection Size In :	0.75" ø MPT
Circuit Quantity :	2		Connection Size Out :	0.75" ø MPT

Heater(s) Data

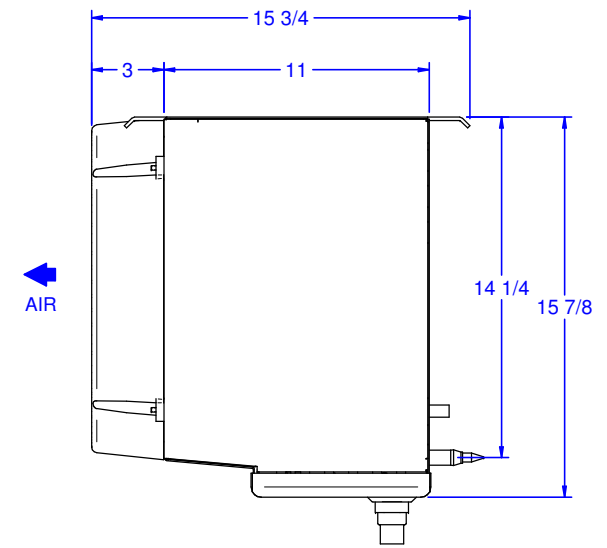
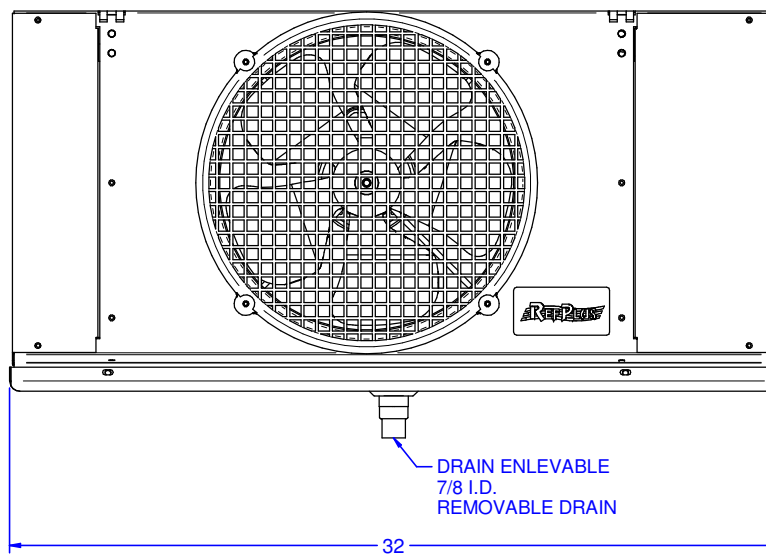
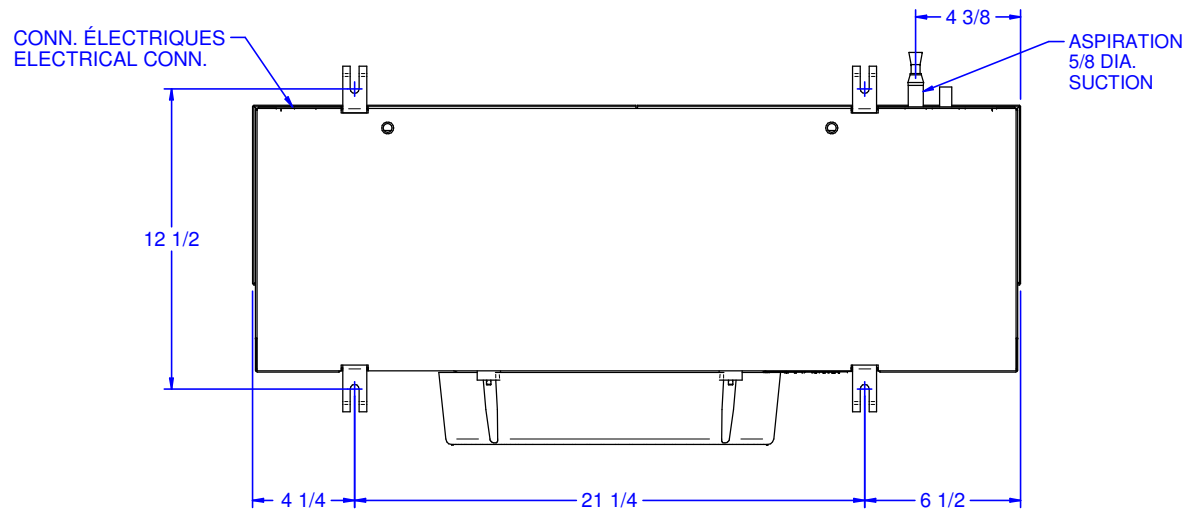
Heater Quantity In Coil :	0	Heater FLA :	0.00 A
Heater Quantity In Drain Pan :	0	Heater Total Power (Kw) :	0.00 Kw

Outputs

AIR SIDE		LIQUID SIDE	
Total Heat :	18.630 mbh	Leaving Liquid Temp :	33.3 °F
Sensible Heat :	9.811 mbh	GPM :	5.3
Latent Heat :	8.819 mbh	Liquid Velocity :	4.4 ft/sec
Leaving Dry Bulb :	56.6 °F	Liquid Pressure Drop :	7.68 PSI 17.72 Ft(H ₂ O)
Leaving Wet Bulb :	54.0 °F	Coil Face Area :	2.08 Sq. Ft

Electrical Summary Data

Unit Voltage :	120/1/60	V	Fan Motor & Ctrl MCA :	1.25 A
Heater MCA :	0.00	A	Fan Motor & Ctrl MOP :	15.00 A
Heater MOP :	0	A		
Control Voltage :	120/1/60	V		



Rev.	Date	Par/By	Description
A	22/05/19	O.BH	MISE A JOUR CARTOUCHE



2777, Grande-Allée
St-Hubert, Québec
CANADA, J4T 2R4
Tel: (450) 641-2665
Fax: (450) 923-5210
www.refplus.com

Copyright © 2012 Refplus inc. Tous droits réservés. Toute reproduction de ces dessins sans l'autorisation écrite de Refplus inc. est strictement interdite. Refplus inc., ses filiales et représentants ne peuvent en aucun cas être tenus responsables pour tout dommage découlant de toute erreur ou omission dans les dessins, ou tout dommage relié aux dessins ou à l'utilisation de ceux-ci par votre compagnie, ses filiales ou ses représentants.

Copyright © 2012 Refplus inc. All rights reserved. Any reproduction, in whole or in part, of these drawings is strictly prohibited without the written consent of Refplus inc. Refplus inc., its affiliates and representatives expressly disclaim any and all liability based on or relating to these drawings, or errors or omissions in same, or based on the use of these drawings by you, your affiliates or representatives.

Note:

À moins d'avis contraire, les dimensions sont en pouces / Unless otherwise specified, dimensions are in inches.

Tolérances / Tolerances
Frac: ±1/8 Dec: --- Ang: ± 2°
Non à l'échelle / Not to scale

Modèle / Model :		LSA 0451, 0551, 0651, LSE IR,TI 0431, 0521, 0621	
Par / By :	M.C.	Date :	27 mai 2008
Numéro Dessin / Drawing Number		Rev.	
LSI00-01		A	



RefPlus Inc.
 2777, Grande-Allée
 St-Hubert, (QC), J4T 2R4
 Tél : (450) 641-2665
 Fax : (450) 641-4554

Quote #	Item #
160635-A	7

To :

FES Ohio
 Attn : Joe Rubino
 1725 Washington Road- Suite 302
 Pittsburgh, PA USA
 15241

Informations :

Project Name : Warabeya Ohio Commissary - All Bidding Contractors
Created : 04/19/2024
Created By : Joe Rubino
Last Change : 04/19/2024
Last Change By : Joe Rubino
Tel. : 412 595-8571 Ext. :
Cell : 412-580-5825
Fax :
E-mail :

jrubino@fesohio.com

ITEM #	TAG	DESCRIPTION	QTY	UNIT PRICE	TOTAL PRICE
7	Room # 129	EQA-04500L-9W	3		

Total Capacity 124.30 mbh
 Sensible Capacity 68.76 mbh
 Main Voltage 480/3/60
 Cooling Mode
 FPI 4

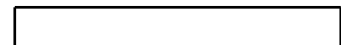
OPTIONS

Circuits - Custom 3
 Defrost type - Air defrost 3
 Motors speed - Standard low speed 3
 Air Throw - Standard 3
 Casing finish - Standard 3

ADDITIONAL ITEMS

Controller for EEV/TXV - Refplus Guardian+ factory installed 3

This quote is valid for 30 days. Prices are net. All applicable taxes extra.
 F.O.B plant in St-Hubert, Québec , Canada





RefPlus Inc.
 2777, Grande-Allée
 St-Hubert, (QC), J4T 2R4
 Tél : (450) 641-2665
 Fax : (450) 641-4554

Quote #	Item #
160635-A	7

EQA-04500L-9W

Tag : Room # 129

General Informations

Heat Exchange Mode :	Cooling Mode	Row :	3
Model Status :	Standard Catalog	Fins Per Inch :	4
Entering Dry Bulb :	65.0 °F	Internal Volume :	0.54 Ft ³
Entering Wet Bulb :	60.0 °F	Fluid Volume :	4.05 gal
Entering Liquid Temp :	26.0 °F	Unit Estimated Weight :	670.00 lbs
USGPM :	46.00	Options Added Weight :	0.00 lbs
Max Pressure Drop :	10 PSI	Total Estimated Weight :	670.00 lbs
Altitude :	0 Ft	Fluid Type :	Propylene Glycol (built in)
Unit Type :	Large industrial walk-in with Ziehl	Concentration :	30.00 %
	Abegg		
Defrost Type :	Air defrost		

Fan(s) Data

Fan Motor Type :	Two Speeds	Fan Arrangement :	1 X 1
Fan Motor HP :	0.50 HP	Fan Motor Total FLA :	1.10 A
Fan Motor RPM :	510 RPM		
Fan Motor FLA :	1.10 A		
Motor Speed For Selection :	Low Speed		

Coil(s) Data

Fins Per Inch :	4 FPI	Fin Material :	Aluminium
Coil Quantity :	1	Fin Pattern :	F
Connection(s) Quantity :	1	Connection Size In :	2" ø MPT
Circuit Quantity :	30	Connection Size Out :	2" ø MPT

Heater(s) Data

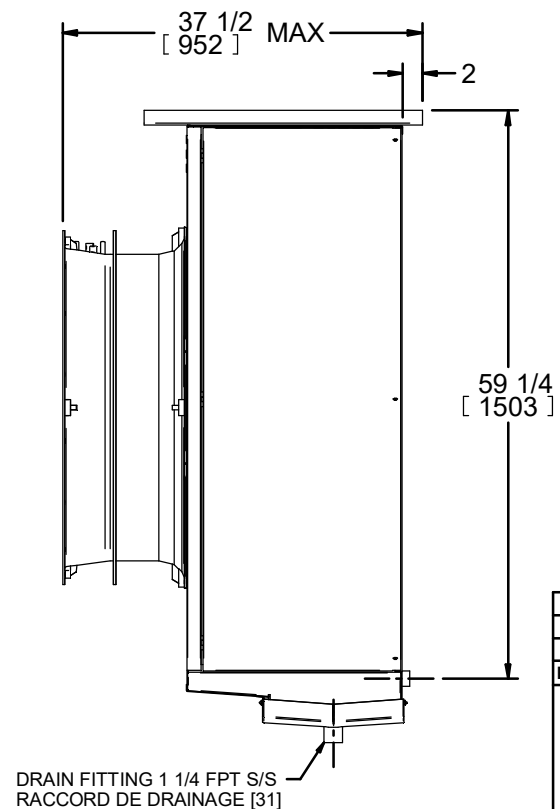
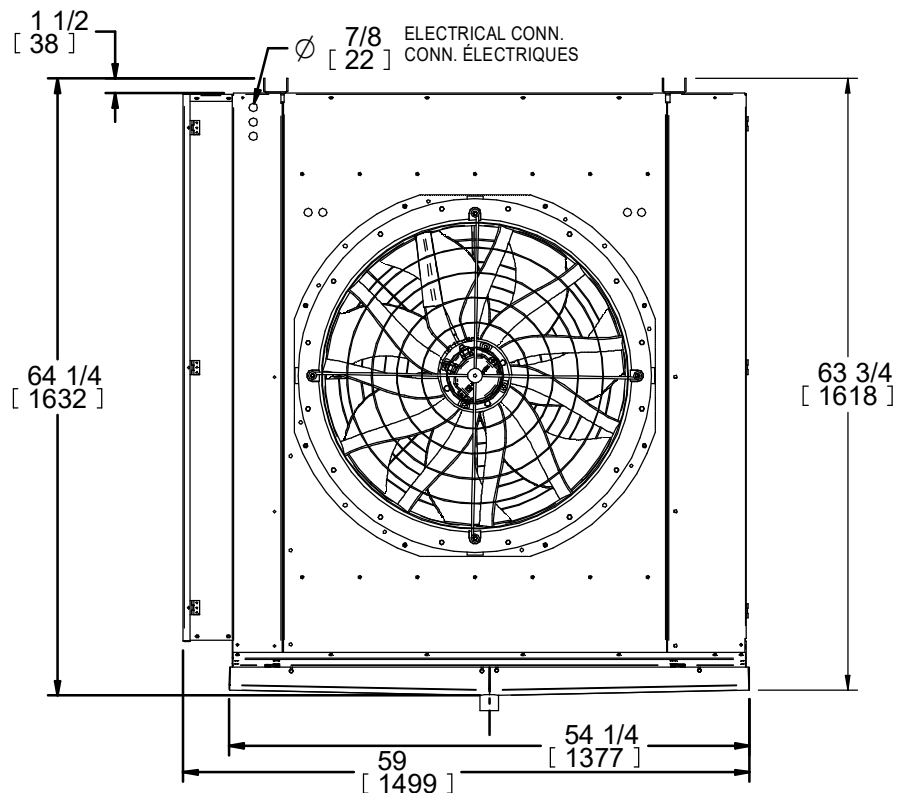
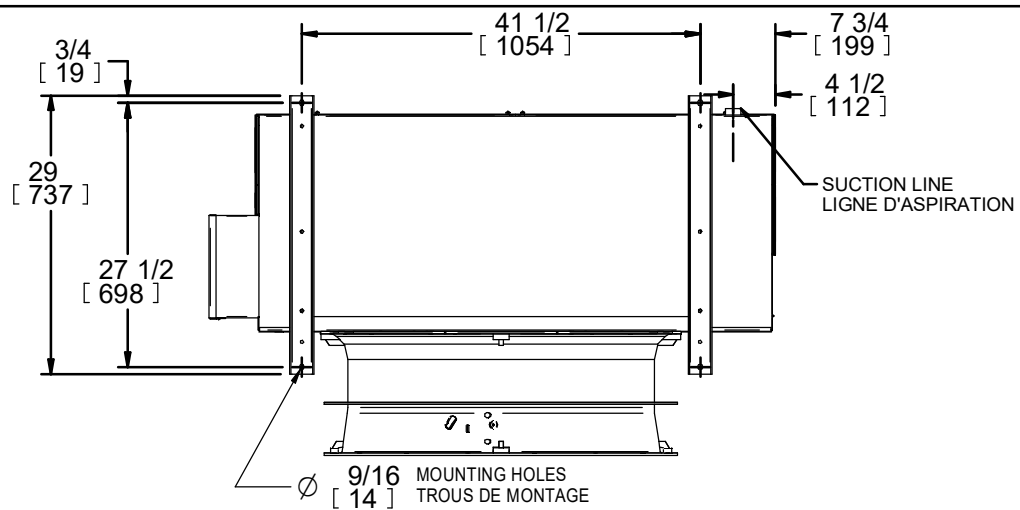
Heater Quantity In Coil :	0	Heater FLA :	0.00 A
Heater Quantity In Drain Pan :	0	Heater Total Power (Kw) :	0.00 Kw

Outputs

AIR SIDE		LIQUID SIDE	
Total Heat :	124.302 mbh	Leaving Liquid Temp :	31.6 °F
Sensible Heat :	68.757 mbh	GPM :	46.0
Latent Heat :	55.545 mbh	Liquid Velocity :	2.6 ft/sec
Leaving Dry Bulb :	55.8 °F	Liquid Pressure Drop :	2.84 PSI 6.55 Ft(H ₂ O)
Leaving Wet Bulb :	53.8 °F	Coil Face Area :	16.67 Sq. Ft

Electrical Summary Data

Unit Voltage :	480/3/60 V	Fan Motor & Ctrl MCA :	1.38 A
Heater MCA :	0.00 A	Fan Motor & Ctrl MOP :	15.00 A
Heater MOP :	0 A		
Control Voltage :	120/1/60 V		



C	03/31/2023	MN	MISE À JOUR
B	08/01/2020	OBH	AGRANDIR LA BOÎTE ÉLECTRIQUE
A	12/12/2019	OBH	TRANSITION VERS SOLIDEDGE
Rev.	Date	Par/By	Description



2777, Grande-Allée
St-Hubert, Québec
CANADA, J4T 2R4
Tel: (450) 641-2665
Fax: (450) 923-5210
www.refplus.com

Copyright © 2012 Refplus inc. Tous droits réservés. Toute reproduction de ces dessins sans l'autorisation écrite de Refplus inc. est strictement interdite. Refplus inc., ses filiales et représentants ne peuvent en aucun cas être tenus responsables pour tout dommage découlant de toute erreur ou omission dans les dessins, ou tout dommage relié aux dessins ou à l'utilisation de ceux-ci par votre compagnie, ses filiales ou ses représentants.

Copyright © 2012 Refplus inc. All rights reserved. Any reproduction, in whole or in part, of these drawings is strictly prohibited without the written consent of Refplus inc. Refplus inc., its affiliates and representatives expressly disclaim any and all liability based on or relating to these drawings, or errors or omissions in same, or based on the use of these drawings by you, your affiliates or representatives.

Note:

À moins d'avis contraire, les dimensions sont en pouces / Unless otherwise specified, dimensions are in inches.
Tolérances / Tolerances
Frac: ±1/8 Dec: --- Ang: ± 2°
Non à l'échelle / Not to scale

Modèle / Model : IND. WALK-IN COOLER	
EQ I A, E, G, HI - EX IA, E, G, HI I FAN	
Par / By : MC	Date : 02-05-2016
Numéro Dessin / Drawing Number EQ10001	Rev. C



RefPlus Inc.
 2777, Grande-Allée
 St-Hubert, (QC), J4T 2R4
 Tél : (450) 641-2665
 Fax : (450) 641-4554

Quote #	Item #
160635-A	8

To :

FES Ohio
 Attn : Joe Rubino
 1725 Washington Road- Suite 302
 Pittsburgh, PA USA
 15241

Informations :

Project Name : Warabeya Ohio Commissary - All Bidding Contractors
Created : 04/19/2024
Created By : Joe Rubino
Last Change : 04/19/2024
Last Change By : Joe Rubino
Tel. : 412 595-8571 Ext. :
Cell : 412-580-5825
Fax :
E-mail :

jrubino@fesohio.com

ITEM #	TAG	DESCRIPTION	QTY	UNIT PRICE	TOTAL PRICE
8	Room # 131	LSA-1081-1W	1		

Total Capacity 53.81 mbh
 Sensible Capacity 27.69 mbh
 Main Voltage 120/1/60
 Cooling Mode
 FPI 6 (Standard)

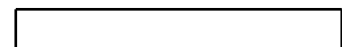
OPTIONS

Motor(s) - ECM 2 Speeds 1
 Circuits - Custom 1
 Defrost type - Air defrost 1
 Drain pan insulation - Standard 1
 Casing finish - Standard 1

ADDITIONAL ITEMS

Controller for EEV/TXV - Refplus Guardian+ factory installed 1

This quote is valid for 30 days. Prices are net. All applicable taxes extra.
 F.O.B plant in St-Hubert, Québec , Canada





RefPlus Inc.
 2777, Grande-Allée
 St-Hubert, (QC), J4T 2R4
 Tél : (450) 641-2665
 Fax : (450) 641-4554

Quote #	Item #
160635-A	8

LSA-1081-1W

Tag : Room # 131

General Informations

Heat Exchange Mode :	Cooling Mode	Row :	3
Model Status :	Standard Catalog	Fins Per Inch :	6
Entering Dry Bulb :	72.0 °F	Internal Volume :	0.14 Ft ³
Entering Wet Bulb :	65.0 °F	Fluid Volume :	1.08 gal
Entering Liquid Temp :	26.0 °F	Unit Estimated Weight :	42.00 lbs
USGPM :	11.00	Options Added Weight :	0.00 lbs
Max Pressure Drop :	20 PSI	Total Estimated Weight :	42.00 lbs
Altitude :	0 Ft	Fluid Type :	Propylene Glycol (built in)
Unit Type :	Low silhouette walk-in	Concentration :	30.00 %
Defrost Type :	Air defrost		

Fan(s) Data

Fan Motor Type :	ECM	Fan Arrangement :	1 X 2
Fan Motor HP :	50.00 W	Fan Motor Total FLA :	2.00 A
Fan Motor RPM :	1500 RPM		
Fan Motor FLA :	1.03 A		

Coil(s) Data

Fins Per Inch :	6 (Standard)	FPI	Fin Material :	Aluminium
Coil Quantity :	1		Fin Pattern :	E
Connection(s) Quantity :	1		Connection Size In :	1" ø MPT
Circuit Quantity :	3		Connection Size Out :	1" ø MPT

Heater(s) Data

Heater Quantity In Coil :	0	Heater FLA :	0.00 A
Heater Quantity In Drain Pan :	0	Heater Total Power (Kw) :	0.00 Kw

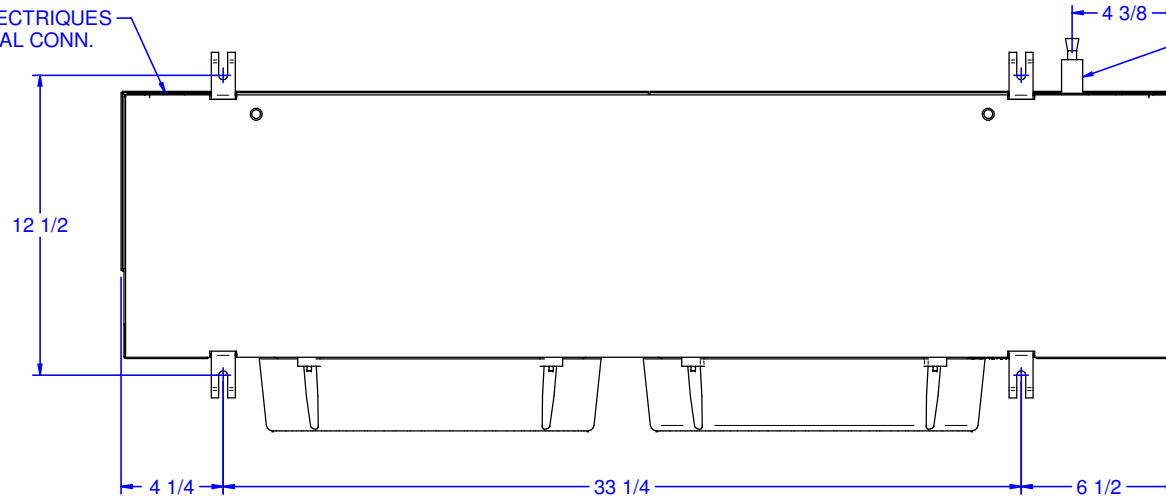
Outputs

AIR SIDE		LIQUID SIDE	
Total Heat :	53.805 mbh	Leaving Liquid Temp :	36.2 °F
Sensible Heat :	27.692 mbh	GPM :	11.0
Latent Heat :	26.113 mbh	Liquid Velocity :	6.1 ft/sec
Leaving Dry Bulb :	56.9 °F	Liquid Pressure Drop :	19.41 PSI 44.77 Ft(H ₂ O)
Leaving Wet Bulb :	54.7 °F	Coil Face Area :	3.33 Sq. Ft

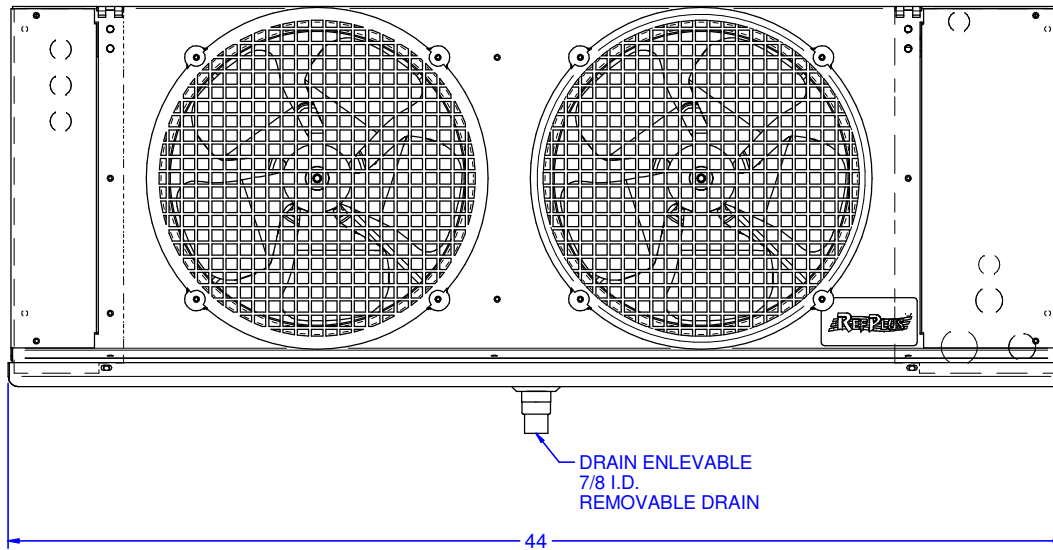
Electrical Summary Data

Unit Voltage :	120/1/60	V	Fan Motor & Ctrl MCA :	2.25 A
Heater MCA :	0.00	A	Fan Motor & Ctrl MOP :	15.00 A
Heater MOP :	0	A		
Control Voltage :	120/1/60	V		

CONN. ÉLECTRIQUES
ELECTRICAL CONN.

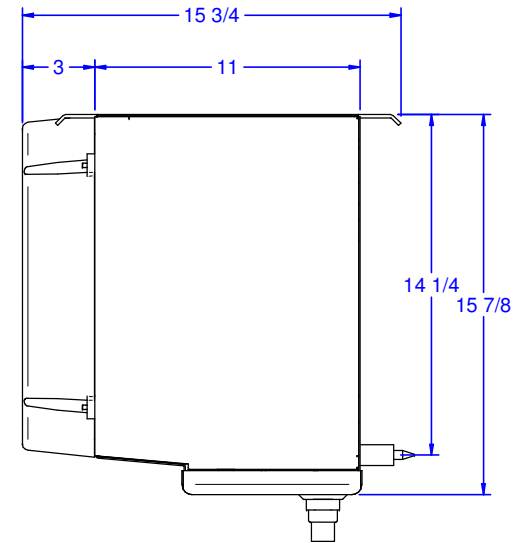


ASPIRATION
7/8 DIA.
SUCTION



DRAIN ENLEVABLE
7/8 I.D.
REMOVABLE DRAIN

AIR



Copyright © 2012 Refplus inc. Tous droits réservés. Toute reproduction de ces dessins sans l'autorisation écrite de Refplus inc. est strictement interdite. Refplus inc., ses filiales et représentants ne peuvent en aucun cas être tenus responsables pour tout dommage découlant de toute erreur ou omission dans les dessins, ou tout dommage relié aux dessins ou à l'utilisation de ceux-ci par votre compagnie, ses filiales ou ses représentants.

Copyright © 2012 Refplus inc. All rights reserved. Any reproduction, in whole or in part, of these drawings is strictly prohibited without the written consent of Refplus inc. Refplus inc., its affiliates and representatives expressly disclaim any and all liability based on or relating to these drawings, or errors or omissions in same, or based on the use of these drawings by you, your affiliates or representatives.

Note:

À moins d'avis contraire, les dimensions sont en pouces / Unless otherwise specified, dimensions are in inches.

Tolérances / Tolerances

Frac: ±1/8 Dec: --- Ang: ± 2°

Non à l'échelle / Not to scale

Rev.	Date	Par/By	Description
A	22/05/19	O.BH	MISE A JOUR CARTOUCHE



2777, Grande-Allée
St-Hubert, Québec
CANADA, J4T 2R4
Tel: (450) 641-2665
Fax: (450) 923-5210
www.refplus.com

Modèle / Model :		LSA 092I, 108I LSE (R,T) 088I, 103I	
Par / By :	M.C.	Date :	27 mai 2008
Numéro Dessin / Drawing Number		Rev.	
LSI00-05		A	



RefPlus Inc.
 2777, Grande-Allée
 St-Hubert, (QC), J4T 2R4
 Tél : (450) 641-2665
 Fax : (450) 641-4554

Quote #	Item #
160635-A	9

To :

FES Ohio
 Attn : Joe Rubino
 1725 Washington Road- Suite 302
 Pittsburgh, PA USA
 15241

Informations :

Project Name : Warabeya Ohio Commissary - All Bidding Contractors
Created : 04/19/2024
Created By : Joe Rubino
Last Change : 04/19/2024
Last Change By : Joe Rubino
Tel. : 412 595-8571 Ext. :
Cell : 412-580-5825
Fax :
E-mail :

jrubino@fesohio.com

ITEM #	TAG	DESCRIPTION	QTY	UNIT PRICE	TOTAL PRICE
9	Room # 132, 134	EJA-02500L-9W	4		

Total Capacity 141.06 mbh
 Sensible Capacity 74.14 mbh
 Main Voltage 480/3/60
 Cooling Mode
 FPI 6 (Standard)

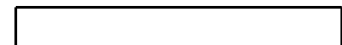
OPTIONS

Circuits - Custom 4
 Defrost type - Air defrost 4
 Motors speed - Standard low speed 4
 Air Throw - Standard 4
 Casing finish - Standard 4

ADDITIONAL ITEMS

Controller for EEV/TXV - Refplus Guardian+ factory installed 4

This quote is valid for 30 days. Prices are net. All applicable taxes extra.
 F.O.B plant in St-Hubert, Québec , Canada





RefPlus Inc.
 2777, Grande-Allée
 St-Hubert, (QC), J4T 2R4
 Tél : (450) 641-2665
 Fax : (450) 641-4554

Quote #	Item #
160635-A	9

EJA-02500L-9W

Tag : Room # 132, 134

General Informations

Heat Exchange Mode :	Cooling Mode	Row :	3
Model Status :	Standard Catalog	Fins Per Inch :	6
Entering Dry Bulb :	72.0 °F	Internal Volume :	0.27 Ft ³
Entering Wet Bulb :	65.0 °F	Fluid Volume :	2.02 gal
Entering Liquid Temp :	26.0 °F	Unit Estimated Weight :	370.00 lbs
USGPM :	61.00	Options Added Weight :	0.00 lbs
Max Pressure Drop :	20 PSI	Total Estimated Weight :	370.00 lbs
Altitude :	0 Ft	Fluid Type :	Propylene Glycol (built in)
Unit Type :	Medium industrial walk-in with Ziehl	Concentration :	30.00 %
	Abegg		
Defrost Type :	Air defrost		

Fan(s) Data

Fan Motor Type :	Two Speeds	Fan Arrangement :	1 X 1
Fan Motor HP :	0.37 HP	Fan Motor Total FLA :	1.00 A
Fan Motor RPM :	1090 RPM		
Fan Motor FLA :	1.00 A		
Motor Speed For Selection :	Low Speed		

Coil(s) Data

Fins Per Inch :	6 (Standard)	FPI	Fin Material :	Aluminium
Coil Quantity :	1		Fin Pattern :	F
Connection(s) Quantity :	1		Connection Size In :	2" ø MPT
Circuit Quantity :	15		Connection Size Out :	2" ø MPT

Heater(s) Data

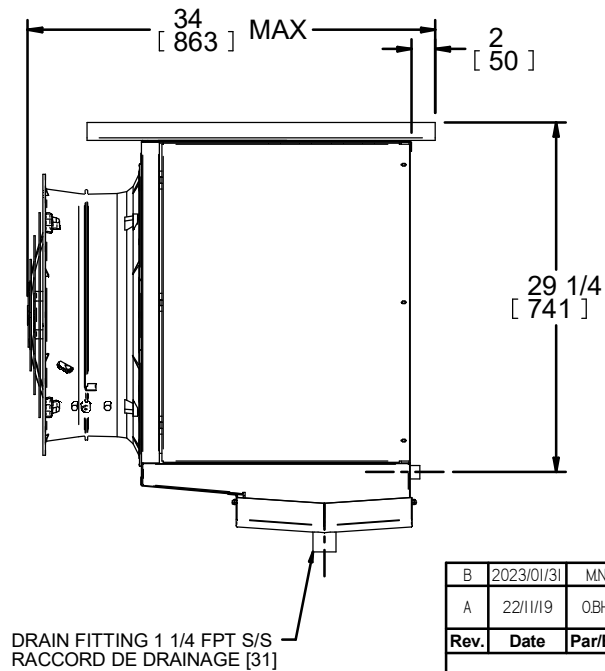
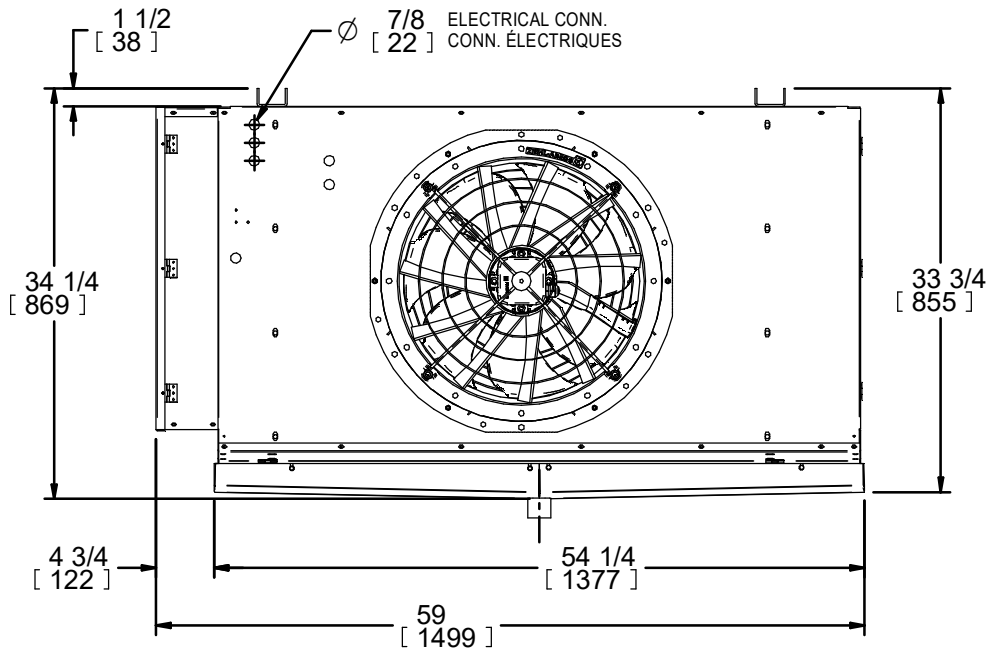
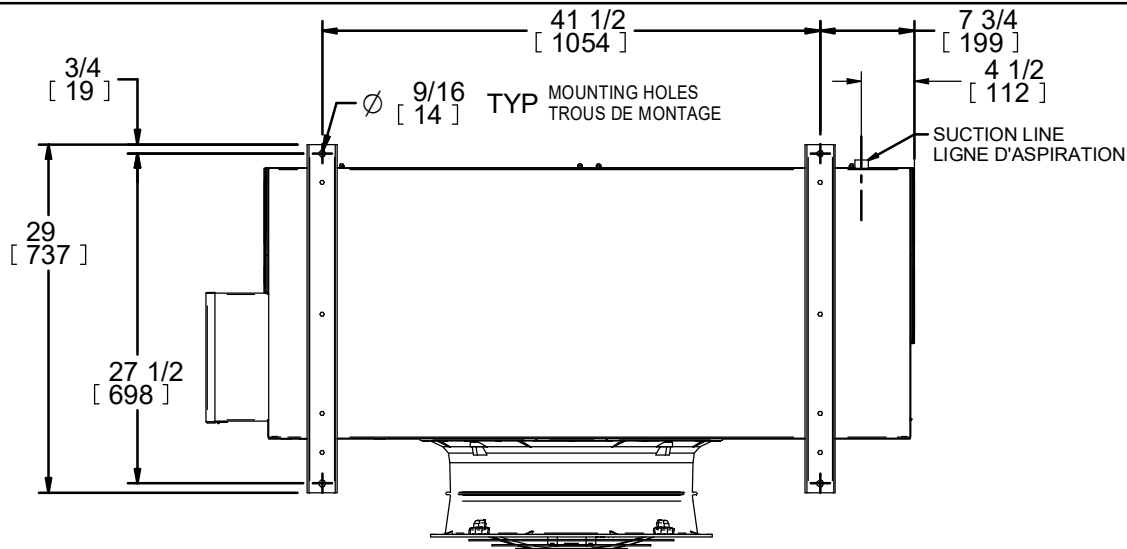
Heater Quantity In Coil :	0	Heater FLA :	0.00 A
Heater Quantity In Drain Pan :	0	Heater Total Power (Kw) :	0.00 Kw

Outputs

AIR SIDE		LIQUID SIDE	
Total Heat :	141.062 mbh	Leaving Liquid Temp :	30.8 °F
Sensible Heat :	74.135 mbh	GPM :	61.0
Latent Heat :	66.927 mbh	Liquid Velocity :	6.9 ft/sec
Leaving Dry Bulb :	55.9 °F	Liquid Pressure Drop :	10.68 PSI 24.64 Ft(H ₂ O)
Leaving Wet Bulb :	54.1 °F	Coil Face Area :	8.33 Sq. Ft

Electrical Summary Data

Unit Voltage :	480/3/60	V	Fan Motor & Ctrl MCA :	1.25 A
Heater MCA :	0.00	A	Fan Motor & Ctrl MOP :	15.00 A
Heater MOP :	0	A		
Control Voltage :	240/1/60	V		



B	2023/01/31	MN	MISE À JOUR
A	22/11/19	OBH	CHANGEMENT DRAIN PAN DOUBLE PENTE & TRANSITION VERS SOLIDEDGE
Rev.	Date	Par/By	Description



2777, Grande-Allée
St-Hubert, Québec
CANADA, J4T 2R4
Tel: (450) 641-2665
Fax: (450) 923-5210
www.refplus.com

Copyright © 2012 Refplus inc. Tous droits réservés. Toute reproduction de ces dessins sans l'autorisation écrite de Refplus inc. est strictement interdite. Refplus inc., ses filiales et représentants ne peuvent en aucun cas être tenus responsables pour tout dommage découlant de toute erreur ou omission dans les dessins, ou tout dommage relié aux dessins ou à l'utilisation de ceux-ci par votre compagnie, ses filiales ou ses représentants.

Copyright © 2012 Refplus inc. All rights reserved. Any reproduction, in whole or in part, of these drawings is strictly prohibited without the written consent of Refplus inc. Refplus inc., its affiliates and representatives expressly disclaim any and all liability based on or relating to these drawings, or errors or omissions in same, or based on the use of these drawings by you, your affiliates or representatives.

Note:

À moins d'avis contraire, les dimensions sont en pouces / Unless otherwise specified, dimensions are in inches.

Tolérances / Tolerances

Frac: ±1/8 Dec: --- Ang: ±2°

Non à l'échelle / Not to scale

Modèle / Model: IND. WALK-IN COOLER
EJ IA, E, G, HI - ZIEHL ABEGG I FAN

Par / By: MC Date: 13/04/2016

Numéro Dessin / Drawing Number

Rev.
B



RefPlus Inc.
 2777, Grande-Allée
 St-Hubert, (QC), J4T 2R4
 Tél : (450) 641-2665
 Fax : (450) 641-4554

Quote #	Item #
160635-A	10

To :

FES Ohio
 Attn : Joe Rubino
 1725 Washington Road- Suite 302
 Pittsburgh, PA USA
 15241

Informations :

Project Name : Warabeya Ohio Commissary - All Bidding Contractors
Created : 04/19/2024
Created By : Joe Rubino
Last Change : 04/19/2024
Last Change By : Joe Rubino
Tel. : 412 595-8571 Ext. :
Cell : 412-580-5825
Fax :
E-mail :

jrubino@fesohio.com

ITEM #	TAG	DESCRIPTION	QTY	UNIT PRICE	TOTAL PRICE
10	Room # 136	EQA-43300-9W	3		

Total Capacity 143.49 mbh
 Sensible Capacity 136.31 mbh
 Main Voltage 480/3/60
 Cooling Mode
 FPI 4

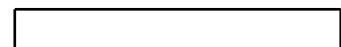
OPTIONS

Circuits - Custom 3
 Defrost type - Air defrost 3
 Motors speed - Standard high speed 3
 Air Throw - Standard 3
 Casing finish - Standard 3

ADDITIONAL ITEMS

Controller for EEV/TXV - Refplus Guardian+ factory installed 3

This quote is valid for 30 days. Prices are net. All applicable taxes extra.
 F.O.B plant in St-Hubert, Québec , Canada





RefPlus Inc.
 2777, Grande-Allée
 St-Hubert, (QC), J4T 2R4
 Tél : (450) 641-2665
 Fax : (450) 641-4554

Quote #	Item #
160635-A	10

EQA-43300-9W

Tag : Room # 136

General Informations

Heat Exchange Mode :	Cooling Mode	Row :	8	
Model Status :	Standard Catalog	Fins Per Inch :	4	
Entering Dry Bulb :	36.0 °F	Internal Volume :	6.58	Ft³
Entering Wet Bulb :	34.0 °F	Fluid Volume :	49.26	gal
Entering Liquid Temp :	26.0 °F	Unit Estimated Weight :	2,750.00	lbs
USGPM :	48.00	Options Added Weight :	0.00	lbs
Max Pressure Drop :	20 PSI	Total Estimated Weight :	2,750.00	lbs
Altitude :	0 Ft	Fluid Type :	Propylene Glycol (built in)	
Unit Type :	Large industrial walk-in with Ziehl	Concentration :	30.00	%
	Abegg			
Defrost Type :	Air defrost			

Fan(s) Data

Fan Motor Type :	Two Speeds	Fan Arrangement :	1 X 5	
Fan Motor HP :	1.25 HP	Fan Motor Total FLA :	12.50	A
Fan Motor RPM :	730 RPM			
Fan Motor FLA :	2.50 A			
Motor Speed For Selection :	High Speed			

Coil(s) Data

Fins Per Inch :	4 FPI	Fin Material :	Aluminium	
Coil Quantity :	1	Fin Pattern :	F	
Connection(s) Quantity :	2	Connection Size In :	2" ø MPT	
Circuit Quantity :	40	Connection Size Out :	2" ø MPT	

Heater(s) Data

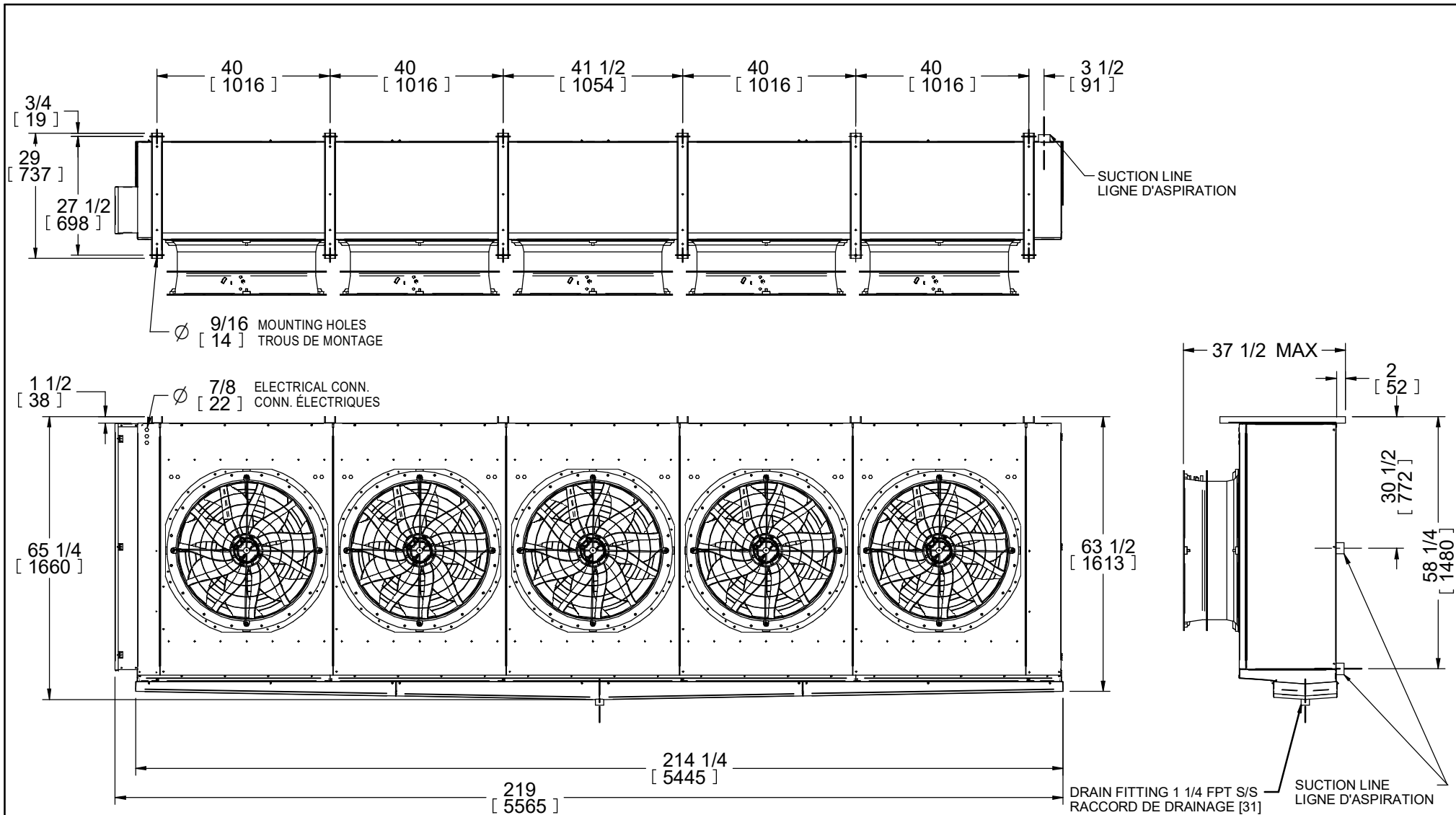
Heater Quantity In Coil :	0	Heater FLA :	0.00	A
Heater Quantity In Drain Pan :	0	Heater Total Power (Kw) :	0.00	Kw

Outputs

AIR SIDE			LIQUID SIDE		
Total Heat :	143.487	mbh	Leaving Liquid Temp :	32.3	°F
Sensible Heat :	136.313	mbh	GPM :	48.0	
Latent Heat :	7.174	mbh	Liquid Velocity :	2.0	ft/sec
Leaving Dry Bulb :	33.0	°F	Liquid Pressure Drop :	7.39 PSI	17.05 Ft(H ₂ O)
Leaving Wet Bulb :	32.1	°F	Coil Face Area :	83.33	Sq. Ft

Electrical Summary Data

Unit Voltage :	480/3/60	V	Fan Motor & Ctrl MCA :	16.00	A
Heater MCA :	0.00	A	Fan Motor & Ctrl MOP :	20.00	A
Heater MOP :	0	A			
Control Voltage :	240/1/60	V			



Rev.	Date	Par/By	Description
			2777, Grande-Allée St-Hubert, Québec CANADA, J4T 2R4 Tel: (450) 641-2665 Fax: (450) 923-5210 www.refplus.com
			Modèle / Model : IND. WALK-IN COOLER EQ IA, E, G, HI - EX IA, E, G, HI 5 FANS
Par / By : obenhafsia		Date : 03/05/2016	
Numéro Dessin / Drawing Number EQ10013			Rev.

Copyright © 2012 Refplus inc. Tous droits réservés. Toute reproduction de ces dessins sans l'autorisation écrite de Refplus inc. est strictement interdite. Refplus inc., ses filiales et représentants ne peuvent en aucun cas être tenus responsables pour tout dommage découlant de toute erreur ou omission dans les dessins, ou tout dommage relié aux dessins ou à l'utilisation de ceux-ci par votre compagnie, ses filiales ou ses représentants.

Copyright © 2012 Refplus inc. All rights reserved. Any reproduction, in whole or in part, of these drawings is strictly prohibited without the written consent of Refplus inc. Refplus inc., its affiliates and representatives expressly disclaim any and all liability based on or relating to these drawings, or errors or omissions in same, or based on the use of these drawings by you, your affiliates or representatives.

Note:

À moins d'avis contraire, les dimensions sont en pouces / Unless otherwise specified, dimensions are in inches.
 Tolérances / Tolerances
 Frac: ±1/8 Dec: --- Ang: ± 2°
 Non à l'échelle / Not to scale

Modèle / Model : IND. WALK-IN COOLER
 EQ IA, E, G, HI - EX IA, E, G, HI 5 FANS
 Par / By : obenhafsia Date : 03/05/2016
 Numéro Dessin / Drawing Number
 EQ10013



RefPlus Inc.
 2777, Grande-Allée
 St-Hubert, (QC), J4T 2R4
 Tél : (450) 641-2665
 Fax : (450) 641-4554

Quote #	Item #
160635-A	11

To :

FES Ohio
 Attn : Joe Rubino
 1725 Washington Road- Suite 302
 Pittsburgh, PA USA
 15241

Informations :

Project Name : Warabeya Ohio Commissary - All Bidding Contractors
Created : 04/19/2024
Created By : Joe Rubino
Last Change : 04/19/2024
Last Change By : Joe Rubino
Tel. : 412 595-8571 Ext. :
Cell : 412-580-5825
Fax :
E-mail :

jrubino@fesohio.com

ITEM #	TAG	DESCRIPTION	QTY	UNIT PRICE	TOTAL PRICE
11	Room # 137	EQA-31500-9W	2		

Total Capacity 123.39 mbh
 Sensible Capacity 117.22 mbh
 Main Voltage 480/3/60
 Cooling Mode
 FPI 4

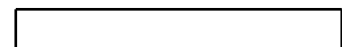
OPTIONS

Circuits - Custom 2
 Defrost type - Air defrost 2
 Motors speed - Standard high speed 2
 Air Throw - Standard 2
 Casing finish - Standard 2

ADDITIONAL ITEMS

Controller for EEV/TXV - Refplus Guardian+ factory installed 2

This quote is valid for 30 days. Prices are net. All applicable taxes extra.
 F.O.B plant in St-Hubert, Québec , Canada





RefPlus Inc.
 2777, Grande-Allée
 St-Hubert, (QC), J4T 2R4
 Tél : (450) 641-2665
 Fax : (450) 641-4554

Quote #	Item #
160635-A	11

EQA-31500-9W

Tag : Room # 137

General Informations

Heat Exchange Mode :	Cooling Mode	Row :	6
Model Status :	Standard Catalog	Fins Per Inch :	4
Entering Dry Bulb :	36.0 °F	Internal Volume :	3.97 Ft³
Entering Wet Bulb :	34.0 °F	Fluid Volume :	29.74 gal
Entering Liquid Temp :	26.0 °F	Unit Estimated Weight :	2,340.00 lbs
USGPM :	45.00	Options Added Weight :	0.00 lbs
Max Pressure Drop :	20 PSI	Total Estimated Weight :	2,340.00 lbs
Altitude :	0 Ft	Fluid Type :	Propylene Glycol (built in)
Unit Type :	Large industrial walk-in with Ziehl	Concentration :	30.00 %
	Abegg		
Defrost Type :	Air defrost		

Fan(s) Data

Fan Motor Type :	Two Speeds	Fan Arrangement :	1 X 4
Fan Motor HP :	1.25 HP	Fan Motor Total FLA :	10.00 A
Fan Motor RPM :	730 RPM		
Fan Motor FLA :	2.50 A		
Motor Speed For Selection :	High Speed		

Coil(s) Data

Fins Per Inch :	4 FPI	Fin Material :	Aluminium
Coil Quantity :	1	Fin Pattern :	F
Connection(s) Quantity :	2	Connection Size In :	2" ø MPT
Circuit Quantity :	30	Connection Size Out :	2" ø MPT

Heater(s) Data

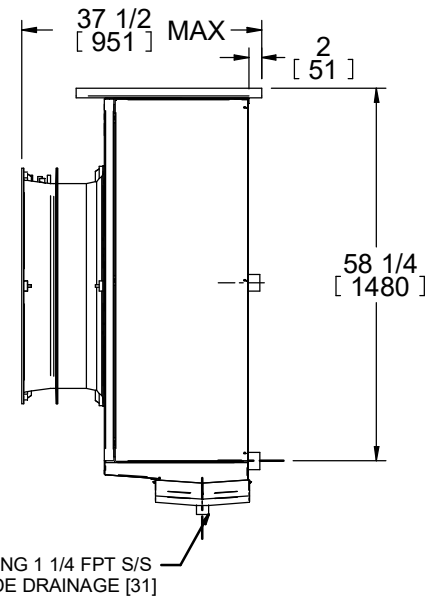
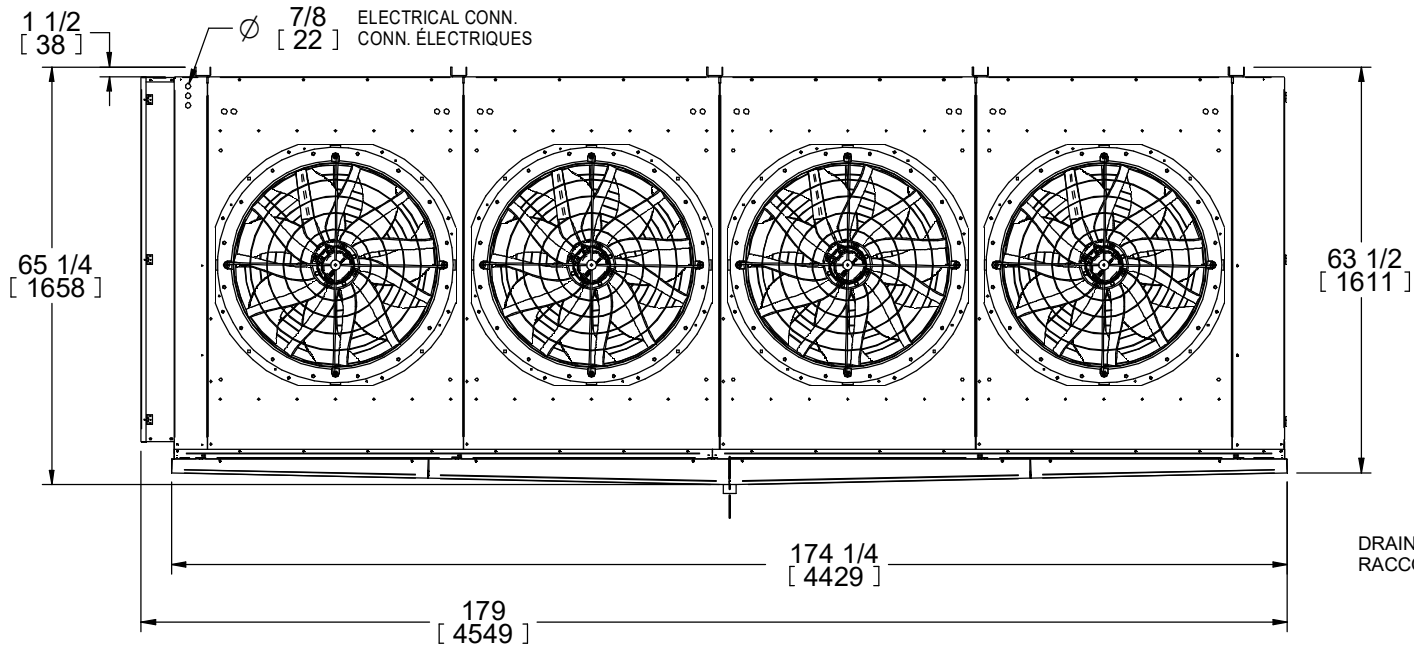
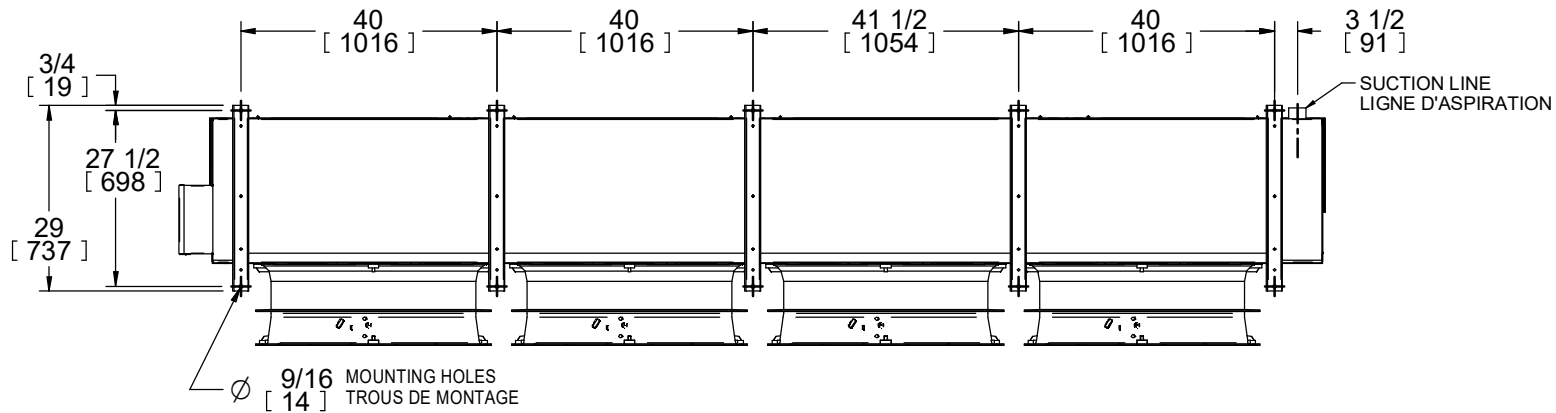
Heater Quantity In Coil :	0	Heater FLA :	0.00 A
Heater Quantity In Drain Pan :	0	Heater Total Power (Kw) :	0.00 Kw

Outputs

AIR SIDE		LIQUID SIDE	
Total Heat :	123.391 mbh	Leaving Liquid Temp :	31.7 °F
Sensible Heat :	117.222 mbh	GPM :	45.0
Latent Heat :	6.169 mbh	Liquid Velocity :	2.5 ft/sec
Leaving Dry Bulb :	33.0 °F	Liquid Pressure Drop :	8.85 PSI 20.41 Ft(H2O)
Leaving Wet Bulb :	32.1 °F	Coil Face Area :	66.67 Sq. Ft

Electrical Summary Data

Unit Voltage :	480/3/60	V	Fan Motor & Ctrl MCA :	10.63	A
Heater MCA :	0.00	A	Fan Motor & Ctrl MOP :	15.00	A
Heater MOP :	0	A			
Control Voltage :	240/1/60	V			



C	23/04/2020	OBH	AJOUT D'UN 2 CIRCUIT POUR LE COIL
B	08/01/2020	OBH	AGRANDIR LA BOÎTE ÉLECTRIQUE
A	12/12/2019	OBH	TRANSITION VERS SOLIDEDGE
Rev.	Date	Par/By	Description



2777, Grande-Allée
St-Hubert, Québec
CANADA, J4T 2R4
Tel: (450) 641-2665
Fax: (450) 923-5210
www.refplus.com

Copyright © 2012 Refplus inc. Tous droits réservés. Toute reproduction de ces dessins sans l'autorisation écrite de Refplus inc. est strictement interdite. Refplus inc., ses filiales et représentants ne peuvent en aucun cas être tenus responsables pour tout dommage découlant de toute erreur ou omission dans les dessins, ou tout dommage relié aux dessins ou à l'utilisation de ceux-ci par votre compagnie, ses filiales ou ses représentants.

Copyright © 2012 Refplus inc. All rights reserved. Any reproduction, in whole or in part, of these drawings is strictly prohibited without the written consent of Refplus inc. Refplus inc., its affiliates and representatives expressly disclaim any and all liability based on or relating to these drawings, or errors or omissions in same, or based on the use of these drawings by you, your affiliates or representatives.

Note:

À moins d'avis contraire, les dimensions sont en pouces / Unless otherwise specified, dimensions are in inches.
Tolérances / Tolerances
Frac: ±1/8 Dec: --- Ang: ± 2°
Non à l'échelle / Not to scale

Modèle / Model : IND. WALK-IN COOLER	
EQ IA, E, G, HI - EX IA, E, G, HI 4 FANS	
Par / By : MC	Date : 03/05/2016
Número Dessin / Drawing Number	Rev.
EQ10004	C



RefPlus Inc.
 2777, Grande-Allée
 St-Hubert, (QC), J4T 2R4
 Tél : (450) 641-2665
 Fax : (450) 641-4554

Quote #	Item #
160635-A	12

To :

FES Ohio
 Attn : Joe Rubino
 1725 Washington Road- Suite 302
 Pittsburgh, PA USA
 15241

Informations :

Project Name : Warabeya Ohio Commissary - All Bidding Contractors
Created : 04/19/2024
Created By : Joe Rubino
Last Change : 04/19/2024
Last Change By : Joe Rubino
Tel. : 412 595-8571 Ext. :
Cell : 412-580-5825
Fax :
E-mail :

jrubino@fesohio.com

ITEM #	TAG	DESCRIPTION	QTY	UNIT PRICE	TOTAL PRICE
12	Room # 139	LSA-0451-1W	1		

Total Capacity 14.86 mbh
 Sensible Capacity 7.49 mbh
 Main Voltage 120/1/60
 Cooling Mode
 FPI 4

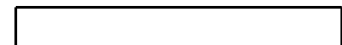
OPTIONS

Motor(s) - ECM 2 Speeds 1
 Circuits - Custom 1
 Defrost type - Air defrost 1
 Drain pan insulation - Standard 1
 Casing finish - Standard 1

ADDITIONAL ITEMS

Controller for EEV/TXV - Refplus Guardian+ factory installed 1

This quote is valid for 30 days. Prices are net. All applicable taxes extra.
 F.O.B plant in St-Hubert, Québec , Canada





RefPlus Inc.
 2777, Grande-Allée
 St-Hubert, (QC), J4T 2R4
 Tél : (450) 641-2665
 Fax : (450) 641-4554

Quote #	Item #
160635-A	12

LSA-0451-1W

Tag : Room # 139

General Informations

Heat Exchange Mode :	Cooling Mode	Row :	2	
Model Status :	Standard Catalog	Fins Per Inch :	4	
Entering Dry Bulb :	72.0 °F	Internal Volume :	0.06	Ft³
Entering Wet Bulb :	65.0 °F	Fluid Volume :	0.48	gal
Entering Liquid Temp :	26.0 °F	Unit Estimated Weight :	26.00	lbs
USGPM :	3.00	Options Added Weight :	0.00	lbs
Max Pressure Drop :	15 PSI	Total Estimated Weight :	26.00	lbs
Altitude :	0 Ft	Fluid Type :	Propylene Glycol (built in)	
Unit Type :	Low silhouette walk-in	Concentration :	30.00	%
Defrost Type :	Air defrost			

Fan(s) Data

Fan Motor Type :	ECM	Fan Arrangement :	1 X 1	
Fan Motor HP :	50.00 W	Fan Motor Total FLA :	1.00	A
Fan Motor RPM :	1500 RPM			
Fan Motor FLA :	1.03 A			

Coil(s) Data

Fins Per Inch :	4 FPI	Fin Material :	Aluminium	
Coil Quantity :	1	Fin Pattern :	E	
Connection(s) Quantity :	1	Connection Size In :	0.5" ø MPT	
Circuit Quantity :	2	Connection Size Out :	0.5" ø MPT	

Heater(s) Data

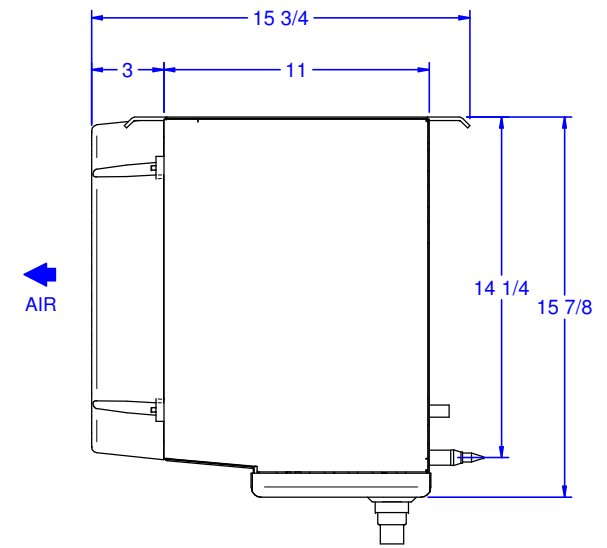
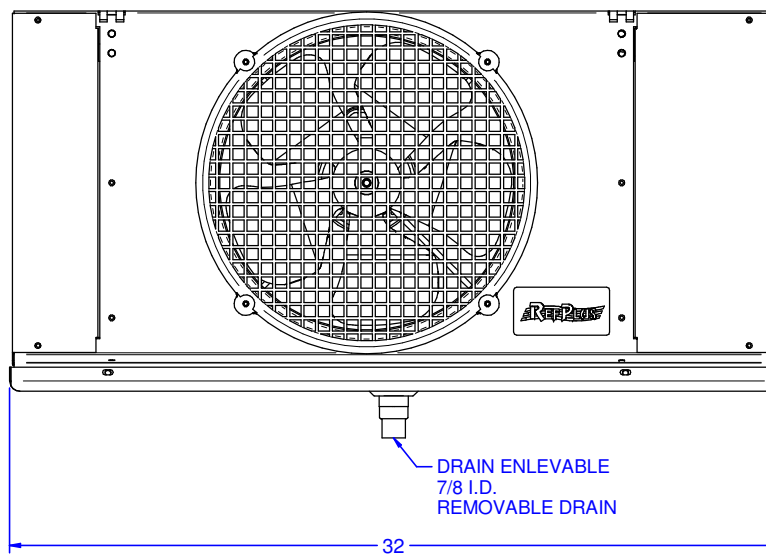
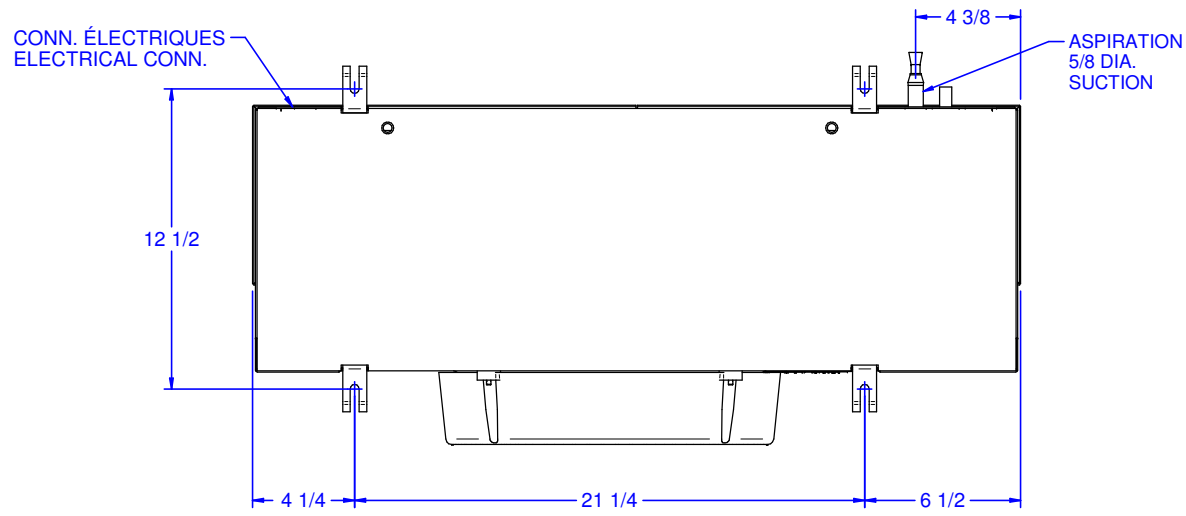
Heater Quantity In Coil :	0	Heater FLA :	0.00	A
Heater Quantity In Drain Pan :	0	Heater Total Power (Kw) :	0.00	Kw

Outputs

AIR SIDE			LIQUID SIDE		
Total Heat :	14.856	mbh	Leaving Liquid Temp :	36.4	°F
Sensible Heat :	7.485	mbh	GPM :	3.0	
Latent Heat :	7.371	mbh	Liquid Velocity :	2.5	ft/sec
Leaving Dry Bulb :	65.5	°F	Liquid Pressure Drop :	3.15 PSI	7.27 Ft(H2O)
Leaving Wet Bulb :	60.7	°F	Coil Face Area :	2.08	Sq. Ft

Electrical Summary Data

Unit Voltage :	120/1/60	V	Fan Motor & Ctrl MCA :	1.25	A
Heater MCA :	0.00	A	Fan Motor & Ctrl MOP :	15.00	A
Heater MOP :	0	A			
Control Voltage :	120/1/60	V			



Rev.	Date	Par/By	Description
A	22/05/19	O.BH	MISE A JOUR CARTOUCHE



2777, Grande-Allée
St-Hubert, Québec
CANADA, J4T 2R4
Tel: (450) 641-2665
Fax: (450) 923-5210
www.refplus.com

Copyright © 2012 Refplus inc. Tous droits réservés. Toute reproduction de ces dessins sans l'autorisation écrite de Refplus inc. est strictement interdite. Refplus inc., ses filiales et représentants ne peuvent en aucun cas être tenus responsables pour tout dommage découlant de toute erreur ou omission dans les dessins, ou tout dommage relié aux dessins ou à l'utilisation de ceux-ci par votre compagnie, ses filiales ou ses représentants.

Copyright © 2012 Refplus inc. All rights reserved. Any reproduction, in whole or in part, of these drawings is strictly prohibited without the written consent of Refplus inc. Refplus inc., its affiliates and representatives expressly disclaim any and all liability based on or relating to these drawings, or errors or omissions in same, or based on the use of these drawings by you, your affiliates or representatives.

Note:

À moins d'avis contraire, les dimensions sont en pouces / Unless otherwise specified, dimensions are in inches.
Tolérances / Tolerances
Frac: ±1/8 Dec: --- Ang: ± 2°
Non à l'échelle / Not to scale

Modèle / Model : LSA 0451, 0551, 0651, LSE IR,TI 0431, 0521, 0621		
Par / By :	M.C.	Date : 27 mai 2008
Numéro Dessin / Drawing Number LS100-01		Rev. A



RefPlus Inc.
 2777, Grande-Allée
 St-Hubert, (QC), J4T 2R4
 Tél : (450) 641-2665
 Fax : (450) 641-4554

Quote #	Item #
160635-A	13

To :

FES Ohio
 Attn : Joe Rubino
 1725 Washington Road- Suite 302
 Pittsburgh, PA USA
 15241

Informations :

Project Name : Warabeya Ohio Commissary - All Bidding Contractors
Created : 04/19/2024
Created By : Joe Rubino
Last Change : 04/19/2024
Last Change By : Joe Rubino
Tel. : 412 595-8571 Ext. :
Cell : 412-580-5825
Fax :
E-mail :

jrubino@fesohio.com

ITEM #	TAG	DESCRIPTION	QTY	UNIT PRICE	TOTAL PRICE
13	Room # 141, 152, 167	EHA-12400-9W	8		

Total Capacity 62.37 mbh
 Sensible Capacity 56.41 mbh
 Main Voltage 480/3/60
 Cooling Mode
 FPI 5

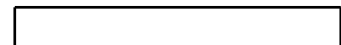
OPTIONS

Circuits - Custom 8
 Defrost type - Air defrost 8
 Air Throw - Standard 8
 Casing finish - Standard 8

ADDITIONAL ITEMS

Controller for EEV/TXV - Refplus Guardian+ factory installed 8

This quote is valid for 30 days. Prices are net. All applicable taxes extra.
 F.O.B plant in St-Hubert, Québec , Canada





RefPlus Inc.
 2777, Grande-Allée
 St-Hubert, (QC), J4T 2R4
 Tél : (450) 641-2665
 Fax : (450) 641-4554

Quote #	Item #
160635-A	13

EHA-12400-9W

Tag : Room # 141, 152, 167

General Informations

Heat Exchange Mode :	Cooling Mode	Row :	6
Model Status :	Standard Catalog	Fins Per Inch :	5
Entering Dry Bulb :	36.0 °F	Internal Volume :	2.22 Ft ³
Entering Wet Bulb :	34.0 °F	Fluid Volume :	16.65 gal
Entering Liquid Temp :	26.0 °F	Unit Estimated Weight :	940.00 lbs
USGPM :	22.00	Options Added Weight :	0.00 lbs
Max Pressure Drop :	20 PSI	Total Estimated Weight :	940.00 lbs
Altitude :	0 Ft	Fluid Type :	Propylene Glycol (built in)
Unit Type :	Large industrial walk-in	Concentration :	30.00 %
Defrost Type :	Air defrost		

Fan(s) Data

Fan Motor Type :	Single Speed	Fan Arrangement :	1 X 2
Fan Motor HP :	1.00 HP	Fan Motor Total FLA :	5.20 A
Fan Motor RPM :	850 RPM		
Fan Motor FLA :	2.60 A		

Coil(s) Data

Fins Per Inch :	5 FPI	Fin Material :	Aluminium
Coil Quantity :	1	Fin Pattern :	E
Connection(s) Quantity :	1	Connection Size In :	1.25" ø MPT
Circuit Quantity :	12	Connection Size Out :	1.25" ø MPT

Heater(s) Data

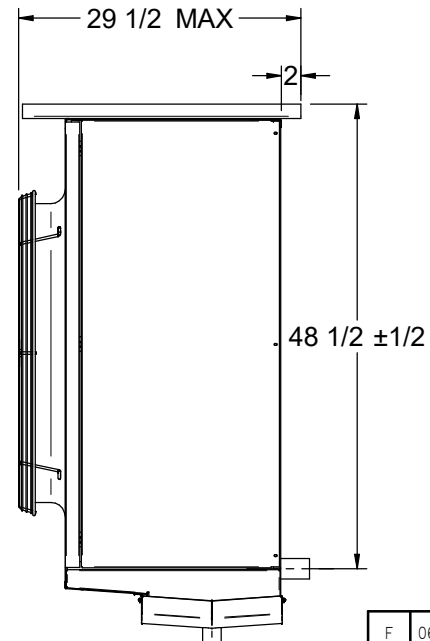
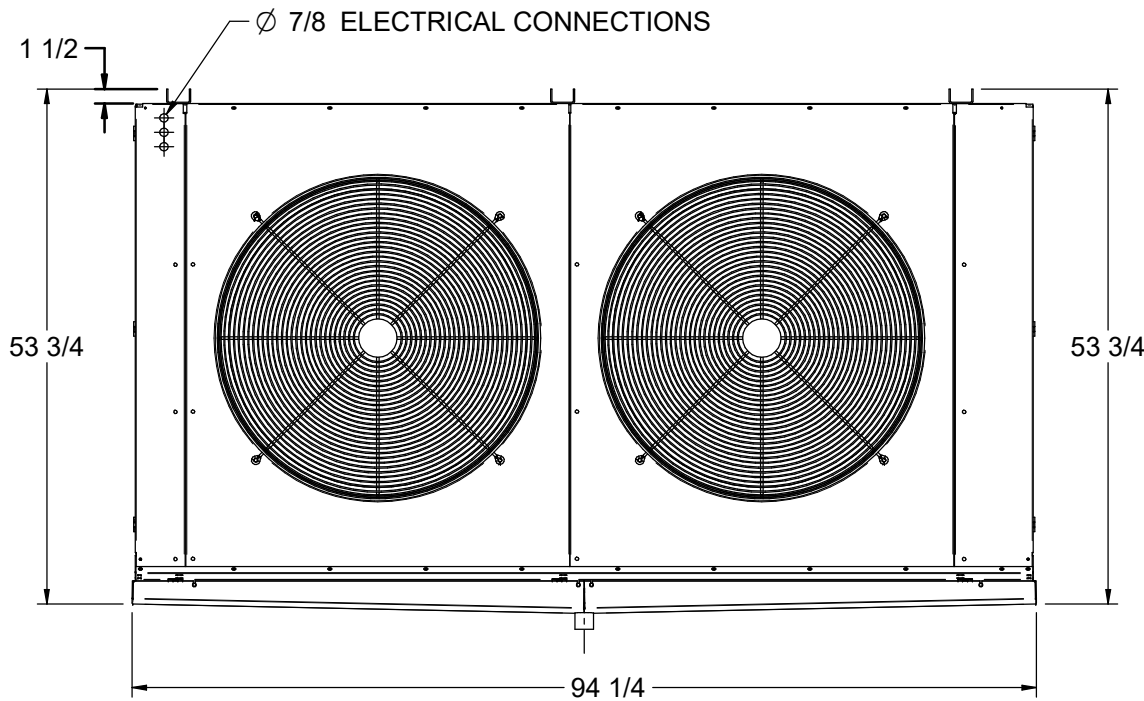
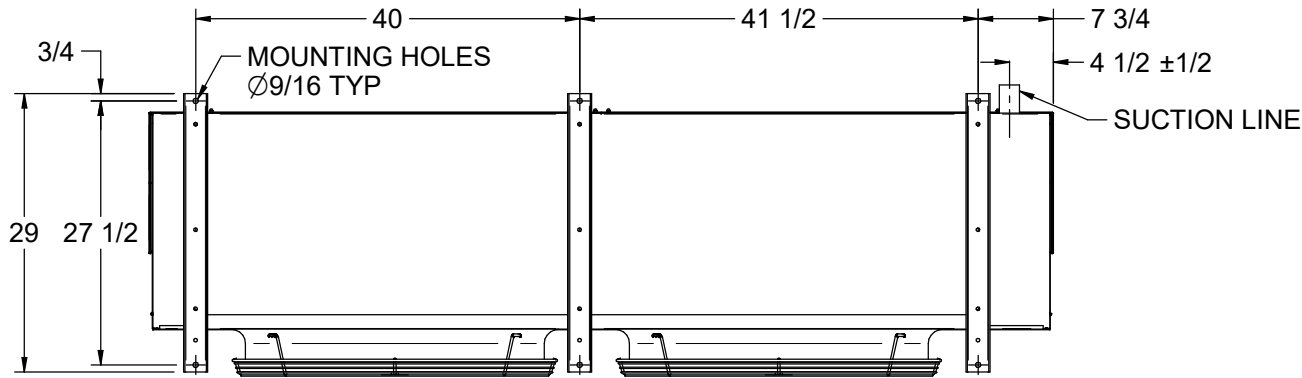
Heater Quantity In Coil :	0	Heater FLA :	0.00 A
Heater Quantity In Drain Pan :	0	Heater Total Power (Kw) :	0.00 Kw

Outputs

AIR SIDE		LIQUID SIDE	
Total Heat :	62.370 mbh	Leaving Liquid Temp :	31.9 °F
Sensible Heat :	56.406 mbh	GPM :	22.0
Latent Heat :	5.964 mbh	Liquid Velocity :	3.1 ft/sec
Leaving Dry Bulb :	32.5 °F	Liquid Pressure Drop :	17.67 PSI 40.76 Ft(H ₂ O)
Leaving Wet Bulb :	31.7 °F	Coil Face Area :	27.78 Sq. Ft

Electrical Summary Data

Unit Voltage :	480/3/60	V	Fan Motor & Ctrl MCA :	5.85	A
Heater MCA :	0.00	A	Fan Motor & Ctrl MOP :	15.00	A
Heater MOP :	0	A			
Control Voltage :	240/1/60	V			



DRAIN FITTING 1 1/4 FPT S/S

F	06-06-19	OBH	TRANSITION VERS 3D & CHANGEMENT DRAIN PAN DOUBLE PENTE
E	28-04-16	M.C.	ENLEVER MODÈLE EHIGH, EIGHI
D	29-03-04	M.C.	DESSOUS EN PENTE, ÉLARGIR LE BAC
C	01-10-02	M.C.	BAC D'ÉGOUTTEMENT EN PENTE
B	28-01-99	FL	DRAIN FITTING 1.25 FPT - WAS 1.5 FPT

Rev.	Date	Par/By	Description
------	------	--------	-------------



2777, Grande-Allée
St-Hubert, Québec
CANADA, J4T 2R4
Tel: (450) 641-2665
Fax: (450) 923-5210
www.refplus.com

Copyright © 2012 Refplus inc. Tous droits réservés. Toute reproduction de ces dessins sans l'autorisation écrite de Refplus inc. est strictement interdite. Refplus inc., ses filiales et représentants ne peuvent en aucun cas être tenus responsables pour tout dommage découlant de toute erreur ou omission dans les dessins, ou tout dommage relié aux dessins ou à l'utilisation de ceux-ci par votre compagnie, ses filiales ou ses représentants.

Copyright © 2012 Refplus inc. All rights reserved. Any reproduction, in whole or in part, of these drawings is strictly prohibited without the written consent of Refplus inc. Refplus inc., its affiliates and representatives expressly disclaim any and all liability based on or relating to these drawings, or errors or omissions in same, or based on the use of these drawings by you, your affiliates or representatives.

Note:

À moins d'avis contraire, les dimensions sont en pouces / Unless otherwise specified, dimensions are in inches.

Tolérances / Tolerances

Frac: ±1/8 Dec: --- Ang: ± 2°

Non à l'échelle / Not to scale

Modèle / Model : IND. WALK-IN COOLER
EHIA/EI - EIE 2 FANS

Par / By : FL Date : 09/07/1998

Numéro Dessin / Drawing Number
EH10002

Rev.
F



RefPlus Inc.
 2777, Grande-Allée
 St-Hubert, (QC), J4T 2R4
 Tél : (450) 641-2665
 Fax : (450) 641-4554

Quote #	Item #
160635-A	14

To :

FES Ohio
 Attn : Joe Rubino
 1725 Washington Road- Suite 302
 Pittsburgh, PA USA
 15241

Informations :

Project Name : Warabeya Ohio Commissary - All Bidding Contractors
Created : 04/19/2024
Created By : Joe Rubino
Last Change : 04/19/2024
Last Change By : Joe Rubino
Tel. : 412 595-8571 Ext. :
Cell : 412-580-5825
Fax :
E-mail :

jrubino@fesohio.com

ITEM #	TAG	DESCRIPTION	QTY	UNIT PRICE	TOTAL PRICE
14	Room # 142	EHA-16200-9W	2		

Total Capacity 59.70 mbh
 Sensible Capacity 54.94 mbh
 Main Voltage 480/3/60
 Cooling Mode
 FPI 4

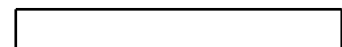
OPTIONS

Circuits - Custom 2
 Defrost type - Air defrost 2
 Air Throw - Standard 2
 Casing finish - Standard 2

ADDITIONAL ITEMS

Controller for EEV/TXV - Refplus Guardian+ factory installed 2

This quote is valid for 30 days. Prices are net. All applicable taxes extra.
 F.O.B plant in St-Hubert, Québec , Canada





RefPlus Inc.
 2777, Grande-Allée
 St-Hubert, (QC), J4T 2R4
 Tél : (450) 641-2665
 Fax : (450) 641-4554

Quote #	Item #
160635-A	14

EHA-16200-9W

Tag : Room # 142

General Informations

Heat Exchange Mode :	Cooling Mode	Row :	4
Model Status :	Standard Catalog	Fins Per Inch :	4
Entering Dry Bulb :	36.0 °F	Internal Volume :	2.18 Ft³
Entering Wet Bulb :	34.0 °F	Fluid Volume :	16.32 gal
Entering Liquid Temp :	26.0 °F	Unit Estimated Weight :	1,240.00 lbs
USGPM :	23.00	Options Added Weight :	0.00 lbs
Max Pressure Drop :	20 PSI	Total Estimated Weight :	1,240.00 lbs
Altitude :	0 Ft	Fluid Type :	Propylene Glycol (built in)
Unit Type :	Large industrial walk-in	Concentration :	30.00 %
Defrost Type :	Air defrost		

Fan(s) Data

Fan Motor Type :	Single Speed	Fan Arrangement :	1 X 3
Fan Motor HP :	1.00 HP	Fan Motor Total FLA :	7.80 A
Fan Motor RPM :	850 RPM		
Fan Motor FLA :	2.60 A		

Coil(s) Data

Fins Per Inch :	4 FPI	Fin Material :	Aluminium
Coil Quantity :	1	Fin Pattern :	E
Connection(s) Quantity :	1	Connection Size In :	1.25" ø MPT
Circuit Quantity :	16	Connection Size Out :	1.25" ø MPT

Heater(s) Data

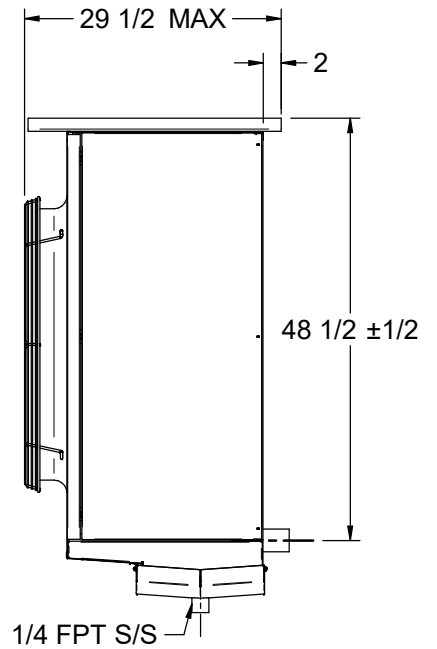
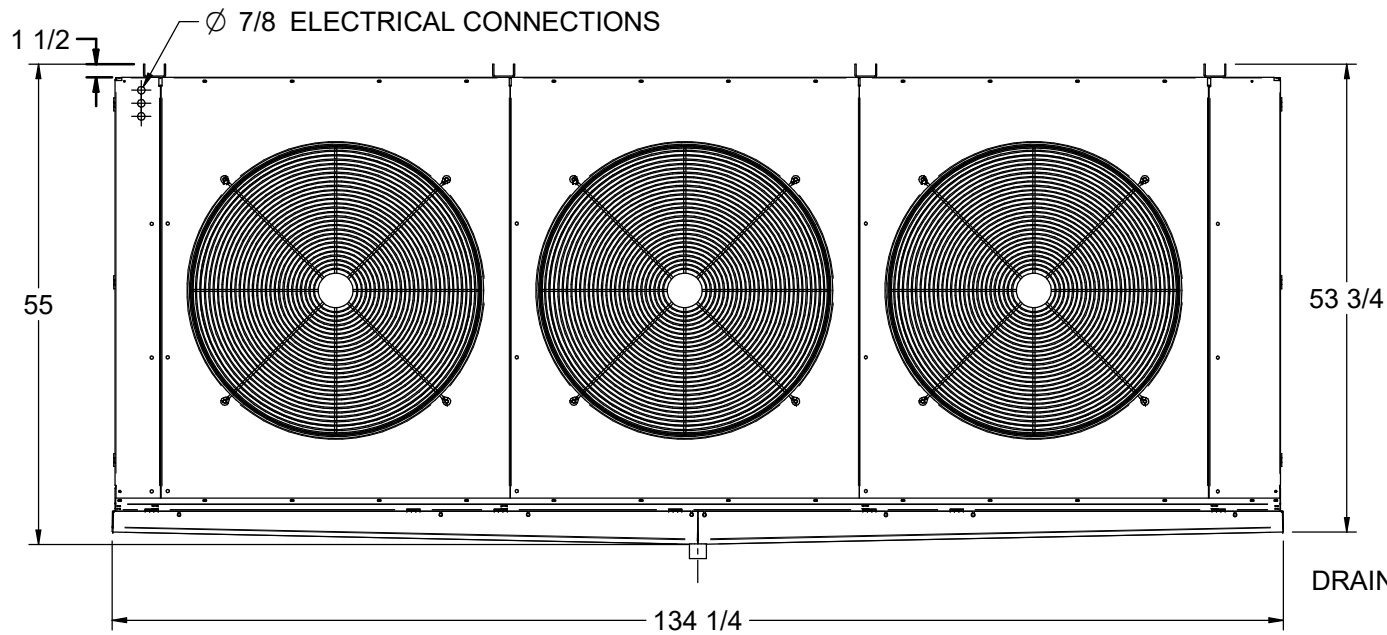
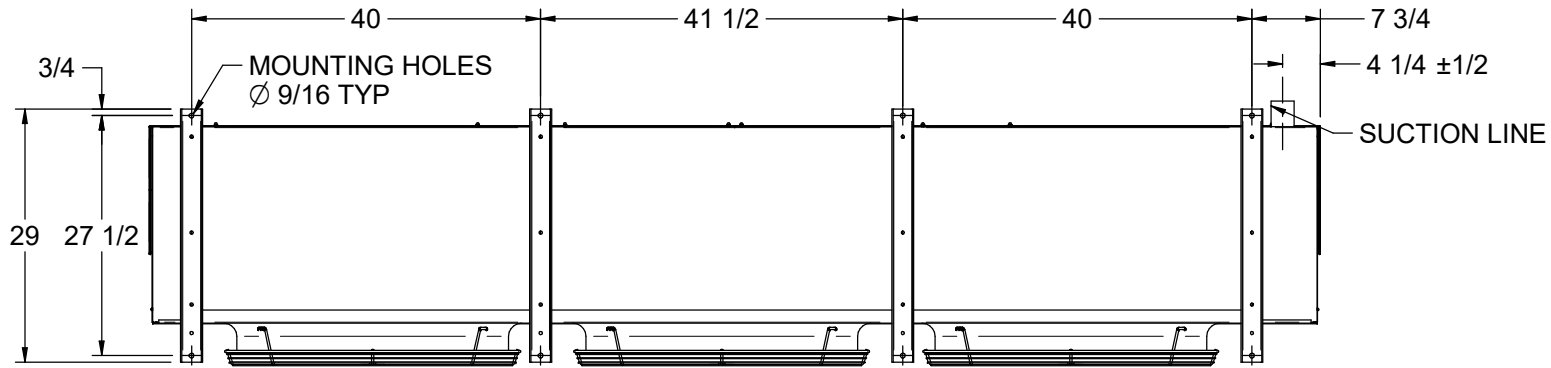
Heater Quantity In Coil :	0	Heater FLA :	0.00 A
Heater Quantity In Drain Pan :	0	Heater Total Power (Kw) :	0.00 Kw

Outputs

AIR SIDE		LIQUID SIDE	
Total Heat :	59.704 mbh	Leaving Liquid Temp :	31.4 °F
Sensible Heat :	54.939 mbh	GPM :	23.0
Latent Heat :	4.765 mbh	Liquid Velocity :	2.4 ft/sec
Leaving Dry Bulb :	34.0 °F	Liquid Pressure Drop :	9.23 PSI 21.29 Ft(H2O)
Leaving Wet Bulb :	32.7 °F	Coil Face Area :	41.67 Sq. Ft

Electrical Summary Data

Unit Voltage :	480/3/60	V	Fan Motor & Ctrl MCA :	8.45	A
Heater MCA :	0.00	A	Fan Motor & Ctrl MOP :	15.00	A
Heater MOP :	0	A			
Control Voltage :	240/1/60	V			



D	06-06-19	OBH	TRANSITION VERS 3D & CHANGEMENT DRAIN PAN DOUBLE PENTE
C	28-04-16	M.C.	ENLEVER MODÈLE EHIGH, EIGHI
B	29-03-04	M.C.	DESSOUS EN PENTE, ÉLARGIR LE BAC
A	01-10-02	M.C.	BAC D'ÉGOUTTEMENT EN PENTE
Rev.	Date	Par/By	Description



2777, Grande-Allée
St-Hubert, Québec
CANADA, J4T 2R4
Tel: (450) 641-2665
Fax: (450) 923-5210
www.refplus.com

Copyright © 2012 Refplus inc. Tous droits réservés. Toute reproduction de ces dessins sans l'autorisation écrite de Refplus inc. est strictement interdite. Refplus inc., ses filiales et représentants ne peuvent en aucun cas être tenus responsables pour tout dommage découlant de toute erreur ou omission dans les dessins, ou tout dommage relié aux dessins ou à l'utilisation de ceux-ci par votre compagnie, ses filiales ou ses représentants.

Copyright © 2012 Refplus inc. All rights reserved. Any reproduction, in whole or in part, of these drawings is strictly prohibited without the written consent of Refplus inc. Refplus inc., its affiliates and representatives expressly disclaim any and all liability based on or relating to these drawings, or errors or omissions in same, or based on the use of these drawings by you, your affiliates or representatives.

Note:

À moins d'avis contraire, les dimensions sont en pouces / Unless otherwise specified, dimensions are in inches.

Tolérances / Tolerances

Frac: ±1/8 Dec: --- Ang: ± 2°

Non à l'échelle / Not to scale

Modèle / Model : IND. WALK-IN COOLER
EHIAEJ - EIE 3 FANS

Par / By : FL Date : 08/07/1998

Numéro Dessin / Drawing Number
EH10003

Rev.
D



RefPlus Inc.
 2777, Grande-Allée
 St-Hubert, (QC), J4T 2R4
 Tél : (450) 641-2665
 Fax : (450) 641-4554

Quote #	Item #
160635-A	15

To :

FES Ohio
 Attn : Joe Rubino
 1725 Washington Road- Suite 302
 Pittsburgh, PA USA
 15241

Informations :

Project Name : Warabeya Ohio Commissary - All Bidding Contractors
Created : 04/19/2024
Created By : Joe Rubino
Last Change : 04/19/2024
Last Change By : Joe Rubino
Tel. : 412 595-8571 Ext. :
Cell : 412-580-5825
Fax :
E-mail :

jrubino@fesohio.com

ITEM #	TAG	DESCRIPTION	QTY	UNIT PRICE	TOTAL PRICE
15	Room # 149A, 149B, 156, 164	EJA-03700L-9W	7		

Total Capacity 36.68 mbh
 Sensible Capacity 23.06 mbh
 Main Voltage 480/3/60
 Cooling Mode
 FPI 6 (Standard)

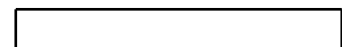
OPTIONS

Circuits - Custom 7
 Defrost type - Air defrost 7
 Motors speed - Standard low speed 7
 Air Throw - Standard 7
 Casing finish - Standard 7

ADDITIONAL ITEMS

Controller for EEV/TXV - Refplus Guardian+ factory installed 7

This quote is valid for 30 days. Prices are net. All applicable taxes extra.
 F.O.B plant in St-Hubert, Québec , Canada





RefPlus Inc.
 2777, Grande-Allée
 St-Hubert, (QC), J4T 2R4
 Tél : (450) 641-2665
 Fax : (450) 641-4554

Quote #	Item #
160635-A	15

EJA-03700L-9W

Tag : Room # 149A, 149B, 156, 164

General Informations

Heat Exchange Mode :	Cooling Mode	Row :	6	
Model Status :	Standard Catalog	Fins Per Inch :	6	
Entering Dry Bulb :	40.0 °F	Internal Volume :	0.54	Ft³
Entering Wet Bulb :	39.0 °F	Fluid Volume :	4.05	gal
Entering Liquid Temp :	26.0 °F	Unit Estimated Weight :	405.00	lbs
Leaving Liquid Temp :	32.0 °F	Options Added Weight :	0.00	lbs
Max Pressure Drop :	20 PSI	Total Estimated Weight :	405.00	lbs
Altitude :	0 Ft	Fluid Type :	Propylene Glycol (built in)	
Unit Type :	Medium industrial walk-in with Ziehl	Concentration :	30.00	%
	Abegg			
Defrost Type :	Air defrost			

Fan(s) Data

Fan Motor Type :	Two Speeds	Fan Arrangement :	1 X 1	
Fan Motor HP :	0.37 HP	Fan Motor Total FLA :	1.00	A
Fan Motor RPM :	1090 RPM			
Fan Motor FLA :	1.00 A			
Motor Speed For Selection :	Low Speed			

Coil(s) Data

Fins Per Inch :	6 (Standard)	FPI	Fin Material :	Aluminium
Coil Quantity :	1		Fin Pattern :	F
Connection(s) Quantity :	1		Connection Size In :	1" ø MPT
Circuit Quantity :	10		Connection Size Out :	1" ø MPT

Heater(s) Data

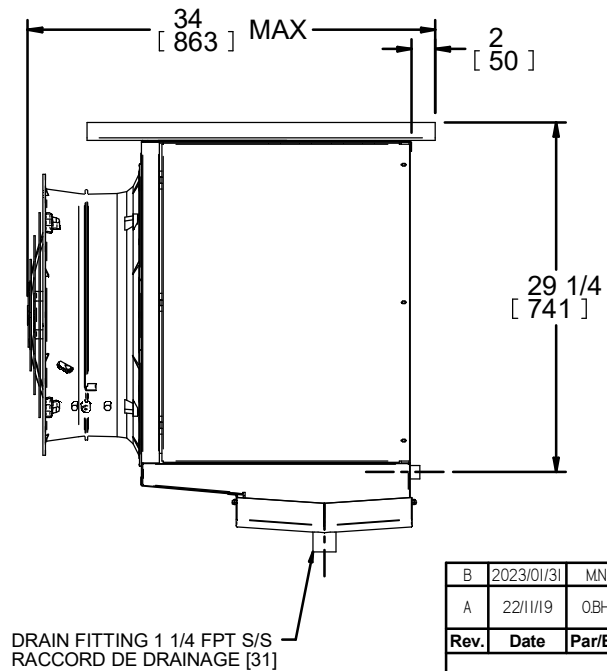
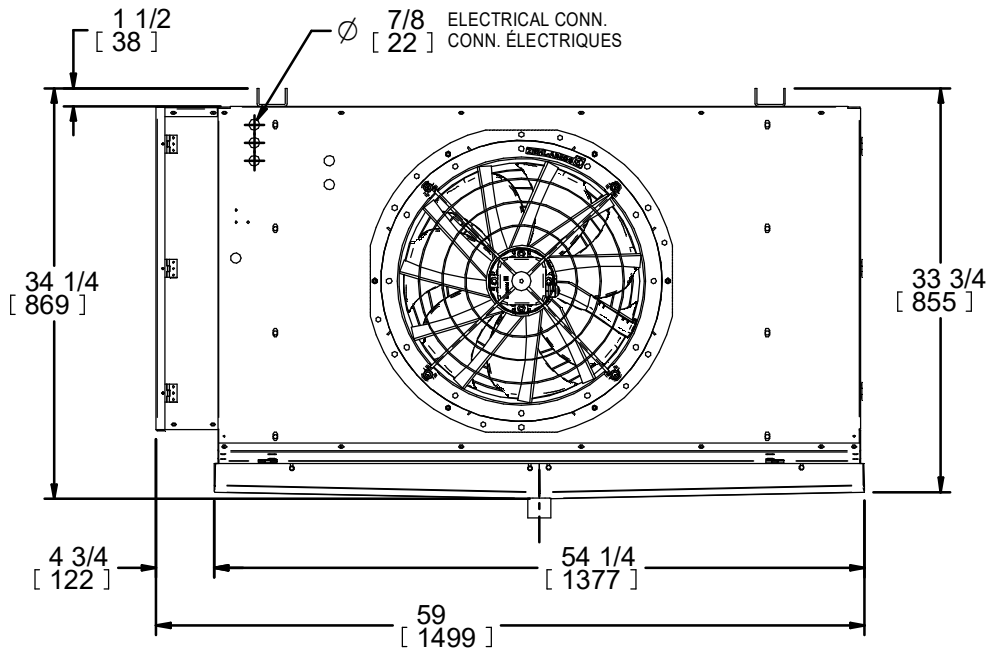
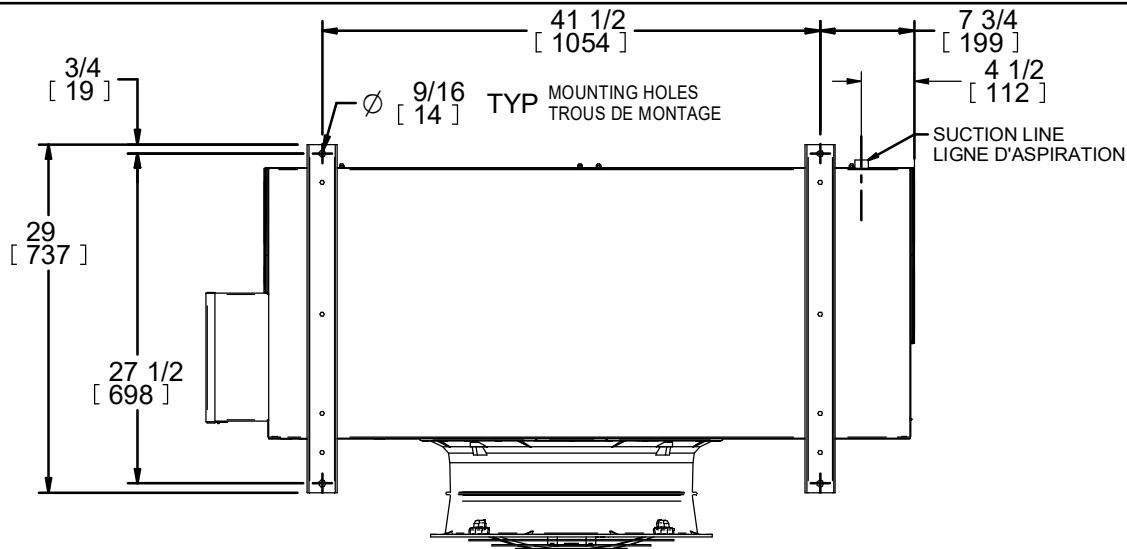
Heater Quantity In Coil :	0	Heater FLA :	0.00	A
Heater Quantity In Drain Pan :	0	Heater Total Power (Kw) :	0.00	Kw

Outputs

AIR SIDE			LIQUID SIDE		
Total Heat :	36.678	mbh	Leaving Liquid Temp :	31.7	°F
Sensible Heat :	23.059	mbh	GPM :	13.4	
Latent Heat :	13.619	mbh	Liquid Velocity :	2.3	ft/sec
Leaving Dry Bulb :	34.6	°F	Liquid Pressure Drop :	5.65 PSI	13.03 Ft(H2O)
Leaving Wet Bulb :	34.3	°F	Coil Face Area :	8.33	Sq. Ft

Electrical Summary Data

Unit Voltage :	480/3/60	V	Fan Motor & Ctrl MCA :	1.25	A
Heater MCA :	0.00	A	Fan Motor & Ctrl MOP :	15.00	A
Heater MOP :	0	A			
Control Voltage :	240/1/60	V			



B	2023/01/31	MN	MISE À JOUR
A	22/11/19	OBH	CHANGEMENT DRAIN PAN DOUBLE PENTE & TRANSITION VERS SOLIDEDGE
Rev.	Date	Par/By	Description



2777, Grande-Allée
 St-Hubert, Québec
 CANADA, J4T 2R4
 Tel: (450) 641-2665
 Fax: (450) 923-5210
 www.refplus.com

Copyright © 2012 Refplus inc. Tous droits réservés. Toute reproduction de ces dessins sans l'autorisation écrite de Refplus inc. est strictement interdite. Refplus inc., ses filiales et représentants ne peuvent en aucun cas être tenus responsables pour tout dommage découlant de toute erreur ou omission dans les dessins, ou tout dommage relié aux dessins ou à l'utilisation de ceux-ci par votre compagnie, ses filiales ou ses représentants.

Copyright © 2012 Refplus inc. All rights reserved. Any reproduction, in whole or in part, of these drawings is strictly prohibited without the written consent of Refplus inc. Refplus inc., its affiliates and representatives expressly disclaim any and all liability based on or relating to these drawings, or errors or omissions in same, or based on the use of these drawings by you, your affiliates or representatives.

Note:

À moins d'avis contraire, les dimensions sont en pouces / Unless otherwise specified, dimensions are in inches.
 Tolérances / Tolerances
 Frac: ±1/8 Dec: --- Ang: ± 2°
 Non à l'échelle / Not to scale

Modèle / Model : IND. WALK-IN COOLER	
EJ IA, E, G, HI - ZIEHL ABEGG I FAN	
Par / By : MC	Date : 13/04/2016
Numéro Dessin / Drawing Number	Rev. B



RefPlus Inc.
 2777, Grande-Allée
 St-Hubert, (QC), J4T 2R4
 Tél : (450) 641-2665
 Fax : (450) 641-4554

Quote #	Item #
160635-A	16

To :

FES Ohio
 Attn : Joe Rubino
 1725 Washington Road- Suite 302
 Pittsburgh, PA USA
 15241

Informations :

Project Name : Warabeya Ohio Commissary - All Bidding Contractors
Created : 04/19/2024
Created By : Joe Rubino
Last Change : 04/19/2024
Last Change By : Joe Rubino
Tel. : 412 595-8571 Ext. :
Cell : 412-580-5825
Fax :
E-mail :

jrubino@fesohio.com

ITEM #	TAG	DESCRIPTION	QTY	UNIT PRICE	TOTAL PRICE
16	Room # 151, 152B	LQA-32100L-9W	5		

Total Capacity 128.82 mbh
 Sensible Capacity 124.20 mbh
 Main Voltage 480/3/60
 Cooling Mode
 FPI 4

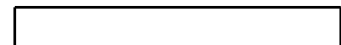
OPTIONS

Circuits - Custom 5
 Casing finish - Standard 5

ADDITIONAL ITEMS

Controller for EEV/TXV - Refplus Guardian+ factory installed 5

This quote is valid for 30 days. Prices are net. All applicable taxes extra.
 F.O.B plant in St-Hubert, Québec , Canada





RefPlus Inc.
 2777, Grande-Allée
 St-Hubert, (QC), J4T 2R4
 Tél : (450) 641-2665
 Fax : (450) 641-4554

Quote #	Item #
160635-A	16

LQA-32100L-9W

Tag : Room # 151, 152B

General Informations

Heat Exchange Mode :	Cooling Mode	Row :	6	
Model Status :	Standard Catalog	Fins Per Inch :	4	
Entering Dry Bulb :	36.0 °F	Internal Volume :	5.56	Ft³
Entering Wet Bulb :	34.0 °F	Fluid Volume :	41.63	gal
Entering Liquid Temp :	26.0 °F	Unit Estimated Weight :	1,897.00	lbs
USGPM :	54.00	Options Added Weight :	0.00	lbs
Max Pressure Drop :	20 PSI	Total Estimated Weight :	1,897.00	lbs
Altitude :	0 Ft	Fluid Type :	Propylene Glycol (built in)	
Unit Type :	Low velocity large industrial walk-in with Ziehl Abegg Air defrost	Concentration :	30.00	%
Defrost Type :				

Fan(s) Data

Fan Motor Type :	Two Speeds	Fan Arrangement :	1 X 4	
Fan Motor HP :	0.50 HP	Fan Motor Total FLA :	4.40	A
Fan Motor RPM :	510 RPM			
Fan Motor FLA :	1.10 A			
Motor Speed For Selection :	Low Speed			

Coil(s) Data

Fins Per Inch :	4 FPI	Fin Material :	Aluminium	
Coil Quantity :	2	Fin Pattern :	F	
Connection(s) Quantity :	2	Connection Size In :	2" ø MPT	
Circuit Quantity :	42	Connection Size Out :	2" ø MPT	

Heater(s) Data

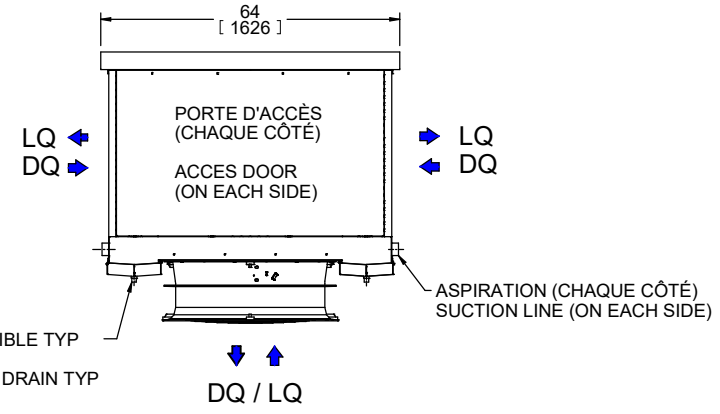
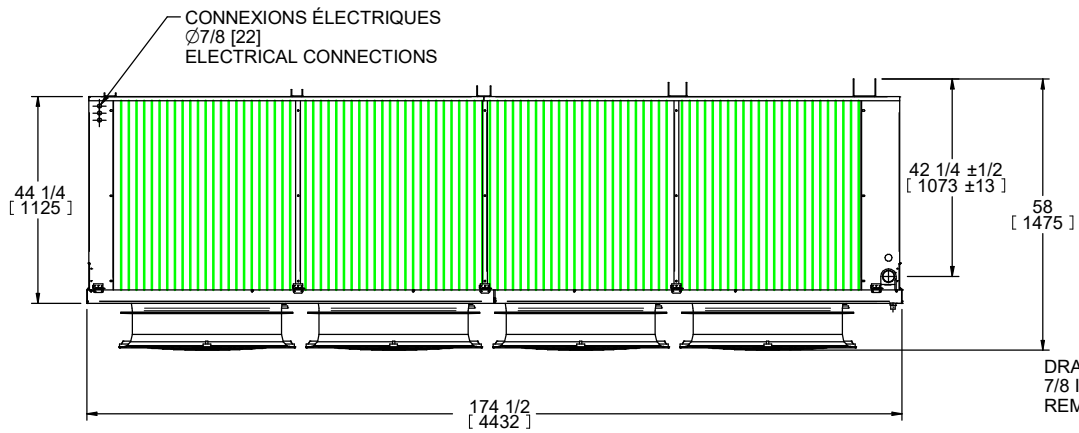
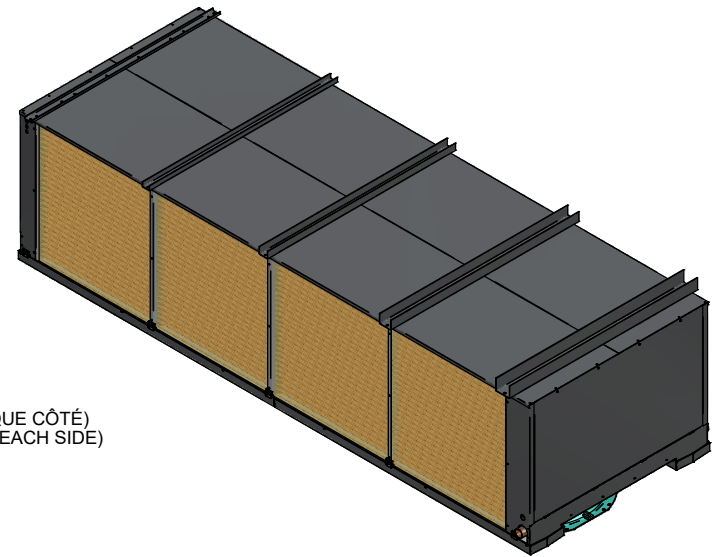
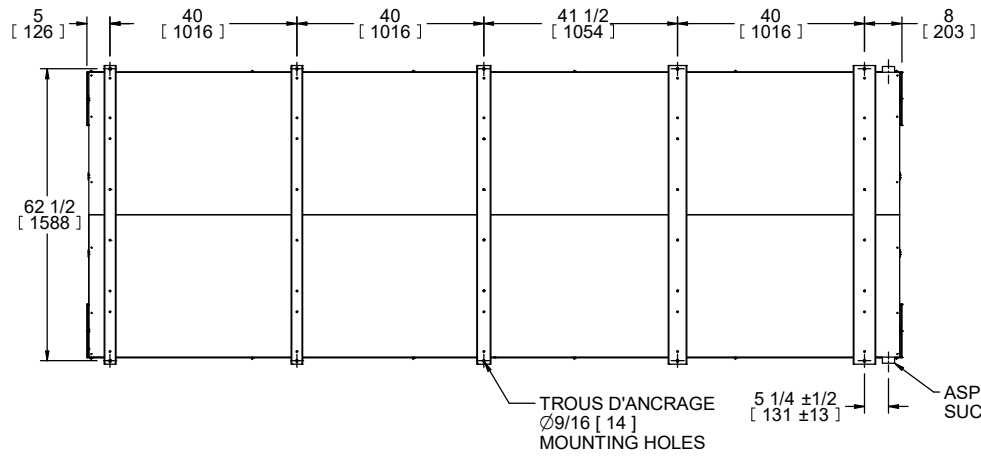
Heater Quantity In Coil :	0	Heater FLA :	0.00	A
Heater Quantity In Drain Pan :	0	Heater Total Power (Kw) :	0.00	Kw

Outputs

AIR SIDE			LIQUID SIDE		
Total Heat :	128.822	mbh	Leaving Liquid Temp :	31.0	°F
Sensible Heat :	124.199	mbh	GPM :	54.0	
Latent Heat :	4.623	mbh	Liquid Velocity :	2.2	ft/sec
Leaving Dry Bulb :	32.3	°F	Liquid Pressure Drop :	7.26 PSI	16.75 Ft(H2O)
Leaving Wet Bulb :	31.7	°F	Coil Face Area :	93.33	Sq. Ft

Electrical Summary Data

Unit Voltage :	480/3/60	V	Fan Motor & Ctrl MCA :	4.68	A
Heater MCA :	0.00	A	Fan Motor & Ctrl MOP :	15.00	A
Heater MOP :	0	A			
Control Voltage :	240/1/60	V			



Rev.	Date	Par/By	Description
			2777, Grande-Allée St-Hubert, Québec CANADA, J4T 2R4 Tel: (450) 641-2665 Fax: (450) 923-5210 www.refplus.com
			Modèle / Model : IND. WALK-IN COOLER & FREEZER LQ, DQ IA, E, G, HI
Par / By : obenhafia		Date : 05/05/2020	
Numéro Dessin / Drawing Number LQ001-04			Rev.

Copyright © 2012 Refplus Inc. Tous droits réservés. Toute reproduction de ces dessins sans l'autorisation écrite de Refplus Inc. est strictement interdite. Refplus Inc., ses filiales et représentants ne peuvent en aucun cas être tenus responsables pour tout dommage découlant de toute erreur ou omission dans les dessins, ou tout dommage relié aux dessins ou à l'utilisation de ceux-ci par votre compagnie, ses filiales ou ses représentants.

Copyright © 2012 Refplus inc. All rights reserved. Any reproduction, in whole or in part, of these drawings is strictly prohibited without the written consent of Refplus Inc. Refplus Inc., its affiliates and representatives expressly disclaim any and all liability based on or relating to these drawings, or errors or omissions in same, or based on the use of these drawings by you, your affiliates or representatives.

Note:

À moins d'avis contraire, les dimensions sont en pouces / Unless otherwise specified, dimensions are in inches.
 Tolérances / Tolerances
 Frac: ±1/8 Dec: --- Ang: ± 2°
 Non à l'échelle / Not to scale

Modèle / Model : IND. WALK-IN COOLER & FREEZER
 LQ, DQ IA, E, G, HI
 Par / By : obenhafia Date : 05/05/2020
 Numéro Dessin / Drawing Number LQ001-04 Rev.



RefPlus Inc.
 2777, Grande-Allée
 St-Hubert, (QC), J4T 2R4
 Tél : (450) 641-2665
 Fax : (450) 641-4554

Quote #	Item #
160635-A	17

To :

FES Ohio
 Attn : Joe Rubino
 1725 Washington Road- Suite 302
 Pittsburgh, PA USA
 15241

Informations :

Project Name : Warabeya Ohio Commissary - All Bidding Contractors
Created : 04/19/2024
Created By : Joe Rubino
Last Change : 04/19/2024
Last Change By : Joe Rubino
Tel. : 412 595-8571 Ext. :
Cell : 412-580-5825
Fax :
E-mail :

jrubino@fesohio.com

ITEM #	TAG	DESCRIPTION	QTY	UNIT PRICE	TOTAL PRICE
17	Room # 152A	LMA-13200-9W	2		

Total Capacity 46.29 mbh
 Sensible Capacity 42.94 mbh
 Main Voltage 480/3/60
 Cooling Mode
 FPI 4

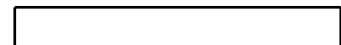
OPTIONS

Circuits - Custom 2
 Casing finish - Standard 2

ADDITIONAL ITEMS

Controller for EEV/TXV - Refplus Guardian+ factory installed 2

This quote is valid for 30 days. Prices are net. All applicable taxes extra.
 F.O.B plant in St-Hubert, Québec , Canada





RefPlus Inc.
 2777, Grande-Allée
 St-Hubert, (QC), J4T 2R4
 Tél : (450) 641-2665
 Fax : (450) 641-4554

Quote #	Item #
160635-A	17

LMA-13200-9W

Tag : Room # 152A

General Informations

Heat Exchange Mode :	Cooling Mode	Row :	4
Model Status :	Standard Catalog	Fins Per Inch :	4
Entering Dry Bulb :	36.0 °F	Internal Volume :	1.96 Ft ³
Entering Wet Bulb :	34.0 °F	Fluid Volume :	14.69 gal
Entering Liquid Temp :	26.0 °F	Unit Estimated Weight :	872.00 lbs
USGPM :	16.00	Options Added Weight :	0.00 lbs
Max Pressure Drop :	20 PSI	Total Estimated Weight :	872.00 lbs
Altitude :	0 Ft	Fluid Type :	Propylene Glycol (built in)
Unit Type :	Low velocity medium industrial walk-in	Concentration :	30.00 %
Defrost Type :	Air defrost		

Fan(s) Data

Fan Motor Type :	Single Speed	Fan Arrangement :	1 X 4
Fan Motor HP :	0.50 HP	Fan Motor Total FLA :	3.80 A
Fan Motor RPM :	1140 RPM		
Fan Motor FLA :	0.95 A		

Coil(s) Data

Fins Per Inch :	4 FPI	Fin Material :	Aluminium
Coil Quantity :	2	Fin Pattern :	E
Connection(s) Quantity :	1	Connection Size In :	1" ø MPT
Circuit Quantity :	12	Connection Size Out :	1" ø MPT

Heater(s) Data

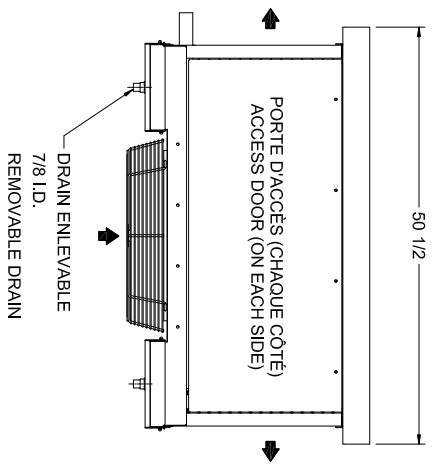
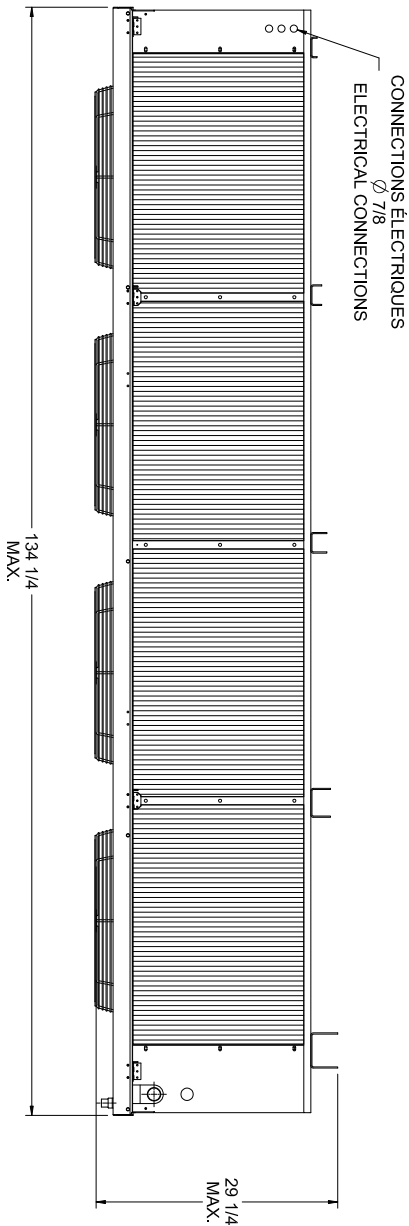
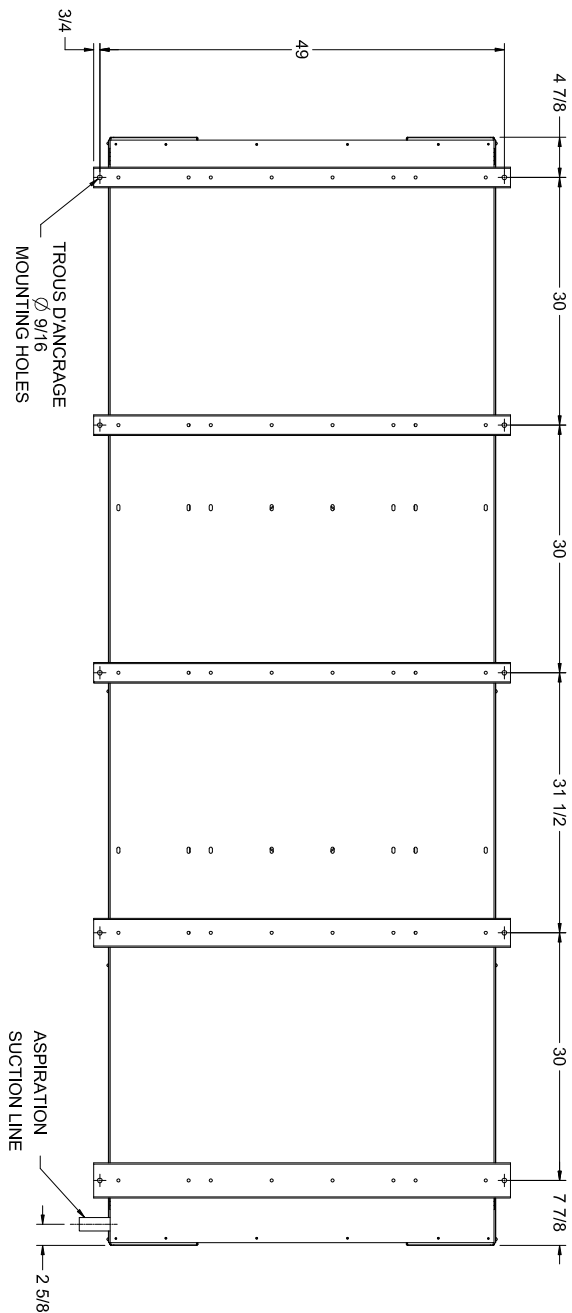
Heater Quantity In Coil :	0	Heater FLA :	0.00 A
Heater Quantity In Drain Pan :	0	Heater Total Power (Kw) :	0.00 Kw

Outputs

AIR SIDE		LIQUID SIDE	
Total Heat :	46.291 mbh	Leaving Liquid Temp :	32.0 °F
Sensible Heat :	42.938 mbh	GPM :	16.0
Latent Heat :	3.353 mbh	Liquid Velocity :	2.3 ft/sec
Leaving Dry Bulb :	33.9 °F	Liquid Pressure Drop :	10.17 PSI 23.46 Ft(H ₂ O)
Leaving Wet Bulb :	32.6 °F	Coil Face Area :	37.50 Sq. Ft

Electrical Summary Data

Unit Voltage :	480/3/60	V	Fan Motor & Ctrl MCA :	4.04	A
Heater MCA :	0.00	A	Fan Motor & Ctrl MOP :	15.00	A
Heater MOP :	0	A			
Control Voltage :	240/1/60	V			



Copyright © 2004 Replus Inc. Tous droits réservés. Toute reproduction de ces dessins sans autorisation écrite de Replus Inc. est strictement interdite. Replus Inc., ses filiales et représentants ne peuvent en aucun cas être tenus responsables pour tout dommage corporel ou matériel résultant de l'utilisation de ces dessins, ou tout dommage résultant de l'utilisation de ceux-ci par votre compagnie, ses filiales ou ses représentants.

Copyright © 2004 Replus Inc. All rights reserved. Any reproduction, in whole or in part, of these drawings without the written consent of Replus Inc., its affiliates and representatives expressly disclaim any and all liability based on the use of these drawings by you, your affiliates or representatives.

Note:

À moins d'avoir contrôlé, les dimensions sont en pouces / Unless otherwise specified, dimensions are in inches.
Tolérances / Tolerances
Frac: ±1/8 Dec: — Ang: ± 2°
Non à l'échelle / Not to scale

REPLUS
1385, De Coulomb
Boucherville, Québec
CANADA, J4B 7L8
Tel: (450) 641-2665
Fax: (450) 641-4554
www.replus.com

Modèle / Model:	LMA (E,G,H) 11200, 13200
Par / By:	M. C.
Numéro Dessin / Drawing Number	LM000-04
Date:	7/22/2006
Rev.	

Rev.	Date	Par/By	Description



RefPlus Inc.
 2777, Grande-Allée
 St-Hubert, (QC), J4T 2R4
 Tél : (450) 641-2665
 Fax : (450) 641-4554

Quote #	Item #
160635-A	18

To :

FES Ohio
 Attn : Joe Rubino
 1725 Washington Road- Suite 302
 Pittsburgh, PA USA
 15241

Informations :

Project Name : Warabeya Ohio Commissary - All Bidding Contractors
Created : 04/19/2024
Created By : Joe Rubino
Last Change : 04/19/2024
Last Change By : Joe Rubino
Tel. : 412 595-8571 Ext. :
Cell : 412-580-5825
Fax :
E-mail :

jrubino@fesohio.com

ITEM #	TAG	DESCRIPTION	QTY	UNIT PRICE	TOTAL PRICE
18	Room # 152C	LMA-13200-9W	2		

Total Capacity 60.71 mbh
 Sensible Capacity 57.38 mbh
 Main Voltage 480/3/60
 Cooling Mode
 FPI 6 (Standard)

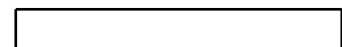
OPTIONS

Circuits - Custom 2
 Casing finish - Standard 2

ADDITIONAL ITEMS

Controller for EEV/TXV - Refplus Guardian+ factory installed 2

This quote is valid for 30 days. Prices are net. All applicable taxes extra.
 F.O.B plant in St-Hubert, Québec , Canada





RefPlus Inc.
 2777, Grande-Allée
 St-Hubert, (QC), J4T 2R4
 Tél : (450) 641-2665
 Fax : (450) 641-4554

Quote #	Item #
160635-A	18

LMA-13200-9W

Tag : Room # 152C

General Informations

Heat Exchange Mode :	Cooling Mode	Row :	4
Model Status :	Standard Catalog	Fins Per Inch :	6
Entering Dry Bulb :	36.0 °F	Internal Volume :	1.96 Ft ³
Entering Wet Bulb :	34.0 °F	Fluid Volume :	14.69 gal
Entering Liquid Temp :	26.0 °F	Unit Estimated Weight :	872.00 lbs
USGPM :	22.00	Options Added Weight :	0.00 lbs
Max Pressure Drop :	20 PSI	Total Estimated Weight :	872.00 lbs
Altitude :	0 Ft	Fluid Type :	Propylene Glycol (built in)
Unit Type :	Low velocity medium industrial walk-in	Concentration :	30.00 %
Defrost Type :	Air defrost		

Fan(s) Data

Fan Motor Type :	Single Speed	Fan Arrangement :	1 X 4
Fan Motor HP :	0.50 HP	Fan Motor Total FLA :	3.80 A
Fan Motor RPM :	1140 RPM		
Fan Motor FLA :	0.95 A		

Coil(s) Data

Fins Per Inch :	6 (Standard)	FPI	Fin Material :	Aluminium
Coil Quantity :	2		Fin Pattern :	E
Connection(s) Quantity :	1		Connection Size In :	1.25" ø MPT
Circuit Quantity :	12		Connection Size Out :	1.25" ø MPT

Heater(s) Data

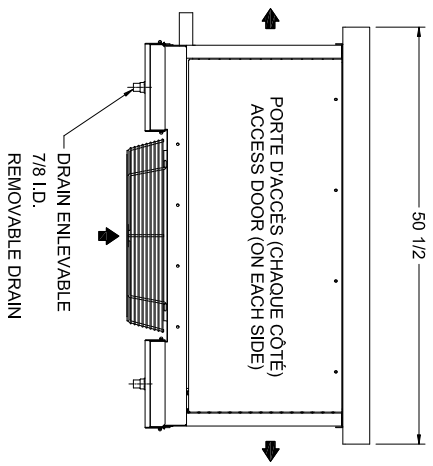
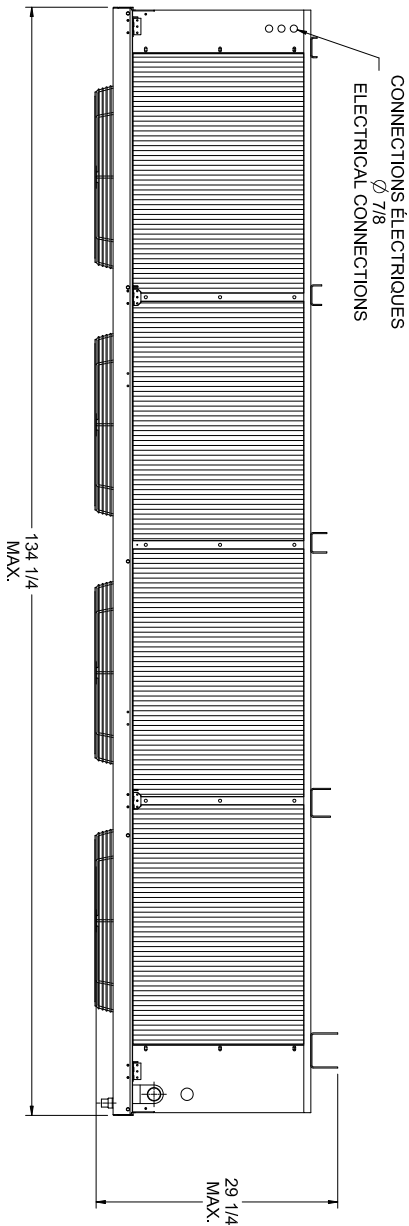
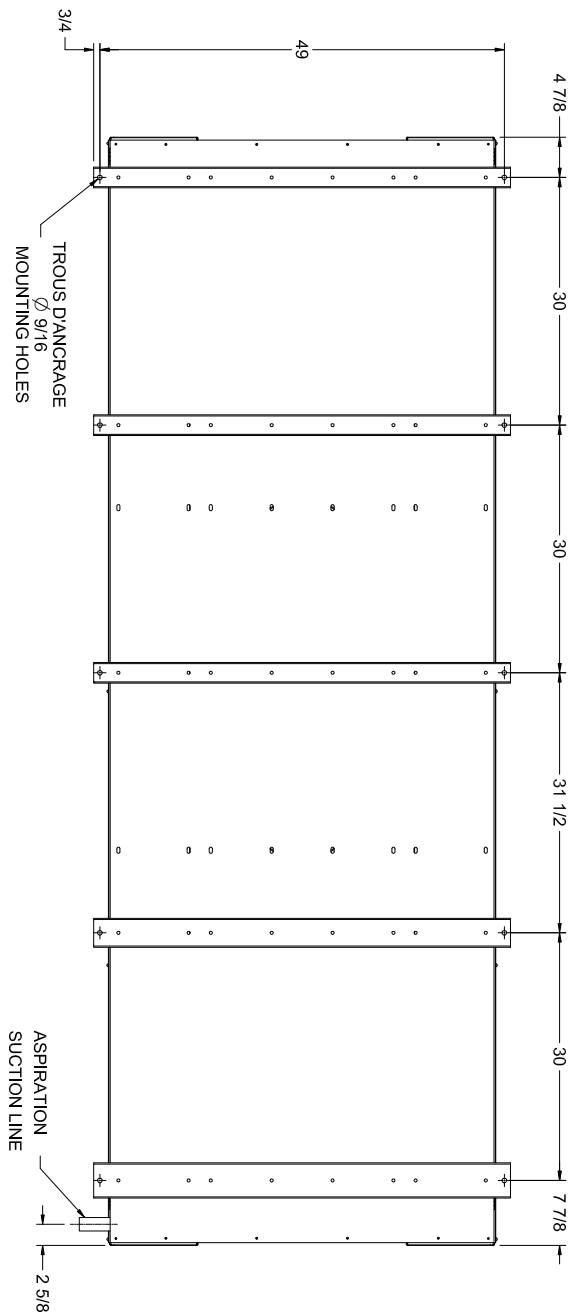
Heater Quantity In Coil :	0	Heater FLA :	0.00 A
Heater Quantity In Drain Pan :	0	Heater Total Power (Kw) :	0.00 Kw

Outputs

AIR SIDE		LIQUID SIDE	
Total Heat :	60.708 mbh	Leaving Liquid Temp :	31.8 °F
Sensible Heat :	57.380 mbh	GPM :	22.0
Latent Heat :	3.328 mbh	Liquid Velocity :	3.1 ft/sec
Leaving Dry Bulb :	33.1 °F	Liquid Pressure Drop :	15.27 PSI
Leaving Wet Bulb :	32.2 °F	Coil Face Area :	37.50 Sq. Ft

Electrical Summary Data

Unit Voltage :	480/3/60	V	Fan Motor & Ctrl MCA :	4.04 A
Heater MCA :	0.00	A	Fan Motor & Ctrl MOP :	15.00 A
Heater MOP :	0	A		
Control Voltage :	240/1/60	V		



Copyright © 2004 Replus inc. Tous droits réservés. Toute reproduction de ces dessins sans autorisation écrite de Replus inc. est strictement interdite. Replus inc., ses filiales et représentants ne peuvent en aucun cas être tenus responsables pour tout dommage corporel ou matériel résultant de l'utilisation de ces dessins, ou tout dommage relié aux copies, à l'utilisation de ceux-ci par votre compagnie, ses filiales ou ses représentants.

Copyright © 2004 Replus inc. All rights reserved. Any reproduction, in whole or in part, of these drawings without the written consent of Replus inc., its affiliates and representatives expressly disclaim any and all liability based on the use of these drawings by you, your affiliates or representatives.

Note:

À moins d'avoir contrôlé, les dimensions sont en pouces / Unless otherwise specified, dimensions are in inches.
Tolérances / Tolerances
Frac: ±1/8 Dec: — Ang: ± 2°
Non à l'échelle / Not to scale

REPLUS
1385, De Coultomb
Boucherville, Québec
CANADA, J4B 7L8
Tel: (450) 641-2665
Fax: (450) 641-4554
www.replus.com

Modèle / Model:	LMA (E,G,H) 11200, 13200
Par / By:	M. C.
Numéro Dessin / Drawing Number	LM000-04
Rev.	

Rev.	Date	Par/By	Description



RefPlus Inc.
 2777, Grande-Allée
 St-Hubert, (QC), J4T 2R4
 Tél : (450) 641-2665
 Fax : (450) 641-4554

Quote #	Item #
160635-A	19

To :

FES Ohio
 Attn : Joe Rubino
 1725 Washington Road- Suite 302
 Pittsburgh, PA USA
 15241

Informations :

Project Name : Warabeya Ohio Commissary - All Bidding Contractors
Created : 04/19/2024
Created By : Joe Rubino
Last Change : 04/19/2024
Last Change By : Joe Rubino
Tel. : 412 595-8571 Ext. :
Cell : 412-580-5825
Fax :
E-mail :

jrubino@fesohio.com

ITEM #	TAG	DESCRIPTION	QTY	UNIT PRICE	TOTAL PRICE
19	Room # 159A	LQA-15800L-9W	2		

Total Capacity 88.48 mbh
 Sensible Capacity 78.15 mbh
 Main Voltage 480/3/60
 Cooling Mode
 FPI 5

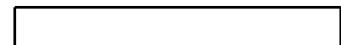
OPTIONS

Circuits - Standard 2
 Motors speed - Standard low speed 2
 Casing finish - Standard 2

ADDITIONAL ITEMS

Controller for EEV/TXV - Refplus Guardian+ factory installed 2

This quote is valid for 30 days. Prices are net. All applicable taxes extra.
 F.O.B plant in St-Hubert, Québec , Canada





RefPlus Inc.
 2777, Grande-Allée
 St-Hubert, (QC), J4T 2R4
 Tél : (450) 641-2665
 Fax : (450) 641-4554

Quote #	Item #
160635-A	19

LQA-15800L-9W

Tag : Room # 159A

General Informations

Heat Exchange Mode :	Cooling Mode	Row :	6	
Model Status :	Standard Catalog	Fins Per Inch :	5	
Entering Dry Bulb :	36.0 °F	Internal Volume :	2.86	Ft³
Entering Wet Bulb :	34.0 °F	Fluid Volume :	21.44	gal
Entering Liquid Temp :	26.0 °F	Unit Estimated Weight :	1,083.00	lbs
USGPM :	38.00	Options Added Weight :	0.00	lbs
Max Pressure Drop :	20 PSI	Total Estimated Weight :	1,083.00	lbs
Altitude :	0 Ft	Fluid Type :	Propylene Glycol (built in)	
Unit Type :	Low velocity large industrial walk-in with Ziehl Abegg Air defrost	Concentration :	30.00	%
Defrost Type :				

Fan(s) Data

Fan Motor Type :	Two Speeds	Fan Arrangement :	1 X 2	
Fan Motor HP :	0.50 HP	Fan Motor Total FLA :	2.20	A
Fan Motor RPM :	510 RPM			
Fan Motor FLA :	1.10 A			
Motor Speed For Selection :	Low Speed			

Coil(s) Data

Fins Per Inch :	5 FPI	Fin Material :	Aluminium	
Coil Quantity :	2	Fin Pattern :	F	
Connection(s) Quantity :	1	Connection Size In :	1.5" ø MPT	
Circuit Quantity :	28 (Standard)	Connection Size Out :	1.5" ø MPT	

Heater(s) Data

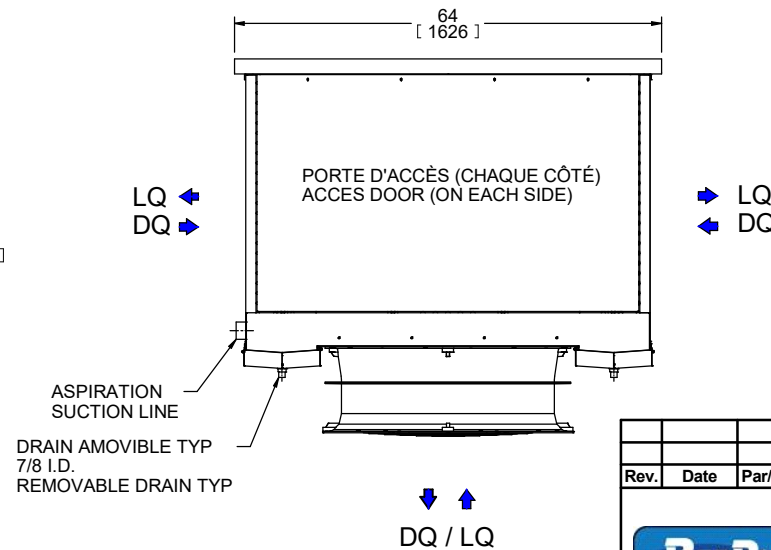
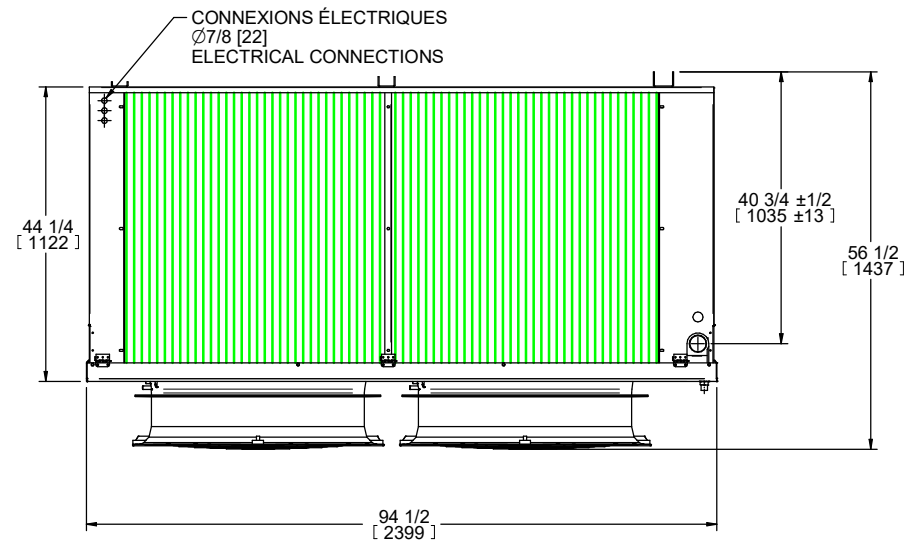
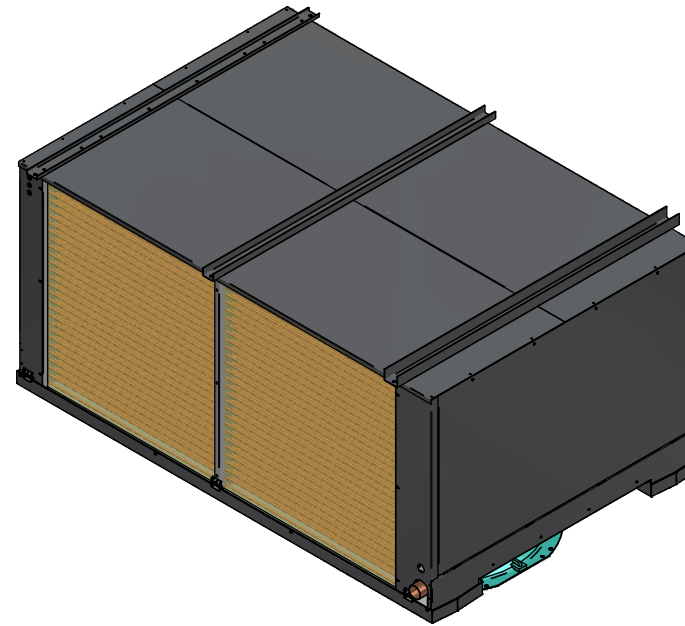
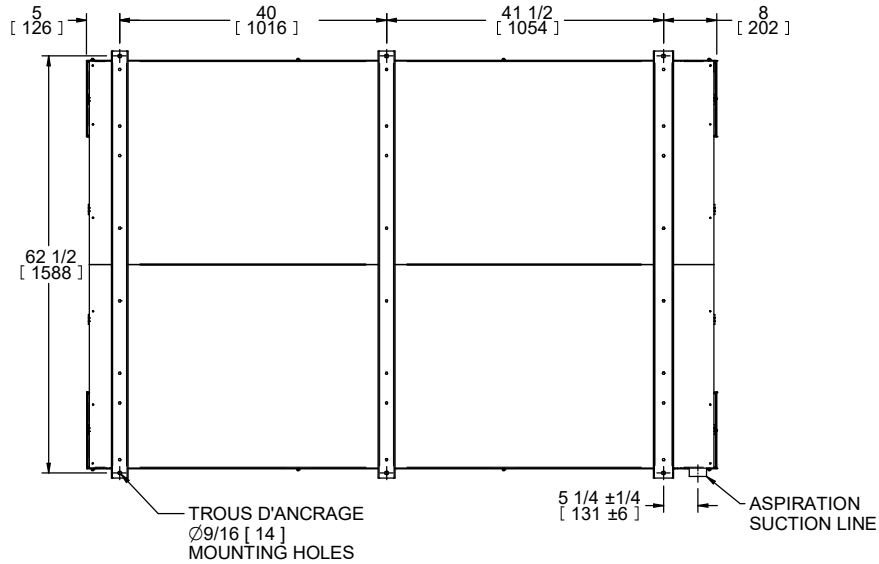
Heater Quantity In Coil :	0	Heater FLA :	0.00	A
Heater Quantity In Drain Pan :	0	Heater Total Power (Kw) :	0.00	Kw

Outputs

AIR SIDE			LIQUID SIDE		
Total Heat :	88.481	mbh	Leaving Liquid Temp :	30.9	°F
Sensible Heat :	78.151	mbh	GPM :	38.0	
Latent Heat :	10.330	mbh	Liquid Velocity :	2.3	ft/sec
Leaving Dry Bulb :	31.3	°F	Liquid Pressure Drop :	7.86 PSI	18.13 Ft(H ₂ O)
Leaving Wet Bulb :	30.9	°F	Coil Face Area :	46.67	Sq. Ft

Electrical Summary Data

Unit Voltage :	480/3/60	V	Fan Motor & Ctrl MCA :	2.48	A
Heater MCA :	0.00	A	Fan Motor & Ctrl MOP :	15.00	A
Heater MOP :	0	A			
Control Voltage :	240/1/60	V			



Rev.	Date	Par/By	Description

2777, Grande-Allée
St-Hubert, Québec
CANADA, J4T 2R4
Tel: (450) 641-2665
Fax: (450) 923-5210
www.refplus.com

Modèle / Model : IND. WALK-IN COOLER & FREEZER	
LQ, DQ (A, E, G, H)	
Par / By : obenhafia	Date : 05/05/2020
Numéro Dessin / Drawing Number	Rev.
LQ001-02	

Copyright © 2012 Refplus Inc. Tous droits réservés. Toute reproduction de ces dessins sans l'autorisation écrite de Refplus inc. est strictement interdite. Refplus inc., ses filiales et représentants ne peuvent en aucun cas être tenus responsables pour tout dommage découlant de toute erreur ou omission dans les dessins, ou tout dommage relié aux dessins ou à l'utilisation de ceux-ci par votre compagnie, ses filiales ou ses représentants.

Copyright © 2012 Refplus inc. All rights reserved. Any reproduction, in whole or in part, of these drawings is strictly prohibited without the written consent of Refplus Inc. Refplus inc., its affiliates and representatives expressly disclaim any and all liability based on or relating to these drawings, or errors or omissions in same, or based on the use of these drawings by you, your affiliates or representatives.

Note:

À moins d'avis contraire, les dimensions sont en pouces / Unless otherwise specified, dimensions are in inches.

Tolérances / Tolerances
Frac: ± 1/8 Dec: --- Ang: ± 2°
Non à l'échelle / Not to scale



RefPlus Inc.
 2777, Grande-Allée
 St-Hubert, (QC), J4T 2R4
 Tél : (450) 641-2665
 Fax : (450) 641-4554

Quote #	Item #
160635-A	20

To :

FES Ohio
 Attn : Joe Rubino
 1725 Washington Road- Suite 302
 Pittsburgh, PA USA
 15241

Informations :

Project Name : Warabeya Ohio Commissary - All Bidding Contractors
Created : 04/19/2024
Created By : Joe Rubino
Last Change : 04/19/2024
Last Change By : Joe Rubino
Tel. : 412 595-8571 Ext. :
Cell : 412-580-5825
Fax :
E-mail :

jrubino@fesohio.com

ITEM #	TAG	DESCRIPTION	QTY	UNIT PRICE	TOTAL PRICE
20	Room # 159B, 161B	EJA-06200L-9W	4		

Total Capacity 25.32 mbh
 Sensible Capacity 24.64 mbh
 Main Voltage 480/3/60
 Cooling Mode
 FPI 4

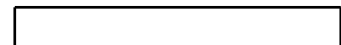
OPTIONS

Circuits - Standard 4
 Defrost type - Air defrost 4
 Motors speed - Standard low speed 4
 Air Throw - Standard 4
 Casing finish - Standard 4

ADDITIONAL ITEMS

Controller for EEV/TXV - Refplus Guardian+ factory installed 4

This quote is valid for 30 days. Prices are net. All applicable taxes extra.
 F.O.B plant in St-Hubert, Québec , Canada





RefPlus Inc.
 2777, Grande-Allée
 St-Hubert, (QC), J4T 2R4
 Tél : (450) 641-2665
 Fax : (450) 641-4554

Quote #	Item #
160635-A	20

EJA-06200L-9W

Tag : Room # 159B, 161B

General Informations

Heat Exchange Mode :	Cooling Mode	Row :	4	
Model Status :	Standard Catalog	Fins Per Inch :	4	
Entering Dry Bulb :	36.0 °F	Internal Volume :	0.68	Ft³
Entering Wet Bulb :	34.0 °F	Fluid Volume :	5.10	gal
Entering Liquid Temp :	26.0 °F	Unit Estimated Weight :	620.00	lbs
USGPM :	11.00	Options Added Weight :	0.00	lbs
Max Pressure Drop :	20 PSI	Total Estimated Weight :	620.00	lbs
Altitude :	0 Ft	Fluid Type :	Propylene Glycol (built in)	
Unit Type :	Medium industrial walk-in with Ziehl	Concentration :	30.00	%
	Abegg			
Defrost Type :	Air defrost			

Fan(s) Data

Fan Motor Type :	Two Speeds	Fan Arrangement :	1 X 2	
Fan Motor HP :	0.37 HP	Fan Motor Total FLA :	2.00	A
Fan Motor RPM :	1090 RPM			
Fan Motor FLA :	1.00 A			
Motor Speed For Selection :	Low Speed			

Coil(s) Data

Fins Per Inch :	4 FPI	Fin Material :	Aluminium	
Coil Quantity :	1	Fin Pattern :	F	
Connection(s) Quantity :	1	Connection Size In :	1" ø MPT	
Circuit Quantity :	8 (Standard)	Connection Size Out :	1" ø MPT	

Heater(s) Data

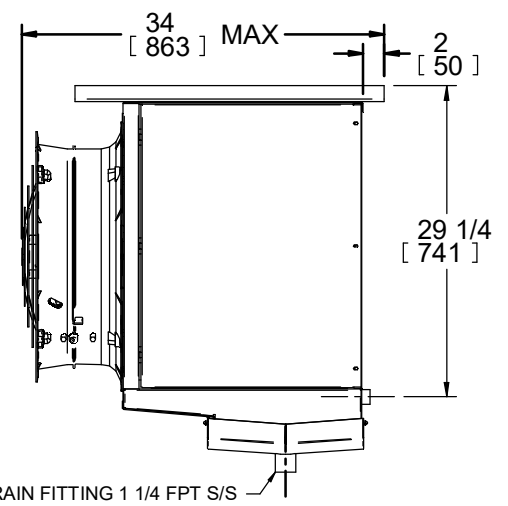
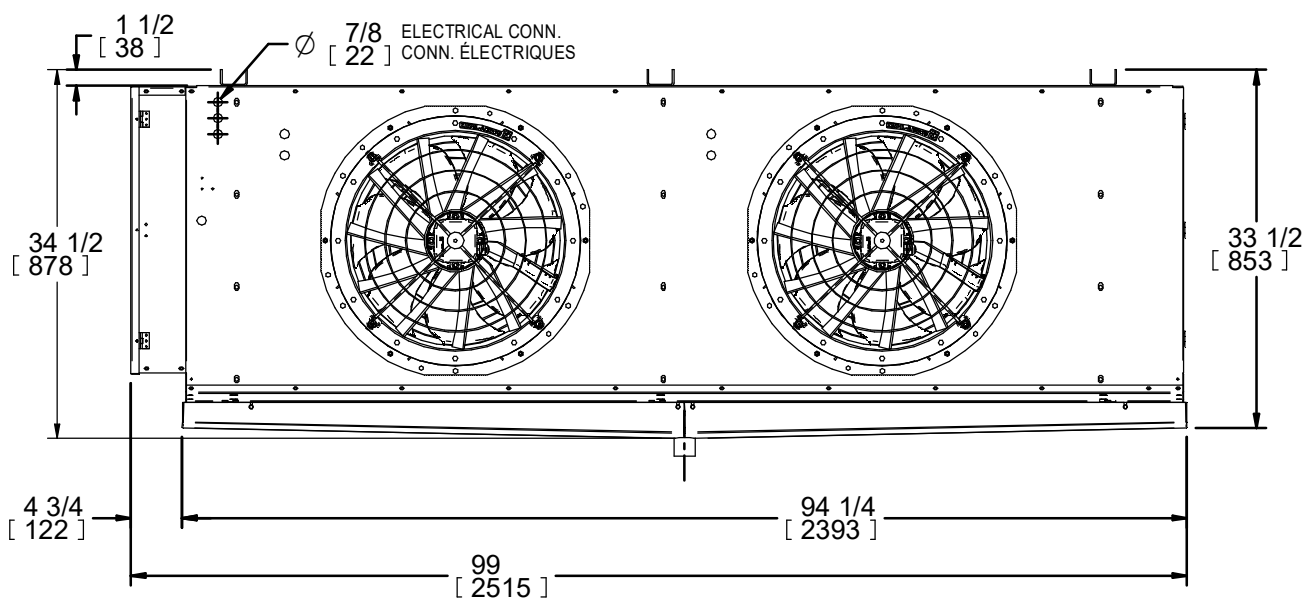
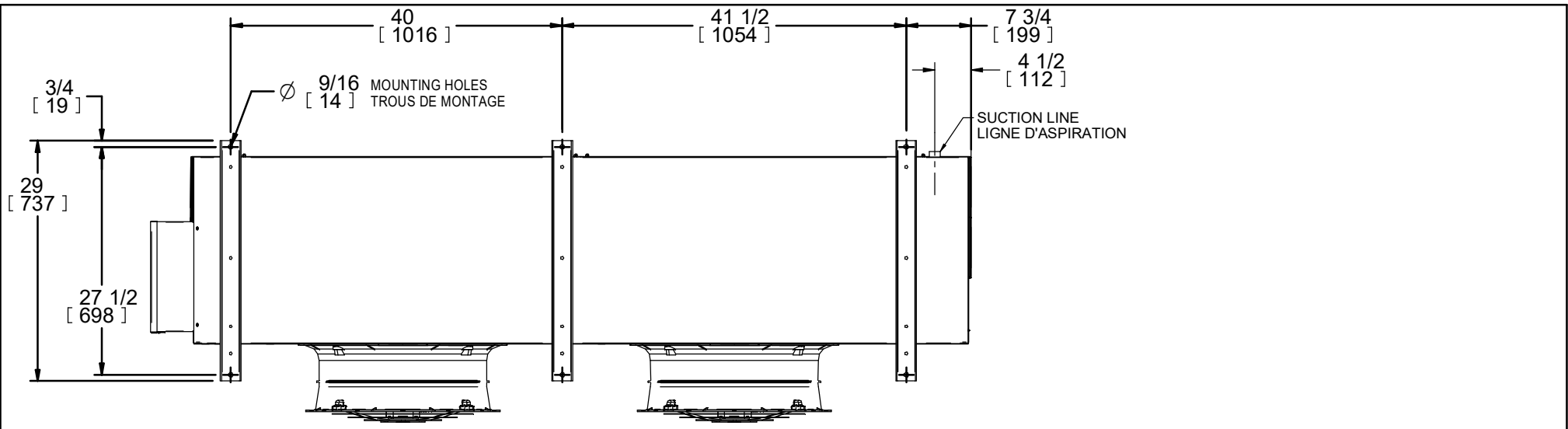
Heater Quantity In Coil :	0	Heater FLA :	0.00	A
Heater Quantity In Drain Pan :	0	Heater Total Power (Kw) :	0.00	Kw

Outputs

AIR SIDE			LIQUID SIDE		
Total Heat :	25.324	mbh	Leaving Liquid Temp :	30.8	°F
Sensible Heat :	24.635	mbh	GPM :	11.0	
Latent Heat :	0.689	mbh	Liquid Velocity :	2.3	ft/sec
Leaving Dry Bulb :	33.4	°F	Liquid Pressure Drop :	6.42 PSI	14.81 Ft(H ₂ O)
Leaving Wet Bulb :	32.4	°F	Coil Face Area :	16.67	Sq. Ft

Electrical Summary Data

Unit Voltage :	480/3/60	V	Fan Motor & Ctrl MCA :	2.25	A
Heater MCA :	0.00	A	Fan Motor & Ctrl MOP :	15.00	A
Heater MOP :	0	A			
Control Voltage :	240/1/60	V			



Rev.	Date	Par/By	Description
A	22/11/19	OBH	CHANGEMENT DRAIN PAN DOUBLE PENTE & TRANSITION VERS SOLIDEDGE

REFPLUS

2777, Grande-Allée
St-Hubert, Québec
CANADA, J4T 2R4
Tel: (450) 641-2665
Fax: (450) 923-5210
www.refplus.com

Copyright © 2012 Refplus inc. Tous droits réservés. Toute reproduction de ces dessins sans l'autorisation écrite de Refplus inc. est strictement interdite. Refplus inc., ses filiales et représentants ne peuvent en aucun cas être tenus responsables pour tout dommage découlant de toute erreur ou omission dans les dessins, ou tout dommage relié aux dessins ou à l'utilisation de ceux-ci par votre compagnie, ses filiales ou ses représentants.

Copyright © 2012 Refplus inc. All rights reserved. Any reproduction, in whole or in part, of these drawings is strictly prohibited without the written consent of Refplus inc. Refplus inc., its affiliates and representatives expressly disclaim any and all liability based on or relating to these drawings, or errors or omissions in same, or based on the use of these drawings by you, your affiliates or representatives.

Note:

À moins d'avis contraire, les dimensions sont en pouces / Unless otherwise specified, dimensions are in inches.
Tolérances / Tolerances
Frac: ±1/8 Dec: --- Ang: ± 2°
Non à l'échelle / Not to scale

Modèle / Model : IND.WALK-IN COOLER	
EJ (A, E, G, H) ZIEHL-ABEGG 2 FANS	
Par / By : MC	Date : 13/04/2016
Numéro Dessin / Drawing Number	Rev. A



RefPlus Inc.
 2777, Grande-Allée
 St-Hubert, (QC), J4T 2R4
 Tél : (450) 641-2665
 Fax : (450) 641-4554

Quote #	Item #
160635-A	21

To :

FES Ohio
 Attn : Joe Rubino
 1725 Washington Road- Suite 302
 Pittsburgh, PA USA
 15241

Informations :

Project Name : Warabeya Ohio Commissary - All Bidding Contractors
Created : 04/19/2024
Created By : Joe Rubino
Last Change : 04/19/2024
Last Change By : Joe Rubino
Tel. : 412 595-8571 Ext. :
Cell : 412-580-5825
Fax :
E-mail :

jrubino@fesohio.com

ITEM #	TAG	DESCRIPTION	QTY	UNIT PRICE	TOTAL PRICE
21	Room # 160	EJA-05100L-9W	1		

Total Capacity 169.30 mbh
 Sensible Capacity 95.76 mbh
 Main Voltage 480/3/60
 Cooling Mode
 FPI 6 (Standard)

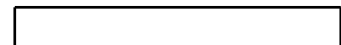
OPTIONS

Circuits - Custom 1
 Defrost type - Air defrost 1
 Motors speed - Standard low speed 1
 Air Throw - Standard 1
 Casing finish - Standard 1

ADDITIONAL ITEMS

Controller for EEV/TXV - Refplus Guardian+ factory installed 1

This quote is valid for 30 days. Prices are net. All applicable taxes extra.
 F.O.B plant in St-Hubert, Québec , Canada





RefPlus Inc.
 2777, Grande-Allée
 St-Hubert, (QC), J4T 2R4
 Tél : (450) 641-2665
 Fax : (450) 641-4554

Quote #	Item #
160635-A	21

EJA-05100L-9W

Tag : Room # 160

General Informations

Heat Exchange Mode :	Cooling Mode	Row :	3
Model Status :	Standard Catalog	Fins Per Inch :	6
Entering Dry Bulb :	65.0 °F	Internal Volume :	0.51 Ft ³
Entering Wet Bulb :	60.0 °F	Fluid Volume :	3.82 gal
Entering Liquid Temp :	26.0 °F	Unit Estimated Weight :	595.00 lbs
USGPM :	76.00	Options Added Weight :	0.00 lbs
Max Pressure Drop :	20 PSI	Total Estimated Weight :	595.00 lbs
Altitude :	0 Ft	Fluid Type :	Propylene Glycol (built in)
Unit Type :	Medium industrial walk-in with Ziehl	Concentration :	30.00 %
	Abegg		
Defrost Type :	Air defrost		

Fan(s) Data

Fan Motor Type :	Two Speeds	Fan Arrangement :	1 X 2
Fan Motor HP :	0.37 HP	Fan Motor Total FLA :	2.00 A
Fan Motor RPM :	1090 RPM		
Fan Motor FLA :	1.00 A		
Motor Speed For Selection :	Low Speed		

Coil(s) Data

Fins Per Inch :	6 (Standard)	FPI	Fin Material :	Aluminium
Coil Quantity :	1		Fin Pattern :	F
Connection(s) Quantity :	1		Connection Size In :	2" ø MPT
Circuit Quantity :	30		Connection Size Out :	2" ø MPT

Heater(s) Data

Heater Quantity In Coil :	0	Heater FLA :	0.00 A
Heater Quantity In Drain Pan :	0	Heater Total Power (Kw) :	0.00 Kw

Outputs

AIR SIDE

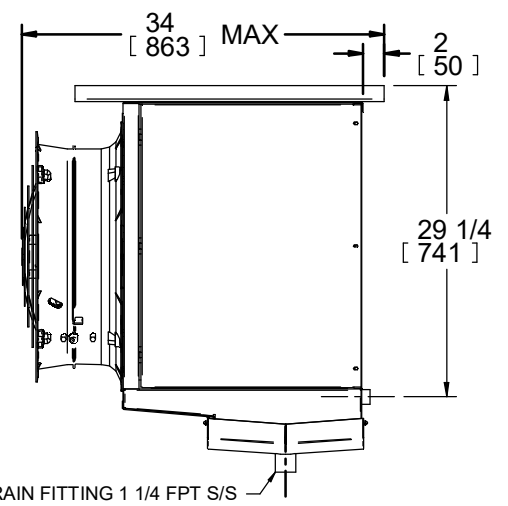
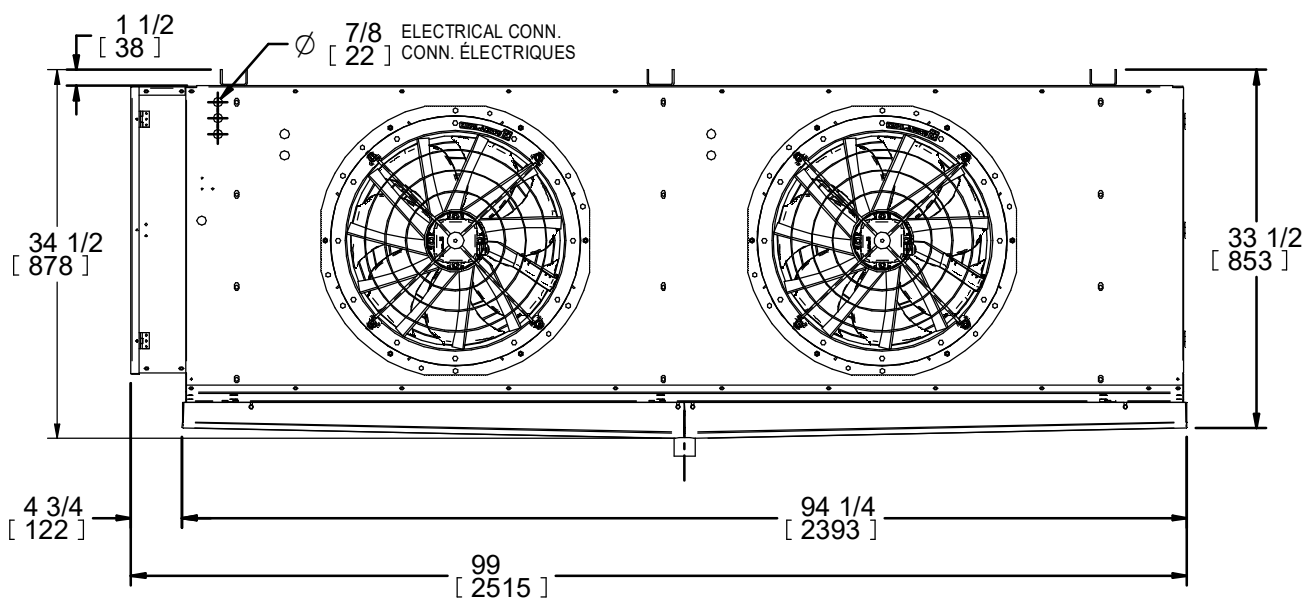
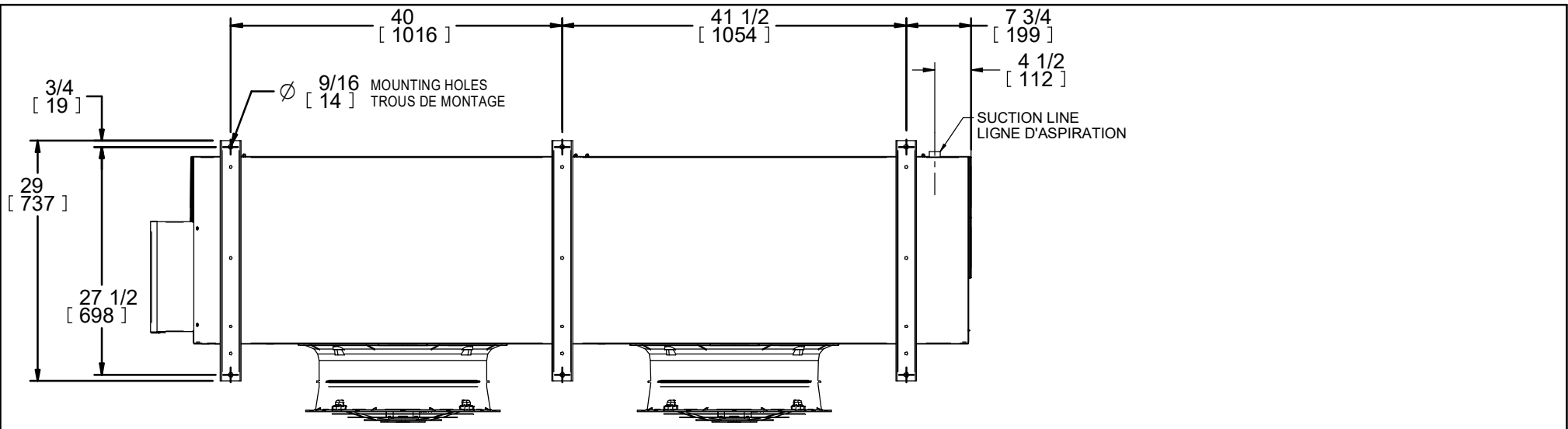
Total Heat :	169.297	mbh
Sensible Heat :	95.759	mbh
Latent Heat :	73.538	mbh
Leaving Dry Bulb :	54.7	°F
Leaving Wet Bulb :	53.2	°F

LIQUID SIDE

Leaving Liquid Temp :	30.7	°F
GPM :	76.0	
Liquid Velocity :	4.3	ft/sec
Liquid Pressure Drop :	5.90 PSI	13.61 Ft(H ₂ O)
Coil Face Area :	16.67	Sq. Ft

Electrical Summary Data

Unit Voltage :	480/3/60	V	Fan Motor & Ctrl MCA :	2.25	A
Heater MCA :	0.00	A	Fan Motor & Ctrl MOP :	15.00	A
Heater MOP :	0	A			
Control Voltage :	240/1/60	V			



Rev.	Date	Par/By	Description
A	22/11/19	OBH	CHANGEMENT DRAIN PAN DOUBLE PENTE & TRANSITION VERS SOLIDEDGE

REFPLUS

2777, Grande-Allée
St-Hubert, Québec
CANADA, J4T 2R4
Tel: (450) 641-2665
Fax: (450) 923-5210
www.refplus.com

Copyright © 2012 Refplus inc. Tous droits réservés. Toute reproduction de ces dessins sans l'autorisation écrite de Refplus inc. est strictement interdite. Refplus inc., ses filiales et représentants ne peuvent en aucun cas être tenus responsables pour tout dommage découlant de toute erreur ou omission dans les dessins, ou tout dommage relié aux dessins ou à l'utilisation de ceux-ci par votre compagnie, ses filiales ou ses représentants.

Copyright © 2012 Refplus inc. All rights reserved. Any reproduction, in whole or in part, of these drawings is strictly prohibited without the written consent of Refplus inc. Refplus inc., its affiliates and representatives expressly disclaim any and all liability based on or relating to these drawings, or errors or omissions in same, or based on the use of these drawings by you, your affiliates or representatives.

Note:

À moins d'avis contraire, les dimensions sont en pouces / Unless otherwise specified, dimensions are in inches.
Tolérances / Tolerances
Frac: ±1/8 Dec: --- Ang: ± 2°
Non à l'échelle / Not to scale

Modèle / Model : IND.WALK-IN COOLER	
EJ (A, E, G, H) ZIEHL-ABEGG 2 FANS	
Par / By : MC	Date : 13/04/2016
Numéro Dessin / Drawing Number	Rev. A



RefPlus Inc.
 2777, Grande-Allée
 St-Hubert, (QC), J4T 2R4
 Tél : (450) 641-2665
 Fax : (450) 641-4554

Quote #	Item #
160635-A	22

To :

FES Ohio
 Attn : Joe Rubino
 1725 Washington Road- Suite 302
 Pittsburgh, PA USA
 15241

Informations :

Project Name : Warabeya Ohio Commissary - All Bidding Contractors
Created : 04/19/2024
Created By : Joe Rubino
Last Change : 04/19/2024
Last Change By : Joe Rubino
Tel. : 412 595-8571 Ext. :
Cell : 412-580-5825
Fax :
E-mail :

jrubino@fesohio.com

ITEM #	TAG	DESCRIPTION	QTY	UNIT PRICE	TOTAL PRICE
22	Room # 160A	EJA-02500L-9W	1		

Total Capacity 92.42 mbh
 Sensible Capacity 49.21 mbh
 Main Voltage 480/3/60
 Cooling Mode
 FPI 4

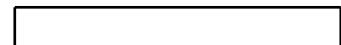
OPTIONS

Circuits - Custom 1
 Defrost type - Air defrost 1
 Motors speed - Standard low speed 1
 Air Throw - Standard 1
 Casing finish - Standard 1

ADDITIONAL ITEMS

Controller for EEV/TXV - Refplus Guardian+ factory installed 1

This quote is valid for 30 days. Prices are net. All applicable taxes extra.
 F.O.B plant in St-Hubert, Québec , Canada





RefPlus Inc.
 2777, Grande-Allée
 St-Hubert, (QC), J4T 2R4
 Tél : (450) 641-2665
 Fax : (450) 641-4554

Quote #	Item #
160635-A	22

EJA-02500L-9W

Tag : Room # 160A

General Informations

Heat Exchange Mode :	Cooling Mode	Row :	3
Model Status :	Standard Catalog	Fins Per Inch :	4
Entering Dry Bulb :	65.0 °F	Internal Volume :	0.27 Ft ³
Entering Wet Bulb :	60.0 °F	Fluid Volume :	2.02 gal
Entering Liquid Temp :	26.0 °F	Unit Estimated Weight :	370.00 lbs
Leaving Liquid Temp :	31.2 °F	Options Added Weight :	0.00 lbs
Max Pressure Drop :	20 PSI	Total Estimated Weight :	370.00 lbs
Altitude :	0 Ft	Fluid Type :	Propylene Glycol (built in)
Unit Type :	Medium industrial walk-in with Ziehl	Concentration :	30.00 %
	Abegg		
Defrost Type :	Air defrost		

Fan(s) Data

Fan Motor Type :	Two Speeds	Fan Arrangement :	1 X 1
Fan Motor HP :	0.37 HP	Fan Motor Total FLA :	1.00 A
Fan Motor RPM :	1090 RPM		
Fan Motor FLA :	1.00 A		
Motor Speed For Selection :	Low Speed		

Coil(s) Data

Fins Per Inch :	4 FPI	Fin Material :	Aluminium
Coil Quantity :	1	Fin Pattern :	F
Connection(s) Quantity :	1	Connection Size In :	1.5" ø MPT
Circuit Quantity :	10	Connection Size Out :	1.5" ø MPT

Heater(s) Data

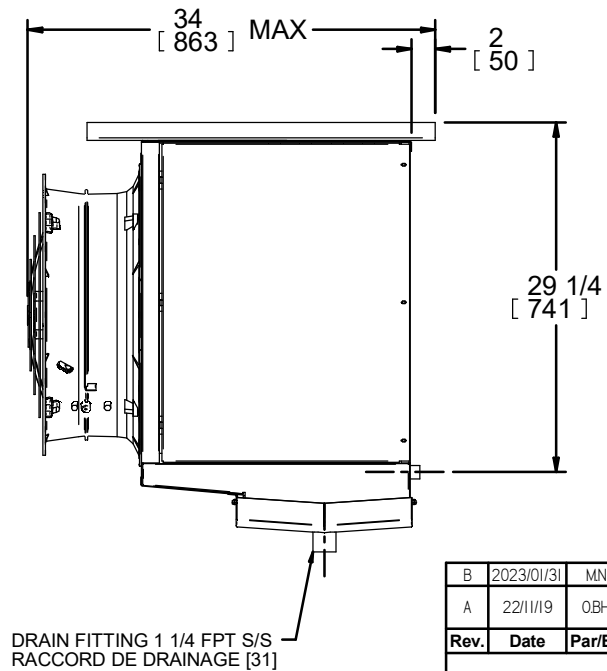
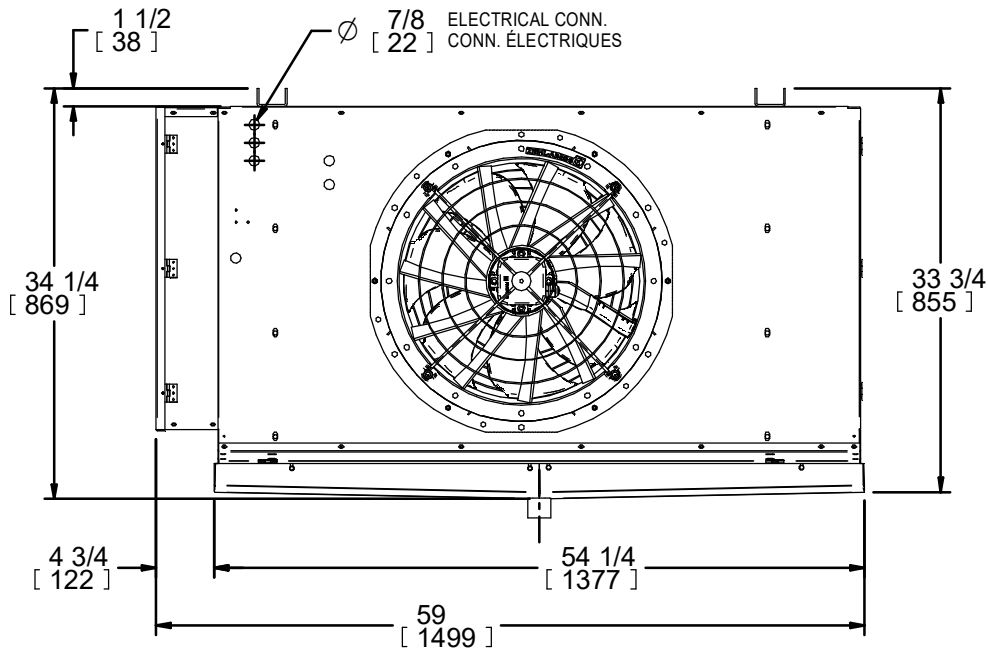
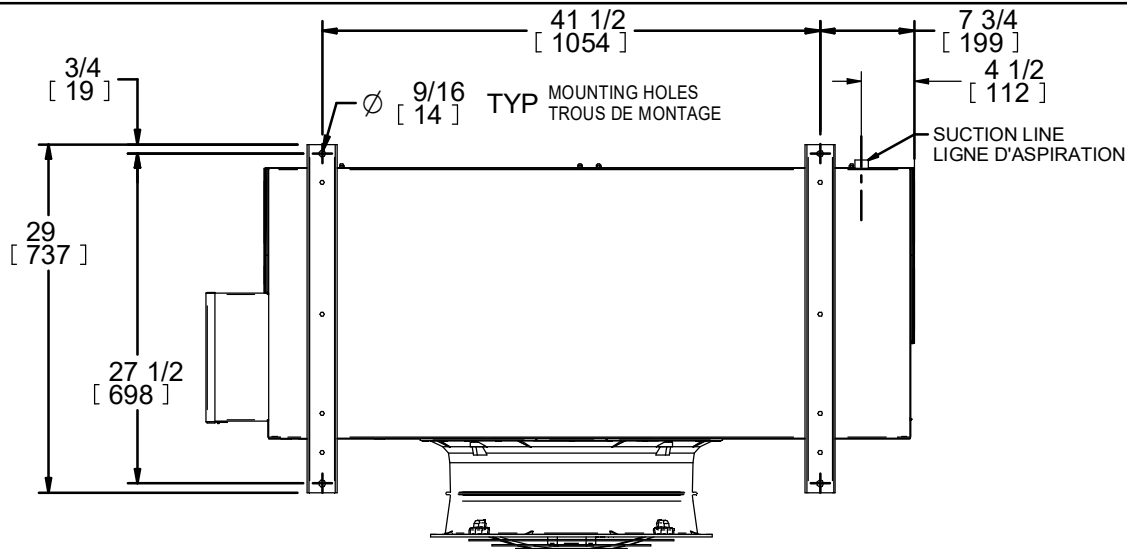
Heater Quantity In Coil :	0	Heater FLA :	0.00 A
Heater Quantity In Drain Pan :	0	Heater Total Power (Kw) :	0.00 Kw

Outputs

AIR SIDE		LIQUID SIDE	
Total Heat :	92.417 mbh	Leaving Liquid Temp :	31.2 °F
Sensible Heat :	49.211 mbh	GPM :	37.1
Latent Heat :	43.206 mbh	Liquid Velocity :	6.3 ft/sec
Leaving Dry Bulb :	54.5 °F	Liquid Pressure Drop :	13.81 PSI 31.86 Ft(H ₂ O)
Leaving Wet Bulb :	52.5 °F	Coil Face Area :	8.33 Sq. Ft

Electrical Summary Data

Unit Voltage :	480/3/60 V	Fan Motor & Ctrl MCA :	1.25 A
Heater MCA :	0.00 A	Fan Motor & Ctrl MOP :	15.00 A
Heater MOP :	0 A		
Control Voltage :	240/1/60 V		



B	2023/01/31	MN	MISE À JOUR
A	22/11/19	OBH	CHANGEMENT DRAIN PAN DOUBLE PENTE & TRANSITION VERS SOLIDEDGE
Rev.	Date	Par/By	Description



2777, Grande-Allée
 St-Hubert, Québec
 CANADA, J4T 2R4
 Tel: (450) 641-2665
 Fax: (450) 923-5210
 www.refplus.com

Copyright © 2012 Refplus inc. Tous droits réservés. Toute reproduction de ces dessins sans l'autorisation écrite de Refplus inc. est strictement interdite. Refplus inc., ses filiales et représentants ne peuvent en aucun cas être tenus responsables pour tout dommage découlant de toute erreur ou omission dans les dessins, ou tout dommage relié aux dessins ou à l'utilisation de ceux-ci par votre compagnie, ses filiales ou ses représentants.

Copyright © 2012 Refplus inc. All rights reserved. Any reproduction, in whole or in part, of these drawings is strictly prohibited without the written consent of Refplus inc. Refplus inc., its affiliates and representatives expressly disclaim any and all liability based on or relating to these drawings, or errors or omissions in same, or based on the use of these drawings by you, your affiliates or representatives.

Note:

À moins d'avis contraire, les dimensions sont en pouces / Unless otherwise specified, dimensions are in inches.
 Tolérances / Tolerances
 Frac: ±1/8 Dec: --- Ang: ± 2°
 Non à l'échelle / Not to scale

Modèle / Model : IND. WALK-IN COOLER	
EJ IA, E, G, HI - ZIEHL ABEGG I FAN	
Par / By : MC	Date : 13/04/2016
Numéro Dessin / Drawing Number	Rev. B



RefPlus Inc.
 2777, Grande-Allée
 St-Hubert, (QC), J4T 2R4
 Tél : (450) 641-2665
 Fax : (450) 641-4554

Quote #	Item #
160635-A	23

To :

FES Ohio
 Attn : Joe Rubino
 1725 Washington Road- Suite 302
 Pittsburgh, PA USA
 15241

Informations :

Project Name : Warabeya Ohio Commissary - All Bidding Contractors
Created : 04/19/2024
Created By : Joe Rubino
Last Change : 04/19/2024
Last Change By : Joe Rubino
Tel. : 412 595-8571 Ext. :
Cell : 412-580-5825
Fax :
E-mail :

jrubino@fesohio.com

ITEM #	TAG	DESCRIPTION	QTY	UNIT PRICE	TOTAL PRICE
23	Room # 173, 162A	EQA-39200-9W	6		

Total Capacity 164.85 mbh
 Sensible Capacity 160.64 mbh
 Main Voltage 480/3/60
 Cooling Mode
 FPI 4

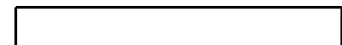
OPTIONS

Circuits - Custom 6
 Defrost type - Air defrost 6
 Electronic commutated motor - Variable 0-10V (controlled by other) 6
 Air Throw - Standard 6
 Casing finish - Standard 6

ADDITIONAL ITEMS

Controller for EEV/TXV - Refplus Guardian+ factory installed 6

This quote is valid for 30 days. Prices are net. All applicable taxes extra.
 F.O.B plant in St-Hubert, Québec , Canada





RefPlus Inc.
 2777, Grande-Allée
 St-Hubert, (QC), J4T 2R4
 Tél : (450) 641-2665
 Fax : (450) 641-4554

Quote #	Item #
160635-A	23

EQA-39200-9W

Tag : Room # 173, 162A

General Informations

Heat Exchange Mode :	Cooling Mode	Row :	6
Model Status :	Standard Catalog	Fins Per Inch :	4
Entering Dry Bulb :	36.0 °F	Internal Volume :	4.94 Ft³
Entering Wet Bulb :	34.0 °F	Fluid Volume :	36.95 gal
Entering Liquid Temp :	26.0 °F	Unit Estimated Weight :	2,450.00 lbs
USGPM :	70.00	Options Added Weight :	0.00 lbs
Max Pressure Drop :	20 PSI	Total Estimated Weight :	2,450.00 lbs
Altitude :	0 Ft	Fluid Type :	Propylene Glycol (built in)
Unit Type :	Large industrial walk-in with Ziehl Abegg	Concentration :	30.00 %
Defrost Type :	Air defrost		

Fan(s) Data

	Fan Arrangement :	1 X 5
	Fan Motor Total FLA :	16.00 A
	Opt. Fan Motor Qty :	5
Motor Speed For Selection :	High Speed	
Opt. Fan Motor Type :	ECM 0-10V	
Opt. Fan Motor HP (HS) :	3.20 hp	
Opt. Fan Motor RPM (HS) :	950 RPM	
Opt. Fan Motor FLA (HS) :	3.20 A	

Coil(s) Data

Fins Per Inch :	4 FPI	Fin Material :	Aluminium
Coil Quantity :	1	Fin Pattern :	F
Connection(s) Quantity :	2	Connection Size In :	2" ø MPT
Circuit Quantity :	40	Connection Size Out :	2" ø MPT

Heater(s) Data

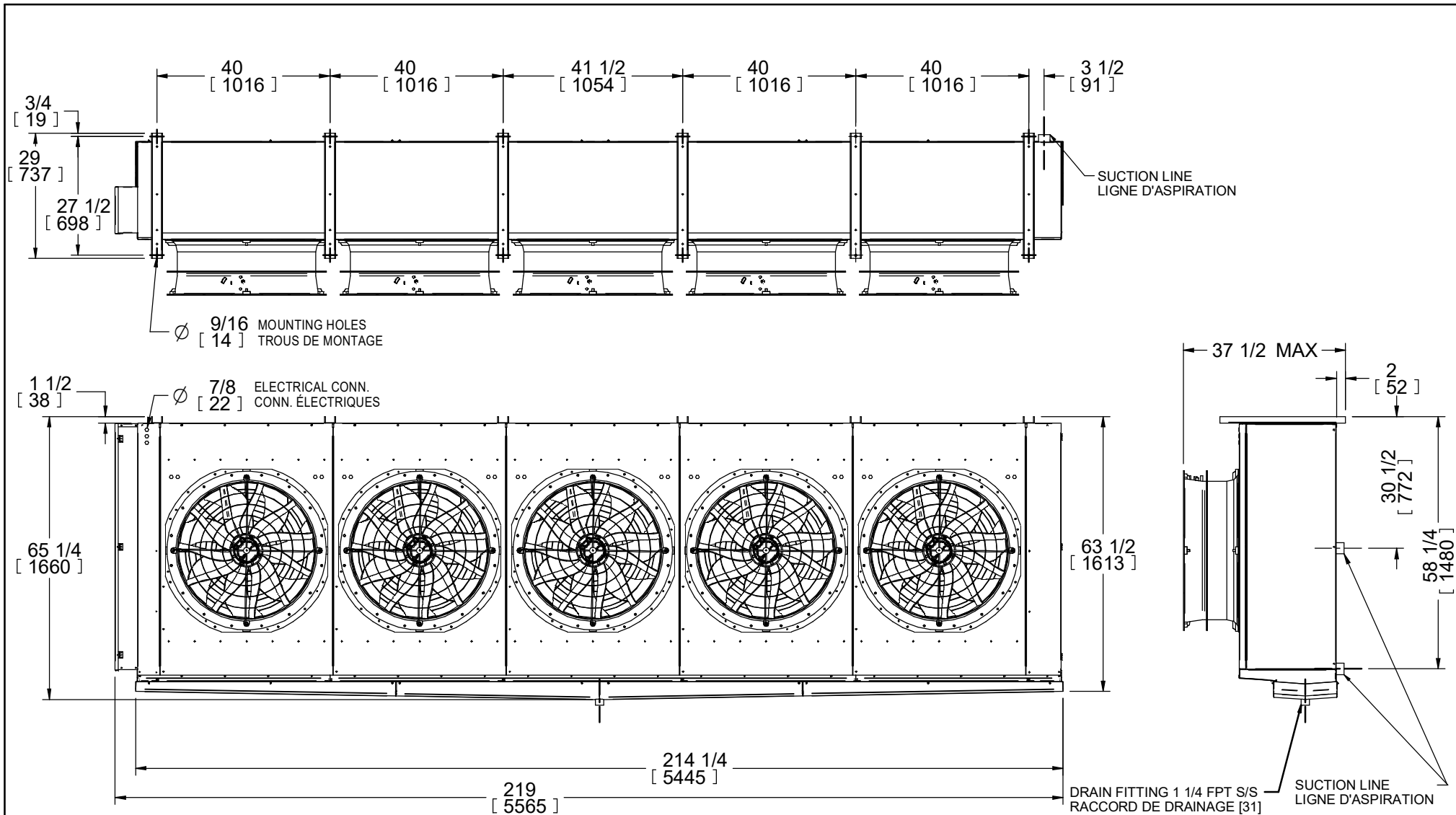
Heater Quantity In Coil :	0	Heater FLA :	0.00 A
Heater Quantity In Drain Pan :	0	Heater Total Power (Kw) :	0.00 Kw

Outputs

AIR SIDE		LIQUID SIDE	
Total Heat :	164.853 mbh	Leaving Liquid Temp :	30.9 °F
Sensible Heat :	160.638 mbh	GPM :	70.0
Latent Heat :	4.215 mbh	Liquid Velocity :	3.0 ft/sec
Leaving Dry Bulb :	32.7 °F	Liquid Pressure Drop :	11.71 PSI 27.01 Ft(H2O)
Leaving Wet Bulb :	32.0 °F	Coil Face Area :	83.33 Sq. Ft

Electrical Summary Data

Unit Voltage :	480/3/60 V	Fan Motor & Ctrl MCA :	16.80 A
Heater MCA :	0.00 A	Fan Motor & Ctrl MOP :	20.00 A
Heater MOP :	0 A		
Control Voltage :	240/1/60 V		



Rev.	Date	Par/By	Description
			 2777, Grande-Allée St-Hubert, Québec CANADA, J4T 2R4 Tel: (450) 641-2665 Fax: (450) 923-5210 www.refplus.com

Copyright © 2012 Refplus inc. Tous droits réservés. Toute reproduction de ces dessins sans l'autorisation écrite de Refplus inc. est strictement interdite. Refplus inc., ses filiales et représentants ne peuvent en aucun cas être tenus responsables pour tout dommage découlant de toute erreur ou omission dans les dessins, ou tout dommage relié aux dessins ou à l'utilisation de ceux-ci par votre compagnie, ses filiales ou ses représentants.

Copyright © 2012 Refplus inc. All rights reserved. Any reproduction, in whole or in part, of these drawings is strictly prohibited without the written consent of Refplus inc. Refplus inc., its affiliates and representatives expressly disclaim any and all liability based on or relating to these drawings, or errors or omissions in same, or based on the use of these drawings by you, your affiliates or representatives.

Note:

À moins d'avis contraire, les dimensions sont en pouces / Unless otherwise specified, dimensions are in inches.
 Tolérances / Tolerances
 Frac: ±1/8 Dec: --- Ang: ± 2°
 Non à l'échelle / Not to scale

Modèle / Model : IND. WALK-IN COOLER	
EQ IA, E, G, HI - EX IA, E, G, HI 5 FANS	
Par / By : obenhafsia	Date : 03/05/2016
Numéro Dessin / Drawing Number EQ10013	Rev.



RefPlus Inc.
 2777, Grande-Allée
 St-Hubert, (QC), J4T 2R4
 Tél : (450) 641-2665
 Fax : (450) 641-4554

Quote #	Item #
160635-A	24

To :

FES Ohio
 Attn : Joe Rubino
 1725 Washington Road- Suite 302
 Pittsburgh, PA USA
 15241

Informations :

Project Name : Warabeya Ohio Commissary - All Bidding Contractors
Created : 04/19/2024
Created By : Joe Rubino
Last Change : 04/19/2024
Last Change By : Joe Rubino
Tel. : 412 595-8571 Ext. :
Cell : 412-580-5825
Fax :
E-mail :

jrubino@fesohio.com

ITEM #	TAG	DESCRIPTION	QTY	UNIT PRICE	TOTAL PRICE
24	Room #, 162B	EJA-07400L-9W	2		

Total Capacity 37.69 mbh
 Sensible Capacity 34.90 mbh
 Main Voltage 480/3/60
 Cooling Mode
 FPI 5

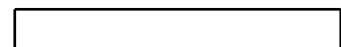
OPTIONS

Circuits - Standard 2
 Defrost type - Air defrost 2
 Motors speed - Standard low speed 2
 Air Throw - Standard 2
 Casing finish - Standard 2

ADDITIONAL ITEMS

Controller for EEV/TXV - Refplus Guardian+ factory installed 2

This quote is valid for 30 days. Prices are net. All applicable taxes extra.
 F.O.B plant in St-Hubert, Québec , Canada





RefPlus Inc.
 2777, Grande-Allée
 St-Hubert, (QC), J4T 2R4
 Tél : (450) 641-2665
 Fax : (450) 641-4554

Quote #	Item #
160635-A	24

EJA-07400L-9W

Tag : Room #, 162B

General Informations

Heat Exchange Mode :	Cooling Mode	Row :	6	
Model Status :	Standard Catalog	Fins Per Inch :	5	
Entering Dry Bulb :	36.0 °F	Internal Volume :	1.02	Ft³
Entering Wet Bulb :	34.0 °F	Fluid Volume :	7.65	gal
Entering Liquid Temp :	26.0 °F	Unit Estimated Weight :	660.00	lbs
USGPM :	16.00	Options Added Weight :	0.00	lbs
Max Pressure Drop :	20 PSI	Total Estimated Weight :	660.00	lbs
Altitude :	0 Ft	Fluid Type :	Propylene Glycol (built in)	
Unit Type :	Medium industrial walk-in with Ziehl	Concentration :	30.00	%
	Abegg			
Defrost Type :	Air defrost			

Fan(s) Data

Fan Motor Type :	Two Speeds	Fan Arrangement :	1 X 2	
Fan Motor HP :	0.37 HP	Fan Motor Total FLA :	2.00	A
Fan Motor RPM :	1090 RPM			
Fan Motor FLA :	1.00 A			
Motor Speed For Selection :	Low Speed			

Coil(s) Data

Fins Per Inch :	5 FPI	Fin Material :	Aluminium	
Coil Quantity :	1	Fin Pattern :	F	
Connection(s) Quantity :	1	Connection Size In :	1" ø MPT	
Circuit Quantity :	10 (Standard)	Connection Size Out :	1" ø MPT	

Heater(s) Data

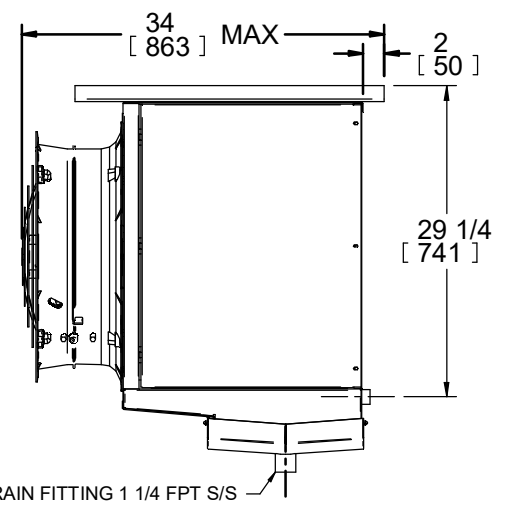
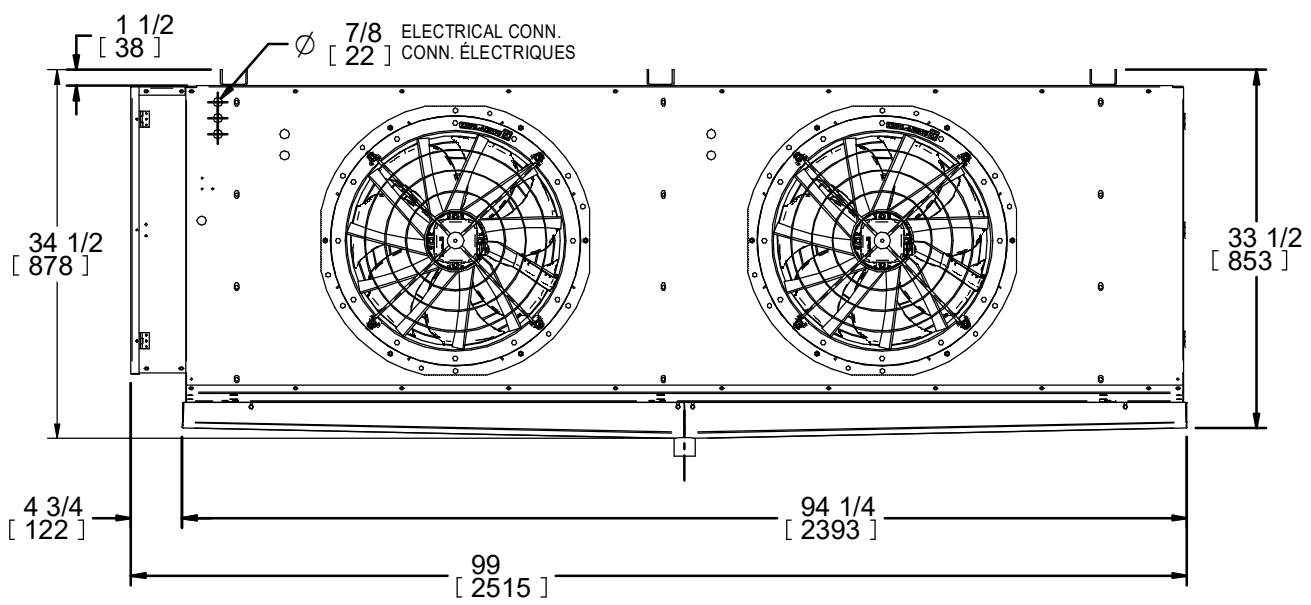
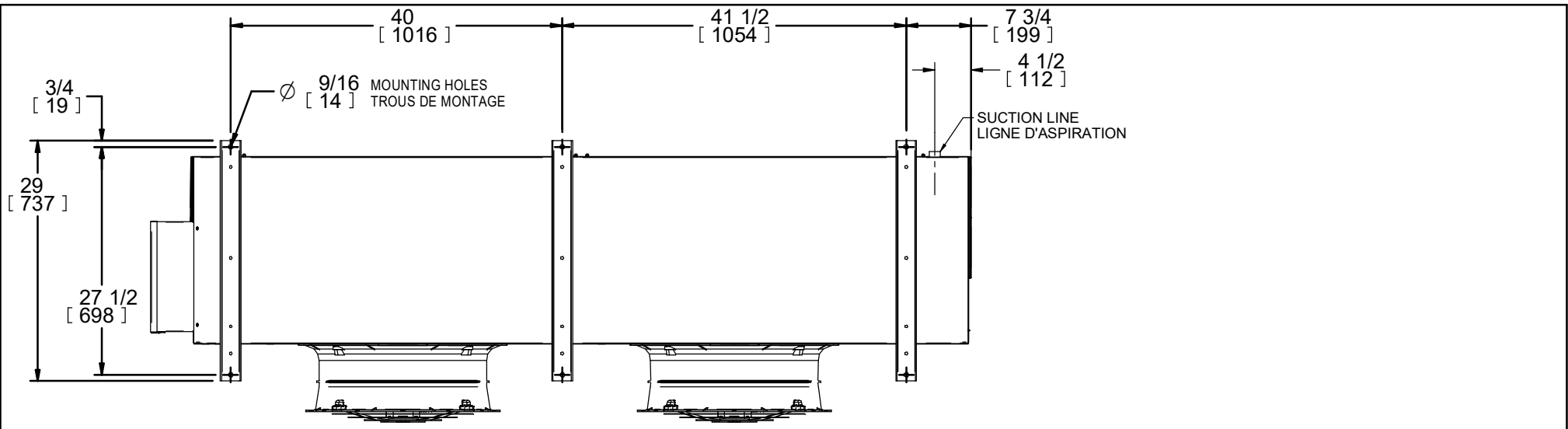
Heater Quantity In Coil :	0	Heater FLA :	0.00	A
Heater Quantity In Drain Pan :	0	Heater Total Power (Kw) :	0.00	Kw

Outputs

AIR SIDE			LIQUID SIDE		
Total Heat :	37.690	mbh	Leaving Liquid Temp :	30.9	°F
Sensible Heat :	34.899	mbh	GPM :	16.0	
Latent Heat :	2.791	mbh	Liquid Velocity :	2.7	ft/sec
Leaving Dry Bulb :	32.0	°F	Liquid Pressure Drop :	10.46 PSI	24.13 Ft(H2O)
Leaving Wet Bulb :	31.4	°F	Coil Face Area :	16.67	Sq. Ft

Electrical Summary Data

Unit Voltage :	480/3/60	V	Fan Motor & Ctrl MCA :	2.25	A
Heater MCA :	0.00	A	Fan Motor & Ctrl MOP :	15.00	A
Heater MOP :	0	A			
Control Voltage :	240/1/60	V			



Rev.	Date	Par/By	Description
A	22/11/19	OBH	CHANGEMENT DRAIN PAN DOUBLE PENTE & TRANSITION VERS SOLIDEDGE

REFPLUS

2777, Grande-Allée
St-Hubert, Québec
CANADA, J4T 2R4
Tel: (450) 641-2665
Fax: (450) 923-5210
www.refplus.com

Copyright © 2012 Refplus inc. Tous droits réservés. Toute reproduction de ces dessins sans l'autorisation écrite de Refplus inc. est strictement interdite. Refplus inc., ses filiales et représentants ne peuvent en aucun cas être tenus responsables pour tout dommage découlant de toute erreur ou omission dans les dessins, ou tout dommage relié aux dessins ou à l'utilisation de ceux-ci par votre compagnie, ses filiales ou ses représentants.

Copyright © 2012 Refplus inc. All rights reserved. Any reproduction, in whole or in part, of these drawings is strictly prohibited without the written consent of Refplus inc. Refplus inc., its affiliates and representatives expressly disclaim any and all liability based on or relating to these drawings, or errors or omissions in same, or based on the use of these drawings by you, your affiliates or representatives.

Note:

À moins d'avis contraire, les dimensions sont en pouces / Unless otherwise specified, dimensions are in inches.
Tolérances / Tolerances
Frac: ±1/8 Dec: --- Ang: ± 2°
Non à l'échelle / Not to scale

Modèle / Model : IND.WALK-IN COOLER	
EJ (A, E, G, H) ZIEHL-ABEGG 2 FANS	
Par / By : MC	Date : 13/04/2016
Numéro Dessin / Drawing Number	Rev. A



RefPlus Inc.
 2777, Grande-Allée
 St-Hubert, (QC), J4T 2R4
 Tél : (450) 641-2665
 Fax : (450) 641-4554

Quote #	Item #
160635-A	25

To :

FES Ohio
 Attn : Joe Rubino
 1725 Washington Road- Suite 302
 Pittsburgh, PA USA
 15241

Informations :

Project Name : Warabeya Ohio Commissary - All Bidding Contractors
Created : 04/19/2024
Created By : Joe Rubino
Last Change : 04/19/2024
Last Change By : Joe Rubino
Tel. : 412 595-8571 Ext. :
Cell : 412-580-5825
Fax :
E-mail :

jrubino@fesohio.com

ITEM #	TAG	DESCRIPTION	QTY	UNIT PRICE	TOTAL PRICE
25	Room # 177	EQA-23600-9W	8		

Total Capacity 101.52 mbh
 Sensible Capacity 97.92 mbh
 Main Voltage 480/3/60
 Cooling Mode
 FPI 4

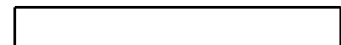
OPTIONS

Circuits - Custom 8
 Defrost type - Air defrost 8
 Electronic commutated motor - Variable 0-10V (controlled by other) 8
 Air Throw - Standard 8
 Casing finish - Standard 8

ADDITIONAL ITEMS

Controller for EEV/TXV - Refplus Guardian+ factory installed 8

This quote is valid for 30 days. Prices are net. All applicable taxes extra.
 F.O.B plant in St-Hubert, Québec , Canada





RefPlus Inc.
 2777, Grande-Allée
 St-Hubert, (QC), J4T 2R4
 Tél : (450) 641-2665
 Fax : (450) 641-4554

Quote #	Item #
160635-A	25

EQA-23600-9W

Tag : Room # 177

General Informations

Heat Exchange Mode :	Cooling Mode	Row :	6	
Model Status :	Standard Catalog	Fins Per Inch :	4	
Entering Dry Bulb :	36.0 °F	Internal Volume :	3.01	Ft³
Entering Wet Bulb :	34.0 °F	Fluid Volume :	22.52	gal
Entering Liquid Temp :	26.0 °F	Unit Estimated Weight :	1,705.00	lbs
USGPM :	43.00	Options Added Weight :	0.00	lbs
Max Pressure Drop :	20 PSI	Total Estimated Weight :	1,705.00	lbs
Altitude :	0 Ft	Fluid Type :	Propylene Glycol (built in)	
Unit Type :	Large industrial walk-in with Ziehl	Concentration :	30.00	%
	Abegg			
Defrost Type :	Air defrost			

Fan(s) Data

Fan Arrangement :	1 X 3	
Fan Motor Total FLA :	9.60	A
Opt. Fan Motor Qty :	3	

Motor Speed For Selection :	High Speed
Opt. Fan Motor Type :	ECM 0-10V
Opt. Fan Motor HP (HS) :	3.20 hp
Opt. Fan Motor RPM (HS) :	950 RPM
Opt. Fan Motor FLA (HS) :	3.20 A

Coil(s) Data

Fins Per Inch :	4 FPI	Fin Material :	Aluminium
Coil Quantity :	1	Fin Pattern :	F
Connection(s) Quantity :	1	Connection Size In :	2" ø MPT
Circuit Quantity :	30	Connection Size Out :	2" ø MPT

Heater(s) Data

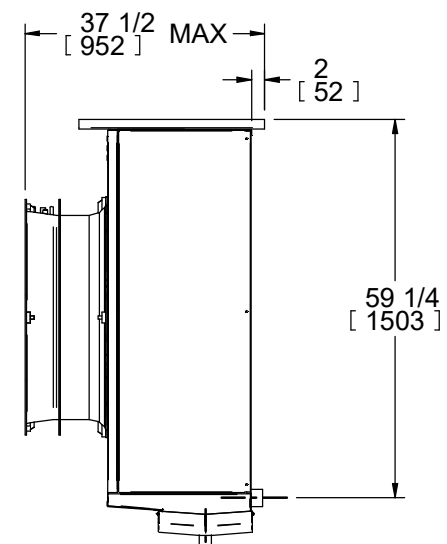
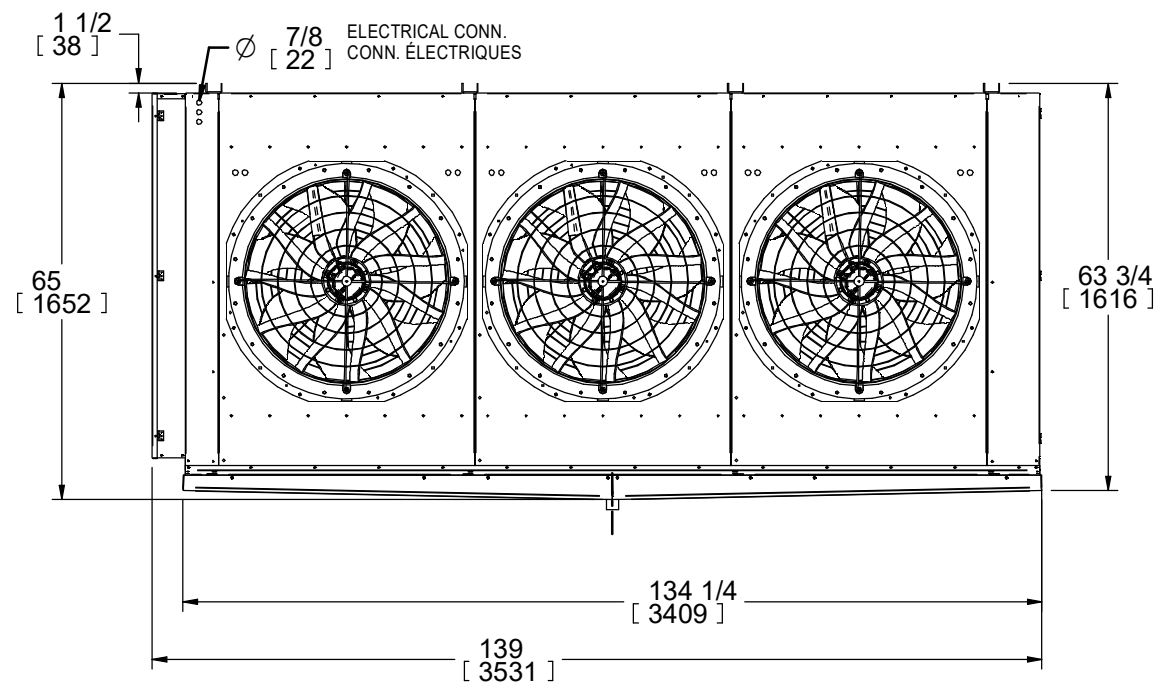
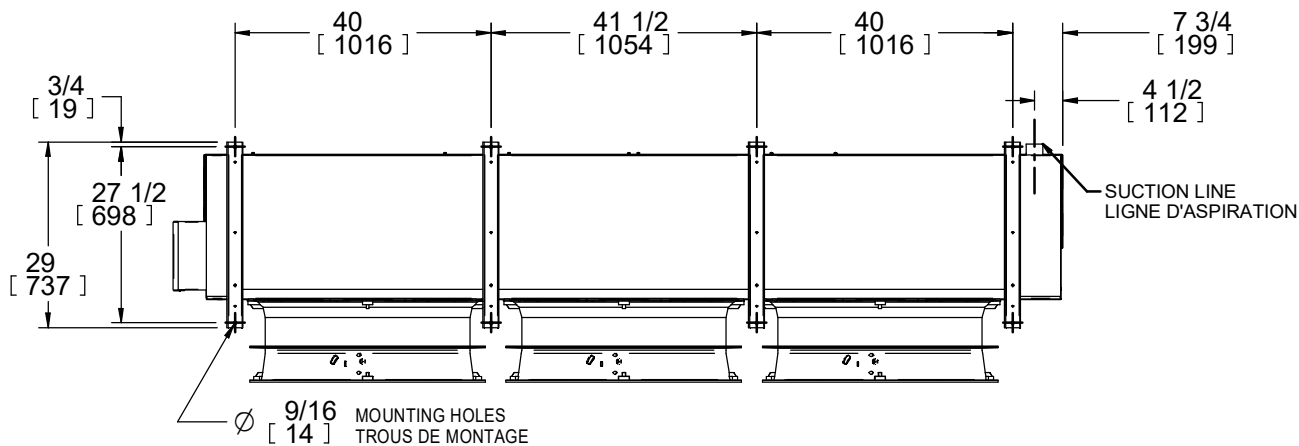
Heater Quantity In Coil :	0	Heater FLA :	0.00	A
Heater Quantity In Drain Pan :	0	Heater Total Power (Kw) :	0.00	Kw

Outputs

AIR SIDE		LIQUID SIDE	
Total Heat :	101.522 mbh	Leaving Liquid Temp :	30.9 °F
Sensible Heat :	97.917 mbh	GPM :	43.0
Latent Heat :	3.605 mbh	Liquid Velocity :	2.4 ft/sec
Leaving Dry Bulb :	32.6 °F	Liquid Pressure Drop :	6.68 PSI 15.41 Ft(H2O)
Leaving Wet Bulb :	31.9 °F	Coil Face Area :	50.00 Sq. Ft

Electrical Summary Data

Unit Voltage :	480/3/60	V	Fan Motor & Ctrl MCA :	10.40	A
Heater MCA :	0.00	A	Fan Motor & Ctrl MOP :	15.00	A
Heater MOP :	0	A			
Control Voltage :	240/1/60	V			



DRAIN FITTING 1/4 FPT S/S / RACCORD DE DRAINAGE [31]

C	03/31/2023	MN	MISE À JOUR
B	08/01/2020	OBH	AGRANDIR LA BOÎTE ÉLECTRIQUE
A	12/12/2019	OBH	TRANSITION VERS SOLIDEDGE
Rev.	Date	Par/By	Description



2777, Grande-Allée
 St-Hubert, Québec
 CANADA, J4T 2R4
 Tel: (450) 641-2665
 Fax: (450) 923-5210
 www.refplus.com

Copyright © 2012 Refplus inc. Tous droits réservés. Toute reproduction de ces dessins sans l'autorisation écrite de Refplus inc. est strictement interdite. Refplus inc., ses filiales et représentants ne peuvent en aucun cas être tenus responsables pour tout dommage découlant de toute erreur ou omission dans les dessins, ou tout dommage relié aux dessins ou à l'utilisation de ceux-ci par votre compagnie, ses filiales ou ses représentants.

Copyright © 2012 Refplus inc. All rights reserved. Any reproduction, in whole or in part, of these drawings is strictly prohibited without the written consent of Refplus inc. Refplus inc., its affiliates and representatives expressly disclaim any and all liability based on or relating to these drawings, or errors or omissions in same, or based on the use of these drawings by you, your affiliates or representatives.

Note:

À moins d'avis contraire, les dimensions sont en pouces / Unless otherwise specified, dimensions are in inches.

Tolérances / Tolerances

Frac: ±1/8 Dec: ---- Ang: ± 2°

Non à l'échelle / Not to scale

Modèle / Model : IND. WALK-IN COOLER
 EQ (A, E, G, HI - EX IA, E, G, HI 3 FANS

Par / By : MC Date : 02/05/2016

Numéro Dessin / Drawing Number
 EQ10003

Rev.
 C



RefPlus Inc.
 2777, Grande-Allée
 St-Hubert, (QC), J4T 2R4
 Tél : (450) 641-2665
 Fax : (450) 641-4554

Quote #	Item #
160635-A	26

To :

FES Ohio
 Attn : Joe Rubino
 1725 Washington Road- Suite 302
 Pittsburgh, PA USA
 15241

Informations :

Project Name : Warabeya Ohio Commissary - All Bidding Contractors
Created : 04/19/2024
Created By : Joe Rubino
Last Change : 04/19/2024
Last Change By : Joe Rubino
Tel. : 412 595-8571 Ext. :
Cell : 412-580-5825
Fax :
E-mail :

jrubino@fesohio.com

ITEM #	TAG	DESCRIPTION	QTY	UNIT PRICE	TOTAL PRICE
26	Room # 180	EJA-03700L-9W	3		

Total Capacity 116.15 mbh
 Sensible Capacity 62.62 mbh
 Main Voltage 480/3/60
 Cooling Mode
 FPI 4

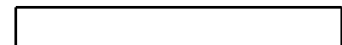
OPTIONS

Circuits - Custom 3
 Defrost type - Air defrost 3
 Motors speed - Standard low speed 3
 Air Throw - Standard 3
 Casing finish - Standard 3

ADDITIONAL ITEMS

Controller for EEV/TXV - Refplus Guardian+ factory installed 3

This quote is valid for 30 days. Prices are net. All applicable taxes extra.
 F.O.B plant in St-Hubert, Québec , Canada





RefPlus Inc.
 2777, Grande-Allée
 St-Hubert, (QC), J4T 2R4
 Tél : (450) 641-2665
 Fax : (450) 641-4554

Quote #	Item #
160635-A	26

EJA-03700L-9W

Tag : Room # 180

General Informations

Heat Exchange Mode :	Cooling Mode	Row :	6	
Model Status :	Standard Catalog	Fins Per Inch :	4	
Entering Dry Bulb :	65.0 °F	Internal Volume :	0.54	Ft³
Entering Wet Bulb :	60.0 °F	Fluid Volume :	4.05	gal
Entering Liquid Temp :	26.0 °F	Unit Estimated Weight :	405.00	lbs
USGPM :	49.00	Options Added Weight :	0.00	lbs
Max Pressure Drop :	20 PSI	Total Estimated Weight :	405.00	lbs
Altitude :	0 Ft	Fluid Type :	Propylene Glycol (built in)	
Unit Type :	Medium industrial walk-in with Ziehl	Concentration :	30.00	%
	Abegg			
Defrost Type :	Air defrost			

Fan(s) Data

Fan Motor Type :	Two Speeds	Fan Arrangement :	1 X 1	
Fan Motor HP :	0.37 HP	Fan Motor Total FLA :	1.00	A
Fan Motor RPM :	1090 RPM			
Fan Motor FLA :	1.00 A			
Motor Speed For Selection :	Low Speed			

Coil(s) Data

Fins Per Inch :	4 FPI	Fin Material :	Aluminium	
Coil Quantity :	1	Fin Pattern :	F	
Connection(s) Quantity :	1	Connection Size In :	2" ø MPT	
Circuit Quantity :	30	Connection Size Out :	2" ø MPT	

Heater(s) Data

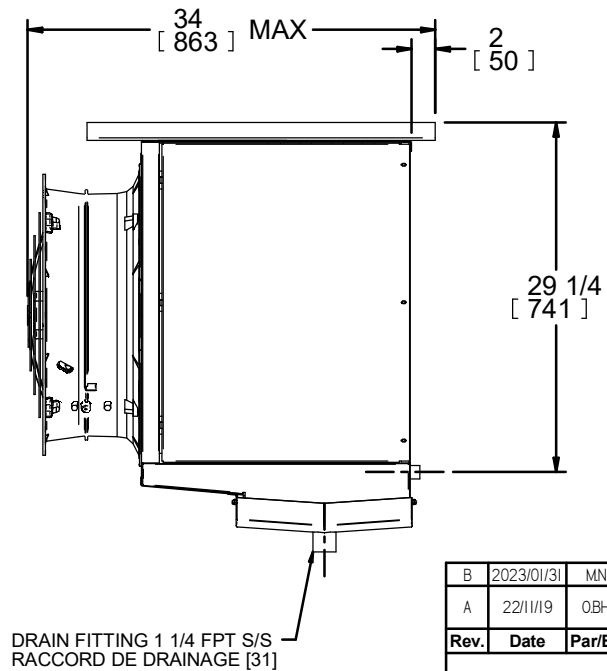
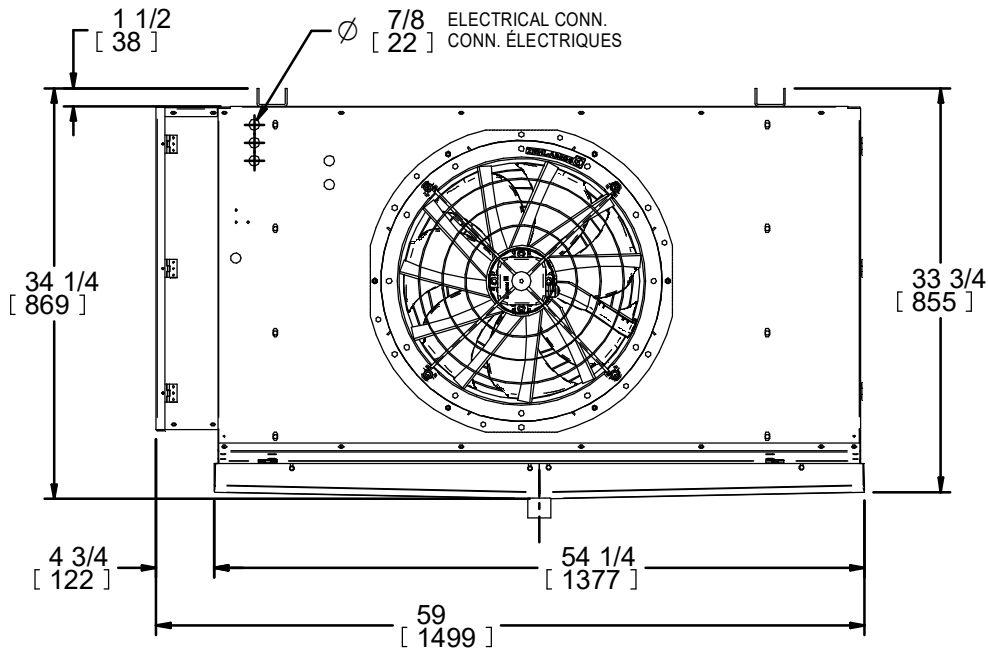
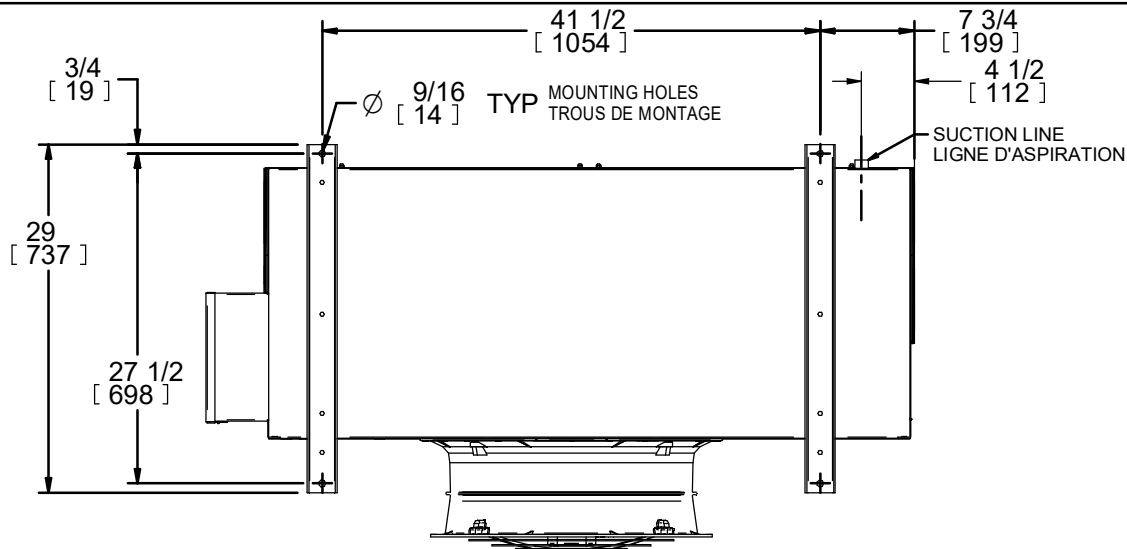
Heater Quantity In Coil :	0	Heater FLA :	0.00	A
Heater Quantity In Drain Pan :	0	Heater Total Power (Kw) :	0.00	Kw

Outputs

AIR SIDE			LIQUID SIDE		
Total Heat :	116.147	mbh	Leaving Liquid Temp :	31.0	°F
Sensible Heat :	62.619	mbh	GPM :	49.0	
Latent Heat :	53.528	mbh	Liquid Velocity :	2.8	ft/sec
Leaving Dry Bulb :	49.6	°F	Liquid Pressure Drop :	3.13 PSI	7.22 Ft(H2O)
Leaving Wet Bulb :	48.7	°F	Coil Face Area :	8.33	Sq. Ft

Electrical Summary Data

Unit Voltage :	480/3/60	V	Fan Motor & Ctrl MCA :	1.25	A
Heater MCA :	0.00	A	Fan Motor & Ctrl MOP :	15.00	A
Heater MOP :	0	A			
Control Voltage :	240/1/60	V			



B	2023/01/31	MN	MISE À JOUR
A	22/11/19	OBH	CHANGEMENT DRAIN PAN DOUBLE PENTE & TRANSITION VERS SOLIDEDGE
Rev.	Date	Par/By	Description



2777, Grande-Allée
 St-Hubert, Québec
 CANADA, J4T 2R4
 Tel: (450) 641-2665
 Fax: (450) 923-5210
 www.refplus.com

Copyright © 2012 Refplus inc. Tous droits réservés. Toute reproduction de ces dessins sans l'autorisation écrite de Refplus inc. est strictement interdite. Refplus inc., ses filiales et représentants ne peuvent en aucun cas être tenus responsables pour tout dommage découlant de toute erreur ou omission dans les dessins, ou tout dommage relié aux dessins ou à l'utilisation de ceux-ci par votre compagnie, ses filiales ou ses représentants.

Copyright © 2012 Refplus inc. All rights reserved. Any reproduction, in whole or in part, of these drawings is strictly prohibited without the written consent of Refplus inc. Refplus inc., its affiliates and representatives expressly disclaim any and all liability based on or relating to these drawings, or errors or omissions in same, or based on the use of these drawings by you, your affiliates or representatives.

Note:

À moins d'avis contraire, les dimensions sont en pouces / Unless otherwise specified, dimensions are in inches.
 Tolérances / Tolerances
 Frac: ±1/8 Dec: --- Ang: ± 2°
 Non à l'échelle / Not to scale

Modèle / Model : IND. WALK-IN COOLER	
EJ IA, E, G, HI - ZIEHL ABEGG I FAN	
Par / By : MC	Date : 13/04/2016
Numéro Dessin / Drawing Number	Rev. B



RefPlus Inc.
 2777, Grande-Allée
 St-Hubert, (QC), J4T 2R4
 Tél : (450) 641-2665
 Fax : (450) 641-4554

Quote #	Item #
160635-A	27

To :

FES Ohio
 Attn : Joe Rubino
 1725 Washington Road- Suite 302
 Pittsburgh, PA USA
 15241

Informations :

Project Name : Warabeya Ohio Commissary - All Bidding Contractors
Created : 04/19/2024
Created By : Joe Rubino
Last Change : 04/19/2024
Last Change By : Joe Rubino
Tel. : 412 595-8571 Ext. :
Cell : 412-580-5825
Fax :
E-mail :

jrubino@fesohio.com

ITEM #	TAG	DESCRIPTION	QTY	UNIT PRICE	TOTAL PRICE
27	Room # 174, 182	EQA-23600-9W	3		

Total Capacity 86.52 mbh
 Sensible Capacity 82.19 mbh
 Main Voltage 480/3/60
 Cooling Mode
 FPI 4

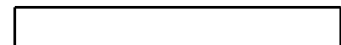
OPTIONS

Circuits - Custom 3
 Defrost type - Air defrost 3
 Motors speed - Standard high speed 3
 Air Throw - Standard 3
 Casing finish - Standard 3

ADDITIONAL ITEMS

Controller for EEV/TXV - Refplus Guardian+ factory installed 3

This quote is valid for 30 days. Prices are net. All applicable taxes extra.
 F.O.B plant in St-Hubert, Québec , Canada





RefPlus Inc.
 2777, Grande-Allée
 St-Hubert, (QC), J4T 2R4
 Tél : (450) 641-2665
 Fax : (450) 641-4554

Quote #	Item #
160635-A	27

EQA-23600-9W

Tag : Room # 174, 182

General Informations

Heat Exchange Mode :	Cooling Mode	Row :	6
Model Status :	Standard Catalog	Fins Per Inch :	4
Entering Dry Bulb :	36.0 °F	Internal Volume :	3.01 Ft³
Entering Wet Bulb :	34.0 °F	Fluid Volume :	22.52 gal
Entering Liquid Temp :	26.0 °F	Unit Estimated Weight :	1,705.00 lbs
USGPM :	38.00	Options Added Weight :	0.00 lbs
Max Pressure Drop :	20 PSI	Total Estimated Weight :	1,705.00 lbs
Altitude :	0 Ft	Fluid Type :	Propylene Glycol (built in)
Unit Type :	Large industrial walk-in with Ziehl Abegg	Concentration :	30.00 %
Defrost Type :	Air defrost		

Fan(s) Data

Fan Motor Type :	Two Speeds	Fan Arrangement :	1 X 3
Fan Motor HP :	1.25 HP	Fan Motor Total FLA :	7.50 A
Fan Motor RPM :	730 RPM		
Fan Motor FLA :	2.50 A		
Motor Speed For Selection :	High Speed		

Coil(s) Data

Fins Per Inch :	4 FPI	Fin Material :	Aluminium
Coil Quantity :	1	Fin Pattern :	F
Connection(s) Quantity :	1	Connection Size In :	1.5" ø MPT
Circuit Quantity :	30	Connection Size Out :	1.5" ø MPT

Heater(s) Data

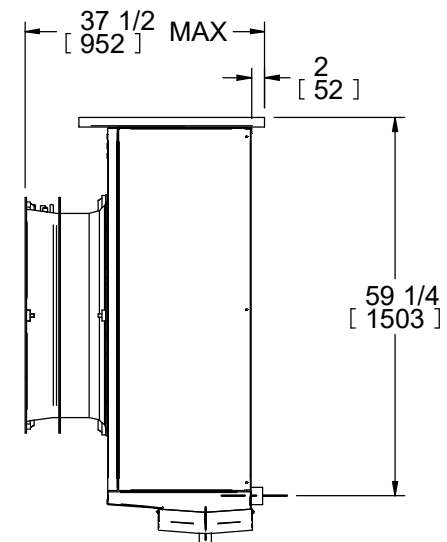
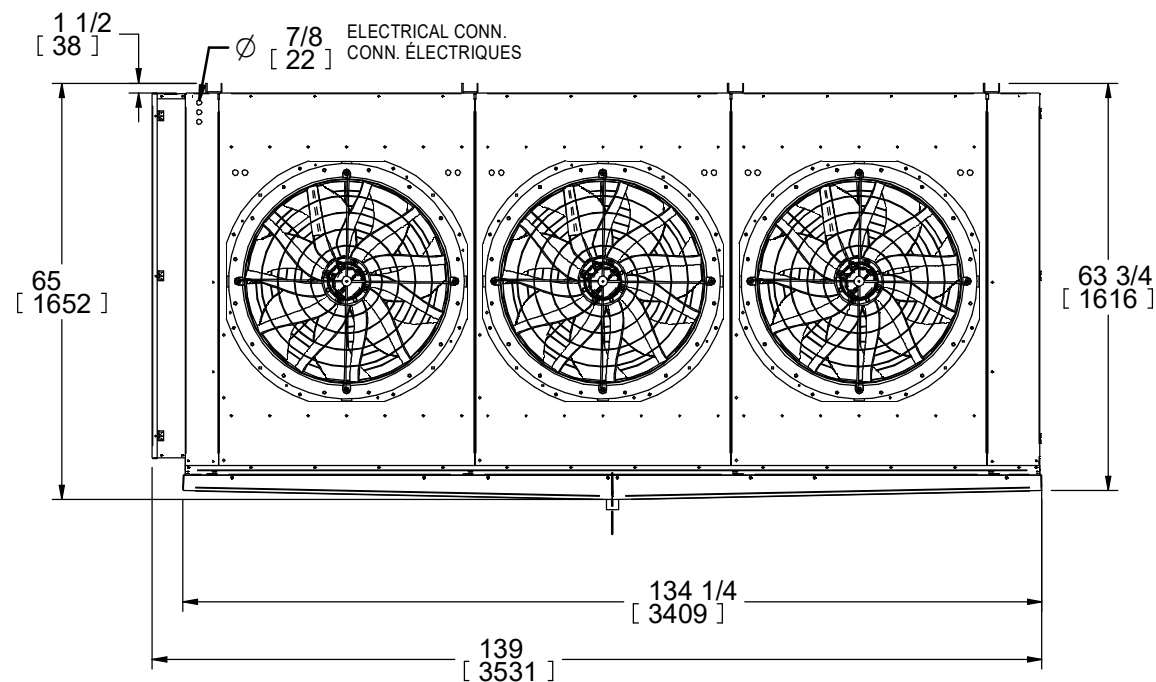
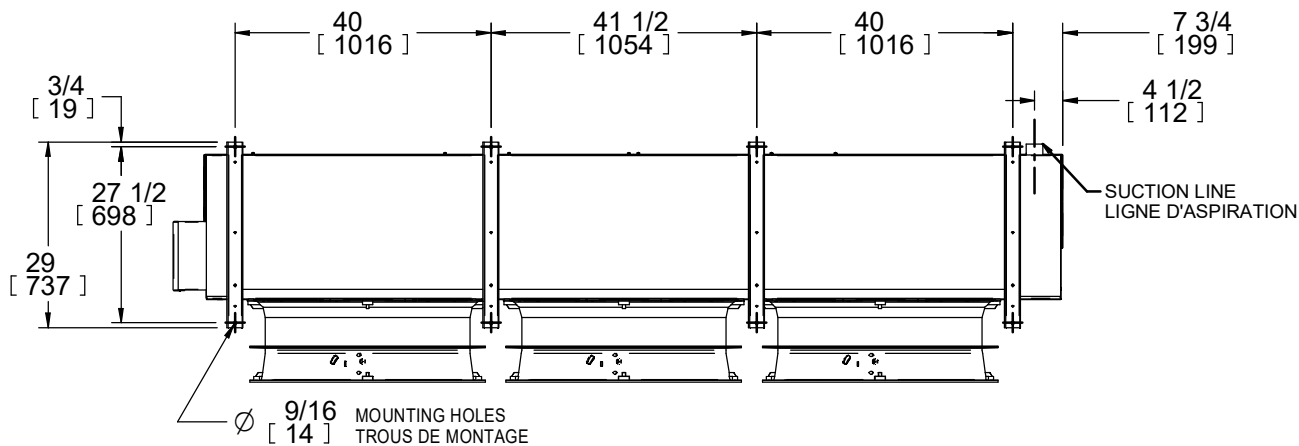
Heater Quantity In Coil :	0	Heater FLA :	0.00 A
Heater Quantity In Drain Pan :	0	Heater Total Power (Kw) :	0.00 Kw

Outputs

AIR SIDE		LIQUID SIDE	
Total Heat :	86.519 mbh	Leaving Liquid Temp :	30.8 °F
Sensible Heat :	82.193 mbh	GPM :	38.0
Latent Heat :	4.326 mbh	Liquid Velocity :	2.2 ft/sec
Leaving Dry Bulb :	33.2 °F	Liquid Pressure Drop :	6.90 PSI 15.92 Ft(H2O)
Leaving Wet Bulb :	32.2 °F	Coil Face Area :	50.00 Sq. Ft

Electrical Summary Data

Unit Voltage :	480/3/60	V	Fan Motor & Ctrl MCA :	8.13	A
Heater MCA :	0.00	A	Fan Motor & Ctrl MOP :	15.00	A
Heater MOP :	0	A			
Control Voltage :	240/1/60	V			



C	03/31/2023	MN	MISE À JOUR
B	08/01/2020	OBH	AGRANDIR LA BOÎTE ÉLECTRIQUE
A	12/12/2019	OBH	TRANSITION VERS SOLIDEDGE
Rev.	Date	Par/By	Description



2777, Grande-Allée
St-Hubert, Québec
CANADA, J4T 2R4
Tel: (450) 641-2665
Fax: (450) 923-5210
www.refplus.com

Copyright © 2012 Refplus inc. Tous droits réservés. Toute reproduction de ces dessins sans l'autorisation écrite de Refplus inc. est strictement interdite. Refplus inc., ses filiales et représentants ne peuvent en aucun cas être tenus responsables pour tout dommage découlant de toute erreur ou omission dans les dessins, ou tout dommage relié aux dessins ou à l'utilisation de ceux-ci par votre compagnie, ses filiales ou ses représentants.

Copyright © 2012 Refplus inc. All rights reserved. Any reproduction, in whole or in part, of these drawings is strictly prohibited without the written consent of Refplus inc. Refplus inc., its affiliates and representatives expressly disclaim any and all liability based on or relating to these drawings, or errors or omissions in same, or based on the use of these drawings by you, your affiliates or representatives.

Note:

À moins d'avis contraire, les dimensions sont en pouces / Unless otherwise specified, dimensions are in inches.

Tolérances / Tolerances

Frac: ±1/8 Dec: --- Ang: ± 2°

Non à l'échelle / Not to scale

Modèle / Model : IND. WALK-IN COOLER	
EQ (A, E, G, HI - EX IA, E, G, HI 3 FANS	
Par / By : MC	Date : 02/05/2016
Número Dessin / Drawing Number	Rev.
EQ10003	C



TERMS AND CONDITIONS OF SALE GENERAL WARRANTY / CLAIMS PROCEDURES

These Terms and Conditions of Sale and the General Warranty outline below (“Agreement”) shall apply to any goods and services (“Goods”) supplied by RefPlus Inc. (“Seller”) to the commercial customer (“Buyer”) and become integral part of all such current and future contracts between Seller and Customer, even where they are not specifically agreed again. The customer (“Buyer”) shall be deemed to have full knowledge of this Agreement. The foregoing express warranties or those set forth elsewhere on this document are the only warranties of Seller applicable to the product(s) sold under this contract.

GENERAL WARRANTY

Seller warrants that the equipment manufactured by the Seller, including service parts, and sold under this contract shall be free from defects in material and workmanship for a period of twelve (12) months from the date of equipment start-up or eighteen (18) months from the date of shipment, whichever occurs first. Ziehl-Abegg fan assemblies are warranted against defects in materials and workmanship for a period of twenty-four (24) months from the date of equipment start-up or thirty (30) months from the date of shipment, whichever occurs first.

Written notice of a defect in material and workmanship shall be sent to Seller immediately upon discovery by Buyer. Defective parts shall be repaired or replaced provided that inspection by Seller verifies the claimed defect(s). The Seller’s obligation under this warranty is limited solely to the repair or replacement, at Seller’s options, of any part or parts thereof which shall disclose to the Seller’s satisfaction to have been defective under normal use and service. This shall be the Buyer’s exclusive remedy. All other warranties, whether verbal or written, and all warranties implied by law, including any warranties of merchantability or fitness for a particular purpose, are hereby excluded. No representative or agent of Seller is authorized to modify or expand the express warranties of Seller. Repairs made without the prior written approval of Seller shall void all warranties covering material and workmanship. Seller shall not be liable for any direct, indirect incidental, consequential, or other form of loss, injury, damage, cost, or expense, whether caused by delay, failure, or performance, breach of warranty, or by any cause whatsoever. Failure on the part of Buyer or of other parties to properly maintain the product(s) sold under this contract, or the operation of such product(s), by Buyer and/or other parties under conditions more severe than those for which such product(s) were designed shall void all warranties covering materials and workmanship. Warranty is void if product is used or operated on low or improper voltages or in a manner contrary to the instructions covering the installation, use and maintenance which accompanies such product. Seller’s obligation under this warranty shall be void if Buyer fails without legal justification to pay Seller, when due, the full purchase price for the equipment sold hereunder. Buyer assumes liability for and shall bear the costs of compliance with all laws, regulations, codes standards or ordinances applicable to the location, operation and maintenance of the product(s) sold under this contract. This warranty applies only to the original purchaser of the equipment and does not extend, expressly or by implication, to the third parties or others without the specific written approval and acknowledgment of Seller.

PROOF OF START-UP:

Start-up report form shall be filled, signed by Buyer, and received by Seller at the time of installation of a complete unit in order to establish the effective date of the warranty and prove industry best practices were complied with flawlessly for the installation of the equipment. This will also demonstrate that proper start-up procedures found in the installation, operating and maintenance manual (IOM) supplied with the equipment were followed, failing which, the present warranty shall be null and void.

COMPRESSOR WARRANTY:

A compressor determined by Seller to have been defective within the warranty period shall be returned to the nearest authorized dealer of the compressor, without any additional implication from the seller. Compressor manufacturer/distributor shall honor the compressor limited warranty. No freight shall be allowed for transportation of the compressor to and from the compressor dealer. The replacement compressor shall be identical to the model being replaced. Additional charges, which may result from the replacement of another than identical compressor, are not covered by this warranty.

OPTIONAL EXTENDED WARRANTY ON COMPRESSORS:

The Seller offers an optional 4-year extended warranty on all its compressors. This warranty is subject to the above-stated warranty, is non-transferable and is only valid in Canada and the USA. A defective compressor shall remain in the possession of the Buyer and shall only be returned once authorized by Seller. The Seller reserves the right to request a failed compressor to be subject to a tear down analysis in order to identify the cause of the failure.

EXCLUSIONS:

This warranty does not cover the costs of removing, shipping, or reinstalling the equipment.

This warranty does not cover any leak that occurs at a threaded, mechanical joint (defined as flare joints, pipe thread joints or Rotolock joints). Because these joints can loosen during transport, it is the responsibility of the Buyer to check and retighten them upon arrival of the equipment or prior to charging the system.

This warranty does not cover normal wear and tear or the erosion, corrosion and/or deterioration of the product(s) from unusual causes.

This warranty does not cover the repair or replacement of any equipment which has been repaired or altered outside of the factory in any way.

This warranty does not cover equipment and parts which have been subject to negligence, misuse, or abuse, or to pressures in excess of stated limits.

This warranty does not apply to defects in product(s) for which payment in full has not been received by Seller.

No warranties by Seller shall apply to accessories supplied by others.

This warranty does not apply to the loss of food or any products or refrigerant due to an equipment failure or for any other reason.

This warranty does not apply if the start-up report form was not filled, signed, and presented and received by Seller by the Buyer at the time of installation.

REIMBURSEMENT TERMS FOR WARRANTY REPAIRS:

Reimbursement of Warranty repairs is subject to the following conditions:

- A. Maximum charges for refrigerant recovery are \$50.00 (currency to be determined according to the place of recovery) per system.
- B. Replacement components to be purchased locally require written preapproval by the Seller. The Seller will pay actual wholesaler costs. Invoices for these components must be included in the Warranty claim documentation.
- C. All Warranty claims must include the following:
 - a. Fully completed RefPlus Warranty claim worksheet, with unit serial number.
 - b. Service ticket for work performed.
 - c. Invoices for locally purchased components.

ORDERS:

Customer shall place an order in writing with reference to the Quotation ("Order"). The Order shall be considered as an offer to Seller to conclude a contract. The order received is subject to acceptance by the Seller. The Order will only be processed when all information necessary for Seller is received. Seller will issue an acknowledgement of order ("Order Confirmation") to conclude the contract. Order must identify the quantity, model and/or part number, applicable price, the requested delivery date, and the ship to information for goods being purchased. Orders may not be canceled or rescheduled without the Seller's approval and confirmation.

PRICES:

Seller reserves the right to change prices on Buyer's orders to those prices in effect at time of shipment. All prices for goods and services, whether specified in the Seller's price list, written quotation, or acknowledgment, are subject to change without notice. Unless otherwise expressly stated, all prices are exclusive of transportation and insurance costs, duties, and all taxes. Unless otherwise indicated, Seller's prices, proposals, and quotations are net cash (without deduction) plus taxes and shipping. Prices are contingent upon exigencies attributable to the COVID-19 or any future pandemic and may change without notice till the COVID-19 - or if the case may be any future pandemic - has been declared as ended, unless otherwise agreed to in writing. Weights in catalogs, price schedules, quotations, and acknowledgements of all orders are approximate and in no sense guaranteed.

TAXES:

Prices do not include Local, State, Provincial or Federal sales, use, excise, or similar taxes. Any such charges will be added to the invoice at the time of shipment. Any direct or excise tax which may now or hereafter be imposed by any governmental unit upon the manufacture, sale, or delivery of the goods covered by these terms and conditions may be added by Seller to the purchase price of such goods, and if so added, shall be paid by the Buyer.

PAYMENT:

Terms are net thirty (30) calendar days from the date of invoice without offset or deduction, upon credit approval by Seller. Orders are subject to prepayment unless payment terms are otherwise confirmed by Seller in writing. Payments shall be in US or Canadian currency to Seller's bank account. Any payment delay shall be subject to the current statutory interest rate for late payment with a minimum of 5%. Any Orders will be put on hold if there is any outstanding balance over 30 days on previous orders. A deposit may be required on special built-to-order equipment and cancellations of such orders will incur charges established by the factory.

TITLE OF GOODS:

Title to goods shall remain with Seller until invoice is paid in full.

DELIVERY:

Delivery date(s) are approximate and not guaranteed. Delivery shall be Ex-Works Seller's dock. Seller reserves the right to modify the delivery date(s) without notice.

ORDER CANCELLATION:

All cancellations must be approved by the Seller. Restocking charges will be determined based on whether the product is a stock versus non-stock item. A minimum restocking charge of twenty percent (20%) of the net price will apply.

RETURN GOODS:

No products shall be returned without Seller's written permission. All approved returns whether new and unused or for warranty consideration must be packaged in accordance with methods designed to handle the normal rigors of transportation and handling. Each item in a return must have an approved return authorization number (RMA#) clearly marked on the goods. Return transportation will be at the Buyers expense.

FORCE MAJEURE:

Neither party shall be liable for any delay or failure in performance (other than failure with respect to payment obligations) due to acts beyond their control including, but not limited to, acts of God, war, warlike conditions, blockade, embargoes, riots, governmental restriction, labor disturbances, resultant disruption in supplies, transportation or loading facilities, wrecks, epidemics, quarantine, fire, flood, earthquake, explosion, or any other causes beyond its reasonable control.

PRODUCT CHANGES:

Seller reserves the right to change specifications, design, and material in the interest of product improvement, without incurring obligation to the Buyer.