

HOOD INFORMATION – JOB#4821270

HOOD NO	TAG	MODEL	MANUFACTURER	LENGTH	MAX COOKING TEMP	TYPE	APPLIANCE DUTY	DESIGN CFM/FT	TOTAL EXH CFM	EXHAUST PLENUM RISER(S)						TOTAL SUPPLY CFM	HOOD CONSTRUCTION	HOOD CONFIG		
										WIDTH	LENG	HEIGHT	DIA	CFM	VEL			SP	END TO END	ROW
1	KHD1	5424 ND-2-PSP-F	CAPTIVEAIRE	8' 1"	600 DEG	I	HEAVY	185	1495			4'	12'	1495	1903	-0.457'	1290	430 SS WHERE EXPOSED	ALONE	ALONE

PATENT NUMBERS

AC-PSP (UNITED STATES) – US PATENT 7963830 B2.
 AC-PSP WALL (CANADA) – CA PATENT 2820509.
 AC-PSP ISLAND (CANADA) – CA PATENT 2520330.

HOOD INFORMATION

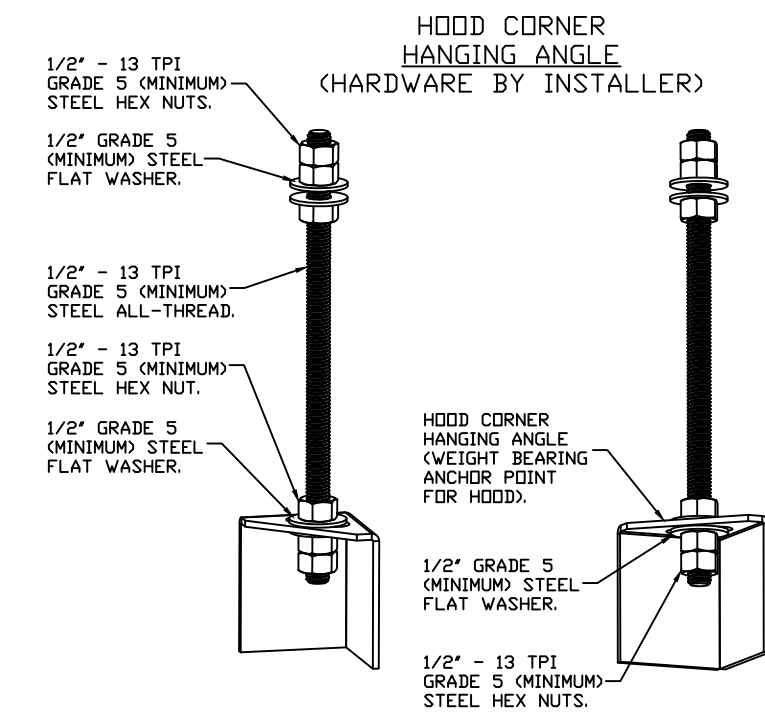
HOOD NO	TAG	FILTER(S)				LIGHT(S)				UTILITY CABINET(S)				FIRE SYSTEM	HOOD HANGING PIPING WEIGHT		
		TYPE	QTY	HEIGHT	LENGTH	EFFICIENCY @ 7 MICRONS	QTY	TYPE	WIRE GUARD	LOCATION	SIZE	TYPE	SIZE			ELECTRICAL	SWITCHES
1	KHD1	SS BAFFLE WITH HANDLES	6	16"	16"	30%	3	SCREW IN HALOGEN	NO	RIGHT	12"x54"x24"	CAS ELECTRIC WET CHEMICAL	4.0/4.0	SC-211110FP	1 LIGHT 1 FAN	YES	787 LBS

HOOD OPTIONS

HOOD NO	TAG	OPTION
1	KHD1	FIELD WRAPPER 17.00' HIGH FRONT, LEFT, RIGHT. BACKSPLASH 122.00' HIGH X 145.00' LONG 430 SS VERTICAL. RIGHT QUARTER END PANEL 23' TOP WIDTH, 0' BOTTOM WIDTH, 23' HIGH 430 SS. LEFT QUARTER END PANEL 23' TOP WIDTH, 0' BOTTOM WIDTH, 23' HIGH 430 SS. INSULATION FOR BACK OF HOOD. RISER SENSOR INSTALL 3IN DBL. SENSOR-CV.

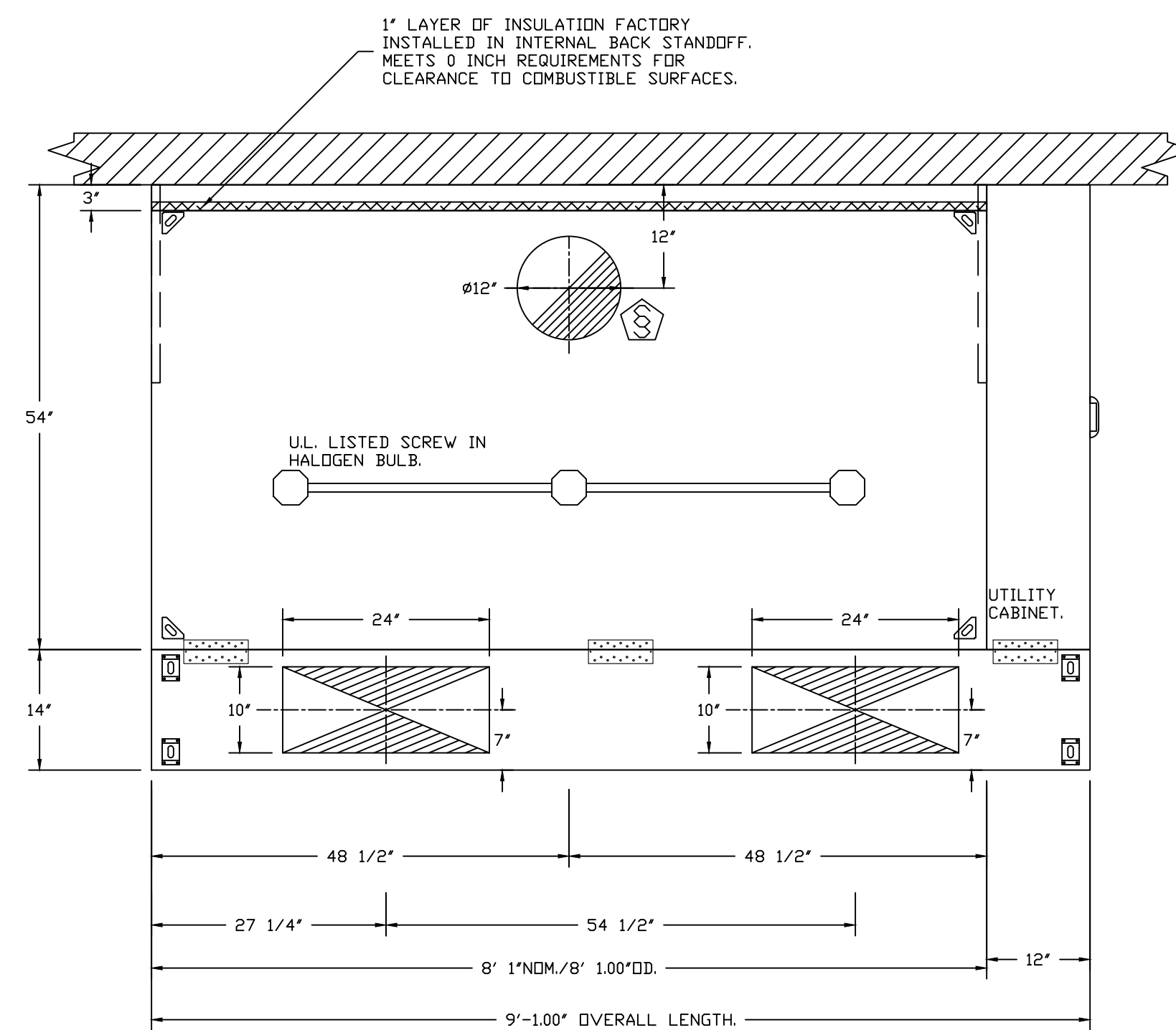
PERFORATED SUPPLY PLENUM(S)

HOOD NO	TAG	PDS	LENGTH	WIDTH	HEIGHT	TYPE	RISER(S)				
							WIDTH	LENG	DIA	CFM	SP
1	KHD1	Front	109'	14'	6'	MUA	10'	24'		645	0.191'
						MUA	10'	24'		645	0.191'

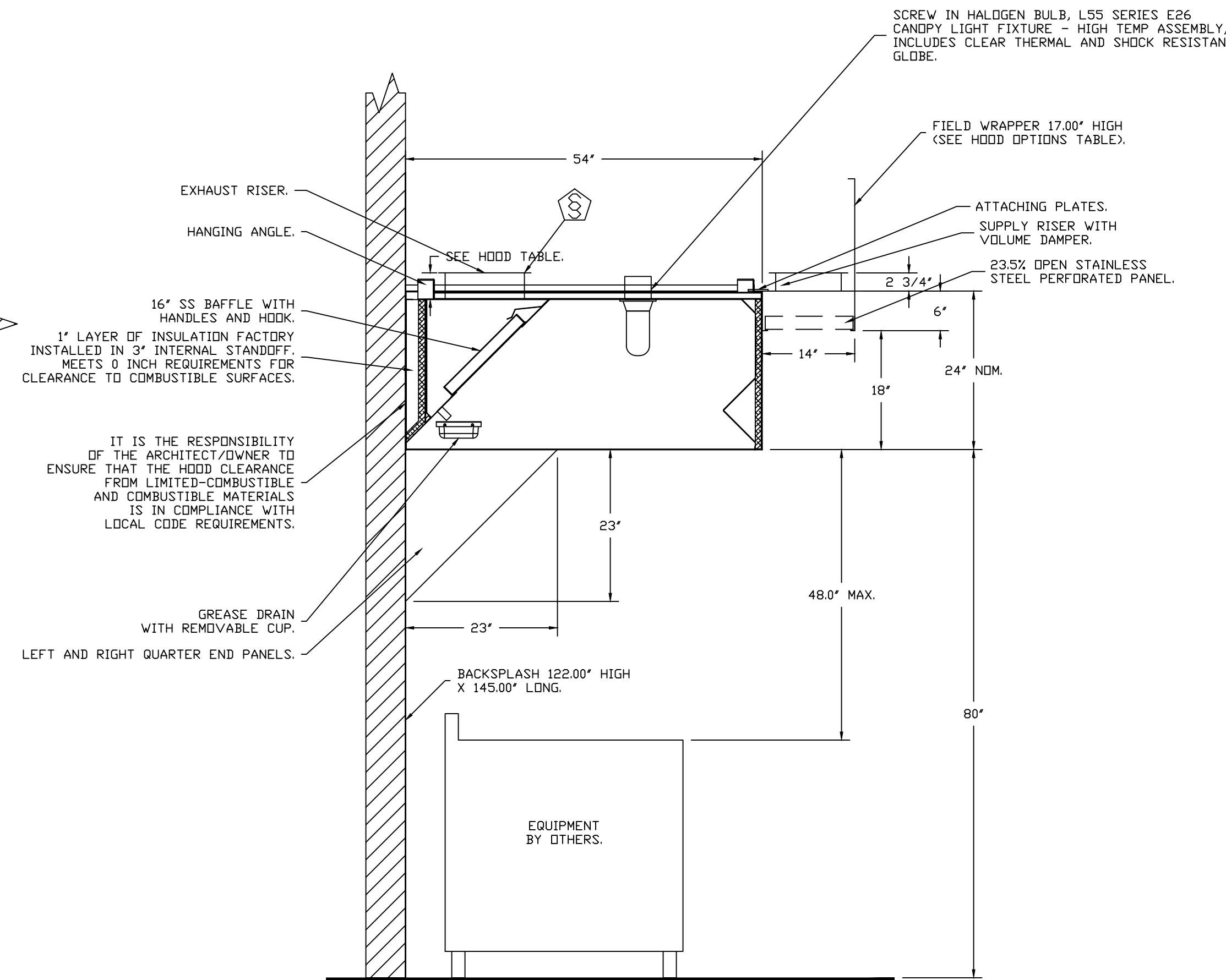


ASSEMBLY INSTRUCTIONS

HANGING ANGLE MUST BE SUPPORTED WITH 1/2" - 13 TPI GRADE 5 (MINIMUM) ALL-THREAD, SANDWICH HANGING ANGLES AND CEILING ANCHOR POINTS WITH 1/2" GRADE 5 (MINIMUM) STEEL FLAT WASHERS AND 1/2" - 13 TPI GRADE 5 (MINIMUM) HEX NUTS AS SHOWN. MUST USE DOUBLED HEX NUT CONFIGURATION BENEATH HOOD HANGING ANGLES AND ABOVE CEILING ANCHORS. MAINTAIN 1/4" OF EXPOSED THREADS BENEATH BOTTOM HEX NUT. TORQUE ALL HEX NUTS TO 57 FT-LBS.



PLAN VIEW – HOOD #1 (KHD1)
 8' 1.00" LONG 5424ND-2-PSP-F



SECTION VIEW – MODEL 5424ND-2-PSP-F
 HOOD – #1 (KHD1)

REVISIONS

DESCRIPTION	DATE

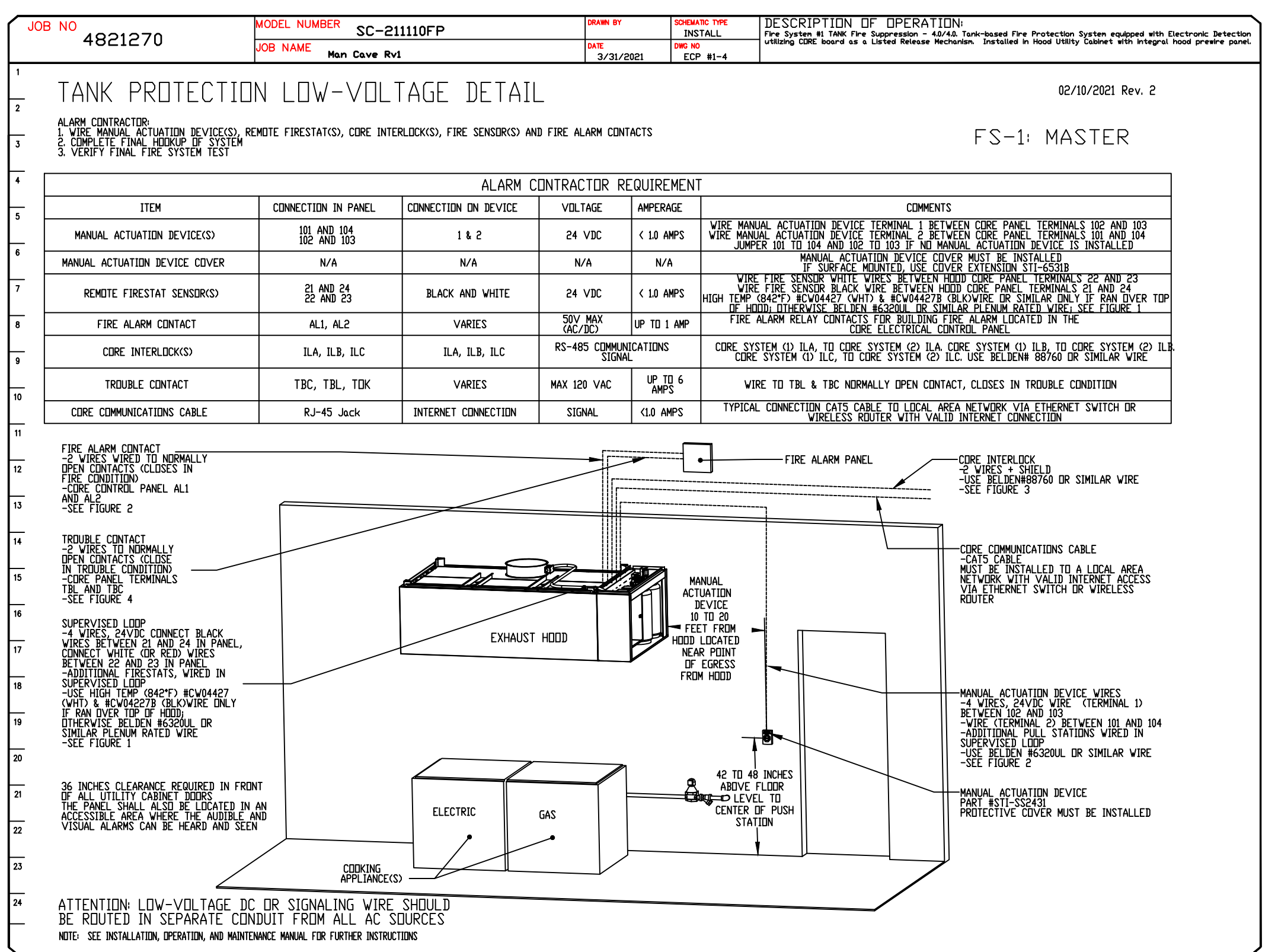
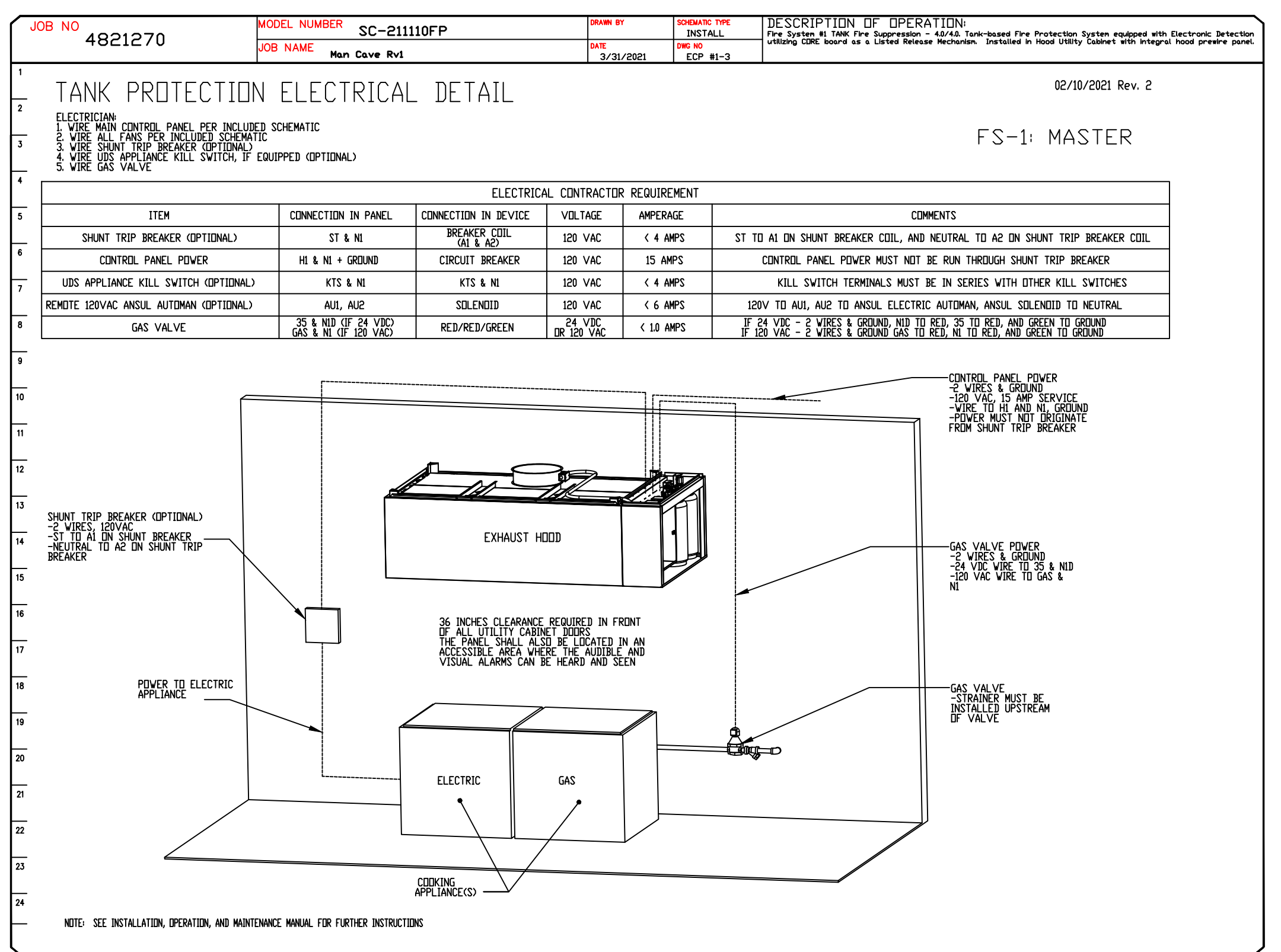
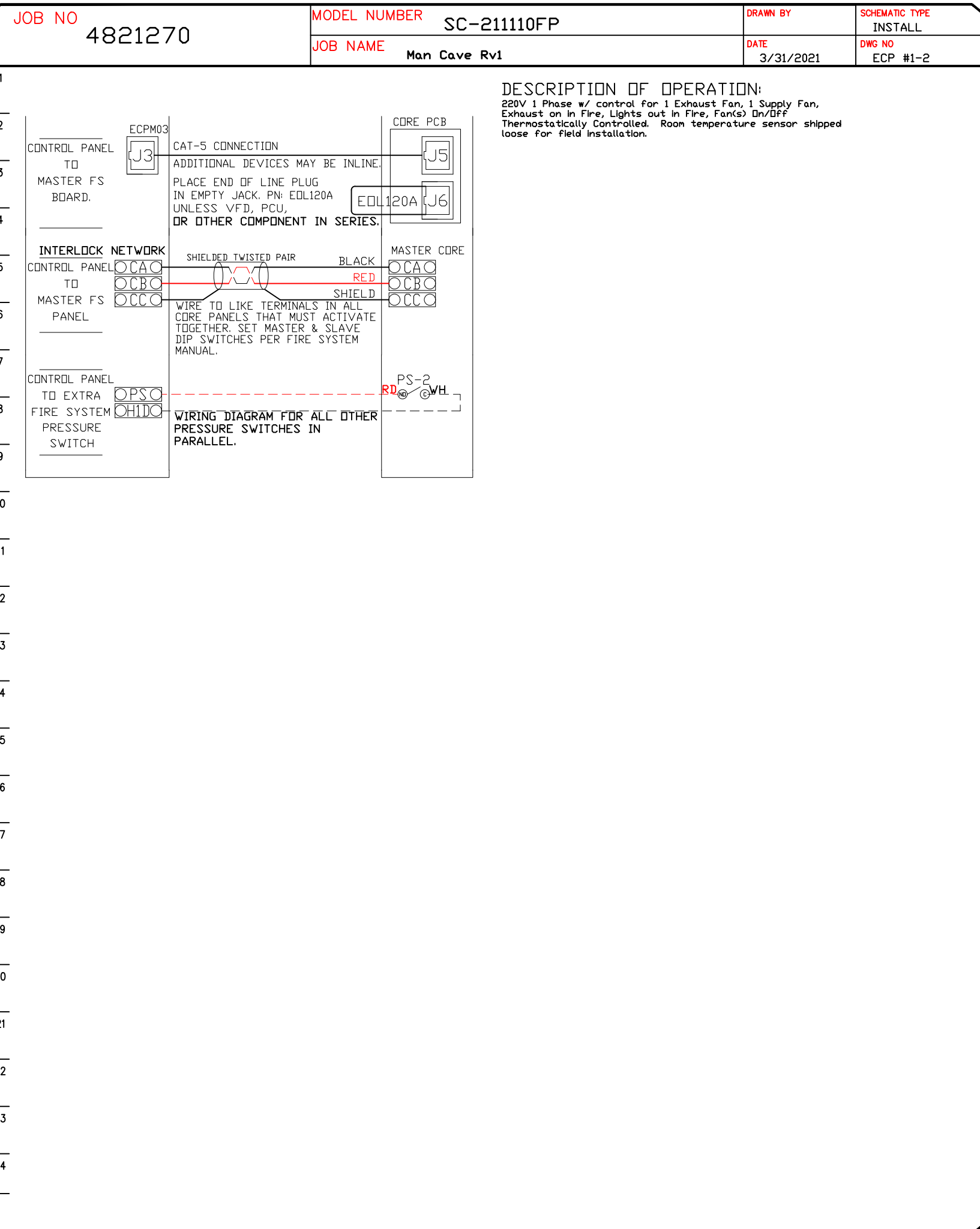
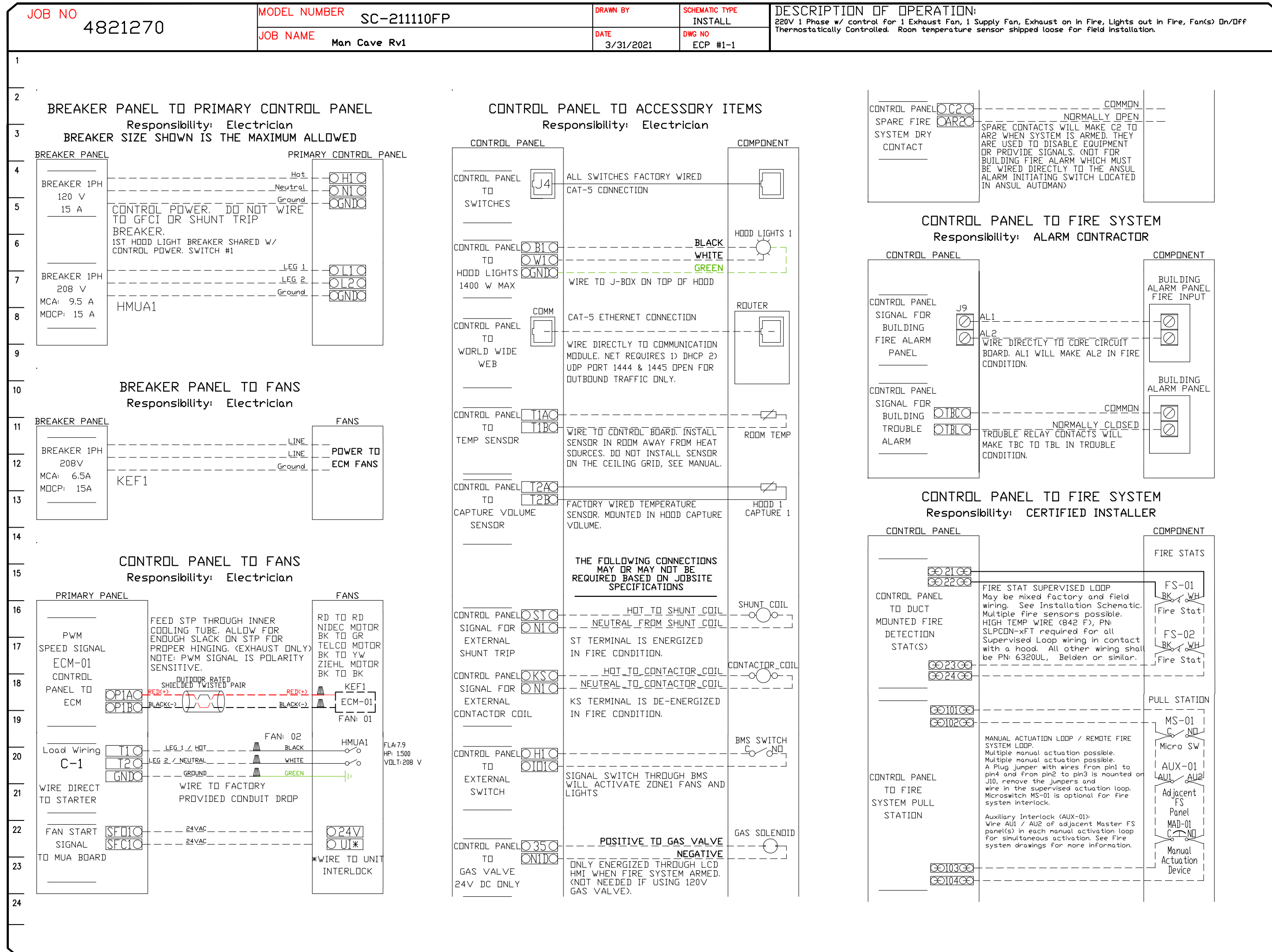
Air Solutions
 www.captiveaire.com
 1329 East Kemper Rd., Ste. 4210, Cincinnati, OH, 45246 PHONE: (513) 860-5555 EMAIL: req12@capitveaire.com

Man Cave Rv1
 SPRINGBORO, OH, 45066

DATE: 3/31/2021
DWG.#: 4821270
DRAWN BY: jcirilli
SCALE: 3/4" = 1'-0"
MASTER DRAWING

SHEET NO.
 1

NO	TAG	PACKAGE #	LOCATION	SWITCHES		OPTION	FANS CONTROLLED					
				LOCATION	QUANTITY		FAN TAG	TYPE	HP	VOLT	FLA	
1	EPI	SC-21110FP	UTILITY CABINET RIGHT	04 - UTILITY CABINET RIGHT HOOD # 1	1 LIGHT 1 FAN	SMART CONTROLS THERMOSTATIC CONTROL	KEF1	EXHAUST	1	0.750	208	5.2
							HMAU1	SUPPLY	1	1.500	208	6.7



REVISIONS

NO	DESCRIPTION	DATE
1		
2		
3		
4		

CAPTIVE

Air Solutions

1329 East Kemper Rd., Ste. 4210, Cincinnati, OH, 45216 PHONE: (513) 860-5555 EMAIL: reg12@captivair.com

Man Cave Rv1
SPRINGBORO, OH, 45066

DATE: 3/31/2021
DWG.#: 4821270
DRAWN BY: jcirilli
SCALE: 3/4" = 1'-0"
MASTER DRAWING

SHEET NO.
3

