

GAS FIRED ROOFTOP UNIT SCHEDULE																	
MARK	TONNAGE	AREA SERVED	COOLING CAPACITY (MBH)		HEATING CAPACITY (MBH)		FAN SECTION (CFM)			EXISTING MANUFACTURER/ MODEL	NEW MANUFACTURER/ MODEL	ARI RATINGS	PERCENTAGE OF OUTDOOR AIR	ELECTRICAL DATA VOLTAGE/PHASE/MCA/MOOP	REMARKS	APPROX. NET WEIGHT INCLUDING OPTIONS	
			TOTAL	SENS	INPUT	OUTPUT	STAGES	SUPPLY	O.A.								HP
EXISTING AC1	8.5	DINING B	-	-	-	-	3,000	750	-	-	LENNOX/LGH02H4	-	23.0%	208/3/60	-	12	-
NEW AC2	25.0	KITCHEN	294.5	226.6	480.0	394.0	2	8,000	1,500	10	10	LENNOX/LGH50S4	18.8%	208/3/60	142	150	123,456.789
EXISTING AC3	10.0	DRIVE-THRU/SERVING	-	-	-	-	4,700	1,500	-	-	LENNOX/LGH50S4	-	17.0%	208/3/60	-	12	-
EXISTING AC4	7.5	DINING A	-	-	-	-	1,800	420	-	-	LENNOX/LGH06044	-	17.0%	208/3/60	-	12	-

ALL NEW ROOFTOP UNITS SHALL INCLUDE A HUMIDITROL OPTION WITH FACTORY WALL MOUNTED HUMIDITY SENSOR.

- PROVIDE DIFFERENTIAL ENTHALPY ECONOMIZER WITH POWER EXHAUST.
- PROVIDE NEW 1/4" HIGH ROOF CURB.
- SEE DETAIL M42 FOR SETTING OF PROOBY M3 AND M-8 IMC BOARD CONTROLLECTO PARAMETERS BY MC.
- PROVIDE FACTORY INSTALLED AND UNIT POWERED REV 8/1 SERVICE OUTLET.
- PROVIDE FACTORY INSTALLED RETURN AND SUPPLY SMOKE DETECTOR.
- PROVIDE FACTORY INSTALLED NON-FUSED DISCONNECT.
- PROVIDE 2" MERV 8 THROW AWAY FILTERS.
- PROVIDE HINGED PANELS FOR FILTER ACCESS, FAN MOTOR ACCESS, COMPRESSOR ACCESS AND CONTROL COMPARTMENT ACCESS.
- ADJUST GAS MANIFOLD PRESSURE AT LOCATIONS WHERE ELEVATION EXCEEDS 2000' ABOVE SEA LEVEL AS RECOMMENDED BY MANUFACTURER.
- PROVIDE FACTORY COIL HAIL GUARD, FIELD INSTALLED.
- PROVIDE FACTORY INSTALLED BELT TENSIONER.
- EXISTING UNIT TO REMAIN.

- CONTRACTOR SHALL VERIFY EXACT ELECTRICAL CONNECTIONS, WIRE SIZES, BREAKERS, DISCONNECT, ETC. FOR THE NEW ROOFTOP UNITS PRIOR TO ORDERING AND BID.
- TEST AND BALANCE REPORT SHALL BE DONE PRIOR TO STORE TURNOVER AND SUBMITTED TO CFA'S CONSTRUCTION MANAGER AND TO ENGINEER OF RECORD.
- NEW HVAC EQUIPMENTS SHALL BE INSTALLED IN ACCORDANCE WITH THE MANUFACTURER'S INSTALLATION INSTRUCTIONS INCLUDING CLEARANCES, E SHALL MEET ALL LOCAL AND STATE CODE REQUIREMENTS. INSTRUCTIONS SHALL BE ON SITE AND AVAILABLE FOR ALL INSPECTIONS, SERVICE, REPAIR, OR REPLACEMENT.
- NEW ROOFTOP UNITS ONLY, MECHANICAL CONTRACTOR SHALL RELOCATE THE FACTORY INSTALLED SUPPLY SIDE SMOKE DETECTOR FROM THE BLOWER SECTION TO THE SUPPLY DUCT DROP ABOVE THE FIRST 90 DEGREE DUCT FITTING.
- NEW ROOFTOP UNITS ONLY, THE MECHANICAL CONTRACTOR SHALL SPLICE NEW PLENUM RATED CABLE BETWEEN THE FACTORY SMOKE DETECTOR AND THE FACTORY JACK PLUS, THE NEW WIRING SHALL BE ROUTED THRU THE ROOFTOP UNIT BASESPAN RACEWAY, SPLICES SHALL BE JOINED WITH CRIMP ON FITTINGS AND HEAT SHRINK JACKETS.

EXHAUST FAN SCHEDULE									
MARK	CFM	ESP	RPM	TIP SPEED (FPM)	HP	AREA SERVED	MODEL	MANUFACTURER	REMARKS
NEW EF-1	1462	.65	954	4164	1/2	HOOD#1	150V5B	LOREN COOK	123,45,6
NEW EF-2	701	.75	1238	4861	1/3	HOOD#2	150V4B	LOREN COOK	123,45,6
EXISTING EF-3	530	-	-	-	-	RESTROOMS	-	-	7
NEW EF-4	701	.75	1238	4861	1/3	HOOD#3	150V4B	LOREN COOK	123,45,6

NOTES

- GREASE EXHAUST FAN RPM BASED ON 80 DEGREE F AIR AT 1000 FEET ABOVE SEA LEVEL.
- GREASE EXHAUST FANS TO BE UL L763 LISTED.
- CHICK-FIL-A HAS A NATIONAL ACCOUNT WITH TOM BARRON COMPANY FOR THE FANVCLRB PACKAGE. THE MECHANICAL CONTRACTOR IS REQUIRED TO PURCHASE THE FANVCLRB PACKAGE DIRECTLY FROM TOM BARRON COMPANY. CONTACT MR. SCOTT GEORGE AT 404-354-1000 FOR PRICING AND AVAILABILITY. FANS AND CURBS NOT PURCHASED THRU TOM BARRON COMPANY WILL NOT BE ACCEPTED.

REMARKS

- PROVIDE FACTORY 1'-0" BASE CURB AND EXTENSION.
- PROVIDE FACTORY INSTALLED, PRE-WIRED, NEMA 3 NON-FUSED DISCONNECT.
- PROVIDE FACTORY INSTALLED HINGED BASE KIT.
- PROVIDE AND INSTALL ROOFTOP SOLUTIONS G2 DRIP GUARD. MECHANICAL CONTRACTOR TO CONTACT ROOFTOP SOLUTIONS AT 800-99-7034.
- PROVIDE FACTORY INSTALLED HELICAL SPRING AUTOMATIC BELT TENSIONER.
- INTEGRAL THERMAL OVERLOAD WITH AUTOMATIC RESET.
- EXISTING EXHAUST FAN TO REMAIN.

OUTDOOR AIR CALCULATION												
ROOM NUMBER & NAME	AREA SQ. FT.	NO. OF PEOPLE	REQD OA CFM/PERSON	REQD OA CFM/SQ FT	TOTAL OSA	REQD EXHAUST AIR PER FIXTURE	REQD OSA AC-1	REQD OSA AC-2	REQD OSA AC-3	REQD OSA AC-4		
DINING B	351	35	7.50	0.18	325.7		325.7					
MENS RR	123	0	0.00	0.00	0.0	50/70						
WOMENS RR	127	0	0.00	0.00	0.0	50/70						
RR VESTIBULE	59	0	5.00	0.06	3.5			3.50				
KITCHEN OFFICE	1147	8	7.50	0.18	266.5			266.4		10.7		
DRIVE THRU	321	4	7.50	0.18	87.8				87.8			
SERVING AREA	217	4	7.50	0.18	69.1				69.1			
ORDER AREA	199	0	5.00	0.06	11.9				11.9			
ENTRY 'B'	55	0	5.00	0.06	3.3				3.3			
ENTRY 'A'	88	0	5.00	0.06	5.3				5.3			
DINING A	89	52	7.50	0.18	406.0				300	106		
TOTALS							TOTAL OUTSIDE AIR	100/140	329.20	266.40	488.10	106.00
							ZONE EFFECTIVENESS		0.8	0.8	0.8	0.8
							REQUIRED OUTSIDE AIR	100/140	411.50	333.00	610.13	132.50
							PROVIDE OUTSIDE AIR		780	1500	1150	420

OUTSIDE AIR BASED ON THE 2018 INTERNATIONAL MECHANICAL CODE

KITCHEN PRESSURIZATION	
RETURN AIR FROM SIDE DINING BACK TO KITCHEN	+700
NEW AC-2 OA (25 TON)+95 OA	+8500
NEW EF-1 KITCHEN HOOD #1	-1462
NEW EF-2 KITCHEN HOOD #2	-701
NEW EF-4 KITCHEN HOOD #3	-701
TOTAL	-664

DINING PRESSURIZATION	
EXISTING AC-1 OA (8.5 TON)+23.0% OA	+780
EXISTING AC-3 OA (10.0 TON)+7.0% OA	+180
EXISTING AC-4 OA (7.5 TON)+7.0% OA	+420
EXISTING EF-3 RESTROOM EXHAUST	-530
RETURN AIR FROM SIDE DINING BACK TO KITCHEN	-700
TOTAL	+120
BUILDING POSITIVE PRESSURE	+456

DUCTLESS SPLIT SYSTEM HEAT PUMP UNIT SCHEDULE												
MARK	COOLING CAPACITY (MBH)		EFFICIENCIES	FAN SECTION (CFM)		ELECTRICAL DATA			R-410A MODEL		MFR	WEIGHT
	MIN	MAX		SEER2	SUPPLY	CIRCUIT AMPACITY	MOOP	VOLTAGE	AHU	CU		
AHUMVCLRM (NEW)	11.0	39.0	19.2	699-830	2.4	35	208/160	AC036BTDCH	AC036BKADCH	SAMSUNG	40.8 LBS	189.6 LBS

NOTES

- MECHANICAL CONTRACTOR SHALL PURCHASE THE SPLIT SYSTEM HEAT PUMP THROUGH POWERS OF ARKANSAS POAL CONTACT CHAD FISHER WITH POA AT 479-927-9999

REMARKS

- ELECTRICIAN TO PROVIDE NON-FUSED DISCONNECT.
- MECHANICAL TO PROVIDE AND INSTALL REFRIGERANT PIPING AS PER MFR RECOMMENDATIONS.
- PROVIDE ENGRAVED PLASTIC LABEL AT AHU#1 AND CU#1 WITH 7 HIGH WHITE LETTERS ON A BLACK BACKGROUND RIVETED TO UNIT CABINET.
- PROVIDE WITH ADEQUATE REFRIGERANT LINE SET. FIELD VERIFY DISTANCE FROM W/RE CONDENSER IS TO BE SET TO AIR HANDLER LOCATION PRIOR TO ORDERING.
- PROVIDE WITH FACTORY W/RE WALL THERMOSTAT, MODEL MWH6000N, MOUNT NEXT TO POWERED AIR DOOR CONTROL PANEL. USE TWO-WIRE, STANDARD, NON-POLAR CONTROL WIRE TO CONNECTOR COIL.
- PROVIDE WITH FACTORY FRONT AND BACK WIND BARRIERS FOR LOW AMBIENT CONDITIONS.
- PROVIDE MWH54 CONNECTOR AT ROOM UNIT CONNECTOR CUBS. WIRE MWH54 TERMINALS 5 AND 6 TO SPARE POLE ON RELAY R1 IN SUNKOAST T-500 PANEL. (TERMINALS 8 AND 7 RESPECTIVELY). GC TO VERIFY THAT SPARE CONTACTS ARE AVAILABLE ON THE R1 RELAY PRIOR TO INSTALLATION.

AIR DOOR SCHEDULE						
MARK	CFM	VELOCITY	HEATING CAP	HP	AREA SERVED	REMARKS
AD1	1765	2670 FPM	10 KW	3/4	DRIVE THRU	CHA-148E POWERED-AIRE 123,5
AD2	1177	2443 FPM	10 KW	3/4	DRIVE THRU	CHA-136E POWERED-AIRE 123

NOTES

- CHICK-FIL-A HAS A NATIONAL ACCOUNT WITH TOM BARRON COMPANY FOR THE AIR DOORS. THE MECHANICAL CONTRACTOR SHALL PURCHASE THE AIR DOORS DIRECTLY FROM TOM BARRON COMPANY. CONTACT MR. SCOTT GEORGE AT 404-354-1000 FOR PRICING AND AVAILABILITY. AIR DOORS NOT PURCHASED THRU TOM BARRON COMPANY WILL NOT BE ACCEPTED.

REMARKS

- FACTORY PROVIDED, WIRED, AND UNIT MOUNTED SPEED CONTROLLER LOCATED ABOVE CEILING.
- FACTORY W/RE DISCONNECT.
- FACTORY PROVIDED, FIELD INSTALLED BY MC. REMOTE W ALL SWITCHES FOR HEATING ON/OFF AND FAN ON/AUTO SWITCH. SEE DETAIL, AIR CURTAIN WIRING DIAGRAM.
- FACTORY PROVIDED MAGNETIC DOOR CONTACT WITH FACTORY INSTALLED LOW VOLTAGE CONTROLS LOCATED IN AIR DOOR CABINET.
- PROVIDE WITH A DIVERXTER BOX.

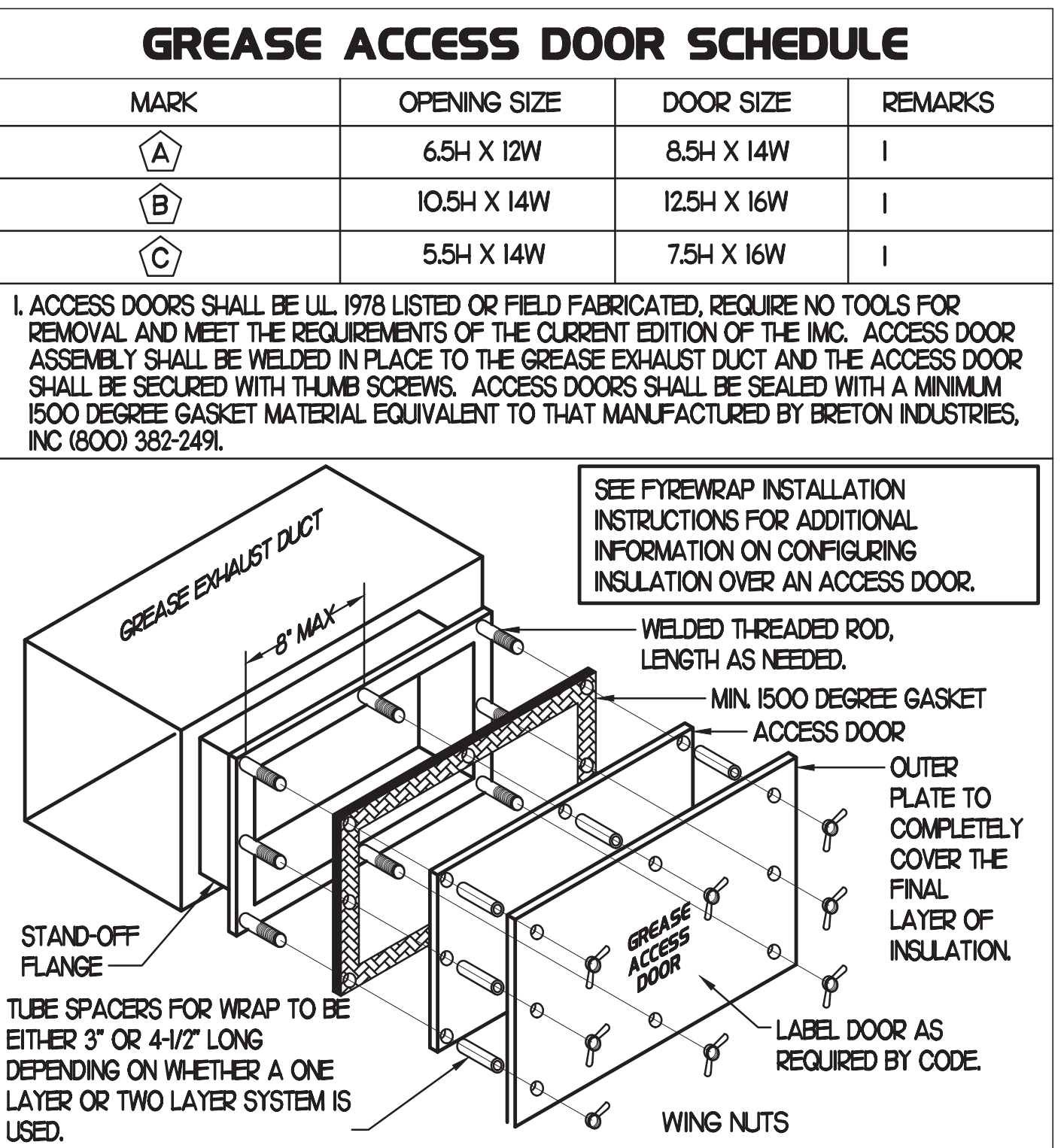
AIR DEVICE SCHEDULE						
MARK	DESCRIPTION	LOCATION	NECK SIZE	FACE SIZE	FRAME TYPE	REMARKS
A	PRICE MODEL AFDC ALUMINUM SUPPLY AIR DIFFUSER WITH INDIVIDUALLY ADJUSTABLE CURVED AIR PATTERN CONTROLLERS.	DINING AREA KITCHEN	SEE PLAN	24X24	LAY-IN	13
F	PRICE MODEL 22 DOUBLE DEFLECTION ALUMINUM SIDEWALL RETURN GRILLE FRONT BLADE PARALLEL TO LONG SIDE.	DINING AREA KITCHEN	SEE PLAN	24X24	SURFACE	13
H	PRICE MODEL AFDC ALUMINUM SUPPLY AIR DIFFUSER WITH INDIVIDUALLY ADJUSTABLE CURVED AIR PATTERN CONTROLLERS.	OFFICE	10	24X24	LAY-IN	12,3

NOTES

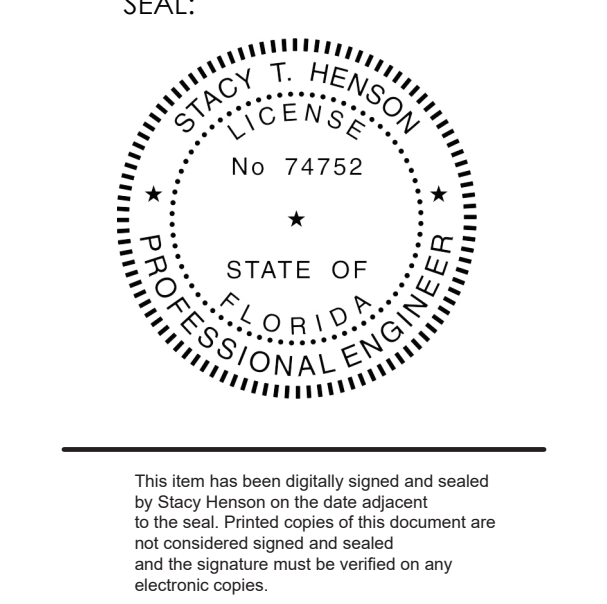
- MECHANICAL CONTRACTOR SHALL PURCHASE THE AIR DEVICES DIRECTLY FROM TOM BARRON COMPANY. CONTACT MR. SCOTT GEORGE AT 404-354-1000 FOR PRICING AND AVAILABILITY. AIR DEVICES NOT PURCHASED THRU TOM BARRON COMPANY WILL NOT BE ACCEPTED.

REMARKS

- STANDARD OFF WHITE FINISH.
- FIELD INSULATE BACKSPAN AS SHOWN ON DETAIL IWS-1.
- FACTORY INSULATED R-6 BACKSPAN.



INTERPLAN
INTERPLAN LLC
AR99238
CA 8660
ARCHITECTURE
ENGINEERING
PERMITTING
220 E. CENTRAL PKWY, STE 4000
ALAMONTE SPRINGS, FL 32701
407.645.5038



CHICK-FIL-A
SOUTHCHASE PLAZA
13085 S Orange Blossom Trail
Orlando
FL 32837

FSU#01128
BUILDING TYPE / SIZE: S97-100
RELEASE: -
PRINTED FOR: CONSTRUCTION
REVISION SCHEDULE

NO.	DATE	DESCRIPTION
1	2021.0085	2021.0085
2	2021.0085	2021.0085
3	2021.0085	2021.0085
4	2021.0085	2021.0085
5	2021.0085	2021.0085
6	2021.0085	2021.0085
7	2021.0085	2021.0085
8	2021.0085	2021.0085
9	2021.0085	2021.0085
10	2021.0085	2021.0085
11	2021.0085	2021.0085
12	2021.0085	2021.0085
13	2021.0085	2021.0085
14	2021.0085	2021.0085
15	2021.0085	2021.0085
16	2021.0085	2021.0085
17	2021.0085	2021.0085
18	2021.0085	2021.0085
19	2021.0085	2021.0085
20	2021.0085	2021.0085
21	2021.0085	2021.0085
22	2021.0085	2021.0085
23	2021.0085	2021.0085
24	2021.0085	2021.0085
25	2021.0085	2021.0085
26	2021.0085	2021.0085
27	2021.0085	2021.0085
28	2021.0085	2021.0085
29	2021.0085	2021.0085
30	2021.0085	2021.0085
31	2021.0085	2021.0085
32	2021.0085	2021.0085
33	2021.0085	2021.0085
34	2021.0085	2021.0085
35	2021.0085	2021.0085
36	2021.0085	2021.0085
37	2021.0085	2021.0085
38	2021.0085	2021.0085
39	2021.0085	2021.0085
40	2021.0085	2021.0085
41	2021.0085	2021.0085
42	2021.0085	2021.0085
43	2021.0085	2021.0085
44	2021.0085	2021.0085
45	2021.0085	2021.0085
46	2021.0085	2021.0085
47	2021.0085	2021.0085
48	2021.0085	2021.0085
49	2021.0085	2021.0085
50	2021.0085	2021.0085
51	2021.0085	2021.0085
52	2021.0085	2021.0085
53	2021.0085	2021.0085
54	2021.0085	2021.0085
55	2021.0085	2021.0085
56	2021.0085	2021.0085
57	2021.0085	2021.0085
58	2021.0085	2021.0085
59	2021.0085	2021.0085
60	2021.0085	2021.0085
61	2021.0085	2021.0085
62	2021.0085	2021.0085
63	2021.0085	2021.0085
64	2021.0085	2021.0085
65	2021.0085	2021.0085
66	2021.0085	2021.0085
67	2021.0085	2021.0085
68	2021.0085	2021.0085
69	2021.0085	2021.0085
70	2021.0085	2021.0085
71	2021.0085	2021.0085
72	2021.0085	2021.0085
73	2021.0085	2021.0085
74	2021.0085	2021.0085
75	2021.0085	2021.0085
76	2021.0085	2021.0085
77	2021.0085	2021.0085
78	2021.0085	2021.0085
79	2021.0085	2021.0085
80	2021.0085	2021.0085
81	2021.0085	2021.0085
82	2021.0085	2021.0085
83	2021.0085	2021.0085
84	2021.0085	2021.0085
85	2021.0085	2021.0085
86	2021.0085	2021.0085
87	2021.0085	2021.0085
88	2021.0085	2021.0085
89	2021.0085	2021.0085
90	2021.0085	2021.0085
91	2021.0085	2021.0085
92	2021.0085	2021.0085
93	2021.0085	2021.0085
94	2021.0085	2021.0085
95	2021.0085	2021.0085
96	2021.0085	2021.0085
97	2021.0085	2021.0085
98	2021.0085	2021.0085
99	2021.0	

KITCHEN HOOD SYSTEMS NOTES

- CHICK-FIL-A MAINTAINS A NATIONAL ACCOUNT WITH HALTON CO. FOR THE HOODS. CHICK-FIL-A WILL PURCHASE AND PROVIDE THE HOODS FOR INSTALLATION BY THE MECHANICAL CONTRACTOR. THE MECHANICAL CONTRACTOR SHALL BE RESPONSIBLE FOR RECEIVING THE HOODS. CONTACT HALTON CO. AT 270-237-5600 FOR MORE INFO.
- THE FIRE SUPPRESSION SYSTEM SHALL CONSIST OF A COMPLETE WET ANSUL SYSTEM FURNISHED BY HALTON. THE HOOD SHALL BE FURNISHED PRE-PIPED BY HALTON.
- THE R-102 ANSUL FIRE SUPPRESSION SYSTEM EXTERNAL TO THE HOODS SHALL BE INSTALLED IN ACCORDANCE WITH HOOD MANUFACTURER'S SHOP DRAWINGS BY AN AUTHORIZED ANSUL SYSTEM INSTALLER HIRED BY HALTON.
- HOOD EXHAUST DUCTWORK SHALL BE 16 GA. BLACK STEEL WITH CONTINUOUS LIQUID TIGHT WELD OF JOINTS & SEAMS.
- URNS IN GREASE EXHAUST DUCTWORK SHALL BE LONG RADIUS TYPE, WITH A CENTERLINE RADIUS R-3W/2, NO EXCEPTIONS ALLOWED. NO MITERED FITTINGS ALLOWED.
- ALL STAINLESS STEEL CLOSURE PANELS SHALL BE SUPPLIED BY HOOD MANUFACTURER AND INSTALLED BY THE MECHANICAL CONTRACTOR ACCORDING TO MANUFACTURER'S RECOMMENDATIONS.
- SLOPE ALL GREASE EXHAUST DUCT BACK TO HOOD AT 1/4" PER FOOT OF RUN.
- WRAP NEW GREASE DUCT WITH UNIFRAX FyreWRAP. INSULATION ON ACCESS DOORS SHALL BE INSTALLED ACCORDING TO MANUFACTURER'S INSTALLATION RECOMMENDATIONS. UNIFRAX FyreWRAP PRODUCT USED SHALL MEET LOCAL CODE REQUIREMENTS.
- SUPPORT HOOD#1- HOOD#3 WITH THREADED ROD AT EACH FACTORY SUPPORT POINT. EACH SUPPORT POINT MUST SUPPORT THE HOOD WEIGHT EQUALLY. ATTACH TO STRUCTURE AS DETAILED ON STRUCTURAL DRAWINGS.

HOOD SCHEDULE

MARK	EXHAUST CFM	SP * TAB PORT	CAPTURE JET CFM & SP.	TYPE	COLLAR SIZE	WIDTH	DEPTH	HEIGHT	MANUFACTURER	MODEL	REMARKS
NEW HOOD#1	1462	0.24	72 * 0.30"	CANOPY	14X8"	130	37	38	HALTON	KVL-2	1
NEW HOOD#2	701	0.30	30 * 0.29"	CANOPY	8'X8"	42	34	38	HALTON	KVL-C	1
NEW HOOD#3	701	0.30	30 * 0.29"	CANOPY	8'X8"	42	34	38	HALTON	KVL-C	1

NOTES
DIMENSIONS OF HOODS INCLUDE BACK AND SIDE SPACERS (HEIGHT DOES NOT INCLUDE CLOSURE PANELS).

REMARKS
1. TYPICAL INSTALLATION FOR NEW HOODS. FIELD VERIFY & COORDINATE WITH HOOD DRAWINGS BY HALTON. REFER TO SHEET M-H-1 & M-H-2 PRIOR TO BID & CONSTRUCTION.

GREASE EXHAUST DUCT CLEARANCE NOTE

CLEARANCES ABOVE CEILING ARE TIGHT. MECHANICAL CONTRACTOR TO FIELD VERIFY EXACT ROUTING AND CLEARANCES PRIOR TO FABRICATING GREASE EXHAUST DUCT.

CAPTURE JET NOTE

REFER TO 'CAPTURE JET FAN INSTALLATION AND DIMENSIONAL DATA' SCHEDULE ON HALTON SHOP DRAWINGS (SHEET M-H-1) FOR INFORMATION ON CAPTURE JET FAN.

CLEANOUT DOOR NOTE

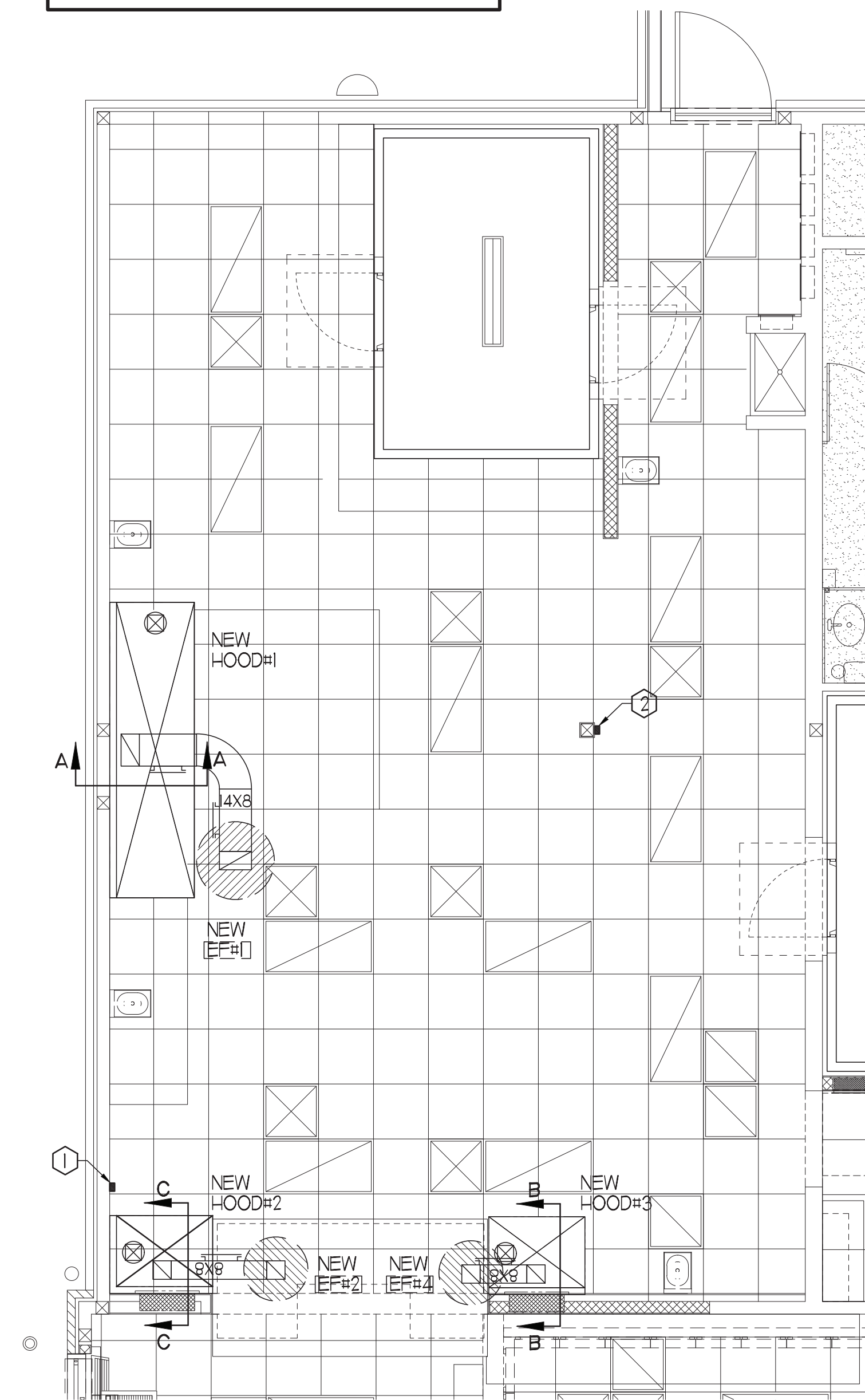
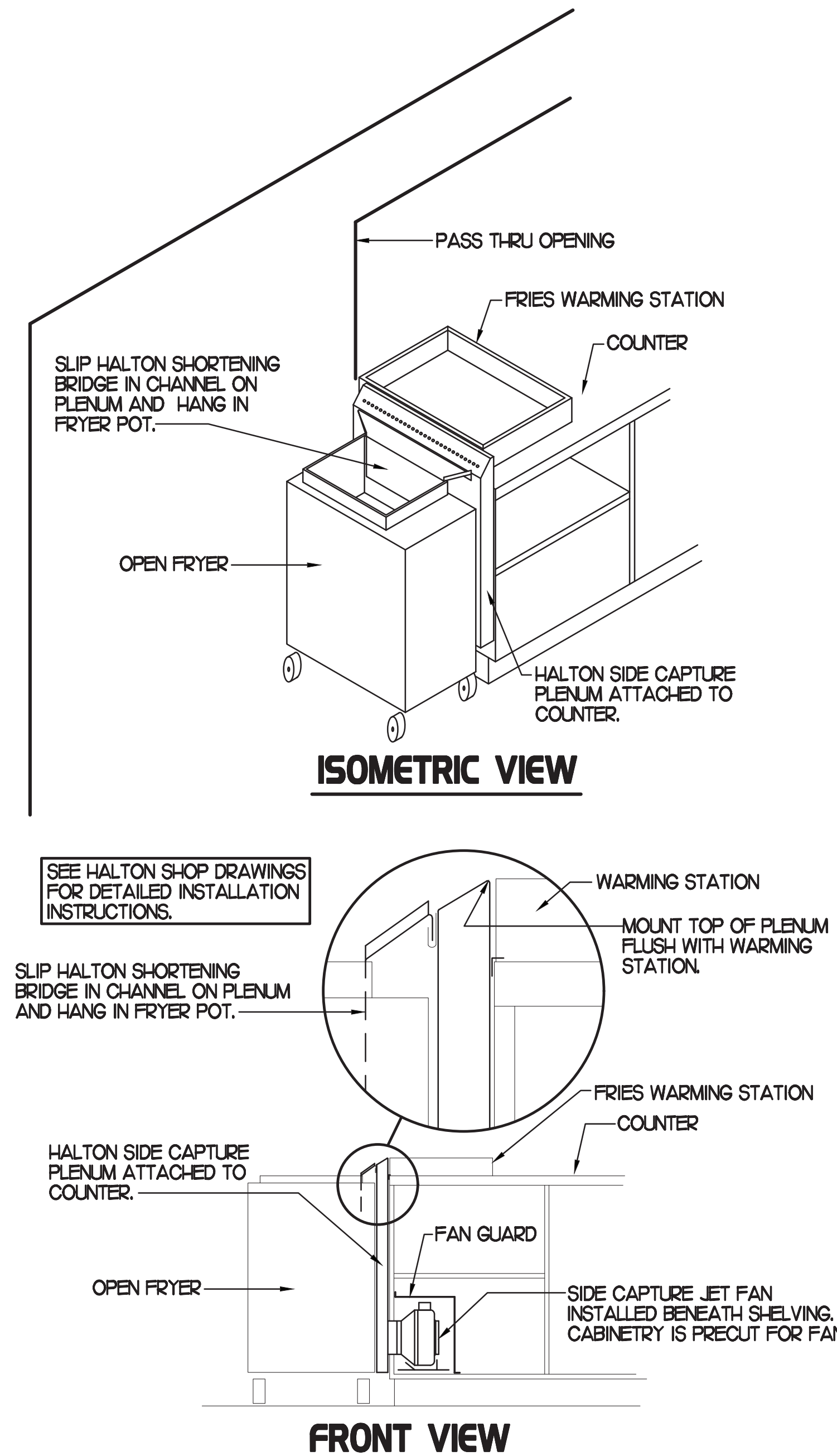
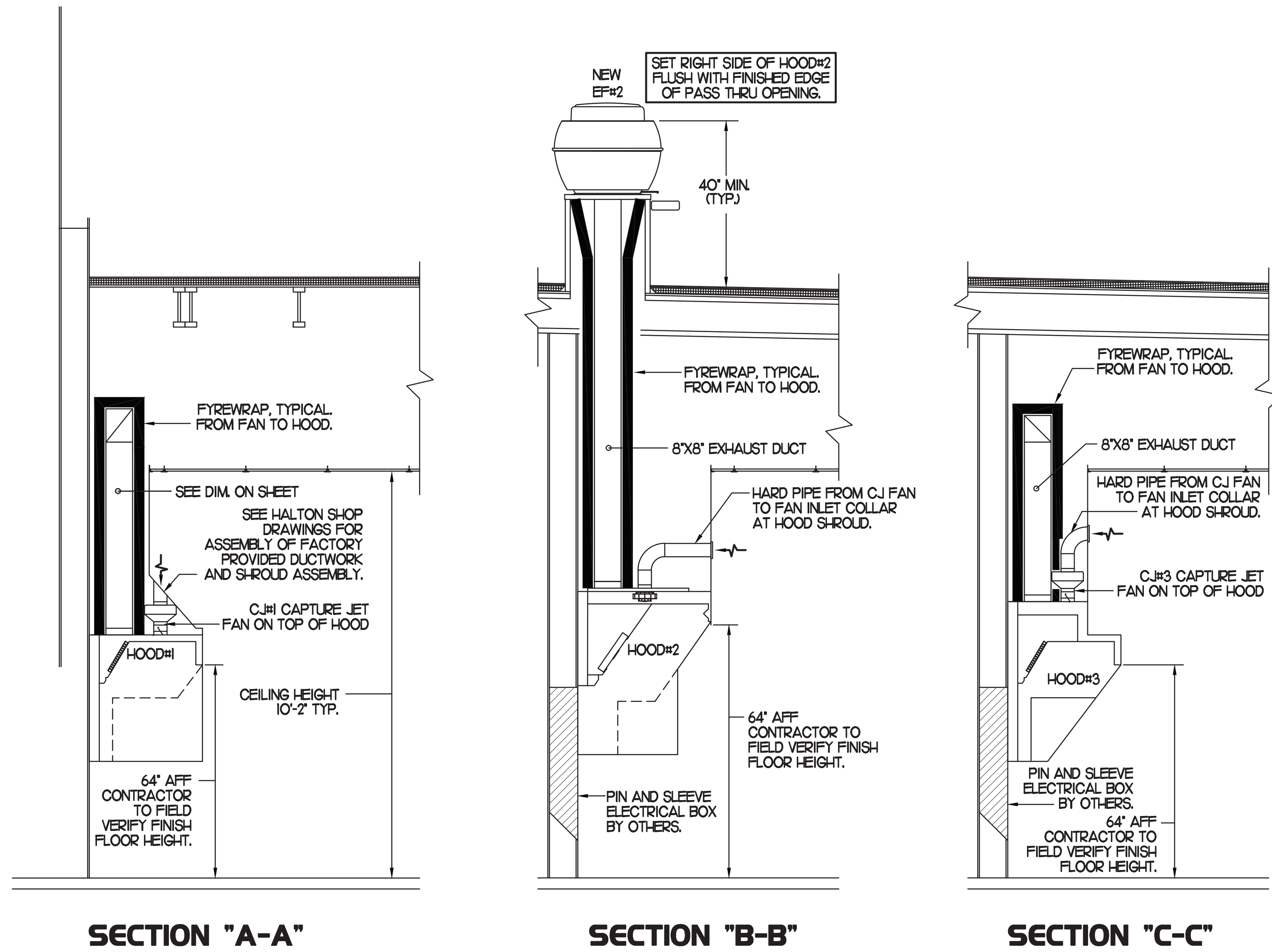
DUCT WRAP SHALL BE APPLIED TO THE CLEANOUT DOOR PER THE WRAP MFR'S INSTALLATION INSTRUCTIONS, NO EXCEPTIONS. ALSO, THE CLEANOUT DOOR MUST BE REMOVABLE WITHOUT TOOLS AND MUST BE CLEARLY AND PERMANENTLY LABELED.

HOOD ELEVATION NOTE

HOOD ELEVATIONS ON THIS SHEET ONLY SERVE ILLUSTRATIVE PURPOSES. SEE DETAILS ON HALTON SHOP DRAWINGS ON SHEET M-H-1 FOR DETAILS ON STANDOFFS, CLEARANCES, AND HOOD CONSTRUCTION.

NOTE

ALL NEW HOODS SHALL BE RATED WITH ONE INCH THICK LAYER OF FACTORY INSTALLED INSULATION TO MEET "ZERO INCH CLEARANCE TO COMBUSTIBLE MATERIALS. HOOD SHALL BE CERTIFIED BY ETL SPECIFICATIONS, AND SHALL CONFORM TO UL STANDARD 710, BUILT PER NFPA 96 SECTION 4.2.2, AND NSF LISTED.



HOOD LAYOUT NOTES

- ANSUL PULL STATION SERVING NEW HOOD #1. LOCATE ANSUL PULL STATION BETWEEN 42" AND 48" AFF. COORDINATE EXACT LOCATION WITH KITCHEN EQUIPMENT ELEVATIONS. J-BOX AND CONDUIT ARE BY ELECTRICAL. PROVIDE RED BAKELITE LABEL WITH 1/2" HIGH LETTERS INDICATING THE HOODS SERVED.
- ANSUL PULL STATION SERVING NEW HOODS #2 AND #3. LOCATE ANSUL PULL STATION BETWEEN 42" AND 48" AFF. COORDINATE EXACT LOCATION WITH KITCHEN EQUIPMENT ELEVATIONS. J-BOX AND CONDUIT ARE BY ELECTRICAL. PROVIDE RED BAKELITE LABEL WITH 1/2" HIGH LETTERS INDICATING THE HOODS SERVED.

3 HOOD ELEVATIONS

SCALE: NONE

2 HALTON SIDE CAPTURE JET PLENUM

SCALE: NONE

1 HOOD LAYOUT

1/8"=1'-0"



Chick-fil-A
5200 Buffington Road
Atlanta, Georgia
30349-2998

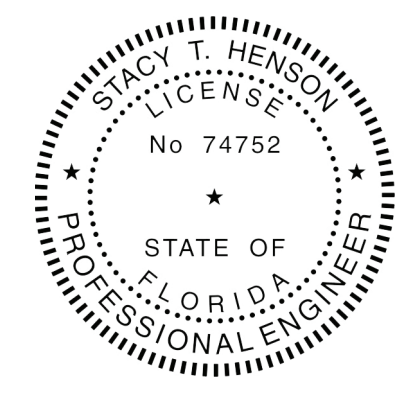


INTERPLAN LLC
AR99238
CA 8660

ARCHITECTURE
ENGINEERING
PERMITTING

220 E. CENTRAL PKWY., STE 4000
ALAMONTE SPRINGS, FL 32701
407.645.5038

SEAL:



This item has been digitally signed and sealed by Shrey Hensson on the date adjacent to the seal. Printed copies of this document are not considered signed and sealed and the signature must be verified on any electronic copies.

CHICK-FIL-A
SOUTHCHASE PLAZA
13085 S Orange Blossom Trail
Orlando
FL 32837

FSU#01128

BUILDING TYPE / SIZE: S97-100

RELEASE: -

PRINTED FOR: -

CONSTRUCTION

REVISION SCHEDULE

NO. DATE DESCRIPTION

SHEET NUMBER
M2.1

