



GAS FIRED ROOFTOP UNIT SCHEDULE																	
MARK	TONNAGE	AREA SERVED	COOLING CAPACITY (MBH)		HEATING CAPACITY (MBH)		FAN SECTION (CFM)			EXISTING MANUFACTURER/ MODEL	NEW MANUFACTURER/ MODEL	ARI RATINGS	PERCENTAGE OF OUTDOOR AIR	ELECTRICAL DATA VOLTAGE/PHASE/MCA/MOOP	REMARKS	APPROX. NET WEIGHT INCLUDING OPTIONS	
			TOTAL	SENS	INPUT	OUTPUT	STAGES	SUPPLY	O.A.								HP
EXISTING AC1	8.5	DINING B	-	-	-	-	3,000	750	-	-	LENNOX/LGH02H4	-	23.0%	208/3/60	-	12	-
NEW AC2	25.0	KITCHEN	294.5	226.6	480.0	394.0	2	8,000	1,500	10	10	LENNOX/LGH50S4	18.8%	208/3/60	142	150	123,456.789
EXISTING AC3	10.0	DRIVE-THRU/SERVING	-	-	-	-	4,700	1,500	-	-	LENNOX/LGH50S4	-	17.0%	208/3/60	-	12	-
EXISTING AC4	7.5	DINING A	-	-	-	-	1,800	420	-	-	LENNOX/LGH06044	-	17.0%	208/3/60	-	12	-

ALL NEW ROOFTOP UNITS SHALL INCLUDE A HUMIDITROL OPTION WITH FACTORY WALL MOUNTED HUMIDITY SENSOR.

- PROVIDE DIFFERENTIAL ENTHALPY ECONOMIZER WITH POWER EXHAUST.
- PROVIDE NEW 1/2" HIGH ROOF CURB.
- SEE DETAIL M42 FOR SETTING OF PROOBY M3 AND M-8 IMC BOARD CONTROLLECTO PARAMETERS BY MC.
- PROVIDE FACTORY INSTALLED AND UNIT POWERED REV 8/1 SERVICE OUTLET.
- PROVIDE FACTORY INSTALLED RETURN AND SUPPLY SMOKE DETECTOR.
- PROVIDE FACTORY INSTALLED NON-FUSED DISCONNECT.
- PROVIDE FACTORY INSTALLED NON-FUSED DISCONNECT.
- PROVIDE 2" MERV 8 THROW AWAY FILTERS.
- PROVIDE HINGED PANELS FOR FILTER ACCESS, FAN MOTOR ACCESS, COMPRESSOR ACCESS AND CONTROL COMPARTMENT ACCESS.
- ADJUST GAS MANIFOLD PRESSURE AT LOCATIONS WHERE ELEVATION EXCEEDS 2000' ABOVE SEA LEVEL AS RECOMMENDED BY MANUFACTURER.
- PROVIDE FACTORY COIL HAIL GUARD, FIELD INSTALLED.
- PROVIDE FACTORY INSTALLED BELT TENSIONER.
- EXISTING UNIT TO REMAIN.

- CONTRACTOR SHALL VERIFY EXACT ELECTRICAL CONNECTIONS, WIRE SIZES, BREAKERS, DISCONNECT, ETC. FOR THE NEW ROOFTOP UNITS PRIOR TO ORDERING AND BID.
- TEST AND BALANCE REPORT SHALL BE DONE PRIOR TO STORE TURNOVER AND SUBMITTED TO CFA'S CONSTRUCTION MANAGER AND TO ENGINEER OF RECORD.
- NEW HVAC EQUIPMENTS SHALL BE INSTALLED IN ACCORDANCE WITH THE MANUFACTURER'S INSTALLATION INSTRUCTIONS INCLUDING CLEARANCES, E SHALL MEET ALL LOCAL AND STATE CODE REQUIREMENTS. INSTRUCTIONS SHALL BE ON SITE AND AVAILABLE FOR ALL INSPECTIONS, SERVICE, REPAIR, OR REPLACEMENT.
- NEW ROOFTOP UNITS ONLY, MECHANICAL CONTRACTOR SHALL RELOCATE THE FACTORY INSTALLED SUPPLY SIDE SMOKE DETECTOR FROM THE BLOWER SECTION TO THE SUPPLY DUCT DROP ABOVE THE FIRST 90 DEGREE DUCT FITTING.
- NEW ROOFTOP UNITS ONLY, THE MECHANICAL CONTRACTOR SHALL SPLICE NEW PLENUM RATED CABLE BETWEEN THE FACTORY SMOKE DETECTOR AND THE FACTORY JACK PLUS, THE NEW WIRING SHALL BE ROUTED THRU THE ROOFTOP UNIT BASESPAN RACEWAY, SPLICES SHALL BE JOINED WITH CRIMP ON FITTINGS AND HEAT SHRINK JACKETS.

EXHAUST FAN SCHEDULE									
MARK	CFM	ESP	RPM	TIP SPEED (FPM)	HP	AREA SERVED	MODEL	MANUFACTURER	REMARKS
NEW EF-1	1462	.65	954	4,164	1/2	HOOD#1	150V5B	LOREN COOK	123,45,6
NEW EF-2	701	.75	1,238	4,861	1/3	HOOD#2	150V4B	LOREN COOK	123,45,6
EXISTING EF-3	530	-	-	-	-	RESTROOMS	-	-	7
NEW EF-4	701	.75	1,238	4,861	1/3	HOOD#3	150V4B	LOREN COOK	123,45,6

NOTES

- GREASE EXHAUST FAN RPM BASED ON 80 DEGREE F AIR AT 1000 FEET ABOVE SEA LEVEL.
- GREASE EXHAUST FANS TO BE UL L78 LISTED.
- CHICK-FIL-A HAS A NATIONAL ACCOUNT WITH TOM BARRON COMPANY FOR THE FANVCLRB PACKAGE. THE MECHANICAL CONTRACTOR IS REQUIRED TO PURCHASE THE FANVCLRB PACKAGE DIRECTLY FROM TOM BARRON COMPANY. CONTACT MR. SCOTT GEORGE AT 404-354-1000 FOR PRICING AND AVAILABILITY. FANS AND CURBS NOT PURCHASED THRU TOM BARRON COMPANY WILL NOT BE ACCEPTED.

REMARKS

- PROVIDE FACTORY 1'-0" BASE CURB AND EXTENSION.
- PROVIDE FACTORY INSTALLED, PRE-WIRED, NEMA 3 NON-FUSED DISCONNECT.
- PROVIDE FACTORY INSTALLED HINGED BASE KIT.
- PROVIDE AND INSTALL ROOFTOP SOLUTIONS G2 DRIP GUARD. MECHANICAL CONTRACTOR TO CONTACT ROOFTOP SOLUTIONS AT 800-99-7034.
- PROVIDE FACTORY INSTALLED HELICAL SPRING AUTOMATIC BELT TENSIONER.
- INTEGRAL THERMAL OVERLOAD WITH AUTOMATIC RESET.
- EXISTING EXHAUST FAN TO REMAIN.

OUTDOOR AIR CALCULATION											
ROOM NUMBER & NAME	AREA SQ. FT.	NO. OF PEOPLE	REQD OA CFM/PERSON	REQD OA CFM/SQ FT	TOTAL OSA	REQD EXHAUST AIR PER FIXTURE	REQD OSA AC-1	REQD OSA AC-2	REQD OSA AC-3	REQD OSA AC-4	
DINING B	351	35	7.50	0.18	325.7		325.7				
MENS RR	123	0	0.00	0.00	0.0	50/70					
WOMENS RR	127	0	0.00	0.00	0.0	50/70					
RR VESTIBULE	59	0	5.00	0.06	3.5			3.50			
KITCHEN	1147	8	7.50	0.18	266.5			266.4			
OFFICE	95	1	5.00	0.06	10.7				10.7		
DRIVE THRU	321	4	7.50	0.18	87.8				87.8		
SERVING AREA	217	4	7.50	0.18	69.1				69.1		
ORDER AREA	199	0	5.00	0.06	11.9				11.9		
ENTRY 'B'	55	0	5.00	0.06	3.3				3.3		
ENTRY 'A'	88	0	5.00	0.06	5.3				5.3		
DINING A	89	52	7.50	0.18	406.0				300	106	
TOTALS						TOTAL OUTSIDE AIR	100/140	329.20	266.40	488.10	106.00
						ZONE EFFECTIVENESS		0.8	0.8	0.8	0.8
						REQUIRED OUTSIDE AIR	100/140	411.50	333.00	610.13	132.50
						PROVIDE OUTSIDE AIR		780	1500	1150	420

OUTSIDE AIR BASED ON THE 2018 INTERNATIONAL MECHANICAL CODE

KITCHEN PRESSURIZATION	
RETURN AIR FROM SIDE DINING BACK TO KITCHEN	+700
NEW AC-2 OA (25 TON)+95 OA	+8500
NEW EF-1 KITCHEN HOOD #1	-1462
NEW EF-2 KITCHEN HOOD #2	-701
NEW EF-4 KITCHEN HOOD #3	-701
TOTAL	-664

DINING PRESSURIZATION	
EXISTING AC-1 OA (8.5 TON)+23.01 OA	+780
EXISTING AC-3 OA (10.0 TON)+7.01 OA	+180
EXISTING AC-4 OA (7.5 TON)+7.01 OA	+420
EXISTING EF-3 RESTROOM EXHAUST	-530
RETURN AIR FROM SIDE DINING BACK TO KITCHEN	-700
TOTAL	+120
BUILDING POSITIVE PRESSURE	+456

DUCTLESS SPLIT SYSTEM HEAT PUMP UNIT SCHEDULE												
MARK	COOLING CAPACITY (MBH)		EFFICIENCIES	FAN SECTION (CFM)		ELECTRICAL DATA			R-410A MODEL		MFR	WEIGHT
	MIN	MAX		SEER2	SUPPLY	CIRCUIT AMPACITY	MOOP	VOLTAGE	AHU	CU		
AHUMVCLRM (NEW)	11.0	39.0	19.2	699-830	2.4	35	208/160	AC036BTDCH	AC036BKADCH	SAMSUNG	40.8 LBS	189.6 LBS

NOTES

- MECHANICAL CONTRACTOR SHALL PURCHASE THE SPLIT SYSTEM HEAT PUMP THROUGH POWERS OF ARKANSAS POAL CONTACT CHAD FISHER WITH POA AT 479-927-9999

REMARKS

- ELECTRICIAN TO PROVIDE NON-FUSED DISCONNECT.
- MECHANICAL TO PROVIDE AND INSTALL REFRIGERANT PIPING AS PER MFR RECOMMENDATIONS.
- PROVIDE ENGRAVED PLASTIC LABEL AT AHU#1 AND CU#1 WITH 7 HIGH WHITE LETTERS ON A BLACK BACKGROUND RIVETED TO UNIT CABINET.
- PROVIDE WITH ADEQUATE REFRIGERANT LINE SET, FIELD VERIFY DISTANCE FROM W/RE CONDENSER IS TO BE SET TO AIR HANDLER LOCATION PRIOR TO ORDERING.
- PROVIDE WITH FACTORY W/RE WALL THERMOSTAT, MODEL MWH6000L, MOUNT NEXT TO POWERED AIR DOOR CONTROL PANEL, USE TWO-WIRE, STANDARD, NON-POLAR CONTROL WIRE TO CONNECTOR COIL.
- PROVIDE WITH FACTORY FRONT AND BACK WIND BARRIERS FOR LOW AMBIENT CONDITIONS.
- PROVIDE MWH54 CONNECTOR AT ROOM UNIT CONNECTOR CUBS, WIRE MWH54 TERMINALS 5 AND 6 TO SPARE POLE ON RELAY R1 IN SUNKOAST T-500 PANEL, (TERMINALS 8 AND 7 RESPECTIVELY), GO TO VERIFY THAT SPARE CONTACTS ARE AVAILABLE ON THE R1 RELAY PRIOR TO INSTALLATION.

AIR DOOR SCHEDULE						
MARK	CFM	VELOCITY	HEATING CAP	HP	AREA SERVED	REMARKS
AD1	1765	2670 FPM	10 KW	3/4	DRIVE THRU	CHA-148E POWERED-AIRE 123,5
AD2	1177	2443 FPM	10 KW	3/4	DRIVE THRU	CHA-136E POWERED-AIRE 123

NOTES

- CHICK-FIL-A HAS A NATIONAL ACCOUNT WITH TOM BARRON COMPANY FOR THE AIR DOORS. THE MECHANICAL CONTRACTOR SHALL PURCHASE THE AIR DOORS DIRECTLY FROM TOM BARRON COMPANY. CONTACT MR. SCOTT GEORGE AT 404-354-1000 FOR PRICING AND AVAILABILITY. AIR DOORS NOT PURCHASED THRU TOM BARRON COMPANY WILL NOT BE ACCEPTED.

REMARKS

- FACTORY PROVIDED, WIRED, AND UNIT MOUNTED SPEED CONTROLLER LOCATED ABOVE CEILING.
- FACTORY W/RE DISCONNECT.
- FACTORY PROVIDED, FIELD INSTALLED BY MC, REMOTE W ALL SWITCHES FOR HEATING ON/OFF AND FAN ON/AUTO SWITCH. SEE DETAIL, AIR CURTAIN WIRING DIAGRAM.
- FACTORY PROVIDED MAGNETIC DOOR CONTACT WITH FACTORY INSTALLED LOW VOLTAGE CONTROLS LOCATED IN AIR DOOR CABINET.
- PROVIDE WITH A DIVERXTER BOX.

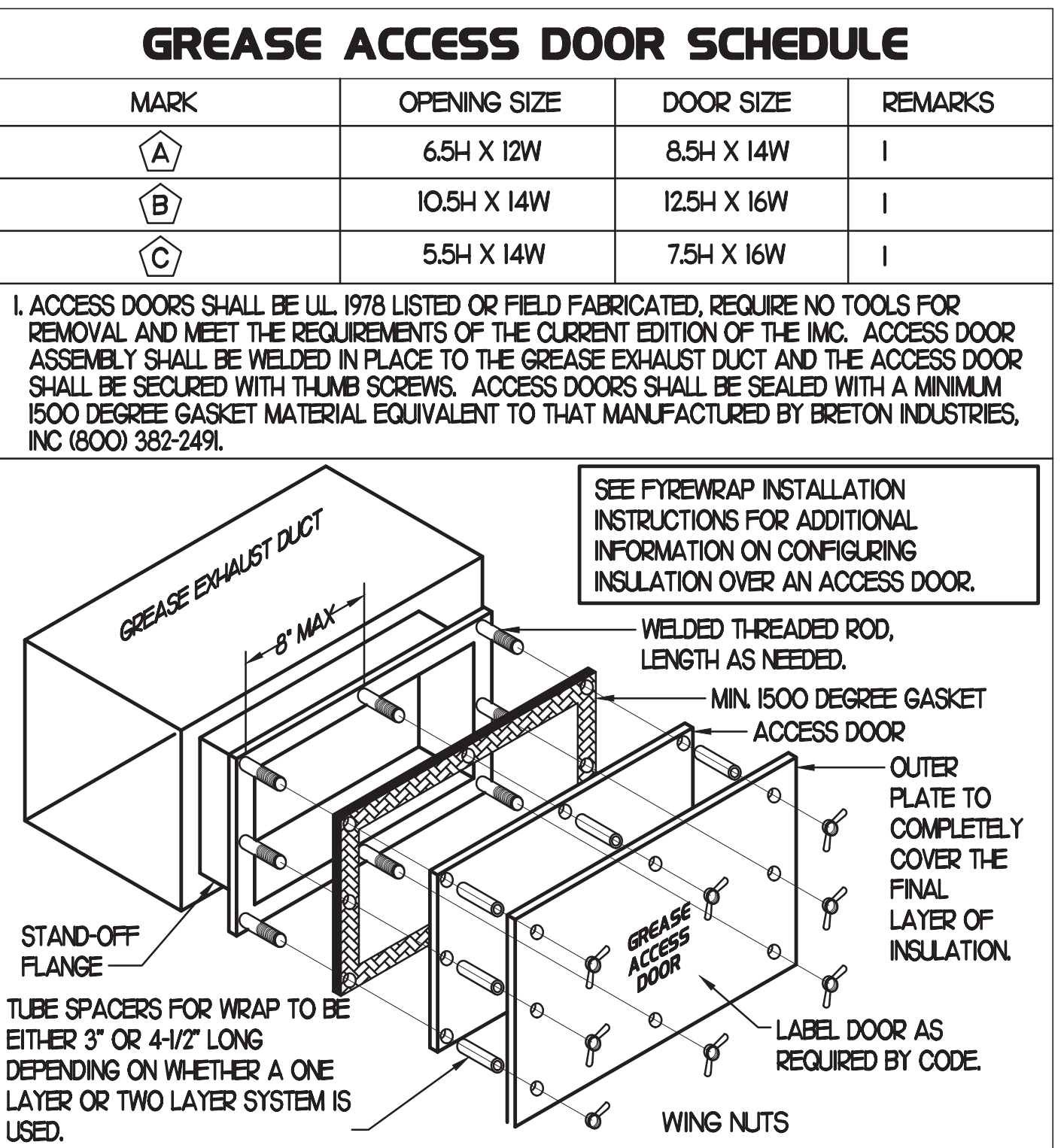
AIR DEVICE SCHEDULE						
MARK	DESCRIPTION	LOCATION	NECK SIZE	FACE SIZE	FRAME TYPE	REMARKS
A	PRICE MODEL AFDC ALUMINUM SUPPLY AIR DIFFUSER WITH INDIVIDUALLY ADJUSTABLE CURVED AIR PATTERN CONTROLLERS.	DINING AREA KITCHEN	SEE PLAN	24X24	LAY-IN	13
F	PRICE MODEL 22 DOUBLE DEFLECTION ALUMINUM SIDEWALL RETURN GRILLE FRONT BLADE PARALLEL TO LONG SIDE.	DINING AREA KITCHEN	SEE PLAN	24X24	SURFACE	13
H	PRICE MODEL AFDC ALUMINUM SUPPLY AIR DIFFUSER WITH INDIVIDUALLY ADJUSTABLE CURVED AIR PATTERN CONTROLLERS.	OFFICE	10	24X24	LAY-IN	12,3

NOTES

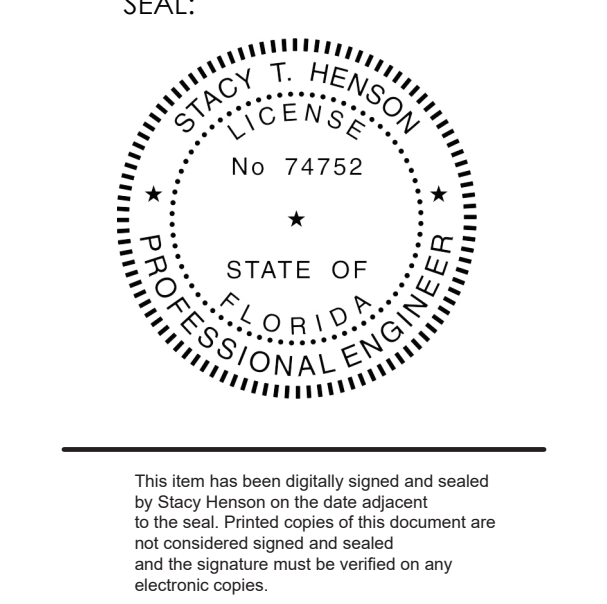
- MECHANICAL CONTRACTOR SHALL PURCHASE THE AIR DEVICES DIRECTLY FROM TOM BARRON COMPANY, CONTACT MR. SCOTT GEORGE AT 404-354-1000, FOR PRICING AND AVAILABILITY. AIR DEVICES NOT PURCHASED THRU TOM BARRON COMPANY WILL NOT BE ACCEPTED.

REMARKS

- STANDARD OFF WHITE FINISH.
- FIELD INSULATE BACKSPAN AS SHOWN ON DETAIL IWS-1.
- FACTORY INSULATED R-6 BACKSPAN.



**INTERPLAN**  
INTERPLAN LLC  
AR99238  
CA 8660  
ARCHITECTURE  
ENGINEERING  
PERMITTING  
220 E. CENTRAL PKWY, STE 4000  
ALAMONTE SPRINGS, FL 32701  
407.645.5038



**CHICK-FIL-A**  
SOUTHCHASE PLAZA  
13085 S Orange Blossom Trail  
Orlando  
FL 32837

**FSU#01128**  
BUILDING TYPE / SIZE: S97-100  
RELEASE: -  
PRINTED FOR: CONSTRUCTION  
REVISION SCHEDULE

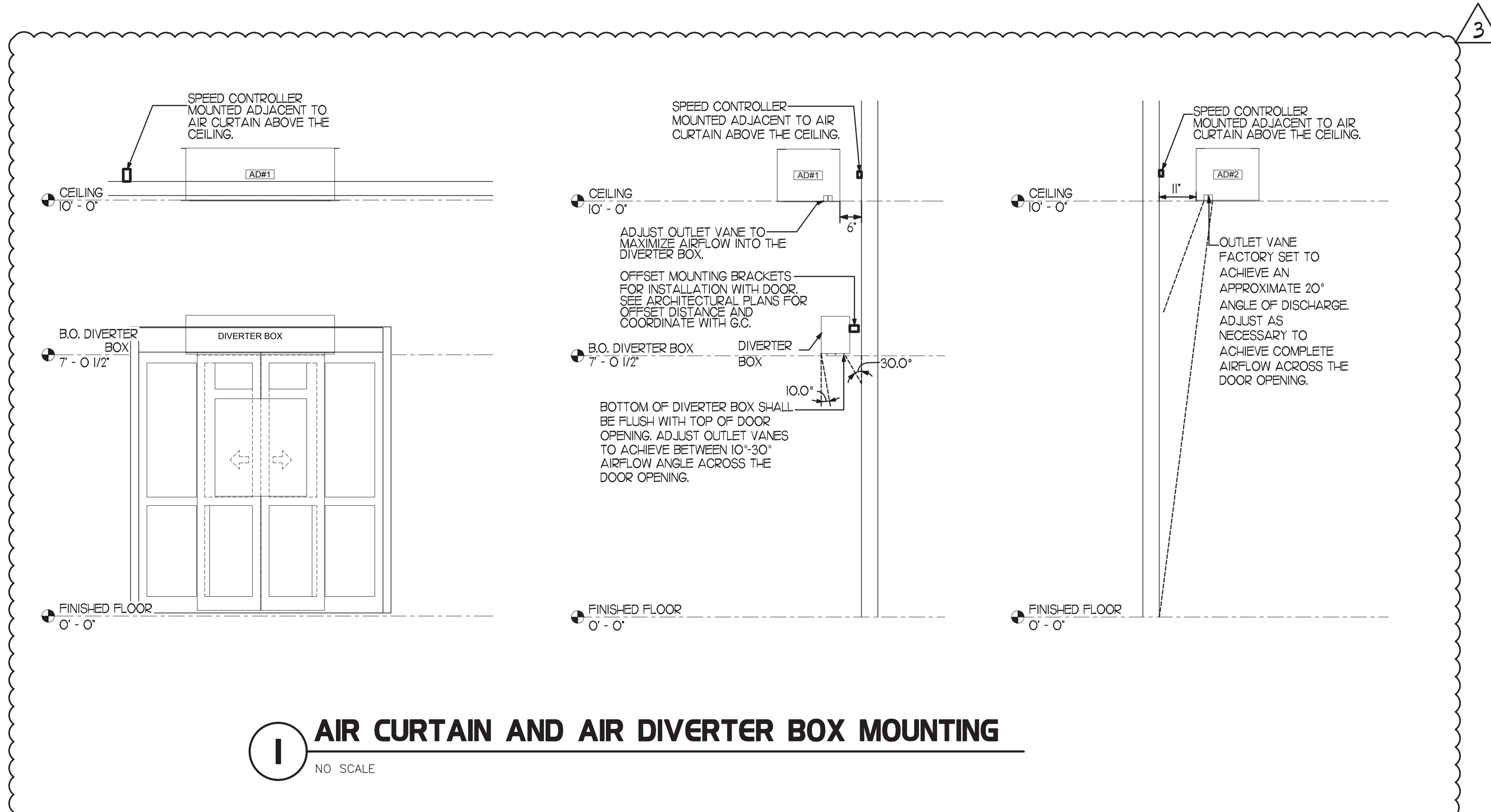
NO.	DATE	DESCRIPTION
1	2021.0065	2021.0065
2	2021.0065	2021.0065
3	2021.0065	2021.0065
4	2021.0065	2021.0065
5	2021.0065	2021.0065
6	2021.0065	2021.0065
7	2021.0065	2021.0065
8	2021.0065	2021.0065
9	2021.0065	2021.0065
10	2021.0065	2021.0065

CONSULTANT PROJECT # 2021.0065  
DATE January 2023  
DRAWN BY AE  
CHECKED BY DAK  
Information contained on this drawing and all digital files produced for above named project may not be reproduced or transmitted in any form or by any means, electronic or mechanical, without the prior written consent of the project sponsor.  
SHEET MECHANICAL SCHEDULES  
SHEET NUMBER  
**M3.1**

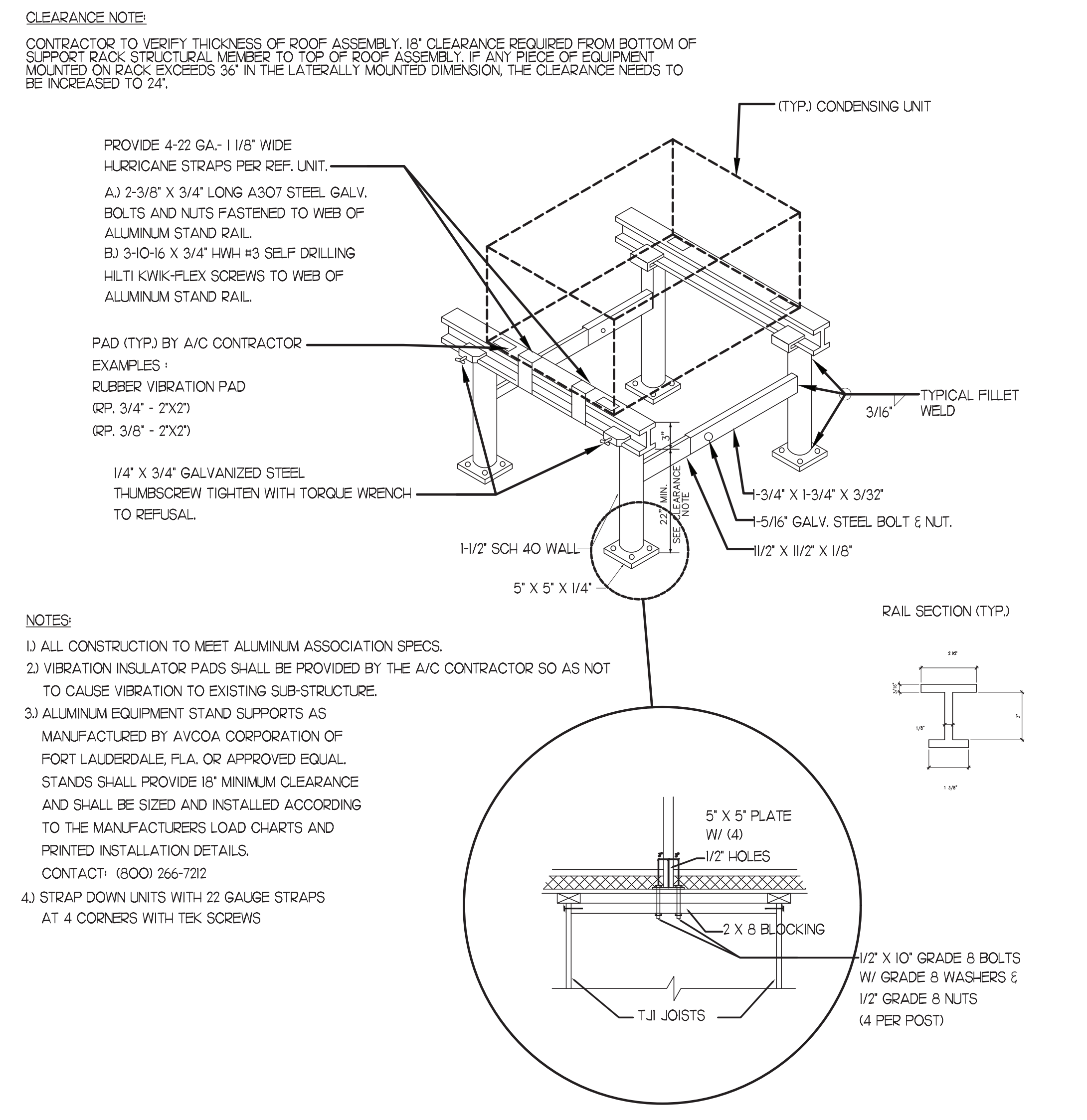






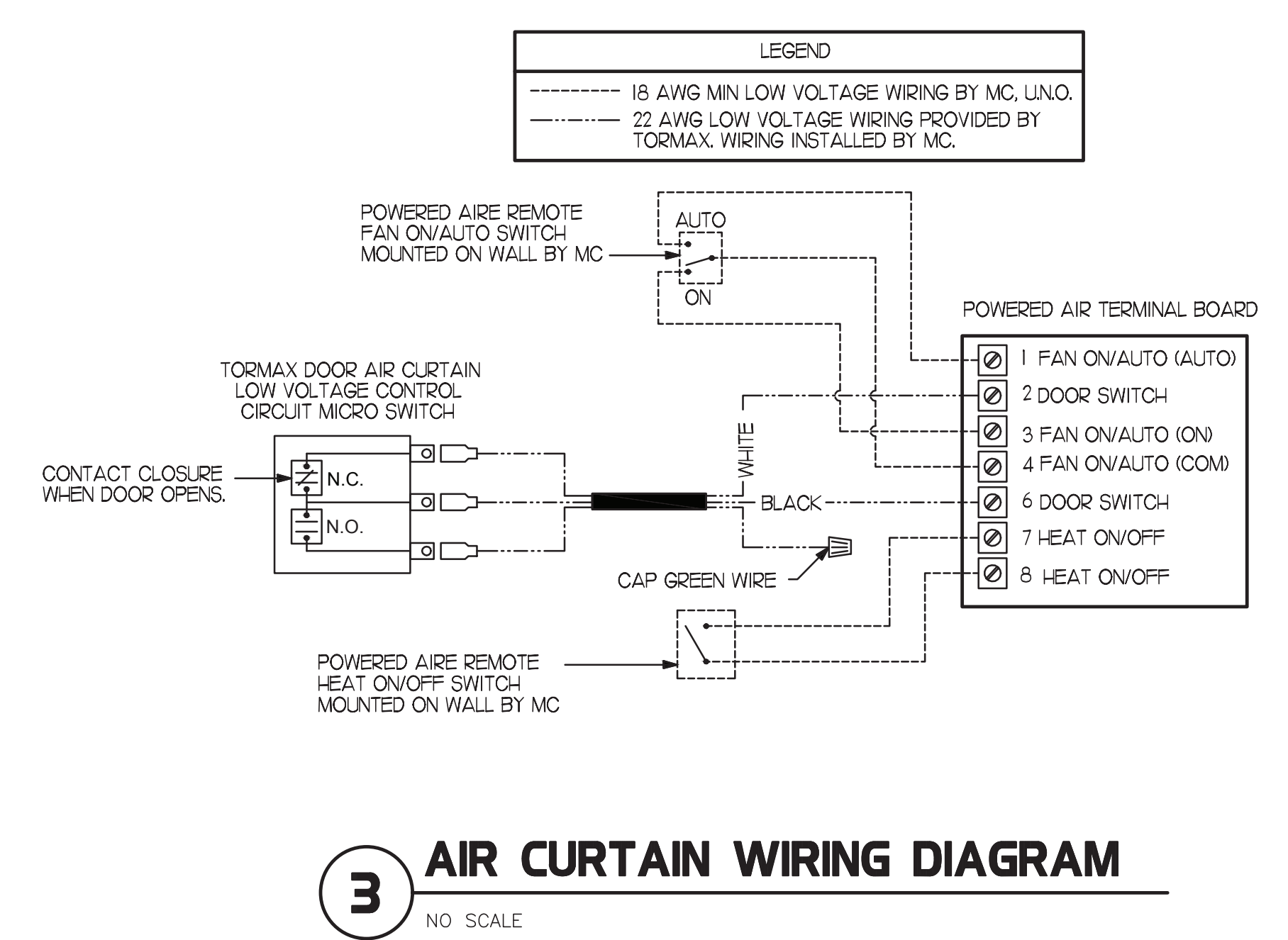


**1 AIR CURTAIN AND AIR DIVERTER BOX MOUNTING**  
NO SCALE

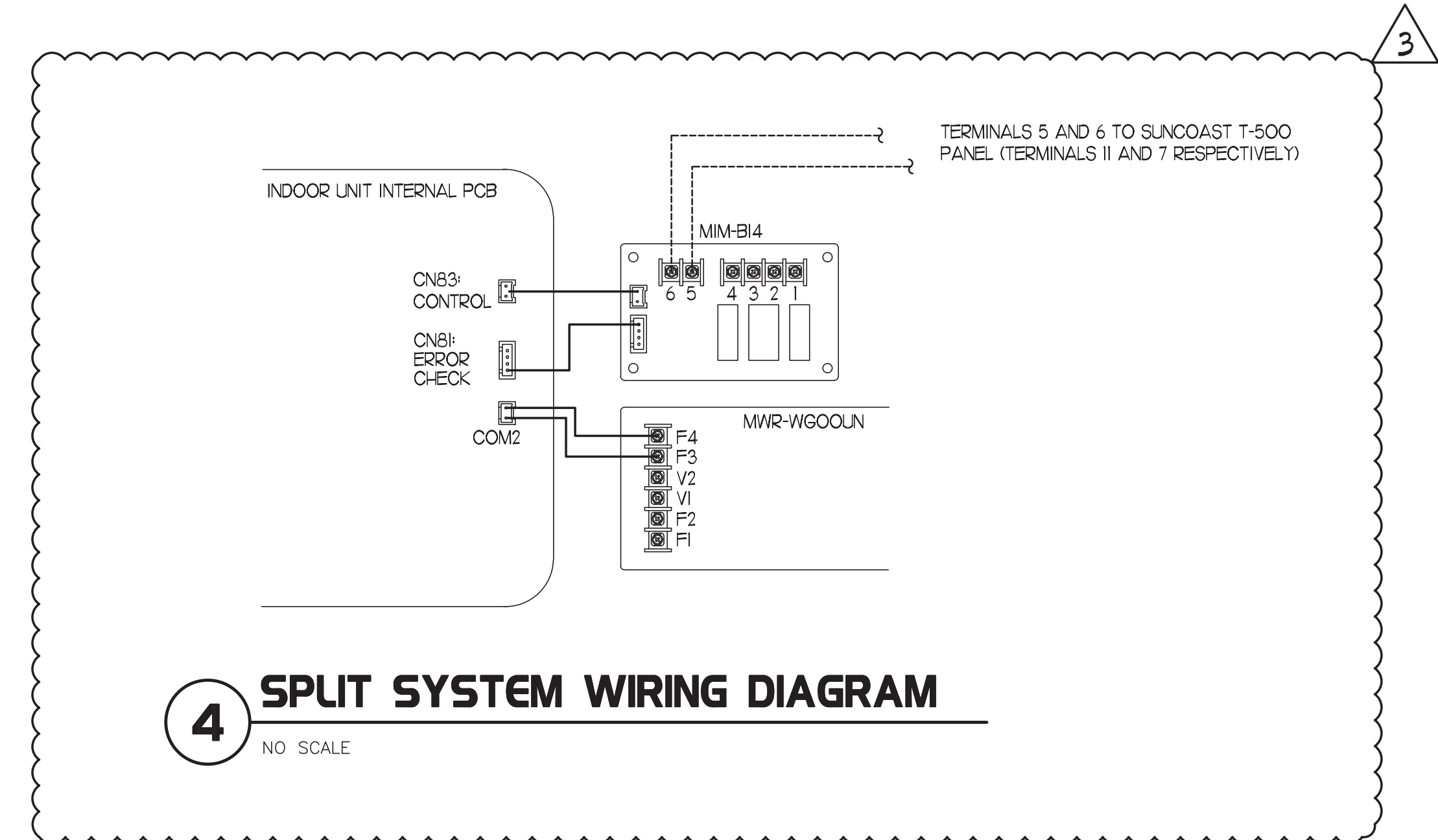


- NOTES:**
- 1) ALL CONSTRUCTION TO MEET ALUMINUM ASSOCIATION SPECS.
  - 2) VIBRATION INSULATOR PADS SHALL BE PROVIDED BY THE A/C CONTRACTOR SO AS NOT TO CAUSE VIBRATION TO EXISTING SUB-STRUCTURE.
  - 3) ALUMINUM EQUIPMENT STAND SUPPORTS AS MANUFACTURED BY AVCOA CORPORATION OF FORT LAUDERDALE, FLA. OR APPROVED EQUAL STANDS SHALL PROVIDE 18" MINIMUM CLEARANCE AND SHALL BE SIZED AND INSTALLED ACCORDING TO THE MANUFACTURERS LOAD CHARTS AND PRINTED INSTALLATION DETAILS. CONTACT: (800) 266-7212
  - 4) STRAP DOWN UNITS WITH 22 GAUGE STRAPS AT 4 CORNERS WITH TEK SCREWS

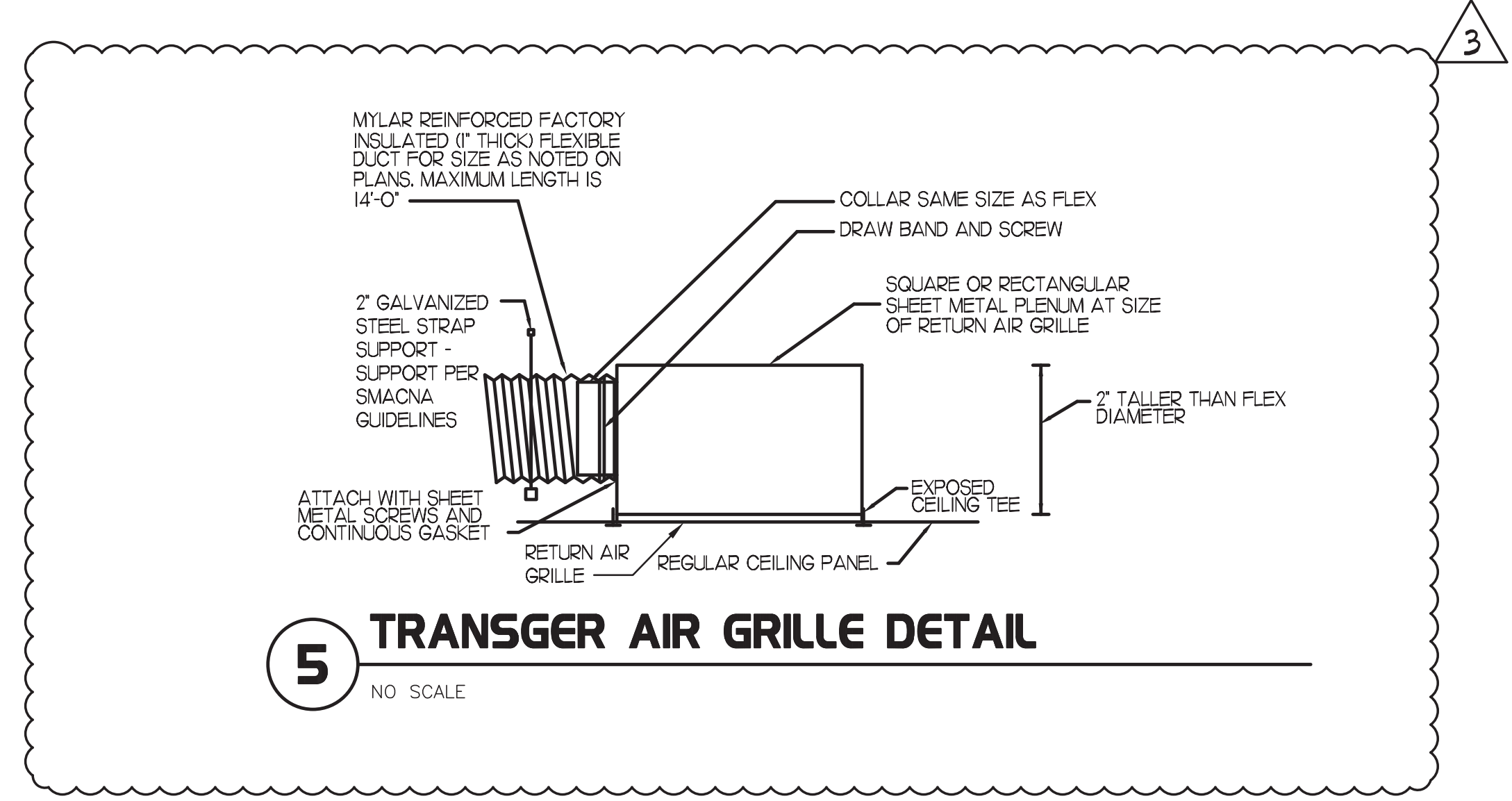
**2 SPLIT SYSTEM CONDENSING UNIT FRAMING SUPPORT DETAIL**  
NO SCALE



**3 AIR CURTAIN WIRING DIAGRAM**  
NO SCALE



**4 SPLIT SYSTEM WIRING DIAGRAM**  
NO SCALE



**5 TRANSFER AIR GRILLE DETAIL**  
NO SCALE

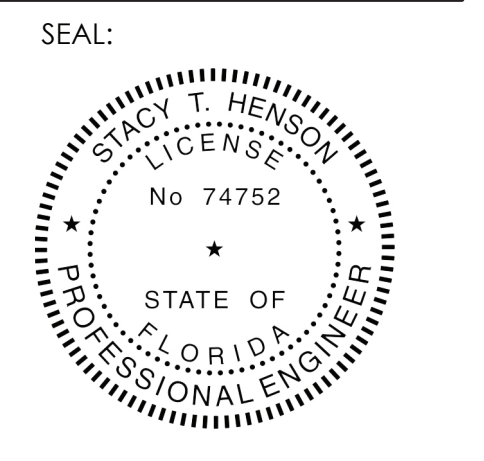


**Chick-fil-A**  
Chick-fil-A  
5200 Buffington Road  
Atlanta, Georgia  
30349-2998

**INTERPLAN**  
INTERPLAN LLC  
AR99238  
CA 8660

**ARCHITECTURE**  
ENGINEERING  
PERMITTING

220 E. CENTRAL PKWY, STE 4000  
ALFAMONTE SPRINGS, FL 32701  
407.645.5038



This item has been digitally signed and sealed by Shery Henson on the date adjacent to the seal. Printed copies of this document are not considered signed and sealed and the signature must be verified on any electronic copies.

**CHICK-FIL-A**  
SOUTHCHASE PLAZA  
13085 S Orange Blossom Trail  
Orlando  
FL 32837

**FSU#01128**

BUILDING TYPE / SIZE: S97-100  
RELEASE: -  
PRINTED FOR: CONSTRUCTION

REVISION SCHEDULE		
NO.	DATE	DESCRIPTION
01	09/23	ISSUE FOR BIDDING

CONSULTANT PROJECT # 2021.0065  
DATE January 2023  
DRAWN BY AE  
CHECKED BY DAK  
Information contained on this drawing and all digital files produced for above named project may not be reproduced in any manner without express written or verbal consent from authorized project representatives.

SHEET MECHANICAL DETAILS  
SHEET NUMBER  
**M4.2**

