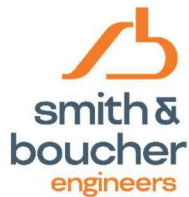


Submittal #233416-03.2 - CENTRIFUGAL HVAC FANS - Product Data 233416 - CENTRIFUGAL HVAC FANS

Revision	2	Submittal Manager	Connor Galloway (McCownGordon Construction, LLC)
Status	In Review	Date Created	Mar 22, 2023
Issue Date	Mar 22, 2023	Spec Section	233416 - CENTRIFUGAL HVAC FANS
Responsible Contractor	Temp-Con, LLC	Received From	
Received Date		Submit By	
Final Due Date	Apr 7, 2023	Lead Time	
Sub Job		Cost Code	
Location		Type	Product Data
Approvers	Connor Galloway (McCownGordon Construction, LLC), Construction Admin (Hoefer Welker, LLC)		
Ball in Court	Connor Galloway (McCownGordon Construction, LLC)		
Distribution	Alex Gerhart (Hoefer Welker, LLC)		



- Reviewed no exceptions.
- Make corrections noted; resubmittal not required.
- Make corrections noted; revise and resubmit indicated items only.
- Revise and resubmit entire submittal.
- Reviewed for coordination/information only; refer to comments if any.

es, and accessories for each type of product indicated and include the

Review of this submittal is only for general conformance with the design concept of the project and-for general compliance with those portions of the Contract Documents prepared by Smith & Boucher. Notes, corrections or comments made on the submittals during this review do not relieve the Contractor from responsibility for: Compliance with the requirements of the plans and specifications; Dimensions to be confirmed and correlated at the jobsite; Information that pertains solely to the fabrication processes or to the means, methods, techniques, sequences and procedures of construction; Coordination of the Work with that of all other trades; Assemblies of which a specific reviewed item is a component; and performance of all work in a safe and satisfactory manner.

Received: **03/27/2023 8:50:35 AM**

Returned: **04/06/2023** By: **Kevin Pearson**

Project **07-1803** Submittal No. **233416-3.2**

REVIEWED ONLY

Contractor's review is for general compliance with the information provided in the Contract Documents and for general conformance with the design concept of the project. Any action noted herein is subject to the requirements set forth in the Contract Documents. Subcontractor/Supplier is responsible for all dimensions which shall be confirmed at the jobsite; all fabrication processes and techniques of construction; the coordination of Subcontractor's work with that of all other trades, and the performance of Subcontractor's work in accordance with the Contract Documents

McCownGordon Construction

cgalloway 8:25:38 AM 03/24/2023

Response	Attachments
Submitted	33145 Grain Valley Roof Fan Submittal r2.pdf (Current)
Pending	
Pending	



- Approved**
- Approved as corrected**
- Approved as corrected/ Partial resubmittal required (see attached comment sheet)**
- Rejected**
- Revise and resubmit**
- Not reviewed/not a required submittal**
- No action taken**

This review is only for general conformance with the design concept of the project and general compliance with the information provided in the Contract Documents. Corrections or comments made on the shop drawings during this review do not relieve the contractor from compliance with the requirements of the plans, specifications, and other contract documents. Approval of a specific item shall not include approval of an assembly of which the items is a component. Contractor is responsible for the following: dimensions to be confirmed and correlated at the job site; information that pertains solely to the fabrication process or to the means, methods, techniques, sequences, and procedures of construction; coordination for the work with that of all other trades; and performing all work in a safe and satisfactory manner.

Submittal No: **233416-03B**
Date: **04/07/2023**
By: **PQ**



Jorban-Riscoe Associates

9808 Alden Street

Lenexa, KS 66215

(913)438-1244 Phone * (913)438-6548 Fax

www.jorban-riscoe.com

SUBMITTAL

Re-Submittal 2

Grain Valley Police

JRA Job #: KJ - 33145

Temp Con

EF-3 RESUBMITTAL APPROVED

Engineer: Smith & Boucher, Inc

Architect:

Specification Section: 233416

Manufacturer: Greenheck

Equipment: Exhaust Fans

Comments:

Presented per our interpretation of the specified section by:

Matt Warren

JRA Project Manager

Office Phone: (913) 428-2729

Mobile Phone: (913) 609-4127

Email Address: mattwarren@jorban-riscoe.com

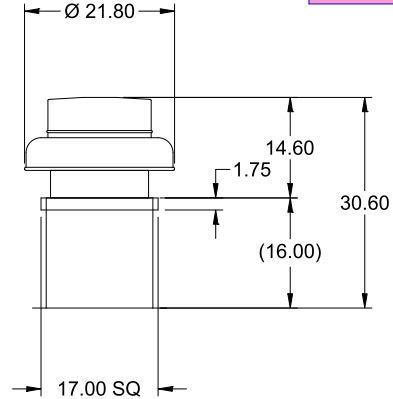
Approval

Please return one (1) set of submittals stamped or signed "Approved as Submitted", or "Approved as Noted" to Jorban-Riscoe.

All equipment submitted herein will be the basis for ordering and shipping of equipment to the customer's designated location. It is the CUSTOMER's responsibility to advise Jorban-Riscoe of any changes in quantities, sizes, performance requirements, etc. ALL CHANGES to these submittals will need to be communicated in writing to Jorban-Riscoe when returning these submittals.

Model: G-095-VG

Direct Drive Centrifugal Roof Exhaust Fan



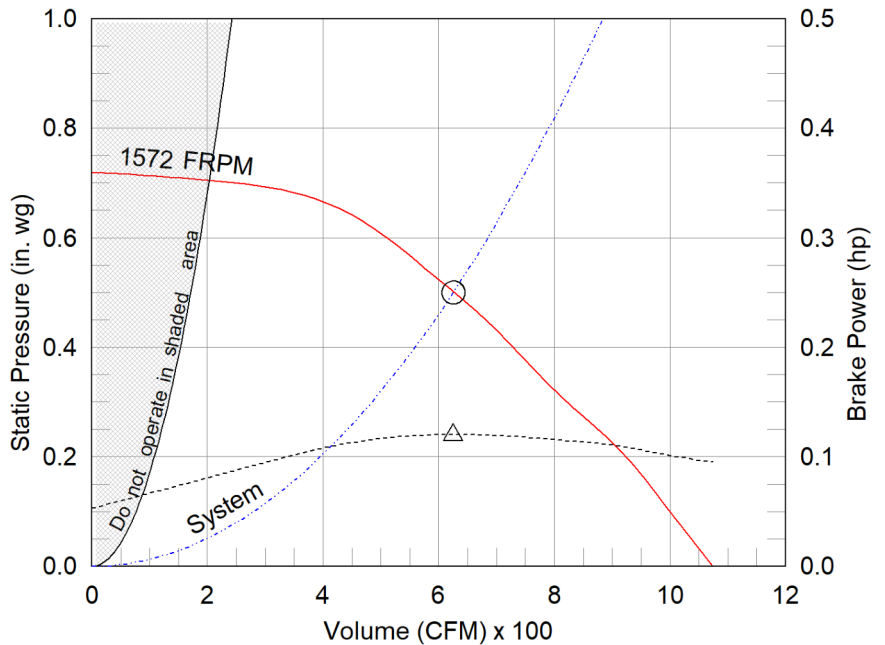
OVERALL HEIGHT MAY BE GREATER DEPENDING ON MOTOR, ADAPTER, AND/OR HINGE BASE.

Dimensional	
Quantity	1
Weight w/o Acc's (lb)	28
Weight w/ Acc's (lb)	34
Weight w/ Acc's and Curb (lb)	55
Standard Curb Cap Size (in.)	17 x 17
Optional Damper (in.)	10 x 10
Roof Opening (in.)	13.5 x 13.5

Performance	
Requested Volume (CFM)	625
Actual Volume (CFM)	625
Total External SP (in. wg)	0.5
Fan RPM	1572
Operating Power (hp)	0.12
Elevation (ft)	1,096
Airstream Temp.(F)	70
Air Density (lb/ft3)	0.072
Tip Speed (ft/min)	4,475
Static Eff. (%)	41

Misc Fan Data	
Fan Eff. Index (FEI)	-
Outlet Velocity (ft/min)	539

Motor	
Motor Mounted	Yes
Size (hp)	1/6
Voltage/Cycle/Phase	115/60/1
Enclosure	TENV
Motor RPM	1725
Efficiency Rating	High
Windings	1
FLA (Amps)	2.2
Min. Circuit Ampacity (MCA)	3
Max. Overcurrent Protection (MOP)	15
Short Circuit Current Rtg (SCCR)	5 kA



- △ Operating Bhp point
- Operating point at Total External SP
- Fan curve
- - - System curve
- Brake horsepower curve

Notes:

All dimensions shown are in units of in.
*NEC FLA, MCA and MOP are for reference only – based on tables 430.248 or 430.25 of National Electric Code 2020. Actual motor FLA may vary, for sizing thermal overload, consult factory.
MCA and MOP values shown only account for the motor, not accessories (damper actuator, field supplied VFD, etc).
LwA - A weighted sound power level, based on ANSI S1.4 dBA - A weighted sound pressure level, based on 11.5 dB attenuation per Octave band at 5 ft - dBA levels are not licensed by AMCA International
Sones - calculated using ANSI/AMCA 301 at 5 ft

Sound Power by Octave Band

Sound Data	62.5	125	250	500	1000	2000	4000	8000	LwA	dBA	Sones
Inlet	81	79	71	64	62	57	47	46	69	58	9.4



Model: G-095-VG

Direct Drive Centrifugal Roof Exhaust Fan

Standard Construction Features:

- Aluminum housing - Backward inclined composite (sizes 60-95) or aluminum (sizes 97-300) wheel - Aluminum curb cap with prepunched mounting holes - Birdscreen - Ball bearing motors (sizes 85-300 and all Vari Green), sleeve bearing motors (sizes 60-80) - Motor isolated on shock mounts - Corrosion resistant fasteners

Selected Options & Accessories:

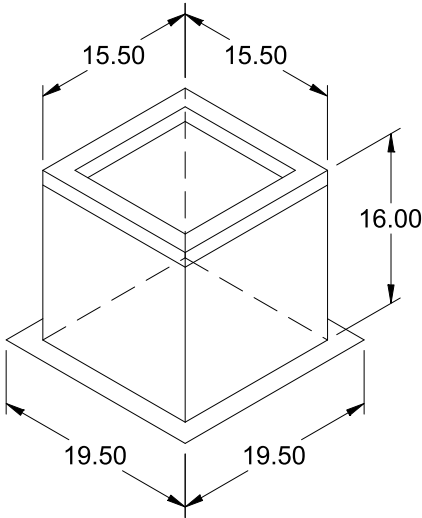
Motor - Vari-Green EC motor
Control - Dial for balancing
Standard Curb Cap Size - 17 Square
UL/cUL 705 Listed - "Power Ventilators"
Switch, NEMA-1, Toggle, Shipped with Unit
Junction Box Mounted & Wired
Birdscreen: Galvanized, nom. 84% Free Area
Composite Wheel Material
Unit Warranty: 1 Yr (Standard)
Damper Shipped Loose, BD-100-PB-10X10, Gravity Operated, Not Coated

Selected Sub Marks

See individual submittals for full details
GPI-17-G16

The Vari-Green Motor included in this order has a 'Multi-Voltage' ability. The red wire on the motor is called a 'Voltage Doubler', and when it is connected the motor can be powered by 115V.

If the Red wire is disconnected, then the motor can be powered with 208-230/277V. The motor will leave the factory with the voltage doubler wired per the order.



Model: GPI

Roof Curb

Standard Construction Features:

- Roof Curb fits between the building roof and the fan mounted directly to the roof support structure - Constructed of either 18 ga galvanized steel or 0.064 in. aluminum - Straight Sided without a cant - 2 in. mounting flange - 3 lb density insulation - Height - Available from 12 in. to 42 in. as specified in 0.5 in. increments. Notes: - The maximum roof opening dimension should not be greater than the "Actual" top outside dimension minus 2 in.. - The minimum roof opening dimension should be at least 2.5 in. more than the damper dimension or recommended duct size. - The Roof Opening Dimension may or may not be the same as the Structural Opening Dimension. - Damper Tray is optional and must be specified. Tray size is same as damper size. - Security bars are optional and must be specified. Frames and gridwork are all 12 ga steel. Gridwork is welded to the frame and the frame is welded to the curb.

General

Tag	Qty	Model	Sizing Method	Undersizing (in.)	Weight (lb)	Shipped Assembled	Union Label
	1	GPI-17	Nominal	1.5	21	Yes	No Preference

Dimensions

Curb Height (in.)	Nominal Outside Width (in.)	Nominal Outside Length (in.)	Actual Outside Width (in.)	Actual Outside Length (in.)	Actual Inside Width (in.)	Actual Inside Length (in.)	Flange Width (in.)	Flange Length (in.)	Hinge Base Width* (in.)	Hinge Base Length* (in.)
16	17	17	15.5	15.5	12	12	19.5	19.5	16	16

*May not be applicable

Accessories

Material	Security Bars	Liner	Insulation (in.)	Insulation R Value
Galvanized	No	No	1	R4.3