









STORE NO.: 4102  
 FERN CREEK  
 7710 BARDSTOWN ROAD  
 LOUISVILLE, KY 40291

Issue Record:	CD COMPLETE
12/20/21	
03/18/22	BID SET

Revisions:

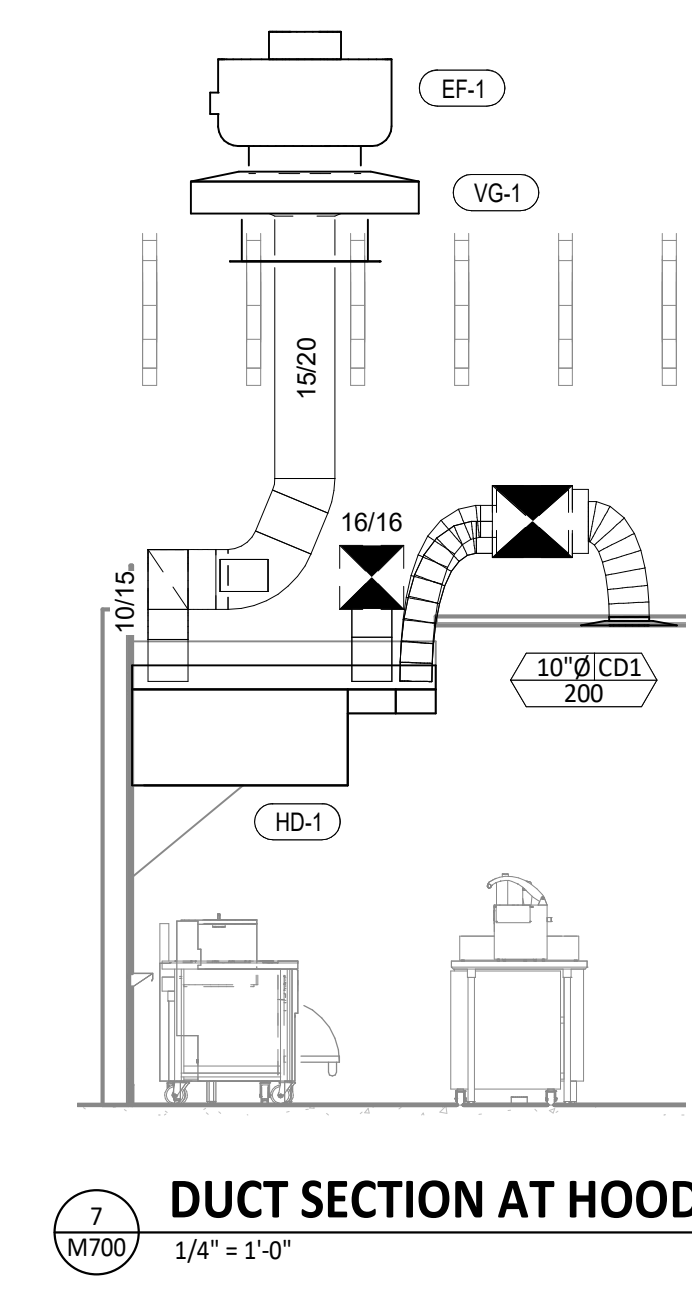
Drawn: CJK  
 Checked: JEJ

Project No:  
 2101036

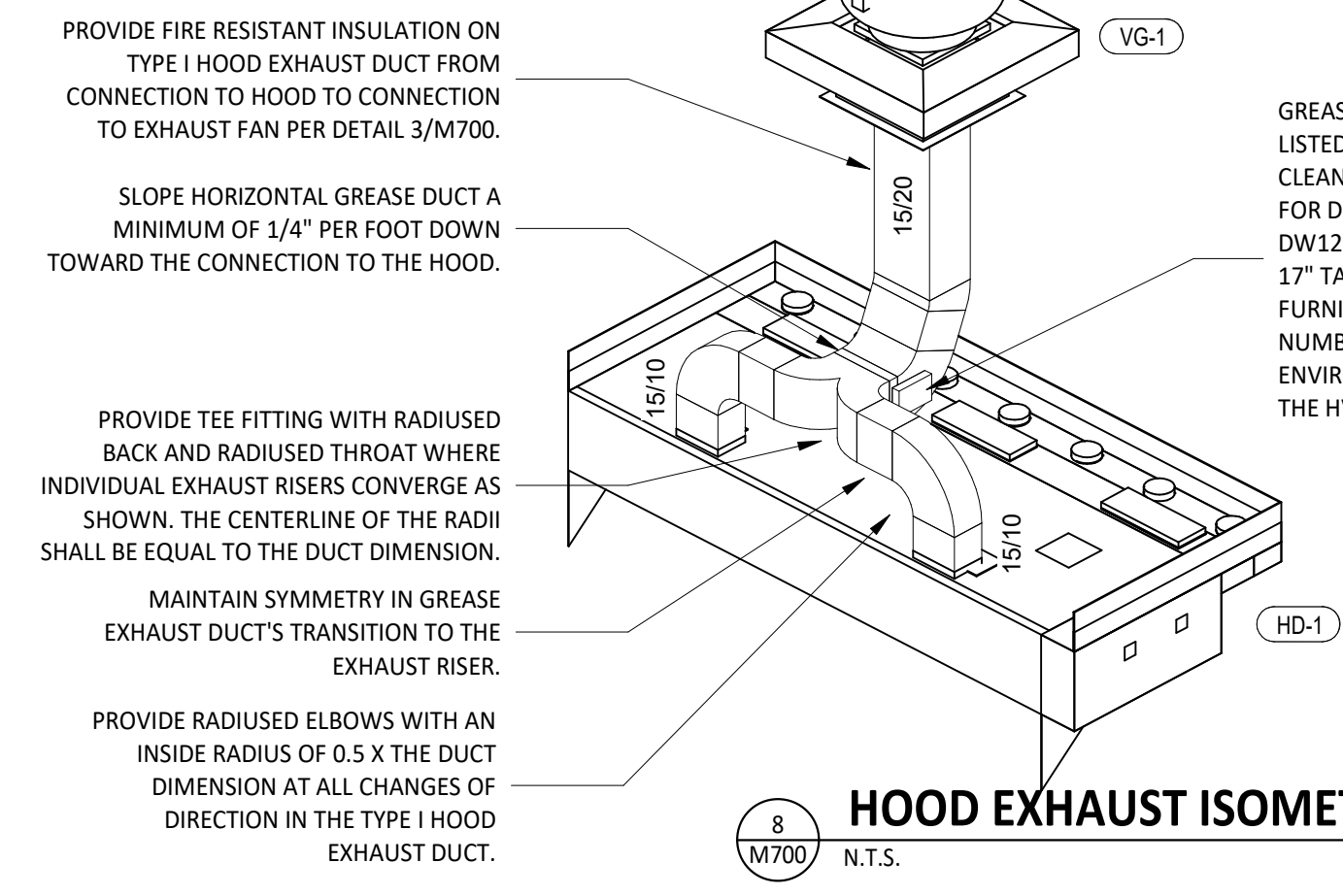
Contents:

HVAC DETAILS

M700

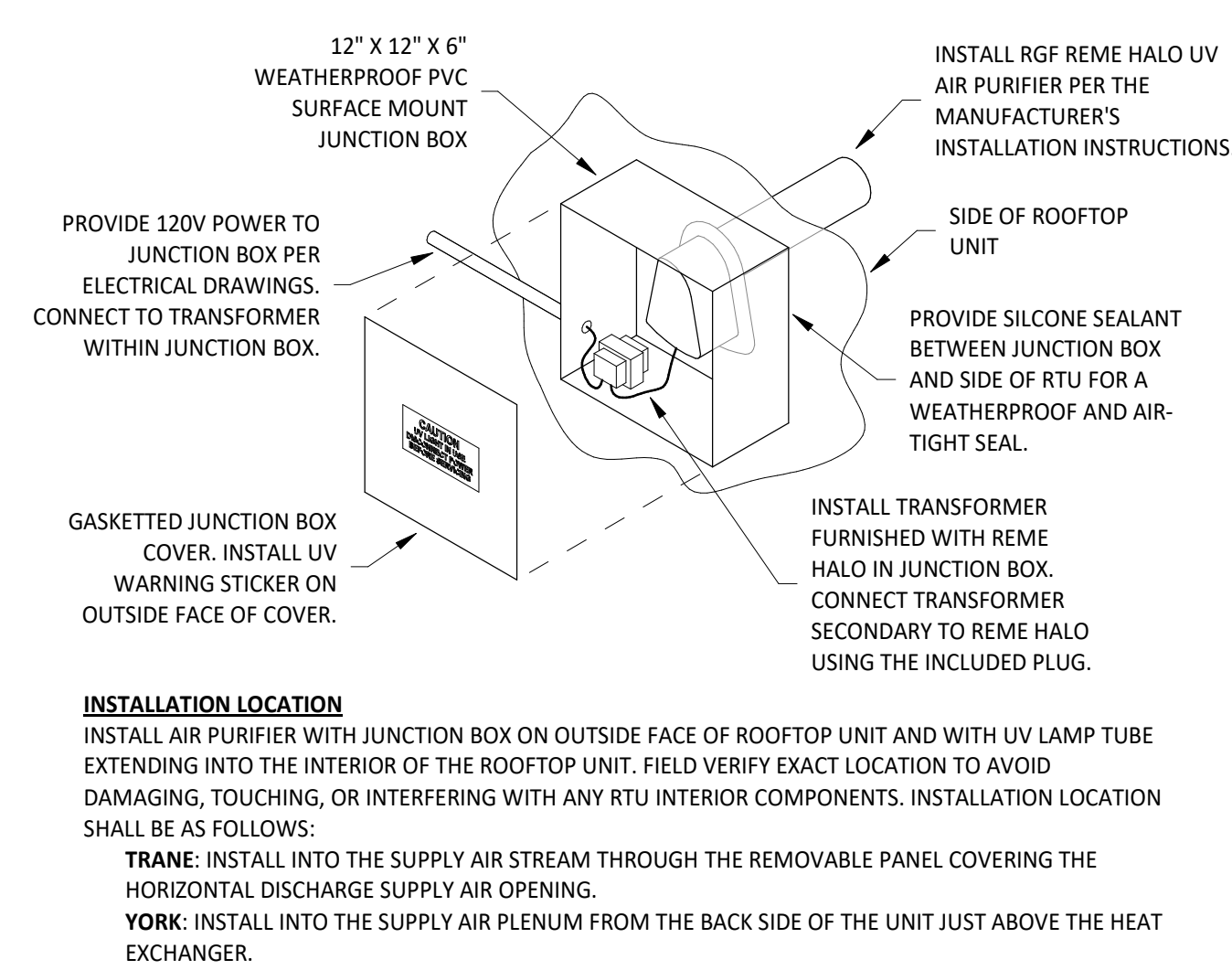


7 DUCT SECTION AT HOOD  
 1/4" = 1'-0"



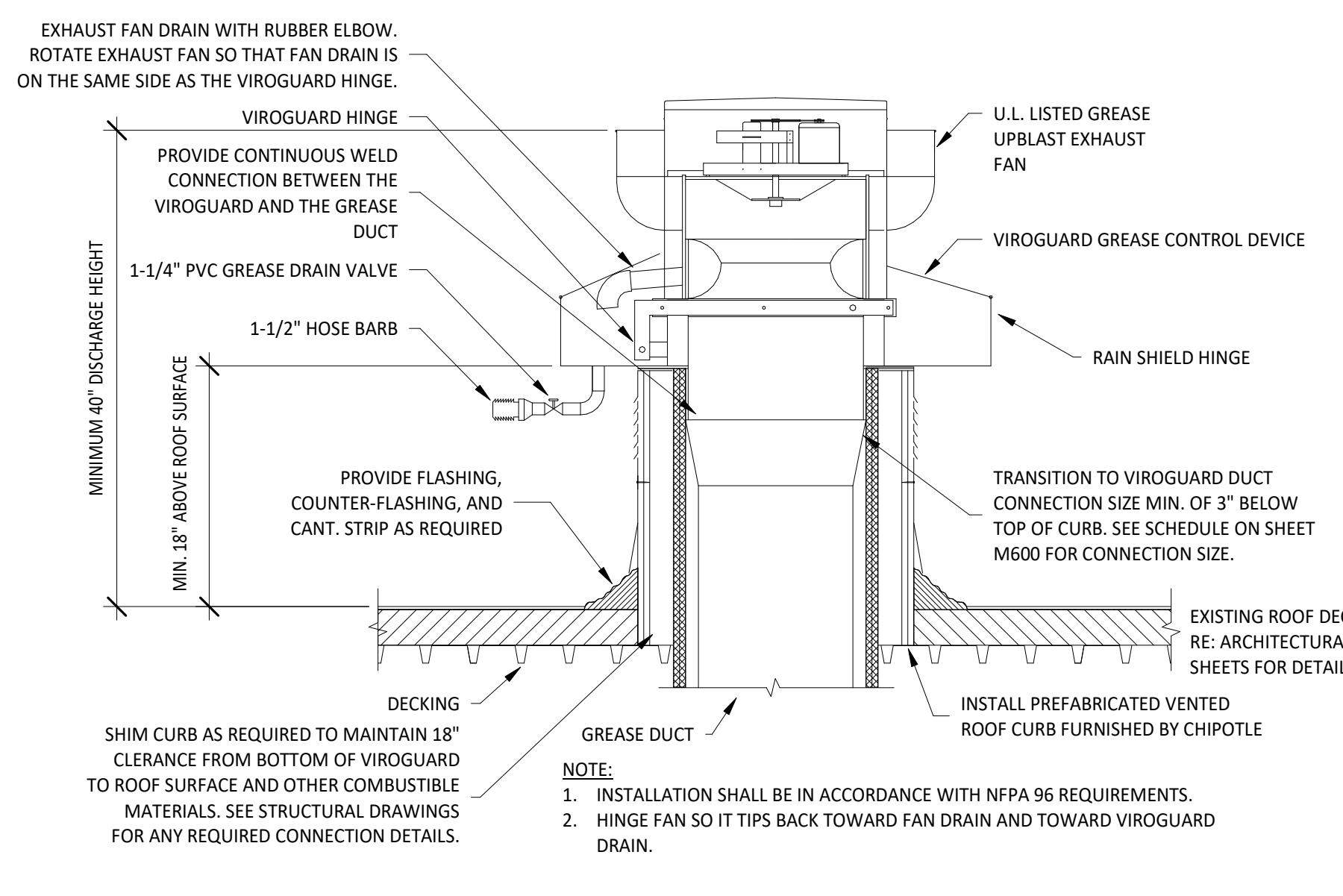
8 HOOD EXHAUST ISOMETRIC  
 N.T.S.

GREASE DUCT CLEANOUTS SHALL BE UL-LISTED DUCTMATE PREINSULATED CLEANOUT DOORS MODEL D128ULWSBI FOR DUCTS AT LEAST 17" TALL AND DW128ULWSBI FOR DUCTS LESS THAN 17" TALL. CLEANOUTS SHALL BE FURNISHED BY TENANT. COORDINATE NUMBER AND SIZE REQUIRED WITH ENVIROMATIC. INSTALL AS SHOWN IN THE HVAC FLOOR PLAN.



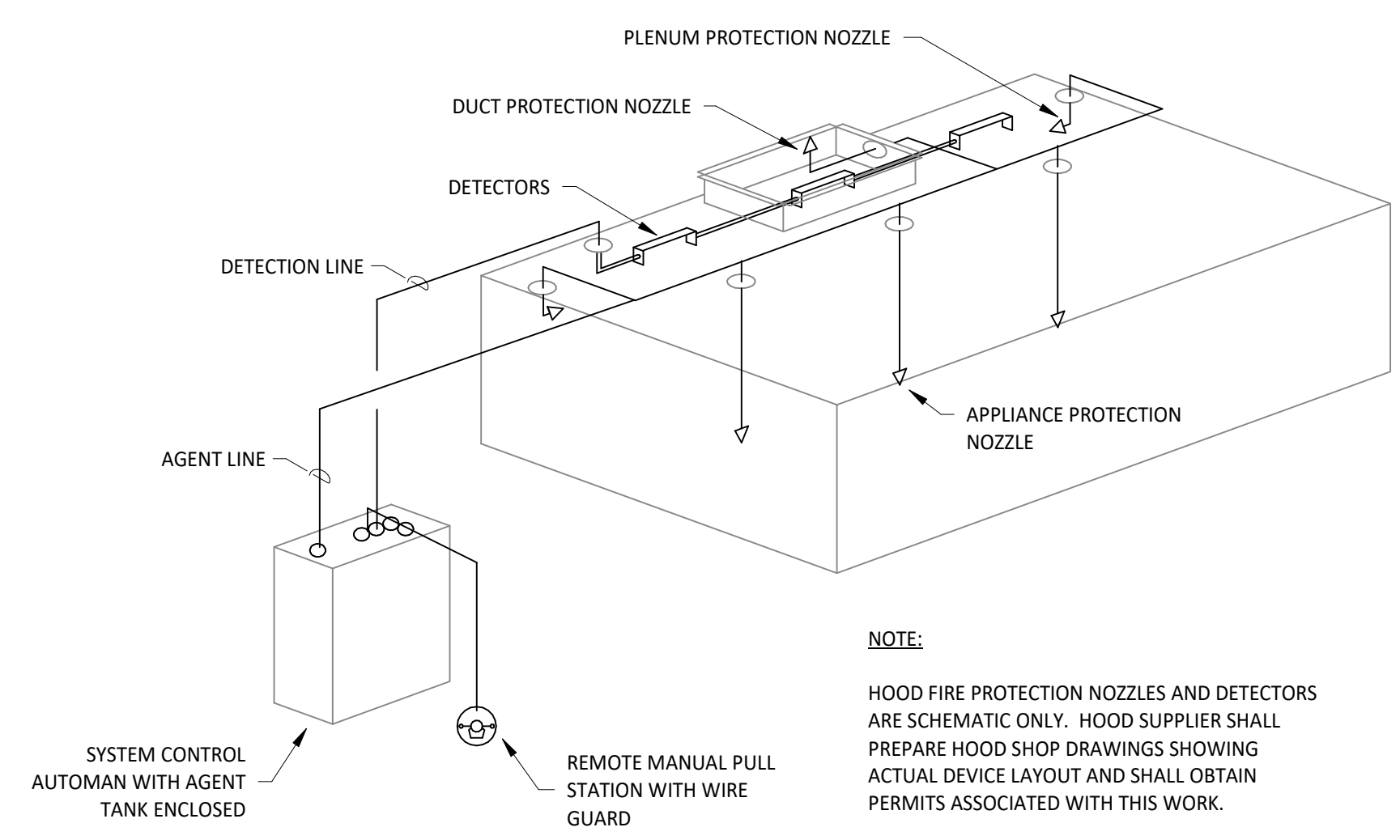
6 UV AIR PURIFIER INSTALLATION  
 N.T.S.

**INSTALLATION LOCATION**  
 INSTALL AIR PURIFIER WITH JUNCTION BOX ON OUTSIDE FACE OF ROOFTOP UNIT AND WITH UV LAMP TUBE EXTENDING INTO THE INTERIOR OF THE ROOFTOP UNIT. FIELD VERIFY EXACT LOCATION TO AVOID DAMAGING, TOUCHING, OR INTERFERING WITH ANY RTU INTERIOR COMPONENTS. INSTALLATION LOCATION SHALL BE AS FOLLOWS:  
**FRAME:** INSTALL INTO THE SUPPLY AIR STREAM THROUGH THE REMOVABLE PANEL COVERING THE HORIZONTAL DISCHARGE SUPPLY AIR OPENING.  
**WORK:** INSTALL INTO THE SUPPLY AIR PLENUM FROM THE BACK SIDE OF THE UNIT JUST ABOVE THE HEAT EXCHANGER.



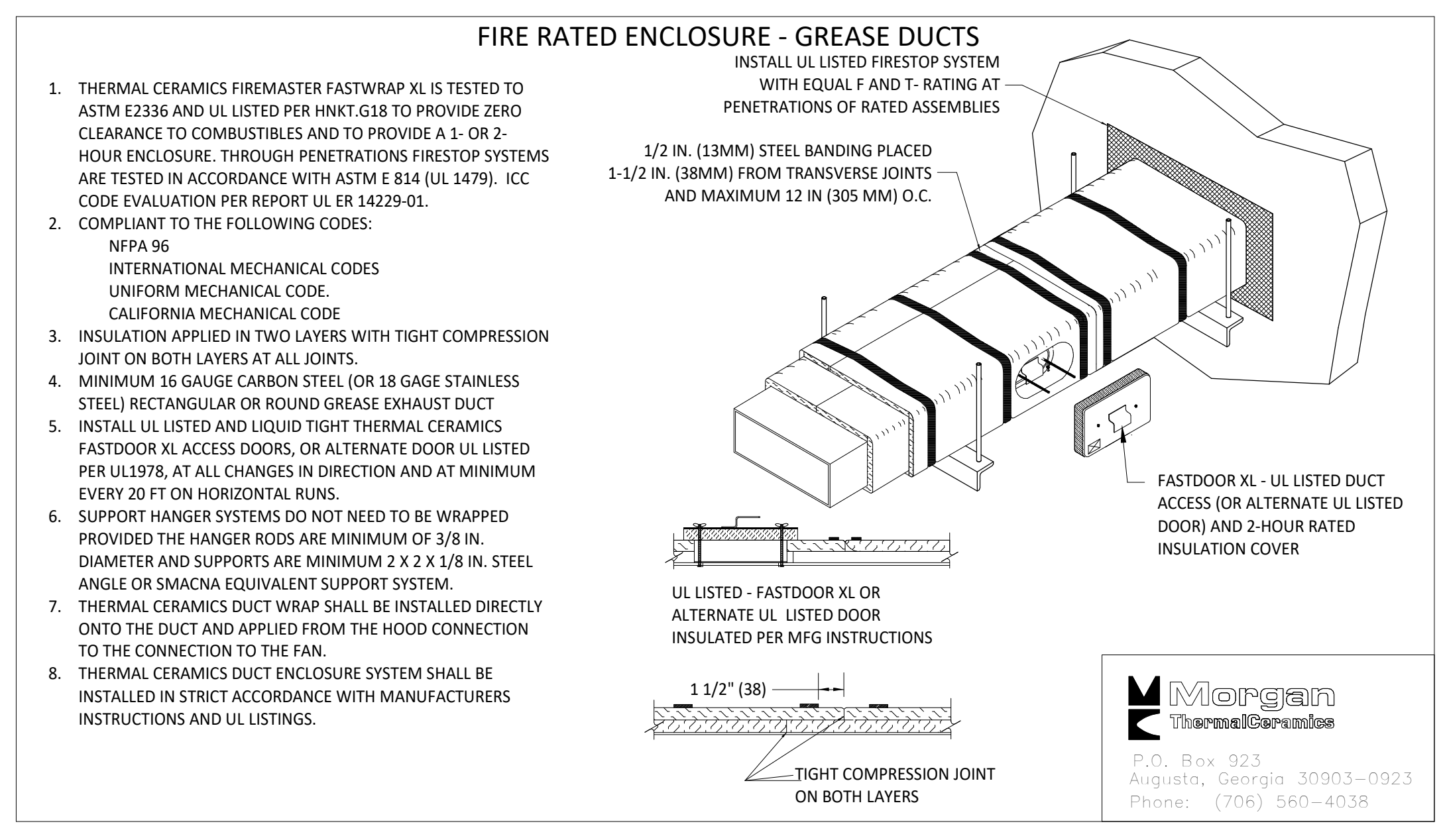
5 GREASE EXHAUST FAN  
 N.T.S.

**NOTE:**  
 1. INSTALLATION SHALL BE IN ACCORDANCE WITH NFPA 96 REQUIREMENTS.  
 2. HINGE FAN SO IT TIPS BACK TOWARD FAN DRAIN AND TOWARD VIROGUARD DRAIN.



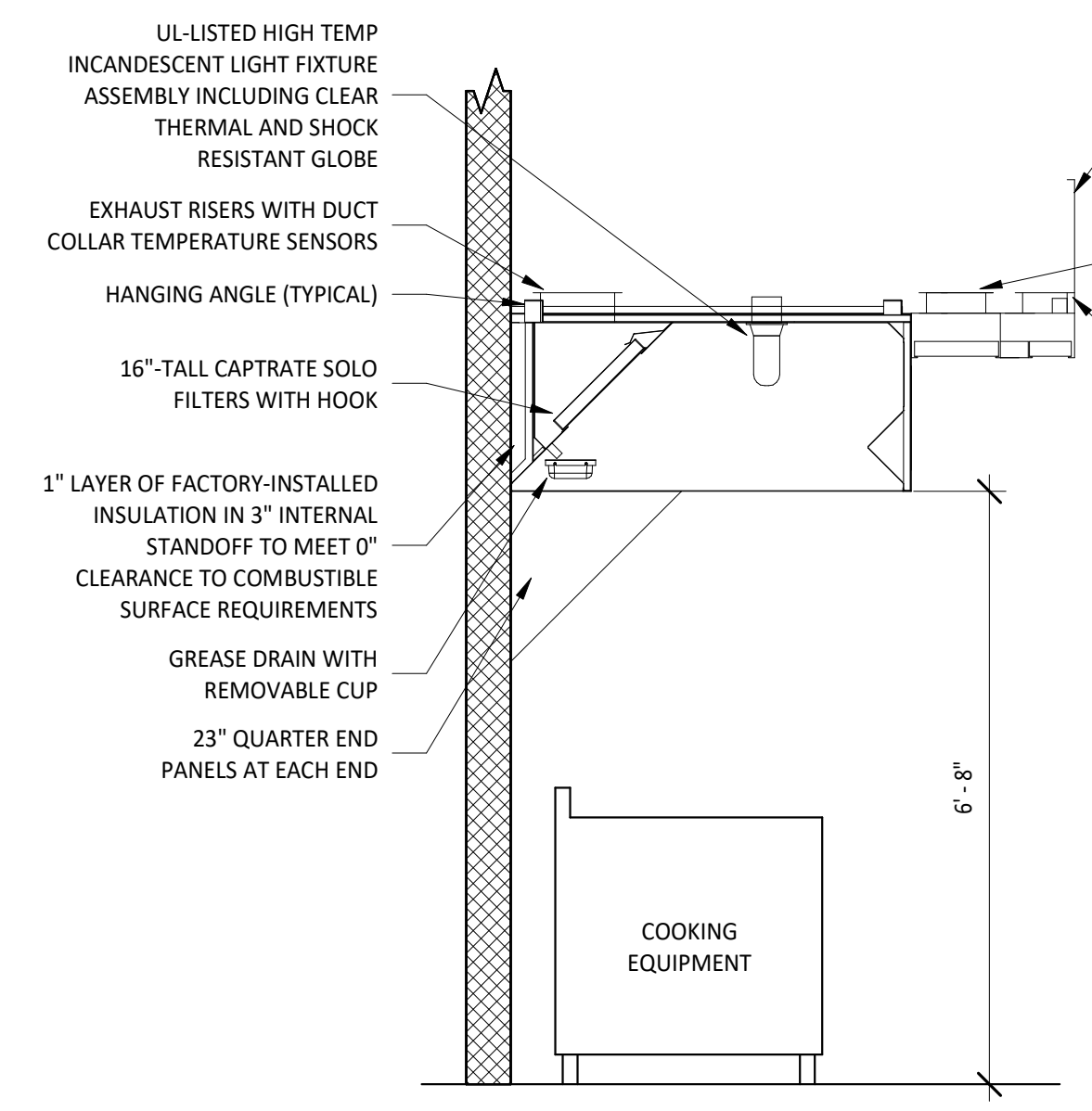
4 FIRE SUPPRESSION SYSTEM SCHEMATIC  
 N.T.S.

**NOTE:**  
 HOOD FIRE PROTECTION NOZZLES AND DETECTORS ARE SCHEMATIC ONLY. HOOD SUPPLIER SHALL PREPARE HOOD SHOP DRAWINGS SHOWING ACTUAL DEVICE LAYOUT AND SHALL OBTAIN PERMITS ASSOCIATED WITH THIS WORK.



3 FIREMASTER DUCT WRAP - UL HNKT-G18  
 N.T.S.

1. THERMAL CERAMICS FIREMASTER FASTWRAP XL IS TESTED TO ASTM E2336 AND UL LISTED PER HNKT-G18 TO PROVIDE ZERO CLEARANCE TO COMBUSTIBLES AND TO PROVIDE A 1- OR 2-HOUR ENCLOSURE. THROUGH PENETRATIONS FIRESTOP SYSTEMS ARE TESTED IN ACCORDANCE WITH ASTM E 814 (UL 1479). ICC CODE EVALUATION PER REPORT UL ER 14229-01.
2. COMPLIANT TO THE FOLLOWING CODES:  
 NFPA 96  
 INTERNATIONAL MECHANICAL CODES  
 UNIFORM MECHANICAL CODE  
 CALIFORNIA MECHANICAL CODE
3. INSULATION APPLIED IN TWO LAYERS WITH TIGHT COMPRESSION JOINT ON BOTH LAYERS AT ALL JOINTS.
4. MINIMUM 16 GAUGE CARBON STEEL (OR 18 GAGE STAINLESS STEEL) RECTANGULAR OR ROUND GREASE EXHAUST DUCT
5. INSTALL UL LISTED AND LIQUID TIGHT THERMAL CERAMICS FASTDOOR XL ACCESS DOORS, OR ALTERNATE DOOR UL LISTED PER UL1978, AT ALL CHANGES IN DIRECTION AND AT MINIMUM EVERY 20 FT ON HORIZONTAL RUNS.
6. SUPPORT HANGER SYSTEMS DO NOT NEED TO BE WRAPPED PROVIDED THE HANGER RODS ARE MINIMUM OF 3/8 IN. DIAMETER AND SUPPORTS ARE MINIMUM 2 X 2 X 1/8 IN. STEEL ANGLE OR SMACNA EQUIVALENT SUPPORT SYSTEM.
7. THERMAL CERAMICS DUCT WRAP SHALL BE INSTALLED DIRECTLY ONTO THE DUCT AND APPLIED FROM THE HOOD CONNECTION TO THE CONNECTION TO THE FAN.
8. THERMAL CERAMICS DUCT ENCLOSURE SYSTEM SHALL BE INSTALLED IN STRICT ACCORDANCE WITH MANUFACTURERS INSTRUCTIONS AND UL LISTINGS.



2 HOOD SECTION VIEW  
 N.T.S.

- UL-LISTED HIGH TEMP INCANDESCENT LIGHT FIXTURE ASSEMBLY INCLUDING CLEAR THERMAL AND SHOCK RESISTANT GLOBE
- EXHAUST RISERS WITH DUCT COLLAR TEMPERATURE SENSORS
- HANGING ANGLE (TYPICAL)
- 16"-TALL CAPRATRE SOLO FILTERS WITH HOOK
- 1" LAYER OF FACTORY-INSTALLED INSULATION IN 3" INTERNAL STANDOFF TO MEET 0" CLEARANCE TO COMBUSTIBLE SURFACE REQUIREMENTS
- GREASE DRAIN WITH REMOVABLE CUP
- 23" QUARTER END PANELS AT EACH END
- ENCLOSURE PANEL TO BE APPROXIMATELY 2" ABOVE FINISHED CEILING. REFER TO ARCHITECTURAL REFLECTED CEILING PLAN FOR CEILING HEIGHT.
- MUA PLENUM SUPPLY RISERS WITH VOLUME DAMPERS
- AC PLENUM SUPPLY RISERS WITH VOLUME DAMPERS
- SPIN-IN COLLAR WITH MANUAL VOLUME DAMPER
- SUPPORT WITH 1" WIDE STRAP TO STRUCTURE ABOVE
- INSULATED FLEXIBLE DUCT 6'-0" MAX
- PROVIDE THERMAFLEX 90° ELBOW FLEX DUCT SUPPORT
- METAL CLAMP AROUND FLEX DUCT & COLLAR TO BE DRAWN TIGHT & TAPED
- CEILING DIFFUSER PROVIDE SQUARE TO ROUND ADAPTOR AS NEEDED

**NOTE:**  
 1. METHOD OF INSTALLATION FOR AIRTIGHT SEAL IS TYPICAL FOR ALL FLEX CONNECTIONS TO AIR DISTRIBUTION DEVICES.

1 DIFFUSER CONNECTION  
 N.T.S.