

KEY NOTES

- MOUNT REMOTE SENSOR ON WALL AT 5'-0" AFF AND ROUTE WIRING BACK TO SUNCOAST TEMP CONTROL PANEL.
- 8X8 CONNECTION TO HOOD#2 WITH HALTON KED EQUALIZER IN RISER. SEE DWG M21 FOR MORE INFORMATION.
- BRANCH TAKE-OFFS ARE NOT TO BE LOCATED CLOSER THAN 3'-0" FROM THE ELBOW AT THE SUPPLY AIR DROP FROM CURB.
- MOUNT LENNOX HUMIDITY SENSOR ON WALL ABOVE SPACE TEMP SENSOR AND ROUTE WIRING TO UNIT ON ROOF.
- MOUNT REMOTE SENSOR FOR PLAYGROUND WITHIN 6" OF CEILING NEAR THE RETURN AIR GRILLES. ROUTE WIRING BACK TO SUNCOAST TEMP CONTROL PANEL.
- TRANSITION IN VERTICAL DROP FROM FULL SIZE OF CURB OPENING TO SIZE SHOWN. PROVIDE TURNING VANES IN ELBOW.
- TRANSITION IN VERTICAL DROP FROM FULL SIZE OF CURB OPENING TO SIZE SHOWN. NO TURNING VANES IN ELBOW.
- VERTICAL DUCT DROP TO BE FULL SIZE OF CURB OPENING. TERMINATE DUCT 0'-8" ABOVE CEILING.
- INSTALL SHEET METAL SLEEVE AROUND DUCT WRAP AT SECTION OF DROP BETWEEN UPPER AND LOWER CEILING TO HIDE DUCT WRAP. SAND/DECREASE GALVANIZED SHEET METAL AND PAINT FLAT WHITE. CEILING TILE AT UPPER CEILING TO BE CUT TO FIT AROUND DUCT DROP. SEE ARCHITECTURAL RCP FOR FLOATING CEILING DETAIL.
- WHEN SETTING CURBS ALLOW ENOUGH SEPARATION BETWEEN CURBS SO AS TO MAINTAIN 0'-6" BETWEEN THE FAN WINDBAND HOUSINGS.
- H-10-275, SURFACE MOUNT TO CEILING. PROVIDE HARD ROUND CONNECTION AT DIFFUSER NECK AND STRAP TO STRUCTURE ON TWO SIDES.
- MECHANICAL CONTRACTOR TO ADJUST PATTERN DEFLECTORS TO THROW STRAIGHT DOWN.
- AIR CURTAIN MOUNTED OVER DOOR HEADER AT 7'-5" AFF TO BOTTOM OF UNIT. LOCATE PLUNGER TYPE MICROSWITCH IN DOOR FRAME ON STRIKE SIDE.
- SEE ELEVATIONS ON M-21 FOR C.J. FAN DUCTING REQUIREMENTS.
- 8X8 CONNECTION TO HOOD#3 WITH HALTON MBD BALANCING DAMPER INSTALLED AT HOOD COLLAR. SEE DWG M21 FOR MORE INFORMATION.
- PROVIDE 8" GALVANIZED COMBUSTION AIR DUCT WITH VENT CAP AND ROOF JACK. LOCATE COMBUSTION AIR DUCT MIN 18" AWAY FROM PARAPET. SEE ARCH ROOF PLAN FOR PARAPET LOCATIONS. ROUTE COMBUSTION AIR DUCT STRAIGHT DOWN AND TERMINATE 8" BELOW CEILING. WRAP DUCT ABOVE CEILING WITH 1/2" BATT INSULATION AND PROVIDE CHROME ESCUTCHEON AT CEILING PENETRATION.

LEGEND

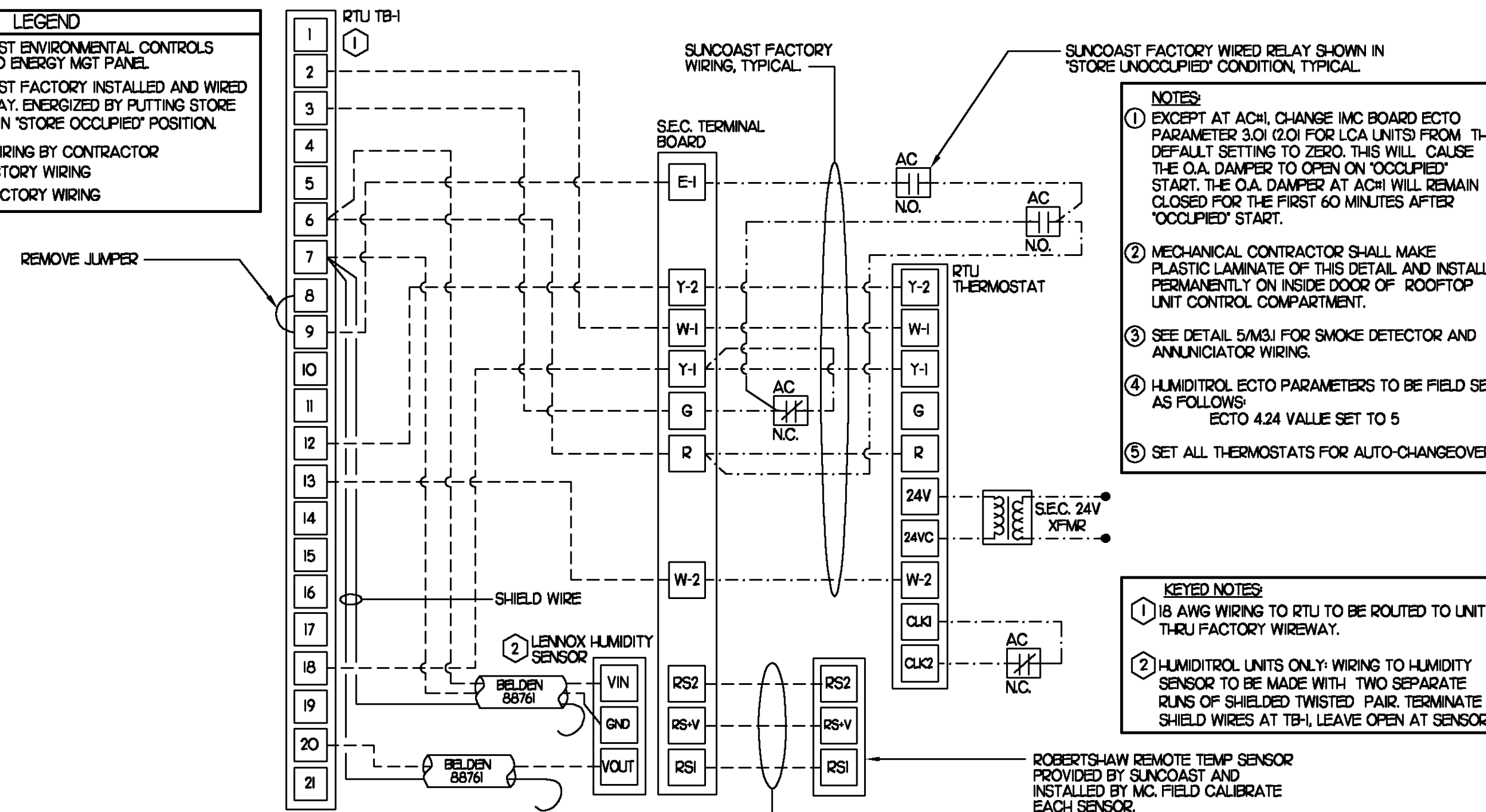
A-12-400	TYPE - NECK SIZE - CFM	EF#1	EXHAUST FAN #1 (TYP)
[Symbol]	SPIN-IN FITTING WITH MANUAL BALANCING DAMPER, WITHOUT SCOOP	ACH#1	AIR CONDITIONING UNIT #1 (TYP)
[Symbol]	SPIN-IN HARD φ FLEXIBLE φ DIFFUSER	[Symbol]	RETURN/EXHAUST (TYP)
(S)	REMOTE TEMPERATURE SENSOR	[Symbol]	SUPPLY DIFFUSER, SQ FACE (TYP)
(H)	HUMIDITY SENSOR	(1)	PLAN NOTE REFERENCE
[Symbol]	SMOKE DETECTOR	[Symbol]	MANUAL VOLUME DAMPER
12X18	DUCT SIZE (REVERSE FOR ELEVATION VIEWS) 1ST NUMBER - HORIZONTAL DIMENSION 2ND NUMBER - VERTICAL DIMENSION	[Symbol]	DIRECTION OF THROW ON DIFFUSER

LENNOX FRESH AIR TEMPERING SETUP

- INSTALL FRESH AIR TEMPERING KIT WIRING HARNESS AS RECOMMENDED BY LENNOX.
- LOCATE SUPPLY AIR TEMPERATURE SENSOR IN SUPPLY DUCT DOWNSTREAM OF FIRST ELBOW. SECURE WIRING TO DUCT OR STRUCTURE WITH RUBBER COATED CLAMPS. DO NOT RUN WIRING INSIDE DUCT WORK. PROTECT ALL WIRING PENETRATIONS WITH RUBBER GROMMETS.
- CHANGE ROOFTOP UNIT ECTO PARAMETER 6.20 TO A VALUE OF 145. THIS WILL PREVENT THE SUPPLY AIR TEMPERATURE FROM DROPPING BELOW 66F DEG DURING HEATING MODE WHEN THERMOSTAT IS NOT ACTIVELY CALLING FOR HEAT. ECTO PARAMETER 6.20 MUST BE CHANGED TO ACTIVATE THE FRESH AIR TEMPERING FEATURE.
- CHANGE ROOFTOP UNIT ECTO PARAMETER 6.21 TO A VALUE OF 21 WHICH WILL MAKE THE DEADBAND VALUE EQUAL 14F.
- CHANGE ROOFTOP UNIT ECTO PARAMETER 6.22 TO A VALUE OF 37 WHICH WILL MAKE THE CYCLE TIME VALUE EQUAL 5 MINUTES.

LEGEND

SEC.	SUNCOAST ENVIRONMENTAL CONTROLS OFA-500 ENERGY MGT PANEL
AC	SUNCOAST FACTORY INSTALLED AND WIRED A/C RELAY, ENERGIZED BY PLUTING STORE SWITCH IN 'STORE OCCUPIED' POSITION
---	18 GA. WIRING BY CONTRACTOR
---	RTU FACTORY WIRING
---	SEC. FACTORY WIRING



- NOTES**
- EXCEPT AT ACH, CHANGE IMC BOARD ECTO PARAMETER 3.01 (2.01 FOR LCA UNITS) FROM THE DEFAULT SETTING TO ZERO. THIS WILL CAUSE THE O.A. DAMPER TO OPEN ON 'OCCUPIED' START. THE O.A. DAMPER AT ACH WILL REMAIN CLOSED FOR THE FIRST 60 MINUTES AFTER 'OCCUPIED' START.
 - MECHANICAL CONTRACTOR SHALL MAKE PLASTIC LAMINATE OF THIS DETAIL AND INSTALL PERMANENTLY ON INSIDE DOOR OF ROOFTOP UNIT CONTROL COMPARTMENT.
 - SEE DETAIL 5/M3J FOR SMOKE DETECTOR AND ANNUNCIATOR WIRING.
 - HUMIDITROL ECTO PARAMETERS TO BE FIELD SET AS FOLLOWS:
ECTO 4.24 VALUE SET TO 5
 - SET ALL THERMOSTATS FOR AUTO-CHANGEOVER.
- KEYED NOTES**
- 18 AWG WIRING TO RTU TO BE ROUTED TO UNIT THRU FACTORY WIREWAY.
 - HUMIDITROL UNITS ONLY: WIRING TO HUMIDITY SENSOR TO BE MADE WITH TWO SEPARATE RUNS OF SHIELDED TWISTED PAIR. TERMINATE SHIELD WIRES AT TB-1. LEAVE OPEN AT SENSOR.

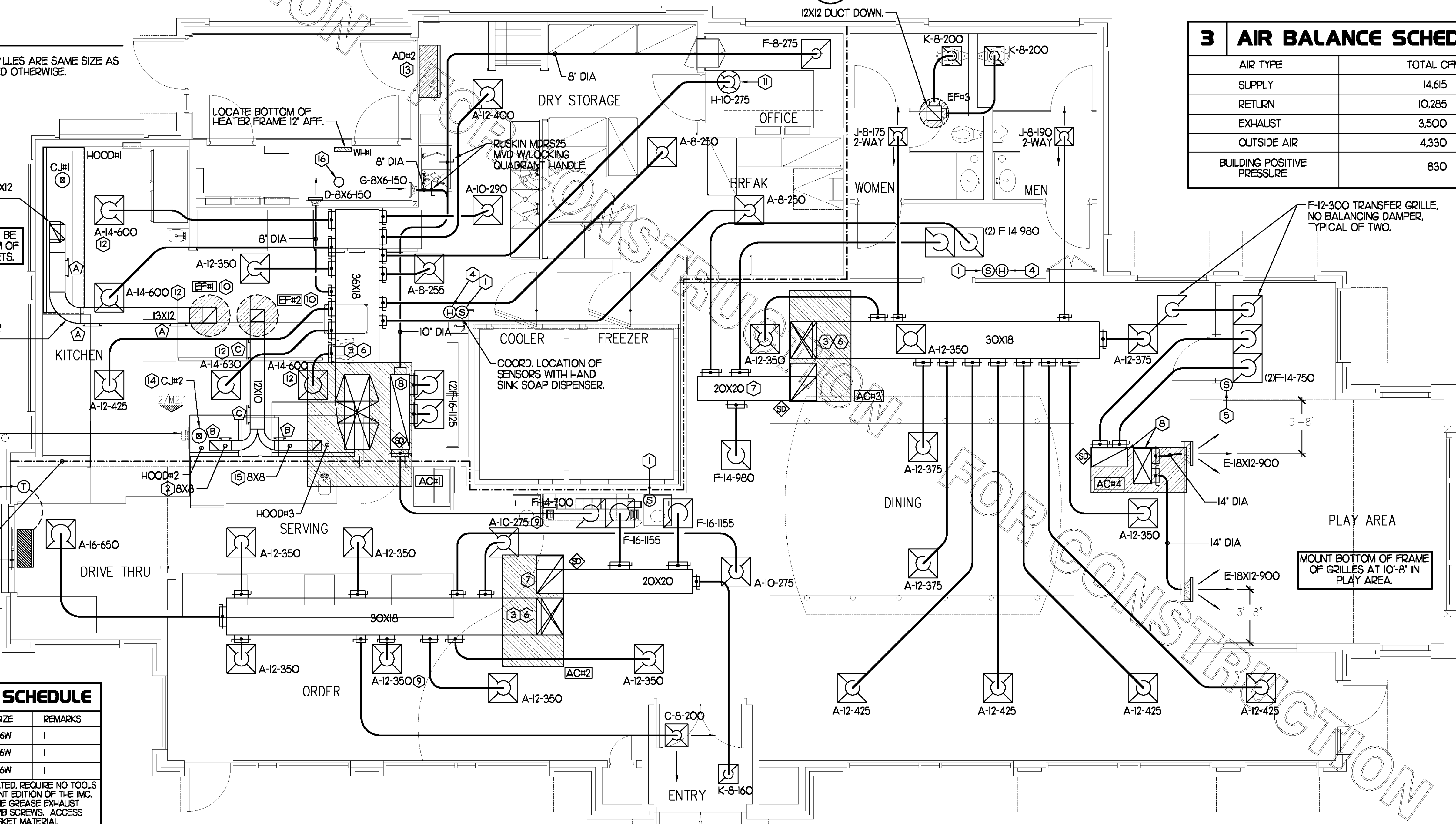
2 ROOFTOP UNIT CONTROL WIRING

3 AIR BALANCE SCHEDULE

AIR TYPE	TOTAL CFM
SUPPLY	14,615
RETURN	10,285
EXHAUST	3,500
OUTSIDE AIR	4,330
BUILDING POSITIVE PRESSURE	830

SHEET NOTES

- DUCT SIZES SERVING DIFFUSERS AND GRILLES ARE SAME SIZE AS DIFFUSER OR GRILLE NECK UNLESS NOTED OTHERWISE.



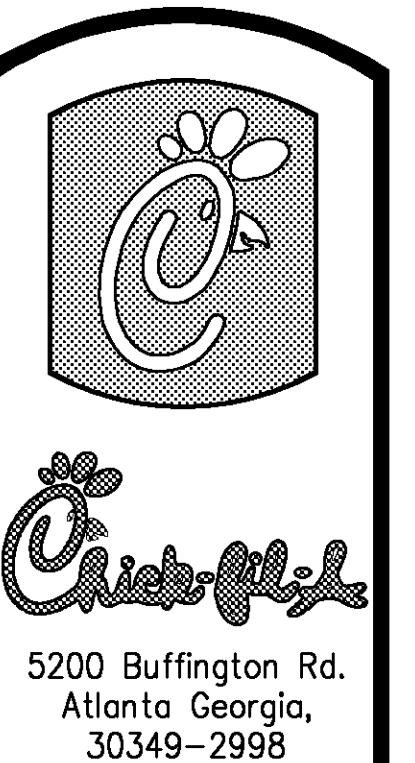
4 GREASE ACCESS DOOR SCHEDULE

MARK	OPENING SIZE	DOOR SIZE	REMARKS
(A)	9.5H X 14W	11.5H X 16W	I
(B)	5.5H X 14W	7.5H X 16W	I
(C)	7.5H X 14W	9.5H X 16W	I

1) ACCESS DOORS SHALL BE U.L. 1978 LISTED OR FIELD FABRICATED. REQUIRE NO TOOLS FOR REMOVAL AND MEET THE REQUIREMENTS OF THE CURRENT EDITION OF THE IMC. ACCESS DOOR ASSEMBLY SHALL BE WELDED IN PLACE TO THE GREASE EXHAUST DUCT AND THE ACCESS DOOR SHALL BE SECURED WITH T-HUB SCREWS. ACCESS DOORS SHALL BE SEALED WITH A MINIMUM 1500 DEGREE GASKET MATERIAL EQUIVALENT TO THAT MANUFACTURED BY BRETON INDUSTRIES, INC. (600) 382-2491.

1 MECHANICAL FLOOR PLAN

1/4"=1'-0"



5200 Buffington Rd.
Atlanta Georgia,
30349-2998

Revisions:
Mark Date By

Mark Date By

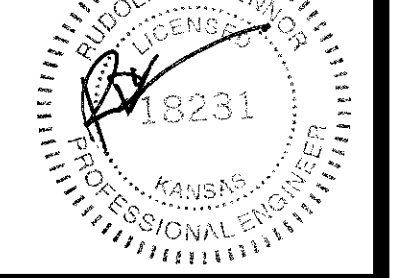
Mark Date By

Mark Date By

Mark Date By

Mark Date By

Seal



BENNON ENGINEERING, LLC
9000 Langford Road
Building 2400
Nevada, GA 30071
(770) 729-1422, bus
(770) 729-0490, fax
contact@BennonEng.com

STORE #2501
Plaza @ the Speedway
FSU S08A

10770 Parallel Pkwy
Kansas City, KS

SHEET TITLE
MECHANICAL
FLOOR PLAN

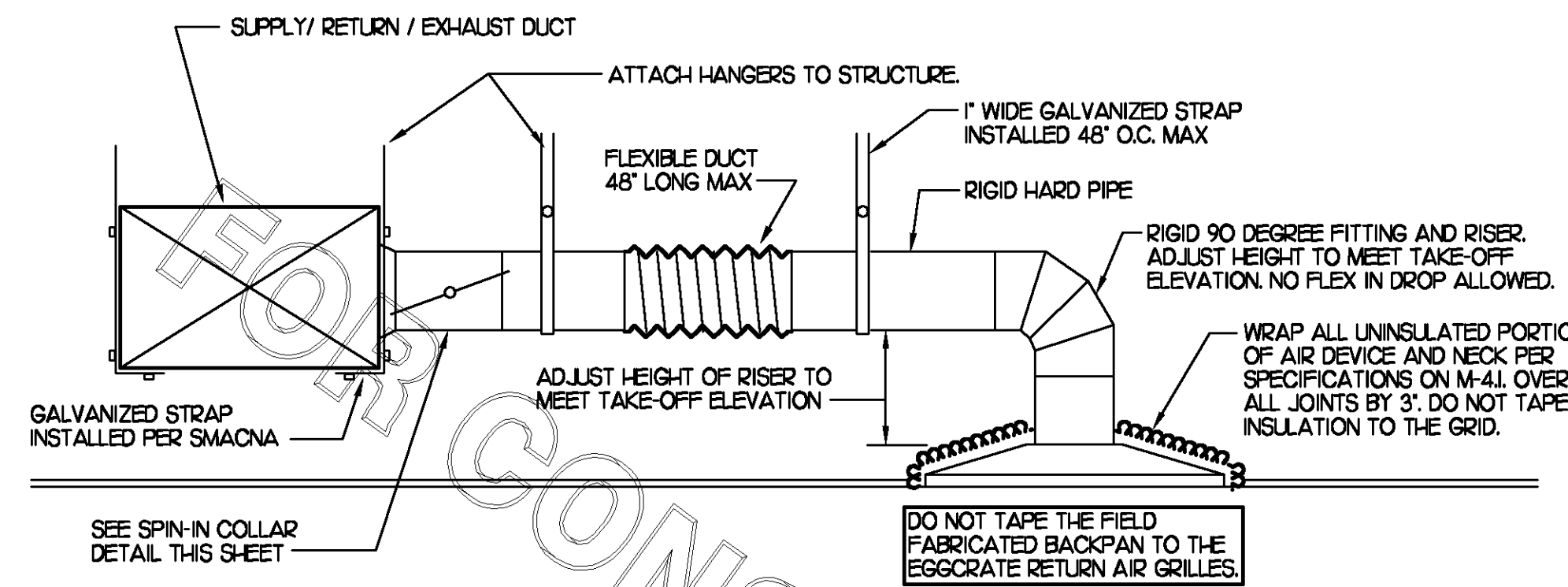
DWG EDITION 07.1
REVISION

Job No. : 9060
Store : 2501
Date : 02.15.10
Drawn By : JL/RW
Checked By : RDB

Sheet

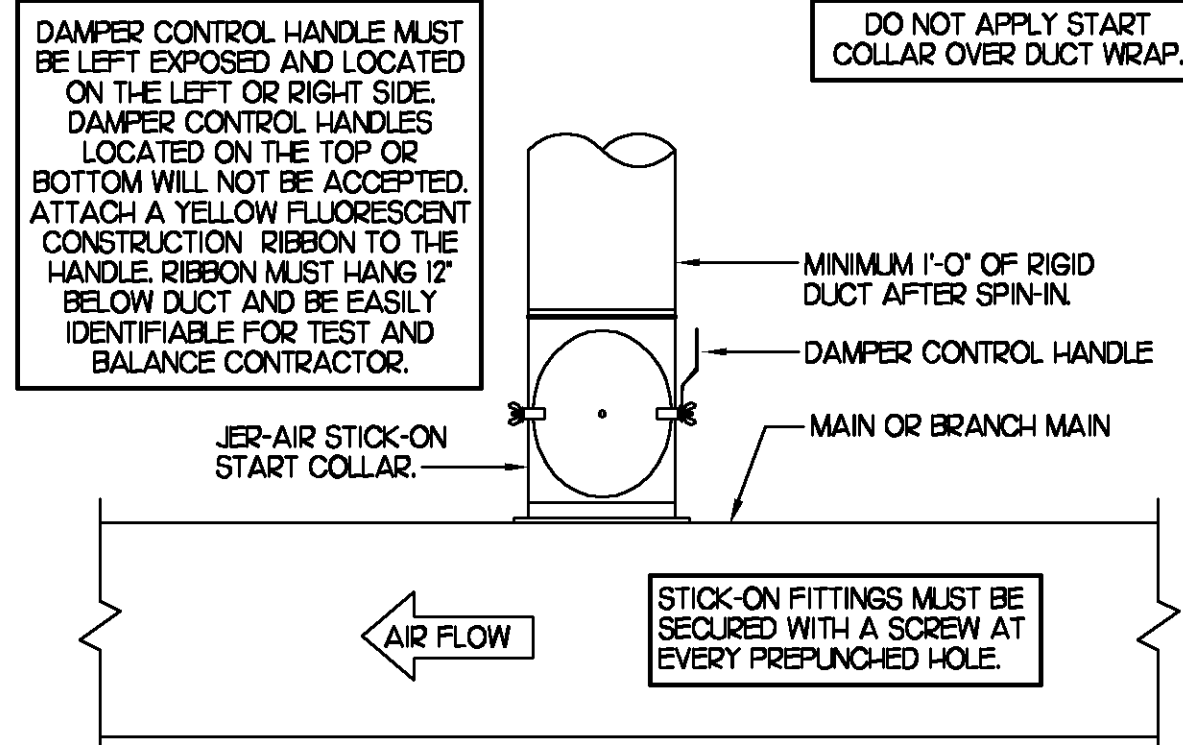
M-11

CONSTRUCTION SET 03.24.10



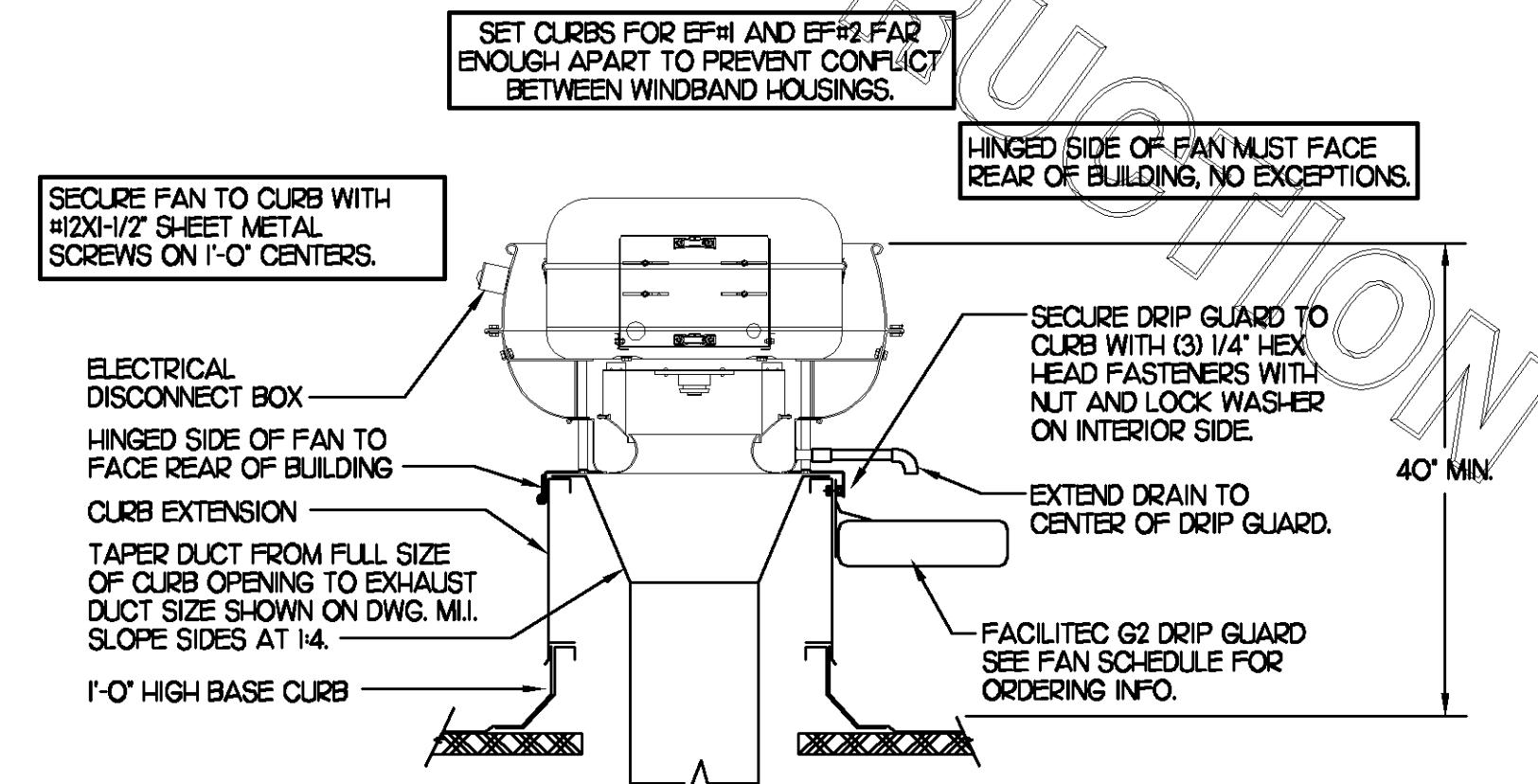
1 SAG/RAG/GRILLE TAKE-OFF
NO SCALE

CHICK-FIL-A HAS A NATIONAL ACCOUNT WITH TOM BARROW COMPANY FOR THE JER-AIR START COLLARS. THE MECHANICAL CONTRACTOR IS REQUIRED TO PURCHASE THE JER-AIR START COLLARS DIRECTLY FROM TOM BARROW COMPANY. CONTACT MR. SCOTT GEORGE AT 404-351-0100 FOR PRICING AND AVAILABILITY. JER-AIR START COLLARS NOT PURCHASED THRU TOM BARROW COMPANY WILL NOT BE ACCEPTED.

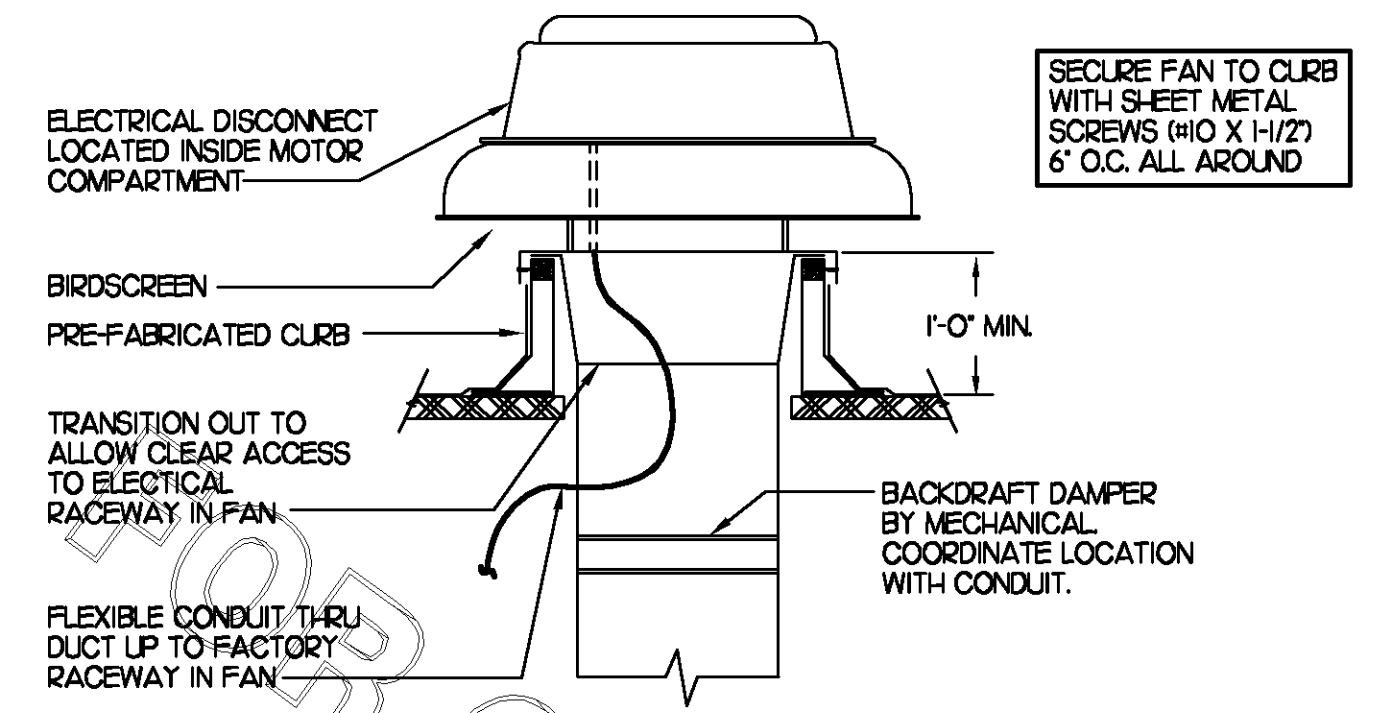


2 START COLLAR
NO SCALE

MARK	GAS FIRED ROOFTOP UNIT SCHEDULE										REMARKS
	COOLING CAPACITY (MBH)		HEATING CAPACITY (MBH)		FAN SECTION (CFM)			MODEL	MANUFACTURER		
	TOTAL	SENS	INPUT	OUTPUT	SUPPLY	O.A.	HP	ESP	R-410A		
ACH1	188.1	135.4	480.0	384.0	5,075	1,700	5	.70	LGC180H4	LENNOX	13,5,6,8,9,10,11,12,14,15
ACH2	128.0	90.9	240.0	192.0	3,500	1,030	3	.65	LGA120H4	LENNOX	2,3,5,7,8,9,10,11,12,13,14
ACH3	145.6	99.0	240.0	192.0	4,240	1,300	5	.70	LGC150S4	LENNOX	13,5,7,8,9,10,11,12,13,14,15
ACH4	63.9	47.3	120.0	100.0	1,800	300	1.5	.65	LGA060H4	LENNOX	3,4,5,7,8,9,10,11,12,13,14
NOTES	<ul style="list-style-type: none"> COOLING CAPACITIES ARE GROSS, BASED ON INDOOR: 75°FDB/62.5°FWB, OUTDOOR: 95°FDB/75.2°FWB, AND 400 CFM PER TON. CHICK-FIL-A MAINTAINS A NATIONAL ACCOUNT FOR EQUIPMENT WITH LENNOX CORPORATION. CONTACT LENNOX NATIONAL ACCOUNTS AT 972-497-6219 OR BY FAX AT 972-497-5121 FOR PRICING, ORDERING AND AVAILABILITY. 										
REMARKS	<ol style="list-style-type: none"> PROVIDE DIFFERENTIAL ENTHALPY ECONOMIZER WITH POWER EXHAUST. PROVIDE DIFFERENTIAL ENTHALPY ECONOMIZER WITH BAROMETRIC EXHAUST. PROVIDE 14" HIGH ROOF CURB. PROVIDE 0-100% MOTORIZED OUTSIDE AIR DAMPER ASSEMBLY. SEE DETAIL 2/M1 FOR SETTING OF ECO PARAMETERS BY MC. PROVIDE FACTORY INSTALLED AND UNIT POWERED HBY GFI SERVICE OUTLET. PROVIDE FACTORY INSTALLED HBY GFI SERVICE OUTLET. PROVIDE FACTORY INSTALLED RETURN SIDE SMOKE DETECTOR. PROVIDE FACTORY INSTALLED NON-FUSED DISCONNECT. PROVIDE 2" MERV 7 THROW AWAY FILTERS. PROVIDE HINGED PANELS FOR FILTER ACCESS, FAN MOTOR ACCESS, COMPRESSOR ACCESS AND CONTROL COMPARTMENT ACCESS. ADJUST GAS MANIFOLD PRESSURE AT LOCATIONS WHERE ELEVATION EXCEEDS 2000' ABOVE SEA LEVEL, AS RECOMMENDED BY MANUFACTURER. PROVIDE FACTORY COIL HAIL GUARD, FIELD INSTALLED. PROVIDE FRESH AIR TEMPERING KIT. PROVIDE HUMIDITY CONTROL OPTION WITH FACTORY WALL MOUNTED HUMIDITY SENSOR (STATES OF CA AND AZ EXCLUDED). 										



3 KITCHEN HOOD EXHAUST FAN
NO SCALE



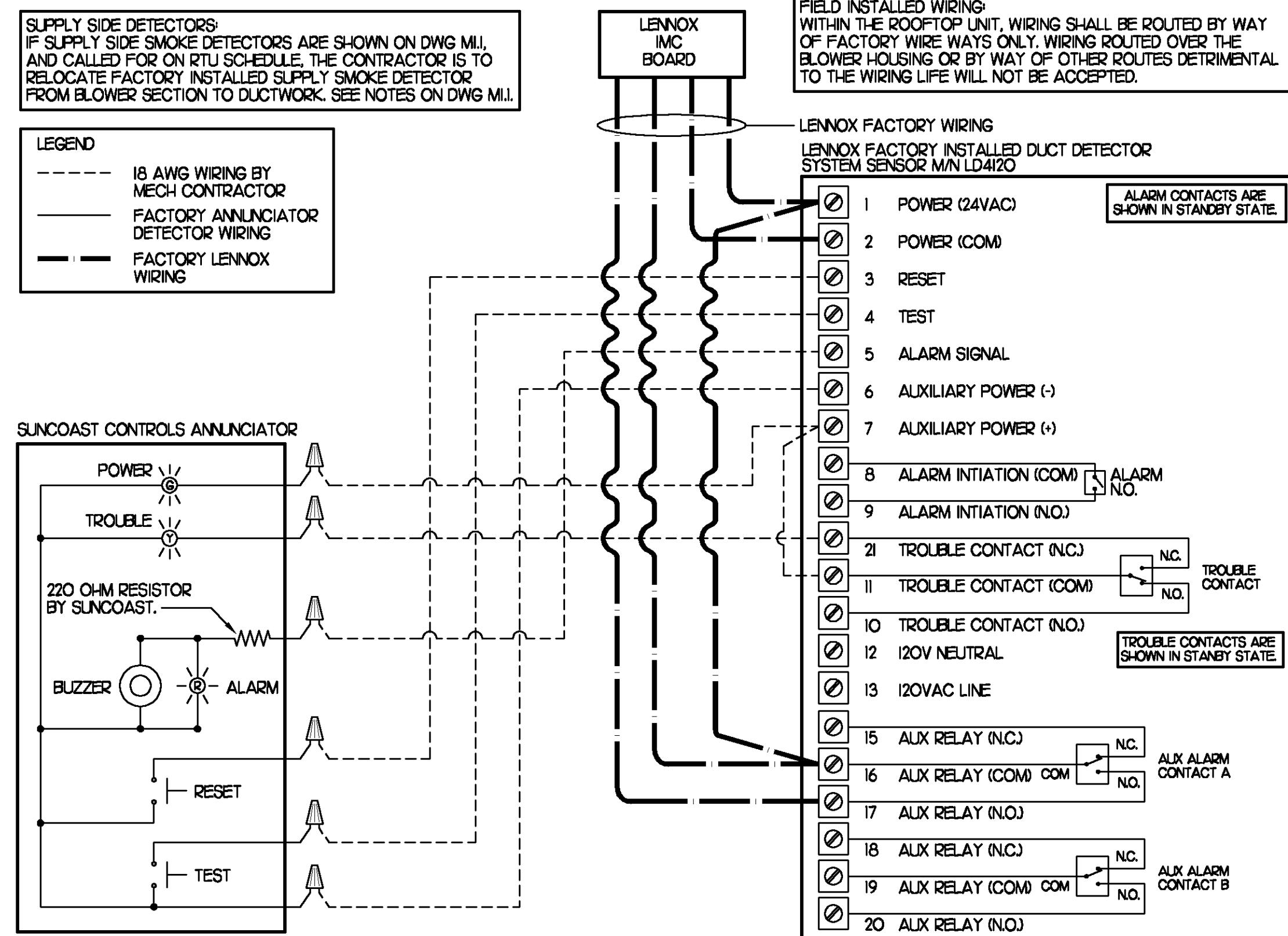
4 RESTROOM EXHAUST FAN
NO SCALE

MARK	EXHAUST FAN SCHEDULE										REMARKS
	CFM	ESP	RPM	TIP SPEED (FPM)	HP	AREA SERVED	MODEL	MANUFACTURER			
EF#1	1,700	3/4	1,182	4641	1/2	HOOD#1	150V5B	LOREN COOK	12,3,4,5,6,12		
EF#2	1,400	3/4	1,162	5,019	1/2	HOOD#2 & HOOD#3	165V-HB	LOREN COOK	12,3,4,5,6,12		
EF#3	400	3/8	1,433	3,423	1/8	RESTROOMS	ACED-90C50H	LOREN COOK	2,7,8,9,10,11,12		
NOTES	<ul style="list-style-type: none"> GREASE EXHAUST FAN RPM BASED ON 80 DEGREE F AIR AT 1000 FEET ABOVE SEA LEVEL. GREASE EXHAUST FANS TO BE UL 762 LISTED. 										
REMARKS	<ol style="list-style-type: none"> PROVIDE FACTORY 1'-0" BASE CURB AND EXTENSION. PROVIDE FACTORY INSTALLED, PRE-WIRED, NEMA 3 NON-FUSED DISCONNECT. PROVIDE FACTORY INSTALLED HINGED BASE KIT. PROVIDE FACTORY INSTALLED WIND BAND CLEAN OUT PORT. PROVIDE FACTORY INSTALLED HELICAL SPRING AUTOMATIC BELT TENSIONER. PROVIDE AND INSTALL FACILITEC G2 DRIP GUARD. THE MECHANICAL CONTRACTOR IS TO CONTACT FACILITEC AT 800-284-8273 FOR PURCHASING AND SHIPPING ARRANGEMENTS. PROVIDE BIRDSCREEN. BACKDRAFT DAMPER IN DUCT BY MECHANICAL CONTRACTOR AS SHOWN ON 4/M-31. STARTER BY ELECTRICAL CONTRACTOR. INTERLOCK WITH LIGHTS BY ELECTRICAL CONTRACTOR. PROVIDE 12" HIGH CURB. PROVIDE FACTORY INSTALLED AND WIRED SPEED CONTROLLER. CHICK-FIL-A HAS A NATIONAL ACCOUNT WITH TOM BARROW COMPANY FOR THE FAN/CURB PACKAGE. THE MECHANICAL CONTRACTOR IS REQUIRED TO PURCHASE THE FAN/CURB PACKAGE DIRECTLY FROM TOM BARROW COMPANY. CONTACT MR. SCOTT GEORGE AT 404-351-0100 FOR PRICING AND AVAILABILITY. FANS AND CURBS NOT PURCHASED THRU TOM BARROW COMPANY WILL NOT BE ACCEPTED. 										

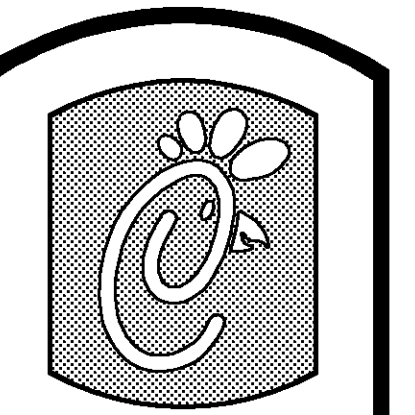
MARK	KW	FRAME SIZE		CFM	MOUNTING TYPE	MODEL	MANUFACTURER
		WIDTH	HEIGHT				
WH-1	15	16"	2'	175	SURFACE	HF3324TTD-RP	MARKEL
REMARKS	<ol style="list-style-type: none"> AUTOMATIC FAN DELAY SWITCH AND INTEGRAL DISCONNECT. INTEGRAL TAMPERPROOF THERMOSTAT SET AT 65 DEG. F. CAPACITY SHOWN IS FOR 208V SERVICE. CONFIRM ELECTRICAL CHARACTERISTICS PRIOR TO ORDERING EQUIPMENT. POWDER COATED 18 GA. STEEL GRILLE WITH ALUMINUM FRAME. AUTOMATIC RESET THERMAL LIMIT SWITCH. TUBULAR STEEL ELEMENT WITH STEEL FINIS. 						

MARK	DESCRIPTION	LOCATION	NECK SIZE	FACE SIZE	FRAME TYPE	REMARKS
C	TITUS MODEL MCD STEEL SUPPLY AIR DIFFUSER FIELD ADJUSTABLE AIR PATTERN CONTROLLERS.	ENTRY 'A'	14X14	19X19	SURFACE	1,3,5,7,9
D	TITUS MODEL 272FS DOUBLE DEFLECTION ALUMINUM SIDEWALL SUPPLY GRILLE. FRONT BLADE PARALLEL TO SHORT SIDE.	MECH ROOM WALK-INS	8X6	10X8	SURFACE	1,9
E	TITUS MODEL 272FL DOUBLE DEFLECTION ALUMINUM SIDEWALL SUPPLY GRILLE. FRONT BLADE PARALLEL TO LONG SIDE.	PLAYGROUND	18X12	20X14	SURFACE	1,9
F	DONCO MODEL CDFD EGGCRATE RETURN AIR GRILLE WITH REMOVABLE WHITE CORE, FACTORY FLAT BACKPAN AND ROUND NECK.	DINING/OFFICE KITCHEN	SEE PLAN	24X24	LAY-IN	1,7,9
G	TITUS MODEL 56FL ALUMINUM SIDEWALL RETURN GRILLE. FRONT BLADE PARALLEL TO LONG SIDE.	MECHANICAL ROOM	8X6	10X8	SURFACE	1,9
H	TITUS MODEL TMR-AA ALUMINUM CONCENTRIC ROUND CONE SUPPLY DIFFUSER.	OFFICE	10	18	LAY-IN	1,6,7,9
J	TITUS MODEL MCD STEEL SUPPLY AIR DIFFUSER FIELD ADJUSTABLE AIR PATTERN CONTROLLERS.	RESTROOMS	10X10	15X15	SURFACE	1,2,3,5,7,9
K	TITUS MODEL PAR STEEL PERFORATED FACE RETURN AIR GRILLE WITH OBD.	RESTROOMS ENTRY 'A'	14X14	16X16	SURFACE	1,4,9
REMARKS	<ol style="list-style-type: none"> STANDARD OFF WHITE FINISH. PROVIDE MODEL AG-85 NECK DAMPER. SEE DRAWING M/J FOR THROW. PROVIDE MODEL AG-75 NECK DAMPER ON GRILLES IN RESTROOMS. FIELD FABRICATE 8" DEEP BACKPAN. SEAL JOINTS WITH MASTIC AND INSULATE EXTERNALLY. PROVIDE AG-75 NECK DAMPER, ADJUSTABLE THRU DIFFUSER FACE. FIELD INSULATE BACKPAN AS SHOWN ON DETAIL 1/M-31. FACTORY INSULATED R-6 BACKPAN. CHICK-FIL-A HAS A NATIONAL ACCOUNT WITH TOM BARROW COMPANY FOR THE AIR DEVICES. THE MECHANICAL CONTRACTOR SHALL PURCHASE THE AIR DEVICES DIRECTLY FROM TOM BARROW COMPANY. CONTACT MR. SCOTT GEORGE AT 404-351-0100 FOR PRICING AND AVAILABILITY. AIR DEVICES NOT PURCHASED THRU TOM BARROW COMPANY WILL NOT BE ACCEPTED. 					

MARK	CFM	VELOCITY	HEATING CAP	HP	AREA SERVED	MODEL	MANUFACTURER	REMARKS
AD#2	3,384	4,000	NA	3/4	REAR DOOR	BCT-1-42	POWERED-AIRE	3,4
REMARKS	<ol style="list-style-type: none"> FACTORY PROVIDED REMOTE MOUNTED HEAT/ON/AUTO CONTROLS. FACTORY PROVIDED UNIT MOUNTED SPEED CONTROLLER. FACTORY PROVIDED SECO-LARM SM-226R MAGNETIC CONTACT WITH FACTORY INSTALLED LOW VOLTAGE CONTROLS LOCATED IN AIR DOOR CABINET. CHICK-FIL-A HAS A NATIONAL ACCOUNT WITH TOM BARROW COMPANY FOR THE AIR DOORS. THE MECHANICAL CONTRACTOR SHALL PURCHASE THE AIR DOORS DIRECTLY FROM TOM BARROW COMPANY. CONTACT MR. SCOTT GEORGE AT 404-351-0100 FOR PRICING AND AVAILABILITY. AIR DOORS NOT PURCHASED THRU TOM BARROW COMPANY WILL NOT BE ACCEPTED. 							



5 SMOKE DETECTOR AND ANNUNCIATOR WIRING DIAGRAM
NO SCALE



5200 Buffington Rd.
Atlanta Georgia,
30349-2998

Revisions:
Mark Date By

△

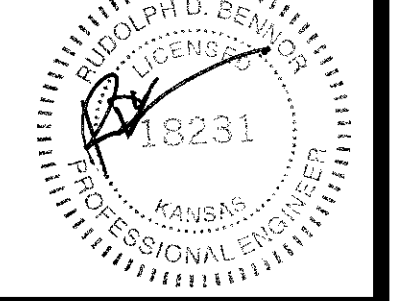
Mark Date By

△

Mark Date By

△

Seal



LENNOX ENGINEERING, LLC
3000 Langford Road
Building 2400
Norcross, GA 30071
(770) 729-1422 bus
(770) 729-0490 fax
contact@lennoxEng.com



STORE #2501
Plaza @ the Speedway
FSU 508A

10770 Parallel Pkwy
Kansas City, KS

SHEET TITLE
HVAC DETAILS
& SCHEDULES

DWG EDITION 07.1
REVISION

Job No. : 9060
Store : 2501
Date : 02.15.10
Drawn By : JL/RW
Checked By : RDB
Sheet

M-31

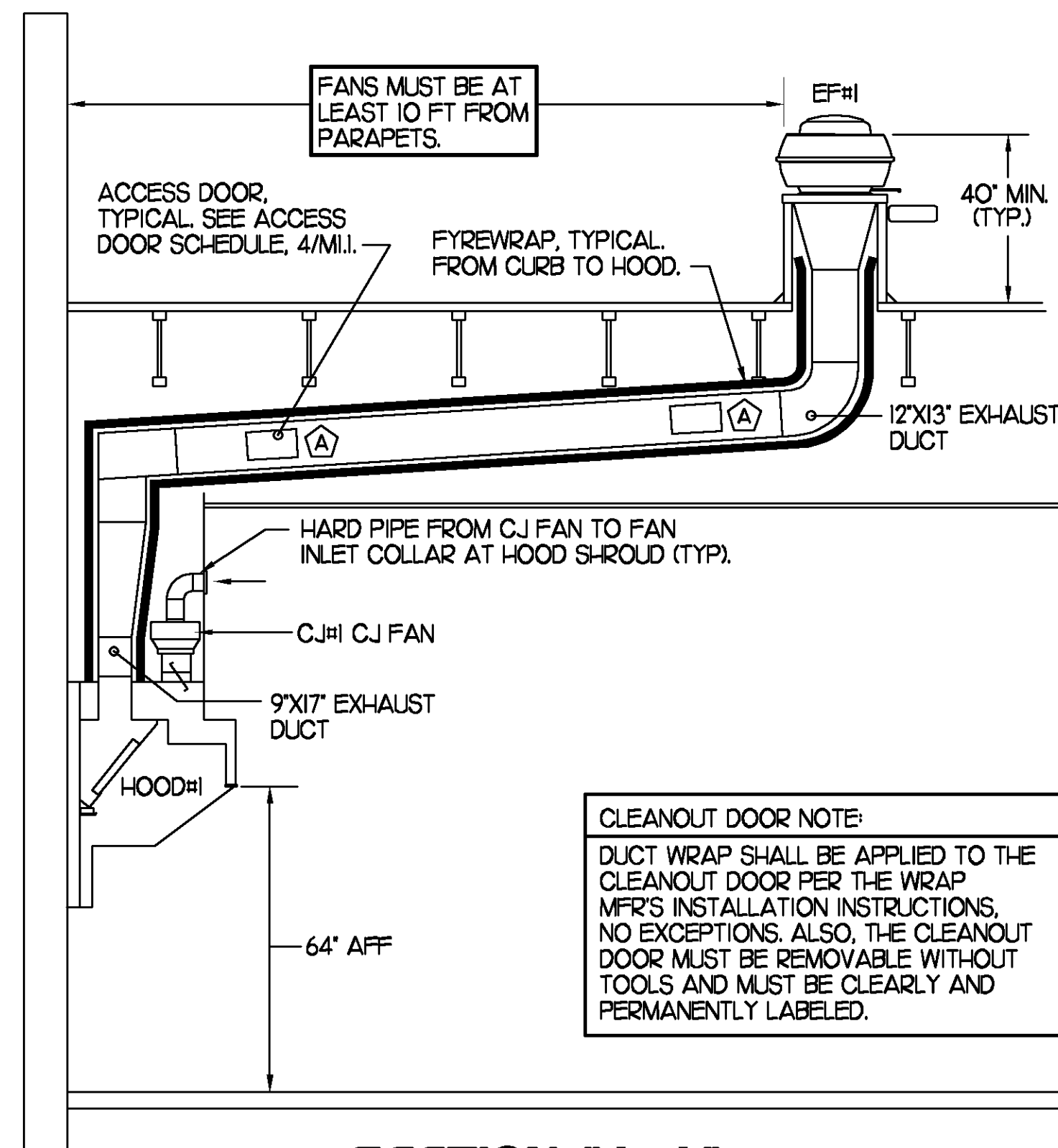
CONSTRUCTION SET 03.24.10

5 KITCHEN HOOD SYSTEMS NOTES

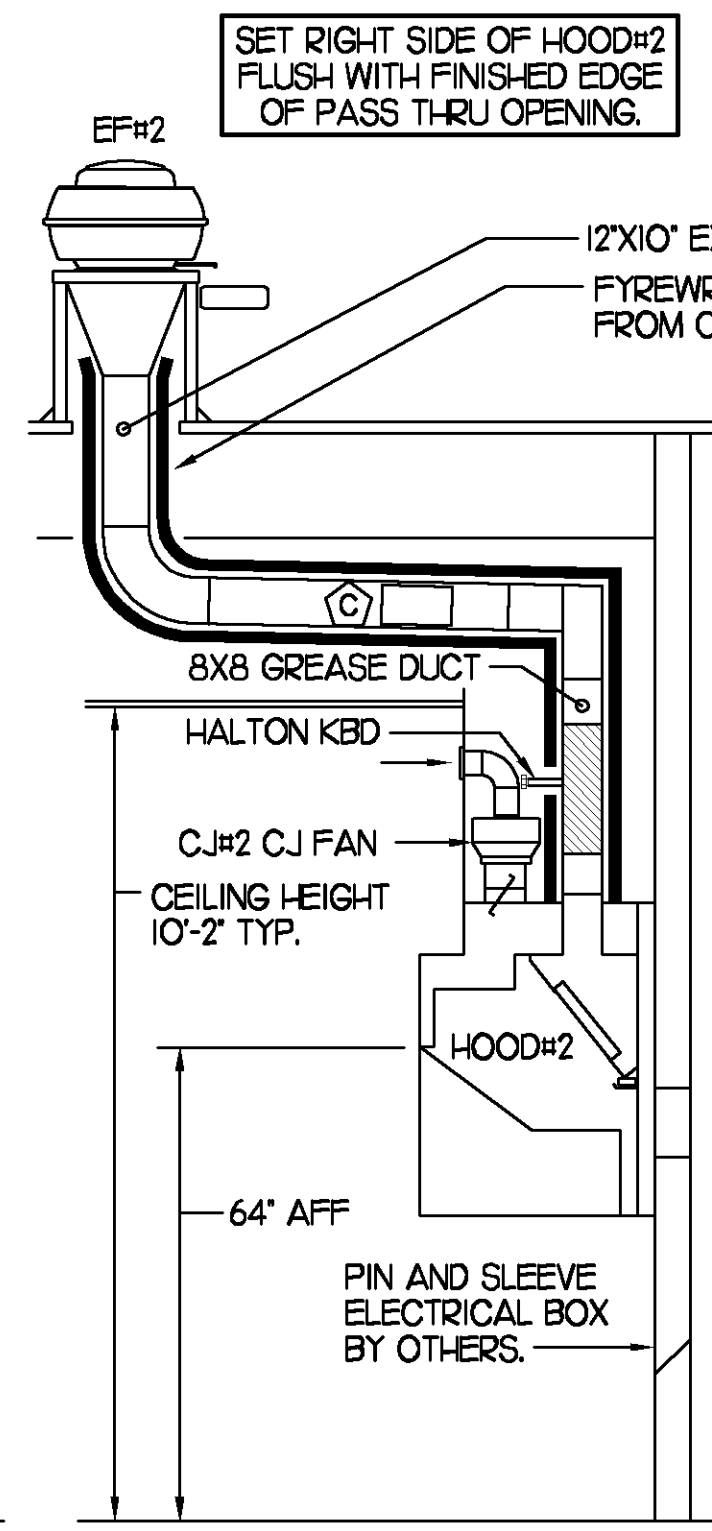
- CHICK-FIL-A MAINTAINS A NATIONAL ACCOUNT WITH HALTON CO. FOR THE HOODS. CHICK-FIL-A WILL PURCHASE AND PROVIDE THE HOODS FOR INSTALLATION BY THE MECHANICAL CONTRACTOR. THE MECHANICAL CONTRACTOR SHALL BE RESPONSIBLE FOR RECEIVING THE HOODS. CONTACT HALTON CO. AT 270-237-5600 FOR MORE INFO.
- THE FIRE SUPPRESSION SYSTEM SHALL CONSIST OF A COMPLETE WET ANSUL SYSTEM FURNISHED BY HALTON. THE HOOD SHALL BE FURNISHED PRE-PIPED BY HALTON.
- THE R-102 ANSUL FIRE SUPPRESSION SYSTEM EXTERNAL TO THE HOODS SHALL BE INSTALLED IN ACCORDANCE WITH HOOD MANUFACTURER'S SHOP DRAWINGS BY AN AUTHORIZED ANSUL SYSTEM INSTALLER HIRED BY HALTON.
- HOOD EXHAUST DUCTWORK SHALL BE 16 GA. BLACK STEEL WITH CONTINUOUS LIQUID TIGHT WELD OF JOINTS & SEAMS.
- TURNS IN GREASE EXHAUST DUCTWORK SHALL BE LONG RADIUS TYPE, WITH A CENTERLINE RADIUS R=3W/2, NO EXCEPTIONS ALLOWED. NO MITERED FITTINGS ALLOWED.
- ALL STAINLESS STEEL CLOSURE PANELS SHALL BE SUPPLIED BY HOOD MANUFACTURER AND INSTALLED BY THE MECHANICAL CONTRACTOR ACCORDING TO MANUFACTURER'S RECOMMENDATIONS.
- SLOPE ALL GREASE EXHAUST DUCT BACK TO HOOD AT 1/4" PER FOOT OF RUN.
- WRAP NEW GREASE DUCT WITH UNIFRAX FyreWRAP. INSULATION ON ACCESS DOORS SHALL BE INSTALLED ACCORDING TO MANUFACTURER'S INSTALLATION RECOMMENDATIONS. FyreWRAP PRODUCT USED SHALL MEET LOCAL CODE REQUIREMENTS.
- SUPPORT HOODS WITH THREADED ROD AT EACH FACTORY SUPPORT POINT. EACH SUPPORT POINT MUST SUPPORT THE HOOD WEIGHT EQUALLY. ATTACH TO STRUCTURE AS DETAILED ON STRUCTURAL DRAWING SS-1.

4 HOOD SCHEDULE

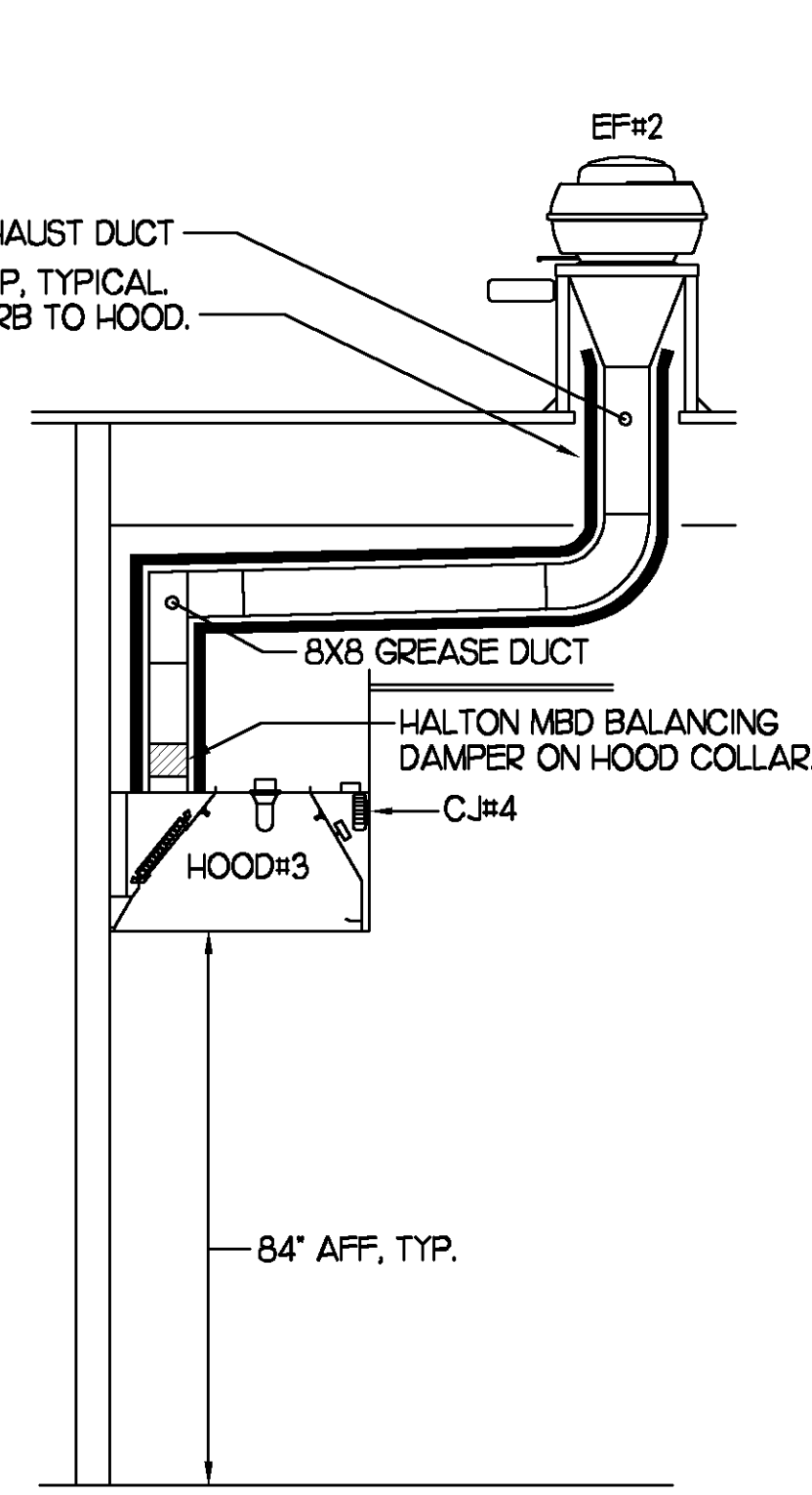
MARK	EXHAUST CFM	SP * TAB PORT	CAPTURE JET CFM & SP.	TYPE	COLLAR SIZE	WIDTH	DEPTH	HEIGHT	MANUFACTURER	MODEL	REMARKS
HOOD#1	1700	0.20'	100 * 0.30'	BACK SHELF	9X17'	136.5"	34"	48"	HALTON	KVL	1,2,3,4,5,6,7,9,10,16,17,23
HOOD#2	700	0.27'	30 * 0.30'	BACK SHELF	8'X8'	40"	34"	48"	HALTON	KVL	1,2,4,8,10,11,12,14,15,17,18,19,23
HOOD#3	700	0.14'	50 * 0.25'	CANOPY	8'X8'	68"	45"	24"	HALTON	KVE	1,4,5,13,20,21,22,23
NOTES	DIMENSIONS OF HOODS INCLUDE BACK AND SIDE SPACERS (HEIGHT DOES NOT INCLUDE CLOSURE PANELS).										
REMARKS	<ol style="list-style-type: none"> 1) STAINLESS STEEL CONSTRUCTION. 2) PROVIDE FULL HEIGHT SS CLOSURE PANEL WITH ACCESS PANEL IN FRONT LARGE ENOUGH TO REMOVE CAPTURE JET FAN. 3) PROVIDE FULL HEIGHT SS CLOSURE PANEL WITH ACCESS PANEL IN FRONT LARGE ENOUGH TO SERVICE ANSUL COMPONENTS. 4) PROVIDE PRE-PIPED ANSUL R-102 WET FIRE EXTINGUISHING SYSTEM. 5) PROVIDE 3" BACK SPACER. 6) PROVIDE 3" RIGHT SIDE SPACER. 7) PROVIDE NOTCHED LEFT END SIDE PANEL. 8) PROVIDE NOTCHED RIGHT END SIDE PANEL. 9) ANSUL CABINET AND COMPONENTS ON LEFT SIDE ABOVE HOOD. 10) PROVIDE TOP PLENUM CAPTURE JET FAN, SPEED CONTROLLER AND COLLAR. 11) PROVIDE COUNTER MOUNTED SIDE CAPTURE JET PLENUM ASSEMBLY AND FAN ON RIGHT SIDE OF HOOD. 12) PROVIDE HALTON KBD EQUALIZER. 13) PROVIDE HALTON MBD BALANCING DAMPER. 14) PROVIDE ACCESS PANEL IN FRONT LARGE ENOUGH TO ACCESS KBD EQUALIZER JACK SCREW. 15) PROVIDE FULL LEFT END PANEL EXTENDING BELOW TOP OF COOKING SURFACE. 16) PROVIDE FULL RIGHT END PANEL EXTENDING BELOW TOP OF COOKING SURFACE. 17) PROVIDE CAPTURE JET AIR INLET AND COLLAR AT FRONT OF CLOSURE PANEL. 18) PROVIDE 3" CUSTOM BACK SPACER TO ACCOMMODATE PIN AND SLEEVE ELECTRICAL BOX. 19) PROVIDE PIN AND SLEEVE ELECTRICAL BOX. SEE ARCHITECTURAL AND ELECTRICAL DRAWINGS FOR ADDITIONAL INFORMATION. 20) PROVIDE FULL HEIGHT SS CLOSURE PANEL WITH ACCESS PANEL IN FRONT LARGE ENOUGH TO ACCESS MBD LINKAGE. 21) PROVIDE FACTORY INSTALLED CAPTURE JET FAN IN PLENUM. 22) PROVIDE FACTORY INSTALLED LIGHTING. 23) PROVIDE EQUIPMENT I.D. LABELS LOCATED ON FRONT LEADING EDGE OF HOOD. 										



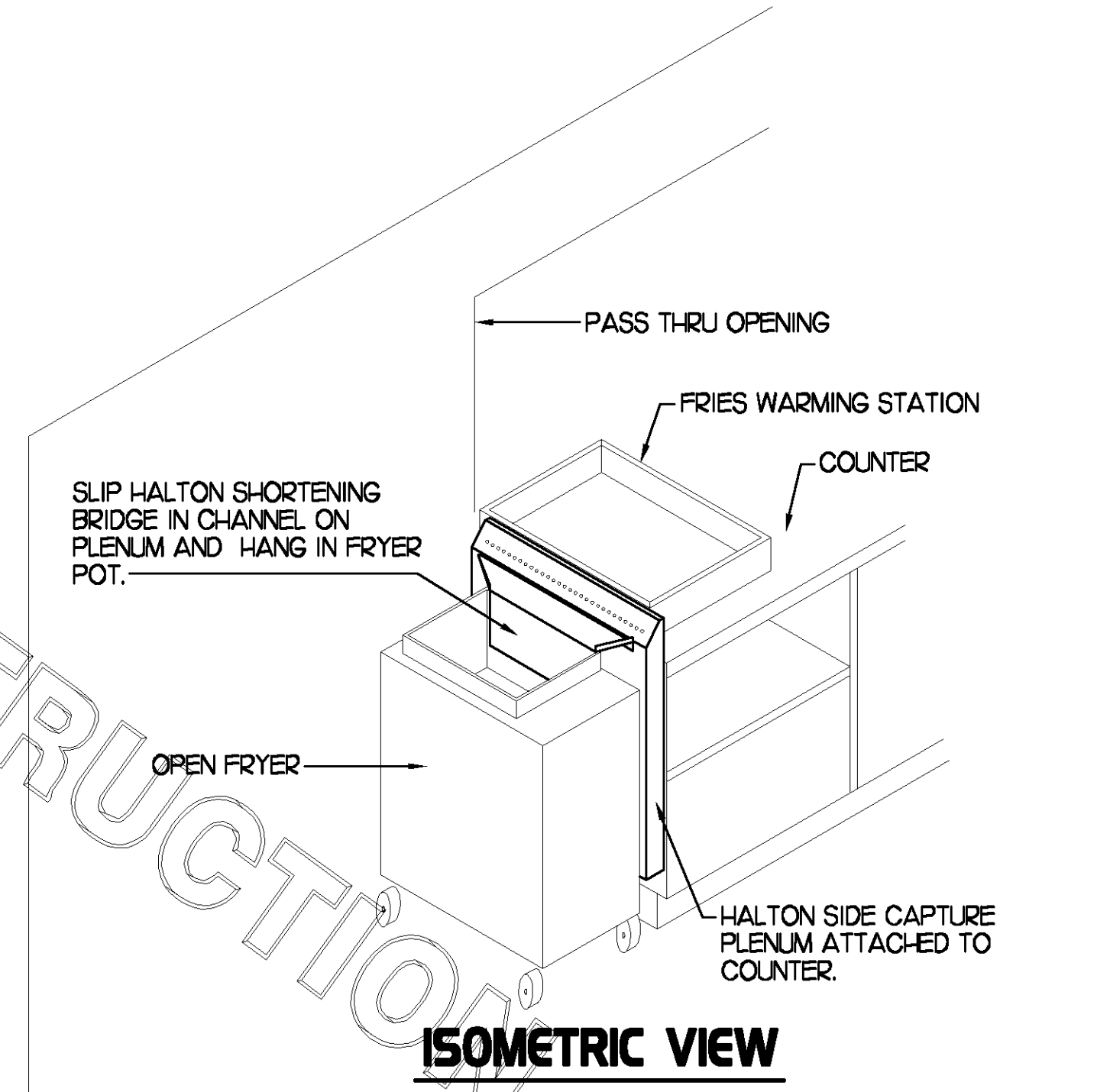
SECTION "A-A"



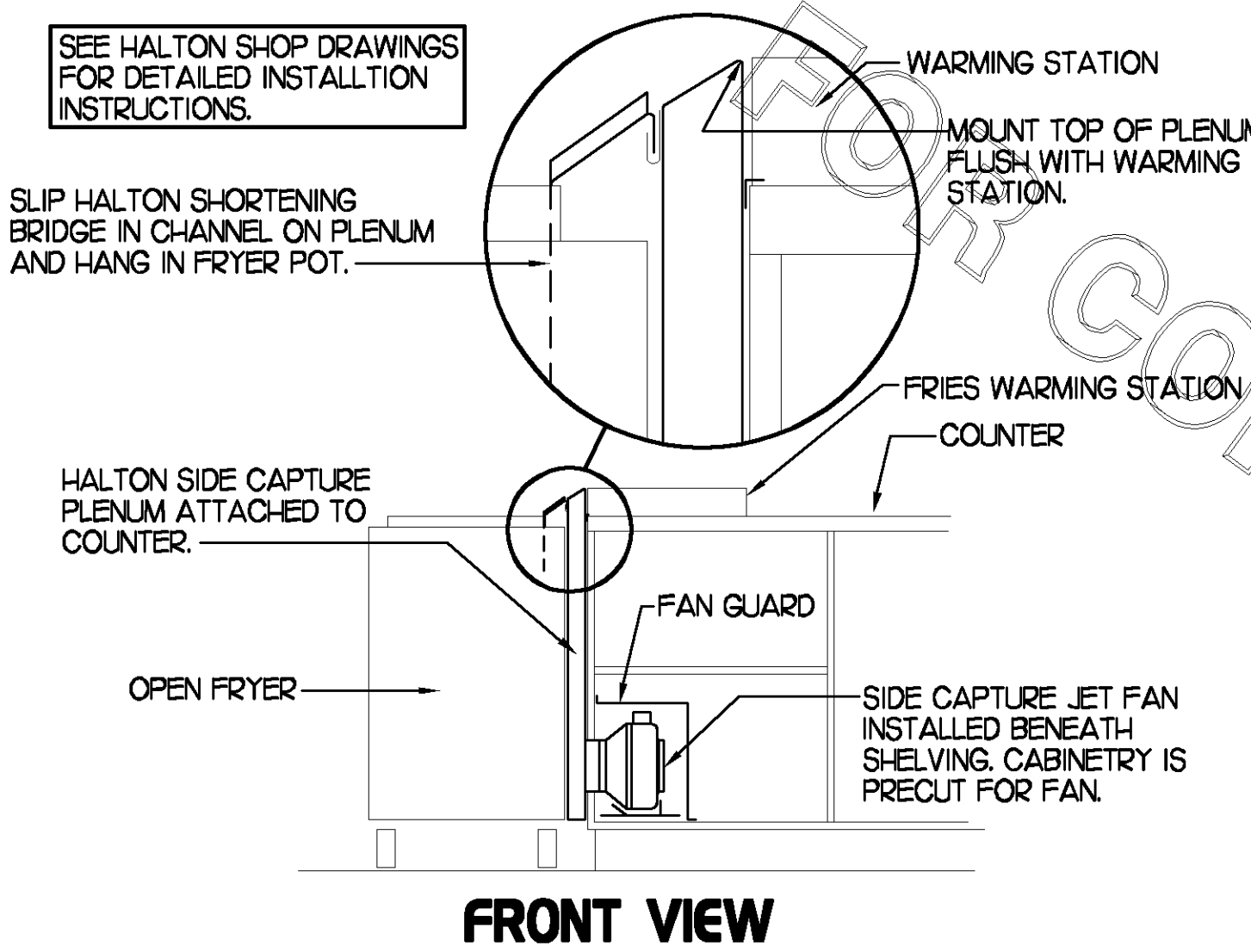
SECTION "B-B"



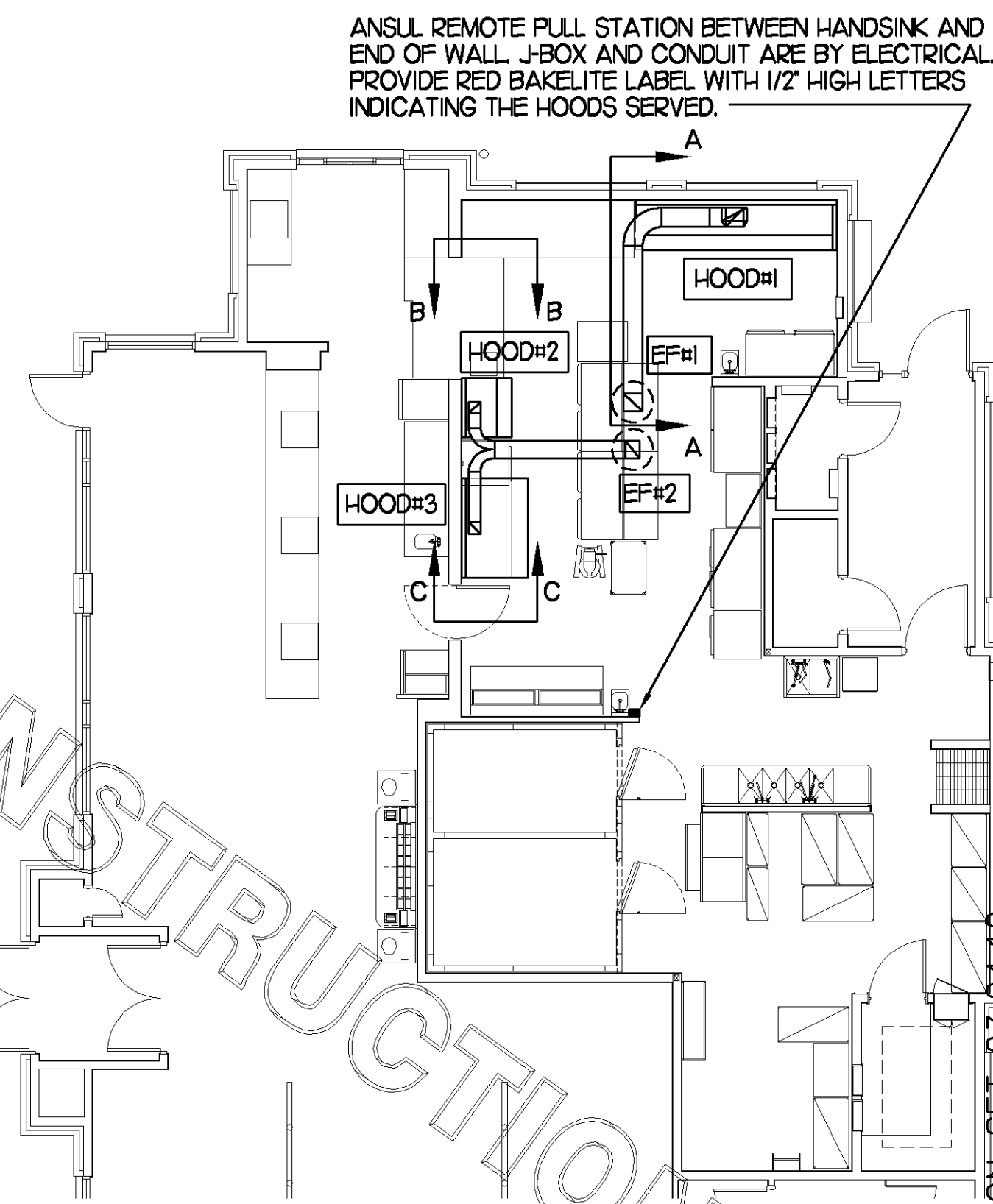
SECTION "C-C"



ISOMETRIC VIEW



FRONT VIEW



HOOD LAYOUT

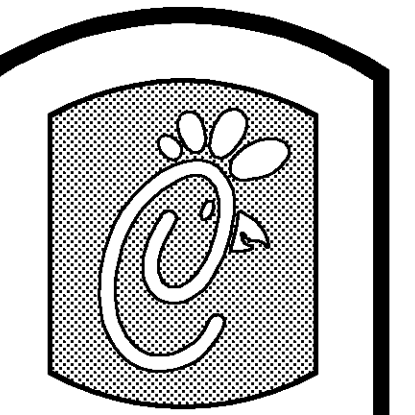
3 HOOD ELEVATIONS

2 HALTON SIDE CAPTURE JET PLENUM

NONE

NOT TO SCALE

1/8"=1'-0"



5200 Buffington Rd.
Atlanta Georgia,
30349-2998

Revisions:

Mark Date By

△

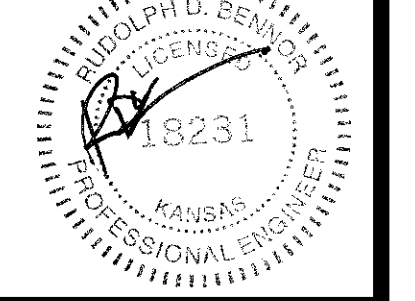
Mark Date By

△

Mark Date By

△

Seal



BENNON ENGINEERING, LLC
9000 Langford Road
Building 2400
Nevada, MO 64071
(770) 729-1422, bus
(770) 729-0490, fax
contact@BennonEng.com

STORE #2501
Plaza @ the Speedway
FSU S08A

10770 Parallel Pkwy
Kansas City, KS

SHEET TITLE
HOOD DETAILS
& SCHEDULES

DWG EDITION 07.1
REVISION

Job No. : 9060
Store : 2501
Date : 02.15.10
Drawn By : JL/RW
Checked By : RDB

Sheet

M-2.1

CONSTRUCTION SET 03.24.10

NATIONAL ACCOUNTS

1.	LENNOX EQUIPMENT - CONTACT LENNOX NATIONAL ACCOUNTS AT 972-497-6260 (OR BY FAX AT 972-497-5112) FOR PRICING, ORDERING AND AVAILABILITY.
2.	LOREN COOK FAN AND CURB PACKAGE - THE MECHANICAL CONTRACTOR IS REQUIRED TO PURCHASE THE FAN/CURB PACKAGE DIRECTLY FROM TOM BARROW COMPANY. CONTACT MR. SCOTT GEORGE AT 404-351-0101 FOR PRICING AND AVAILABILITY. FANS AND CURBS NOT PURCHASED THRU TOM BARROW COMPANY WILL NOT BE ACCEPTED.
3.	TITUS AIR DEVICES - THE MECHANICAL CONTRACTOR IS REQUIRED TO PURCHASE THE AIR DEVICES DIRECTLY FROM TOM BARROW COMPANY. CONTACT MR. SCOTT GEORGE AT 404-351-0101 FOR PRICING AND AVAILABILITY. AIR DEVICES NOT PURCHASED THRU TOM BARROW COMPANY WILL NOT BE ACCEPTED.
4.	AIR DOORS - THE MECHANICAL CONTRACTOR IS REQUIRED TO PURCHASE THE AIR DOORS DIRECTLY FROM TOM BARROW COMPANY. CONTACT MR. SCOTT GEORGE AT 404-351-0101 FOR PRICING AND AVAILABILITY. AIR DOORS NOT PURCHASED THRU TOM BARROW COMPANY WILL NOT BE ACCEPTED.
5.	SUNCOAST ENVIRONMENTAL CONTROLS - THE TEST/RESET STATIONS WILL BE PURCHASED AND PROVIDED BY THE ELECTRICAL CONTRACTOR AS A PART OF A NATIONAL ACCOUNT PACKAGE. SEE PART II PARAGRAPH 3D AND 3E OF THE MECHANICAL SPECIFICATIONS FOR MORE INFORMATION.
6.	HALTON HOODS - CHICK-FIL-A WILL PURCHASE AND PROVIDE THE HOODS FOR INSTALLATION BY THE MECHANICAL CONTRACTOR. THE MECHANICAL CONTRACTOR SHALL BE RESPONSIBLE FOR RECEIVING THE HOODS. CONTACT HALTON CO. AT 270-237-5600 FOR MORE INFO.
7.	JER-AIR START COLLARS - THE MECHANICAL CONTRACTOR IS REQUIRED TO PURCHASE THE START COLLARS DIRECTLY FROM TOM BARROW COMPANY. CONTACT MR. SCOTT GEORGE AT 404-351-0101 FOR PRICING AND AVAILABILITY. START COLLARS NOT PURCHASED THRU TOM BARROW COMPANY WILL NOT BE ACCEPTED.

I. MECHANICAL SPECIFICATIONS

PART I GENERAL

- IT IS THE RESPONSIBILITY OF CONTRACTOR TO READ ALL SPECIFICATIONS AND CONSULT ALL DRAWINGS WHICH MAY AFFECT THE INSTALLATION AND COORDINATION OF HIS WORK WITH OTHER TRADES. CONTRACTOR SHALL COORDINATE AND MAKE MINOR ADJUSTMENTS IN LOCATION OF EQUIPMENT AND MATERIALS AS NECESSARY TO SECURE COORDINATION.
- COMPLETED INSTALLATION SHALL CONFORM TO ALL APPLICABLE FEDERAL, STATE AND LOCAL CODES AND ORDINANCES, INCLUDING BUT NOT LIMITED TO THE LATEST APPROVED EDITIONS OF NFPA-96, NFPA-90A, NFPA-54, SMACNA, ASH-RAE 90.1 AND ASH-RAE 62.
- SYSTEM LAYOUT IS SCHEMATIC AND EXACT LOCATIONS SHALL BE DETERMINED BY STRUCTURAL CONDITIONS, COORDINATION WITH OTHER TRADES, COORDINATION WITH FINISHES AND OTHER CONDITIONS. STRUCTURAL SUPPORTS SHALL NOT BE CUT OR ALTERED TO ASSURE FIT OF HVAC SYSTEM. TEN FOOT CLEARANCE SHALL BE MAINTAINED BETWEEN OUTSIDE AIR INTAKES AND EXHAUST FANS AND PLUMBING VENT TERMINALS.
- CONTRACTOR SHALL BE RESPONSIBLE FOR ALL DEFECTS, REPAIRS AND REPLACEMENTS IN MATERIALS AND WORKMANSHIP FOR A PERIOD OF ONE (1) YEAR AFTER FINAL PAYMENT IS APPROVED. CONTRACTOR SHALL HONOR FACTORY WARRANTIES ON ALL EQUIPMENT PROVIDED AS PART OF THIS SYSTEM.
- UPON COMPLETION OF PROJECT, ALL SYSTEM EQUIPMENT AND MATERIALS SHALL BE IN NEW, CLEAN CONDITION WITH ALL DAMAGE RESTORED TO CONDITION ACCEPTABLE TO THE OWNERS REPRESENTATIVE. ALL EQUIPMENT, COMPONENTS AND DUCTWORK SHALL BE INSPECTED AND THOROUGHLY CLEANED, READY FOR USE. AT COMPLETION OF JOB, ALL MISCELLANEOUS TOOLS, SCAFFOLDING, SURPLUS MATERIALS, RUBBISH AND DEBRIS SHALL BE REMOVED BY CONTRACTOR.
- CONTRACTOR SHALL PROVIDE 2" MERV 7 THROW AWAY TYPE FILTERS. A CLEAN SET SHALL BE PROVIDED PRIOR TO UNIT STARTUP AND AGAIN PRIOR TO OPENING.

PART II PRODUCTS

I. HEATING AND COOLING EQUIPMENT

- FURNISH AND INSTALL R-410A ROOFTOP SINGLE PACKAGE COMBINATION ELECTRIC COOLING AND NATURAL GAS FIRED HEATING UNITS BY LENNOX AS SHOWN ON DRAWINGS. EQUIPMENT SHALL BE ARI CERTIFIED AND A.G.A. AND UL LISTED.
- ACCESSORIES SHALL INCLUDE LOW AND HIGH PRESSURE SAFETIES, CRANK CASE HEATER, OVERCURRENT AND OVERTEMPERATURE SAFETY, COMPRESSOR VIBRATION ISOLATORS, FILTER DRIERS, REFRIGERANT SERVICE VALVES, COIL HAIL GUARDS WHERE SCHEDULED, CONVENIENCE OUTLETS FACTORY INSTALLED ON SCHEDULED UNITS, UNIT MOUNTED NON-FUSED DISCONNECTS, LOW AMBIENT OPERATION DOWN TO 30 DEGREES F AND EVAPORATOR FREEZE STAT.
- COMPRESSORS SHALL BE FULLY HERMETIC SCROLL TYPE WITH INTERNAL VIBRATION ISOLATORS. COMPRESSORS SHALL BE PROVIDED WITH A MINIMUM FIVE (5) YEAR FULL WARRANTY.
- THE UNIT HEAT EXCHANGERS SHALL BE STEEL WITH ALUMINIZED STEEL COATING. HEATING CONTROLS SHALL CONSIST OF REDUNDANT GAS VALVES, INTERMITTENT PILOT WITH ELECTRONIC SPARK OR HOT PLATE IGNITION SYSTEM, COMBUSTION/EXHAUST FAN PROTECTED BY CENTRIFUGAL SWITCHES, HEAT LIMIT SWITCHES, TIME-DELAY RELAY, FLAME, AND PILOT SENSORS. ALL UNITS SHALL BE CAPABLE OF TWO STAGES OF HEAT. HEAT EXCHANGES SHALL HAVE A TEN (10) YEAR WARRANTY. BURNERS SHALL BE ALUMINIZED IN-SHOT TYPE. THE DRAFT MOTOR SHALL BE MONITORED BY THE CONTROL SYSTEM.
- CHICK-FIL-A MAINTAINS A NATIONAL ACCOUNT FOR EQUIPMENT WITH LENNOX CORPORATION. PRICING FOR THE EQUIPMENT HAS BEEN ESTABLISHED IN ADVANCE. CONTACT LENNOX NATIONAL ACCOUNTS AT 972-497-6260 (OR BY FAX AT 972-497-5112) FOR PRICING, ORDERING AND AVAILABILITY.

2. DUCTWORK, INSULATION & INSTALLATION (SEE DWG M2I FOR GREASE DUCT)

- ACCEPTABLE MANUFACTURERS OF INSULATION ARE MANVILLE, OWENS CORNING OR KNAUF.
- ALL DUCTWORK SHALL BE SHEET METAL, UNLESS NOTED OTHERWISE (UNO).
- DUCT DIMENSIONS SHOWN ARE INSIDE CLEAR DIMENSIONS, UNO.
- CONSTRUCTION OF DUCTWORK SHALL MEET SMACNA I" W.C. PRESSURE CLASS STANDARD AND RECOMMENDATIONS. SMACNA SHALL BE FOLLOWED WITH RESPECT TO GAGE THICKNESS, JOINTS, REINFORCING, CONSTRUCTION, INSTALLATION AND SUPPORT FOR PRESSURE CLASS STATED. ALL TRANSVERSE JOINTS IN RECTANGULAR AND ROUND DUCT SHALL BE SEALED PER SMACNA SEAL CLASS C WITH UL DUCT MASTIC SEALANT APPROVED FOR INTENDED USE. DUCT TAPE IS NOT AN ACCEPTABLE SUBSTITUTE FOR MASTIC.
- ALL DUCT INSULATION SHALL MEET MINIMUM R-VALUE REQUIRED BY ASH-RAE 90.1 LATEST EDITION. ALL DUCT WRAP SHALL BE MINIMUM 2" THICK, 3/4 PCF AND 5.6 R-VALUE INSTALLED WITH EITHER A VAPOR BARRIER WITH MAXIMUM PERMEANCE 0.05 OR A MINIMUM 2 MIL ALUMINUM REINFORCED FOIL/KRAFT FACING.
- ALL DUCT DROPS FROM THE ROOFTOP UNITS AND GENERAL DUTY EXHAUST FANS SHALL BE EXTERNALLY INSULATED.
- SUPPLY AND RETURN AIR DUCTWORK SERVING THE PLAYGROUND, KITCHEN, SERVING, AND DINING AREAS SHALL BE EXTERNALLY INSULATED.
- ALL AIR CONVEYANCE COMPONENTS SUCH AS, BUT NOT LIMITED TO DUCT, DUCT PLENUMS, GRILLES/DIFFUSERS, BACK PANS, AND BOOTS SHALL BE INSULATED. INSULATION TYPE IS COVERED ELSEWHERE IN THIS SPECIFICATION.
- RESTROOM RECTANGULAR EXHAUST AIR DUCTWORK SHALL BE LINED WITH 1" THICK, 1-1/2 PCF INSULATION.
- TRUNK DUCTS SHALL BE ISOLATED FROM UNIT VIBRATION WITH THE USE OF NFPA AND UL APPROVED FLEXIBLE CONNECTORS INSTALLED AT THE TOP OF BOTH SUPPLY AND RETURN DROPS.
- INSULATED FLEXIBLE DUCT MAY BE UTILIZED FOR RUNOUTS TO GRILLES AND DIFFUSERS ONLY IN THE HORIZONTAL POSITION AND IN MAXIMUM LENGTHS OF 4'-0", NO EXCEPTIONS. SEE TAKE-OFF DETAIL ON DRAWING M3I.
- CONSTRUCTION OF FLEXIBLE DUCTWORK SHALL INCLUDE SPIRAL METAL HELIX BONDED TO A POLYESTER CORE, FIBERGLASS INSULATION WITH POLYETHYLENE OR NYLAR VAPOR BARRIER. ALL COMPONENTS SHALL HAVE APPROPRIATE UL APPROVAL AND SHALL BE EQUIVALENT TO THERMAFLEX MKE.
- FLEXIBLE DUCT SHALL BE INSTALLED PER THE "ADC FLEXIBLE DUCT PERFORMANCE AND INSTALLATION STANDARDS, 4TH ED" USING FOIL TAPE AND DRAWBAND ON THE INNER CORE AND TAPE OR DRAWBAND ON THE OUTER JACKET.
- DUCT TAPE SHALL BE EQUAL TO FASSON I8I-B FX, 2-1/2" WIDE.
- SINGLE THICKNESS TURNING VANES SHALL BE INSTALLED AT 90 DEGREE TURNS IN SUPPLY DUCTWORK WHERE ANY ONE DIMENSION IS GREATER THAN 12".
- RADIUSED ELBOWS MAY BE SUBSTITUTED FOR 90 DEGREE ELBOWS AT THE DISCRETION OF THE CONTRACTOR. CENTERLINE RADIUS EQUAL TO 3W/2 PER FIGURE NO. 2-2 IN SMACNA HVAC DUCT CONSTRUCTION STANDARDS.
- EXTERNAL INSULATION ON BOTTOM OF DUCTS 24" OR WIDER SHALL BE SUPPORTED WITH STICK PINS ON 18" CENTERS. STICK PIN WASHERS SHALL BE COVERED WITH DUCT TAPE OR MASTIC.

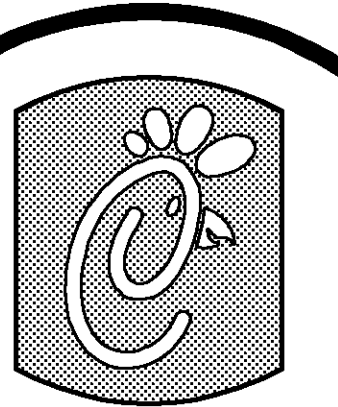
3. CONTROLS

- SYSTEMS SHALL BE COMPLETE WITH CONNECTIONS TO CFA-500 TEMPERATURE CONTROL PANEL AS MANUFACTURED BY SUNCOAST ENVIRONMENTAL CONTROLS (S.E.C.) (P# 877-544-6679). THE PANEL IS PROVIDED AND MOUNTED BY THE ELECTRICAL CONTRACTOR. CONTROL WIRING TERMINATIONS ARE BY THE MECHANICAL CONTRACTOR.
- THE SMOKE DETECTORS SHALL BE FACTORY INSTALLED AND WIRED BY THE ROOFTOP UNIT MANUFACTURER.
- A FACTORY INSTALLED SMOKE DETECTOR IN THE RETURN AIR SECTION OF EACH AIR CONDITIONING UNIT SHALL STOP THE INDOOR FAN AND CLOSE THE OUTSIDE AIR DAMPER IN THE EVENT OF EXCESSIVE TEMPERATURE OR SMOKE. SMOKE DETECTOR SHALL BE LOCATED PRIOR TO ANY EXHAUST FROM THE BUILDING OR MIXING WITH FRESH AIR MAKE-UP. UPON DETECTION, THE SYSTEM SHALL NOT RESTART UNTIL THE DEVICE IS MANUALLY RESET. DEVICES SHALL BE LOCATED WHERE THEY CAN BE EASILY ACCESSED AND WHERE CLEAR OF FILTERS.
- CHICK-FIL-A HAS A NATIONAL ACCOUNT WITH SUNCOAST ENVIRONMENTAL CONTROLS FOR THE SMOKE DETECTOR TEST/RESET ANNUNCIATOR STATIONS. THE TEST/RESET STATIONS WILL BE PURCHASED BY THE ELECTRICAL CONTRACTOR AS A PART OF A NATIONAL ACCOUNT PACKAGE AND TURNED OVER TO THE MECHANICAL CONTRACTOR FOR INSTALLATION.

- THE REMOTE TEST/RESET ANNUNCIATORS SHALL BE PROVIDED BY THE ELECTRICAL CONTRACTOR AND INSTALLED BY THE MECHANICAL CONTRACTOR. INSTALLATION BY MECHANICAL SHALL INCLUDE MOUNTING OF THE ANNUNCIATORS AND ALL WIRING FROM EACH DEVICE TO THE RTU. ELECTRICAL WILL PROVIDE A JUNCTION BOX IN THE WALL WITH 1/2" CONDUIT STUBBED UP ABOVE THE CEILING FOR EACH REMOTE TEST STATION AS SHOWN ON THE ELECTRICAL PLANS. ANNUNCIATOR SHALL BE SUNCOAST CONTROLS REMOTE TEST/RESET STATION WITH POWER LED, TROUBLE LED, ALARM LED, 90DB HORN AND TEST/RESET BUTTON.
- WHERE REQUIRED BY LOCAL CODE, INSTALL A FIRESTAT IN THE SUPPLY AIR DUCT OF EACH PIECE OF AIR CONDITIONING EQUIPMENT HANDLING 2000 CFM OR MORE TO STOP THE INDOOR FAN AND CLOSE THE OUTSIDE AIR DAMPER WHEN HEAT WITHIN THE DUCT IS IN EXCESS OF 135 DEGREES FAHRENHEIT. FIRESTAT SHALL BE EQUIVALENT TO HONEYWELL MODEL #L4029E HIGH LIMIT CONTROLLER. FIRESTATS SHALL BE PROVIDED AND MOUNTED BY THE MECHANICAL CONTRACTOR. INSTALLATION BY MECHANICAL SHALL INCLUDE MOUNTING OF THE DEVICE AND ALL WIRING FROM THE DEVICE TO THE RTU. SHUTDOWN OF UNIT AND INDOOR FAN SHALL BE IMMEDIATE WITH NO DELAY.
- THE RESTROOM FAN SHALL BE INTERLOCKED TO THE LIGHTS SERVING THE MEN AND WOMENS RESTROOMS. THE HOOD FANS SHALL BE CONTROLLED VIA THE SUNCOAST CFA-500 CONTROL PANEL. WIRING, RELAYS AND SWITCHES FOR CONTROL OF ALL FANS ARE BY ELECTRICAL CONTRACTOR.
- THERMOSTATS ARE PROVIDED AND INTEGRATED INTO THE TEMPERATURE CONTROL PANEL BY SUNCOAST ENVIRONMENTAL CONTROLS. SUNCOAST WILL PROVIDE A ROBERTSHAW SERIES 300 THERMOSTAT PRE-WIRED IN THE TEMPERATURE CONTROL PANEL. A REMOTE TEMPERATURE SENSOR FOR EACH THERMOSTAT IS ALSO PROVIDED. MECHANICAL CONTRACTOR SHALL INSTALL ALL WIRING BETWEEN THE THERMOSTAT, THE REMOTE SENSOR AND THE ROOFTOP UNIT.
- MECHANICAL CONTRACTOR SHALL INSTALL CONTROL WIRING IN 1/2" CONDUIT WHERE REQUIRED BY CODE. WHERE NOT REQUIRED TO BE IN CONDUIT, ALL WIRING SHALL BE RUN PARALLEL TO STRUCTURAL MEMBERS OR PERPENDICULAR WITH NO DIAGONAL ROUTING. ALL WIRING SHALL BE SECURED TO THE FRAMING TO PREVENT SAGGING IN RUNS. WIRING TO ROOFTOP UNITS SHALL BE ROUTED THROUGH THE FACTORY THRU-BASE FITTING IN THE UNIT BASE. NO SPLICING OF WIRING WILL BE ACCEPTED. ALL WIRING ABOVE THE ROOF SHALL BE INSTALLED IN EXTERIOR GRADE FLEXIBLE CONDUIT. ALL CONTROL WIRING AND CONTROL WIRING CONDUIT SHALL BE FURNISHED AND INSTALLED BY THE MECHANICAL CONTRACTOR. WIRING SHALL BE INSTALLED IN ACCORDANCE WITH LATEST EDITION OF NEC.

PART III EXECUTION

- FURNISH AND INSTALL SYSTEM IN ACCORDANCE WITH REFERENCED STANDARDS, APPLICABLE CODES, MANUFACTURER'S RECOMMENDATIONS AND AS INDICATED ON DRAWINGS.
- OWNER SHALL TEST AND BALANCE MECHANICAL SYSTEM IN ACCORDANCE WITH NEI OR AABC STANDARDS TO ASSURE CONFORMANCE WITH DESIGN. G.C. WILL MAKE MECHANICAL CONTRACTOR AVAILABLE DURING TEST AND BALANCE TO ASSIST TESTING AGENCY AND TO MAKE CORRECTIONS IMMEDIATELY NECESSARY. CONTRACTOR SHALL CORRECT ITEMS ON WRITTEN TEST AND BALANCE REPORT.
- CONTRACTOR SHALL INSTRUCT THE OWNER'S REPRESENTATIVE IN ALL MATTERS PERTAINING TO THE PROPER MAINTENANCE OF EQUIPMENT FURNISHED UNDER THIS CONTRACT THROUGH DEMONSTRATION AND EXPLANATION OF OPERATING & MAINTENANCE MANUALS.
- CONTRACTOR SHALL PROVIDE A "SAMPLE MAINTENANCE PROPOSAL" TO THE OWNER'S REPRESENTATIVE IN ALL MATTERS PERTAINING TO THE PROPER MAINTENANCE OF EQUIPMENT FURNISHED UNDER THIS CONTRACT.
- CONTRACTOR SHALL COMPLETE A/C EQUIPMENT STARTUP DOCUMENTATION PROVIDED BY OWNER.



5200 Buffington Rd.
Atlanta Georgia,
30349-2998

Revisions:

Mark Date By

△

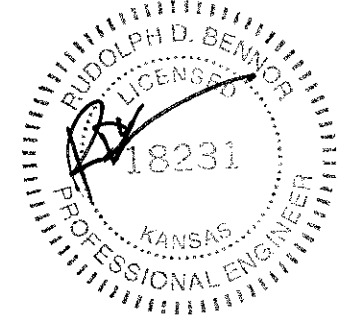
Mark Date By

△

Mark Date By

△

Seal



BENNER ENGINEERING, LLC
9000 Longford Road
Building 2400
Novercross, GA 30071
(770) 729-1422 bus
(770) 729-0490 fax
contact@bennerEng.com



STORE #2501
Plaza @ the Speedway
FSU 508A

10770 Parallel Pkwy
Kansas City, KS

SHEET TITLE
MECHANICAL
SPECIFICATIONS

DWG EDITION 07.1
REVISION -

Job No. : 9060

Store : 2501

Date : 02.15.10

Drawn By : JL/RW

Checked By : RDB

Sheet

M-4.I

CONSTRUCTION SET 03.24.10