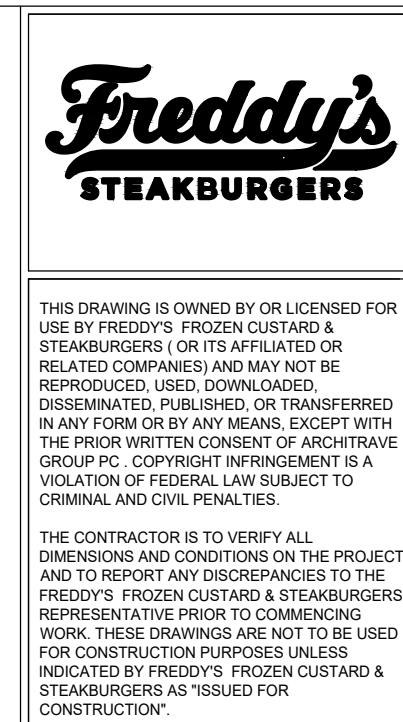


Main body of the document containing detailed specifications for construction, organized into sections A through Z. Includes items like TRANSVERSE JOINTS, LONGITUDINAL SEAMS, and various material and installation requirements.



THE DRAWING IS OWNED BY OR LICENSED FOR THE USE BY FREDDY'S. FREDDY'S EXPRESSLY DISCLAIMS ANY WARRANTIES OR REPRESENTATIONS...

FREDDY'S FROZEN CUSTARD COMMONS AT HOLMDEL - BLOCK 50.35, LOT 1 2136 ROUTE 35 SOUTH - UNIT 200 HOLMDEL, NEW JERSEY

DATE PRINTED: WEDNESDAY, MARCH 12, 2025, 4:53:35 PM

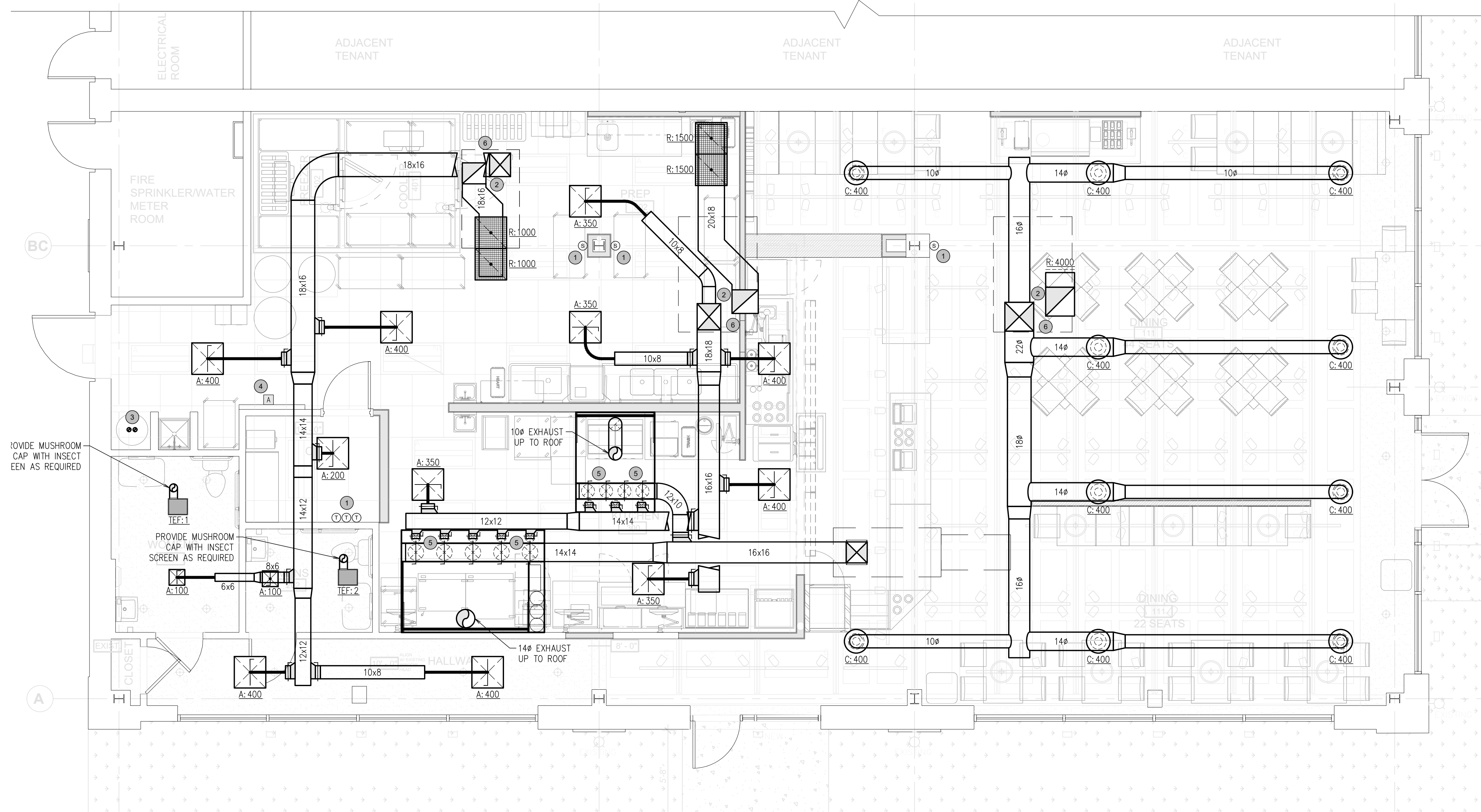
MECHANICAL - SPECIFICATIONS DATE 1/13/2025 REV 3 3/14/2025

DRAWN BY: SC CHECKED BY: JS PROJECT NO: 2524-75 SHEET NO. MO.1

MECHANICAL - SPECIFICATIONS DATE 1/13/2025 REV 3 3/14/2025 DRAWN BY: SC CHECKED BY: JS PROJECT NO: 2524-75 SHEET NO. MO.1

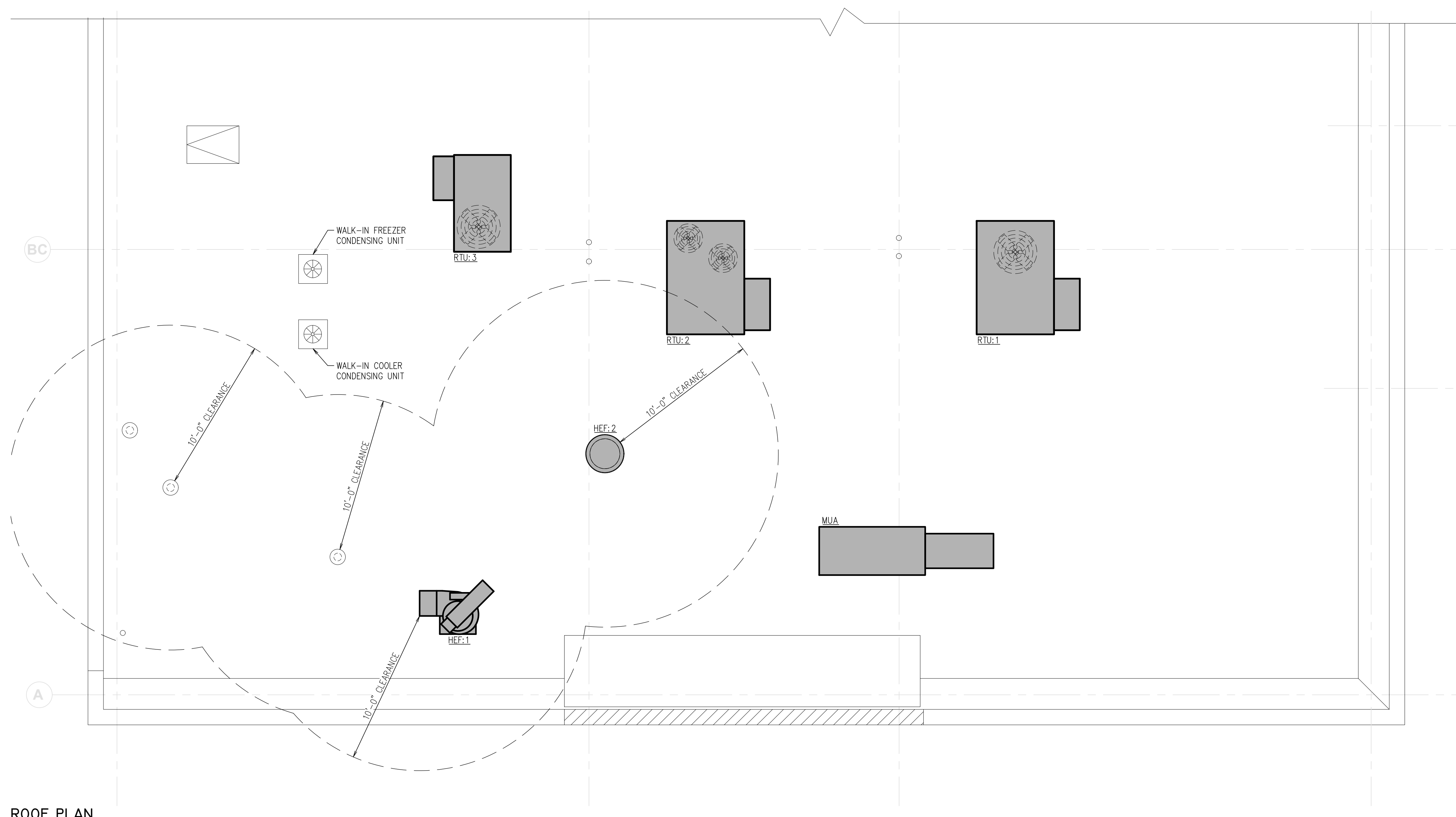
**KEYED NOTES:**

1. PROVIDE AND INSTALL 7-DAY PROGRAMMABLE THERMOSTAT AT MANAGER'S DESK. PROVIDE REMOTE SENSOR 48" AFF AT THE LOCATION INDICATED. COORDINATE EXACT LOCATION WITH ARCHITECT AND OWNER.
2. PROVIDE DUCT SMOKE DETECTORS IN THE SUPPLY AND RETURN DUCT OF EACH UNIT. DUCT SMOKE DETECTOR SHALL BE TIED TO THE FIRE ALARM PANEL, IF PRESENT, OR THEY SHALL SHUT DOWN THE UNIT AS REQUIRED BY CODE REQUIREMENTS. PROVIDE REMOTE TEST AND RESET BUTTONS AT LOCATION INDICATED. THE FIRE ALARM PANEL SHALL BE ABLE TO SHUT DOWN ALL AIR HANDLING UNITS SIMULTANEOUSLY. COORDINATE WITH FIRE ALARM CONTRACTOR.
3. CONCENTRIC VENT LINE FOR COMBUSTION AIR INTAKE/EXHAUST FROM GAS FIRED EQUIPMENT TO ROOF TERMINATION KIT. ROUTE PIPING FROM RESPECTIVE UNIT TO LOCATION INDICATED ON PLAN. ROUTE PIPING WITH MINIMAL AMOUNT OF BENDS AND MINIMUM LENGTH AS REQUIRED BY RESPECTIVE UNIT MANUFACTURER'S REQUIREMENTS.
4. ANSL SYSTEM PULL STATIONS. COORDINATE EXACT LOCATION WITH SYSTEM VENDOR AND FIRE MARSHALL.
5. SUPPLY DUCT DOWN TO HOOD SUPPLY COLLAR. PROVIDE VOLUME DAMPERS. TYPICAL FOR ALL COLLARS.
6. HVAC UNIT SUPPLY AND RETURN DUCTWORK SHALL BE PROPERLY INSULATED. ALL EXPOSED DUCTWORK SHALL BE INTERNALLY INSULATED. ALL CONCEALED DUCTWORK SHALL BE EXTERNALLY INSULATED.



**AIR DISTRIBUTION PLAN**

Scale: 1/4" = 1'-0"



**ROOF PLAN**

Scale: 1/4" = 1'-0"

AIR BALANCE						
UNIT	AREA SERVED	SUPPLY AIR	RETURN AIR	OUTSIDE AIR Volume, % OA	MAKEUP AIR	EXHAUST AIR
RTU:1	DINING ROOM	4,000 CFM	3,200 CFM	800 CFM 20%		500 CFM
RTU:2	KITCHEN	3,000 CFM	2,400 CFM	600 CFM 20%		350 CFM
RTU:3	KITCHEN	2,000 CFM	1,600 CFM	400 CFM 20%		250 CFM
MUA	HOODS				1,900 CFM	
HEF:1	HOODS					1,600 CFM
HEF:2	HOODS					775 CFM
TEF:1	RESTROOM					110 CFM
TEF:2	RESTROOM					110 CFM
<b>TOTALS:</b>		<b>9,000 CFM</b>	<b>7,200 CFM</b>	<b>1,800 CFM</b>	<b>1,900 CFM</b>	<b>3,695 CFM</b>
<b>BUILDING PRESSURE</b>		<b>POSITIVE 5 CFM</b>				
<b>POSITIVE AIR BALANCE OF 0%</b>						

The Contractor Shall Provide An Air Balance Report From An Independent Company To Ensure The Installation Is Within The Design Tolerances Allowed

**VENTILATION CALCULATIONS**

OCCUPIED AREA	AREA Ft <sup>2</sup>	MINIMUM PERSONS PER FT <sup>2</sup>	REQUIRED OUTSIDE AIR CFM PER PERSON	REQUIRED OUTSIDE AIR PER FT <sup>2</sup>	MINIMUM OUTSIDE AIR (CFM)			MINIMUM RESTROOM EXHAUST			REQUIRED EXHAUST AIR PER FT <sup>2</sup>	MINIMUM EXHAUST AIR PER FT <sup>2</sup>	
					OCCUPANTS	AREA	E <sub>r</sub>	Fixture Count	Min CFM per Fixture	Min Req. Exhaust			
Dining Area	1,260	70	89	7.5	0.18	667.5	227	0.80	1,118	-	-	-	-
Corridor	231	0	0	0	0.06	0	14	0.80	17	-	-	-	-
Kitchen	1,128	20	23	7.5	0.12	172.5	135	0.80	385	-	-	0.70	789.60
Office	57	5	1	5	0.06	5	3	0.80	11	-	-	-	-
Men's RR	53	-	-	-	-	-	-	-	1	50	50	-	-
Women's RR	90	-	-	-	-	-	-	-	1	50	50	-	-
<b>DEFAULT OCCUPANT DENSITY</b>					1531 CFM Minimum Outside Air			50 CFM Minimum Exhaust			790 CFM Minimum Exhaust		

E<sub>r</sub> - Zone Air Distribution Effectiveness

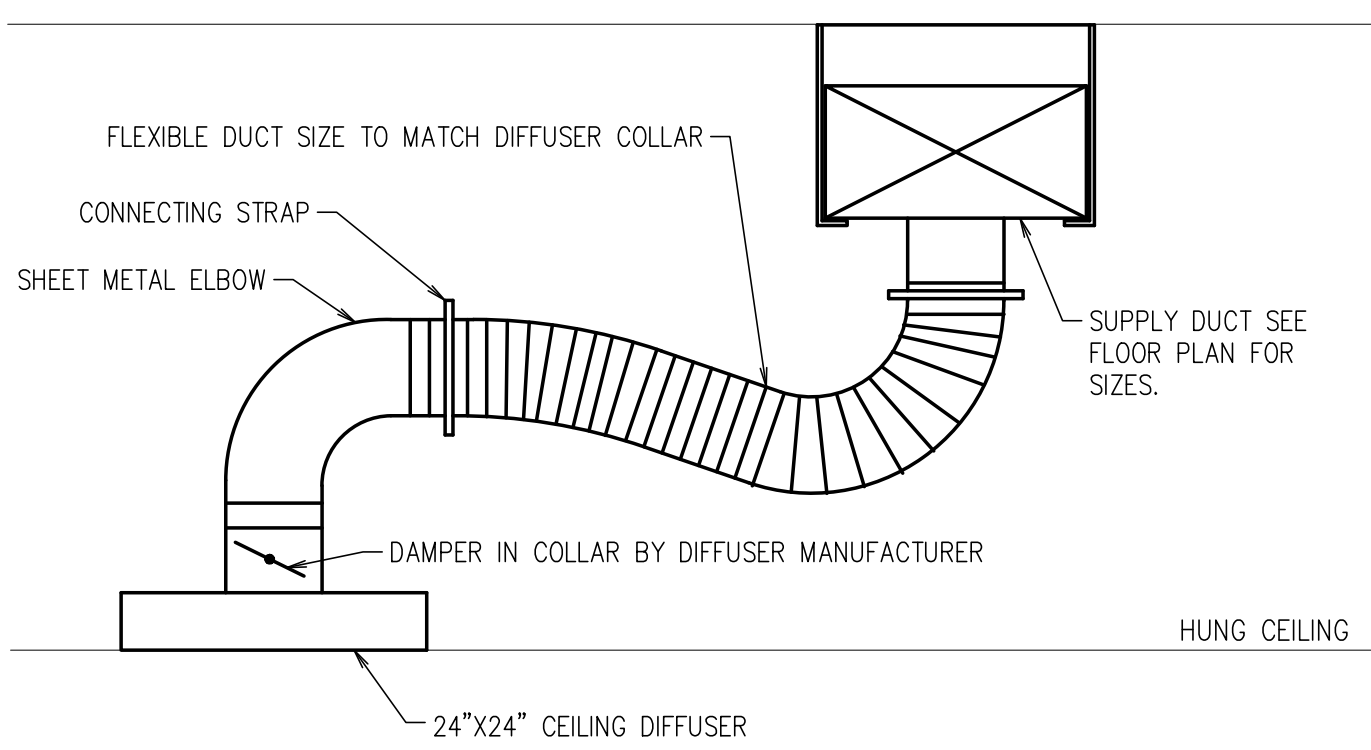
**FREDDY'S FROZEN CUSTARD**  
**COMMONS AT HOLMDEL - BLOCK 50.35, LOT 1**  
**2136 ROUTE 35 SOUTH - UNIT 200**  
**HOLMDEL, NEW JERSEY**

**Architrave**  
GROUP P.C.  
2517 Route 35 - Building E - Suite 101  
Manasquan, New Jersey 08720 | 215-209-0959  
Phone (732) 406-4750  
JOSE C. SANTOS, RA - NJ A18745

**MECHANICAL - AIR DISTRIBUTION PLAN**

DATE  
**1/13/2025**  
REV 1 **3/14/2025**

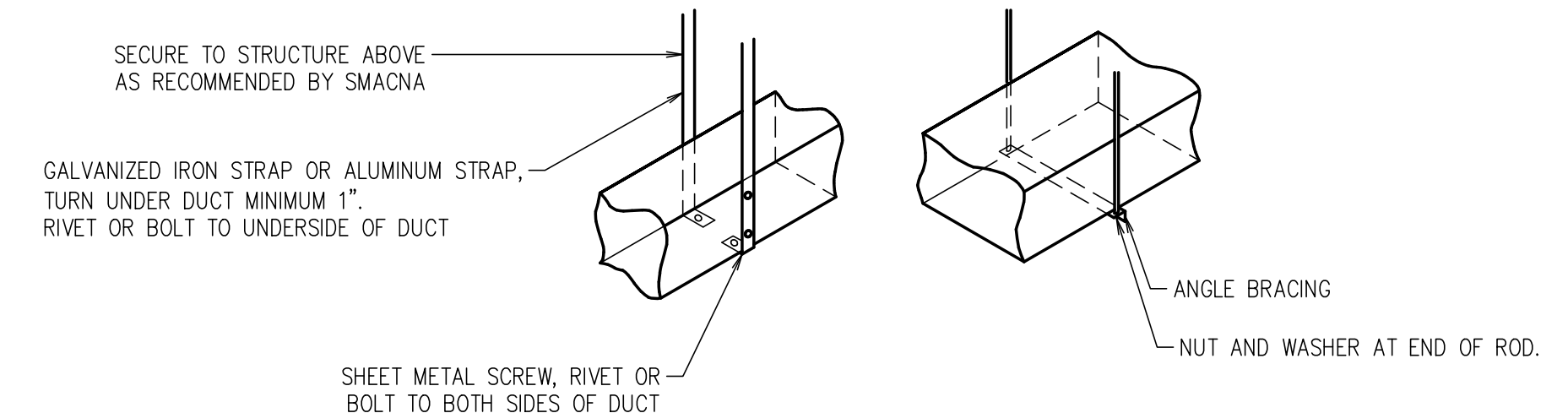
DRAWN BY:  
**SC**  
CHECKED BY:  
**JS**  
PROJECT NO:  
**024-75**  
SHEET NO.  
**M1.1**



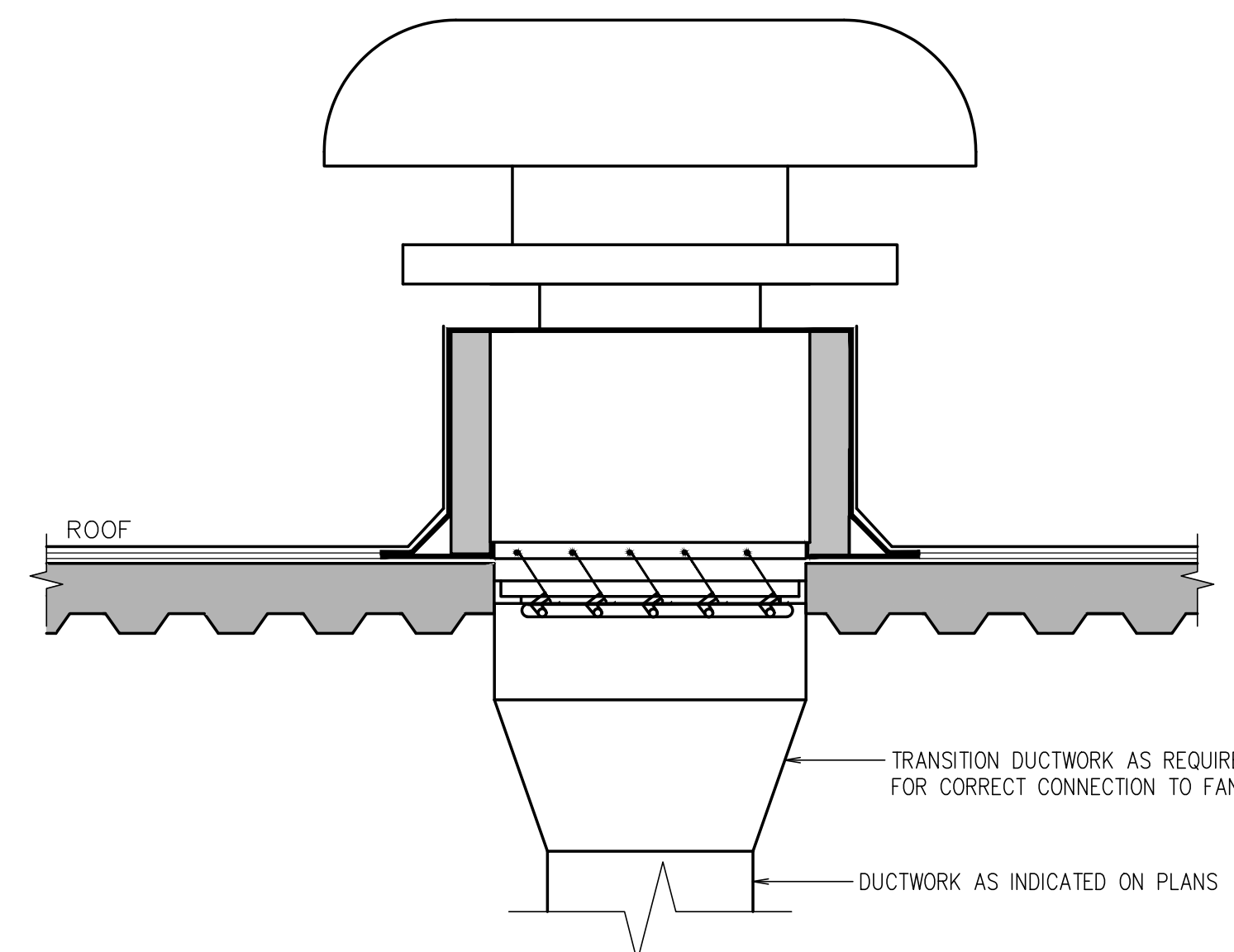
**DIFFUSER CONNECTION DETAIL**

RECTANGULAR DUCT HANGER SCHEDULE (MINIMUM SIZES)

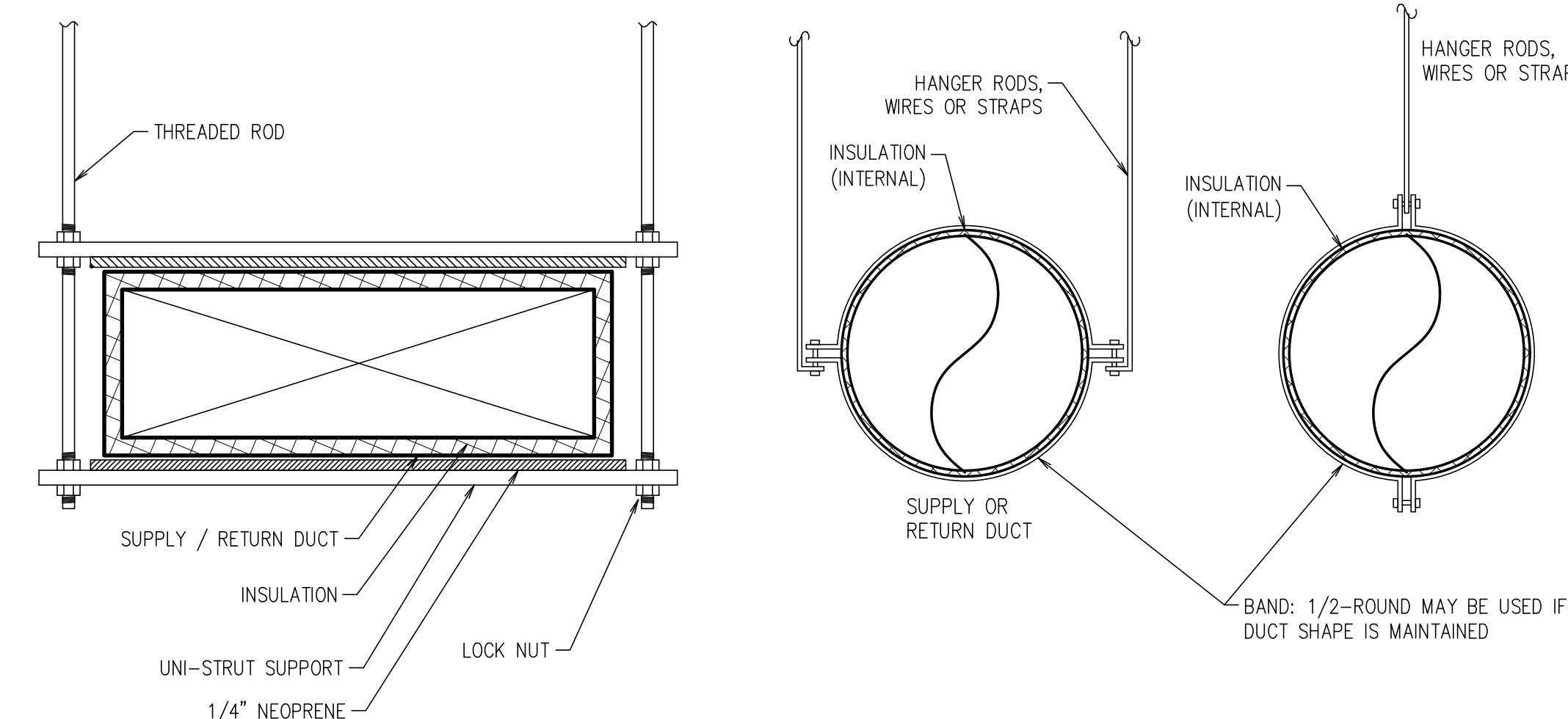
HALF DUCT PERIMETER RANGE	PAIR AT 10' SPACING		PAIR AT 8' SPACING		PAIR AT 5' SPACING		PAIR AT 4' SPACING	
	STRAP	WIRE/ROD	STRAP	WIRE/ROD	STRAP	WIRE/ROD	STRAP	WIRE/ROD
P/2 < 30"	1" x 22 GA.	10 GA. (0.135")	1" x 22 GA.	10 GA. (0.135")	1" x 22 GA.	12 GA. (0.106")	1" x 22 GA.	12 GA. (0.106")
P/2 < 72"	1" x 18 GA.	3/8"	1" x 20 GA.	1/4"	1" x 22 GA.	1/4"	1" x 22 GA.	1/4"
P/2 < 96"	1" x 16 GA.	3/8"	1" x 18 GA.	3/8"	1" x 20 GA.	3/8"	1" x 22 GA.	1/4"
P/2 < 120"	1-1/2" x 16 GA.	1/2"	1" x 16 GA.	3/8"	1" x 18 GA.	3/8"	1" x 20 GA.	1/4"
P/2 < 168"	1-1/2" x 16 GA.	1/2"	1" x 16 GA.	1/2"	1" x 16 GA.	3/8"	1" x 18 GA.	3/8"
P/2 < 192"	-	1/2"	1-1/2" x 16 GA.	1/2"	1" x 16 GA.	3/8"	1" x 16 GA.	3/8"



**DUCT HANGER DETAILS**



**ROOFTOP MUSHROOM CAP**



- NOTES:**  
1. Hangers Must Not Deform Duct Shape. Hang Per Local Seismic Regulations.

**DUCT SUPPORT DETAILS**

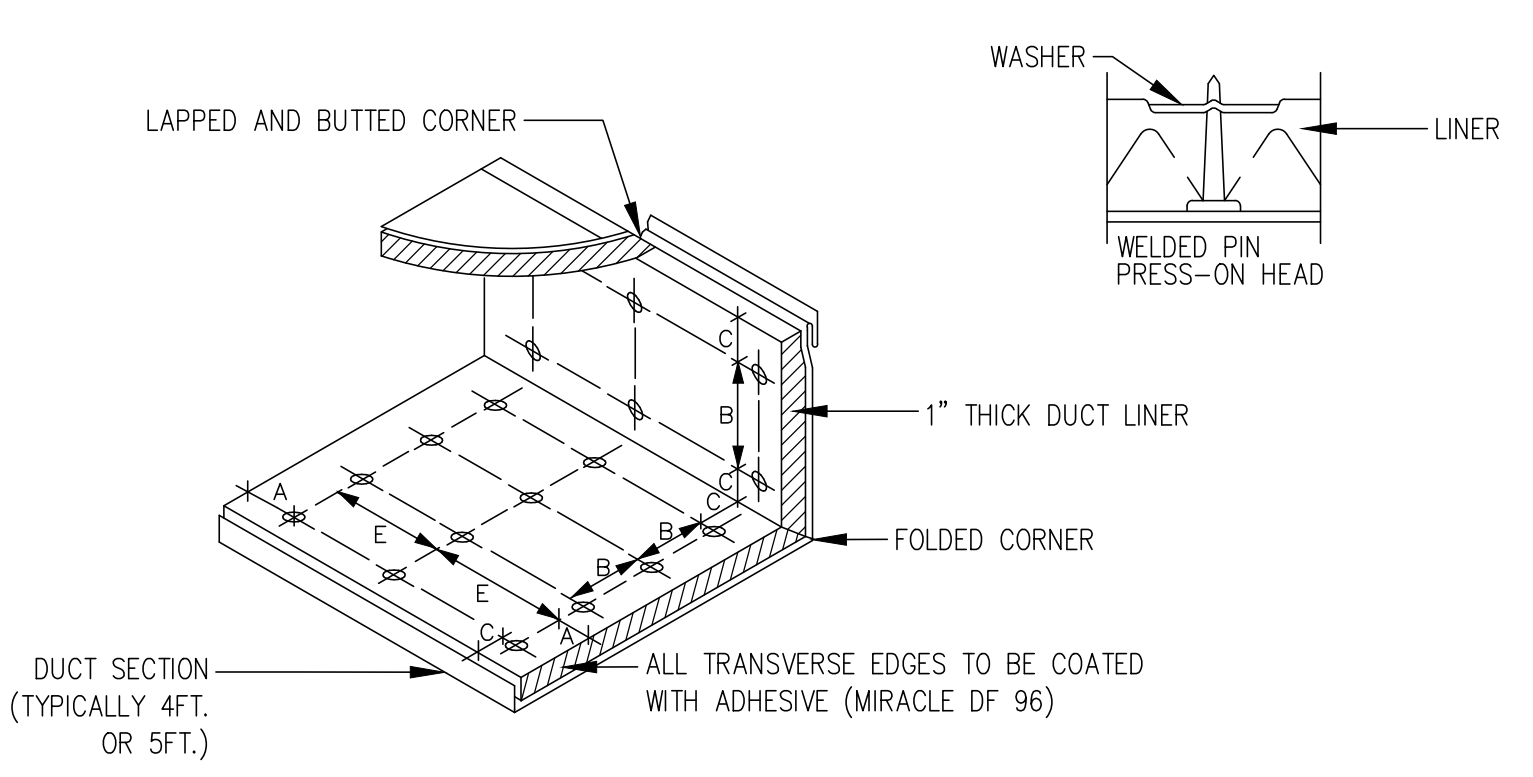
**DIFFUSER AND REGISTER SCHEDULE**

UNIT ID	MANUFACTURER	MODEL	DESCRIPTION	REMARKS
A	TITUS	TMSA-AA	ALUMINUM, FULL LOUVERED FACE, FULL PANEL FACE, ADJUSTABLE DISCHARGE, AND VOLUME CONTROL OPPOSED BLADE DAMPER, MODEL AG-75-AA.	1,2,3,4,5
C	TITUS	TMRB	ALUMINUM ROUND DIFFUSERS AIRFLOW DISCHARGE PATTERN SHALL BE FIELD ADJUSTABLE FROM HORIZONTAL TO VERTICAL WITH VOLUME CONTROL DAMPER.	1,2,5
R	TITUS	50F	ALUMINUM BORDER RETURN GRILLE - 1/2"x1/2"x1/2" ALUMINUM GRID CORE VOLUME CONTROL OPPOSED BLADE DAMPERS, MODEL AG-15-AA. OPERABLE FROM FACE.	1,2,4,5

**NOTES:**  
1. Maximum Noise Criterion Rating < 30 DBA.  
2. Black Finish, Color To Be Selected By Architect.  
3. Diffusers Shall Be 4-Way Blow Unless Otherwise Indicated On Plans.  
4. Mounting Frame Type Shall Be Coord. With Ceiling / Wall Construction Type.  
5. Neck Size Shall Be As Scheduled.  
6. Flexible Ducts Connecting The Diffusers Shall Be Full Size Of Neck Diameter.

**Round Neck Size Schedule**

UP TO 100 CFM	6" DIA
101 TO 225 CFM	8" DIA
226 TO 375 CFM	10" DIA
376 TO 600 CFM	12" DIA
601 TO 900 CFM	14" DIA
901 TO 1500 CFM	16" DIA



VELOCITY	DIMENSIONS			
	A	B	C	E
0-2500 FPM	3"	12"	4"	18"
2501-6000 FPM	3"	6"	4"	16"

- NOTES:**  
1. Maximum Spacing For Fasteners. Actual Intervals Are Approximate.  
2. The Velocity Rated Side Of Liner Must Face The Air Flow.  
3. Liner Adhered To The Duct With 90% Minimum Area Coverage Of Adhesive.

**DUCT LINER INSTALLATION DETAIL**

**FAN SCHEDULE**

UNIT ID	MANUFACTURER	MODEL NO.	TYPE	DRIVE	CFM	FAN RPM	S.P. (IN. W.G.)	MOTOR HP	VOLTS	PHASE	SERVICE	INTERLOCKED	COMMENTS
TEF1-2	GREENHECK	SP-8110	CEILING	DIRECT	110	940	0.125	Frac	120	1	RESTROOMS	LIGHTING	1-6

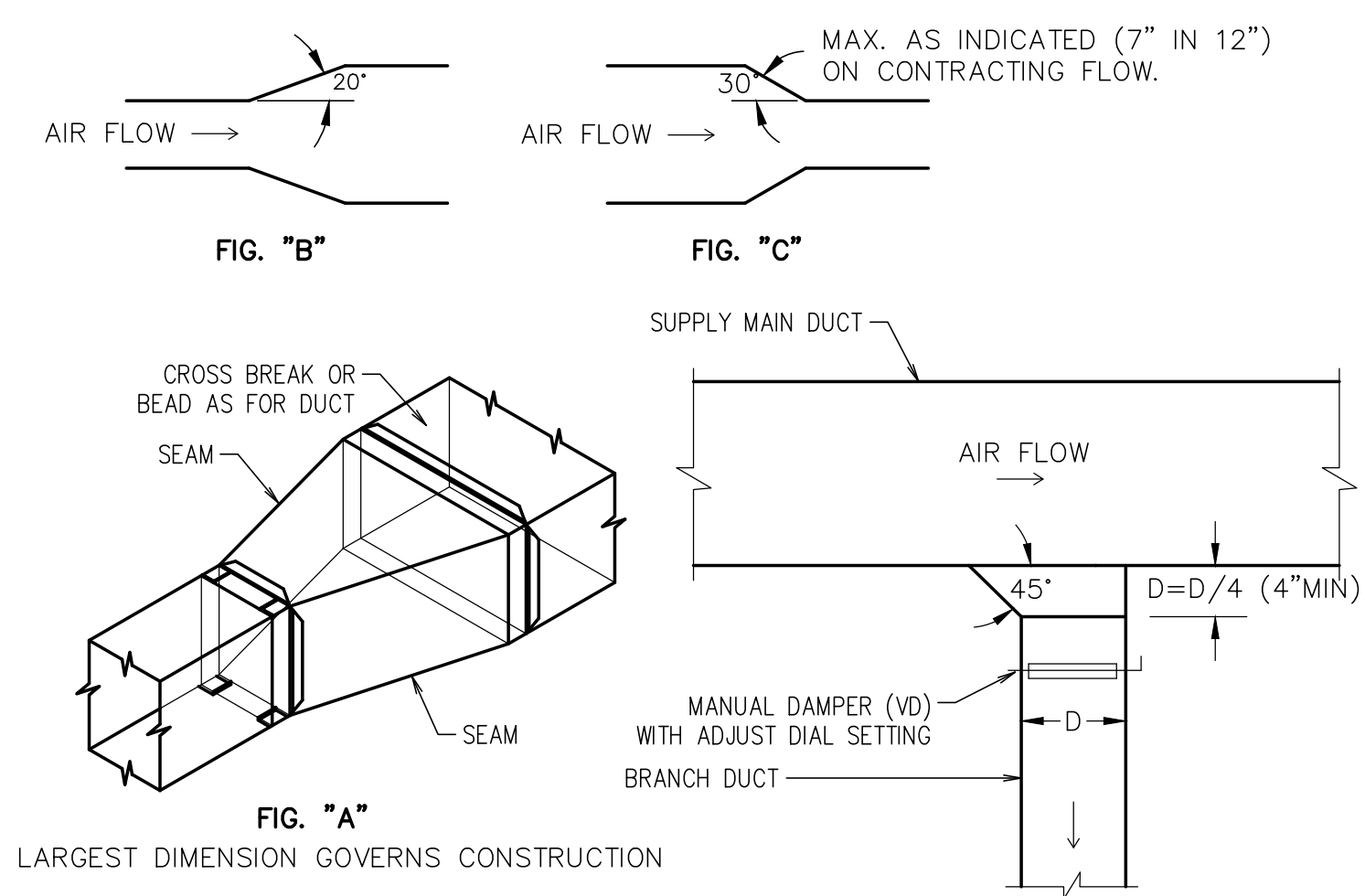
**COMMENTS:**  
1. Provide with Disconnect Switch.  
2. Provide with Backdraft Damper.  
3. Flexible Duct Connections.  
4. Vibration Isolators.  
5. Speed Control Switch Mounted To Fan Cabinet For Exact Balancing.  
6. Exterior Louver

**ROOFTOP UNIT SCHEDULE**

UNIT ID	MANUFACTURER	MODEL NO.	NOMINAL TONS	SUPPLY FAN				GAS HEAT SECTION			COOLING COIL				COMPRESSORS				ELECTRICAL				OPERATING WEIGHT (lbs)	NOTES AND REQUIRED ACCESSORIES
				TOTAL AIR (CFM)	MINIMUM OUTSIDE AIR (CFM)	ESP (W.G.)	INPUT (MBH)	OUTPUT (MBH)	STAGES	TOTAL MBH	SENS. MBH	AMBIENT AIR	EAT db	wb	NO	STAGES	REFRIG	VOLTS	PHASE	MCA	MOCP	EER		
RTU.1	TRANE	YHK120A4S0H**FC0A1A1A0A2	10	4,000	800	0.75	240	194	2	127.6	96.7	95	80	67	2	3	R-410A	480	3	34	45	11.6	1,373	1-15
	YORK	KJ120N24R4DFEAL2A1																						
RTU.2	TRANE	YHK090A4S0M**FC0A1A1A0A2	7.5	3,000	600	0.75	150	122	2	93.6	73	95	80	67	2	3	R-410A	480	3	25	30	12.1	1,292	1-15
	YORK	KJ090N18P4DFEAL2A1																						
RTU.3	TRANE	YHK080A4S0M**FC0A1A1A0A2	5	2,000	400	0.75	100	87	2	62.5	45	95	80	67	2	2	R-410A	480	3	21	25	13	1,191	1-15
	YORK	KJ081N12B4DFEAL2A1																						

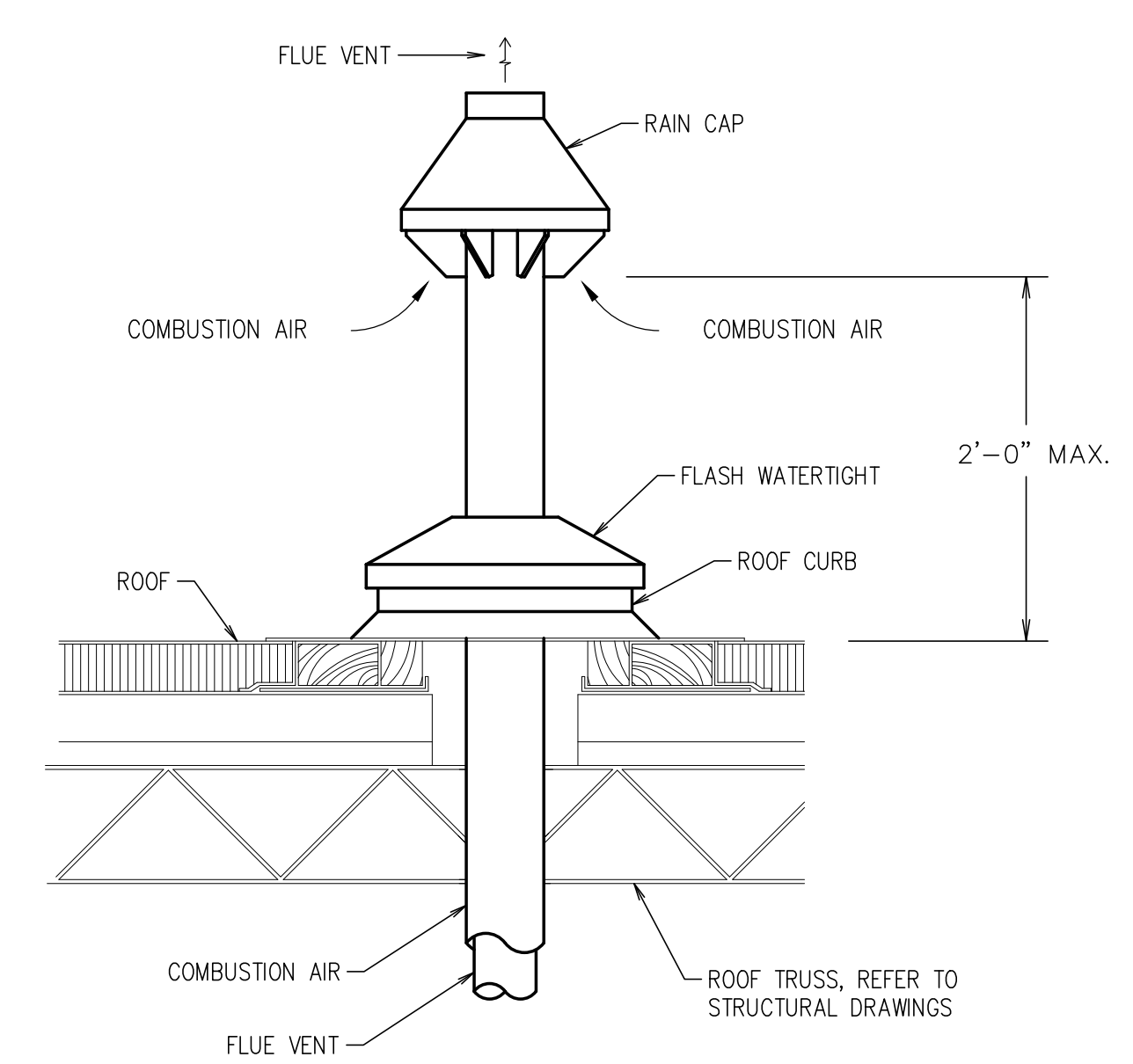
**NOTES:**  
1. Cooling capacity indicated in schedule based on standard conditions db/wb - 80/67 °F.  
2. Insulated roof curb, 14" (sloped to match pitch of roof, refer to architectural drawings).  
3. Cabinet with 3/4" fiberglass insulation and hinged access doors.  
4. Condensate drain with 2" deep vented trap discharge to splash block on roof.  
5. Weatherproof non-fused, handle type disconnect switch. Verify Voltage  
6. Factory installed GFCI receptacle - Unit Powered.  
7. Duct Smoke Detector - unit mounted, Return, Supply or Both per Code  
8. Programmable thermostat (24 hour, 7-day) with remote sensor capability. Provide remote sensors when indicated.  
9. Throwaway 2" filters (MERV 8).  
10. Multiple stage gas valve if available with unit.  
11. Anti short cycle timer.  
12. Factory installed differential enthalpy economizer with power exhaust.  
13. Control board capable of handling a DCV system to provide operational control of outside air damper.  
14. Hot gas reheat with associated controls and sensors for dehumidification control.  
15. Variable Frequency Drive (VFD) with Variable Air Volume (VAV) control.

**THE MECHANICAL CONTRACTOR SHALL VERIFY, IN WRITING, THE VOLTAGE OF ALL MECHANICAL EQUIPMENT WITH THE ELECTRICAL CONTRACTOR PRIOR TO SUBMITTING ORDER TO EQUIPMENT VENDOR.**



- NOTE:**  
1. Duct Transitions Typical After Each Take-Off(s) Where Change in Duct Size is Indicated.

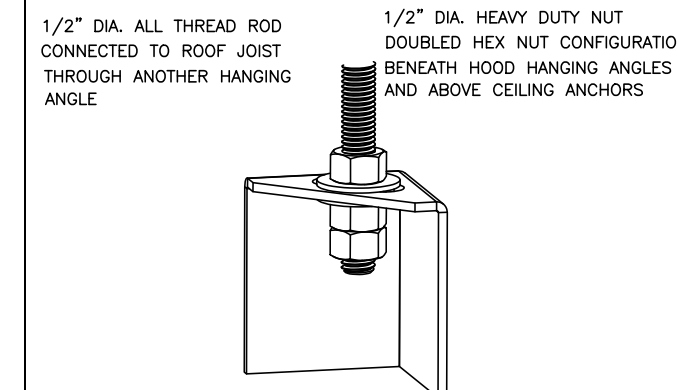
**DUCT TRANSITION DETAILS**



- COMMENTS:**  
1. TYPICAL ONLY FOR PIPES WITH TEMPERATURES LESS THAN 250F.  
2. ROOF PENETRATION SHALL BE WEATHERPROOF.  
3. PITCH FLUE PIPING BACK TOWARDS UNIT.  
4. ONE (1) FOR EACH UNIT.

**WATER HEATER CONCENTRIC VENT DETAIL**

**ND-2 HANGING ANGLE DETAIL**



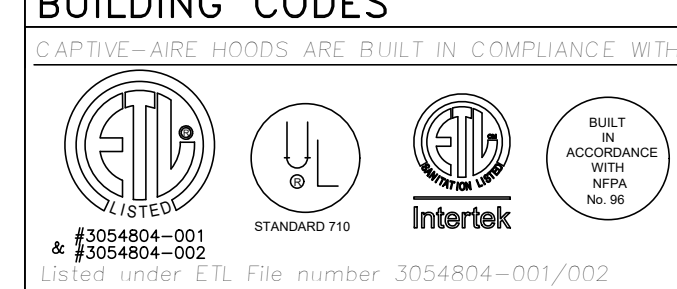
**HANGING ANGLE LOCATIONS**

HOOD STYLE	DIM FROM REAR	DIM FROM FRONT (24\"/>	
CANOPY ND2	4.166"	2.246"	2.246"
ND2-PSP-F	4.166"	2.246"	2.246"
BACKSHELF BD-2	4.166"	2.246"	-
VHB/VHB-C	36"X36"	42"X42"	48"X48"
FRONT/BACK DIMS BY SIZE	2.246"	2.246"	2.246"

**CALCULATIONS UTILIZED**

EXHAUST CAPACITY OF HOOD X CFM (AULT. LOSS)  
 SUPPLY CFM=EXHAUST CFM X PERFORMANCE REQUIRED  
 TOTAL DUCT AREA=144 X  
 DUCT LENGTH= TOTAL DUCT AREA  
 DUCT DEPTH=

**BUILDING CODES**



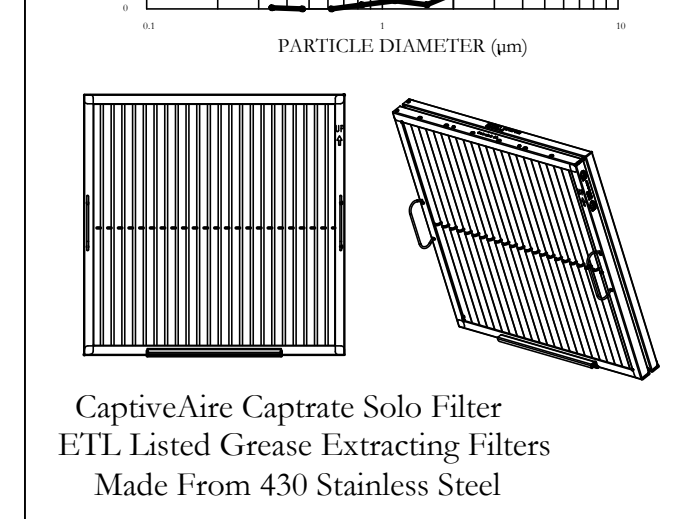
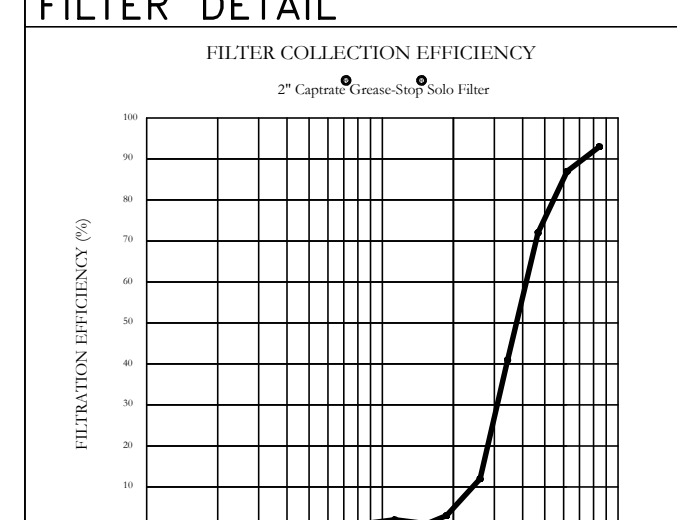
**CLEARANCE TO COMBUSTIBLES**

MATERIAL	CLEARANCE REDUCTION SYSTEM
NON-COMBUSTIBLE	NONE REQUIRED
LIMITED-COMBUSTIBLE	3" UNSHROTTED STANDOFF
COMBUSTIBLE	1" INSULATED STANDOFF

**GENERAL NOTES**

1. ALL ELECTRICAL "FIELD" CONNECTIONS AND RELATED INTERCONNECTIONS BY ELECTRICAL CONTRACTORS.
2. ALL PLUMBING "FIELD" CONNECTIONS AND RELATED INTERCONNECTIONS BY PLUMBING CONTRACTORS.
3. HANGING BRACKETS LOCATED AND WELDED AS SHOWN ON PLANS. ALL OTHER HANGER MATERIALS PROVIDED BY INSTALLING CONTRACTORS.
4. ALL CONNECTIONS FROM CAPTIVE-AIRE HOODS TO MECHANICAL CONTRACTOR'S PLANS.
5. COOKING EQUIPMENT TO SHUTOFF IN EVENT OF FIRE.
6. EXHAUST FANS TO TURN ON IN EVENT OF FIRE.
7. ALL LIGHTS/FIXTURES SHOWN INSTALLED BY CAPTIVE-AIRE ARE FACTORY-FREREDES. INTERCONNECTIONS BETWEEN HOODS AND TO SWITCHES BY ELECTRICAL CONTRACTORS.
8. SEISMIC RESTRAINTS ARE RESPONSIBILITY OF INSTALLING CONTRACTOR.
9. INSTALLING CONTRACTORS ASSUME ALL RELATED RESPONSIBILITY FOR VERIFICATION OF DIMENSIONAL DATA CONTAINED ON THESE DOCUMENTS FOR ACCURACY, INTEGRATION, AND ADHERENCE TO ALL CODE REQUIREMENTS IN EFFECT PRIOR TO ANY RELEASE FOR PRODUCTION OF EQUIPMENT SHOWN.
10. KITCHEN HOODS MUST BE BALANCED WITH KITCHEN.
11. KITCHEN SHALL BE NEGATIVE WITH RESPECT TO AMBIENT PRESSURE.
12. RESTAURANT SHALL BE POSITIVE WITH RESPECT TO AMBIENT PRESSURE.
13. WRITTEN HOOD DIMENSIONS HAVE PRECEDENCE OVER SCALE.
14. SIGNED AND "APPROVED" COPIES OF THIS DOCUMENT MUST BE RECEIVED BY THE FACTORY PRIOR TO COMMENCEMENT OF FABRICATION.

**INSTALLATION**



CaptiveAire Captrate Solo Filter  
 ETL Listed Grease Extracting Filters  
 Made From 430 Stainless Steel

**HOOD INFORMATION - JOB#738629**

HOOD NO	TAG	MODEL	MANUFACTURER	LENGTH	MAX COOKING TEMP	TYPE	APPLIANCE DUTY	DESIGN CFM/FIT	TOTAL EIM CFM	EXHAUST FLENUM (RINGS)	WIDTH	LENG	HEIGH	DIA	CFM	VEL	SP	MUA CFM	AC CFM	HOOD CONSTRUCTION	HOOD ENDS	BROW	HOOD CONFIG
1	ITEM 33A	5424	CAPTIVEAIRE	8'0"	450 DEG	I	MEDIUM	200	1600	4"	14"	1600	1407	-0.734"	1280	500	430 SS	WHERE EXPOSED	ALONE	FRONT	ALONE	ALONE	
2	ITEM 33B	ND-2-ACPS-P-F	CAPTIVEAIRE	8'0"	450 DEG	I	MEDIUM	155	775	4"	10"	775	1421	-0.430"	620	339	430 SS	WHERE EXPOSED	ALONE	FRONT	ALONE	ALONE	

**HOOD INFORMATION**

HOOD NO	TAG	TYPE	QTY	HEIGHT	LENGTH	EFFICIENCY	FIMICONS	QTY	TYPE	WIRE GAUGE	LOCATION	SIZE	TYPE	SIZE	MODEL	QUANTITY	FIRE SYSTEM	HOOD HANGING PIPING	WEIGHT	
1	ITEM 33A	CAPTIVATE SOLO FILTER	5	10"	10"	85	SEE FILTER SPEC	2	RECESSED ROUND	NO	LEFT	12"x6"x24"	TANK FS	4.04	04.0	DCV-2111	1 FAN	YES	1064	449
2	ITEM 33B	CAPTIVATE SOLO FILTER	3	10"	10"	85	SEE FILTER SPEC	2	RECESSED ROUND	NO	NO						YES	468	449	

**HOOD OPTIONS**

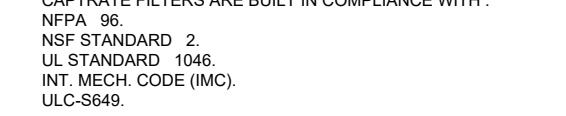
NO	TAG	OPTION
1	ITEM 33A	FIELD WRAPPER 18.00" HIGH FRONT, LEFT, RIGHT RIGHT END STANDOFF (FINISHED) 1" WIDE 50" LONG INSULATED LEFT QUARTER END PANEL 22" TOP WIDTH, 0" BOTTOM WIDTH, 22" HIGH 430 SS RIGHT QUARTER END PANEL 22" TOP WIDTH, 0" BOTTOM WIDTH, 22" HIGH 430 SS INSULATION FOR TOP OF HOOD INSULATION FOR BACK OF HOOD
2	ITEM 33B	FIELD WRAPPER 18.00" HIGH FRONT, LEFT, RIGHT LEFT QUARTER END PANEL 22" TOP WIDTH, 0" BOTTOM WIDTH, 22" HIGH 430 SS INSULATION FOR TOP OF HOOD INSULATION FOR BACK OF HOOD RISER SENSOR INSTALL ON FLENUM

**PERFORATED SUPPLY PLenums(S)**

HOOD NO	TAG	POS	LENGTH	WIDTH	HEIGHT	TYPE	WIDTH	LENG	DIA	CFM	SP
1	ITEM 33A	Front	100"	24"	6"	MUA	12"	256	0.084"		
						MUA	12"	256	0.084"		
						MUA	12"	256	0.084"		
						MUA	12"	256	0.084"		
						AC	8"	100	0.032"		
						AC	8"	100	0.032"		
						AC	8"	100	0.032"		
						AC	8"	100	0.032"		
						MUA	10"	155	0.047"		
						MUA	10"	155	0.047"		
						MUA	10"	155	0.047"		
						AC	8"	103	0.034"		
						AC	8"	103	0.034"		

**SPECIFICATION CAPTIVATE GREASE STOP SOLO FILTER**

THE CAPTIVATE GREASE STOP SOLO FILTER IS A SINGLE-STAGE FILTER FEATURING A UNIQUE DESIGN IN CONJUNCTION WITH A BOTTLED REAR Baffle DESIGN TO DELIVER EXCEPTIONAL FILTRATION EFFICIENCY.  
 FILTER IS STAINLESS STEEL CONSTRUCTION, AND SIZED TO FIT INTO STANDARD 2-INCH DEEP HOOD CHANNELS.  
 UNITS SHALL INCLUDE STAINLESS STEEL HANDLES AND A FASTENING DEVICE TO SECURE THE TWO COMPONENTS WHEN ASSEMBLED.  
 GREASE EXTRACTION EFFICIENCY PERFORMANCE SHALL REMOVE AT LEAST 75% OF GREASE PARTICLES PER MICRONS IN SIZE, AND 95% GREASE PARTICLES BEYOND MICRONS IN SIZE AND LARGER, WITH A CORRESPONDING PRESSURE DROP NOT TO EXCEED 1.0 INCHES OF WATER GAUGE.  
 THE CAPTIVATE GREASE STOP SOLO WAS TESTED TO ASTM STANDARD ASTM F655-05 MANUFACTURER APPROVED FOR USE IN SOLID FUEL APPLICATIONS AS A SPARK ARRESTER.  
 EFFICIENCY VS. PARTICLE SIZE TABLE



FOR QUESTIONS, CALL THE KANSAS CITY REGIONAL OFFICE  
 1126 SWIFT STREET, KANSAS CITY, MO 64116  
 PHONE: (816) 221-8575  
 FAX: (816) 221-8311

**CUSTOMER APPROVAL TO MANUFACTURE**

A. In set as noted

A. In set with NCE or 501 To on

Re Use and Reuse

SIGNATURE \_\_\_\_\_

Your Title \_\_\_\_\_ Date \_\_\_\_\_

**NOTE**

ALL WALLS AND STRUCTURES THAT COME WITHIN 18" OF HOOD MUST BE METAL STUDS AND SHEETROCK WITHIN 18" OF HOOD NO ALLOWED.

**NOTE**

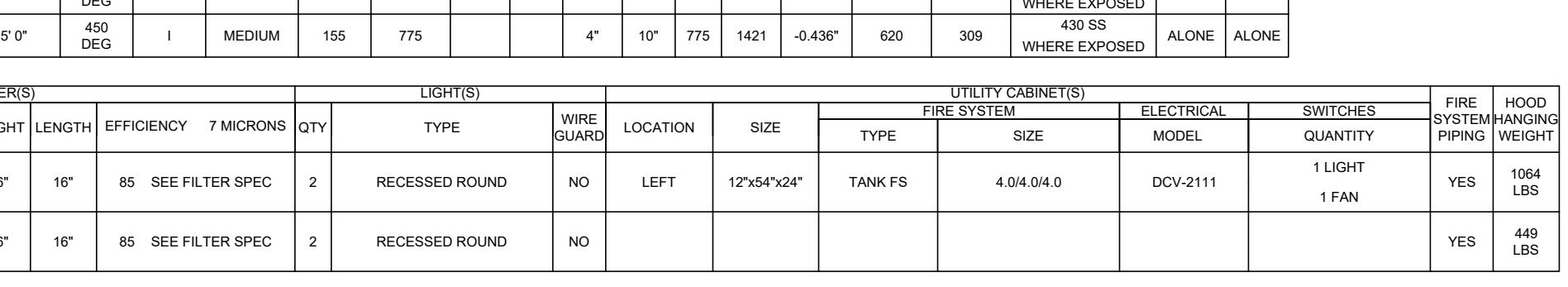
HOOD MANUFACTURER RECOMMENDS NO RETURNS OR AWAY OFFISERS WITHIN 10 FEET OF HOOD IN ALL DIRECTION.

**NOTE**

MAKEUP AIR SHALL BE DELIVERED INTO SPACE IN MANNER THAT WILL NOT DISRUPT HOODS ABILITY TO CAPTURE AND CONTAIN.

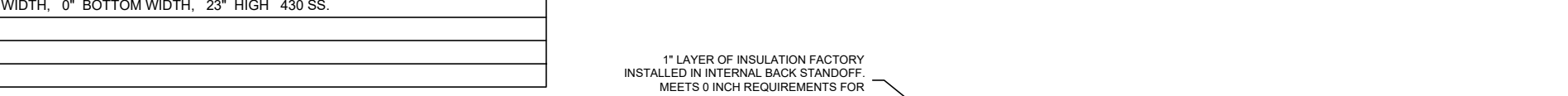
**PATENT NUMBERS**

AC-PSP (UNITED STATES) - US PATENT 7368380 B2  
 AC-PSP (CANADA) - CA PATENT 202008  
 AC-PSP (ISLAND (CANADA)) - CA PATENT 250330



**ASSEMBLY INSTRUCTIONS**

HANGING ANGLE MUST BE SUPPORTED WITH 1/2" - 13 TRIP GRADE 5 (MINIMUM ALL-THREAD) HANGING ANGLES AND CEILING ANCHOR POINTS WITH 1/2" GRADE 5 (MINIMUM) STEEL FLAT WASHERS AND 1/2" - 13 TRIP GRADE 5 (MINIMUM) HEX NUTS AS SHOWN. MUST USE DOUBLED HEX NUT CONFIGURATION BENEATH HOOD HANGING ANGLES AND ABOVE CEILING ANCHORS. MAINTAIN 1/4" OF EXPOSED THREADS BENEATH BOTTOM HEX NUT. TORQUE ALL HEX NUTS TO 57 FT-LBS.



**ASSEMBLY INSTRUCTIONS**

HANGING ANGLE MUST BE SUPPORTED WITH 1/2" - 13 TRIP GRADE 5 (MINIMUM ALL-THREAD) HANGING ANGLES AND CEILING ANCHOR POINTS WITH 1/2" GRADE 5 (MINIMUM) STEEL FLAT WASHERS AND 1/2" - 13 TRIP GRADE 5 (MINIMUM) HEX NUTS AS SHOWN. MUST USE DOUBLED HEX NUT CONFIGURATION ABOVE CEILING ANCHORS. SINGLE HEX NUT BENEATH HANGING ANGLE IS ACCEPTABLE FOR FULL LENGTH HANGING ANGLES. MAINTAIN 1/4" OF EXPOSED THREADS BENEATH BOTTOM HEX NUT. TORQUE ALL HEX NUTS TO 57 FT-LBS.

**ASSEMBLY INSTRUCTIONS**

HANGING ANGLE MUST BE SUPPORTED WITH 1/2" - 13 TRIP GRADE 5 (MINIMUM ALL-THREAD) HANGING ANGLES AND CEILING ANCHOR POINTS WITH 1/2" GRADE 5 (MINIMUM) STEEL FLAT WASHERS AND 1/2" - 13 TRIP GRADE 5 (MINIMUM) HEX NUTS AS SHOWN. MUST USE DOUBLED HEX NUT CONFIGURATION ABOVE CEILING ANCHORS. SINGLE HEX NUT BENEATH HANGING ANGLE IS ACCEPTABLE FOR PSP HANGING ANGLES. MAINTAIN 1/4" OF EXPOSED THREADS BENEATH BOTTOM HEX NUT. TORQUE ALL HEX NUTS TO 57 FT-LBS.

**REVISIONS**

NO	DESCRIPTION	DATE
1		
2		
3		
4		

www.aire.com

HBT Foodservice

104 W 9th St Suite 204, Kansas City, MO 64106 PHONE: (816) 221-8575 FAX: (816) 221-8311 EMAIL: reg@aire.com

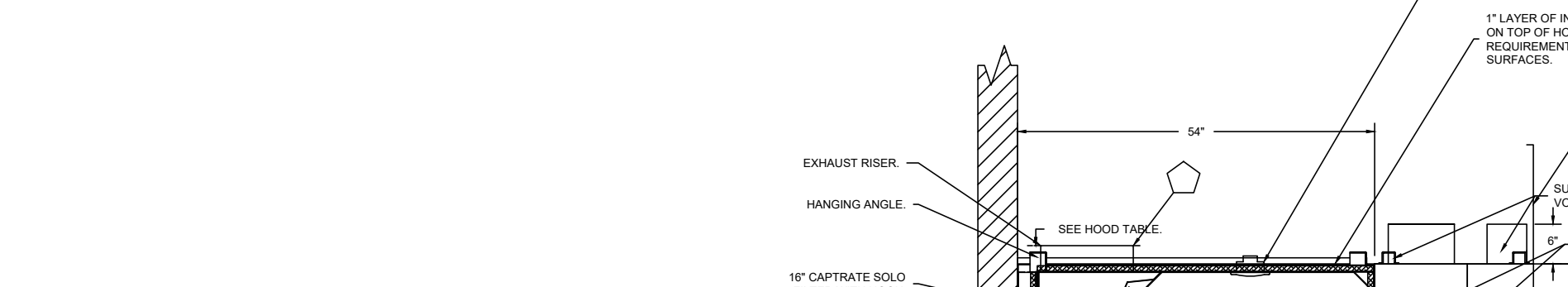
**PLAN VIEW - HOOD #1 (ITEM 33A)**



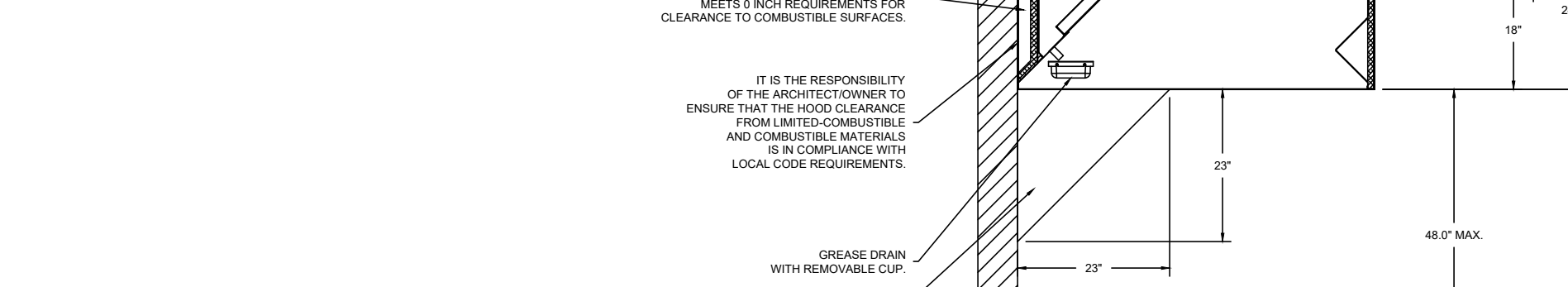
**PLAN VIEW - HOOD #2 (ITEM 33B)**



**SECTION VIEW - MODEL 5424ND-2-ACPS-P HOOD - #1 (ITEM 33A)**



**SECTION VIEW - MODEL 5424ND-2-ACPS-P HOOD - #2 (ITEM 33B)**



**CLEARANCE TO COMBUSTIBLES**

HOODS	SURFACE	CLEARANCE
1	TOP	0"
	FRONT	0"
	BACK	0"
	RIGHT	0"
2	TOP	0"
	FRONT	0"
	BACK	0"
	RIGHT	18"

\* IF CLEARANCE TO COMBUSTIBLES CONFORMS TO UL70 STANDARD.  
 - HOOD MOUNTED UTILITY CABINETS REQUIRE 30" SURFACE CLEARANCE.

**REVISIONS**

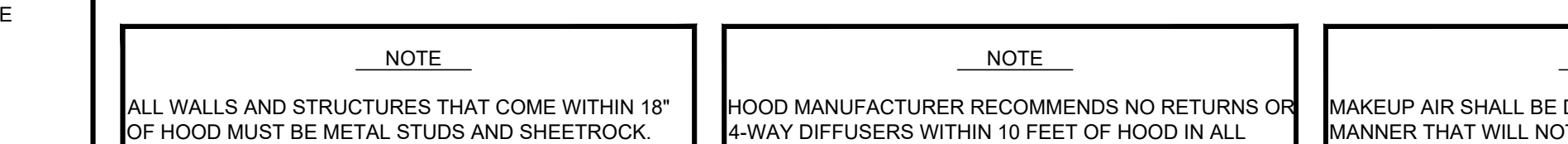
NO	DESCRIPTION	DATE
1		
2		
3		
4		

www.aire.com

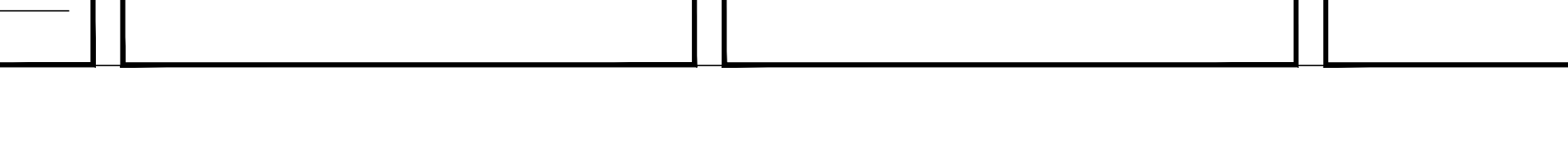
HBT Foodservice

104 W 9th St Suite 204, Kansas City, MO 64106 PHONE: (816) 221-8575 FAX: (816) 221-8311 EMAIL: reg@aire.com

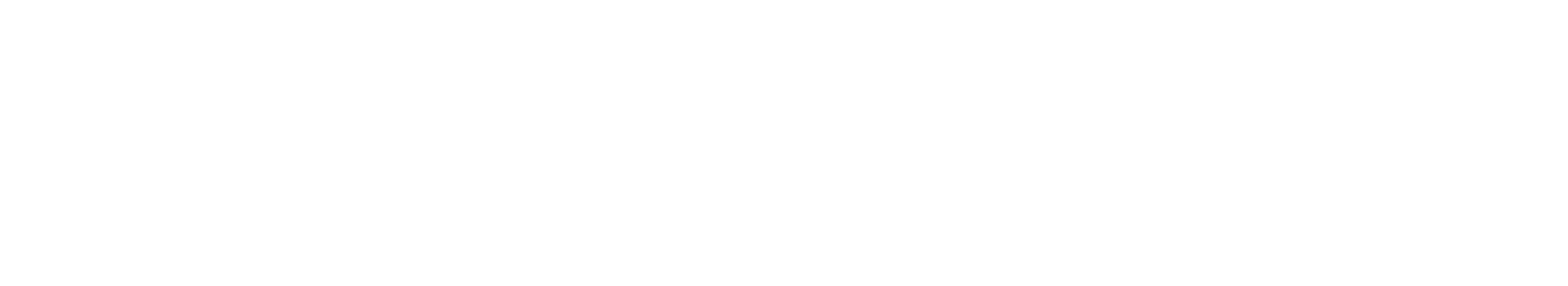
**PLAN VIEW - HOOD #1 (ITEM 33A)**



**PLAN VIEW - HOOD #2 (ITEM 33B)**



**SECTION VIEW - MODEL 5424ND-2-ACPS-P HOOD - #1 (ITEM 33A)**



**SECTION VIEW - MODEL 5424ND-2-ACPS-P HOOD - #2 (ITEM 33B)**



**CLEARANCE TO COMBUSTIBLES**

HOODS	SURFACE	CLEARANCE
1	TOP	0"
	FRONT	0"
	BACK	0"
	RIGHT	0"
2	TOP	0"
	FRONT	0"
	BACK	0"
	RIGHT	18"

\* IF CLEARANCE TO COMBUSTIBLES CONFORMS TO UL70 STANDARD.  
 - HOOD MOUNTED UTILITY CABINETS REQUIRE 30" SURFACE CLEARANCE.

**REVISIONS**

NO	DESCRIPTION	DATE
1		
2		
3		
4		

www.aire.com

HBT Foodservice

104 W 9th St Suite 204, Kansas City, MO 64106 PHONE: (816) 221-8575 FAX: (816) 221-8311 EMAIL: reg@aire.com

**PLAN VIEW - HOOD #1 (ITEM 33A)**



**PLAN VIEW - HOOD #2 (ITEM 33B)**



**SECTION VIEW - MODEL 5424ND-2-ACPS-P HOOD - #1 (ITEM 33A)**



**SECTION VIEW - MODEL 5424ND-2-ACPS-P HOOD - #2 (ITEM 33B)**



**CLEARANCE TO COMBUSTIBLES**

HOODS	SURFACE	CLEARANCE
1	TOP	0"
	FRONT	0"
	BACK	0"
	RIGHT	0"
2	TOP	0"
	FRONT	0"
	BACK	0"
	RIGHT	18"

\* IF CLEARANCE TO COMBUSTIBLES CONFORMS TO UL70 STANDARD.  
 - HOOD MOUNTED UTILITY CABINETS REQUIRE 30" SURFACE CLEARANCE.

**REVISIONS**

NO	DESCRIPTION	DATE
1		
2		
3		
4		

www.aire.com

HBT Foodservice

104 W 9th St Suite 204, Kansas City, MO 64106 PHONE: (816) 221-8575 FAX: (816) 221-8311 EMAIL: reg@aire.com

**PLAN VIEW - HOOD #1 (ITEM 33A)**



**PLAN VIEW - HOOD #2 (ITEM 33B)**



**SECTION VIEW - MODEL 5424ND-2-ACPS-P HOOD - #1 (ITEM 33A)**



**SECTION VIEW - MODEL 5424ND-2-ACPS-P HOOD - #2 (ITEM 33B)**



**CLEARANCE TO COMBUSTIBLES**

HOODS	SURFACE	CLEARANCE
1	TOP	0"
	FRONT	0"
	BACK	0"
	RIGHT	0"
2	TOP	0"
	FRONT	0"
	BACK	0"
	RIGHT	18"

\* IF CLEARANCE TO COMBUSTIBLES CONFORMS TO UL70 STANDARD.  
 - HOOD MOUNTED UTILITY CABINETS REQUIRE 30" SURFACE CLEARANCE.

**REVISIONS**

NO	DESCRIPTION	DATE
1		
2		
3		
4		

www.aire.com

HBT Foodservice

104 W 9th St Suite 204, Kansas City, MO 64106 PHONE: (816) 221-8575 FAX: (816) 221-8311 EMAIL: reg@aire.com

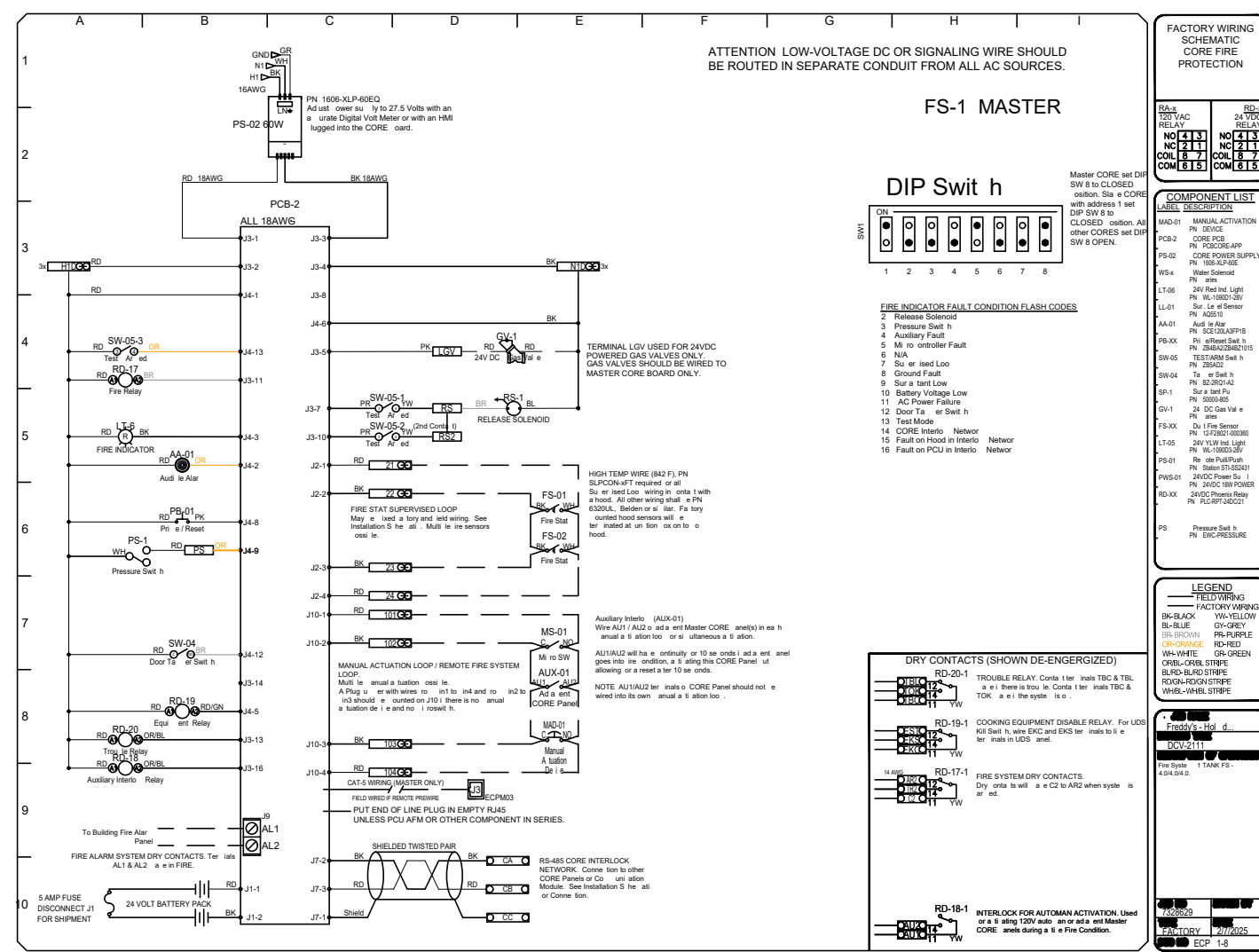
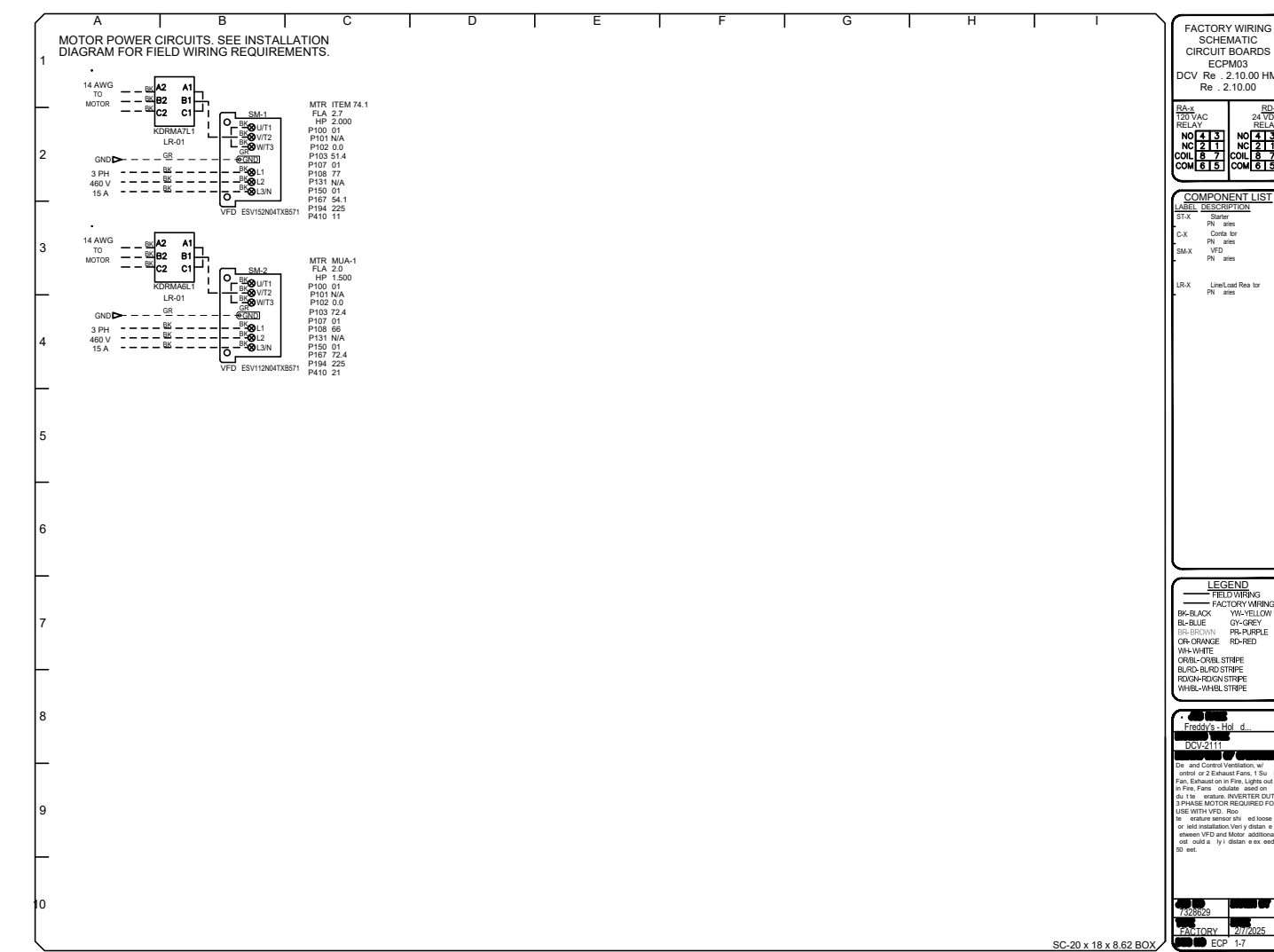
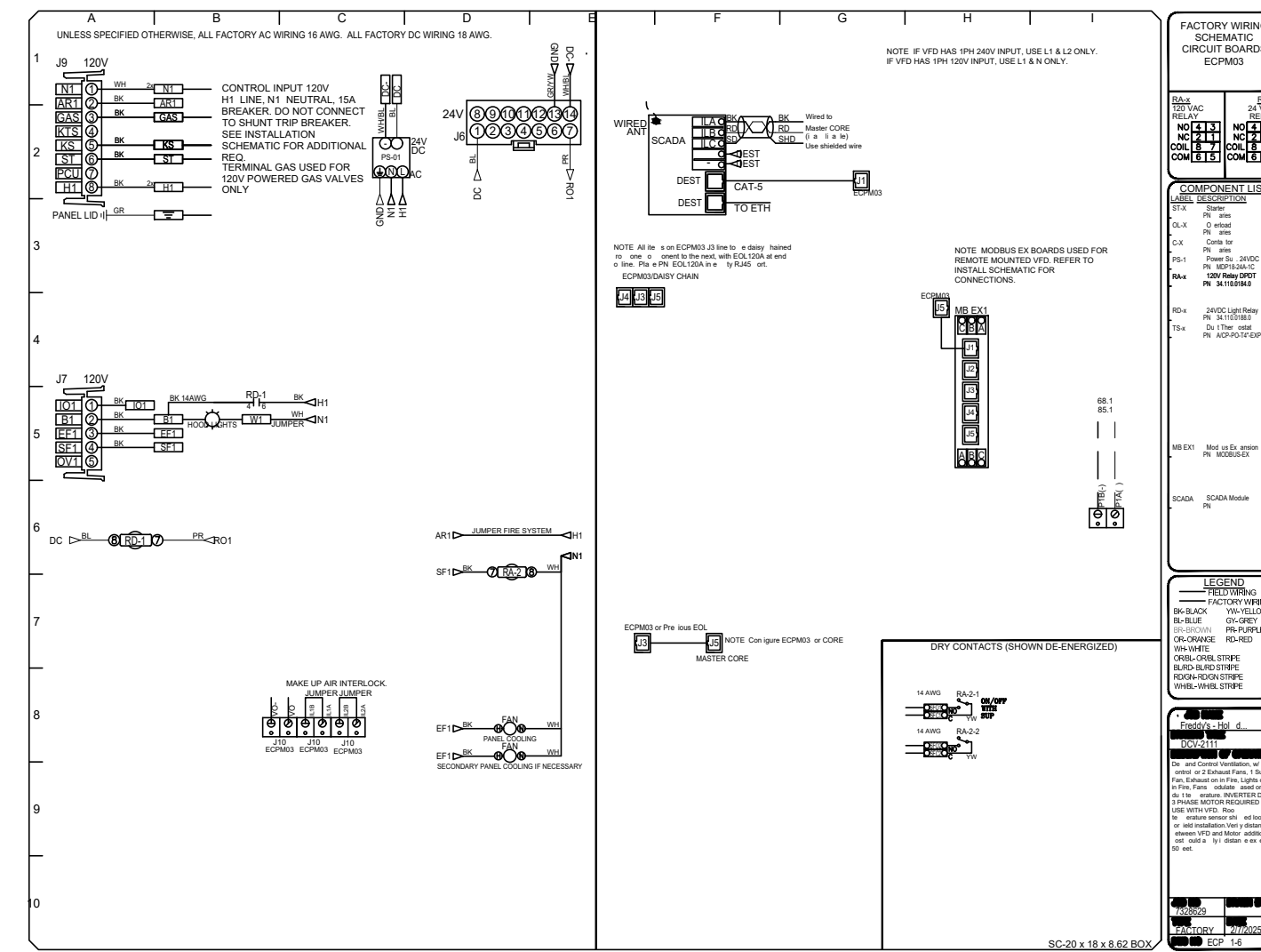
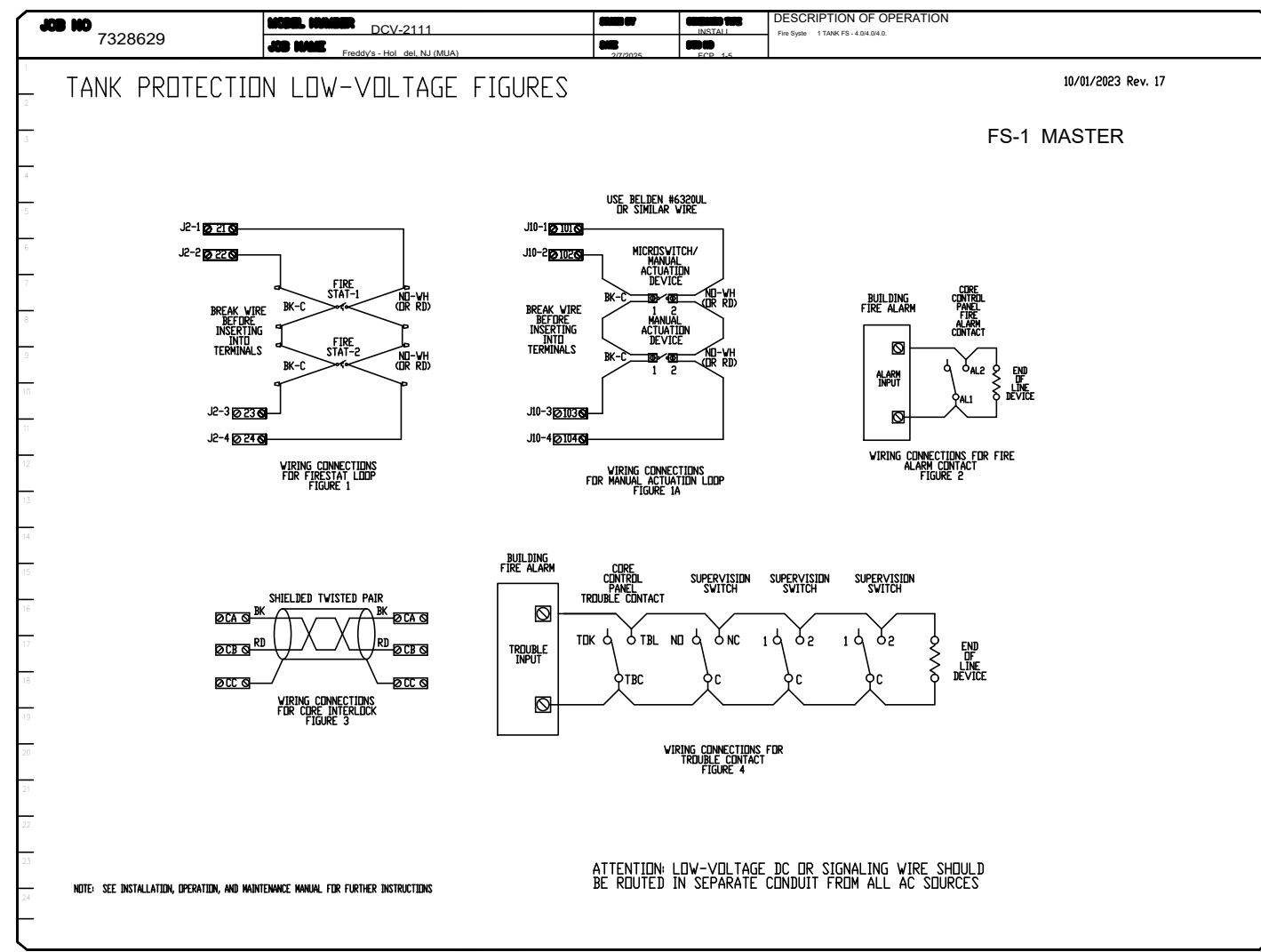
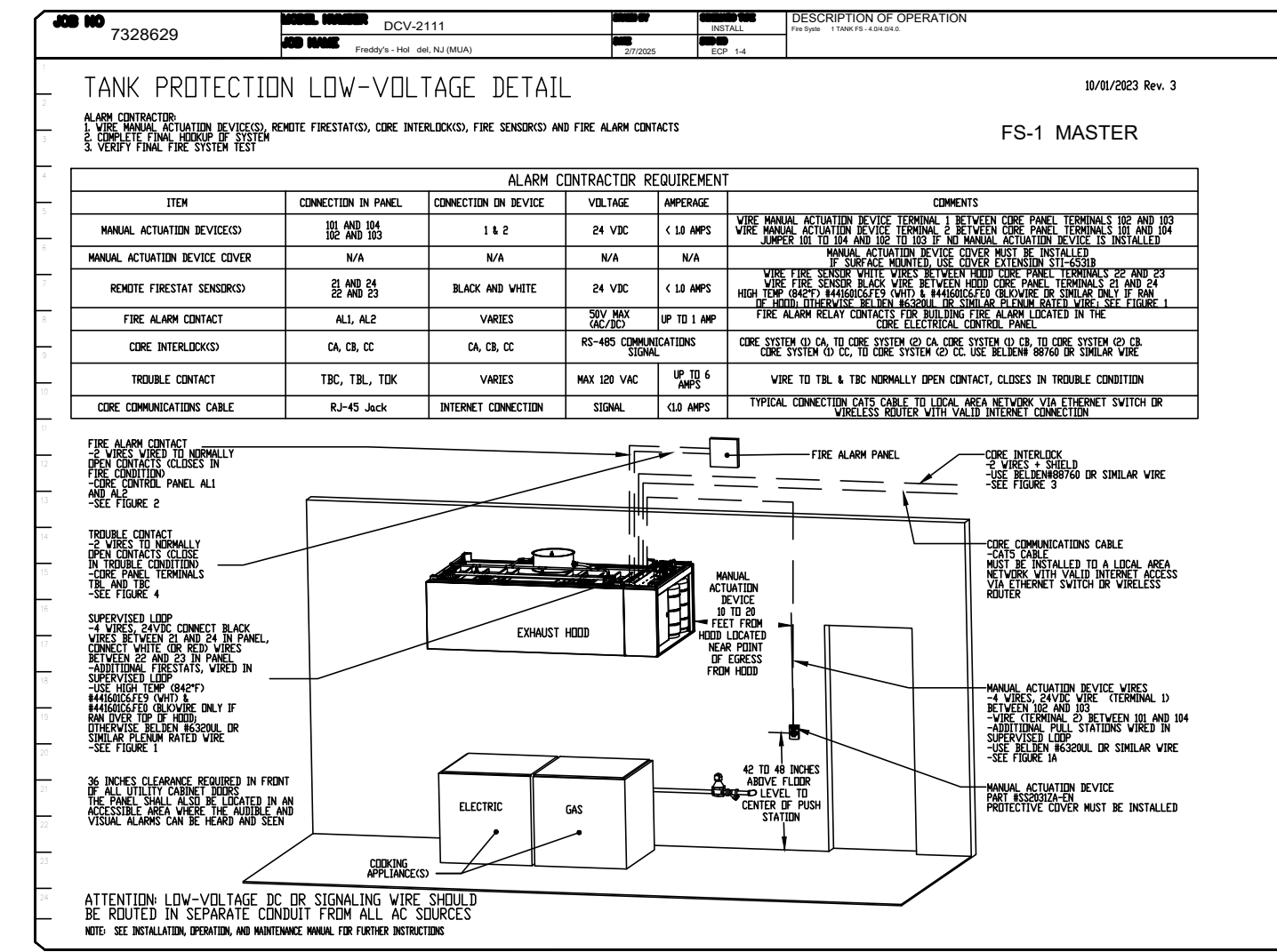
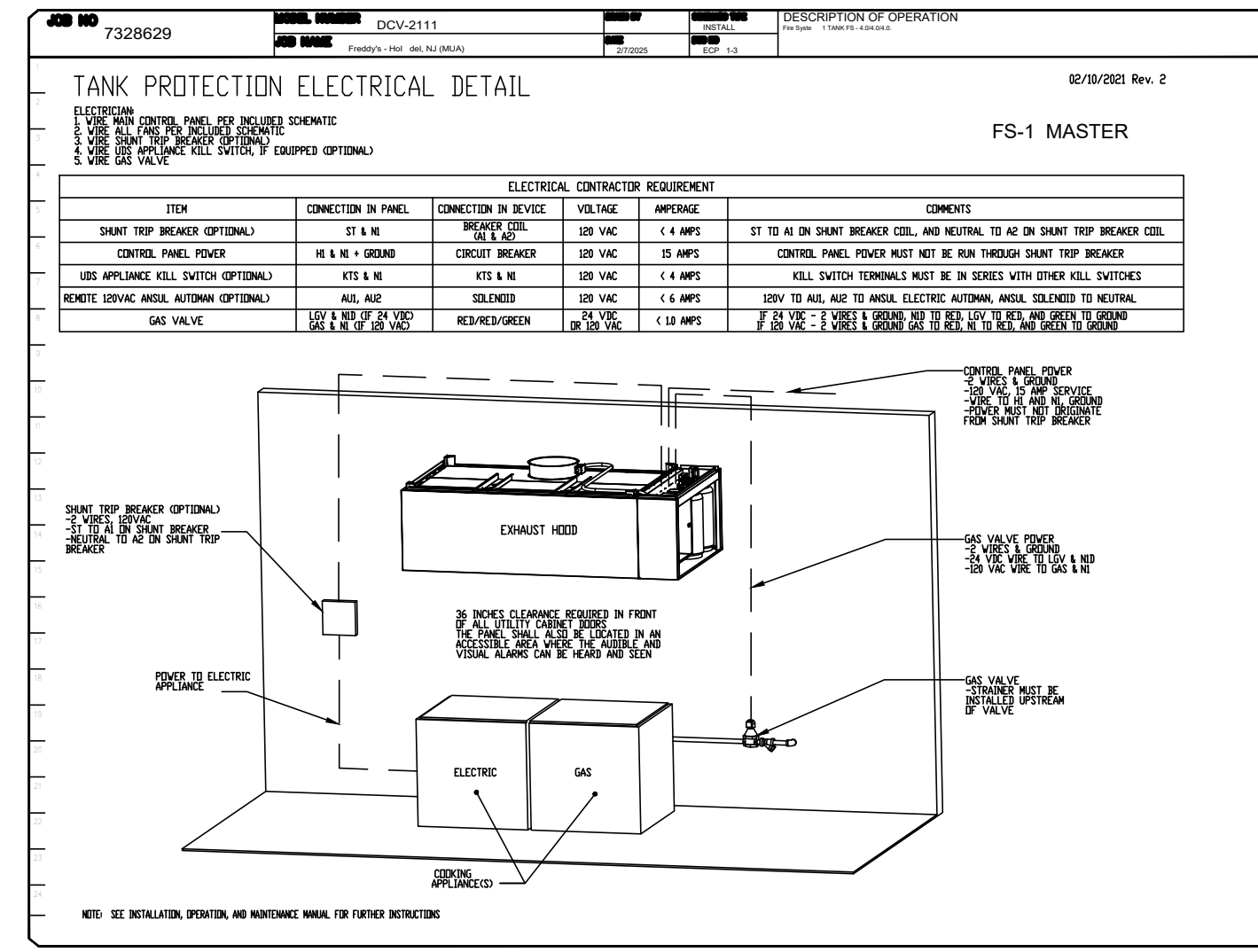
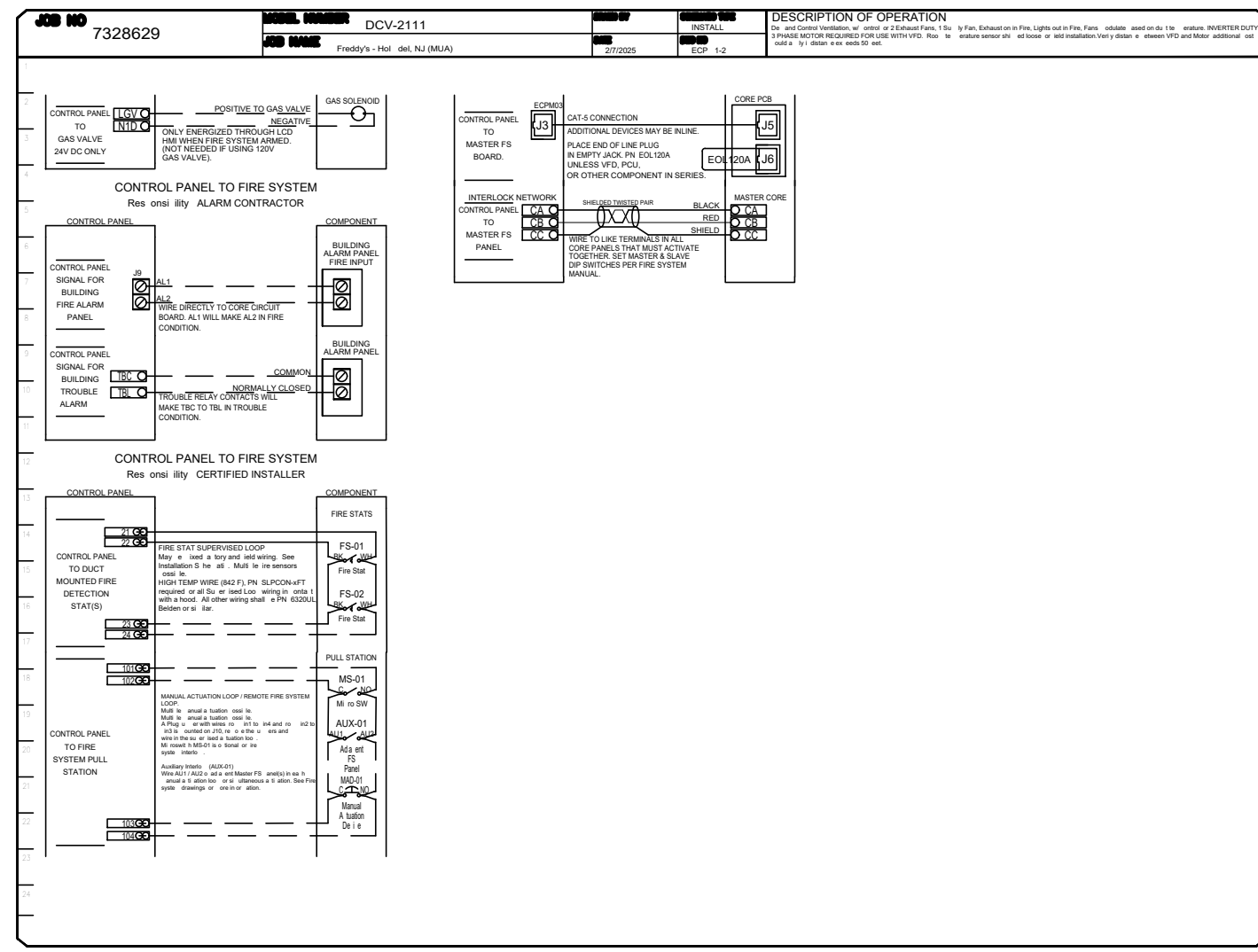
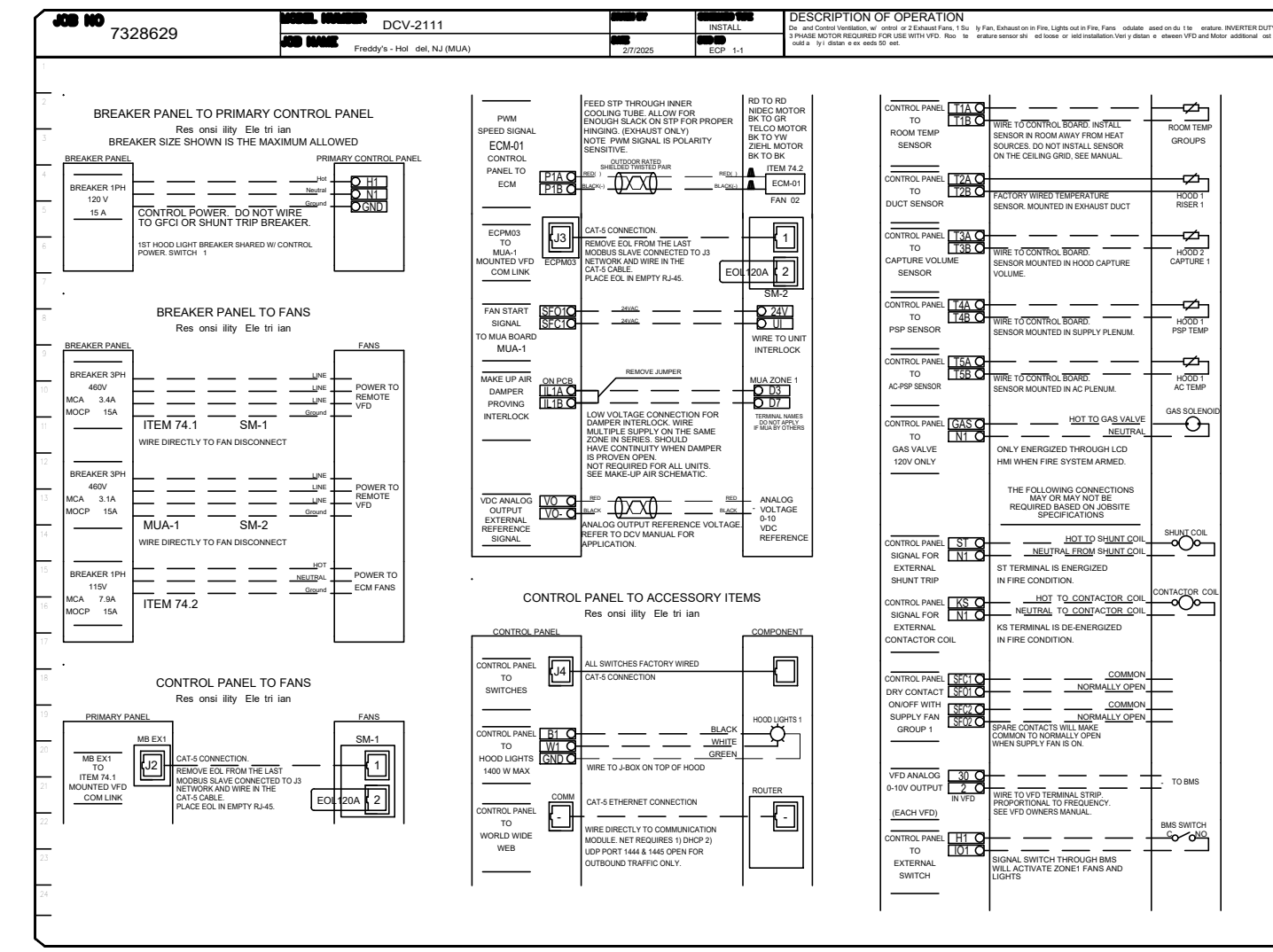






**ELECTRICAL PACKAGE - JOB#7328629**

NO	TAG	PACKAGE	LOCATION	SWITCHES		OPTION	PANEL CONTROLLED					
				LOCATION	QUANTITY		TANK TAG	TYPE	QTY	BOX 1	BOX 2	
1	EQ#1	DCV#111	UTILITY CABINET LEFT	UTILITY CABINET LEFT	1 LIGHT		ITEM #1	CONDUIT	2	2000	400	27
				HOOD	1 FAN		ITEM #2	CONDUIT	3	2000	150	23
							ITEM #3	SUPPLY	3	1500	400	23



**REVISIONS**

NO.	DESCRIPTION	DATE

**CAPTIVE**  
 WWW.AUTOCAD.COM  
**HBT Foodservice**  
 104 W 9th St Suite 204, Kansas City, MO 64106 PHONE (816) 221-8575 FAX (816) 221-15311 EMAIL reg@hbt.com a u e@hbt.com

Freddy's - Hol del, NJ (MUA)  
 HOLMDEL, NJ, 07733

**DATE:** 2/7/2025  
**DWG.#:** 7328629  
**DRAWN BY:** i hael o  
**SCALE:** 1/2" = 1'-0"  
**MASTER DRAWING**

**SHEET NO.**  
 5

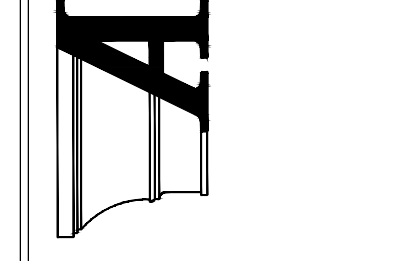


THIS DRAWING IS OWNED BY OR LICENSED FOR USE BY FREDDY'S FROZEN CUSTARD & STEAKBURGERS OR ITS AFFILIATED OR RELATED COMPANIES AND MAY NOT BE REPRODUCED, COPIED, DISSEMINATED, PUBLISHED, OR TRANSMITTED IN ANY FORM OR BY ANY MEANS, ELECTRONIC OR MECHANICAL, INCLUDING PHOTOCOPYING, RECORDING, OR BY ANY INFORMATION STORAGE AND RETRIEVAL SYSTEM, WITHOUT THE PRIOR WRITTEN CONSENT OF ARCHITRAVE GROUP, P.C. COPYRIGHT INFRINGEMENT IS A VIOLATION OF FEDERAL LAW SUBJECT TO CIVIL AND CRIMINAL PENALTIES.

THE CONTRACTOR IS TO VERIFY ALL DIMENSIONS AND CONDITIONS ON THE PROJECT AND TO REPORT ANY DISCREPANCIES TO THE ARCHITRAVE GROUP CLIENTS & STEAKBURGERS REPRESENTATIVE PRIOR TO COMMENCEMENT OF WORK. THESE DRAWINGS ARE NOT TO BE USED FOR CONSTRUCTION PURPOSES UNLESS INDICATED BY FREDDY'S FROZEN CUSTARD & STEAKBURGERS AS ISSUED FOR CONSTRUCTION.

**FREDDY'S FROZEN CUSTARD**  
**COMMONS AT HOLMDEL - BLOCK 50.35, LOT 1**  
**2136 ROUTE 35 SOUTH - UNIT 200**  
**HOLMDEL, NEW JERSEY**

**Architrave GROUP P.C.**  
 2517 Route 35 - Building E - Suite 101  
 Manasquan, New Jersey 08733-2150  
 Phone (732) 212-0059  
 JOSE C. SANTOS, RA - NJ A18745



**MECHANICAL - HOOD SPECIFICATIONS**

**DATE**  
 1/13/2025  
**REV 1** 3/14/2025

**DRAWN BY:** SC  
**CHECKED BY:** JS  
**PROJECT NO.:** 024-78  
**SHEET NO.**  
**M2.6**