

PROJECT INFORMATION

**LIFE TIME DAYTON
SPORT & RACQUET**
4242 CLYO RD
DAYTON, OH 45440

DRAWING LOG

REV	DATE	DESCRIPTION

CONFIDENTIALITY NOTICE
BY ACCEPTING THIS MATERIAL, THE RECIPIENT ACKNOWLEDGES AND AGREES THAT THE INFORMATION CONTAINED HEREIN IS CONFIDENTIAL AND SHALL NOT BE DISCLOSED, DISTRIBUTED, OR OTHERWISE TRANSMITTED IN ANY WAY WITHOUT THE EXPRESS WRITTEN CONSENT OF LIFE TIME, INC. OR ITS SUBSIDIARIES (LT). THIS MATERIAL AND INFORMATION REMAINS THE SOLE PROPERTY OF LT AND LT RESERVES THE RIGHT TO REQUIRE ITS RETURN AT ANY TIME. THE RECIPIENT AGREES TO DEFEND AND INDEMNIFY LT FROM ANY DAMAGES OR LOSSES ARISING OUT OF THE UNAUTHORIZED USE OR DISCLOSURE OF THE INFORMATION.

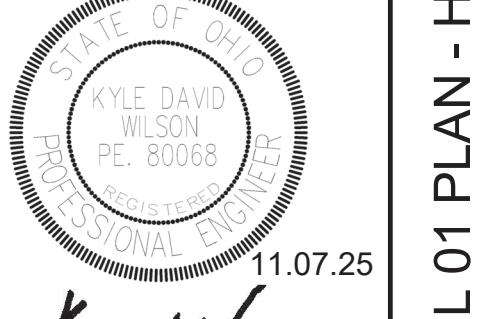
PROFESSIONAL OF RECORD

I HEREBY CERTIFY THAT THIS PLAN, SPECIFICATION, OR REPORT WAS PREPARED BY ME OR UNDER MY DIRECT SUPERVISION AND THAT I AM A DULY REGISTERED ARCHITECT UNDER THE LAWS OF THE STATE OF

NAME: _____ REG. NO. _____

EXP DATE: _____

STAMP



ISSUE DATE: 11/07/2025

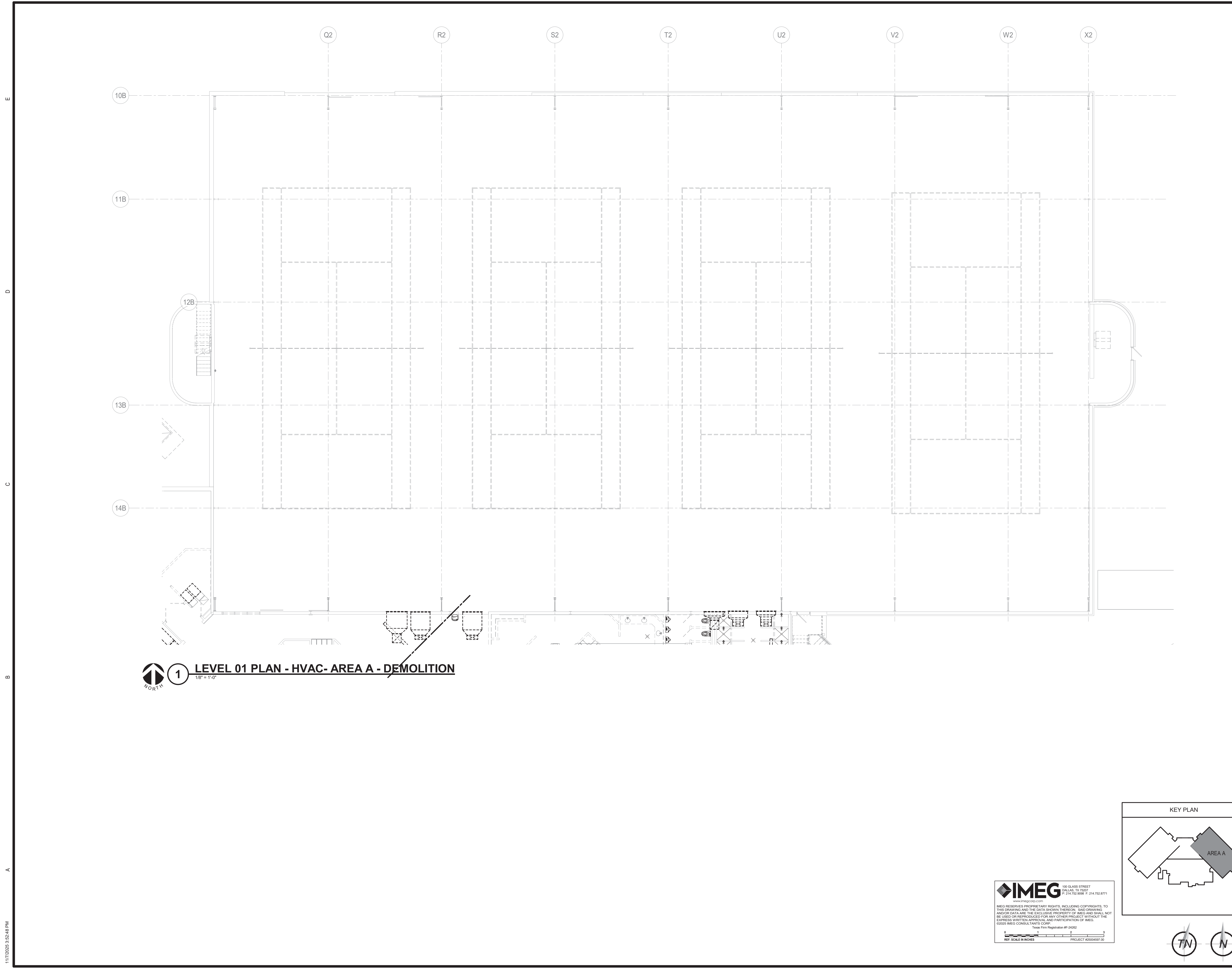
SHEET NO.

M101A

PUBLICATIONS PERMIT SET

PUBLICATIONS PERMIT SET

LEVEL 01 PLAN - HVAC- AREA A - DEMOLITION

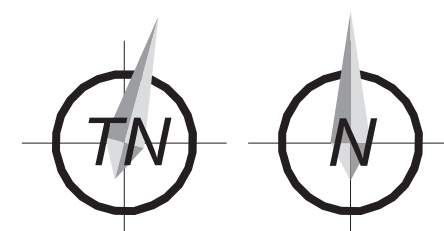
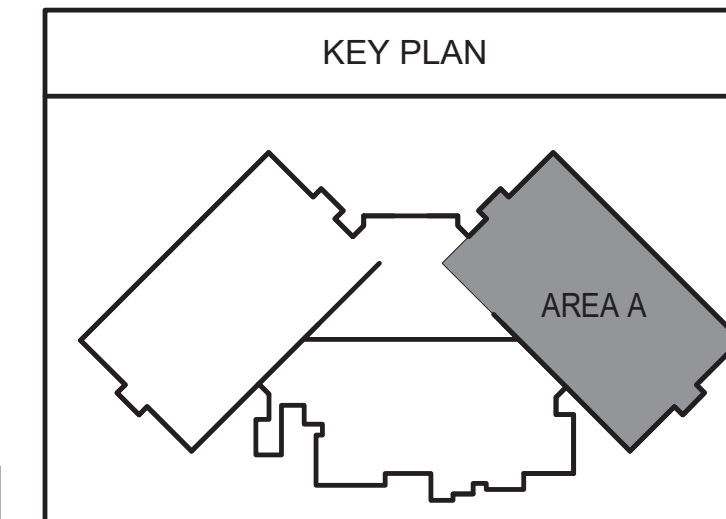


1 LEVEL 01 PLAN - HVAC- AREA A - DEMOLITION
1/8" = 1'-0"

IMEG
100 GLASS STREET
DALLAS, TX 75207
P: 214.752.8068 F: 214.752.8771
www.imegcorp.com

IMEG RESERVES PROPRIETARY RIGHTS, INCLUDING COPYRIGHTS, TO THIS DRAWING AND THE DATA SHOWN THEREON. SAID DRAWING AND/OR DATA ARE THE EXCLUSIVE PROPERTY OF IMEG AND SHALL NOT BE REPRODUCED OR REPRODUCED FOR ANY OTHER PROJECT WITHOUT THE EXPRESS WRITTEN APPROVAL AND PARTICIPATION OF IMEG.
©2025 IMEG CONSULTANTS CORP.

Texas Firm Registration #F-24262
REG. SCALE IN INCHES PROJECT #25004897.00



PROJECT INFORMATION

**LIFE TIME DAYTON
SPORT & RACQUET**
4242 CLYO RD
DAYTON, OH 45440

DRAWING LOG

REV	DATE	DESCRIPTION

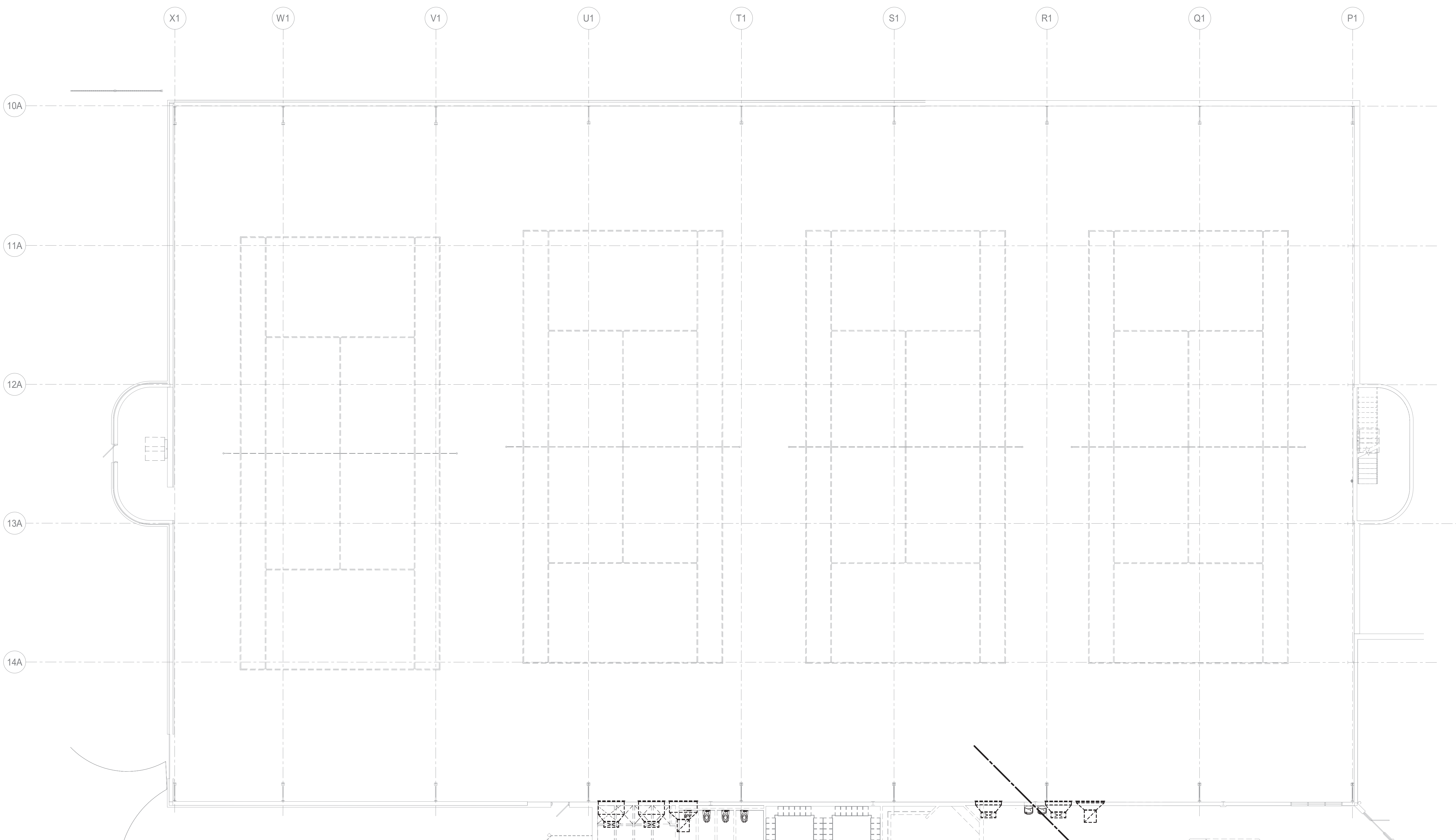
CONFIDENTIALITY NOTICE
BY ACCEPTING THIS MATERIAL, THE RECIPIENT ACKNOWLEDGES AND AGREES THAT THE INFORMATION CONTAINED HEREIN IS CONFIDENTIAL AND SHALL NOT BE DISCLOSED, DISTRIBUTED, OR OTHERWISE TRANSMITTED IN ANY WAY WITHOUT THE EXPRESS WRITTEN CONSENT OF LIFE TIME, INC. OR ITS SUBSIDIARIES (LT). THIS MATERIAL AND INFORMATION REMAINS THE SOLE PROPERTY OF LT AND LT RESERVES THE RIGHT TO REQUIRE ITS RETURN AT ANY TIME. THE RECIPIENT AGREES TO DEFEND AND INDEMNIFY LT FROM ANY DAMAGES OR LOSSES ARISING OUT OF THE UNAUTHORIZED USE OR DISCLOSURE OF THE INFORMATION.

PROFESSIONAL OF RECORD
I HEREBY CERTIFY THAT THIS PLAN, SPECIFICATION, OR REPORT WAS PREPARED BY ME OR UNDER MY DIRECT SUPERVISION AND THAT I AM A DULY REGISTERED ARCHITECT UNDER THE LAWS OF THE STATE OF

NAME: **KYLE DAVID WILSON** REG. NO. **PE 80065**
EXP DATE: **11.07.25**

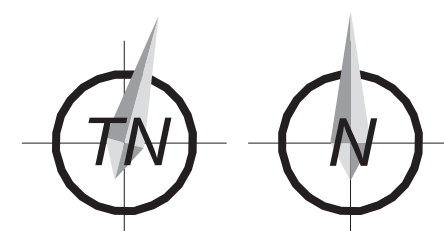
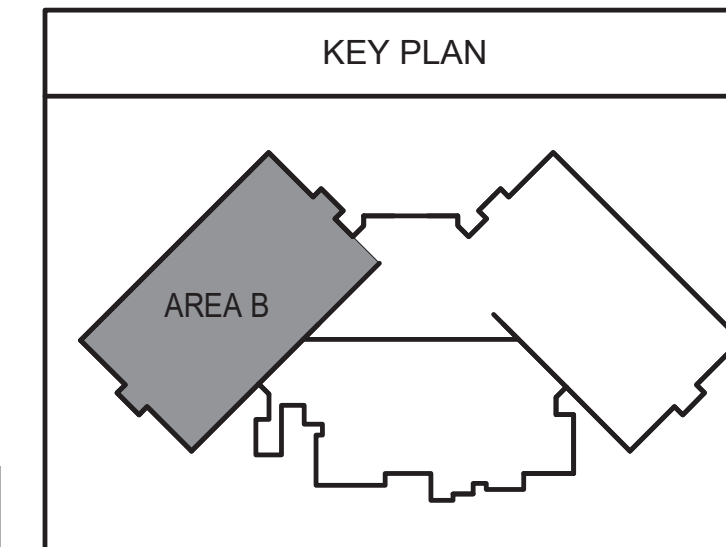
ISSUE DATE: 11/07/2025
SHEET NO. **M101B**
PUBLICATIONS PERMIT SET

LEVEL 01 PLAN - HVAC - AREA B - DEMOLITION



1 LEVEL 01 PLAN - HVAC - AREA B - DEMOLITION
1/8" = 1'-0"

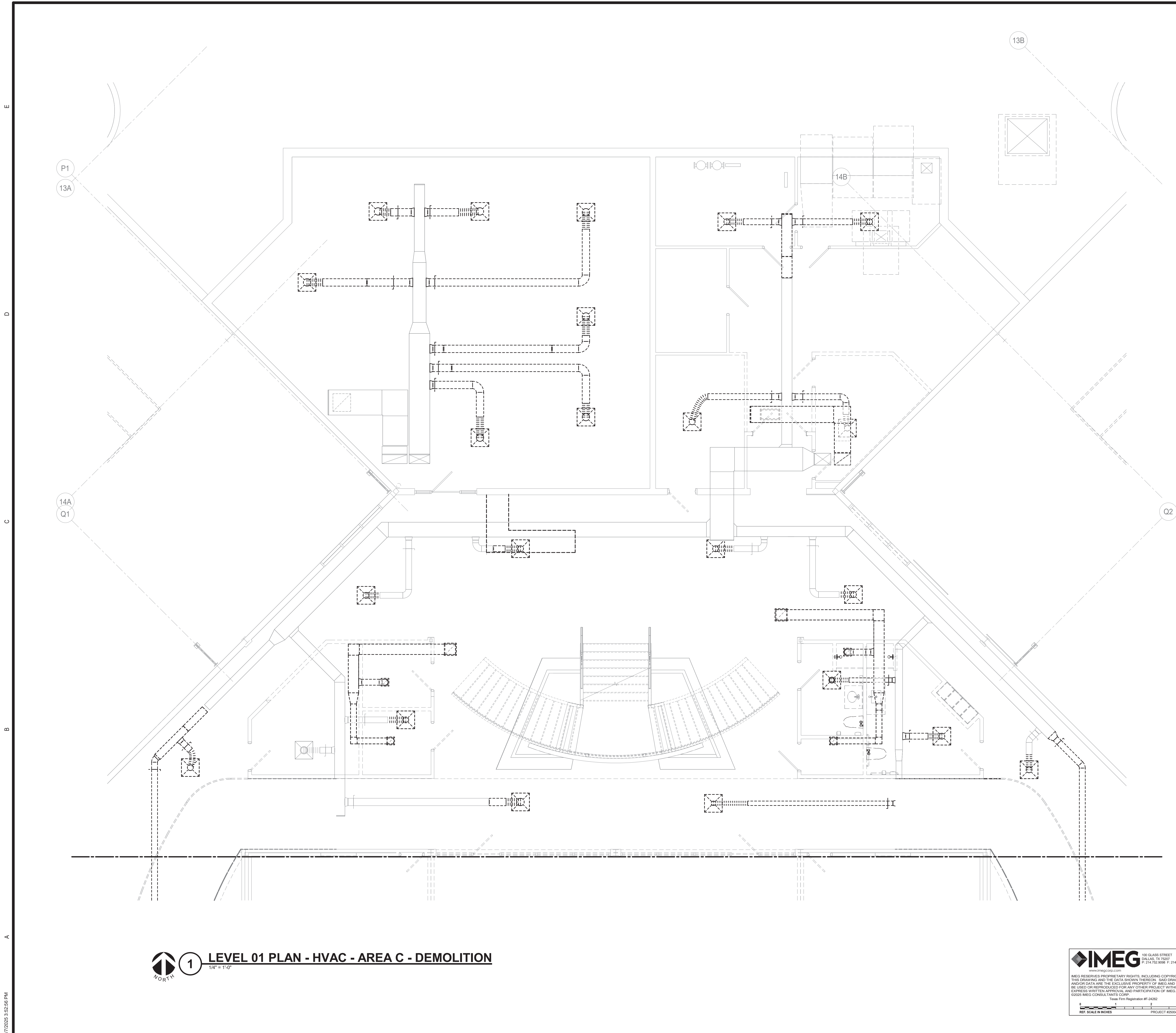
IMEG 100 GLASS STREET DALLAS, TX 75207 P: 214.752.8008 F: 214.752.8771 www.imegcorp.com
IMEG RESERVES PROPRIETARY RIGHTS, INCLUDING COPYRIGHTS, TO THIS DRAWING AND THE DATA SHOWN THEREON. SAID DRAWING AND/OR DATA ARE THE EXCLUSIVE PROPERTY OF IMEG AND SHALL NOT BE REPRODUCED OR REPRODUCED FOR ANY OTHER PROJECT WITHOUT THE EXPRESS WRITTEN APPROVAL AND PARTICIPATION OF IMEG. ©2025 IMEG CONSULTANTS CORP.
Texas Firm Registration #P-24262 PROJECT #25004897.00



E
D
C
B
A

1 2 3 4 5 6

11/7/2025 3:52:52 PM



LIFETIME
HEALTHY WAY OF LIFE
2900 CORPORATE PLACE CHANHASSEN, MN 55317

LIFETIME
PROPERTY DEVELOPMENT

PROJECT INFORMATION

**LIFE TIME DAYTON
SPORT & RACQUET**
4242 CLYO RD
DAYTON, OH 45440

DRAWING LOG

REV	DATE	DESCRIPTION

CONFIDENTIALITY NOTICE
BY ACCEPTING THIS MATERIAL, THE RECIPIENT ACKNOWLEDGES AND AGREES THAT THE INFORMATION CONTAINED HEREIN IS CONFIDENTIAL AND SHALL NOT BE DISCLOSED, DISTRIBUTED OR OTHERWISE TRANSMITTED IN ANY WAY WITHOUT THE EXPRESS WRITTEN CONSENT OF LIFE TIME, INC. OR ITS SUBSIDIARIES (LT). THIS MATERIAL AND INFORMATION REMAINS THE SOLE PROPERTY OF LT AND LT RESERVES THE RIGHT TO REQUIRE ITS RETURN AT ANY TIME. THE RECIPIENT AGREES TO DEFEND AND INDEMNIFY LT FROM ANY DAMAGES OR LOSSES ARISING OUT OF THE UNAUTHORIZED USE OR DISCLOSURE OF THE INFORMATION.

PROFESSIONAL OF RECORD

I HEREBY CERTIFY THAT THIS PLAN, SPECIFICATION, OR REPORT WAS PREPARED BY ME OR UNDER MY DIRECT SUPERVISION AND THAT I AM A DULY REGISTERED ARCHITECT UNDER THE LAWS OF THE STATE OF

NAME: _____ REG. NO.: _____
EXP. DATE: _____



ISSUE DATE: 11/07/2025

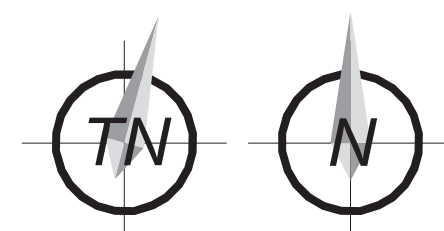
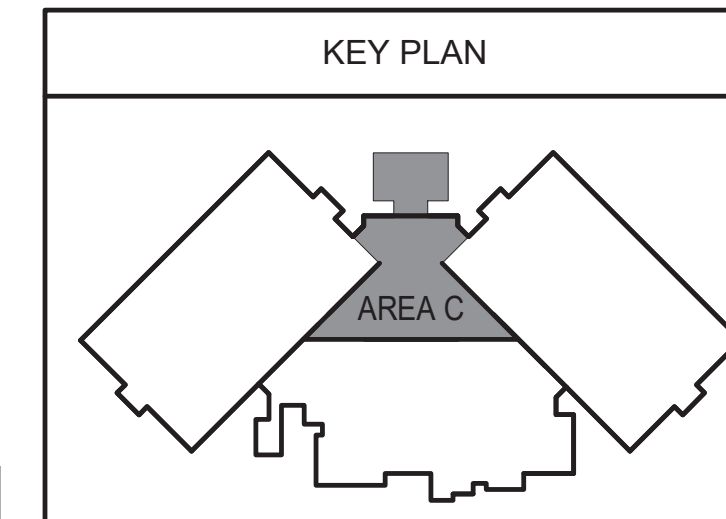
SHEET NO.
M101C

PUBLICATIONS
PERMIT SET

LEVEL 01 PLAN - HVAC - AREA C - DEMOLITION

1 LEVEL 01 PLAN - HVAC - AREA C - DEMOLITION
1/4" = 1'-0"

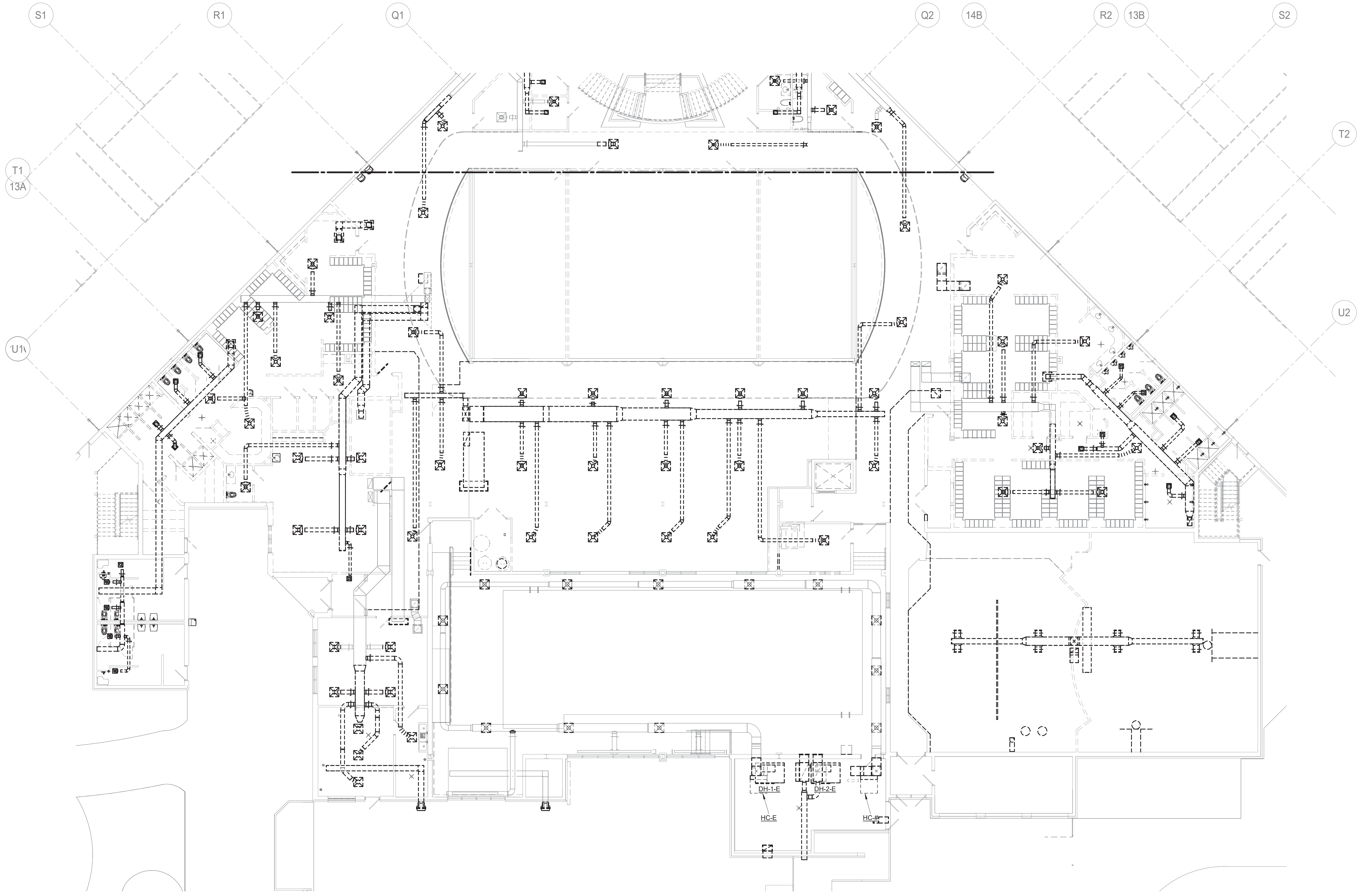
IMEG
100 GLASS STREET
DALLAS, TX 75207
P: 214.752.8008 F: 214.752.8771
www.imegcorp.com
IMEG RESERVES PROPRIETARY RIGHTS, INCLUDING COPYRIGHTS, TO THIS DRAWING AND THE DATA SHOWN THEREON. SAID DRAWING AND/OR DATA ARE THE EXCLUSIVE PROPERTY OF IMEG AND SHALL NOT BE REPRODUCED OR REPRODUCED FOR ANY OTHER PROJECT WITHOUT THE EXPRESS WRITTEN APPROVAL AND PARTICIPATION OF IMEG.
©2025 IMEG CONSULTANTS CORP.
Texas Firm Registration #7-24262
REF. SCALE IN INCHES: 0 1 2 3
PROJECT #25004897.00



11/7/2025 3:52:56 PM

1 2 3 4 5 6

E
D
C
B
A



1 LEVEL 01 PLAN - HVAC - AREA D - DEMOLITION
3/32" = 1'-0"

LIFETIME
HEALTHY WAY OF LIFE
2900 CORPORATE PLACE CHANHASSEN, MN 55317

CONSULTANT
LIFETIME
PROPERTY DEVELOPMENT

PROJECT INFORMATION

**LIFE TIME DAYTON
SPORT & RACQUET**
4242 CLYO RD
DAYTON, OH 45440

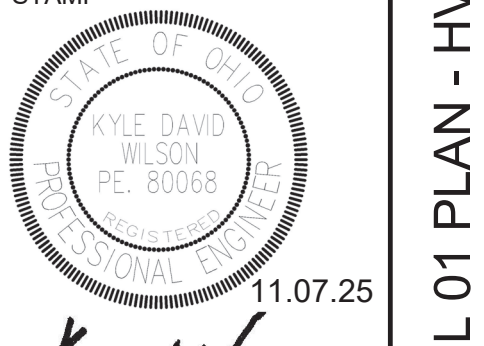
DRAWING LOG

REV	DATE	DESCRIPTION

CONFIDENTIALITY NOTICE
BY ACCEPTING THIS MATERIAL, THE RECIPIENT ACKNOWLEDGES AND AGREES THAT THE INFORMATION CONTAINED HEREIN IS CONFIDENTIAL AND SHALL NOT BE DISCLOSED, DISTRIBUTED, OR OTHERWISE TRANSMITTED IN ANY WAY WITHOUT THE EXPRESS WRITTEN CONSENT OF LIFE TIME, INC. OR ITS SUBSIDIARIES (\"LT\"). THIS MATERIAL AND INFORMATION REMAINS THE SOLE PROPERTY OF LT AND LT RESERVES THE RIGHT TO REQUIRE ITS RETURN AT ANY TIME. THE RECIPIENT AGREES TO DEFEND AND INDEMNIFY LT FROM ANY DAMAGES OR LOSSES ARISING OUT OF THE UNAUTHORIZED USE OR DISCLOSURE OF THE INFORMATION.

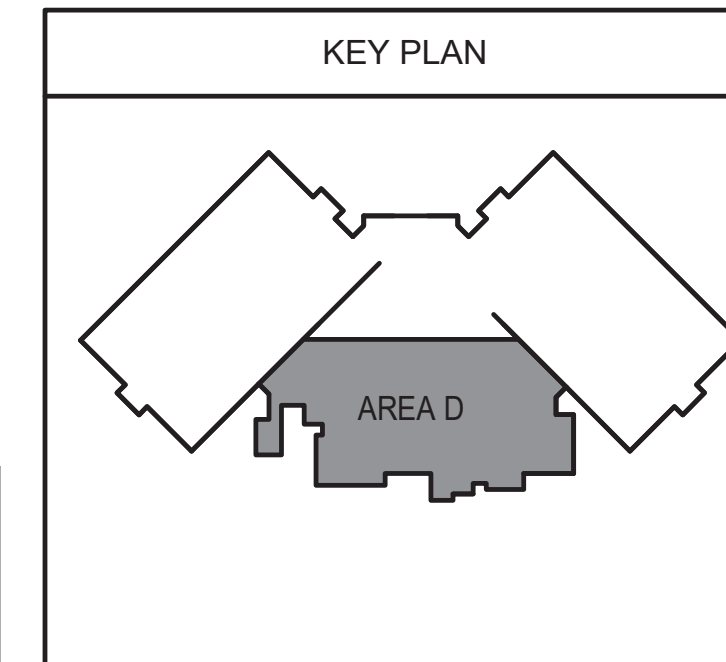
PROFESSIONAL OF RECORD

I HEREBY CERTIFY THAT THIS PLAN, SPECIFICATION, OR REPORT WAS PREPARED BY ME OR UNDER MY DIRECT SUPERVISION AND THAT I AM A DULY REGISTERED ARCHITECT UNDER THE LAWS OF THE STATE OF OHIO.
NAME: _____ REG. NO.: _____
EXP. DATE: _____



ISSUE DATE: 11/07/2025
SHEET NO. **M101D**

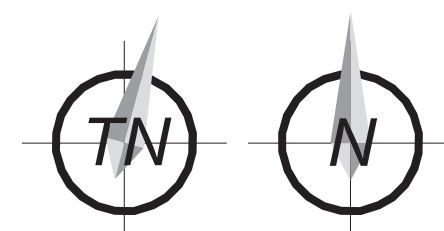
PUBLICATIONS
PERMIT SET



IMEG 100 GLASS STREET
DALLAS, TX 75207
P: 214.752.8008 F: 214.752.8771
www.imegcorp.com

IMEG RESERVES PROPRIETARY RIGHTS, INCLUDING COPYRIGHTS, TO THIS DRAWING AND THE DATA SHOWN THEREON. SAID DRAWING AND/OR DATA ARE THE EXCLUSIVE PROPERTY OF IMEG AND SHALL NOT BE REPRODUCED OR REPRODUCED FOR ANY OTHER PROJECT WITHOUT THE EXPRESS WRITTEN APPROVAL AND PARTICIPATION OF IMEG. ©2025 IMEG CONSULTANTS CORP.

Scale: 3/32" = 1'-0"
Title Block Registration # 24262
REV. SCALE IN INCHES PROJECT # 25004897.00



11/7/2025 3:53:06 PM

1 2 3 4 5 6

PROJECT INFORMATION

**LIFE TIME DAYTON
SPORT & RACQUET**
4242 CLYO RD
DAYTON, OH 45440

DRAWING LOG

REV	DATE	DESCRIPTION

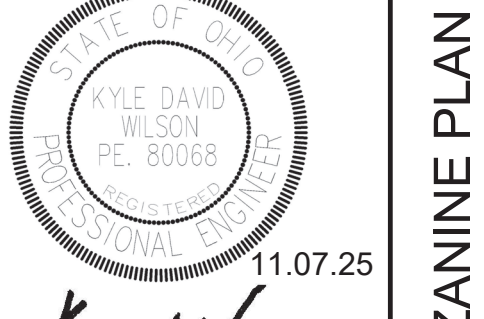
CONFIDENTIALITY NOTICE
BY ACCEPTING THIS MATERIAL, THE RECIPIENT ACKNOWLEDGES AND AGREES THAT THE INFORMATION CONTAINED HEREIN IS CONFIDENTIAL AND SHALL NOT BE DISCLOSED, DISTRIBUTED, OR OTHERWISE TRANSMITTED IN ANY WAY WITHOUT THE EXPRESS WRITTEN CONSENT OF LIFE TIME, INC. OR ITS SUBSIDIARIES (LT). THIS MATERIAL AND INFORMATION REMAINS THE SOLE PROPERTY OF LT AND LT RESERVES THE RIGHT TO REQUIRE ITS RETURN AT ANY TIME. THE RECIPIENT AGREES TO DEFEND AND INDEMNIFY LT FROM ANY DAMAGES OR LOSSES ARISING OUT OF THE UNAUTHORIZED USE OR DISCLOSURE OF THE INFORMATION.

PROFESSIONAL OF RECORD

I HEREBY CERTIFY THAT THIS PLAN, SPECIFICATION, OR REPORT WAS PREPARED BY ME OR UNDER MY DIRECT SUPERVISION AND THAT I AM A DULY REGISTERED ARCHITECT UNDER THE LAWS OF THE STATE OF

NAME: _____ REG. NO. _____
EXP DATE: _____

STAMP



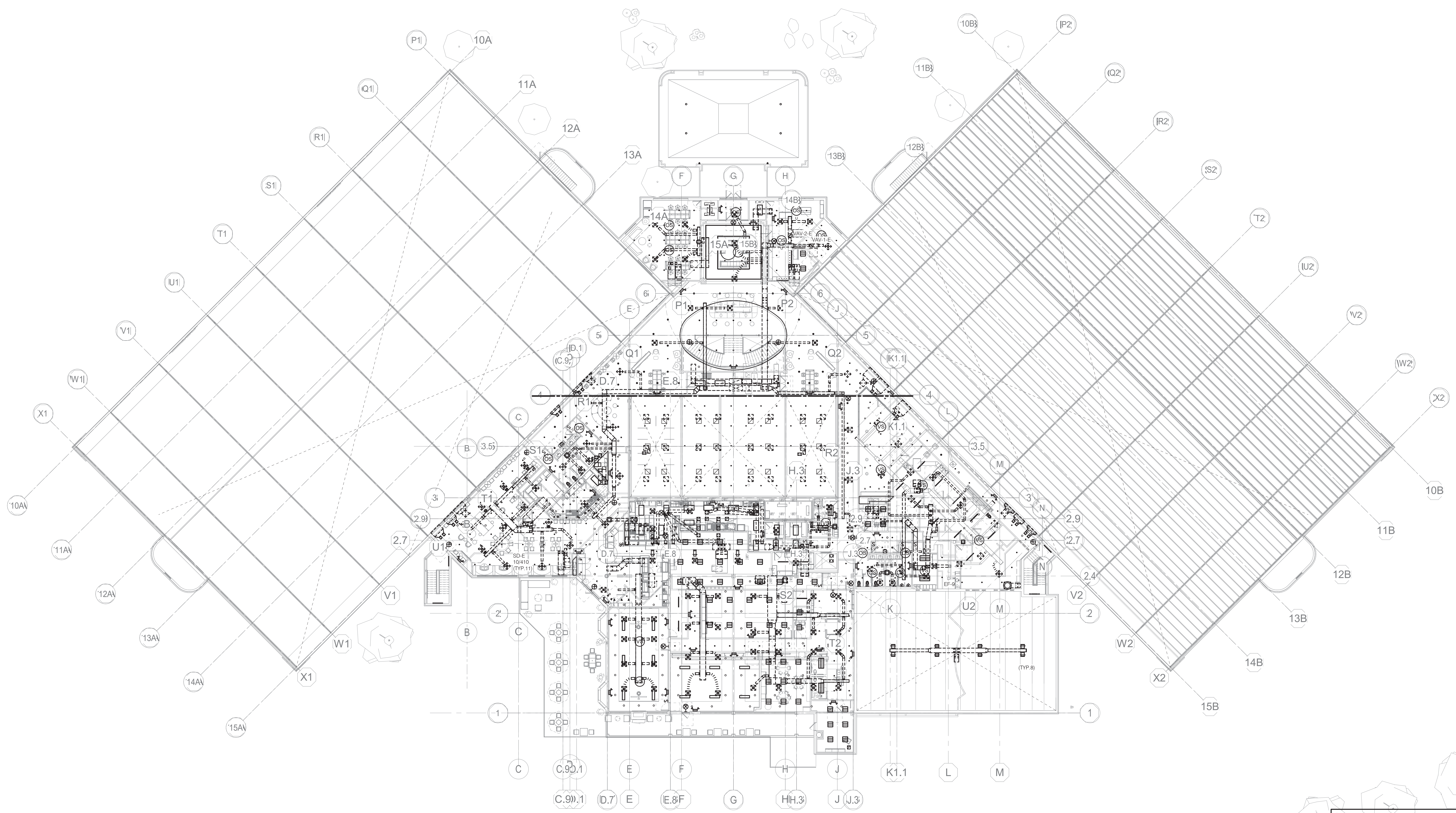
ISSUE DATE: 11/07/2025

SHEET NO.

M102

PUBLICATIONS PERMIT SET

MEZZANINE PLAN - HVAC - DEMOLITION

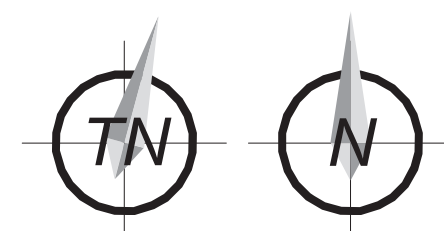
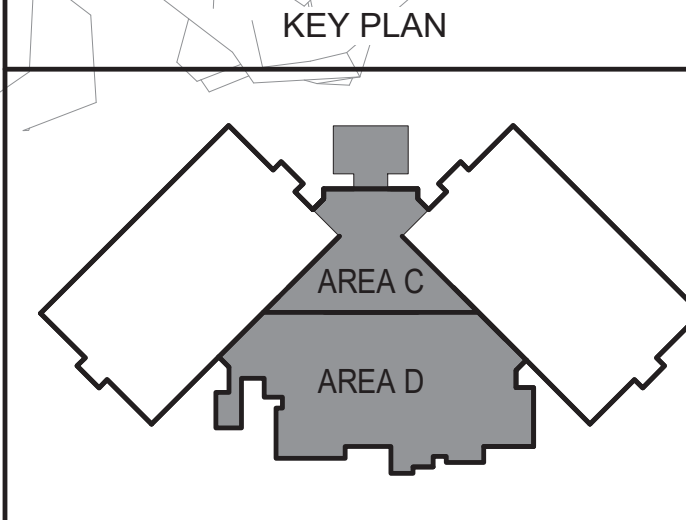


MEZZANINE PLAN - HVAC - DEMOLITION
1/16" = 1'-0"

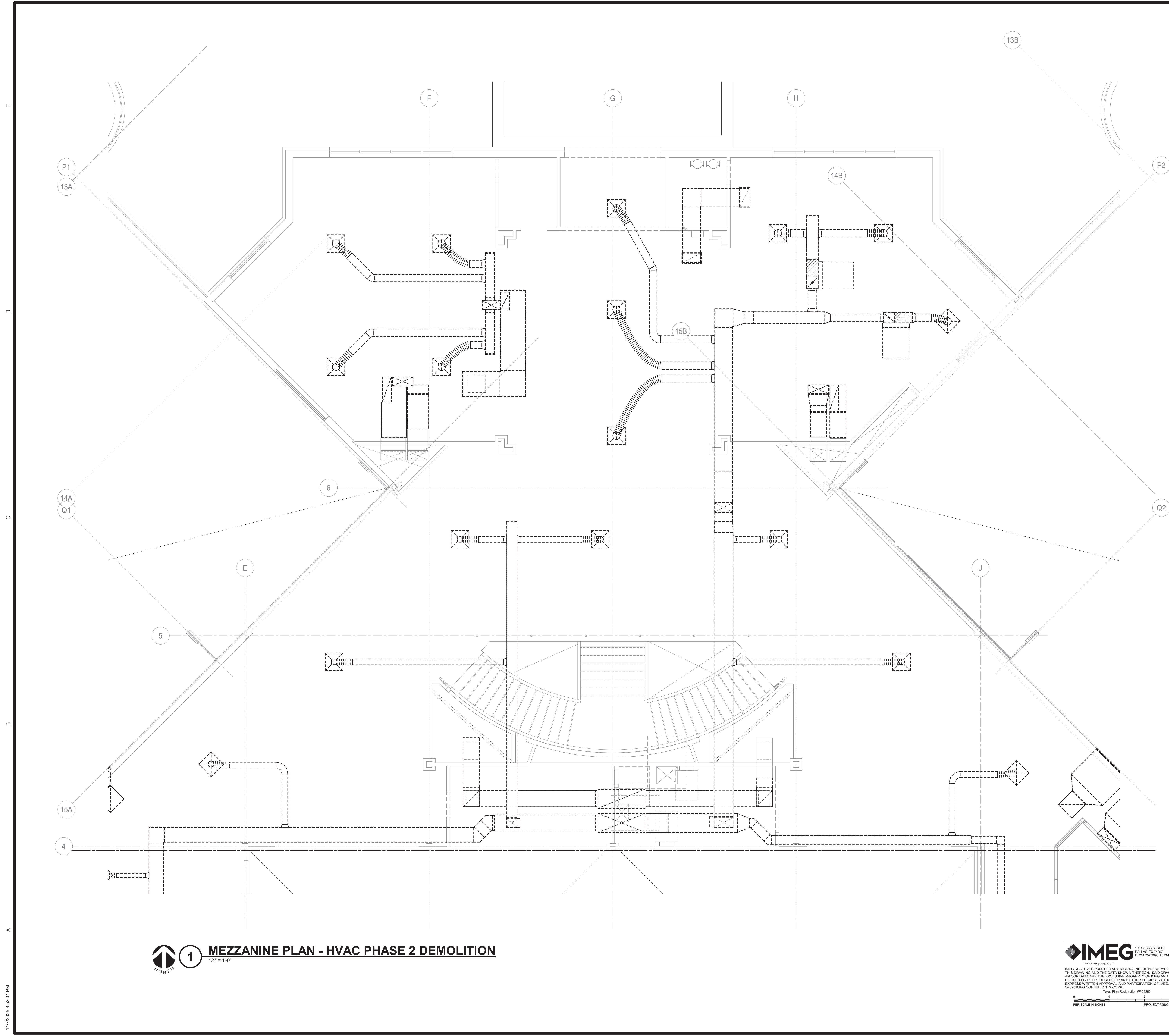
IMEG
100 GLASS STREET
DALLAS, TX 75207
P: 214.752.8008 F: 214.752.8771
www.imegcorp.com

IMEG RESERVES PROPRIETARY RIGHTS, INCLUDING COPYRIGHTS, TO THIS DRAWING AND THE DATA SHOWN THEREON. SAID DRAWING AND/OR DATA ARE THE EXCLUSIVE PROPERTY OF IMEG AND SHALL NOT BE REPRODUCED OR REPRODUCED FOR ANY OTHER PROJECT WITHOUT THE EXPRESS WRITTEN APPROVAL AND PARTICIPATION OF IMEG. ©2025 IMEG CORP. ALL RIGHTS RESERVED.

Scale: 1/16" = 1'-0"
PROJECT #25004897.00



11/7/2025 3:53:30 PM



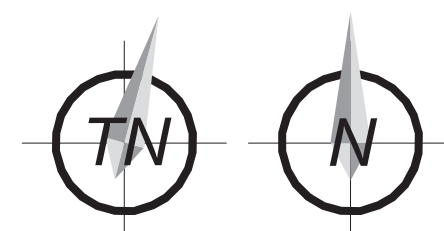
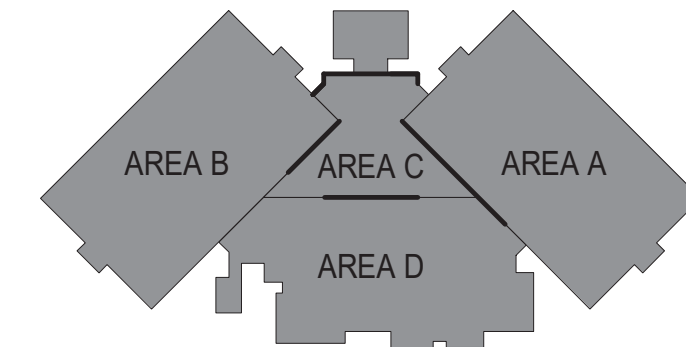
1 MEZZANINE PLAN - HVAC PHASE 2 DEMOLITION
 1/4" = 1'-0"

IMEG 100 GLASS STREET
 DALLAS, TX 75207
 P: 214.752.8008 F: 214.752.8771
 www.imegcorp.com

IMEG RESERVES PROPRIETARY RIGHTS, INCLUDING COPYRIGHTS, TO THIS DRAWING AND THE DATA SHOWN THEREON. SAID DRAWING AND/OR DATA ARE THE EXCLUSIVE PROPERTY OF IMEG AND SHALL NOT BE REPRODUCED OR REPRODUCED FOR ANY OTHER PROJECT WITHOUT THE EXPRESS WRITTEN APPROVAL AND PARTICIPATION OF IMEG. ©2022 IMEG CONSULTANTS CORP.

Texas Firm Registration #7-24252
 REG. NO. 000004997.00

IMP. SCALE IN INCHES PROJECT #25004997.00



LIFETIME
 HEALTHY WAY OF LIFE
 2900 CORPORATE PLACE CHANHASSEN, MN 55317

LIFETIME
 PROPERTY DEVELOPMENT

PROJECT INFORMATION

**LIFE TIME DAYTON
 SPORT & RACQUET**
 4242 CLYO RD
 DAYTON, OH 45440

DRAWING LOG

REV	DATE	DESCRIPTION

CONFIDENTIALITY NOTICE

BY ACCEPTING THIS MATERIAL, THE RECIPIENT ACKNOWLEDGES AND AGREES THAT THE INFORMATION CONTAINED HEREIN IS CONFIDENTIAL AND SHALL NOT BE DISCLOSED, DISTRIBUTED, OR OTHERWISE TRANSMITTED IN ANY WAY WITHOUT THE EXPRESS WRITTEN CONSENT OF LIFE TIME, INC. OR ITS SUBSIDIARIES (LT). THIS MATERIAL AND INFORMATION REMAINS THE SOLE PROPERTY OF LT AND LT RESERVES THE RIGHT TO REQUIRE ITS RETURN AT ANY TIME. THE RECIPIENT AGREES TO DEFEND AND INDEMNIFY LT FROM ANY DAMAGES OR LOSSES ARISING OUT OF THE UNAUTHORIZED USE OR DISCLOSURE OF THE INFORMATION.

PROFESSIONAL OF RECORD

I HEREBY CERTIFY THAT THIS PLAN, SPECIFICATION, OR REPORT WAS PREPARED BY ME OR UNDER MY DIRECT SUPERVISION AND THAT I AM A DULY REGISTERED ARCHITECT UNDER THE LAWS OF THE STATE OF

NAME: **Kyle David Wilson** REG. NO. **PE 80068**

EXP DATE: **11.07.25**

STAMP



ISSUE DATE: 11/07/2025

SHEET NO. **M102C**

PUBLICATIONS PERMIT SET

MEZZANINE PLAN - HVAC - AREA C - DEMOLITION

11/7/2025 3:53:34 PM

PROJECT INFORMATION

**LIFE TIME DAYTON
SPORT & RACQUET**
4242 CLYO RD
DAYTON, OH 45440

DRAWING LOG

REV	DATE	DESCRIPTION

CONFIDENTIALITY NOTICE

BY ACCEPTING THIS MATERIAL, THE RECIPIENT ACKNOWLEDGES AND AGREES THAT THE INFORMATION CONTAINED HEREIN IS CONFIDENTIAL AND SHALL NOT BE DISCLOSED, DISTRIBUTED, OR OTHERWISE TRANSMITTED IN ANY WAY WITHOUT THE EXPRESS WRITTEN CONSENT OF LIFE TIME, INC. OR ITS SUBSIDIARIES (LT). THIS MATERIAL AND INFORMATION REMAINS THE SOLE PROPERTY OF LT AND LT RESERVES THE RIGHT TO REQUIRE ITS RETURN AT ANY TIME. THE RECIPIENT AGREES TO DEFEND AND INDEMNIFY LT FROM ANY DAMAGES OR LOSSES ARISING OUT OF THE UNAUTHORIZED USE OR DISCLOSURE OF THE INFORMATION.

PROFESSIONAL OF RECORD

I HEREBY CERTIFY THAT THIS PLAN, SPECIFICATION, OR REPORT WAS PREPARED BY ME OR UNDER MY DIRECT SUPERVISION AND THAT I AM A DULY REGISTERED ARCHITECT UNDER THE LAWS OF THE STATE OF

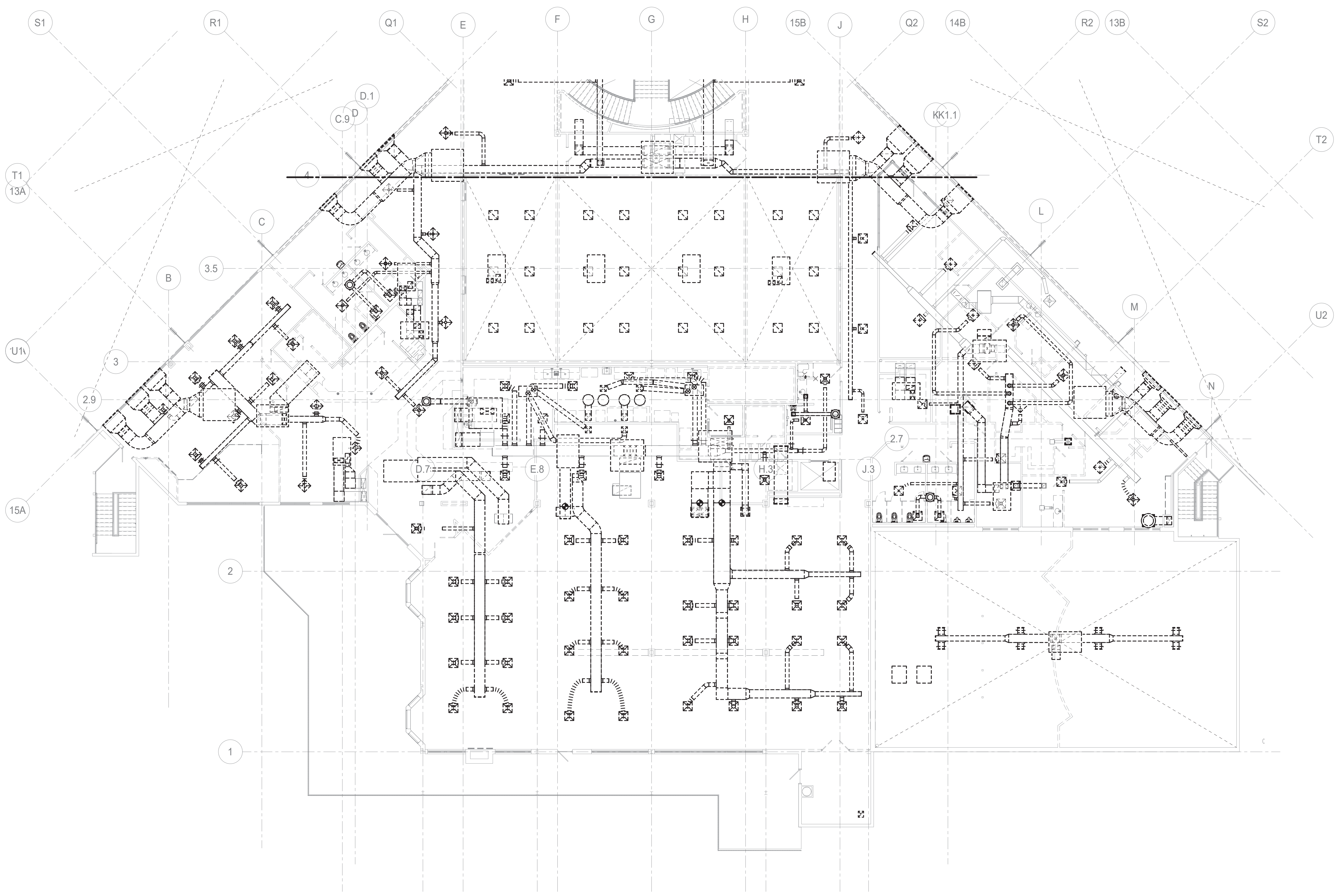
NAME: **KYLE DAVID WILSON** REG. NO. **PE 80068**
EXP DATE: **11.07.25**

ISSUE DATE: 11/07/2025

SHEET NO. **M102D**

PUBLICATIONS PERMIT SET

MEZZANINE PLAN - HVAC - AREA D - DEMOLITION

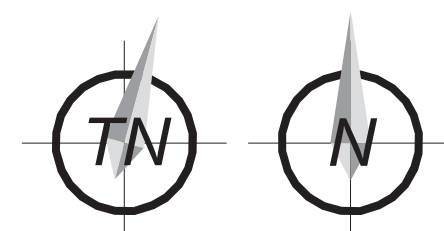
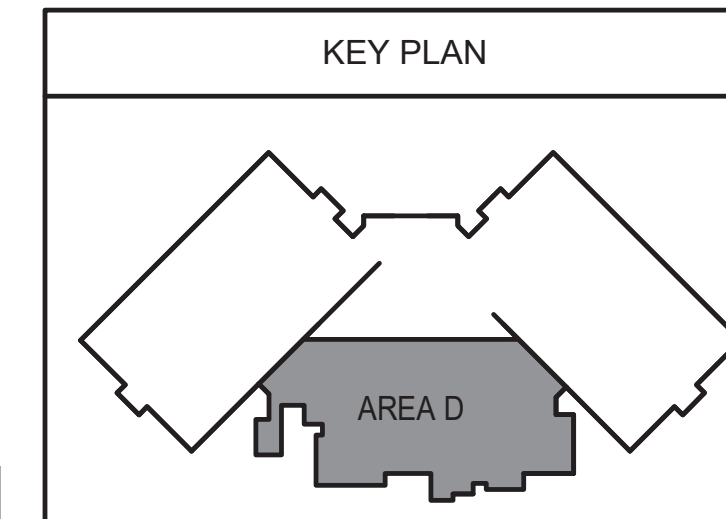


1 MEZZANINE PLAN - HVAC - AREA D - DEMOLITION
3/32" = 1'-0"

IMEG 100 GLASS STREET DALLAS, TX 75207 P: 214.752.8008 F: 214.752.8771 www.imegcorp.com

IMEG RESERVES PROPRIETARY RIGHTS, INCLUDING COPYRIGHTS, TO THIS DRAWING AND THE DATA SHOWN THEREON. SAID DRAWING AND/OR DATA ARE THE EXCLUSIVE PROPERTY OF IMEG AND SHALL NOT BE REPRODUCED OR REPRODUCED FOR ANY OTHER PROJECT WITHOUT THE EXPRESS WRITTEN APPROVAL AND PARTICIPATION OF IMEG. ©2025 IMEG CONSULTANTS CORP.

Scale: 3/32" = 1'-0"



11/7/2025 3:53:41 PM

PROJECT INFORMATION

**LIFE TIME DAYTON
SPORT & RACQUET**
4242 CLOY RD
DAYTON, OH 45440

DRAWING LOG

REV	DATE	DESCRIPTION

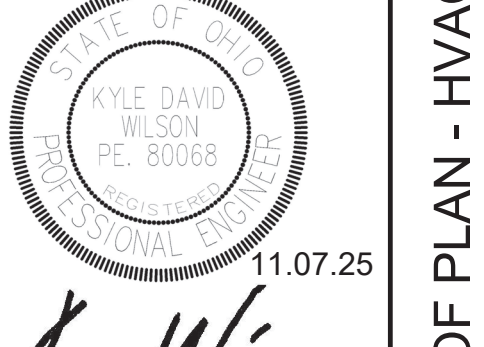
CONFIDENTIALITY NOTICE
BY ACCEPTING THIS MATERIAL, THE RECIPIENT ACKNOWLEDGES AND AGREES THAT THE INFORMATION CONTAINED HEREIN IS CONFIDENTIAL AND SHALL NOT BE DISCLOSED, DISTRIBUTED, OR OTHERWISE TRANSMITTED IN ANY WAY WITHOUT THE EXPRESS WRITTEN CONSENT OF LIFE TIME, INC. OR ITS SUBSIDIARIES (LT). THIS MATERIAL AND INFORMATION REMAINS THE SOLE PROPERTY OF LT AND LT RESERVES THE RIGHT TO REQUIRE ITS RETURN AT ANY TIME. THE RECIPIENT AGREES TO DEFEND AND INDEMNIFY LT FROM ANY DAMAGES OR LOSSES ARISING OUT OF THE UNAUTHORIZED USE OR DISCLOSURE OF THE INFORMATION.

PROFESSIONAL OF RECORD

I HEREBY CERTIFY THAT THIS PLAN, SPECIFICATION, OR REPORT WAS PREPARED BY ME OR UNDER MY DIRECT SUPERVISION AND THAT I AM A DULY REGISTERED ARCHITECT UNDER THE LAWS OF THE STATE OF

NAME: _____ REG. NO. _____
EXP. DATE: _____

STAMP



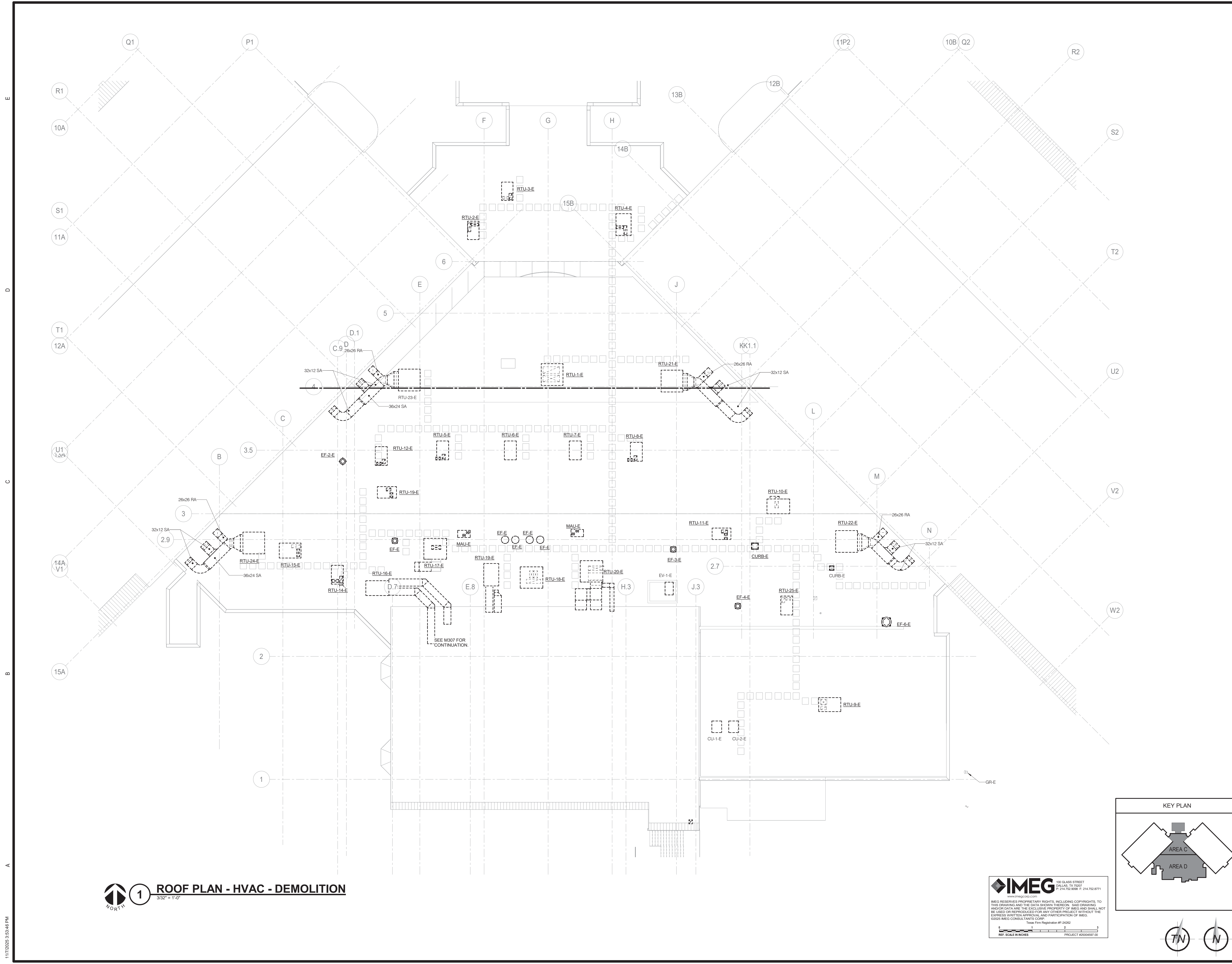
ISSUE DATE: 11/07/2025

SHEET NO.

M103

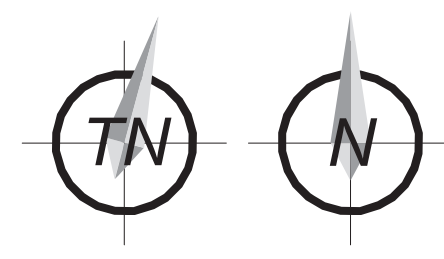
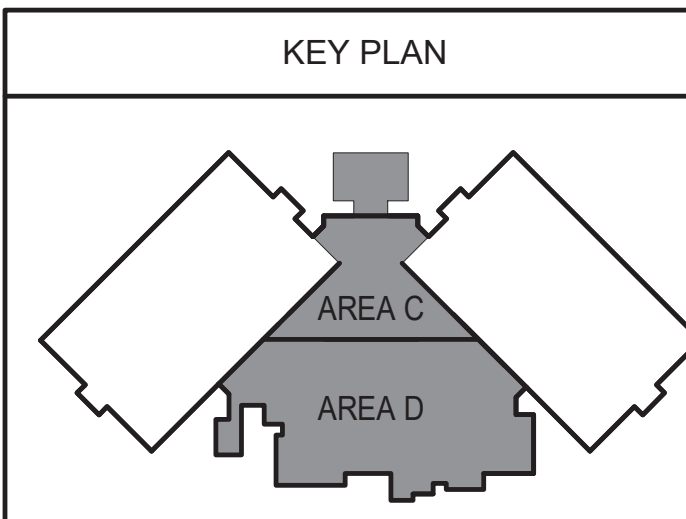
PUBLICATIONS PERMIT SET

ROOF PLAN - HVAC - DEMOLITION



1 ROOF PLAN - HVAC - DEMOLITION
3/32" = 1'-0"

IMEG
100 GLASS STREET
DALLAS, TX 75207
P: 214.752.8008 F: 214.752.8771
www.imegcorp.com
IMEG RESERVES PROPRIETARY RIGHTS, INCLUDING COPYRIGHTS, TO THIS DRAWING AND THE DATA SHOWN THEREON. SAID DRAWING AND/OR DATA ARE THE EXCLUSIVE PROPERTY OF IMEG AND SHALL NOT BE REPRODUCED OR TRANSMITTED IN ANY FORM OR BY ANY MEANS, ELECTRONIC OR MECHANICAL, INCLUDING PHOTOCOPYING, RECORDING, OR BY ANY INFORMATION STORAGE AND RETRIEVAL SYSTEM, WITHOUT THE EXPRESS WRITTEN APPROVAL AND PARTICIPATION OF IMEG.
©2025 IMEG CONSULTANTS CORP.
Texas Firm Registration #7-24262
IMP. SCALE IN INCHES PROJECT #25004897.00



11/7/2025 3:53:46 PM

PROJECT INFORMATION

**LIFE TIME DAYTON
SPORT & RACQUET**
4242 CLYO RD
DAYTON, OH 45440

DRAWING LOG

REV	DATE	DESCRIPTION

CONFIDENTIALITY NOTICE
BY ACCEPTING THIS MATERIAL, THE RECIPIENT ACKNOWLEDGES AND AGREES THAT THE INFORMATION CONTAINED HEREIN IS CONFIDENTIAL AND SHALL NOT BE DISCLOSED, DISTRIBUTED, OR OTHERWISE TRANSMITTED IN ANY WAY WITHOUT THE EXPRESS WRITTEN CONSENT OF LIFE TIME, INC. OR ITS SUBSIDIARIES (LTI). THIS MATERIAL AND INFORMATION REMAINS THE SOLE PROPERTY OF LTI AND LTI RESERVES THE RIGHT TO REQUIRE ITS RETURN AT ANY TIME. THE RECIPIENT AGREES TO DEFEND AND INDEMNIFY LTI FROM ANY DAMAGES OR LOSSES ARISING OUT OF THE UNAUTHORIZED USE OR DISCLOSURE OF THE INFORMATION.

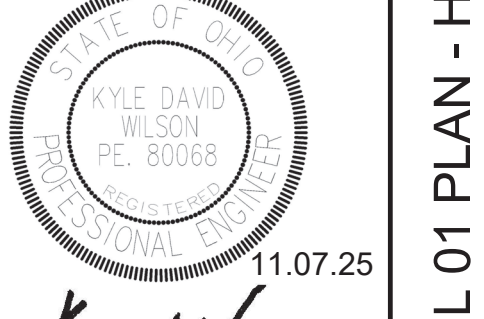
PROFESSIONAL OF RECORD

I HEREBY CERTIFY THAT THIS PLAN, SPECIFICATION, OR REPORT WAS PREPARED BY ME OR UNDER MY DIRECT SUPERVISION AND THAT I AM A DULY REGISTERED ARCHITECT UNDER THE LAWS OF THE STATE OF

NAME: _____ REG. NO. _____

EXP. DATE: _____

STAMP



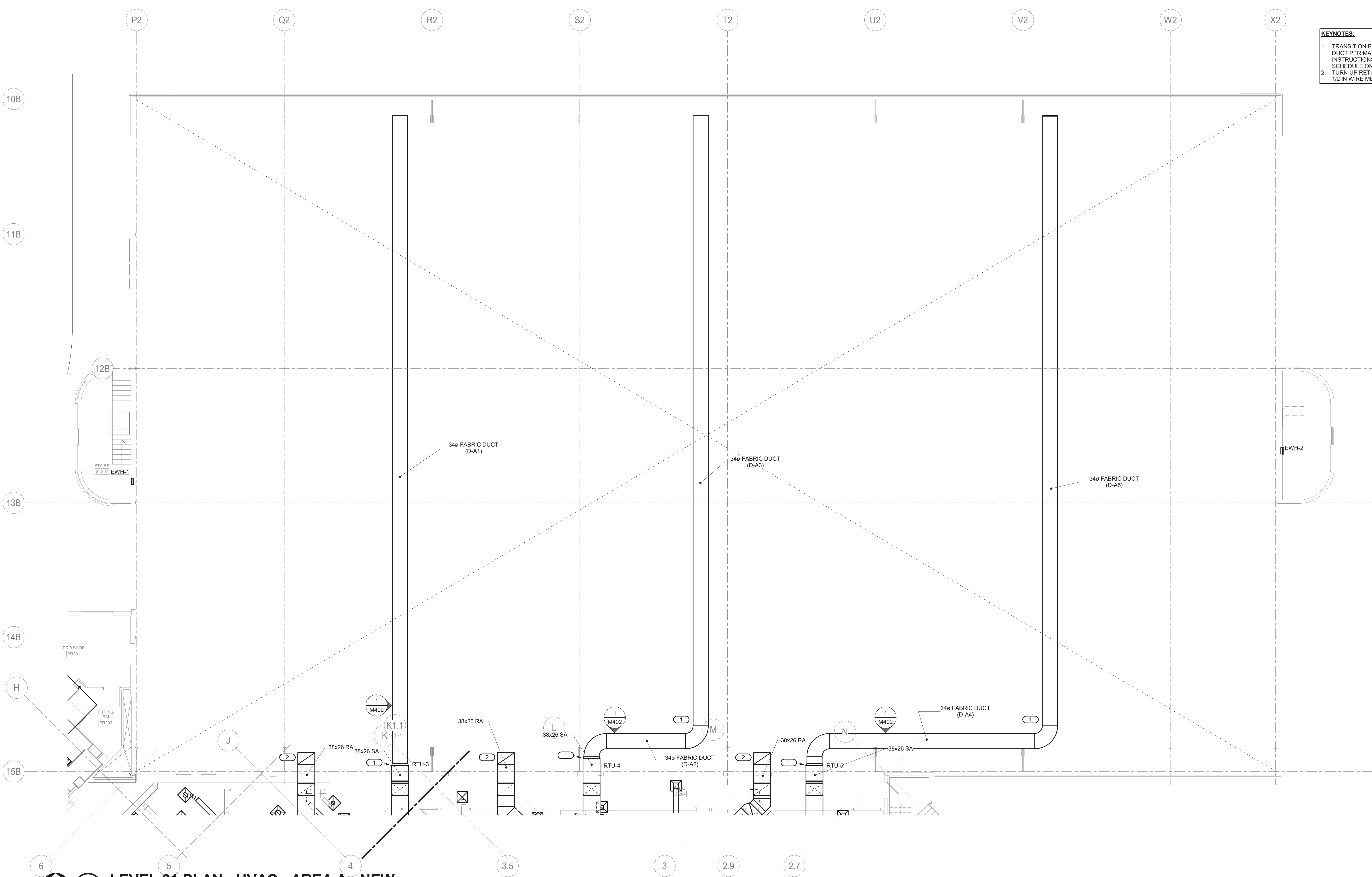
ISSUE DATE: 11/07/2025

SHEET NO.

M201A

PUBLICATIONS PERMIT SET

- KEYNOTES:**
- TRANSITION FROM SHEETMETAL TO FABRIC DUCT PER MANUFACTURER'S INSTALLATION INSTRUCTIONS. REFER TO FABRIC DUCT SCHEDULE ON M500 FOR MORE DETAIL.
 - TURN UP RETURN DUCT AND TERMINATE WITH 1/2 IN WIRE MESH GRILL.

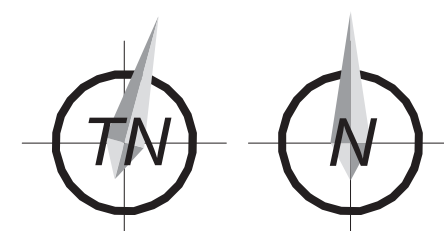
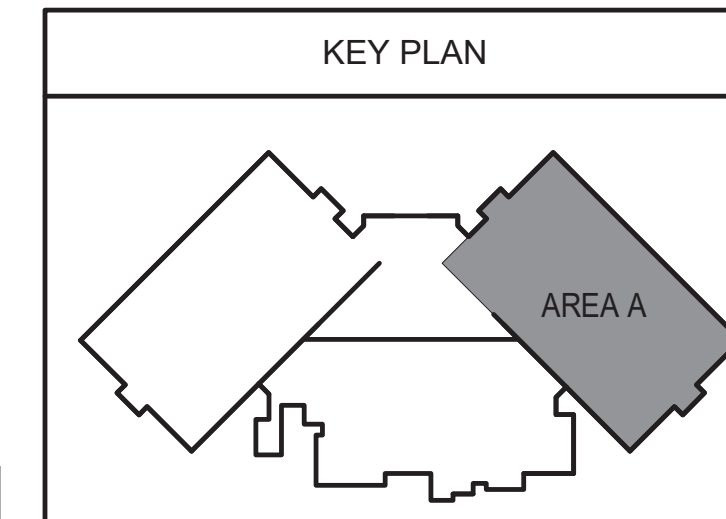


1 LEVEL 01 PLAN - HVAC - AREA A - NEW
1/8" = 1'-0"

IMEG
100 GLASS STREET
DALLAS, TX 75207
P: 214.752.8008 F: 214.752.8771
www.imegcorp.com

IMEG RESERVES PROPRIETARY RIGHTS, INCLUDING COPYRIGHTS, TO THIS DRAWING AND THE DATA SHOWN THEREON. SAID DRAWING AND/OR DATA ARE THE EXCLUSIVE PROPERTY OF IMEG AND SHALL NOT BE REPRODUCED OR REPRODUCED FOR ANY OTHER PROJECT WITHOUT THE EXPRESS WRITTEN APPROVAL AND PARTICIPATION OF IMEG. ©2025 IMEG CONSULTANTS CORP.

Texas Firm Registration #7-24262
REF. SCALE IN INCHES: 0 1 2 3
PROJECT #25004897.00



E
D
C
B
A

11/7/2025 3:54:14 PM

1 2 3 4 5 6

LEVEL 01 PLAN - HVAC - AREA A - NEW

PROJECT INFORMATION

**LIFE TIME DAYTON
SPORT & RACQUET**
4242 CLYO RD
DAYTON, OH 45440

DRAWING LOG

REV	DATE	DESCRIPTION

CONFIDENTIALITY NOTICE

BY ACCEPTING THIS MATERIAL, THE RECIPIENT ACKNOWLEDGES AND AGREES THAT THE INFORMATION CONTAINED HEREIN IS CONFIDENTIAL AND SHALL NOT BE DISCLOSED, DISTRIBUTED, OR OTHERWISE TRANSMITTED IN ANY WAY WITHOUT THE EXPRESS WRITTEN CONSENT OF LIFE TIME, INC. OR ITS SUBSIDIARIES (LT). THIS MATERIAL AND INFORMATION REMAINS THE SOLE PROPERTY OF LT AND LT RESERVES THE RIGHT TO REQUIRE ITS RETURN AT ANY TIME. THE RECIPIENT AGREES TO DEFEND AND INDEMNIFY LT FROM ANY DAMAGES OR LOSSES ARISING OUT OF THE UNAUTHORIZED USE OR DISCLOSURE OF THE INFORMATION.

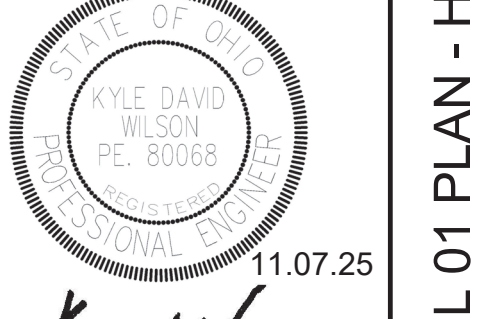
PROFESSIONAL OF RECORD

I HEREBY CERTIFY THAT THIS PLAN, SPECIFICATION, OR REPORT WAS PREPARED BY ME OR UNDER MY DIRECT SUPERVISION AND THAT I AM A DULY REGISTERED ARCHITECT UNDER THE LAWS OF THE STATE OF

NAME: _____ REG. NO. _____

EXP DATE: _____

STAMP



ISSUE DATE: 11/07/2025

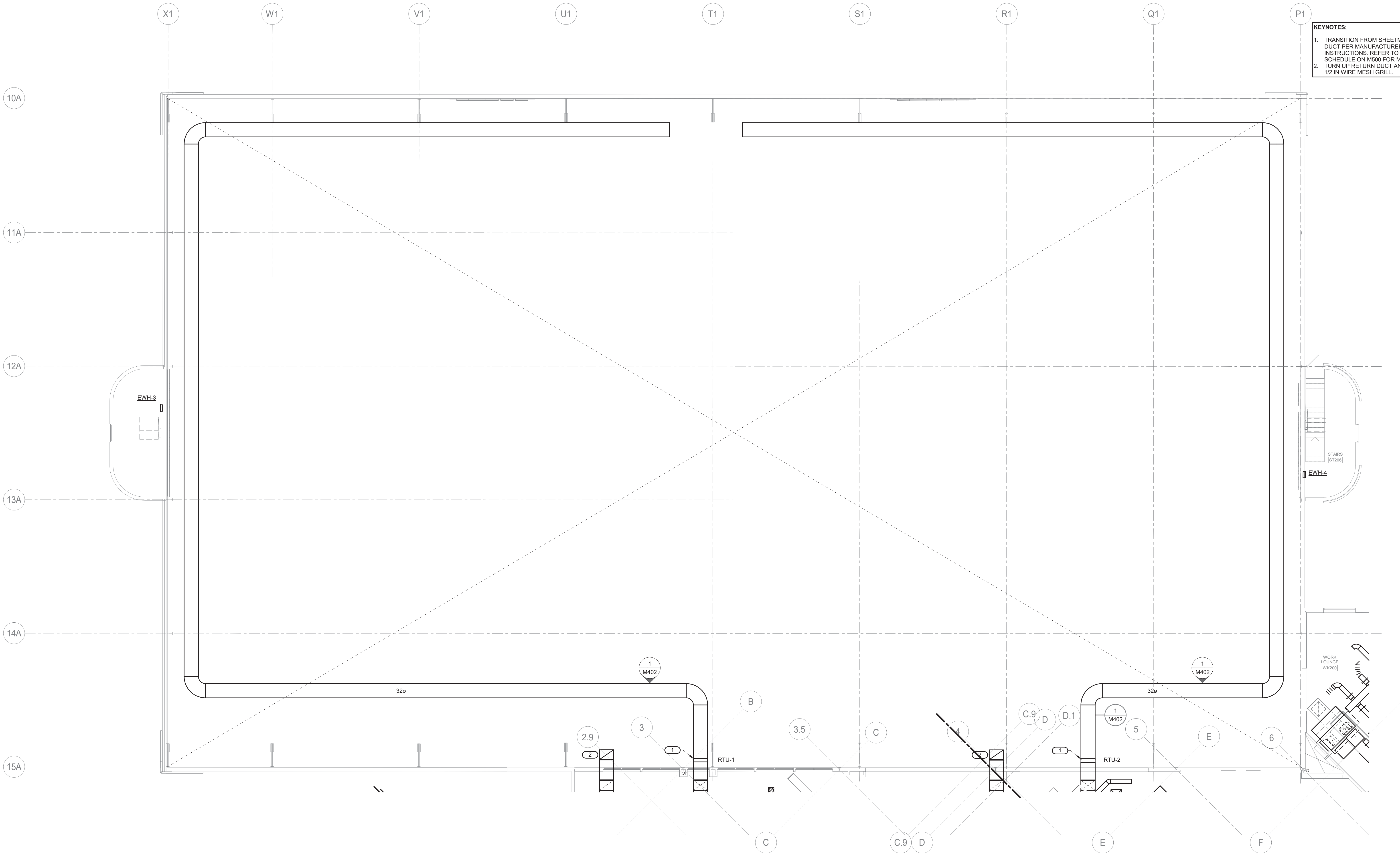
SHEET NO.

M201B

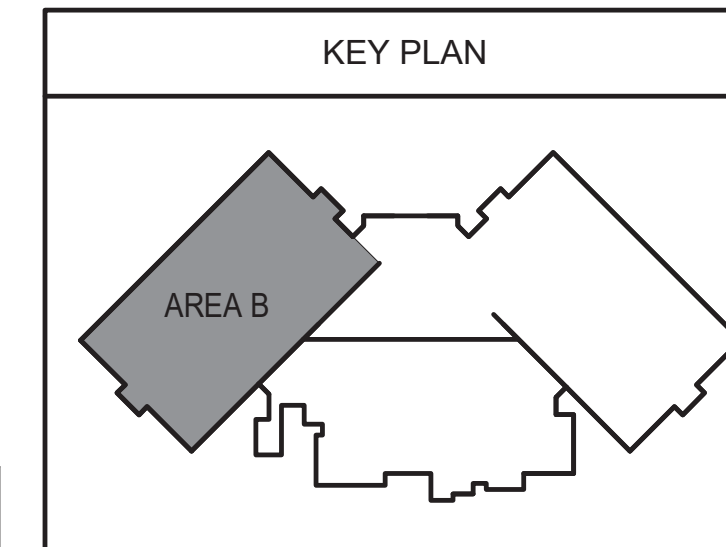
PUBLICATIONS

PERMIT SET

KEYNOTES:
1. TRANSITION FROM SHEETMETAL TO FABRIC DUCT PER MANUFACTURER'S INSTALLATION INSTRUCTIONS. REFER TO FABRIC DUCT SCHEDULE ON M500 FOR MORE DETAIL.
2. TURN UP RETURN DUCT AND TERMINATE WITH 1/2 IN WIRE MESH GRILL.



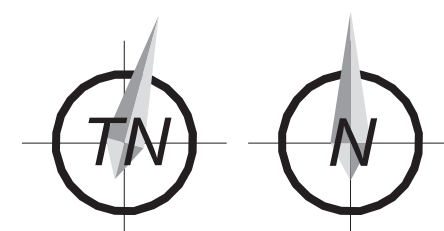
1 LEVEL 01 PLAN - HVAC - AREA B - NEW
1/8" = 1'-0"



IMEG
100 GLASS STREET
DALLAS, TX 75207
P: 214.752.8008 F: 214.752.8771
www.imegcorp.com

IMEG RESERVES PROPRIETARY RIGHTS, INCLUDING COPYRIGHTS, TO THIS DRAWING AND THE DATA SHOWN THEREON. SAID DRAWING AND/OR DATA ARE THE EXCLUSIVE PROPERTY OF IMEG AND SHALL NOT BE REPRODUCED OR REPRODUCED FOR ANY OTHER PROJECT WITHOUT THE EXPRESS WRITTEN APPROVAL AND PARTICIPATION OF IMEG.
©2025 IMEG CONSULTANTS CORP.
Texas Firm Registration #7-24262
PROJECT #25004897.00

REF. SCALE IN INCHES: 0 1 2 3
PROJECT SCALE IN INCHES: 1/8" = 1'-0"



E
D
C
B
A

11/7/2025 3:54:17 PM

PROJECT INFORMATION

**LIFE TIME DAYTON
SPORT & RACQUET**
4242 CLOY RD
DAYTON, OH 45440

DRAWING LOG

REV	DATE	DESCRIPTION

CONFIDENTIALITY NOTICE
BY ACCEPTING THIS MATERIAL, THE RECIPIENT ACKNOWLEDGES AND AGREES THAT THE INFORMATION CONTAINED HEREIN IS CONFIDENTIAL AND SHALL NOT BE DISCLOSED, DISTRIBUTED, OR OTHERWISE TRANSMITTED IN ANY WAY WITHOUT THE EXPRESS WRITTEN CONSENT OF LIFE TIME, INC. OR ITS SUBSIDIARIES (LT). THIS MATERIAL AND INFORMATION REMAINS THE SOLE PROPERTY OF LT AND LT RESERVES THE RIGHT TO REQUIRE ITS RETURN AT ANY TIME. THE RECIPIENT AGREES TO DEFEND AND INDEMNIFY LT FROM ANY DAMAGES OR LOSSES ARISING OUT OF THE UNAUTHORIZED USE OR DISCLOSURE OF THE INFORMATION.

PROFESSIONAL OF RECORD

I HEREBY CERTIFY THAT THIS PLAN, SPECIFICATION, OR REPORT WAS PREPARED BY ME OR UNDER MY DIRECT SUPERVISION AND THAT I AM A DULY REGISTERED ARCHITECT UNDER THE LAWS OF THE STATE OF OHIO.

NAME: _____ REG. NO.: _____

EXP DATE: _____

STAMP



11.07.25

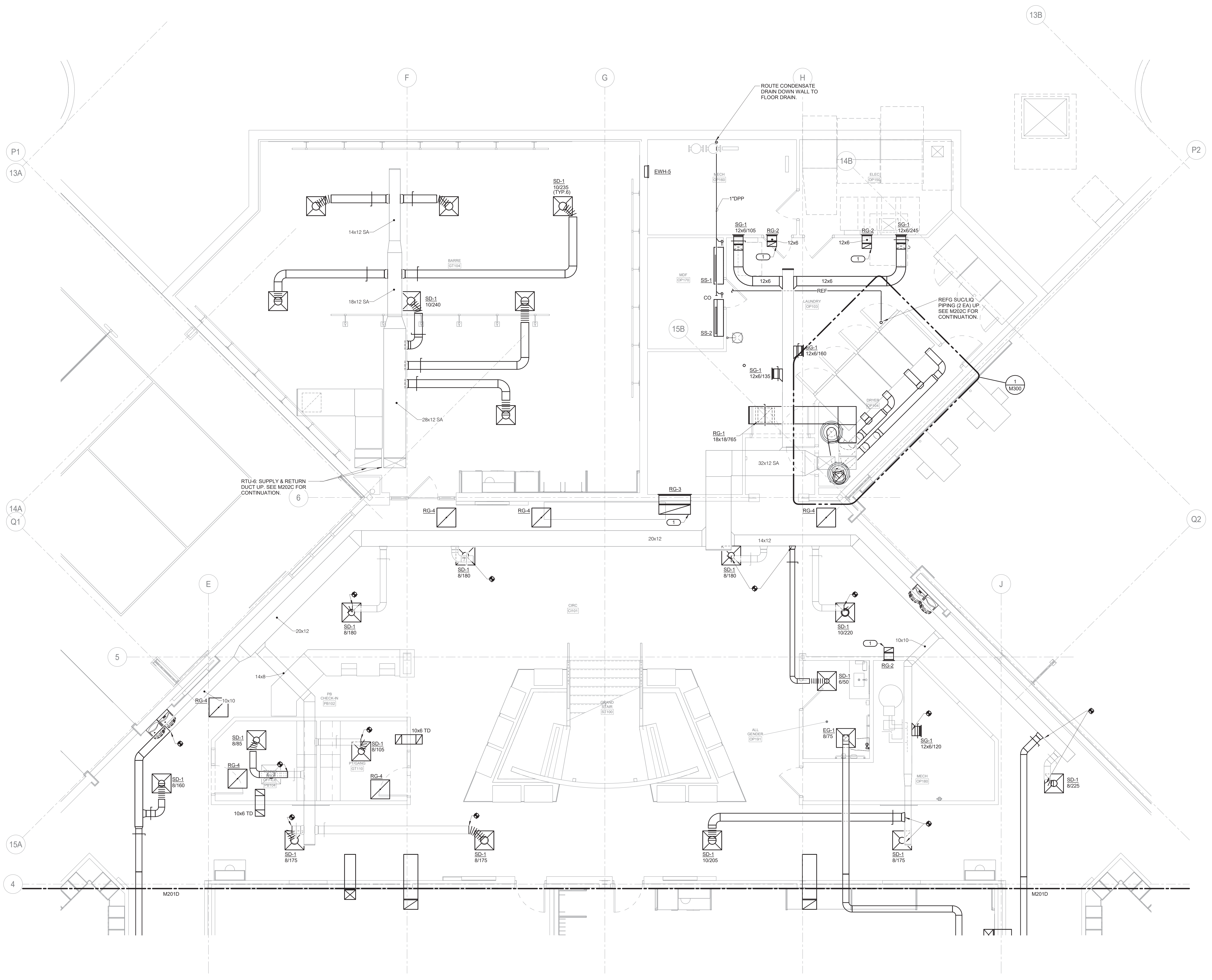
ISSUE DATE: 11/07/2025

SHEET NO.

M201C

PUBLICATIONS PERMIT SET

KEYNOTES:
1. ELBOW UP RETURN DUCT AND TERMINATE WITH MESH SCREEN.



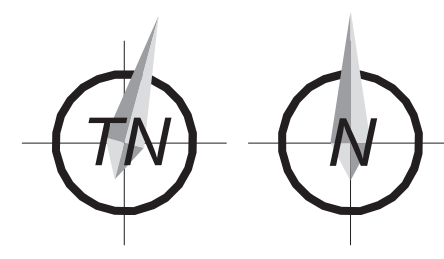
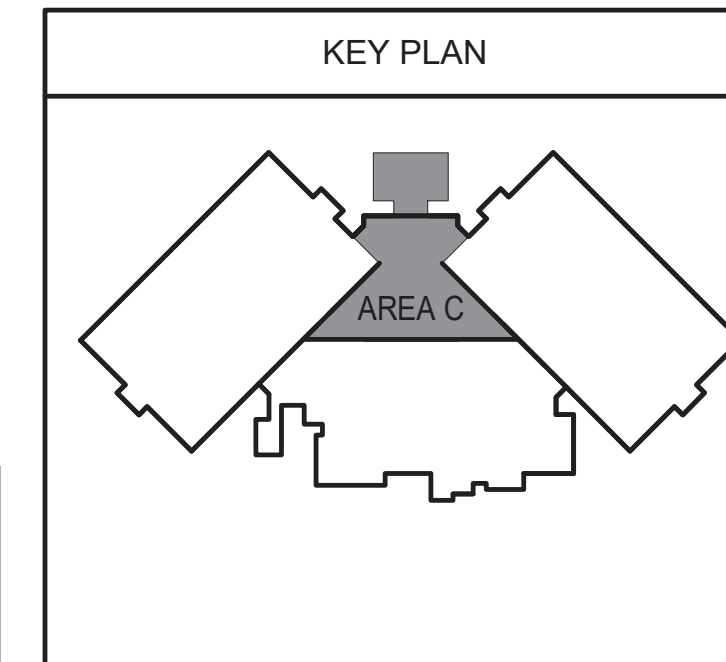
1 LEVEL 01 PLAN - HVAC - AREA C - NEW
1/4" = 1'-0"

IMEG
100 GLASS STREET
DALLAS, TX 75207
P: 214.752.8008 F: 214.752.8771
www.imegcorp.com

IMEG RESERVES PROPRIETARY RIGHTS, INCLUDING COPYRIGHTS, TO THIS DRAWING AND THE DATA SHOWN THEREON. SAID DRAWING AND/OR DATA ARE THE EXCLUSIVE PROPERTY OF IMEG AND SHALL NOT BE REPRODUCED OR REPRODUCED FOR ANY OTHER PROJECT WITHOUT THE EXPRESS WRITTEN APPROVAL AND PARTICIPATION OF IMEG. ©2025 IMEG CONSULTANTS CORP.

Texas Firm Registration #7-24282
PROJ.ECT #25004897.00

SCALE IN INCHES: 0 1 2 3



11/7/2025 3:54:21 PM

PROJECT INFORMATION

**LIFE TIME DAYTON
SPORT & RACQUET**
4242 CLYO RD
DAYTON, OH 45440

DRAWING LOG

REV	DATE	DESCRIPTION

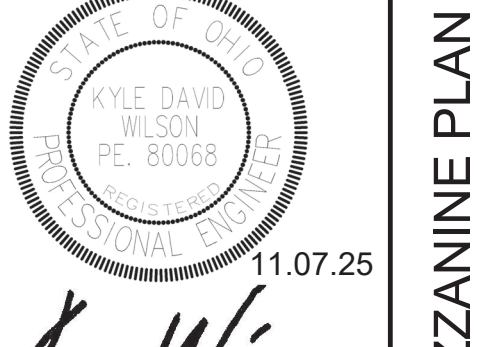
CONFIDENTIALITY NOTICE
BY ACCEPTING THIS MATERIAL, THE RECIPIENT ACKNOWLEDGES AND AGREES THAT THE INFORMATION CONTAINED HEREIN IS CONFIDENTIAL AND SHALL NOT BE DISCLOSED, DISTRIBUTED, OR OTHERWISE TRANSMITTED IN ANY WAY WITHOUT THE EXPRESS WRITTEN CONSENT OF LIFE TIME, INC. OR ITS SUBSIDIARIES (LTI). THIS MATERIAL AND INFORMATION REMAINS THE SOLE PROPERTY OF LTI AND LTI RESERVES THE RIGHT TO REQUIRE ITS RETURN AT ANY TIME. THE RECIPIENT AGREES TO DEFEND AND INDEMNIFY LTI FROM ANY DAMAGES OR LOSSES ARISING OUT OF THE UNAUTHORIZED USE OR DISCLOSURE OF THE INFORMATION.

PROFESSIONAL OF RECORD

I HEREBY CERTIFY THAT THIS PLAN, SPECIFICATION, OR REPORT WAS PREPARED BY ME OR UNDER MY DIRECT SUPERVISION AND THAT I AM A DULY REGISTERED ARCHITECT UNDER THE LAWS OF THE STATE OF

NAME: _____ REG. NO. _____
EXP DATE: _____

STAMP



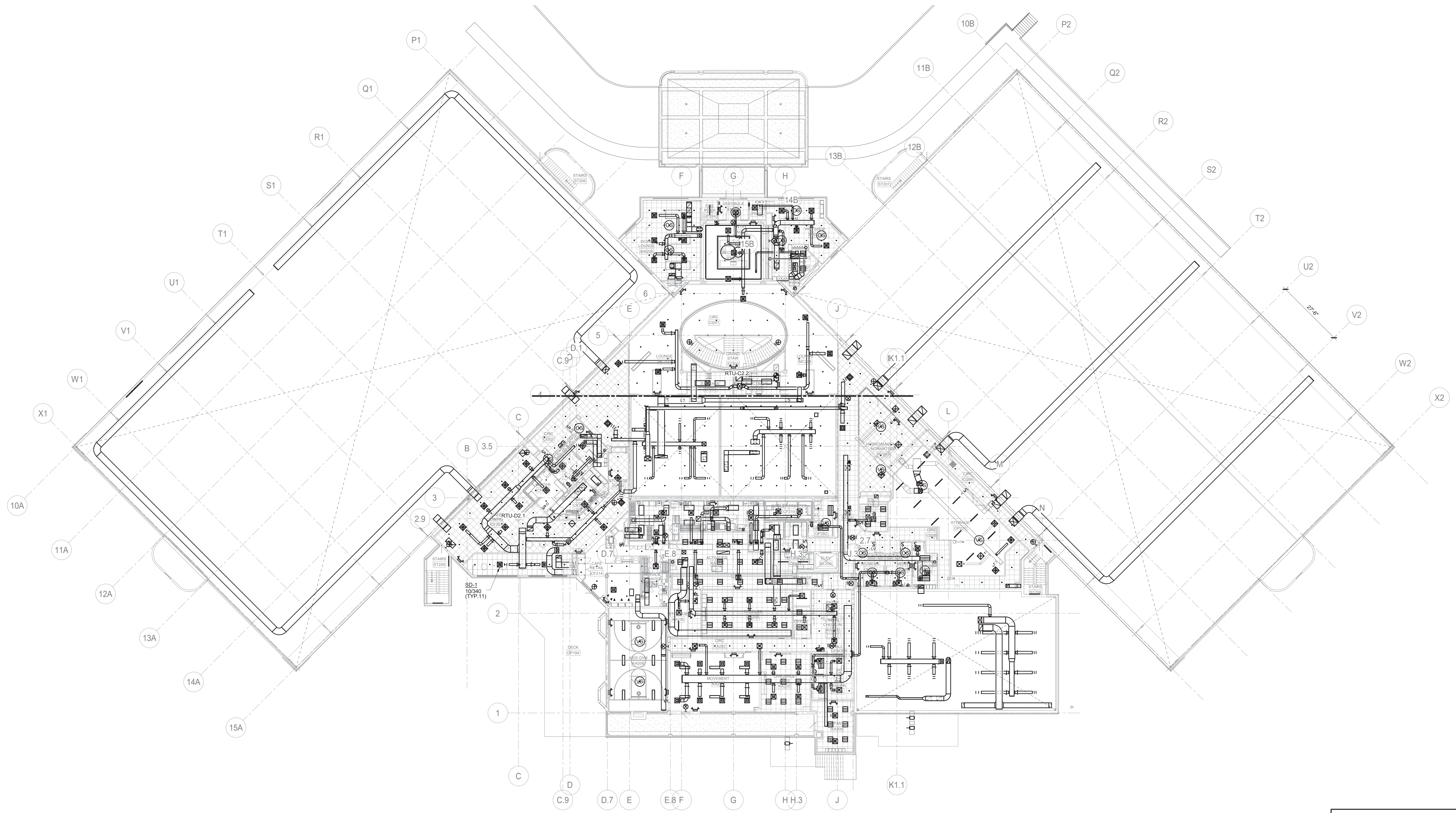
ISSUE DATE: 11/07/2025

SHEET NO.

M202

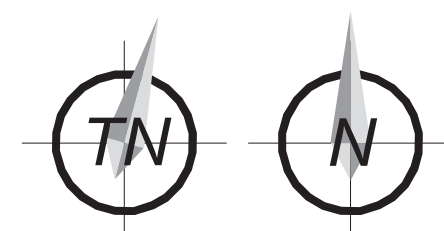
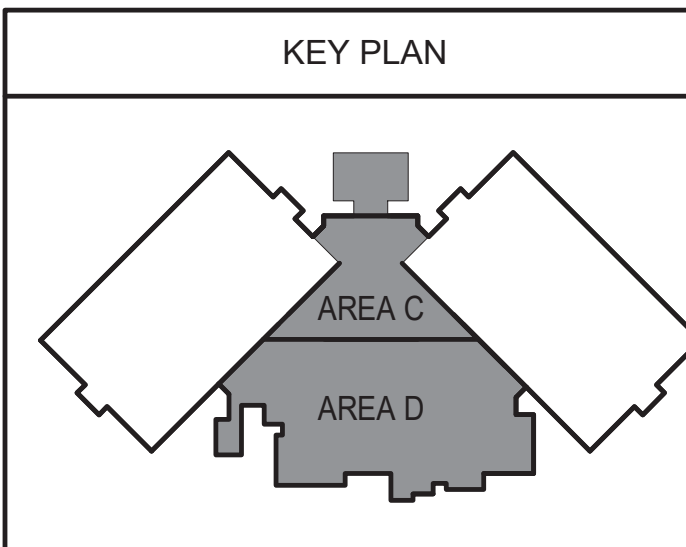
PUBLICATIONS PERMIT SET

MEZZANINE PLAN - HVAC - NEW



MEZZANINE PLAN - HVAC - NEW
1/16" = 1'-0"

IMEG
100 GLASS STREET
DALLAS, TX 75207
P: 214.752.8008 F: 214.752.8771
www.imegcorp.com
IMEG RESERVES PROPRIETARY RIGHTS, INCLUDING COPYRIGHTS, TO THIS DRAWING AND THE DATA SHOWN THEREON. SAID DRAWING AND/OR DATA ARE THE EXCLUSIVE PROPERTY OF IMEG AND SHALL NOT BE REPRODUCED OR TRANSMITTED IN ANY FORM OR BY ANY MEANS, ELECTRONIC OR MECHANICAL, INCLUDING PHOTOCOPYING, RECORDING, OR BY ANY INFORMATION STORAGE AND RETRIEVAL SYSTEM, WITHOUT THE EXPRESS WRITTEN APPROVAL AND PARTICIPATION OF IMEG.
©2025 IMEG CORP. ALL RIGHTS RESERVED.



11/7/2025 3:54:50 PM

PROJECT INFORMATION

LIFE TIME DAYTON
SPORT & RACQUET
4242 CLOY RD
DAYTON, OH 45440

DRAWING LOG

REV	DATE	DESCRIPTION

CONFIDENTIALITY NOTICE
BY ACCEPTING THIS MATERIAL, THE RECIPIENT ACKNOWLEDGES AND AGREES THAT THE INFORMATION CONTAINED HEREIN IS CONFIDENTIAL AND SHALL NOT BE DISCLOSED, DISTRIBUTED, OR OTHERWISE TRANSMITTED IN ANY WAY WITHOUT THE EXPRESS WRITTEN CONSENT OF LIFE TIME, INC. OR ITS SUBSIDIARIES (LTI). THIS MATERIAL AND INFORMATION REMAINS THE SOLE PROPERTY OF LTI AND LTI RESERVES THE RIGHT TO REQUIRE ITS RETURN AT ANY TIME. THE RECIPIENT AGREES TO DEFEND AND INDEMNIFY LTI FROM ANY DAMAGES OR LOSSES ARISING OUT OF THE UNAUTHORIZED USE OR DISCLOSURE OF THE INFORMATION.

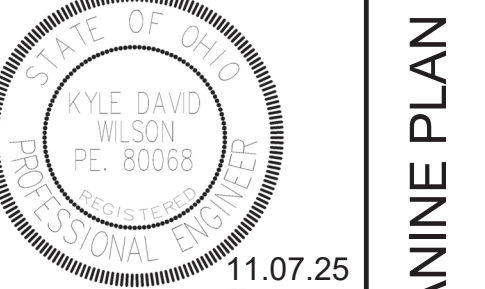
PROFESSIONAL OF RECORD

I HEREBY CERTIFY THAT THIS PLAN, SPECIFICATION, OR REPORT WAS PREPARED BY ME OR UNDER MY DIRECT SUPERVISION AND THAT I AM A DULY REGISTERED ARCHITECT UNDER THE LAWS OF THE STATE OF OHIO.

NAME: _____ REG. NO.: _____

EXP. DATE: _____

STAMP



11.07.25

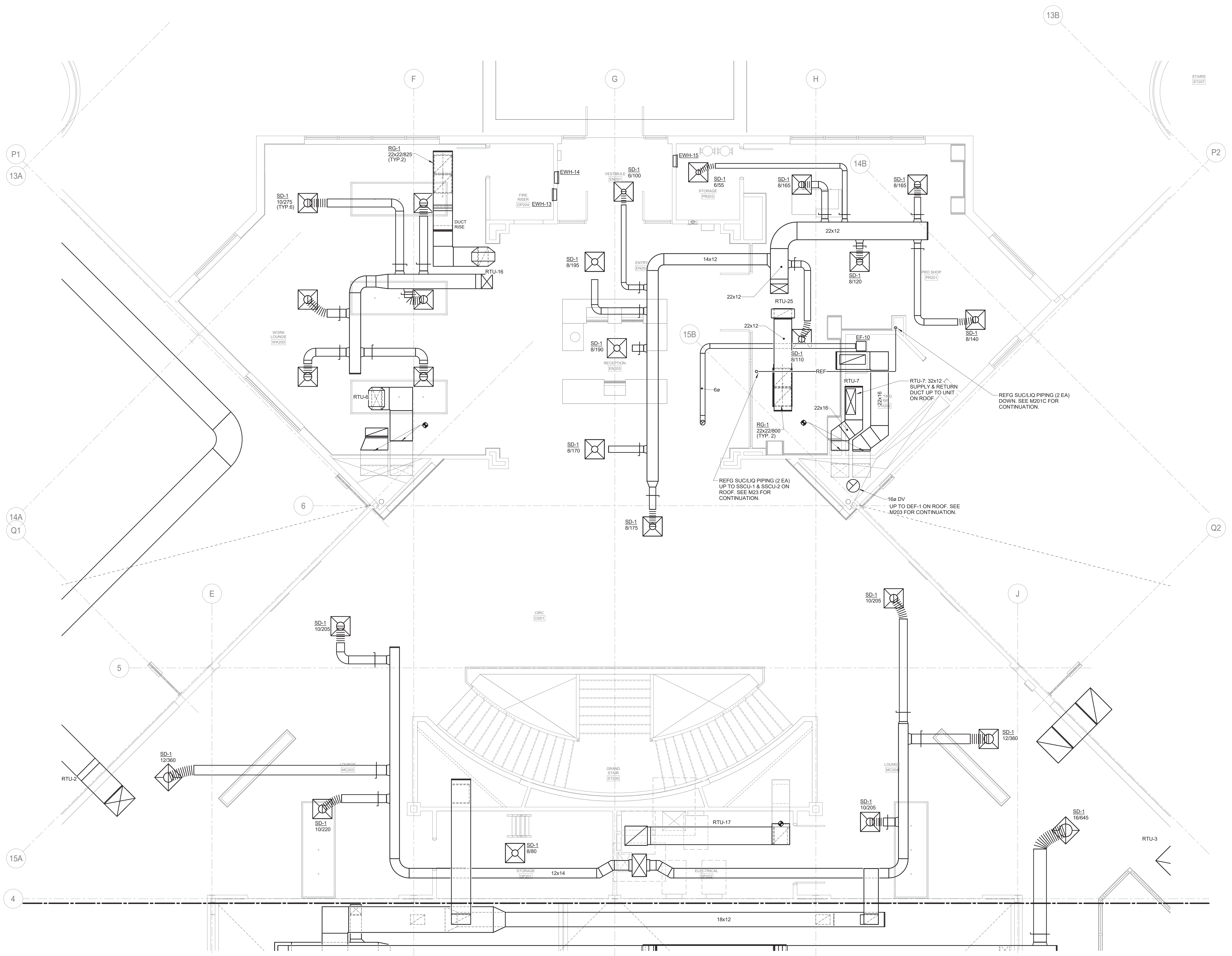
ISSUE DATE: 11/07/2025

SHEET NO.

M202C

PUBLICATIONS PERMIT SET

MEZZANINE PLAN - HVAC - AREA C - NEW

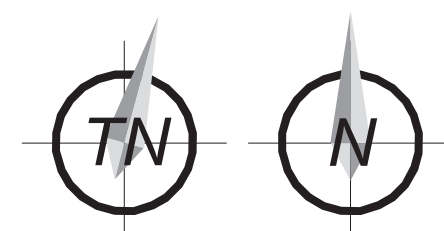
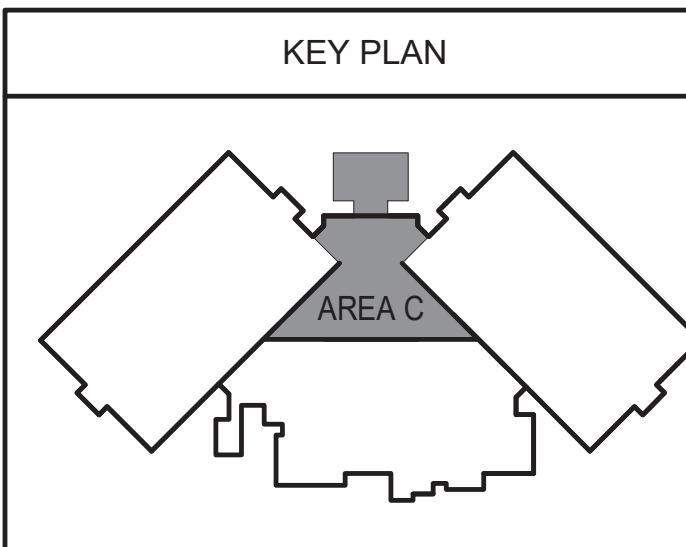


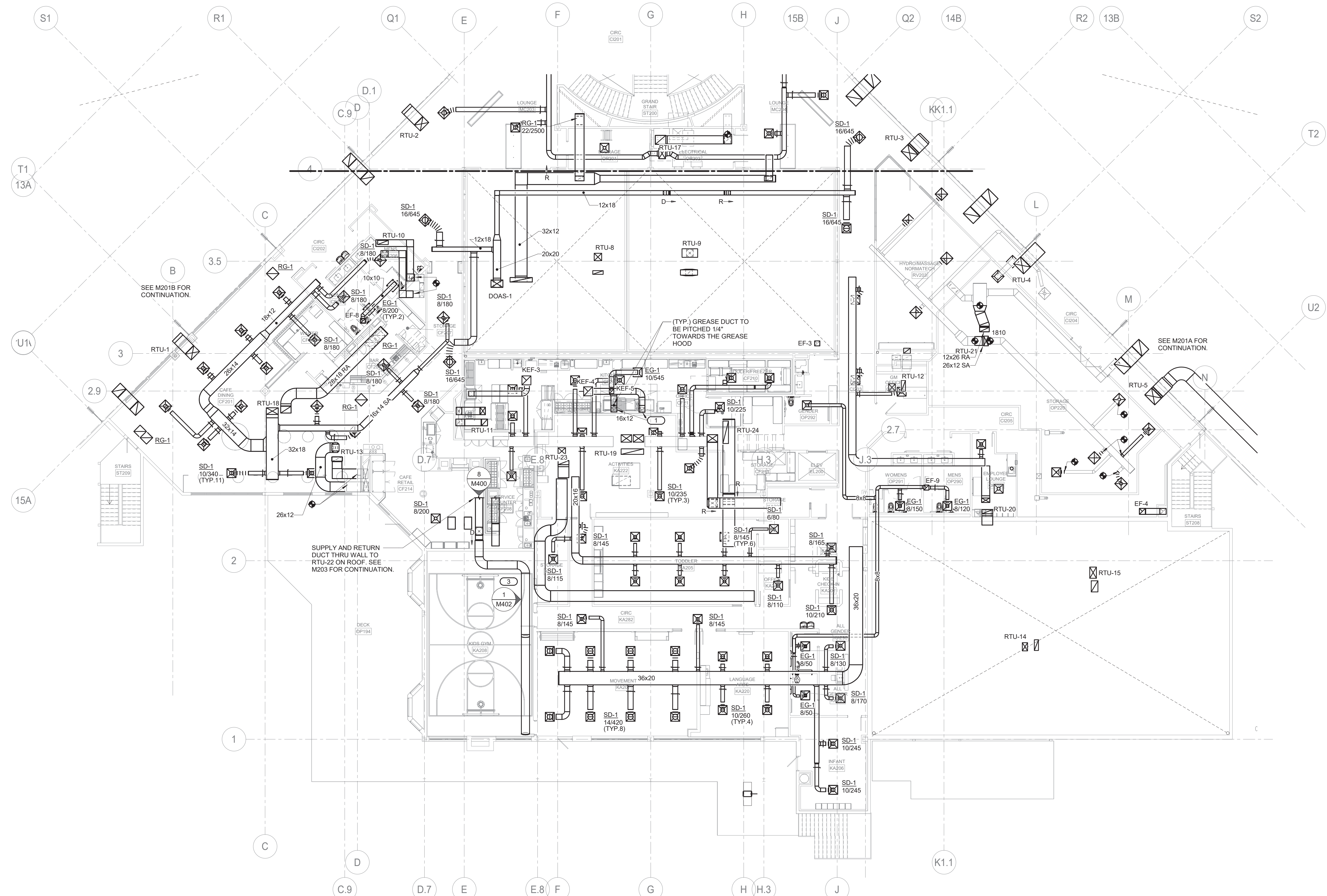
1 MEZZANINE PLAN - HVAC - AREA C - NEW
1/4" = 1'-0"

IMEG
100 GLASS STREET
DALLAS, TX 75207
P: 214.752.8008 F: 214.752.8771
www.imegcorp.com

IMEG RESERVES PROPRIETARY RIGHTS, INCLUDING COPYRIGHTS, TO THIS DRAWING AND THE DATA SHOWN THEREON. SAID DRAWING AND/OR DATA ARE THE EXCLUSIVE PROPERTY OF IMEG AND SHALL NOT BE REPRODUCED OR REPRODUCED FOR ANY OTHER PROJECT WITHOUT THE EXPRESS WRITTEN APPROVAL AND PARTICIPATION OF IMEG. ©2025 IMEG CONSULTANTS CORP.

Scale: 1" = 1'-0"





KEYNOTES:
 1. TYPE 1 KITCHEN HOOD, 4060 CFM EA. SEE FOOD SERVICE PLANS.

PROJECT INFORMATION

LIFE TIME DAYTON
SPORT & RACQUET
 4242 CLYO RD
 DAYTON, OH 45440

DRAWING LOG

REV	DATE	DESCRIPTION

CONFIDENTIALITY NOTICE
 BY ACCEPTING THIS MATERIAL, THE RECIPIENT ACKNOWLEDGES AND AGREES THAT THE INFORMATION CONTAINED HEREIN IS CONFIDENTIAL AND SHALL NOT BE DISCLOSED, DISTRIBUTED, OR OTHERWISE TRANSMITTED IN ANY WAY WITHOUT THE EXPRESS WRITTEN CONSENT OF LIFE TIME, INC. OR ITS SUBSIDIARIES (LTI). THIS MATERIAL AND INFORMATION REMAINS THE SOLE PROPERTY OF LTI AND LTI RESERVES THE RIGHT TO REQUIRE ITS RETURN AT ANY TIME. THE RECIPIENT AGREES TO DEFEND AND INDEMNIFY LTI FROM ANY DAMAGES OR LOSSES ARISING OUT OF THE UNAUTHORIZED USE OR DISCLOSURE OF THE INFORMATION.

PROFESSIONAL OF RECORD

I HEREBY CERTIFY THAT THIS PLAN, SPECIFICATION, OR REPORT WAS PREPARED BY ME OR UNDER MY DIRECT SUPERVISION AND THAT I AM A DULY REGISTERED ARCHITECT UNDER THE LAWS OF THE STATE OF

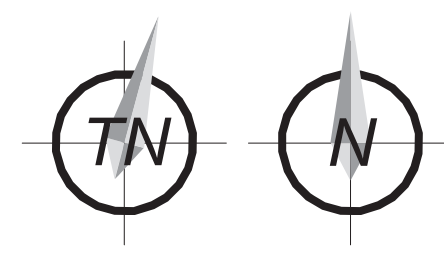
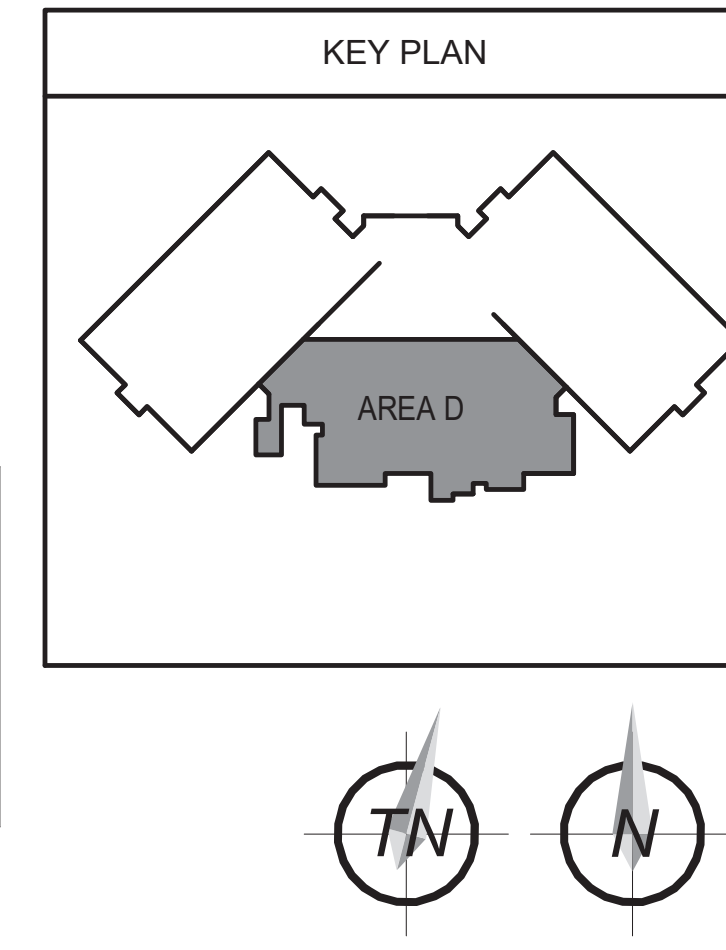
NAME: **Kyle David Wilson** REG. NO. **11.07.25**
 EXP DATE: **11.07.25**

ISSUE DATE: 11/07/2025

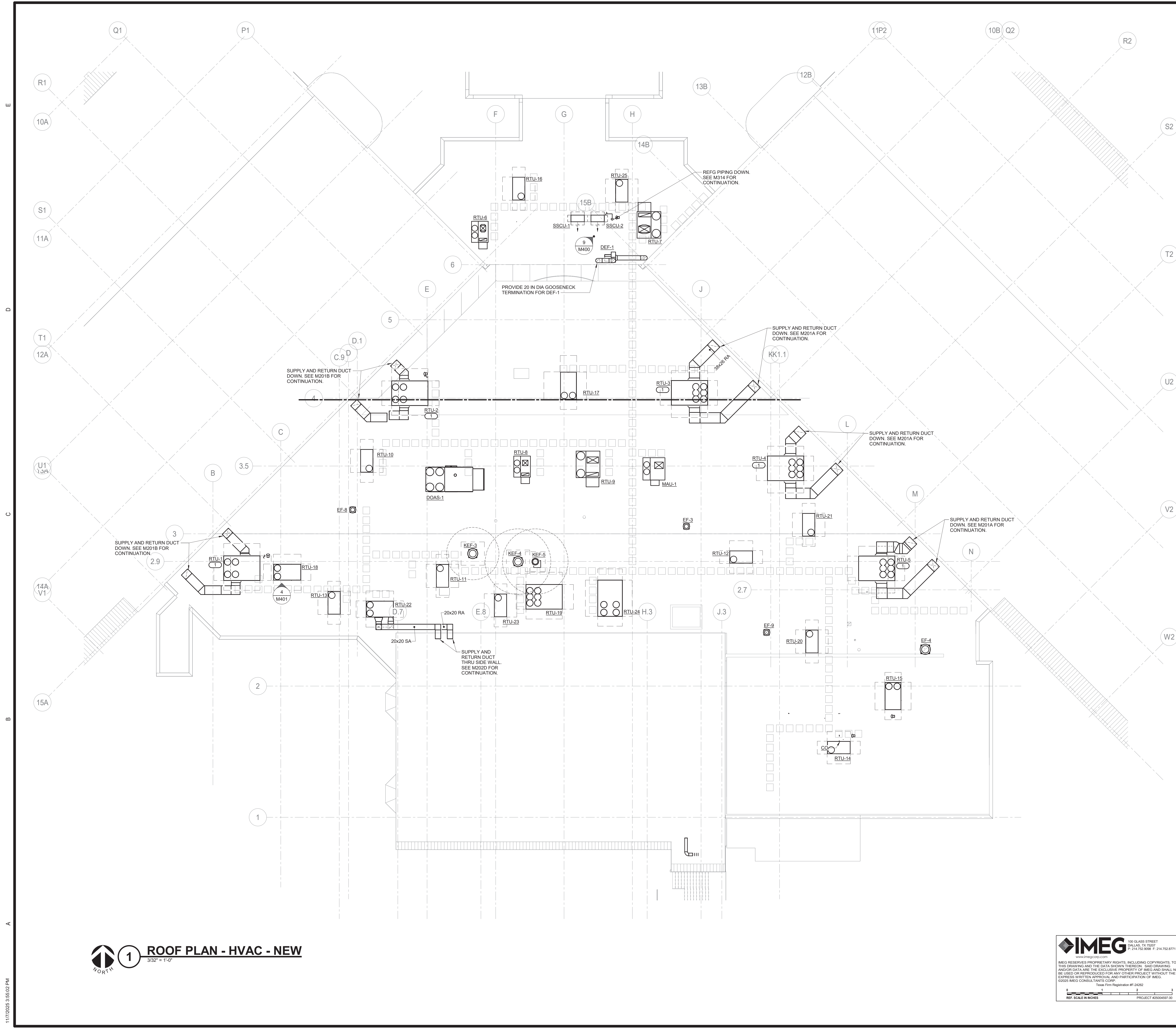
SHEET NO. **M202D**
 PUBLICATIONS PERMIT SET

MEZZANINE PLAN - HVAC - AREA D - NEW
 3/32" = 1'-0"

IMEG
 100 GLASS STREET
 DALLAS, TX 75207
 P: 214.752.8008 F: 214.752.8771
 www.imegcorp.com
 IMEG RESERVES PROPRIETARY RIGHTS, INCLUDING COPYRIGHTS, TO THIS DRAWING AND THE DATA SHOWN THEREON. SAID DRAWING AND/OR DATA ARE THE EXCLUSIVE PROPERTY OF IMEG AND SHALL NOT BE REPRODUCED OR REPRODUCED FOR ANY OTHER PROJECT WITHOUT THE EXPRESS WRITTEN APPROVAL AND PARTICIPATION OF IMEG. ©2025 IMEG CONSULTANTS CORP.
 Texas Firm Registration #7-24252
 REF. SCALE IN INCHES: 1" = 2'-0" PRO. EJECT #25004997.00



11/7/2025 3:54:57 PM



KEYNOTES:
 1. PROVIDE RTU ONTO PLENUM CURB FOR HORIZONTAL DUCT ATTACHMENTS.

DRAWING LOG

REV	DATE	DESCRIPTION

CONFIDENTIALITY NOTICE
 BY ACCEPTING THIS MATERIAL, THE RECIPIENT ACKNOWLEDGES AND AGREES THAT THE INFORMATION CONTAINED HEREIN IS CONFIDENTIAL AND SHALL NOT BE DISCLOSED, DISTRIBUTED, OR OTHERWISE TRANSMITTED IN ANY WAY WITHOUT THE EXPRESS WRITTEN CONSENT OF LIFE TIME, INC. OR ITS SUBSIDIARIES (LTI). THIS MATERIAL AND INFORMATION REMAINS THE SOLE PROPERTY OF LTI AND LTI RESERVES THE RIGHT TO REQUIRE ITS RETURN AT ANY TIME. THE RECIPIENT AGREES TO DEFEND AND INDEMNIFY LTI FROM ANY DAMAGES OR LOSSES ARISING OUT OF THE UNAUTHORIZED USE OR DISCLOSURE OF THE INFORMATION.

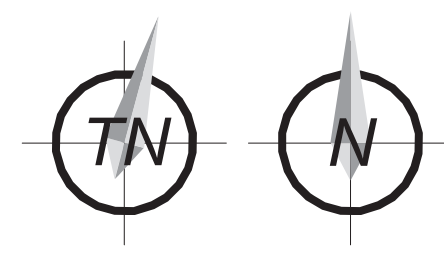
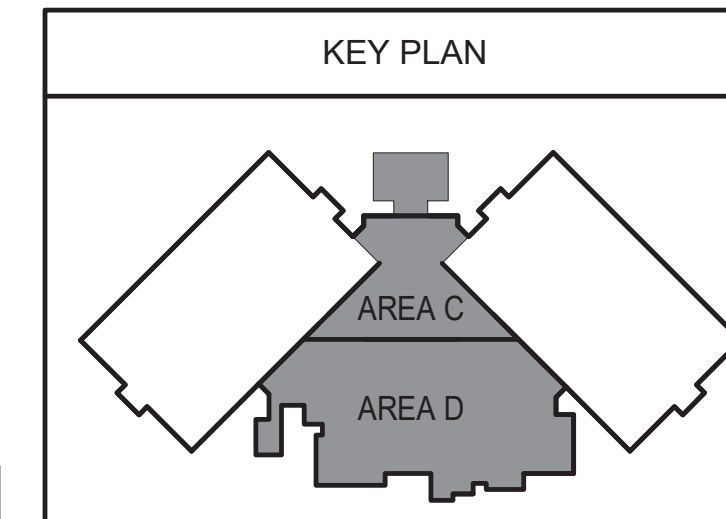
PROFESSIONAL OF RECORD
 I HEREBY CERTIFY THAT THIS PLAN, SPECIFICATION, OR REPORT WAS PREPARED BY ME OR UNDER MY DIRECT SUPERVISION AND THAT I AM A DULY REGISTERED ARCHITECT UNDER THE LAWS OF THE STATE OF OHIO.

NAME: **KYLE DAVID WILSON** REG. NO. **11.07.25**
 EXP DATE: **11.07.25**
 STAMP:

ISSUE DATE: 11/07/2025
 SHEET NO. **M203**
 PUBLICATIONS PERMIT SET

1 ROOF PLAN - HVAC - NEW
 3/32" = 1'-0"

IMEG
 100 GLASS STREET
 DALLAS, TX 75207
 P: 214.752.8008 F: 214.752.8771
 www.imegcorp.com
 IMEG RESERVES PROPRIETARY RIGHTS, INCLUDING COPYRIGHTS, TO THIS DRAWING AND THE DATA SHOWN THEREON. SAID DRAWING AND/OR DATA ARE THE EXCLUSIVE PROPERTY OF IMEG AND SHALL NOT BE LOANED OR REPRODUCED FOR ANY OTHER PROJECT WITHOUT THE EXPRESS WRITTEN APPROVAL AND PARTICIPATION OF IMEG. ©2025 IMEG CONSULTANTS CORP.
 Title: Firm Registration #1-24252
 REF. SCALE IN INCHES: 0 1 2 3
 PROJECT #25004697.00



11/07/2025 3:55:02 PM

ROOF PLAN - HVAC - NEW

PROJECT INFORMATION

LIFE TIME DAYTON
SPORT & RACQUET
4242 CLOY RD
DAYTON, OH 45440

DRAWING LOG

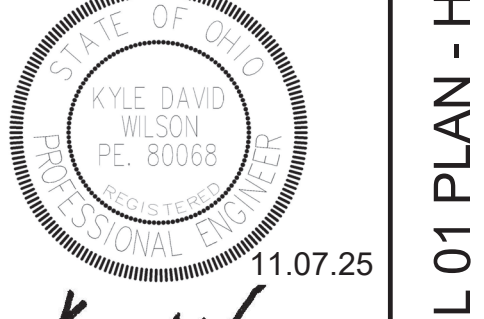
REV	DATE	DESCRIPTION

CONFIDENTIALITY NOTICE
BY ACCEPTING THIS MATERIAL, THE RECIPIENT ACKNOWLEDGES AND AGREES THAT THE INFORMATION CONTAINED HEREIN IS CONFIDENTIAL AND SHALL NOT BE DISCLOSED, DISTRIBUTED, OR OTHERWISE TRANSMITTED IN ANY WAY WITHOUT THE EXPRESS WRITTEN CONSENT OF LIFE TIME, INC. OR ITS SUBSIDIARIES (LT). THIS MATERIAL AND INFORMATION REMAINS THE SOLE PROPERTY OF LT AND LT RESERVES THE RIGHT TO REQUIRE ITS RETURN AT ANY TIME. THE RECIPIENT AGREES TO DEFEND AND INDEMNIFY LT FROM ANY DAMAGES OR LOSSES ARISING OUT OF THE UNAUTHORIZED USE OR DISCLOSURE OF THE INFORMATION.

PROFESSIONAL OF RECORD

I HEREBY CERTIFY THAT THIS PLAN, SPECIFICATION, OR REPORT WAS PREPARED BY ME OR UNDER MY DIRECT SUPERVISION AND THAT I AM A DULY REGISTERED ARCHITECT UNDER THE LAWS OF THE STATE OF

NAME: _____ REG. NO. _____
EXP. DATE: _____
STAMP

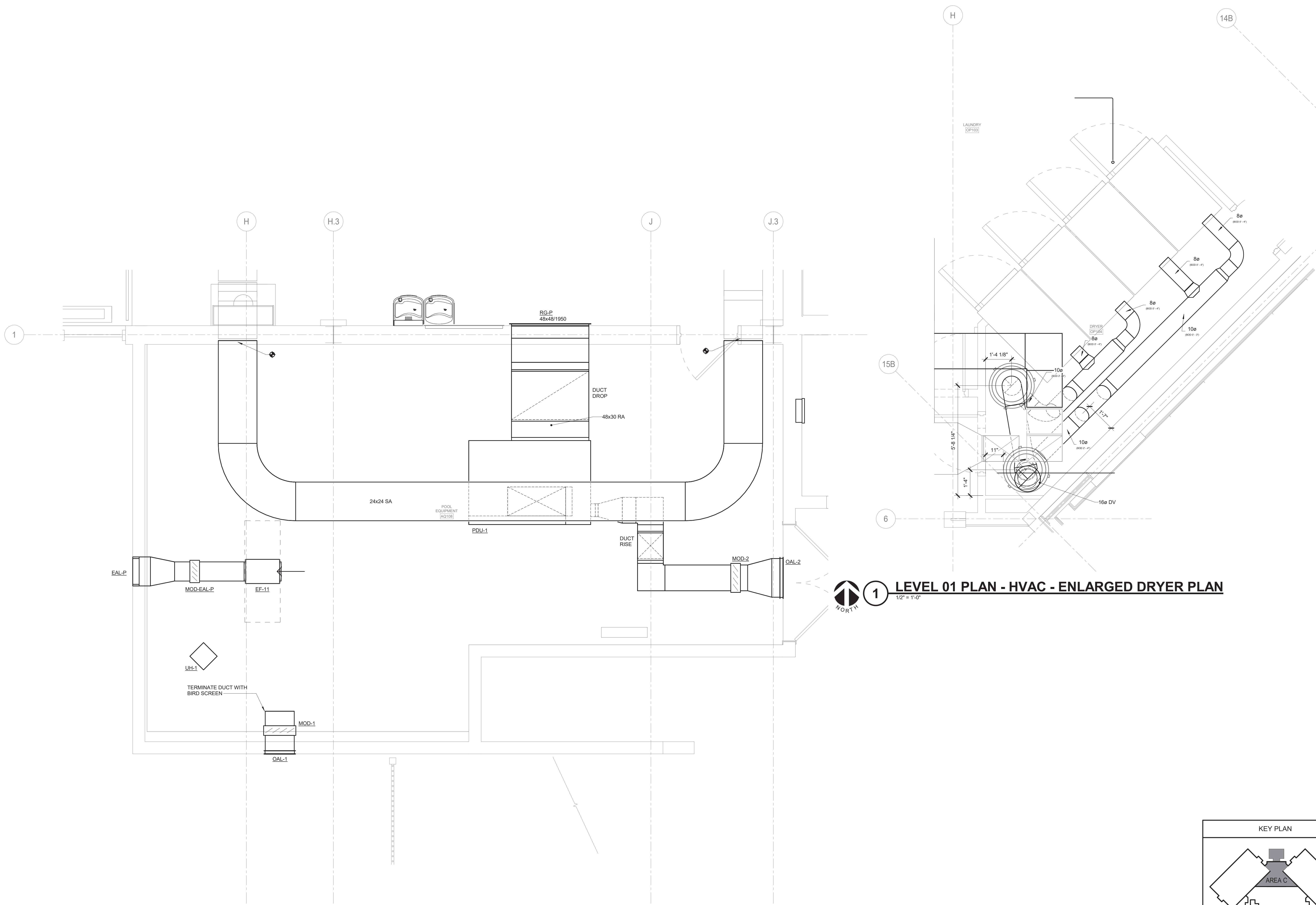


ISSUE DATE: 11/07/2025
SHEET NO.

M300

PUBLICATIONS PERMIT SET

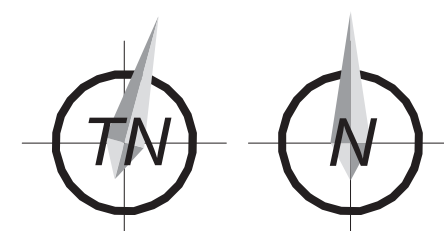
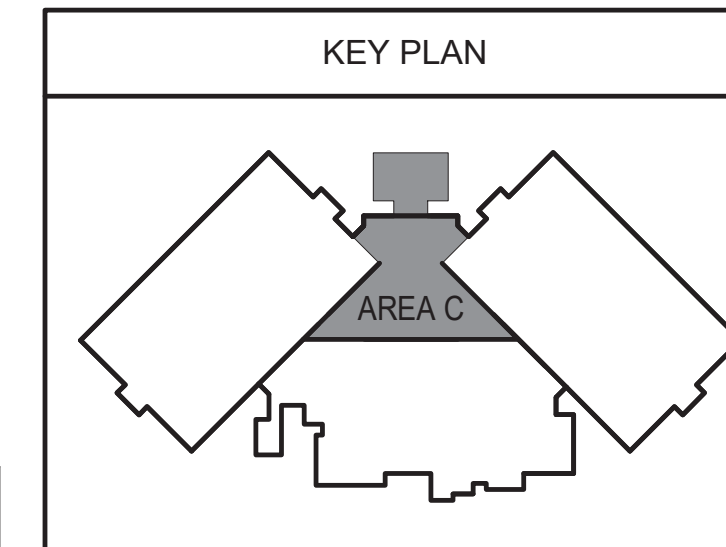
LEVEL 01 PLAN - HVAC - ENLARGED PLANS



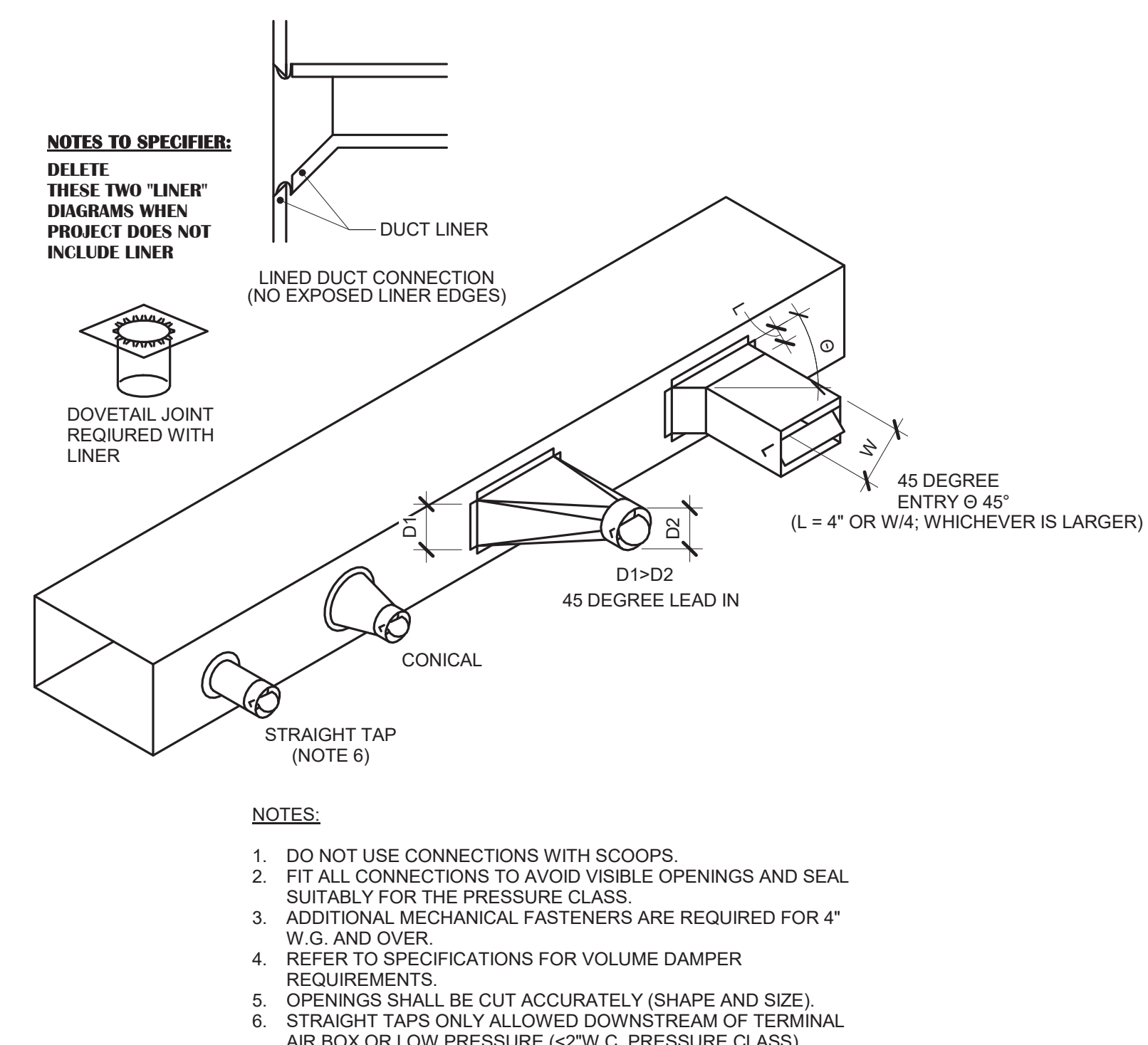
1 LEVEL 01 PLAN - HVAC - ENLARGED DRYER PLAN
1/2" = 1'-0"

2 LEVEL 01 PLAN - HVAC - AREA D - AQ108 POOL EQPT RM
1/2" = 1'-0"

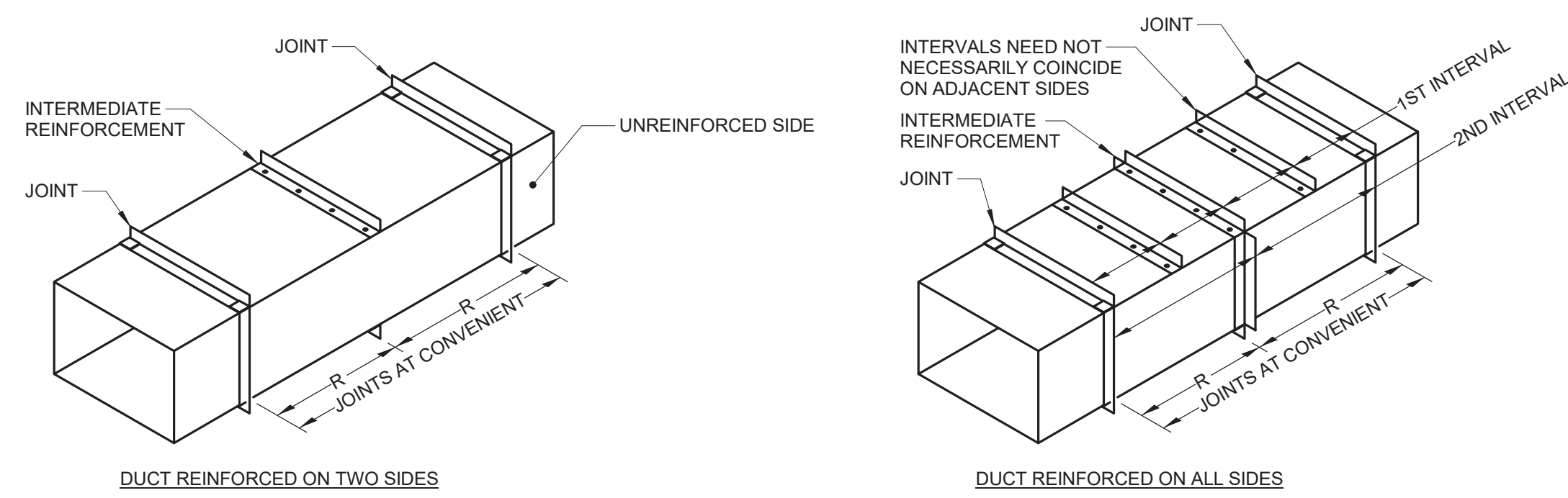
IMEG 100 GLASS STREET DALLAS, TX 75207 P: 214.752.2008 F: 214.752.8771
www.imegcorp.com
IMEG RESERVES PROPRIETARY RIGHTS, INCLUDING COPYRIGHTS, TO THIS DRAWING AND THE DATA SHOWN THEREON. SAID DRAWING AND/OR DATA ARE THE EXCLUSIVE PROPERTY OF IMEG AND SHALL NOT BE LOANED OR REPRODUCED FOR ANY OTHER PROJECT WITHOUT THE EXPRESS WRITTEN APPROVAL AND PARTICIPATION OF IMEG.
©2025 IMEG CONSULTANTS CORP.
Texas Firm Registration #P-24262
REF. SCALE IN INCHES PROJECT #25004897.00



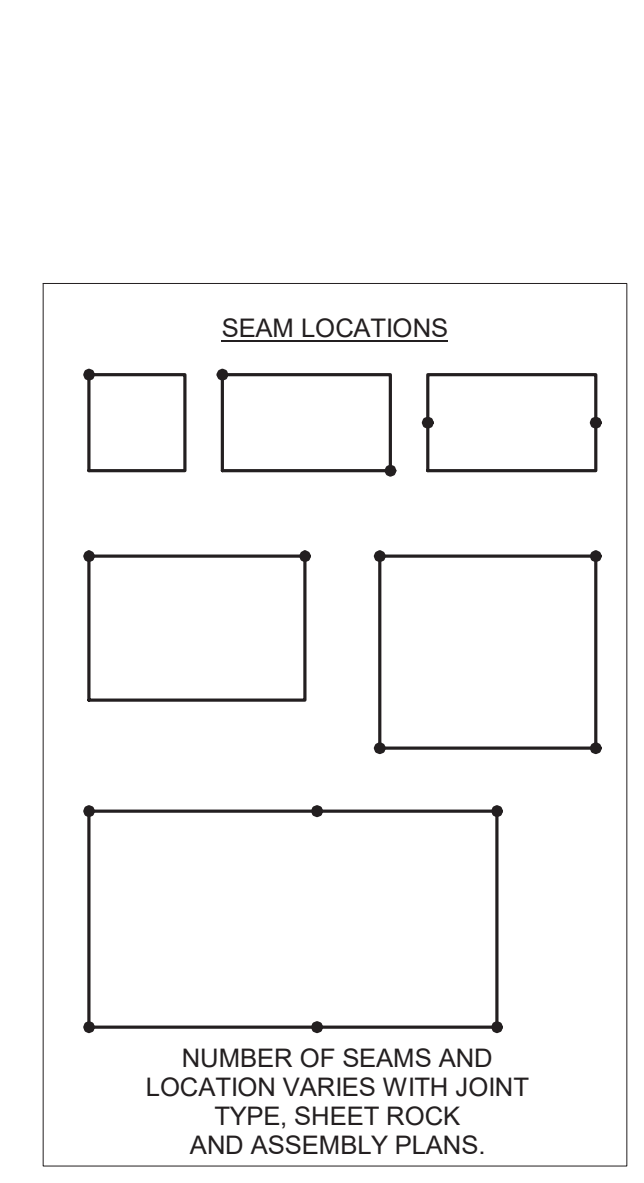
11/7/2025 3:55:08 PM



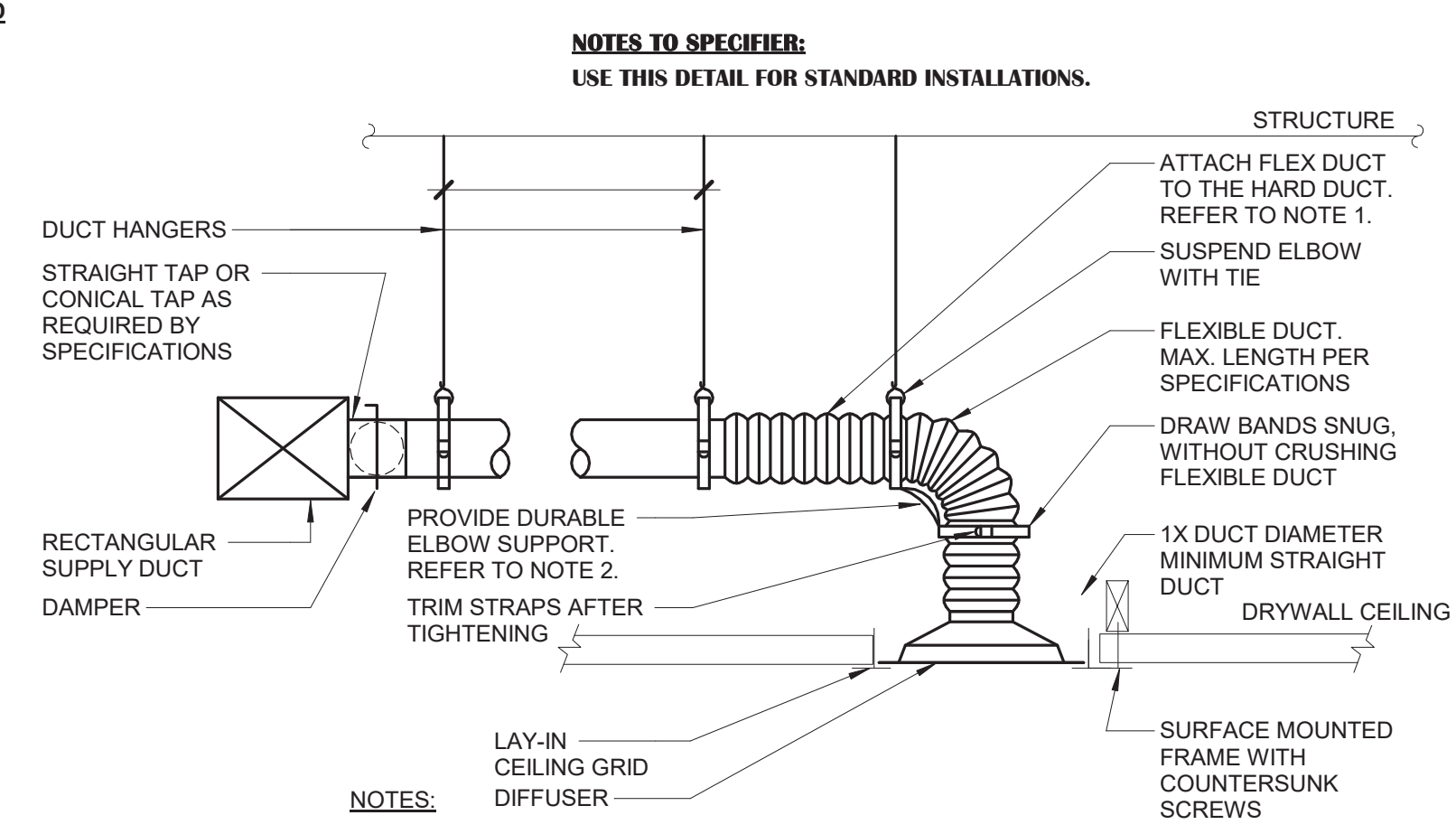
3 DUCT - BRANCH CONNECTIONS
NO SCALE



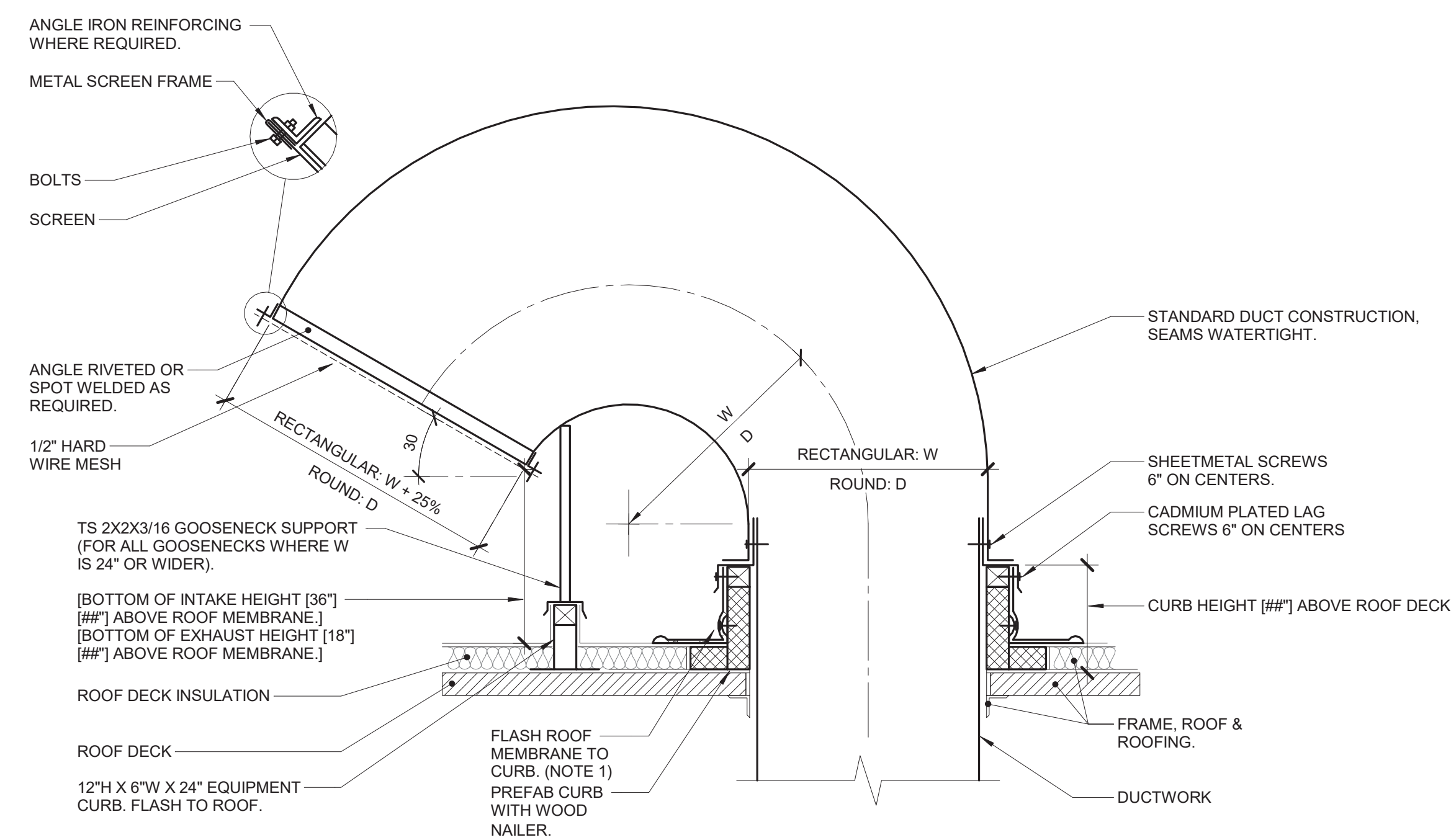
6 DUCT - TRANSVERSE REINFORCEMENT
NO SCALE



2 DUCT - LONGITUDINAL SEAMS
NO SCALE



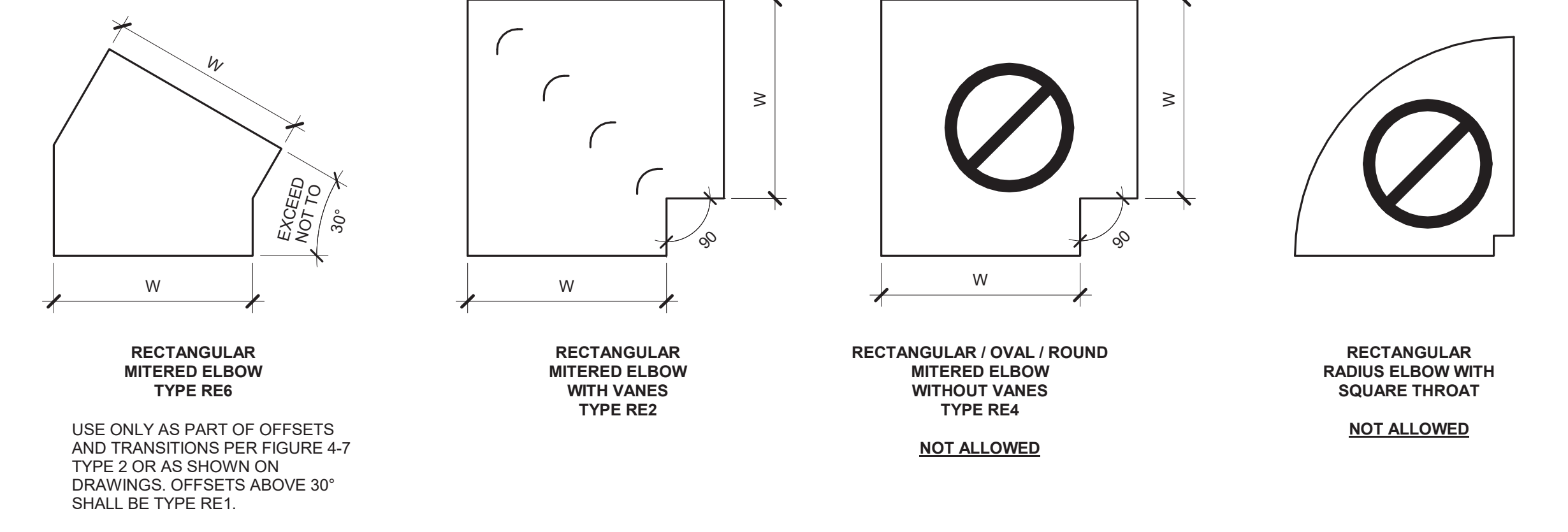
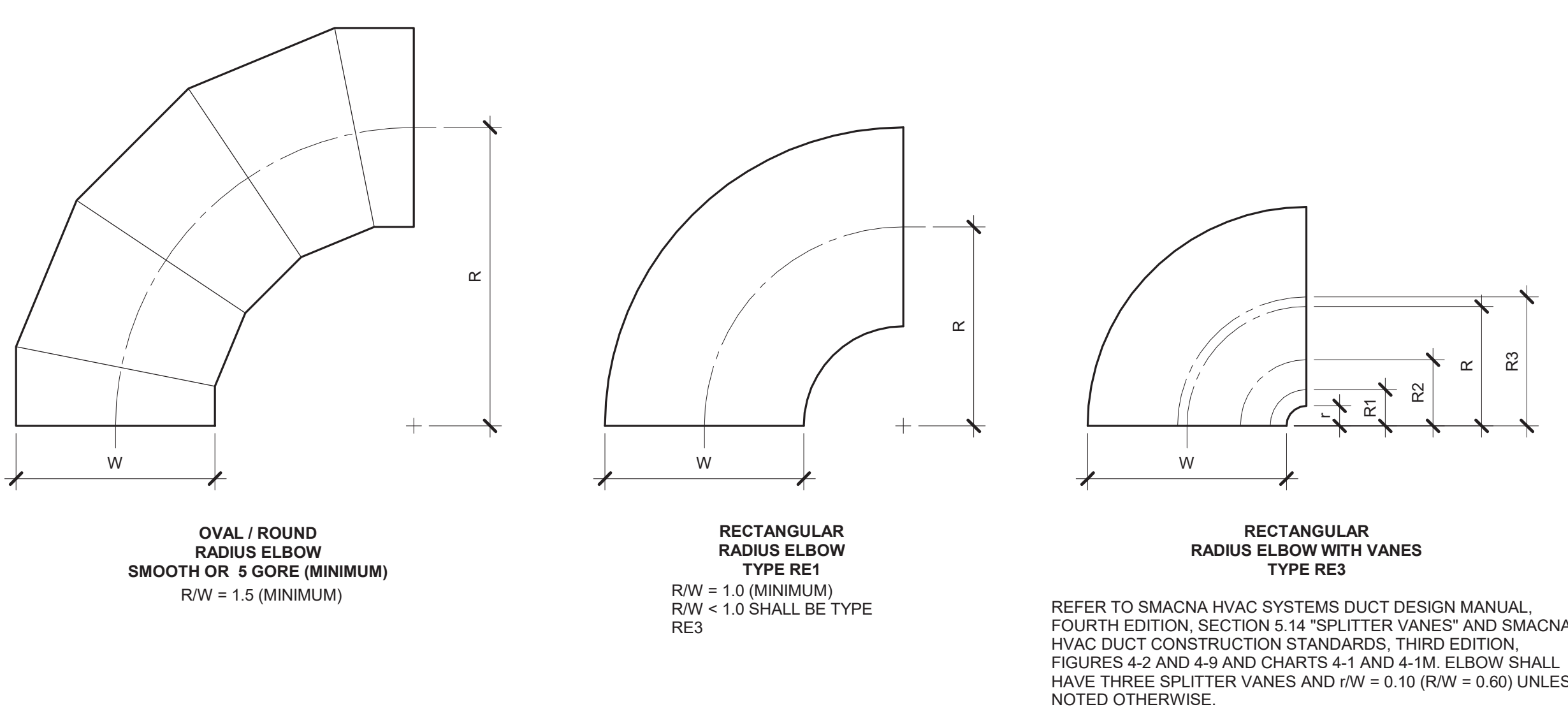
5 DIFFUSER CONNECTION DETAIL (W/ RADIUS FORMING ELBOW)
NO SCALE



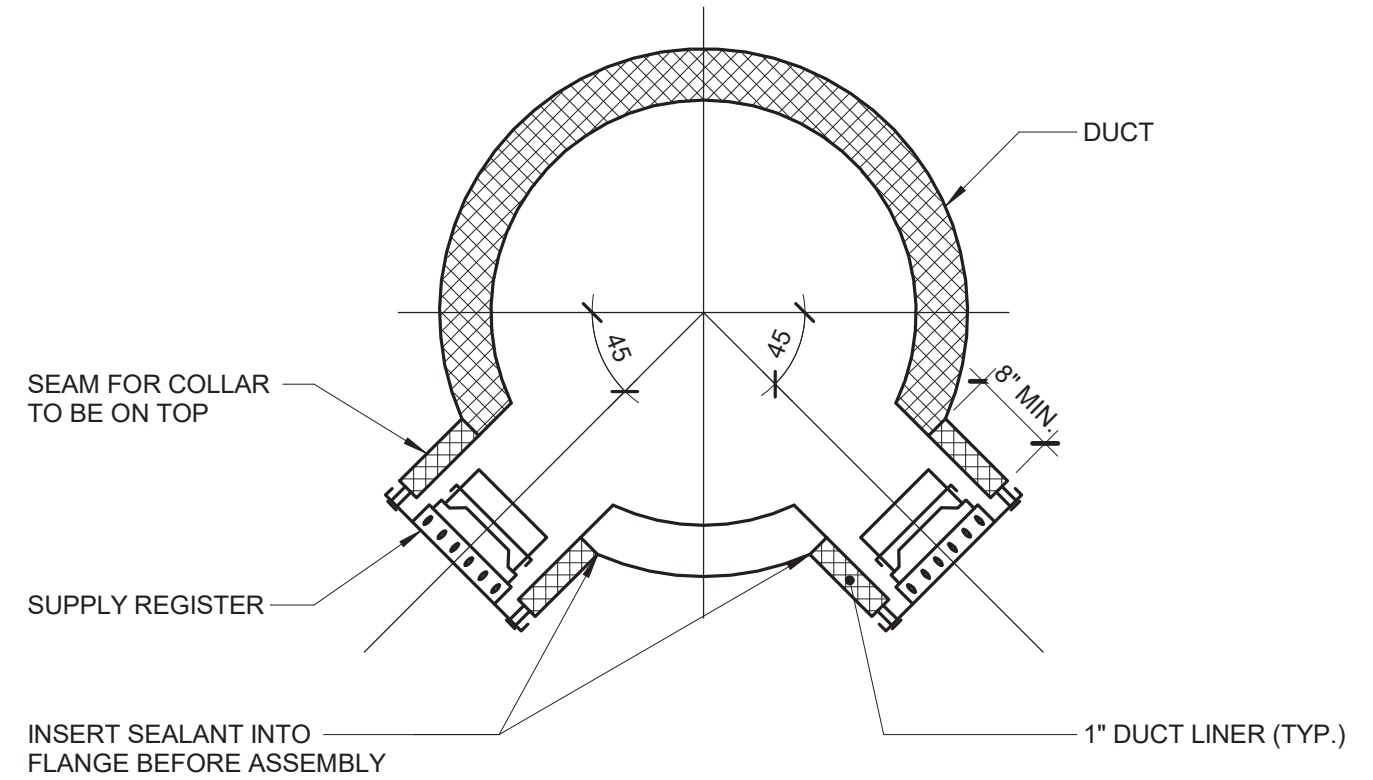
9 ROOF PENETRATION - GOOSENECK DUCT
NO SCALE

IMEG
100 GLASS STREET
DALLAS, TX 75207
P: 214.752.8008 F: 214.752.8771
www.imegcorp.com
IMEG RESERVES PROPRIETARY RIGHTS, INCLUDING COPYRIGHTS, TO THIS DRAWING AND THE DATA SHOWN THEREON. SAID DRAWING AND/OR DATA ARE THE EXCLUSIVE PROPERTY OF IMEG AND SHALL NOT BE USED OR REPRODUCED FOR ANY OTHER PROJECT WITHOUT THE EXPRESS WRITTEN APPROVAL AND PARTICIPATION OF IMEG. ©2022 IMEG CORP. ALL RIGHTS RESERVED.

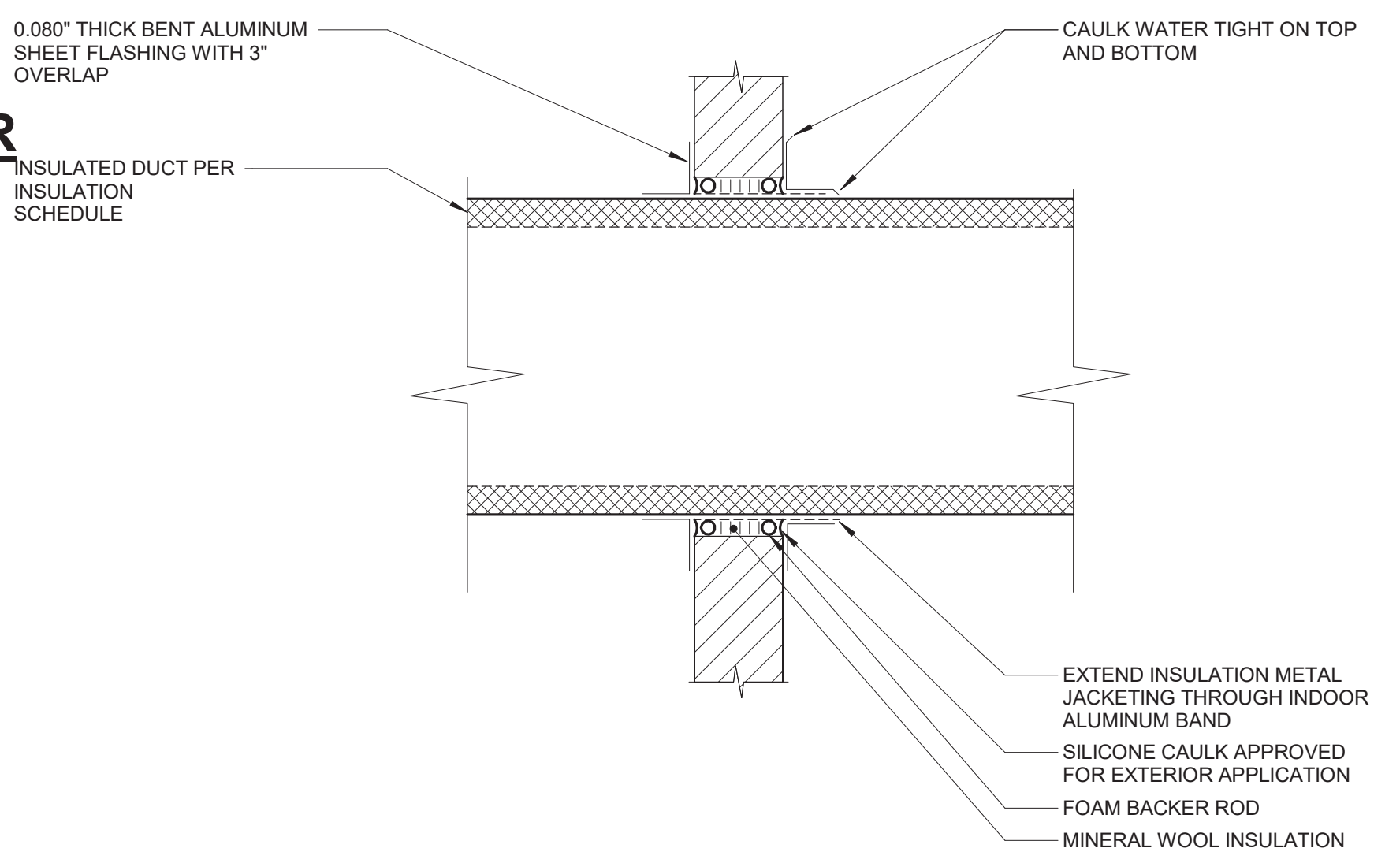
Scale: 1" = 8" INCHES
PROJECT #20240917.00



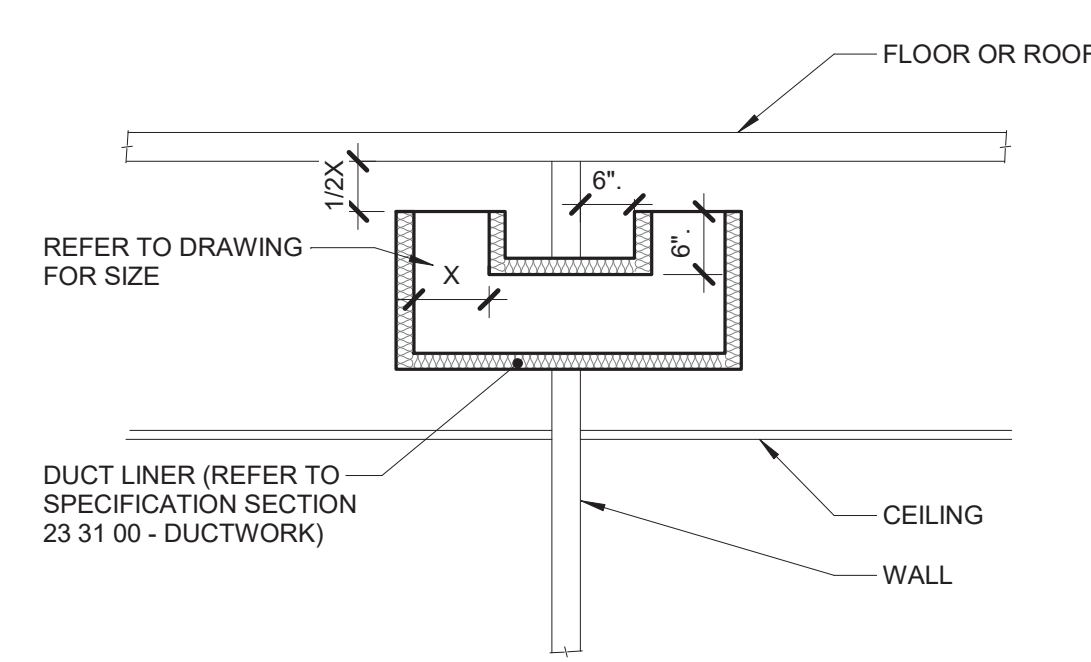
1 DUCT - ELBOW CONSTRUCTION
NO SCALE



4 AIR TERMINAL - SUPPLY REGISTER ROUND W/ COLLAR
NO SCALE



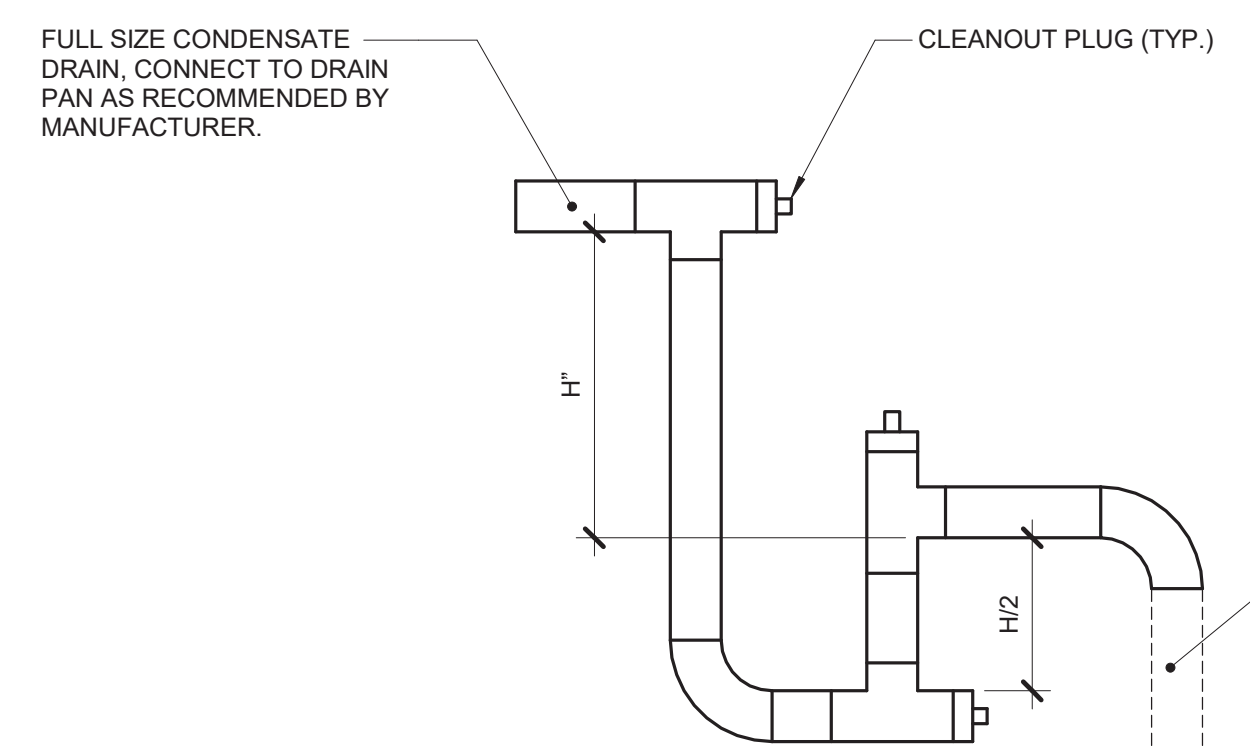
8 WALL PENETRATION - EXTERIOR - DUCT
NO SCALE



7 TRANSFER DUCT - ELBOW ENDS
NO SCALE

E
D
C
B
A

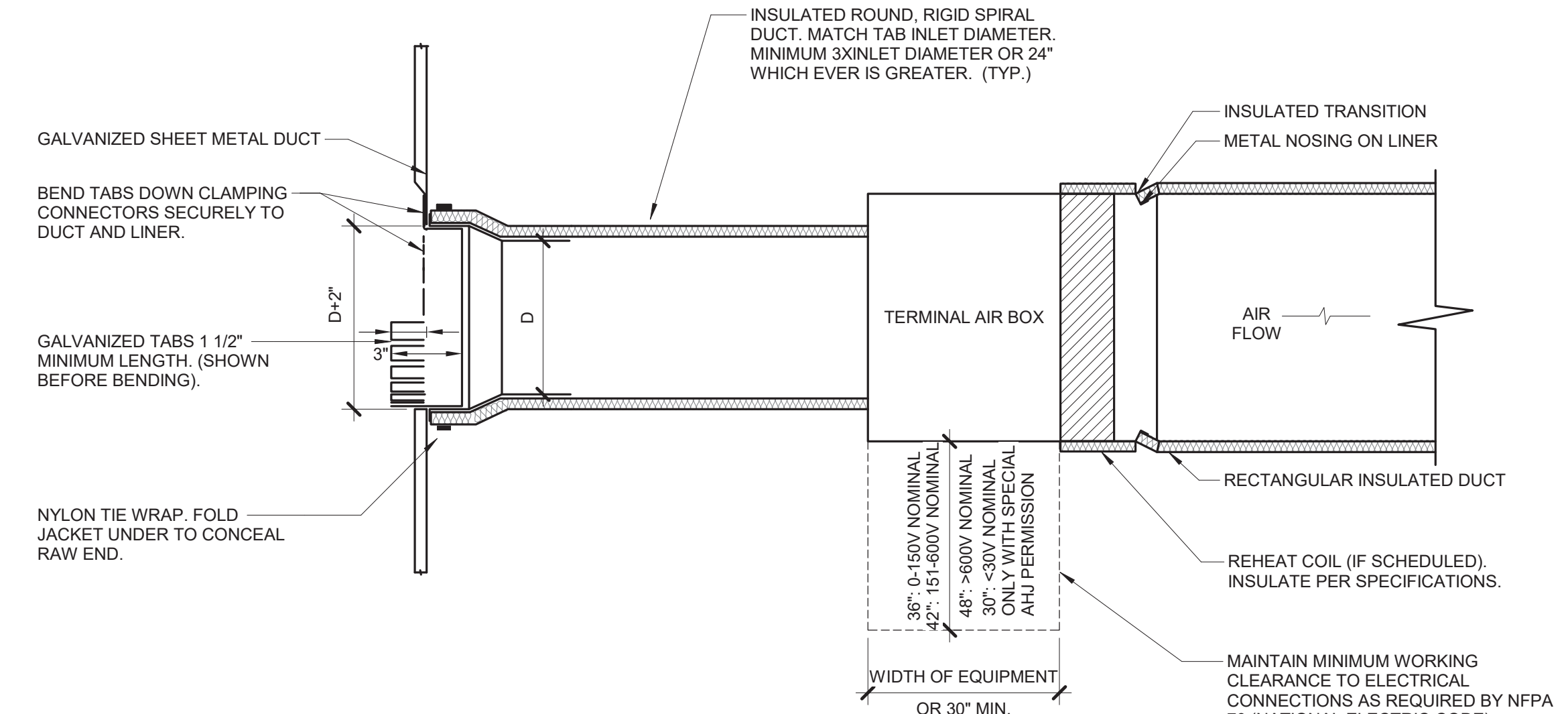
11/7/2025 3:55:08 PM



3 CONDENSATE TRAP - DRAW THROUGH COIL
NO SCALE

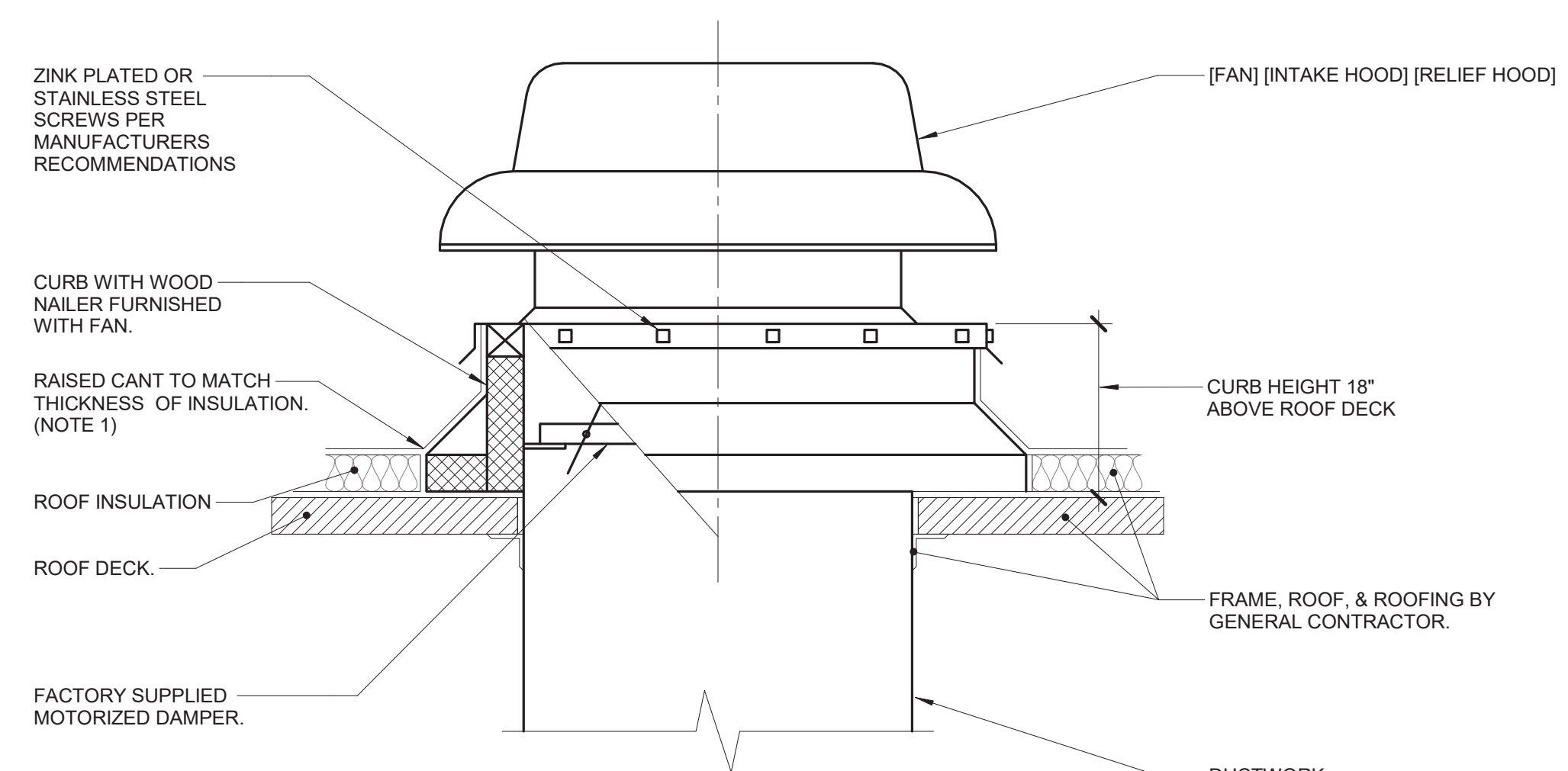
NOTES TO SPECIFIER:
FOR DRAW-THROUGH SYSTEMS, DIMENSION FOR EVERY UNIT. H = FAN OUTLET PRESSURE (IN W.C.) + 1 INCH. (2" MIN.)

EXAMPLE: (RTU)
H = FAN INLET PRESSURE (INCHES W.C.)
RA EXTERNAL = 0.64"
(DO NOT INCLUDE THIS VALUE FOR UNITS WITH RETURN FANS)
UPSTREAM OF FAN INTERNAL = 0.11
FILTERS (DIRTY) = 0.9
TOTAL = 1.65
H = 1.65' + 1" = 2.65'
H = 3'
H/2 = 1.5'
H/2 = 2'



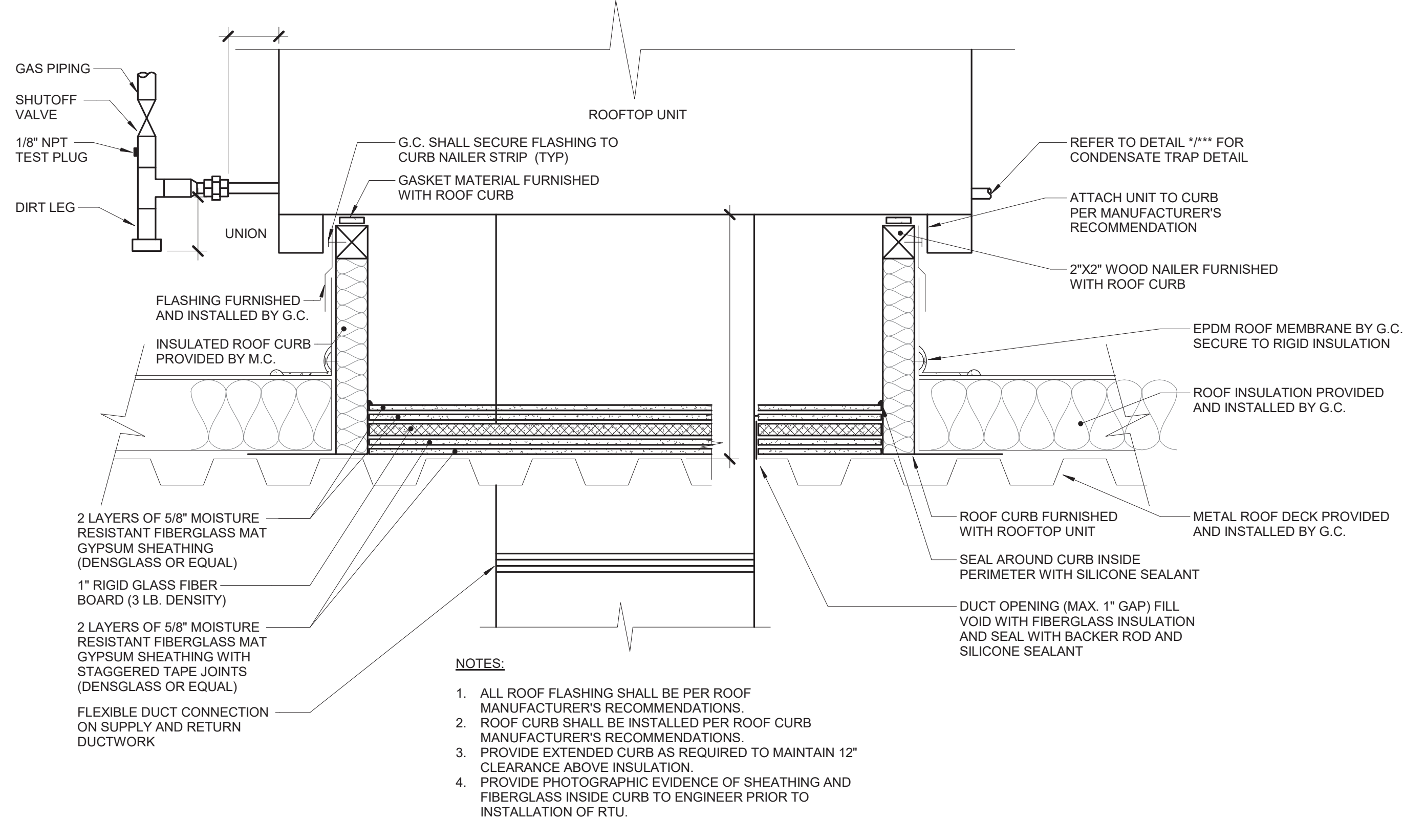
2 TERMINAL AIR BOX - SINGLE DUCT - LINED W/O FLEX
NO SCALE

NOTES:
1. THIS DETAIL APPLIES ONLY TO TAPS OFF LINED DUCTS.
2. THIS DETAIL APPLIES TO TERMINAL AIR BOXES WITH ROUND INLETS AND RECTANGULAR OUTLETS.
3. DUCT LEADING TO TAB INLET MUST BE STRAIGHT FOR 3.0 DIAMETERS UPSTREAM.



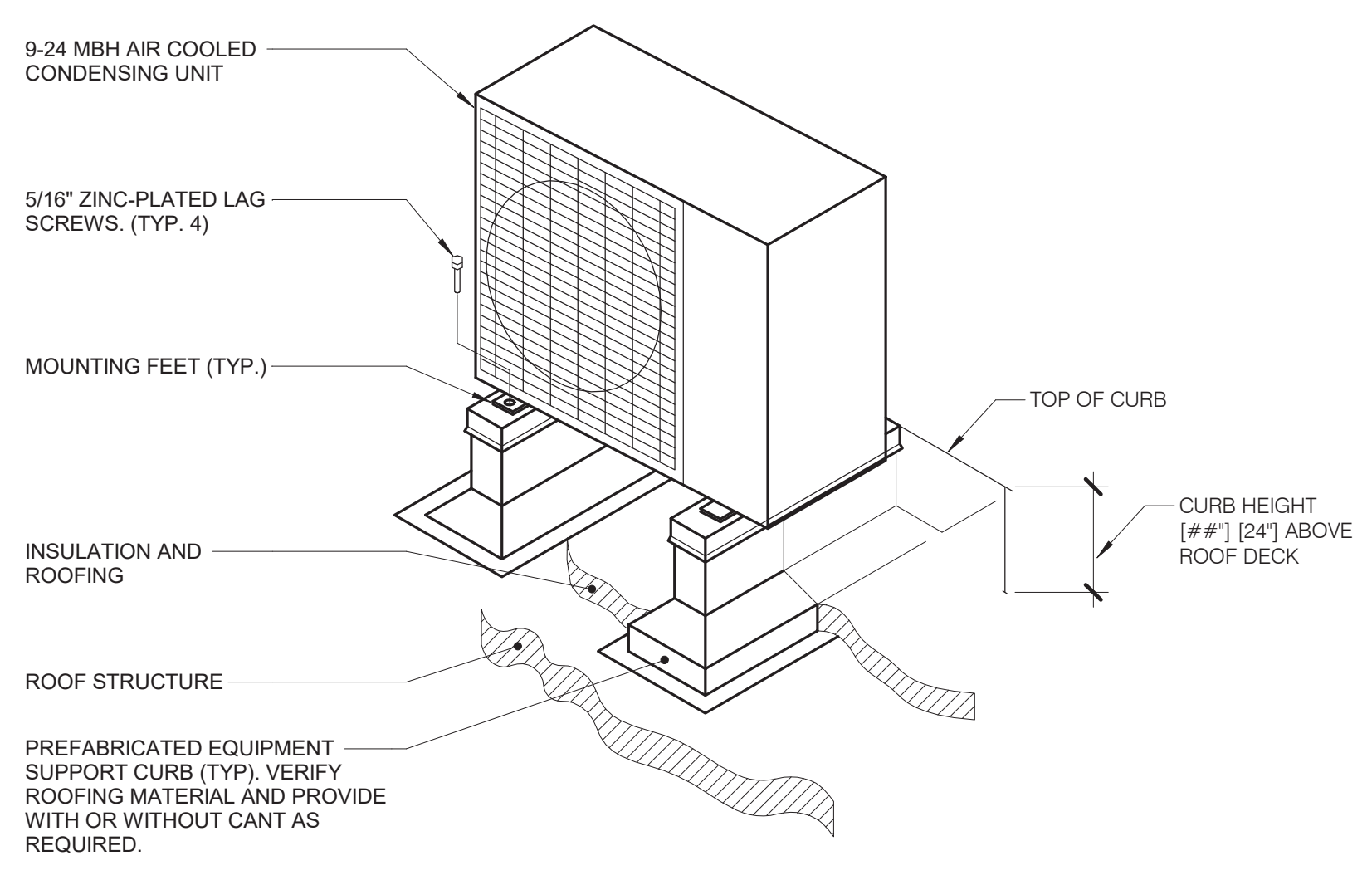
1 ROOF FAN/HOOD CURB
NO SCALE

NOTES:
1. ALL ROOF FLASHING SHALL BE PER ROOFING MANUFACTURERS RECOMMENDATIONS.



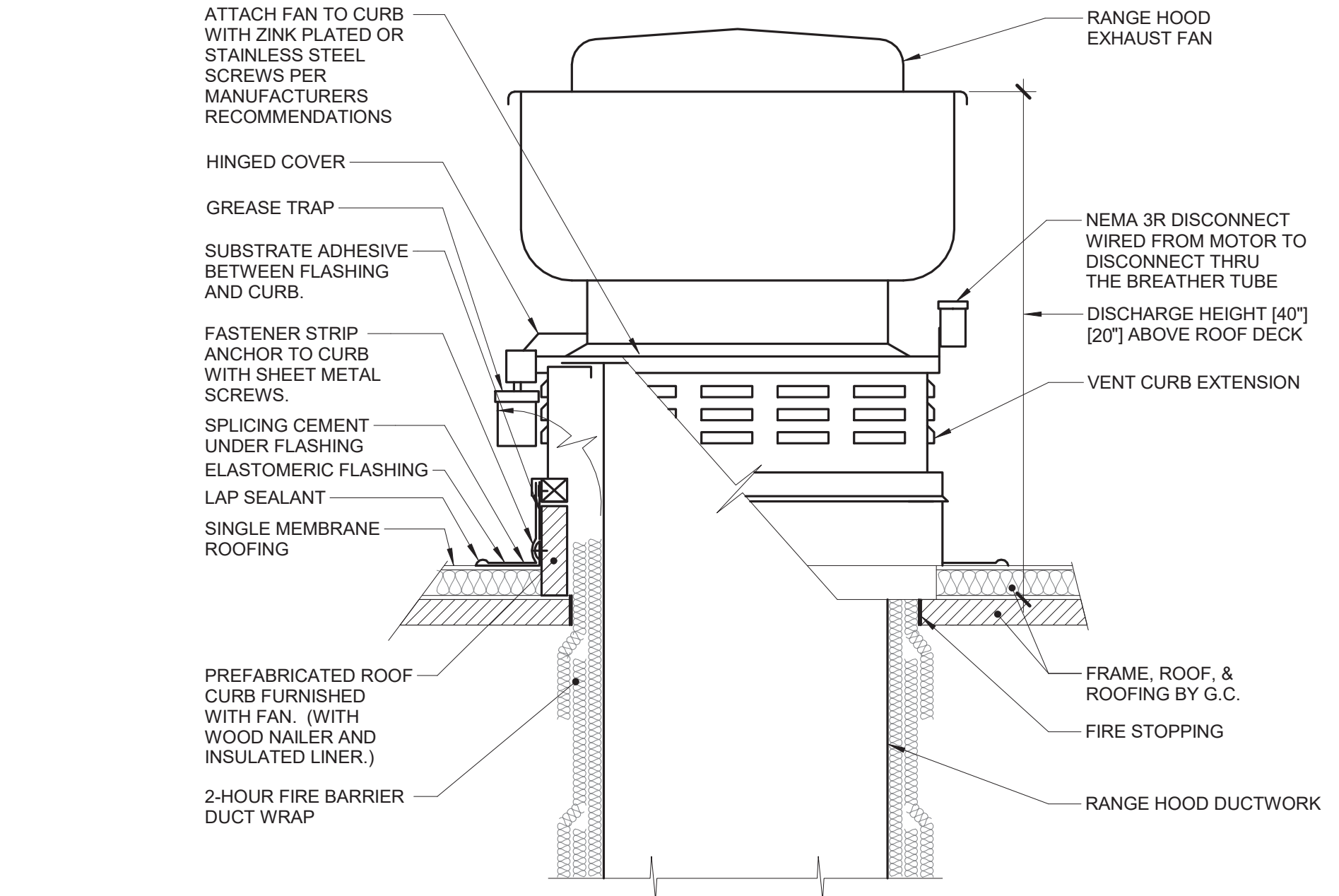
NOTES:
1. ALL ROOF FLASHING SHALL BE PER ROOFING MANUFACTURERS RECOMMENDATIONS.
2. ROOF CURB SHALL BE INSTALLED PER ROOF CURB MANUFACTURERS RECOMMENDATIONS.
3. PROVIDE EXTENDED CURB AS REQUIRED TO MAINTAIN 12" CLEARANCE ABOVE INSULATION.
4. PROVIDE PHOTOGRAPHIC EVIDENCE OF SHEATHING AND FIBERGLASS INSIDE CURB TO ENGINEER PRIOR TO INSTALLATION OF RTU.

4 ROOF TOP UNIT CURB
NO SCALE



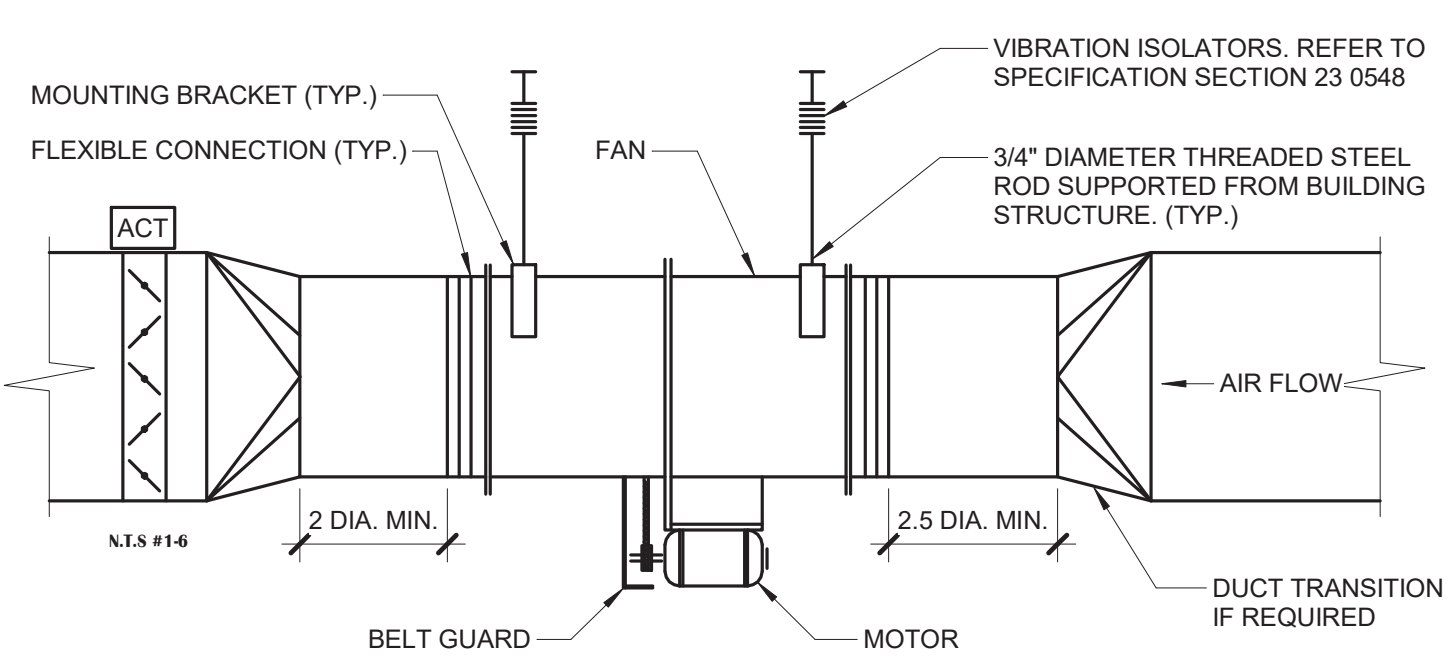
NOTES:
1. VERIFY DIAMETER OF ANCHOR BOLT REQUIRED TO FIT WITHIN MOUNTING FEET ANCHOR HOLES.

6 ROOF SUPPORT - EQUIPMENT RAIL
NO SCALE



NOTES:
1. ALL ROOF FLASHING SHALL BE PER ROOFING MANUFACTURERS RECOMMENDATIONS.

5 FAN - KITCHEN GREASE EXHAUST FAN
NO SCALE



7 FAN - IN-LINE EXHAUST
NO SCALE

IMEG
100 GLASS STREET
DALLAS, TX 75207
P: 214.752.8008 F: 214.752.8771
www.imegcorp.com
IMEG RESERVES PROPRIETARY RIGHTS, INCLUDING COPYRIGHTS, TO THIS DRAWING AND THE DATA SHOWN THEREON. SAID DRAWING AND/OR DATA ARE THE EXCLUSIVE PROPERTY OF IMEG AND SHALL NOT BE REPRODUCED OR REPRODUCED FOR ANY OTHER PROJECT WITHOUT THE EXPRESS WRITTEN APPROVAL AND PARTICIPATION OF IMEG. ©2022 IMEG CONSULTANTS CORP.
Texas Firm Registration #7-24282
REF. SCALE IN INCHES: 0 1 2 3
PROJECT #20200497.00

11/7/2025 3:55:11 PM

BY ACCEPTING THIS MATERIAL, THE RECIPIENT ACKNOWLEDGES AND AGREES THAT THE INFORMATION CONTAINED HEREIN IS CONFIDENTIAL AND SHALL NOT BE DISCLOSED, DISTRIBUTED, OR OTHERWISE TRANSMITTED IN ANY WAY WITHOUT THE EXPRESS WRITTEN CONSENT OF LIFE TIME, INC. OR ITS SUBSIDIARIES (LTI). THIS MATERIAL AND INFORMATION REMAINS THE SOLE PROPERTY OF LTI AND LTI RESERVES THE RIGHT TO REQUIRE ITS RETURN AT ANY TIME. THE RECIPIENT AGREES TO DEFEND AND INDEMNIFY LTI FROM ANY DAMAGES OR LOSSES ARISING OUT OF THE UNAUTHORIZED USE OR DISCLOSURE OF THE INFORMATION.

I HEREBY CERTIFY THAT THIS PLAN, SPECIFICATION, OR REPORT WAS PREPARED BY ME OR UNDER MY DIRECT SUPERVISION AND THAT I AM A DULY REGISTERED ARCHITECT UNDER THE LAWS OF THE STATE OF

NAME REG. NO.

EXP DATE:

STAMP



11.07.25
Kyle Wilson

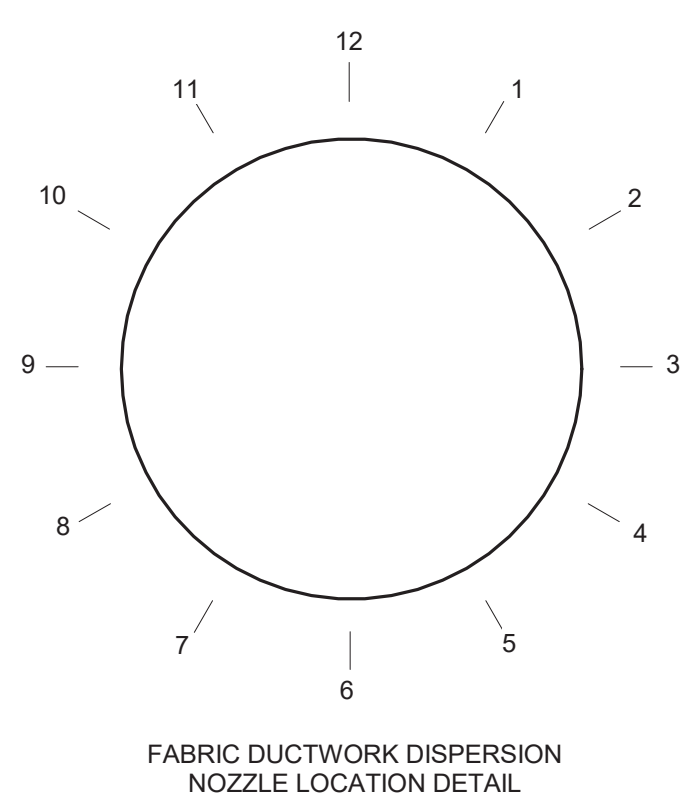
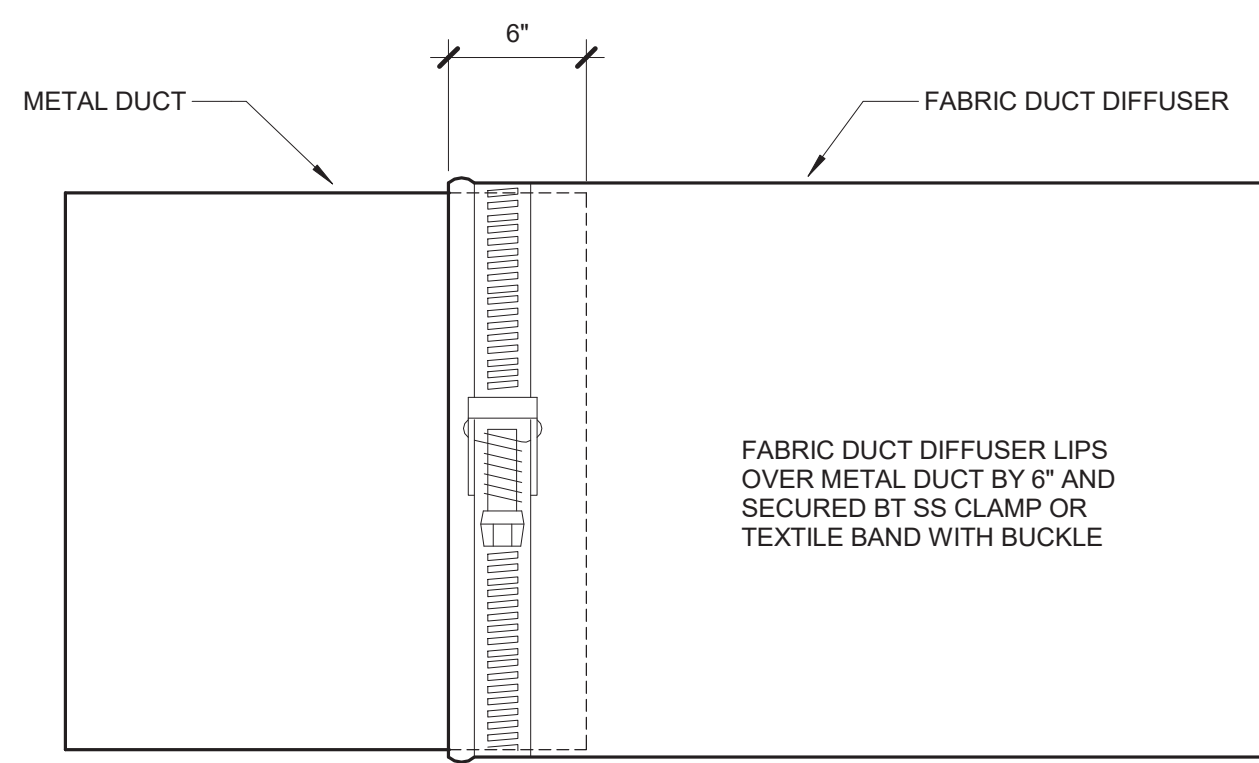
ISSUE DATE: 11/07/2025

SHEET NO.

M402

PUBLICATIONS PERMIT SET

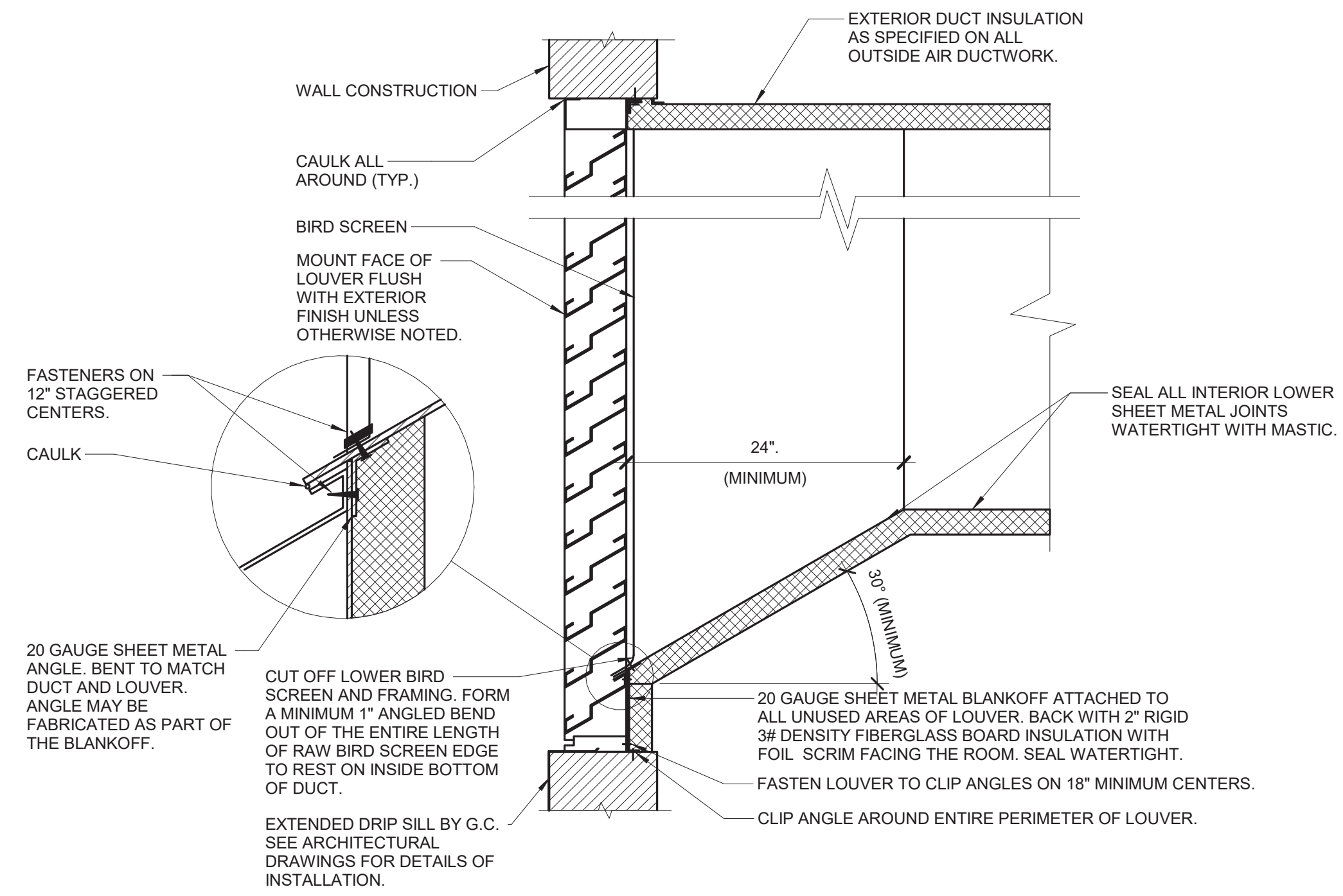
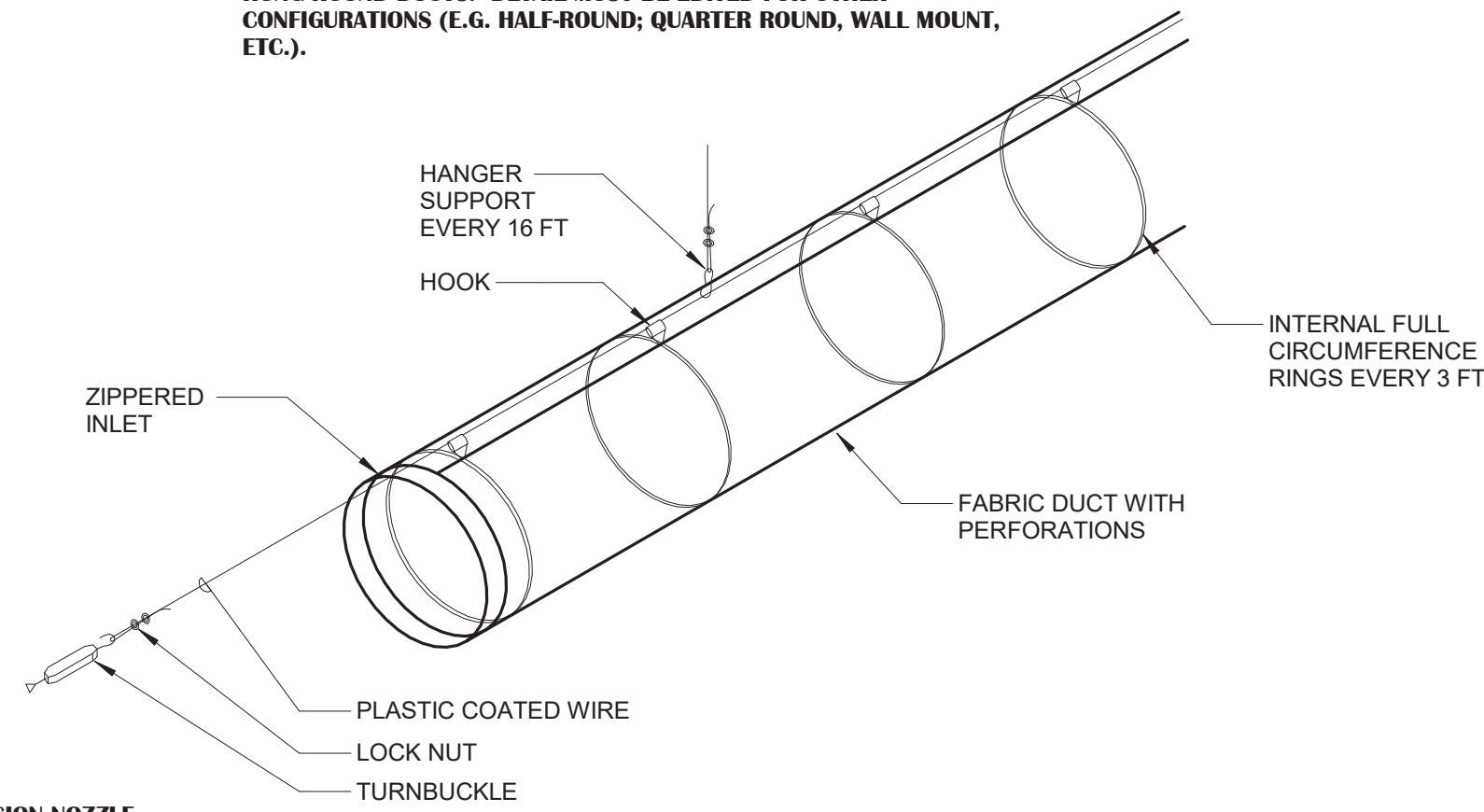
HVAC DETAILS



1 DUCT - FABRIC INLET CONNECTION DETAIL

NO SCALE

NOTES TO SPECIFIER:
SUPPORT DETAIL SHOWN BELOW IS AN EXAMPLE FOR STANDARD CENTER HUNG ROUND DUCTS. DETAIL MUST BE EDITED FOR OTHER CONFIGURATIONS (E.G. HALF-ROUND, QUARTER ROUND, WALL MOUNT, ETC.).



NOTES:

1. SEAL ALL JOINTS ON BOTTOM INTERIOR SURFACE OF DUCT WITHIN 6'-0" OF THE LOUVER WATER TIGHT.
2. MOUNT BOTTOM OF INTAKE LOUVERS AT LEAST 40" ABOVE GRADE OR ROOF ELEVATION TO MINIMIZE CHANGES OF SNOW DRIFTING INTO THE LOUVER.
3. CAULK SHEETMETAL SCREWS WHERE THEY PENETRATE METAL.

2 LOUVER INSTALLATION

12" = 1'-0"

IMEG
100 GLASS STREET
DALLAS, TX 75207
P: 214.752.8008 F: 214.752.8771
www.imegcorp.com

IMEG RESERVES PROPRIETARY RIGHTS, INCLUDING COPYRIGHTS, TO THIS DRAWING AND THE DATA SHOWN THEREON. SAID DRAWING AND/OR DATA ARE THE EXCLUSIVE PROPERTY OF IMEG AND SHALL NOT BE REPRODUCED OR REPRODUCED FOR ANY OTHER PROJECT WITHOUT THE EXPRESS WRITTEN APPROVAL AND PARTICIPATION OF IMEG. ©2022 IMEG CONSULTANTS CORP.
Texas Firm Registration #7-24262
REF. SCALE IN INCHES PROJECT #25004897.00

E
D
C
B
A

11/7/2025 3:55:12 PM

PACKAGED ROOFTOP UNIT SCHEDULE (SUMMARY) (RTU)

REFER TO "PACKAGED ROOFTOP UNIT COMPONENT SCHEDULES" FOR ADDITIONAL INFORMATION

NOTES:
1. OPERATING WEIGHT INCLUDES UNIT, CURB, ACCESSORIES AND UNIT MOUNTED POWER EXHAUST. DUCT MOUNTED ACCESSORIES AND EQUIPMENT ARE NOT INCLUDED. CONTRACTOR IS RESPONSIBLE FOR ALL CHANGES REQUIRED DUE TO ROOFTOP UNIT HEAVIER THAN THE BASIS OF DESIGN AT NO ADDITIONAL COST.

TAG NAME	ALTTUDE	SERVICE	FAN 1			OUTSIDE AIR			FAN 2			REFRIGERATION			COIL 1			COIL 2			FILTER 1		FILTER 2		ELECTRICAL				CONTROL		CURB		MAXIMUM DIMENSIONS			WEIGHT [LB]	MANUFACTURER	MODEL	NOTES
			CFM	DESIGN	MAX OA	MIN OA	DC VOA	CFM	DESIGN	MAX OA	MIN OA	DC VOA	CFM	TYPE	CHARGE LBS	SERVICE	SERVICE	SERVICE	VOLTS	PH	FLA	MCA	MOCPP	BY [A]	TYPE [B]	BY [A]	TYPE [C]	SCCR	TYPE [H]	DIAGRAM	SMOKE SHUTOFF	TYPE / BY [G]	HEIGHT	LENGTH	WIDTH				
MAU-1	500	SUPPLY	2,600	2,600	2,600	2,600	2,600	2,600	2,600	2,600	2,600	R-454B	4.13	COOLING	HEATING	MERV 4	460	3	11.6	19.7	20	MFR	NF	MFR	VFD	10,000			YES			8'-11 3/4"	6'-8 3/4"	6'-9"	1,975	LENNOX	CAS-HVAC2-1.300-18-8T-MPU		
RTU-1	500	SUPPLY	6,620	3,775	3,775	2,380	2,380	2,380	2,380	2,380	2,380	R-454B	23.7	COOLING	HEATING	MERV 4	460	3	43.2	45	50	MFR	NF	MFR	ECM	5,000					38"	11'-0 159/256"	7'-7 31/256"	4'-6 1/4"	4,270	LENNOX	LG2120H5M		
RTU-2	500	SUPPLY	8,920	5,395	5,395	1,575	1,575	1,575	1,575	1,575	1,575	R-454B	23.6	COOLING	HEATING	MERV 4	460	3	59.6	62	70	MFR	NF	MFR	ECM	5,000					38"	11'-0 159/256"	7'-7 31/256"	4'-6 1/4"	4,270	LENNOX	LG2120H5M		
RTU-3	500	SUPPLY	8,920	5,395	5,395	1,575	1,575	1,575	1,575	1,575	1,575	R-454B	23.6	COOLING	HEATING	MERV 4	460	3	59.6	62	70	MFR	NF	MFR	ECM	5,000					38"	11'-0 159/256"	7'-7 31/256"	4'-6 1/4"	4,270	LENNOX	LG2120H5M		
RTU-4	500	SUPPLY	8,920	5,395	5,395	1,575	1,575	1,575	1,575	1,575	1,575	R-454B	23.6	COOLING	HEATING	MERV 4	460	3	59.6	62	70	MFR	NF	MFR	ECM	5,000					38"	11'-0 159/256"	7'-7 31/256"	4'-6 1/4"	4,270	LENNOX	LG2120H5M		
RTU-5	500	SUPPLY	8,920	5,395	5,395	1,575	1,575	1,575	1,575	1,575	1,575	R-454B	23.6	COOLING	HEATING	MERV 4	460	3	59.6	62	70	MFR	NF	MFR	ECM	5,000					38"	11'-0 159/256"	7'-7 31/256"	4'-6 1/4"	4,270	LENNOX	LG2120H5M		
RTU-6	500	SUPPLY	1,650	1,130	1,130	275	275	275	275	275	275	R-454B	0	COOLING	HEATING	MERV 13	460	3	24.5	28	30	MFR	NF	MFR	ECM	10,000					20"	8'-6 3/8"	5'-3 3/16"	3'-11 5/16"	1,861	CAPTIVEAIRE	CAS-HVAC1-1 150-18-10T		
RTU-7	500	SUPPLY	3,080	1,400	1,400	0	0	0	0	0	0	R-454B	0	COOLING	HEATING	MERV 13	460	3	30.1	35	40	MFR	NF	MFR	ECM	10,000					20"	11'-0 111/16"	7'-3 3/4"	5'-8 1/4"	2,840	CAPTIVEAIRE	CAS-HVAC3-1.250-20-15T		
RTU-8	500	SUPPLY	1,255	725	725	255	255	255	255	255	255	R-454B	0	COOLING	HEATING	MERV 13	460	3	14.2	17.8	20	MFR	NF	MFR	ECM	10,000					20"	8'-5 3/8"	5'-3 3/16"	3'-11 5/16"	1,525	CAPTIVEAIRE	CAS-HVAC1-1.100-15-7.5T		
RTU-9	500	SUPPLY	2,110	1,270	1,270	330	330	330	330	330	330	R-454B	0	COOLING	HEATING	MERV 13	460	3	26	27.9	30	MFR	NF	MFR	ECM	10,000					20"	11'-0 111/16"	7'-3 3/4"	5'-8 1/4"	2,523	CAPTIVEAIRE	CAS-HVAC3-1.200-15-12.5T		
RTU-10	500	SUPPLY	1,800	0	0	0	0	0	0	0	0	R-454B	5.4	COOLING	HEATING	MERV 4	460	3	12.5	15	20	MFR	NF	MFR	ECM	5,000					20"	6'-10 1/4"	3'-11"	3'-10 225/256"	775	LENNOX	LG2048H5E		
RTU-11	500	SUPPLY	1,800	0	0	0	0	0	0	0	0	R-454B	5.4	COOLING	HEATING	MERV 4	460	3	11.2	15	20	MFR	NF	MFR	ECM	5,000					20"	6'-10 1/4"	3'-11"	3'-10 225/256"	775	LENNOX	LG2048H5E		
RTU-12	500	SUPPLY	1,800	0	0	0	0	0	0	0	0	R-454B	5.4	COOLING	HEATING	MERV 4	460	3	11.2	15	20	MFR	NF	MFR	ECM	5,000					20"	6'-10 1/4"	3'-11"	3'-10 225/256"	775	LENNOX	LG2048H5E		
RTU-13	500	SUPPLY	2,400	900	210	0	0	0	0	0	0	R-454B	4.8	COOLING	HEATING	MERV 4	460	3	14.1	17	25	MFR	NF	MFR	ECM	5,000					20"	7'-1 1/4"	3'-11"	3'-10 225/256"	795	LENNOX	LG2072H5E		
RTU-14	500	SUPPLY	1,960	853	853	195	195	195	195	195	195	R-454B	4.8	COOLING	HEATING	MERV 4	460	3	14.1	17	25	MFR	NF	MFR	ECM	5,000					20"	7'-1 1/4"	3'-11"	3'-10 225/256"	795	LENNOX	LG2072H5E		
RTU-15	500	SUPPLY	4,000	1,255	1,255	345	345	345	345	345	345	R-454B	12.6	COOLING	HEATING	MERV 4	460	3	26.8	29	35	MFR	NF	MFR	ECM	5,000					20"	8'-5 1/4"	5'-0 31/256"	3'-10 225/256"	1,248	LENNOX	LG2048H5E		
RTU-16	500	SUPPLY	1,650	250	250	0	0	0	0	0	0	R-454B	4.13	COOLING	HEATING	MERV 4	460	3	12.9	15	20	MFR	NF	MFR	ECM	5,000					20"	7'-1 1/4"	3'-11"	3'-10 225/256"	692	LENNOX	LG2090H5E		
RTU-17	500	SUPPLY	1,650	325	325	0	0	0	0	0	0	R-454B	4.13	COOLING	HEATING	MERV 4	460	3	12.9	15	20	MFR	NF	MFR	ECM	5,000					20"	7'-1 1/4"	3'-11"	3'-10 225/256"	776	LENNOX	LG2090H5E		
RTU-18	500	SUPPLY	4,460	740	740	0	0	0	0	0	0	R-454B	12.6	COOLING	HEATING	MERV 4	460	3	26.8	29	35	MFR	NF	MFR	ECM	5,000					20"	8'-5 1/4"	5'-0 31/256"	3'-10 225/256"	1,405	LENNOX	LG2150H5E		
RTU-19	500	SUPPLY	12,045	1,650	545	0	0	0	0	0	0	R-454B	28.14	COOLING	HEATING	MERV 4	460	3	78	87	100	MFR	NF	MFR	ECM	5,000					12'-1"	7'-6 3/4"	5'-5"	3,788	LENNOX	LG2360H5M			
RTU-20	500	SUPPLY	1,525	218	218	0	0	0	0	0	0	R-454B	4.13	COOLING	HEATING	MERV 4	460	3	12.9	15	20	MFR	NF	MFR	ECM	5,000					20"	7'-1 1/4"	3'-11"	3'-10 225/256"	795	LENNOX	LG2090H5E		
RTU-21	500	SUPPLY	1,810	778	778	0	0	0	0	0	0	R-454B	4.13	COOLING	HEATING	MERV 4	460	3	10.3	13	20	MFR	NF	MFR	ECM	5,000					20"	7'-1 1/4"	3'-11"	3'-10 225/256"	795	LENNOX	LG2090H5E		
RTU-22	500	SUPPLY	3,035	1,538	1,538	180	180	180	180	180	180	R-454B	12.2	COOLING	HEATING	MERV 4	460	3	22.6	25	30	MFR	NF	MFR	ECM	5,000					20"	8'-5 1/4"	5'-0 31/256"	3'-10 225/256"	1,362	LENNOX	LG2120H5E		
RTU-23	500	SUPPLY	1,960	853	853	0	0	0	0	0	0	R-454B	4.8	COOLING	HEATING	MERV 4	460	3	14.1	17	25	MFR	NF	MFR	ECM	5,000					20"	7'-1 1/4"	3'-11"	3'-10 225/256"	795	LENNOX	LG2072H5E		
RTU-24	500	SUPPLY	5,155	1,607	1,607	0	0	0	0	0	0	R-454B	23.7	COOLING	HEATING	MERV 4	460	3	41.2	44	50	MFR	NF	MFR	ECM	5,000					20"	11'-0 159/256"	7'-7 31/256"	4'-6 1/4"	2,896	LENNOX	LG210H5M		
RTU-25	500	SUPPLY	1,600	195	195	0	0	0	0	0	0	R-454B	5.4	COOLING	HEATING	MERV 4	460	3	12.5	15	20	MFR	NF	MFR	ECM	5,000					0	7'-1 1/4"	3'-11"	3'-10 225/256"	775	LENNOX	LG2048H5E		

PACKAGED ROOFTOP UNIT COMPONENT SCHEDULE - COILS

REFER TO "PACKAGED ROOFTOP UNIT SCHEDULE (SUMMARY)" FOR ADDITIONAL INFORMATION

TAG NAME	SUMMER	WINTER	COIL 1												COIL 2												COIL 3											
			DRY BULB	WET BULB	TYPE	REFGT	TOTAL	SENSIBLE	IN. W.C.	A.P.D.	DB °F	WB °F	DB °F	WB °F	SERVICE	TYPE	A.P.D.	DB °F	WB °F	IN. W.C.	MBH	OUTPUT	MIN EFF%	INLET PSIG	NO. OF STAGES	SERVICE	MBH	A.P.D.	DB °F	WB °F	SERVICE	MBH	A.P.D.	DB °F	WB °F			
MAU-1	95.4	-9.8	COOLING	DX COIL	R-454B	71.3	40.3	0.07	88.8	74.8	64.8	62.2	HEATING	GAS HEAT	0	12.6	79.9	150	121	81	0.5	2	2	2	NONE	0	0	0	0	0	0	0	0	0	0			
RTU-1	95.4	-9.8	COOLING	DX COIL	R-454B	219.6	149.9	0.09	77.6	65.4	61	58.9	HEATING	GAS HEAT	0.08	58	87.5	260	211	81	7	2	2	2	HOT GAS REHEAT	33.9	0.04	61	80.1	0	0	0	0	0	0	0		
RTU-2	95.4	-9.8	COOLING	DX COIL	R-454B	287.1	202	0.16	77.7	65.6	61.5	59.7	HEATING	GAS HEAT	0.23	57.1	87.4	360	292	81	7	2	2	2	HOT GAS REHEAT	52.5	0.06	61.5	80.8	0	0	0	0	0	0	0	0	
RTU-3	95.4	-9.8	COOLING	DX COIL	R-454B	287.1	202	0.16	77.7	65.6	61.5	59.7	HEATING	GAS HEAT	0.23	57.1	87.4	360	292	81	7	2	2	2	HOT GAS REHEAT	52.5	0.06	61.5	80.8	0	0	0	0	0	0	0	0	0
RTU-4	95.4	-9.8	COOLING	DX COIL	R-454B	287.1	202	0.16	77.7	65.6	61.5	59.7	HEATING	GAS HEAT	0.23	57.1	87.4	360	292	81	7	2	2	2	HOT GAS REHEAT	52.5	0.06	61.5	80.8	0	0	0	0	0	0	0	0	0
RTU-5	95.4	-9.8	COOLING	DX COIL	R-454B	287.1	202	0.16	77.7	65.6	61.5	59.7	HEATING	GAS HEAT</																								

