

PROJECT TYPE

DRAWINGS/SPECIFICATIONS BY:
 WALGREENS' CONSULTANT LANDLORD'S CONSULTANT

ALL CONSTRUCTION WORK, UNLESS NOTED OTHERWISE, BY:
 WALGREENS' CONTRACTOR LANDLORD'S CONTRACTOR (TURNKEY CONSTRUCTION)

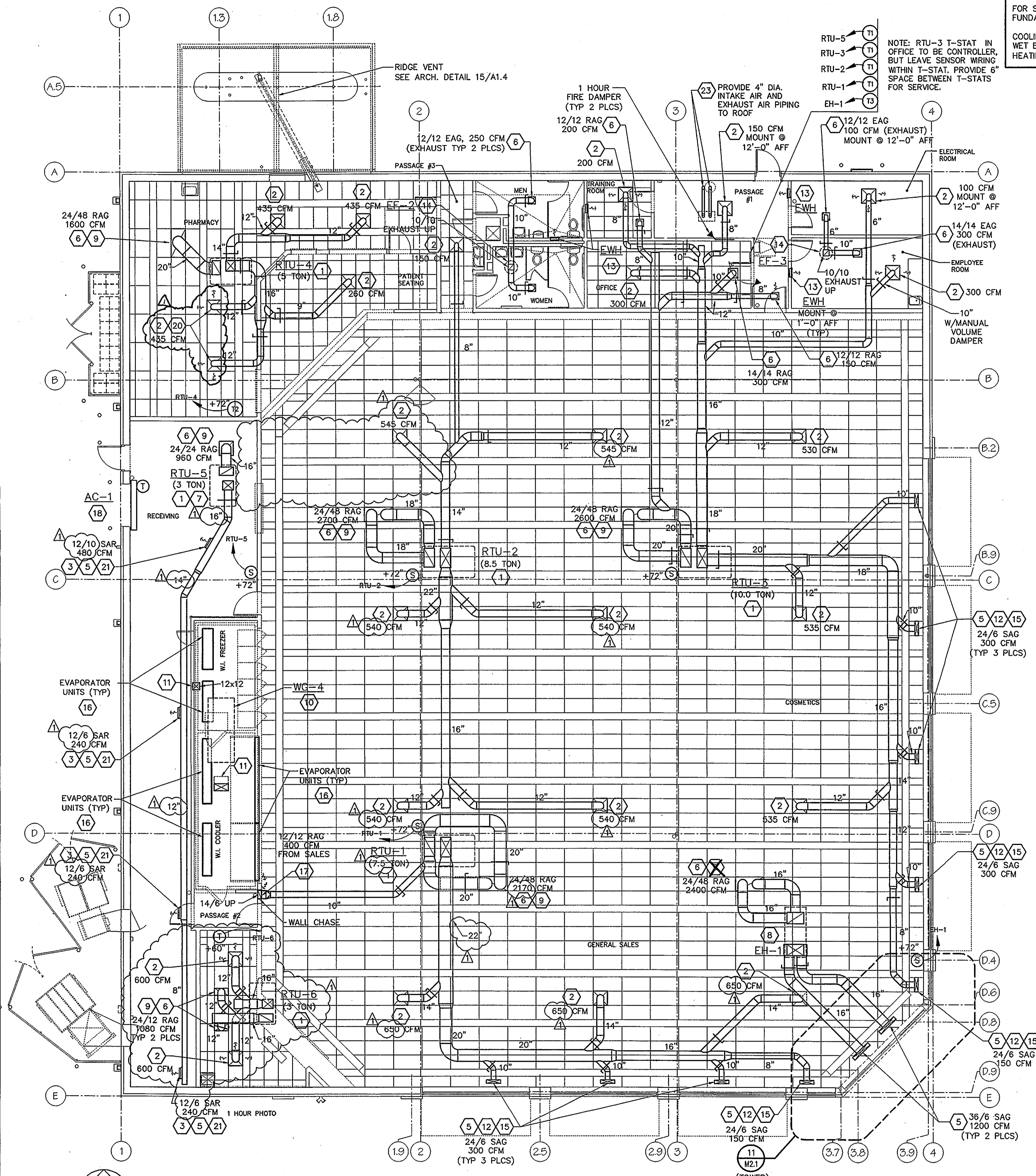
STORE	BUILDING
NEW.....	<input checked="" type="checkbox"/>
REMODELING....	<input type="checkbox"/>
RELOCATION....	<input type="checkbox"/>
OTHERS.....	<input type="checkbox"/>
	NEW..... <input checked="" type="checkbox"/>
	EXISTING..... <input type="checkbox"/>
	NEW SHELL ONLY <input type="checkbox"/>

DESIGN CRITERIA SHOWN

FOR SPRINGFIELD, MISSOURI FROM 2001 ASHRAE FUNDAMENTALS HANDBOOK.

COOLING (1%): 92°F DRY BULB / 74°F MEAN COINCIDENT WET BULB.
HEATING (99%): 9°F DRY BULB.

- NOTES**
- ALL WORK SHALL BE PERFORMED IN ACCORDANCE WITH APPLICABLE LOCAL, STATE, AND NATIONAL CODES.
 - SEE ALL OTHER DRAWINGS AND SPECIFICATIONS FOR ADDITIONAL WORK OR CLARIFICATION OF NECESSARY WORK.
 - OUTSIDE AIR INTAKES SHALL BE LOCATED A MINIMUM OF 15'-0" AWAY FROM ANY EXHAUST DISCHARGE, PLUMBING VENT, ETC.
 - HVAC ROOFTOP UNIT INSTALLATION SHALL INCLUDE FLEX DUCT CONNECTIONS. OUTSIDE AIR INTAKE SHALL BE SIZED FOR A MINIMUM OF 100% OUTSIDE AIR FOR ECONOMIZER SYSTEMS.
 - ALL DUCTWORK TO BE GALVANIZED SHEET METAL (LINED DUCTWORK SHALL NOT BE ACCEPTED).
 - EACH HVAC UNIT SHALL HAVE SEPARATE CONTROLS. REFER TO DRAWING M2.2 FOR HVAC CONTROL WIRING DIAGRAMS.
 - DO NOT INSTALL EQUIPMENT, DUCTWORK, PIPE, CONDUIT, ETC. AT ROOF HATCH LADDER AREA.
 - PROVIDE AIR INTAKE AND EXHAUST THRU ROOF FOR GAS FIRED WATER HEATER (IF APPLICABLE). REFER TO DETAILS 3/P.2.1 AND 8/P.2.1.
 - HVAC UNITS MUST BE INSTALLED LEVEL ON ROOF.
 - THERMOSTAT SENSOR WIRING TO BE ROUTED INSIDE PIPE COLUMNS.
 - DO NOT INSTALL SUPPLY AIR DIFFUSERS IN CEILING PANEL ADJACENT TO ROW OF LIGHT FIXTURES. COORDINATE DIFFUSERS WITH REFLECTED CEILING PLAN ON ARCHITECTURAL DRAWING.
 - FLEXIBLE DUCT LENGTH SHALL NOT EXCEED 7'-0". USE ONLY ON FINAL SUPPLY AIR RUN FROM BRANCH LINE TO SUPPLY AIR DIFFUSER. FLEXIBLE DUCT LENGTH SHALL NOT EXCEED 3'-0" FROM RETURN AIR GRILLE TO METAL DUCTWORK. IN BOTH CASES, 90° TURNS SHALL NOT BE USED. OFFSET ANGLES SHALL BE KEPT TO A MINIMUM. SEE DETAILS 6 AND 8/M.2.1.
 - SUPPLY AND/OR RETURN AIR CEILING PLENUMS SHALL NOT BE ACCEPTED.
 - PROVIDE THERMOSTAT AND SENSOR TAG TO THE UNIT SERVED.
 - ELECTRIC WALL HEATERS (EWH) ARE PROVIDED UNDER THE ELECTRICAL CONTRACT AND ARE SHOWN HERE FOR HVAC INFORMATION ONLY.
 - MECHANICAL SYSTEMS PIPING AND DUCT WORK SHALL BE HELD TO 14'-0" AFF MINIMUM. COORDINATE WITH STOCKROOM SHELVING.
 - REFER TO ARCHITECTURAL DRAWINGS FOR HVAC ROOF CURB, WG-4 ROOFTOP COMPRESSOR CURB AND SUPPORT DETAILS.
 - ALL NON-AIR CONDITIONING COMPRESSORS LISTED WITH REFRIGERANT PIPING SHALL BE PROVIDED BY WALGREENS. ALL ELECTRICAL WORK (REFER TO DRAWING E1.2) AND PLUMBING WORK (REFER TO DRAWING P1.1), INCLUDING ROOF SUPPORTS FURNISHED BY CONTRACTOR.
 - PAINT ALL INTERIOR SURFACES OF DUCTWORK VISIBLE THROUGH GRILLES, REGISTERS AND DIFFUSERS WITH FLAT, "DTM" (DIRECT TO METAL), NON-SPECULAR BLACK PAINT.
 - INSTALL FIRE DAMPER(S) WITH ACCESS DOOR PER LOCAL CODE AND AS NOTED.
 - SUPPLY AIR DIFFUSERS ARE 4-WAY THROW EXCEPT AS INDICATED ON PLAN.

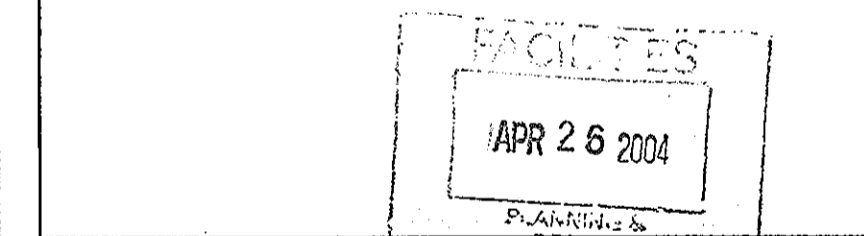


LEGEND

- SUPPLY AIR
- RETURN AIR
- TEE - TURNING VANES AND ADJUSTABLE SPLITTER DAMPER
- ELBOW - TURNING VANES
- MANUAL VOLUME CONTROL DAMPER
- 1 HOUR FIRE DAMPER WITH ACCESS DOOR
- THERMOSTAT, MOUNT 60" AFF MAX., UNLESS OTHERWISE NOTED. REFER TO CONTROL DIAGRAM, SHEET M2.2.
- SENSOR FOR THERMOSTAT. REFER TO CONTROL DIAGRAM, SHEET M2.2. (MOUNT 72" AFF. ON REAR OF COLUMN, UNLESS OTHERWISE NOTED.)
- AC AIR CURTAIN
- AFF ABOVE FINISH FLOOR
- CFM CUBIC FEET PER MINUTE
- EF EXHAUST FAN
- EAG EXHAUST AIR GRILLE (REFER TO DETAIL 3/M.2.1), CFM AND SIZE AS NOTED.
- EH ENTRANCE HEATER
- EWH ELECTRIC WALL HEATER
- SAD SUPPLY AIR DIFFUSER (REFER TO DETAIL 1/M.2.1), CFM AND SIZE AS NOTED.
- SAR SUPPLY AIR REGISTER (REFER TO DETAIL 2/M.2.1), CFM AND SIZE AS NOTED.
- SAG SUPPLY AIR GRILLE (REFER TO DETAIL 3/M.2.1), CFM AND SIZE AS NOTED.
- RAG RETURN AIR GRILLE (REFER TO DETAIL 3/M.2.1), CFM AND SIZE AS NOTED.
- RTU ROOFTOP UNIT
- TYP TYPICAL, NUMBER OF PLACES
- X/X SAD, SAG/SAR, RAG/EAG FACE DIMENSION

- MECHANICAL KEYED NOTES**
- HVAC ROOFTOP UNIT. SEE GENERAL NOTES (ABOVE), HEATING/COOLING UNIT SCHEDULE ON DRAWING M2.2 AND DETAIL 10/M.2.1 FOR ADDITIONAL INFORMATION.
 - SAD, CFM AND SIZE AS NOTED. SAD SHALL HAVE A TOTAL STATIC PRESSURE DROP OF 0.12" W.C. OR LESS. SEE DETAIL 1/M.2.1.
 - MOUNT SARS WITH ANGLED DOWN 3-WAY AIR THROW.
 - NOT USED.
 - SAG/SAR, CFM AND SIZE AS NOTED. SAG/SAR SHALL HAVE A TOTAL STATIC PRESSURE DROP OF 0.12" W.C. OR LESS. SEE DETAIL 2/M.2.1.
 - RAG/EAG, CFM AND SIZE AS NOTED. RAG/EAG SHALL HAVE A TOTAL STATIC PRESSURE DROP OF 0.12" W.C. OR LESS. SEE DETAIL 3/M.2.1.
 - STOCKROOM HVAC ROOFTOP UNIT. SEE DETAIL 1/M.2.2.
 - ROOF-TOP ENCLOSED BLOWER/ENTRANCE HEATER. INCLUDE FLEXIBLE CONNECTIONS, 100% RETURN AIR (NO OUTSIDE AIR) WITH SENSOR AT ENTRANCE AND THERMOSTAT IN OFFICE.
 - RETURN AIR GRILLES (RAGS) ARE SIZED FOR 100% RETURN AIR QUANTITY.
 - WG-4 ROOFTOP CONDENSING UNIT FOR WALK-IN COOLER/FREEZER.
 - PIPE PORTALS FOR WALK-IN COOLER/FREEZER CONDENSING UNIT REFRIGERANT LINES (SEE DETAIL 5/M.2.1) AND ELECTRICAL LINES (SEE DETAIL 12/A1.4).
 - ADJUST FRONT HORIZONTAL BARS TO AN ANGLE OF 45° SUCH THAT AIR FLOWS AWAY FROM WINDOWS TO HELP PREVENT CONDENSATION ON GLASS IN HOT, HUMID CLIMATE CONDITIONS.
 - ELECTRIC WALL HEATER (EWH) FURNISHED BY ELECTRICAL CONTRACTOR. SEE DRAWING E1.2 FOR MORE INFORMATION.
 - ROOF MOUNTED EXHAUST FAN. SEE FAN SCHEDULE, SHEET M2.2 AND DETAIL 4/M.2.1.
 - INSTALL SAG IN CENTER OF CEILING TILE CLOSEST TO WINDOW CENTER.
 - EVAPORATIVE UNIT. (FAN COIL) PROVIDE DX PIPING CONNECTION WITH WG-4 ROOFTOP CONDENSING UNIT.
 - INSTALL BOTTOM OF 12/12 RAG @ 0'-8" AFF. INSTALL 14/6 RETURN DUCT IN WALL CHASE AND COORDINATE WITH ARCHITECTURAL DRAWINGS.
 - OVERHEAD DOOR AIR CURTAIN (AC-1) WALL MOUNTED AND SUPPORTED FROM BAR JOIST. POSITION TO CLEAR DOOR AND INSTALL PER MANUFACTURER'S DIRECTION. PROVIDE WITH 20KW ELECTRIC HEAT AND SENSOR. SEE AIR CURTAIN SCHEDULE, SHEET M2.2 AND 1/A4.1 FOR MOUNTING AND SUPPORT DETAILS.
 - NOT USED.
 - DIRECT SUPPLY AIR AWAY FROM WEIGHT SCALE.
 - MOUNT SARS WITH AIR THROW ANGLED DOWNWARD @ 45° FROM HORIZONTAL. MOUNT SARS ON SPIRAL DUCTWORK. SARS SHALL HAVE DAMPERS AND INSTALLED SUCH THAT AIR SUPPLY IS DIRECTED DOWN AT A 45° ANGLE FROM HORIZONTAL. SEE DETAIL 1/M.2.2.
 - FLAT ROOF VENT, PORTAL PLUS # 74004, W/INSECT SCREEN. REFER TO ARCH. DETAILS 1/A1.3 AND 1/A2.5. ALSO SEE DETAILS 11/M.2.1 AND 9/M.2.1.
 - PROVIDE 4" DIA. INTAKE AIR AND EXHAUST AIR PIPING TO ROOF FOR GAS-FIRED WATER HEATER. SEE DETAIL 3/P.2.1 AND 8/P.2.1.

FLOOR PLAN - MECHANICAL
SCALE: 1/8"=1'-0"



NO.	DATE	BY	DESCRIPTION	CONST.
4/07/04			OWNER REVIEW COMMENTS #1	

REVISIONS

CERTIFICATION AND SEAL

I HEREBY CERTIFY THAT THIS PLAN AND SPECIFICATIONS WAS PREPARED BY ME OR UNDER MY DIRECT SUPERVISION AND THAT I AM A DULY REGISTERED ARCHITECT OR ENGINEER UNDER THE LAWS OF THE STATE OF MISSOURI AS SIGNIFIED BY MY HAND AND SEAL.

SCOTT C. WEBB
REGISTERED PROFESSIONAL ENGINEER
04-12-09

PROJECT NAME
(NWC) FREMONT AVE. & REPUBLIC RD. SPRINGFIELD, MISSOURI

Copyright © 2004 by Timothy M. Gallup & Co.
DRAWING TITLE

FLOOR PLAN - MECHANICAL

DATE	STORE NO.	DRAWING NO.
02/12/04	09022	M1.1
WALGREENS 2004	SCALE: AS SHOWN	RELEASED TO CONSTRUCTION
DRAWN BY: REB, ODM		
REVIEWED BY: MEC, PAH		

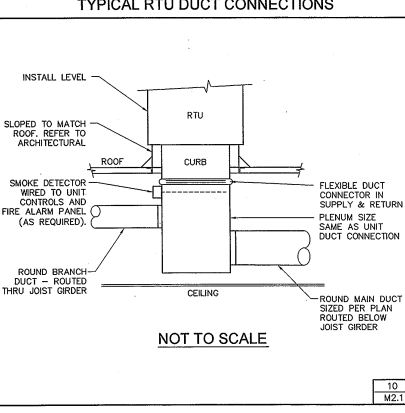
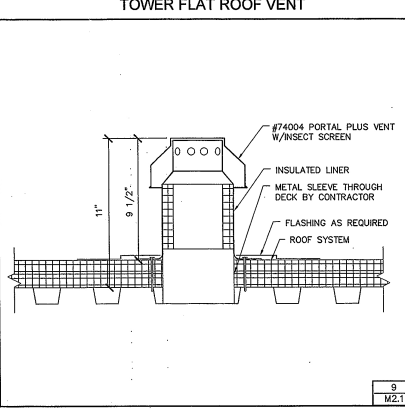
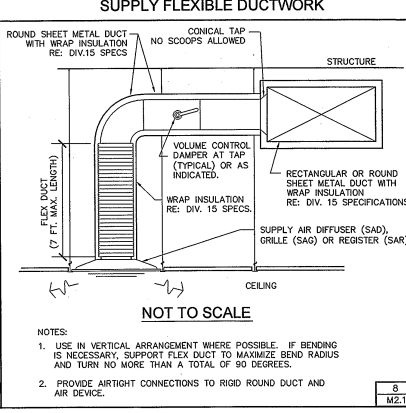
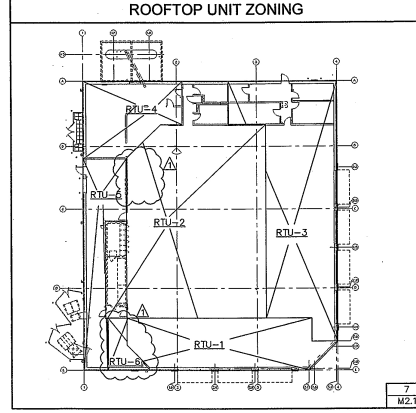
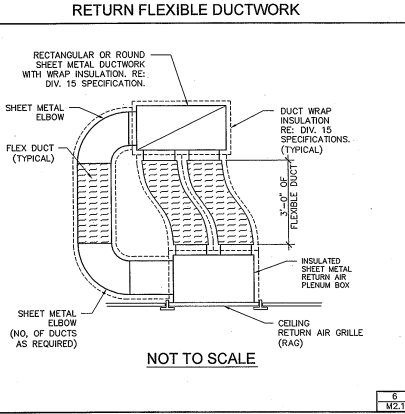
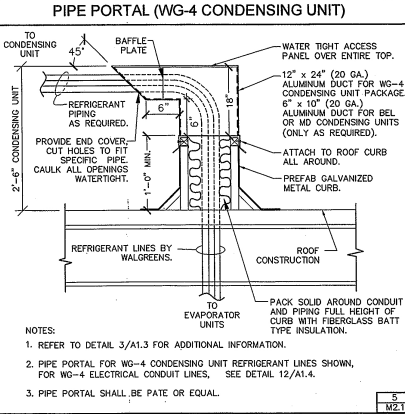
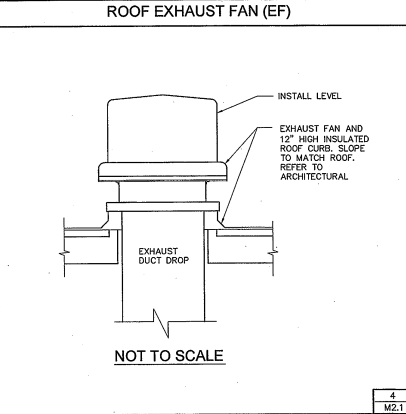
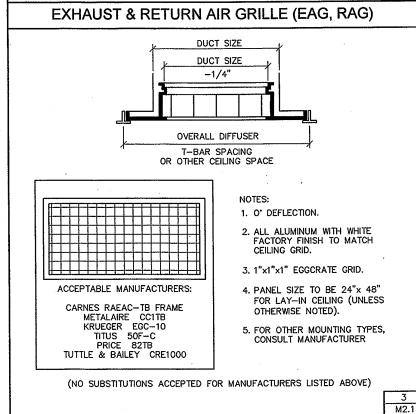
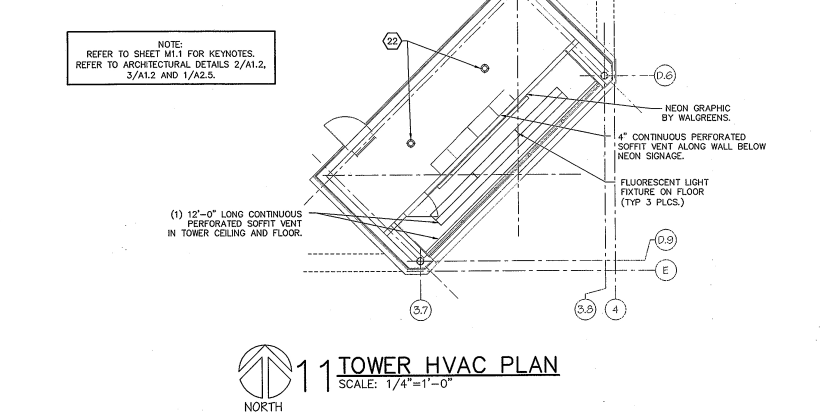
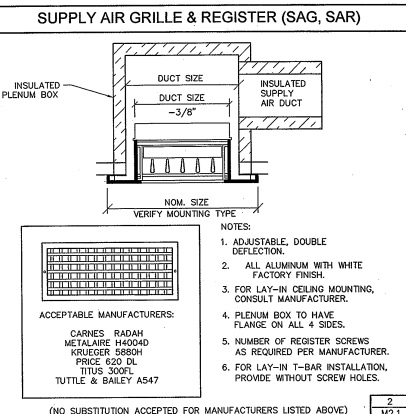
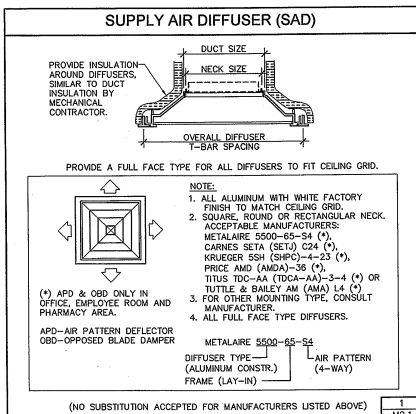
OF 3 DWGS.

PROJECT TYPE

DRAWINGS/SPECIFICATIONS BY:
 WALGREENS' CONSULTANT LANDLORD'S CONSULTANT

ALL CONSTRUCTION WORK, UNLESS NOTED OTHERWISE, BY:
 WALGREENS' CONTRACTOR LANDLORD'S CONTRACTOR (TURNKEY CONSTRUCTION)

STORE	BUILDING
NEW..... <input type="checkbox"/>	NEW..... <input checked="" type="checkbox"/>
REMODELING..... <input type="checkbox"/>	EXISTING..... <input type="checkbox"/>
RELOCATION..... <input type="checkbox"/>	NEW SHELL..... <input type="checkbox"/>
OTHERS..... <input type="checkbox"/>	NEW SHELL..... <input type="checkbox"/>



NO.	DATE	BY	DESCRIPTION	CONST.
1	4/07/04		OWNER REVIEW COMMENTS #1	

REVISIONS

CERTIFICATION AND SEAL

I HEREBY CERTIFY THAT THIS PLAN AND SPECIFICATIONS WAS PREPARED BY ME OR UNDER MY DIRECT SUPERVISION AND THAT I AM A DULY REGISTERED ARCHITECT OR ENGINEER UNDER THE LAWS OF THE STATE OF MISSOURI AS SIGNIFIED BY MY HAND AND SEAL.

STATE OF MISSOURI
 SCOTT C. WILSON
 E-23551
 PROFESSIONAL SEAL

PROJECT NAME
 (NWC) FREMONT AVE. & REPUBLIC RD.
 SPRINGFIELD, MISSOURI

Copyright © 2024 by Timothy M. Gallup & Co.
 DRAWING TITLE

MECHANICAL DETAILS AND ENLARGED HVAC PLAN

DATE	SCALE	STORE NO.	DRAWING NO.
02/12/04	AS SHOWN	09022	M2.1

WALGREENS 2004
 CRITERIA: SCALE: AS SHOWN
 DRAWN BY: RED, COM RELEASED TO CONSTRUCTION
 REVIEWED BY: MEC, PAH OF 3 DWGS.

FAN SCHEDULE									
UNIT	AREA SERVED	CFM	E.S.P. IN. W.C.	MOTOR HP	VOLT	RPM	MAKE / MODEL / WEIGHT (W/CURB)	REMARKS / ACCESSORIES	
EF-1	NOT USED								
EF-2	TOILETS	500	0.375	1/15	120/1	1550	GREENHECK G-90-DGX-00-D 43#	CONTROLLED BY LIGHTING SWITCH. PROVIDE BACKDRAFT DAMPER, INTERNAL DISCONNECT SWITCH, SPEED CONTROL & ROOF CURB.	
EF-3	EMPLOYEE ROOM/ELECTRICAL ROOM	400	0.375	1/15	120/1	1300	GREENHECK G-90-DGX-00-D 43#	CONTROLLED BY LIGHTING SWITCH. PROVIDE BACKDRAFT DAMPER, INTERNAL DISCONNECT SWITCH, SPEED CONTROL & ROOF CURB.	

NOTES:
 ROOF CURB SUPPLIED WITH EF-1, 2 AND 3 EXHAUST FANS. GREENHECK MODEL GPR OR APPROVED EQUAL, 12" HIGH, SLOPED 1/4" PER FOOT FOR ROOF ORIENTATION SHOWN ON PLANS. BACKDRAFT DAMPER SUPPLIED WITH ALL EXHAUST FANS. GREENHECK OR APPROVED EQUAL.
 PROVIDE LAMINATED BAKELITE NAMEPLATE (EF-1, ETC.) FOR EACH FAN. LOCATE NEXT TO FAN NAME PLATE.
 ACCEPTABLE ALTERNATE MANUFACTURERS FOR EXHAUST FANS (SEE FAN SCHEDULE REMARKS).
 EF-1 - (NOT USED)
 EF-2 - ACME PRINT000; CARNES VEDK 10; COOK ACE-D-90C150H; ILO CRDA08; JENN REDB01-ST AND PENN X094
 EF-3 - ACME PRINT000; CARNES VEDK 10; COOK ACE-D-90C150H; ILO CRDA08; JENN REDB01-ST AND PENN X094.

HEATING/COOLING UNIT SCHEDULE														
HEATING/COOLING UNITS - NOTE: COOLING CAPACITIES AT 95° F CONDENSER ENTRANCE AIR TEMPERATURE, 80° F DB/67° F WB.														
UNIT	AREA SERVED	FUSE SIZE 208 VOLTS 3 PHASE	BLOWER			COMPRESSOR			AIR COOLED CONDENSER		GAS FIRED FURNACE		MAKE/MODEL/WEIGHT/ROOF CURB & ACCESSORIES	SEER/EER RATING
			TOT CFM	HP	ELECT. REQ. VOLTS/PHASE	NO. VOLTS/PHASE	COOLING CAPACITY	NO. HP	ELECT. REQ. INPUT	BTU/HR RATE	INPUT	OUTPUT		
RTU-1 7.5 TON	GENERAL SALES	50	3000 430	2.0	208 3	2/9 14.3	2/9 14.3	90,000 TOTAL 67,600 SENS	3.85	0.70	208 1	150,000 121,500	TRANE YHC-092-A3-RMA-HOAC0 116 LBS / (4) 2" FILTERS ACCESSORIES: SD, RC, ED	-11.40
RTU-2 8.5 TON	GENERAL SALES	50	3400 700	2.0	208 3	2/9 14.7	2/9 14.7	102,000 TOTAL 79,800 SENS	5.17	0.75	208 1	200,000 162,000	TRANE YHC-102-A3-RMA-HOAC0 160 LBS / (4) 2" FILTERS ACCESSORIES: SD, RC, ED	-11.80
RTU-3 10.0 TON	GENERAL SALES, OFFICE, EMP. RM, TRAINING RM	60	4000 750	3.0	208 3	2/9 17.3	2/9 17.3	116,000 TOTAL 89,800 SENS	5.17	0.75	208 1	200,000 162,000	TRANE YHC-102-A3-RMA-HOAC0 1263 LBS / (4) 2" FILTERS ACCESSORIES: SD, RC, ED	-11.30
RTU-4 5 TON	PHARMACY	40	2000 400	0.9	208 1	1/9 17.4	1/9 17.4	62,400 TOTAL 47,300 SENS	2.0	0.33	208 1	130,000 104,000	TRANE YHC-080-A3-RMA-HOAC0 712 LBS / (2) 1" FILTERS ACCESSORIES: SD, RC, ED	12.20/-
RTU-5 3 TON	STOCKROOM, GENERAL SALES	20	1200 240	0.33	208 1	1/9 10.3	1/9 10.3	38,000 TOTAL 28,900 SENS	1.5	0.20	208 1	60,000 48,000	TRANE YHC-038-A3-RMA-HOAC0 608 LBS / (2) 1" FILTERS ACCESSORIES: SD, RC, ED	12.50/-
RTU-6 3 TON	PHOTO PROCESSING	20	1200 120	0.33	208 1	1/9 10.3	1/9 10.3	38,000 TOTAL 28,900 SENS	1.5	0.20	208 1	60,000 48,000	TRANE YHC-038-A3-RMA-HOAC0 608 LBS / (2) 1" FILTERS ACCESSORIES: SD, RC, ED	12.50/-

ACCESSORIES:
 SD - DUCT MOUNTED SMOKE DETECTORS INSTALLED IN RETURN AIR DUCT AND WIRED TO UNIT CONTROLS AND FIRE ALARM PANEL (AS REQUIRED).
 RC - ROOF CURB SUPPLIED WITH UNIT. SLOPED 1/4" PER FOOT FOR ROOF ORIENTATION SHOWN ON PLANS.
 ED - FACTORY INSTALLED, FULLY MODULATING MOTORIZED ECONOMIZER DAMPER, WITH BAROMETRIC RELIEF AND COMPARATIVE ENTHALPY CONTROLS. SET TO OUTSIDE AIR (OSA) AMOUNTS SCHEDULED ABOVE.

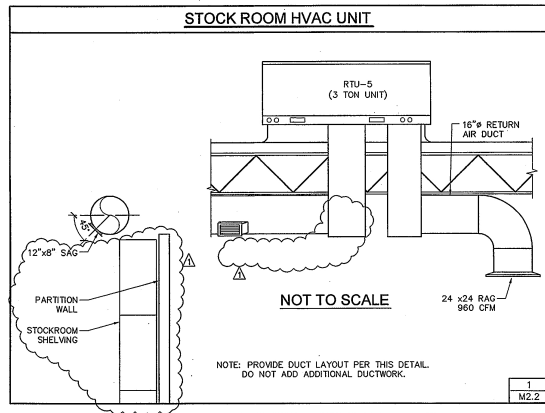
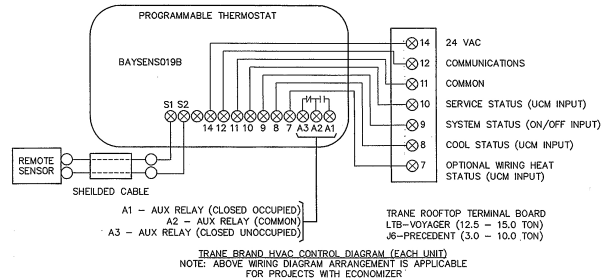
NOTES:
 1. ALL TRANE EQUIPMENT SHALL BE PURCHASED FROM WALGREEN CO. NATIONAL ACCOUNTS. REFER TO CONTACT INFORMATION ON THIS SHEET. NO SUBSTITUTIONS ALLOWED. NATIONAL ACCOUNT EQUIPMENT IS SUPPLIED SPECIFICALLY FOR THIS PROJECT PER THE REQUIREMENTS LISTED IN THIS SCHEDULE.
 2. CONTRACTOR SHALL PROVIDE SMOKE DETECTORS, THERMOSTATS, SENSORS, AND ALL COMPONENTS REQUIRED TO COMPLETE SYSTEM. ALL COMPONENTS SHALL BE INSTALLED IN ACCORDANCE WITH MANUFACTURER'S INSTRUCTIONS. REFER TO DIVISION 15 SPECIFICATIONS FOR ADDITIONAL REQUIREMENTS.
 3. BLOWER CFM IS AT 0.6" W.C. STATIC PRESSURE EXTERNAL TO FILTERS UNLESS OTHERWISE NOTED.
 4. POWER FOR UNIT AND CONVENIENCE RECEPTACLE SHALL BE ROUTED THROUGH UTILITY OPENING IN BASE OF UNIT. REFER TO SHEET E1.2.
 5. AIR CONDITIONING COMPRESSORS SHALL HAVE A FIVE (5) YEAR WARRANTY. HEAT EXCHANGERS SHALL HAVE A TEN (10) YEAR WARRANTY. WARRANTIES OR COPIES OF WARRANTIES SHALL BE GIVEN TO WALGREENS PROJECT ARCHITECT UPON COMPLETION OF PROJECT.
 6. PROVIDE LAMINATED BAKELITE NAME PLATE (RTU-1, ETC.) FOR EACH RTU. LOCATE NEXT TO UNIT NAME PLATE.

NATIONAL ACCOUNTS FOR TRANE RTUS	
1. HVAC UNITS	
1. FOR TRANE EQUIPMENT, CALL JILL ELIAS @ (800) 453-6954 EXT. 6058 TO COORDINATE YOUR PURCHASE ORDER AGREEMENT AND EQUIPMENT DELIVERY.	

AIR COOLED CONDENSING UNIT SCHEDULE						
UNIT	COMPRESSOR			ELECTRICAL REQUIREMENTS		MAKE/WEIGHT (W/CURB)
	NO. HP	VOLT PHASE	MAX. FUSE	MCA		
WG-4	285 284	208/3/60	125	114		MASTER-BILT/ 1835 LBS

BILL OF MATERIAL			
THE FOLLOWING CONTROLS TO BE FURNISHED BY TEMPERATURE CONTROL CONTRACTOR			
NO.	QUANTITY	MAKE	REMARKS
T1	1 (PER UNIT)	TRANE BAYEN S019B	-20F TO 80F SCALE 1 DEGREE DIFFERENCE (USE AS COMPRESSOR LOCKOUT SET AT 50F).
T2	1 (PER UNIT)	TRANE BAYEN S019B	
	1 (PER UNIT)	TRANE BAYEN S017B	REMOTE SENSOR (UNLESS NOTED)
		TRANE BAYEN S016A	DUCT MOUNTED TEMPERATURE SENSOR (IF SHOWN ON M1.1 PLAN)
T3	1 (PER UNIT)	HONEYWELL T710P1006 AND HONEYWELL T7047C	NOTE: FOR ENTRANCE HEATER WITH Q710A1010 SUBBASE.

REMOTE SENSOR NOTE:
 REMOTE SENSOR (MODEL NUMBERS ABOVE) ARE TO BE MOUNTED ON COLUMN (OR WALL OR DUCT), 72" AFF. WITH THE SUBBASE (T702500) LOCATED IN OFFICE. CONNECT REMOTE SENSOR TO 1-1 TERMINALS OF SUBBASE VIA TWO (2) #18 AWG SHIELDED, TWISTED PAIR WIRES, BELDEN 8719. SEE CONTROL WIRING DIAGRAM (DO NOT USE THE REMOTE SENSOR OPTION ON PHARMACY UNIT. REFER TO PLAN).
 TRANE TEMPERATURE CONTROL UNIT MUST BE REPROGRAMMED TO OPERATE ACCURATELY WITH REMOTE SENSOR.
 ALL CONTROLS SUCH AS THERMOSTATS, ETC. SHALL HAVE A LABEL (USING P-TOUCH LABELING MACHINE) TO INDICATE WHAT IS EQUIPMENT IS CONTROLLED. (RTU-1, ETC.).



TRANE EQUIPMENT WILL UTILIZE TRANE TEMPERATURE CONTROL. CHECK WITH LOCAL EQUIPMENT DEALER TO VERIFY MODEL NUMBERS.			
COOLING / HEATING PROGRAM			
OCCUPIED (8 A.M. - 10 P.M.)		UNOCCUPIED (10 P.M. - 8 A.M.)	
1) SALES 76F	2) PHARMACY & PATIENT SEATING 72F	1) SALES 60F	2) PHARMACY & PATIENT SEATING 60F
3) GENERAL STOCK 70F	4) 1 HOUR PHOTO 70F	3) GENERAL STOCK 60F	4) 1 HOUR PHOTO 60F
HEATING			
OCCUPIED (8 A.M. - 10 P.M.)		UNOCCUPIED (10 P.M. - 8 A.M.)	
1) SALES 70F	2) PHARMACY & PATIENT SEATING 72F	1) SALES 60F	2) PHARMACY & PATIENT SEATING 60F
3) GENERAL STOCK 70F	4) 1 HOUR PHOTO 70F	3) GENERAL STOCK 60F	4) 1 HOUR PHOTO 60F

AIR CURTAIN & ENTRANCE HEATER SCHEDULE									
UNIT	AREA SERVED	BTU/HR INPUT KILOWATT (VOLT/PH)	CFM	MOTOR		TYPE	MAKE / MODEL / WEIGHT	ACCESSORIES	
				HP	VOLT PHASE				
AC-1	OVERHEAD RECEIVING DOOR	20 KW (28/3 PH)	2072	1/5	208 1	AIR CURTAIN WITH 20 KW ELECTRIC HEAT AND THERMOSTAT.	BERNER MODEL MAXHR MAX-1072D-WAG 77 LBS.		
EH-1	ENTRANCE	150,000	2400	1 1/2	208 3	OUTDOOR, POWER VENTED, GAS FIRED, PACKED DUCT FURNACE/ BLOWER UNIT W/FILTER SECTION.	** REZTOR HRPB-150 815 LBS ACCESSORIES: DP, RC, SD, TS, RS		

ACCESSORIES:
 TS - THERMOSTAT
 RS - REMOTE SENSOR
 DP - DOWNFLOW FLENUM

ACCEPTABLE ALTERNATE MANUFACTURER FOR ENTRANCE HEATER: TRANE-GRC 015 AND MOONIE HDP150.
 ** PROVIDE WITH 409 STAINLESS STEEL HEAT EXCHANGER, TWO STAGE BURNER, WALL THERMOSTAT WALL SENSOR AND 10 YEARS WARRANTY.
 *** PROVIDE AIR CURTAIN WITH DOOR CONTROL, FAN AND HEAT CONTROL, SUMMER FAN CONTROL, TIME DELAY (PACKAGE CONTROL SYSTEM) 8"-0" CAPILLARY TEMPERATURE SENSOR, SIDE SHIELDS. INSTALL UNIT PER MANUFACTURER'S DIRECTION. ACCEPTABLE ALTERNATE MANUFACTURER - TM INC. CONTACT WILLIAMSON & CO. @ 847-674-0000.

Walgreens
 FACILITIES PLANNING AND DESIGN
 208 WILMOT ROAD DEERFIELD, IL 60015
 847-940-2500

TIMOTHY M GALLUP
 Architecture-Planning-Interior Design
 9 East 4th Street + Suite 100 + Tulsa, Oklahoma 74103
 (918) 584-8855 + (918) 584-0000 FAX
 tmg@timthymgallup.com (e-mail)

MPW ENGINEERING, LLC
 Mechanical & Electrical Consulting & Services
 111 W. 5th Street + Suite 900 + Tulsa, Oklahoma 74103
 (918) 582-4088 + (918) 582-4087 FAX

PROJECT TYPE
 DRAWINGS/SPECIFICATIONS BY:
 WALGREENS CONSULTANT LANDLORD'S CONSULTANT
 ALL CONSTRUCTION WORK UNLESS NOTED OTHERWISE BY:
 WALGREENS CONTRACTOR
 LANDLORD'S CONTRACTOR (TURNKEY CONSTRUCTION)

STORE BUILDING
 NEW..... REMODELING..... NEW.....
 RELOCATION..... EXISTING.....
 OTHERS..... NEW SHELL ONLY

APR 25 2004
 AUTHORIZED SIGNATURE

4/07/04 OWNER REVIEW COMMENTS #1
 NO. DATE BY DESCRIPTION CONST.

REVISIONS
 IDENTIFICATION AND SERIAL

I HEREBY CERTIFY THAT THIS PLAN AND SPECIFICATIONS WAS PREPARED BY ME OR UNDER MY DIRECT SUPERVISION AND THAT I AM A DULY REGISTERED ARCHITECT OR ENGINEER UNDER THE LAWS OF THE STATE OF MISSOURI AS SIGNIFIED BY MY HAND AND SEAL.

STATE OF MISSOURI
 SCOTT J. GALLUP
 E-28387
 APR 12 2004

PROJECT NAME
 (NWC) FREMONT AVE. & REPUBLIC RD.
 SPRINGFIELD, MISSOURI

Copyright © 2004 by Timothy M. Gallup & Co.

MECHANICAL EQUIPMENT SCHEDULES AND DETAILS

DATE 02/12/04 STORE NO. DRAWING NO.
 WALGREENS 2004 09022
 CITERIA:
 SCALE: AS SHOWN
 DRAWN BY: REB, ODM RELEASED TO CONSTRUCTION
 REVIEWED BY: MEC, PAH OF 3 DWGS.

M2.2