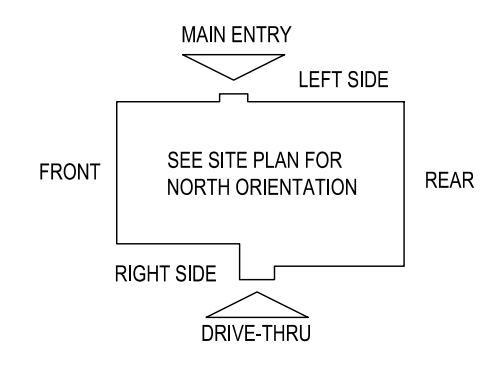


**E5 HVAC PLAN**  
SCALE: 1/4" = 1'-0"



NOTE: ALL DUCTWORK TO BE LOCATED IN TRUSS SPACE WHERE POSSIBLE. SEE FRAMING PLAN.  
HVAC SETPOINTS RECOMMENDED BY CORPORATE OPERATIONAL GUIDELINES:  
1. DINING: HEATING 70 DEGF, COOLING 72 DEGF  
2. KITCHEN: HEATING 68 DEGF, COOLING 74 DEGF

SUPPLY DUCTWORK SIZING TABLE*			
ROUND		RECTANGULAR	
SIZE	CFM RANGE	SIZE	CFM RANGE
8"	115 - 235	8"x8"	205 - 300
10"	240 - 435	10"x8"	305 - 400
12"	440 - 710	10"x10"	405 - 550
14"	715 - 1,070	12"x10"	555 - 700
16"	1,075 - 1,530	12"x12"	705 - 900
18"	1,535 - 2,090	14"x12"	905 - 1,105
20"	2,095 - 2,760	16"x12"	1,110 - 1,315
22"	2,765 - 3,550	18"x12"	1,320 - 1,520
24"	3,555 - 4,470	20"x12"	1,525 - 1,740
*CONTRACTOR MAY SUBSTITUTE RECTANGULAR FOR ROUND DUCTWORK ON MAIN RUNS AT THEIR DISCRETION. BRANCHES TO DIFFUSERS TO REMAIN ROUND.			
		22"x12"	1,745 - 1,950
		24"x12"	1,955 - 2,170
		26"x12"	2,175 - 2,400
		28"x12"	2,405 - 2,610
		30"x12"	2,615 - 2,840
		32"x12"	2,845 - 3,070
		34"x12"	3,075 - 3,290
		36"x12"	3,295 - 3,520
		36"x14"	3,525 - 4,420

DIFFUSER, REGISTER, AND GRILLE SCHEDULE									
TAG	SERVICE	TYPE	MATERIAL	THROW	FACE	NECK	MOUNTING	MANUFACTURER/MODEL	Notes
SD-1	SUPPLY	LOUVERED	STEEL	4-WAY	24X24	SEE PLAN	LAY-IN	RAYMON PRO2	2.4
SD-2 - NOT USED									
SD-3	SUPPLY	LOUVERED	STEEL	3-WAY	12X12	SEE PLAN	SURFACE	RAYMON PRO2/QMF/DAG	2.4
SD-4	SUPPLY	LOUVERED	STEEL	4-WAY	12X12	SEE PLAN	SURFACE	RAYMON PRO2/QMF	2.4
SD-5	SUPPLY	PERFORATED	STEEL	PERFORATED	24X24	SEE PLAN	LAY-IN	RAYMON RPR	2.4
RG-1	RETURN	SQUARE EGGRATE	ALUMINUM	N/A	24X24	22X22	LAY-IN	RAYMON FGEC-TB1	2.3, 4
EG-1	RETURN	LOUVERED GRILLE	ALUMINUM	N/A	12X12	SEE PLAN	SURFACE	RAYMON RA-HVD	1.2, 4
TG-1	TRANSFER	LOUVERED GRILLE	ALUMINUM	N/A	SEE PLAN	SEE PLAN	SURFACE	RAYMON RA-RH	2.4
DIFFUSER NOTES:									
1. PROVIDE w/ ADJUSTABLE OPPOSED BLADE DAMPER									
2. VERIFY ALL DIFFUSERS AND RETURN GRILLE COLORS WITH OWNER AND ARCHITECT									
3. PROVIDE w/ 22X22 PLENUM BOX.									
4. ALL DIFFUSERS AND RETURNS LOCATED IN BLACK CEILING SHALL BE FLAT BLACK FINISH.									

© 2025

**NEW CULVER'S RESTAURANT**  
2701 E Division Street  
Diamond, IL 60416  
County of WILL

Culver Franchising System, Inc.  
1240 Water Street  
Prairie du Sac, WI 53578  
608-843-7980

OWNER:  
DIAMOND CUSTARD LLC  
400 E Summit Ave  
Wales, WI 53183  
Tony Milazzo, 262-761-5381  
Brandon Davidson, 615-863-4790  
Bobby Maier, 262-515-5683

ARCHITECT:  
OLLMANN ERNEST MARTIN ARCHITECTS  
200 South State Street  
Belvidere Illinois 61008  
815-544-7190 Phone  
© OEMA. All rights reserved. Any copying, transmission or disclosure subject to OEMA written approval.

**HVAC PLAN, DIFFUSER SCHEDULE**

Date: 12-11-2024  
Revision:

2024-154  
**M101**



HOOD INFORMATION																	
HOOD NO.	MARK	MODEL	HOOD DIMENSIONS (IN.)			HOOD CONSTR.	COOKING LOAD / DUTY RATING	EXHAUST COLLAR(S)					SUPPLY		TOTAL WEIGHT LBS.	SECTION LOCATION	
			LENGTH	WIDTH	HEIGHT			WIDTH	LENGTH	DIA.	CFM	S.P.	MUA CFM	AC CFM			
1	GRIDDLE HOOD	XGEP-64-S	64	TOP 23 BOT 8	FRT 12 BACK 36	430 SS WHERE EXPOSED	MEDIUM	1500	12	12		1500	0.924			137	SINGLE

HOOD INFORMATION													
HOOD NO.	MARK	LIGHTING DETAILS			GREASE FILTRATION DETAILS			UTILITY CABINET(S)					
		FIXTURE TYPE	BULB / LAMP INFO	QTY	FOOT CANDLES	TYPE / MODEL MATERIAL	QTY	SIZE (IN.)	LOCATION	FIRE SYSTEM	SIZE	MODEL	CONTROLS
1	GRIDDLE HOOD					X-TRACTOR (SPARK ARRESTOR INCL.) STAINLESS STEEL	4	16	16				

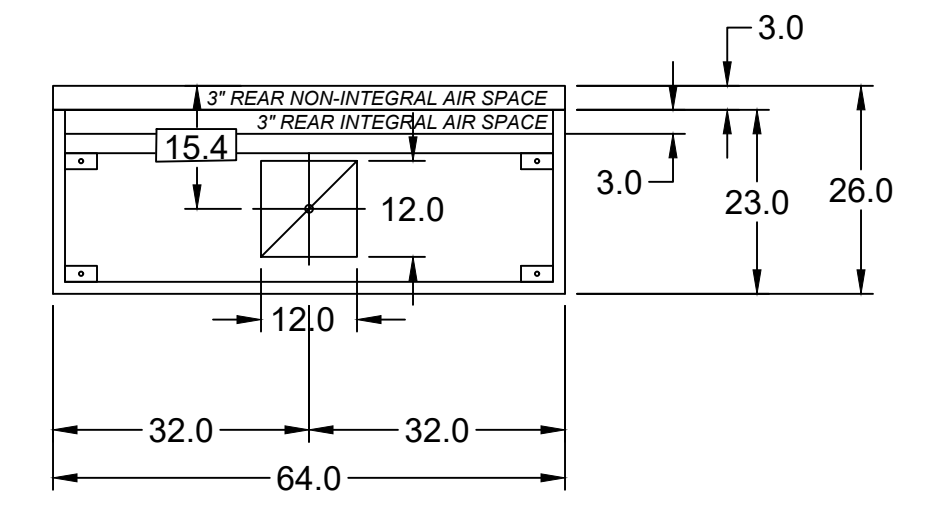
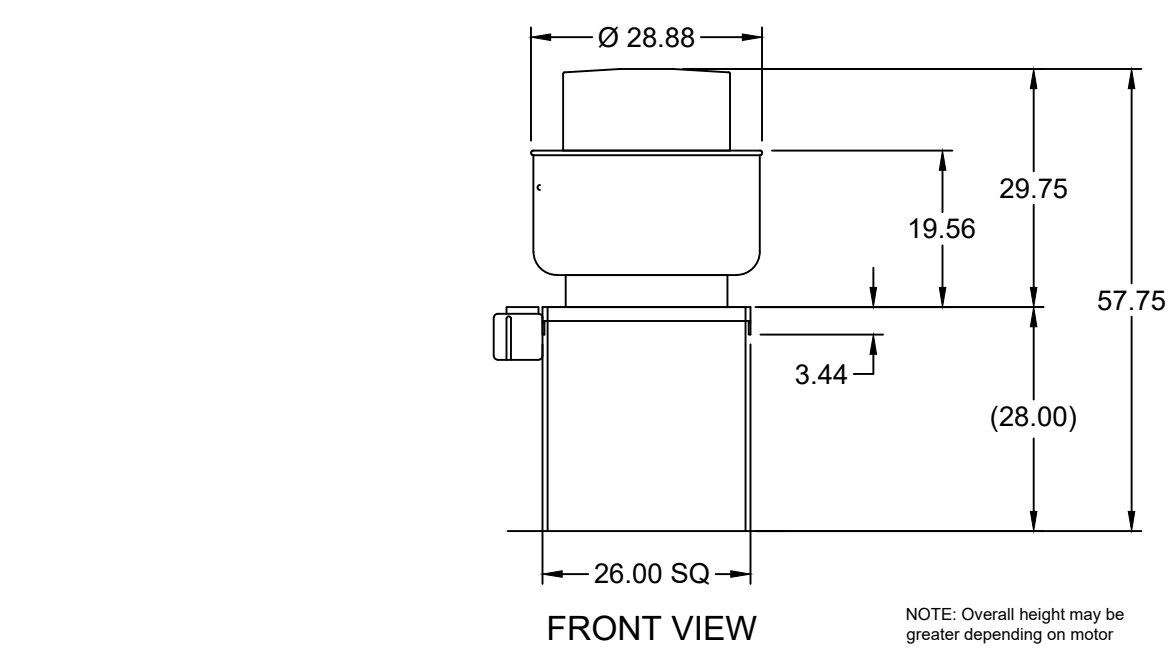
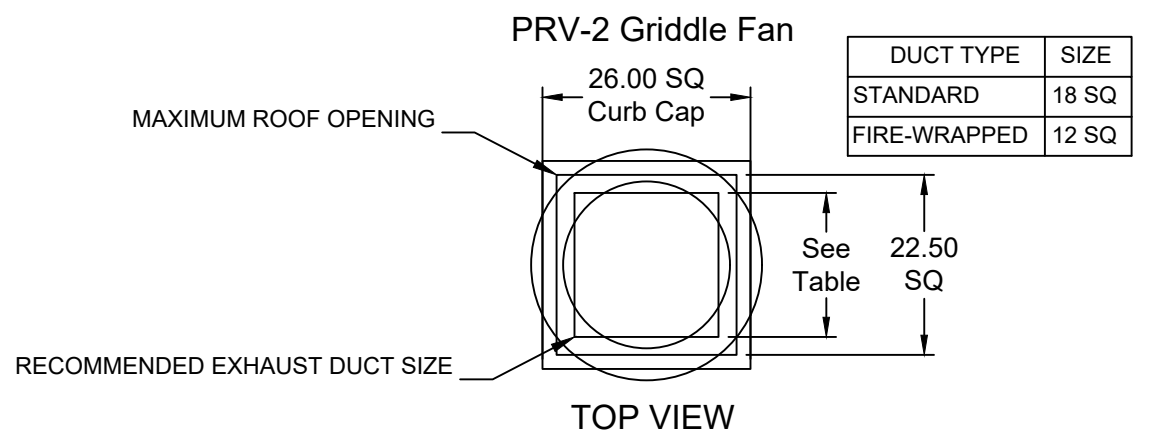
HOOD OPTIONS		SPECIAL DESIGN REQUESTS	
UL 710 LISTED W/ OUT EXHAUST FIRE DAMPER - UL #R25625	BACK NON-INTEGRAL AIR SPACE - 3 IN WIDE	SDR #K1100145 - FLUE BYPASS HOOD	SDR #K1700974 - CULVERS 4VAT 2FIRE PROCESS - FRYER HOOD
26 IN HIGH CEILING ENCLOSURES - FRONT LEFT RIGHT - FIELD INSTALLED	FACTORY MOUNTED EXHAUST COLLAR(S)	PERFORMANCE ENHANCING LIP (PEL) TECHNOLOGY	SDR #K1800144 - CULVERS 4VAT 2FIRE PROCESS - GRIDDLE HOOD
STANDING SEAM CONSTRUCTION FOR SUPERIOR STRENGTH			

Direct Drive Upblast Centrifugal Roof Exhaust Fan													
MARK INFORMATION		FAN INFORMATION				MOTOR INFORMATION							
QTY	MARK	MODEL	VOLUME (CFM)	TOTAL EXTERNAL SP (IN WG)	FAN RPM	OPERATING POWER (HP)	WEIGHT (LB.)	SIZE (HP)	V/C/P	ENCLOSURE	MOTOR RPM	WINDINGS	NEC FLA*
1	PRV-2 Griddle Fan	XCUE-140-VG	1,500	1.801	1,725	0.83	92	1	115/60/1	OP	1725	1	16

\*NEC FLA - Based on table 430.250 or 430.248 of National Electrical Code 2020. Actual motor FLA may vary for sizing thermal overload, consult factory\*

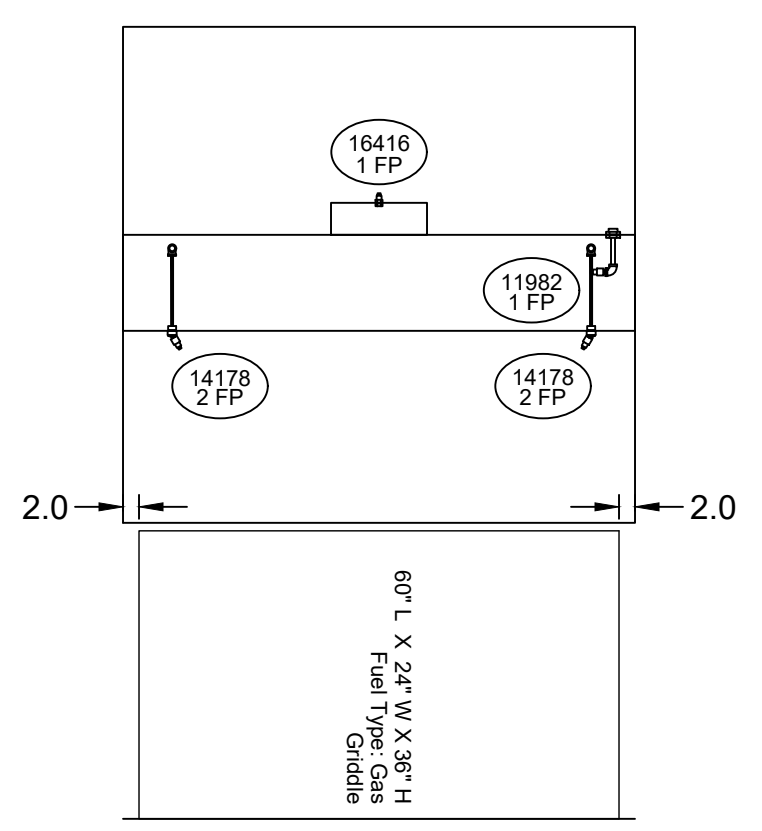
**PRV-2 Griddle Fan : SELECTED OPTIONS AND ACCESSORIES**

One piece fully welded windband  
Tapered bushing wheel hub  
Breather tube outlet area min. 4.4 sq. in. (sizes 99-480), 2.0 sq. in. (sizes 60-95)  
Min. windband material thickness: 0.051" aluminum (060-240), 0.064" aluminum (240HP, 240XP), 0.080" aluminum (sizes 300-480)  
Larger Curb Cap Size - 26 Square  
UL/cUL 705 Listed - Supplement SC - "Power Ventilators for Restaurant Exh. Appliances" (Formerly UL 762)  
Switch, NEMA-3R, Toggle,  
Hinge, Factory Installed  
High Temp Curb Seal Rated for Continuous Duty at 1500 F (Factory Attached)  
Grease Trap (PN 475538)  
Clean-out Port - Factory Installed  
Conduit Chase Qty 1

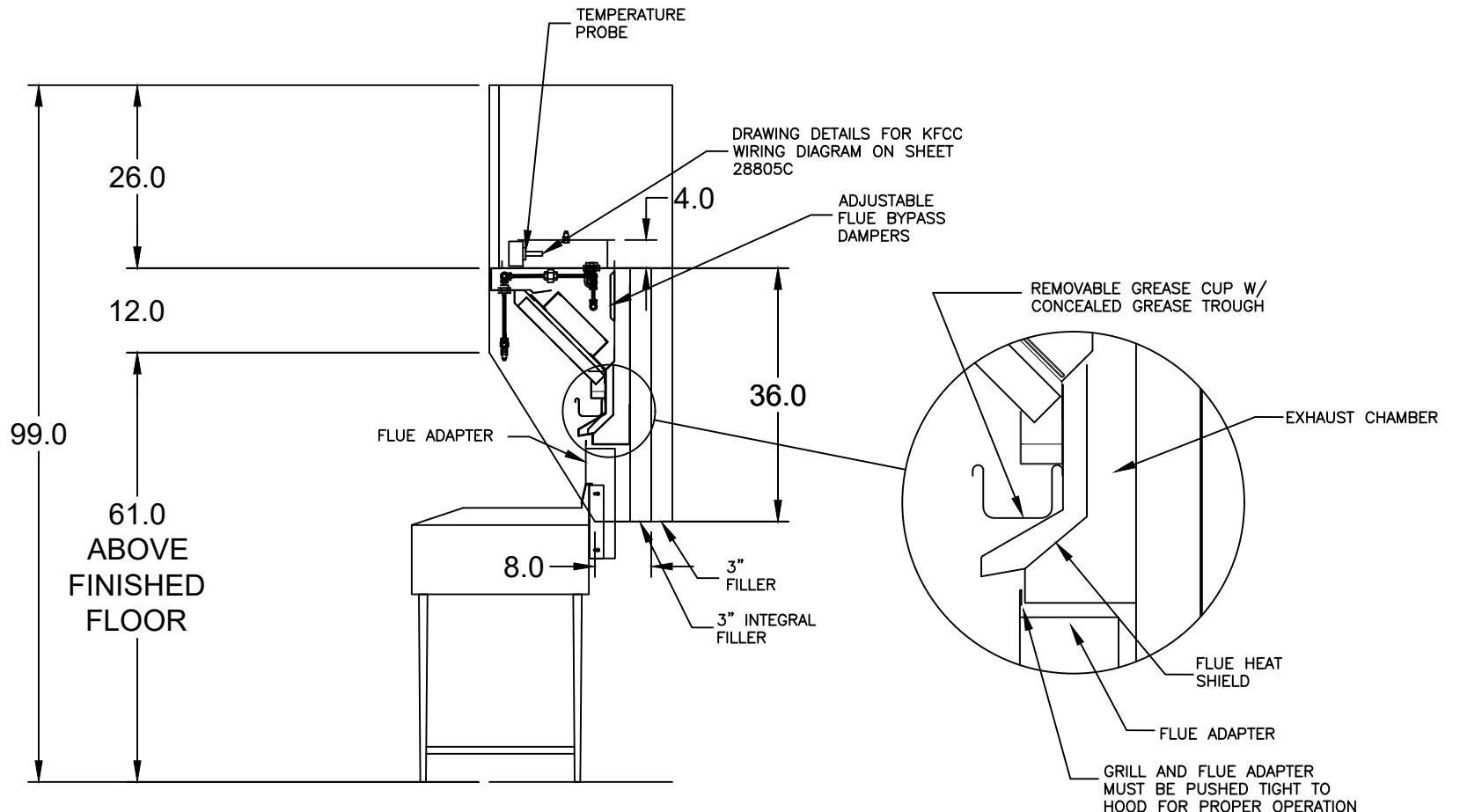


MARK: Griddle Hood - SECTION 1 PLAN VIEW

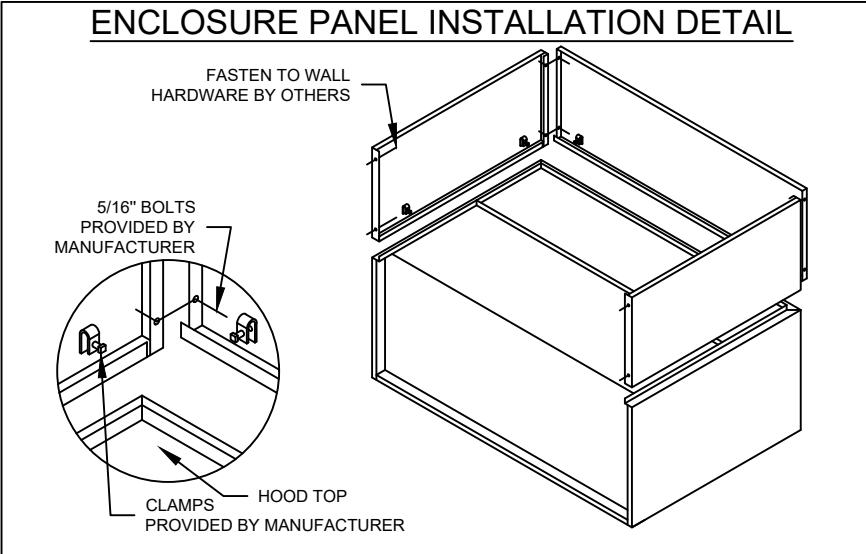
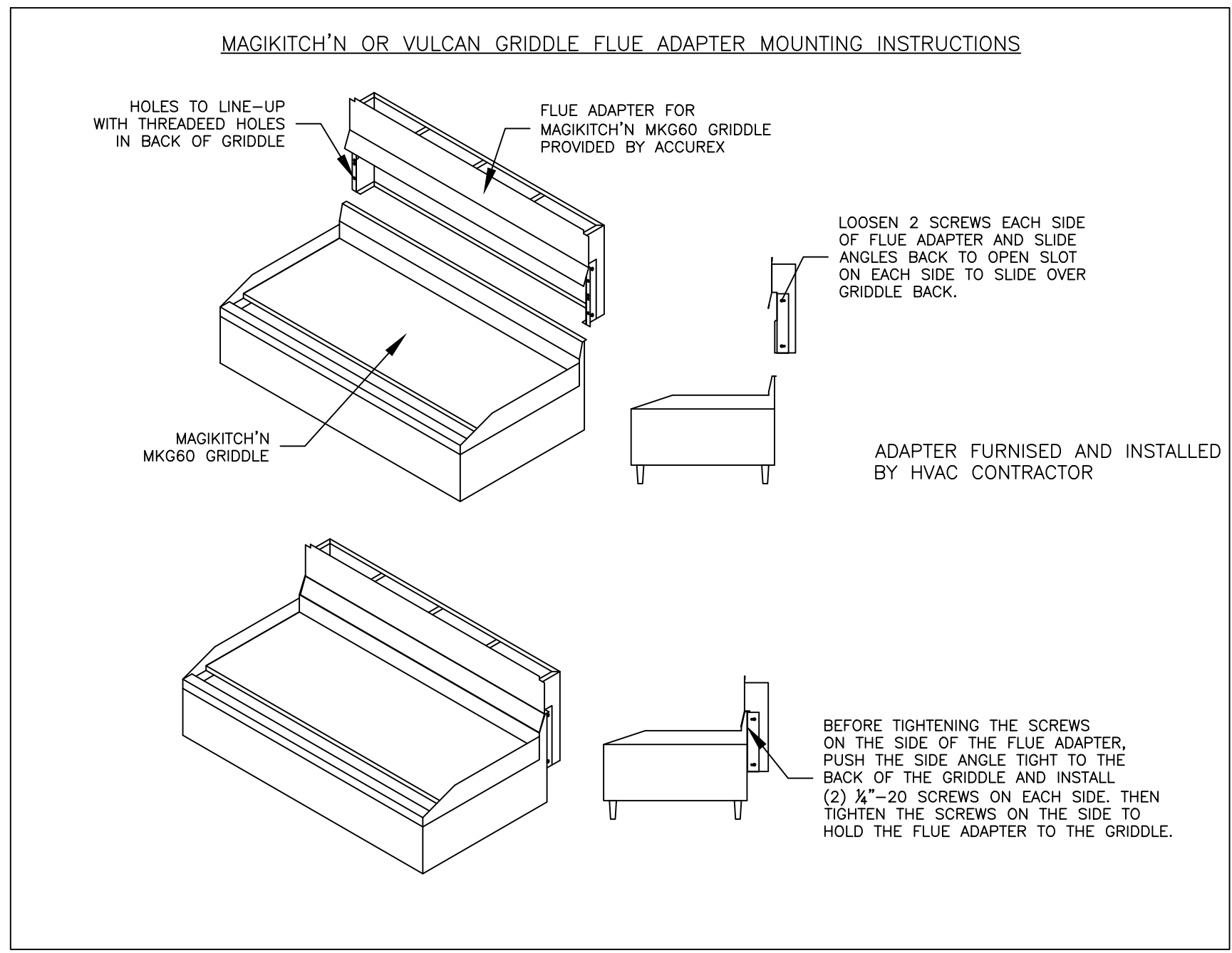
MUST USE WITH MAGIKITCH'N MODEL MKG-C-60 OR VULCAN MODEL VIG60-R3



SECTION 1 ELEVATION VIEW



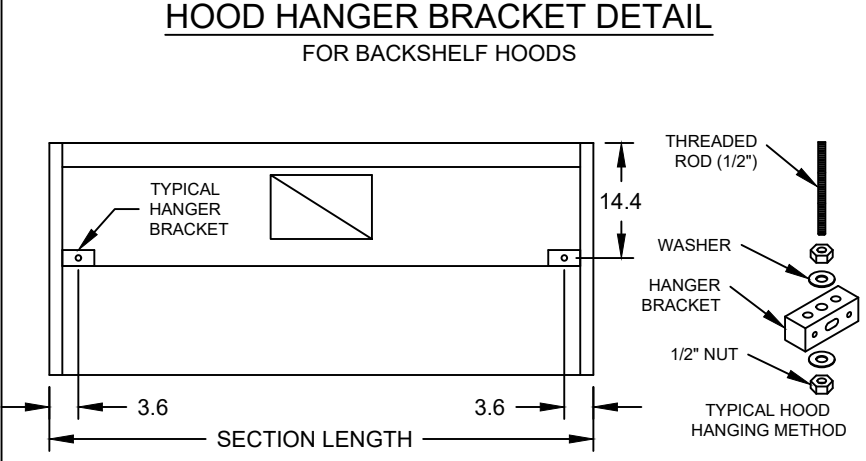
MARK: Griddle Hood SECTION VIEW



**HOOD HANGING HEIGHT FOR FIRE SYSTEMS**  
VERIFICATION OF HOOD HANGING HEIGHT ABOVE FINISHED FLOOR (A.F.F.) IS REQUIRED FOR CORRECT PLACEMENT OF FIRE SYSTEM NOZZLES.

RECOMMENDED HANGING HEIGHT = 61" FROM FINISHED FLOOR TO LOWER FRONT EDGE OF HOOD.

OTHER HANGING HEIGHT = \_\_\_\_\_" FROM FINISHED FLOOR TO LOWER EDGE OF HOOD.



**AMEREX KP (WET CHEMICAL) FIRE PROTECTION SYSTEM - MODEL FSSK**

**CONTROL PANEL**  
1. MRM (MECHANICAL RELEASE MODULE)  
2. NITROGEN ACTUATION CYLINDER  
3. MICROSWITCH

**WIRING DIAGRAMS**  
W/ DPDT MICRO SWITCH  
1. SPDT SWITCHES PROVIDED BY MANUFACTURER MAY BE WIRED PER TYPICAL EXAMPLES SHOWN, VERIFY WITH LOCAL CODES AND EQUIPMENT SUPPLIED AS THE CONNECTION NEEDED FOR YOUR INSTALLATION.

**CONNECTION TO BUILDINGS ALARM**  
2. COOKING EQUIPMENT SHUT DOWN  
3. SHUNT TRIP BREAKER

**CONNECTION TO COOKING EQUIPMENT SHUT DOWN**  
4. SHUNT TRIP BREAKER  
5. POWER TO FIRE SUPPRESSION SYSTEM

**CONNECTION TO FAN SHUT DOWN**  
6. SHUNT TRIP BREAKER  
7. POWER TO FIRE SUPPRESSION SYSTEM

**NOTES:**  
WET CHEMICAL FIRE PROTECTION SYSTEM TO BE AMEREX KP, DESIGNED IN COMPLIANCE WITH UL 300 REQUIREMENTS.  
VERIFICATION OF ALL COOKING EQUIPMENT MAKE, MODEL AND LOCATION REQUIRED FOR ALL FIRE PROTECTION SYSTEMS.  
ALL FIRE SYSTEM PIPING IS STANDARDLY TO THE RIGHT END OF THE HOOD UNLESS A WALL IS LOCATED ON THE RIGHT END.  
-AMEREX MRM/PRM TO BE LOCATED WITHIN 60" OF HOOD.  
THE BASIC FIRE SYSTEM WILL INCLUDE THE FOLLOWING:  
-GAS SHUT-OFF VALVE, IF REQUIRED, TO BE SUPPLIED BY MANUFACTURER (UP TO 2" DIAMETER AS STANDARD), AND INSTALLED BY A LICENSED PLUMBER.  
-MICRO SWITCH TO BE SUPPLIED BY MANUFACTURER FOR CONNECTION TO, BUT NOT LIMITED TO, BUILDING ALARM SYSTEMS, EXHAUST AND SUPPLY FANS AND ELECTRICAL POWER SHUT DOWN, FIELD WIRING AND CONNECTIONS TO BE PERFORMED BY A LICENSED ELECTRICIAN.  
-THREE TRIPS TO THE JOB SITE.  
-ANY STATE OR LOCAL INSTALLATION PERMITS.  
THE BASIC FIRE SYSTEM DOES NOT INCLUDE THE FOLLOWING:  
-FILL DUMP TEST OTHER THAN WHAT IS SPECIFIED PER THE INSTALLATION MANUAL OR TO SATISFY A STATE OR LOCAL CODE.  
-MORE THAN THREE TRIPS TO THE JOB SITE OR SPECIAL TRANSPORTATION OR OVERNIGHT LOGGING REQUIREMENTS IN REMOTE AREAS. NORMAL TRAVEL DISTANCE IS FIRST 50 MI. (80.5 KM) FROM OFFICE.  
-SPECIAL CLASSES OR ADDITIONAL LABOR FOR ACCESS TO SECURITY SENSITIVE AREAS.  
-INSTALLATION OF GAS SHUT-OFF VALVE.  
-SPECIAL DRAWINGS REQUIRED TO SATISFY STATE OR LOCAL CODE.  
-UNION LABOR, GOVERNMENT LABOR, OR PREVAILING WAGES REQUIRED FOR FINAL FIELD HOOD-UP.  
-ANY AND ALL ELECTRICAL COMPONENTS/CONNECTIONS REQUIRED TO SHUT DOWN FANS, SHUT OFF DEVICE FOR ELECTRIC COOKING EQUIPMENT (SHUNT TRIP BREAKER), OR ACTIVATE AN ALARM SYSTEM, ETC.  
-ANY DISMANTLING OR REASSEMBLY REQUIRED TO GAIN ACCESS TO THE FIRE SUPPRESSION PIPING LOCATED ON THE TOP OF THE HOOD.  
-PLAN EXAMINATION FEES, PE OR PFS APPROVAL STAMP.  
-ROUGH-IN CONDUIT FOR REMOTE PULL STATION OR GAS VALVE (FOR FLUSH MOUNTED PULL STATION).  
-INSTALLATION OF MORE THAN (1) REMOTE PULL STATIONS OR DISTANCES GREATER THAN 20 FT (6.1M).  
-PARTS OR LABOR REQUIRED TO CORRECT PIPING DUE TO COOKING EQUIPMENT CHANGES OR DEVIATION FROM PLANS, OR ANY CHARGES FOR MISSING OR ADDITIONAL PARTS OTHER THAN THOSE INDICATED ON THE FIRE SUPPRESSION DETAIL.  
NOTES:  
1. \_\_\_\_\_ DENOTES FIELD INSTALLATION.  
2. \_\_\_\_\_ DENOTES FACTORY INSTALLATION.  
3. GAS VALVE: ALL LISTED ELECTRICALLY-OPERATED SAFETY VALVE PART NUMBERS, SHUT OFF GAS AS NEEDED OR APPROPRIATE PRESSURE AND TEMPERATURE RATING. 1150WVH2 OR AMEREX GAS VALVES. PART NUMBERS: 12761, 12761, 12762, 12763, 12794, 12876, 12877, 12872, 12873, 12874, 12875 AND 12876.

**ACCUREX**

PROJECT: 7/11/2024  
MARK: GRIDDLE HOOD, PRV-2 GRIDDLE FAN, FIRE SUPPRESSION

CULVERS METRO L 2025 (S)

ACCUREX - WI, IA  
PHILLIP KRAFT  
PHILLIP.KRAFT@ACCUREX.COM  
262-227-7865

OWNER: DIAMOND CUSTARD LLC  
400 E Summit Ave  
Wales, WI 53183  
Tony Milazzo, 262-761-5361  
Brandon Davidson, 615-863-4790  
Bobby Maier, 262-515-5653

DATE: 12-11-2024  
Revision: \_\_\_\_\_

© 2025

NEW CULVER'S RESTAURANT  
2701 E Division Street  
Diamond, IL 60416  
County of WILL

OWNER: DIAMOND CUSTARD LLC  
400 E Summit Ave  
Wales, WI 53183  
Tony Milazzo, 262-761-5361  
Brandon Davidson, 615-863-4790  
Bobby Maier, 262-515-5653

GRIDDLE HOOD/EXHAUST SCHEDULE & DETAILS

Date: 12-11-2024  
Revision: \_\_\_\_\_

2024-154  
M202

HOOD NO.	MARK	MODEL	HOOD DIMENSIONS (IN.)			HOOD CONSTR.	COOKING LOAD / DUTY RATING	EXHAUST					SUPPLY		TOTAL WEIGHT LBS.	SECTION LOCATION	
			LENGTH	WIDTH	HEIGHT			TOTAL CFM	COLLAR(S)			MUA CFM	AC CFM				
1	FRYER HOOD	XXEP-83-S	83	TOP 23 BOT 3	FRT 12 BACK 36	430 SS WHERE EXPOSED	MEDIUM	1500	12	12		1500	0.689			169	SINGLE

HOOD NO.	MARK	LIGHTING DETAILS			GREASE FILTRATION DETAILS			UTILITY CABINET(S)				
		FIXTURE TYPE	QTY	FOOT CANDLES	TYPE / MODEL MATERIAL	QTY	SIZE (IN.)	LOCATION	FIRE SYSTEM TYPE	SIZE	MODEL	CONTROLS INTERFACE
1	FRYER HOOD				X-TRACTOR (SPARK ARRESTOR INCL.)	5	16					
					STAINLESS STEEL	0	20	16				

**HOOD OPTIONS**

UL 710 LISTED W/ OUT EXHAUST FIRE DAMPER - UL #R25625  
 BACK NON-INTEGRAL AIR SPACE - 3 IN WIDE  
 26 IN HIGH CEILING ENCLOSURES - FRONT LEFT RIGHT - FIELD INSTALLED  
 FACTORY MOUNTED EXHAUST COLLAR(S)  
 PERFORMANCE ENHANCING LIP (PEL) TECHNOLOGY  
 STANDING SEAM CONSTRUCTION FOR SUPERIOR STRENGTH

**SPECIAL DESIGN REQUESTS**

SDR #K1100559 - NEW PITCO 4L FRYER FLUE BYPASS SYSTEM  
 SDR #K1700974 - CULVERS 4VAT 2FIRE PROCESS - FRYER HOOD  
 SDR #K2000140 - IF FRYMASTER FRYER FLUE BYPASS

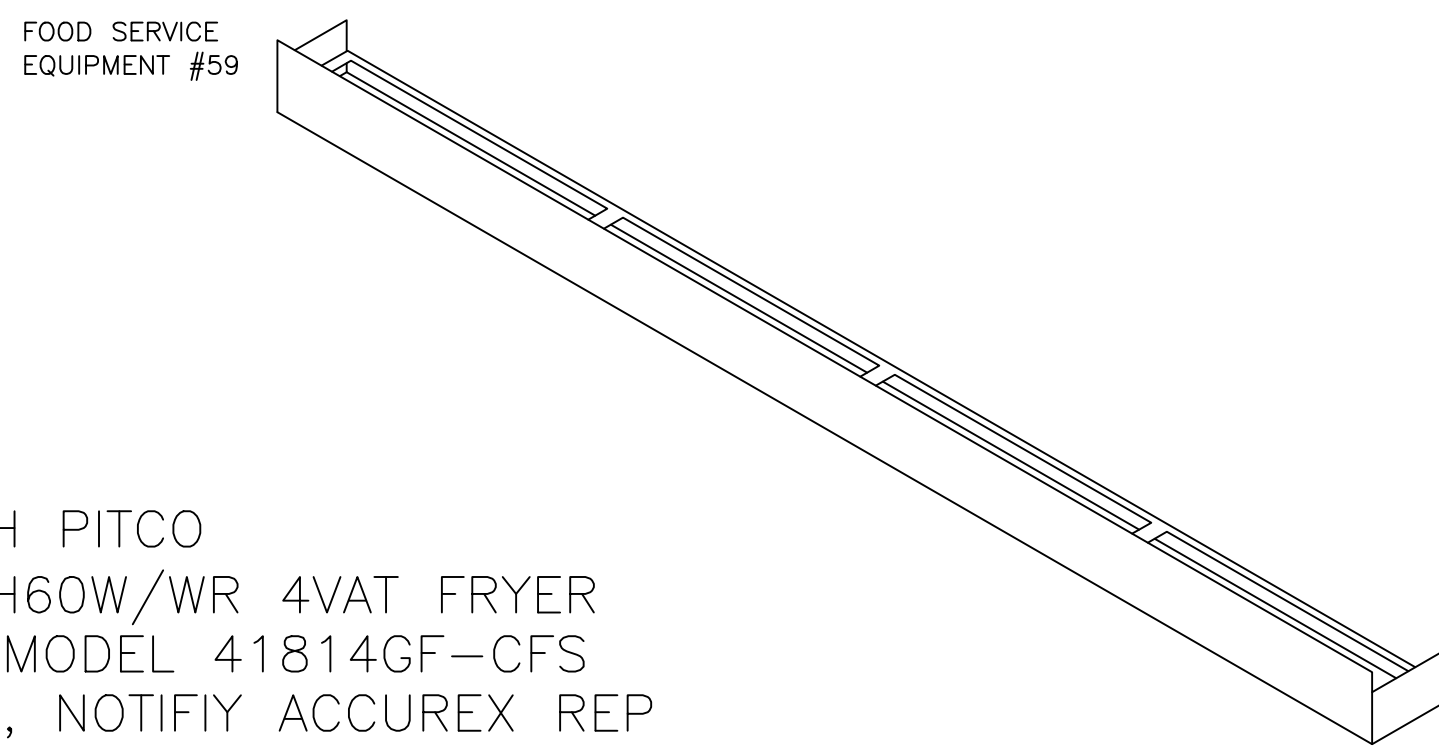
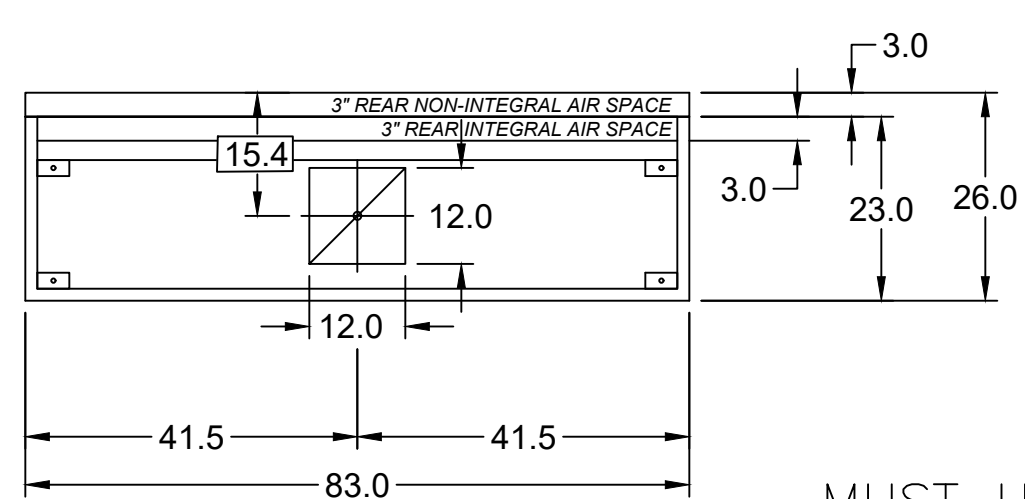
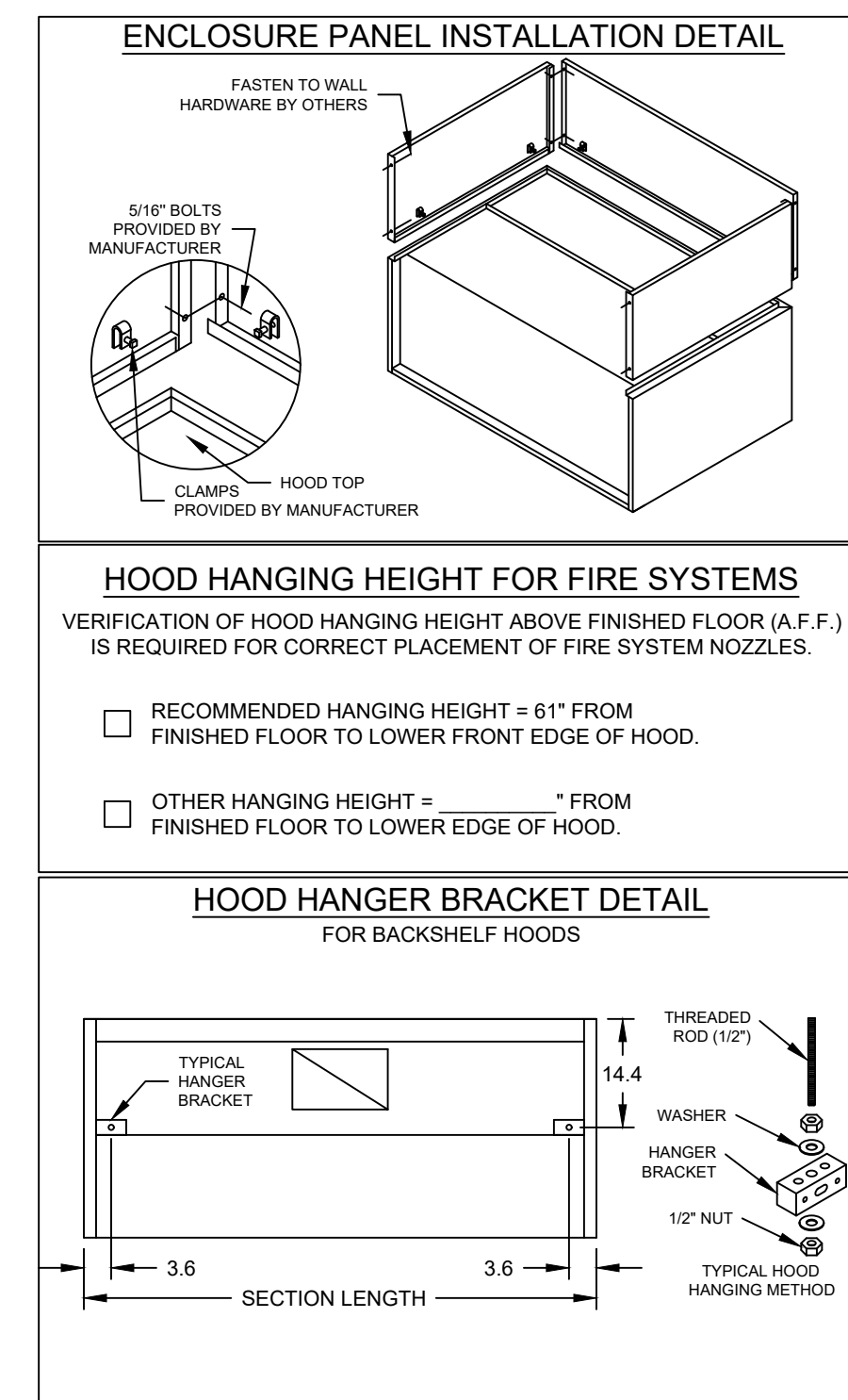
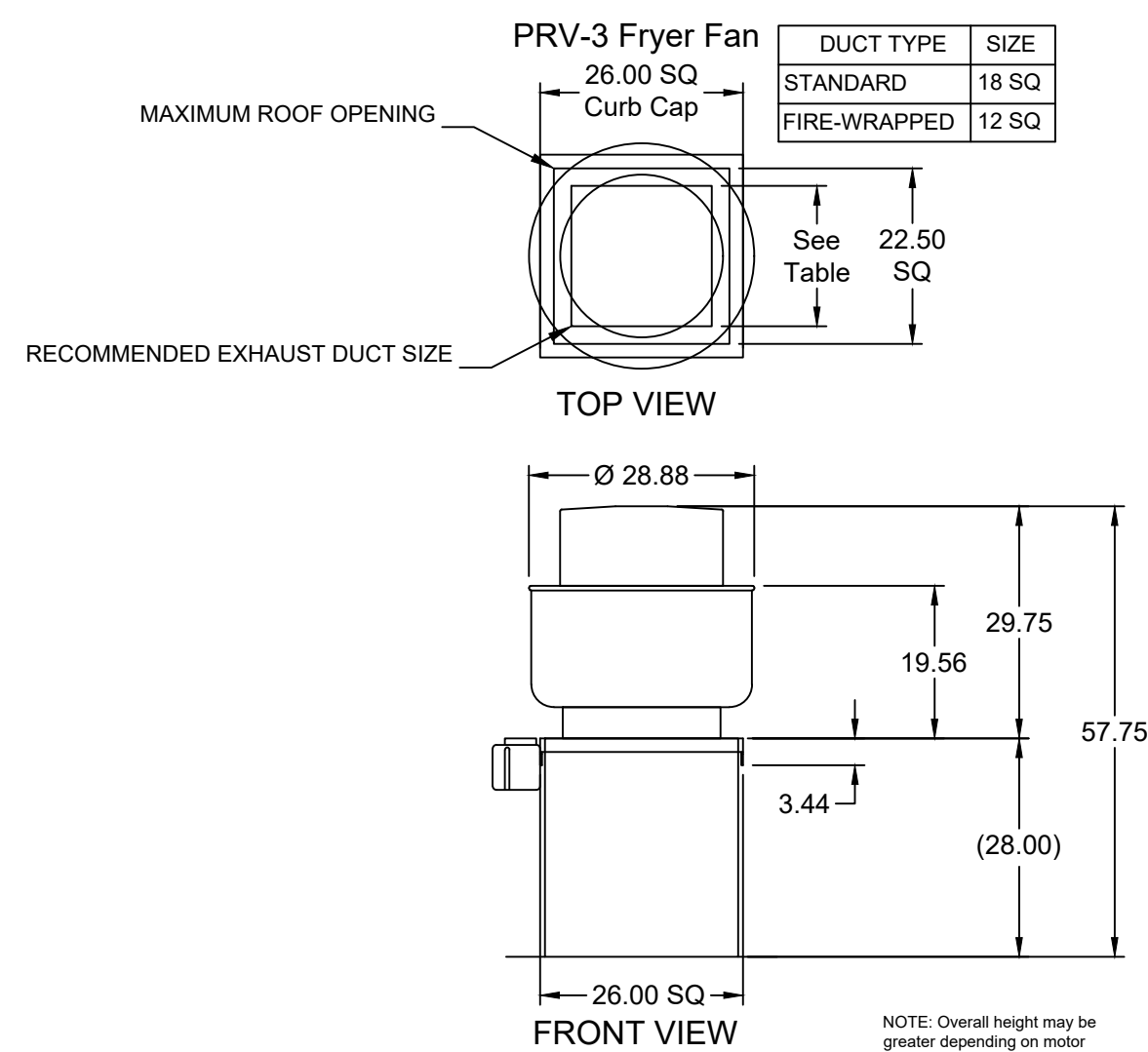
Direct Drive Upblast Centrifugal Roof Exhaust Fan

MARK INFORMATION		FAN INFORMATION						MOTOR INFORMATION					
QTY	MARK	MODEL	VOLUME (CFM)	TOTAL EXTERNAL SP (IN WG)	FAN RPM	OPERATING POWER (HP)	WEIGHT (LB.)	SIZE (HP)	V/C/P	ENCLOSURE	MOTOR RPM	WINDINGS	NEC FLA*
1	PRV-3 Fryer Fan	XCUE-140-VG	1,500	1	1,365	0.46	92	1	115/60/1	OP	1725	1	16

\*NEC FLA - Based on table 430.250 or 430.248 of National Electrical Code 2020. Actual motor FLA may vary for sizing thermal overload, consult factory\*

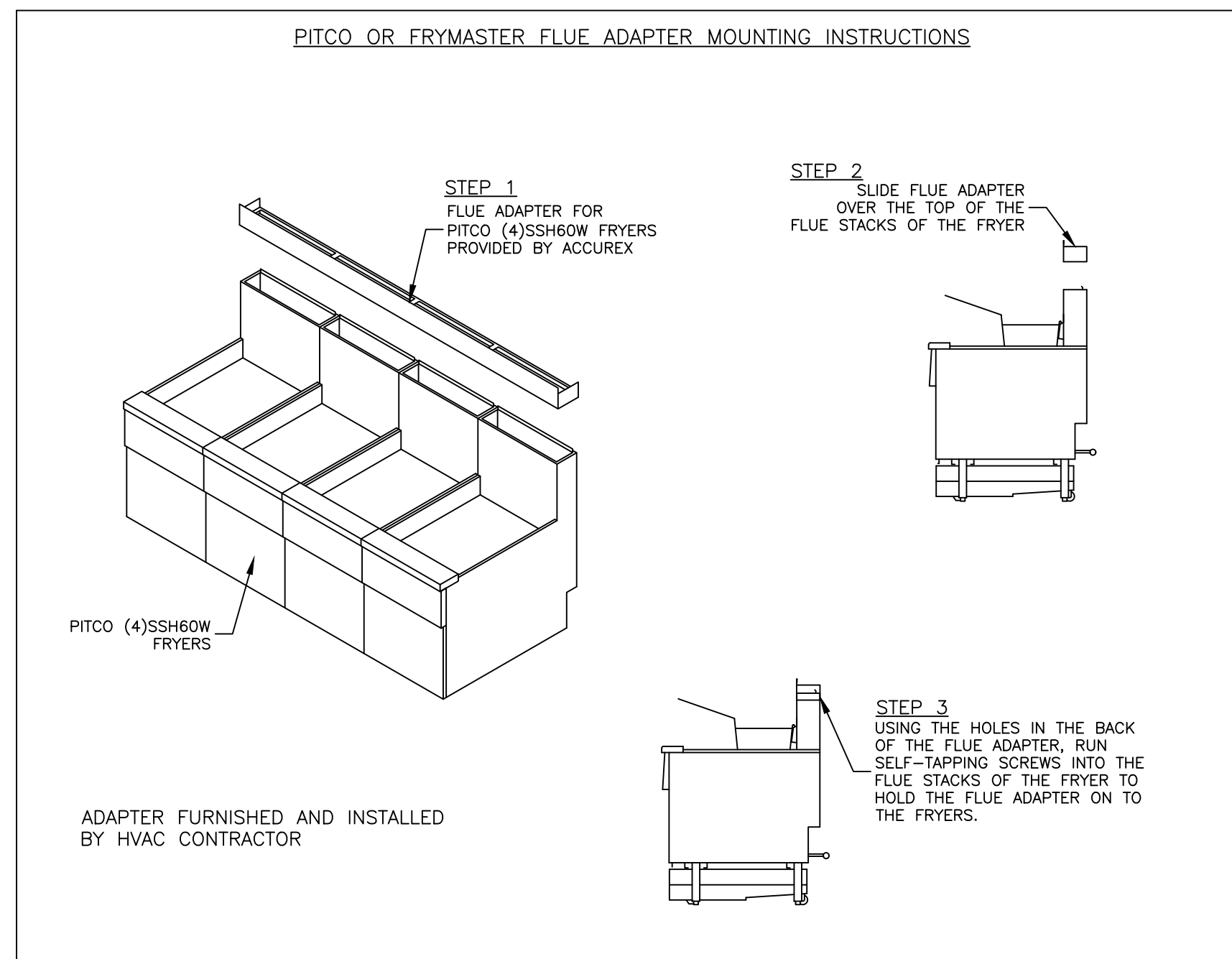
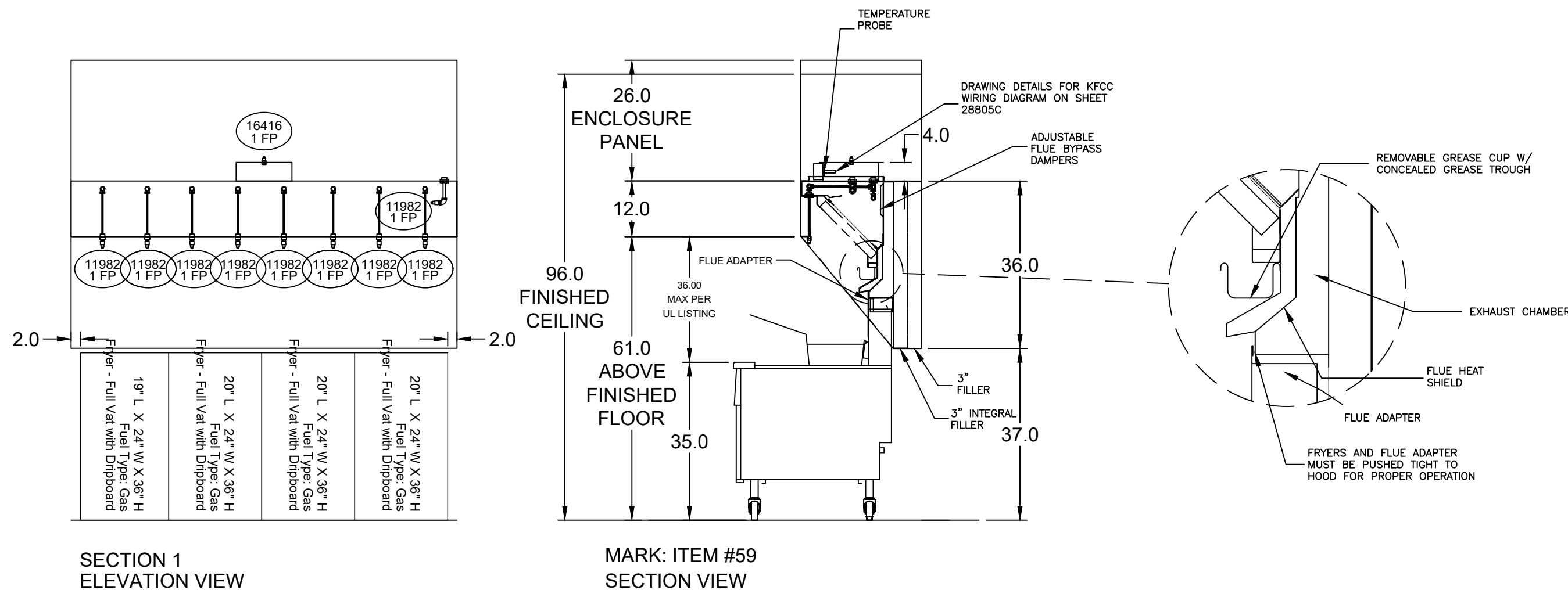
**PRV-3 Fryer Fan : SELECTED OPTIONS AND ACCESSORIES**

One piece fully welded windband  
 Tapered bushing wheel hub  
 Breather tube outlet area min. 4.4 sq. in. (sizes 99-480), 2.0 sq. in. (sizes 60-95)  
 Min. windband material thickness: 0.051" aluminum (060-240), 0.064" aluminum (240HP, 240XP), 0.080" aluminum (sizes 300-480)  
 Larger Curb Cap Size - 26 Square  
 UL/CUL 705 Listed - Supplement SC - "Power Ventilators for Restaurant Exh. Appliances" (Formerly UL 762)  
 Switch, NEMA-3R, Toggle,  
 Hinge, Factory Installed  
 High Temp Curb Seal Rated for Continuous Duty at 1500 F (Factory Attached)  
 Grease Trap (PN 475538)  
 Clean-out Port - Factory Installed  
 Conduit Chase Qty 1



MUST USE WITH PITCO MODEL CU-SSH60W/WR 4VAT FRYER IF FRYMASTER MODEL 41814GF-CFS IS BEING USED, NOTIFY ACCUREX REP

PITCO MODEL CU-SSH60W/WR 4-VAT FRYER FLUE ADAPTER OR FRYMASTER MODEL 41814GF-CFS



**ACCUREX**

PROJECT 7/11/2024  
MARK  
CULVERS METRO L 2025 (S)

ACCUREX - WI, IA  
PHILLIP KRAFT  
PHILLIP.KRAFT@ACCUREX.COM  
262-227-7865



FRYER HOOD  
PRV-3 FRYER FAN

OWNER:  
DIAMOND CUSTARD LLC  
400 E Summit Ave  
Wales, WI 53183  
Tony Milazzo, 262-761-5381  
Brandon Davidson, 815-863-4790  
Bobby Maier, 262-515-5683

ARCHITECTS  
OLLMANN ERNEST MARTIN ARCHITECTS  
200 South State Street  
Belvidere Illinois 61008  
815-544-7190 Phone  
© OEMA. All rights reserved. Any copying, transmission or disclosure subject to OEMA written approval.

FRYER HOOD/EXHAUST  
SCHEDULE & DETAILS

Date: 12-11-2024

Revision:

2024-154

M203

NEW CULVER'S RESTAURANT  
2701 E Division Street  
Diamond, IL 60416  
County of WILL

© 2025

Direct Drive Centrifugal Roof Exhaust Fan

MARK INFORMATION			FAN INFORMATION					MOTOR INFORMATION					
QTY	MARK	MODEL	VOLUME (CFM)	TOTAL EXTERNAL SP (IN WG)	FAN RPM	OPERATING POWER (HP)	WEIGHT (LB.)	SIZE (HP)	V/C/P	ENCLOSURE	MOTOR RPM	WINDINGS	NEC FLA*
1	PRV-1 Restroom	XRED-090-VG	300	0.5	1,466	0.06	31	0.1	115/60/1	TN	1725	1	NA

\*NEC FLA - Based on table 430.250 or 430.248 of National Electrical Code 2020. Actual motor FLA may vary for sizing thermal overload, consult factory"

PRV-1 Restroom : SELECTED OPTIONS AND ACCESSORIES	
Standard Curb Cap Size - 17 Square	
UL/cUL 705 Listed - "Power Ventilators"	
Switch, NEMA-1, Toggle, Shipped with Unit	
Damper Shipped Loose, BD-100-PB-10X10, Gravity Operated, Not Coated, Nominal Size	
Birdscreen: Galvanized, nom. 84% Free Area	
Composite Wheel Material	

Ceiling Exhaust Fan

MARK INFORMATION			FAN INFORMATION					MOTOR INFORMATION					
QTY	MARK	MODEL	VOLUME (CFM)	TOTAL EXTERNAL SP (IN WG)	FAN RPM	OPERATING POWER (HP)	WEIGHT (LB.)	SIZE (HP)	V/C/P	ENCLOSURE	MOTOR RPM	WINDINGS	
2	EF-1A	XCR-B80	75	0.125	881	0.01	10	0	115/60/1	OP	900	1	

EF-1A : SELECTED OPTIONS AND ACCESSORIES	
UL/cUL 507 Listed - Electric Fan	
Solid State Speed Control, 6 Amp, Mounted and Wired Internally	
Round Hooded Wall Cap, (PN: WC-6) Shipped Loose	
Round Duct Connection	
Adjustable easy installation mounting bracket	
Standard Grille	
Polypropylene Wheel Material	
Can Be Used to Comply with: ASHRAE 62.2 and Washington State Energy Code	

CONTROL INFORMATION

MARK	ELECTRICAL CONTROL PACKAGE			USER INTERFACE		
	MODEL	LOCATION	TYPE	LOCATION		
CONTROLS	XKC-CV-S-22-2-1-0	SHIP LOOSE ENCLOSURE	FULL COLOR TOUCHSCREEN	SHIP LOOSE		

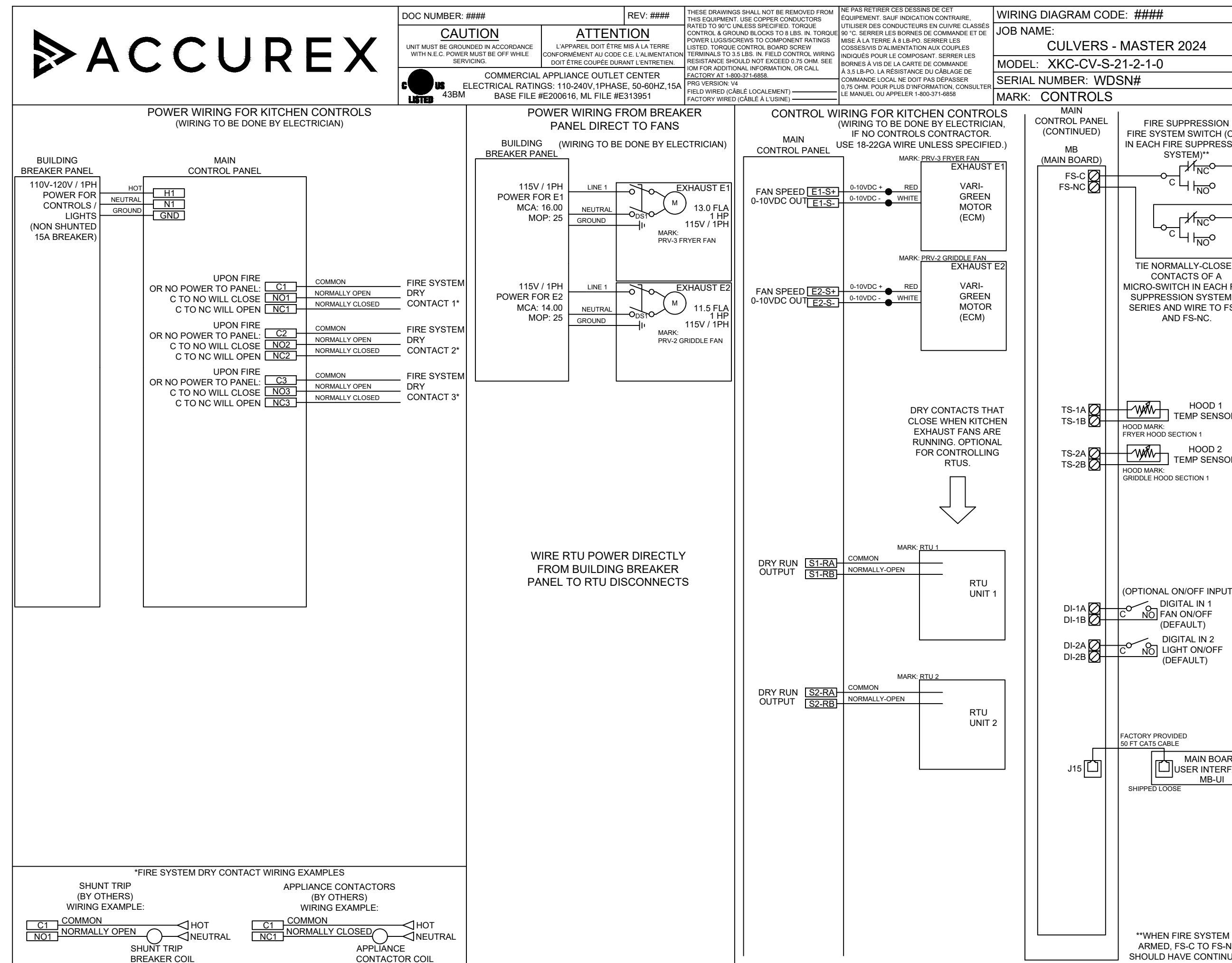
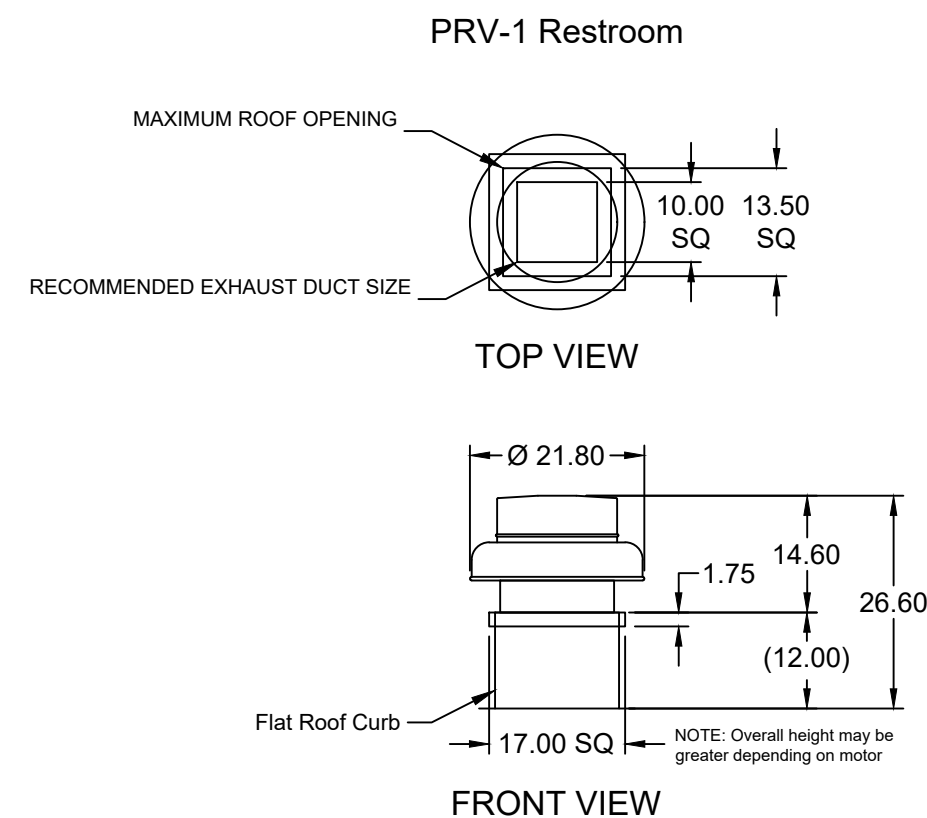
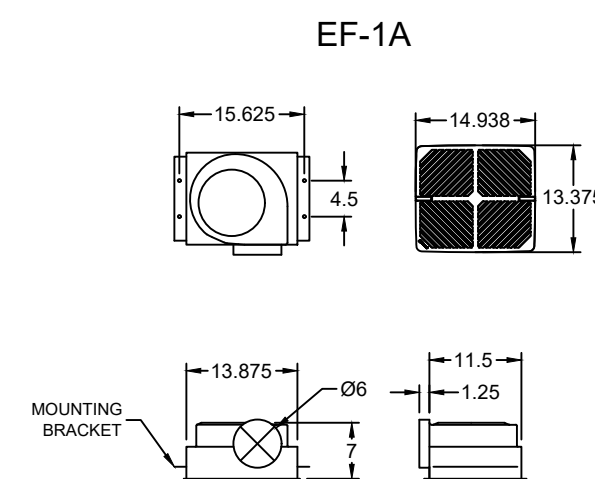
FANS CONTROLLED											
FAN #	TYPE	FAN	FAN MARK	ZONE	CFM	MOTOR HP	MOTOR VOLT	CYCLE	MOTOR PHASE	MOTOR STARTER IN PANEL	VFD IN PANEL
1	SUPPLY	S1	RTU-1	1	1500	1	208	60	3	NO	NO
2	SUPPLY	S2	RTU-2	2	1500	1	208	60	3	NO	NO
3	EXHAUST	E1	PRV-2 GRIDDLE FAN	2	1500	1	115	60	1	NO	NO
4	EXHAUST	E2	PRV-3 FRYER FAN	1	1500	1	115	60	1	NO	NO

CONTROL FEATURES

TEMP SENSORS (FACTORY INSTALLED) - QTY. 2  
 DRY FIRE CONTACTS - QTY. 2  
 EXHAUST MAX DURING FIRE  
 SUPPLY OFF DURING FIRE

SPECIAL DESIGN REQUESTS

SDR #K2000462 - CULVERS CONTROL PANEL - EXTRA SET OF FIRE CONTACTS - REVISE WIRING DIAGRAMS



ACCUREX

PROJECT 7/11/2024  
 ACCUREX - WI, IA  
 PHILLIP KRAFT  
 PHILLIP.KRAFT@ACCUREX.COM  
 262-227-7865  
 CULVERS METRO L 2025 (S)  
 MARK  
 CONDENSATE HOOD  
 PRV-4 CONDENSATE FAN  
 PRV-1 RESTROOM FAN  
 EF-1A  
 CONTROLS  
 UL NSF  
 LISTED

© 2025

**FAN SCHEDULE & DETAILS**

M204

Date: 12-11-2024  
 Revision:

OWNER: DIAMOND CUSTARD LLC  
 400 E Summit Ave  
 Wales, WI 53183  
 Tony Milazzo, 262-761-5381  
 Brandon Davidson, 815-863-4790  
 Bobby Maier, 262-515-5683

NEW CULVER'S RESTAURANT  
 2701 E Division Street  
 Diamond, IL 60416  
 County of WILL