

FOR QUESTIONS, CALL THE
Dallas Office
REGION 45
PHONE: (214) 220 - 3999
EMAIL: reg45@captiveaire.com

PATENT NUMBERS
EXHAUST HOODS ND-2/BD-2/SND-2 (CANADA) - CA PATENT 2520435 C.

HOOD INFORMATION - JOB#7569549

HOOD NO	TAG	MODEL	MANUFACTURER	LENGTH	MAX COOKING TEMP	TYPE	APPLIANCE DUTY	DESIGN CFM/FT	TOTAL EXH CFM	EXHAUST PLENUM RISER(S)				HOOD CONSTRUCTION	HOOD CONFIG				
										WIDTH	LENG	HEIGHT	DIA		CFM	VEL	SP	END TO END	ROW
1		6630 ND-2	CAPTIVEAIRE	9' 0"	600 DEG	I	HEAVY	200	1800			4'	14'	1800	1684	-0.666'	430 SS WHERE EXPOSED	ALONE	FRONT
2		6030 ND-2	CAPTIVEAIRE	9' 0"	600 DEG	I	HEAVY	225	2025			4'	14'	2025	1894	-0.843'	430 SS WHERE EXPOSED	ALONE	BACK
3		4230 VHB-G	CAPTIVEAIRE	3' 6"	700 DEG	II	N/A	150	525			4'	10'	525	963	-0.069'	430 SS 100%	ALONE	ALONE

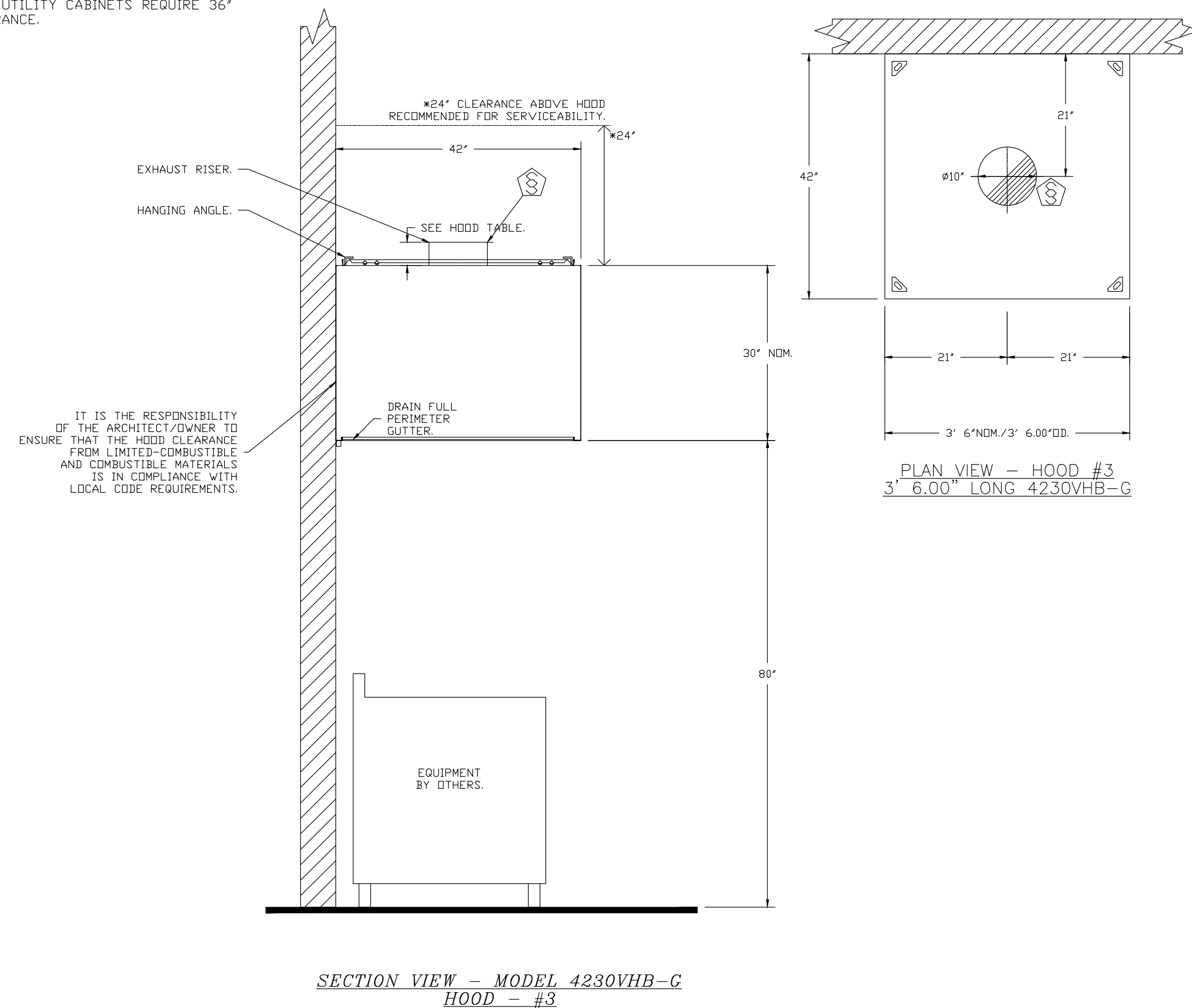
HOOD INFORMATION

HOOD NO	TAG	FILTER(S)				LIGHT(S)				UTILITY CABINET(S)			FIRE SYSTEM PIPING	HOOD HANGING WEIGHT				
		TYPE	QTY	HEIGHT	LENGTH	EFFICIENCY @ 7 MICRONS	QTY	TYPE	WIRE GUARD	LOCATION	SIZE	FIRE SYSTEM			SIZE	ELECTRICAL	MODEL #	SWITCHES
1		CAPTRATE SLDL FILTER	6	20"	16"	85% SEE FILTER SPEC	3	RECESSED ROUND	NO	LEFT	12"x66"x30"	TANK FS	4.0/4.0/4.0/4.0	DCV-2111	1 LIGHT	1 FAN	YES	1017 LBS
2		CAPTRATE SLDL FILTER	6	20"	16"	85% SEE FILTER SPEC	3	RECESSED ROUND	NO	RIGHT	12"x60"x30"						YES	550 LBS
3							0										NO	145 LBS

CLEARANCE TO COMBUSTIBLES

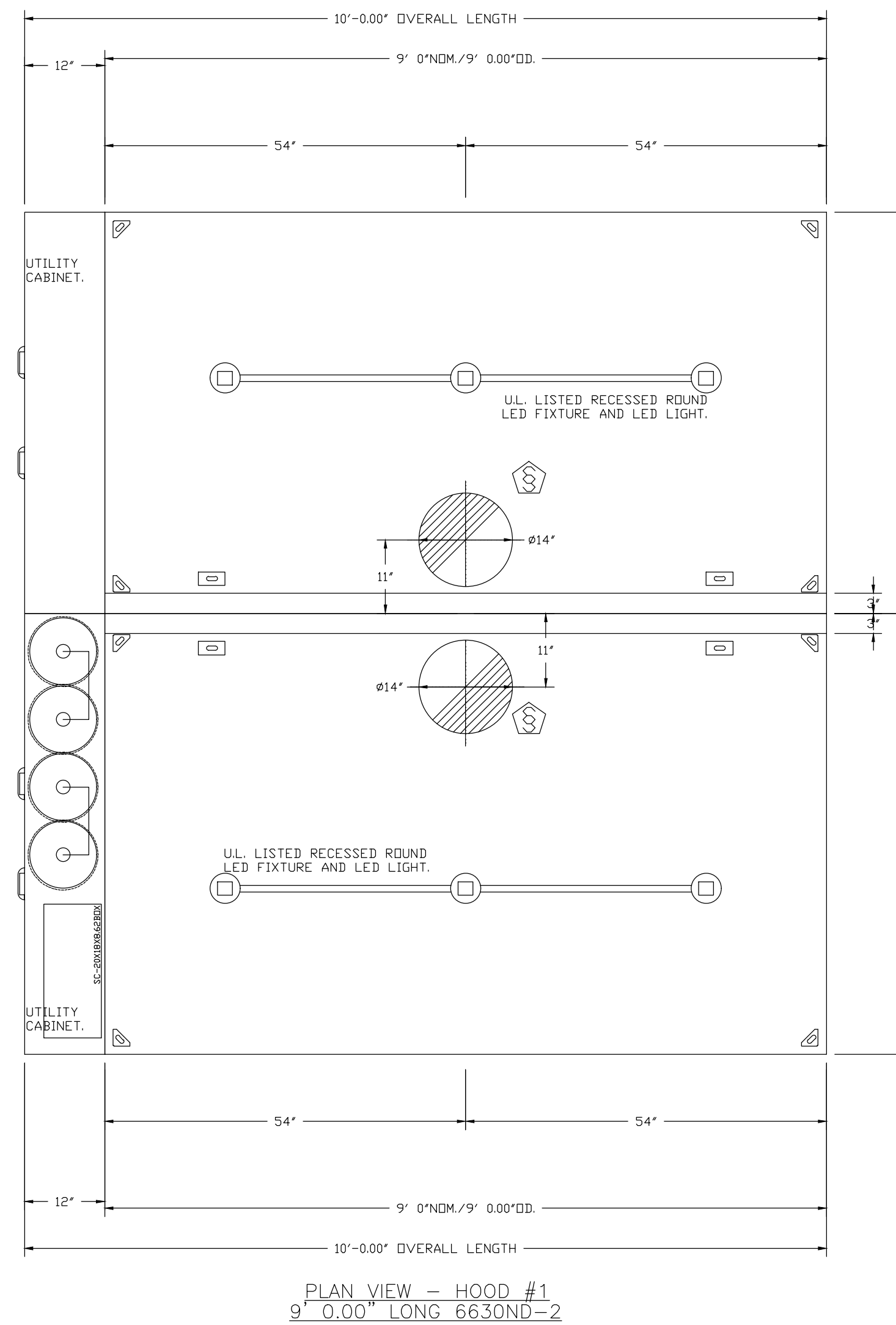
HOODS #	SURFACE	*CLEARANCE
1	TOP	18"
	FRONT	0"
	BACK	18"
	LEFT	0"
2	RIGHT	18"
	TOP	18"
	FRONT	0"
	BACK	18"
	LEFT	18"
	RIGHT	0"

- *0" CLEARANCE TO COMBUSTIBLES CONFORMS TO UL710 STANDARD.
- HOOD MOUNTED UTILITY CABINETS REQUIRE 36" SERVICE CLEARANCE.

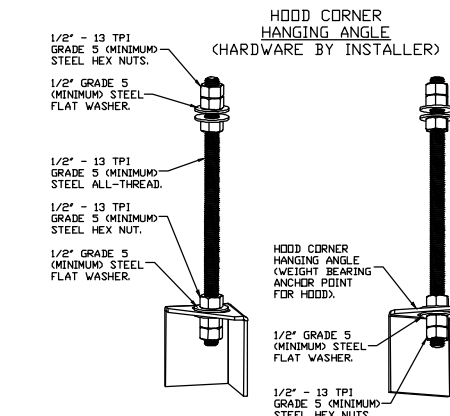


PLAN VIEW - HOOD #3
3' 6.00" LONG 4230VHB-G

PLAN VIEW - HOOD #2
9' 0.00" LONG 6030ND-2



PLAN VIEW - HOOD #1
9' 0.00" LONG 6630ND-2



ASSEMBLY INSTRUCTIONS
HANGING ANGLE MUST BE SUPPORTED WITH 1/2" - 13 TPI GRADE 5 MINIMUM ALL-THREAD SANDWICH HANGING ANGLES AND CEILING ANCHOR POINTS WITH 1/2" GRADE 5 MINIMUM STEEL FLAT WASHERS AND 1/2" - 13 TPI GRADE 5 MINIMUM HEX NUTS AS SHOWN. MUST USE DOUBLED HEX NUT CONFIGURATION BENEATH HOOD HANGING ANGLES AND ABOVE CEILING ANCHORS MAINTAIN 1/4" OF EXPOSED THREADS BENEATH BOTTOM HEX NUT. TORQUE ALL HEX NUTS TO 57 FT-LBS.

REVISIONS

NO.	DESCRIPTION	DATE

CAPTIVEAIRE
Dallas Office
1901 Royal Lane Suite 101, DALLAS, TX, 75229 PHONE: (214) 220 - 3999 FAX: 2142000099 EMAIL: reg45@captiveaire.com

Shell Shack Arlington D0AS
Arlington, TX, 76001

DATE: 6/9/2025
DWG.#: 7569549
DRAWN BY: DJL-45
MASTER DRAWING

SHEET NO. 1

ARCHITECT
CIVITARESE | MORGAN ARCHITECTURE
3341 REGENT BLVD. SUITE 130-321
IRVING, TEXAS 75063
TEL: 214-613-0680 FAX: 469-730-3341

ENGINEER:
The Roberts Group PSC
239-C Southland Drive - Lexington, KY 40503
859-276-2006 / 859-276-2901 Facsimile
ENGINEER BUSINESS REGISTRATION #F-3328

SEAL

07-08-2025
ARCHITECTURAL PROJECT NO.: 115-01

SHELL SHACK
4000 FIVE POINTS BLVD.
SUITE 101
ARLINGTON, TX 76018

NO.	REVISIONS	DATE

TENANT REVIEW ISSUE DATE: 07.08.25
LANDLORD REVIEW ISSUE DATE: 07.08.25
PERMIT ISSUE DATE: 07.08.25
BID ISSUE DATE: 07.08.25
CONSTRUCTION ISSUE DATE: XX.XX.25

DRAWING TITLE:
MECHANICAL KITCHEN HOODS AND FANS
DRAWING NUMBER:
M5.0

ISSUED FOR PERMIT 07/08/2025



CIVITARESE | MORGAN
ARCHITECTURE

3341 REGENT BLVD. SUITE 130-321
IRVING, TEXAS 75063

TEL: 214-613-0680 FAX: 469.730.3341

ENGINEER:

The Roberts Group PSC

239-C Southland Drive - Lexington, KY 40503
859-276-2006 / 859-276-2901 Facsimile

ENGINEER BUSINESS REGISTRATION #F-3328

SEAL



07-08-2025

ARCHITECTURAL PROJECT NO.: 115-01



4000 FIVE POINTS BLVD.
SUITE 101
ARLINGTON, TX 76018

NO.	REVISIONS:	DATE:

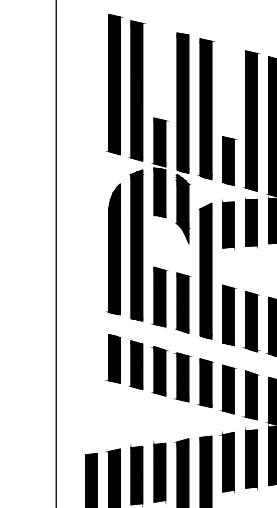
TENANT REVIEW ISSUE DATE: 07.08.25
 LANDLORD REVIEW ISSUE DATE: 07.08.25
 PERMIT ISSUE DATE: 07.08.25
 BID ISSUE DATE: 07.08.25
 CONSTRUCTION ISSUE DATE: XX.XX.25

DRAWING TITLE:
**MECHANICAL
KITCHEN HOODS
AND FANS**

DRAWING NUMBER:

M5.1

REVISIONS	DESCRIPTION	DATE:



CAPTIVE
Dallas Office

1901 Royal Lane Suite 101, DALLAS, TX 75229 PHONE: (214) 220 - 3999 FAX: 2142200099 EMAIL: rsg4@captive.com

Shell Shack Arlington DOAS
Arlington, TX, 76001

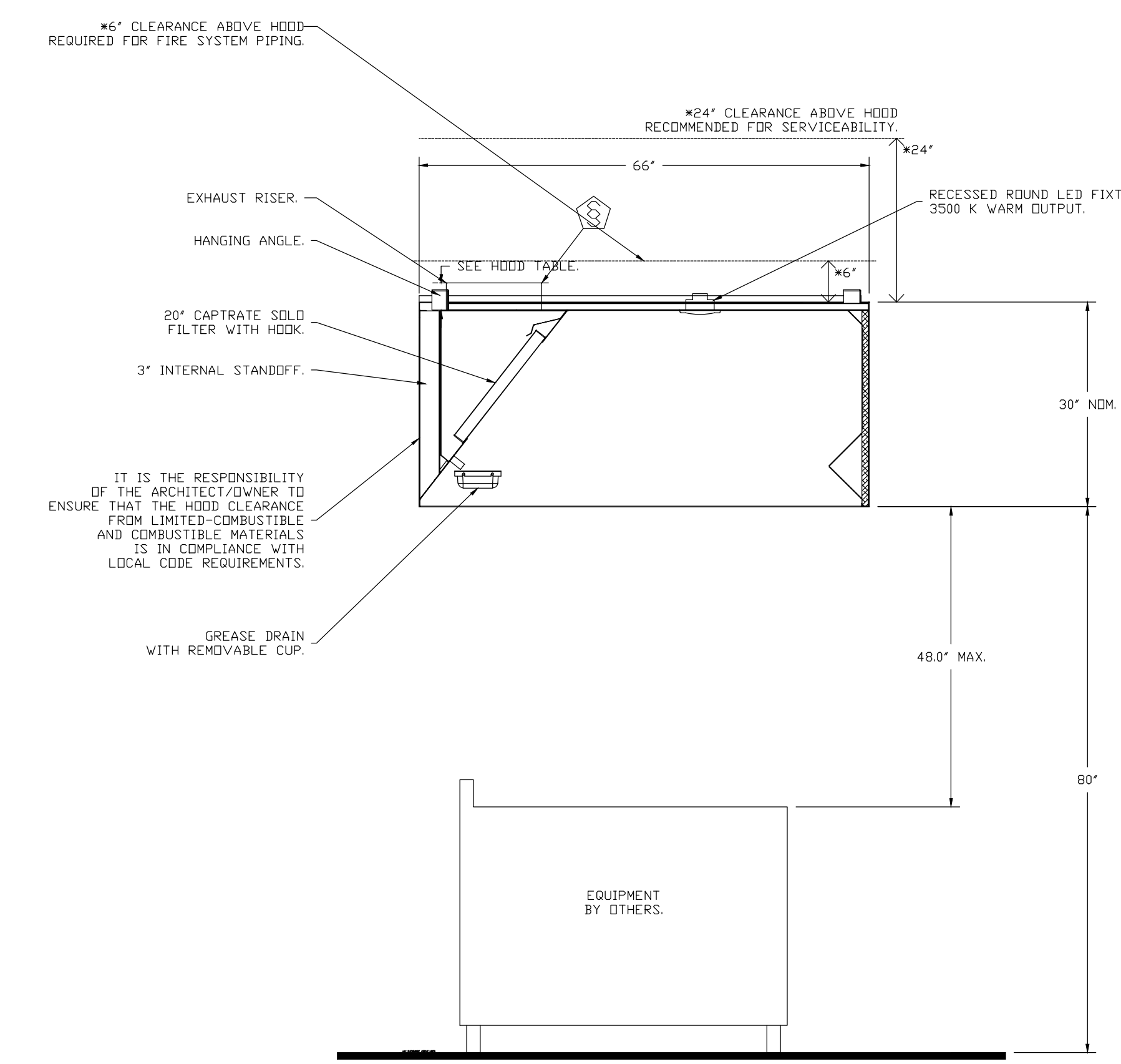
DATE: 6/9/2025

DWG.#:
7569549

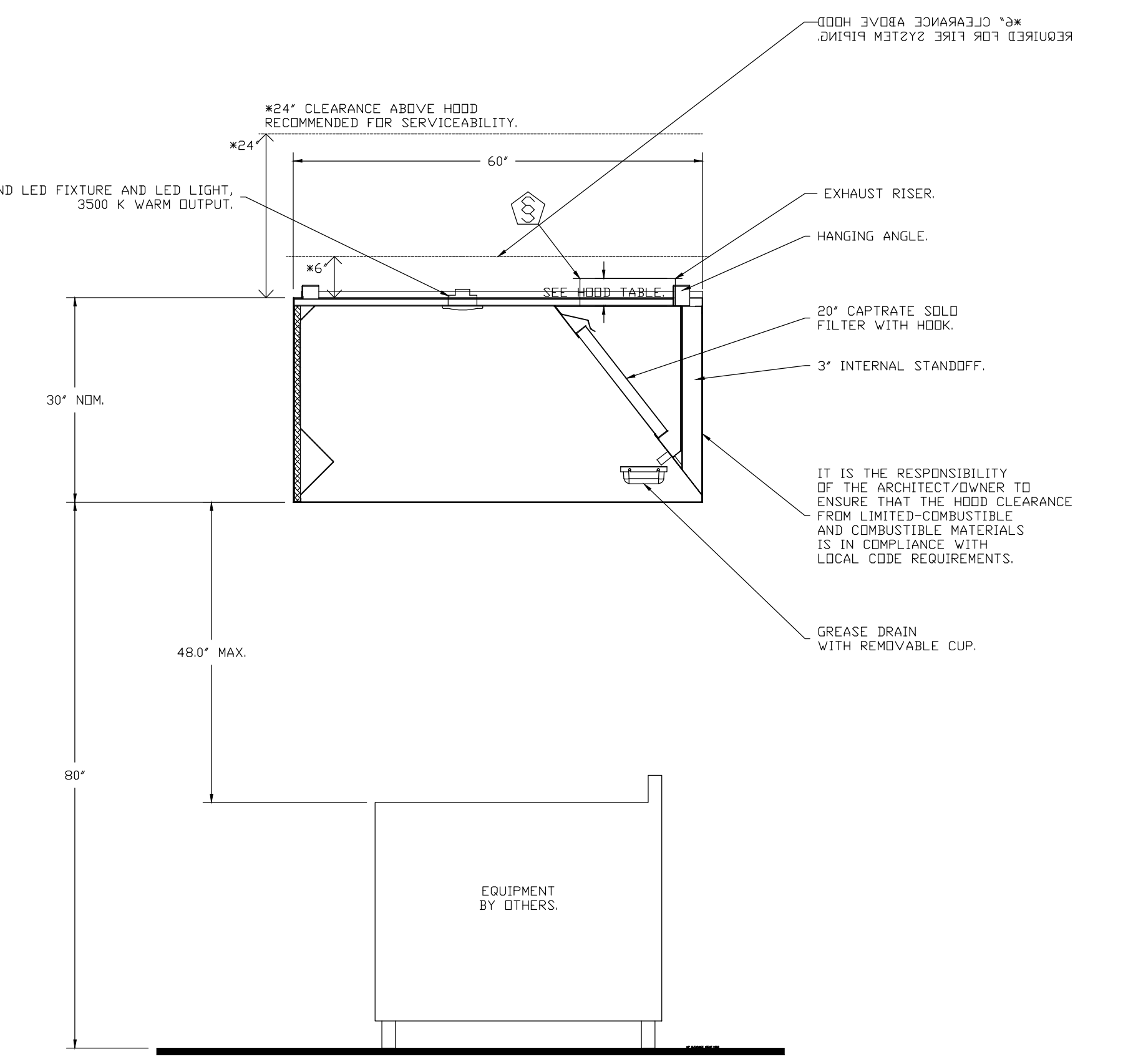
DRAWN BY: DJL-45

MASTER DRAWING

SHEET NO.
2

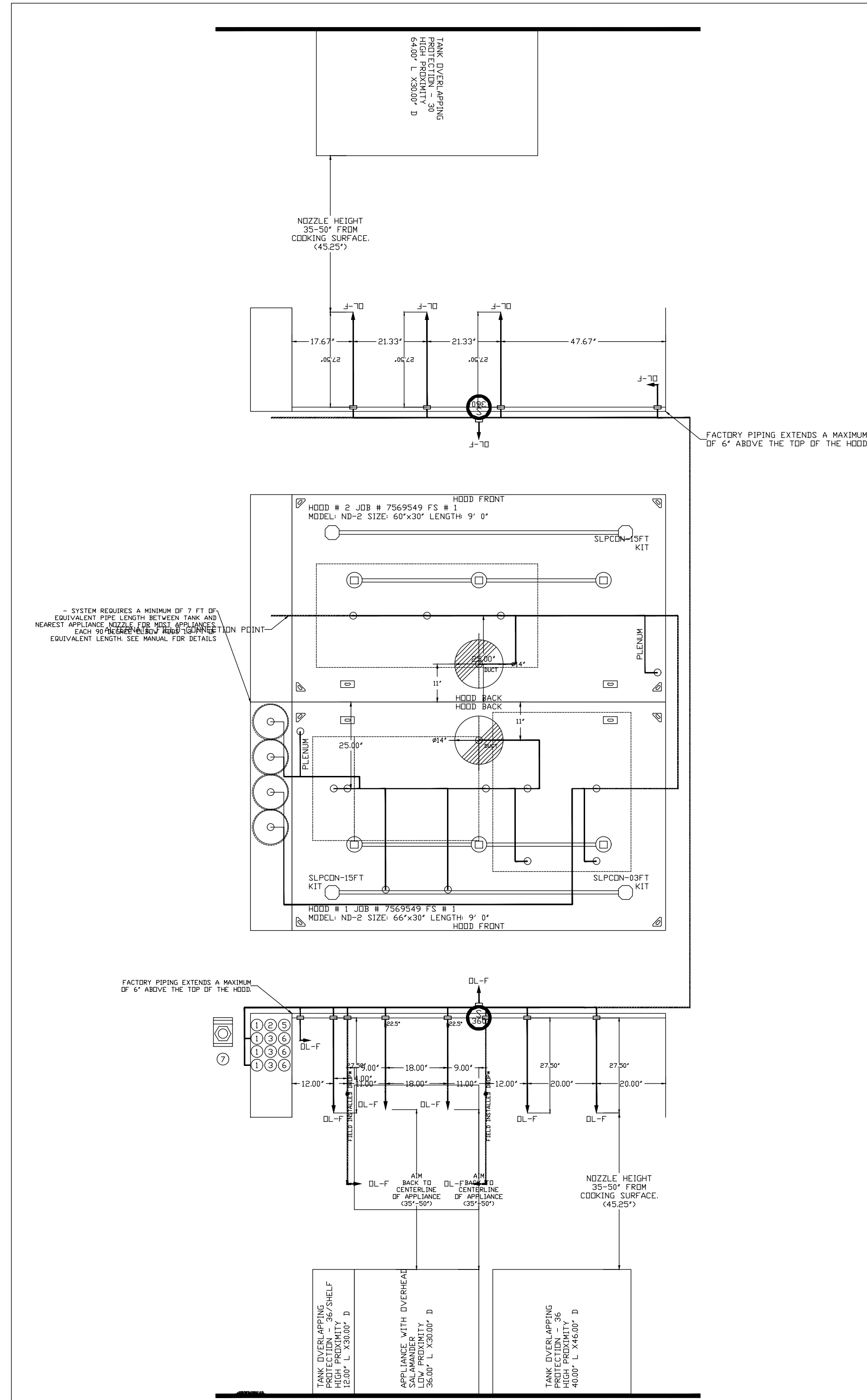


SECTION VIEW - MODEL 6630ND-2
HOOD - #1

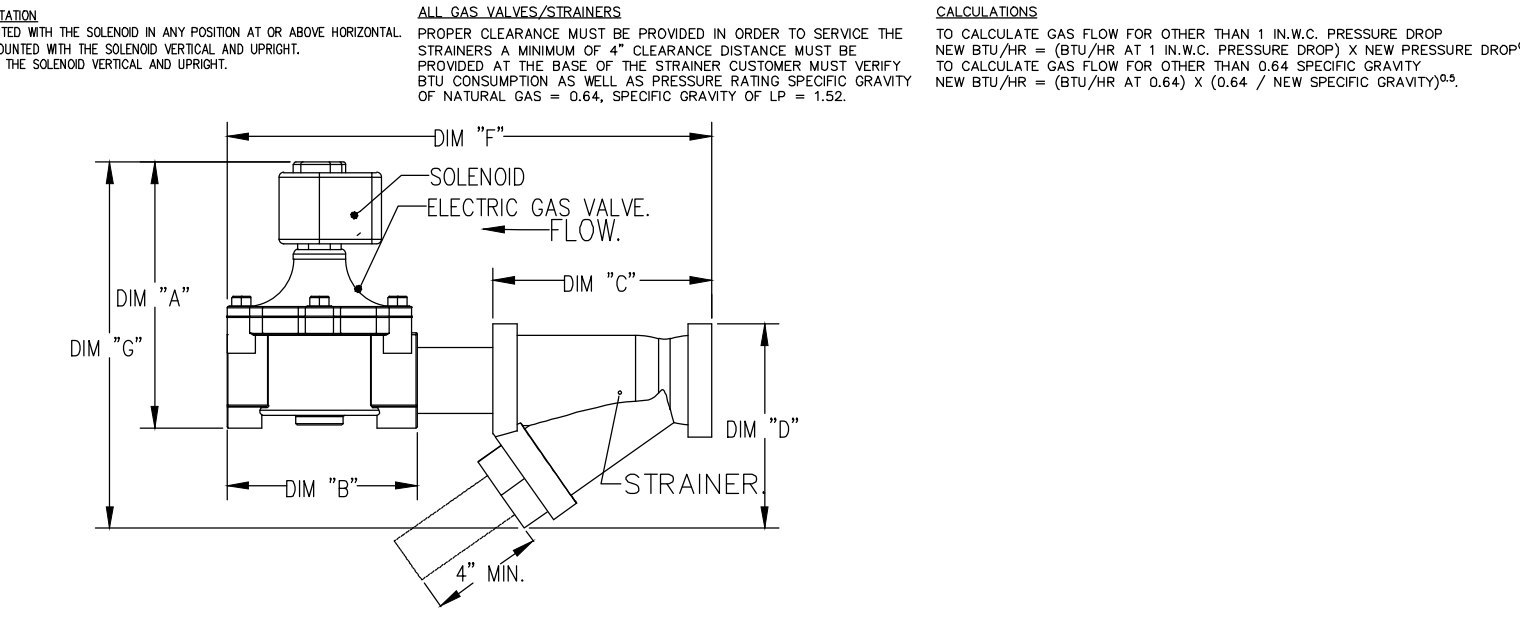


SECTION VIEW - MODEL 6030ND-2
HOOD - #2

ISSUED FOR PERMIT 07/08/2025



GAS VALVES AND STRAINERS																
TYPE	SIZE	VOLTAGE	MIN. INLET PRESSURE	MAX. INLET PRESSURE	MIN. FLOW AT 1 IN.W.C. DROP NATURAL GAS	MAX. FLOW AT 1 IN.W.C. DROP PROPANE	GAS VALVE DIMENSIONS				INSTALLATION	GAS VALVE PART NUMBER	STRAINER PART NUMBER	GAS VALVE/STRAINER KIT		
			0 PSI (0 IN.W.C.)	120 VAC	1.5 SCFH (0.18 IN.W.C.)	2.0 SCFH (0.24 IN.W.C.)	7-5/8"	6-3/8"	7-1/4"	7-13-1/8"	15-5/8"	13-15/16"	HORIZONTAL/VERTICAL	8214280	4417668	ESC62W42



NOTES

- FIELD PIPE, DROPS AS SHOWN
- PIPING, ELBOWS, TEES, AND NOZZLES SUPPLIED BY GAS
- FIELD INSTALLED DROP, FACTORY WILL PROVIDE QTY @ 60IN LONG PIECES OF CHROME PLATED PIPING SHIPPED LOOSE TO BE FIELD-INSTALLED.
- SHIP LOOSE DROP, FACTORY WILL PROVIDE THE EXACT CHROME PIPE LENGTH NEEDED SHIPPED LOOSE TO BE FIELD-INSTALLED.
- RELOCATE NOZZLES IF FLOW PATTERN IS BLOCKED BY SHELVING, SALAMANDERS, ETC.
- OVERLAPPING COVERAGE SHALL NOT BE USED ON ANY APPLIANCE WITH AN OBSTRUCTION. IF APPLICABLE, EXTENDED PRE-PIPED DROPS ARE SHIPPED LOOSE.
- FACTORY PIPING EXTENDS A MAXIMUM OF 6' ABOVE THE TOP OF THE HOOD.
- APPLIANCE DIMENSIONS LISTED REPRESENT THE COOKING SURFACE SIZE, NOT THE OVERALL APPLIANCE SIZE.
- THIS PRE-ENGINEERED FIRE SYSTEM COMPLIES WITH UL 300 REQUIREMENTS.
- DL-F NOZZLE PART NUMBER REPLACES 3070-3/8H-10-55

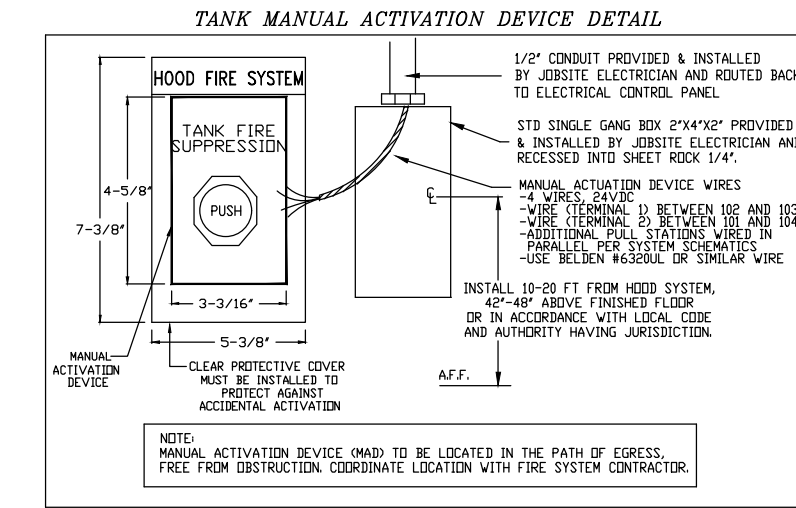
JOB #: 7569549
JOB NAME: SHELL SHACK ARLINGTON DDAS

SYSTEM SIZE: TANK-SP-4 DESIGN FP: 68, MAXIMUM FP: 80
HOOD # 1 9' 0.00' LONG X 66" WIDE X 30" HIGH
RISER # 1 SIZE: 1/2" DIA
HOOD # 2 9' 0.00' LONG X 66" WIDE X 30" HIGH
RISER # 1 SIZE: 1/2" DIA
HOOD # 2 METAL BLDW-DFF CAPS INCLUDED.

- HEAVY-DUTY APPLIANCES (RATED 600°F) WILL REQUIRE AN ADDITIONAL DOWNSTREAM FIRESTAT IN THE EVENT THAT THE DUCTWORK CONTAINS ANY HORIZONTAL RUNS OVER 25 FT IN LENGTH.
- MEDIUM TO LIGHT-DUTY APPLIANCES (RATED 450°F) WILL NOT REQUIRE ANY ADDITIONAL DOWNSTREAM DETECTION.

AGENT DISTRIBUTION PIPING LIMITATIONS		
PIPE SECTION	MAX PIPE LENGTH (FT)	
MAX SUPPLY LINE TO FIRST OVERLAPPING NOZZLE	42	
OVERLAPPING NOZZLE APPLIANCE BRANCH	10	
DEDICATED NOZZLE APPLIANCE BRANCH	10	

- LEGEND - FIRE CABINET TANK SYSTEM**
- 4 GALLON TANK.
 - PRIMARY ACTUATOR RELEASE.
 - SECONDARY ACTUATOR RELEASE.
 - PRESSURE SUPERVISION SWITCH.
 - PRIMARY HOSE ASSEMBLY.
 - SECONDARY HOSE ASSEMBLY.
 - REMOTE MANUAL ACTIVATION DEVICE.



INCLUDES: FIELD INSTALLATION AND HOOKUP DURING NORMAL BUSINESS HOURS BY CERTIFIED INSTALLERS ONLY IN THE LOCATION NOTED ABOVE. TWO SITE VISITS ONLY ONE VISIT TO SET PULL STATION & SYSTEM HOOKUP AND ONE VISIT FOR ONE TEST. ADDITIONAL VISITS WILL RESULT IN ADDITIONAL CHARGES. ONE MECHANICAL OR ELECTRICAL GAS VALVE PER SYSTEM AT A MAXIMUM SIZE OF 1/2" PERMIT AND SYSTEM TEST. EXCLUDES: UNION LABOR & PREVAILING WAGE CLAUSE & WAGES WILL BE ADDED IF APPLICABLE. GAS VALVE INSTALLATION, ELECTRICAL, HOOKUP AND CONNECTIONS, HANDING OF FIRE CABINET, SHIRT TRIP, HANDHELD EXTINGUISHERS, ON-SITE RE-PIPING DUE TO EQUIPMENT LAYOUT CHANGES.

FIRE SYSTEM INFORMATION - JOB#7669549

FIRE SYSTEM NO	TAG	TYPE	SIZE	MAX FP	DESIGN FP	INSTALLATION	
1		TANK FS	4.0/4.0/4.0	80	68	FIRE CABINET LEFT	LEFT, HOOD 1

GAS VALVE(S)

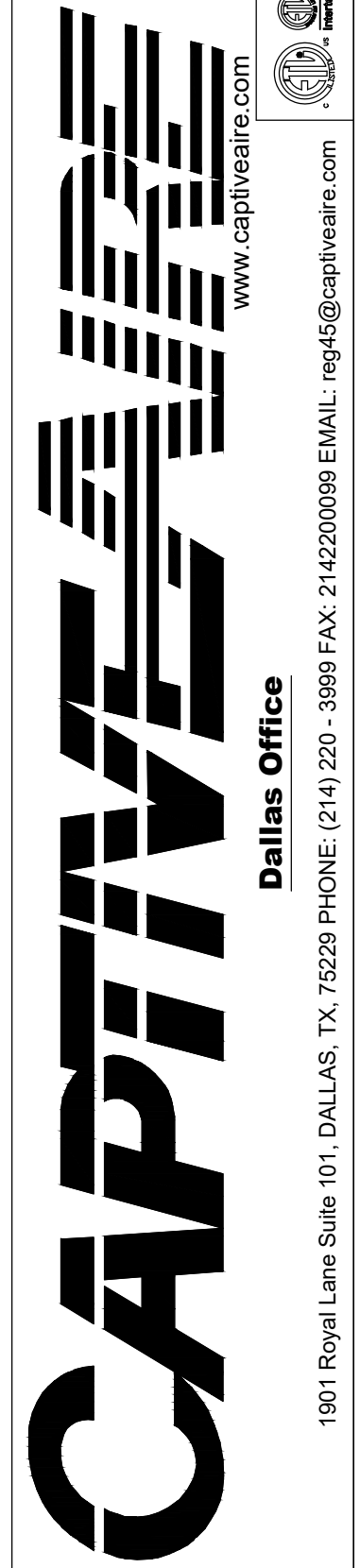
FIRE SYSTEM NO	TAG	TYPE	SIZE	SUPPLIED BY
1		SC ELECTRICAL	2.000	CAPTIVEVAIRE SYSTEMS

FIRE SYSTEM PARTS LIST KEY

FIRE SYSTEM NO	TAG	KEY NUMBER - PART DESCRIPTION	QTY BY FACTORY	QTY BY DIST
0	0	TANK FIRE SUPPRESSION POST-DISCHARGE PROCEDURE UTILITY CABINET LABEL SHEET.	1	0
0	0	TANK FIRE SUPPRESSION MAINTENANCE GUIDE UTILITY CABINET LABEL SHEET.	1	0
0	0	12-FR8021-30144-01-260 DUCT FIRE THERMOSTAT WITH 12 FOOT WIRE LEADS. ND.	2	0
0	0	30-00000 QUICK SEAL - 1/2" O.D.	2	0
0	0	36191 3/8" BRASS PLUG.	3	0
0	0	4496125 1/2" MALE NPT TO 1/2" FEMALE NPT ELBOW, BRASS.	4	0
0	0	4496425 1/2" X 1/4" BRASS REDUCING BUSHING.	2	0
0	0	79425 3/8" NPT FEMALE TO 1/2" MALE PROGRESS ADAPTER.	3	0
0	0	79525 1/2" 90 PRO-PRESS ELBOW WITH 1/2" NPT FEMALE CONNECTION, VIEGA.	2	0
0	0	79580 1/2" X 1/2" PRO-PRESS TEE X 1/2" NPT FEMALE CONNECTION, VIEGA.	4	0
0	0	87-10040-001 SECONDARY ACTUATOR VALVE (SVA) - SINGLE ACTUATOR, REQUIRES PRIMARY RELEASE ACTUATOR, TANK FIRE SUPPRESSION.	3	0
0	0	87-10040-001 HOSE, SECONDARY ACTUATOR HOSE, 7.5' BRAIDED STAINLESS STEEL, TANK FIRE SUPPRESSION.	3	0
0	0	87-30000-001 TANK - PRESSURIZED TANK USED FOR TANK FIRE SUPPRESSION.	4	0
0	0	87-30000-001 PRIMARY ACTUATOR KIT (PAK) - ACTUATOR AND RELEASE SOLENOID ASSEMBLY, ONE NEEDED PER FIRE SYSTEM, SUPERVISOR, TANK FIRE SUPPRESSION.	1	0
0	0	87-30000-001 CONDUCTOR, CANFIELD PART #5J660-201-EU0A, TANK FIRE SUPPRESSION, SUBMERSIBLE SOLID STATE CONNECTION CORD VENDOR 28377.	1	0
0	0	87-30012-001 HARDWARE, SVA BOLTS, TANK FIRE SUPPRESSION.	16	0
0	0	9055459PC PRO PRESS 1/2 PRESS X PRESS 90 ELBOW LB.	16	0
0	0	9091200PC PRO PRESS PS41 1/2 PRESS TEE LB.	10	0
0	0	9864415 HARDWARE, DATANLOCK LOCKING BRACKET SQUARE NUTS 5/16" ZINC, TANK FIRE SUPPRESSION.	8	0
0	0	8145 3/8" BLACK BRN 90 ELL.	1	0
0	0	AS484 1/4" NPT SCHROEDER VALVE AND CAP, JB INDUSTRIES 1/4" FLARE X 1/4" NPT HALF UNION USED IN TANK SERVICE PORT.	2	0
0	0	8145 3/8" BLACK BRN 90 ELL.	4	0
0	0	CB1-106 CHROME PLATED PIPE FITTING 3/8" NPT 90 DEGREE ELBOW.	2	0
0	0	CB1-107 CHROME PLATED PIPE FITTING 3/8" NPT UNION.	2	0
0	0	CB1-123 CHROME PLATED PIPE FITTING 3/8" NPT 22.5 DEGREE ELBOW.	2	0
0	0	DATANLOCK DISCHARGE ADAPTER TANK LOCKING PLATE FOR FIRE SYSTEM TANK INSTALLATION IN UTILITY CABINETS, TANK FIRE SUPPRESSION.	4	0
0	0	SLPDCN-15FT SUPERVISED LOOP CONNECTION KIT - CONTAINS THE PARTS NEEDED TO CONNECT THE SUPERVISED LOOP BETWEEN END TO END HOODS WITH LESS THAN A 2' GAP OR BACK TO BACK HOODS KIT CONTAINS 17 FEET OF BLACK MG WIRE, 17 FEET OF TAN MG WIRE, 15 FEET OF FLEXIBLE CONDUIT, AND TWO 7/8" CONNECTORS.	2	0
0	0	TIS-UCTANKRACKET TANK BRACKET FOR FIRE SYSTEM TANK INSTALLATION IN UTILITY CABINETS, TANK FIRE SUPPRESSION.	4	0
0	0	WK-283950-000 DISCHARGE ADAPTER, TANK FIRE SUPPRESSION.	4	0
0	0	79210 1/2" X 3/8" NPT MALE ADAPTER, VIEGA.	16	0
0	0	DL-F NOZZLE - TANK PROTECTION APPLIANCE COVERAGE NOZZLE (INCLUDES METAL BLDW DFF CAP, LANYARD, USED WITH CHROME-PLATED PIPES).	16	0
0	0	QSA-3/8 QUICK SEAL - 3/8" (UL).	16	0
0	0	A034301 24VDC SINGLE ACTION MANUAL ACTIVATION DEVICE (PUSH/PULL STATION) WITH PROTECTIVE COVER, ONE (1) NORMALLY OPEN CONTACT, RED COLOR.	1	0

REVISIONS

NO.	DESCRIPTION	DATE



Shell Shack Arlington DDAS

Arlington, TX, 76001

DATE: 6/9/2025

DWG.#: 7569549

DRAWN BY: DJL-45

MASTER DRAWING

SHEET NO. 3

ARCHITECT

CIVITARESE | MORGAN ARCHITECTURE

3341 REGENT BLVD. SUITE 130-321 IRVING, TEXAS 75063

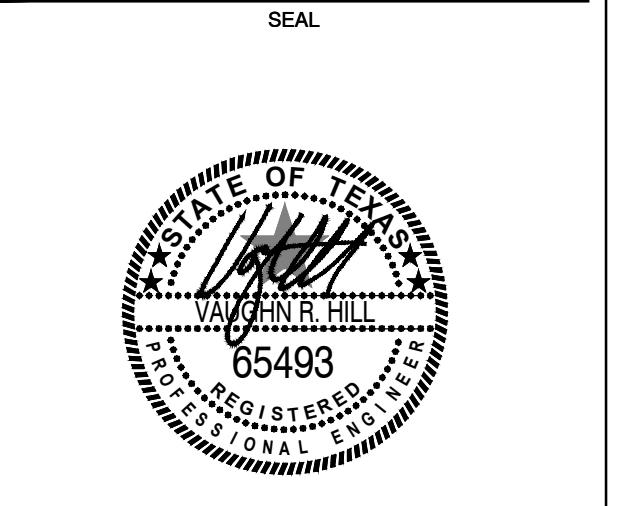
TEL: 214-613-0680 FAX: 469-730-3341

ENGINEER:

The Roberts Group PSC

239-C Southland Drive - Lexington, KY 40503
859-276-2006 / 859-276-2901 Facsimile

ENGINEER BUSINESS REGISTRATION #F-3328



07-08-2025

ARCHITECTURAL PROJECT NO.: 115-01



4000 FIVE POINTS BLVD. SUITE 101 ARLINGTON, TX 76018

NO.	REVISIONS:	DATE:

TENANT REVIEW ISSUE DATE: 07.08.25
LANDLORD REVIEW ISSUE DATE: 07.08.25
PERMIT ISSUE DATE: 07.08.25
BID ISSUE DATE: 07.08.25
CONSTRUCTION ISSUE DATE: XXXX.25

DRAWING TITLE:
MECHANICAL KITCHEN HOODS AND FANS

DRAWING NUMBER:
M5.2

ISSUED FOR PERMIT 07/08/2025

FAN #4 CAS-HVAC3-1400-20-20T - HEATER (DOAS-1)

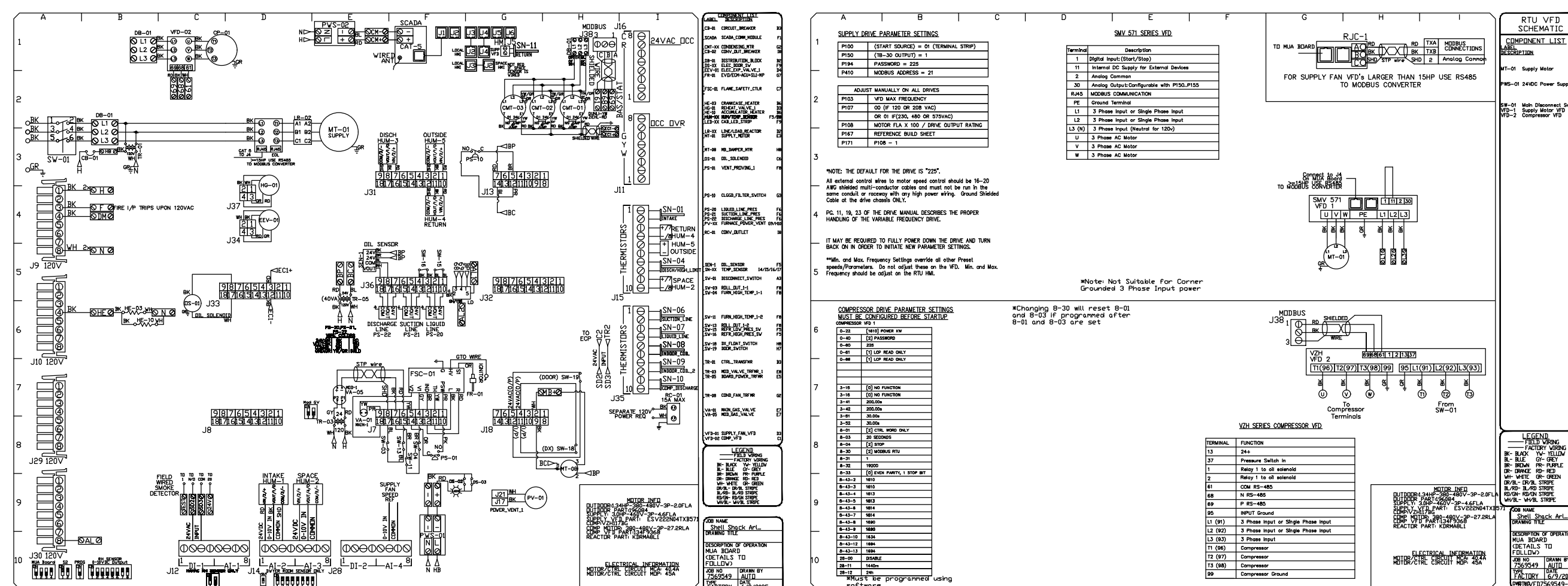
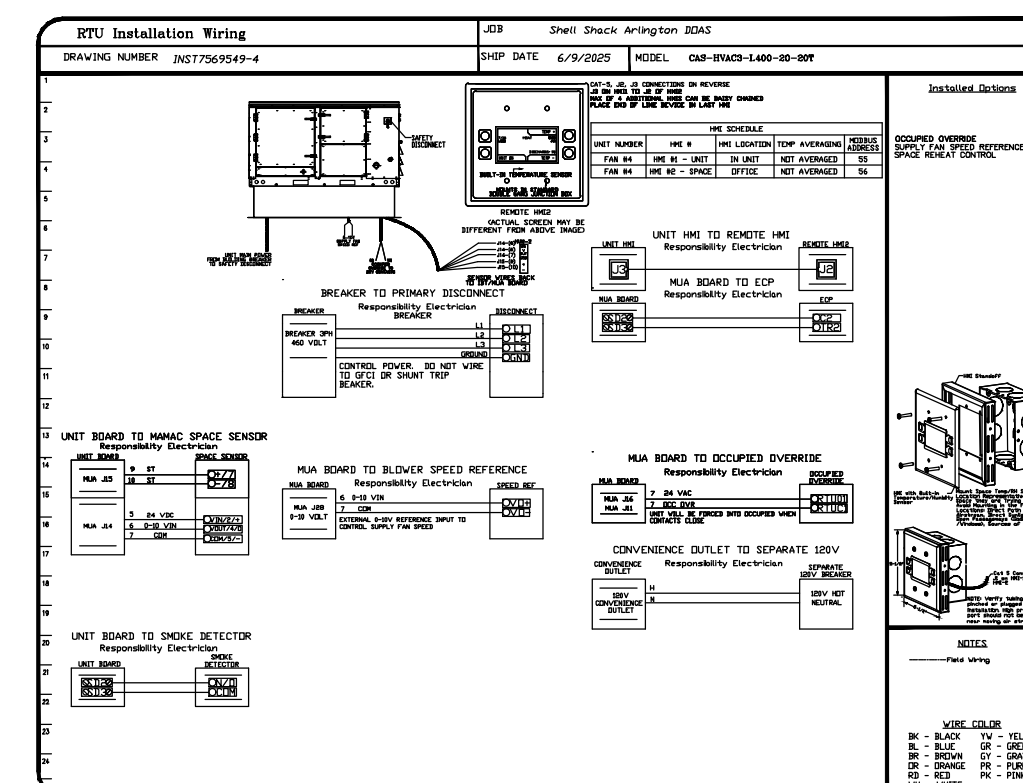
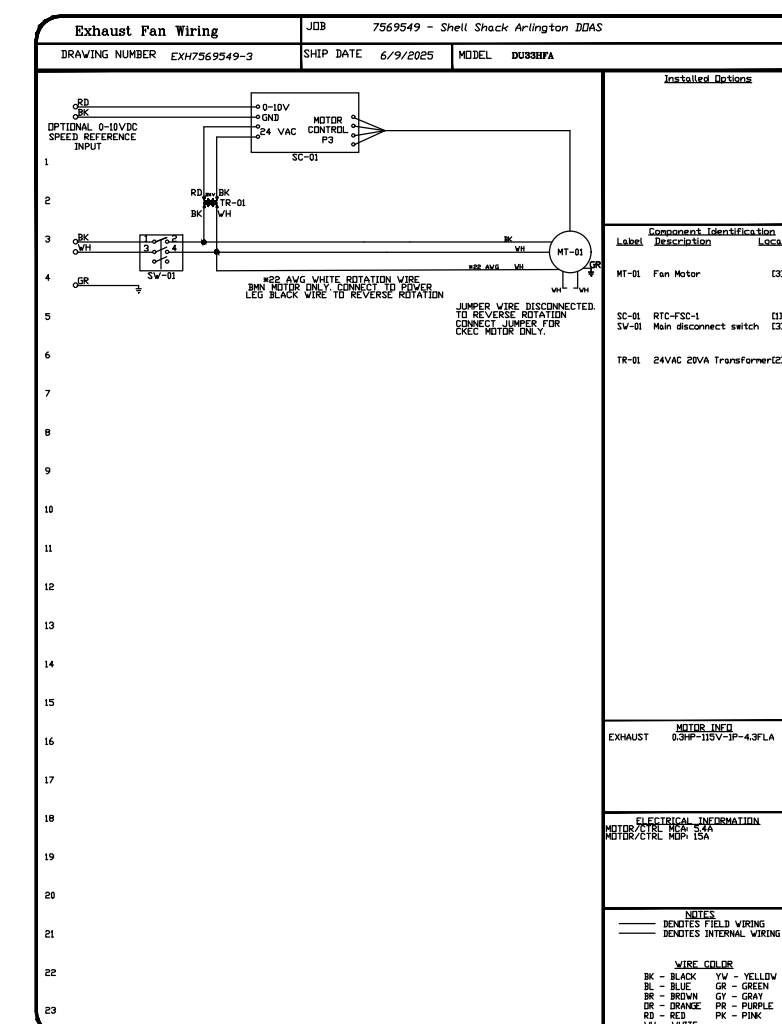
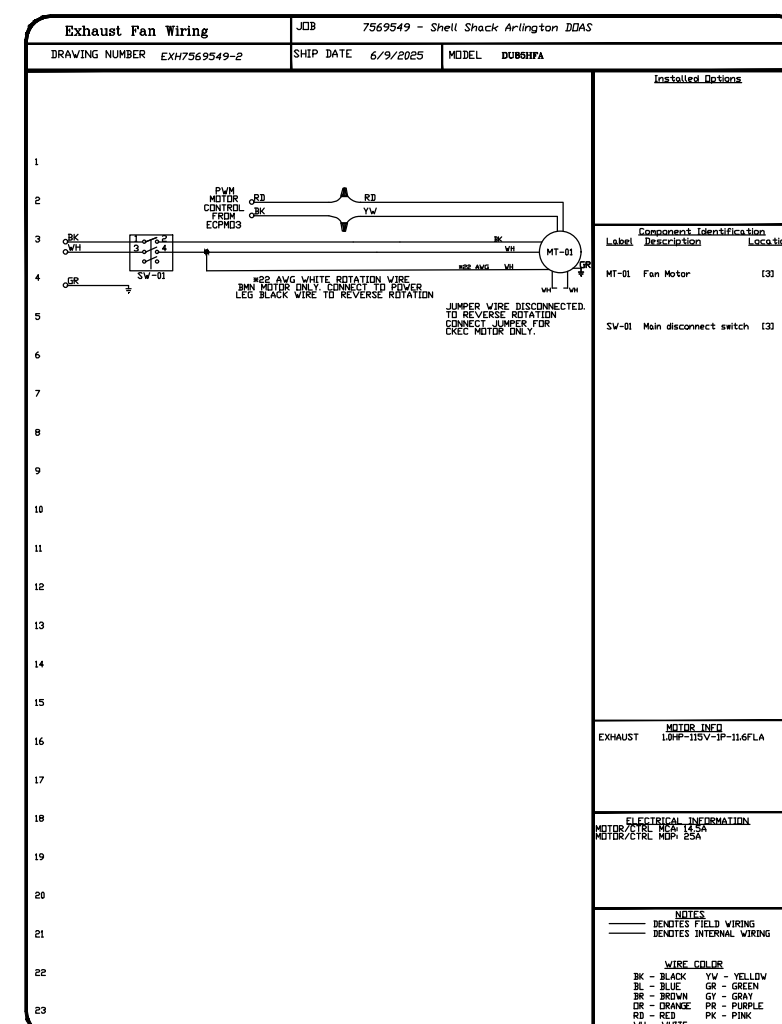
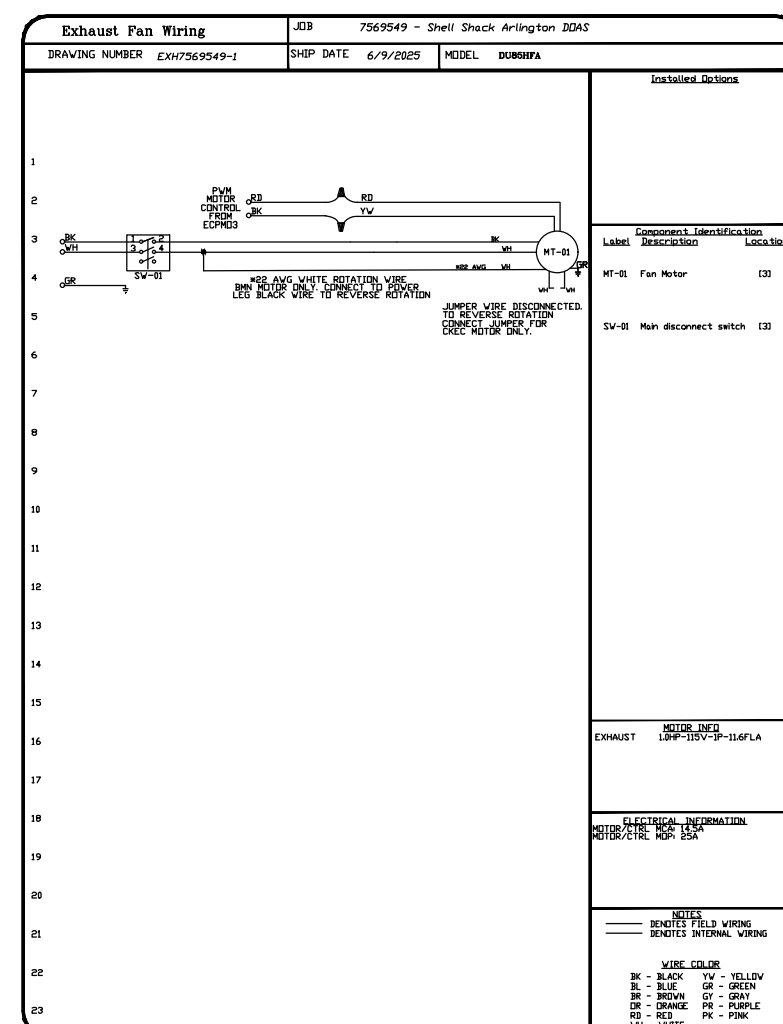
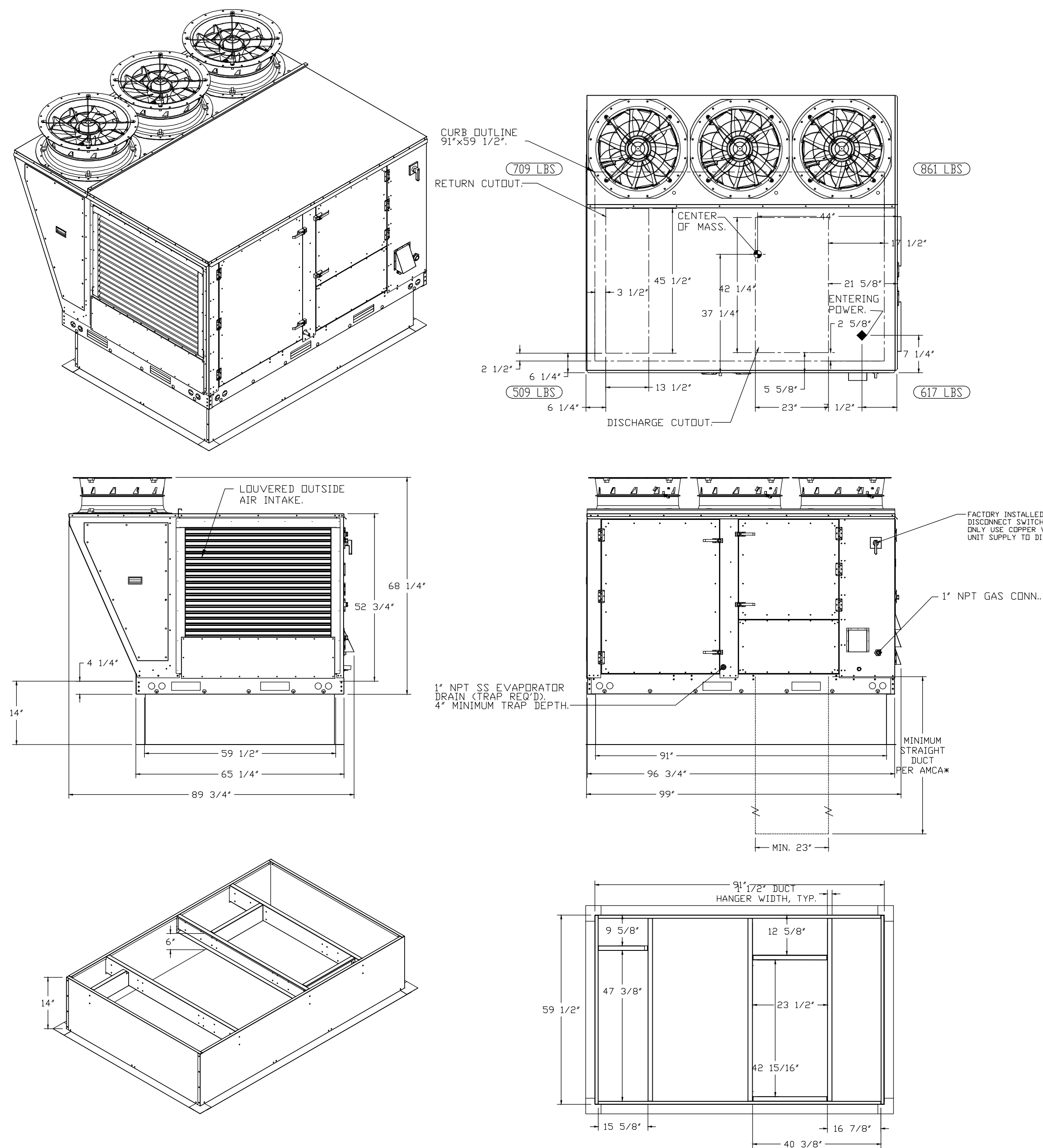
NOTES:

- DO NOT OBSTRUCT OUTSIDE AIR INLET, OUTSIDE AIR COIL OR OUTSIDE AIR FAN.
- DENDOTES CORNER WEIGHT.
- ROOF OPENING MUST BE 2" SMALLER THAN CURB DIMENSIONS IN BOTH DIRECTIONS.
- CONNECTION FROM BREAKER TO UNITS SAFETY DISCONNECT SWITCH TO BE COPPER WIRE ONLY.
- EXTERIOR GAS CONNECTION PROVIDED BY FACTORY WITH QUICK SEAL AND ANTI-ROTATION BRACKET.

*NOTE: INTEGRAL CO2 MONITORING AND CONTROL CAPABILITIES FOR ALL SPACE MOUNTED THERMOSTATS.

*NOTE: THIS UNIT IS INTENDED TO SERVE IN PLACE OF THE KITCHEN HVAC ROOF TOP UNIT (RTU) IN ADDITION TO PROVIDING APPROPRIATE MAKE-UP AIR FOR THE KITCHEN HOOD(S), RTU AND ASSOCIATED DUCTWORK SHALL BE REMOVED FROM SCOPE UNLESS REQUIRED FOR INTERNAL LOAD ESTIMATES. FINAL DESIGN SHALL BE REVIEWED AND APPROVED BY THE ENGINEER OF RECORD.

*NOTE: SUPPLY DUCT MUST BE INSTALLED TO MEET SMACNA STANDARDS. A MINIMUM STRAIGHT DUCT LENGTH MUST BE MAINTAINED DOWNSTREAM OF UNIT DISCHARGE AS OUTLINED IN AMCA PUBLICATION 201. WHEN USING RECTANGULAR DUCTWORK, ELBOWS MUST BE RADIUS THROAT, RADIUS BACK WITH TURNING VANES. FLEXIBLE DUCTWORK AND SQUARE THROAT/SQUARE BACK ELBOWS SHOULD NOT BE USED. ANY TRANSITION AND/OR TURNS IN THE DUCTWORK WILL CAUSE SYSTEM EFFECT. SYSTEM EFFECT WILL DRASTICALLY INCREASE STATIC PRESSURE AND REDUCE AIRFLOW. DO NOT RELY ON UNIT TO SUPPORT DUCT IN ANY WAY. FAILURE TO PROPERLY SIZE DUCTWORK MAY CAUSE SYSTEM EFFECTS AND REDUCE PERFORMANCE OF THE EQUIPMENT.
SUGGESTED STRAIGHT DUCT SIZE IS 23" x 39".



REVISIONS		
NO.	DESCRIPTION	DATE

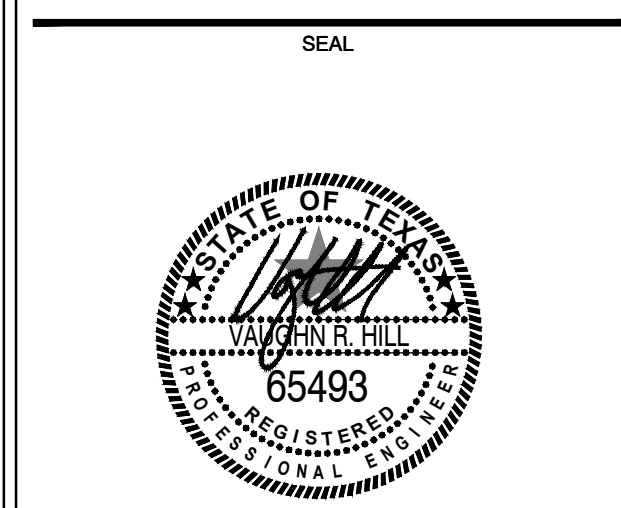


Shell Shack Arlington DOAS
Arlington, TX, 76001

DATE: 6/9/2025
DWG.#: 7569549
DRAWN BY: DJL-45
MASTER DRAWING
SHEET NO. 5

ARCHITECT
CIVITARESE | MORGAN ARCHITECTURE
3341 REGENT BLVD. SUITE 130-321
IRVING, TEXAS 75063
TEL: 214-613-0680 FAX: 469-730-3341

ENGINEER:
The Roberts Group PSC



07-08-2025
ARCHITECTURAL PROJECT NO.: 115-01



4000 FIVE POINTS BLVD.
SUITE 101
ARLINGTON, TX 76018

NO.	REVISIONS	DATE

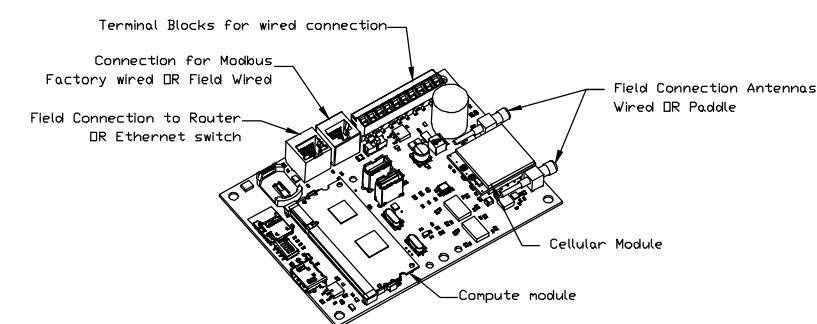
TENANT REVIEW ISSUE DATE: 07.08.25
LANDLORD REVIEW ISSUE DATE: 07.08.25
PERMIT ISSUE DATE: 07.08.25
BID ISSUE DATE: 07.08.25
CONSTRUCTION ISSUE DATE: XX.XX.25

DRAWING TITLE:
MECHANICAL KITCHEN HOODS AND FANS
DRAWING NUMBER:
M5.4

ISSUED FOR PERMIT 07/08/2025

ELECTRICAL PACKAGE - JOB#7569549

NO	TAG	PACKAGE #	LOCATION	SWITCHES		OPTION	FANS CONTROLLED					
				LOCATION	QUANTITY		FAN TAG	TYPE	HP	VOLTS	FLA	
1		DCV-2111	UTILITY CABINET LEFT	UTILITY CABINET LEFT	1 LIGHT	SMART CONTROLS DCV	EF-1	EXHAUST	1	1,000	115	11.6
				HOOD # 1	1 FAN		EF-2	EXHAUST	1	1,000	115	11.6
							DDAS-1	SUPPLY	3	3,000	460	4.6

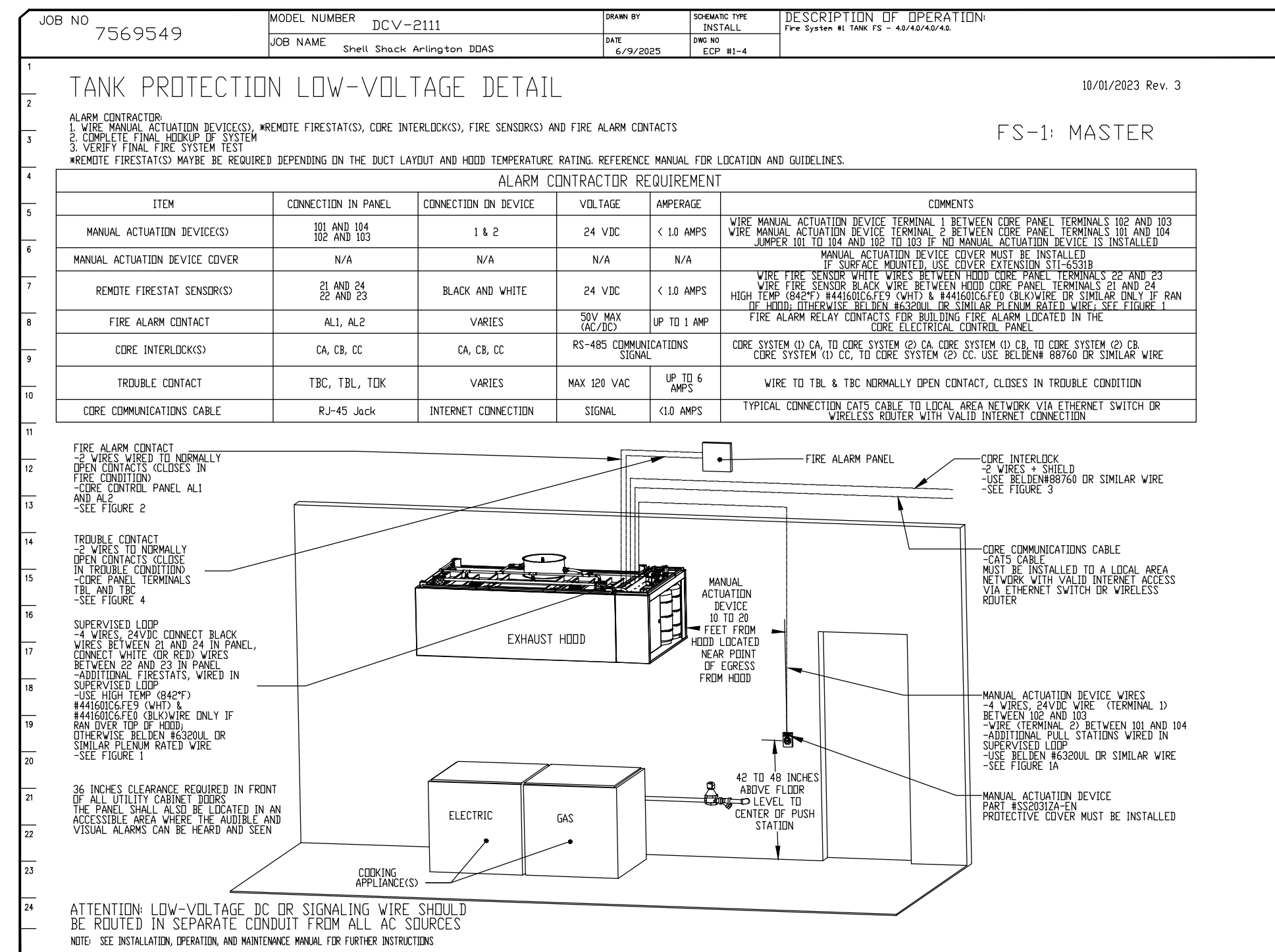
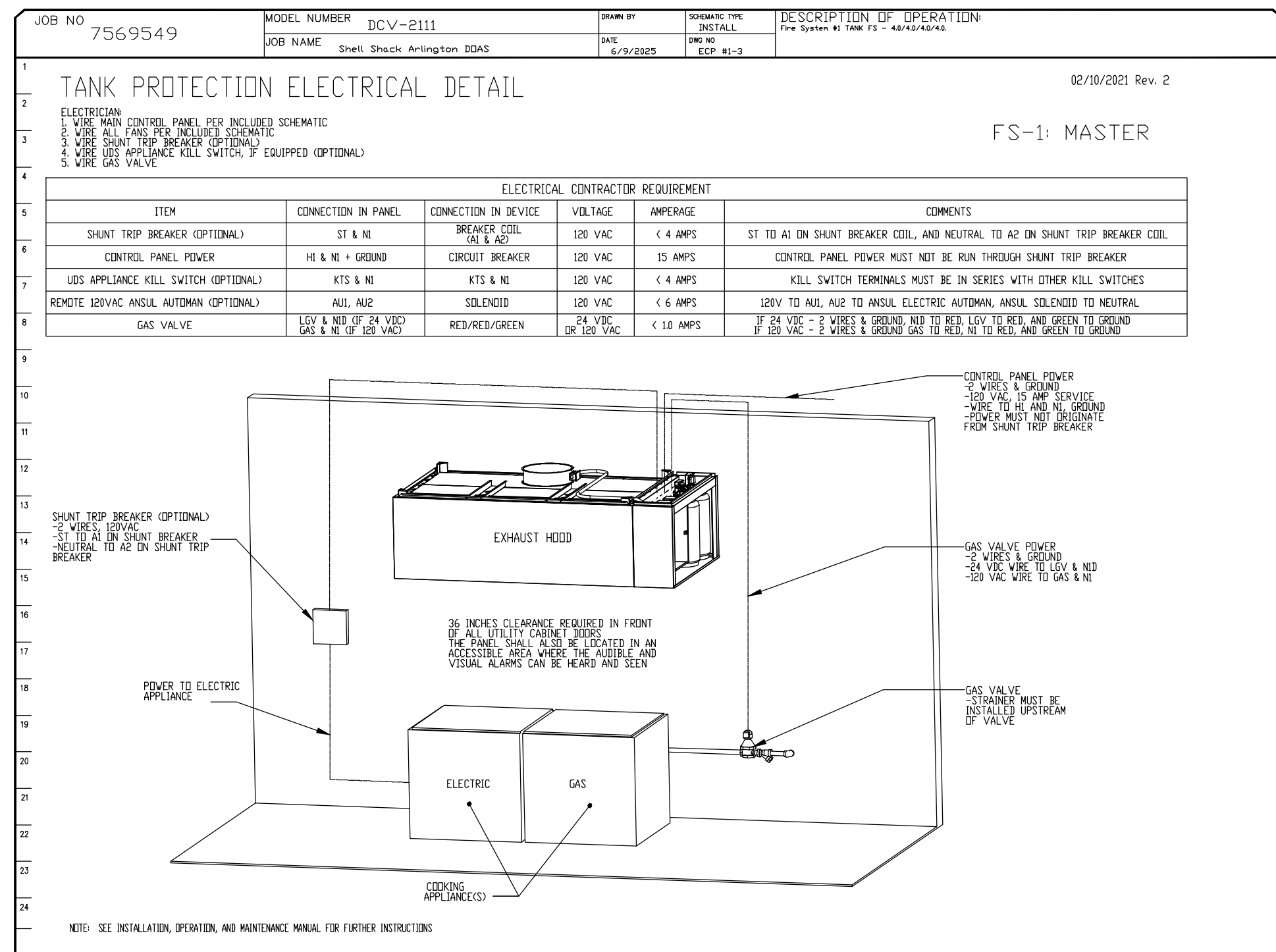
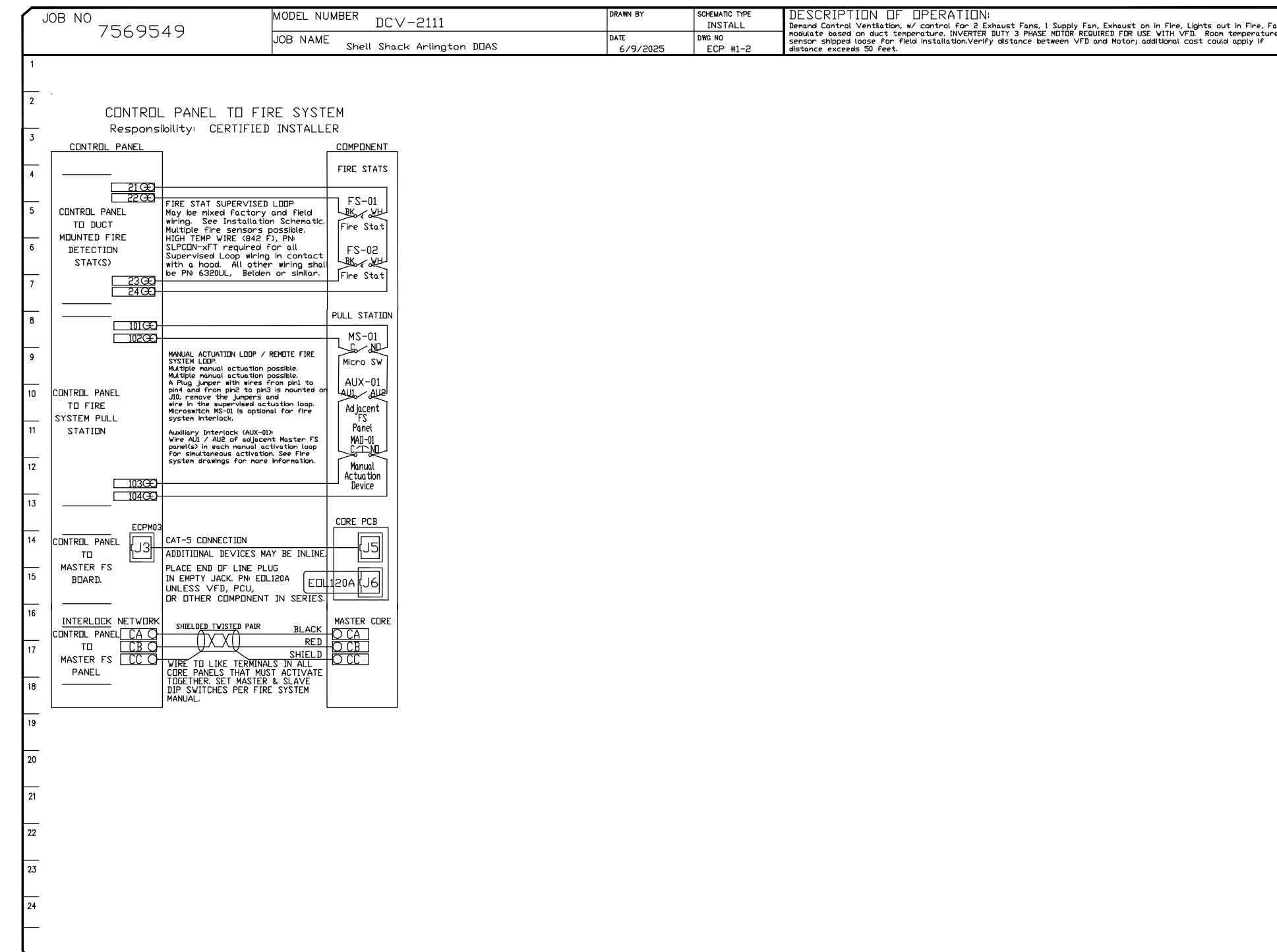
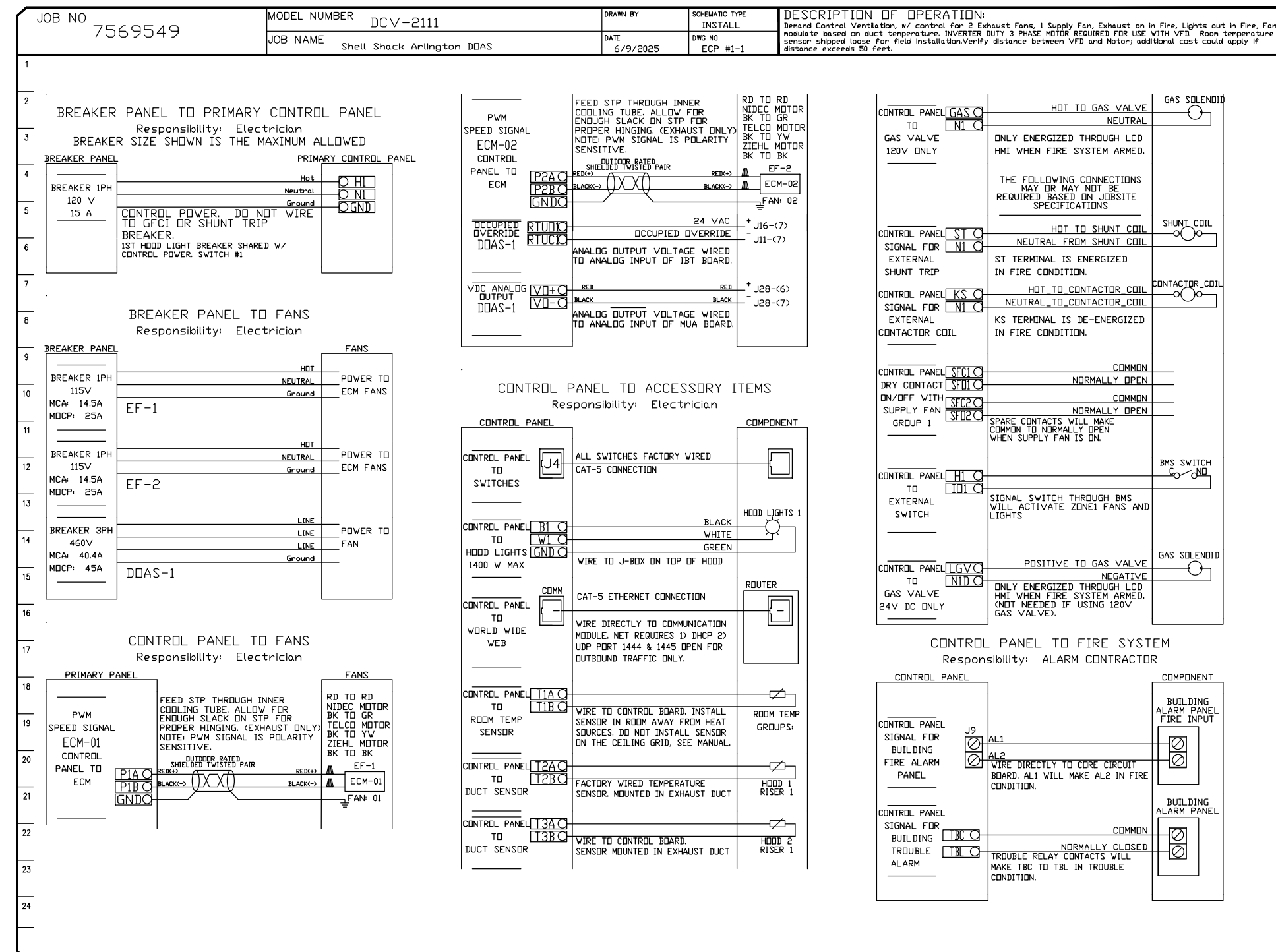


CASlink Monitor and Control

Hood control panel to support communications to cloud-based Building Management System.
 Hood Control Panel to allow cloud-based Building Management System to monitor real time parameters outlined as MONITOR in the points list.
 Hood Control Panel to allow cloud-based Building Management System to control parameters outlined as CONTROL in the points list.
 Hood Control Panel to allow cloud-based Building Management System to implement SYSTEM RECOMMENDED control strategies for fully integrated Building Management.

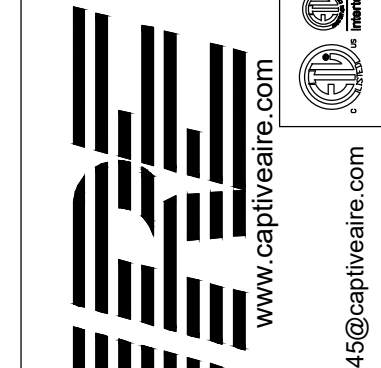
MONITORING AND CONTROL POINTS LIST

DCV Package	Function	DC Packages	Function
Room Temperature	MONITOR	Room Temperature(s)	MONITOR
Duct Temperature(s)	MONITOR	Duct Temperature(s)	MONITOR
MHA Discharge Temperature	MONITOR	MHA Discharge Temperature	MONITOR
Minimum RTU Discharge Temperature	MONITOR	Minimum RTU Discharge Temperature	MONITOR
Fan Speed	MONITOR	Control Fan Speed	MONITOR
Fan Amperage	MONITOR	Fan Amperage	MONITOR
Fan Power	MONITOR	Fan Power	MONITOR
VFD Faults	MONITOR	VFD Faults	MONITOR
Controller Faults	MONITOR	PCU Filter Clog Percentages	MONITOR
Fan Faults	MONITOR	Fan Condition	MONITOR
Fan Status	MONITOR	PCU Filter Clog Percentages	MONITOR
PCU Faults	MONITOR	Building Pressures	MONITOR & CONTROL
PCU Filter Clog Percentages	MONITOR	Fan Status	MONITOR & CONTROL
Fan Condition	MONITOR	PCU Filter Clog Percentages	MONITOR & CONTROL
COKE Fire System	MONITOR	Light(s) Button(s)	MONITOR & CONTROL
Building Pressures	MONITOR	COKE Fire System	MONITOR & CONTROL
Temp Free Button	MONITOR & CONTROL	Temp Free Button	MONITOR & CONTROL
Fans Button	MONITOR & CONTROL	Light(s) Button	MONITOR & CONTROL
Light(s) Button	MONITOR & CONTROL	Kash Button	MONITOR & CONTROL
Kash Button	MONITOR & CONTROL		



REVISIONS

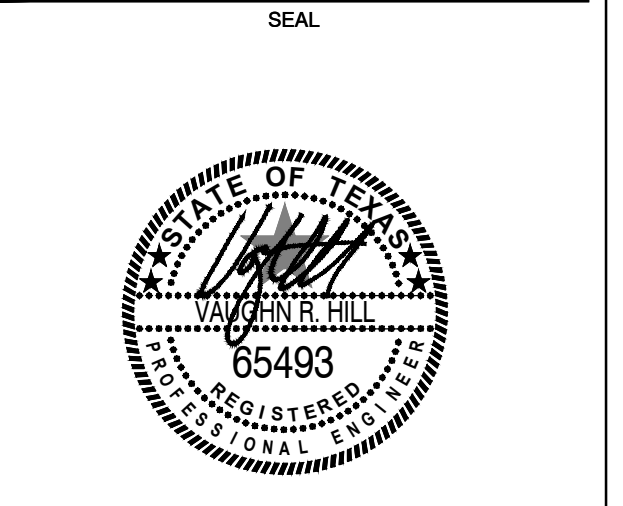
NO	DESCRIPTION	DATE



CAPTIVE
 Dallas Office
 1901 Royal Lane Suite 101, DALLAS, TX, 75229 PHONE: (214) 220-3999 FAX: 2142200099 EMAIL: rep45@captivewire.com

ARCHITECT
CIVITARESE | MORGAN ARCHITECTURE
 3341 REGENT BLVD. SUITE 130-321
 IRVING, TEXAS 75063
 TEL: 214-613-0680 FAX: 469-730-3341

ENGINEER:
The Roberts Group PSC
 239-D Southland Drive - Lexington, KY 40503
 859-276-2006 / 859-276-2901 Facsimile
 ENGINEER BUSINESS REGISTRATION #F-3328



07-08-2025
 ARCHITECTURAL PROJECT NO.: 115-01



4000 FIVE POINTS BLVD.
 SUITE 101
 ARLINGTON, TX 76018

NO	REVISIONS	DATE

DATE: 6/9/2025
 DWG.#: 7569549
 DRAWN BY: DJL-45
MASTER DRAWING
 SHEET NO. 6

TENANT REVIEW ISSUE DATE: 07.08.25
 LANDLORD REVIEW ISSUE DATE: 07.08.25
 PERMIT ISSUE DATE: 07.08.25
 BID ISSUE DATE: 07.08.25
 CONSTRUCTION ISSUE DATE: XXXX.25

DRAWING TITLE:
MECHANICAL KITCHEN HOODS AND FANS
 DRAWING NUMBER:

M5.5

ISSUED FOR PERMIT 07/08/2025