





DATE	DESCRIPTION
01-25-2024	PERMIT SET
02-14-2024	CONSTRUCTION SET
03-14-2024	CONSTRUCTION SET
04-14-2024	CONSTRUCTION SET
05-14-2024	CONSTRUCTION SET
06-14-2024	CONSTRUCTION SET
07-14-2024	CONSTRUCTION SET
08-14-2024	CONSTRUCTION SET
09-14-2024	CONSTRUCTION SET
10-14-2024	CONSTRUCTION SET
11-14-2024	CONSTRUCTION SET
12-14-2024	CONSTRUCTION SET
01-14-2025	CONSTRUCTION SET
02-14-2025	CONSTRUCTION SET
03-14-2025	CONSTRUCTION SET
04-14-2025	CONSTRUCTION SET
05-14-2025	CONSTRUCTION SET
06-14-2025	CONSTRUCTION SET
07-14-2025	CONSTRUCTION SET
08-14-2025	CONSTRUCTION SET
09-14-2025	CONSTRUCTION SET
10-14-2025	CONSTRUCTION SET
11-14-2025	CONSTRUCTION SET
12-14-2025	CONSTRUCTION SET
01-14-2026	CONSTRUCTION SET
02-14-2026	CONSTRUCTION SET
03-14-2026	CONSTRUCTION SET
04-14-2026	CONSTRUCTION SET
05-14-2026	CONSTRUCTION SET
06-14-2026	CONSTRUCTION SET
07-14-2026	CONSTRUCTION SET
08-14-2026	CONSTRUCTION SET
09-14-2026	CONSTRUCTION SET
10-14-2026	CONSTRUCTION SET
11-14-2026	CONSTRUCTION SET
12-14-2026	CONSTRUCTION SET
01-14-2027	CONSTRUCTION SET
02-14-2027	CONSTRUCTION SET
03-14-2027	CONSTRUCTION SET
04-14-2027	CONSTRUCTION SET
05-14-2027	CONSTRUCTION SET
06-14-2027	CONSTRUCTION SET
07-14-2027	CONSTRUCTION SET
08-14-2027	CONSTRUCTION SET
09-14-2027	CONSTRUCTION SET
10-14-2027	CONSTRUCTION SET
11-14-2027	CONSTRUCTION SET
12-14-2027	CONSTRUCTION SET
01-14-2028	CONSTRUCTION SET
02-14-2028	CONSTRUCTION SET
03-14-2028	CONSTRUCTION SET
04-14-2028	CONSTRUCTION SET
05-14-2028	CONSTRUCTION SET
06-14-2028	CONSTRUCTION SET
07-14-2028	CONSTRUCTION SET
08-14-2028	CONSTRUCTION SET
09-14-2028	CONSTRUCTION SET
10-14-2028	CONSTRUCTION SET
11-14-2028	CONSTRUCTION SET
12-14-2028	CONSTRUCTION SET
01-14-2029	CONSTRUCTION SET
02-14-2029	CONSTRUCTION SET
03-14-2029	CONSTRUCTION SET
04-14-2029	CONSTRUCTION SET
05-14-2029	CONSTRUCTION SET
06-14-2029	CONSTRUCTION SET
07-14-2029	CONSTRUCTION SET
08-14-2029	CONSTRUCTION SET
09-14-2029	CONSTRUCTION SET
10-14-2029	CONSTRUCTION SET
11-14-2029	CONSTRUCTION SET
12-14-2029	CONSTRUCTION SET
01-14-2030	CONSTRUCTION SET
02-14-2030	CONSTRUCTION SET
03-14-2030	CONSTRUCTION SET
04-14-2030	CONSTRUCTION SET
05-14-2030	CONSTRUCTION SET
06-14-2030	CONSTRUCTION SET
07-14-2030	CONSTRUCTION SET
08-14-2030	CONSTRUCTION SET
09-14-2030	CONSTRUCTION SET
10-14-2030	CONSTRUCTION SET
11-14-2030	CONSTRUCTION SET
12-14-2030	CONSTRUCTION SET
01-14-2031	CONSTRUCTION SET
02-14-2031	CONSTRUCTION SET
03-14-2031	CONSTRUCTION SET
04-14-2031	CONSTRUCTION SET
05-14-2031	CONSTRUCTION SET
06-14-2031	CONSTRUCTION SET
07-14-2031	CONSTRUCTION SET
08-14-2031	CONSTRUCTION SET
09-14-2031	CONSTRUCTION SET
10-14-2031	CONSTRUCTION SET
11-14-2031	CONSTRUCTION SET
12-14-2031	CONSTRUCTION SET
01-14-2032	CONSTRUCTION SET
02-14-2032	CONSTRUCTION SET
03-14-2032	CONSTRUCTION SET
04-14-2032	CONSTRUCTION SET
05-14-2032	CONSTRUCTION SET
06-14-2032	CONSTRUCTION SET
07-14-2032	CONSTRUCTION SET
08-14-2032	CONSTRUCTION SET
09-14-2032	CONSTRUCTION SET
10-14-2032	CONSTRUCTION SET
11-14-2032	CONSTRUCTION SET
12-14-2032	CONSTRUCTION SET
01-14-2033	CONSTRUCTION SET
02-14-2033	CONSTRUCTION SET
03-14-2033	CONSTRUCTION SET
04-14-2033	CONSTRUCTION SET
05-14-2033	CONSTRUCTION SET
06-14-2033	CONSTRUCTION SET
07-14-2033	CONSTRUCTION SET
08-14-2033	CONSTRUCTION SET
09-14-2033	CONSTRUCTION SET
10-14-2033	CONSTRUCTION SET
11-14-2033	CONSTRUCTION SET
12-14-2033	CONSTRUCTION SET
01-14-2034	CONSTRUCTION SET
02-14-2034	CONSTRUCTION SET
03-14-2034	CONSTRUCTION SET
04-14-2034	CONSTRUCTION SET
05-14-2034	CONSTRUCTION SET
06-14-2034	CONSTRUCTION SET
07-14-2034	CONSTRUCTION SET
08-14-2034	CONSTRUCTION SET
09-14-2034	CONSTRUCTION SET
10-14-2034	CONSTRUCTION SET
11-14-2034	CONSTRUCTION SET
12-14-2034	CONSTRUCTION SET
01-14-2035	CONSTRUCTION SET
02-14-2035	CONSTRUCTION SET
03-14-2035	CONSTRUCTION SET
04-14-2035	CONSTRUCTION SET
05-14-2035	CONSTRUCTION SET
06-14-2035	CONSTRUCTION SET
07-14-2035	CONSTRUCTION SET
08-14-2035	CONSTRUCTION SET
09-14-2035	CONSTRUCTION SET
10-14-2035	CONSTRUCTION SET
11-14-2035	CONSTRUCTION SET
12-14-2035	CONSTRUCTION SET
01-14-2036	CONSTRUCTION SET
02-14-2036	CONSTRUCTION SET
03-14-2036	CONSTRUCTION SET
04-14-2036	CONSTRUCTION SET
05-14-2036	CONSTRUCTION SET
06-14-2036	CONSTRUCTION SET
07-14-2036	CONSTRUCTION SET
08-14-2036	CONSTRUCTION SET
09-14-2036	CONSTRUCTION SET
10-14-2036	CONSTRUCTION SET
11-14-2036	CONSTRUCTION SET
12-14-2036	CONSTRUCTION SET
01-14-2037	CONSTRUCTION SET
02-14-2037	CONSTRUCTION SET
03-14-2037	CONSTRUCTION SET
04-14-2037	CONSTRUCTION SET
05-14-2037	CONSTRUCTION SET
06-14-2037	CONSTRUCTION SET
07-14-2037	CONSTRUCTION SET
08-14-2037	CONSTRUCTION SET
09-14-2037	CONSTRUCTION SET
10-14-2037	CONSTRUCTION SET
11-14-2037	CONSTRUCTION SET
12-14-2037	CONSTRUCTION SET
01-14-2038	CONSTRUCTION SET
02-14-2038	CONSTRUCTION SET
03-14-2038	CONSTRUCTION SET
04-14-2038	CONSTRUCTION SET
05-14-2038	CONSTRUCTION SET
06-14-2038	CONSTRUCTION SET
07-14-2038	CONSTRUCTION SET
08-14-2038	CONSTRUCTION SET
09-14-2038	CONSTRUCTION SET
10-14-2038	CONSTRUCTION SET
11-14-2038	CONSTRUCTION SET
12-14-2038	CONSTRUCTION SET
01-14-2039	CONSTRUCTION SET
02-14-2039	CONSTRUCTION SET
03-14-2039	CONSTRUCTION SET
04-14-2039	CONSTRUCTION SET
05-14-2039	CONSTRUCTION SET
06-14-2039	CONSTRUCTION SET
07-14-2039	CONSTRUCTION SET
08-14-2039	CONSTRUCTION SET
09-14-2039	CONSTRUCTION SET
10-14-2039	CONSTRUCTION SET
11-14-2039	CONSTRUCTION SET
12-14-2039	CONSTRUCTION SET
01-14-2040	CONSTRUCTION SET
02-14-2040	CONSTRUCTION SET
03-14-2040	CONSTRUCTION SET
04-14-2040	CONSTRUCTION SET
05-14-2040	CONSTRUCTION SET
06-14-2040	CONSTRUCTION SET
07-14-2040	CONSTRUCTION SET
08-14-2040	CONSTRUCTION SET
09-14-2040	CONSTRUCTION SET
10-14-2040	CONSTRUCTION SET
11-14-2040	CONSTRUCTION SET
12-14-2040	CONSTRUCTION SET
01-14-2041	CONSTRUCTION SET
02-14-2041	CONSTRUCTION SET
03-14-2041	CONSTRUCTION SET
04-14-2041	CONSTRUCTION SET
05-14-2041	CONSTRUCTION SET
06-14-2041	CONSTRUCTION SET
07-14-2041	CONSTRUCTION SET
08-14-2041	CONSTRUCTION SET
09-14-2041	CONSTRUCTION SET
10-14-2041	CONSTRUCTION SET
11-14-2041	CONSTRUCTION SET
12-14-2041	CONSTRUCTION SET
01-14-2042	CONSTRUCTION SET
02-14-2042	CONSTRUCTION SET
03-14-2042	CONSTRUCTION SET
04-14-2042	CONSTRUCTION SET
05-14-2042	CONSTRUCTION SET
06-14-2042	CONSTRUCTION SET
07-14-2042	CONSTRUCTION SET
08-14-2042	CONSTRUCTION SET
09-14-2042	CONSTRUCTION SET
10-14-2042	CONSTRUCTION SET
11-14-2042	CONSTRUCTION SET
12-14-2042	CONSTRUCTION SET
01-14-2043	CONSTRUCTION SET
02-14-2043	CONSTRUCTION SET
03-14-2043	CONSTRUCTION SET
04-14-2043	CONSTRUCTION SET
05-14-2043	CONSTRUCTION SET
06-14-2043	CONSTRUCTION SET
07-14-2043	CONSTRUCTION SET
08-14-2043	CONSTRUCTION SET
09-14-2043	CONSTRUCTION SET
10-14-2043	CONSTRUCTION SET
11-14-2043	CONSTRUCTION SET
12-14-2043	CONSTRUCTION SET
01-14-2044	CONSTRUCTION SET
02-14-2044	CONSTRUCTION SET
03-14-2044	CONSTRUCTION SET
04-14-2044	CONSTRUCTION SET
05-14-2044	CONSTRUCTION SET
06-14-2044	CONSTRUCTION SET
07-14-2044	CONSTRUCTION SET
08-14-2044	CONSTRUCTION SET
09-14-2044	CONSTRUCTION SET
10-14-2044	CONSTRUCTION SET
11-14-2044	CONSTRUCTION SET
12-14-2044	CONSTRUCTION SET
01-14-2045	CONSTRUCTION SET
02-14-2045	CONSTRUCTION SET
03-14-2045	CONSTRUCTION SET
04-14-2045	CONSTRUCTION SET
05-14-2045	CONSTRUCTION SET
06-14-2045	CONSTRUCTION SET
07-14-2045	CONSTRUCTION SET
08-14-2045	CONSTRUCTION SET
09-14-2045	CONSTRUCTION SET
10-14-2045	CONSTRUCTION SET
11-14-2045	CONSTRUCTION SET
12-14-2045	CONSTRUCTION SET
01-14-2046	CONSTRUCTION SET
02-14-2046	CONSTRUCTION SET
03-14-2046	CONSTRUCTION SET
04-14-2046	CONSTRUCTION SET
05-14-2046	CONSTRUCTION SET
06-14-2046	CONSTRUCTION SET
07-14-2046	CONSTRUCTION SET
08-14-2046	CONSTRUCTION SET
09-14-2046	CONSTRUCTION SET
10-14-2046	CONSTRUCTION SET
11-14-2046	CONSTRUCTION SET
12-14-2046	CONSTRUCTION SET
01-14-2047	CONSTRUCTION SET
02-14-2047	CONSTRUCTION SET
03-14-2047	CONSTRUCTION SET
04-14-2047	CONSTRUCTION SET
05-14-2047	CONSTRUCTION SET
06-14-2047	CONSTRUCTION SET
07-14-2047	CONSTRUCTION SET
08-14-2047	CONSTRUCTION SET
09-14-2047	CONSTRUCTION SET
10-14-2047	CONSTRUCTION SET
11-14-2047	CONSTRUCTION SET
12-14-2047	CONSTRUCTION SET
01-14-2048	CONSTRUCTION SET
02-14-2048	CONSTRUCTION SET
03-14-2048	CONSTRUCTION SET
04-14-2048	CONSTRUCTION SET
05-14-2048	CONSTRUCTION SET
06-14-2048	CONSTRUCTION SET
07-14-2048	CONSTRUCTION SET
08-14-2048	CONSTRUCTION SET
09-14-2048	CONSTRUCTION SET
10-14-2048	CONSTRUCTION SET
11-14-2048	CONSTRUCTION SET
12-14-2048	CONSTRUCTION SET
01-14-2049	CONSTRUCTION SET
02-14-2049	CONSTRUCTION SET
03-14-2049	CONSTRUCTION SET
04-14-2049	CONSTRUCTION SET
05-14-2049	CONSTRUCTION SET
06-14-2049	CONSTRUCTION SET
07-14-2049	CONSTRUCTION SET
08-14-2049	CONSTRUCTION SET
09-14-2049	CONSTRUCTION SET
10-14-2049	CONSTRUCTION SET
11-14-2049	CONSTRUCTION SET
12-14-2049	CONSTRUCTION SET
01-14-2050	CONSTRUCTION SET
02-14-2050	CONSTRUCTION SET
03-14-2050	CONSTRUCTION SET
04-14-2050	CONSTRUCTION SET
05-14-2050	CONSTRUCTION SET
06-14-2050	CONSTRUCTION SET
07-14-2050	CONSTRUCTION SET
08-14-2050	CONSTRUCTION SET
09-14-2050	CONSTRUCTION SET
10-14-2050	CONSTRUCTION SET
11-14-2050	CONSTRUCTION SET
12-14-2050	CONSTRUCTION SET

**HVAC PLAN NOTES**

- SEE ARCHITECTURAL REFLECTED CEILING PLAN FOR CEILING MOUNTED EQUIPMENT LOCATION. TYPICAL.
- PAINT DUCTWORK VISIBLE THROUGH DINING ROOM SUPPLY REGISTERS AND RETURN GRILL BLACK. TYPICAL. REGISTERS 50" THAT SUPPLY AIR THIS WALL ON OPPOSITE SIDE OF ROOM AT APPROXIMATELY 7' AFF WITH NO DAMPERS FEEL IN THE DINING ROOM.
- 347A DUCT UP FOR TRANSITION TO RTU-1 RETURN CONNECTION IN ROOF CURB.
- 347A DUCT UP FOR TRANSITION TO RTU-2 RETURN CONNECTION IN ROOF CURB.
- 347B DUCT UP FROM BUILDING SUPPLY TO RTU-2 SUPPLY CONNECTION. TRANSITION IN ROOF CURB. RTU-1 SHALL HAVE AN INTEGRAL SMOKE DETECTOR MOUNTED IN THE SUPPLY AIR STREAM. INTERLOCK SMOKE DETECTOR TO RTU-1 OPERATION.
- 347B DUCT UP THROUGH ROOF. TRANSITION TO MAKE SURE CONNECTION IN ROOF CURB.
- 347C DUCT UP THROUGH ROOF. TRANSITION TO MAKE SURE CONNECTION IN ROOF CURB.
- 347C DUCT UP FROM ROOF THROUGH ROOF TO FF-1 COMPLIANT WITH NFPA 96. PROVIDE RADIUS ELBOWS WITH AN INSIDE RADIUS OF 0.5W AT ELBOWS IN GREASE DUCT.
- 347C DUCT DOWN TO MAKEUP AIR FOR DUCT CONNECTION. TRANSITION TO SUPPLY PLENUM OPENING SIZE. TYPICAL FOR 3"
- 347C DUCT DOWN TO ACT PSP DUCT CONNECTION. TRANSITION TO SUPPLY PLENUM OPENING SIZE. TYPICAL. CAP UNUSED DUCT CONNECTIONS. INSTALL SINGLE GANG VERTICAL 4-BOX GROUNDING THERMOSTATS BY TEAMS FOR RTU-1 AND RTU-2 AT THIS LOCATION AT 48" AFF.
- 347C DUCT DOWN TO MAKEUP AIR FOR DUCT CONNECTION. TRANSITION TO SUPPLY PLENUM OPENING SIZE. TYPICAL. CAP UNUSED DUCT CONNECTIONS. COORDINATE LOCATION WITH EQUIPMENT. PROVIDE WIRING AS SHOWN IN DETAIL B7E7D.
- INSTALL GROUNDING POINT SENSOR MODULE FURNISHED BY TEAMS FOR RTU-1 AT THIS LOCATION 72" AFF DIRECTLY TO WALL. NO JUNCTION BOX.
- INSTALL GROUNDING POINT SENSOR MODULE FURNISHED BY TEAMS FOR RTU-2 AT THIS LOCATION 65" AFF DIRECTLY TO WALL. NO JUNCTION BOX.
- INSTALL GROUNDING POINT SENSOR MODULE FURNISHED BY TEAMS FOR RTU-1 IN THE SUPPLY DUCTWORK UPSTREAM FROM THE FIRST BRANCH CONNECTION. PROVIDE WIRING AS SHOWN IN DETAIL B7E7D.
- INSTALL REMOTE TEMPERATURE SENSOR FOR HOOD-1 AT THIS LOCATION 27" AFF. COORDINATE LOCATION WITH EQUIPMENT. PROVIDE (2) #16 G. THERMOSTATIC CABLE FROM TEMPERATURE SENSOR TO HOOD CONTROL PANEL.
- INSTALL REMOTE TEMPERATURE SENSOR FOR HOOD-2 AT THIS LOCATION 27" AFF. COORDINATE LOCATION WITH EQUIPMENT. PROVIDE (2) #16 G. THERMOSTATIC CABLE FROM TEMPERATURE SENSOR TO HOOD CONTROL PANEL.
- INSTALL REMOTE TEMPERATURE SENSOR FOR HOOD-3 AT THIS LOCATION 27" AFF. COORDINATE LOCATION WITH EQUIPMENT. PROVIDE (2) #16 G. THERMOSTATIC CABLE FROM TEMPERATURE SENSOR TO HOOD CONTROL PANEL.
- INSTALL REMOTE TEMPERATURE SENSOR FOR HOOD-4 AT THIS LOCATION 27" AFF. COORDINATE LOCATION WITH EQUIPMENT. PROVIDE (2) #16 G. THERMOSTATIC CABLE FROM TEMPERATURE SENSOR TO HOOD CONTROL PANEL.
- INSTALL REMOTE TEMPERATURE SENSOR FOR HOOD-5 AT THIS LOCATION 27" AFF. COORDINATE LOCATION WITH EQUIPMENT. PROVIDE (2) #16 G. THERMOSTATIC CABLE FROM TEMPERATURE SENSOR TO HOOD CONTROL PANEL.
- INSTALL REMOTE TEMPERATURE SENSOR FOR HOOD-6 AT THIS LOCATION 27" AFF. COORDINATE LOCATION WITH EQUIPMENT. PROVIDE (2) #16 G. THERMOSTATIC CABLE FROM TEMPERATURE SENSOR TO HOOD CONTROL PANEL.
- INSTALL REMOTE TEMPERATURE SENSOR FOR HOOD-7 AT THIS LOCATION 27" AFF. COORDINATE LOCATION WITH EQUIPMENT. PROVIDE (2) #16 G. THERMOSTATIC CABLE FROM TEMPERATURE SENSOR TO HOOD CONTROL PANEL.
- INSTALL REMOTE TEMPERATURE SENSOR FOR HOOD-8 AT THIS LOCATION 27" AFF. COORDINATE LOCATION WITH EQUIPMENT. PROVIDE (2) #16 G. THERMOSTATIC CABLE FROM TEMPERATURE SENSOR TO HOOD CONTROL PANEL.
- INSTALL REMOTE TEMPERATURE SENSOR FOR HOOD-9 AT THIS LOCATION 27" AFF. COORDINATE LOCATION WITH EQUIPMENT. PROVIDE (2) #16 G. THERMOSTATIC CABLE FROM TEMPERATURE SENSOR TO HOOD CONTROL PANEL.
- INSTALL REMOTE TEMPERATURE SENSOR FOR HOOD-10 AT THIS LOCATION 27" AFF. COORDINATE LOCATION WITH EQUIPMENT. PROVIDE (2) #16 G. THERMOSTATIC CABLE FROM TEMPERATURE SENSOR TO HOOD CONTROL PANEL.
- INSTALL REMOTE TEMPERATURE SENSOR FOR HOOD-11 AT THIS LOCATION 27" AFF. COORDINATE LOCATION WITH EQUIPMENT. PROVIDE (2) #16 G. THERMOSTATIC CABLE FROM TEMPERATURE SENSOR TO HOOD



DATE	01-25-2024
DATE	02-28-2024
DATE	03-14-2024
DATE	03-28-2024
DATE	CONSTRUCTION SET

**SANITIZING EQUIPMENT SCHEDULE**

TAG	COUNT	DESCRIPTION	FURNISH	INSTALL	REMARKS
SP-1	2	BATHROOM AIR TUV	GC	GC	SEE ELECTRICAL SHEETS FOR BATHROOM AIR TUV ASSEMBLY. SEE ELECTRICAL SHEETS FOR BATHROOM AIR TUV ASSEMBLY. SEE ELECTRICAL SHEETS FOR BATHROOM AIR TUV ASSEMBLY.
SK-1	2	HVAC AIR TUV	GC	GC	SEE ELECTRICAL SHEETS FOR HVAC AIR TUV ASSEMBLY. SEE ELECTRICAL SHEETS FOR HVAC AIR TUV ASSEMBLY. SEE ELECTRICAL SHEETS FOR HVAC AIR TUV ASSEMBLY.
SI-1	3	PURIFICATION UNIT	GC	GC	SEE ELECTRICAL SHEETS FOR PURIFICATION UNIT ASSEMBLY. SEE ELECTRICAL SHEETS FOR PURIFICATION UNIT ASSEMBLY. SEE ELECTRICAL SHEETS FOR PURIFICATION UNIT ASSEMBLY.

**VIROGUARD SCHEDULE**

TAG	QUANTITY	DESCRIPTION	DUCT CONNECTION SIZE	FURNISHED BY	INSTALL BY	REMARKS
VG-1	1	HURRICANE RATED VIROGUARD HOOD WITH INTEGRATED FAN ROOF TOP CONTAINMENT SYSTEM	18" X 18"	GC	GC	ENVIRONMENTAL

**GRILLS, REGISTERS, AND DIFFUSERS SCHEDULE**

TAG	DESCRIPTION	FACE SIZE	MATERIAL	FINISH	MOUNTING	FURNISHED BY	INSTALL BY	REMARKS
CG1	PERFORATED CEILING DIFFUSER	24" X 24"	ALUMINUM	WHITE	LAY-IN CEILING	GC	GC	PROVIDE INTEGRAL ORB. REMOVE 4-WAY
CG2	PERFORATED CEILING DIFFUSER	24" X 12"	ALUMINUM	WHITE	LAY-IN CEILING	GC	GC	PROVIDE INTEGRAL ORB. REMOVE 4-WAY
CG3	PERFORATED CEILING DIFFUSER	12" X 12"	ALUMINUM	WHITE	GYP CEILING	GC	GC	PROVIDE INTEGRAL ORB.
CG4	PERFORATED CEILING DIFFUSER	12" X 12"	ALUMINUM	WHITE	GYP CEILING	GC	GC	PROVIDE INTEGRAL ORB.
CG5	PERFORATED CEILING DIFFUSER	12" X 12"	ALUMINUM	WHITE	GYP CEILING	GC	GC	PROVIDE INTEGRAL ORB.
CG6	PERFORATED CEILING DIFFUSER	12" X 12"	ALUMINUM	WHITE	GYP CEILING	GC	GC	PROVIDE INTEGRAL ORB.
CG7	PERFORATED CEILING DIFFUSER	12" X 12"	ALUMINUM	WHITE	GYP CEILING	GC	GC	PROVIDE INTEGRAL ORB.
CG8	PERFORATED CEILING DIFFUSER	12" X 12"	ALUMINUM	WHITE	GYP CEILING	GC	GC	PROVIDE INTEGRAL ORB.
CG9	PERFORATED CEILING DIFFUSER	12" X 12"	ALUMINUM	WHITE	GYP CEILING	GC	GC	PROVIDE INTEGRAL ORB.
CG10	PERFORATED CEILING DIFFUSER	12" X 12"	ALUMINUM	WHITE	GYP CEILING	GC	GC	PROVIDE INTEGRAL ORB.
CG11	PERFORATED CEILING DIFFUSER	12" X 12"	ALUMINUM	WHITE	GYP CEILING	GC	GC	PROVIDE INTEGRAL ORB.
CG12	PERFORATED CEILING DIFFUSER	12" X 12"	ALUMINUM	WHITE	GYP CEILING	GC	GC	PROVIDE INTEGRAL ORB.
CG13	PERFORATED CEILING DIFFUSER	12" X 12"	ALUMINUM	WHITE	GYP CEILING	GC	GC	PROVIDE INTEGRAL ORB.
CG14	PERFORATED CEILING DIFFUSER	12" X 12"	ALUMINUM	WHITE	GYP CEILING	GC	GC	PROVIDE INTEGRAL ORB.
CG15	PERFORATED CEILING DIFFUSER	12" X 12"	ALUMINUM	WHITE	GYP CEILING	GC	GC	PROVIDE INTEGRAL ORB.
CG16	PERFORATED CEILING DIFFUSER	12" X 12"	ALUMINUM	WHITE	GYP CEILING	GC	GC	PROVIDE INTEGRAL ORB.
CG17	PERFORATED CEILING DIFFUSER	12" X 12"	ALUMINUM	WHITE	GYP CEILING	GC	GC	PROVIDE INTEGRAL ORB.
CG18	PERFORATED CEILING DIFFUSER	12" X 12"	ALUMINUM	WHITE	GYP CEILING	GC	GC	PROVIDE INTEGRAL ORB.
CG19	PERFORATED CEILING DIFFUSER	12" X 12"	ALUMINUM	WHITE	GYP CEILING	GC	GC	PROVIDE INTEGRAL ORB.
CG20	PERFORATED CEILING DIFFUSER	12" X 12"	ALUMINUM	WHITE	GYP CEILING	GC	GC	PROVIDE INTEGRAL ORB.
CG21	PERFORATED CEILING DIFFUSER	12" X 12"	ALUMINUM	WHITE	GYP CEILING	GC	GC	PROVIDE INTEGRAL ORB.
CG22	PERFORATED CEILING DIFFUSER	12" X 12"	ALUMINUM	WHITE	GYP CEILING	GC	GC	PROVIDE INTEGRAL ORB.
CG23	PERFORATED CEILING DIFFUSER	12" X 12"	ALUMINUM	WHITE	GYP CEILING	GC	GC	PROVIDE INTEGRAL ORB.
CG24	PERFORATED CEILING DIFFUSER	12" X 12"	ALUMINUM	WHITE	GYP CEILING	GC	GC	PROVIDE INTEGRAL ORB.
CG25	PERFORATED CEILING DIFFUSER	12" X 12"	ALUMINUM	WHITE	GYP CEILING	GC	GC	PROVIDE INTEGRAL ORB.
CG26	PERFORATED CEILING DIFFUSER	12" X 12"	ALUMINUM	WHITE	GYP CEILING	GC	GC	PROVIDE INTEGRAL ORB.
CG27	PERFORATED CEILING DIFFUSER	12" X 12"	ALUMINUM	WHITE	GYP CEILING	GC	GC	PROVIDE INTEGRAL ORB.
CG28	PERFORATED CEILING DIFFUSER	12" X 12"	ALUMINUM	WHITE	GYP CEILING	GC	GC	PROVIDE INTEGRAL ORB.
CG29	PERFORATED CEILING DIFFUSER	12" X 12"	ALUMINUM	WHITE	GYP CEILING	GC	GC	PROVIDE INTEGRAL ORB.
CG30	PERFORATED CEILING DIFFUSER	12" X 12"	ALUMINUM	WHITE	GYP CEILING	GC	GC	PROVIDE INTEGRAL ORB.
CG31	PERFORATED CEILING DIFFUSER	12" X 12"	ALUMINUM	WHITE	GYP CEILING	GC	GC	PROVIDE INTEGRAL ORB.
CG32	PERFORATED CEILING DIFFUSER	12" X 12"	ALUMINUM	WHITE	GYP CEILING	GC	GC	PROVIDE INTEGRAL ORB.
CG33	PERFORATED CEILING DIFFUSER	12" X 12"	ALUMINUM	WHITE	GYP CEILING	GC	GC	PROVIDE INTEGRAL ORB.
CG34	PERFORATED CEILING DIFFUSER	12" X 12"	ALUMINUM	WHITE	GYP CEILING	GC	GC	PROVIDE INTEGRAL ORB.
CG35	PERFORATED CEILING DIFFUSER	12" X 12"	ALUMINUM	WHITE	GYP CEILING	GC	GC	PROVIDE INTEGRAL ORB.
CG36	PERFORATED CEILING DIFFUSER	12" X 12"	ALUMINUM	WHITE	GYP CEILING	GC	GC	PROVIDE INTEGRAL ORB.
CG37	PERFORATED CEILING DIFFUSER	12" X 12"	ALUMINUM	WHITE	GYP CEILING	GC	GC	PROVIDE INTEGRAL ORB.
CG38	PERFORATED CEILING DIFFUSER	12" X 12"	ALUMINUM	WHITE	GYP CEILING	GC	GC	PROVIDE INTEGRAL ORB.
CG39	PERFORATED CEILING DIFFUSER	12" X 12"	ALUMINUM	WHITE	GYP CEILING	GC	GC	PROVIDE INTEGRAL ORB.
CG40	PERFORATED CEILING DIFFUSER	12" X 12"	ALUMINUM	WHITE	GYP CEILING	GC	GC	PROVIDE INTEGRAL ORB.
CG41	PERFORATED CEILING DIFFUSER	12" X 12"	ALUMINUM	WHITE	GYP CEILING	GC	GC	PROVIDE INTEGRAL ORB.
CG42	PERFORATED CEILING DIFFUSER	12" X 12"	ALUMINUM	WHITE	GYP CEILING	GC	GC	PROVIDE INTEGRAL ORB.
CG43	PERFORATED CEILING DIFFUSER	12" X 12"	ALUMINUM	WHITE	GYP CEILING	GC	GC	PROVIDE INTEGRAL ORB.
CG44	PERFORATED CEILING DIFFUSER	12" X 12"	ALUMINUM	WHITE	GYP CEILING	GC	GC	PROVIDE INTEGRAL ORB.
CG45	PERFORATED CEILING DIFFUSER	12" X 12"	ALUMINUM	WHITE	GYP CEILING	GC	GC	PROVIDE INTEGRAL ORB.
CG46	PERFORATED CEILING DIFFUSER	12" X 12"	ALUMINUM	WHITE	GYP CEILING	GC	GC	PROVIDE INTEGRAL ORB.
CG47	PERFORATED CEILING DIFFUSER	12" X 12"	ALUMINUM	WHITE	GYP CEILING	GC	GC	PROVIDE INTEGRAL ORB.
CG48	PERFORATED CEILING DIFFUSER	12" X 12"	ALUMINUM	WHITE	GYP CEILING	GC	GC	PROVIDE INTEGRAL ORB.
CG49	PERFORATED CEILING DIFFUSER	12" X 12"	ALUMINUM	WHITE	GYP CEILING	GC	GC	PROVIDE INTEGRAL ORB.
CG50	PERFORATED CEILING DIFFUSER	12" X 12"	ALUMINUM	WHITE	GYP CEILING	GC	GC	PROVIDE INTEGRAL ORB.
CG51	PERFORATED CEILING DIFFUSER	12" X 12"	ALUMINUM	WHITE	GYP CEILING	GC	GC	PROVIDE INTEGRAL ORB.
CG52	PERFORATED CEILING DIFFUSER	12" X 12"	ALUMINUM	WHITE	GYP CEILING	GC	GC	PROVIDE INTEGRAL ORB.
CG53	PERFORATED CEILING DIFFUSER	12" X 12"	ALUMINUM	WHITE	GYP CEILING	GC	GC	PROVIDE INTEGRAL ORB.
CG54	PERFORATED CEILING DIFFUSER	12" X 12"	ALUMINUM	WHITE	GYP CEILING	GC	GC	PROVIDE INTEGRAL ORB.
CG55	PERFORATED CEILING DIFFUSER	12" X 12"	ALUMINUM	WHITE	GYP CEILING	GC	GC	PROVIDE INTEGRAL ORB.
CG56	PERFORATED CEILING DIFFUSER	12" X 12"	ALUMINUM	WHITE	GYP CEILING	GC	GC	PROVIDE INTEGRAL ORB.
CG57	PERFORATED CEILING DIFFUSER	12" X 12"	ALUMINUM	WHITE	GYP CEILING	GC	GC	PROVIDE INTEGRAL ORB.
CG58	PERFORATED CEILING DIFFUSER	12" X 12"	ALUMINUM	WHITE	GYP CEILING	GC	GC	PROVIDE INTEGRAL ORB.
CG59	PERFORATED CEILING DIFFUSER	12" X 12"	ALUMINUM	WHITE	GYP CEILING	GC	GC	PROVIDE INTEGRAL ORB.
CG60	PERFORATED CEILING DIFFUSER	12" X 12"	ALUMINUM	WHITE	GYP CEILING	GC	GC	PROVIDE INTEGRAL ORB.
CG61	PERFORATED CEILING DIFFUSER	12" X 12"	ALUMINUM	WHITE	GYP CEILING	GC	GC	PROVIDE INTEGRAL ORB.
CG62	PERFORATED CEILING DIFFUSER	12" X 12"	ALUMINUM	WHITE	GYP CEILING	GC	GC	PROVIDE INTEGRAL ORB.
CG63	PERFORATED CEILING DIFFUSER	12" X 12"	ALUMINUM	WHITE	GYP CEILING	GC	GC	PROVIDE INTEGRAL ORB.
CG64	PERFORATED CEILING DIFFUSER	12" X 12"	ALUMINUM	WHITE	GYP CEILING	GC	GC	PROVIDE INTEGRAL ORB.
CG65	PERFORATED CEILING DIFFUSER	12" X 12"	ALUMINUM	WHITE	GYP CEILING	GC	GC	PROVIDE INTEGRAL ORB.
CG66	PERFORATED CEILING DIFFUSER	12" X 12"	ALUMINUM	WHITE	GYP CEILING	GC	GC	PROVIDE INTEGRAL ORB.
CG67	PERFORATED CEILING DIFFUSER	12" X 12"	ALUMINUM	WHITE	GYP CEILING	GC	GC	PROVIDE INTEGRAL ORB.
CG68	PERFORATED CEILING DIFFUSER	12" X 12"	ALUMINUM	WHITE	GYP CEILING	GC	GC	PROVIDE INTEGRAL ORB.
CG69	PERFORATED CEILING DIFFUSER	12" X 12"	ALUMINUM	WHITE	GYP CEILING	GC	GC	PROVIDE INTEGRAL ORB.
CG70	PERFORATED CEILING DIFFUSER	12" X 12"	ALUMINUM	WHITE	GYP CEILING	GC	GC	PROVIDE INTEGRAL ORB.
CG71	PERFORATED CEILING DIFFUSER	12" X 12"	ALUMINUM	WHITE	GYP CEILING	GC	GC	PROVIDE INTEGRAL ORB.
CG72	PERFORATED CEILING DIFFUSER	12" X 12"	ALUMINUM	WHITE	GYP CEILING	GC	GC	PROVIDE INTEGRAL ORB.
CG73	PERFORATED CEILING DIFFUSER	12" X 12"	ALUMINUM	WHITE	GYP CEILING	GC	GC	PROVIDE INTEGRAL ORB.
CG74	PERFORATED CEILING DIFFUSER	12" X 12"	ALUMINUM	WHITE	GYP CEILING	GC	GC	PROVIDE INTEGRAL ORB.
CG75	PERFORATED CEILING DIFFUSER	12" X 12"	ALUMINUM	WHITE	GYP CEILING	GC	GC	PROVIDE INTEGRAL ORB.
CG76	PERFORATED CEILING DIFFUSER	12" X 12"	ALUMINUM	WHITE	GYP CEILING	GC	GC	PROVIDE INTEGRAL ORB.
CG77	PERFORATED CEILING DIFFUSER	12" X 12"	ALUMINUM	WHITE	GYP CEILING	GC	GC	PROVIDE INTEGRAL ORB.
CG78	PERFORATED CEILING DIFFUSER	12" X 12"	ALUMINUM	WHITE	GYP CEILING	GC	GC	PROVIDE INTEGRAL ORB.
CG79	PERFORATED CEILING DIFFUSER	12" X 12"	ALUMINUM	WHITE	GYP CEILING	GC	GC	PROVIDE INTEGRAL ORB.
CG80	PERFORATED CEILING DIFFUSER	12" X 12"	ALUMINUM	WHITE	GYP CEILING	GC	GC	PROVIDE INTEGRAL ORB.
CG81	PERFORATED CEILING DIFFUSER	12" X 12"	ALUMINUM	WHITE	GYP CEILING	GC	GC	PROVIDE INTEGRAL ORB.
CG82	PERFORATED CEILING DIFFUSER	12" X 12"	ALUMINUM	WHITE	GYP CEILING	GC	GC	PROVIDE INTEGRAL ORB.
CG83	PERFORATED CEILING DIFFUSER	12" X 12"	ALUMINUM	WHITE	GYP CEILING	GC	GC	PROVIDE INTEGRAL ORB.
CG84	PERFORATED CEILING DIFFUSER	12" X 12"	ALUMINUM	WHITE	GYP CEILING	GC	GC	PROVIDE INTEGRAL ORB.
CG85	PERFORATED CEILING DIFFUSER	12" X 12"	ALUMINUM	WHITE	GYP CEILING	GC	GC	PROVIDE INTEGRAL ORB.
CG86	PERFORATED CEILING DIFFUSER	12" X 12"	ALUMINUM	WHITE	GYP CEILING	GC	GC	PROVIDE INTEGRAL ORB.
CG87	PERFORATED CEILING DIFFUSER	12" X 12"	ALUMINUM	WHITE	GYP CEILING	GC	GC	PROVIDE INTEGRAL ORB.
CG88	PERFORATED CEILING DIFFUSER	12" X 12"	ALUMINUM	WHITE	GYP CEILING	GC	GC	PROVIDE INTEGRAL ORB.
CG89	PERFORATED CEILING DIFFUSER	12" X 12"	ALUMINUM	WHITE	GYP CEILING	GC	GC	PROVIDE INTEGRAL ORB.
CG90	PERFORATED CEILING DIFFUSER	12" X 12"	ALUMINUM	WHITE	GYP CEILING	GC	GC	PROVIDE INTEGRAL ORB.
CG91	PERFORATED CEILING DIFFUSER	12" X 12"	ALUMINUM	WHITE	GYP CEILING	GC	GC	PROVIDE INTEGRAL ORB.
CG92	PERFORATED CEILING DIFFUSER	12" X 12"	ALUMINUM	WHITE	GYP CEILING	GC	GC	PROVIDE INTEGRAL ORB.
CG93	PERFORATED CEILING DIFFUSER	12" X 12"	ALUMINUM	WHITE	GYP CEILING	GC	GC	PROVIDE INTEGRAL ORB.
CG94	PERFORATED CEILING DIFFUSER	12" X 12"	ALUMINUM	WHITE	GYP CEILING	GC	GC	PROVIDE INTEGRAL ORB.
CG95	PERFORATED CEILING DIFFUSER	12" X 12"	ALUMINUM	WHITE	GYP CEILING	GC	GC	PROVIDE INTEGRAL ORB.
CG96	PERFORATED CEILING DIFFUSER	12" X 12"	ALUMINUM	WHITE	GYP CEILING	GC	GC	PROVIDE INTEGRAL ORB.
CG97	PERFORATED CEILING DIFFUSER	12" X 12"	ALUMINUM	WHITE	GYP CEILING	GC	GC	PROVIDE INTEGRAL ORB.
CG98	PERFORATED CEILING DIFFUSER	12" X 12"	ALUMINUM	WHITE	GYP CEILING	GC	GC	PROVIDE INTEGRAL ORB.
CG99	PERFORATED CEILING DIFFUSER	12" X 12"	ALUMINUM	WHITE	GYP CEILING	GC	GC	PROVIDE INTEGRAL ORB.
CG100	PERFORATED CEILING DIFFUSER	12" X 12"	ALUMINUM	WHITE	GYP CEILING	GC	GC	PROVIDE INTEGRAL ORB.

**FAN SCHEDULE**

TAG	DRIVE TYPE	E.S.P. (in. W.C.)	WEIGHT (lbs)	ELECTRICAL MOTOR POWER (HP)	V/PH	FURNISHED BY	INSTALL BY	REMARKS
EF-1	DIRECT	1.20 in. W.C.	400	2	208/240	GC	GC	FURNISHED WITH DISCONNECT AND VENTER ROOF CURB
EF-2	DIRECT	1.50 in. W.C.	100	0.38 HP	120/140	GC	GC	FURNISHED WITH DISCONNECT, VARIABLE SPEED CONTROLLER, BACKDRIFT DAMPER AND ROOF CURB

**MAKEUP AIR UNIT SCHEDULE**

TAG	DESCRIPTION	SUPPLY FLOW (CFM)	E.S.P. (in. W.C.)	WEIGHT (lbs)	ELECTRICAL MOTOR POWER (HP)	V/PH	FURNISHED BY	INSTALL BY	REMARKS
MAU-1	UNTEMPERED MAKEUP AIR UNIT	1300	0.80	550	1.1HP	208/240	GC	GC	FURNISHED WITH DISCONNECT, ROOF CURB, SCREEN INTAKE AND WASHABLE ALUMINUM FILTERS

**CONDENSING UNIT SCHEDULE**

TAG	DESCRIPTION	NOMINAL CAPACITY (TONS)	NUMBER OF COMPRESSORS	NUMBER OF CIRCUITS	REFRIGERANT CHARGE (lbs)	REFRIGERANT TYPE	WEIGHT (lbs)	FURNISHED BY	INSTALL BY	REMARKS
CU-1	WALK-IN COOLER BAROTE CONDENSING UNIT	10	1	1	208/240	R-404A	200	GC	GC	FURNISHED WITH MAKEUP COOLER
CU-2	ICE MAKER - REMOTE CONDENSER	10	1	1	208/240	R-404A	200	GC	GC	FURNISHED WITH ICE MAKER
CU-3	ICE MAKER - REMOTE CONDENSER	10	1	1	208/240	R-404A	200	GC	GC	FURNISHED WITH ICE MAKER













NO.	REVISIONS	DATE
1		
2		
3		
4		
5		

DATE:	11/27/2024
DWG.#:	7195305
DRAWN BY:	JMB-40
SCALE:	3/4" = 1'-0"
MASTER DRAWING	



CHIPOTLE NORTH LAKE WORTH #4955  
 2665 10TH AVE. N,  
 PALM SPRINGS, FL, 33461

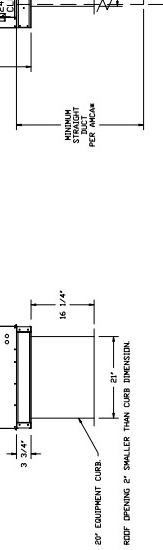
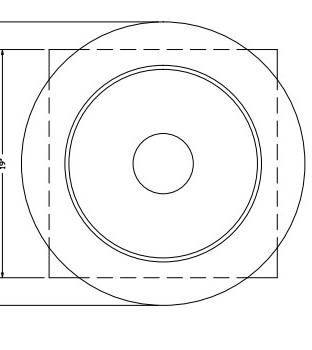
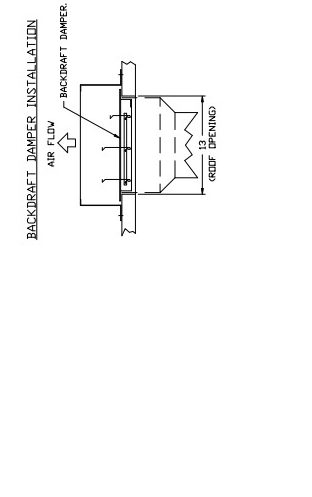
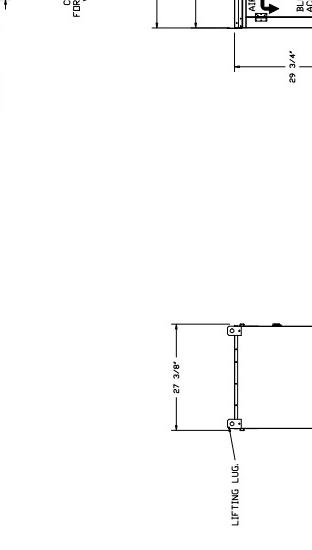
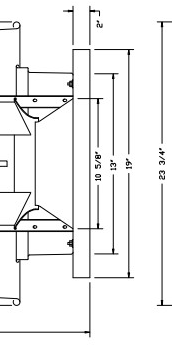
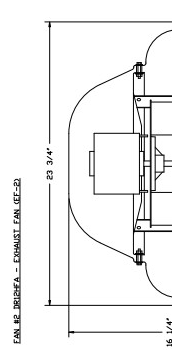
DATE: 11/27/2024  
 DWG.#: 7195305  
 DRAWN BY: JMB-40  
 SCALE: 3/4" = 1'-0"  
 MASTER DRAWING

SHEET NO. 6

FOR USE IN: SUPPLY ONLY (INDUS) MIXED FLOW DIRECT DRIVE FAN IN SIZE M HOUSING.  
 1. INTERMEDIATE SUPPLY UNIT WITH 15" DOWN DISCHARGE - AIR FLOW RIGHT -> LEFT.  
 2. DOWN DISCHARGE - AIR FLOW RIGHT -> LEFT.  
 3. DOWN DISCHARGE - AIR FLOW LEFT -> RIGHT.  
 4. DOWN DISCHARGE - AIR FLOW LEFT -> RIGHT.  
 5. DOWN DISCHARGE - AIR FLOW LEFT -> RIGHT.  
 6. DOWN DISCHARGE - AIR FLOW LEFT -> RIGHT.  
 7. DOWN DISCHARGE - AIR FLOW LEFT -> RIGHT.  
 8. 2 YEAR PARTS WARRANTY.

FEATURES:  
 - DIRECT DRIVE CONSTRUCTION  
 - 16" BELT/PALLEYS.  
 - SAFETY DISCONNECT.  
 - STANDARD BIRD SCREEN.  
 - SPEED CONTROL.  
 - THERMAL OVERLOAD PROTECTION (SINGLE PHASE).

DETAILS:  
 - 1/2" JIB DAMPER - MANUAL OR AUTOMATIC RETROFIT SPEED CONTROL.  
 - 1/2" JIB DAMPER - MANUAL OR AUTOMATIC RETROFIT SPEED CONTROL.  
 - 1/2" JIB DAMPER - MANUAL OR AUTOMATIC RETROFIT SPEED CONTROL.  
 - 1/2" JIB DAMPER - MANUAL OR AUTOMATIC RETROFIT SPEED CONTROL.  
 - 2 YEAR PARTS WARRANTY.



OPTIONS:  
 - FULL BOTTOM CORNERS.



4614 Paeagon Park Rd., Raleigh, NC, 27618 PHONE: (919) 875-0420 FAX: (919) 875-0577 EMAIL: reg@captivair.com

DATE: 11/27/2024  
 DWG.#: 7195305  
 DRAWN BY: JMB-40  
 SCALE: 3/4" = 1'-0"  
 MASTER DRAWING

SHEET NO. 6

CHIPOTLE NORTH LAKE WORTH #4955  
 2665 10TH AVE. N,  
 PALM SPRINGS, FL, 33461

DATE: 11/27/2024  
 DWG.#:  
 7195305  
 DRAWN BY: JMB-40  
 SCALE:  
 3/4" = 1'-0"  
 MASTER DRAWING

SHEET NO.  
 7



Highwoods Group  
 4641 Pason Park Rd., Raleigh, NC, 27616 PHONE: (919) 875-0420 FAX: 9198750577 EMAIL: reg@captivewire.com

REVISIONS	DATE

