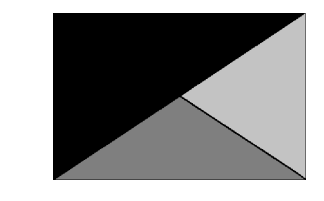
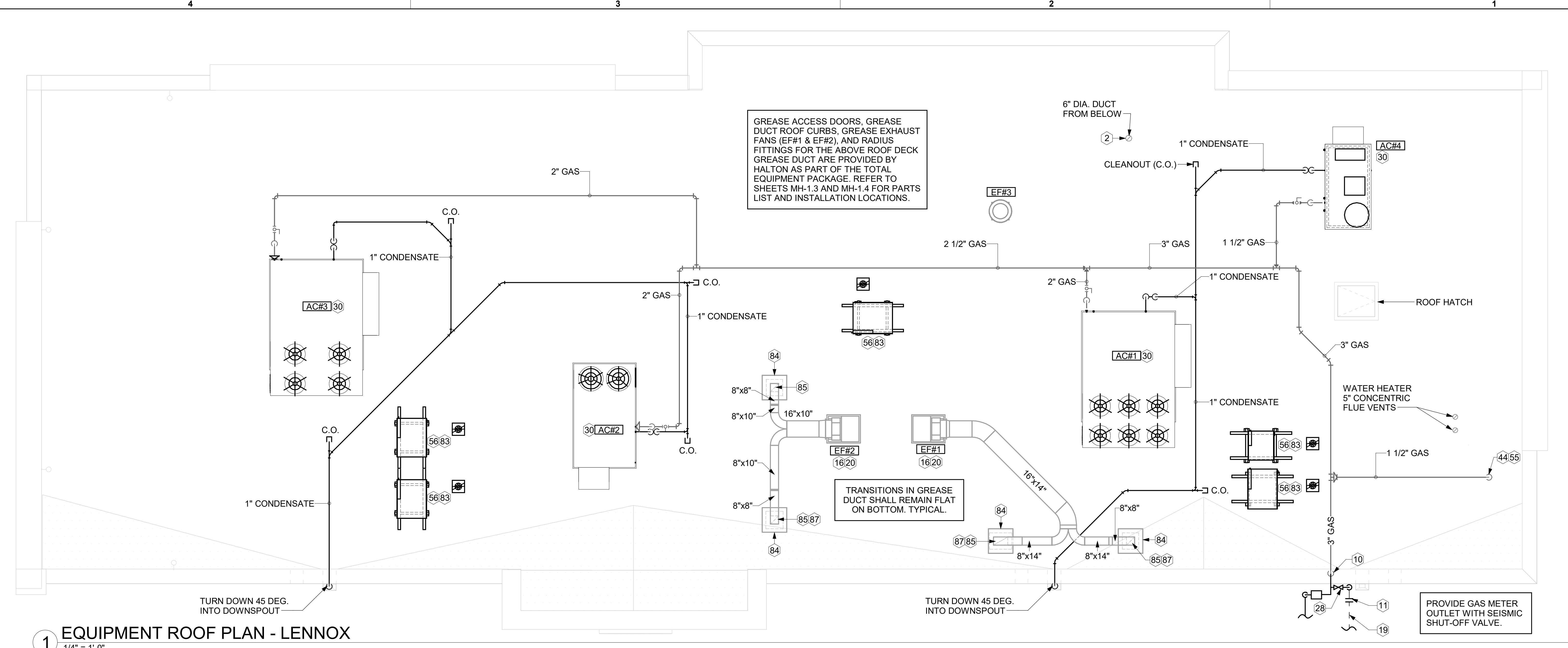
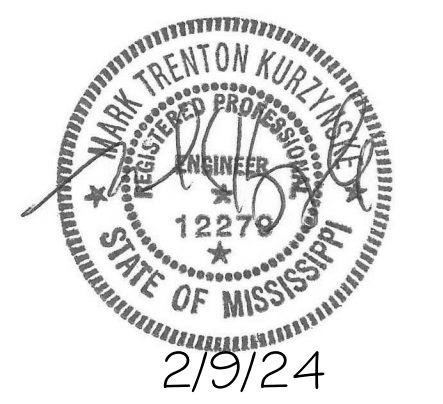




Chick-fil-A
 5200 Buffington Road
 Atlanta, Georgia
 30349-2998



Kurzynske & Associates
 2705 Lebanon Pike - Suite One
 Nashville, Tennessee 37214
 Telephone: (615) 255-5203



1 EQUIPMENT ROOF PLAN - LENNOX
 1/4" = 1'-0"

KEY NOTES

- 2 PROVIDE DUCT AS SHOWN. TERMINATE DUCT 24" ABOVE ROOF WITH ALUMINUM WEATHER CAP WITH INTEGRAL BIRD SCREEN. EXHAUST DUCT DISCHARGE SHALL BE LOCATED A MINIMUM OF 10 FT FROM ANY OUTSIDE AIR INTAKE.
- 10 TURN 3" GAS UP WITHIN WALL, THRU PARAPET AND ONTO ROOF.
- 11 ROUTE POLYETHYLENE GAS BELOW GRADE FROM THE METER. FOR TRANSITION FROM POLYETHYLENE PIPING BELOW GRADE TO STEEL AT THE METER, INSTALL ANODELESS RISER WITH INTEGRAL CONSTAB PE-TO-IPS TRANSITION FITTING BY CONTINENTAL INDUSTRIES OR EQUAL BY ELSTER.
- 16 VERIFY EXHAUST TERMINATION IS A MINIMUM 10'-0" FROM PARAPETS AND OUTSIDE AIR INTAKES. REFER TO MH-1.3 AND MH-1.4 FOR DETAILS.
- 19 1-1/2" GAS BELOW GRADE TO ORDER CANOPY. SEE DETAIL 2 SHEET M-103.
- 20 GREASE EXHAUST DUCT LOCATED ON ROOF SHALL SLOPE 1/4" PER FOOT TOWARDS THE HOOD, THE FAN, OR A COMBINATION OF THE TWO SUCH THAT NO PORTION OF THE RADIUS ELBOW AT THE CURB IS BELOW THE CURB CAP AND SUCH THAT THE FAN BASE SETS DIRECTLY ON THE CURB RAILS. THE BOTTOM OF THE RADIUS ELBOW MAY BE EVEN OR FLUSH WITH THE CURB CAP, BUT NOT BELOW THE CAP. THE DUCT AT THE FAN MUST BE CENTERED ON THE FAN INLET.
- 28 PROVIDE FULL PORT BALL VALVE EQUAL TO APOLLO 50GB SERIES WITH WINGS HANDLE OPTION ABOVE GRADE AT THE METER. PROVIDE BRASS VALVE TAG WITH JACK CHAIN AT VALVE MARKED "SERVICE SHUTOFF FOR CANOPY HEATERS."
- 30 MECHANICAL CONTRACTOR TO SEE ARCHITECTURAL ROOF PLAN FOR NOTES REGARDING LEVELING FRAMES FOR RTUS. COORDINATE WITH GENERAL CONTRACTOR EXACT LOCATIONS AND SIZE NEEDED.
- 44 1-1/2" GAS DOWN THRU ROOF TO WATER HEATER. SEE DETAIL 2/M-502 FOR MORE INFORMATION ON CONSTRUCTION AND PENETRATION.
- 55 SEE ARCHITECTURAL DETAILS FOR ROOFTOP PIPE PENETRATIONS.
- 56 GC SHALL PROVIDE EQUIPMENT STANDS AS MANUFACTURED BY AVCOA OR EQUAL. STANDS SHALL BE INSTALLED PRIOR TO ROOF INSULATION SO THAT THE INSULATION IS CONTINUOUS UP TO THE PIPE POSTS. POSTS SHALL BE FLASHED IN ACCORDANCE WITH ROOFING MANUFACTURER'S INSTALLATION INSTRUCTIONS. COORDINATE BLOCKING BELOW THE ROOF DECK AS REQUIRED.
- 83 DO NOT DISCHARGE OF CONDENSING UNITS INTO CONDENSER SECTION OF ROOFTOP UNITS, TYP.
- 84 ROOF CURB FOR DUCT PENETRATION. REFER TO MH-1.3 AND MH-1.4 FOR DETAILS.
- 85 TURN DOWN THRU ROOF. SEE M-101 FOR CONTINUATION.
- 87 DUCT PENETRATIONS ON ROOF MUST BE AT LEAST 18" FROM ADJACENT PARAPETS.

3. GAS LOAD SCHEDULE	
EQUIPMENT	GAS LOAD
AC#1	480,000 BTUS
AC#2	240,000 BTUS
AC#3	480,000 BTUS
AC#4	150,000 BTUS
IRH (2 @ 50,000 BTU EA.)	100,000 BTUS
IRH (FUTURE 4 @ 50,000 BTU EA.)	200,000 BTUS
WATER HEATER	398,000 BTUS
TOTAL FUTURE CONNECTED LOAD	2,048,000 BTUS
REMARKS:	1. EQUIVALENT TO 2,048.0 CFH 2. 7" W.C. DELIVERY PRESSURE 3. DEVELOPED LENGTH: 200 FT. (METER TO AC#3) 4. GAS PIPING SIZED FOR FUTURE LOAD

CHICK-FIL-A
 Horn Lake FSU
 4323 Goodman Road West
 Horn Lake, MS 38637

FSR#05540
 BUILDING TYPE / SIZE: P14 LSR BN
 RELEASE: 23.09
 PRINTED FOR: CONSTRUCTION
REVISION SCHEDULE

NO.	DATE	DESCRIPTION
1	02/09/2024	CFA Updates & Design Notes

CONSULTANT PROJECT # 24006.EH.S
 DATE 01/10/2024
 DRAWN BY BLM
 Information contained on this drawing and in all digital files produced for above named project may not be reproduced in any manner without express written or verbal consent from authorized project representatives.
 SHEET
EQUIPMENT ROOF PLAN - LENNOX
 SHEET NUMBER

M-102

Autodesk Docs://MS_05540_Horn Lake FSU_2023.10_FSR05540_Horn Lake FSU_K&A_MEC.rvt
 2/9/2024 9:29:21 AM
 30-LSR-05540-M-102-EQUIPMENT ROOF PLAN - LENNOX

ROOFTOP UNIT SCHEDULE - LENNOX

MARK	TOTAL COOLING MBH	SENSIBLE COOLING MBH	HEATING INPUT MBH	HEATING OUTPUT MBH	SUPPLY (CFM)	OA (CFM)	HP	ESP (in-wg)	EER	IEER/SEER	VOLTAGE (V)	PHASE	MCA (A)	MOCP (A)	MODEL	MANUFACTURER	REMARKS
AC#1	278.3	210.5	480	389	8,125	1,750	7.5	0.8	10.3	14.5	208	3	137	150	LGT300S4M	LENNOX	1,3,4,5,6,7,8,9,10,11,12,13,14,15
AC#2	139.2	101.4	240	194	4,375	1,075	3.75	0.8	10.8	14.6	208	3	63	80	LGT150H4E	LENNOX	1,3,4,5,6,7,8,9,10,11,12,13,14,15
AC#3	174.7	131.7	480	389	5,250	1,275	5	0.8	12	15	208	3	79	90	LGT180H4M	LENNOX	1,3,4,5,6,7,8,9,10,11,12,13,14,15
AC#4	60.1	44.8	150	121	1,750	425	1.5	0.8	12.7	17.1	208	3	25	35	LGT060H4E	LENNOX	2,3,4,5,6,7,8,9,10,11,12,13,14,15

NOTES

- MECHANICAL CONTRACTOR TO VERIFY LENNOX SUBMITTAL WITH CONSTRUCTION DOCUMENTS. NATIONAL ACCOUNT - NO SUBSTITUTIONS PERMITTED - SEE DRAWING G-004.

REMARKS

- DIFFERENTIAL ENTHALPY ECONOMIZER WITH POWER EXHAUST.
- DIFFERENTIAL ENTHALPY ECONOMIZER WITH BAROMETRIC EXHAUST.
- FULLY WELDED 14" HIGH SEISMIC ROOF CURB WITH INTEGRAL CURB CLIPS. (EARTHQUAKE ZONE - SEISMIC DESIGN CATEGORY D)
- SEE DETAIL 2/M-701 FOR SETTING OF CONTROL PARAMETERS BY MC.
- FACTORY INSTALLED 115V GFI SERVICE OUTLET. SEPERATE 115V CIRCUIT PROVIDED BY ELECTRICAL CONTRACTOR.
- FACTORY INSTALLED RETURN AIR SMOKE DETECTOR.
- FACTORY INSTALLED NON-FUSED DISCONNECT.
- 2" MERV 8 THROW AWAY FILTERS
- HINGED PANELS FOR ACCESS TO FILTER(S), FAN BLOWER & MOTOR, COMPRESSOR(S) ACCESS AND CONTROLS.
- FACTORY INSTALLED COIL HAIL GUARD.
- FACTORY HIGH FAULT (100K) SCCR RATING.
- HOT GAS DEHUMIDIFICATION OPTION WITH WALL MOUNTED HUMIDITY SENSOR.
- FACTORY PROVIDED, FIELD INSTALLED BELT TENSIONER.
- FACTORY CONFIGURED PHASE LOSS PROTECTION.
- FACTORY INSTALLED CONDENSATE PAN DRAIN OVERFLOW SWITCH.

HOOD SCHEDULE

MARK	EXHAUST CFM	SP @ TAB PORT (in-wg)	CAPTURE JET CFM @ S.P.	TYPE	COLLAR SIZE	WIDTH	DEPTH	HEIGHT	MANUFACTURER	MODEL	REMARKS
HOOD#1L	709	0.13	47 @ 0.30"	BACKSHELF	8"X8"	63"	37"	38"	HALTON	KVL-2-IC	1
HOOD#1R	1,204	0.13	80 @ 0.30"	BACKSHELF	14"X8"	107"	37"	38"	HALTON	KVL-2-IC	1
HOOD#2	701	0.3	30 @ 0.29"	BACKSHELF	8"X8"	45"	34"	38"	HALTON	KVL-C-IC	1
HOOD#3	701	0.3	30 @ 0.29"	BACKSHELF	8"X8"	42"	34"	38"	HALTON	KVL-C-IC	1

NOTES

- DIMENSIONS OF HOODS INCLUDE BACK AND SIDE SPACERS (HEIGHT DOES NOT INCLUDE CLOSURE PANELS). NATIONAL ACCOUNTS - NO SUBSTITUTIONS PERMITTED - SEE DRAWING G-004.

REMARKS

- REFER TO HOOD SHOP DRAWINGS FOR HOOD CONSTRUCTION AND OPTIONS. PRELIMINARY HOOD SHOP DRAWINGS ARE INCLUDED FOR REFERENCE ON SHEETS MH-1.1 AND MH-1.2.

HEATER SCHEDULE

MARK	HEATING INPUT		FRAME LENGTH	FRAME WIDTH	FRAME DEPTH	MOUNTING TYPE	VOLTAGE (V)	PHASE	FLA (A)	MOCP (A)	MODEL	MANUFACTURER	REMARKS
	ELECTRIC (kW)	GAS (MBH)											
EIH#1	6.00	0.0	56"	8.5"	3.5"	WALL BRACKET	208	1	29	40	BH0420035	BROMIC	1, 2, 3, 4
IRH	0.00	50.0	48"	13.4"	9.7"	BRACKET	120	1	0	0	WB50-N7-CM	SPACE RAY	1, 5, 6, 7

NOTES

- NATIONAL ACCOUNT NO SUBSTITUTIONS PERMITTED - SEE DRAWING G-004.
- CONFIRM HEATER QUANTITY WITH CANOPY SHOP DRAWINGS.

REMARKS

- STAINLESS STEEL LENS WITH BLACK EMISSIVE COATING.
- PROVIDE ENGRAVED PLASTIC LABEL AT EACH UNIT WITH UNIT DESIGNATION IN 1" HIGH WHITE LETTERS ON A BLACK BACKGROUND.
- PROVIDE BLACK HEATER WITH HIGH TEMPERATURE COATING, AND MANUFACTURER MOUNTING BRACKETS.
- PROVIDE BROMIC WALL MOUNTED ELECTRIC HEATER MODEL: BH0420035 FOR 220-240V SITES.
- STEEL BURNER WITH CERAMIC BURNER TILES.
- PROVIDE ENGRAVED PLASTIC LABEL AT EACH UNIT WITH UNIT DESIGNATION IN 1" HIGH WHITE LETTERS ON A BLACK BACKGROUND. MOUNT TO CANOPY DECK, FACING FORWARD, 12" Laterally FROM THE LONG SIDE OF THE HEATER.
- STAINLESS STEEL HEAT SHIELDS PROVIDED BY TOM BARROW COMPANY.

FAN SCHEDULE

MARK	FAN CFM	ESP (in-wg)	MOTOR RPM	HP	AREA SERVED	VOLTAGE (V)	PHASE	FLA (A)	MOCP (A)	MODEL	MANUFACTURER	REMARKS
CF#1	1,900	0.01	1,625	0.1	OUTDOOR CANOPY	120	1	1.1	20	U-18-TE-HD	TPI	20,21,24
EF#1	1,913	0.75	1,331	0.75	HOOD#1	120	1	0	25	KEFB-14-CFA	HALTON	1,2,3,4,5,6,7,8,9,10,11
EF#2	1,402	0.95	1,199	0.75	HOOD#2 & HOOD#3	115	1	0	25	KEFB-14-CFA	HALTON	1,2,3,4,5,6,7,8,9,10,11
EF#3	300	0.375	1,550	0.125	RESTROOMS	120	1	2.2	20	XRED-095-VG	ACCUREX	1,3,11,12,13,14,15,16
EF#4	75	0.26	900	0.02	RESTROOMS	120	1	0.2	0	SP-A90	GREENHECK	1,22,23
TF#1	450	0.3	1,144	0.127	TECH CLOSET	120	1	2.5	0	SP-A510-VG	GREENHECK	1, 17, 18, 19

NOTES

- GREASE EXHAUST FAN RPM BASED ON 80 DEGREE F AIR AT 1000 FEET ABOVE SEA LEVEL.

REMARKS

- FANS SUPPLIED BY HALTON.
- U.L. 705 LISTED AND LABELED FOR RESTUARANT APPLICATIONS.
- FACTORY INSTALLED PREWIRED DISCONNECT SWITCH.
- 19" HIGH ROOF CURB.
- INSTALL ROOFTOP SOLUTIONS G2 DRIP GUARD. MECHANICAL CONTRACTOR TO CONTACT ROOFTOP SOLUTIONS AT 800-913-7034.
- FACTORY WEATHER HOUSING W/ HINGED ACCESS DOOR.
- FACTORY DRAIN CONNECTION.
- FACTORY BOLTED ACCESS DOOR ON SCROLL.
- FACTORY INSTALLED BELT DRIVE WITH ADJUSTABLE MOTOR SHEAVE, SPARE BELT, AND BELT TENSIONER.
- FACTORY INSTALLED OUTLET WITH QUICK RELEASE, HINGED ACCESS, AND GRAVITY BACKDRAFT DAMPER.
- INTEGRAL THERMAL OVERLOAD.
- BIRDSCREEN.
- BACKDRAFT DAMPER IN DUCT BY MECHANICAL CONTRACTOR AS SHOWN ON 5/M-501.
- STARTER BY ELECTRICAL CONTRACTOR. INTERLOCK WITH LIGHTS BY ELECTRICAL CONTRACTOR.
- 12" HIGH CURB.
- FACTORY INSTALLED AND WIRED SPEED CONTROLLER.
- PROVIDE NEMA 1 PREWIRED DISCONNECT.
- INTEGRAL POTENTIOMETER ON FAN MOTOR. SET TO FULL SPEED.
- PROVIDE THERMOSTAT / TEMPERATURE CONTROLLER, SET TO 76°F.
- INSTALL PER MANUFACTURER'S RECOMMENDATIONS.
- PROVIDE WITH ON/OFF SWITCH.
- FAN SHALL BE CONTROLLED WITH THE ROOM LIGHTING. ALL WIRING IS BY THE ELECTRICAL CONTRACTOR.
- DIRECT DRIVE CEILING FAN. PROVIDE DISCONNECT SWITCH. INTEGRAL BACKDRAFT DAMPER, AND MANUFACTURER'S FAN SPEED CONTROLLER.
- FAN SUPPLIED BY TOM BARROW.

AIR DOOR SCHEDULE

MARK	CFM	VELOCITY (FPM)	HEATING (KW)	MOTOR HP	MCA (A)	MOCP (A)	VOLTAGE (V)	PHASE	AREA SERVED	MODEL	MANUFACTURER	REMARKS
AD#1	1,543	2,338	10	0.75	31.4	40	208	3	DRIVE THRU	CHA-1-48E	POWERED AIR	1,2,3,5
AD#2	1,197	2,443	0	0.75	8	20	120	1	SERVING	CHA-1-36	POWERED AIR	1,2,4
AD#3	3,867	4,218	0	0.75	8	20	120	1	REAR DOOR	RBT-1-48	POWERED AIR	4

NOTES

- NATIONAL ACCOUNT - NO SUBSTITUTIONS PERMITTED - SEE DRAWING G-004

REMARKS

- FACTORY PROVIDED, WIRED, AND UNIT MOUNTED SPEED CONTROLLER ABOVE CEILING.
- FACTORY WIRED DISCONNECT.
- FACTORY PROVIDED, FIELD INSTALLED BY MC, REMOTE WALL SWITCHES FOR HEATING ON/OFF AND FAN ON/AUTO SWITCH. SEE DETAILS ON M502.
- FACTORY PROVIDED MAGNETIC DOOR CONTACT WITH FACTORY INSTALLED LOW VOLTAGE CONTROLS LOCATED IN AIR DOOR CABINET.
- PROVIDE WITH A DIVERTER BOX. PROVIDE WITH MOUNTING BRACKETS PER MANUFACTURER'S RECOMMENDATIONS.

AIR DEVICE SCHEDULE

MARK	DESCRIPTION	LOCATION	NECK SIZE	FACE SIZE	FRAME TYPE	REMARKS
A	PRICE MODEL APDC ALUMINUM SUPPLY AIR DIFFUSER WITH INDIVIDUALLY ADJUSTABLE CURVED AIR PATTERN CONTROLLERS.	ENTIRE BUILDING	VARIABLES	24"x24"	LAY-IN	1,7,9
B	VARTHERM PLAQUE DIFFUSER	OFFICE	10"	24"x24"	LAY-IN	1,7,8,9
C	PRICE MODEL SMCD STEEL SUPPLY AIR DIFFUSER FIELD ADJUSTABLE AIR PATTERN CONTROLLERS.	ENTRY	14"x14"	19"x19"	BEVELLED	1,3,5,6,9
D	PRICE MODEL APDC ALUMINUM SUPPLY AIR DIFFUSER WITH INDIVIDUALLY ADJUSTABLE CURVED AIR PATTERN CONTROLLERS.	DINING/ KITCHEN	VARIABLES	16"x16"	SURFACE	1,3,5,6,9
E	PRICE MODEL 22 DOUBLE DEFLECTION ALUMINUM SIDEWALL SUPPLY GRILLE, FRONT BLADE PARALLEL TO LONG SIDE.	PLAY AREA	12"x10"	14"x12"	SURFACE	1
F	PRICE MODEL 80 EGGGRATE RETURN AIR GRILLE WITH REMOVABLE WHITE CORE, FACTORY FLAT BLACK BACKPAN AND ROUND NECK.	DINING/ OFFICE/ KITCHEN	VARIABLES	24"x24"	LAY-IN	1,7,9
J	PRICE MODEL SMCD STEEL SUPPLY AIR DIFFUSER FIELD ADJUSTABLE AIR PATTERN CONTROLLERS.	RESTROOMS	10"x10"	15"x15"	BEVELLED	1,2,3,5,6,9
K	PRICE MODEL APDDR ALUMINUM PERFORATED FACE RETURN AIR GRILLE.	RESTROOMS/ ENTRY	14"x14"	16"x16"	SURFACE	1,4,5,6,9
L	PRICE MODEL 21 ALUMINUM SIDEWALL RETURN GRILLE, FRONT BLADE PARALLEL TO LONG SIDE.	PLAY AREA	14"x14"	16"x16"	SURFACE	1

NOTES

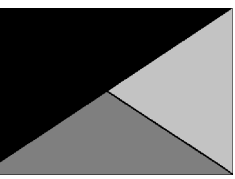
- NATIONAL ACCOUNT - NO SUBSTITUTIONS PERMITTED - SEE DRAWING G-004

REMARKS

- STANDARD OFF WHITE FINISH.
- PROVIDE MODEL VCS3 NECK DAMPER.
- SEE DRAWING M-101 FOR THROW.
- PROVIDE MODEL VCR7 NECK DAMPER ON GRILLES IN RESTROOMS SERVING EXHAUST FAN.
- PROVIDE BACKPAN, MC TO SEAL JOINTS WITH MASTIC AND INSULATE EXTERNALLY.
- FIELD INSULATE BACKPAN AS SHOWN ON DETAIL 3/M-501.
- FACTORY INSULATED R-6 BACKPAN.
- PROVIDE RELIEF COLLAR ACCESSORY FOR VAV DIFFUSER.
- PROVIDE WITH EARTHQUAKE TABS.



Chick-fil-A
 5200 Buffington Road
 Atlanta, Georgia
 30349-2998



Kurzynske & Associates
 2705 Lebanon Pike - Suite One
 Nashville, Tennessee 37214
 Telephone: (615) 255-5203



CHICK-FIL-A
 Horn Lake FSU

4323 Goodman Road West
 Horn Lake, MS 38637

FSR#05540

BUILDING TYPE / SIZE: P14 LSR BN
 RELEASE: 23.09
 PRINTED FOR: CONSTRUCTION

NO.	DATE	DESCRIPTION
1	02/09/2024	CFA Updates & Design Notes

CONSULTANT PROJECT # 24006.EH.S
 DATE 01/10/2024
 DRAWN BY BLM

Information contained on this drawing and in all digital files produced for above named project may not be reproduced in any manner without express written or verbal consent from authorized project representatives.

SHEET HVAC EQUIPMENT SCHEDULES - LENNOX

SHEET NUMBER

M-601

DIVISION 15 SPECIFICATIONS

PART I - GENERAL

1.01 SCOPE

- A. IT IS THE RESPONSIBILITY OF CONTRACTOR TO READ ALL SPECIFICATIONS AND CONSULT ALL DRAWINGS WHICH MAY AFFECT THE INSTALLATION AND COORDINATION OF WORK WITH OTHER TRADES. CONTRACTOR SHALL COORDINATE AND MAKE MINOR ADJUSTMENTS IN LOCATION OF EQUIPMENT AND MATERIALS AS NECESSARY FOR COORDINATION.
- B. COMPLETED INSTALLATION SHALL CONFORM TO ALL APPLICABLE FEDERAL, STATE AND LOCAL CODES AND ORDINANCES.
- C. SYSTEM LAYOUT IS SCHEMATIC AND EXACT LOCATIONS SHALL BE DETERMINED BY STRUCTURAL CONDITIONS, COORDINATION WITH OTHER TRADES, COORDINATION WITH FINISHES AND OTHER CONDITIONS. STRUCTURAL SUPPORTS SHALL NOT BE CUT OR ALTERED TO ASSURE FIT OF HVAC SYSTEM. TEN FOOT CLEARANCE SHALL BE MAINTAINED BETWEEN OUTSIDE AIR INTAKES AND EXHAUST FANS AND PLUMBING VENT TERMINALS.
- D. CONTRACTOR SHALL BE RESPONSIBLE FOR ALL DEFECTS, REPAIRS AND REPLACEMENTS IN MATERIALS AND WORKMANSHIP FOR A PERIOD OF ONE (1) YEAR AFTER FINAL PAYMENT IS APPROVED. CONTRACTOR SHALL HONOR FACTORY WARRANTIES ON ALL EQUIPMENT PROVIDED AS PART OF THIS SYSTEM.
- E. UPON COMPLETION OF PROJECT, ALL SYSTEM EQUIPMENT AND MATERIALS SHALL BE IN NEW, CLEAN CONDITION WITH ALL DAMAGE RESTORED TO CONDITION ACCEPTABLE TO THE OWNERS REPRESENTATIVE. ALL EQUIPMENT, COMPONENTS, DUCTWORK AND AIR DEVICES SHALL BE INSPECTED AND THOROUGHLY CLEANED, CLEARED OF DEBRIS, AND READY FOR USE. AT COMPLETION OF JOB, ALL MISCELLANEOUS TOOLS, SCAFFOLDING, SURPLUS MATERIALS, RUBBISH AND DEBRIS SHALL BE REMOVED BY CONTRACTOR.
- F. CONTRACTOR SHALL PROVIDE TWO SETS OF 2" MERV 8 OR HIGHER THROW AWAY TYPE FILTERS. A CLEAN SET SHALL BE PROVIDED PRIOR TO TEST AND BALANCE AND AGAIN PRIOR TO OPENING.

PART II - PRODUCTS

2.01 HEATING AND COOLING EQUIPMENT

- A. FURNISH AND INSTALL R-410A ROOF-TOP SINGLE PACKAGE COMBINATION ELECTRIC COOLING AND NATURAL GAS FIRED HEATING UNITS AS SHOWN ON DRAWINGS. EQUIPMENT SHALL BE ARI CERTIFIED AND A.G.A. AND U.L. LISTED.
- B. ACCESSORIES SHALL INCLUDE LOW AND HIGH PRESSURE SAFETIES, CRANK CASE HEATER, OVERCURRENT AND OVERTEMPERATURE SAFETY, COMPRESSOR VIBRATION ISOLATORS, FILTER DRIERS, REFRIGERANT SERVICE VALVES, COIL HAIL GUARDS WHERE SCHEDULED, CONVENIENCE OUTLETS FACTORY INSTALLED ON SCHEDULED UNITS, UNIT MOUNTED NON-FUSED DISCONNECTS, LOW AMBIENT OPERATION DOWN TO 30 DEGREES F AND EVAPORATOR FREEZE STAT.
- C. COMPRESSORS SHALL BE HERMETIC SCROLL TYPE WITH INTERNAL VIBRATION ISOLATORS. COMPRESSORS SHALL BE PROVIDED WITH A MINIMUM FIVE (5) YEAR FULL WARRANTY.
- D. THE UNIT HEAT EXCHANGERS SHALL BE ALUMINIZED STEEL COATING. HEATING CONTROLS SHALL CONSIST OF REDUNDANT GAS VALVES, INTERMITTENT PILOT WITH ELECTRONIC SPARK OR HOT PLATE IGNITION SYSTEM, COMBUSTION/EXHAUST FAN PROTECTED BY CENTRIFUGAL SWITCHES, HEAT LIMIT SWITCHES, TIME-DELAY RELAY, FLAME, AND PILOT SENSORS. HEAT EXCHANGERS SHALL HAVE A TEN (10) YEAR WARRANTY. BURNERS SHALL BE IN-SHOT TYPE. THE DRAFT MOTOR SHALL BE MONITORED BY THE CONTROL SYSTEM.

2.02 DUCTWORK (C15735)

- A. ACCEPTABLE MANUFACTURERS OF INSULATION SHALL BE: JOHNS MANVILLE, OWENS CORNING OR KNAUF.
- B. ALL DUCTWORK SHALL BE SHEET METAL, UNLESS NOTED OTHERWISE (U.N.O.).
- C. DUCT DIMENSIONS SHOWN ARE INSIDE CLEAR DIMENSIONS, U.N.O.
- D. CONSTRUCTION OF DUCTWORK SHALL MEET SMACNA 1" W.C. PRESSURE CLASS STANDARD AND RECOMMENDATIONS. SMACNA SHALL BE FOLLOWED WITH RESPECT TO GAGE THICKNESS, JOINTS, REINFORCING, CONSTRUCTION, INSTALLATION AND SUPPORT FOR PRESSURE CLASS STATED. ALL TRANSVERSE JOINTS IN RECTANGULAR AND ROUND DUCT INCLUDING DUCT CONNECTION TO AIR DEVICE COLLAR SHALL BE SEALED PER SMACNA SEAL CLASS C WITH U.L. DUCT MASTIC SEALANT APPROVED FOR INTENDED USE. DUCT TAPE IS NOT AN ACCEPTABLE SUBSTITUTE FOR MASTIC UNLESS EQUAL TO HARDCAST FOIL-GRIP 1402 BUTYL RUBBER ADHESIVE TAPE.
- E. DUCT SHALL BE SUPPORTED AT BASE OF DUCT DROPS. CURB DUCT RAILS ARE NOT INTENDED TO AND SHALL NOT SUPPORT THE WEIGHT OF THE DUCT.
- F. ALL DUCT WRAP SHALL BE MINIMUM 2" THICK, 3/4 PCF AND 6 R-VALUE INSTALLED WITH EITHER A VAPOR BARRIER WITH MAXIMUM PERMEANCE 0.05 OR A MINIMUM 2 MIL ALUMINUM REINFORCED FOIL/KRAFT FACING.
- G. ALL DUCT DROPS FROM THE ROOFTOP UNITS SHALL BE EXTERNALLY INSULATED.
- H. SUPPLY AND RETURN AIR DUCTWORK SERVING ALL AREAS SHALL BE EXTERNALLY INSULATED.
- I. ALL AIR CONVEYANCE COMPONENTS SUCH AS, BUT NOT LIMITED TO DUCT, DUCT PLENUMS, GRILLES/DIFFUSERS, BACK PANS, AND BOOTS SHALL BE INSULATED. INSULATION TYPE IS COVERED ELSEWHERE IN THIS SPECIFICATION.
- J. RESTROOM RECTANGULAR EXHAUST AIR DUCTWORK SHALL BE LINED WITH 1" THICK, 1-1/2 PCF INSULATION. RESTROOM ROUND EXHAUST DUCT SHALL BE EXTERNALLY INSULATED PER SECTION 2.02F.
- K. DUCT DROPS SHALL BE ISOLATED FROM UNIT VIBRATION WITH THE USE OF NFPA AND U.L. APPROVED FLEXIBLE CONNECTORS INSTALLED AT THE TOP OF BOTH SUPPLY AND RETURN DROPS.
- L. INSULATED FLEXIBLE DUCT MAY BE UTILIZED FOR RUNOUTS TO GRILLES AND DIFFUSERS ONLY IN THE HORIZONTAL POSITION AND IN MAXIMUM LENGTHS OF 4'-0", NO EXCEPTIONS.
- M. CONSTRUCTION OF FLEXIBLE DUCTWORK SHALL INCLUDE SPIRAL METAL HELIX BONDED TO A POLYESTER CORE, FIBERGLASS INSULATION WITH POLYETHYLENE OR MYLAR VAPOR BARRIER, ALL COMPONENTS SHALL HAVE APPROPRIATE U.L. APPROVAL AND SHALL BE EQUIVALENT TO THERMAFLEX MKE. FLEX DUCT SHALL HAVE A MINIMUM R-VALUE OF 6.
- N. FLEXIBLE DUCT SHALL BE INSTALLED PER THE "ADC FLEXIBLE DUCT PERFORMANCE AND INSTALLATION STANDARDS, 4TH ED" USING FOIL TAPE AND DRAWBAND ON THE INNER CORE AND TAPE OR DRAWBAND ON THE OUTER JACKET.
- O. DUCT TAPE SHALL BE EQUAL TO FASSON 181-B FX, 2-1/2" WIDE.
- P. SINGLE THICKNESS TURNING VANES SHALL BE INSTALLED AT ALL 90 DEGREE ELBOWS WHERE THE CENTERLINE RADIUS (R) IS LESS THAN THE WIDTH OF THE DUCT AND ANY ONE DIMENSION IS GREATER THAN 12".
- Q. EXTERNAL INSULATION ON BOTTOM OF DUCTS 24" OR WIDER SHALL BE SUPPORTED WITH STICK PINS ON 18" CENTERS. STICK PIN WASHERS SHALL BE COVERED WITH DUCT TAPE OR MASTIC.

2.03 CONTROLS

- A. SYSTEMS SHALL BE COMPLETE WITH CONNECTIONS TO CFA-500 TEMPERATURE CONTROL PANEL AS MANUFACTURED BY SUNCOAST ENVIRONMENTAL CONTROLS (S.E.C.) (PH: 877-544-6679). THE PANEL IS PROVIDED AND MOUNTED BY THE ELECTRICAL CONTRACTOR. CONTROL WIRING TERMINATIONS ARE BY THE MECHANICAL CONTRACTOR WHERE PERMITTED BY AHJ.
- B. THE SMOKE DETECTORS SHALL BE FACTORY INSTALLED AND WIRED BY THE ROOFTOP UNIT MANUFACTURER.
- C. A FACTORY INSTALLED SMOKE DETECTOR IN THE RETURN AIR SECTION OF EACH AIR CONDITIONING UNIT SHALL STOP THE INDOOR FAN AND CLOSE THE OUTSIDE AIR DAMPER IN THE EVENT OF EXCESSIVE TEMPERATURE OR SMOKE. SMOKE DETECTOR SHALL BE LOCATED PRIOR TO ANY EXHAUST FROM THE BUILDING OR MIXING WITH FRESH AIR MAKE-UP. UPON DETECTION, THE SYSTEM SHALL NOT RESTART UNTIL THE DEVICE IS MANUALLY RESET. DEVICES SHALL BE LOCATED WHERE THEY CAN BE EASILY ACCESSED AND WHERE CLEAR OF FILTERS.
- D. CHICK-FIL-A HAS A NATIONAL ACCOUNT WITH SUNCOAST ENVIRONMENTAL CONTROLS FOR THE SMOKE DETECTOR TEST/RESET ANNUNCIATOR STATIONS. THE TEST/RESET STATIONS WILL BE PURCHASED BY THE ELECTRICAL CONTRACTOR AS A PART OF A NATIONAL ACCOUNT PACKAGE AND TURNED OVER TO THE MECHANICAL CONTRACTOR FOR INSTALLATION.
- E. THE REMOTE TEST/RESET ANNUNCIATORS SHALL BE PROVIDED BY THE ELECTRICAL CONTRACTOR AND INSTALLED BY THE MECHANICAL CONTRACTOR. INSTALLATION BY MECHANICAL SHALL INCLUDE MOUNTING OF THE ANNUNCIATORS AND ALL WIRING FROM EACH DEVICE TO THE RTU. ELECTRICAL WILL PROVIDE A JUNCTION BOX IN THE WALL WITH 1/2" CONDUIT STUBBED UP ABOVE THE CEILING FOR EACH REMOTE TEST STATION AS SHOWN ON THE ELECTRICAL PLANS. ANNUNCIATOR SHALL BE SUNCOAST CONTROLS REMOTE TEST/RESET STATION WITH POWER LED, TROUBLE LED, ALARM LED, 90DB HORN AND TEST/RESET BUTTON.
- F. THE RESTROOM FAN SHALL BE INTERLOCKED TO THE LIGHTS SERVING THE MEN AND WOMEN'S RESTROOMS. THE HOOD FANS SHALL BE CONTROLLED VIA THE SUNCOAST CFA-500 CONTROL PANEL. WIRING, RELAYS AND SWITCHES FOR CONTROL OF ALL FANS ARE BY ELECTRICAL CONTRACTOR.
- G. THERMOSTATS ARE PROVIDED AND INTEGRATED INTO THE TEMPERATURE CONTROL PANEL BY SUNCOAST ENVIRONMENTAL CONTROLS. SUNCOAST WILL PROVIDE A NETWORK THERMOSTAT US32-CFA THERMOSTAT PRE-WIRED IN THE TEMPERATURE CONTROL PANEL. REMOTE TEMPERATURE SENSOR(S) FOR EACH THERMOSTAT IS ALSO PROVIDED. MECHANICAL CONTRACTOR SHALL INSTALL ALL WIRING BETWEEN THE THERMOSTAT, THE REMOTE SENSOR(S) AND THE ROOFTOP UNIT.
- H. MECHANICAL CONTRACTOR SHALL INSTALL CONTROL WIRING IN 1/2" CONDUIT WHERE REQUIRED BY CODE. WHERE NOT REQUIRED TO BE IN CONDUIT, ALL WIRING SHALL BE RUN PARALLEL TO STRUCTURAL MEMBERS OR PERPENDICULAR WITH NO DIAGONAL ROUTING. ALL WIRING SHALL BE SECURED TO THE FRAMING TO PREVENT SAGGING IN RUNS. WIRING TO ROOFTOP UNITS SHALL BE ROUTED THROUGH THE FACTORY THRU-BASE FITTING IN THE UNIT BASE. NO SPLICING OF WIRING WILL BE ACCEPTED. ALL WIRING ABOVE THE ROOF SHALL BE INSTALLED IN EXTERIOR GRADE FLEXIBLE CONDUIT. ALL CONTROL WIRING AND CONTROL WIRING CONDUIT SHALL BE FURNISHED AND INSTALLED BY THE MECHANICAL CONTRACTOR. WIRING SHALL BE INSTALLED IN ACCORDANCE WITH LATEST EDITION OF NEC. ALL LOW VOLTAGE CONTROL WIRING SHALL BE NO LESS THAN 18 AWG MIN. CONTROL WIRING CONDUCTORS SHALL BE SIZED TO ACCOUNT FOR LOAD AND LENGTH OF RUN TO ALLOW SUFFICIENT VOLTAGE AVAILABLE AT CONTROLLED DEVICE TO OPERATE THE SYSTEM RELIABLY.

2.04 PIPING

- A. ALL ABOVE GRADE NATURAL GAS PIPING SHALL BE SCHEDULE 40 STEEL MEETING ASTM A53 WITH SCREWED OR WELDED FITTINGS AND GASKET TYPE UNIONS AND FLANGES. FOR SCREWED PIPING, PIPING SHALL BE JOINED WITH BLACK 150 POUND MALLEABLE IRON SCREWED FITTINGS AS ALLOWED BY LOCAL AUTHORITY. CONTRACTOR SHALL VERIFY THE NEED FOR WELDED PIPING AS REQUIRED BY THE LOCAL GAS CODE AND/OR APPLICABLE LOCAL ORDINANCES AND AMENDMENTS.
- B. ALL BELOW GRADE NATURAL GAS PIPING SHALL BE MEDIUM DENSITY POLYETHYLENE (PE) MEETING ASTM D2513 AS MANUFACTURED BY GASTITE WITH JOINING SYSTEM AS MANUFACTURED BY CON-STAB. TRANSITIONS FROM ABOVE GRADE RIGID PIPING TO PE BELOW GRADE PIPING SHALL BE MADE WITH ANODE-LESS RISER ASSEMBLY AS MANUFACTURED BY CON-STAB.

- C. PROVIDE AND INSTALL A CUT-OFF VALVE, UNION AND FULL SIZE DIRT LEG AT CONNECTION TO EACH GAS-FIRED PIECE OF EQUIPMENT. INSTALL PIPING AT AND AROUND EQUIPMENT SO AS TO NO WAY OBSTRUCT EQUIPMENT ACCESS PANELS AND/OR ACCESS DOORS.
- D. ALL GAS PIPING ABOVE ROOF SHALL BE CLEANED FREE OF RUST AND PAINTED WITH COAT OF ZINC RUST PRIMER AND ONE COAT OF ALUMINUM BASE PAINT. METER AND GAS RISER SHALL BE PRIMED AND PAINTED TO MATCH BUILDING.

- E. NATURAL GAS PIPING SHALL BE LEAK TESTED IN ACCORDANCE WITH APPLICABLE CODE REQUIREMENTS AND MANUFACTURERS RECOMMENDATIONS.

PART III - EXECUTION

3.01 SCOPE

- A. FURNISH AND INSTALL SYSTEM IN ACCORDANCE WITH REFERENCED STANDARDS, APPLICABLE CODES, MANUFACTURER'S RECOMMENDATIONS AND AS INDICATED ON DRAWINGS.
- B. CONTRACTOR SHALL INSTRUCT THE OWNER'S REPRESENTATIVE IN ALL MATTERS PERTAINING TO THE PROPER MAINTENANCE OF EQUIPMENT FURNISHED UNDER THIS CONTRACT THROUGH DEMONSTRATION AND EXPLANATION OF OPERATING & MAINTENANCE MANUALS.
- C. CONTRACTOR SHALL PROVIDE A "SAMPLE MAINTENANCE PROPOSAL" TO THE OWNER'S REPRESENTATIVE IN ALL MATTERS PERTAINING TO THE PROPER MAINTENANCE OF EQUIPMENT FURNISHED UNDER THIS CONTRACT.
- D. CONTRACTOR SHALL COMPLETE A/C EQUIPMENT STARTUP DOCUMENTATION PROVIDED BY OWNER AND/OR MANUFACTURER. THIS SHALL INCLUDE RE-TORQUE OF ALL FIELD AND FACTORY HIGH VOLTAGE CONNECTIONS.

3.02 LEED PROJECTS

- A. CONTRACTOR SHALL COMPLETE RECEIPT INSPECTION CHECKLISTS PROVIDED IN THE COMMISSIONING PLAN WITHIN 5 DAYS OF RECEIVING EQUIPMENT ON SITE.
- B. CONTRACTOR SHALL COMPLETE PRE-FUNCTIONAL CHECKLISTS PROVIDED IN THE COMMISSIONING PLAN. CHECKLISTS SHALL BE RETURNED AT LEAST 5 DAYS PRIOR TO SCHEDULING FUNCTIONAL PERFORMANCE TESTING.
- C. CONTRACTOR SHALL PROVIDE A TECHNICIAN TO ASSIST THE THIRD PARTY COMMISSIONING AUTHORITY WITH FUNCTIONAL TESTING. FUNCTIONAL TESTING SHALL OCCUR AFTER ALL CONTROLS HAVE BEEN INSTALLED AND VERIFIED AND AFTER TEST AND BALANCE IS COMPLETE. THE FUNCTIONAL PERFORMANCE TEST PROCEDURES CAN BE FOUND IN THE COMMISSIONING PLAN.
- D. IF THE TOTAL TIME REQUIRED TO CORRECT PROBLEMS DURING TESTING IS GREATER THAN FORTY-FIVE (45) MINUTES (UNLESS EXTENUATING CIRCUMSTANCES EXIST), THE TEST SHALL BE CONSIDERED FAILED AND MUST BE REPEATED IN ITS ENTIRETY.
- E. RE-TESTING: DURING THE COURSE OF THE RETEST, IF AT ANY POINT A MAJOR DEFICIENCY IS DISCOVERED, THE TEST WILL BE STOPPED. REPEAT TESTS UNTIL ACCEPTABLE RESULTS ARE ACHIEVED. IF MORE THAN TWO FUNCTIONAL PERFORMANCE TESTS (ONE INITIAL TEST AND ONE RETEST) FOR ANY TYPE OF EQUIPMENT DUE TO ISSUES THAT THE CONTRACTOR HAD DIRECT OR INDIRECT CONTROL OVER ARE REQUIRED, THE COSTS FOR THE CXA TO WITNESS RETESTING OF SIMILAR TYPES OF EQUIPMENT UNTIL SATISFACTORY RESULTS ARE OBTAINED SHALL BE THE RESPONSIBILITY OF THE CONTRACTOR.

3.03 TEST & BALANCE

- A. OWNER SHALL TEST AND BALANCE MECHANICAL SYSTEM IN ACCORDANCE WITH NEBB, NBC OR AABC STANDARDS TO ASSURE CONFORMANCE WITH DESIGN. G.C. WILL MAKE MECHANICAL CONTRACTOR AVAILABLE DURING TEST AND BALANCE TO ASSIST TESTING AGENCY AND TO MAKE CORRECTIONS IMMEDIATELY NECESSARY. CONTRACTOR SHALL CORRECT ITEMS ON WRITTEN TEST AND BALANCE REPORT.
- B. ALL EQUIPMENT TO BE BALANCED MUST HAVE GONE THRU SUCCESSFUL START-UP PROCEDURE BY THE MECHANICAL CONTRACTOR (MC) PRIOR TO TAB VISIT.
- C. THE FLOOR OF THE RESTAURANT SHALL BE CLEARED OF DEBRIS, STAGED CONSTRUCTION MATERIALS, EQUIPMENT, ETC. WHICH MAY, IN THE OPINION OF THE TAB TECHNICIAN, OBSTRUCT ACCESS TO AIR DISTRIBUTION COMPONENTS IN AND ABOVE THE CEILING.
- D. EQUIPMENT ACCESS PANELS, DUCT AIR DEVICES SUCH AS BALANCING DAMPERS AND ACTUATORS SHALL BE ACCESSIBLE AND CLEAR OF PIPING, CONDUIT, FRAMING, SUPPORTS ETC..
- E. PROVIDE AN 8 FT PORTABLE A-FRAME STYLE LADDER DEDICATED FOR THE TAB TECHNICIAN'S USE DURING THE ENTIRE TAB EFFORT DURATION.

KITCHEN HOOD SYSTEMS NOTES

1. CHICK-FIL-A MAINTAINS A NATIONAL ACCOUNT WITH HALTON CO. FOR THE HOODS. CHICK-FIL-A WILL PURCHASE AND PROVIDE THE HOODS FOR INSTALLATION BY THE MECHANICAL CONTRACTOR. THE MECHANICAL CONTRACTOR SHALL BE RESPONSIBLE FOR RECEIVING THE HOODS. CONTACT HALTON CO. AT 270-237-5600 FOR MORE INFO.
2. THE FIRE SUPPRESSION SYSTEM SHALL CONSIST OF A COMPLETE WET CHEMICAL SYSTEM FURNISHED BY HALTON. THE HOOD SHALL BE FURNISHED PRE-PIPED BY HALTON.
3. THE FIRE SUPPRESSION SYSTEM EXTERNAL TO THE HOODS SHALL BE INSTALLED IN ACCORDANCE WITH HOOD MANUFACTURER'S SHOP DRAWINGS BY AN AUTHORIZED INSTALLER SELECTED AND HIRED BY HALTON. COST FOR INSTALLATION INCLUDED IN PRICE OF HOODS TO CFA.
4. HOOD EXHAUST DUCTWORK SHALL BE 16 GA. BLACK STEEL WITH CONTINUOUS LIQUID TIGHT WELD OF JOINTS & SEAMS.
5. TURNS IN GREASE EXHAUST DUCTWORK SHALL BE LONG RADIUS TYPE, WITH A CENTERLINE RADIUS R=3W/2, UNLESS OTHERWISE NOTED. NO MITERED FITTINGS ALLOWED.
6. ALL STAINLESS STEEL CLOSURE PANELS SHALL BE SUPPLIED BY HOOD MANUFACTURER AND INSTALLED BY THE MECHANICAL CONTRACTOR ACCORDING TO MANUFACTURER'S RECOMMENDATIONS.
7. SLOPE ALL GREASE EXHAUST DUCT BACK TO HOOD AT 1/4" PER FOOT OF RUN.
8. WRAP NEW GREASE DUCT WITH UNIFRAX FYREWRAPE. INSULATION ON ACCESS DOORS SHALL BE INSTALLED ACCORDING TO MANUFACTURER'S INSTALLATION RECOMMENDATIONS. UNIFRAX FYREWRAPE PRODUCT USED SHALL MEET LOCAL CODE REQUIREMENTS.
9. SUPPORT ALL HOODS WITH THREADED ROD AT EACH FACTORY SUPPORT POINT. EACH SUPPORT POINT MUST SUPPORT THE HOOD WEIGHT EQUALLY. ATTACH TO STRUCTURE AS DETAIL ON STRUCTURAL DRAWINGS. ATTACH HOOD TO WALL AT 6" INTERVALS ALONG FULL LENGTH OF HOOD ON TOP AND BOTTOM. ATTACHMENT TO WALL REQUIRES FIELD DRILLING OF SUPPORT ANGLE AT BACK OF HOODS. EACH WALL ATTACHMENT POINT MUST OCCUR AT A WALL STUD. ATTACHMENT HARDWARE TO BE #12-24 HEX HEAD SHEET METAL SCREW EQUAL TO TEXTRON SDS EDT265, LENGTH AS REQUIRED TO FULLY PENETRATE THE STUD.
10. MECHANICAL CONTRACTOR TO PROVIDE AND INSTALL SUNCOAST H.E.S. SYSTEM FOR ALL HOODS. SEE HOOD FAN/EQUIPMENT INTERLOCK WIRING DIAGRAM ON M-702 FOR MORE INFORMATION.

LEGEND

A-12-400	TYPE - NECK SIZE - CFM	[EF#1]	EXHAUST FAN #1 (TYP.)
	SPIN-IN FITTING WITH MANUAL BALANCING DAMPER, WITHOUT SCOOP	[AC#1]	AIR CONDITIONING UNIT #1 (TYP.)
	SPIN-IN HARD ϕ FLEXIBLE ϕ DIFFUSER		RETURN/EXHAUST (TYP.)
	REMOTE TEMPERATURE SENSOR		SUPPLY DIFFUSER, SQ FACE (TYP.)
	HUMIDITY SENSOR		PLAN NOTE REFERENCE
	SMOKE DETECTOR		MANUAL VOLUME DAMPER
12x18	DUCT SIZE (reverse for elevation views)		DIRECTION OF THROW ON DIFFUSER
	1ST NUMBER - HORIZONTAL DIMENSION 2ND NUMBER - VERTICAL DIMENSION		CLOSED AIR PATTERN DEFLECTOR
	AIR DOOR SWITCH		GAS INFRARED HEATER (TYP.)
EIH	ELECTRIC INFRARED HEATER	B/G	BELOW GRADE
		T	THERMOSTAT

ABBREVIATIONS

EC	ELECTRICAL CONTRACTOR
GC	GENERAL CONTRACTOR
MC	MECHANICAL CONTRACTOR
PC	PLUMBING CONTRACTOR
O.C.	ON CENTER
IRH	INFRARED HEATER
CF	CIRCULATING FAN
TF	TRANSFER FAN
EF	EXHAUST FAN

GENERAL NOTES

1. DUCT SIZES SERVING DIFFUSERS AND GRILLES ARE SAME SIZE AS DIFFUSER OR GRILLE NECK UNLESS NOTED OTHERWISE.
2. FLEXIBLE DUCT AND INSULATION NOT SHOWN FOR CLARITY.
3. FOR ALL ROOF EQUIPMENT, PROVIDE A PLASTIC ENGRAVED LABEL WITH 1" HIGH WHITE LETTERS ON A BLACK BACKGROUND. WITH A SELF ADHESIVE BACKING.
4. UNLESS NOTED OTHERWISE, MC TO ADJUST ALL DIFFUSER AIR PATTERN DEFLECTORS TO THROW HORIZONTALLY ALONG THE CEILING.
5. ALL EXHAUST DUCTWORK AND UNFINISHED METAL ON ROOF EXCEPT STAINLESS SHALL BE PREPARED WITH TWO COATS OF SHERWIN WILLIAMS PRO INDUSTRIAL DTM ACRYLIC COATING, SEMI-GLOSS, WHITE. DEGREASE AND PRIME BARE METAL SURFACE WITH ONE COAT OF SHERWIN WILLIAMS PRO INDUSTRIAL PRO-CRYLACRYLIC UNIVERSAL PRIMER, WHITE, PRIOR TO PAINTING.
6. MAINTAIN 18" CLEARANCE FROM GREASE EXHAUST DUCTWORK ABOVE ROOF TO ANY COMBUSTIBLE CONSTRUCTION INCLUDING PARAPET WALLS.



Chick-fil-A
Chick-fil-A
5200 Buffington Road
Atlanta, Georgia
30349-2998



Kurzynske & Associates
 2705 Lebanon Pike - Suite One
 Nashville, Tennessee 37214
 Telephone: (615) 255-5203



CHICK-FIL-A
Horn Lake FSU
 4323 Goodman Road West
 Horn Lake, MS 38637

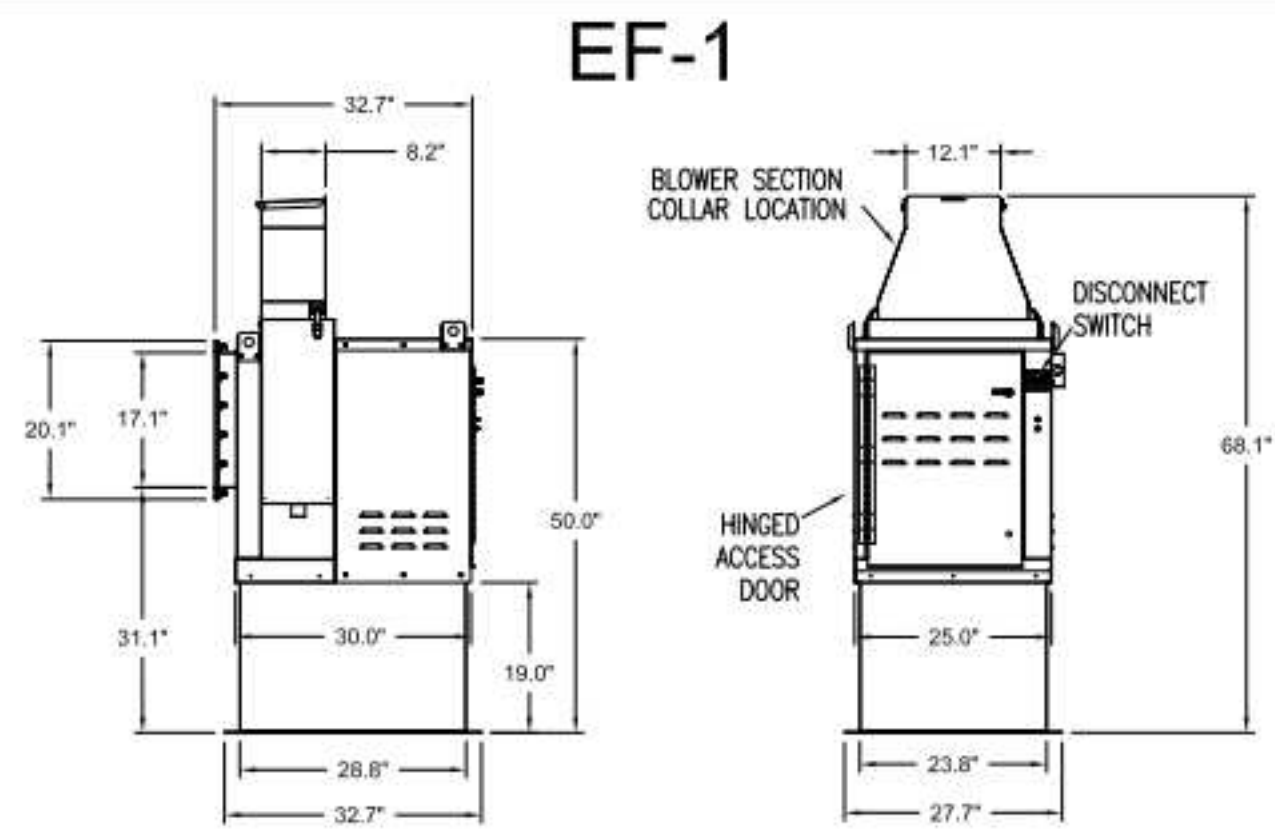
FSR#05540

BUILDING TYPE / SIZE:	P14 LSR BN	
RELEASE:	23.09	
PRINTED FOR:	CONSTRUCTION	
REVISION SCHEDULE		
NO.	DATE	DESCRIPTION
1	02/09/2024	CFA Updates & Design Notes

CONSULTANT PROJECT # 24006.EH.S
 DATE 01/10/2024
 DRAWN BY BLM
 Information contained on this drawing and in all digital files produced for above named project may not be reproduced in any manner without express written or verbal consent from authorized project representatives.
GENERAL NOTES, LEGENDS, SYMBOLS, AND ABBREVIATIONS
 SHEET NUMBER

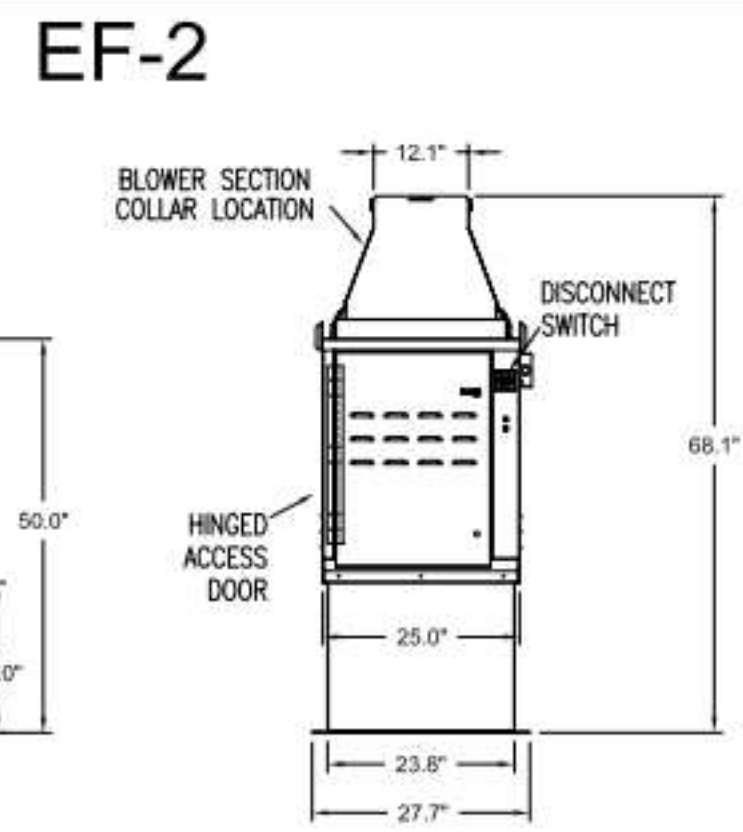
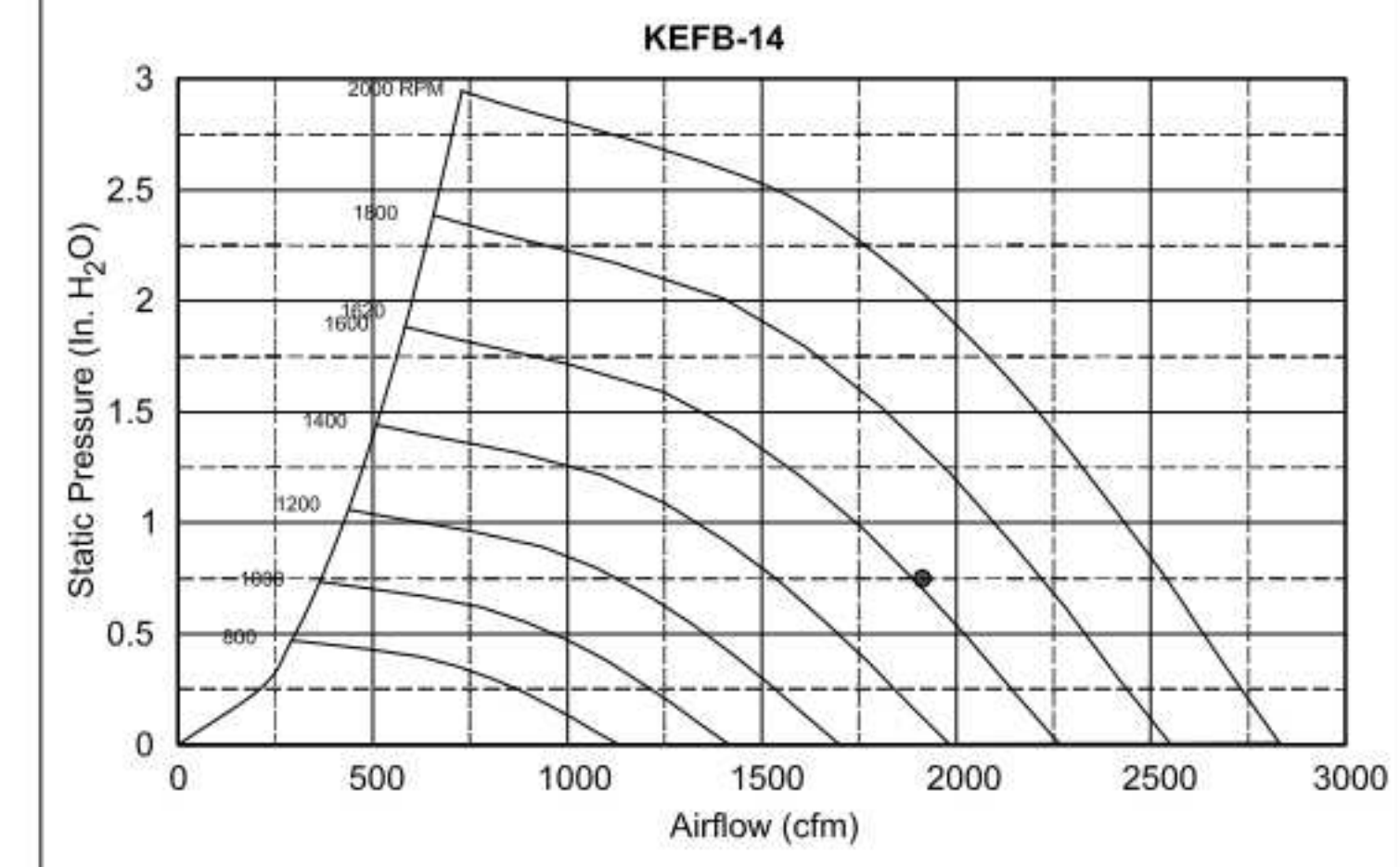
M-001

Autodesk Docs://MS_05540_Horn Lake FSU_2023_10_FSR05540_Horn Lake FSU_K&A_MEC.rvt
 2/9/2024 9:29:14 AM
 30-LSR-05540-M-001-GENERAL NOTES, LEGENDS, SYMBOLS, AND ABBREVIATIONS



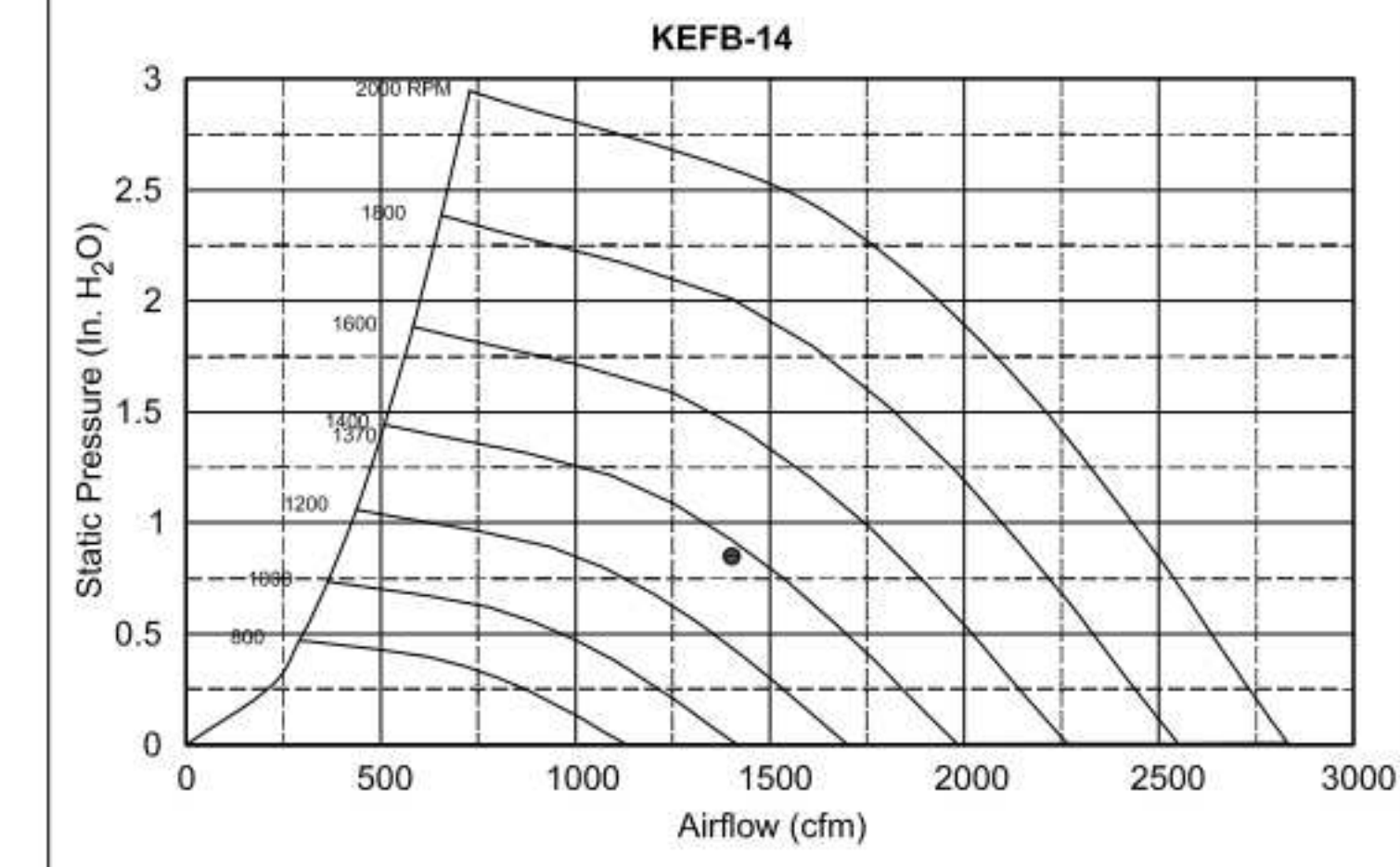
Halton KEFB Exhaust Fan

Job Name	Chick-8-A	Item No	KEFB-14	Qty	Fan RPM	1,620	Volts/Ph/Amps	115/160
Location	EF-1	Model	KEFB-14	Fan BHP	0.55	Motor HP	0.75	
Date	1/26/2023	Airflow, cfm	1,913	dB	85.3	TAB Port, in WC	4.8	
Static Pressure, in WC	0.75							



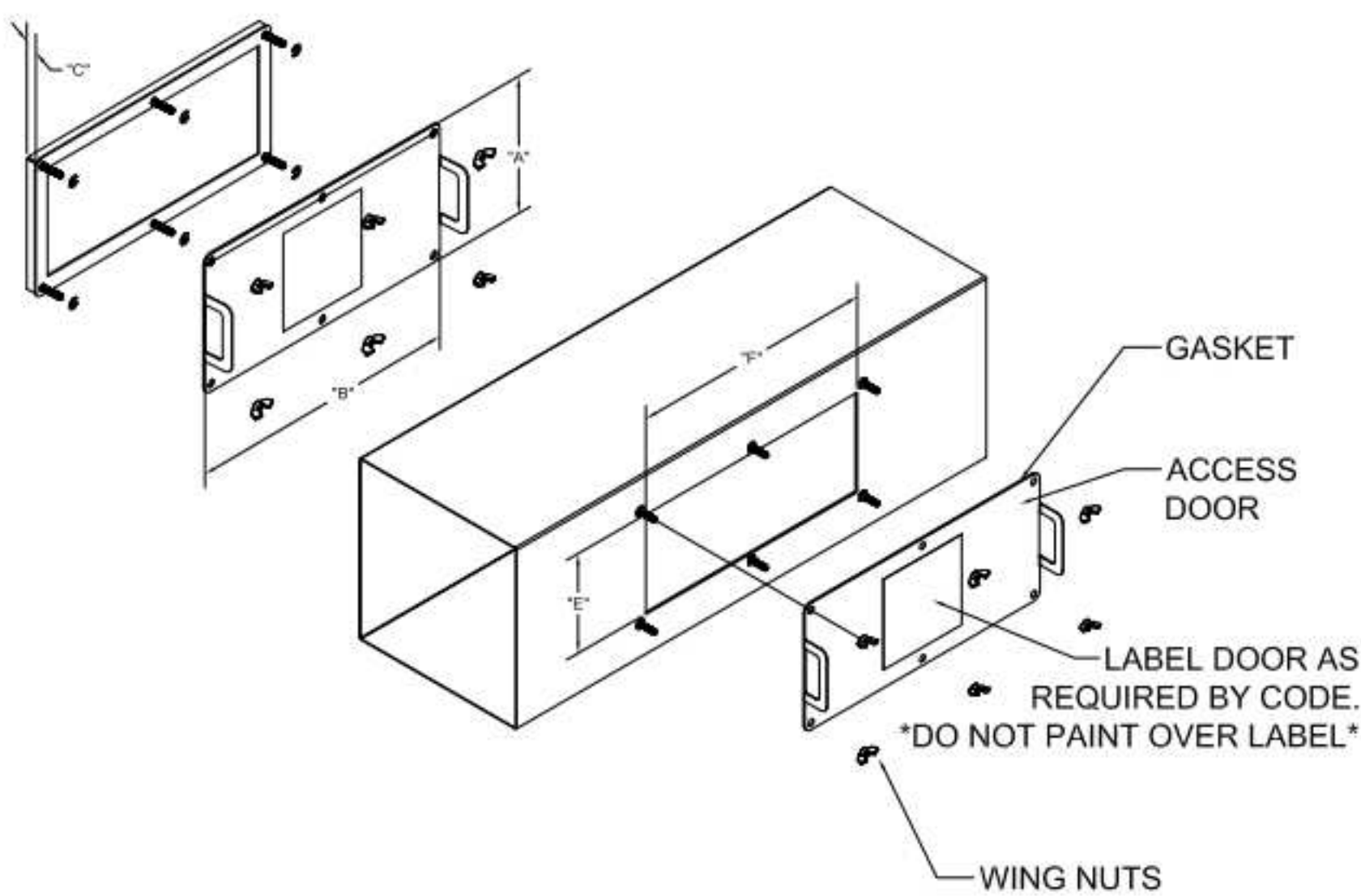
Halton KEFB Exhaust Fan

Job Name	Chick-8-A	Item No	KEFB-14	Qty	Fan RPM	1,370	Volts/Ph/Amps	115/160
Location	EF-2	Model	KEFB-14	Fan BHP	0.34	Motor HP	0.75	
Date	1/26/2023	Airflow, cfm	1,402	dB	81	TAB Port, in WC	2.6	
Static Pressure, in WC	0.95							

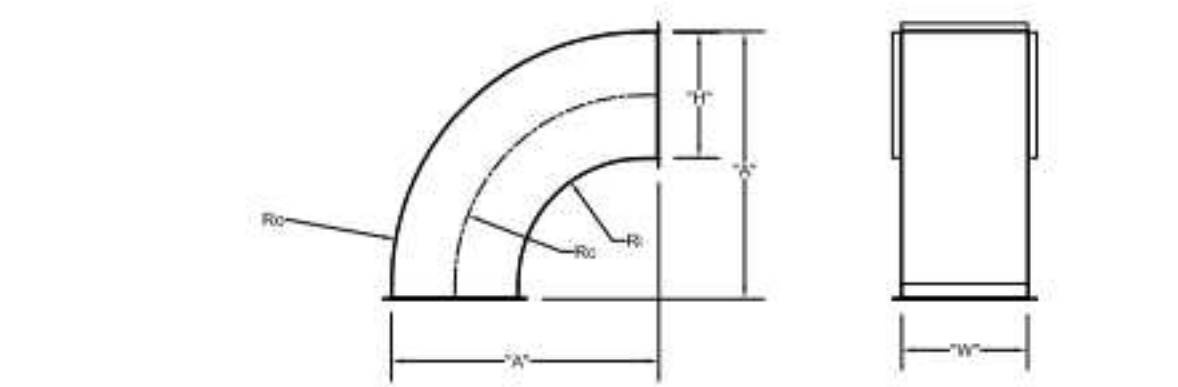


MODEL	DOOR SIZE		OPTIONAL FLANGE	OPENING SIZE	
	"A"	"B"	"C"	"E"	"F"
KAP0715	7	15	FLAT	5.5	13.5
KAP1015	10	15	1/2	7	12

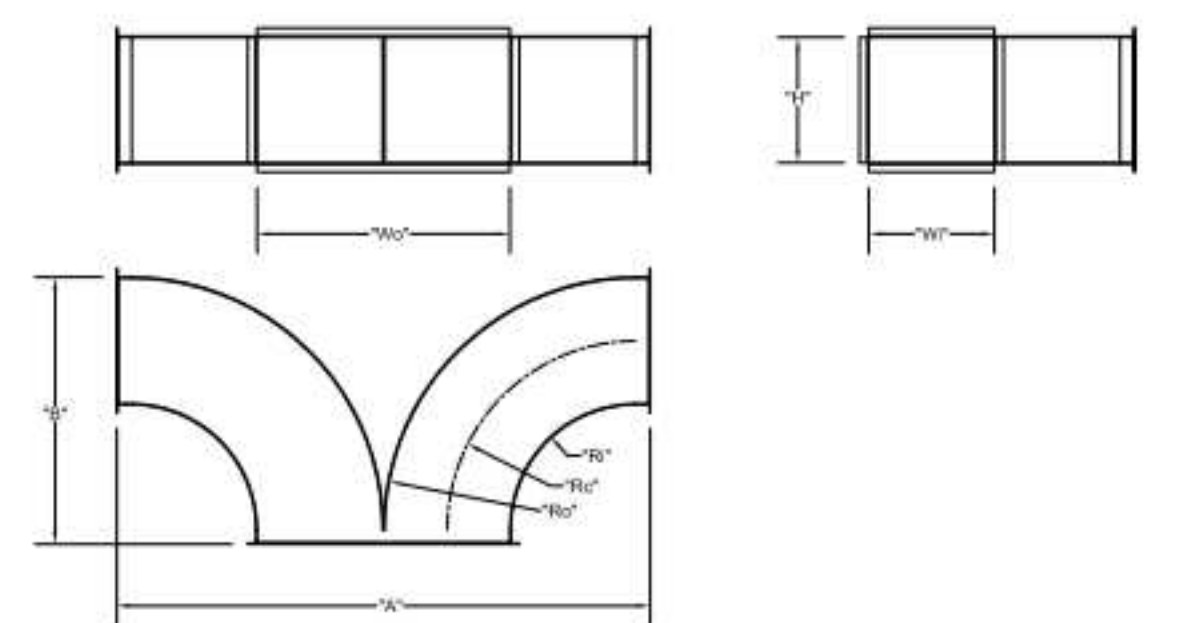
ACCESS DOORS SHALL BE U.L. 1978 LISTED OR FIELD FABRICATED, REQUIRE NO TOOLS FOR REMOVAL AND MEET THE REQUIREMENTS OF THE CURRENT EDITION OF THE IMC. ACCESS DOOR SHALL BE SECURED WITH THUMB SCREWS. ACCESS DOORS SHALL BE SEALED WITH A MINIMUM 1500 DEREK GASKET MATERIAL.



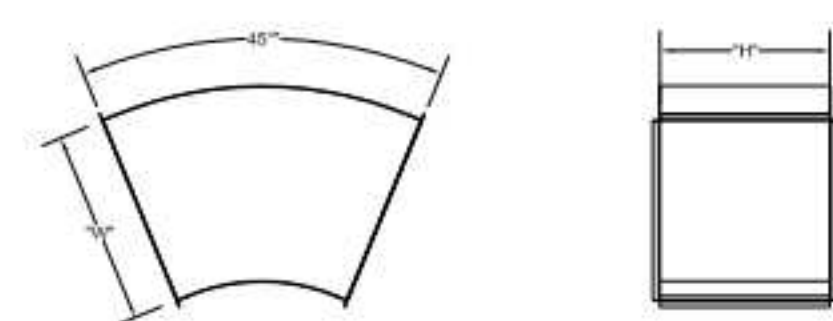
INSTALL PER MANUFACTURER'S INSTRUCTIONS



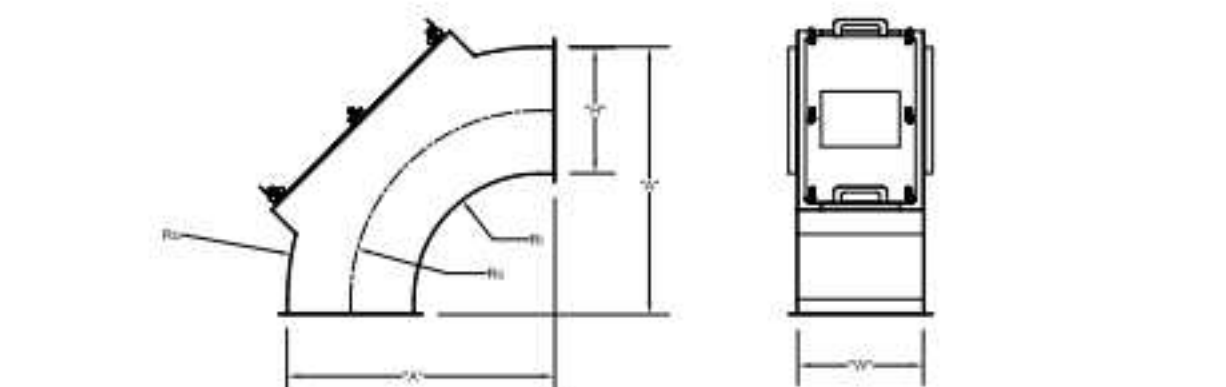
	"H"	"W"	"A"	Ro	Rc	Ri
EF-2	8	8	17	16	12	8
EF-2	8	10	17	16	12	8



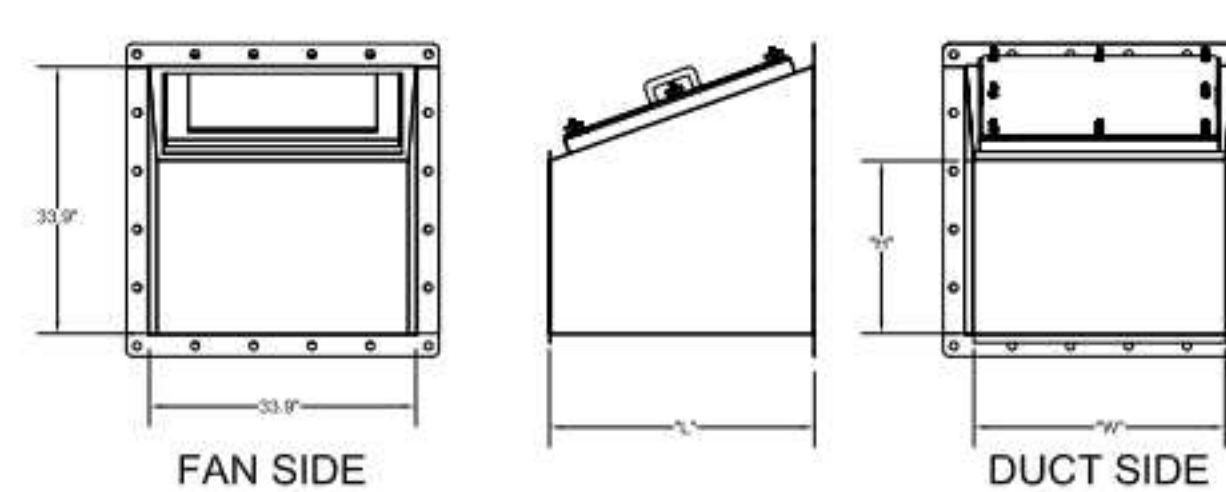
	"W"	"H"	Wo	Ro	Rc	Ri	"A"	"B"
EF-1	8	14	16	16	12	8	34	17
EF-2	8	10	16	16	12	8	34	17



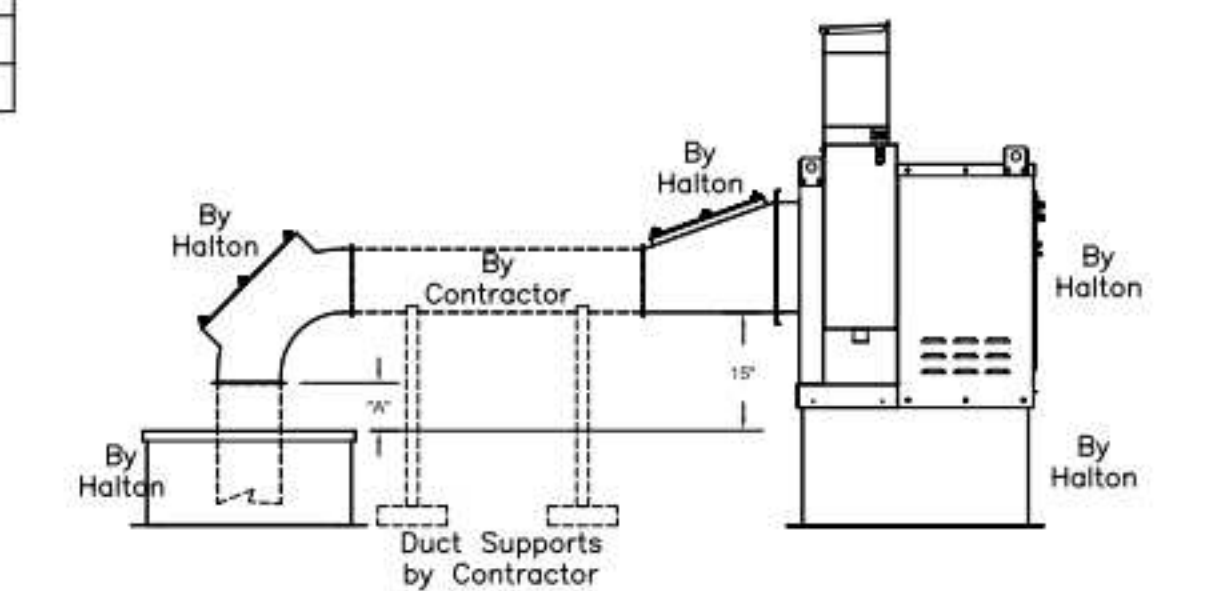
	"W"	"H"
EF-1	16	14



	"H"	"W"	"A"	Ro	Rc	Ri
EF-2	14	8	29	28	21	14
EF-2	8	8	17	16	12	8



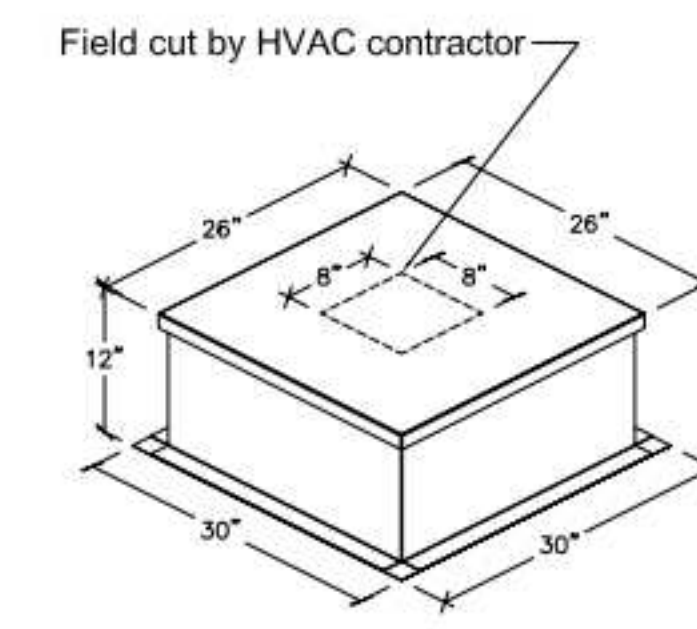
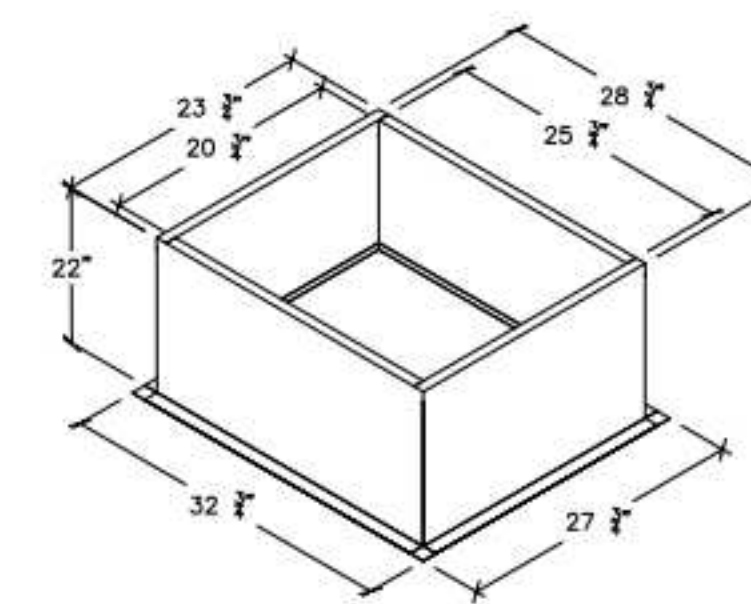
TRANSITION	"H"	"W"	"L"
EF-1 (5)	14	16	25
EF-2 (6)	10	16	17



"A" DISTANCE AVAILABLE FOR DUCT SLOPE

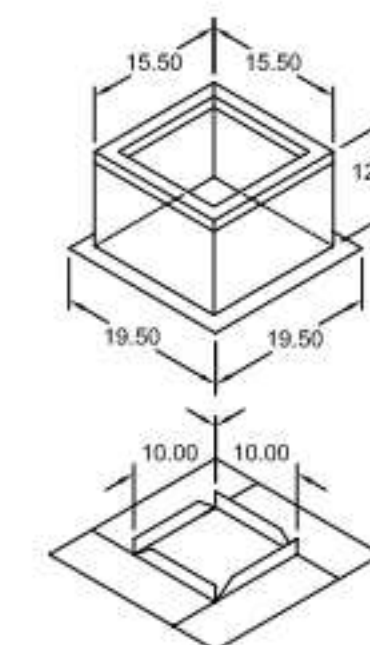
	ELBOW	"A"
EF-1	14X8	8
EF-2	8X8	10

Halton Kitchen Exhaust Fan Curb Insulated Duct Curb



Kitchen Exhaust Fan Roof Curb Standard Construction Features:
 - Roof Curb fits between the building roof and the fan mounted directly to the roof support structure - Constructed of 18 ga aluminum steel - Straight Sided without a cant - 2 in. mounting flange - Height is 22 in.

Insulated Duct Curb Standard Construction Features:
 - Duct Curb fits between the building roof and the fan mounted directly to the roof support structure - Constructed of 18 ga aluminum steel - Straight Sided without a cant - 2 in. mounting flange - Height is 12 in. - 16 ga. cap



Model: GPI
 For Model: XRED-090-G
 Curb & Damper Tray

Accessories		Security	Insulation
Material	Galvanized	Bars	Insulation
No	No	Yes	Yes
			R Value
			R4.3

Tag	Qty	Model	Sizing Method	Undersizing (in.)	Weight (lb.)	Shipped Assembled	Union Label
EF-3	1	GPI-17	Nominal	1.5	14	Yes	No Preference

Curb Height (in.)	Nominal	Nominal	Actual	Actual	Actual	Actual	Flange	Flange	Hinge	Hinge
	Width (in.)	Outside Length (in.)	Outside Length (in.)	Outside Length (in.)	Inside Width (in.)	Inside Width (in.)	Length (in.)	Length (in.)	Base Width (in.)	Base Length (in.)
12	17	17	15.5	15.5	12	12	19.5	16		

May not be applicable

THIS DRAWING MUST BE CHECKED, SIGNED AND RETURNED TO THE APPROPRIATE FACTORY. PLEASE VERIFY THE FOLLOWING:

- ALL DIMENSIONAL INFORMATION, MOUNTING POSITIONS AND CLEARANCES.
- THE LOCATION AND TYPE OF COOKING EQUIPMENT.

NOTE TO APPROVER: CHANGES IN COOKING EQUIPMENT, SUCH AS INCREASED ENERGY INPUTS OR EQUIPMENT CHANGES IN COOKING EQUIPMENT, MAY REQUIRE CHANGES TO THIS DRAWING. IF ANY CHANGES OCCUR, A RECALCULATION EXHAUST AIRFLOW MAY BE REQUIRED.

APPROVED FOR FABRICATION: WITH NO CHANGES WITH CHANGES AS NOTED

WEBSITE: www.halton.com

HALTON CO. (USA)
 101 INDUSTRIAL DRIVE
 SCOTTSVILLE, KY 42164
 1-270-237-5600



MAIL APPROVED DRAWINGS TO APPROPRIATE FACTORY BELOW:

HALTON CO. (CANADA)
 1021 BREVIK PLACE
 MISSISSAUGA, ON L4W 3R7
 1-905-624-0301

REV.	DATE	BY	DESCRIPTION
1			
2			
3			
4			
5			
6			

PROJECT: CHICK-FIL-A FAN DETAILS

LOCATION: PROTO SE/LE/LS/LSR (EN & BP)
 DRAWN BY: ACF DATE: 05.10.23
 SCALE: CONSULTANT:



DRAWING TITLE: CFA FAN DETAILS

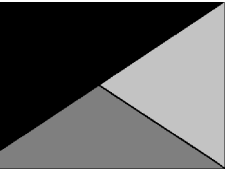
DRAWING No.: U23-459

REV. NO.: 0 SHEET NO.: 1 of 2



Chick-fil-A

Chick-fil-A
5200 Buffington Road
Atlanta, Georgia
30349-2998



Kurzynske
& Associates
2705 Lebanon Pike - Suite One
Nashville, Tennessee 37214
Telephone: (615) 255-5203



CHICK-FIL-A
Horn Lake FSU

4323 Goodman Road West
Horn Lake, MS 38637

FSR#05540

BUILDING TYPE / SIZE: P14 LSR LRG
RELEASE: 23.09
PRINTED FOR: CONSTRUCTION

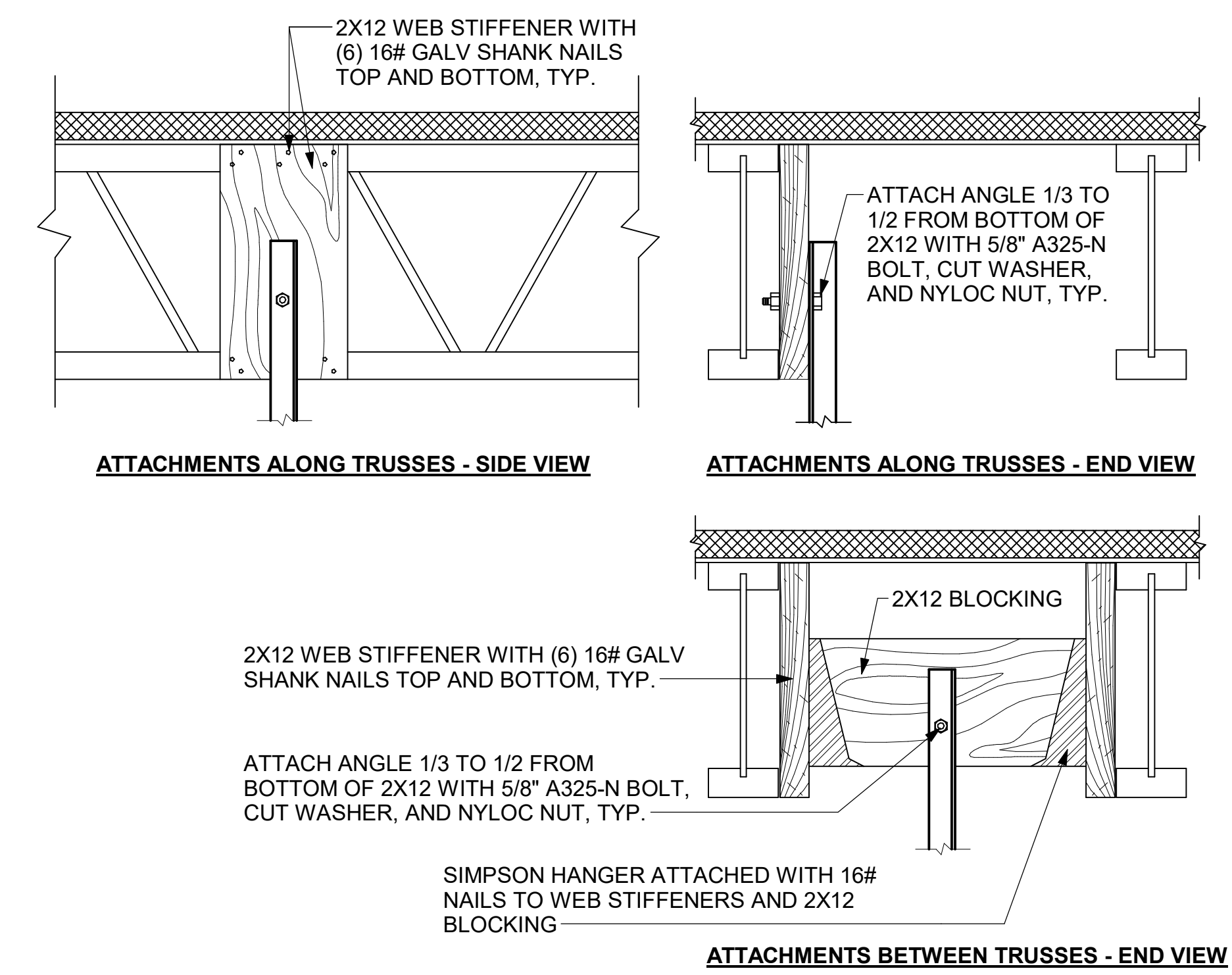
NO.	DATE	DESCRIPTION
1	02/09/2024	CF&A Updates & Design Notes

CONSULTANT PROJECT # 24006.EH.S
DATE 01/10/2024
DRAWN BY BLM

Information contained on this drawing and in all digital files produced for above named project may not be reproduced in any manner without express written or verbal consent from authorized project representatives.

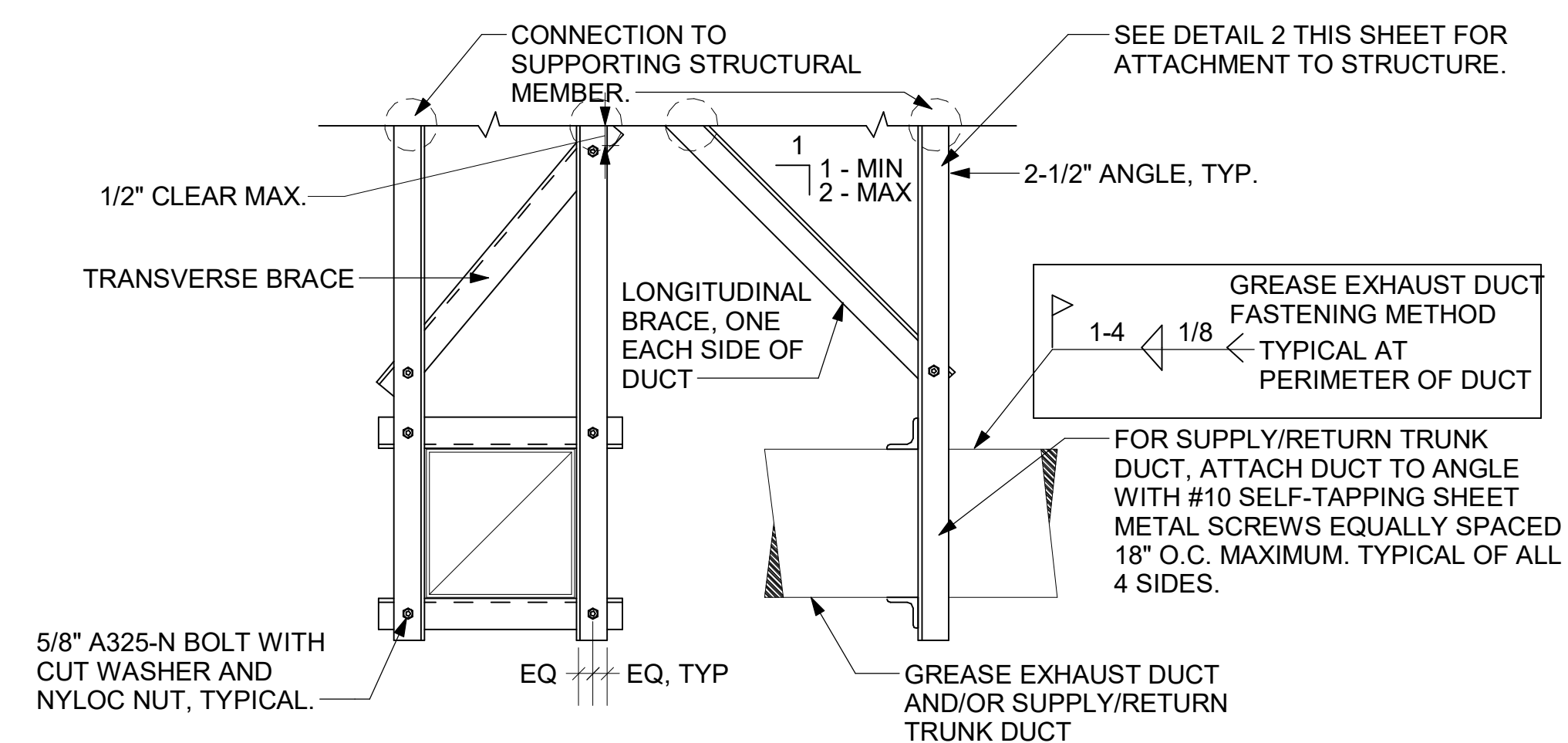
SHEET SEISMIC DETAILS
SHEET NUMBER

M-503

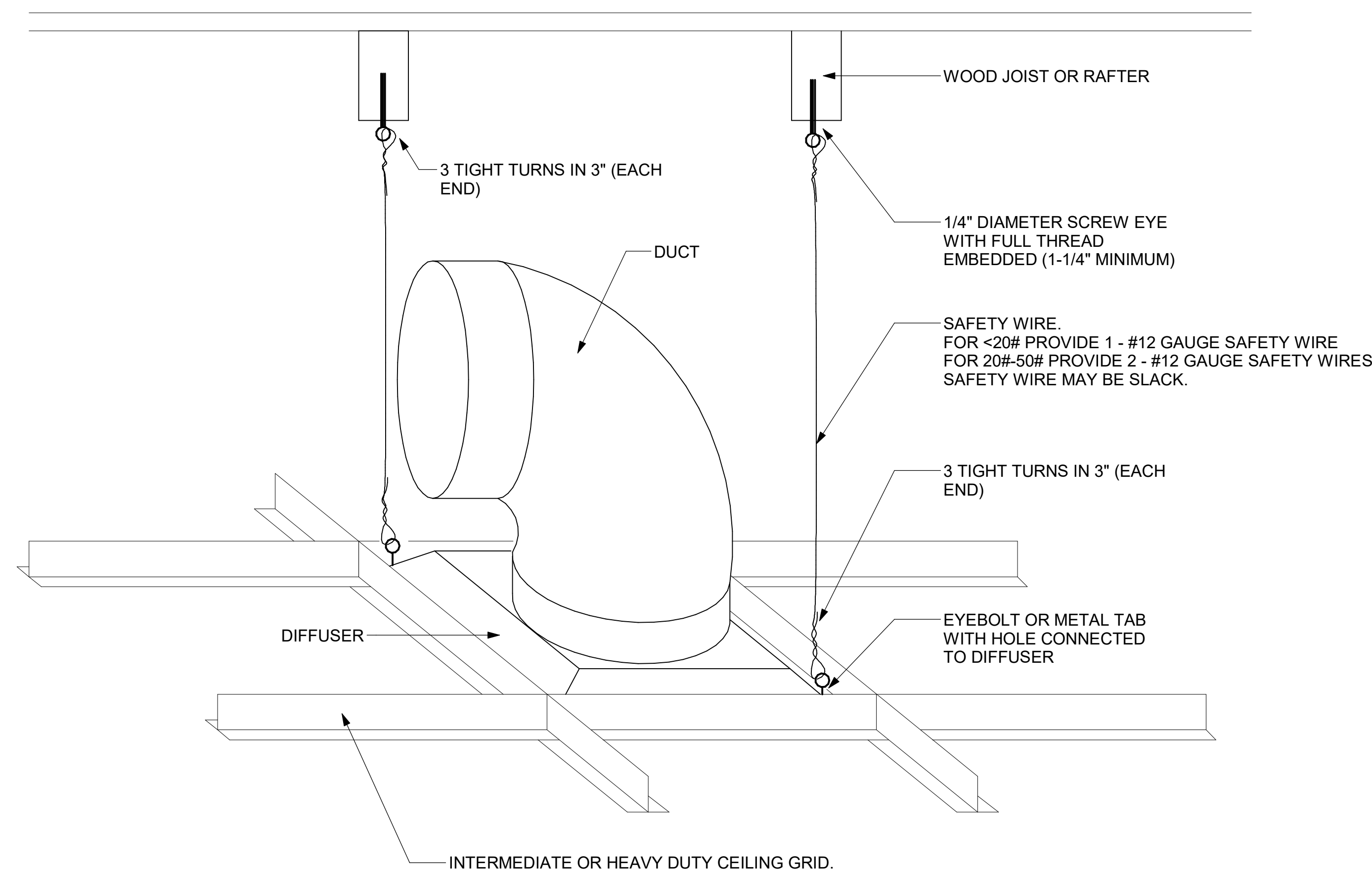


2 DUCT ATTACHMENT
NOT TO SCALE

DUCT RESTRAINTS ARE REQUIRED FOR AC#1, AC#2 AND AC#3 TRUNK DUCT RUNS. EACH STRAIGHT RUN OF DUCT MUST HAVE A MINIMUM OF ONE TRANSVERSE RESTRAINT ON EACH END OF THE DUCT AND A SINGLE LONGITUDINAL RESTRAINT. MAX SPACING BETWEEN TRANSVERSE BRACING = 30'-0". MAX SPACING BETWEEN LONGITUDINAL BRACING = 60'-0".



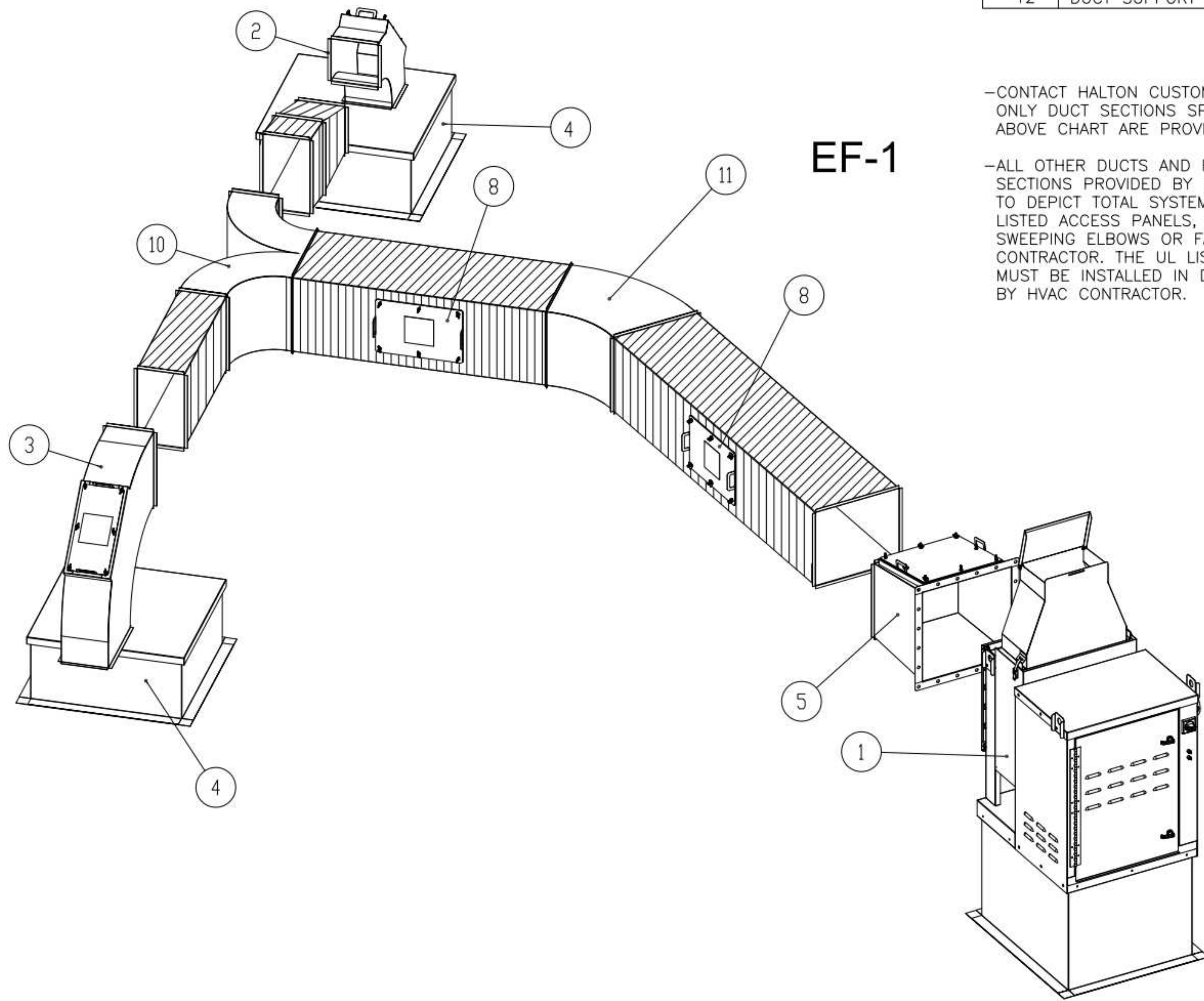
1 RECTANGULAR DUCT RESTRAINT
NOT TO SCALE



3 DIFFUSER ATTACHMENT
NOT TO SCALE

Autodesk Docs://MS_05540_Horn Lake FSU_2023.10_FSR05540_Horn Lake FSU_K&A_MEC.rvt
2/9/2024 9:29:41 AM
30-LSR-05540-M-503-SEISMIC DETAILS

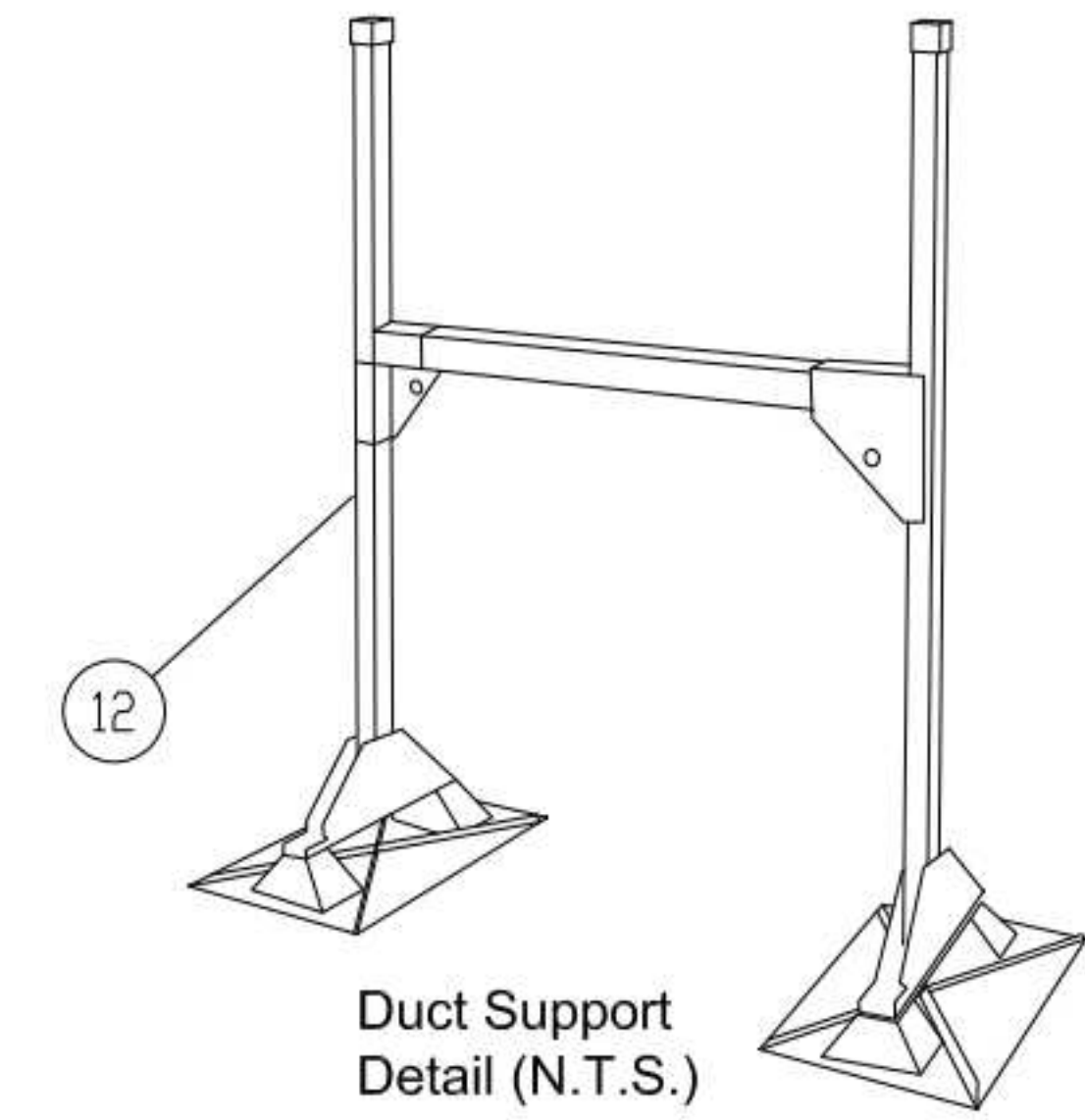
ITEM	DESCRIPTION	QTY
1	KEFB EXHAUST FAN W/ ROOF CURB	2
2	LONG SWEEPING ELBOW W/ UL LISTED ACCESS PANEL 8X8	3
3	LONG SWEEPING ELBOW W/ UL LISTED ACCESS PANEL 14X8	1
4	DUCT ROOF CURB W/ CAP 26X26X9	4
5	FAN TRANSITION W/ UL LISTED ACCESS PANEL 14X16	1
6	FAN TRANSITION W/ UL LISTED ACCESS PANEL 10X16	1
7	UL LISTED ACCESS PANEL 7X15	4
8	UL LISTED ACCESS PANEL 10X15	2
9	LONG SWEEPING WYE 8X10	1
10	LONG SWEEPING WYE 14X8	1
11	45° 14X16	1
12	DUCT SUPPORT - AS NEEDED, BY HVAC CONTRACTOR	



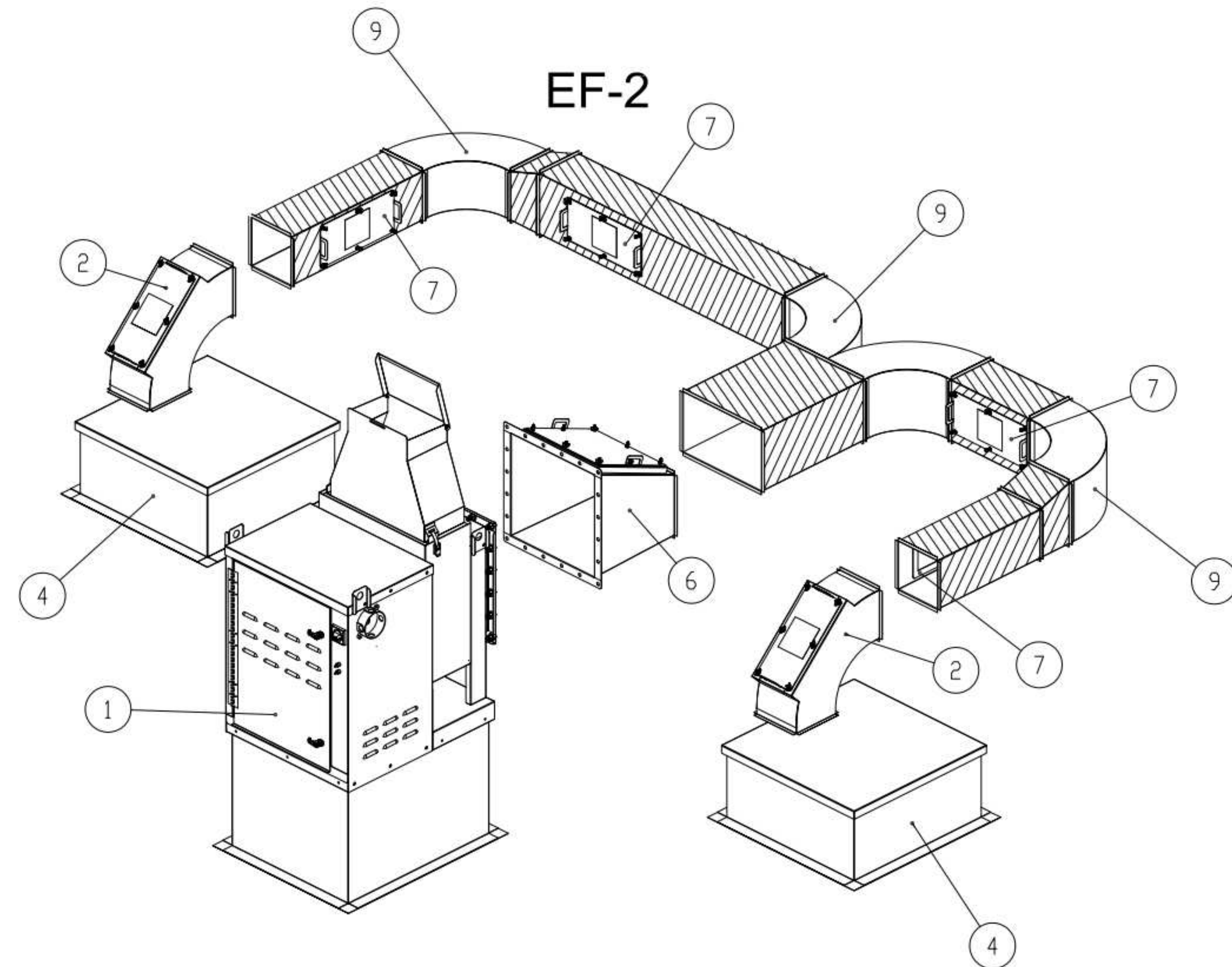
EF-1

-CONTACT HALTON CUSTOMER SERVICE FOR HALTON PROVIDED ITEMS ONLY DUCT SECTIONS SPECIFIED BY NUMBERS AND SHOWN IN THE ABOVE CHART ARE PROVIDED BY HALTON

-ALL OTHER DUCTS AND FITTINGS BY HVAC CONTRACTOR. DUCT SECTIONS PROVIDED BY HVAC CONTRACTOR ARE SHOWN IN ORDER TO DEPICT TOTAL SYSTEM DESIGN. DUCT SECTIONS SHOWN WITH UL LISTED ACCESS PANELS, THAT ARE NOT HALTON PROVIDED LONG SWEEPING ELBOWS OR FAN TRANSITIONS, ARE PROVIDED BY HVAC CONTRACTOR. THE UL LISTED ACCESS PANELS PROVIDED BY HALTON MUST BE INSTALLED IN DUCT SECTIONS NOT PROVIDED BY HALTON BY HVAC CONTRACTOR.



Duct Support Detail (N.T.S.)



EF-2

-ALL DUCTS AND FITTINGS DEPICTED BY HATCH AREAS ARE BY HVAC CONTRACTOR.

THIS DRAWING MUST BE CHECKED, SIGNED AND RETURNED TO THE APPROPRIATE FACTORY. PLEASE VERIFY THE FOLLOWING:
 1. ALL DIMENSIONAL INFORMATION, MOUNTING POSITIONS AND CLEARANCES.
 2. THE LOCATION AND TYPE OF COOKING EQUIPMENT.
 NOTE TO APPROVER: ANY CHANGES IN COOKING EQUIPMENT, SUCH AS INCREASED ENERGY INPUTS OR EQUIPMENT ADDITIONS, MAY REQUIRE REVISIONS TO THIS DRAWING. IF ANY CHANGES OCCUR, A RECALCULATION EXHAUST AIRFLOW MAY BE REQUIRED.
 REVISE AND RESUBMIT
 APPROVED FOR FABRICATION
 WITH NO CHANGES
 WITH CHANGES AS NOTED



MAIL APPROVED DRAWINGS TO APPROPRIATE FACTORY BELOW:	WEBSITE: www.halton.com
HALTON CO. (CANADA) 1021 BREVIK PLACE MISSISSAUGA, ON L4W 3R7 1-905-624-0301	HALTON CO. (USA) 101 INDUSTRIAL DRIVE SCOTTSDALE, KY 42164 1-270-237-5600
PROJECT: CHICK-FIL-A FAN DETAILS LOCATION: PROTO SE/LE/LS/LSR (EN & BP) DRAWN BY: ACF DATE: 05.10.23 SCALE: CONSULTANT:	REVISION DESCRIPTION REV. A REV. B REV. C REV. D REV. E REV. F REV. G REV. H REV. I REV. J REV. K REV. L REV. M REV. N REV. O REV. P REV. Q REV. R REV. S REV. T REV. U REV. V REV. W REV. X REV. Y REV. Z REV. AA REV. AB REV. AC REV. AD REV. AE REV. AF REV. AG REV. AH REV. AI REV. AJ REV. AK REV. AL REV. AM REV. AN REV. AO REV. AP REV. AQ REV. AR REV. AS REV. AT REV. AU REV. AV REV. AW REV. AX REV. AY REV. AZ REV. BA REV. BB REV. BC REV. BD REV. BE REV. BF REV. BG REV. BH REV. BI REV. BJ REV. BK REV. BL REV. BM REV. BN REV. BO REV. BP REV. BQ REV. BR REV. BS REV. BT REV. BU REV. BV REV. BV REV. BW REV. BX REV. BY REV. BY REV. BZ REV. CA REV. CB REV. CC REV. CD REV. CE REV. CF REV. CG REV. CH REV. CI REV. CJ REV. CK REV. CL REV. CM REV. CN REV. CO REV. CP REV. CQ REV. CR REV. CS REV. CT REV. CU REV. CV REV. CV REV. CW REV. CX REV. CY REV. CY REV. CZ REV. DA REV. DB REV. DC REV. DD REV. DE REV. DF REV. DG REV. DH REV. DI REV. DJ REV. DK REV. DL REV. DM REV. DN REV. DO REV. DP REV. DQ REV. DR REV. DS REV. DT REV. DU REV. DV REV. DV REV. DW REV. DX REV. DY REV. DY REV. DZ REV. EA REV. EB REV. EC REV. ED REV. EE REV. EF REV. EG REV. EH REV. EI REV. EJ REV. EK REV. EL REV. EM REV. EN REV. EO REV. EP REV. EQ REV. ER REV. ES REV. ET REV. EU REV. EV REV. EV REV. EW REV. EX REV. EY REV. EY REV. EZ REV. FA REV. FB REV. FC REV. FD REV. FE REV. FF REV. FG REV. FH REV. FI REV. FJ REV. FK REV. FL REV. FM REV. FN REV. FO REV. FP REV. FQ REV. FR REV. FS REV. FT REV. FU REV. FV REV. FV REV. FW REV. FX REV. FY REV. FY REV. FZ REV. GA REV. GB REV. GC REV. GD REV. GE REV. GF REV. GG REV. GH REV. GI REV. GJ REV. GK REV. GL REV. GM REV. GN REV. GO REV. GP REV. GQ REV. GR REV. GS REV. GT REV. GU REV. GV REV. GV REV. GW REV. GX REV. GY REV. GY REV. GZ REV. HA REV. HB REV. HC REV. HD REV. HE REV. HF REV. HG REV. HH REV. HI REV. HJ REV. HK REV. HL REV. HM REV. HN REV. HO REV. HP REV. HQ REV. HR REV. HS REV. HT REV. HU REV. HV REV. HV REV. HW REV. HX REV. HY REV. HY REV. HZ REV. IA REV. IB REV. IC REV. ID REV. IE REV. IF REV. IG REV. IH REV. II REV. IJ REV. IK REV. IL REV. IM REV. IN REV. IO REV. IP REV. IQ REV. IR REV. IS REV. IT REV. IU REV. IV REV. IV REV. IW REV. IX REV. IY REV. IY REV. IZ REV. JA REV. JB REV. JC REV. JD REV. JE REV. JF REV. JG REV. JH REV. JI REV. JJ REV. JK REV. JL REV. JM REV. JN REV. JO REV. JP REV. JQ REV. JR REV. JS REV. JT REV. JU REV. JV REV. JV REV. JW REV. JX REV. JY REV. JY REV. JZ REV. KA REV. KB REV. KC REV. KD REV. KE REV. KF REV. KG REV. KH REV. KI REV. KJ REV. KK REV. KL REV. KM REV. KN REV. KO REV. KP REV. KQ REV. KR REV. KS REV. KT REV. KU REV. KV REV. KV REV. KW REV. KX REV. KY REV. KY REV. KZ REV. LA REV. LB REV. LC REV. LD REV. LE REV. LF REV. LG REV. LH REV. LI REV. LJ REV. LK REV. LL REV. LM REV. LN REV. LO REV. LP REV. LQ REV. LR REV. LS REV. LT REV. LU REV. LV REV. LV REV. LW REV. LX REV. LY REV. LY REV. LZ REV. MA REV. MB REV. MC REV. MD REV. ME REV. MF REV. MG REV. MH REV. MI REV. MJ REV. MK REV. ML REV. MM REV. MN REV. MO REV. MP REV. MQ REV. MR REV. MS REV. MT REV. MU REV. MV REV. MV REV. MW REV. MX REV. MY REV. MY REV. MZ REV. NA REV. NB REV. NC REV. ND REV. NE REV. NF REV. NG REV. NH REV. NI REV. NJ REV. NK REV. NL REV. NM REV. NO REV. NP REV. NQ REV. NR REV. NS REV. NT REV. NU REV. NV REV. NV REV. NW REV. NX REV. NY REV. NY REV. NZ REV. OA REV. OB REV. OC REV. OD REV. OE REV. OF REV. OG REV. OH REV. OI REV. OJ REV. OK REV. OL REV. OM REV. ON REV. OO REV. OP REV. OQ REV. OR REV. OS REV. OT REV. OU REV. OV REV. OV REV. OW REV. OX REV. OY REV. OY REV. OZ REV. PA REV. PB REV. PC REV. PD REV. PE REV. PF REV. PG REV. PH REV. PI REV. PJ REV. PK REV. PL REV. PM REV. PN REV. PO REV. PP REV. PQ REV. PR REV. PS REV. PT REV. PU REV. PV REV. PV REV. PW REV. PX REV. PY REV. PY REV. PZ REV. QA REV. QB REV. QC REV. QD REV. QE REV. QF REV. QG REV. QH REV. QI REV. QJ REV. QK REV. QL REV. QM REV. QN REV. QO REV. QP REV. QQ REV. QR REV. QS REV. QT REV. QU REV. QV REV. QV REV. QW REV. QX REV. QY REV. QY REV. QZ REV. RA REV. RB REV. RC REV. RD REV. RE REV. RF REV. RG REV. RH REV. RI REV. RJ REV. RK REV. RL REV. RM REV. RN REV. RO REV. RP REV. RQ REV. RR REV. RS REV. RT REV. RU REV. RV REV. RV REV. RW REV. RX REV. RY REV. RY REV. RZ REV. SA REV. SB REV. SC REV. SD REV. SE REV. SF REV. SG REV. SH REV. SI REV. SJ REV. SK REV. SL REV. SM REV. SN REV. SO REV. SP REV. SQ REV. SR REV. SS REV. ST REV. SU REV. SV REV. SV REV. SW REV. SX REV. SY REV. SY REV. SZ REV. TA REV. TB REV. TC REV. TD REV. TE REV. TF REV. TG REV. TH REV. TI REV. TJ REV. TK REV. TL REV. TM REV. TN REV. TO REV. TP REV. TQ REV. TR REV. TS REV. TT REV. TU REV. TV REV. TV REV. TW REV. TX REV. TY REV. TY REV. TZ REV. UA REV. UB REV. UC REV. UD REV. UE REV. UF REV. UG REV. UH REV. UI REV. UJ REV. UK REV. UL REV. UM REV. UN REV. UO REV. UP REV. UQ REV. UR REV. US REV. UT REV. UU REV. UV REV. UV REV. UW REV. UX REV. UY REV. UY REV. UZ REV. VA REV. VB REV. VC REV. VD REV. VE REV. VF REV. VG REV. VH REV. VI REV. VJ REV. VK REV. VL REV. VM REV. VN REV. VO REV. VP REV. VQ REV. VR REV. VS REV. VT REV. VU REV. VV REV. VV REV. VW REV. VX REV. VY REV. VY REV. VZ REV. WA REV. WB REV. WC REV. WD REV. WE REV. WF REV. WG REV. WH REV. WI REV. WJ REV. WK REV. WL REV. WM REV. WN REV. WO REV. WP REV. WQ REV. WR REV. WS REV. WT REV. WU REV. WV REV. WV REV. WW REV. WX REV. WY REV. WY REV. WZ REV. XA REV. XB REV. XC REV. XD REV. XE REV. XF REV. XG REV. XH REV. XI REV. XJ REV. XK REV. XL REV. XM REV. XN REV. XO REV. XP REV. XQ REV. XR REV. XS REV. XT REV. XU REV. XV REV. XV REV. XW REV. XX REV. XY REV. XY REV. XZ REV. YA REV. YB REV. YC REV. YD REV. YE REV. YF REV. YG REV. YH REV. YI REV. YJ REV. YK REV. YL REV. YM REV. YN REV. YO REV. YP REV. YQ REV. YR REV. YS REV. YT REV. YU REV. YV REV. YV REV. YW REV. YX REV. YY REV. YY REV. YZ REV. ZA REV. ZB REV. ZC REV. ZD REV. ZE REV. ZF REV. ZG REV. ZH REV. ZI REV. ZJ REV. ZK REV. ZL REV. ZM REV. ZN REV. ZO REV. ZP REV. ZQ REV. ZR REV. ZS REV. ZT REV. ZU REV. ZV REV. ZV REV. ZW REV. ZX REV. ZY REV. ZY REV. ZZ

PROJECT: CHICK-FIL-A FAN DETAILS
 LOCATION: PROTO SE/LE/LS/LSR (EN & BP)
 DRAWN BY: ACF DATE: 05.10.23
 SCALE: CONSULTANT:

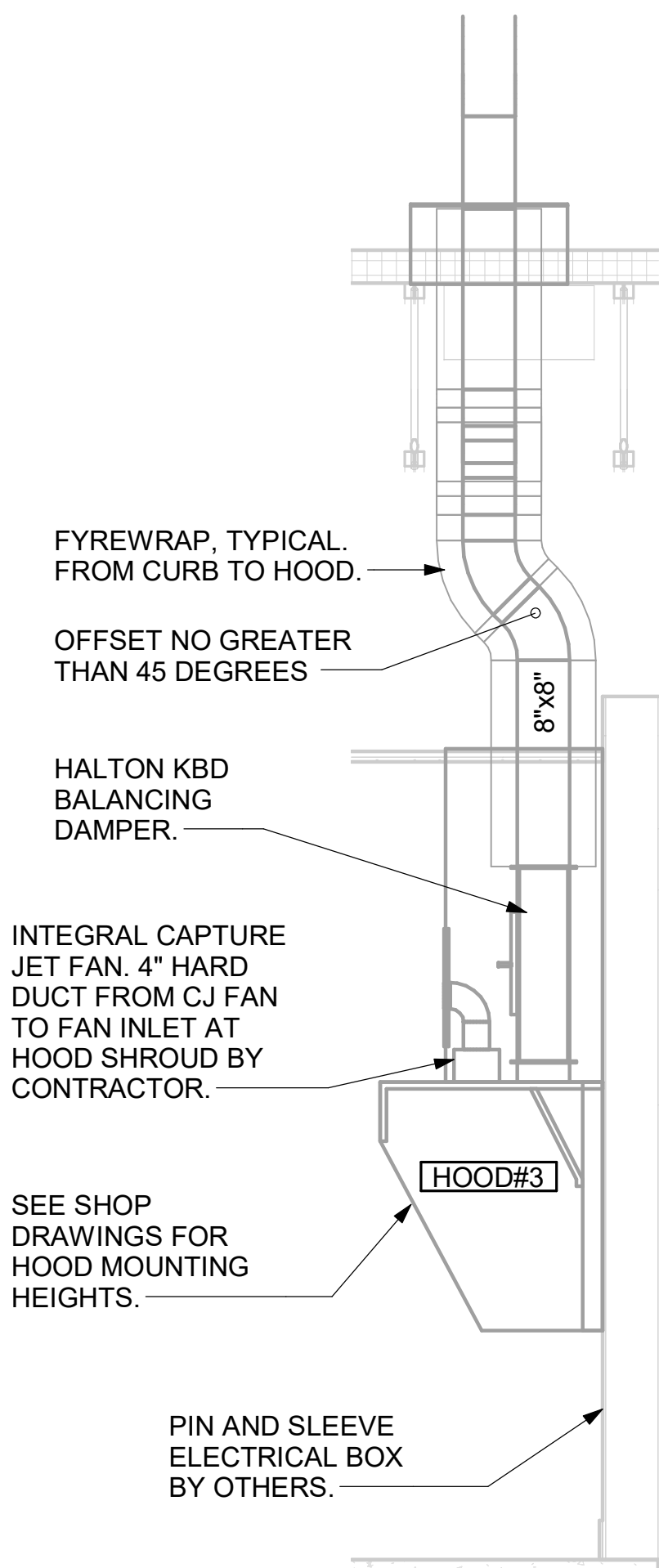
MAIL APPROVED DRAWINGS TO APPROPRIATE FACTORY BELOW:
 HALTON CO. (CANADA)
 1021 BREVIK PLACE
 MISSISSAUGA, ON L4W 3R7
 1-905-624-0301

WEBSITE: www.halton.com
 HALTON CO. (USA)
 101 INDUSTRIAL DRIVE
 SCOTTSDALE, KY 42164
 1-270-237-5600

REV. NO.: 0 SHEET NO.: 2 of 2

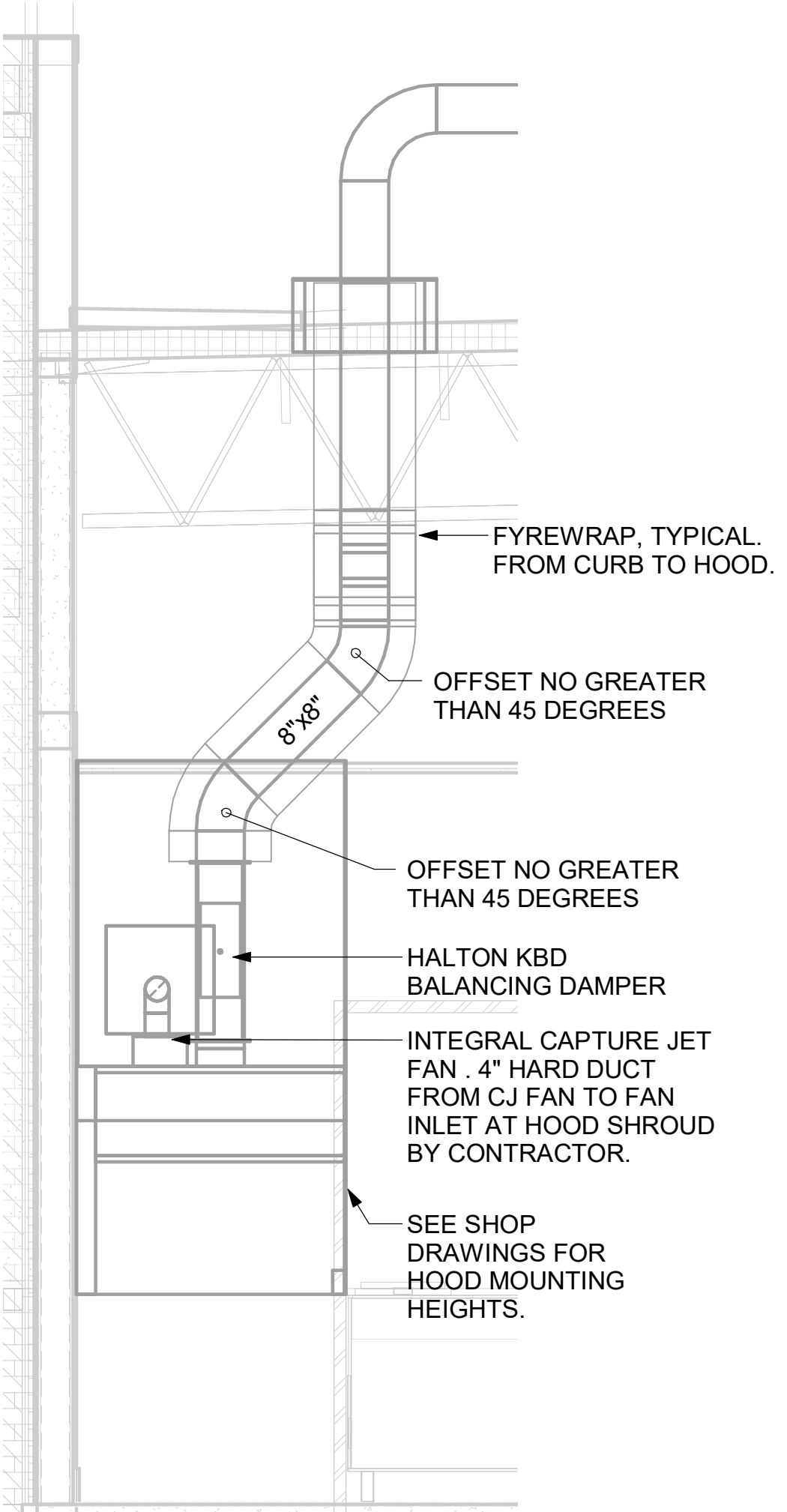
Halton

CRITICAL: SET LEFT SIDE OF HOOD#3 FLUSH WITH FINISHED EDGE OF PASS THRU OPENING.

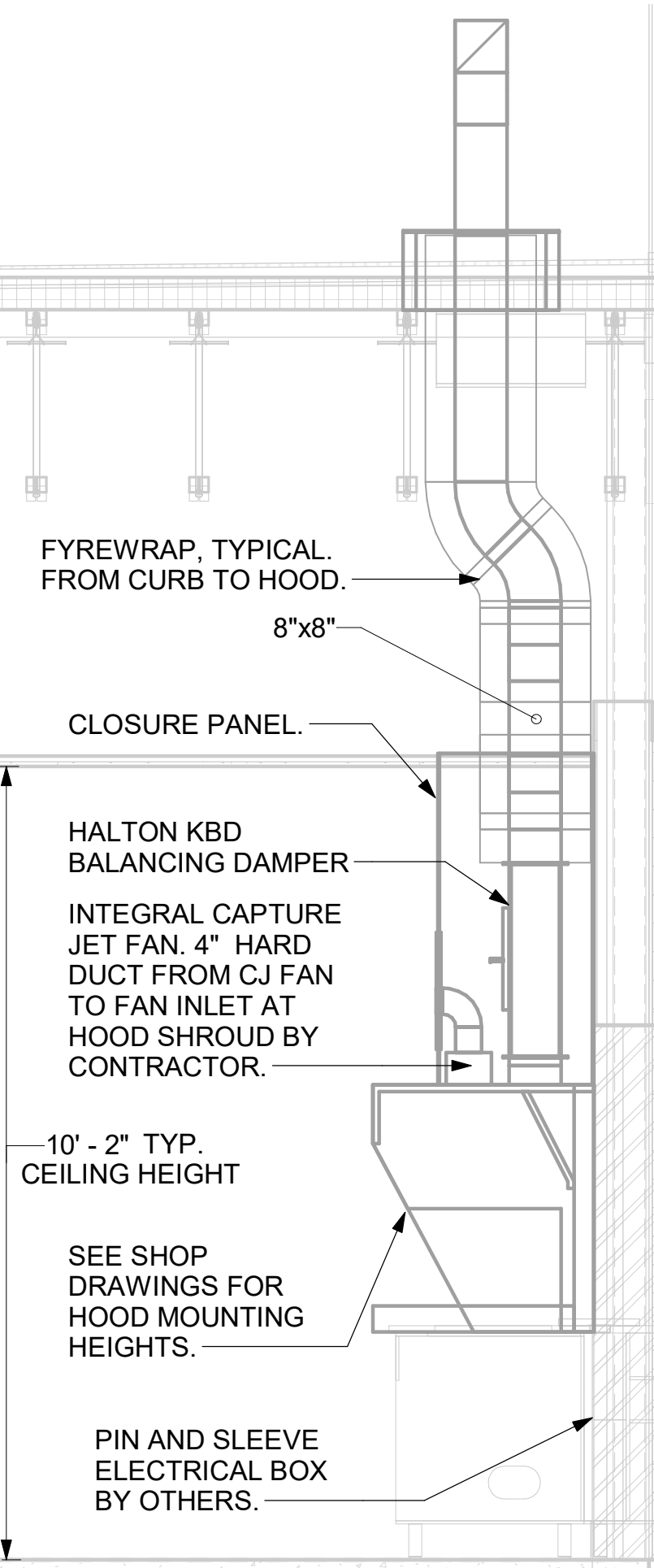


6 HOOD ELEVATION - HOOD#3
NOT TO SCALE

CRITICAL: SET RIGHT SIDE OF HOOD#2 FLUSH WITH FINISHED EDGE OF PASS THRU OPENING.



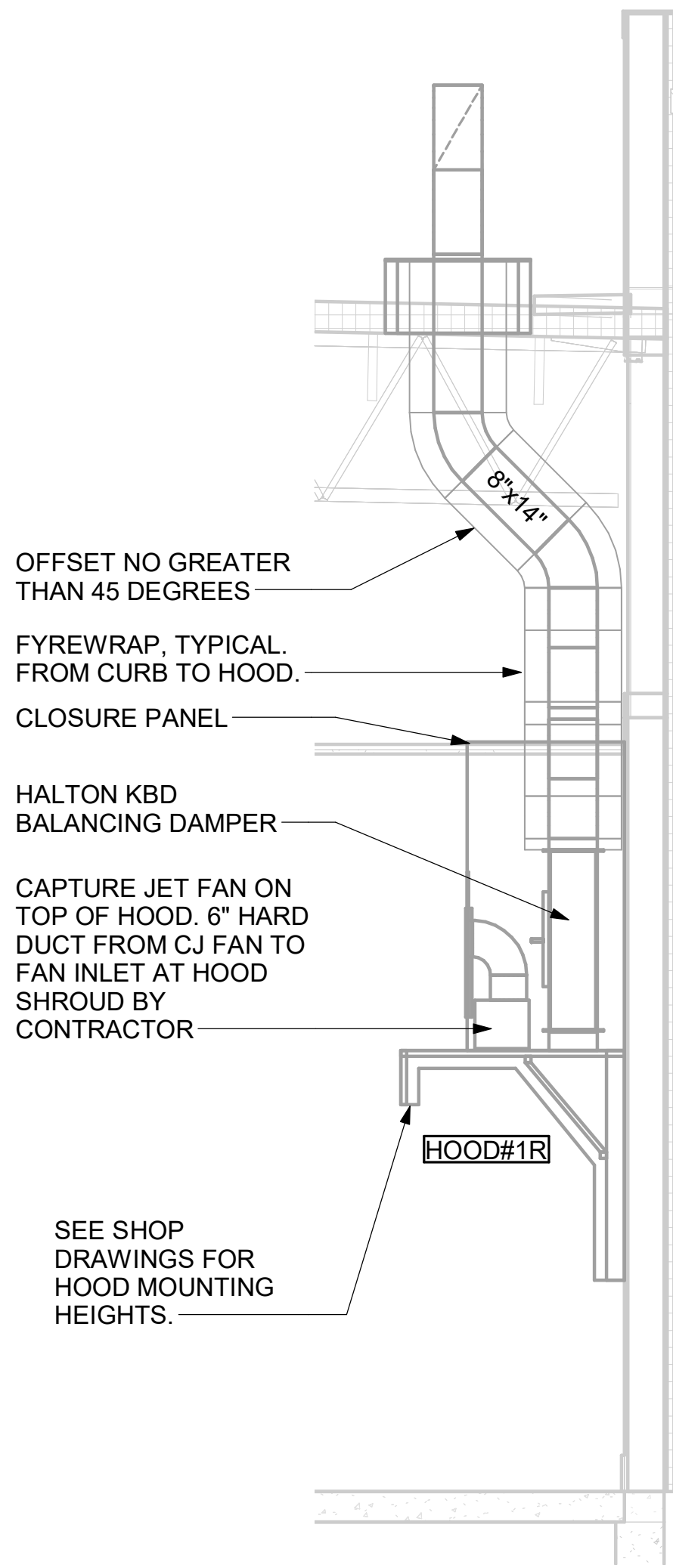
5 HOOD ELEVATION - HOOD#2 - FRONT
NOT TO SCALE



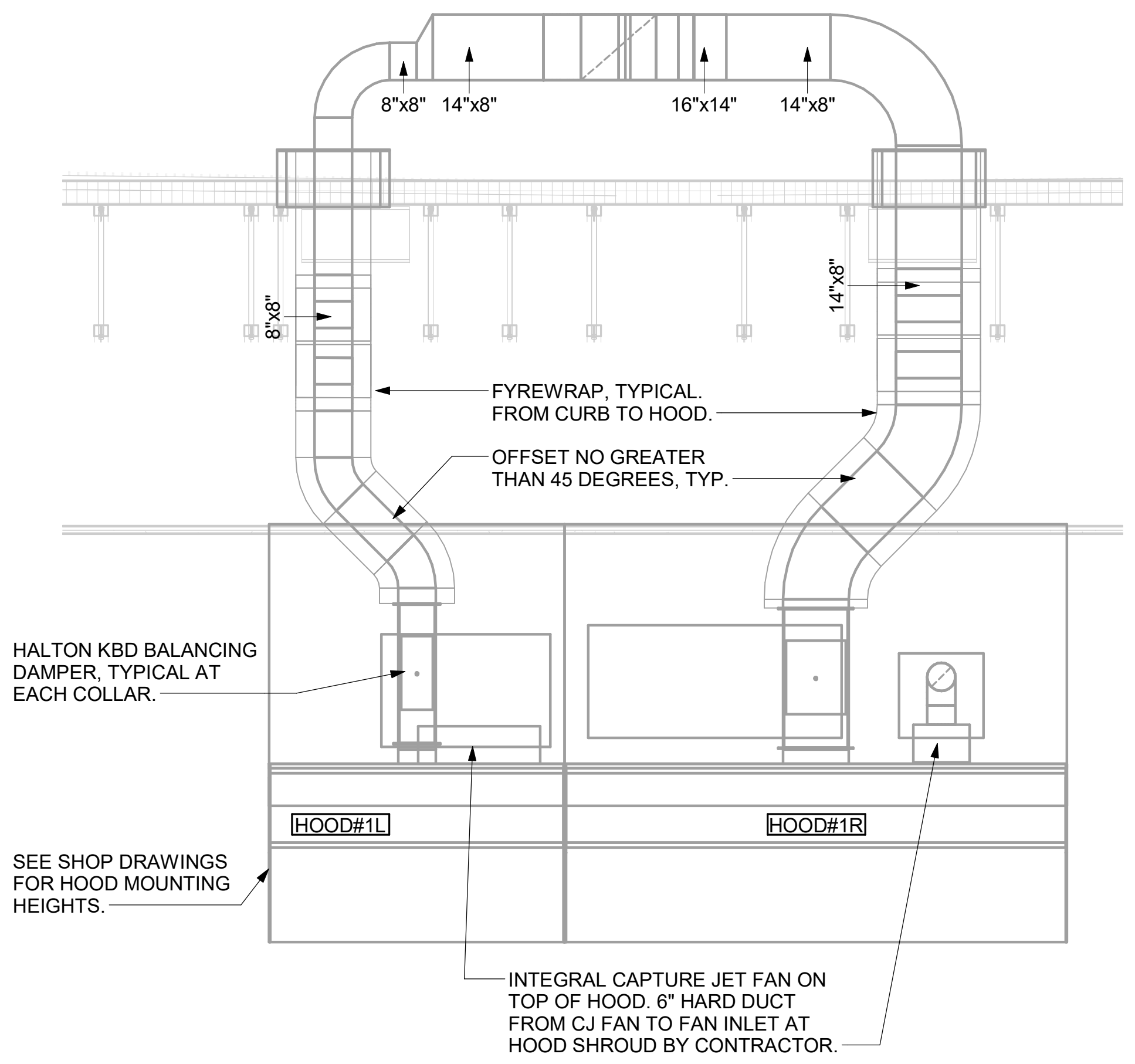
4 HOOD ELEVATION - HOOD#2 - SIDE
NOT TO SCALE

GREASE EXHAUST DUCT CLEARANCE NOTE:
CLEARANCES ABOVE CEILING ARE TIGHT. MECHANICAL CONTRACTOR TO FIELD VERIFY EXACT ROUTING AND CLEARANCES PRIOR TO FABRICATING GREASE EXHAUST DUCT.

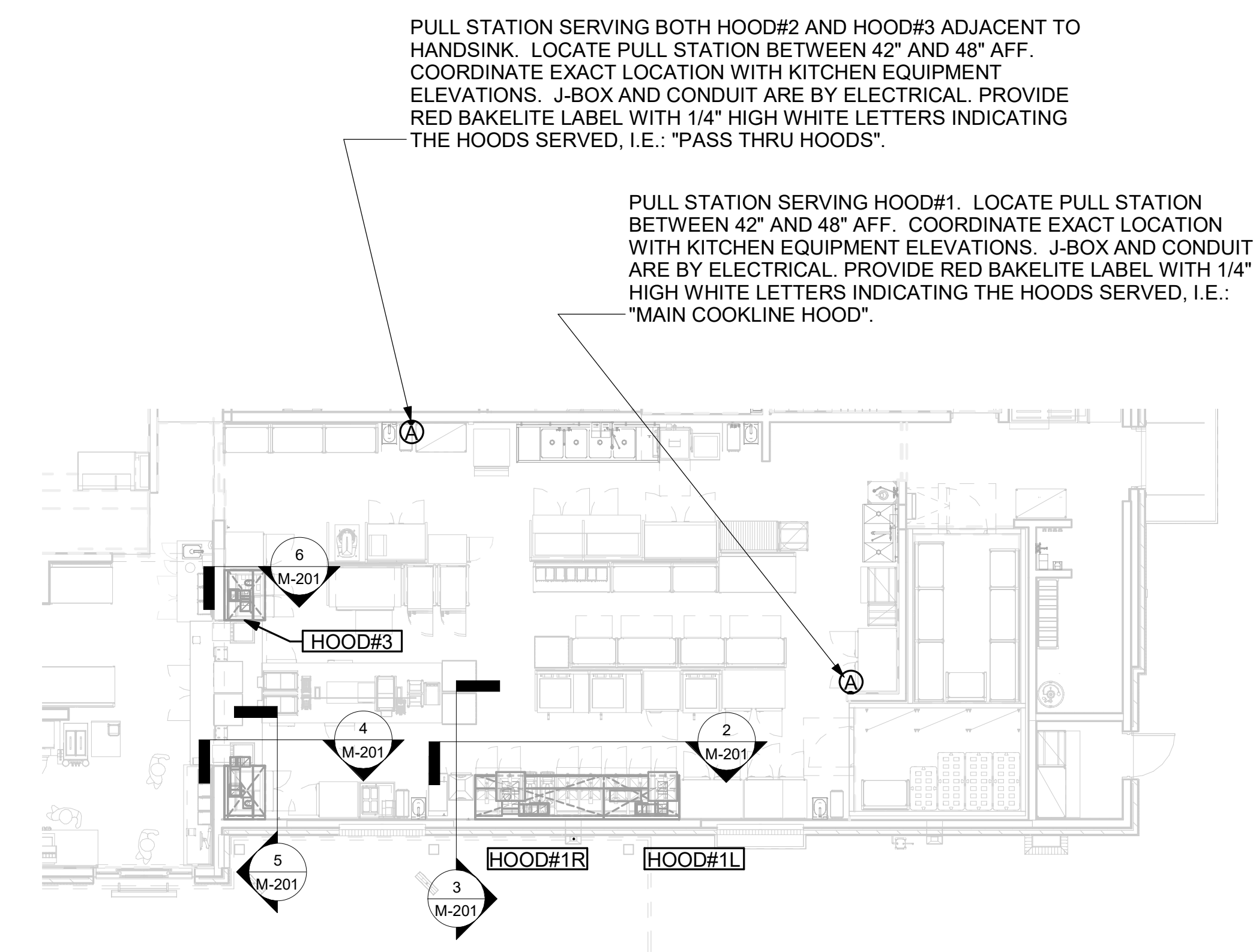
CLEANOUT DOOR NOTE:
DUCT WRAP SHALL BE APPLIED TO THE CLEANOUT DOOR PER THE WRAP MFR'S INSTALLATION INSTRUCTIONS, NO EXCEPTIONS. ALSO, THE CLEANOUT DOOR MUST BE REMOVABLE WITHOUT TOOLS AND MUST BE CLEARLY AND PERMANENTLY LABELED.



3 HOOD ELEVATION - HOOD#1 - SIDE
NOT TO SCALE



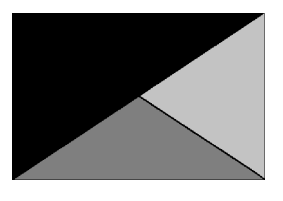
2 HOOD ELEVATION - HOOD#1 - FRONT
NOT TO SCALE



1 HOOD LAYOUT
NOT TO SCALE



Chick-fil-A
Chick-fil-A
5200 Buffington Road
Atlanta, Georgia
30349-2998



Kurzynske & Associates
2705 Lebanon Pike - Suite One
Nashville, Tennessee 37214
Telephone: (615) 255-5203



CHICK-FIL-A
Horn Lake FSU

4323 Goodman Road West
Horn Lake, MS 38637

FSR#05540

BUILDING TYPE / SIZE: P14 LSR BN
RELEASE: 23.09
PRINTED FOR: CONSTRUCTION

NO.	DATE	DESCRIPTION
1	02/09/2024	CFA Updates & Design Notes

CONSULTANT PROJECT # 24006.EH.S
DATE 01/10/2024
DRAWN BY BLM

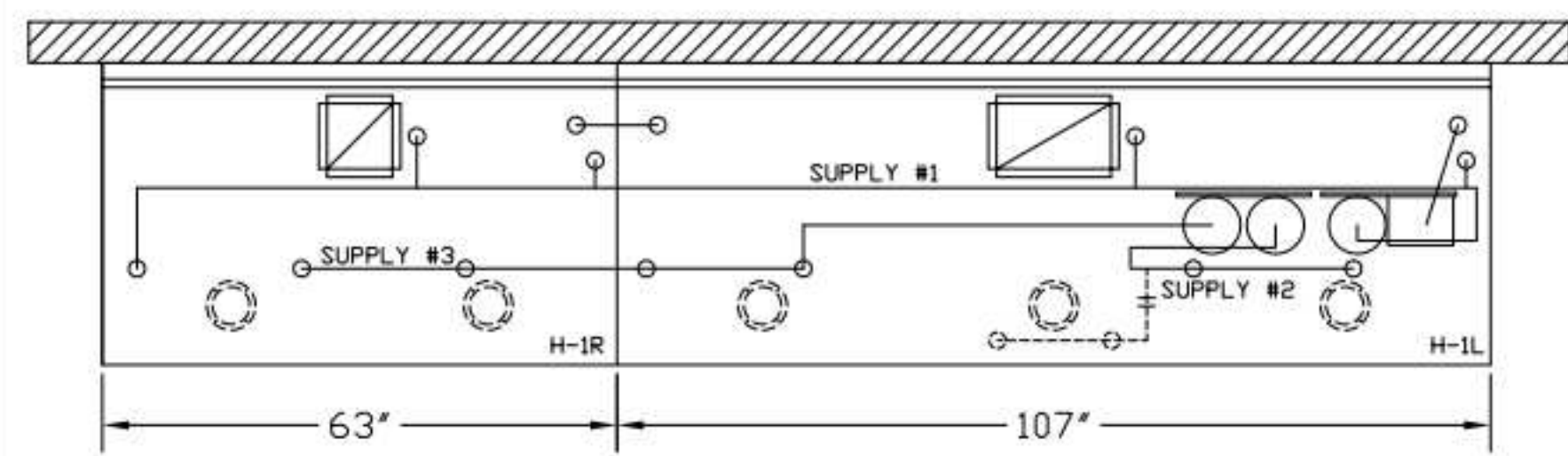
Information contained on this drawing and in all digital files produced for above named project may not be reproduced in any manner without express written or verbal consent from authorized project representatives.
SHEET EXHAUST HOOD ELEVATIONS

SHEET NUMBER M-201

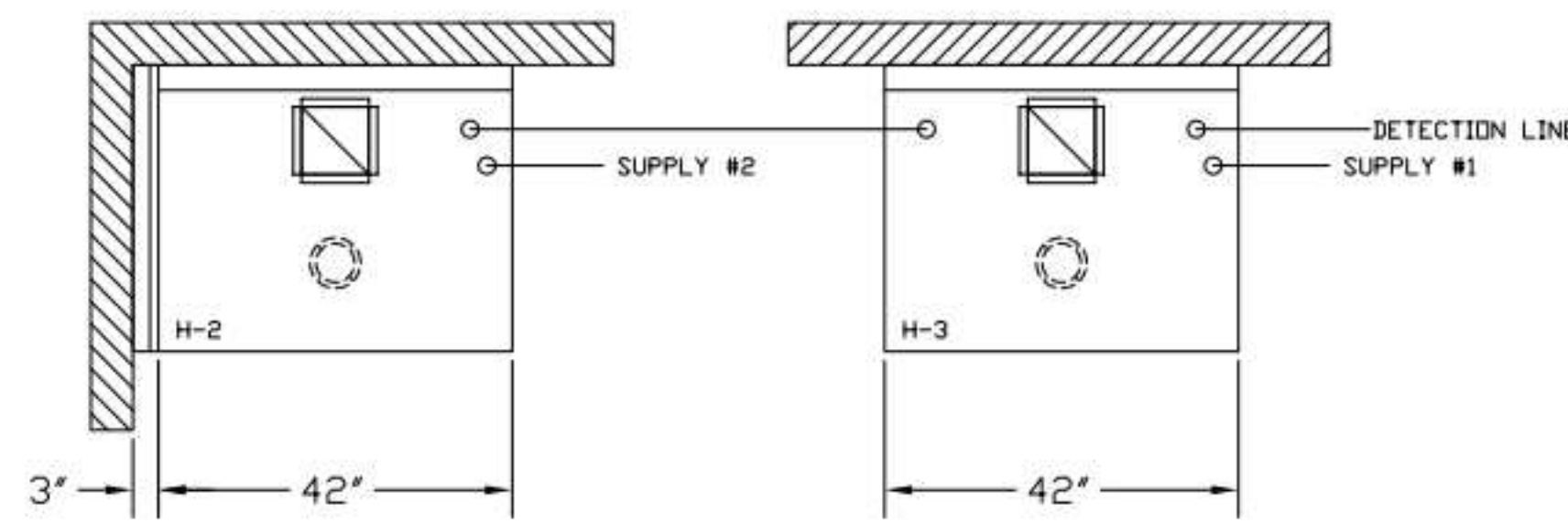
Autodesk Docs://MS_05540_Horn Lake FSU_2023.10_FSR05540_Horn Lake FSU_K&A_MEC.rvt
2/9/2024 9:29:29 AM
30-LSR-05540-M-201-EXHAUST HOOD ELEVATIONS

NOTE:

FIRE SYSTEM TYPE TO BE DETERMINED AT TIME OF ORDER RELEASE.



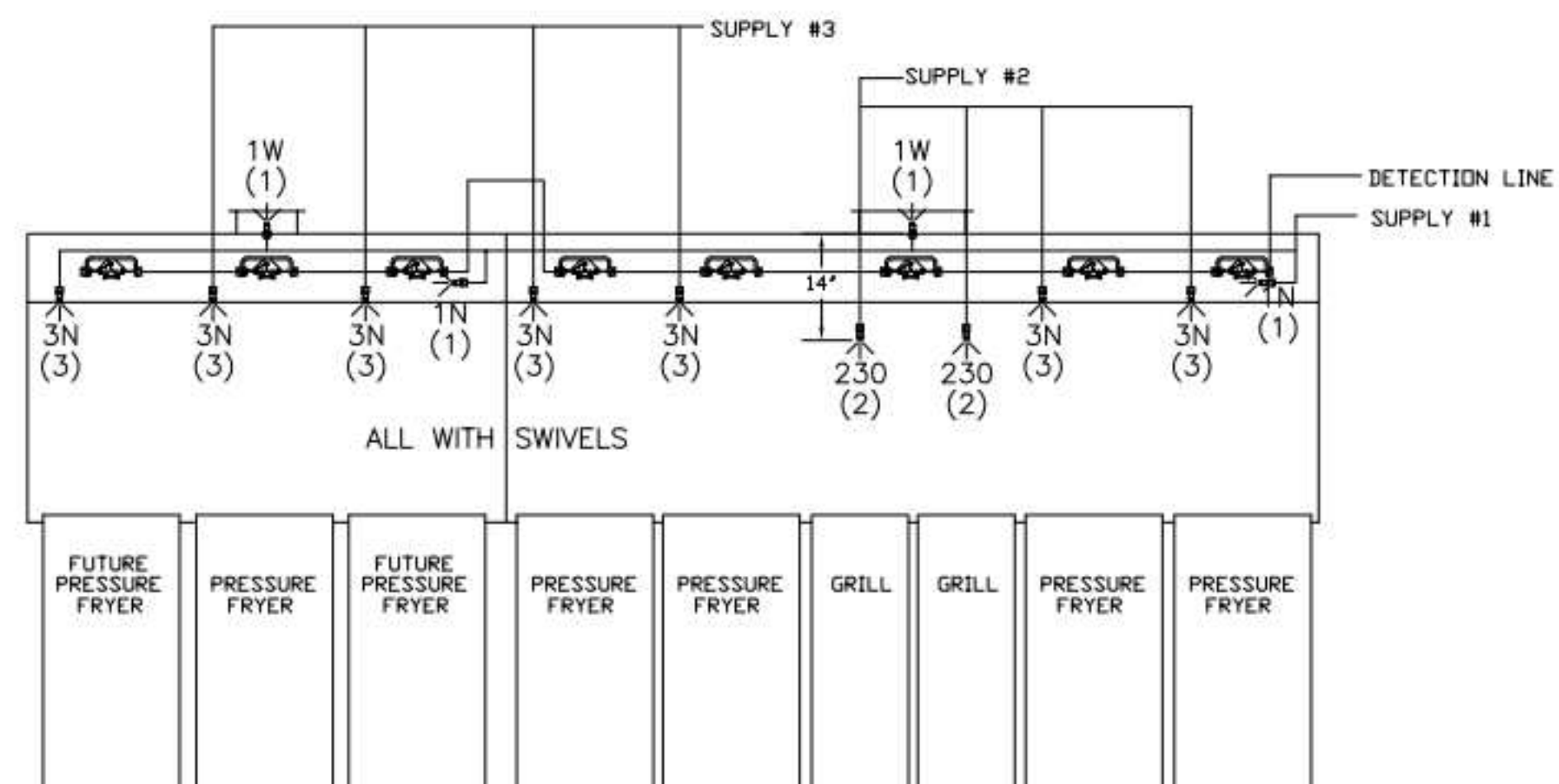
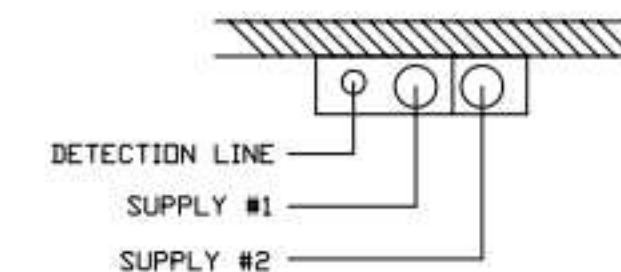
- ANSUL R-102 FIRE SYSTEM**
- (1) DEM REGULATED RELEASE
 - (2) EXTRA MICRO SWITCH ASSEMBLIES (MOUNTED IN DEM REG. REL.)
 - (3) 3 GALLON TANKS
- A) 9 GALLON SYSTEM (3 TANKS) (MOUNTED ON HOOD H-1L & H-1R)
- B) 3/8" BLACK IRON PIPING W/ 3/8" S.S. APPLIANCE DROPS



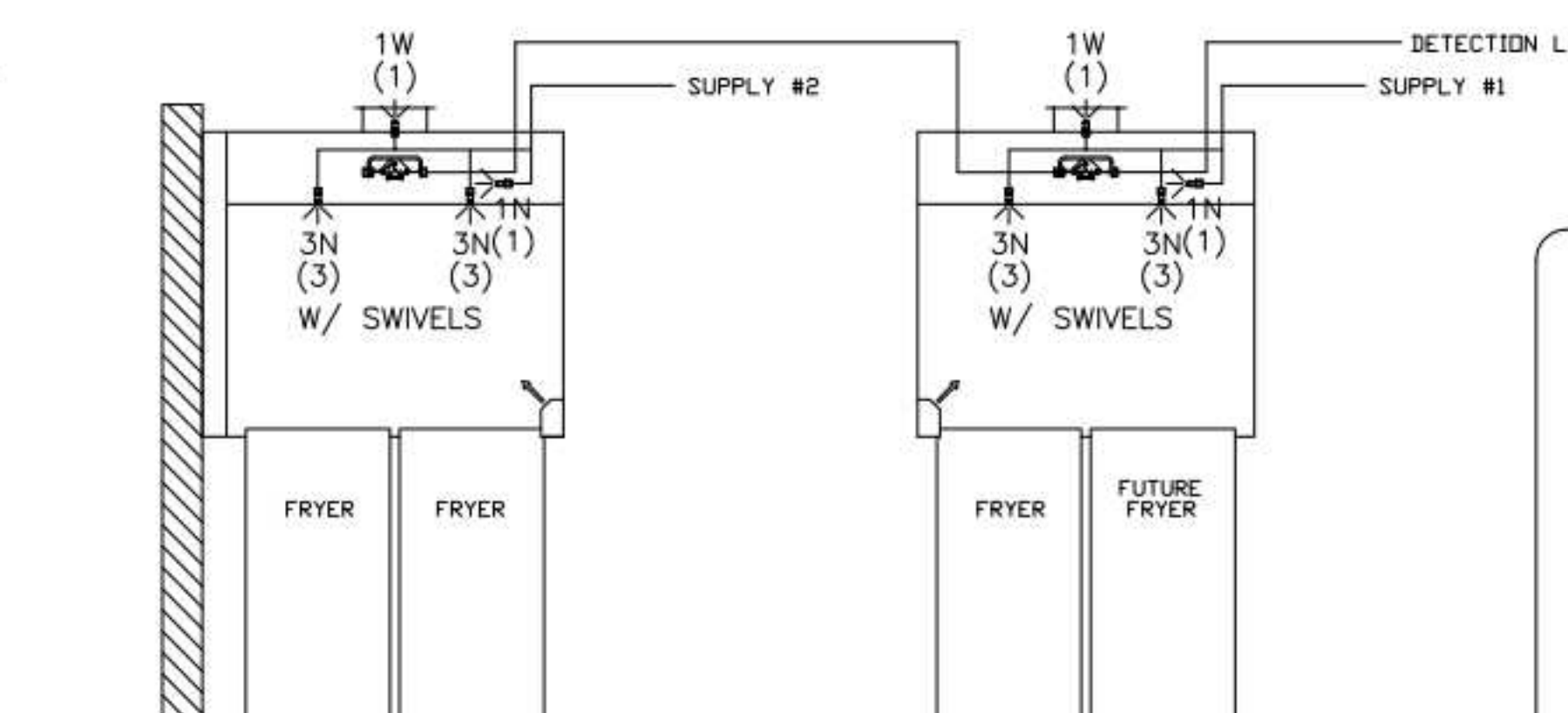
- ANSUL R-102 FIRE SYSTEM**
- (1) ELEC REGULATED RELEASE
 - (2) EXTRA MICRO SWITCH ASSEMBLIES (MOUNTED IN REG. REL.)
 - (3) SINGLE TANK ENCLOSURE
 - (4) 3 GALLON TANK
- A) 6 GALLON SYSTEM (2 TANKS) (REMOTE MOUNTED) (FOR HOOD H-2 & H-3)
- B) 3/8" BLACK IRON PIPING W/ 3/8" S.S. APPLIANCE DROPS

****PROTECTS HOODS H-2 & H-3****

REMOTE MOUNTED:
 (1) REGULATED RELEASE (WITH ONE TANK)
 (1) SINGLE TANK ENCLOSURE (WITH ONE TANK)



ANSUL R-102 FIRE SYSTEM LAYOUT



ANSUL R-102 FIRE SYSTEM LAYOUT

FIRE EXTINGUISHER

ISO VIEW W/BACKET

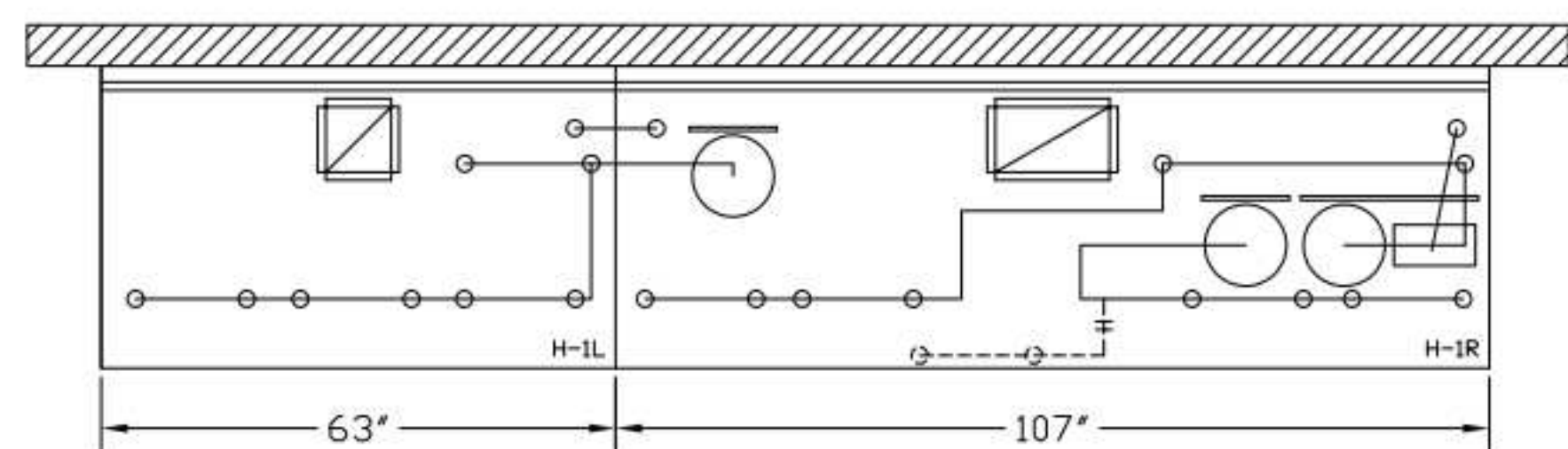
5 LBS. ABC MODEL B402 QTY: _____

10 LBS. ABC MODEL B456 QTY: _____

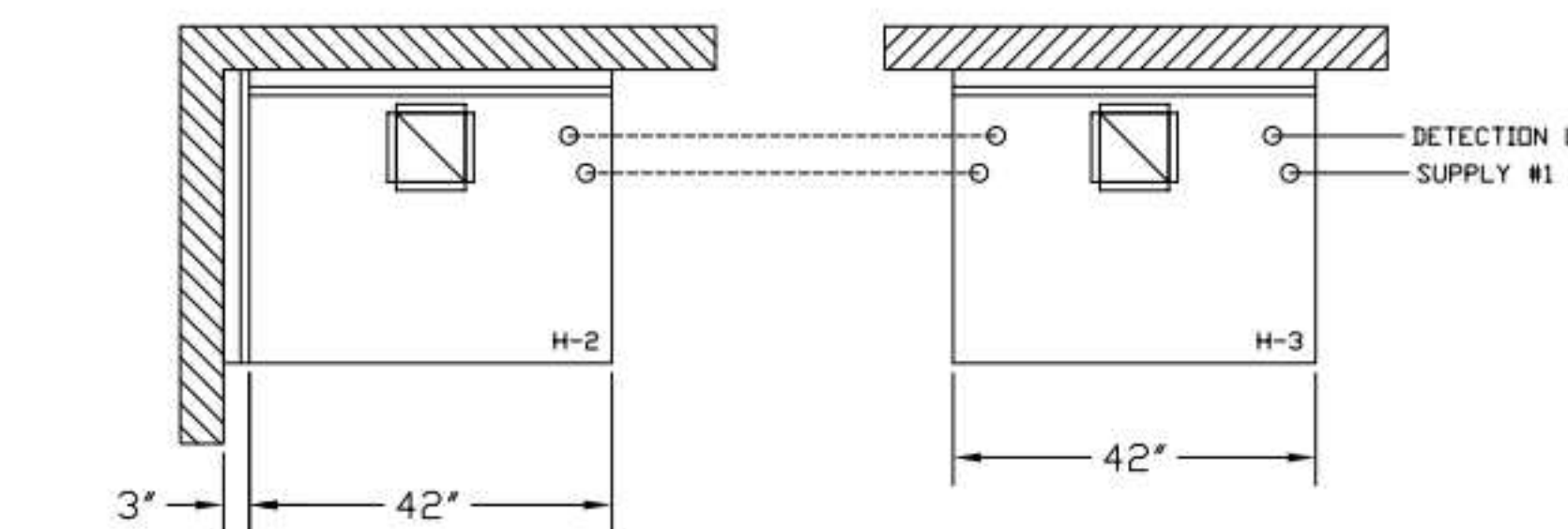
6 LTR CLASS K MODEL C-260 QTY: _____

SUPPLIED BY HALTON

1/2" BLACK IRON SUPPLY LINE REQ'D FROM TANK TO FIRST BRANCH LINE FOR 475 TANKS ONLY!



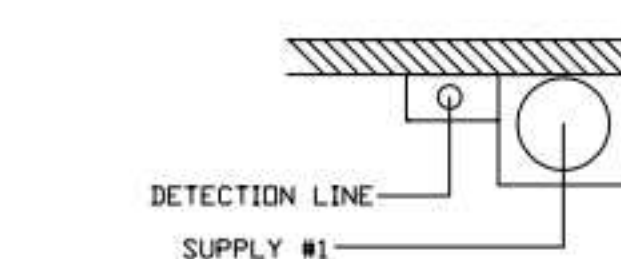
- AMEREX FIRE SYSTEM**
- (1) MECHANICAL RELEASE MODULE
 - (2) EXTRA MICRO SWITCH ASSEMBLIES (MOUNTED IN MECHANICAL REL. MODULE)
 - (3) 3.75 GALLON TANK
 - (4) 4.75 GALLON TANKS
- A) (1) KP375 TANK - 11 FLOW POINTS
(2) KP475 TANKS - 14 FLOW POINTS (MOUNTED ON HOOD H-1L & H-1R)
- B) 1/2" & 3/8" BLACK IRON PIPING W/ 3/8" S.S. APPLIANCE DROPS



- AMEREX FIRE SYSTEM**
- (1) SYSTEM ENCLOSURE
 - (2) WALL MOUNTING BRACKET
 - (3) MECHANICAL RELEASE MODULE
 - (4) EXTRA MICRO SWITCH ASSEMBLIES (MOUNTED IN MECHANICAL REL. MODULE)
 - (5) KP475 AGENT CYLINDERS (4.75 GALLON TANK)
- A) (1) KP475 TANKS - 14 FLOW POINTS (REMOTE MOUNTED) (FOR HOOD H-2 & H-3)
- B) 1/2" & 3/8" BLACK IRON PIPING W/ 3/8" S.S. APPLIANCE DROPS

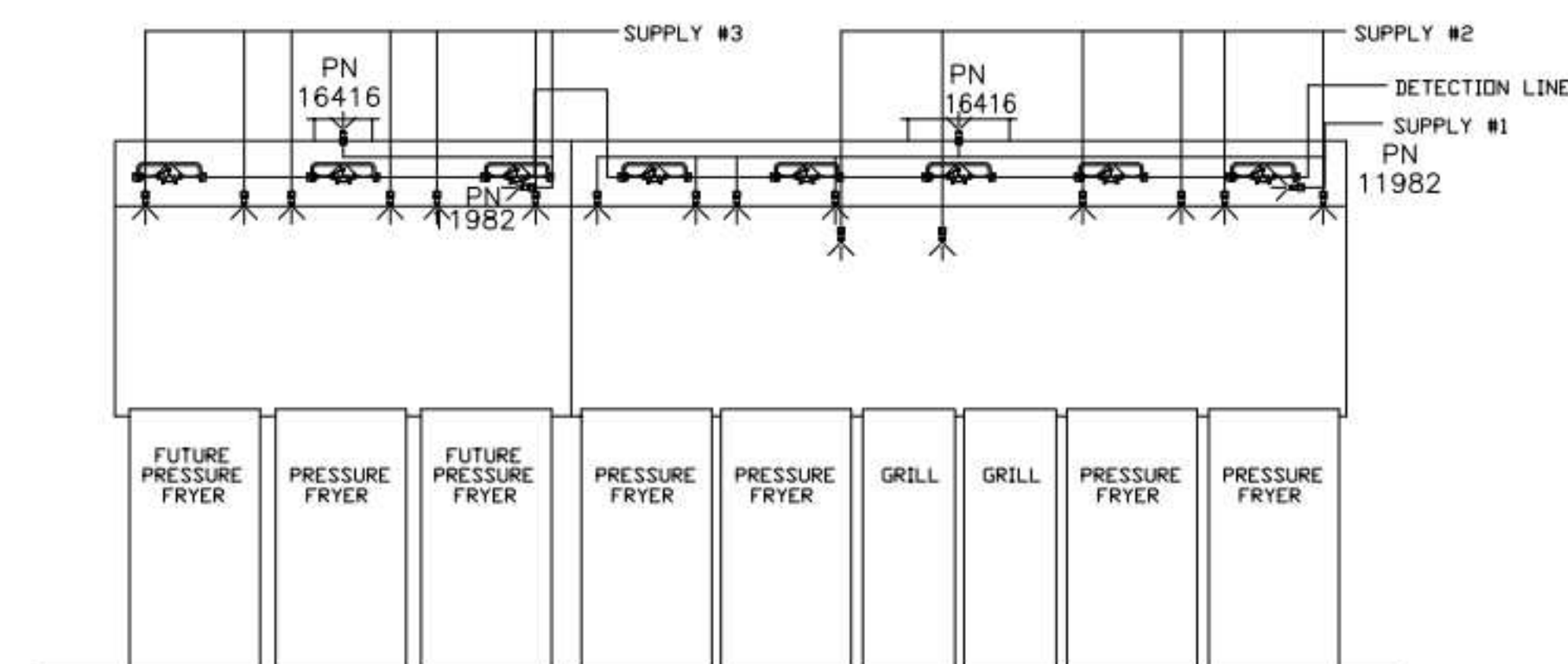
****PROTECTS HOODS H-2 & H-3****

REMOTE MOUNTED:
 (1) SYSTEM ENCLOSURE
 (1) WALL MOUNTING BRACKET
 (1) MECHANICAL RELEASE MODULE
 (1) KP475 AGENT CYLINDER (4.75 GALLON TANK)

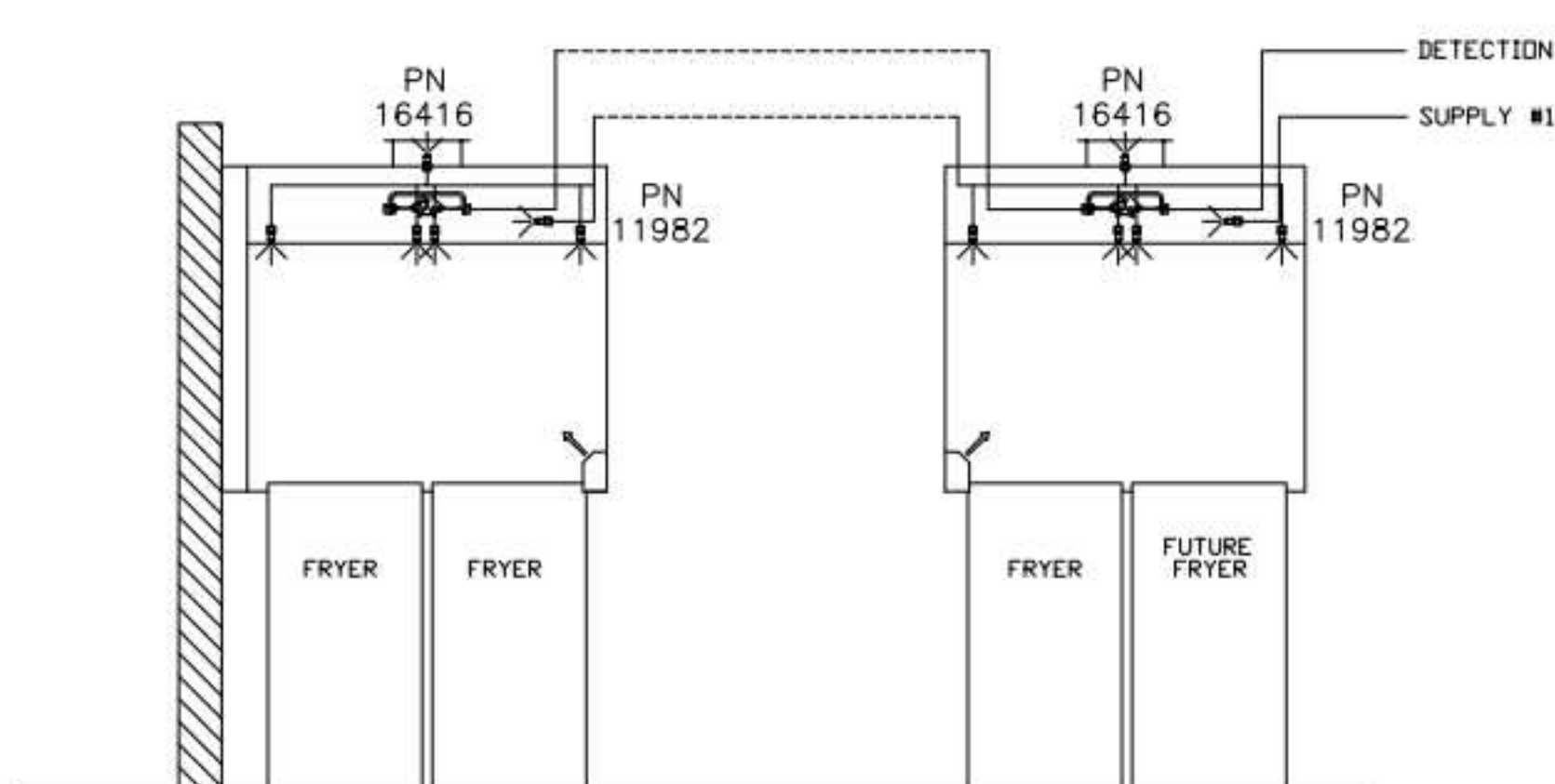


ALL APPLIANCE NOZZLES FOR PRESSURE FRYERS ARE PN 13729 NOZZLES W/ SWIVELS. ALL GRILL NOZZLES ARE 14178 NOZZLES W/ SWIVELS.

ALL APPLIANCE NOZZLES FOR H-2 & H-3 ARE PN 11982 NOZZLES W/ SWIVELS.



AMEREX FIRE SYSTEM LAYOUT



AMEREX FIRE SYSTEM LAYOUT

FUSIBLE LINK RATINGS

ITEM	TEMP
OPEN FRYERS	450°
2 BURNER / FLAT TOP	450°
PRESSURE FRYERS	450°
GRILL	450°
EXHAUST COLLARS	450°

ANSUL

ANSUL R-102 FIRE SYSTEM NOTES
 THREE TANK SYSTEM MOUNTED ON TOP OF (H-1R)
 MAXIMUM FLOW POINTS = 33

ANSUL R-102 FIRE SYSTEM NOTES
 TWO TANK SYSTEM REMOTE MOUNTED ON WALL
 MAXIMUM FLOW POINTS = 22

ITEM #	QTY	DESCRIPTION	FLOW PTS (TOTAL)
1W	4	DUCT NOZZLES	4
1N	4	PLENUM NOZZLES	4
230	2	APPLIANCE NOZZLES	4
3N	11	APPLIANCE NOZZLES	33

TOTAL FLOW POINTS - 45

ITEM #	QTY	DESCRIPTION
#200	8	SERIES DETECTORS W/ FUSIBLE LINKS
#201	2	TERMINAL DETECTOR W/ FUSIBLE LINKS
#202	1	ELEC DEM REGULATED RELEASE W/ DOUBLE POLE MICRO SWITCH
#202	1	ELEC REGULATED RELEASE W/ DOUBLE POLE MICRO SWITCH
#203	5	3 GALLON TANKS
#204	1	SINGLE TANK ENCLOSURE
#205	2	REMOTE PULL STATION

ANSUL R-102 FIRE SYSTEM
 UL LISTED PER STD LATEST STD 300

- FINAL INSTALLATION IS TO BE MADE IN ACCORDANCE WITH ALL APPLICABLE CODES
- ALL ELECTRICAL COMPONENTS FOR EQUIPMENT SHUT DOWN TO BE PROVIDED BY THE ELECTRICIAN. MICRO-SWITCH INSTALLED IN REGULATED RELEASE BY ANSUL INSTALLER
- REMOTE PULL STATION LOCATED PER MECHANICAL DRAWINGS

FUSIBLE LINK RATINGS

ITEM	TEMP
OPEN FRYERS	450°
2 BURNER / FLAT TOP	450°
PRESSURE FRYERS	450°
GRILL	450°
EXHAUST COLLARS	450°

AMEREX

AMEREX FIRE SYSTEM NOTES
 (1) KP375 & (2) KP475 TANK SYSTEM MOUNTED ON TOP OF (H-1L)
 MAXIMUM FLOW POINTS = 39

AMEREX FIRE SYSTEM NOTES
 KP475 TANK SYSTEM REMOTE MOUNTED
 (1) TANK
 MAXIMUM FLOW POINTS = 14

ITEM #	QTY	DESCRIPTION	FLOW PTS (TOTAL)
16416	4	DUCT NOZZLES	4
11982	4	PLENUM NOZZLES	4
11982	8	APPLIANCE NOZZLES	8
14178	2	APPLIANCE NOZZLES	4
13729	14	APPLIANCE NOZZLES	28

TOTAL FLOW POINTS - 48

ITEM #	QTY	DESCRIPTION
12508-P001	10	DETECTOR BRACKET ASSEMBLY
13334	1	KP375 AGENT CYLINDER
17379	3	KP475 AGENT CYLINDER
18001	1	MECHANICAL RELEASE MODULE W/ DOUBLE POLE MICRO SWITCH
25851	1	SYSTEM ENCLOSURE W/ DOUBLE POLE MICRO SWITCH
16290	1	WALL MOUNTING BRACKET
21481	3	REMOTE MANUAL PULL STATION

AMEREX FIRE SYSTEM
 TESTED & LISTED BY UNDERWRITERS LABORATORIES, INC. TO UL STANDARD 300.

- FINAL INSTALLATION IS TO BE MADE IN ACCORDANCE WITH ALL APPLICABLE CODES
- ALL ELECTRICAL COMPONENTS FOR EQUIPMENT SHUT DOWN TO BE PROVIDED BY THE ELECTRICIAN. MICRO-SWITCH INSTALLED IN REGULATED RELEASE BY AMEREX INSTALLER
- REMOTE PULL STATION LOCATED PER MECHANICAL DRAWINGS

THIS DRAWING MUST BE CHECKED, SIGNED AND RETURNED TO THE APPROPRIATE FACTORY. PLEASE VERIFY THE FOLLOWING:
 1. ALL DIMENSIONAL INFORMATION, MOUNTING POSITIONS AND CLEARANCES.
 2. THE LOCATION AND TYPE OF COOKING EQUIPMENT.
 NOTE TO APPROVER: IF ANY CHANGES TO THE EQUIPMENT OR EQUIPMENT POSITION MAY AFFECT EXHAUST AIRFLOW, HALTON MUST BE NOTIFIED IF ANY OF THESE CHANGES OCCUR. A RECALCULATION EXHAUST AIRFLOW MAY BE REQUIRED.
 REVISE AND RESUBMIT
 APPROVED FOR FABRICATION
 WITH CHANGES AS NOTED
 APPROVED BY: _____ DATE: _____



WEBSITE: WWW.HALTON.COM
 HALTON CO. (USA)
 101 INDUSTRIAL DRIVE
 SCOTTSDALE, KY 42164
 1-270-237-5600

MAIL APPROVED DRAWINGS TO APPROPRIATE FACTORY BELOW:
 HALTON CO. (CANADA)
 1021 BREVIK PLACE
 MISSISSAUGA, ON L4W 3R7
 1-905-624-0301

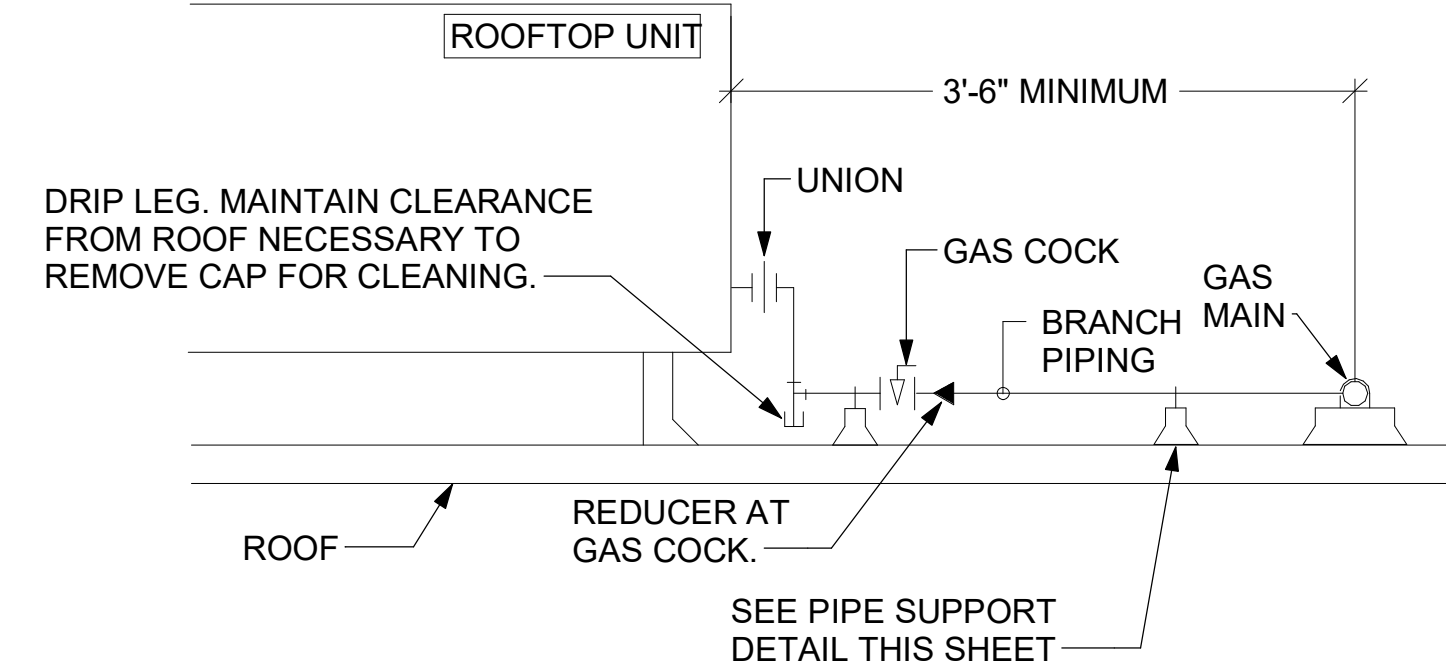
PROJECT: CHICK-FIL-A P14 - REVERSE
 LSR BUILDING

LOCATION: --- DATE: 08.09.22
 DRAWN BY: CG DATE: 08.09.22
 SCALE: NTS
 Halton Dwg: U22-606-02FS

Sheet MH-1.2

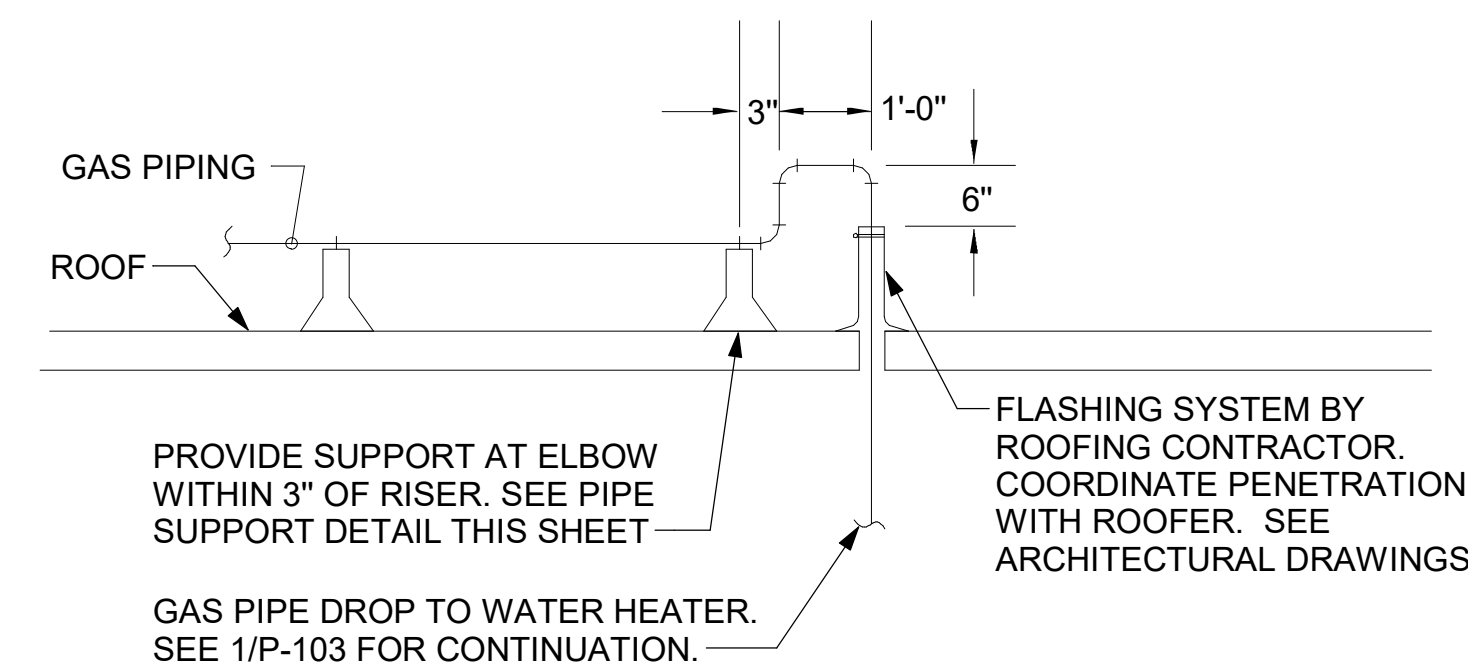


- NOTES:**
1. INSTALL GAS PIPING SUCH THAT HVAC EQUIPMENT ACCESS PANELS AND/OR DOORS ARE IN NO WAY OBSTRUCTED BY PIPING, VALVES, OR SUPPORTS.
 2. TO AVOID CONFLICT WITH AC UNIT ACCESS DOORS, INSTALL GAS PIPING NO CLOSER THAN 3'-6" FROM AC UNIT. (EXCEPT FOR BRANCH LINE CONNECTED TO AC UNIT.)
 3. ROUTE BRANCH TAKE-OFF DIRECTLY FROM MAIN TO ROOFTOP UNIT AS SHOWN ON PLAN AND DETAILS WITHOUT LATERAL OFFSETS WHICH MAY OBSTRUCT UNIT ACCESS DOORS.

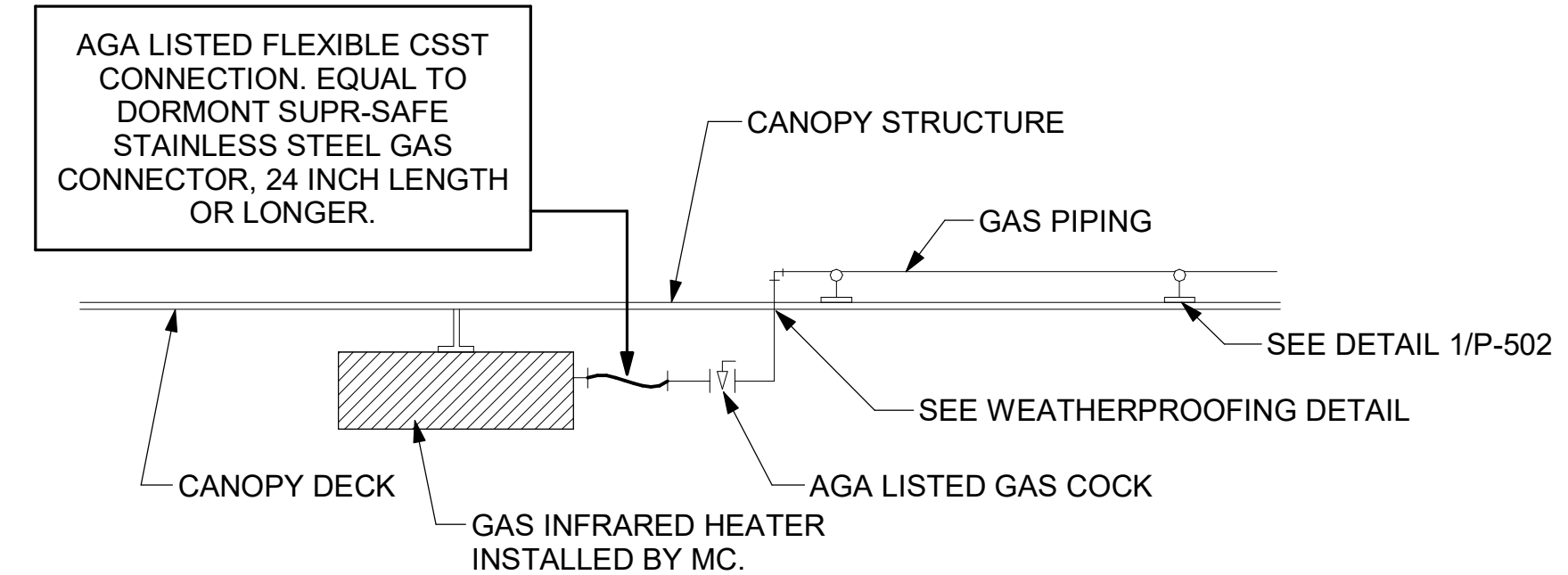


3 GAS PIPING AT RTU
NOT TO SCALE

OFFSET PIPING A MINIMUM OF 6" ABOVE TOP EDGE OF FLASHING.

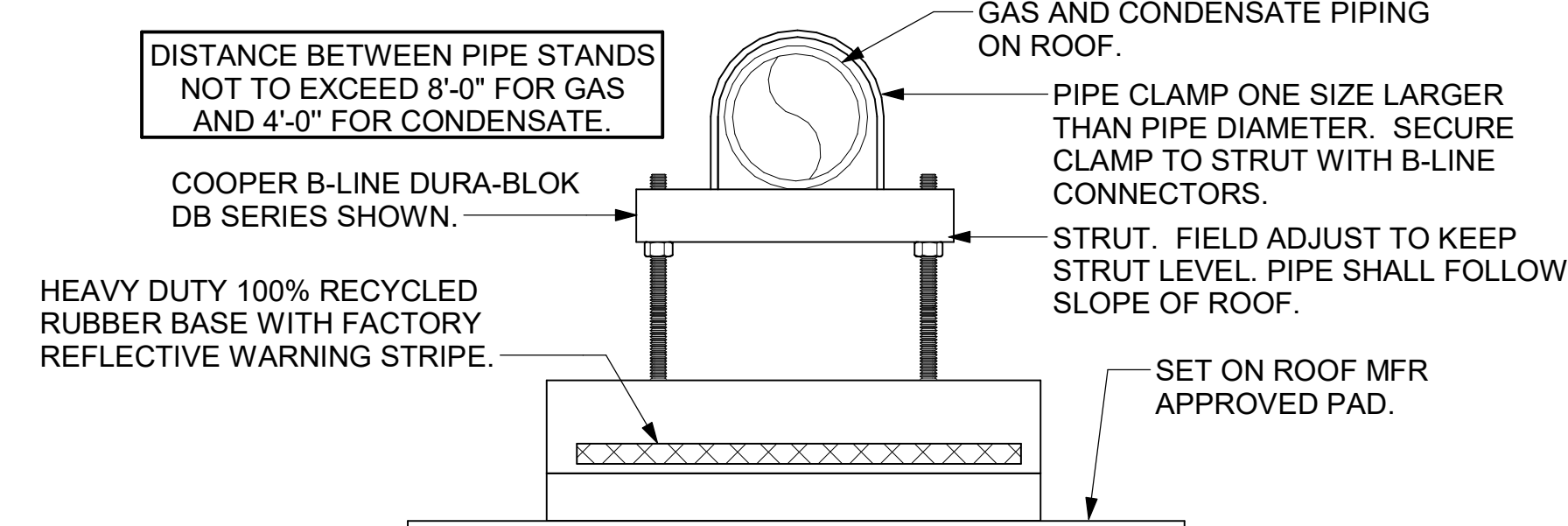


2 GAS PIPE DROP TO WATER HEATER
NOT TO SCALE

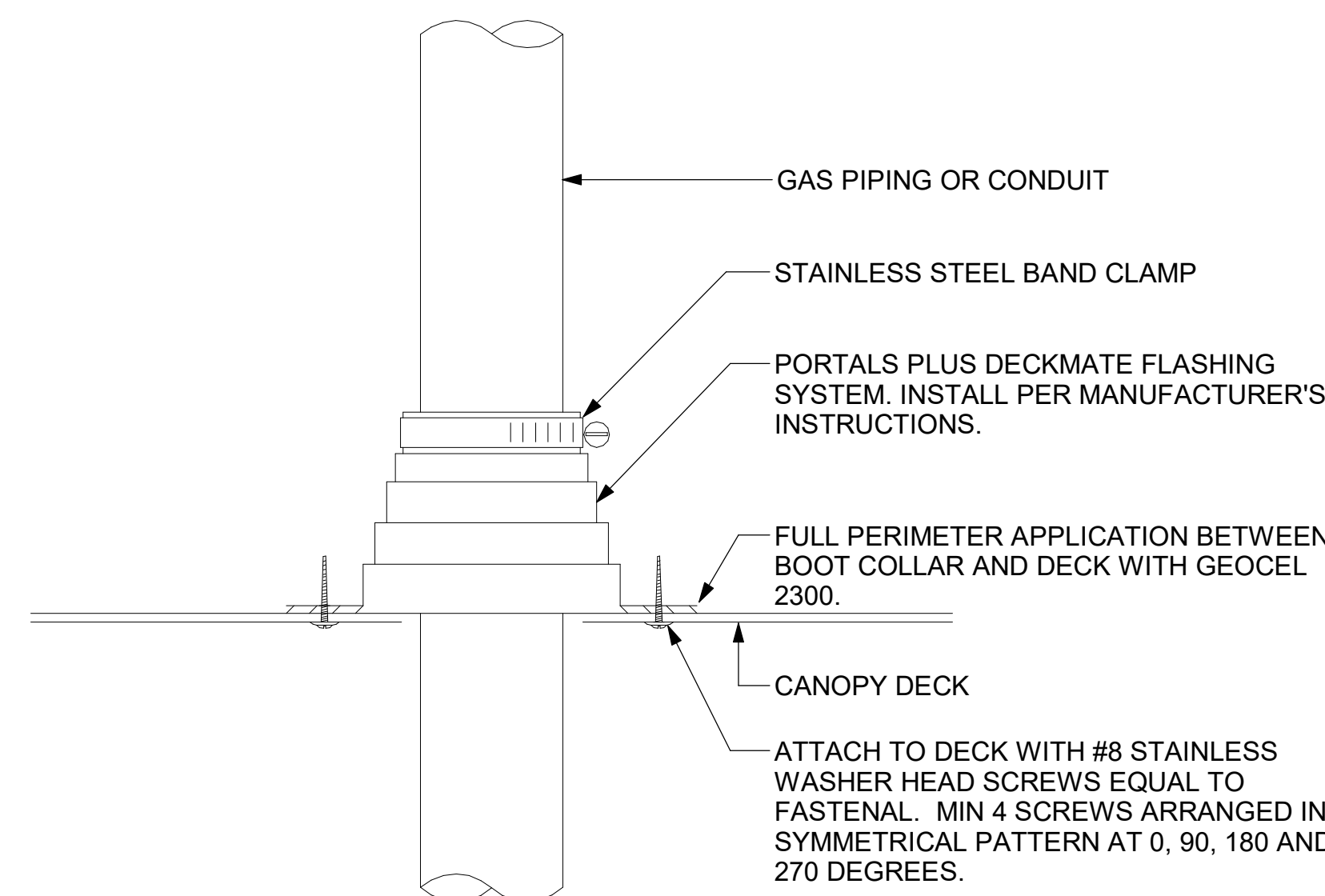


1 GAS CONNECTION AT APPLIANCE
NOT TO SCALE

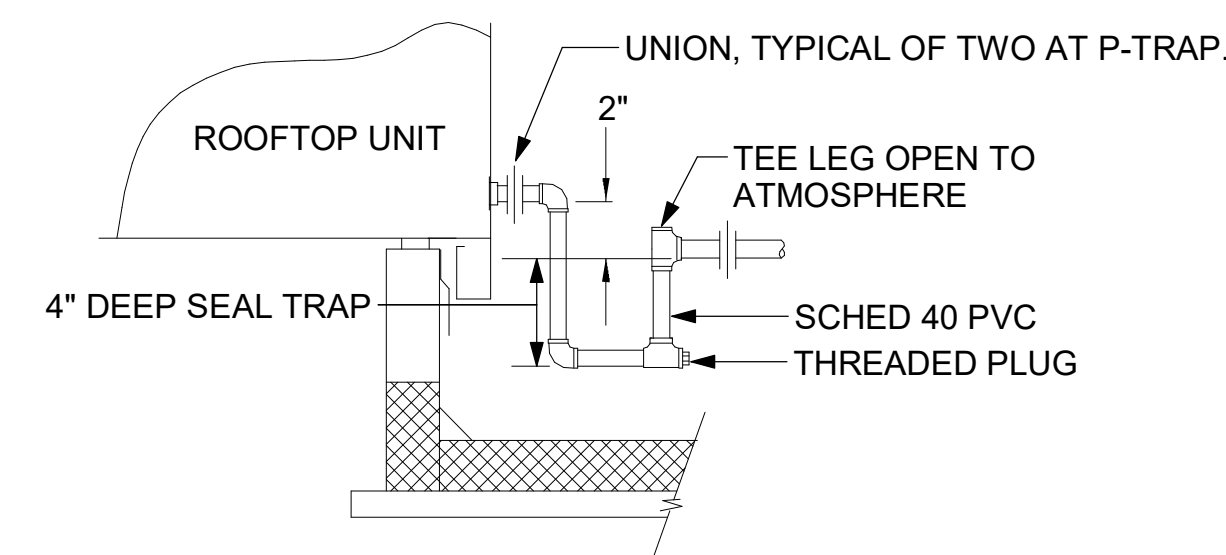
- NOTES:**
1. NON ADJUSTABLE MODEL DB610 PIPE STAND TO BE USED FOR NON-ELEVATED PIPING INSTALLED FLAT ON ROOF DECK.
 2. PROVIDE MODEL DBE 10-8 OR DBE 10-12 OR DBE 10-16 AS NEEDED FOR ELEVATING CONDENSATE PIPING TO MAINTAIN PROPER SLOPE AND FOR GAS PIPING CROSSING OVER CONDENSATE PIPING.
 3. ENSURE GAS AND CONDENSATE PIPING DO NOT OBSTRUCT ROOFTOP EQUIPMENT ACCESS OPENINGS. RE-PIPING OF SYSTEMS DUE TO CONFLICTS WITH EQUIPMENT ACCESS OPENINGS SHALL BE DONE AT PLUMBING CONTRACTOR'S EXPENSE.



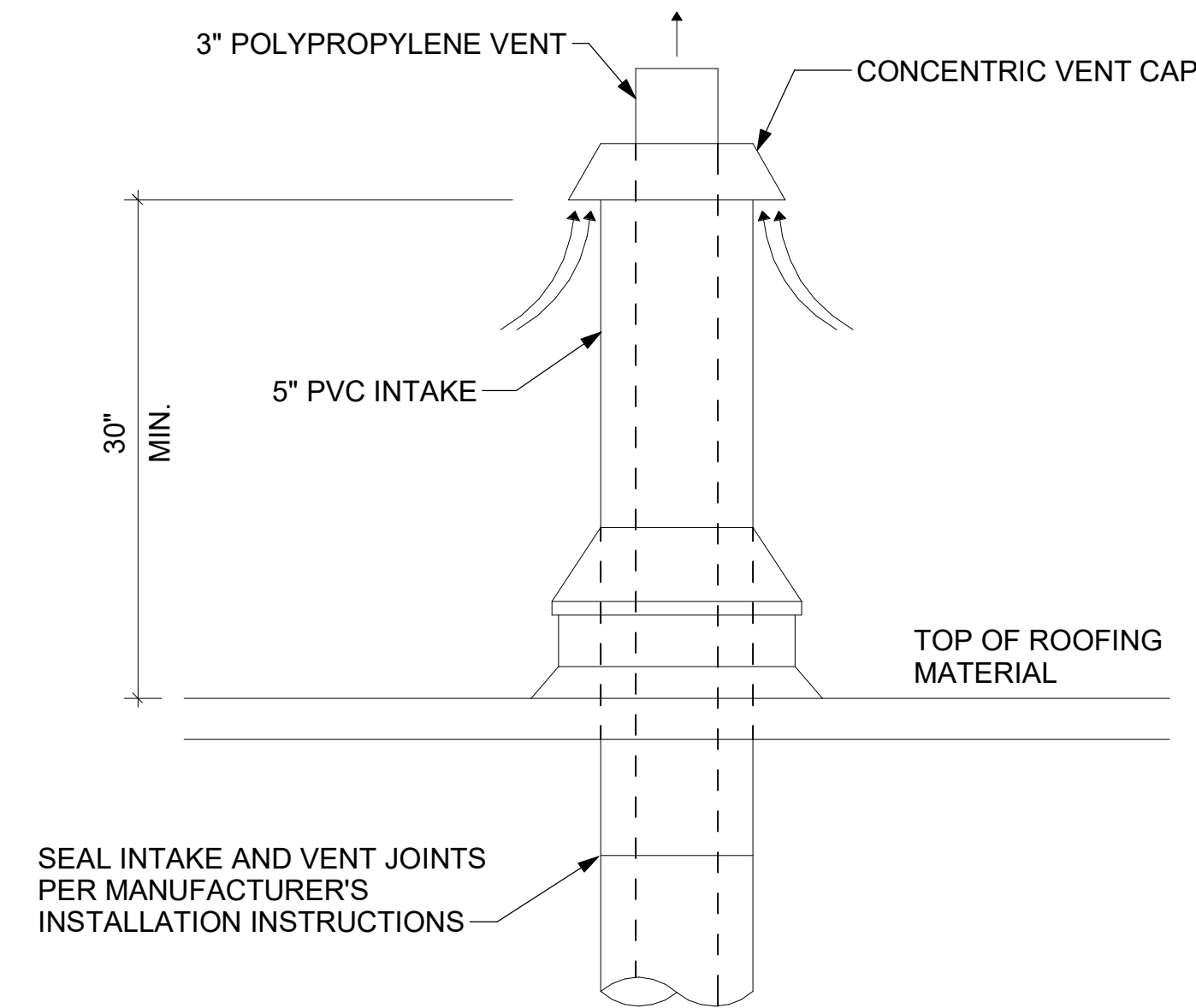
4 PIPING SUPPORT ON ROOF
NOT TO SCALE



6 WEATHERPROOFING AT CANOPY PENETRATION
NOT TO SCALE



5 CONDENSATE DRAIN PIPING
NOT TO SCALE

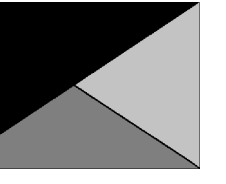


7 WATER HEATER VENT ROOF PENETRATION
NOT TO SCALE



Chick-fil-A

Chick-fil-A
5200 Buffington Road
Atlanta, Georgia
30349-2998



Kurzynske & Associates
2705 Lebanon Pike - Suite One
Nashville, Tennessee 37214
Telephone: (615) 255-5203



CHICK-FIL-A
Horn Lake FSU

4323 Goodman Road West
Horn Lake, MS 38637

FSR#05540

BUILDING TYPE / SIZE: P14 LSR BN
RELEASE: 23.09

PRINTED FOR
CONSTRUCTION

REVISION SCHEDULE		
NO.	DATE	DESCRIPTION
1	02/09/2024	CFA Updates & Design Notes

CONSULTANT PROJECT # 24006.EH.S
DATE 01/10/2024
DRAWN BY BLM

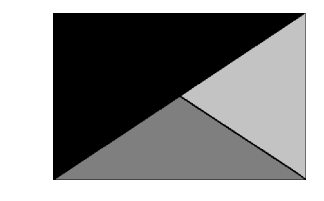
Information contained on this drawing and in all digital files produced for above named project may not be reproduced in any manner without express written or verbal consent from authorized project representatives.
SHEET
DETAILS

SHEET NUMBER
M-502



Chick-fil-A

Chick-fil-A
5200 Buffington Road
Atlanta, Georgia
30349-2998



Kurzynske & Associates
2705 Lebanon Pike - Suite One
Nashville, Tennessee 37214
Telephone: (615) 255-5203



CHICK-FIL-A
Horn Lake FSU
4323 Goodman Road West
Horn Lake, MS 38637

FSR#05540

BUILDING TYPE / SIZE: P14 LSR BN
RELEASE: 23.09
PRINTED FOR: CONSTRUCTION

REVISION SCHEDULE
NO. DATE DESCRIPTION
1 02/09/2024 CFA Updates & Design Notes

CONSULTANT PROJECT # 24006.EH.S
DATE 01/10/2024
DRAWN BY BLM

Information contained on this drawing and in all digital files produced for above named project may not be reproduced in any manner without express written or verbal consent from authorized project representatives.

SHEET HVAC VENTILATION SCHEDULES
SHEET NUMBER

M-602

VENTILATION SCHEDULE

General			Ventilation												Exhaust						Served by		
Room #	Room Name	Area A _z ft ²	People			Area			Breathing Zone Outdoor Airflow CFM	Zone Air Distribution Effectiveness	Zone Outdoor Airflow CFM	Primary Zone Airflow CFM	Primary Outdoor Air Fraction	Actual Outdoor Airflow CFM	Area		Toilet		Actual Exhaust CFM	Supply	Exhaust		
			Occupant Density People/1,000 ft ²	Occupants P _z	Outdoor Airflow Rate CFM/Person R _p	Outdoor Airflow CFM P _z x R _p	Outdoor Airflow Rate CFM/ft ² R _a	Outdoor Airflow CFM A _z x R _a							Required Exhaust Rate CFM/ft ²	Total Required Exhaust CFM	Exhaust Control/ Operation	Fixture Exhaust Rate CFM/Fixture				Required Fixture Exhaust CFM	
1	Kitchen	1,245	20	25	7.5	187.5	0.12	149	337	0.8	422	7,700	0.05	1,658	1	872	-	-	-	3,315	AC#1 / ALT AC#1	EF-1 / EF-2	
2	Scullery	126	15	2	7.5	15	0.18	23	38	0.8	48	425	0.11	92	-	-	-	-	-	-	AC#1 / ALT AC#1	-	
Total Area 1,371						Total V _{bz}			375	Total Supply Airflow			8,125	1,750 Actual Outdoor Airflow									
						Diversity (D)			0.74	Maximum Z _p			0.11										
						Uncorrected Outdoor Air Intake (V _{ou})			330	System Ventilation Efficiency (E _v)			1.00										
						Required Outdoor Air Intake (CFM)						329											

VENTILATION SCHEDULE

General			Ventilation												Exhaust						Served by		
Room #	Room Name	Area A _z ft ²	People			Area			Breathing Zone Outdoor Airflow CFM	Zone Air Distribution Effectiveness	Zone Outdoor Airflow CFM	Primary Zone Airflow CFM	Primary Outdoor Air Fraction	Actual Outdoor Airflow CFM	Area		Toilet		Actual Exhaust CFM	Supply	Exhaust		
			Occupant Density People/1,000 ft ²	Occupants P _z	Outdoor Airflow Rate CFM/Person R _p	Outdoor Airflow CFM P _z x R _p	Outdoor Airflow Rate CFM/ft ² R _a	Outdoor Airflow CFM A _z x R _a							Required Exhaust Rate CFM/ft ²	Total Required Exhaust CFM	Exhaust Control/ Operation	Fixture Exhaust Rate CFM/Fixture				Required Fixture Exhaust CFM	
5	Meal Fulfillment Area	543	15	9	7.5	67.5	0.18	98	165	0.8	207	4,375	0.05	1,075	-	-	-	-	-	-	AC#2 / ALT AC#2	-	
Total Area 543						Total V _{bz}			165	Total Supply Airflow			4,375	1,075 Actual Outdoor Airflow									
						Diversity (D)			0.89	Maximum Z _p			0.04										
						Uncorrected Outdoor Air Intake (V _{ou})			154	System Ventilation Efficiency (E _v)			1.00										
						Required Outdoor Air Intake (CFM)						154											

VENTILATION SCHEDULE

General			Ventilation												Exhaust						Served by		
Room #	Room Name	Area A _z ft ²	People			Area			Breathing Zone Outdoor Airflow CFM	Zone Air Distribution Effectiveness	Zone Outdoor Airflow CFM	Primary Zone Airflow CFM	Primary Outdoor Air Fraction	Actual Outdoor Airflow CFM	Area		Toilet		Actual Exhaust CFM	Supply	Exhaust		
			Occupant Density People/1,000 ft ²	Occupants P _z	Outdoor Airflow Rate CFM/Person R _p	Outdoor Airflow CFM P _z x R _p	Outdoor Airflow Rate CFM/ft ² R _a	Outdoor Airflow CFM A _z x R _a							Required Exhaust Rate CFM/ft ²	Total Required Exhaust CFM	Exhaust Control/ Operation	Fixture Exhaust Rate CFM/Fixture				Required Fixture Exhaust CFM	
1	Dining	1,225	70	86	7.5	645	0.18	221	866	0.8	1082	3,320	0.326	806	-	-	-	-	-	-	AC#3 / ALT AC#3	-	
2	Serving	191	15	3	7.5	23	0.18	34	57	0.8	72	500	0.14	121	-	-	-	-	-	-	AC#3 / ALT AC#3	-	
3	Men's RR	151	-	-	-	-	-	-	-	0.8	-	100	-	24	-	-	Continuous	50	100	150	AC#3 / ALT AC#3	EF-3	
4	Women's RR	167	-	-	-	-	-	-	-	0.8	-	135	-	33	-	-	Continuous	50	100	150	AC#3 / ALT AC#3	EF-3	
5	RR Vestibule	117	-	-	-	-	0.06	7	7	0.8	9	115	0.08	28	-	-	-	-	-	-	AC#3 / ALT AC#3	-	
6	Entry Vestibule	63	-	-	-	-	0.06	4	4	0.8	5	400	0.01	97	-	-	-	-	-	-	AC#3 / ALT AC#3	-	
7	Play Area	168	-	-	-	-	0.3	50	50	0.8	63	680	0.09	165	-	-	-	-	-	-	AC#3 / ALT AC#3	-	
Total Area 2,082						Total V _{bz}			984	Total Supply Airflow			5,250	1,275 Actual Outdoor Airflow									
						Diversity (D)			0.88	Maximum Z _p			0.326										
						Uncorrected Outdoor Air Intake (V _{ou})			945	System Ventilation Efficiency (E _v)			0.80										
						Required Outdoor Air Intake (CFM)						1,180											

VENTILATION SCHEDULE

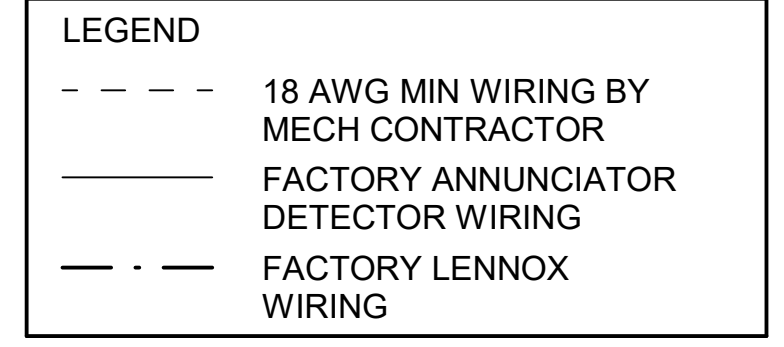
General			Ventilation												Exhaust						Served by		
Room #	Room Name	Area A _z ft ²	People			Area			Breathing Zone Outdoor Airflow CFM	Zone Air Distribution Effectiveness	Zone Outdoor Airflow CFM	Primary Zone Airflow CFM	Primary Outdoor Air Fraction	Actual Outdoor Airflow CFM	Area		Toilet		Actual Exhaust CFM	Supply	Exhaust		
			Occupant Density People/1,000 ft ²	Occupants P _z	Outdoor Airflow Rate CFM/Person R _p	Outdoor Airflow CFM P _z x R _p	Outdoor Airflow Rate CFM/ft ² R _a	Outdoor Airflow CFM A _z x R _a							Required Exhaust Rate CFM/ft ²	Total Required Exhaust CFM	Exhaust Control/ Operation	Fixture Exhaust Rate CFM/Fixture				Required Fixture Exhaust CFM	
1	Team Member Room	172	50	9	5	45	0.06	10	55	0.8	70	650	0.11	158	-	-	-	-	-	-	AC#4 / ALT AC#4	-	
2	Riser Room	41	-	-	-	-	0.12	5	5	0.8	7	100	0.06	24	-	-	-	-	-	-	AC#4 / ALT AC#4	-	
3	Service / Beverage	141	-	-	-	-	0.12	17	17	0.8	22	660	0.03	160	-	-	-	-	-	-	AC#4 / ALT AC#4	-	
4	Office	68	5	1	5	5	0.06	4	9	0.8	12	300	0.04	73	-	-	-	-	-	-	AC#4 / ALT AC#4	-	
5	Employee RR	68	-	-	-	-	-	-	-	0.8	-	40	-	10	-	-	Intermittent	70	70	75	AC#4 / ALT AC#4	EF-4	
Total Area 490						Total V _{bz}			86	Total Supply Airflow			1,750	425 Actual Outdoor Airflow									
						Diversity (D)			0.80	Maximum Z _p			0.11										
						Uncorrected Outdoor Air Intake (V _{ou})			79	System Ventilation Efficiency (E _v)			1.00										
						Required Outdoor Air Intake (CFM)						78											

Autodesk Docs/MS_05540_Horn Lake FSU_2023.10_FSR05540_Horn Lake FSU_K&A_MEC.rvt
2/9/2024 9:29:45 AM
30-LSR-05540-M-602-HVAC VENTILATION SCHEDULES

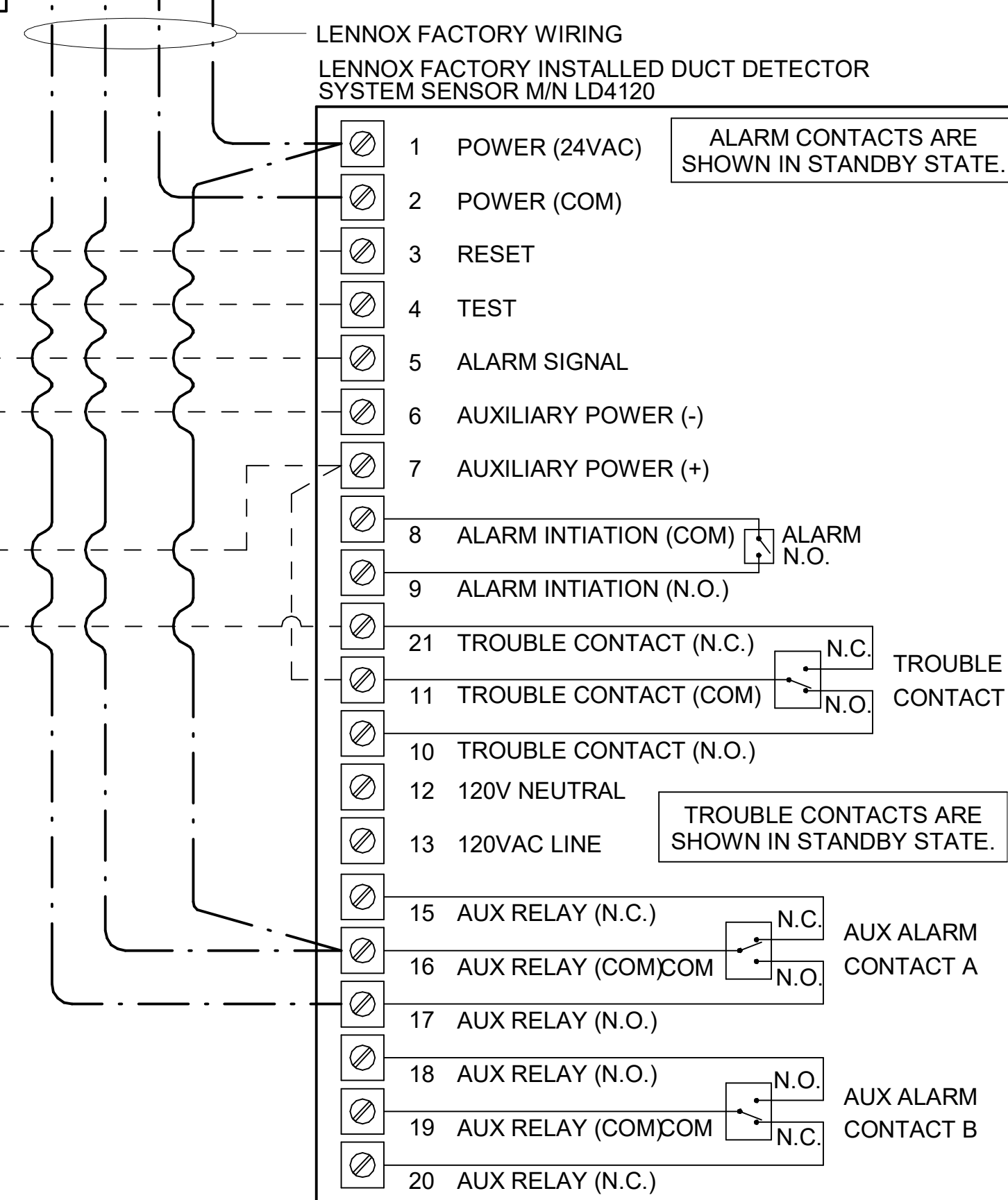
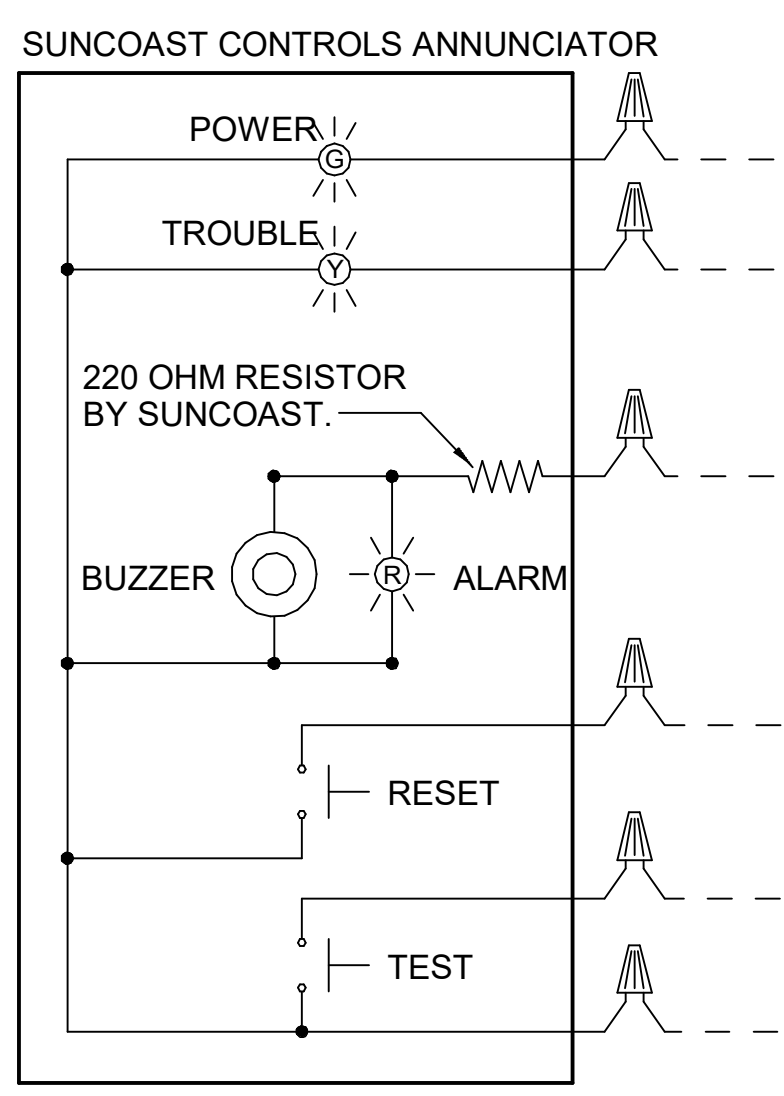
PROVIDE A PROFESSIONALLY LAMINATED COPY OF THESE DETAILS TO BE INSTALLED INSIDE THE ROOFTOP UNIT CONTROL CABINET. USE A SETON CHART FRAME STYLE #68624. TELEPHONE NUMBER 800-243-6624. FOR MOUNTING THE DETAIL. ATTACH THE FRAME TO THE INTERIOR OF THE UNIT IN PLAIN AND EASY VIEW OF THE CONTROLS SECTION. CONTACT ENGINEER OF RECORD FOR A REPRODUCIBLE COPY OF THE DETAIL.

SUPPLY SIDE DETECTORS:
IF SUPPLY SIDE SMOKE DETECTORS ARE SHOWN ON DWG M-101, AND CALLED FOR ON RTU SCHEDULE, THE CONTRACTOR IS TO RELOCATE FACTORY INSTALLED SUPPLY SMOKE DETECTOR FROM BLOWER SECTION TO DUCTWORK. SEE NOTES ON DWG M-101.

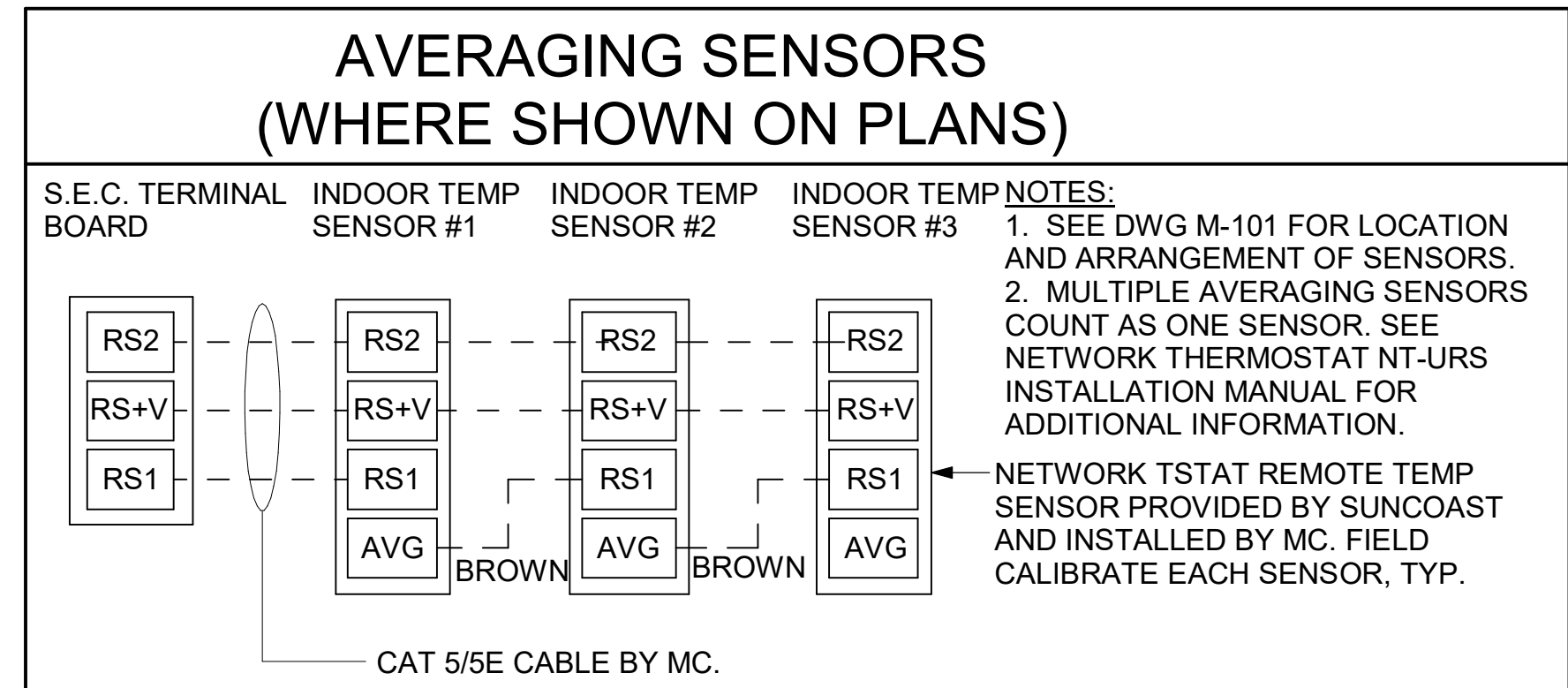
FIELD INSTALLED WIRING:
WITHIN THE ROOFTOP UNIT, WIRING SHALL BE ROUTED BY WAY OF FACTORY WIREWAYS ONLY. WIRING ROUTED OVER THE BLOWER HOUSING OR BY WAY OF OTHER ROUTES DETRIMENTAL TO THE WIRING LIFE WILL NOT BE ACCEPTED.



LABELING:
PROVIDE ENGRAVED LABEL WITH 1" HIGH WHITE LETTERS ON BLACK BACKGROUND IDENTIFYING UNIT SERVED.

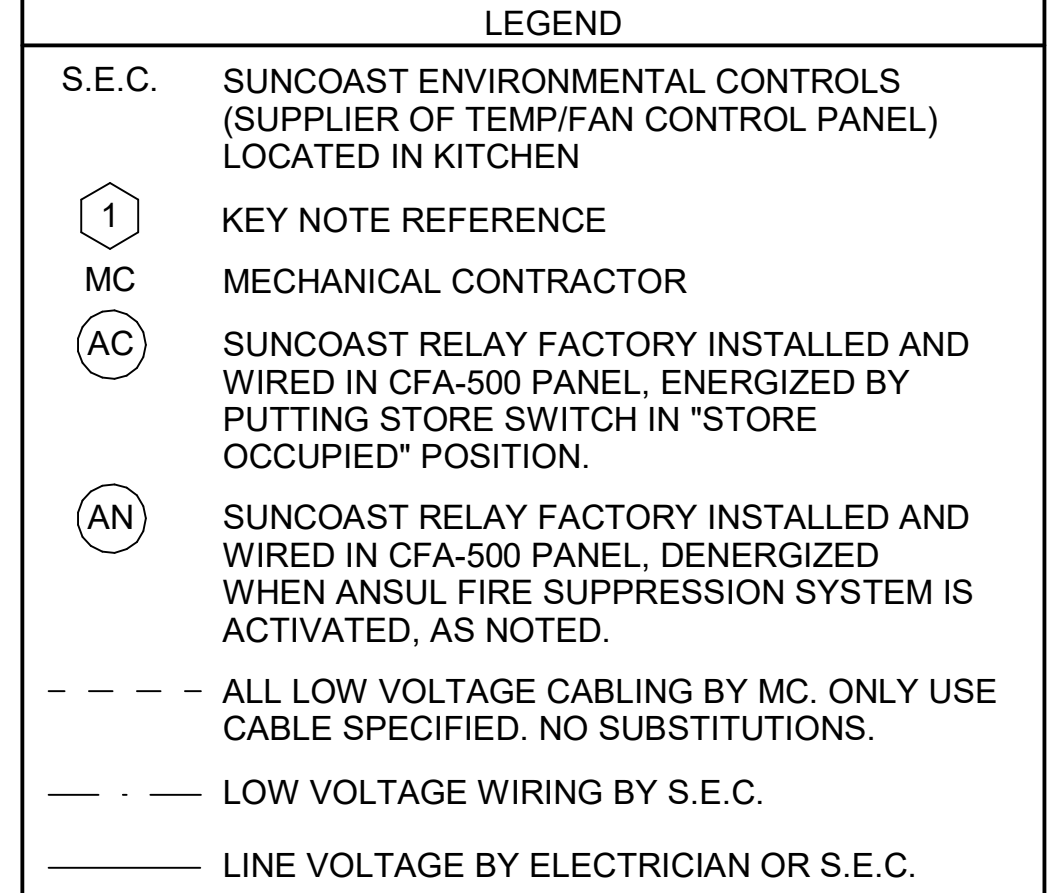


1 SMOKE DETECTOR AND ANNUNCIATOR WIRING DIAGRAM - LENNOX
NOT TO SCALE

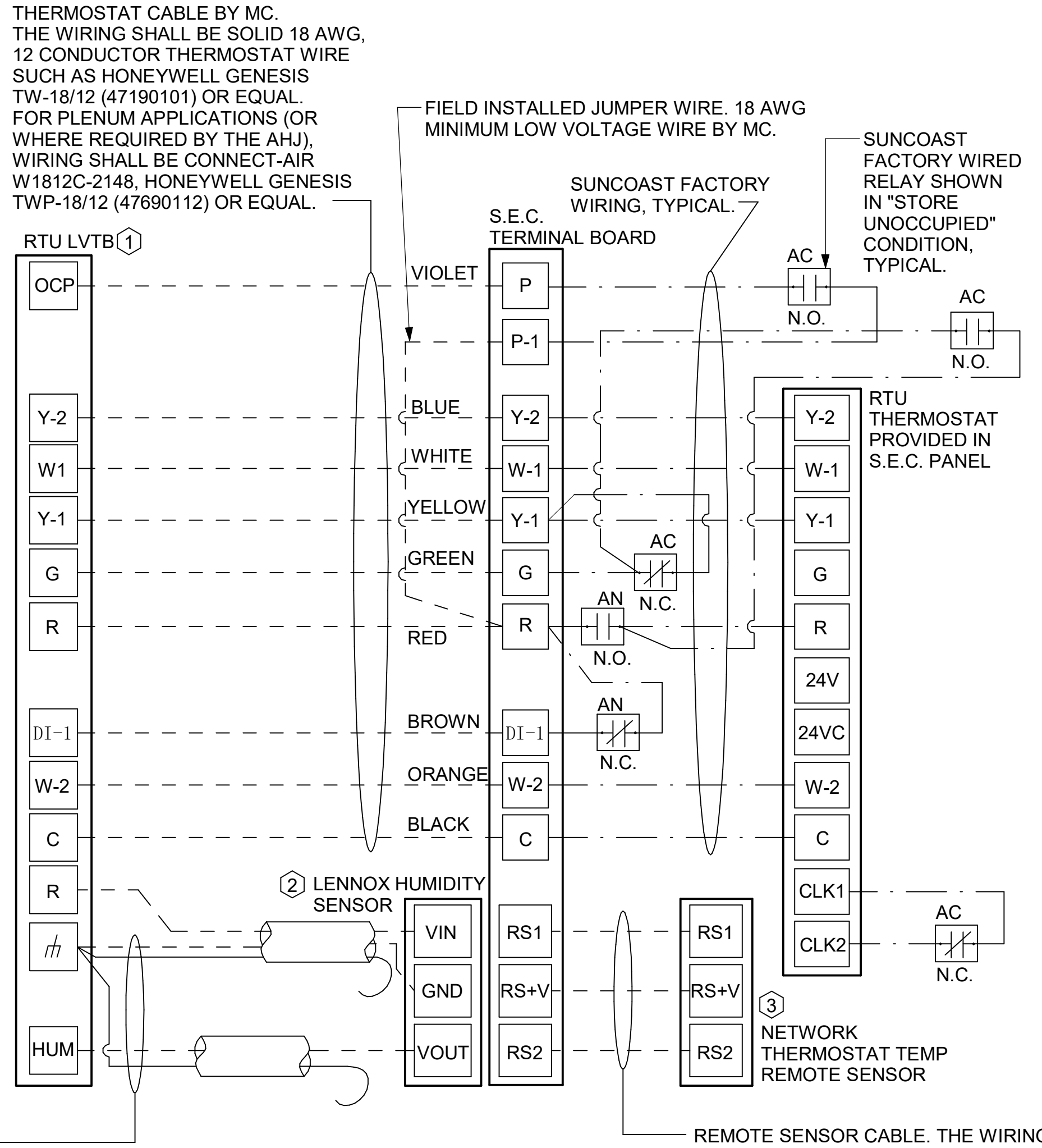


- NOTES:**
- MECHANICAL CONTRACTOR SHALL MAKE PLASTIC LAMINATE OF THIS DETAIL AND INSTALL PERMANENTLY ON INSIDE DOOR OF ROOFTOP UNIT CONTROL COMPARTMENT.
 - SEE DETAILS THIS SHEET FOR SMOKE DETECTOR AND ANNUNCIATOR WIRING.
 - SET ALL THERMOSTATS FOR AUTO CHANGEOVER.
 - PROVIDE PLASTIC ENGRAVED LABEL AT ALL NEW SENSORS WITH 1/4" HIGH WHITE LETTERING ON BLACK BACKGROUND, I.E. "AC#2 HUMIDITY SENSOR" OR "AC#2 TEMP SENSOR". PLACE LABELS ON WALL ADJACENT TO DEVICE. DO NOT APPLY DIRECTLY TO DEVICE.

- KEYED NOTES:**
- LOW VOLTAGE WIRING TO RTU TO BE ROUTED TO UNIT THRU FACTORY WIREWAY.
 - HUMIDITROL UNITS ONLY: WIRING TO HUMIDITY SENSOR TO BE MADE WITH TWO SEPARATE RUNS OF SHIELDED TWISTED PAIR. TERMINATE SHIELD WIRES AT TB-1. LEAVE OPEN AT SENSOR.
 - NETWORK TSTAT REMOTE TEMP SENSOR PROVIDED BY SUNCOAST AND INSTALLED BY MC. SENSOR IS INTENDED TO BE SURFACE MOUNTED AND DOES NOT REQUIRE A SINGLE GANG BOX OF CONDUIT. FIELD CALIBRATE EACH SENSOR.



USE TWO SEPARATE SHIELDED CABLES CONTAINING 18AWG MINIMUM, TWISTED PAIR CONDUCTORS WITH OVERALL SHIELD. BELDEN TYPE 8760 OR 88760 (PLENUM) OR EQUIVALENT. INSTALL PER LENNOX'S RELATIVE HUMIDITY SENSOR INSTALLATION INSTRUCTIONS.



- LENNOX PRODIGY 2.0 OR CORE UNIT CONTROLLER SETTINGS:**
- FOR ALL RTU'S EXCEPT AC#1, ELIMINATE THE MORNING WARMUP/OSA DAMPER DELAY. THE MENU PATH IS:
• MAIN MENU > SETTINGS > RTU OPTIONS > EDIT PARAMETERS
FOR GAS HEAT UNITS (LGT):
• CHANGE PARAMETER #65 SETTING TO 1
FOR ELECTRIC HEAT UNITS (LCT):
• CHANGE PARAMETER #58 TO 1
 - ON UNIT AC#1
• FOR GAS HEAT (LG) LEAVE AT 60-MINUTE DEFAULT
• FOR ELECTRIC HEAT (LC) CHANGE VALUE TO EQUAL 90-MINUTE
 - FOR HUMIDITROL UNITS THE MENU PATH IS:
• MAIN MENU > SETTINGS > RTU OPTIONS > DEHUMIDIFIER MODE > NO CONDITIONS
SELECT LOCAL SENSOR AND SAVE
• SET POINT: 60%
• DEHUMID DEADBAND: 2%
 - FOR ALL UNITS, SET BLOWER TO OPERATE AT ONE AIRFLOW FOR ALL MODES. MENU PATH IS:
• MAIN MENU > INSTALL > TEST AND BALANCE > BLOWER
• SET ALL HEATING AND COOLING CFM VALUES TO THE SAME VALUE AS SCHEDULED.
• ADJUST AIRFLOW BY MEANS OF ADJUSTABLE BLOWER MOTOR SHEAVE.

- LENNOX FRESH AIR HEATING SETUP WHEN SPECIFIED:**
- INSTALL FRESH AIR TEMPERING KIT WIRING HARNESS AS RECOMMENDED BY LENNOX.
 - LOCATE SUPPLY AIR TEMPERATURE SENSOR IN SUPPLY DUCT DOWNSTREAM OF FIRST ELBOW. SECURE WIRING TO DUCT OR STRUCTURE WITH RUBBER COATED CLAMPS. DO NOT RUN WIRING INSIDE DUCT WORK. PROTECT ALL WIRING PENETRATIONS WITH RUBBER GROMMETS.
 - FOR PRODIGY 2.0 OR CORE UNIT CONTROLLER WITHIN MAIN MENU GO TO SET-UP TO TEST AND BALANCE TO DAMPER. FOLLOW MENU PATH SET FRESH AIR HEATING ENABLE TO "YES" SET FAH SETPOINT TO 66F THIS WILL TEMPER SUPPLY AIR BELOW 66F WITH INTERMITTENT HEATING WHEN THERMOSTAT IS NOT ACTIVELY CALLING FOR HEAT.
 - CHANGE PRODIGY 2.0 OR CORE UNIT CONTROLLER PARAMETER #157. WITHIN MAIN MENU GO TO SETTINGS TO RTU OPTIONS TO EDIT PARAMETER VALUE TO 14 FOR A 14F FAH DEADBAND AND SAVE.
 - CHANGE PRODIGY 2.0 OR CORE UNIT CONTROLLER PARAMETER #158. WITHIN MAIN MENU GO TO SETTINGS TO RTU OPTIONS TO EDIT PARAMETER ADJUST VALUE TO 300 SECONDS FOR 5 MINUTE CYCLE TIME AND SAVE.

2 ROOFTOP UNIT CONTROL WIRING - LENNOX
NOT TO SCALE



Chick-fil-A
5200 Buffington Road
Atlanta, Georgia
30349-2998

Kurzynske & Associates
2705 Lebanon Pike - Suite One
Nashville, Tennessee 37214
Telephone: (615) 255-5203



CHICK-FIL-A
Horn Lake FSU
4323 Goodman Road West
Horn Lake, MS 38637

FSR#05540
BUILDING TYPE / SIZE: P14 LSR BN
RELEASE: 23.09
PRINTED FOR CONSTRUCTION
REVISION SCHEDULE

NO.	DATE	DESCRIPTION
1	02/09/2024	CFA Updates & Design Notes

CONSULTANT PROJECT # 24006.EH.S
DATE 01/10/2024
DRAWN BY BLM
Information contained on this drawing and in all digital files produced for above named project may not be reproduced in any manner without express written or verbal consent from authorized project representatives.
CONTROL WIRING DIAGRAMS - LENNOX
SHEET NUMBER

M-701



Chick-fil-A
 5200 Buffington Road
 Atlanta, Georgia
 30349-2998

Kurzynske & Associates
 2705 Lebanon Pike - Suite One
 Nashville, Tennessee 37214
 Telephone: (615) 255-5203



CHICK-FIL-A
 Horn Lake FSU
 4323 Goodman Road West
 Horn Lake, MS 38637

FSR#05540
 BUILDING TYPE / SIZE: P14 LSR BN
 RELEASE: 23.09
 PRINTED FOR: CONSTRUCTION
REVISION SCHEDULE

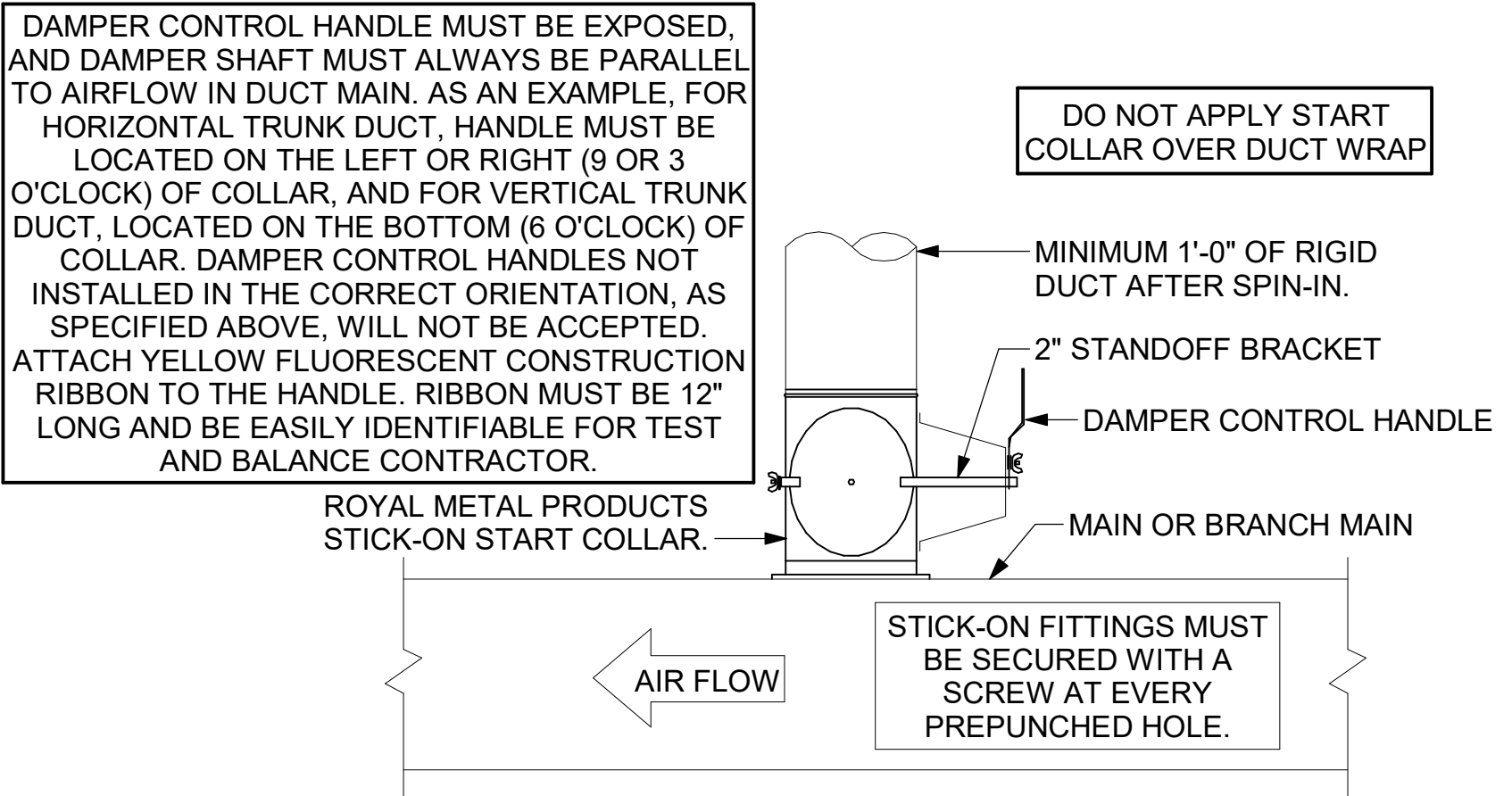
NO.	DATE	DESCRIPTION
1	02/09/2024	CFA Updates & Design Notes

CONSULTANT PROJECT # 24006.EH.S
 DATE 01/10/2024
 DRAWN BY BLM

Information contained on this drawing and in all digital files produced for above named project may not be reproduced in any manner without express written or verbal consent from authorized project representatives.
 SHEET
DETAILS

SHEET NUMBER
M-501

CHICK-FIL-A HAS A NATIONAL ACCOUNT WITH TOM BARROW COMPANY FOR THE ROYAL METAL PRODUCTS START COLLARS FOR BOTH WITH AND WITHOUT A MANUAL BALANCING DAMPER. THE MECHANICAL CONTRACTOR IS REQUIRED TO PURCHASE THE ROYAL METAL PRODUCTS START COLLARS DIRECTLY FROM TOM BARROW COMPANY. CONTACT MR. SCOTT GEORGE AT 404-351-1010 FOR PRICING AND AVAILABILITY. ROYAL METAL PRODUCTS START COLLARS NOT PURCHASED THRU TOM BARROW COMPANY WILL NOT BE ACCEPTED.

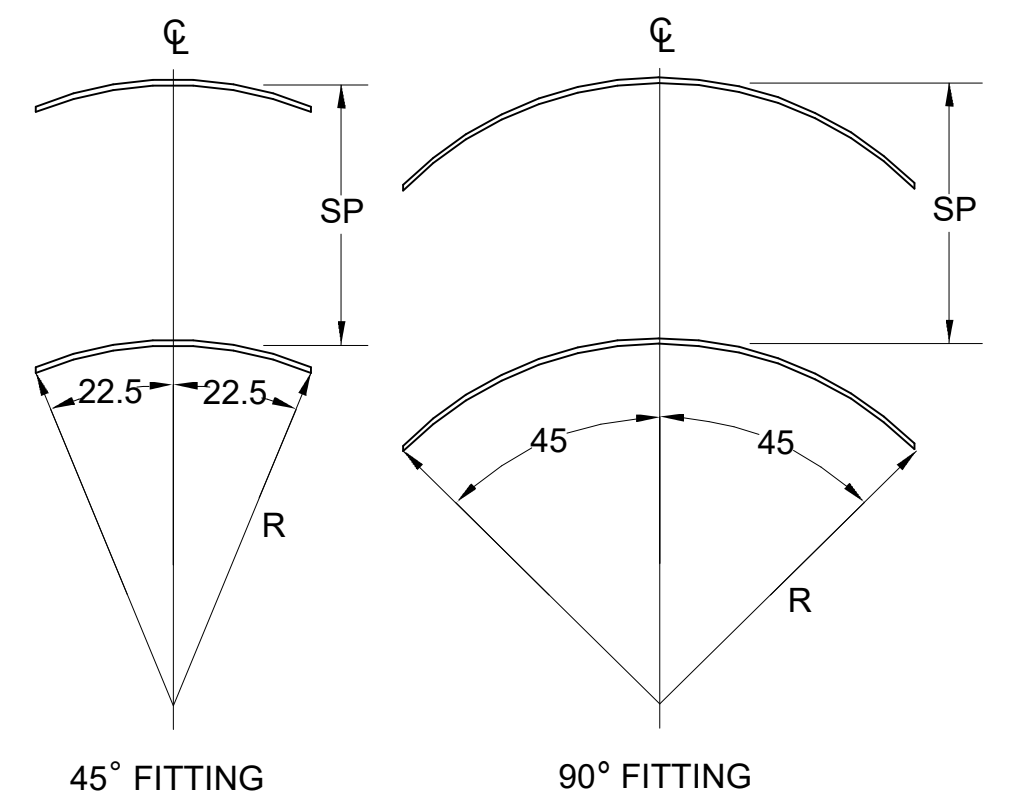


2 START COLLAR
 NOT TO SCALE

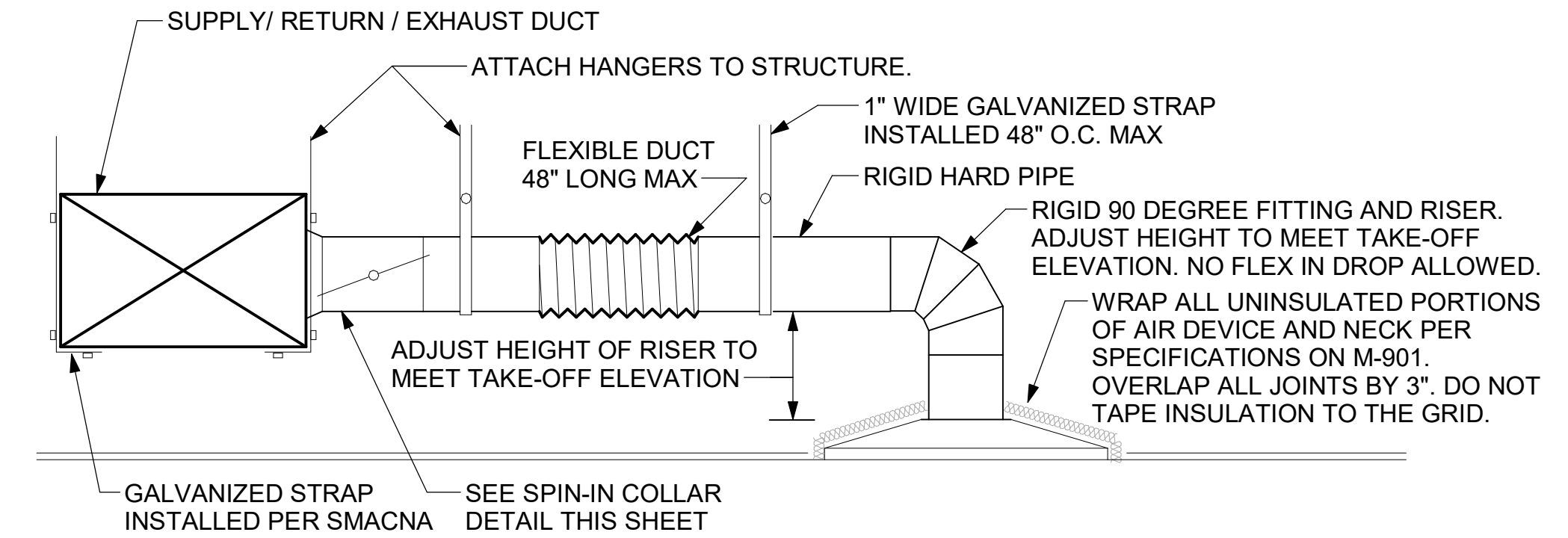
TURNING VANE SCHEDULE

R	SP	GA
2"	1.5"	24

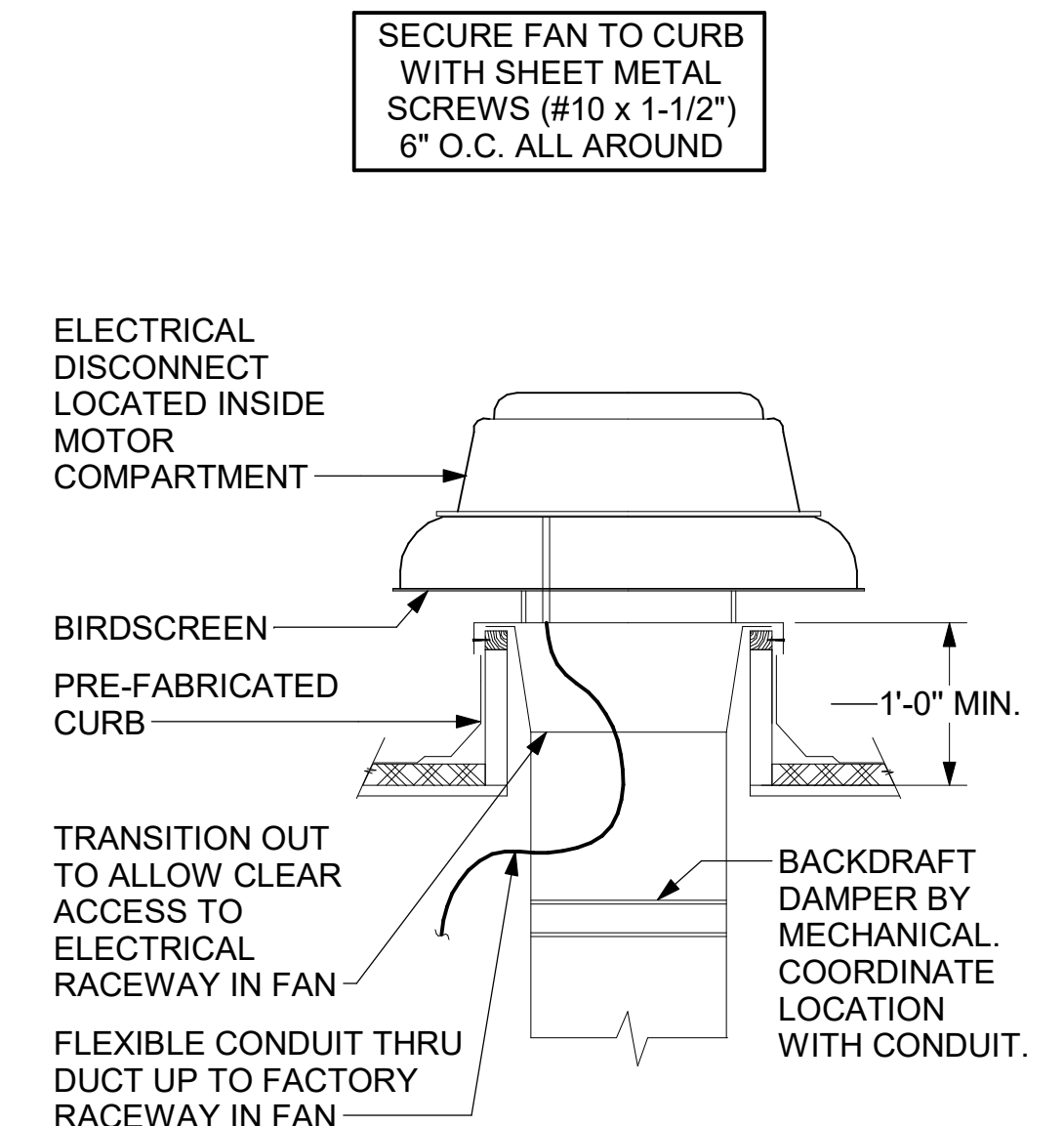
1. NO TRAILING EDGE.
 2. SINGLE THICKNESS CONSTRUCTION.



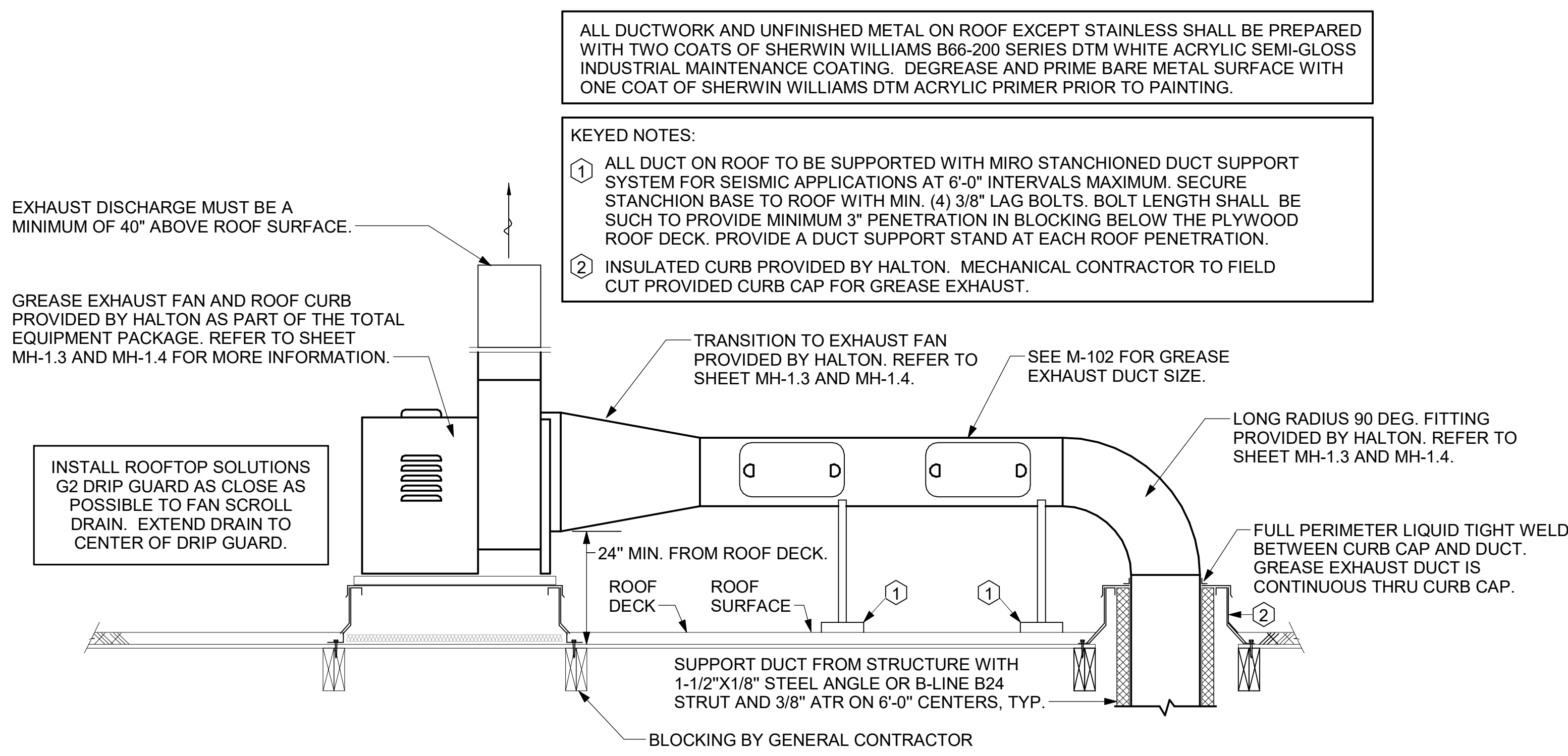
4 TURNING VANES
 NOT TO SCALE



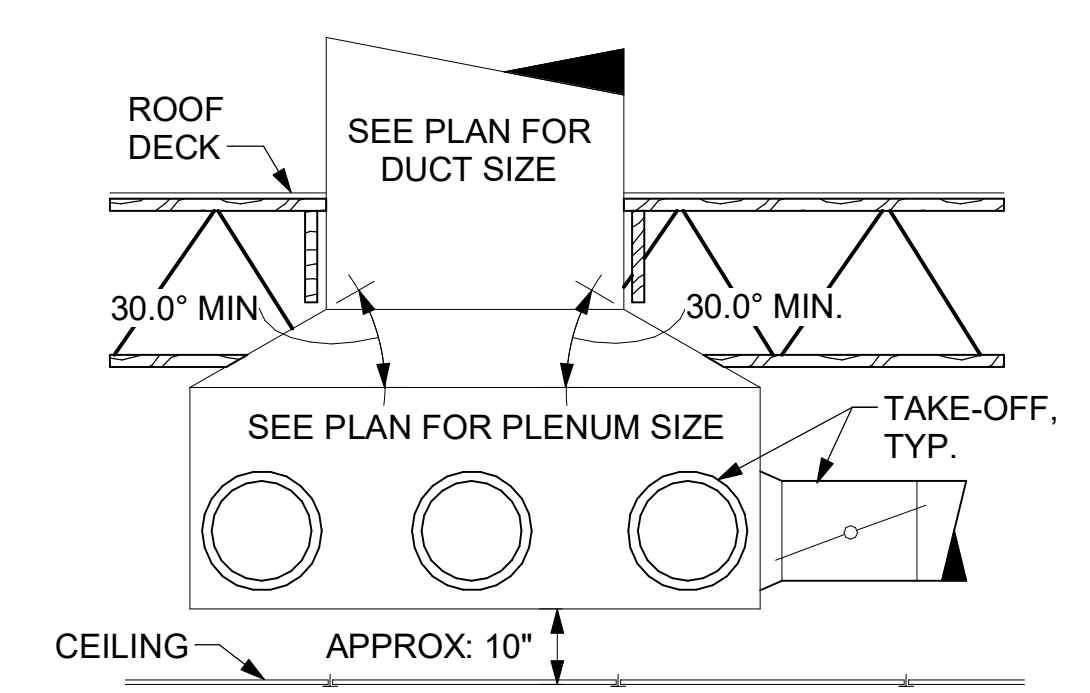
1 SAG/RAG/GRILLE TAKE-OFF
 NOT TO SCALE



3 RESTROOM EXHAUST FAN
 NOT TO SCALE



6 KITCHEN HOOD EXHAUST FANS
 NOT TO SCALE



5 RETURN DROP GEOMETRY
 NOT TO SCALE

Autodesk Docs: /MIS_05540_Horn Lake FSU_2023.10_FSR05540_Horn Lake FSU_K&A_MEC.rvt
 2/9/2024 9:29:37 AM
 30-LSR-05540-M-501-DETAILS

4 3 2 1

E

D

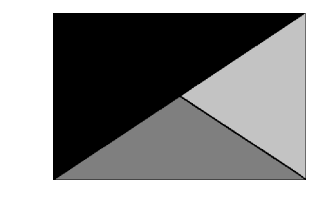
C

B

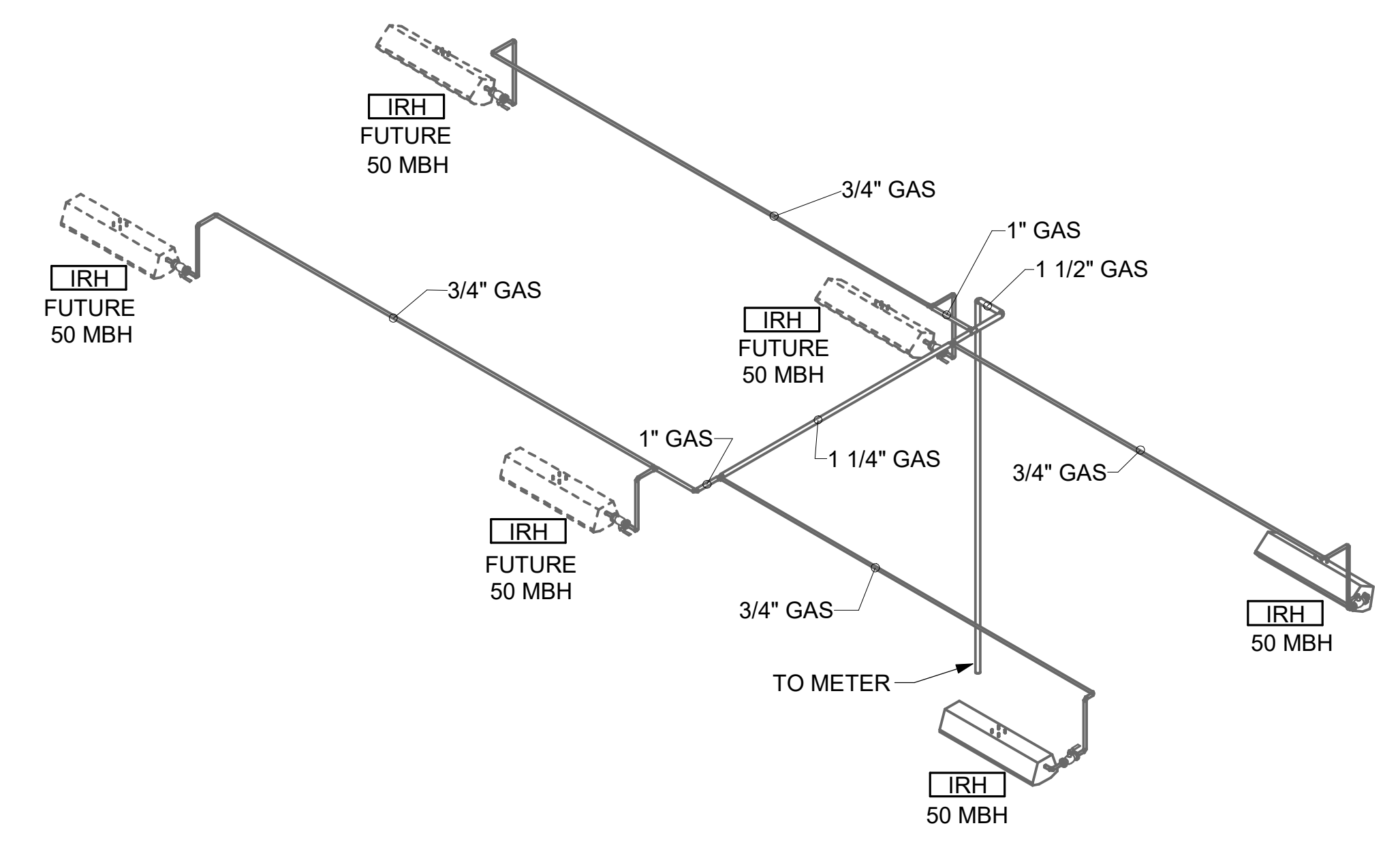
A



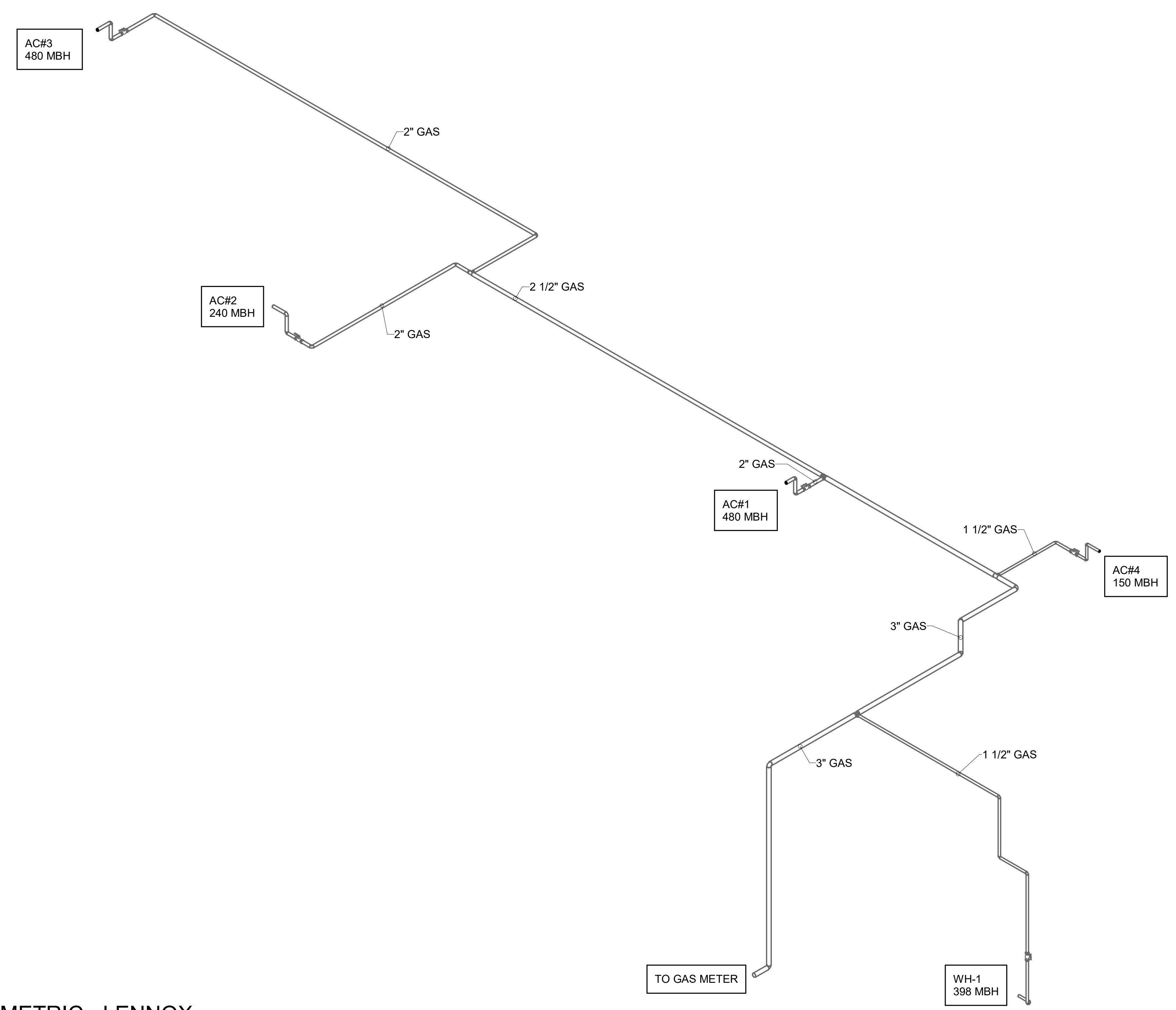
Chick-fil-A
5200 Buffington Road
Atlanta, Georgia
30349-2998



Kurzynske & Associates
2705 Lebanon Pike - Suite One
Nashville, Tennessee 37214
Telephone: (615) 255-5203



2 ORDER CANOPY PIPING ISOMETRIC - LENNOX



1 GAS PIPING ISOMETRIC - LENNOX

4 3 2 1

Autodesk Docs://MS_05540_Horn Lake FSU_2023.10_FSR05540_Horn Lake FSU_K&A_MEC.rvt
2/9/2024 9:29:54 AM
30-LSR-05540-M-901-GAS PIPING ISOMETRICS

CHICK-FIL-A
Horn Lake FSU
4323 Goodman Road West
Horn Lake, MS 38637

FSR#05540
BUILDING TYPE / SIZE: P14 LSR BN
RELEASE: 23.09
PRINTED FOR: CONSTRUCTION

REVISION SCHEDULE		
NO.	DATE	DESCRIPTION
1	02/09/2024	CF&A Updates & Design Notes

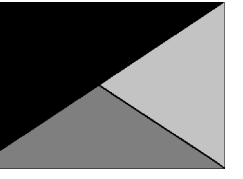
CONSULTANT PROJECT # 24006.EH.S
DATE 01/10/2024
DRAWN BY BLM

Information contained on this drawing and in all digital files produced for above named project may not be reproduced in any manner without express written or verbal consent from authorized project representatives.
SHEET
GAS PIPING ISOMETRICS

SHEET NUMBER
M-901



Chick-fil-A
5200 Buffington Road
Atlanta, Georgia
30349-2998



Kurzynske & Associates
2705 Lebanon Pike - Suite One
Nashville, Tennessee 37214
Telephone: (615) 255-5203



CHICK-FIL-A
Horn Lake FSU

4323 Goodman Road West
Horn Lake, MS 38637

FSR#05540

BUILDING TYPE / SIZE: P14 LSR BN
RELEASE: 23.09
PRINTED FOR

CONSTRUCTION

REVISION SCHEDULE

NO.	DATE	DESCRIPTION
1	02/09/2024	CFA Updates & Design Notes

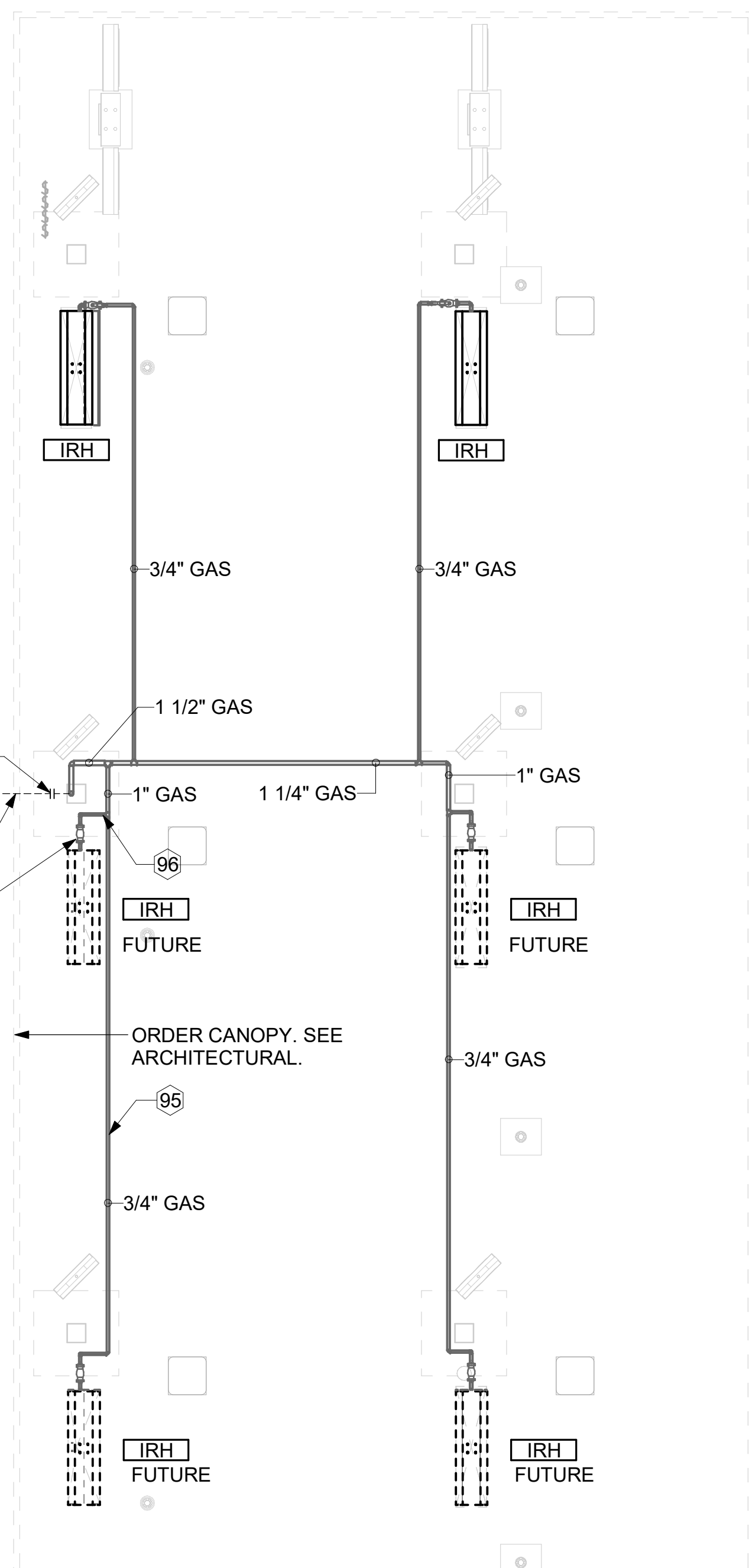
CONSULTANT PROJECT # 24006.EH.S
DATE 01/10/2024
DRAWN BY BLM

Information contained on this drawing and in all digital files produced for above named project may not be reproduced in any manner without express written or verbal consent from authorized project representatives.

SHEET CANOPY HVAC PLAN

SHEET NUMBER

M-103



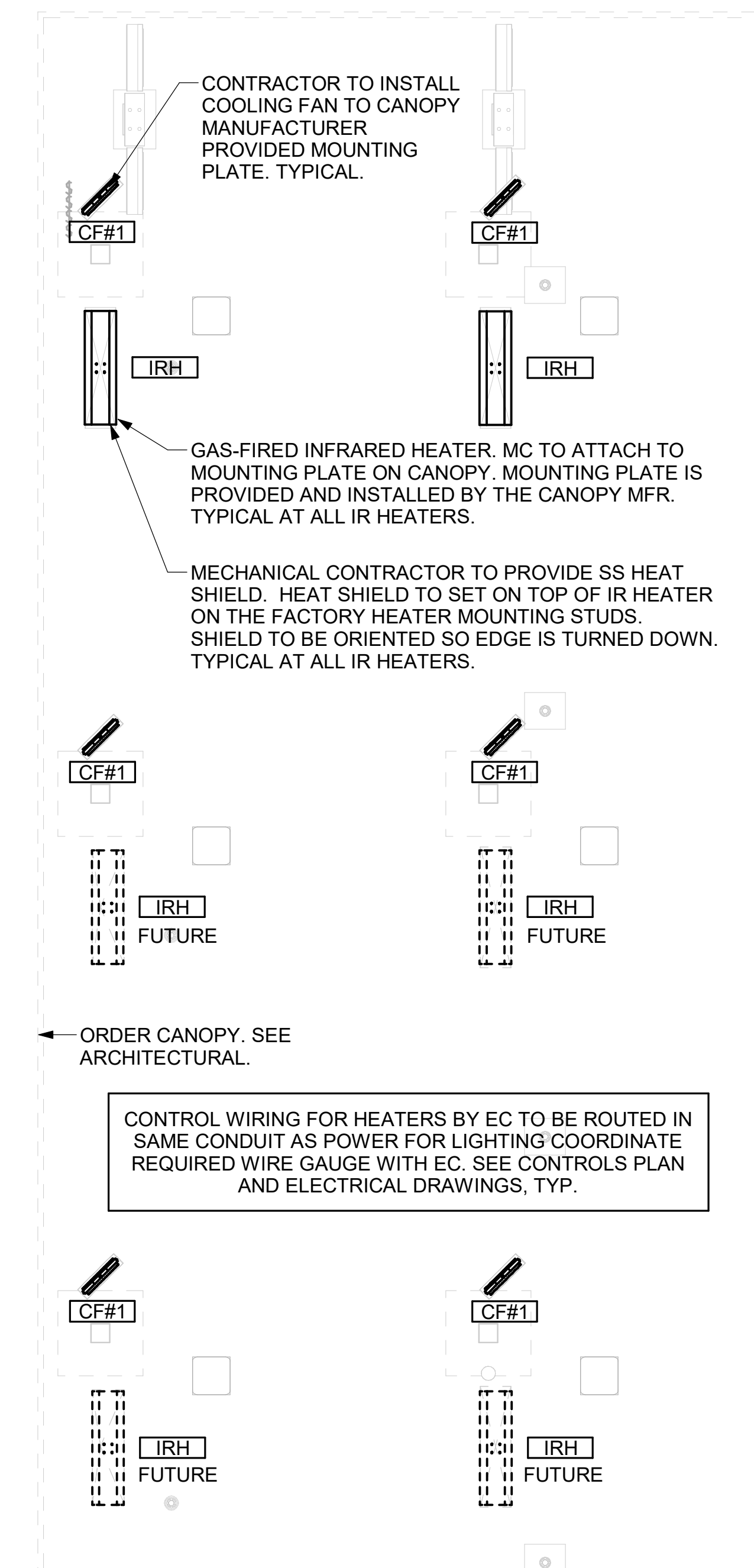
2 MECHANICAL FLOOR PLAN - ORDER CANOPY
1/4" = 1'-0"

CANOPY GENERAL NOTES

- COORDINATE WORK WITH CONDUIT, STRUCTURE, AND PIPING. FIELD VERIFY CONDITIONS PRIOR TO START OF WORK.
- COORDINATE LOCATION AND RESPONSIBILITIES FOR UNDERGROUND PIPING AND ASSOCIATED TRENCHING WITH GENERAL CONTRACTOR PRIOR TO START OF WORK.
- EXPOSED GAS PIPING SHALL BE COVERED WITH A RUST INHIBITING PAINT SUCH AS RUST-OLEUM 5200. PAINT COLOR SHALL MATCH STRUCTURE. ROOF MOUNTED GAS PIPING COLOR SHALL BE YELLOW.
- CONTROL WIRING FOR HEATERS BY EC. COORDINATE REQUIRED WIRE GAUGE WITH EC. SEE CONTROLS PLAN AND ELECTRICAL DRAWINGS, (TYP.).

KEY NOTES

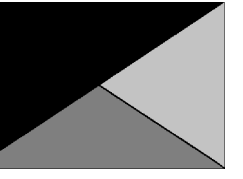
- GAS PIPING TO BE ROUTED ABOVE CANOPY, ON TOP OF STRUCTURAL MEMBERS, EXCEPT WHERE ROUTED DOWN THROUGH PENETRATIONS AS INDICATED.
- GAS PIPING DOWN THROUGH DECK. WEATHERPROOF DECK PENETRATION PER DETAIL 6/M-502. TYPICAL.
- SEE DETAIL 1/M-502 FOR PIPING AT IRH. TYPICAL.
- GAS TRANSITION FITTING TO GAS PIPE STUB-OUT. GAS PIPING INSIDE COLUMN AND STUB-OUTS BY CANOPY MFR. JOIN UNDERGROUND POLYETHYLENE GAS PIPING TO TRANSITION FITTING WITH ELSTER PERMASERT COUPLING. CANOPY MFR'S EXPOSED STEEL PIPING BELOW GRADE SHALL BE PROTECTED WITH TWO COATS ASPHALT TUM BASE PAINT AND POLY SLEEVE.
- 1-1/2" GAS B/G TO METER SEE 1/M-102.



1 MECHANICAL FLOOR PLAN - ORDER CANOPY
1/4" = 1'-0"



Chick-fil-A
5200 Buffington Road
Atlanta, Georgia
30349-2998



Kurzynske & Associates
2705 Lebanon Pike - Suite One
Nashville, Tennessee 37214
Telephone: (615) 255-5203



CHICK-FIL-A
Horn Lake FSU

4323 Goodman Road West
Horn Lake, MS 38637

FSR#05540

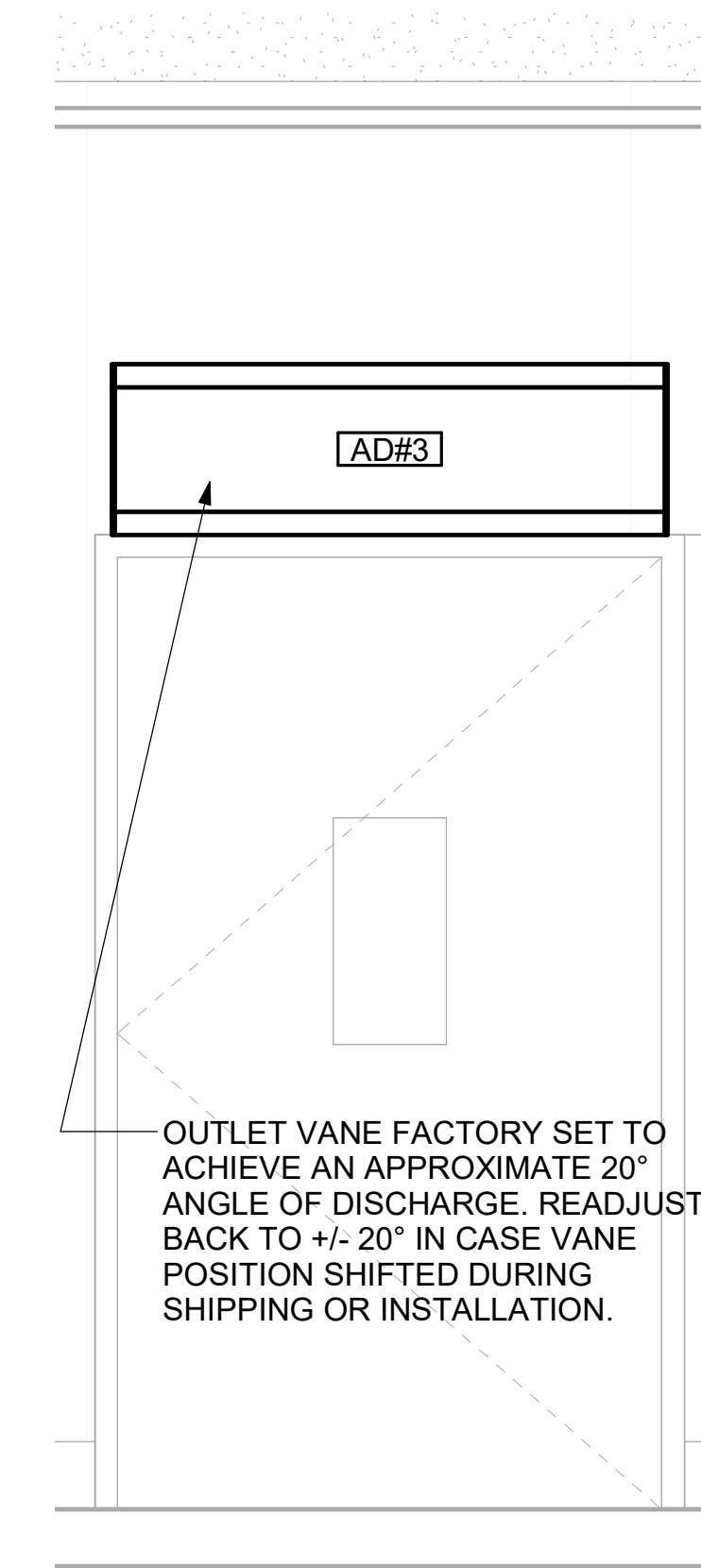
BUILDING TYPE / SIZE: P14 LSR BN
RELEASE: 23.09
PRINTED FOR: CONSTRUCTION

NO.	DATE	DESCRIPTION
1	02/09/2024	CFA Updates & Design Notes

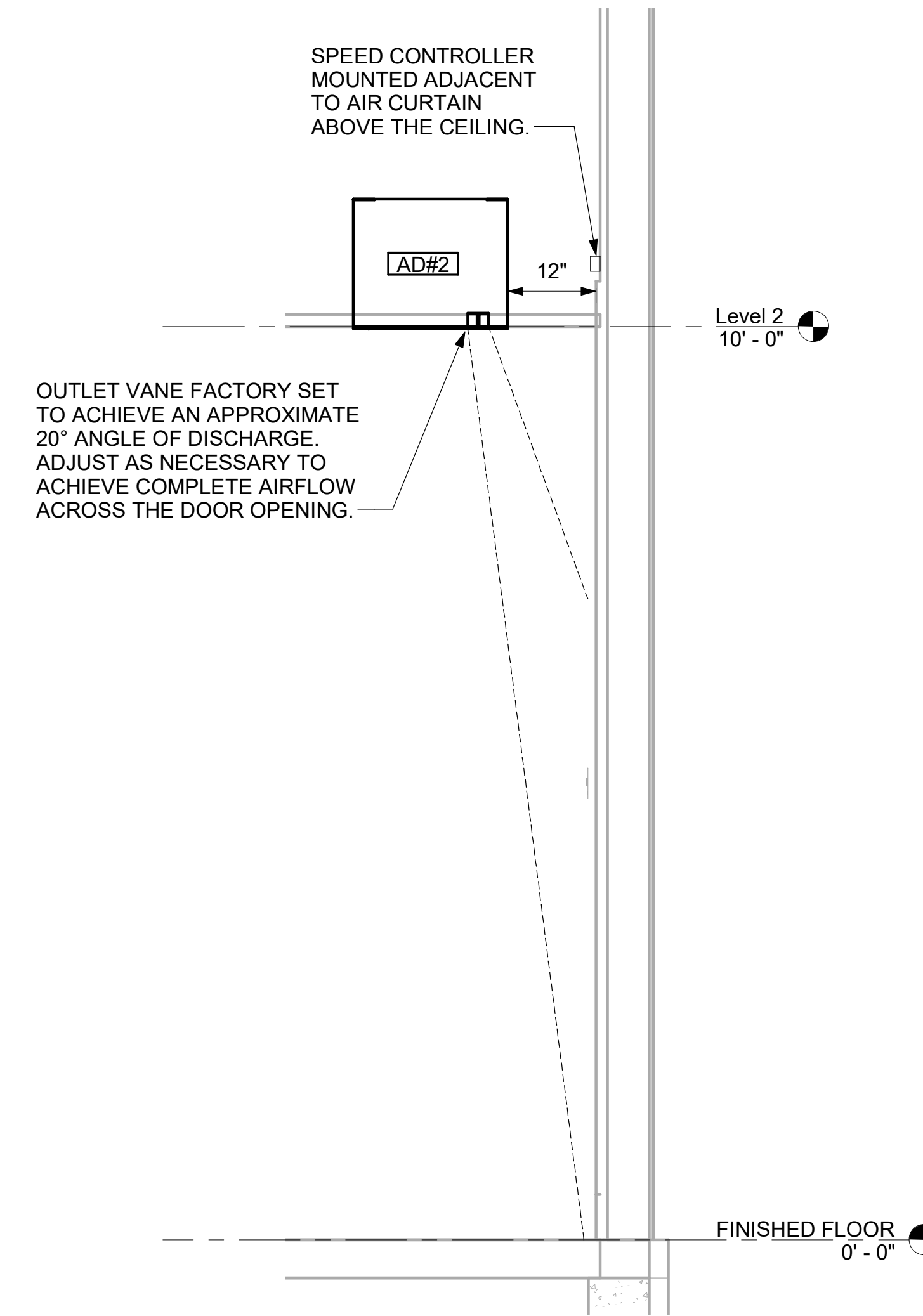
CONSULTANT PROJECT # 24006.EH.S
DATE 01/10/2024
DRAWN BY BLM

Information contained on this drawing and in all digital files produced for above named project may not be reproduced in any manner without express written or verbal consent from authorized project representatives.
SHEET SECTIONS

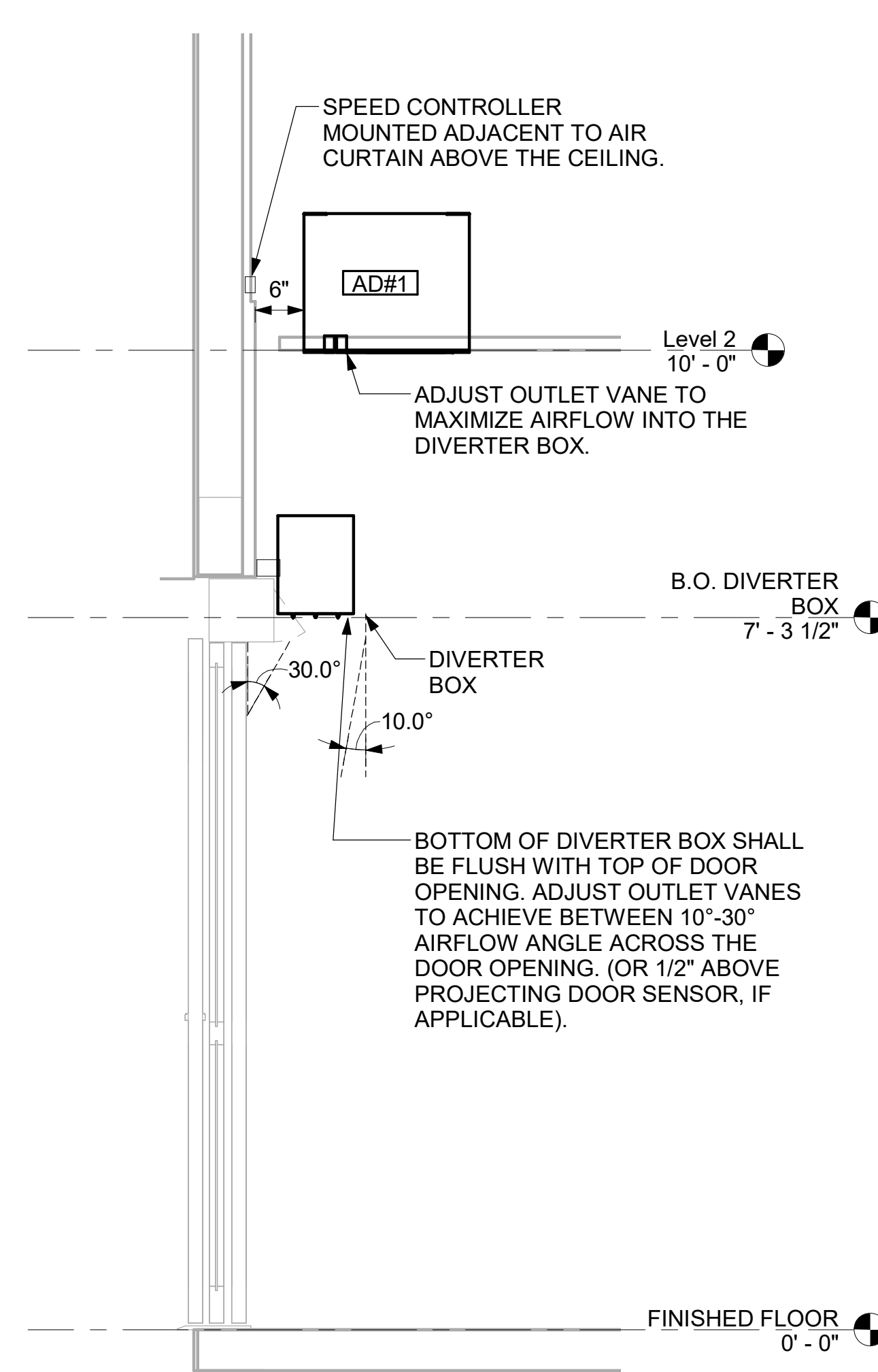
SHEET NUMBER
M-301



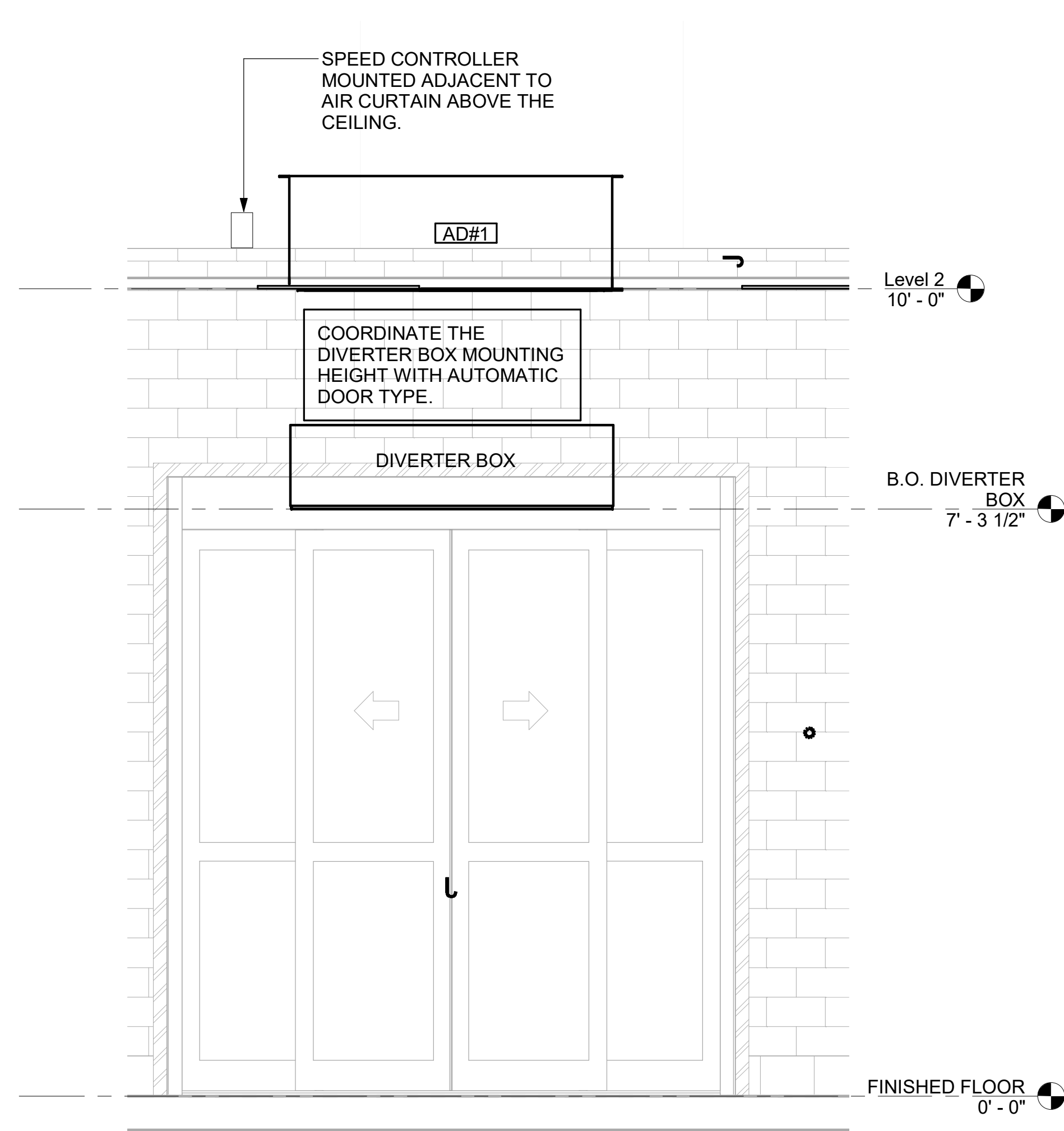
5 AD#3 FRONT VIEW
3/4" = 1'-0"



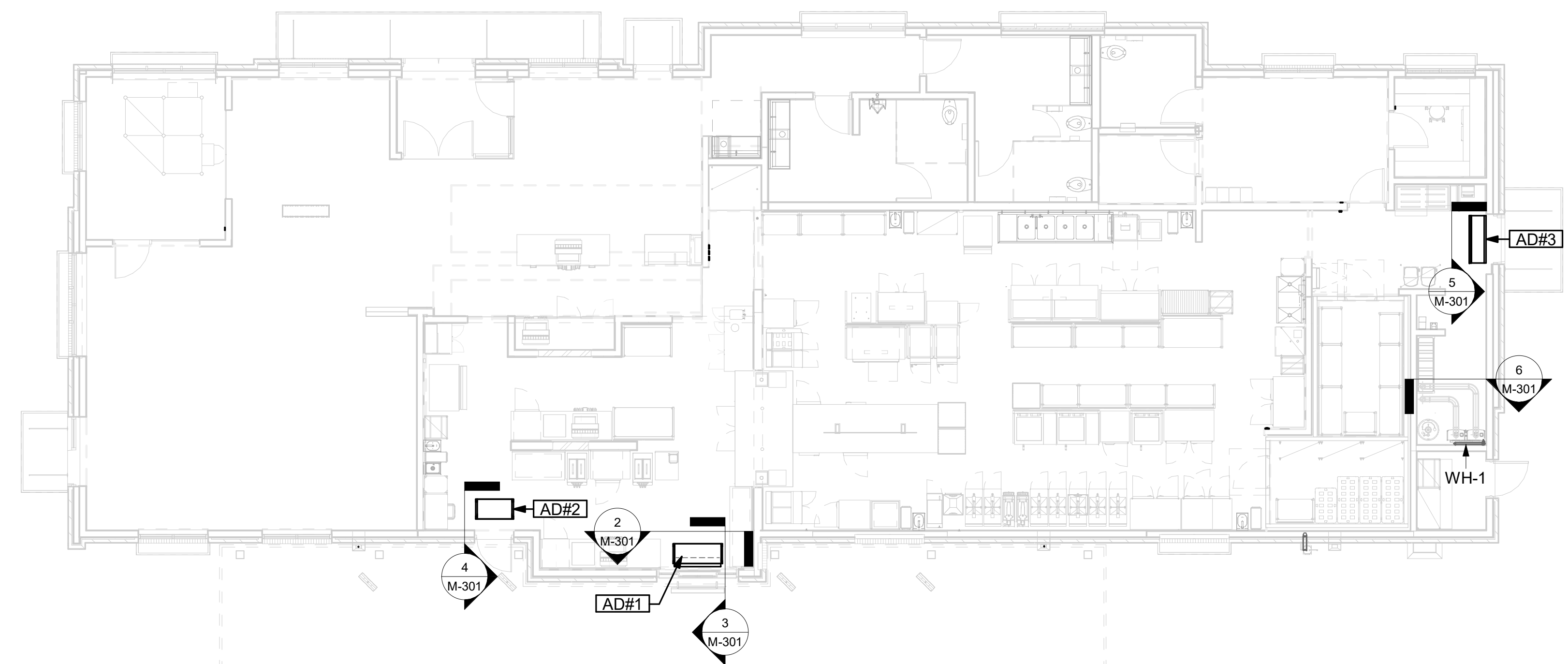
4 AD#2 SIDE VIEW
3/4" = 1'-0"



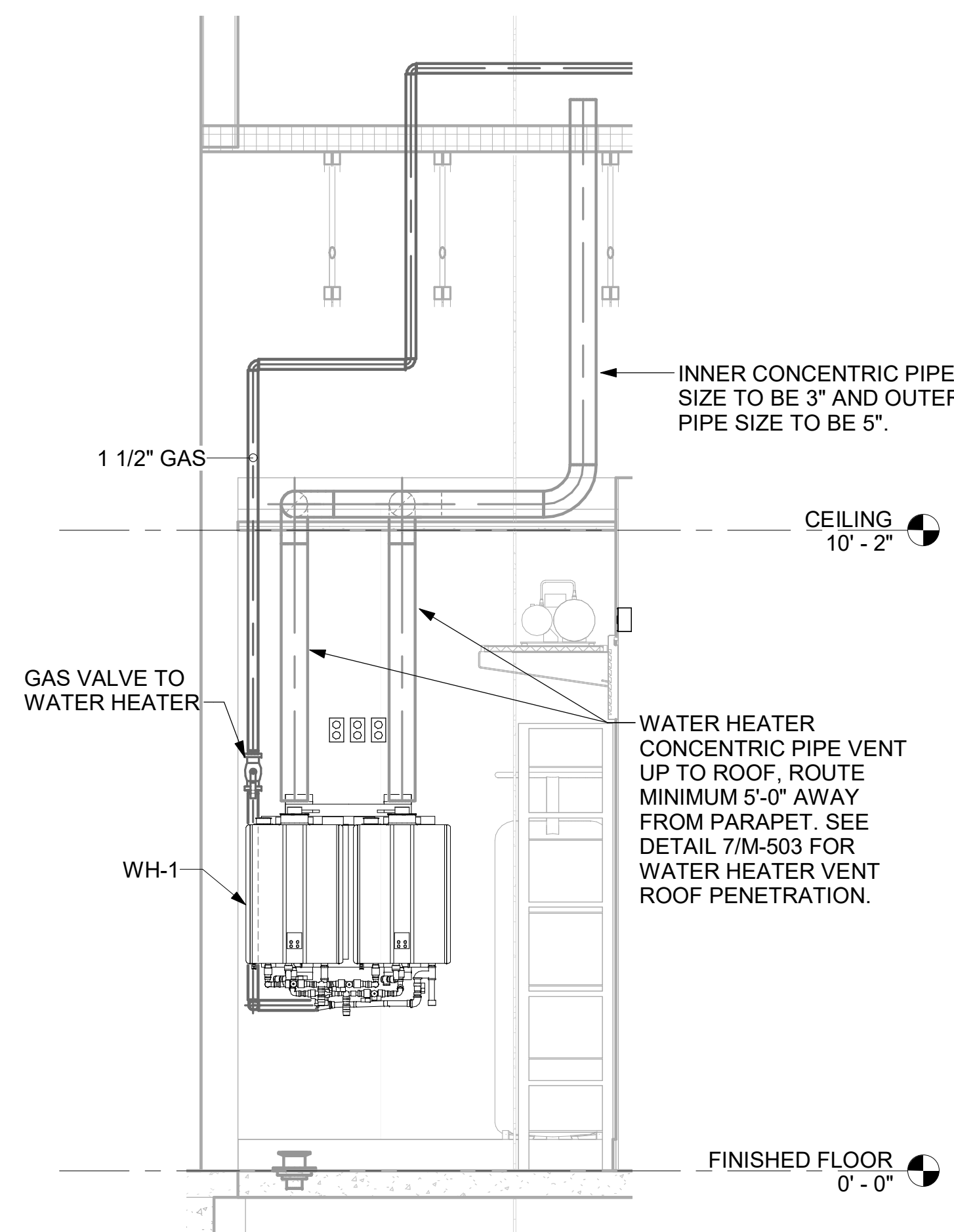
3 AD#1 SIDE VIEW
3/4" = 1'-0"



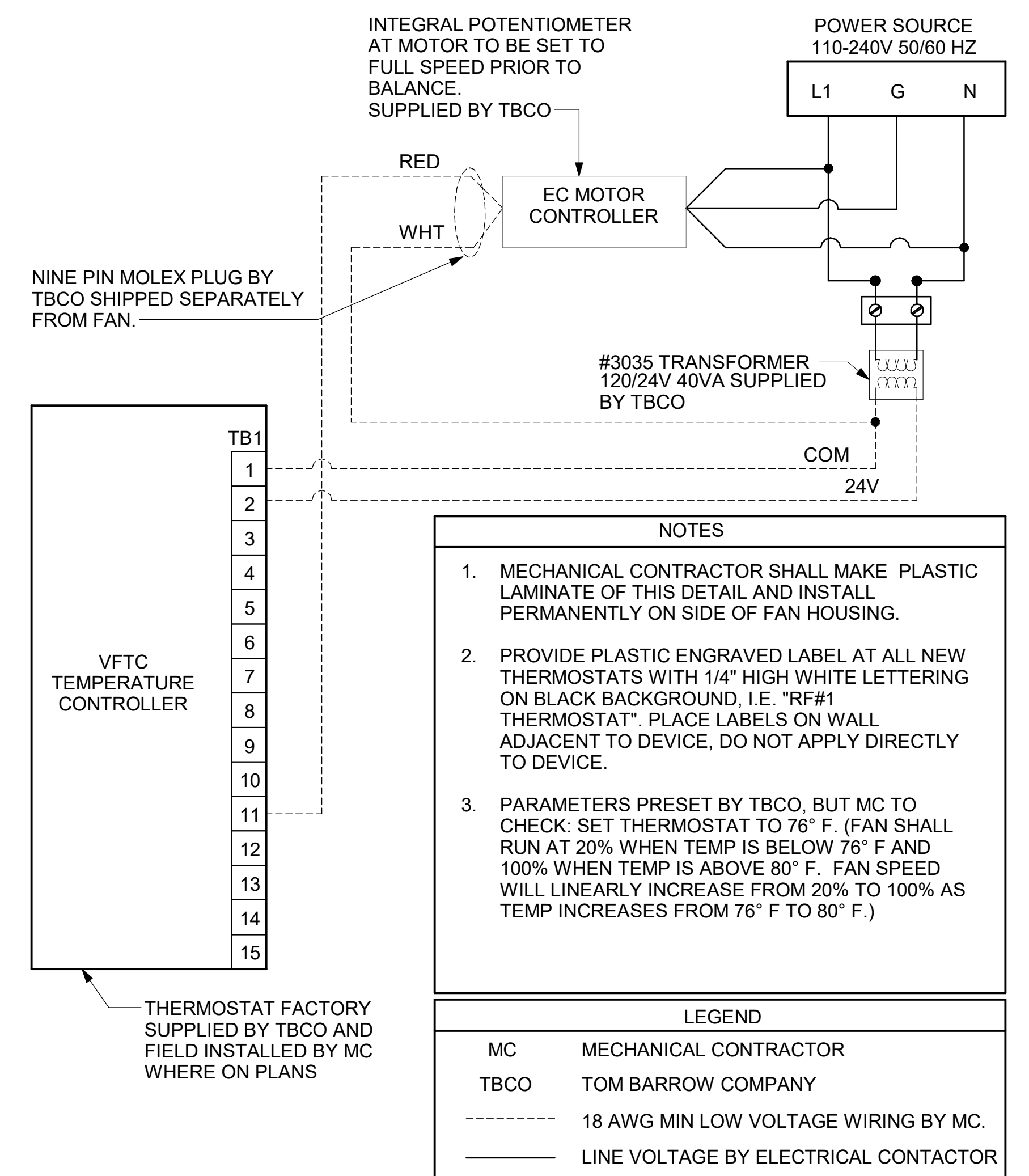
2 AD#1 FRONT VIEW
3/4" = 1'-0"



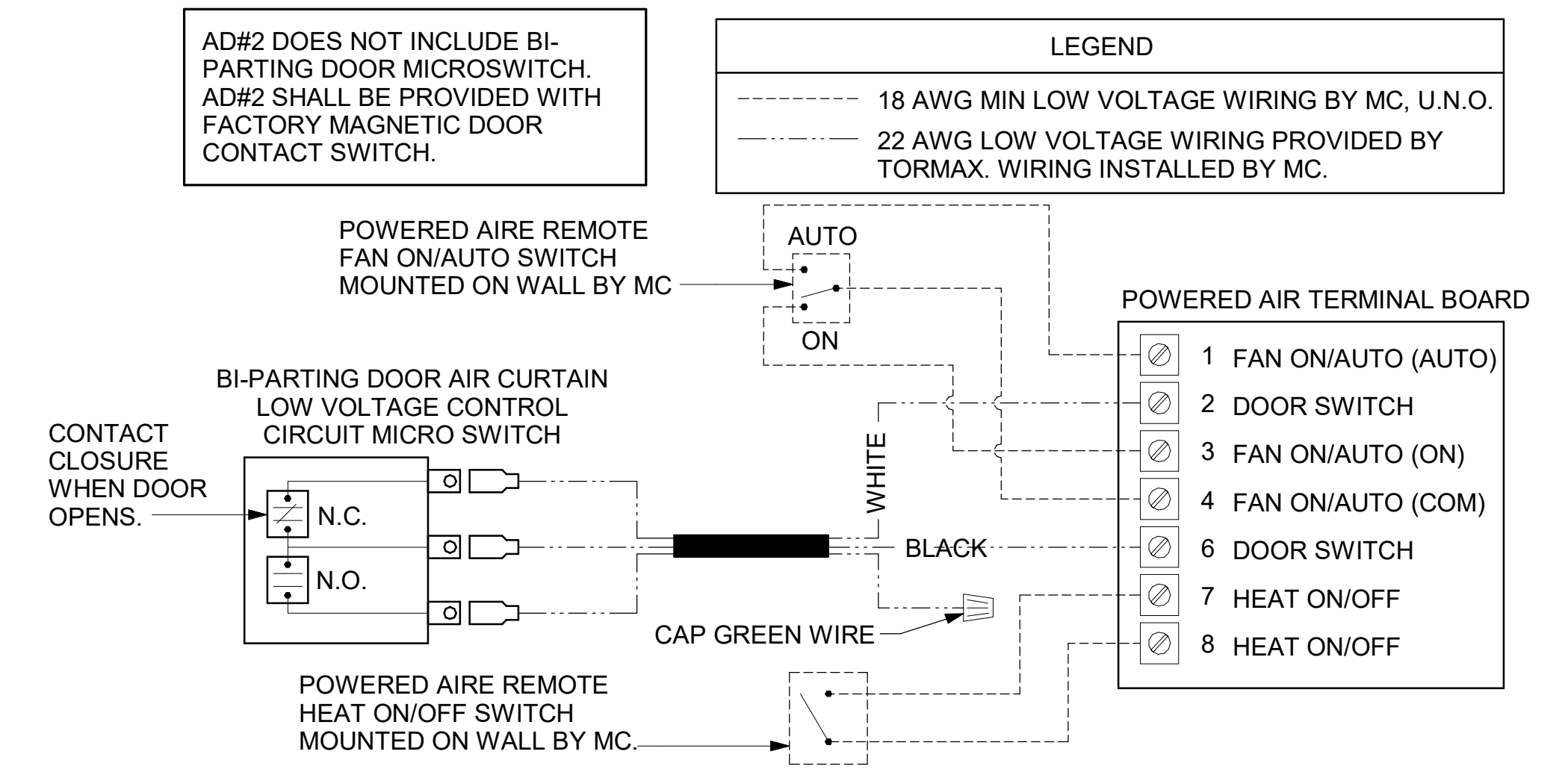
1 VARIOUS SECTIONS
1/8" = 1'-0"



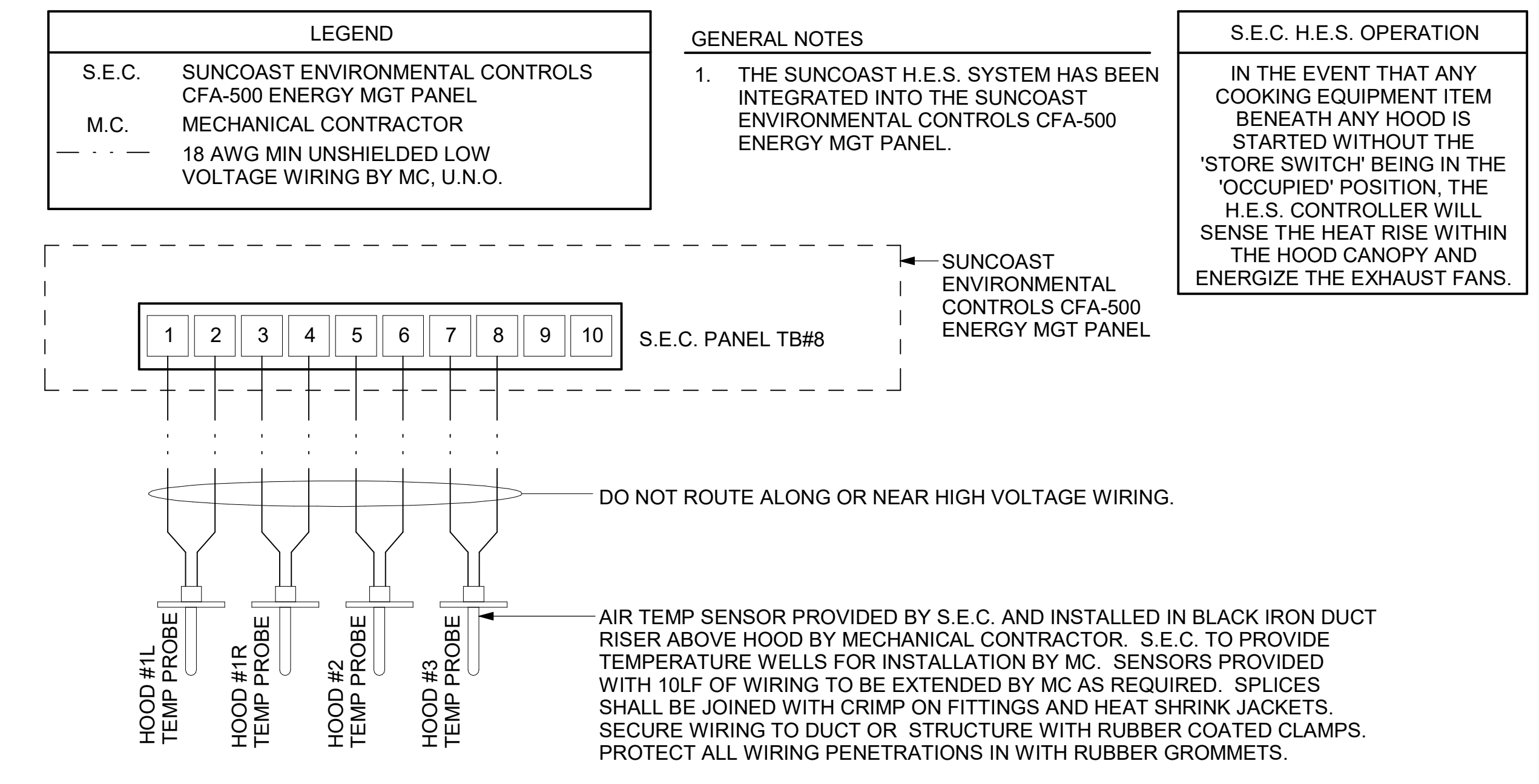
6 WATER HEATER GAS PIPING AND VENTING
NOT TO SCALE



1 TECH CLOSET CONTROL DIAGRAM
NOT TO SCALE



2 AIR CURTAIN WIRING DIAGRAM
NOT TO SCALE



3 HOOD FAN/EQUIPMENT INTERLOCK - 3 Hood (4 Collars) - CFA500 Integrated
1/4" = 1'-0"



Chick-fil-A
5200 Buffington Road
Atlanta, Georgia
30349-2998

Kurzynske & Associates
2705 Lebanon Pike - Suite One
Nashville, Tennessee 37214
Telephone: (615) 255-5203



CHICK-FIL-A
Horn Lake FSU
4323 Goodman Road West
Horn Lake, MS 38637

FSR#05540
BUILDING TYPE / SIZE: P14 LSR BN
RELEASE: 23.09
PRINTED FOR: CONSTRUCTION
REVISION SCHEDULE

NO.	DATE	DESCRIPTION
1	02/09/2024	CFA Updates & Design Notes

CONSULTANT PROJECT # 24006.EH.S
DATE 01/10/2024
DRAWN BY BLM
Information contained on this drawing and in all digital files produced for above named project may not be reproduced in any manner without express written or verbal consent from authorized project representatives.
SHEET CONTROL WIRING DIAGRAMS
SHEET NUMBER

M-702