

DIVISION 15 SPECIFICATIONS

PART I - GENERAL

1.01 SCOPE

- A. IT IS THE RESPONSIBILITY OF CONTRACTOR TO READ ALL SPECIFICATIONS AND CONSULT ALL DRAWINGS WHICH MAY AFFECT THE INSTALLATION AND COORDINATION OF WORK WITH OTHER TRADES. CONTRACTOR SHALL COORDINATE AND MAKE MINOR ADJUSTMENTS IN LOCATION OF EQUIPMENT AND MATERIALS AS NECESSARY FOR COORDINATION.
- B. COMPLETED INSTALLATION SHALL CONFORM TO ALL APPLICABLE FEDERAL, STATE AND LOCAL CODES AND ORDINANCES.
- C. SYSTEM LAYOUT IS SCHEMATIC AND EXACT LOCATIONS SHALL BE DETERMINED BY STRUCTURAL CONDITIONS, COORDINATION WITH OTHER TRADES, COORDINATION WITH FINISHES AND OTHER CONDITIONS. STRUCTURAL SUPPORTS SHALL NOT BE CUT OR ALTERED TO ASSURE FIT OF HVAC SYSTEM. TEN FOOT CLEARANCE SHALL BE MAINTAINED BETWEEN OUTSIDE AIR INTAKES AND EXHAUST FANS AND PLUMBING VENT TERMINALS.
- D. CONTRACTOR SHALL BE RESPONSIBLE FOR ALL DEFECTS, REPAIRS AND REPLACEMENTS IN MATERIALS AND WORKMANSHIP FOR A PERIOD OF ONE (1) YEAR AFTER FINAL PAYMENT IS APPROVED. CONTRACTOR SHALL HONOR FACTORY WARRANTIES ON ALL EQUIPMENT PROVIDED AS PART OF THIS SYSTEM.
- E. UPON COMPLETION OF PROJECT, ALL SYSTEM EQUIPMENT AND MATERIALS SHALL BE IN NEW, CLEAN CONDITION WITH ALL DAMAGE RESTORED TO CONDITION ACCEPTABLE TO THE OWNERS REPRESENTATIVE. ALL EQUIPMENT, COMPONENTS, DUCTWORK AND AIR DEVICES SHALL BE INSPECTED AND THOROUGHLY CLEANED, CLEARED OF DEBRIS, AND READY FOR USE. AT COMPLETION OF JOB, ALL MISCELLANEOUS TOOLS, SCAFFOLDING, SURPLUS MATERIALS, RUBBISH AND DEBRIS SHALL BE REMOVED BY CONTRACTOR.
- F. CONTRACTOR SHALL PROVIDE TWO SETS OF 2" MERV 8 OR HIGHER THROW AWAY TYPE FILTERS. A CLEAN SET SHALL BE PROVIDED PRIOR TO TEST AND BALANCE AND AGAIN PRIOR TO OPENING.

PART II - PRODUCTS

2.01 HEATING AND COOLING EQUIPMENT

- A. FURNISH AND INSTALL R-410A ROOFTOP SINGLE PACKAGE COMBINATION ELECTRIC COOLING AND NATURAL GAS FIRED HEATING UNITS AS SHOWN ON DRAWINGS. EQUIPMENT SHALL BE ARI CERTIFIED AND A.G.A. AND U.L. LISTED.
- B. ACCESSORIES SHALL INCLUDE LOW AND HIGH PRESSURE SAFETIES, CRANK CASE HEATER, OVERCURRENT AND OVERTEMPERATURE SAFETY, COMPRESSOR VIBRATION ISOLATORS, FILTER DRIERS, REFRIGERANT SERVICE VALVES, COIL HAIL GUARDS WHERE SCHEDULED, CONVENIENCE OUTLETS FACTORY INSTALLED ON SCHEDULED UNITS, UNIT MOUNTED NON-FUSED DISCONNECTS, LOW AMBIENT OPERATION DOWN TO 30 DEGREES F AND EVAPORATOR FREEZE STAT.
- C. COMPRESSORS SHALL BE HERMETIC SCROLL TYPE WITH INTERNAL VIBRATION ISOLATORS. COMPRESSORS SHALL BE PROVIDED WITH A MINIMUM FIVE (5) YEAR FULL WARRANTY.
- D. THE UNIT HEAT EXCHANGERS SHALL BE ALUMINIZED STEEL COATING. HEATING CONTROLS SHALL CONSIST OF REDUNDANT GAS VALVES, INTERMITTENT PILOT WITH ELECTRONIC SPARK OR HOT PLATE IGNITION SYSTEM, COMBUSTION/EXHAUST FAN PROTECTED BY CENTRIFUGAL SWITCHES, HEAT LIMIT SWITCHES, TIME-DELAY RELAY, FLAME, AND PILOT SENSORS. HEAT EXCHANGERS SHALL HAVE A TEN (10) YEAR WARRANTY. BURNERS SHALL BE IN-SHOT TYPE. THE DRAFT MOTOR SHALL BE MONITORED BY THE CONTROL SYSTEM.

2.02 DUCTWORK (C15735)

- A. ACCEPTABLE MANUFACTURERS OF INSULATION SHALL BE: JOHNS MANVILLE, OWENS CORNING OR KNAUF.
- B. ALL DUCTWORK SHALL BE SHEET METAL, UNLESS NOTED OTHERWISE (U.N.O.).
- C. DUCT DIMENSIONS SHOWN ARE INSIDE CLEAR DIMENSIONS, U.N.O.
- D. CONSTRUCTION OF DUCTWORK SHALL MEET SMACNA 1" W.C. PRESSURE CLASS STANDARD AND RECOMMENDATIONS. SMACNA SHALL BE FOLLOWED WITH RESPECT TO GAGE THICKNESS, JOINTS, REINFORCING, CONSTRUCTION, INSTALLATION AND SUPPORT FOR PRESSURE CLASS STATED. ALL TRANSVERSE JOINTS IN RECTANGULAR AND ROUND DUCT INCLUDING DUCT CONNECTION TO AIR DEVICE COLLAR SHALL BE SEALED PER SMACNA SEAL CLASS C WITH U.L. DUCT MASTIC SEALANT APPROVED FOR INTENDED USE. DUCT TAPE IS NOT AN ACCEPTABLE SUBSTITUTE FOR MASTIC UNLESS EQUAL TO HARDCAST FOIL-GRIP 1402 BUTYL RUBBER ADHESIVE TAPE.
- E. DUCT SHALL BE SUPPORTED AT BASE OF DUCT DROPS. CURB DUCT RAILS ARE NOT INTENDED TO AND SHALL NOT SUPPORT THE WEIGHT OF THE DUCT.
- F. ALL DUCT WRAP SHALL BE MINIMUM 2" THICK, 3/4 PCF AND 6 R-VALUE INSTALLED WITH EITHER A VAPOR BARRIER WITH MAXIMUM PERMEANCE 0.05 OR A MINIMUM 2 MIL ALUMINUM REINFORCED FOIL/KRAFT FACING.
- G. ALL DUCT DROPS FROM THE ROOFTOP UNITS SHALL BE EXTERNALLY INSULATED.
- H. SUPPLY AND RETURN AIR DUCTWORK SERVING ALL AREAS SHALL BE EXTERNALLY INSULATED.
- I. ALL AIR CONVEYANCE COMPONENTS SUCH AS, BUT NOT LIMITED TO DUCT, DUCT PLENUMS, GRILLES/DIFFUSERS, BACK PANS, AND BOOTS SHALL BE INSULATED. INSULATION TYPE IS COVERED ELSEWHERE IN THIS SPECIFICATION.
- J. RESTROOM RECTANGULAR EXHAUST AIR DUCTWORK SHALL BE LINED WITH 1" THICK, 1-1/2 PCF INSULATION. RESTROOM ROUND EXHAUST DUCT SHALL BE EXTERNALLY INSULATED PER SECTION 2.02F.
- K. DUCT DROPS SHALL BE ISOLATED FROM UNIT VIBRATION WITH THE USE OF NFPA AND U.L. APPROVED FLEXIBLE CONNECTORS INSTALLED AT THE TOP OF BOTH SUPPLY AND RETURN DROPS.
- L. INSULATED FLEXIBLE DUCT MAY BE UTILIZED FOR RUNOUTS TO GRILLES AND DIFFUSERS ONLY IN THE HORIZONTAL POSITION AND IN MAXIMUM LENGTHS OF 4'-0", NO EXCEPTIONS.
- M. CONSTRUCTION OF FLEXIBLE DUCTWORK SHALL INCLUDE SPIRAL METAL HELIX BONDED TO A POLYESTER CORE, FIBERGLASS INSULATION WITH POLYETHYLENE OR MYLAR VAPOR BARRIER, ALL COMPONENTS SHALL HAVE APPROPRIATE U.L. APPROVAL AND SHALL BE EQUIVALENT TO THERMAFLEX MKE. FLEX DUCT SHALL HAVE A MINIMUM R-VALUE OF 6.
- N. FLEXIBLE DUCT SHALL BE INSTALLED PER THE "ADC FLEXIBLE DUCT PERFORMANCE AND INSTALLATION STANDARDS, 4TH ED" USING FOIL TAPE AND DRAWBAND ON THE INNER CORE AND TAPE OR DRAWBAND ON THE OUTER JACKET.
- O. DUCT TAPE SHALL BE EQUAL TO FASSON 181-B FX, 2-1/2" WIDE.
- P. SINGLE THICKNESS TURNING VANES SHALL BE INSTALLED AT ALL SUPPLY DUCT 90 DEGREE ELBOWS WHERE THE CENTERLINE RADIUS (R) IS LESS THAN THE WIDTH OF THE DUCT AND ANY ONE DIMENSION IS GREATER THAN 12".
- Q. EXTERNAL INSULATION ON BOTTOM OF DUCTS 24" OR WIDER SHALL BE SUPPORTED WITH STICK PINS ON 18" CENTERS. STICK PIN WASHERS SHALL BE COVERED WITH DUCT TAPE OR MASTIC.

2.03 CONTROLS

- A. SYSTEMS SHALL BE COMPLETE WITH CONNECTIONS TO CFA-500 TEMPERATURE CONTROL PANEL AS MANUFACTURED BY SUNCOAST ENVIRONMENTAL CONTROLS (S.E.C.) (PH: 877-544-6679). THE PANEL IS PROVIDED AND MOUNTED BY THE ELECTRICAL CONTRACTOR. CONTROL WIRING TERMINATIONS ARE BY THE MECHANICAL CONTRACTOR WHERE PERMITTED BY AHJ.
- B. THE SMOKE DETECTORS SHALL BE FACTORY INSTALLED AND WIRED BY THE ROOFTOP UNIT MANUFACTURER.
- C. A FACTORY INSTALLED SMOKE DETECTOR IN THE RETURN AIR SECTION OF EACH AIR CONDITIONING UNIT SHALL STOP THE INDOOR FAN AND CLOSE THE OUTSIDE AIR DAMPER IN THE EVENT OF EXCESSIVE TEMPERATURE OR SMOKE. SMOKE DETECTOR SHALL BE LOCATED PRIOR TO ANY EXHAUST FROM THE BUILDING OR MIXING WITH FRESH AIR MAKE-UP. UPON DETECTION, THE SYSTEM SHALL NOT RESTART UNTIL THE DEVICE IS MANUALLY RESET. DEVICES SHALL BE LOCATED WHERE THEY CAN BE EASILY ACCESSED AND WHERE CLEAR OF FILTERS.
- D. CHICK-FIL-A HAS A NATIONAL ACCOUNT WITH SUNCOAST ENVIRONMENTAL CONTROLS FOR THE SMOKE DETECTOR TEST/RESET ANNUCIATOR STATIONS. THE TEST/RESET STATIONS WILL BE PURCHASED BY THE ELECTRICAL CONTRACTOR AS A PART OF A NATIONAL ACCOUNT PACKAGE AND TURNED OVER TO THE MECHANICAL CONTRACTOR FOR INSTALLATION.
- E. THE REMOTE TEST/RESET ANNUCIATORS SHALL BE PROVIDED BY THE ELECTRICAL CONTRACTOR AND INSTALLED BY THE MECHANICAL CONTRACTOR. INSTALLATION BY MECHANICAL SHALL INCLUDE MOUNTING OF THE ANNUCIATORS AND ALL WIRING FROM EACH DEVICE TO THE RTU. ELECTRICAL WILL PROVIDE A JUNCTION BOX IN THE WALL WITH 1/2" CONDUIT STUBBED UP ABOVE THE CEILING FOR EACH REMOTE TEST STATION AS SHOWN ON THE ELECTRICAL PLANS. ANNUCIATOR SHALL BE SUNCOAST CONTROLS REMOTE TEST/RESET STATION WITH POWER LED, TROUBLE LED, ALARM LED, 90DB HORN AND TEST/RESET BUTTON.
- F. THE RESTROOM FAN SHALL BE INTERLOCKED TO THE LIGHTS SERVING THE MEN AND WOMEN'S RESTROOMS. THE HOOD FANS SHALL BE CONTROLLED VIA THE SUNCOAST CFA-500 CONTROL PANEL. WIRING RELAYS AND SWITCHES FOR CONTROL OF ALL FANS ARE BY ELECTRICAL CONTRACTOR.
- G. THERMOSTATS ARE PROVIDED AND INTEGRATED INTO THE TEMPERATURE CONTROL PANEL BY SUNCOAST ENVIRONMENT CONTROLS. SUNCOAST WILL PROVIDE A NETWORK THERMOSTAT US32-CFA THERMOSTAT PRE-WIRED IN THE TEMPERATURE CONTROL PANEL. REMOTE TEMPERATURE SENSOR(S) FOR EACH THERMOSTAT IS ALSO PROVIDED. MECHANICAL CONTRACTOR SHALL INSTALL ALL WIRING BETWEEN THE THERMOSTAT, THE REMOTE SENSOR(S) AND THE ROOFTOP UNIT.
- H. MECHANICAL CONTRACTOR SHALL INSTALL CONTROL WIRING IN 1/2" CONDUIT WHERE REQUIRED BY CODE. WHERE NOT REQUIRED TO BE IN CONDUIT, ALL WIRINGS SHALL BE RUN PARALLEL TO STRUCTURAL MEMBERS OR PERPENDICULAR WITH NO DIAGONAL ROUTING. ALL WIRING SHALL BE SECURED TO THE FRAMING TO PREVENT SAGGING IN RUNS. WIRING TO ROOFTOP UNITS SHALL BE ROUTED THROUGH THE FACTORY THRU-BASE FITTING IN THE UNIT BASE. NO SPLICING OF WIRING WILL BE ACCEPTED. ALL WIRING ABOVE THE ROOF SHALL BE INSTALLED IN EXTERIOR GRADE FLEXIBLE CONDUIT. ALL CONTROL WIRING AND CONTROL WIRING CONDUIT SHALL BE FURNISHED AND INSTALLED BY THE MECHANICAL CONTRACTOR. WIRING SHALL BE INSTALLED IN ACCORDANCE WITH LATEST EDITION OF NEC. ALL LOW VOLTAGE CONTROL WIRING SHALL BE NO LESS THAN 18 AWG MIN. CONTROL WIRING CONDUCTORS SHALL BE SIZED TO ACCOUNT FOR LOAD AND LENGTH OF RUN TO ALLOW SUFFICIENT VOLTAGE AVAILABLE AT CONTROLLED DEVICE TO OPERATE THE SYSTEM RELIABLY.

2.04 PIPING

- A. ALL ABOVE GRADE NATURAL GAS PIPING SHALL BE SCHEDULE 40 STEEL MEETING ASTM A53 WITH SCREWED OR WELDED FITTINGS AND GASKET TYPE UNIONS AND FLANGES. FOR SCREWED PIPING, FITTINGS SHALL BE JOINED WITH BLACK 150 POUND MALLEABLE IRON SCREWED FITTINGS AS ALLOWED BY LOCAL AUTHORITY. CONTRACTOR SHALL VERIFY THE NEED FOR WELDED PIPING AS REQUIRED BY THE LOCAL GAS CODE AND/OR APPLICABLE LOCAL ORDINANCES AND AMENDMENTS.
- B. ALL BELOW GRADE NATURAL GAS PIPING SHALL BE MEDIUM DENSITY POLYETHYLENE (PE) MEETING ASTM D2513 AS MANUFACTURED BY GASTITE WITH JOINING SYSTEM AS MANUFACTURED BY CON-STAB. TRANSITIONS FROM ABOVE GRADE RIGID PIPING TO PE BELOW GRADE PIPING SHALL BE MADE WITH ANODE-LESS RISER ASSEMBLY AS MANUFACTURED BY CON-STAB.

- C. PROVIDE AND INSTALL A CUT-OFF VALVE, UNION AND FULL SIZE DIRT LEG AT CONNECTION TO EACH GAS-FIRED PIECE OF EQUIPMENT. INSTALL PIPING AT AND ABOVE IT SO AS TO NO WAY OBSTRUCT EQUIPMENT ACCESS PANELS AND/OR ACCESS DOORS.
- D. ALL GAS PIPING ABOVE ROOF SHALL BE CLEANED FREE OF RUST AND PAINTED WITH COAT OF ZINC RUST PRIMER AND ONE COAT OF ALUMINUM BASE PAINT. METER AND GAS RISER SHALL BE PRIMED AND PAINTED TO MATCH BUILDING.
- E. NATURAL GAS PIPING SHALL BE LEAK TESTED IN ACCORDANCE WITH APPLICABLE CODE REQUIREMENTS AND MANUFACTURERS RECOMMENDATIONS.

PART III - EXECUTION

3.01 SCOPE

- A. FURNISH AND INSTALL SYSTEM IN ACCORDANCE WITH REFERENCED STANDARDS, APPLICABLE CODES, MANUFACTURER'S RECOMMENDATIONS AND AS INDICATED ON DRAWINGS.
- B. CONTRACTOR SHALL INSTRUCT THE OWNER'S REPRESENTATIVE IN ALL MATTERS PERTAINING TO THE PROPER MAINTENANCE OF EQUIPMENT FURNISHED UNDER THIS CONTRACT. THE HIGH DEMONSTRATION AND EXPLANATION OF OPERATING & MAINTENANCE MANUALS.
- C. CONTRACTOR SHALL PROVIDE A "SAMPLE MAINTENANCE PROPOSAL" TO THE OWNER'S REPRESENTATIVE IN ALL MATTERS PERTAINING TO THE PROPER MAINTENANCE OF EQUIPMENT FURNISHED UNDER THIS CONTRACT.
- D. CONTRACTOR SHALL COMPLETE A/C EQUIPMENT STARTUP DOCUMENTATION PROVIDED BY OWNER AND/OR MANUFACTURER. THIS SHALL INCLUDE RE-TORQUE OF ALL FIELD AND FACTORY HIGH VOLTAGE CONNECTIONS.

3.02 LEED PROJECTS

- A. CONTRACTOR SHALL COMPLETE RECEIPT INSPECTION CHECKLISTS PROVIDED IN THE COMMISSIONING PLAN WITHIN 5 DAYS OF RECEIVING EQUIPMENT ON SITE.
- B. CONTRACTOR SHALL COMPLETE PRE-FUNCTIONAL CHECKLISTS PROVIDED IN THE COMMISSIONING PLAN. CHECKLISTS SHALL BE RETURNED AT LEAST 5 DAYS PRIOR TO SCHEDULING FUNCTIONAL PERFORMANCE TESTING.
- C. CONTRACTOR SHALL PROVIDE A TECHNICIAN TO ASSIST THE THIRD PARTY COMMISSIONING AUTHORITY WITH FUNCTIONAL TESTING. FUNCTIONAL TESTING SHALL OCCUR AFTER ALL CONTROLS HAVE BEEN INSTALLED AND VERIFIED AND AFTER TEST AND BALANCE IS COMPLETE. THE FUNCTIONAL PERFORMANCE TEST PROCEDURES CAN BE FOUND IN THE COMMISSIONING PLAN.
- D. IF THE TOTAL TIME REQUIRED TO CORRECT PROBLEMS DURING TESTING IS GREATER THAN FORTY-FIVE (45) MINUTES (UNLESS EXTENUATING CIRCUMSTANCES EXIST), THE TEST SHALL BE CONSIDERED FAILED AND MUST BE REPEATED IN ITS ENTIRETY.
- E. RE-TESTING: DURING THE COURSE OF THE RETEST, IF AT ANY POINT A MAJOR DEFICIENCY IS DISCOVERED, THE TEST WILL BE STOPPED. REPEAT TESTS UNTIL ACCEPTABLE RESULTS ARE ACHIEVED. IF MORE THAN TWO FUNCTIONAL PERFORMANCE TESTS (ONE INITIAL TEST AND ONE RETEST) FOR ANY TYPE OF EQUIPMENT DUE TO ISSUES THAT THE CONTRACTOR HAD DIRECT OR INDIRECT CONTROL OVER ARE REQUIRED, THE COSTS FOR THE CXA TO WITNESS RETESTING OF SIMILAR TYPES OF EQUIPMENT UNTIL SATISFACTORY RESULTS ARE OBTAINED SHALL BE THE RESPONSIBILITY OF THE CONTRACTOR.

3.03 TEST & BALANCE

- A. OWNER SHALL TEST AND BALANCE MECHANICAL SYSTEM IN ACCORDANCE WITH NEBB, NBC OR AABC STANDARDS TO ASSURE CONFORMANCE WITH DESIGN. G.C. WILL MAKE MECHANICAL CONTRACTOR AVAILABLE DURING TEST AND BALANCE TO ASSIST TESTING AGENCY AND TO MAKE CORRECTIONS IMMEDIATELY NECESSARY. CONTRACTOR SHALL CORRECT ITEMS ON WRITTEN TEST AND BALANCE REPORT.
- B. ALL EQUIPMENT TO BE BALANCED MUST HAVE GONE THRU SUCCESSFUL START-UP PROCEDURE BY THE MECHANICAL CONTRACTOR (MC) PRIOR TO TAB VISIT.
- C. THE FLOOR OF THE RESTAURANT SHALL BE CLEARED OF DEBRIS, STAGED CONSTRUCTION MATERIALS, EQUIPMENT, ETC. WHICH MAY, IN THE OPINION OF THE TAB TECHNICIAN, OBSTRUCT ACCESS TO AIR DISTRIBUTION COMPONENTS IN AND ABOVE THE CEILING.
- D. EQUIPMENT ACCESS PANELS, DUCT AIR DEVICES SUCH AS BALANCING DAMPERS AND ACTUATORS SHALL BE ACCESSIBLE AND CLEAR OF PIPING, CONDUIT, FRAMING, SUPPORTS ETC..
- E. PROVIDE AN 8 FT PORTABLE A-FRAME STYLE LADDER DEDICATED FOR THE TAB TECHNICIAN'S USE DURING THE ENTIRE TAB EFFORT DURATION.

KITCHEN HOOD SYSTEMS NOTES

1. CHICK-FIL-A MAINTAINS A NATIONAL ACCOUNT WITH HALTON CO. FOR THE HOODS. CHICK-FIL-A WILL PURCHASE AND PROVIDE THE HOODS FOR INSTALLATION BY THE MECHANICAL CONTRACTOR. THE MECHANICAL CONTRACTOR SHALL BE RESPONSIBLE FOR RECEIVING THE HOODS. CONTACT HALTON CO. AT 270-237-5600 FOR MORE INFO.
2. THE FIRE SUPPRESSION SYSTEM SHALL CONSIST OF A COMPLETE WET CHEMICAL SYSTEM FURNISHED BY HALTON. THE HOOD SHALL BE FURNISHED PRE-PIPED BY HALTON.
3. THE FIRE SUPPRESSION SYSTEM EXTERNAL TO THE HOODS SHALL BE INSTALLED IN ACCORDANCE WITH HOOD MANUFACTURER'S SHOP DRAWINGS BY AN AUTHORIZED INSTALLER SELECTED AND HIRED BY HALTON. COST FOR INSTALLATION INCLUDED IN PRICE OF HOODS TO CFA.
4. HOOD EXHAUST DUCTWORK SHALL BE 16 GA. BLACK STEEL WITH CONTINUOUS LIQUID TIGHT WELD OF JOINTS & SEAMS.
5. TURNS IN GREASE EXHAUST DUCTWORK SHALL BE LONG RADIUS TYPE, WITH A CENTERLINE RADIUS R=3W/2, UNLESS OTHERWISE NOTED. NO MITERED FITTINGS ALLOWED.
6. ALL STAINLESS STEEL CLOSURE PANELS SHALL BE SUPPLIED BY HOOD MANUFACTURER AND INSTALLED BY THE MECHANICAL CONTRACTOR ACCORDING TO MANUFACTURER'S RECOMMENDATIONS.
7. SLOPE ALL GREASE EXHAUST DUCT BACK TO HOOD AT 1/4" PER FOOT OF RUN.
8. WRAP NEW GREASE DUCT WITH UNIFRAX FYREWREAP. INSULATION ON ACCESS DOORS SHALL BE INSTALLED ACCORDING TO MANUFACTURER'S INSTALLATION RECOMMENDATIONS. UNIFRAX FYREWREAP PRODUCT USED SHALL MEET LOCAL CODE REQUIREMENTS.
9. SUPPORT ALL HOODS WITH THREADED ROD AT EACH FACTORY SUPPORT POINT. EACH SUPPORT POINT MUST SUPPORT THE HOOD WEIGHT EQUALLY. ATTACH TO STRUCTURE AS DETAILED ON STRUCTURAL DRAWINGS. ATTACH HOOD TO WALL AT 16" INTERVALS ALONG FULL LENGTH OF HOOD ON TOP AND BOTTOM. ATTACHMENT TO WALL REQUIRES FIELD DRILLING OF SUPPORT ANGLE AT BACK OF HOODS. EACH WALL ATTACHMENT POINT MUST OCCUR AT A WALL STUD. ATTACHMENT HARDWARE TO BE #12-24 HEX HEAD SHEET METAL SCREW EQUAL TO TETRON SDS EDT265, LENGTH AS REQUIRED TO FULLY PENETRATE THE STUD.

GENERAL NOTES

1. DUCT SIZES SERVING DIFFUSERS AND GRILLES ARE SAME SIZE AS DIFFUSER OR GRILLE NECK UNLESS NOTED OTHERWISE.
2. FLEXIBLE DUCT AND INSULATION NOT SHOWN FOR CLARITY.
3. FOR ALL ROOF EQUIPMENT, PROVIDE A PLASTIC ENGRAVED LABEL WITH 1" HIGH WHITE LETTERS ON A BLACK BACKGROUND. WITH A SELF-ADHESIVE BACKING.
4. UNLESS NOTED OTHERWISE, MC TO ADJUST ALL DIFFUSER AIR PATTERN DEFLECTORS TO THROW HORIZONTALLY ALONG THE CEILING.
5. ALL EXHAUST DUCTWORK AND UNFINISHED METAL ON ROOF EXCEPT STAINLESS SHALL BE PREPARED WITH TWO COATS OF SHERWIN WILLIAMS PRO INDUSTRIAL DTM ACRYLIC COATING, SEMI-GLOSS, WHITE, DEGREASE AND PRIME BARE METAL SURFACE WITH ONE COAT OF SHERWIN WILLIAMS PRO INDUSTRIAL PRO-CRYLACRYLIC UNIVERSAL PRIMER, WHITE, PRIOR TO PAINTING.
6. MAINTAIN 18" CLEARANCE FROM GREASE EXHAUST DUCTWORK ABOVE ROOF TO ANY COMBUSTIBLE CONSTRUCTION INCLUDING PARAPET WALLS.

CANOPY GENERAL NOTES

1. COORDINATE WORK WITH CONDUIT, STRUCTURE, AND PIPING. FIELD VERIFY CONDITIONS PRIOR TO START OF WORK.
2. COORDINATE LOCATION AND RESPONSIBILITIES FOR UNDERGROUND PIPING AND ASSOCIATED TRENCHING WITH GENERAL CONTRACTOR PRIOR TO START OF WORK.
3. EXPOSED GAS PIPING SHALL BE COVERED WITH A RUST INHIBITING PAINT SUCH AS RUST-OLEUM 5200. PAINT COLOR SHALL MATCH STRUCTURE. ROOF MOUNTED GAS PIPING COLOR SHALL BE YELLOW.
4. CONTROL WIRING FOR HEATERS BY EC. COORDINATE REQUIRED WIRE GAUGE WITH EC. SEE CONTROLS PLAN AND ELECTRICAL DRAWINGS. (TYP.).

LEGEND

A-12-400	TYPE - NECK SIZE - CFM	EF#1	EXHAUST FAN #1 (TYP.)
	SPIN-IN FITTING WITH MANUAL BALANCING DAMPER, WITHOUT SCOOP	AC#1	AIR CONDITIONING UNIT #1 (TYP.)
	SPIN-IN HARD FLEXIBLE DIFFUSER		RETURN/EXHAUST (TYP.)
	REMOTE TEMPERATURE SENSOR		SUPPLY DIFFUSER, SQ FACE (TYP.)
	HUMIDITY SENSOR		PLAN NOTE REFERENCE
	SMOKE DETECTOR		MANUAL VOLUME DAMPER
12x18	DUCT SIZE (reverse for elevation views) 1ST NUMBER - HORIZONTAL DIMENSION 2ND NUMBER - VERTICAL DIMENSION		DIRECTION OF THROW ON DIFFUSER
			CLOSED AIR PATTERN DEFLECTOR
	AIR DOOR SWITCH		GAS INFRARED HEATER (TYP.)
	ELECTRIC INFRARED HEATER	B/G	BELOW GRADE
	PULL STATION	T	THERMOSTAT

ABBREVIATIONS

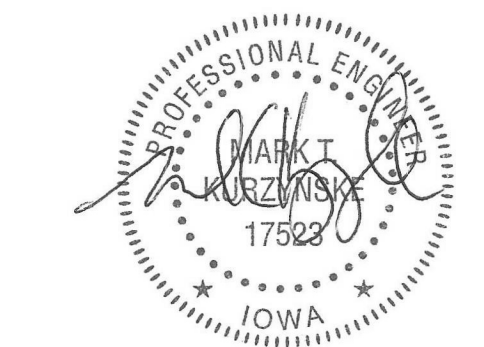
EC	ELECTRICAL CONTRACTOR
GC	GENERAL CONTRACTOR
MC	MECHANICAL CONTRACTOR
PC	PLUMBING CONTRACTOR
O.C.	ON CENTER
IRH	INFRARED HEATER
CF	CIRCULATING FAN
TF	TRANSFER FAN
EF	EXHAUST FAN



Chick-fil-A
5200 Buffington Road
Atlanta, Georgia
30349-2998



Kurzynske & Associates
2705 Lebanon Pike - Suite One
Nashville, Tennessee 37214
Telephone: (615) 255-5203



12/27/24

CHICK-FIL-A
Hamilton & Wesley FSU
820 Hamilton Blvd
Sioux City, IA 51103

FSR#05702

BUILDING TYPE / SIZE: P14 LE BN
RELEASE: 24.08
PRINTED FOR:
ISSUE FOR CONSTRUCTION
REVISION SCHEDULE

NO.	DATE	DESCRIPTION
3	12/27/2024	Issue for Construction

CONSULTANT PROJECT # 24040.CD.S
DATE 12/27/2024
DRAWN BY BLM

Information contained on this drawing and in all digital files produced for above named project may not be reproduced in any manner without express written or verbal consent from authorized project representatives.

GENERAL NOTES, LEGENDS, SYMBOLS, AND ABBREVIATIONS

M-001

Autodesk Docs://IA_05702_Hamilton & Wesley (IA) FSU_2024-1_FSR05702_Hamilton & Wesley (IA) FSU_MEC.rvt
12/23/2024 10:52:52 AM
30-LE-05702-M-001-GENERAL NOTES, LEGENDS, SYMBOLS, AND ABBREVIATIONS

ISSUE FOR CONSTRUCTION

2021 IECC Commissioning Requirements for Mechanical

2021 IECC COMMISSIONING REQUIREMENTS

C408.1 MECHANICAL SYSTEMS SHALL BE DOCUMENTED IN ACCORDANCE WITH THE FOLLOWING SECTIONS.

- C408.1.1 PROVIDE AN OPERATION AND MAINTENANCE MANUAL WHICH INCLUDES THE FOLLOWING:
1. PROVIDE HVAC EQUIPMENT SUBMITTAL DATA.
 2. PROVIDE MANUFACTURER'S OPERATION AND MAINTENANCE MANUALS FOR HVAC EQUIPMENT. ROUTINE MAINTENANCE ACTIONS SHALL BE CLEARLY IDENTIFIED.
 3. PROVIDE THE NAME AND ADDRESS OF AT LEAST ONE HVAC SERVICE AGENCY.
 4. PROVIDE HVAC CONTROL SYSTEM MAINTENANCE AND CALIBRATION INFORMATION INCLUDING WIRING DIAGRAMS, SCHEMATICS, AND CONTROL SEQUENCES. TENANT DESIRED OR FIELD-DETERMINED SETPOINTS SHALL BE PERMANENTLY RECORDED ON CONTROL DRAWINGS AT CONTROL DEVICES OR IN SYSTEM PROGRAMMING INSTRUCTIONS.
 5. PROVIDE A NARRATIVE OF HOW EACH SYSTEM IS INTENDED TO OPERATE, INCLUDING RECOMMENDED SETPOINTS.

C408.2 COMMISSIONING OF MECHANICAL SYSTEMS SHALL BE PERFORMED IN ACCORDANCE WITH THE FOLLOWING SECTIONS.

- C408.2.1 A COMMISSIONING PLAN SHALL BE DEVELOPED IN ACCORDANCE WITH THIS SECTION AND SHALL INCLUDE THE FOLLOWING ITEMS:
1. A NARRATIVE DESCRIPTION OF THE ACTIVITIES TO BE PERFORMED.
 2. A LIST OF THE SYSTEMS AND EQUIPMENT REQUIRED TO BE COMMISSIONED.
 3. A LIST OF THE TEST FUNCTIONS TO BE PERFORMED ON THE CORRESPONDING EQUIPMENT.
 4. CONDITIONS UNDER WHICH THE TEST WILL BE PERFORMED.
 5. MEASUREABLE CRITERIA FOR PERFORMANCE.

C408.2.2 MECHANICAL SYSTEMS SHALL UNDERGO TEST AND BALANCE AND SHALL BE IN ACCORDANCE WITH THE CONSTRUCTION SPECIFICATIONS AS WELL AS THE 2021 IECC. AIR AND WATER FLOW RATES SHALL BE MEASURED AND ADJUSTED TO DELIVER FINAL FLOW RATES WITHIN THE TOLERANCES PROVIDED IN THE CONSTRUCTION SPECIFICATIONS.

C408.2.2.1 CONDUCT AIR SYSTEMS TEST AND BALANCE IN ACCORDANCE WITH THE REQUIREMENTS OF THIS SECTION AND THE CONSTRUCTION SPECIFICATIONS.

C408.2.2.2 CONDUCT WATER SYSTEMS TEST AND BALANCE IN ACCORDANCE WITH THE REQUIREMENTS OF THIS SECTION AND THE CONSTRUCTION SPECIFICATIONS.

C408.2.3 PERFORM FUNCTIONAL PERFORMANCE TESTING IN ACCORDANCE WITH THE FOLLOWING SECTIONS.

C408.2.3.1 PERFORM FUNCTIONAL PERFORMANCE TESTING FOR HVAC EQUIPMENT IN ORDER TO DEMONSTRATE THE OPERATION OF COMPONENTS, SYSTEMS AND SYSTEM-TO-SYSTEM INTERACTION IN ACCORDANCE WITH THE CONSTRUCTION DOCUMENTS AND MANUFACTURER REQUIREMENTS. TESTING SHALL INCLUDE FULL-LOAD, PART-LOAD AND EMERGENCY OPERATING CONDITIONS AND SHALL COVER ALL OPERATING MODES LISTED IN THE SEQUENCE OF OPERATION AS DEFINED IN THE CONSTRUCTION DOCUMENTS.

C408.2.3.2 HVAC SYSTEMS SHALL BE TESTED IN ORDER TO DOCUMENT THAT CONTROL DEVICES, COMPONENTS, EQUIPMENT AND SYSTEMS ARE CALIBRATED AND ADJUSTED TO OPERATE IN ACCORDANCE WITH CONSTRUCTION DOCUMENTS AND SPECIFICATIONS. HVAC CONTROL SYSTEMS

SHALL BE TESTED FOR ALL OPERATING MODES LISTED IN THE SEQUENCE OF OPERATION AS DEFINED IN THE CONSTRUCTION DOCUMENTS.

C408.2.3.3 AIRSIDE ECONOMIZERS SHALL UNDERGO FUNCTIONAL PERFORMANCE TESTING IN ORDER TO ENSURE OPERATIONAL MODES ARE FUNCTIONING IN ACCORDANCE WITH MANUFACTURER RECOMMENDATIONS.

C408.2.4 COMPLETE A PRELIMINARY COMMISSIONING REPORT OUTLINING TEST PROCEDURES AND RESULTS IN ACCORDANCE WITH THIS SECTION. THE REPORT SHALL IDENTIFY:

1. ITEMIZATION OF DEFICIENCIES FOUND DURING TESTING REQUIRED BY THIS SECTION THAT HAVE NOT BEEN CORRECTED AT THE TIME OF REPORT PREPARATION.
2. DEFERRED TESTS THAT CANNOT BE PERFORMED AT THE TIME OF THE REPORT PREPARATION DUE TO CLIMATIC CONDITIONS.
3. CLIMATIC CONDITIONS REQUIRED FOR PERFORMANCE OF THE DEFERRED TESTS.
4. RESULTS OF FUNCTIONAL PERFORMANCE TESTS.
5. FUNCTIONAL PERFORMANCE TEST PROCEDURES USED DURING THE COMMISSIONING PROCESS, INCLUDING MEASUREABLE CRITERIA FOR TEST ACCEPTANCE.

C408.2.4.1 THE OWNER SHALL RECEIVE A COPY OF THE PRELIMINARY COMMISSIONING REPORT BEFORE FINAL INSPECTION BY THE CODE OFFICIAL OCCURS.

C408.2.4.2 THE PRELIMINARY COMMISSIONING REPORT SHALL BE MADE AVAILABLE TO THE PROJECT CODE OFFICIAL UPON REQUEST.

C408.2.5 COMMISSIONING DOCUMENTATION OUTLINED IN SECTION C408 SHALL BE PROVIDED TO THE OWNER WITHIN 90 DAYS OF RECEIPT OF THE CERTIFICATE OF OCCUPANCY.

C408.2.5.1 PROVIDE AIR AND WATER SYSTEM TEST AND BALANCES REPORTS IN ACCORDANCE WITH SECTION C408.2.2.

C408.2.5.2 PROVIDE A FINAL COMMISSIONING REPORT TO THE OWNER INCLUDING THE FOLLOWING:

1. RESULTS OF FUNCTIONAL PERFORMANCE TESTS.
2. DISPOSITION OF DEFICIENCIES FOUND DURING TESTING, INCLUDING DETAILS OF CORRECTIVE MEASURES USED OR PROPOSED.
3. FUNCTIONAL PERFORMANCE TESTING PROCEDURES USED DURING THE COMMISSIONING PROCESS INCLUDING MEASUREABLE CRITERIA FOR TEST ACCEPTANCE, PROVIDED FOR REPEATABILITY.
4. LIST OUT ANY DEFERRED TESTS STILL OUTSTANDING DUE TO CLIMATIC CONDITIONS.

E

D

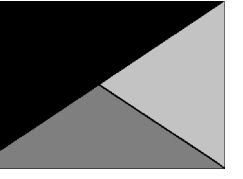
C

B

A



Chick-fil-A
5200 Buffington Road
Atlanta, Georgia
30349-2998



Kurzynske & Associates
2705 Lebanon Pike - Suite One
Nashville, Tennessee 37214
Telephone: (615) 255-5203



12/27/24

CHICK-FIL-A
Hamilton & Wesley FSU
820 Hamilton Blvd
Sioux City, IA 51103

FSR#05702

BUILDING TYPE / SIZE: P14 LE BN
RELEASE: 24.08

PRINTED FOR:
ISSUE FOR CONSTRUCTION

REVISION SCHEDULE		
NO.	DATE	DESCRIPTION
3	12/27/2024	Issue for Construction

ISSUE FOR CONSTRUCTION

CONSULTANT PROJECT # 24040.CD.S
DATE 12/27/2024
DRAWN BY BLM

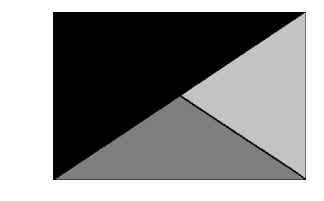
Information contained on this drawing and in all digital files produced for above named project may not be reproduced in any manner without express written or verbal consent from authorized project representatives.

SHEET
COMMISSIONING
REQUIREMENTS -
MECHANICAL
SHEET NUMBER

M-002



Chick-fil-A
5200 Buffington Road
Atlanta, Georgia
30349-2998



Kurzynske & Associates
2705 Lebanon Pike - Suite One
Nashville, Tennessee 37214
Telephone: (615) 255-5203



12/27/24

CHICK-FIL-A
Hamilton & Wesley FSU
820 Hamilton Blvd
Sioux City, IA 51103

FSR#05702

BUILDING TYPE / SIZE: P14 LE BN
RELEASE: 24.08
PRINTED FOR:
ISSUE FOR CONSTRUCTION
REVISION SCHEDULE
NO. DATE DESCRIPTION
3 12/27/2024 Issue for Construction

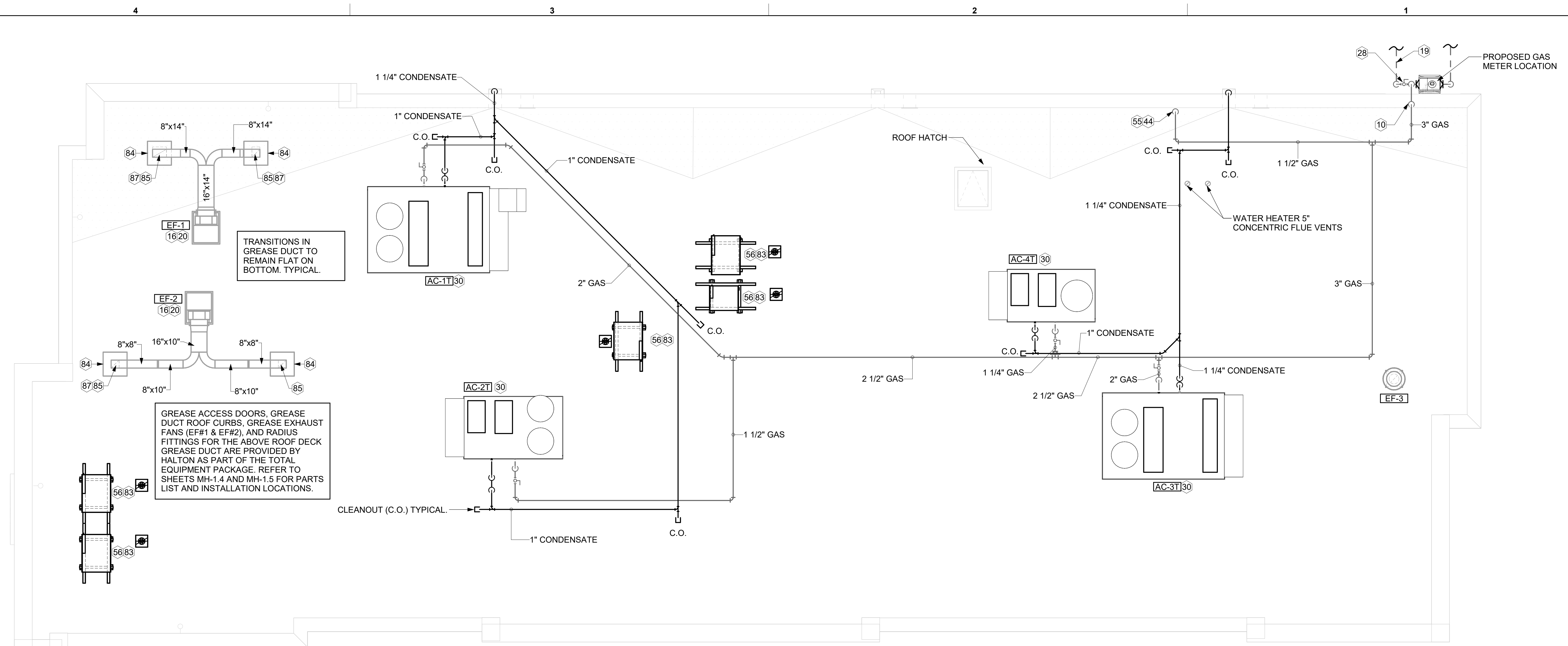
ISSUE FOR CONSTRUCTION

CONSULTANT PROJECT # 24040.CD.S
DATE 12/27/2024
DRAWN BY BLM

Information contained on this drawing and in all digital files produced for above named project may not be reproduced in any manner without express written or verbal consent from authorized project representatives.

SHEET
EQUIPMENT ROOF PLAN - TRANE

M-102T

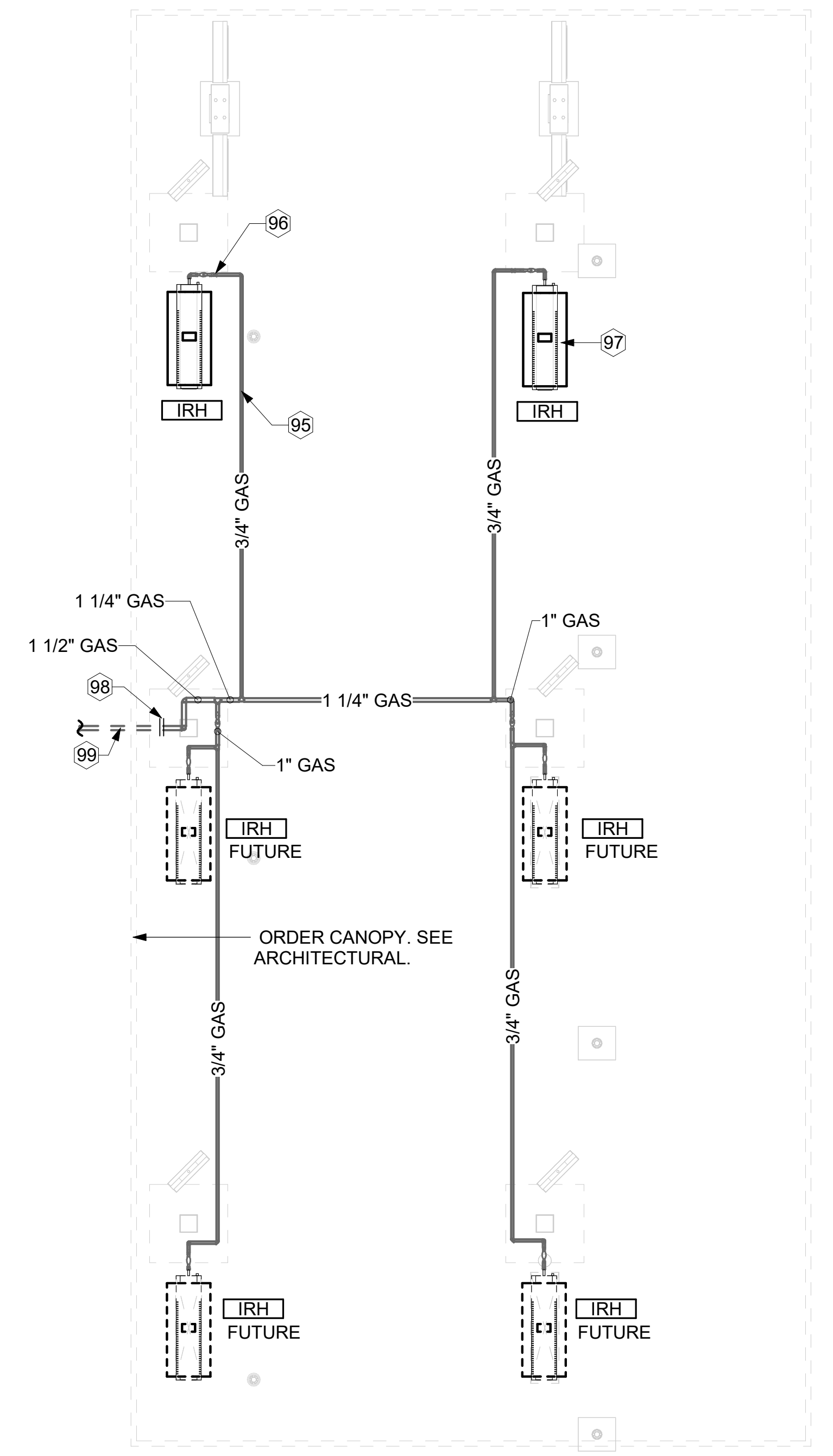


1 EQUIPMENT ROOF PLAN - TRANE
1/4" = 1'-0"

KEY NOTES

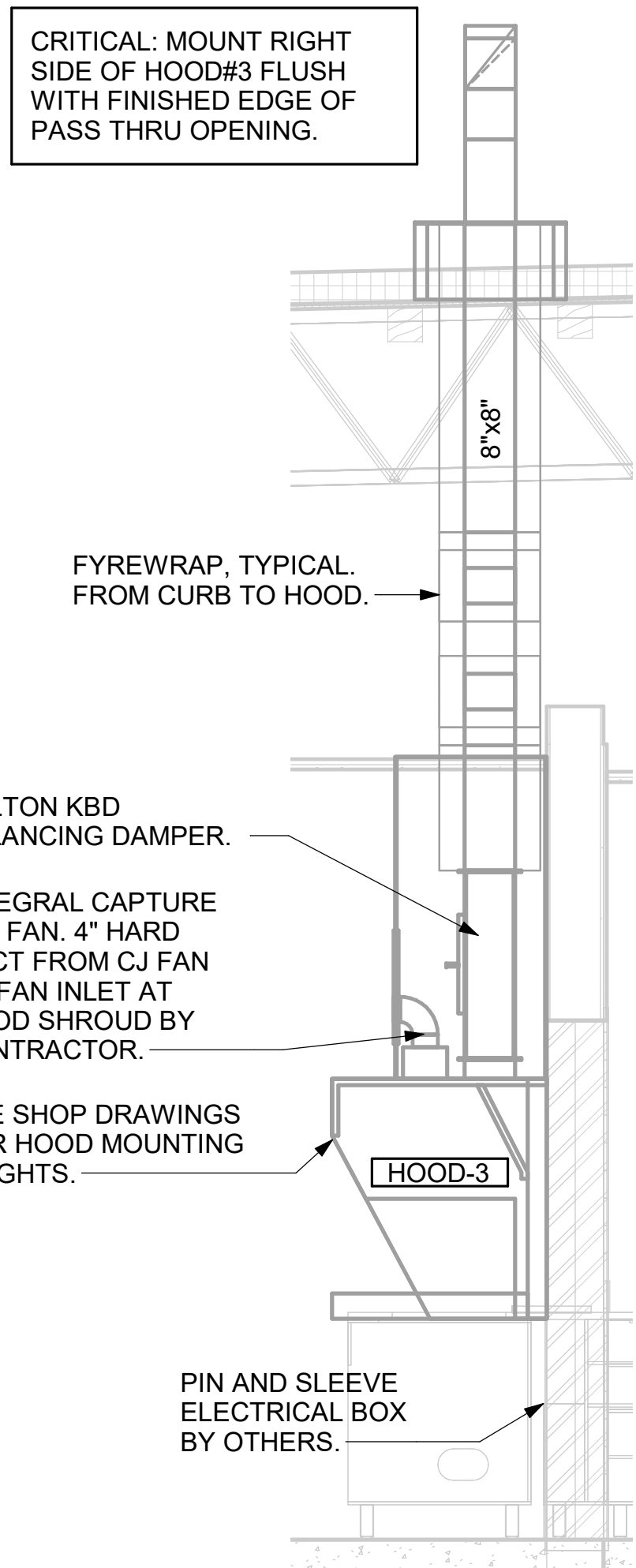
- 10 TURN 3" GAS UP WITHIN WALL, THRU PARAPET AND ONTO ROOF.
- 11 ROUTE POLYETHYLENE GAS BELOW GRADE FROM THE METER. FOR TRANSITION FROM POLYETHYLENE PIPING BELOW GRADE TO STEEL AT THE METER, INSTALL ANODELESS RISER WITH INTEGRAL CONSTAB PE-TO-IPS TRANSITION FITTING BY CONTINENTAL INDUSTRIES OR EQUAL BY ELSTER.
- 16 VERIFY EXHAUST TERMINATION IS A MINIMUM 10'-0" FROM PARAPETS AND OUTSIDE AIR INTAKES. REFER TO MH-1.4 AND MH-1.5 FOR DETAILS.
- 19 1-1/2" GAS BELOW GRADE TO ORDER CANOPY, SEE DETAIL 2 SHEET M-102.
- 20 GREASE EXHAUST DUCT LOCATED ON ROOF SHALL SLOPE 1/4" PER FOOT TOWARDS THE HOOD, THE FAN, OR A COMBINATION OF THE TWO SUCH THAT NO PORTION OF THE RADIUS ELBOW AT THE CURB IS BELOW THE CURB CAP AND SUCH THAT THE FAN BASE SETS DIRECTLY ON THE CURB RAILS. THE BOTTOM OF THE RADIUS ELBOW MAY BE EVEN OR FLUSH WITH THE CURB CAP, BUT NOT BELOW THE CAP. THE DUCT AT THE FAN MUST BE CENTERED ON THE FAN INLET.
- 28 PROVIDE FULL PORT BALL VALVE EQUAL TO APOLLO 50GB SERIES WITH WINGS HANDLE OPTION ABOVE GRADE AT THE METER. PROVIDE BRASS VALVE TAG WITH JACK CHAIN AT VALVE MARKED "SERVICE SHUTOFF FOR CANOPY HEATERS."
- 30 MECHANICAL CONTRACTOR TO SEE ARCHITECTURAL ROOF PLAN FOR NOTES REGARDING LEVELING FRAMES FOR RTUS. COORDINATE WITH GENERAL CONTRACTOR EXACT LOCATIONS AND SIZE NEEDED.
- 44 1-1/2" GAS DOWN THRU ROOF TO WATER HEATER. SEE DETAIL 2/M-502 FOR MORE INFORMATION ON CONSTRUCTION AND PENETRATION.
- 55 SEE ARCHITECTURAL DETAILS FOR ROOFTOP PIPE PENETRATIONS.
- 56 GC SHALL PROVIDE EQUIPMENT STANDS AS MANUFACTURED BY AVCOA OR EQUAL. STANDS SHALL BE INSTALLED PRIOR TO ROOF INSULATION SO THAT THE INSULATION IS CONTINUOUS UP TO THE PIPE POSTS. POSTS SHALL BE FLASHED IN ACCORDANCE WITH ROOFING MANUFACTURER'S INSTALLATION INSTRUCTIONS. COORDINATE BLOCKING BELOW THE ROOF DECK AS REQUIRED.
- 83 DO NOT DISCHARGE OF CONDENSING UNITS INTO CONDENSER SECTION OF ROOFTOP UNITS, TYP. ROOF CURB FOR DUCT PENETRATION. REFER TO MH-1.4 AND MH-1.5 FOR DETAILS.
- 85 TURN DOWN THRU ROOF. SEE M-101L/M-101T FOR CONTINUATION.
- 87 DUCT PENETRATIONS ON ROOF MUST BE AT LEAST 18" FROM ADJACENT PARAPETS.
- 95 GAS PIPING TO BE ROUTED ABOVE CANOPY, ON TOP OF STRUCTURAL MEMBERS, EXCEPT WHERE ROUTED DOWN THROUGH PENETRATIONS AS INDICATED.
- 96 GAS PIPING DOWN THROUGH DECK. WEATHERPROOF DECK PENETRATION PER DETAIL 6/M-502, TYPICAL.
- 97 SEE DETAIL 1/M-502 FOR PIPING AT IRH, TYPICAL.
- 98 GAS TRANSITION FITTING TO GAS PIPE STUB-OUT. GAS PIPING INSIDE COLUMN AND STUB-OUTS BY CANOPY MFR. JOIN UNDERGROUND POLYETHYLENE GAS PIPING TO TRANSITION FITTING WITH ELSTER PERMASERT COUPLING. CANOPY MFR'S EXPOSED STEEL PIPING BELOW GRADE SHALL BE PROTECTED WITH TWO COATS ASPHALT TUM BASE PAINT AND POLY SLEEVE.
- 99 1-1/2" GAS B/G TO METER SEE 1/M-102L OR 1/M-102T.

3. GAS LOAD SCHEDULE	
EQUIPMENT	GAS LOAD
AC-1T	400,000 BTUS
AC-2T	250,000 BTUS
AC-3T	400,000 BTUS
AC-4T	150,000 BTUS
IRH (2 @ 50,000 BTU EA.)	100,000 BTUS
IRH (FUTURE 4 @ 50,000 BTU EA.)	200,000 BTUS
WATER HEATER	398,000 BTUS
TOTAL FUTURE CONNECTED LOAD	1,898,000 BTUS
REMARKS:	1. EQUIVALENT TO 1,898.0 CFH 2. 7" W.C. DELIVERY PRESSURE 3. DEVELOPED LENGTH: 200 FT. (METER TO AC#2) 4. GAS PIPING SIZED FOR FUTURE LOAD. 5. SIZED PER IFGC TABLE 402.4(2).

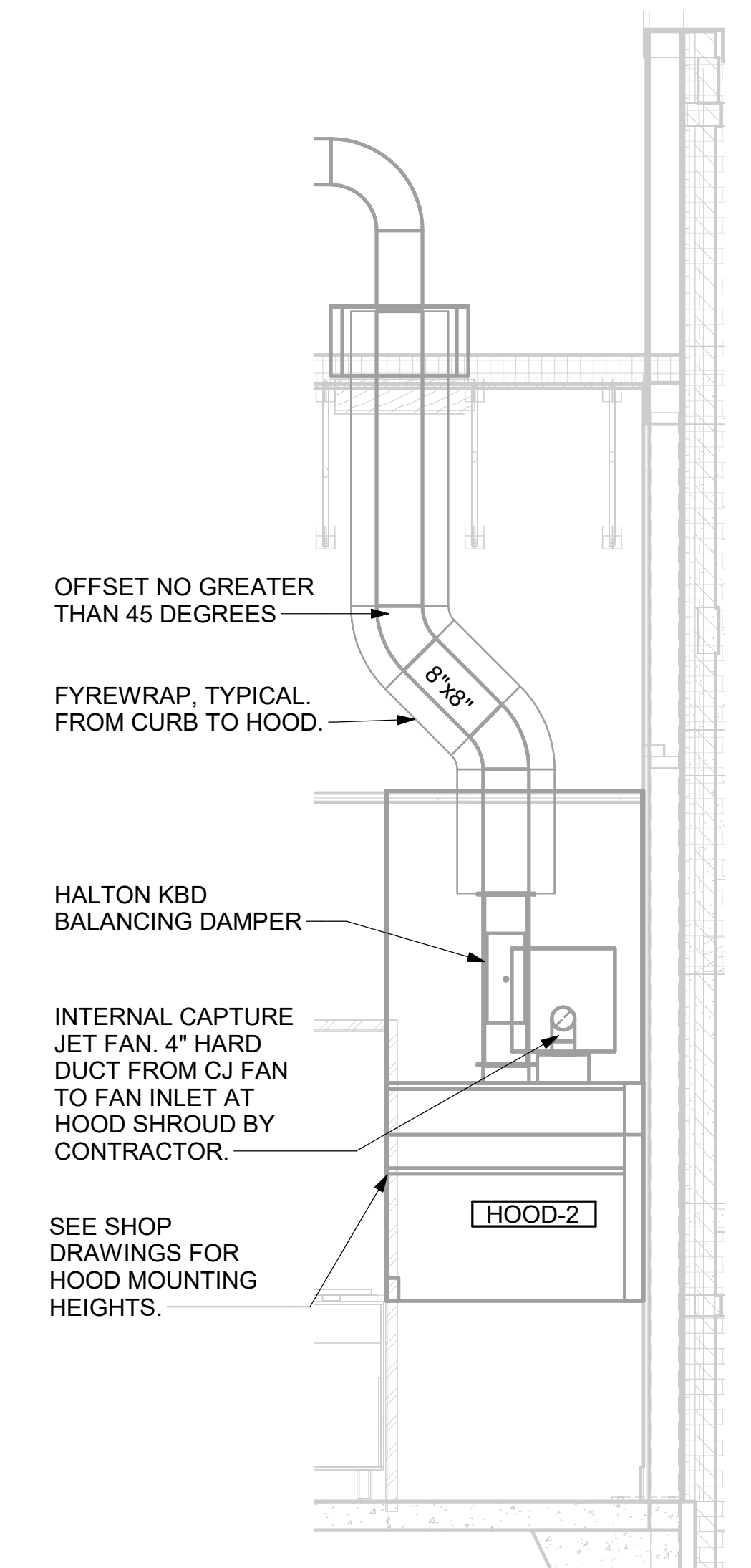


2 ORDER CANOPY GAS PIPING PLAN
1/4" = 1'-0"

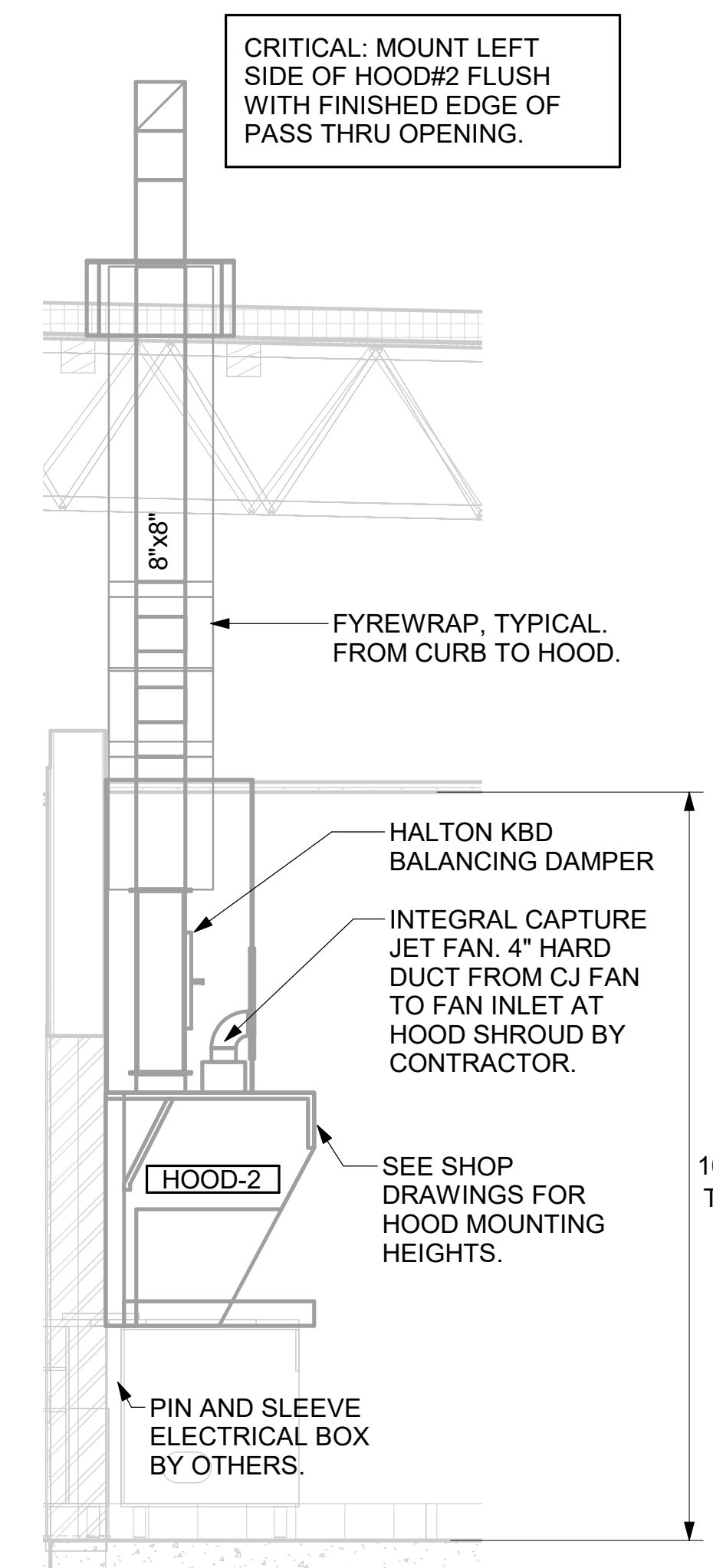
Autodesk Docs://IA_05702_Hamilton & Wesley (IA) FSU_2024_1_FSR05702_Hamilton & Wesley (IA) FSU_MEC.rvt
12/23/2024 10:53:20 AM
30-LE-05702-M-102T-EQUIPMENT ROOF PLAN - TRANE



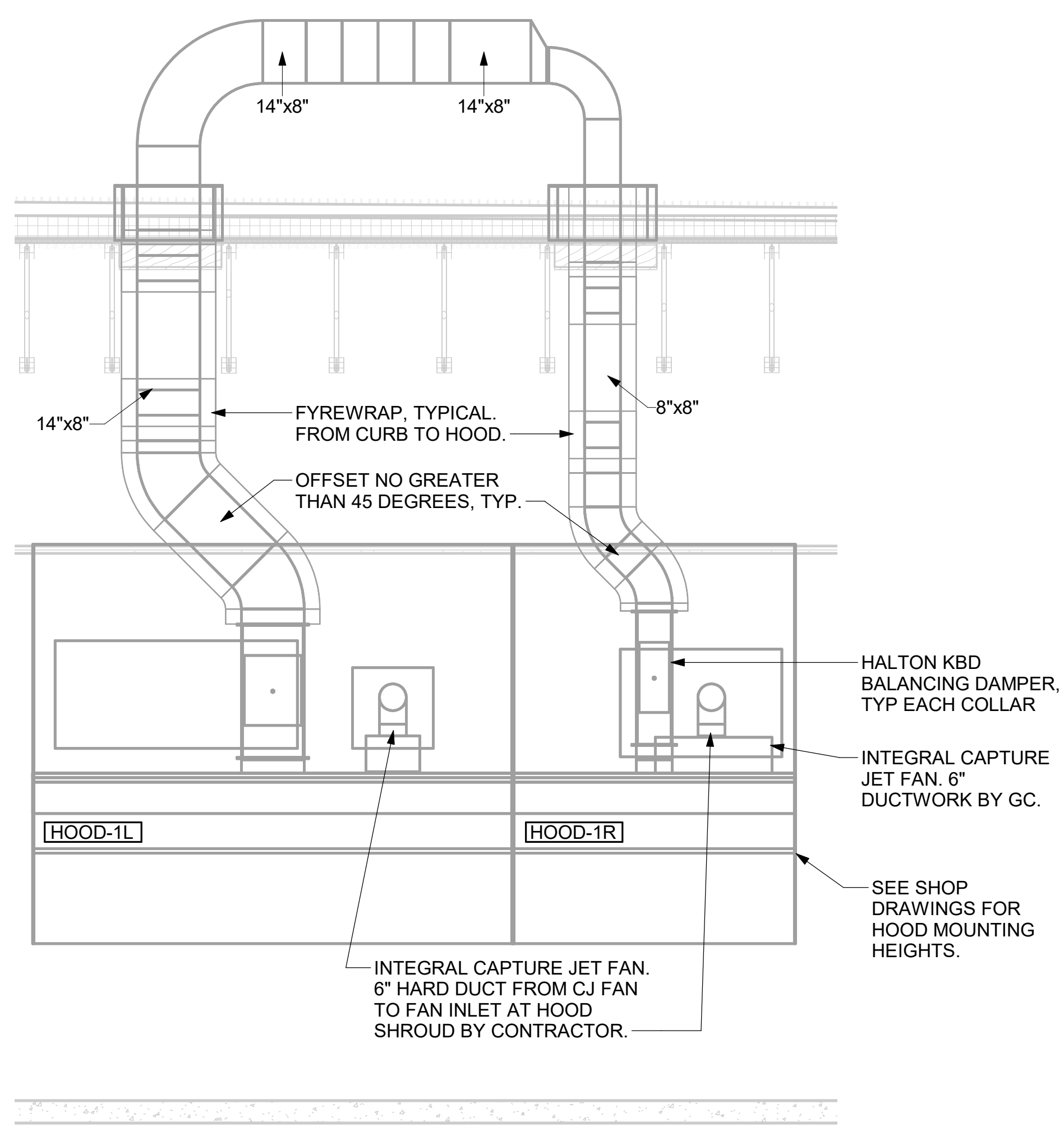
6 HOOD ELEVATION - HOOD#3
NOT TO SCALE



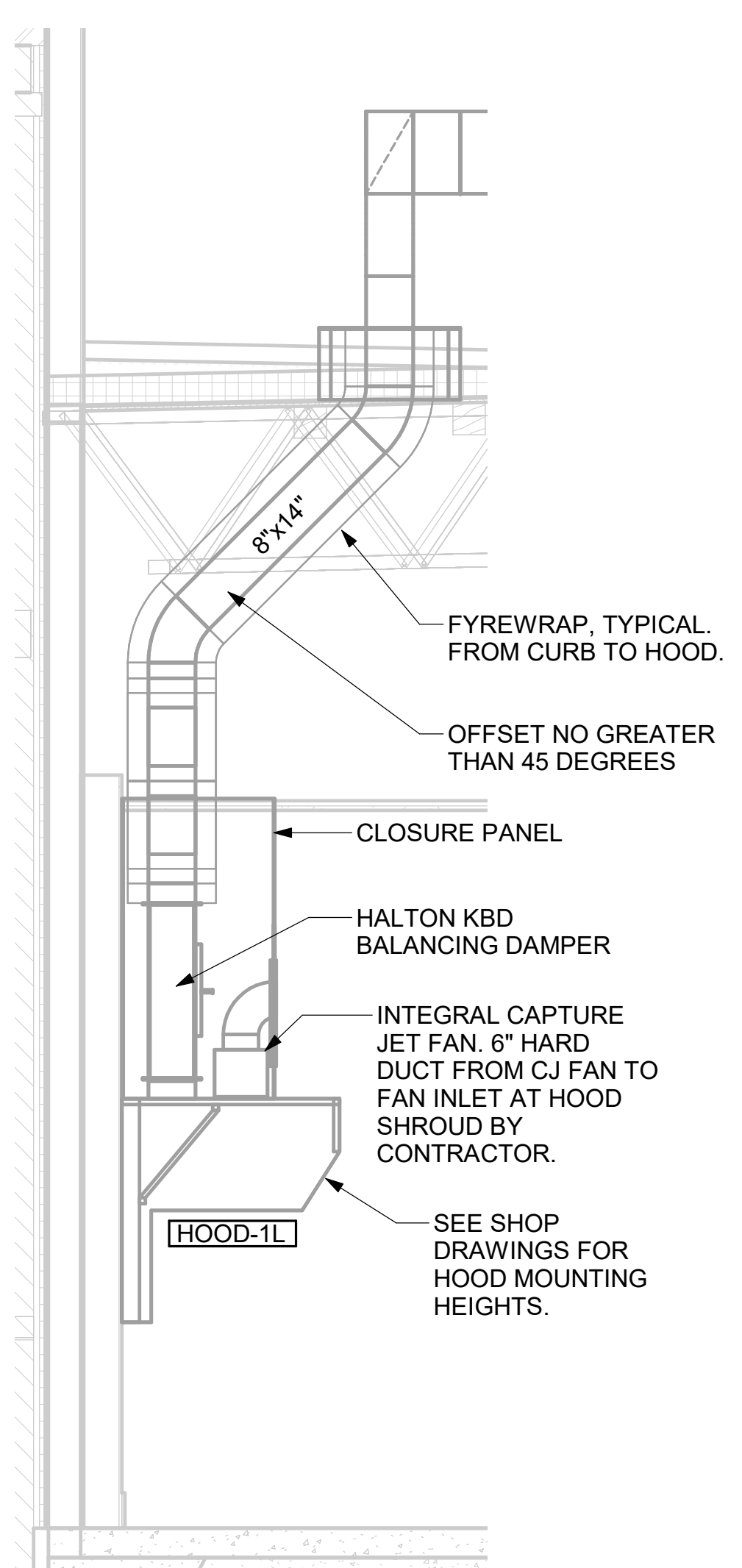
5 HOOD ELEVATION - HOOD#2 - FRONT
NOT TO SCALE



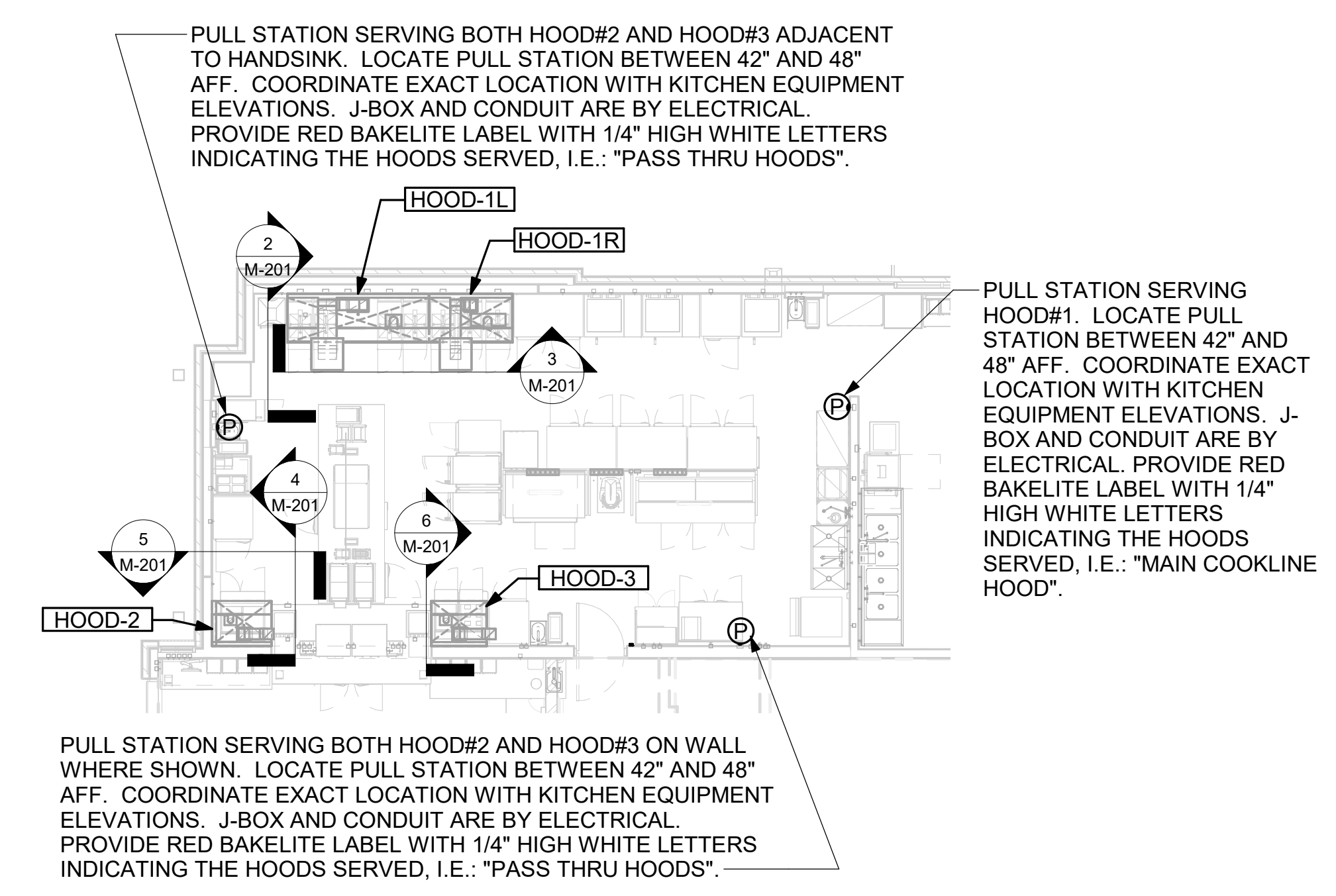
4 HOOD ELEVATION - HOOD#2 - SIDE
NOT TO SCALE



3 HOOD ELEVATION - HOOD#1 - FRONT
NOT TO SCALE



2 HOOD ELEVATION - HOOD#1 - SIDE
NOT TO SCALE



1 HOOD LAYOUT
1/8" = 1'-0"

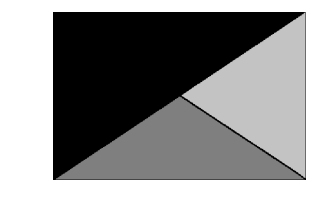
GREASE EXHAUST DUCT CLEARANCE NOTE:
CLEARANCES ABOVE CEILING ARE TIGHT. MECHANICAL CONTRACTOR TO FIELD VERIFY EXACT ROUTING AND CLEARANCES PRIOR TO FABRICATING GREASE EXHAUST DUCT.

CLEANOUT DOOR NOTE:
DUCT WRAP SHALL BE APPLIED TO THE CLEANOUT DOOR PER THE WRAP MFR'S INSTALLATION INSTRUCTIONS. NO EXCEPTIONS. ALSO, THE CLEANOUT DOOR MUST BE REMOVABLE WITHOUT TOOLS AND MUST BE CLEARLY AND PERMANENTLY LABELED.

Autodesk Docs://IA_05702_Hamilton & Wesley (IA) FSU_2024_1_FSR05702_Hamilton & Wesley (IA) FSU_MEC.rvt
12/23/2024 10:53:29 AM
30-LE-05702-M-201-EXHAUST HOOD ELEVATIONS



Chick-fil-A
5200 Buffington Road
Atlanta, Georgia
30349-2998



Kurzynske & Associates
2705 Lebanon Pike - Suite One
Nashville, Tennessee 37214
Telephone: (615) 255-5203



CHICK-FIL-A
Hamilton & Wesley FSU
820 Hamilton Blvd
Sioux City, IA 51103

FSR#05702
BUILDING TYPE / SIZE: P14 LE BN
RELEASE: 24.08
ISSUE FOR CONSTRUCTION
REVISION SCHEDULE

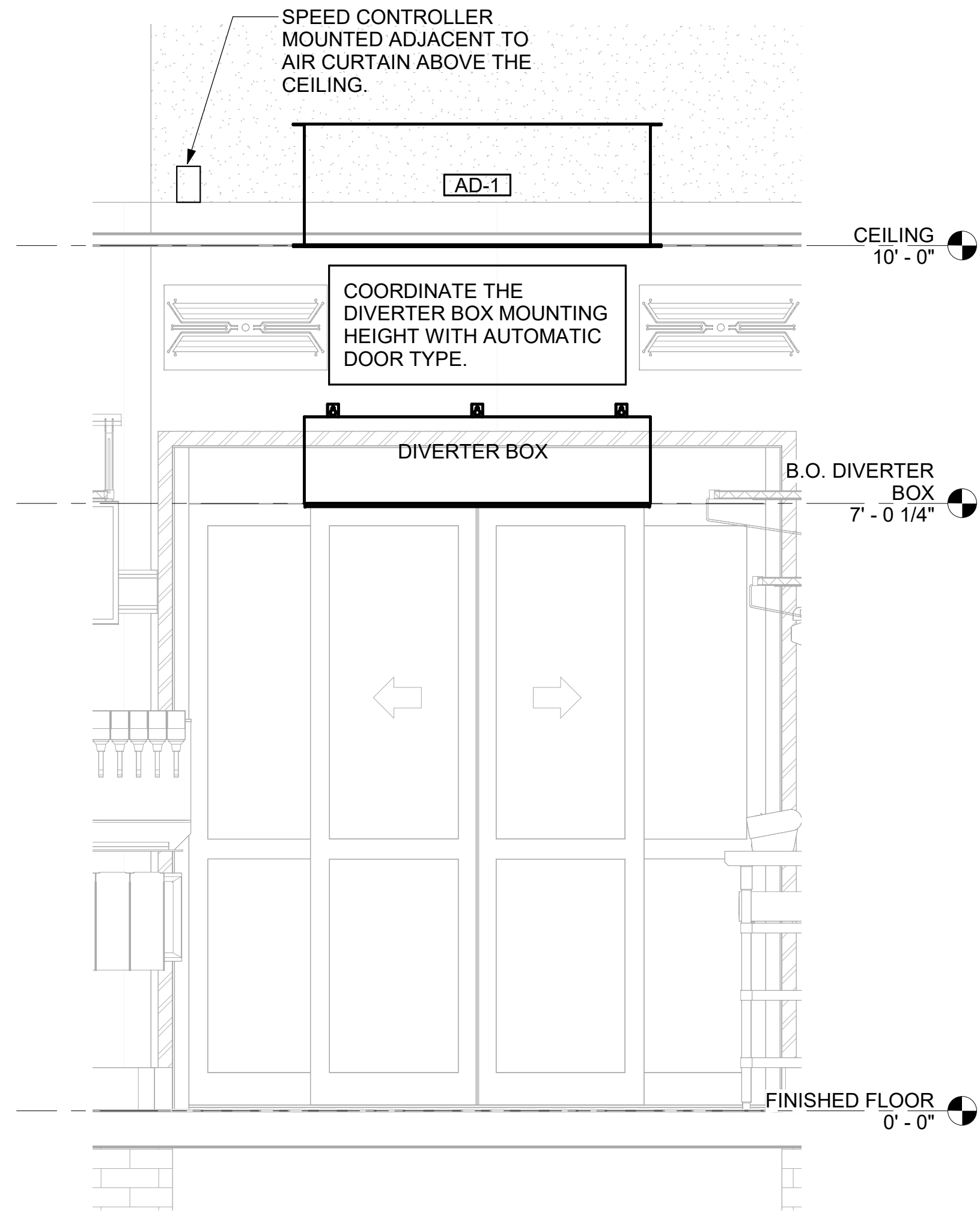
NO.	DATE	DESCRIPTION
3	12/27/2024	Issue for Construction

ISSUE FOR CONSTRUCTION

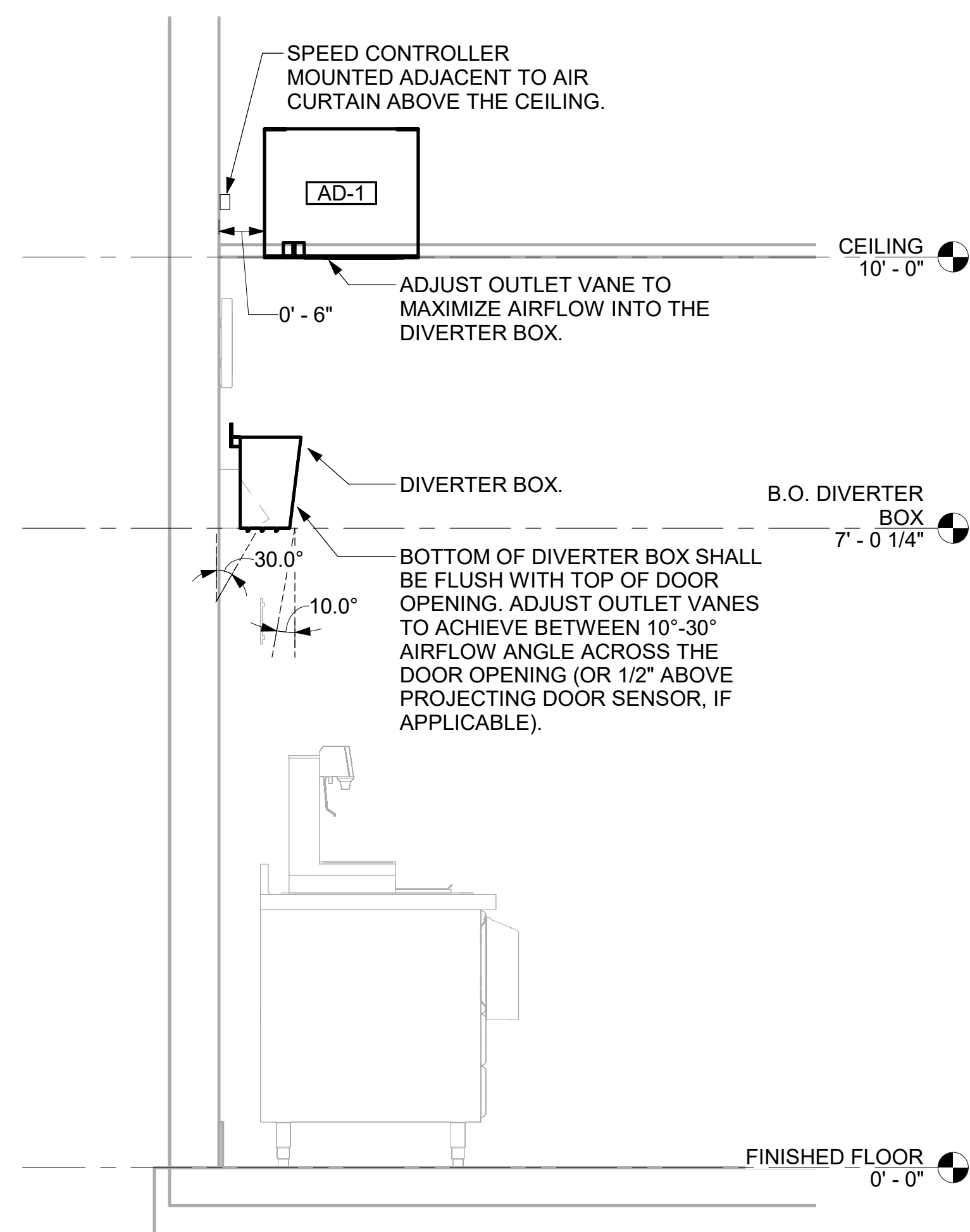
CONSULTANT PROJECT # 24040.CD.S
DATE 12/27/2024
DRAWN BY BLM

Information contained on this drawing and in all digital files produced for above named project may not be reproduced in any manner without express written or verbal consent from authorized project representatives.

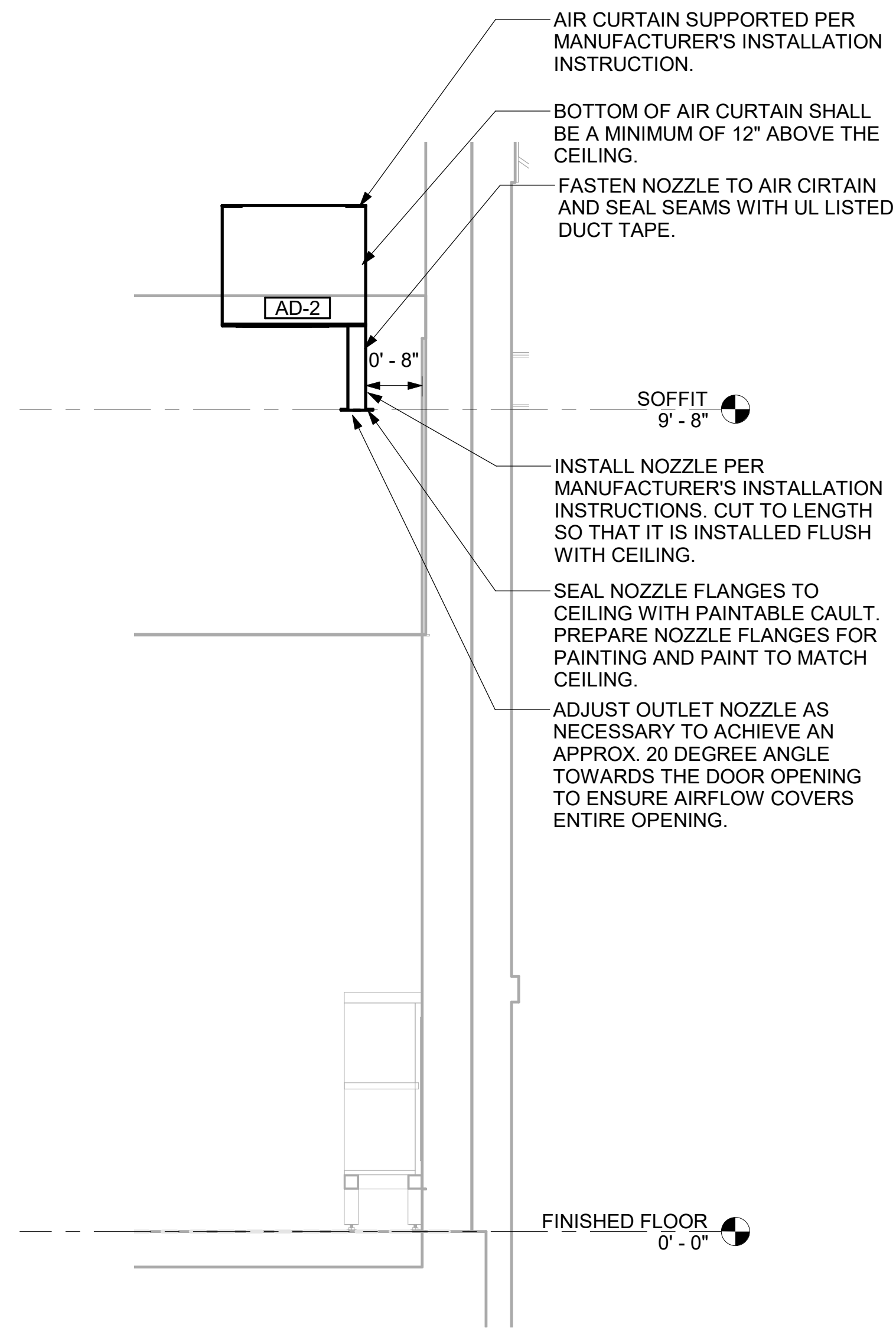
EXHAUST HOOD ELEVATIONS
SHEET NUMBER
M-201



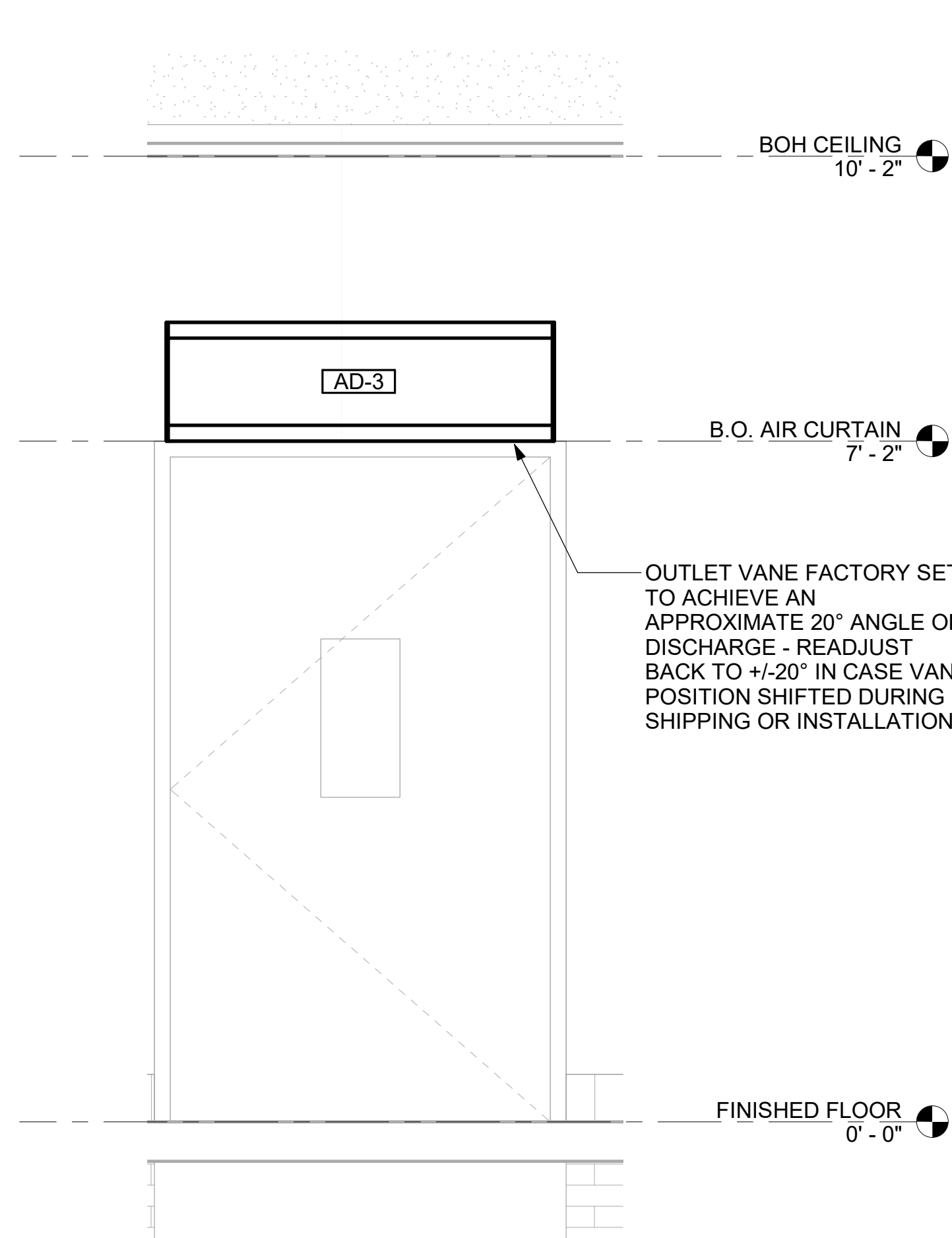
2 AD#1 FRONT VIEW
3/4" = 1'-0"



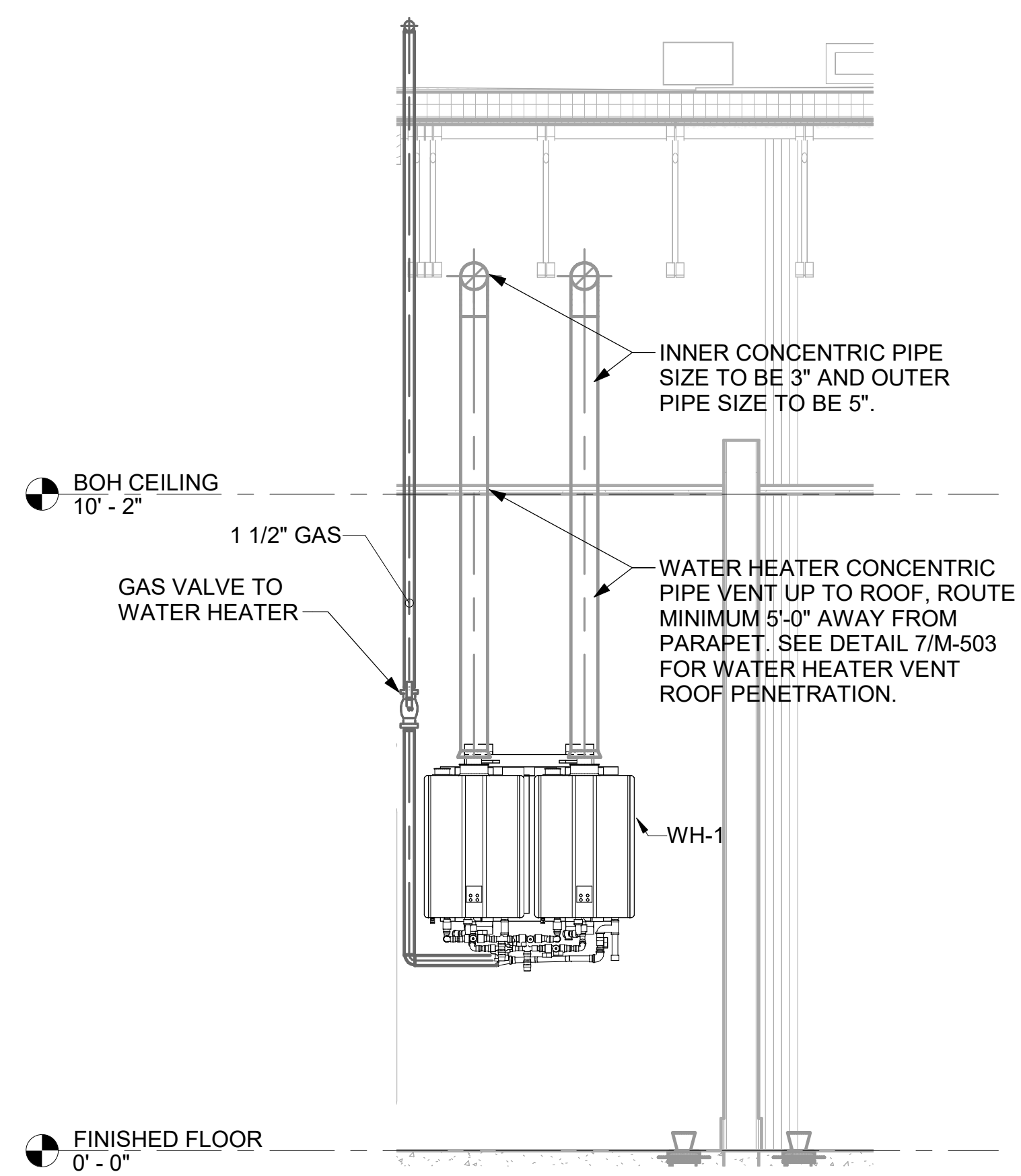
3 AD#1 SIDE VIEW
3/4" = 1'-0"



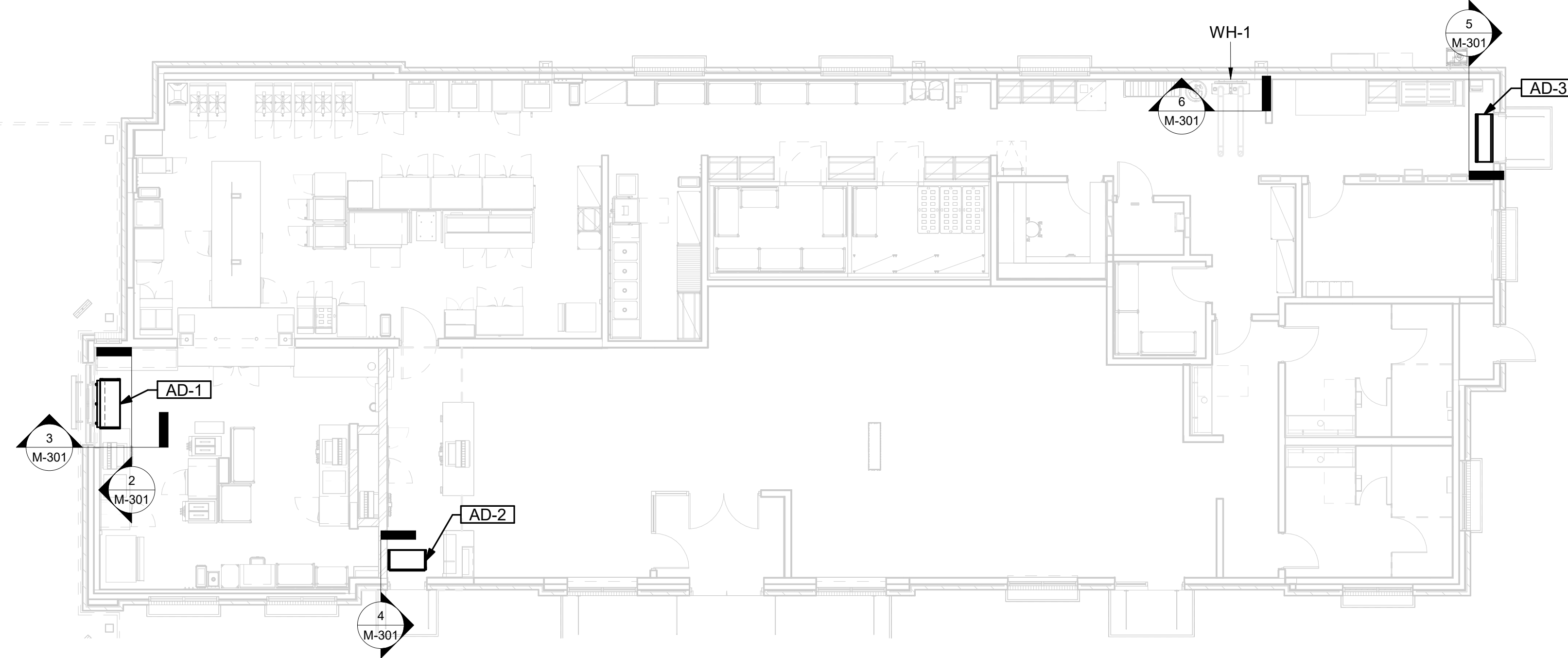
4 AD#2 SIDE VIEW
3/4" = 1'-0"



5 AD#3 FRONT VIEW
3/4" = 1'-0"



6 WATER HEATER GAS PIPING AND VENTING
NOT TO SCALE

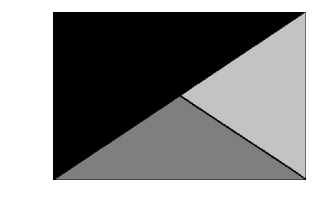


1 VARIOUS SECTIONS
1/8" = 1'-0"



Chick-fil-A

Chick-fil-A
5200 Buffington Road
Atlanta, Georgia
30349-2998



Kurzynske
& Associates
2705 Lebanon Pike - Suite One
Nashville, Tennessee 37214
Telephone: (615) 255-5203



CHICK-FIL-A
Hamilton & Wesley FSU
820 Hamilton Blvd
Sioux City, IA 51103

FSR#05702
BUILDING TYPE / SIZE: P14 LE BN
RELEASE: 24.08
PRINTED FOR:
ISSUE FOR CONSTRUCTION
REVISION SCHEDULE
NO. DATE DESCRIPTION
3 12/27/2024 Issue for Construction

ISSUE FOR CONSTRUCTION

CONSULTANT PROJECT # 24040.CD.S
DATE 12/27/2024
DRAWN BY BLM

Information contained on this drawing and in all digital files produced for above named project may not be reproduced in any manner without express written or verbal consent from authorized project representatives.

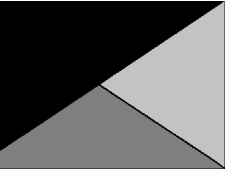
SHEET SECTIONS

SHEET NUMBER
M-301

Autodesk Docs://IA_05702_Hamilton & Wesley (IA) FSU_2024_1_FSR05702_Hamilton & Wesley (IA) FSU_MEC.rvt
12/23/2024 10:53:40 AM
30-LE-05702-M-301-SECTIONS



Chick-fil-A
5200 Buffington Road
Atlanta, Georgia
30349-2998



Kurzynske & Associates
2705 Lebanon Pike - Suite One
Nashville, Tennessee 37214
Telephone: (615) 255-5203



12/27/24

CHICK-FIL-A
Hamilton & Wesley FSU

820 Hamilton Blvd
Sioux City, IA 51103

FSR#05702

BUILDING TYPE / SIZE: P14 LE BN
RELEASE: 24.08
PRINTED FOR:
ISSUE FOR CONSTRUCTION
REVISION SCHEDULE

NO.	DATE	DESCRIPTION
3	12/27/2024	Issue for Construction

ISSUE FOR CONSTRUCTION

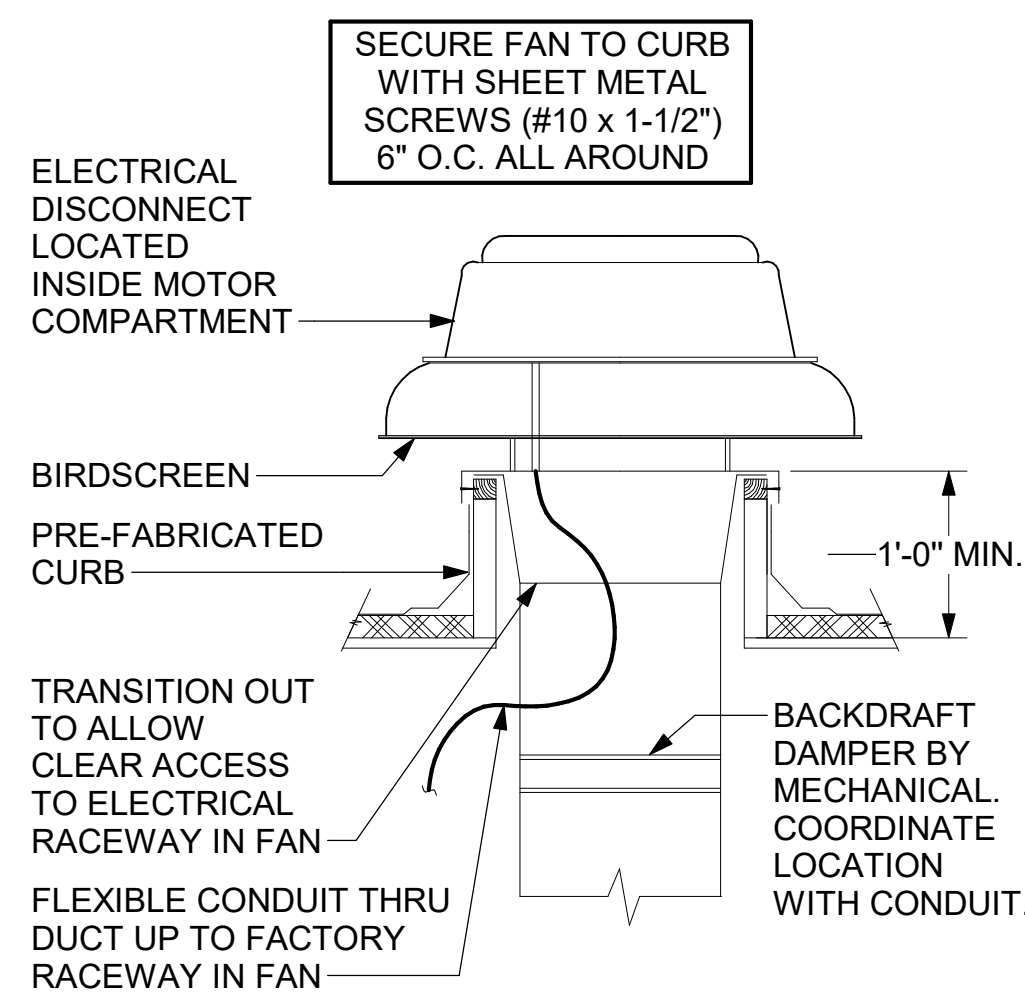
CONSULTANT PROJECT # 24040.CD.S
DATE 12/27/2024
DRAWN BY BLM

Information contained on this drawing and in all digital files produced for above named project may not be reproduced in any manner without express written or verbal consent from authorized project representatives.

SHEET DETAILS

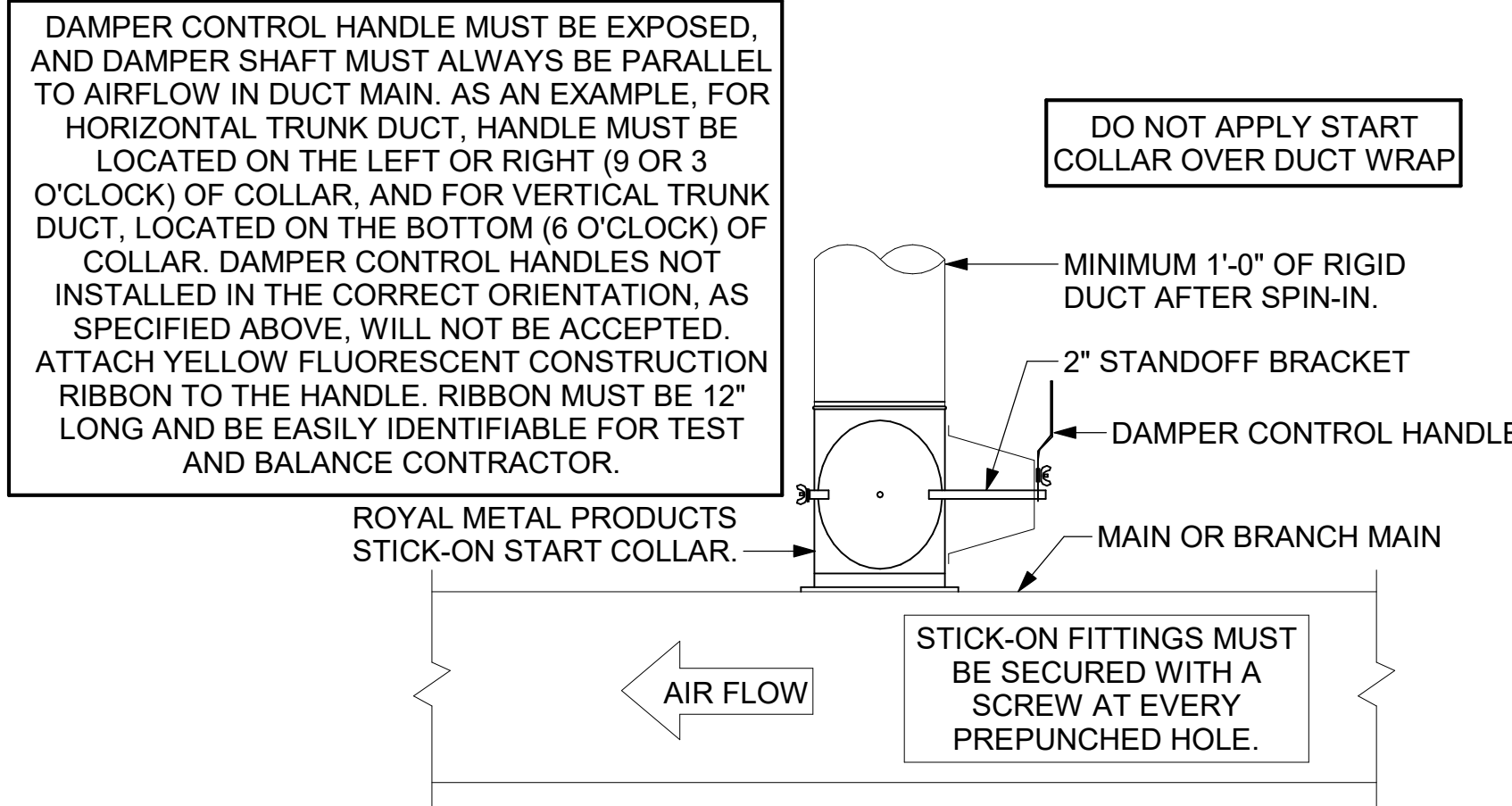
SHEET NUMBER

M-501

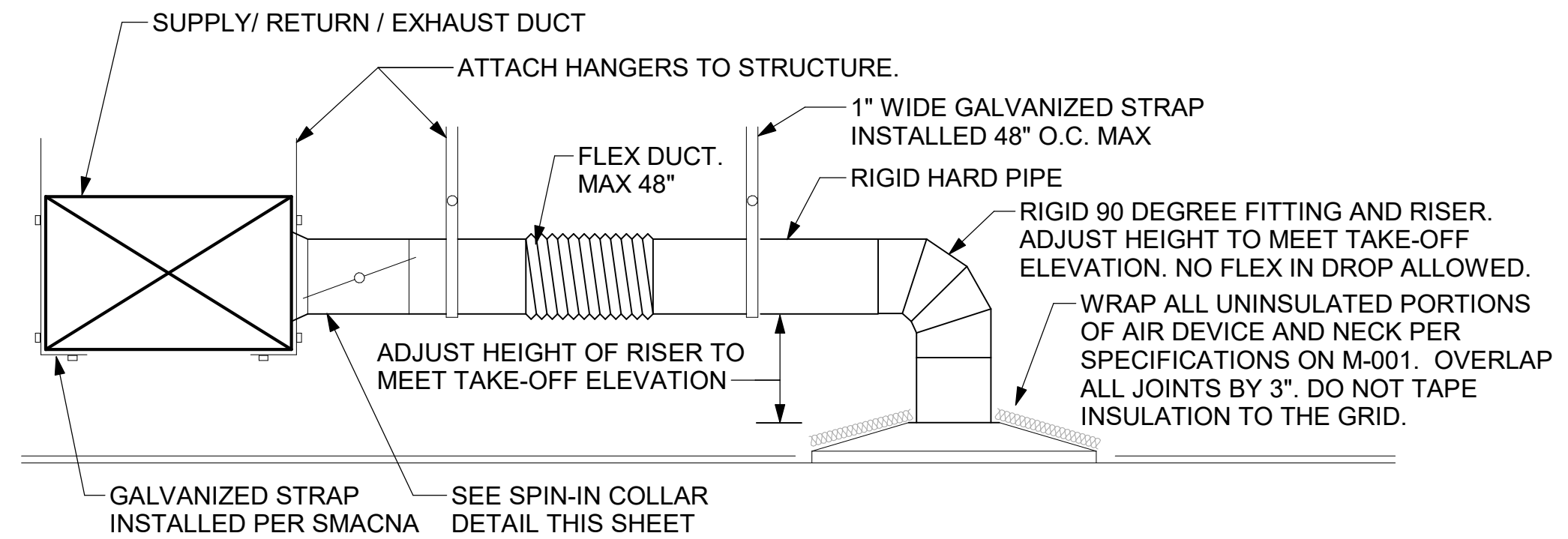


3 RESTROOM EXHAUST FAN
NTS

CHICK-FIL-A HAS A NATIONAL ACCOUNT WITH TOM BARROW COMPANY FOR THE ROYAL METAL PRODUCTS START COLLARS FOR BOTH WITH AND WITHOUT A MANUAL BALANCING DAMPER. THE MECHANICAL CONTRACTOR IS REQUIRED TO PURCHASE THE ROYAL METAL PRODUCTS START COLLARS DIRECTLY FROM TOM BARROW COMPANY. CONTACT MR. SCOTT GEORGE AT 404-351-1010 FOR PRICING AND AVAILABILITY. ROYAL METAL PRODUCTS START COLLARS NOT PURCHASED THRU TOM BARROW COMPANY WILL NOT BE ACCEPTED.



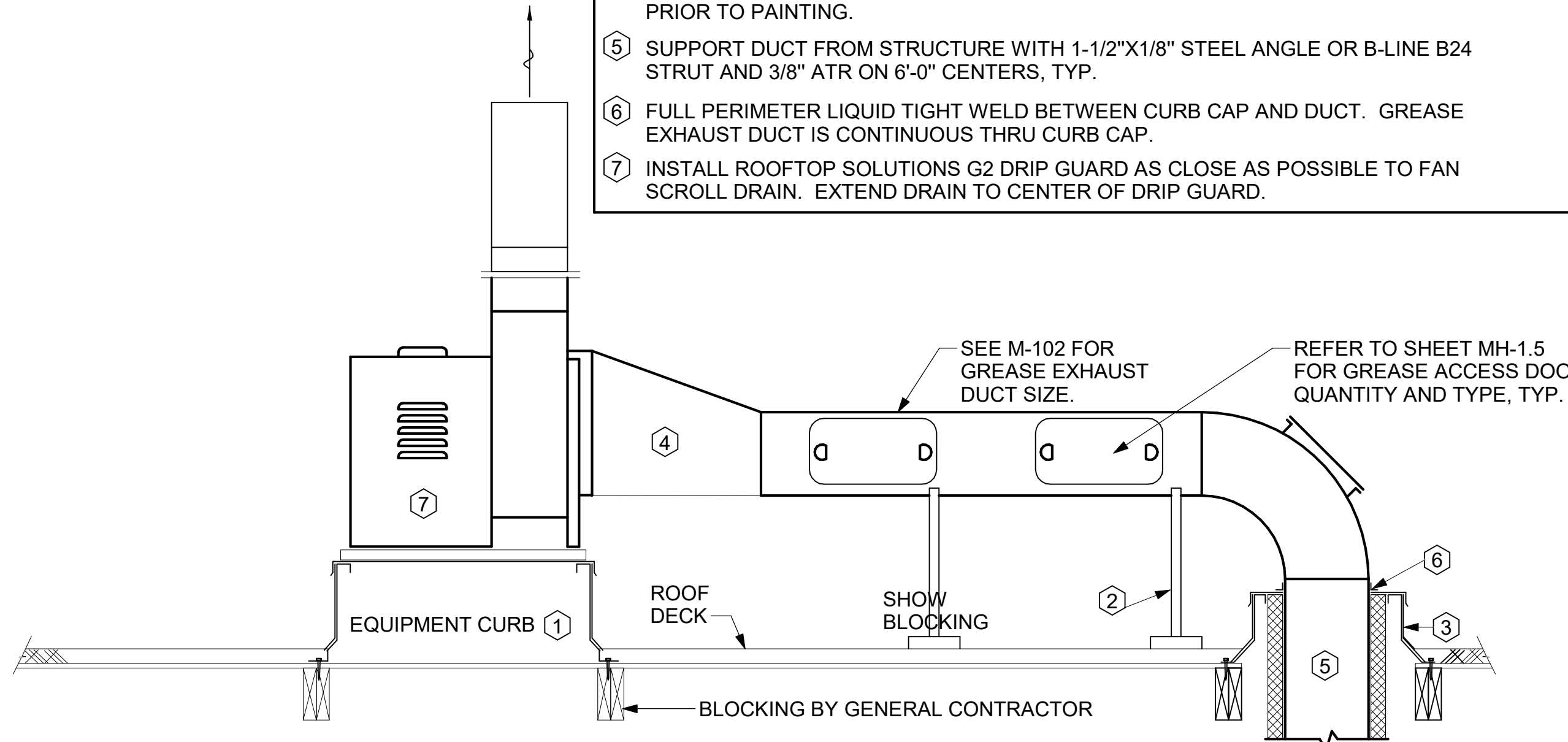
2 START COLLAR
NTS



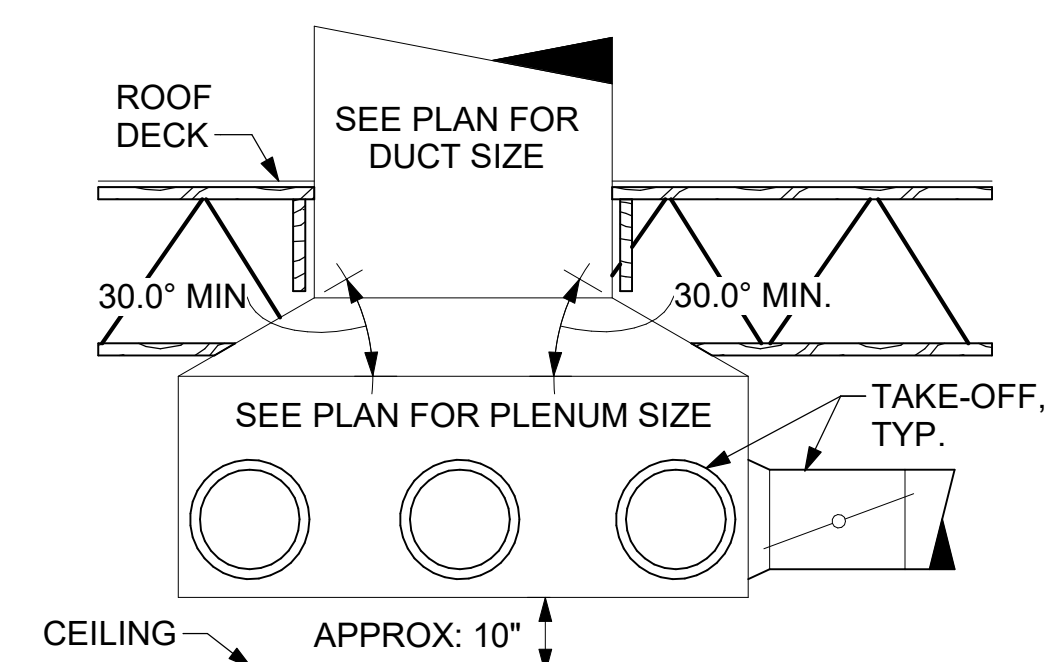
1 SAG/RAG/GRILLE TAKE-OFF
NTS

KEYED NOTES:

- 22" EQUIPMENT CURB FURNISHED BY HALTON.
- DUCT SUPPORT SHALL BE PROVIDED EVERY 8', AND WITHIN 12" OF ANY FITTING OR WELD SEAM. SUPPORTS SHALL BE SECURELY ATTACHED TO THE STRUCTURE AND DESIGNED TO CARRY GRAVITY, WIND, AND SEISMIC LOADS PER CODE.
- 12" HIGH INSULATED CURB FURNISHED BY HALTON. MECHANICAL CONTRACTOR TO PROVIDE MINIMUM 18 GA STAINLESS STEEL CURB CAP AND FLASHING.
- ALL DUCTWORK AND UNFINISHED METAL ON ROOF EXCEPT STAINLESS SHALL BE PREPARED WITH TWO COATS OF SHERWIN WILLIAMS B66-200 SERIES DTM WHITE ACRYLIC SEMI-GLOSS INDUSTRIAL MAINTENANCE COATING. DEGREASE AND PRIME BARE METAL SURFACE WITH ONE COAT OF SHERWIN WILLIAMS DTM ACRYLIC PRIMER PRIOR TO PAINTING.
- SUPPORT DUCT FROM STRUCTURE WITH 1-1/2"x1/8" STEEL ANGLE OR B-LINE B24 STRUT AND 3/8" ATR ON 6'-0" CENTERS, TYP.
- FULL PERIMETER LIQUID TIGHT WELD BETWEEN CURB CAP AND DUCT. GREASE EXHAUST DUCT IS CONTINUOUS THRU CURB CAP.
- INSTALL ROOFTOP SOLUTIONS G2 DRIP GUARD AS CLOSE AS POSSIBLE TO FAN SCROLL DRAIN. EXTEND DRAIN TO CENTER OF DRIP GUARD.



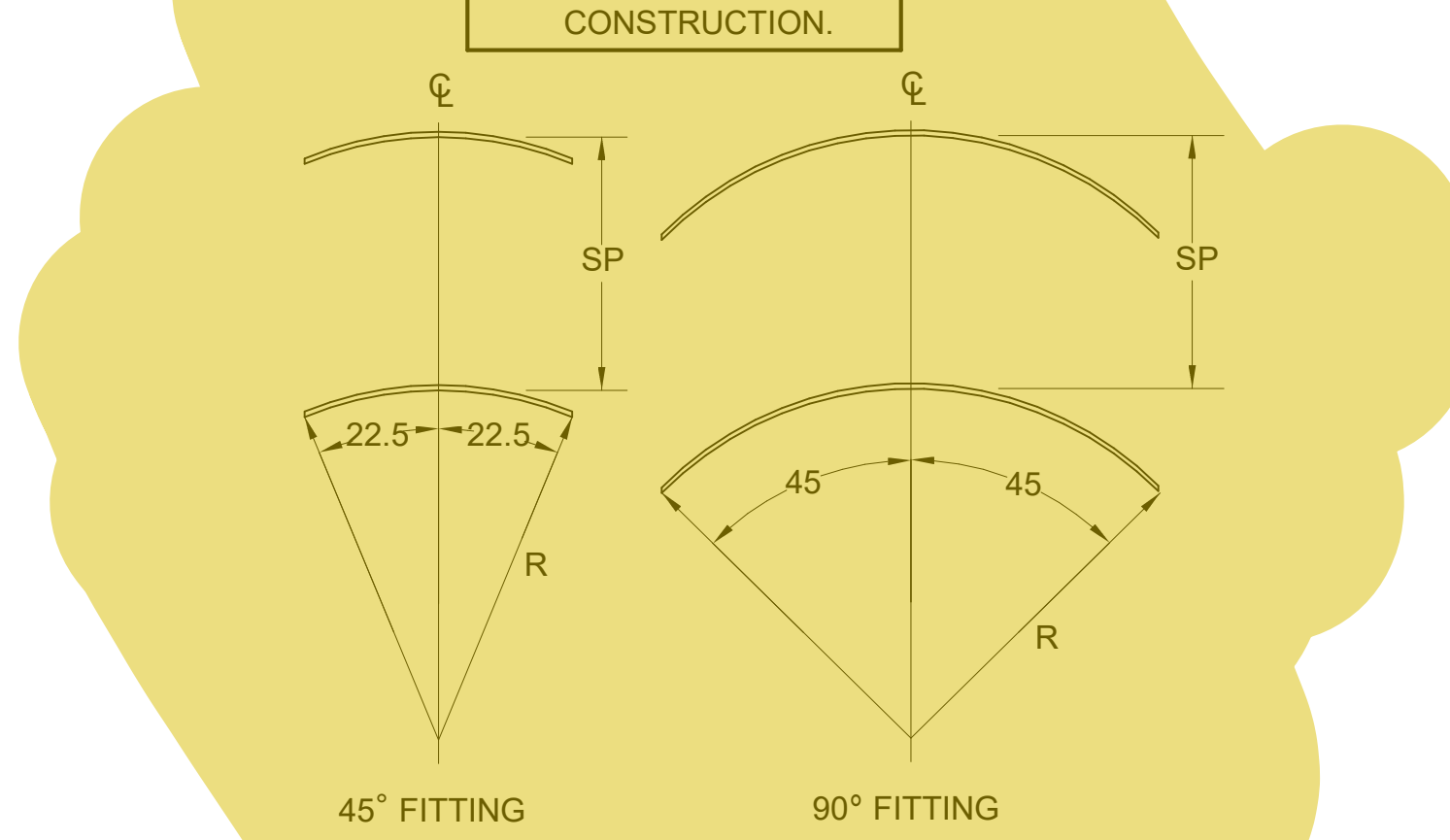
6 KITCHEN HOOD EXHAUST FAN
NTS



5 RETURN DROP GEOMETRY
NTS

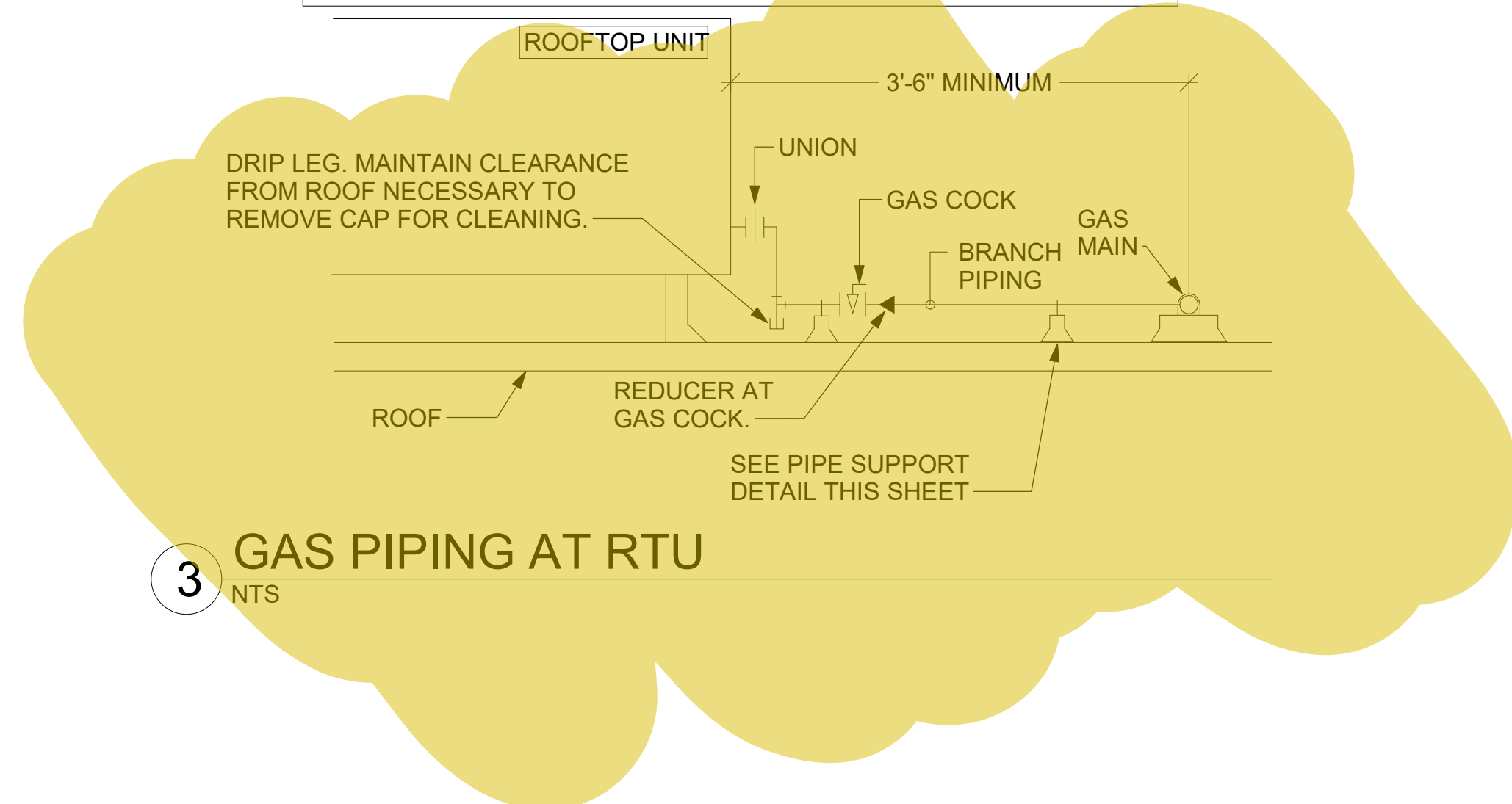
TURNING VANE SCHEDULE		
R	SP	GA
2"	1.5"	24

1. NO TRAILING EDGE. SINGLE THICKNESS CONSTRUCTION.

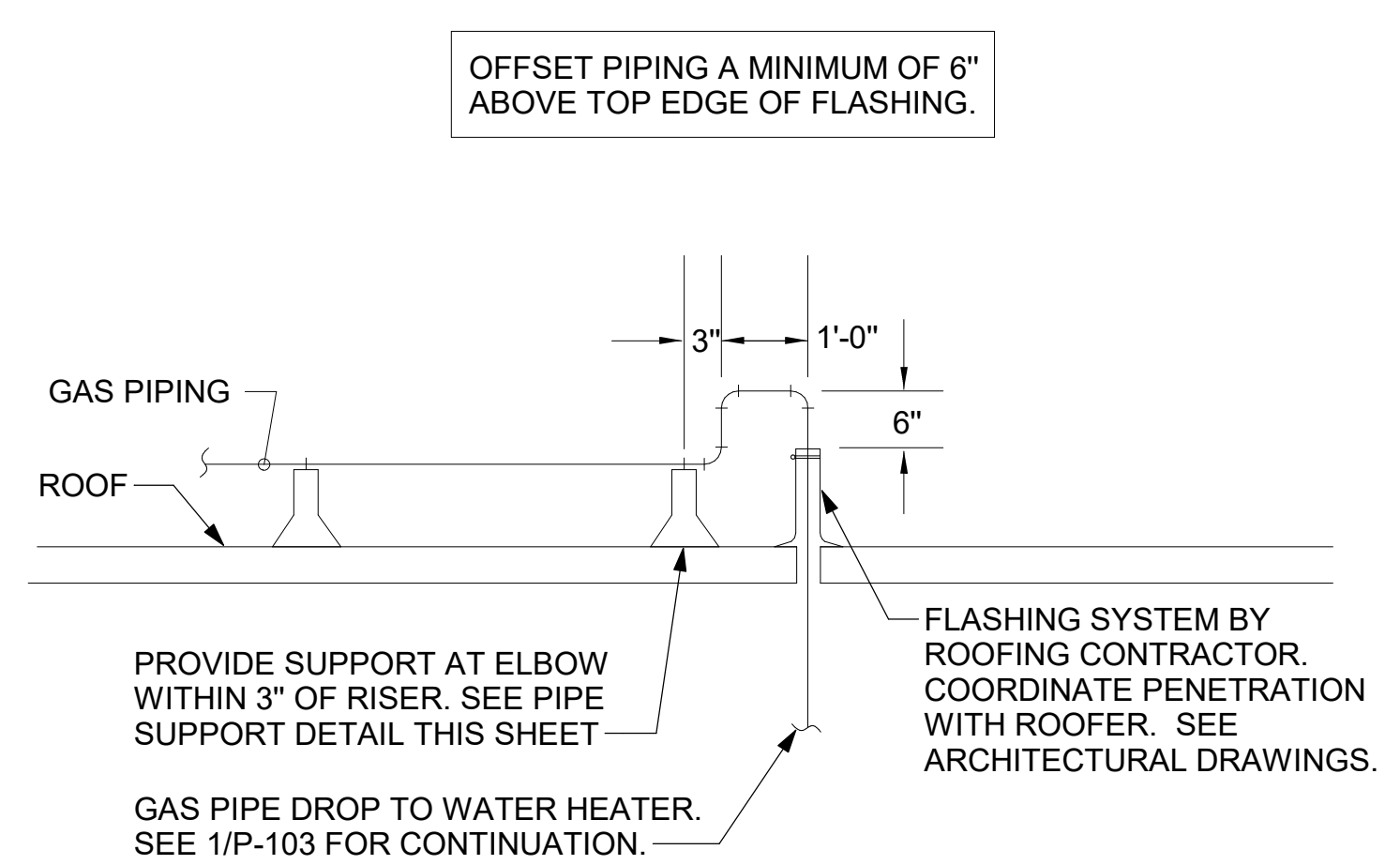


4 TURNING VANES
NTS

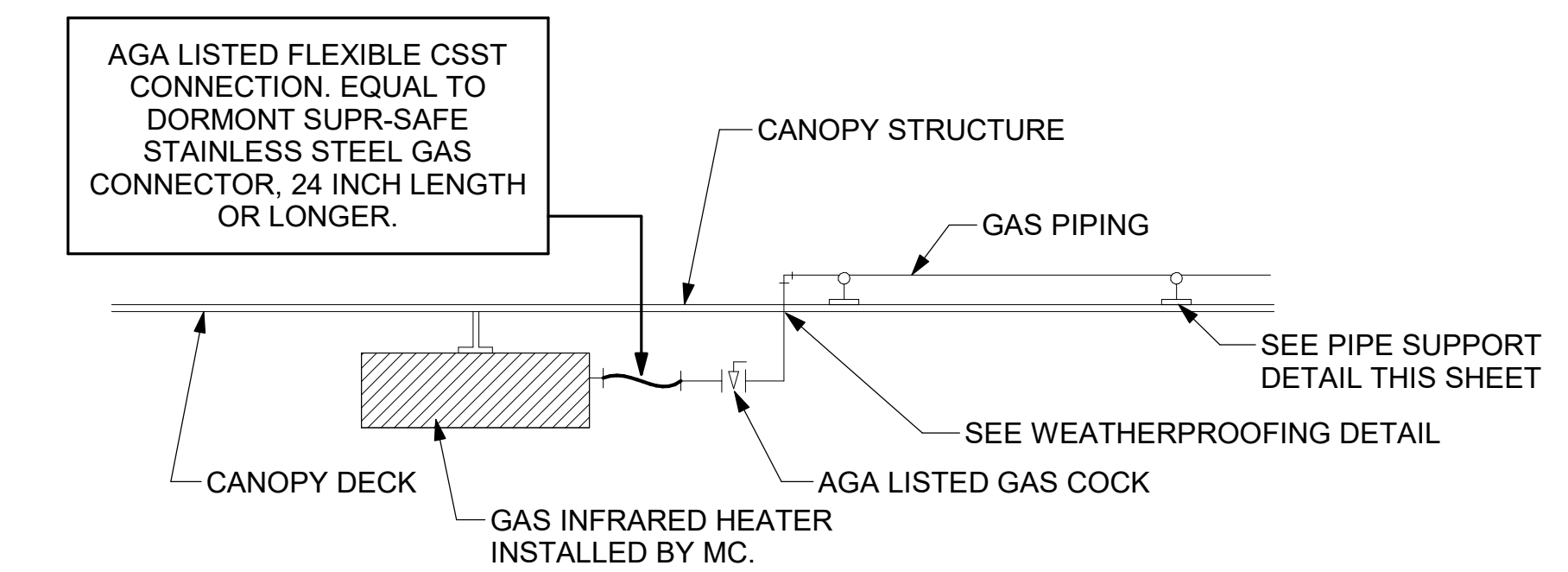
- NOTES:**
1. INSTALL GAS PIPING SUCH THAT HVAC EQUIPMENT ACCESS PANELS AND/OR DOORS ARE IN NO WAY OBSTRUCTED BY PIPING, VALVES, OR SUPPORTS.
 2. TO AVOID CONFLICT WITH AC UNIT ACCESS DOORS, INSTALL GAS PIPING NO CLOSER THAN 3'-6" FROM AC UNIT. (EXCEPT FOR BRANCH LINE CONNECTED TO AC UNIT.)
 3. ROUTE BRANCH TAKE-OFF DIRECTLY FROM MAIN TO ROOFTOP UNIT AS SHOWN ON PLAN AND DETAILS WITHOUT LATERAL OFFSETS WHICH MAY OBSTRUCT UNIT ACCESS DOORS.



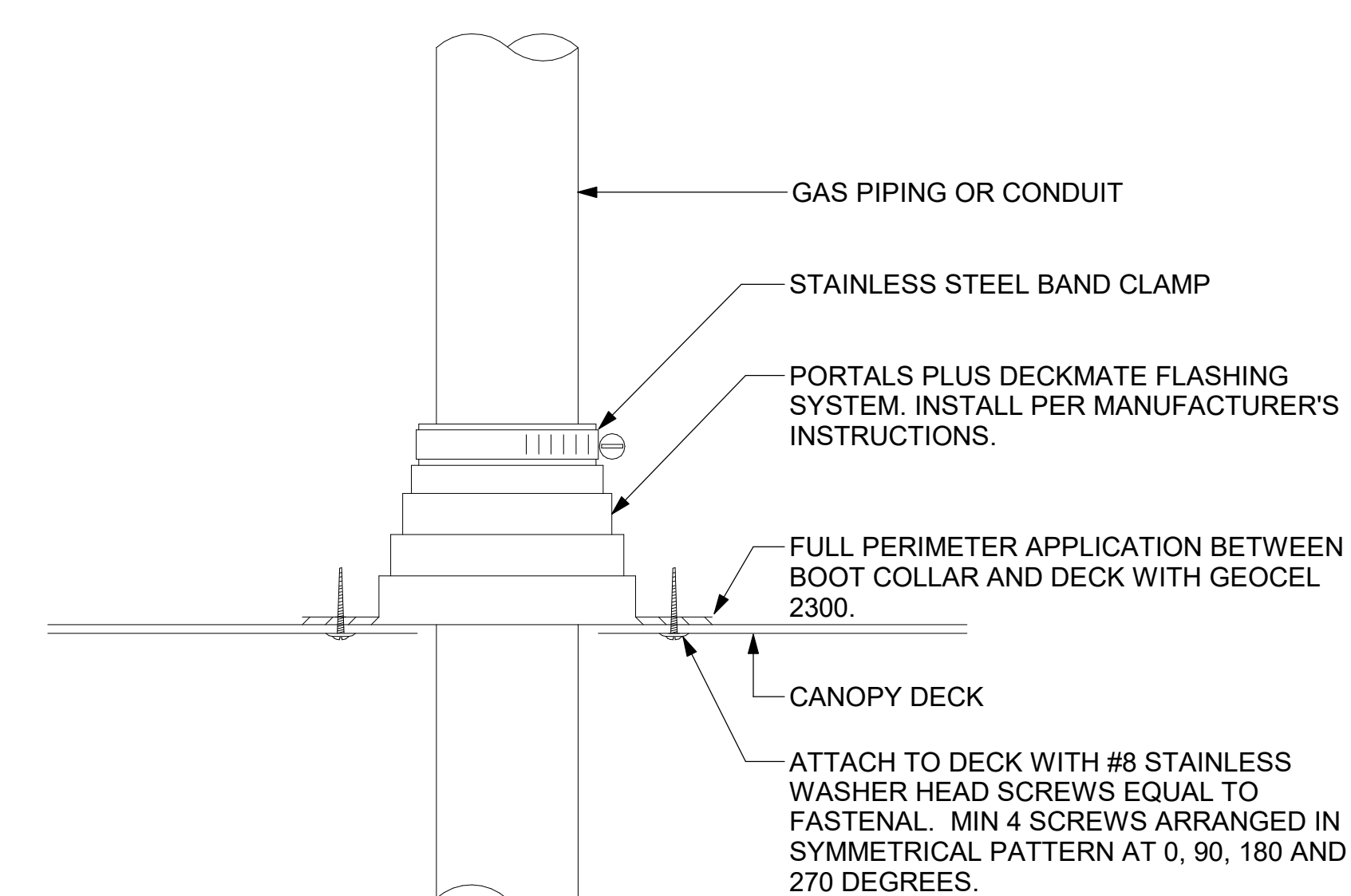
3 GAS PIPING AT RTU
NTS



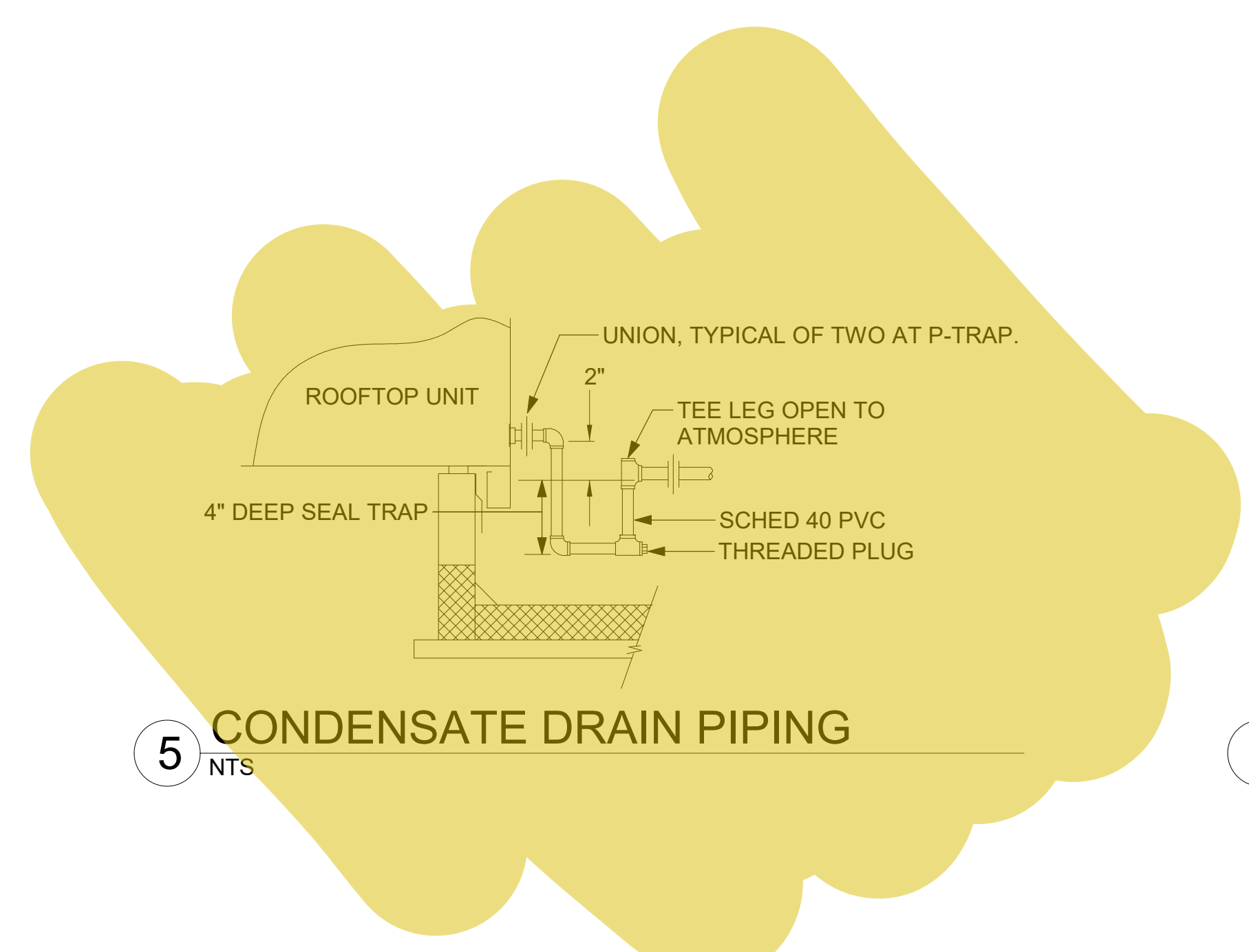
2 GAS PIPE DROP TO WATER HEATER
NTS



1 GAS CONNECTION AT APPLIANCE
NTS

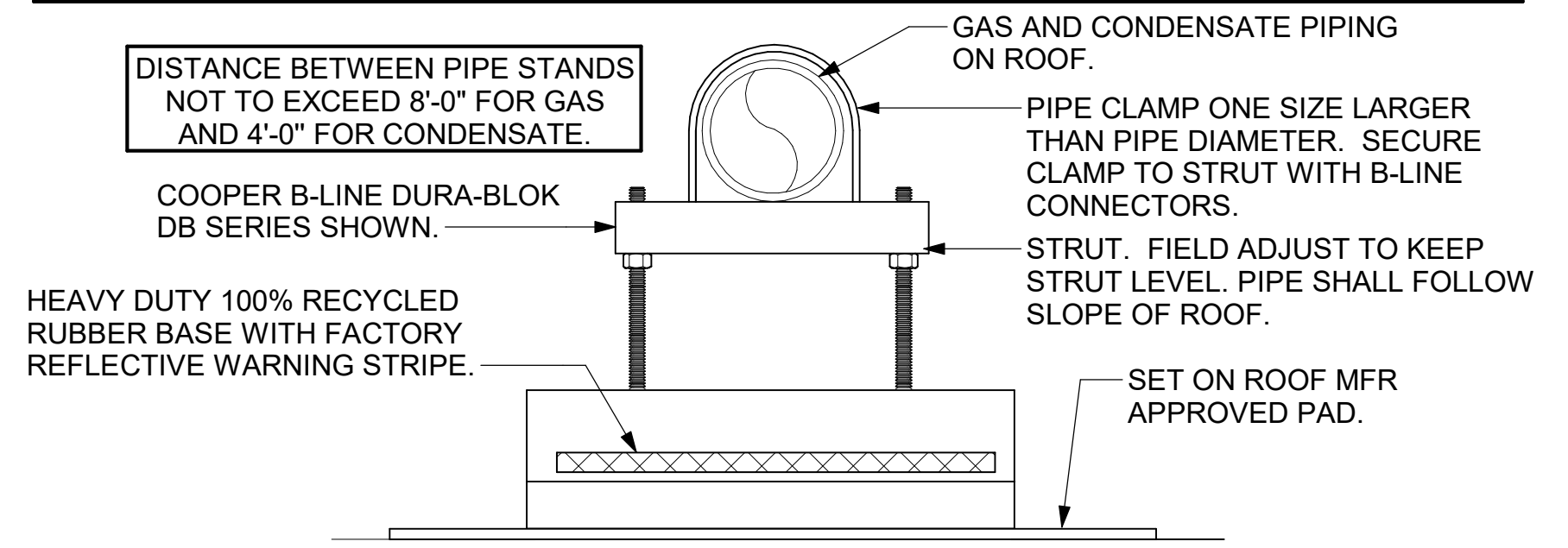


6 WEATHERPROOFING AT CANOPY PENETRATION
NTS

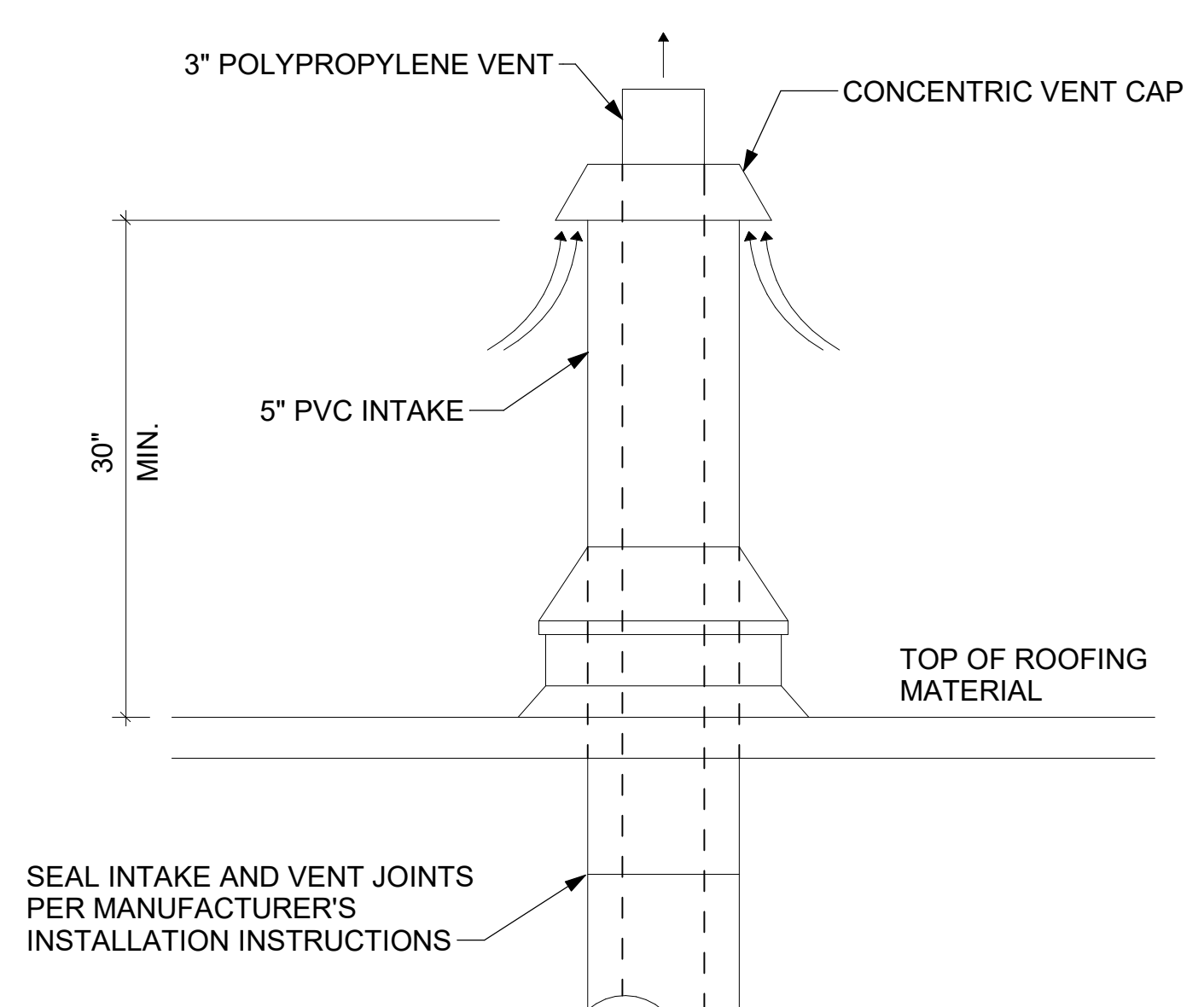


5 CONDENSATE DRAIN PIPING
NTS

- NOTES:**
1. NON ADJUSTABLE MODEL DB610 PIPE STAND TO BE USED FOR NON-ELEVATED PIPING INSTALLED FLAT ON ROOF DECK.
 2. PROVIDE MODEL DBE 10-8 OR DBE 10-12 OR DBE 10-16 AS NEEDED FOR ELEVATING CONDENSATE PIPING TO MAINTAIN PROPER SLOPE AND FOR GAS PIPING CROSSING OVER CONDENSATE PIPING.
 3. ENSURE GAS AND CONDENSATE PIPING DO NOT OBSTRUCT ROOFTOP EQUIPMENT ACCESS OPENINGS. RE-PIPING OF SYSTEMS DUE TO CONFLICTS WITH EQUIPMENT ACCESS OPENINGS SHALL BE DONE AT PLUMBING CONTRACTOR'S EXPENSE.



4 PIPING SUPPORT ON ROOF
NTS

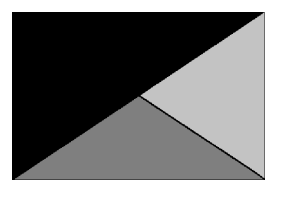


7 WATER HEATER ROOF VENT PENETRATION
NTS



Chick-fil-A

Chick-fil-A
5200 Buffington Road
Atlanta, Georgia
30349-2998



Kurzynske & Associates
2705 Lebanon Pike - Suite One
Nashville, Tennessee 37214
Telephone: (615) 255-5203



12/27/24

CHICK-FIL-A
Hamilton & Wesley FSU

820 Hamilton Blvd
Sioux City, IA 51103

FSR#05702

BUILDING TYPE / SIZE: P14 LE BN
RELEASE: 24.08
PRINTED FOR: ISSUE FOR CONSTRUCTION
REVISION SCHEDULE

NO.	DATE	DESCRIPTION
3	12/27/2024	Issue for Construction

ISSUE FOR CONSTRUCTION

CONSULTANT PROJECT # 24040.CD.S
DATE 12/27/2024
DRAWN BY BLM

Information contained on this drawing and in all digital files produced for above named project may not be reproduced in any manner without express written or verbal consent from authorized project representatives.
SHEET
DETAILS

M-502

ROOFTOP UNIT SCHEDULE - TRANE

MARK	MANUFACTURER	MODEL	EER	IEER / SEER	TOTAL WEIGHT	SUPPLY (CFM)	OA (CFM)	HP	ESP (in-wg)	TOTAL COOLING MBH	SENSIBLE COOLING MBH	HEATING INPUT MBH	HEATING OUTPUT MBH	VOLTAGE (V)	PHASE	MCA (A)	MOCP (A)	REMARKS
AC-1T	TRANE	YSK300A3	9.8	13	2731.00 lb	8,125	1,750	3	0.8	267.9	189.8	400	324	208	3	124	150	1,3,4,5,6,7,8,9,10,11,12,13,14,15
AC-2T	TRANE	YSK150A3	10.8	14	1639.00 lb	4,375	1,075	4.6	0.8	140.8	100.7	250	202.5	208	3	73	100	1,3,4,5,6,7,8,9,10,11,12,13,14,15
AC-3T	TRANE	YSK180A3	10.8	14	2581.00 lb	5,250	1,500	3	0.8	178.7	130.4	400	324	208	3	85	110	1,3,4,5,6,7,8,9,10,11,12,13,14,15
AC-4T	TRANE	YHK080A3	12.2	16.4	1186.00 lb	1,750	425	3	0.8	59.4	42.2	150	121.5	208	3	34	45	2,3,4,5,6,7,8,9,10,11,12,13,14,15

NOTES

- MECHANICAL CONTRACTOR TO VERIFY TRANE SUBMITTAL WITH CONSTRUCTION DOCUMENTS. NATIONAL ACCOUNTS - NO SUBSTITUTIONS PERMITTED - SEE DRAWING G-004.

REMARKS

- DIFFERENTIAL ENTHALPY ECONOMIZER WITH POWER EXHAUST.
- DIFFERENTIAL ENTHALPY ECONOMIZER WITH BAROMETRIC EXHAUST.
- 14" HIGH ROOF CURB.
- SEE DETAIL 2/M-701T FOR SETTING OF CONTROL PARAMETERS BY MC.
- FACTORY INSTALLED 115V GFI SERVICE OUTLET. SEPERATE 115V CIRCUIT PROVIDED BY ELECTRICAL CONTRACTOR.
- FACTORY INSTALLED RETURN AIR SMOKE DETECTOR.
- 2" MERV 8 THROW AWAY FILTERS.
- HINGED PANELS FOR ACCESS TO FILTER(S), FAN BLOWER & MOTOR, COMPRESSOR(S) ACCESS AND CONTROLS.
- FACTORY INSTALLED COIL HAIL GUARD.
- FACTORY INSTALLED CONDENSATE PAN DRAIN OVERFLOW SWITCH.
- HOT GAS DEHUMIDIFICATION OPTION WITH WALL MOUNTED HUMIDITY SENSOR.
- FACTORY CONFIGURED PHASE LOSS PROTECTION.
- FACTORY HIGH FAULT (6SK) SOCR AND FACTORY CIRCUIT BREAKER.
- FRESH AIR TEMPERING KIT.
- FACTORY STAINLESS STEEL HEAT EXCHANGER.

HOOD SCHEDULE

MARK	MANUFACTURER	MODEL	EXHAUST CFM	SP @ TAB PORT (in-wg)	CAPTURE JET CFM & S.P.	TYPE	COLLAR SIZE	WIDTH	DEPTH	HEIGHT	REMARKS
HOOD-1L	HALTON	KVL-2 IC	1,204	0.13	80 @ 0.30"	BACKSHELF	14"X8"	107"	37"	38"	1
HOOD-1R	HALTON	KVL-2 IC	709	0.13	47 @ 0.30"	BACKSHELF	8"X8"	63"	37"	38"	1
HOOD-2	HALTON	KVL-C IC	701	0.3	30 @ 0.29"	BACKSHELF	8"X8"	45"	34"	38"	1
HOOD-3	HALTON	KVL-C IC	701	0.3	30 @ 0.29"	BACKSHELF	8"X8"	42"	34"	38"	1

NOTES

DIMENSIONS OF HOODS INCLUDE BACK AND SIDE SPACERS (HEIGHT DOES NOT INCLUDE CLOSURE PANELS). NATIONAL ACCOUNTS - NO SUBSTITUTIONS PERMITTED - SEE DRAWING G-004.

REMARKS

- REFER TO HOOD SHOP DRAWINGS FOR HOOD CONSTRUCTION AND OPTIONS. PRELIMINARY HOOD SHOP DRAWINGS ARE INCLUDED FOR REFERENCE ON SHEETS MH-1.1, MH-1.2, AND MH-1.3.

HEATER SCHEDULE

MARK	MANUFACTURER	MODEL	HEATING INPUT		FRAME LENGTH	FRAME WIDTH	FRAME DEPTH	MOUNTING TYPE	VOLTAGE (V)	PHASE	FLA (A)	MOCP (A)	REMARKS
			ELECTRIC (KW)	GAS (MBH)									
EIH-1	BROMIC	BH0420035	6.00	0.0	56"	8.5"	3.5"	WALL BRACKET	208	1	28.9	40	1, 2, 3, 4
IRH	SPACE-RAY	WB50	0.00	50.0	48"	13.4"	13.4"	BRACKET	120	1	0.4	20	1, 5, 6, 7

NOTES

- NATIONAL ACCOUNT NO SUBSTITUTIONS PERMITTED - SEE DRAWING G-004.
- CONFIRM HEATER QUANTITY WITH CANOPY SHOP DRAWINGS.

REMARKS

- STAINLESS STEEL LENS WITH BLACK EMISSIVE COATING.
- PROVIDE ENGRAVED PLASTIC LABEL AT EACH UNIT WITH UNIT DESIGNATION IN 1" HIGH WHITE LETTERS ON A BLACK BACKGROUND.
- PROVIDE BLACK HEATER WITH HIGH TEMPERATURE COATING, AND MANUFACTURER MOUNTING BRACKETS.
- PROVIDE BROMIC WALL MOUNTED ELECTRIC HEATER MODEL: BH0420033 FOR 220-240V SITES.
- STEEL BURNER WITH CERAMIC BURNER TILES.
- PROVIDE ENGRAVED PLASTIC LABEL AT EACH UNIT WITH UNIT DESIGNATION IN 1" HIGH WHITE LETTERS ON A BLACK BACKGROUND. MOUNT TO CANOPY DECK, FACING FORWARD, 12" Laterally FROM THE LONG SIDE OF THE HEATER.
- STAINLESS STEEL HEAT SHIELDS.

FAN SCHEDULE

MARK	AREA SERVED	MANUFACTURER	MODEL	TOTAL WEIGHT	FAN CFM	ESP (in-wg)	MOTOR RPM	HP	VOLTAGE (V)	PHASE	FLA (A)	MOCP (A)	REMARKS
CF-1	OUTDOOR CANOPY	TPI	U-18-TE-HD	20.00 lb	1,900	0.010	1,625	0.100	120	1	1.1	20	20,21,22
EF-1	HOOD#1	HALTON	KEFB-14-CFA	393.00 lb	1,913	0.750	1,331	0.750	120	1	13.8	25	1,2,3,4,5,6,7,8,9,10,11
EF-2	HOOD#2 & HOOD#3	HALTON	KEFB-14-CFA	393.00 lb	1,402	0.950	1,199	0.750	120	1	13.8	25	1,2,3,4,5,6,7,8,9,10,11
EF-3	RESTROOMS	ACCUREX	XRED-095-VG	49.00 lb	300	0.375	1,550	0.125	120	1	2.2	20	1,3,11,12,13,14,15,16
TF-1	TECH CLOSET	GREENHECK	SP-A510-VG	33.00 lb	450	0.300	1,144	0.127	120	1	2.5	20	1,17, 18, 19

NOTES

- NATIONAL ACCOUNT - NO SUBSTITUTIONS PERMITTED.

REMARKS

- FANS SUPPLIED BY HALTON.
- U.L. 705 LISTED AND LABELED FOR RESTAURANT APPLICATIONS.
- FACTORY INSTALLED PREWIRED DISCONNECT SWITCH.
- 22" HIGH ROOF CURB.
- INSTALL ROOFTOP SOLUTIONS G2 DRIP GUARD. MECHANICAL CONTRACTOR TO CONTACT ROOFTOP SOLUTIONS AT 800-913-7034.
- FACTORY WEATHER HOUSING W/ HINGED ACCESS DOOR.
- FACTORY DRAIN CONNECTION.
- FACTORY BOLTED ACCESS DOOR ON SCROLL.
- FACTORY INSTALLED BELT DRIVE WITH ADJUSTABLE MOTOR SHEAVE, SPARE BELT, AND BELT TENSIONER.
- FACTORY INSTALLED OUTLET WITH QUICK RELEASE, HINGED ACCESS, AND GRAVITY BACKDRAFT DAMPER.
- INTEGRAL THERMAL OVERLOAD.
- BIRDSCREEN.
- BACKDRAFT DAMPER IN DUCT BY MECHANICAL CONTRACTOR AS SHOWN ON 3/M-501.
- STARTER BY ELECTRICAL CONTRACTOR. INTERLOCK WITH LIGHTS BY ELECTRICAL CONTRACTOR.
- 12" HIGH CURB.
- FACTORY INSTALLED AND WIRED SPEED CONTROLLER.
- PROVIDE NEMA 1 PREWIRED DISCONNECT.
- INTEGRAL POTENTIOMETER ON FAN MOTOR. SET TO FULL SPEED.
- PROVIDE THERMOSTAT THERMOSTAT / TEMPERATURE CONTROLLER. SET TO 76°F.
- INSTALL PER MANUFACTURER'S RECOMMENDATIONS.
- PROVIDE WITH ON/OFF SWITCH.
- FAN SUPPLIED BY TOM BARROR OR POWERS OF ARKANSAS FOR SOUTHWEST REGION.

AIR DOOR SCHEDULE

MARK	AREA SERVED	MANUFACTURER	MODEL	CFM	VELOCITY (FPM)	HEATING (KW)	MOTOR HP	MCA (A)	MOCP (A)	VOLTAGE (V)	PHASE	REMARKS
AD-1	DRIVE THRU	POWERED AIRE	CHA-1-48E	1,543	2,338	10	0.75	31.4	40	208	3	1,2,3,5
AD-2	SERVING	POWERED AIRE	ETA-1-36E	1,197	2,443	10	0.75	31.4	40	208	3	3,4,6
AD-3	REAR DOOR	POWERED AIRE	RBT-1-48	3,867	4,218	0	0.75	8	20	120	1	4

NOTES

- NATIONAL ACCOUNT - NO SUBSTITUTIONS PERMITTED - SEE DRAWING G-004

REMARKS

- FACTORY PROVIDED, WIRED, AND UNIT MOUNTED SPEED CONTROLLER ABOVE CEILING.
- FACTORY WIRED DISCONNECT.
- FACTORY PROVIDED, FIELD INSTALLED BY MC, REMOTE WALL SWITCHES FOR HEATING ON/OFF AND FAN ON/AUTO SWITCH. SEE DETAILS ON M-702.
- FACTORY PROVIDED MAGNETIC DOOR CONTACT WITH FACTORY INSTALLED LOW VOLTAGE CONTROLS LOCATED IN AIR DOOR CABINET.
- PROVIDE WITH A DIVERTER BOX. PROVIDE WITH MOUNTING BRACKETS PER MANUFACTURER'S RECOMMENDATIONS.
- PROVIDE WITH NOZZLE EXTENSION. SEE DETAIL 4/M-301.

AIR DEVICE SCHEDULE

MARK	DESCRIPTION	LOCATION	NECK SIZE	FACE SIZE	FRAME TYPE	REMARKS
A	PRICE MODEL APDC ALUMINUM SUPPLY AIR DIFFUSER WITH INDIVIDUALLY ADJUSTABLE CURVED AIR PATTERN CONTROLLERS.	DINING / KITCHEN	VARIES	24"x24"	LAY-IN	1,7
B	VARITHERM PLAQUE DIFFUSER	OFFICE	8"	24"x24"	LAY-IN	1,7,8
C	PRICE MODEL SMCD STEEL SUPPLY AIR DIFFUSER FIELD ADJUSTABLE AIR PATTERN CONTROLLERS.	ENTRY	14"x14"	16"x16"	BEVELLED	1,3,5,6
D	PRICE MODEL APDC ALUMINUM SUPPLY AIR DIFFUSER WITH INDIVIDUALLY ADJUSTABLE CURVED AIR PATTERN CONTROLLERS.	SERVING	VARIES	16"x16"	LAY-IN	1,2,3,5,6
E	PRICE MODEL APDC ALUMINUM SUPPLY AIR DIFFUSER WITH INDIVIDUALLY ADJUSTABLE CURVED AIR PATTERN CONTROLLERS.	DINING	6"	12"x12"	LAY-IN	1,2,3,5,6
F	PRICE MODEL 80 EGGCRATE RETURN AIR GRILLE WITH REMOVABLE WHITE CORE, FACTORY FLAT BLACK BACKPAN AND ROUND NECK.	DINING / KITCHEN / MFA	VARIES	24"x24"	LAY-IN	1,7
FF	PRICE MODEL 80FF STEEL FILTER RETURN AIR GRILLE WITH REMOVABLE WHITE CORE, FACTORY FLAT BLACK BACKPAN AND 2" FILTER FRAME.	MFA	24"x24"	24"x24"	LAY-IN	1,7
J	PRICE MODEL SMCD STEEL SUPPLY AIR DIFFUSER FIELD ADJUSTABLE AIR PATTERN CONTROLLERS.	RESTROOMS	VARIES	10"x10"	BEVELLED	1,3,4,5,6
K	PRICE MODEL APDDR ALUMINUM PERFORATED FACE RETURN AIR GRILLE.	RESTROOMS / ENTRY	14"x14"	16"x16"	SURFACE	1,4,5,6

NOTES

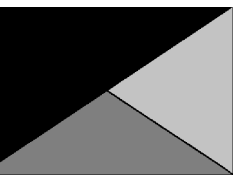
- NATIONAL ACCOUNT - NO SUBSTITUTIONS PERMITTED - SEE DRAWING G-004

REMARKS

- STANDARD OFF WHITE FINISH.
- PROVIDE PRICE MODEL AMF SURFACE MOUNT FRAME.
- SEE DRAWING M-101 FOR THROW.
- PROVIDE FACTORY MOUNTED MODEL VCS3 NECK DAMPER AND FIELD INSTALLED RECTANGULAR TO ROUND TRANSITION.
- PROVIDE BACKPAN. MC TO SEAL JOINTS WITH MASTIC AND INSULATE EXTERNALLY.
- FIELD INSULATE BACKPAN AS SHOWN ON DETAIL 1/M-501.
- FACTORY INSULATED R-6 BACKPAN.
- PROVIDE RELIEF COLLAR ACCESSORY FOR VAV DIFFUSER.



Chick-fil-A
5200 Buffington Road
Atlanta, Georgia
30349-2998



Kurzynske & Associates
2705 Lebanon Pike - Suite One
Nashville, Tennessee 37214
Telephone: (615) 255-5203



1/2/27/24

CHICK-FIL-A
Hamilton & Wesley FSU

820 Hamilton Blvd
Sioux City, IA 51103

FSR#05702

BUILDING TYPE / SIZE: P14 LE BN
RELEASE: 24.08
PRINTED FOR:
ISSUE FOR CONSTRUCTION
REVISION SCHEDULE
NO. DATE DESCRIPTION
3 12/27/2024 Issue for Construction

ISSUE FOR CONSTRUCTION

CONSULTANT PROJECT # 24040.CD.S
DATE 12/27/2024
DRAWN BY BLM

Information contained on this drawing and in all digital files produced for above named project may not be reproduced in any manner without express written or verbal consent from authorized project representatives.

SHEET
EQUIPMENT SCHEDULES
- TRANE

SHEET NUMBER

M-601T

General		Ventilation													Exhaust										
Room #	Room Name	Area Az ft2	People			Area					Breathing Zone Outdoor Airflow CFM	Zone Air Distribution Effectiveness Ez	Zone Outdoor Airflow CFM Voz	Primary Zone Airflow CFM Vpz	Primary Outdoor Air Fraction Zp	Actual Outdoor Airflow CFM	Area			Toilet			Served by		
			Occupant Density People/1,000 ft2	Occupants Pz	Outdoor Airflow Rate CFM/Person Rp	Outdoor Airflow CFM Pz x Rp	Outdoor Airflow Rate CFM/Ra	Outdoor Airflow CFM Az x Ra	Outdoor Airflow Rate CFM/Ra	Outdoor Airflow Rate CFM/Ra							Required Exhaust Rate CFM/Rt2	Total Required Exhaust CFM	Exhaust Control/Operation	Fixture Exhaust Rate CFM/Fixture	Required Fixture Exhaust CFM	Actual Exhaust CFM	Supply	Exhaust	
1	Kitchen	880	20	18	7.5	135	0.12	106	241	0.8	301	7,325	0.04	1,578	0.70	616	-	-	-	-	-	-	-	AC-1L / AC-1T	EF-1 / EF-2
2	Kitchen (Dish Washing)	128	15	2	7.5	15	0.18	23	38	0.8	48	800	0.06	172	-	-	-	-	-	-	-	-	-	AC-1L / AC-1T	-
Total Area		1,008				Total Vbz					279	Total Supply Airflow			8,125	Actual Outdoor Airflow			1,750						
						Diversity (D)			1.00			Maximum Zp			0.06										
						Uncorrected Outdoor Air Intake (You)			279			System Ventilation Efficiency (Ev)			1.00										
						Required Outdoor Air Intake (CFM)			278																

General		Ventilation													Exhaust										
Room #	Room Name	Area Az ft2	People			Area					Breathing Zone Outdoor Airflow CFM	Zone Air Distribution Effectiveness Ez	Zone Outdoor Airflow CFM Voz	Primary Zone Airflow CFM Vpz	Primary Outdoor Air Fraction Zp	Actual Outdoor Airflow CFM	Area			Toilet			Served by		
			Occupant Density People/1,000 ft2	Occupants Pz	Outdoor Airflow Rate CFM/Person Rp	Outdoor Airflow CFM Pz x Rp	Outdoor Airflow Rate CFM/Ra	Outdoor Airflow CFM Az x Ra	Outdoor Airflow Rate CFM/Ra	Outdoor Airflow Rate CFM/Ra							Required Exhaust Rate CFM/Rt2	Total Required Exhaust CFM	Exhaust Control/Operation	Fixture Exhaust Rate CFM/Fixture	Required Fixture Exhaust CFM	Actual Exhaust CFM	Supply	Exhaust	
5	Meal Fulfillment Area	460	15	7	7.5	52.5	0.18	83	135	0.8	170	4,375	0.04	1,075	-	-	-	-	-	-	-	-	-	AC-2L / AC-2T	-
Total Area		460				Total Vbz					135	Total Supply Airflow			4,375	Actual Outdoor Airflow			1,075						
						Diversity (D)			1.00			Maximum Zp			0.03										
						Uncorrected Outdoor Air Intake (You)			135			System Ventilation Efficiency (Ev)			1.00										
						Required Outdoor Air Intake (CFM)			135																

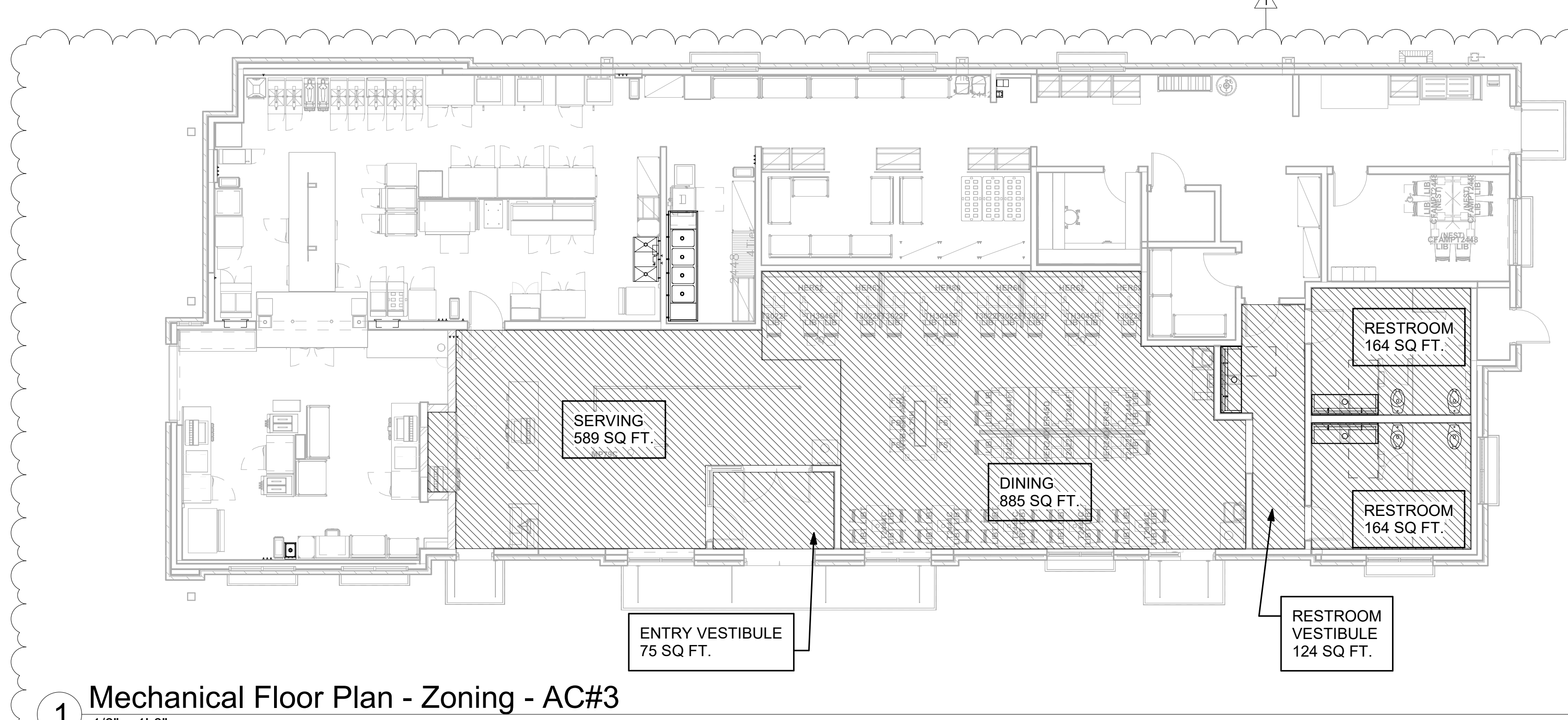
General		Ventilation													Exhaust										
Room #	Room Name	Area Az ft2	People			Area					Breathing Zone Outdoor Airflow CFM	Zone Air Distribution Effectiveness Ez	Zone Outdoor Airflow CFM Voz	Primary Zone Airflow CFM Vpz	Primary Outdoor Air Fraction Zp	Actual Outdoor Airflow CFM	Area			Toilet			Served by		
			Occupant Density People/1,000 ft2	Occupants Pz	Outdoor Airflow Rate CFM/Person Rp	Outdoor Airflow CFM Pz x Rp	Outdoor Airflow Rate CFM/Ra	Outdoor Airflow CFM Az x Ra	Outdoor Airflow Rate CFM/Ra	Outdoor Airflow Rate CFM/Ra							Required Exhaust Rate CFM/Rt2	Total Required Exhaust CFM	Exhaust Control/Operation	Fixture Exhaust Rate CFM/Fixture	Required Fixture Exhaust CFM	Actual Exhaust CFM	Supply	Exhaust	
1	Dining	885	100	89	7.5	667.5	0.18	159	826.5	0.8	1033	3,030	0.34	866	-	-	-	-	-	-	-	-	-	AC-3L / AC-3T	-
2	Serving	589	100	59	7.5	442.5	0.12	71	513.5	0.8	642	1,470	0.44	420	-	-	-	-	-	-	-	-	-	AC-3L / AC-3T	-
3	Men's RR	164	-	-	-	-	-	-	-	0.8	-	125	-	36	-	-	Continuous	50	100	150	150	AC-3L / AC-3T	EF-3	-	
4	Women's RR	164	-	-	-	-	-	-	-	0.8	-	125	-	36	-	-	Continuous	50	100	150	150	AC-3L / AC-3T	EF-3	-	
5	RR Vestibule	124	-	-	-	-	0.06	7	7	0.8	9	100	0.09	29	-	-	-	-	-	-	-	-	-	AC-3L / AC-3T	-
6	Entry Vestibule	75	-	-	-	-	0.06	5	5	0.8	6	400	0.02	113	-	-	-	-	-	-	-	-	-	AC-3L / AC-3T	-
Total Area		2,033				Total Vbz					1,352	Total Supply Airflow			5,250	Actual Outdoor Airflow			1,500						
						Diversity (D)			0.72			Maximum Zp			0.44										
						Uncorrected Outdoor Air Intake (You)			1,042			System Ventilation Efficiency (Ev)			0.70										
						Required Outdoor Air Intake (CFM)			1,489																

THERE ARE 64 SEATS IN THIS RESTAURANT. DIVERSITY = 64/89 = 0.72. (# OF SEATS / ZONE POPULATION PER IMC)

MAINTAINED EXPECTED DIVERSITY IN THE SALES AREA AS WELL SINCE IT WAS STATED THAT IT WAS THOUGHT THAT THE SALES AREA WAS TO BE POPULATED THE SAME AS THE DINING.

You = D * Sum all zones(Pz*Rp) + Sum all zones (Ra*Az)
 (IMC 403.3.1.1.2.3.3)
 You = 0.72 * 1110 + 242 = 1,042 CFM

General		Ventilation													Exhaust										
Room #	Room Name	Area Az ft2	People			Area					Breathing Zone Outdoor Airflow CFM	Zone Air Distribution Effectiveness Ez	Zone Outdoor Airflow CFM Voz	Primary Zone Airflow CFM Vpz	Primary Outdoor Air Fraction Zp	Actual Outdoor Airflow CFM	Area			Toilet			Served by		
			Occupant Density People/1,000 ft2	Occupants Pz	Outdoor Airflow Rate CFM/Person Rp	Outdoor Airflow CFM Pz x Rp	Outdoor Airflow Rate CFM/Ra	Outdoor Airflow CFM Az x Ra	Outdoor Airflow Rate CFM/Ra	Outdoor Airflow Rate CFM/Ra							Required Exhaust Rate CFM/Rt2	Total Required Exhaust CFM	Exhaust Control/Operation	Fixture Exhaust Rate CFM/Fixture	Required Fixture Exhaust CFM	Actual Exhaust CFM	Supply	Exhaust	
1	Team Member Room	158	50	8	5	40	0.06	9	49	0.8	62	800	0.10	148	-	-	-	-	-	-	-	-	-	AC-4L / AC-4T	-
2	Service	157	-	-	-	-	0.12	19	19	0.8	24	185	0.13	45	-	-	-	-	-	-	-	-	-	AC-4L / AC-4T	-
3	Beverage	166	-	-	-	-	0.12	20	20	0.8	25	275	0.09	67	-	-	-	-	-	-	-	-	-	AC-4L / AC-4T	-
4	Utility	100	-	-	-	-	0.12	12	12	0.8	15	300	0.05	73	-	-	-	-	-	-	-	-	-	AC-4L / AC-4T	-
5	Dry Storage	471	-	-	-	-	0.12	57	57	0.8	71	150	0.47	36	-	-	-	-	-	-	-	-	-	AC-4L / AC-4T	-
6	Office	79	5	1	5	5	0.06	5	10	0.8	13	100	0.12	24	-	-	-	-	-	-	-	-	-	AC-4L / AC-4T	-
7	Flex	62	-	-	-	-	0.12	7	7	0.8	9	40	0.23	10	-	-	-	-	-	-	-	-	-	AC-4L / AC-4T	-
8	Riser	19	-	-	-	-	0.12	2	2	0.8	3	100	0.03	24	-	-	-	-	-	-	-	-	-	AC-4L / AC-4T	-
Total Area		1,212				Total Vbz					176	Total Supply Airflow			1,750	Actual Outdoor Airflow			425						
						Diversity (D)			1.00			Maximum Zp			0.47										
						Uncorrected Outdoor Air Intake (You)			176			System Ventilation Efficiency (Ev)			0.60										
						Required Outdoor Air Intake (CFM)			293																



1 Mechanical Floor Plan - Zoning - AC#3
 1/8" = 1'-0"



Chick-fil-A
 Chick-fil-A
 5200 Buffington Road
 Atlanta, Georgia
 30349-2998

Kurzynske & Associates
 2705 Lebanon Pike - Suite One
 Nashville, Tennessee 37214
 Telephone: (615) 255-5203



CHICK-FIL-A
 Hamilton & Wesley FSU
 820 Hamilton Blvd
 Sioux City, IA 51103

FSR#05702
 BUILDING TYPE / SIZE: P14 LE BN
 RELEASE: 24.08
 PRINTED FOR: ISSUE FOR CONSTRUCTION
 REVISION SCHEDULE
 NO. DATE DESCRIPTION
 1 11/08/2024 Review Comments
 2 11/27/2024 Review Comments
 3 12/27/2024 Issue for Construction

ISSUE FOR CONSTRUCTION

CONSULTANT PROJECT # 24040.CD.S
 DATE 12/27/2024
 DRAWN BY BLM

Information contained on this drawing and in all digital files produced for above named project may not be reproduced in any manner without express written or verbal consent from authorized project representatives.

SHEET VENTILATION SCHEDULES

SHEET NUMBER **M-602**



Chick-fil-A
 5200 Buffington Road
 Atlanta, Georgia
 30349-2998

Kurzynske & Associates
 2705 Lebanon Pike - Suite One
 Nashville, Tennessee 37214
 Telephone: (615) 255-5203



1/2/2024

CHICK-FIL-A
 Hamilton & Wesley FSU
 820 Hamilton Blvd
 Sioux City, IA 51103

FSR#05702
 BUILDING TYPE / SIZE: P14 LE BN
 RELEASE: 24.08
 PRINTED FOR: ISSUE FOR CONSTRUCTION
REVISION SCHEDULE

NO.	DATE	DESCRIPTION
3	12/27/2024	Issue for Construction

CONSULTANT PROJECT # 24040.CD.S
 DATE 12/27/2024
 DRAWN BY BLM

Information contained on this drawing and in all digital files produced for above named project may not be reproduced in any manner without express written or verbal consent from authorized project representatives.

CONTROL WIRING DIAGRAMS - TRANE

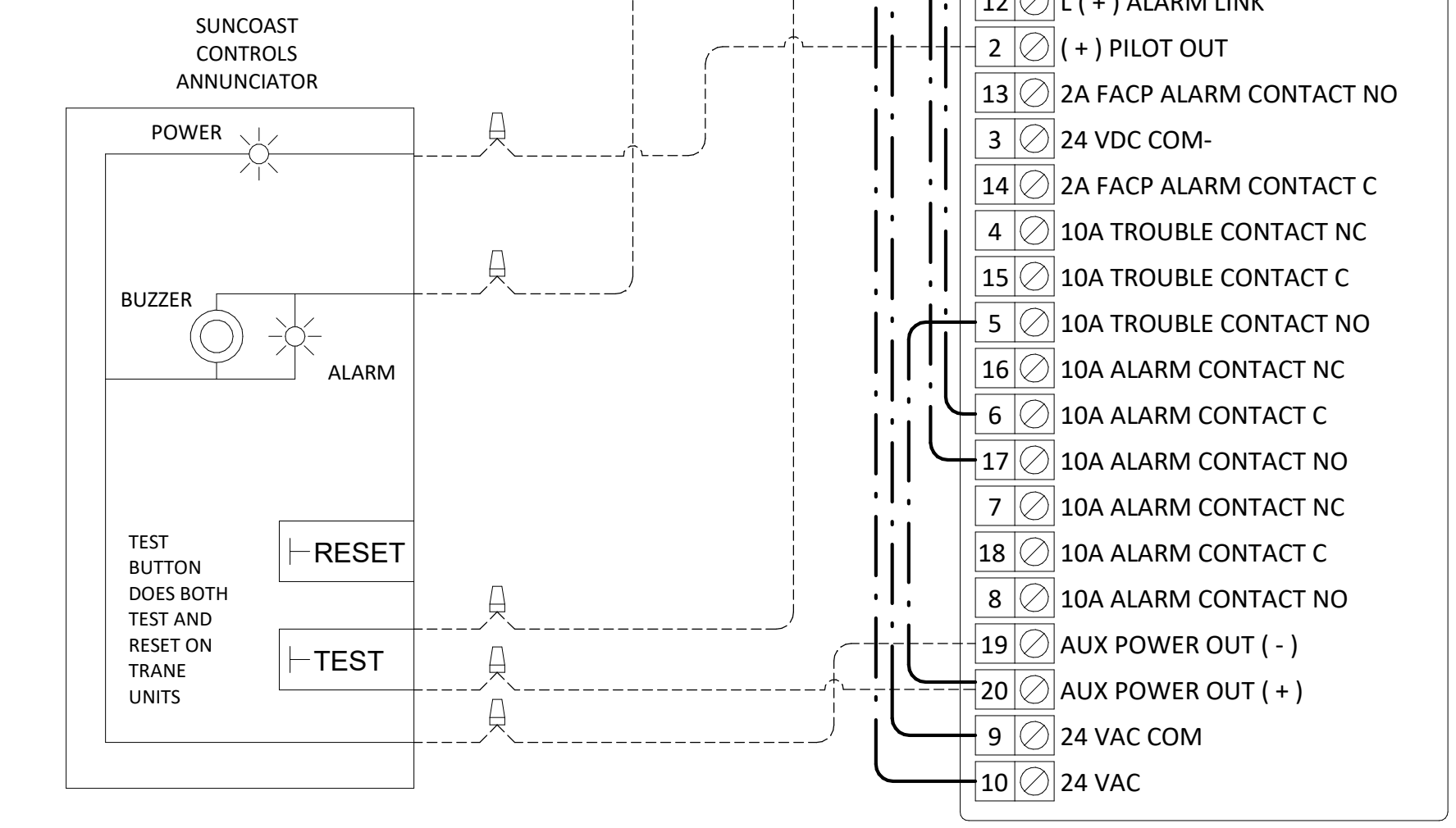
SHEET NUMBER **M-701T**

LEGEND

- 18 AWG MIN WIRING BY MECH CONTRACTOR
- FACTORY ANNUNCIATOR DETECTOR WIRING
- FACTORY TRANE WIRING

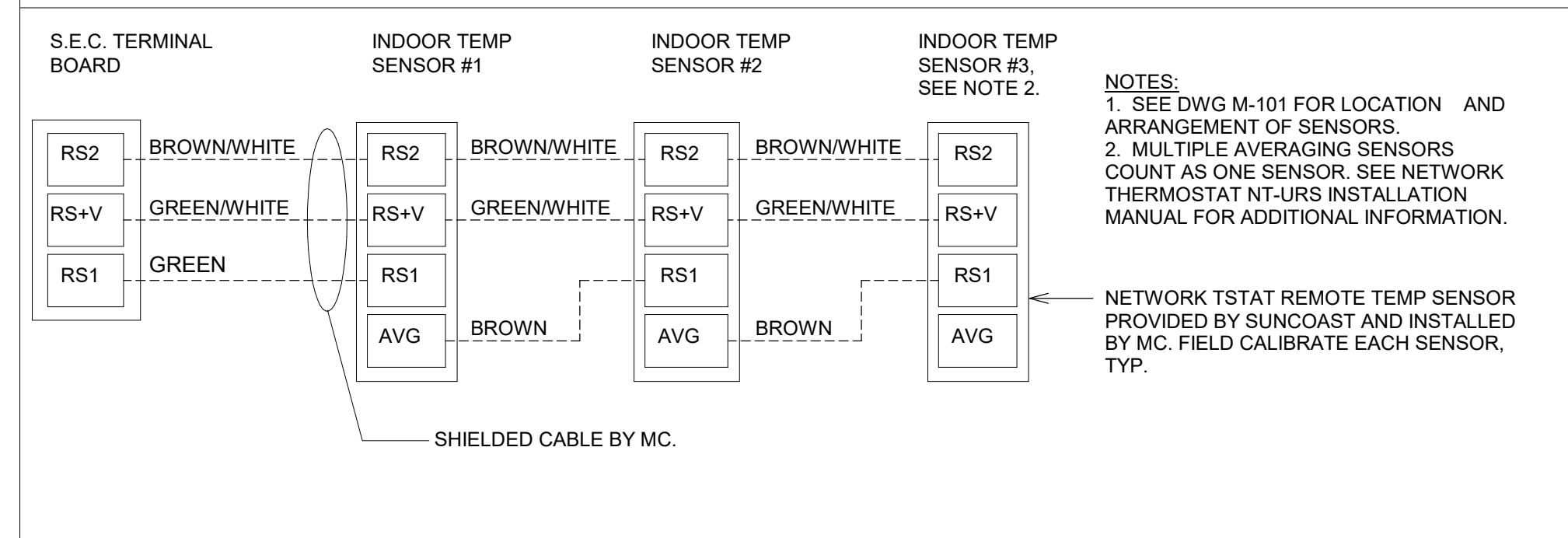
FIELD INSTALLED WIRING:
 WITHIN THE ROOFTOP UNITS, WIRING SHALL BE ROUTED BY WAY OF FACTORY WIRE WAYS ONLY. WIRING ROUTED OVER THE BLOWER HOUSING OR BY WAY OF OTHER ROUTES DETRIMENTAL TO WIRING LIFE WILL NOT BE ACCEPTED.

LABELING:
 PROVIDE ENGRAVED LABEL WITH 1" HIGH WHITE LETTERS ON BLACK BACKGROUND IDENTIFYING UNIT SERVED.



1 SMOKE DETECTOR AND ANNUNCIATOR - TRANE
 NTS

AVERAGING SENSORS (WHERE SHOWN ON PLANS)



KEYED NOTES:

1. LOW VOLTAGE WIRING TO RTU TO BE ROUTED TO UNIT THRU FACTORY WIREWAY.
2. WIRING TO HUMIDITY SENSOR TO BE MADE WITH SINGLE 18/2 SENSOR CABLE: BELDEN 8760 OR EQUAL.
3. NETWORK TSTAT REMOTE TEMP SENSOR PROVIDED BY SUNCAST AND INSTALLED BY MC. SENSOR IS INTENDED TO BE SURFACE MOUNTED AND DOES NOT REQUIRE A SINGLE GANG BOX OR CONDUIT. FIELD CALIBRATE EACH SENSOR. SEAL CABLE PENETRATION AT ALL WALL LOCATIONS.
4. FACTORY WIRING IN SUNCAST T-500 PANEL NOT SHOWN FOR CLARITY. SEE SUNCAST WIRING DIAGRAM FOR ADDITIONAL INFORMATION.
5. SY700 INTERFACE TO SET RELATIVE HUMIDITY. SET TO 60%.
6. CAT 5/SE CABLE BY M.C. NO SUBSTITUTIONS.

NOTES:

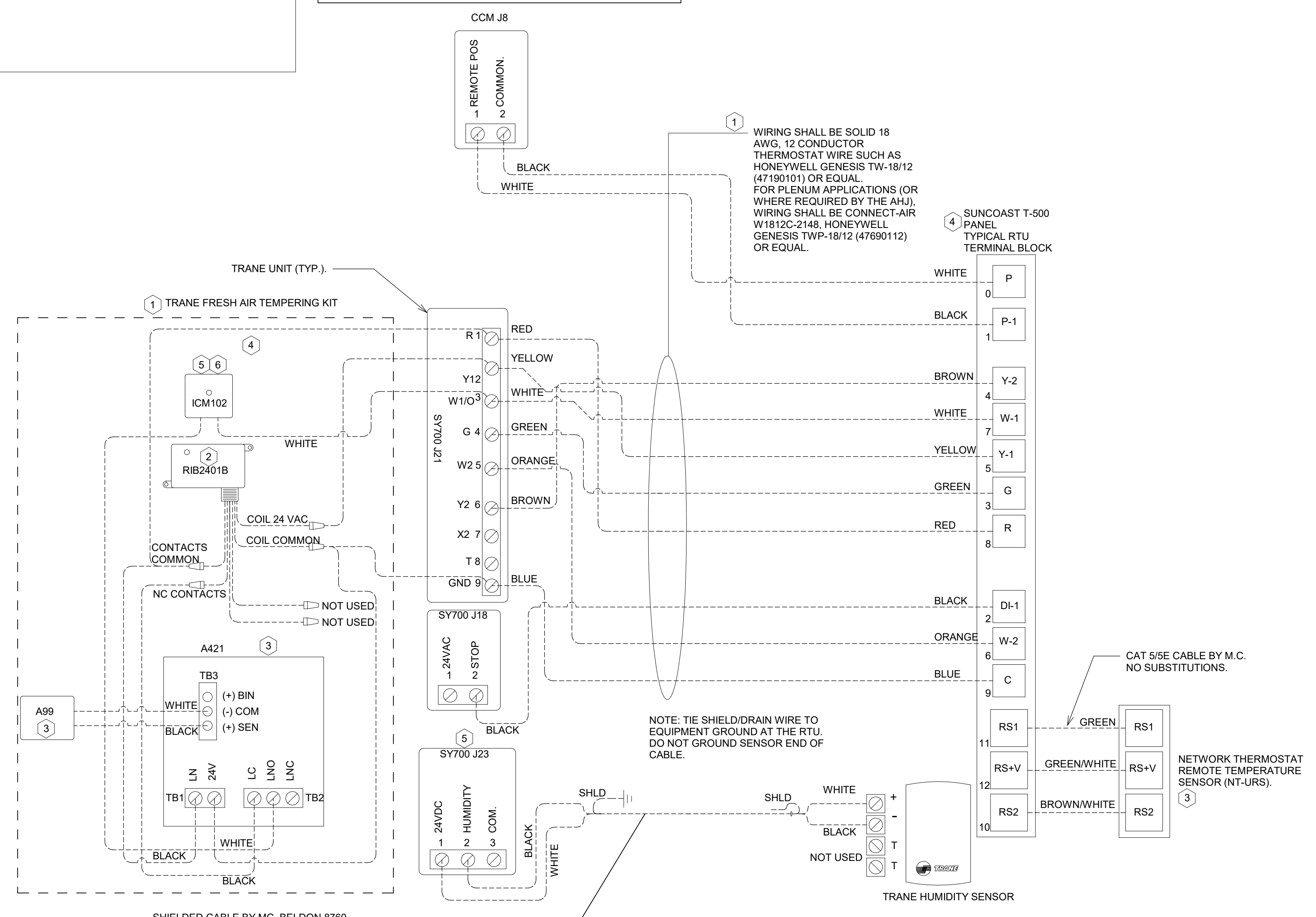
1. PROVIDE A PROFESSIONALLY LAMINATED COPY OF THESE DETAILS TO BE INSTALLED INSIDE THE ROOFTOP UNIT CONTROL CABINET. USE A SETON CHART FRAME STYLE #68624. TELEPHONE NUMBER 800-243-8624. FOR MOUNTING THE DETAIL, ATTACH THE FRAME TO THE INTERIOR OF THE UNIT IN PLAIN AND EASY VIEW OF THE CONTROLS SECTION. CONTACT ENGINEER OF RECORD FOR A REPRODUCIBLE COPY OF THE DETAIL.
2. SEE DETAILS IN THIS SHEET FOR SMOKE DETECTOR AND ANNUNCIATOR WIRING.
3. SET ALL THERMOSTATS TO AUTO CHANGEOVER.
4. PROVIDE PLASTIC ENGRAVABLE AT ALL SENSORS WITH 1/4" HIGH WHITE LETTERING ON BLACK BACKGROUND (E.G. "AC2 HUMIDITY SENSOR" OR "AC#2 TEMP SENSOR"). PLACE LABELS ON WALL DIRECTLY ABOVE OR BELOW THE SENSOR. DO NOT APPLY LABEL DIRECTLY TO DEVICE.

LEGEND

- 1 KEY NOTE REFERENCE
- MC MECHANICAL CONTRACTOR
- AC SUNCAST RELAY FACTORY INSTALLED AND WIRED IN CFA-500 PANEL. ENERGIZED BY PUTTIN STORE SWITCH IN "STORE OCCUPIED" POSITION
- AN SUNCAST RELAY FACTORY INSTALLED AND WIRED IN CFA-500 PANEL. DEENERGIZED WHEN ANSUL FIR SUPPRESSION SYSTEM IS ACTIVATED AS NOTED
- ALL LOW VOLTAGE CABLING BY MC. ONLY USE CABLE SPECIFIED. NO SUBSTITUTIONS.
- LOW VOLTAGE WIRING BY S.E.C.
- LINE VOLTAGE BY ELECTRICIAN OR S.E.C.

FRESH AIR TEMPERING KEYED NOTES:

1. INSTALL FRESH AIR TEMPERING KIT AS RECOMMENDED BY TRANE.
2. RIB2401B SPDT RELAY FURNISHED BY TRANE AND INSTALLED BY CONTRACTOR IN CONTROL CABINET OF TRANE UNIT.
3. JCI A421 TEMPERATURE CONTROLLER FURNISHED BY TRANE AND INSTALLED BY CONTRACTOR IN RTU CONTROL CABINET. CONTRACTOR SHALL INSTALL TRANE FURNISHED JCI A99 SENSOR IN THE SUPPLY DUCT DOWNSTREAM OF FIRST ELBOW. SECURE WIRING TO DUCT WITH TE6001-1 SENSOR DUCT MOUNTING PLATE FURNISHED BY TRANE. DO NOT RUN WIRING INSIDE DUCTWORK. SET A421 CONTROLLER PARAMETERS TO THE FOLLOWING:
 - RELAY ON TEMPERATURE: 58°F
 - RELAY OFF TEMPERATURE: 80°F
4. 18 AWG MIN. LOW VOLTAGE WIRING BY MC.
5. ICM102 TIME DELAY RELAY FURNISHED BY TRANE AND INSTALLED BY CONTRACTOR IN CONTROL CABINET OF ROOFTOP UNIT.
6. SET TIME DELAY RELAY (ICM102) TO 2 MINUTES.



SHIELDED CABLE BY MC. BELDEN 8760 CABLE OR EQUAL. 18 AWG, 1-PAIR, TWISTED, SHIELDED, WITH DRAIN, PLENUM RATED. AFTER DRAIN WIRE TERMINATION, TAPE/INSULATE ALL EXPOSED DRAIN/SHIELD AT SENSOR. DO NOT CONNECT SHIELD/DRAIN WIRE.

2 ROOFTOP UNIT CONTROL WIRING - TRANE
 NTS

Autodesk Docs://IA_05702_Hamilton & Wesley (IA) FSU_2024_1_FSR#05702_Hamilton & Wesley (IA) FSU_MEC.rvt
 12/23/2024 10:54:08 AM
 30-LE-05702-M-701T-CONTROL WIRING DIAGRAMS - TRANE

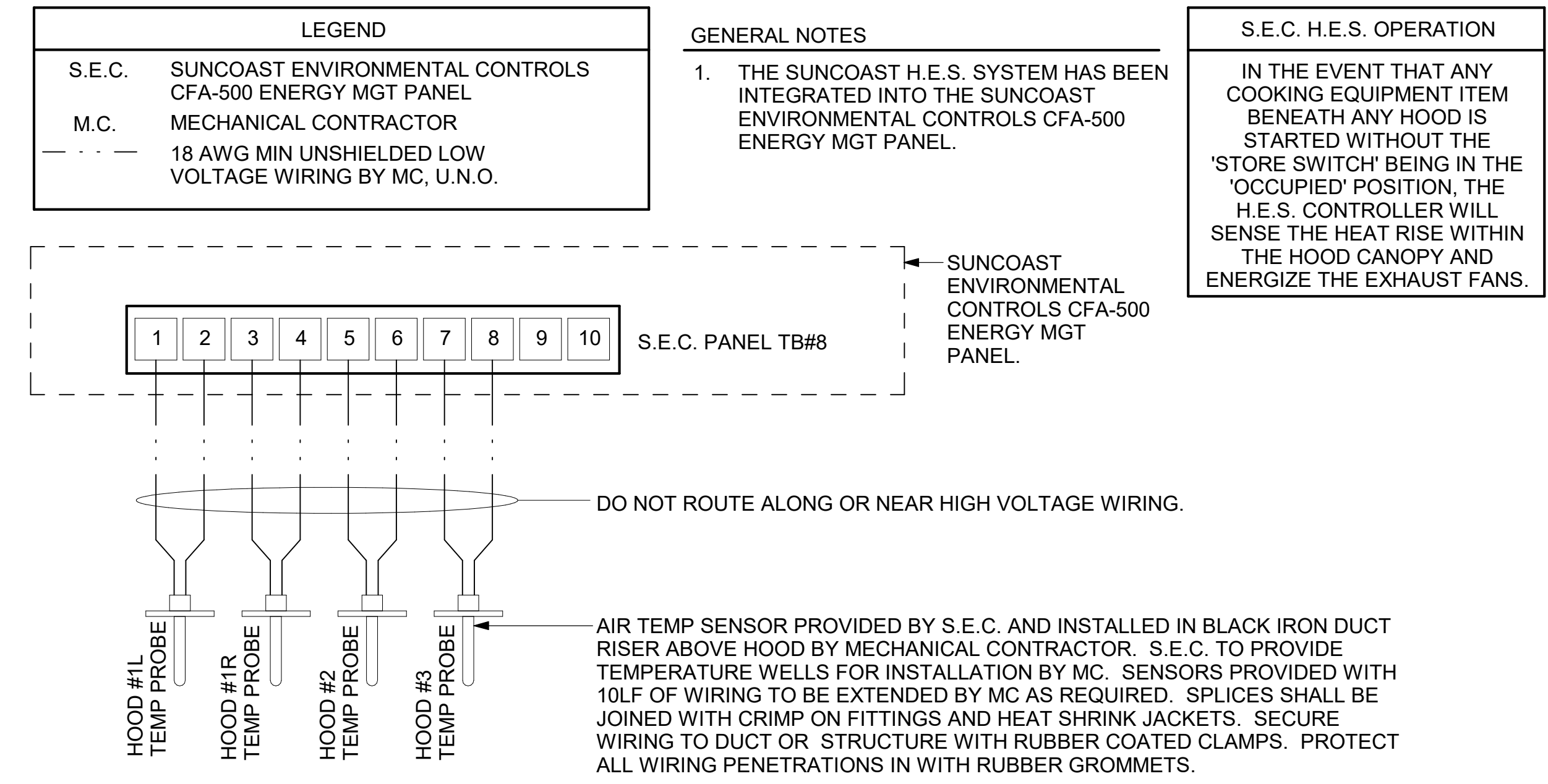
E
D
C
B
A

E
D
C
B
A

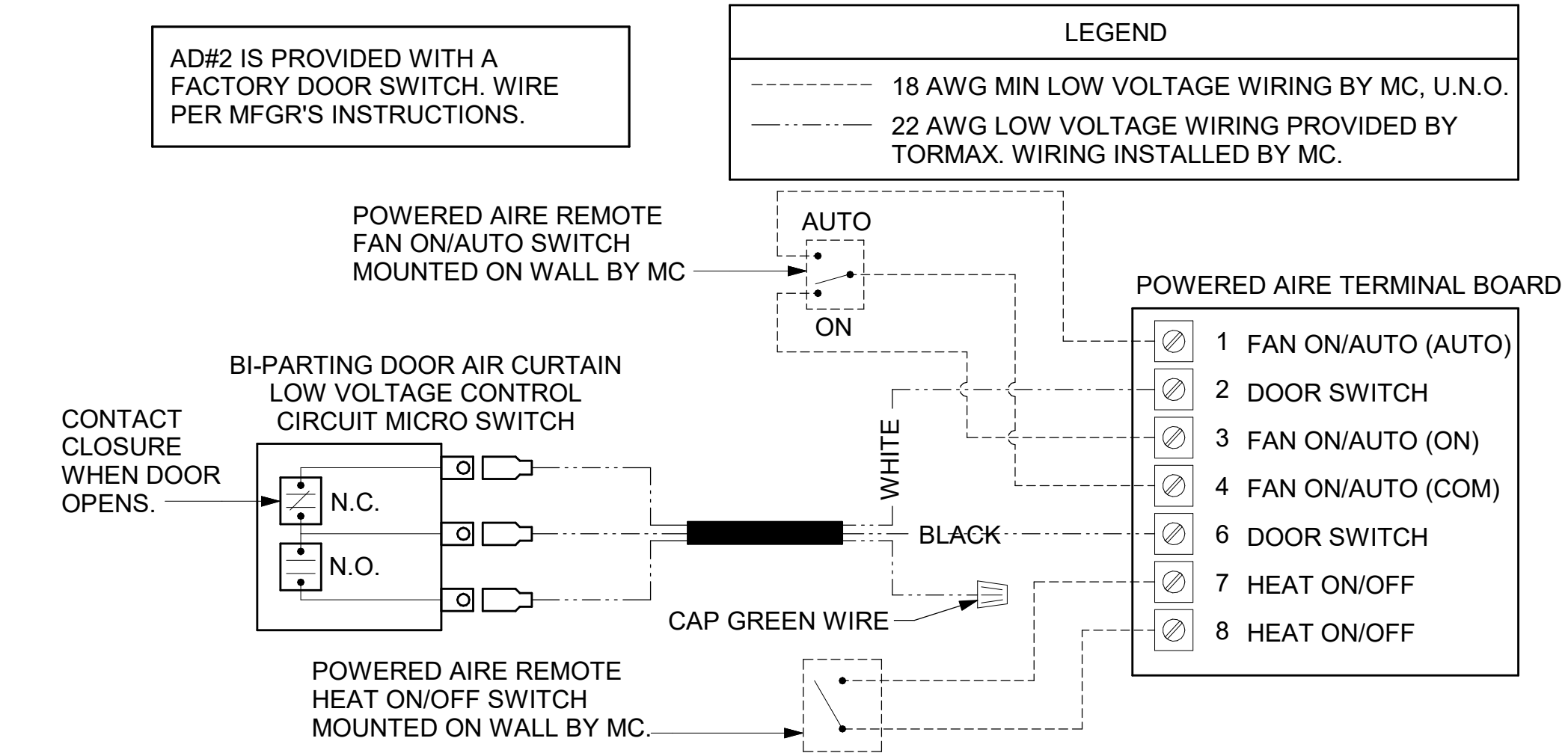
4 3 2 1

A

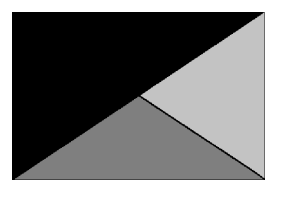
1 HOOD/FAN INTERLOCK - T500 INTEGRATED
 NTS



2 AIR CURTAIN WIRING DIAGRAM
 NTS



Chick-fil-A
 5200 Buffington Road
 Atlanta, Georgia
 30349-2998



Kurzynske & Associates
 2705 Lebanon Pike - Suite One
 Nashville, Tennessee 37214
 Telephone: (615) 255-5203



CHICK-FIL-A
 Hamilton & Wesley FSU
 820 Hamilton Blvd
 Sioux City, IA 51103

FSR#05702

BUILDING TYPE / SIZE:	P14 LE BN	
RELEASE:	24.08	
PRINTED FOR:	ISSUE FOR CONSTRUCTION	
REVISION SCHEDULE		
NO.	DATE	DESCRIPTION
3	12/27/2024	Issue for Construction

ISSUE FOR CONSTRUCTION

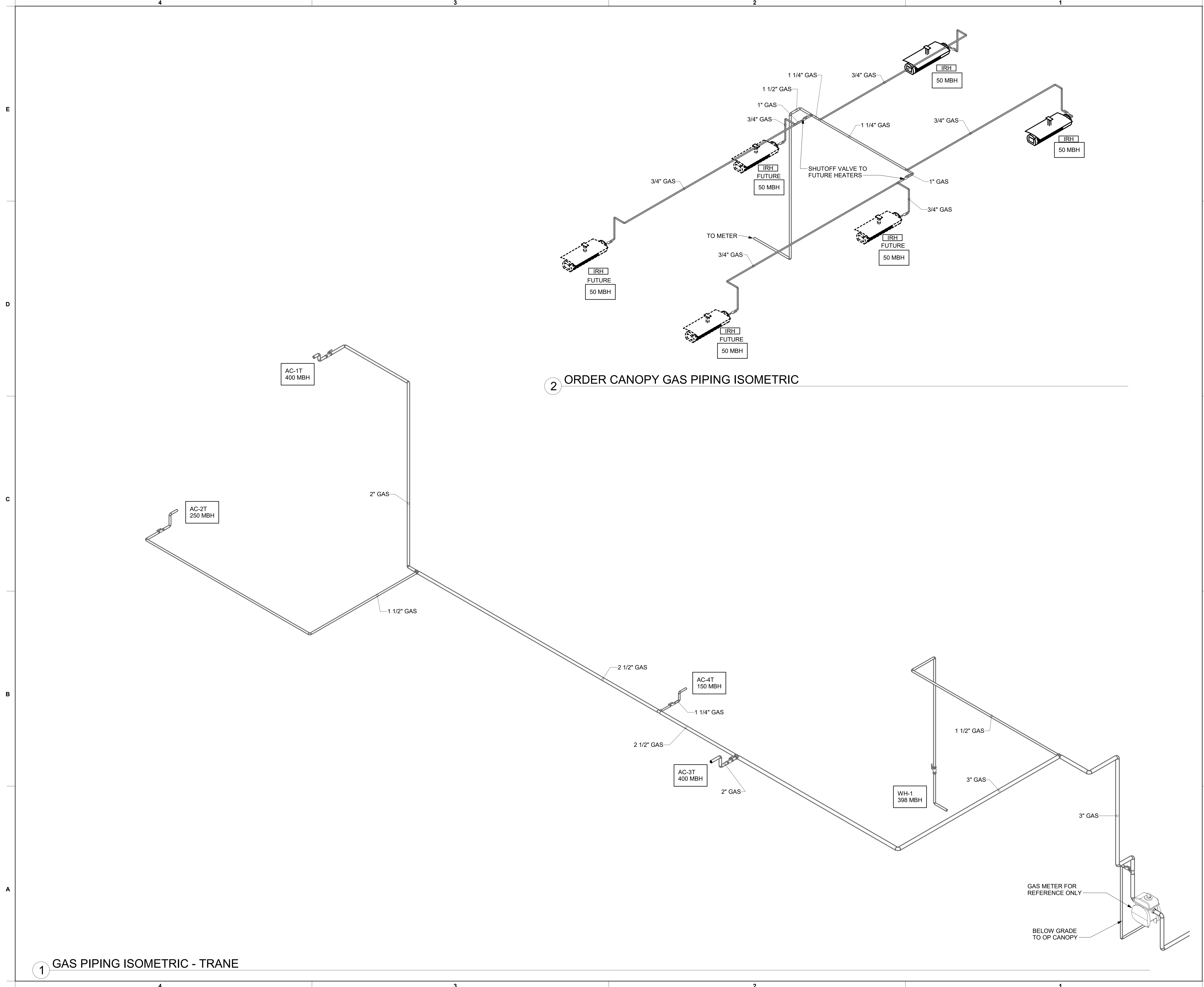
CONSULTANT PROJECT #	24040.CD.S
DATE	12/27/2024
DRAWN BY	BLM

Information contained on this drawing and in all digital files produced for above named project may not be reproduced in any manner without express written or verbal consent from authorized project representatives.

SHEET
 CONTROL WIRING DIAGRAMS

SHEET NUMBER
M-702

Autodesk Docs://IA_05702_Hamilton & Wesley (IA) FSU_2024_1_FSR#05702_Hamilton & Wesley (IA) FSU_MEC.rvt
 12/23/2024 10:54:15 AM
 30-LE-05702-M-901T-GAS AND CONDENSATE ISOMETRIC - TRANE

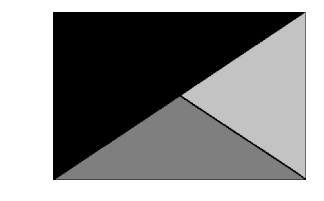


1 GAS PIPING ISOMETRIC - TRANE

2 ORDER CANOPY GAS PIPING ISOMETRIC



Chick-fil-A
 5200 Buffington Road
 Atlanta, Georgia
 30349-2998



Kurzynske & Associates
 2705 Lebanon Pike - Suite One
 Nashville, Tennessee 37214
 Telephone: (615) 255-5203



CHICK-FIL-A
 Hamilton & Wesley FSU
 820 Hamilton Blvd
 Sioux City, IA 51103

FSR#05702
 BUILDING TYPE / SIZE: P14 LE BN
 RELEASE: 24.08
 PRINTED FOR: ISSUE FOR CONSTRUCTION
REVISION SCHEDULE
 NO. DATE DESCRIPTION
 3 12/27/2024 Issue for Construction

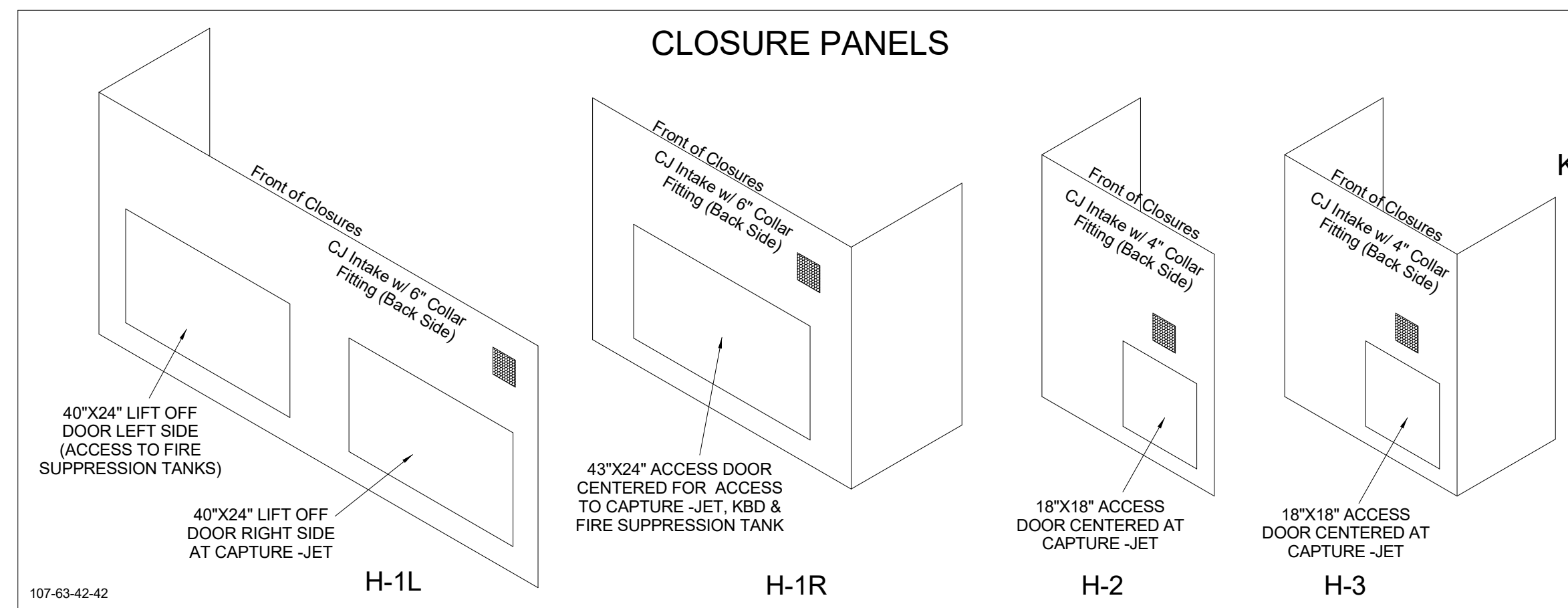
ISSUE FOR CONSTRUCTION

CONSULTANT PROJECT # 24040.CD.S
 DATE 12/27/2024
 DRAWN BY BLM

Information contained on this drawing and in all digital files produced for above named project may not be reproduced in any manner without express written or verbal consent from authorized project representatives.
 GAS AND CONDENSATE ISOMETRIC - TRANE

SHEET NUMBER
M-901T

HOOD MODEL	HOOD NUMBER	EXHAUST COLLAR			EXHAUST AIR INFORMATION			CAPTURE AIR INFORMATION		S.S. KSA FILTERS		LED LIGHTS	QTY	CEILING CLOSURES			KBD DAMPER	K FACTOR (CFM = K FACTOR * √DP)	MATERIAL
		QTY	LENGTH	WIDTH	CFM	TAB	SP	CFM	SP	FULL	HALF			CLOSURE HEIGHT	CEILING HEIGHT	HOOD WEIGHT			
KVL-2-IC	H-1L	1	14"	8"	1204	0.13"	0.22"	80	0.30"	5	-	3	2	TBD	ADVISE	669 LBS	*	3369	ALL 18 GA 430 S.S.
KVL-2-IC	H-1R	1	8"	8"	709	0.13"	0.23"	47	0.30"	3	-	2	2			394 LBS	*	1971	
KVL-C-IC	H-2	1	8"	8"	701	0.30"	0.39"	30	0.29"	2	-	1	2			245 LBS	*	1291	
KVL-C-IC	H-3	1	8"	8"	701	0.30"	0.39"	30	0.29"	2	-	1	3			245 LBS	*	1291	

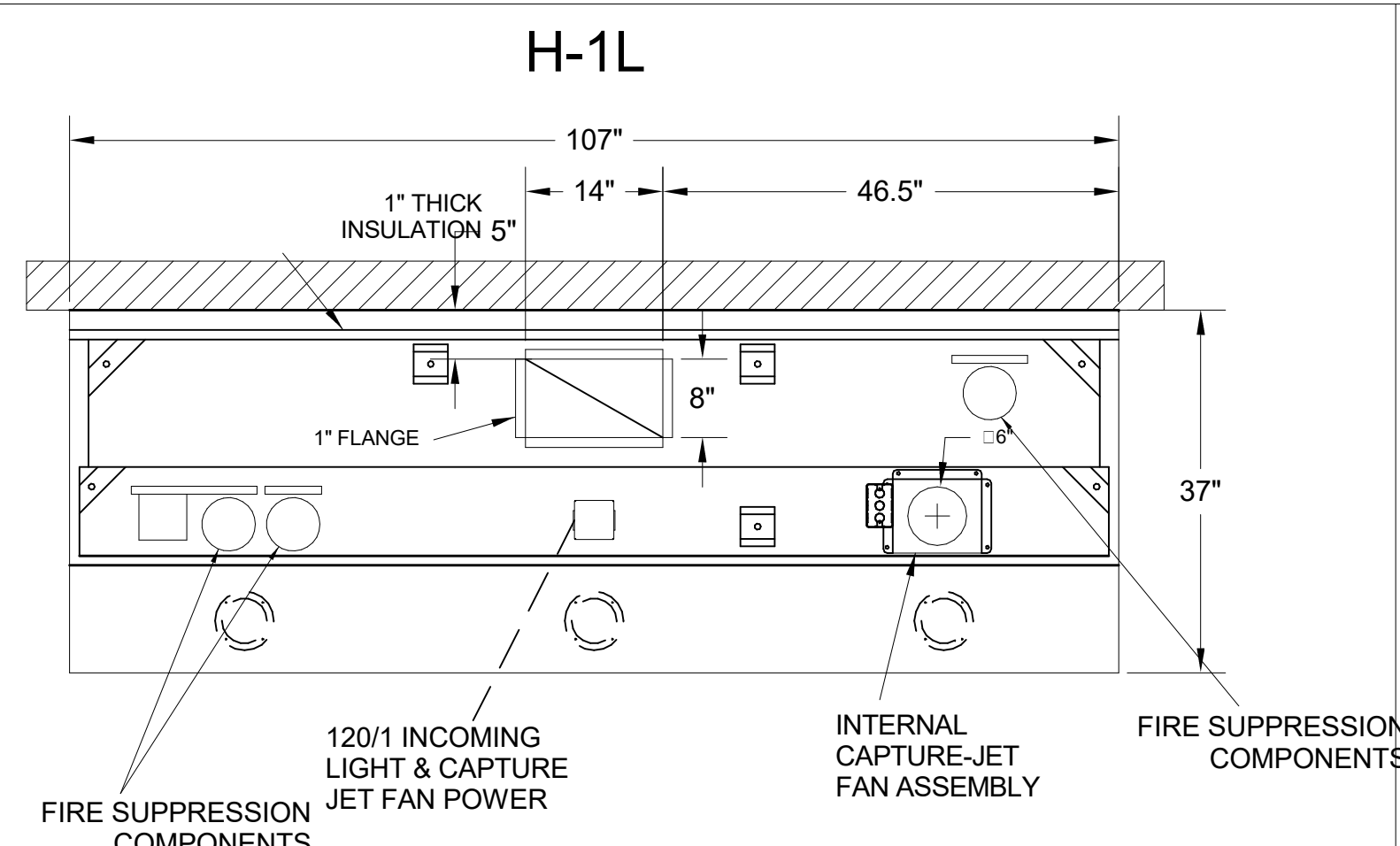
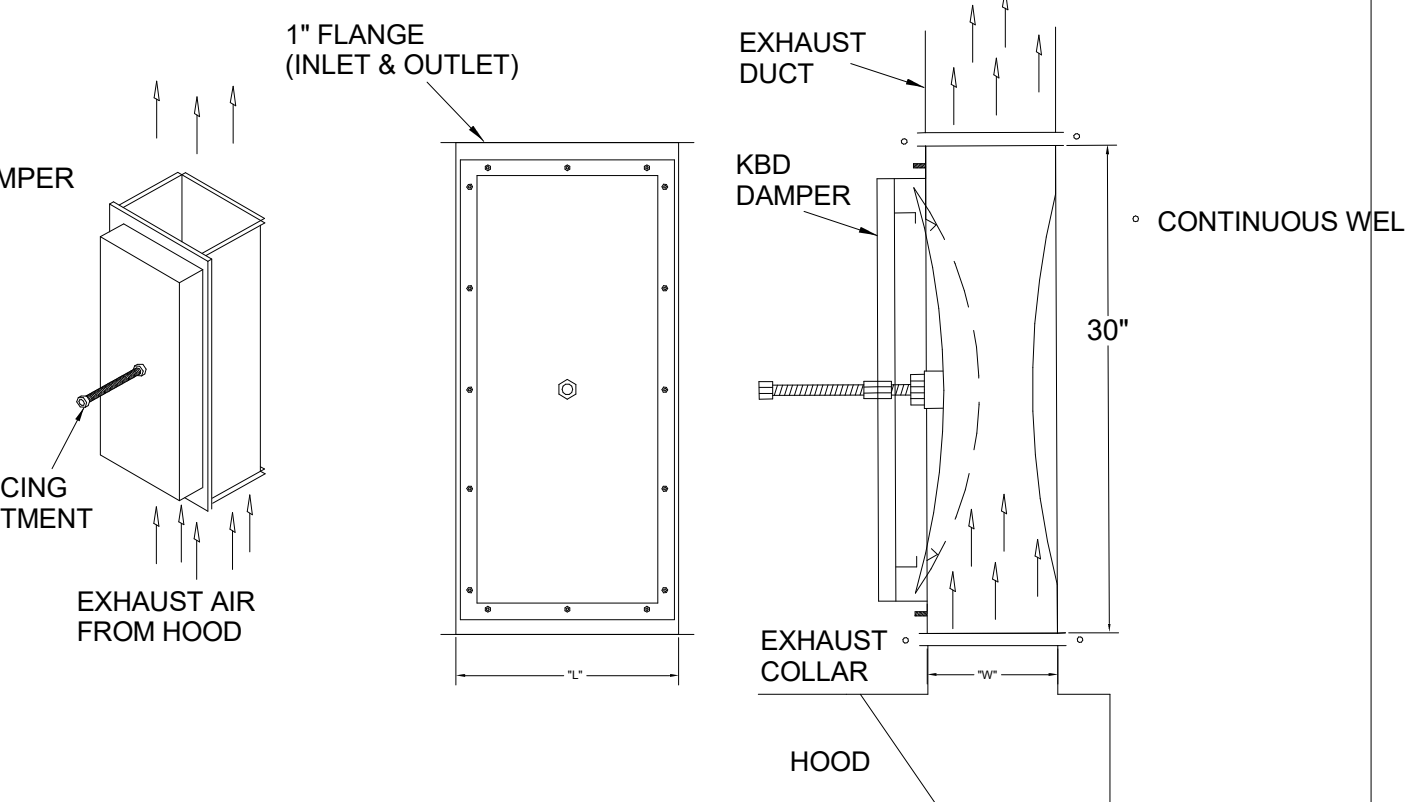


**MODEL:KBD
CALIBRATED KBDs**

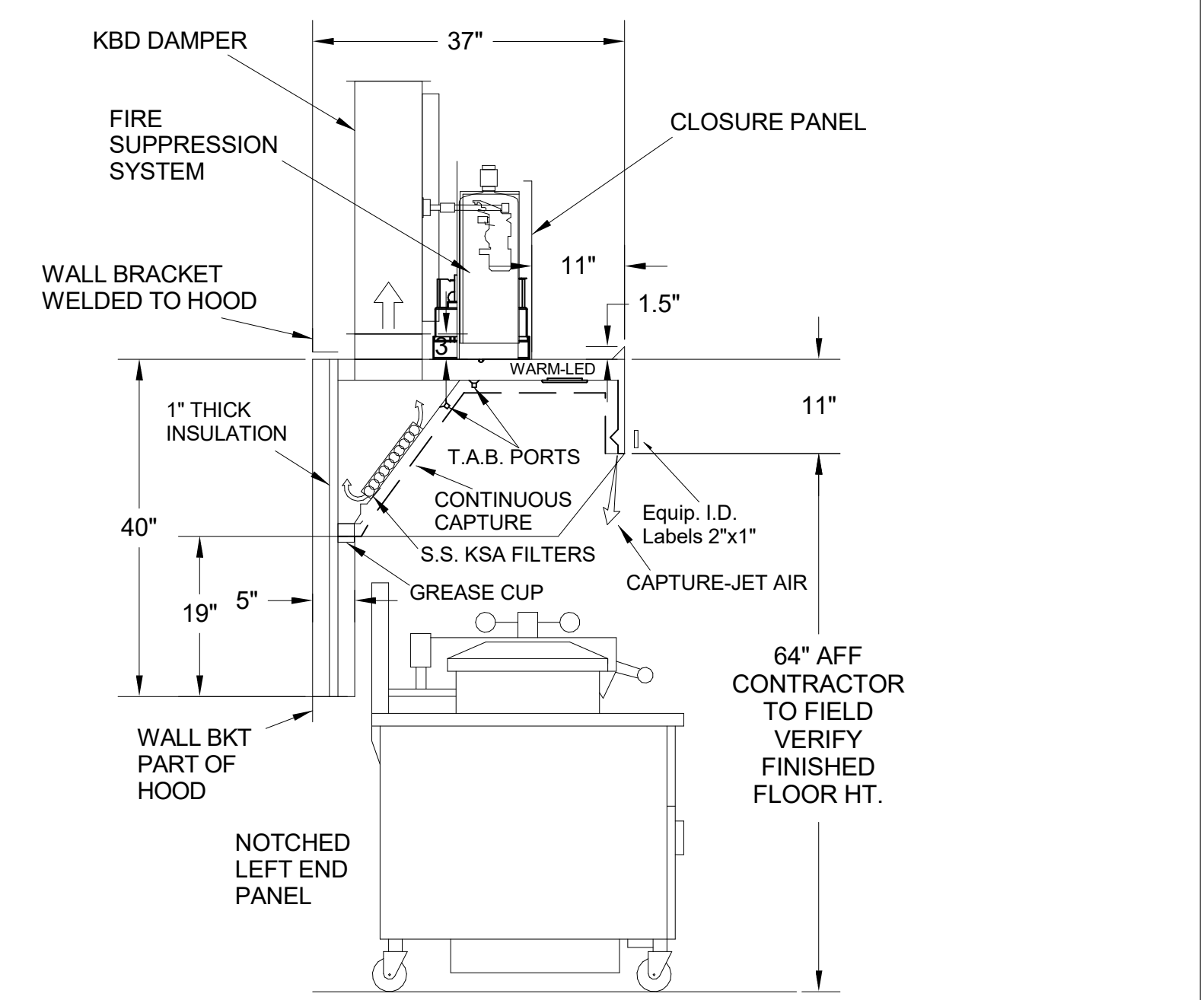
KITCHEN BALANCING DAMPER EXHAUST VOLUME DAMPER

TAG	"L"	"W"	QUANTITY
H-1L	14"	8"	1
H-1R	8"	8"	1
H-2	8"	8"	1
H-3	8"	8"	1

MATERIAL: FRAME - 16GA CONT.
GALV. ADJUSTABLE PANEL 18GA S.S.

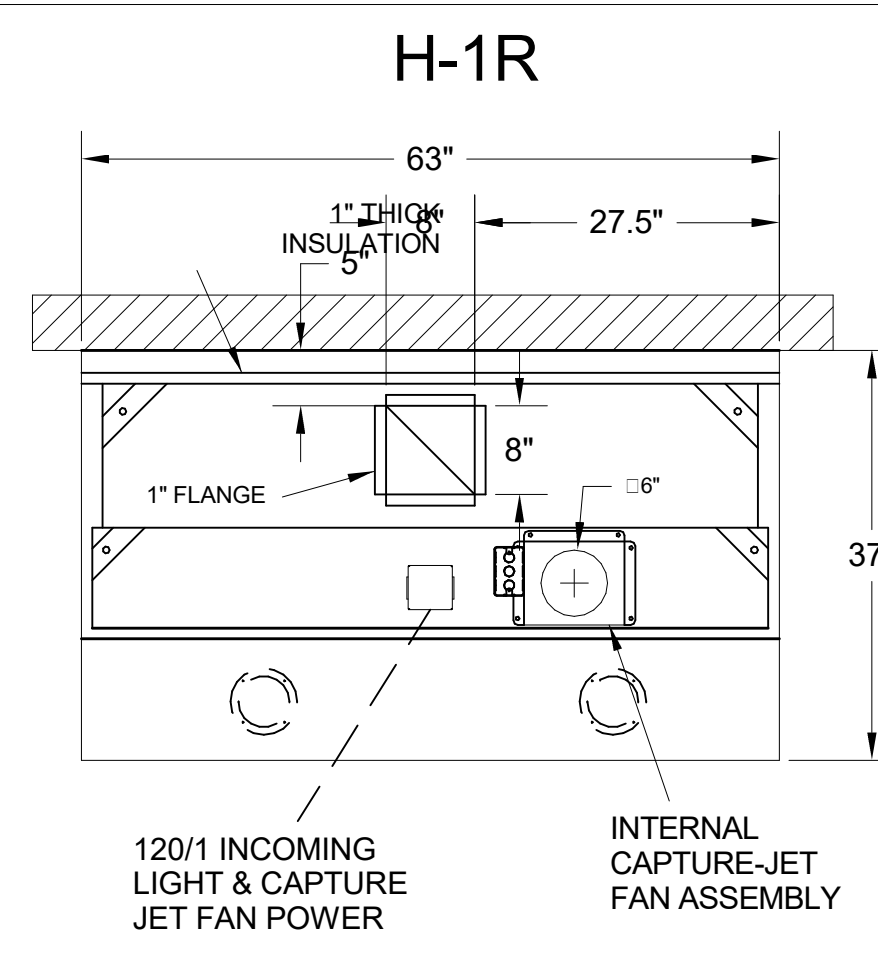
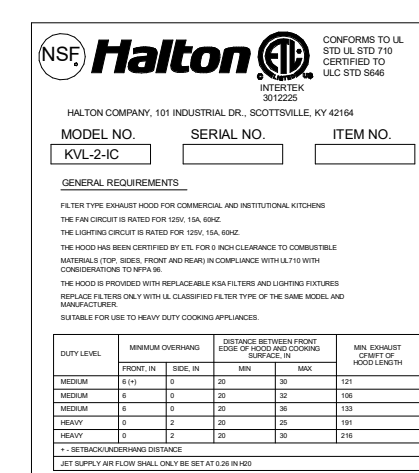


H-1L PLAN VIEW

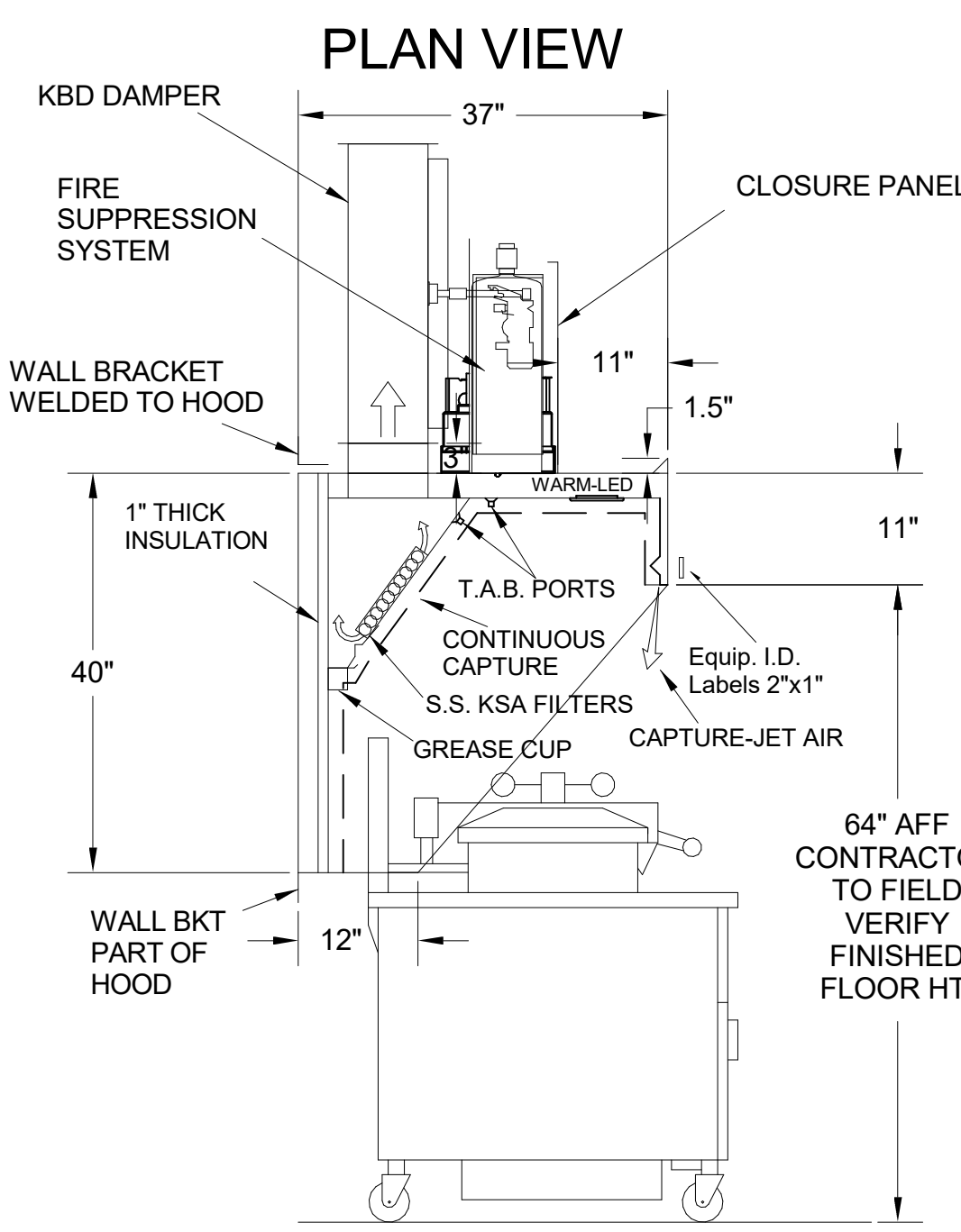


H-1L SECTION VIEW

- CEILING CLOSURE RECESSED 11" FROM FRONT TO CREATE SHELF
- FRONT CLOSURE PANEL WITH 40"x24" LIFT OUT DOOR LEFT SIDE (ACCESS TO FIRE SUPPRESSION)
- 40"x24" LIFT DOOR RIGHT SIDE AT CAPTURE-JET WITH FRONT CJ INTAKE
- CONTINUOUS CAPTURE INTERNAL RIGHT END CUTOUT
- 3" REAR STAND-OFF TO HAVE 1" THICK INSULATION
- NOTCHED LEFT END PANEL
- GREASE CUP RIGHT END
- AMEREX WEIGHT = 264 LBS

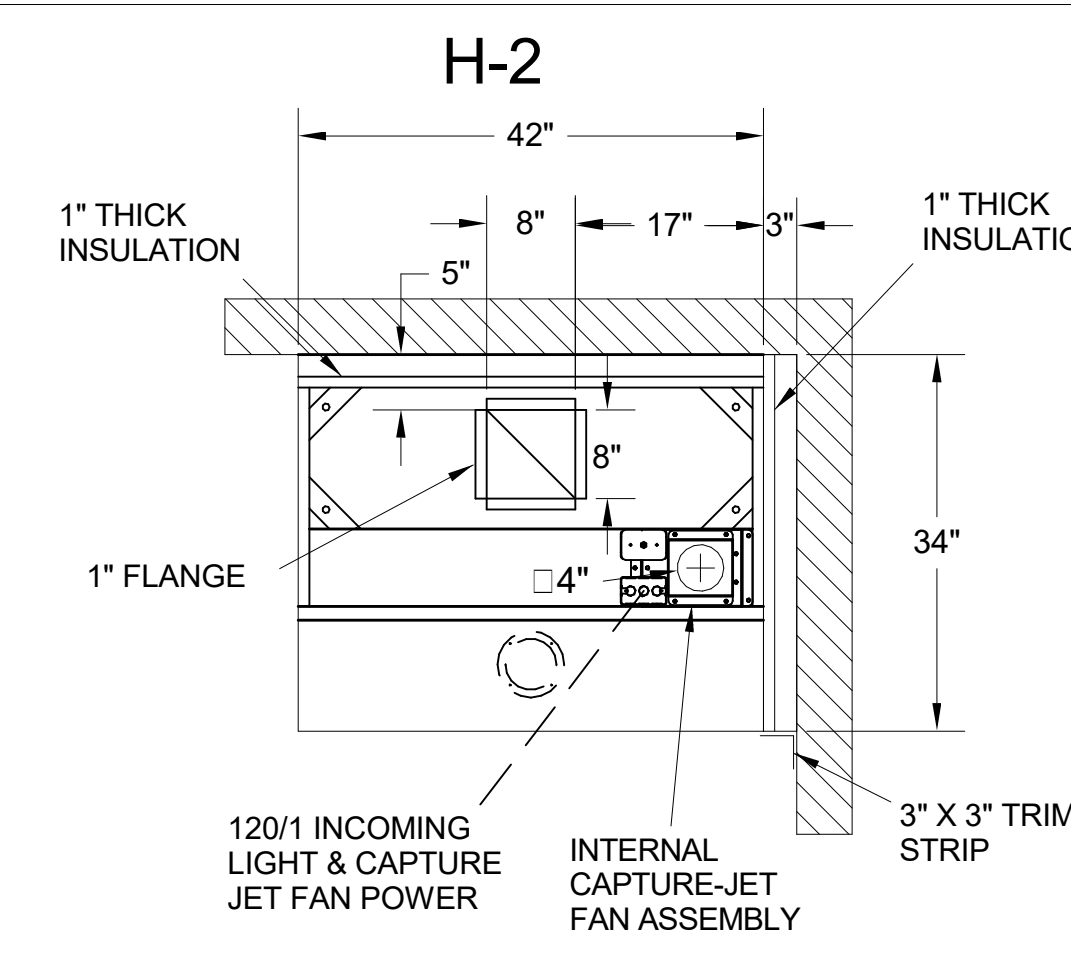


H-1R

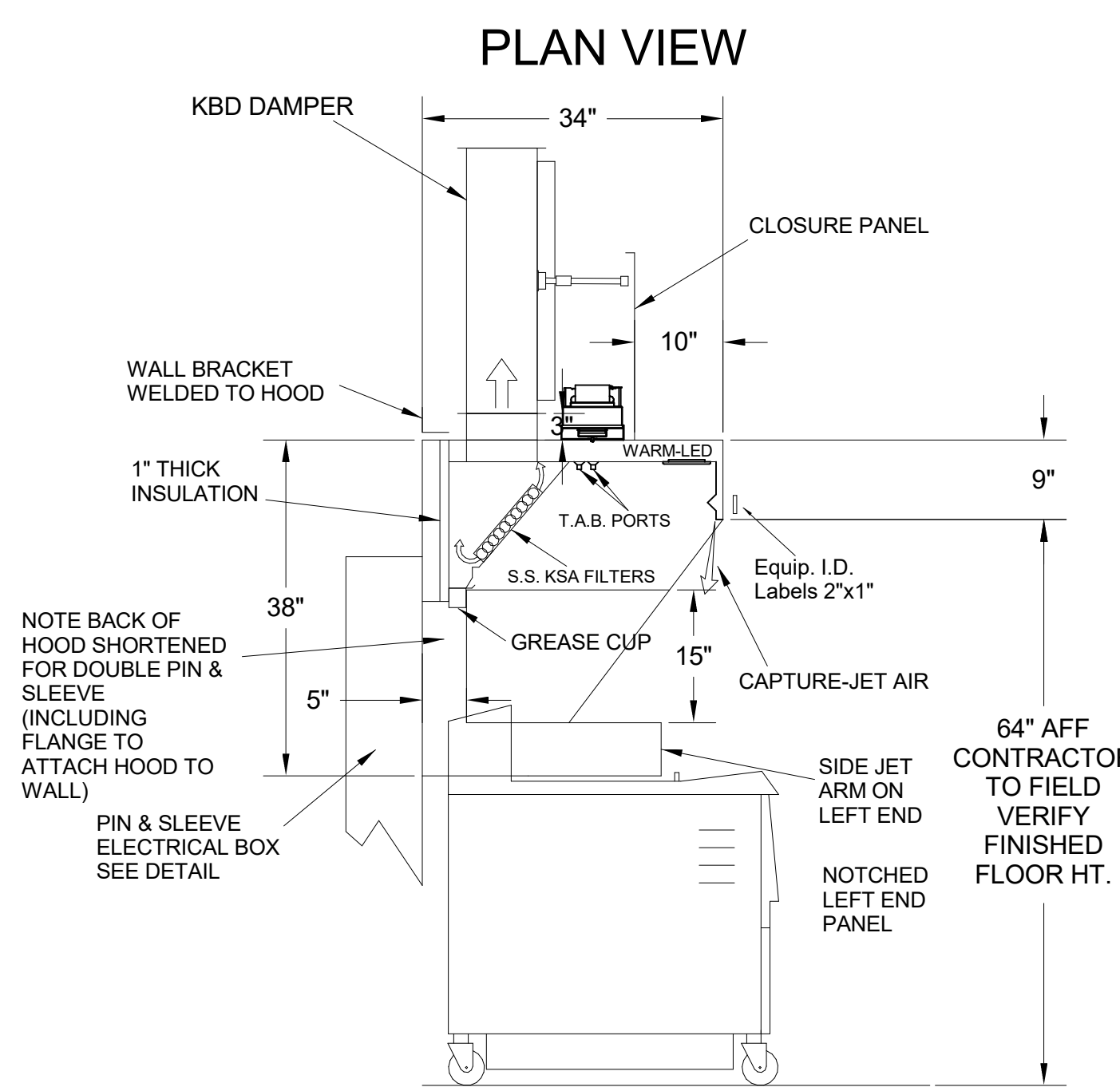


H-1R SECTION VIEW

- CEILING CLOSURE RECESSED 11" FROM FRONT TO CREATE SHELF
- FRONT CLOSURE PANEL WITH 43"x24" ACCESS DOOR FOR ACCESS TO CAPTURE-JET AND FIRE SUPPRESSION
- CONTINUOUS CAPTURE INTERNAL LEFT END CUTOUT
- 3" REAR STAND-OFF TO HAVE 1" THICK INSULATION
- GREASE CUP RIGHT END

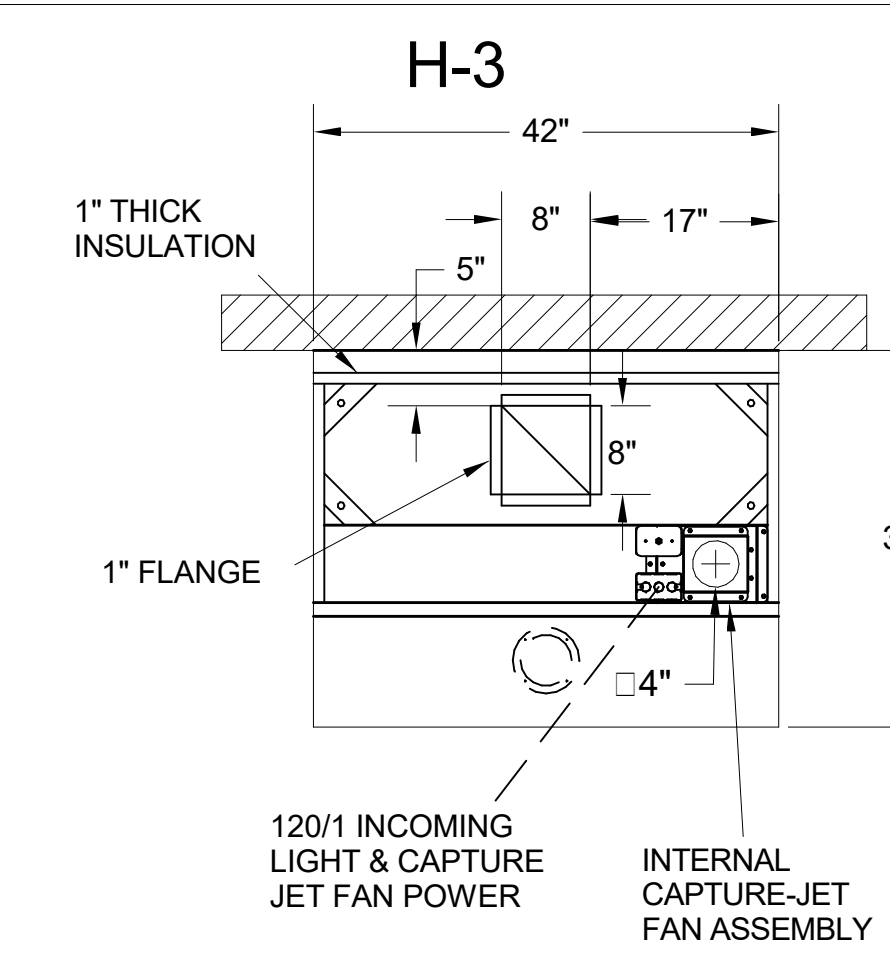
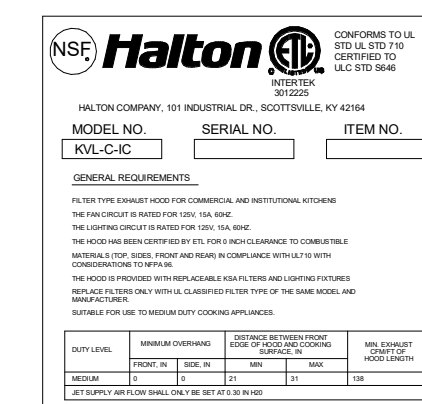


H-2

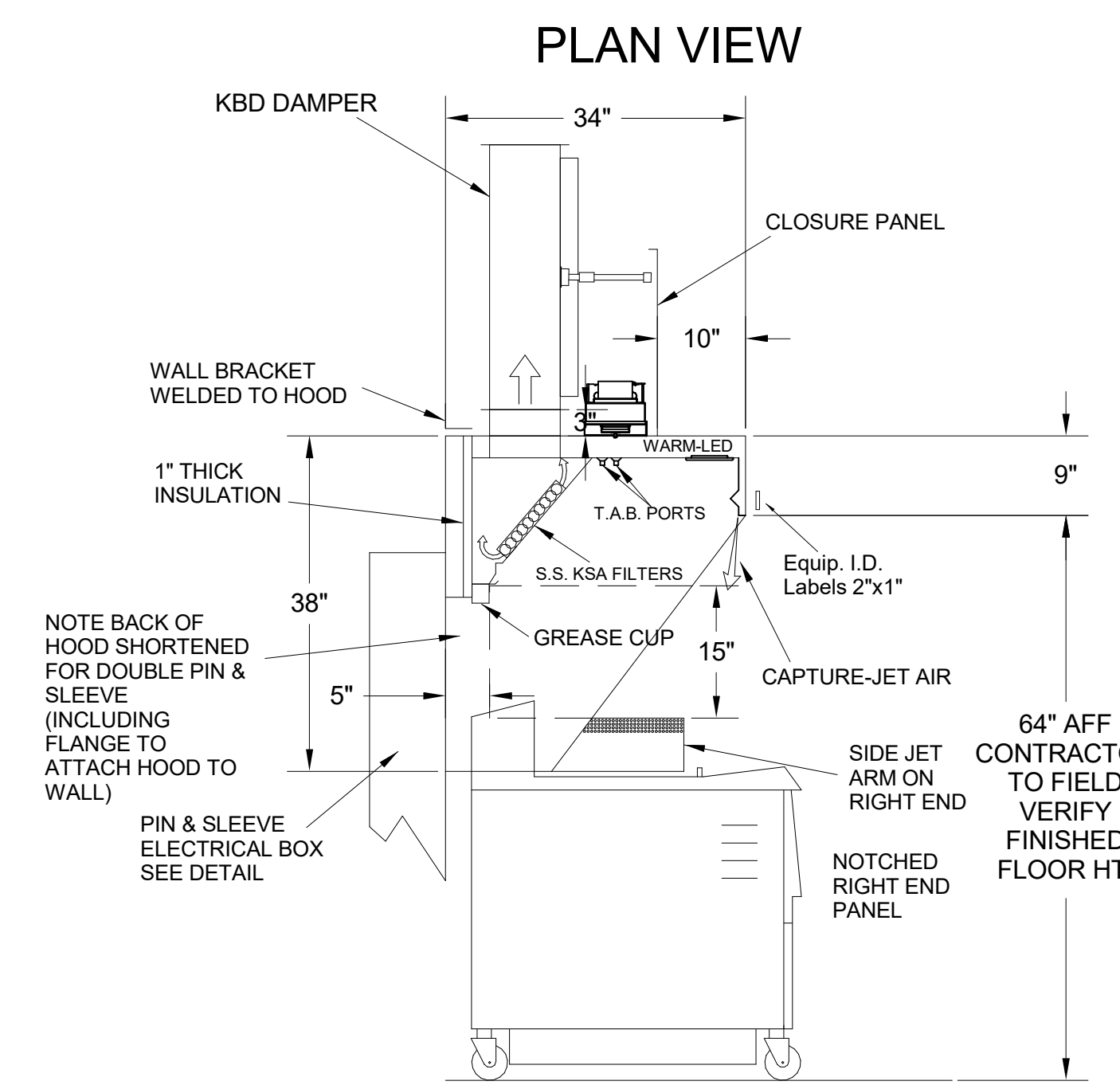


H-2 SECTION VIEW

- CEILING CLOSURE RECESSED 10" FROM FRONT TO CREATE SHELF
- 18"x18" ACCESS DOOR CENTERED AT CAPTURE-JET WITH FRONT CJ INTAKE
- NOTCHED LEFT END PANEL
- DOUBLE RECEPTACLE PIN & SLEEVE
- 3"x3" TRIM STRIP FOR STANDOFF ON RIGHT END
- 3" SIDE & REAR STAND-OFF TO HAVE 1" THICK INSULATION
- GREASE CUP RIGHT END

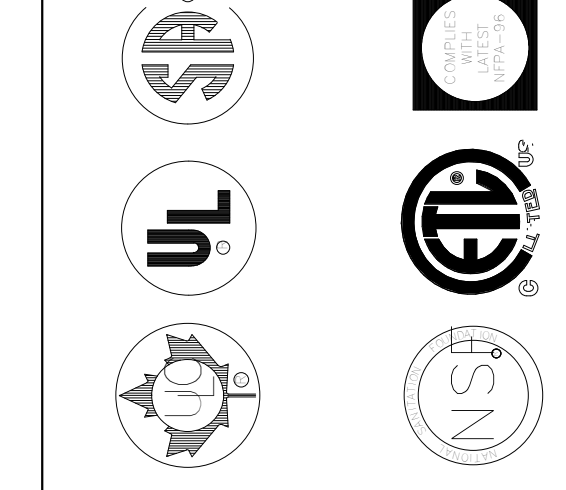
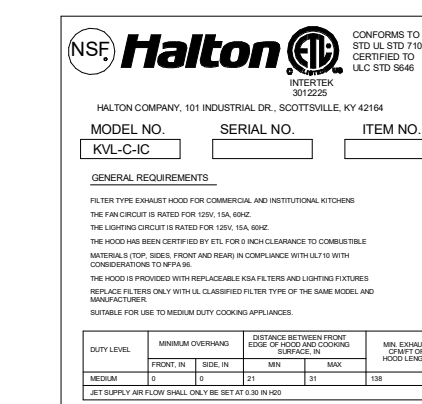


H-3



H-3 SECTION VIEW

- CEILING CLOSURE RECESSED 10" FROM FRONT TO CREATE SHELF
- 18"x18" ACCESS DOOR CENTERED AT CAPTURE-JET WITH FRONT CJ INTAKE
- NOTCHED RIGHT END PANEL
- DOUBLE RECEPTACLE PIN & SLEEVE
- 3" REAR STAND-OFF TO HAVE 1" THICK INSULATION
- GREASE CUP RIGHT END



MAIL APPROVED DRAWINGS TO APPROPRIATE FACTORY. BELOW WEBSITE: WWW.HALTONCOMPANY.COM

DATE	BY	REVISION DESCRIPTION

PROJECT: **CHICK-FL-A**

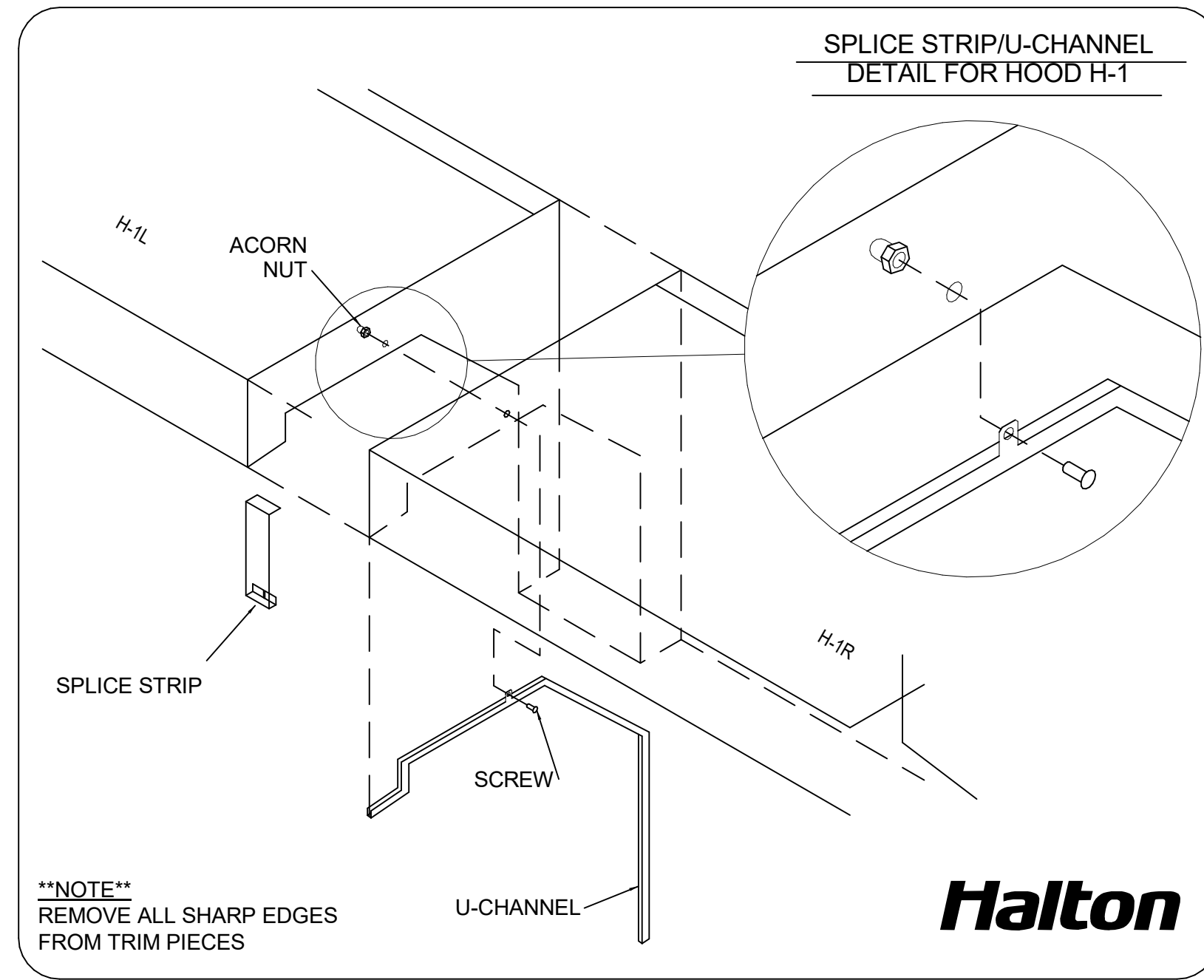
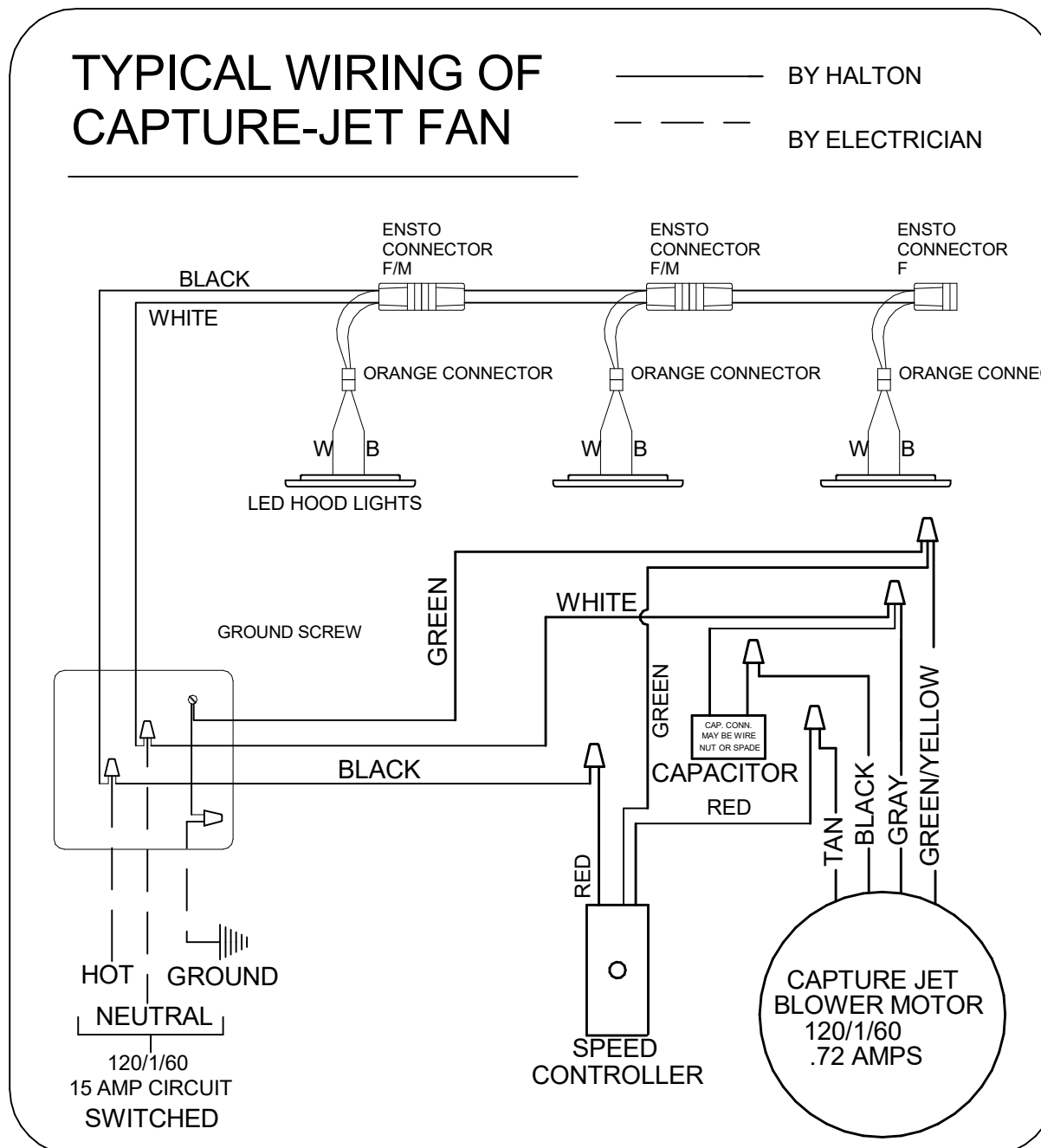
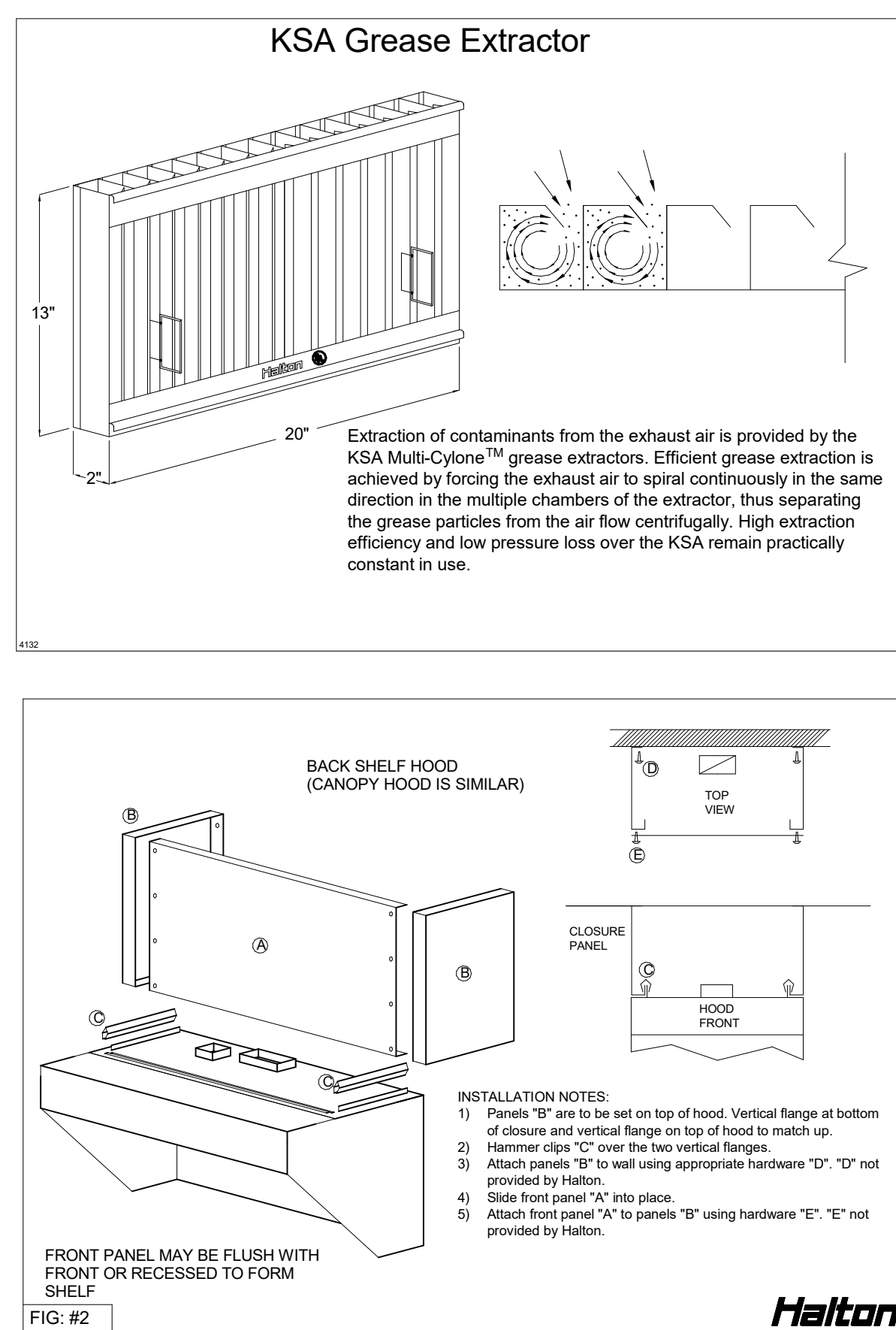
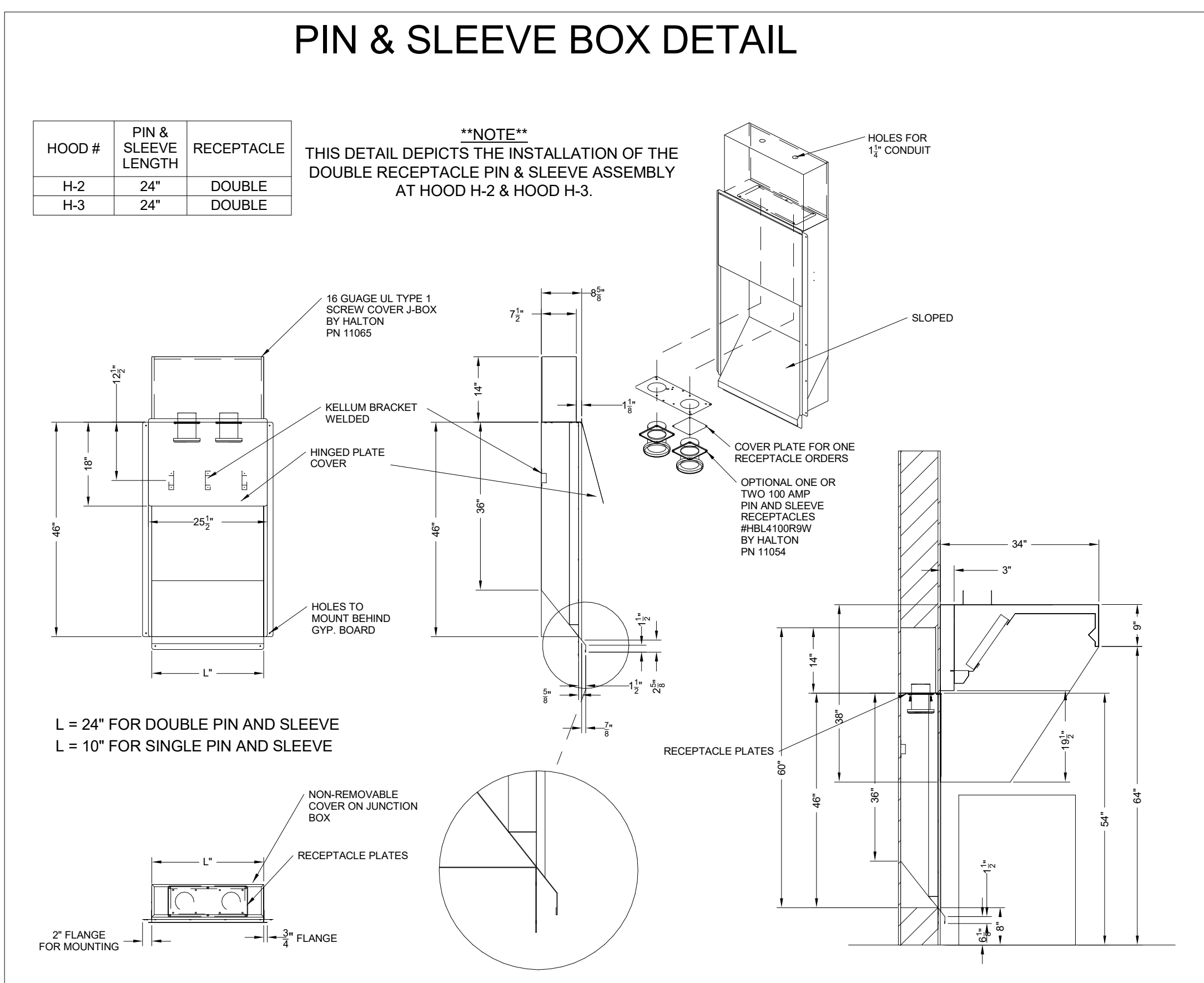
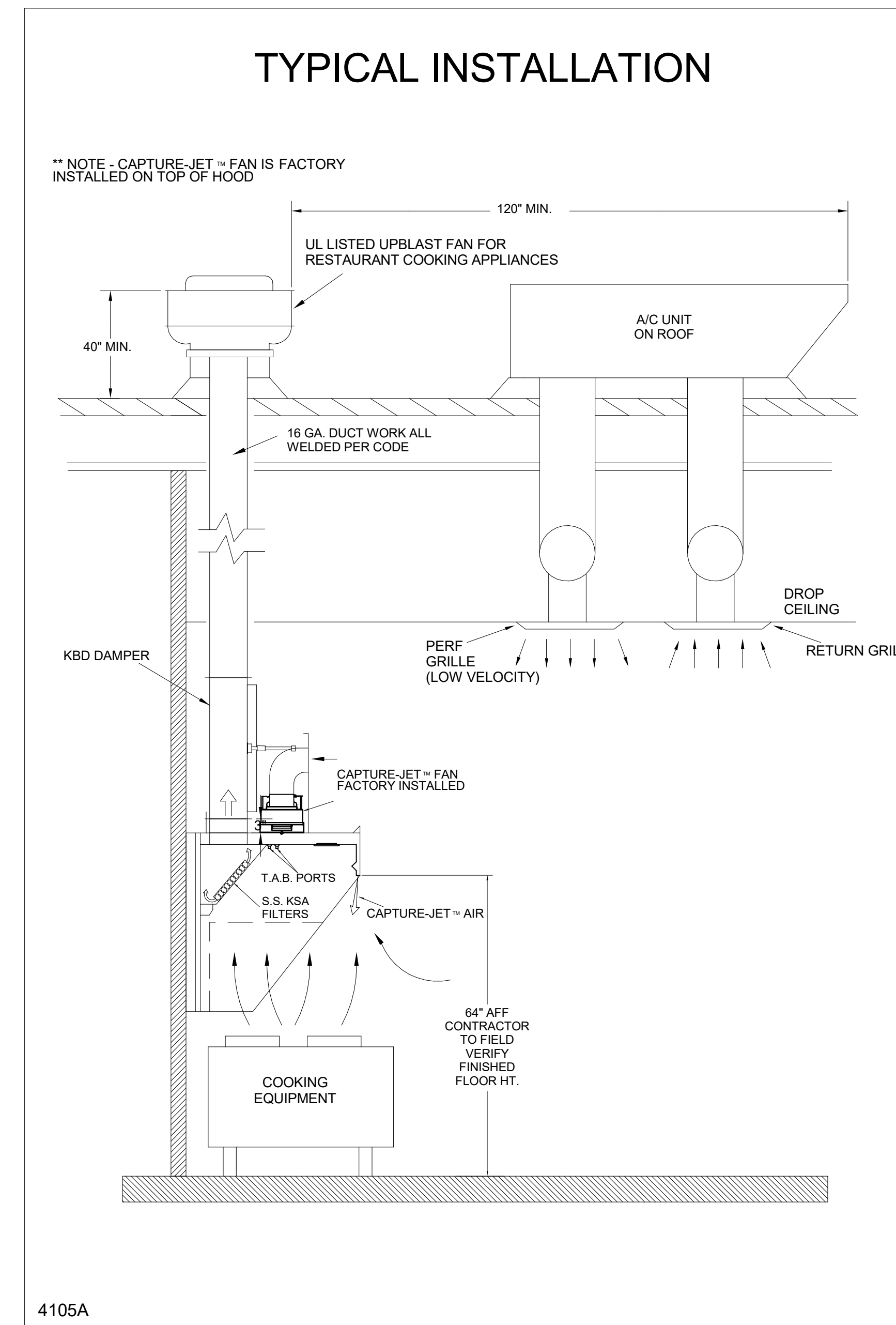
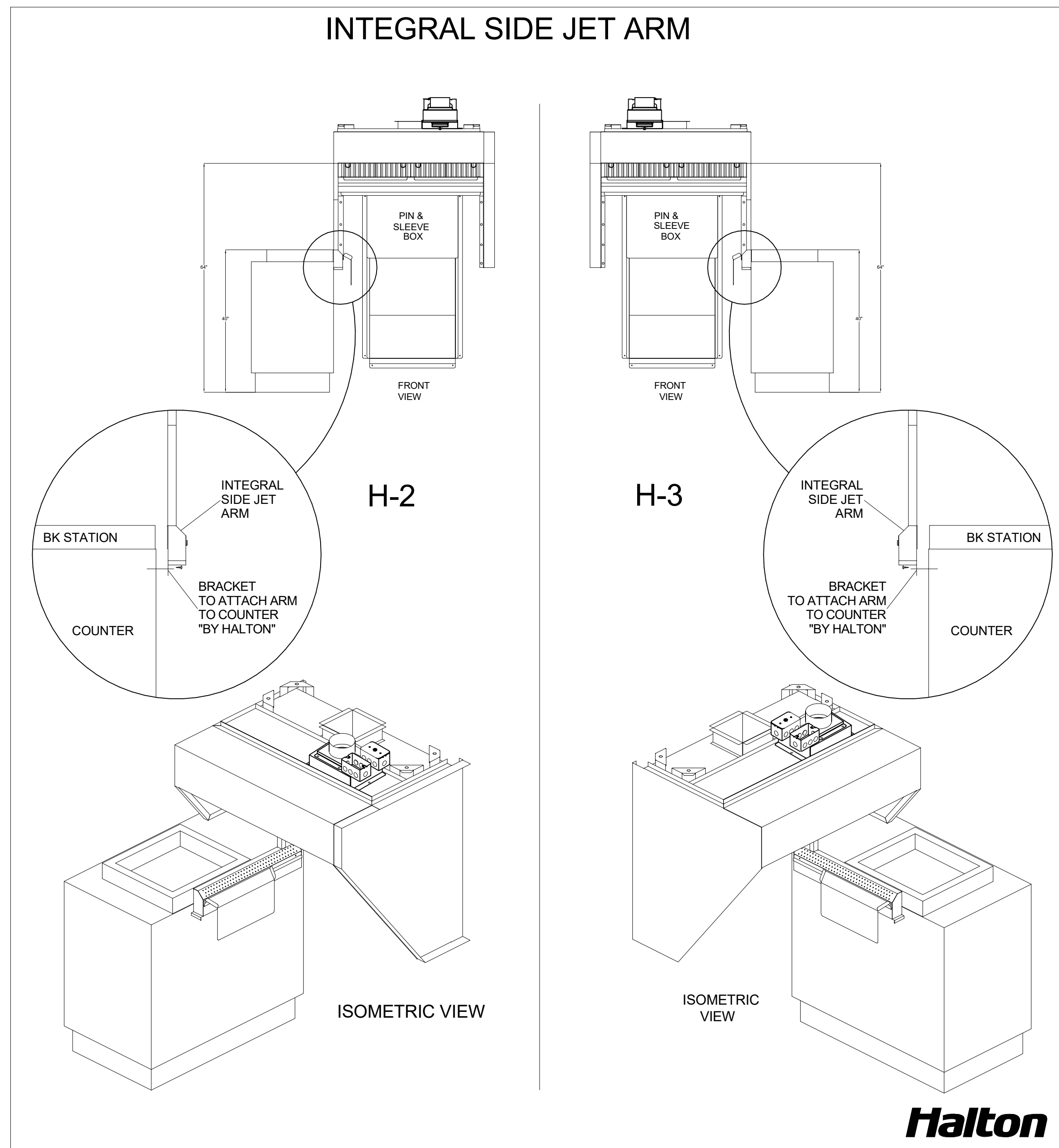
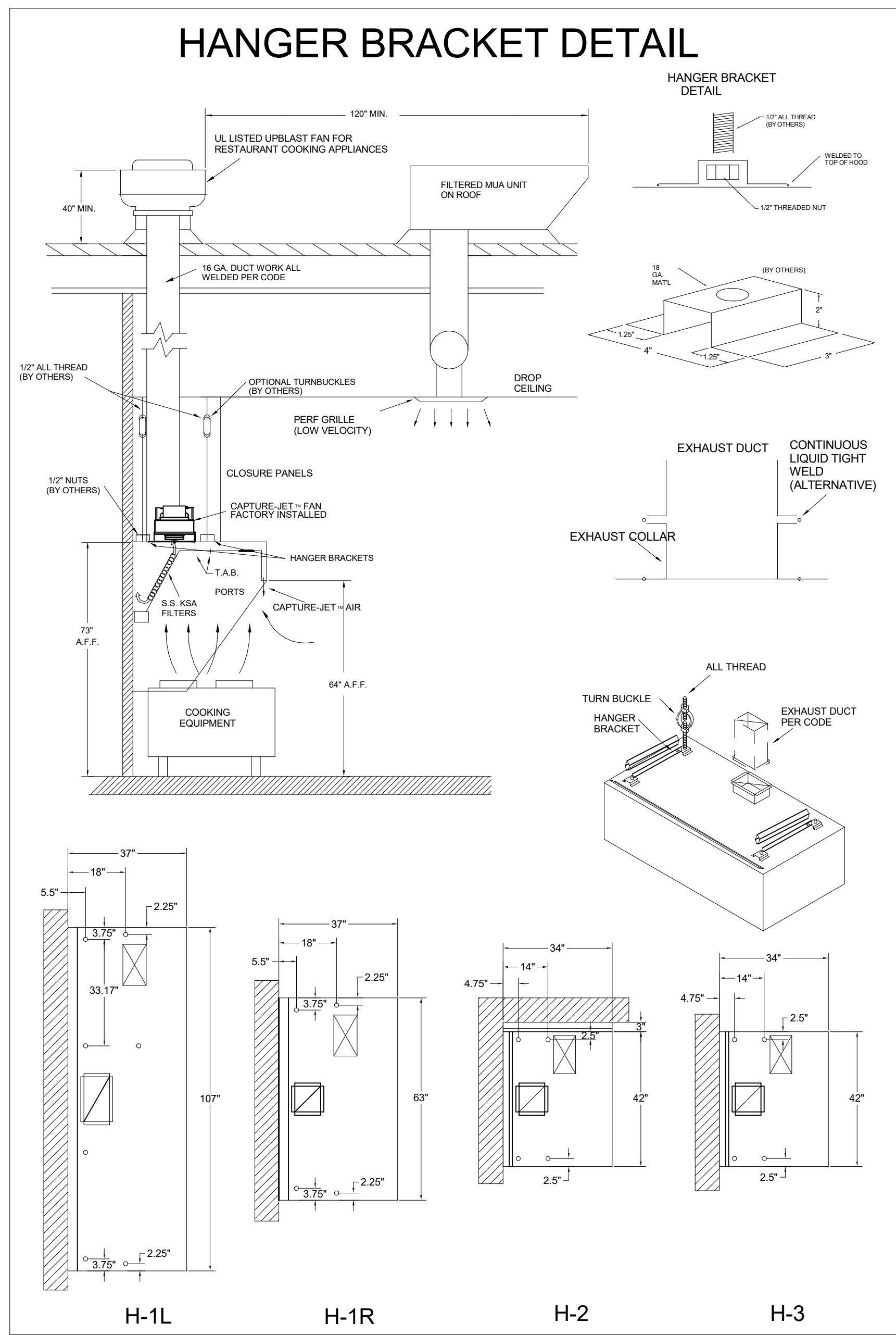
LOCATION: **Hamilton & Wesley FSU**

DRAWN BY: **NTS** DATE: **12/27/2024**

SCALE: **NTS**

SN#: **05702**

Halton logo and tagline: **Halton CARE FOR INDOOR AIR**



NSF Halton CONFORMS TO UL STD UL STD 710 CERTIFIED TO UL STD 8546

HALTON COMPANY, 101 INDUSTRIAL DR., SCOTTSVILLE, KY 42164

MODEL NO. SERIAL NO. ITEM NO.

GENERAL REQUIREMENTS

INSTALLATION NOTES:

- 1) Panels "B" are to be set on top of hood. Vertical flange at bottom of cabinet and vertical flange on top of hood to match up.
- 2) Hammer clips "C" over the two vertical flanges.
- 3) Adjust panels "D" to wall using appropriate hardware "D". "D" not provided by Halton.
- 4) Slide front panel "A" into place.
- 5) Adjust front panel "A" to panels "B" using hardware "E". "E" not provided by Halton.

FRONT PANEL MAY BE FLUSH WITH FRONT OR RECESSED TO FORM SHELF.

FIG. #2

NSF Halton CONFORMS TO UL STD UL STD 710 CERTIFIED TO UL STD 8546

HALTON COMPANY, 101 INDUSTRIAL DR., SCOTTSVILLE, KY 42164

MODEL NO. SERIAL NO. ITEM NO.

GENERAL REQUIREMENTS

INSTALLATION NOTES:

- 1) Panels "B" are to be set on top of hood. Vertical flange at bottom of cabinet and vertical flange on top of hood to match up.
- 2) Hammer clips "C" over the two vertical flanges.
- 3) Adjust panels "D" to wall using appropriate hardware "D". "D" not provided by Halton.
- 4) Slide front panel "A" into place.
- 5) Adjust front panel "A" to panels "B" using hardware "E". "E" not provided by Halton.

FRONT PANEL MAY BE FLUSH WITH FRONT OR RECESSED TO FORM SHELF.

FIG. #2

MAIL APPROVED DRAWINGS TO APPROPRIATE FACTORY. BELOW WEBSITE: WWW.HALTONCOMPANY.COM

Halton

PROJECT: **CHICK-FLA**

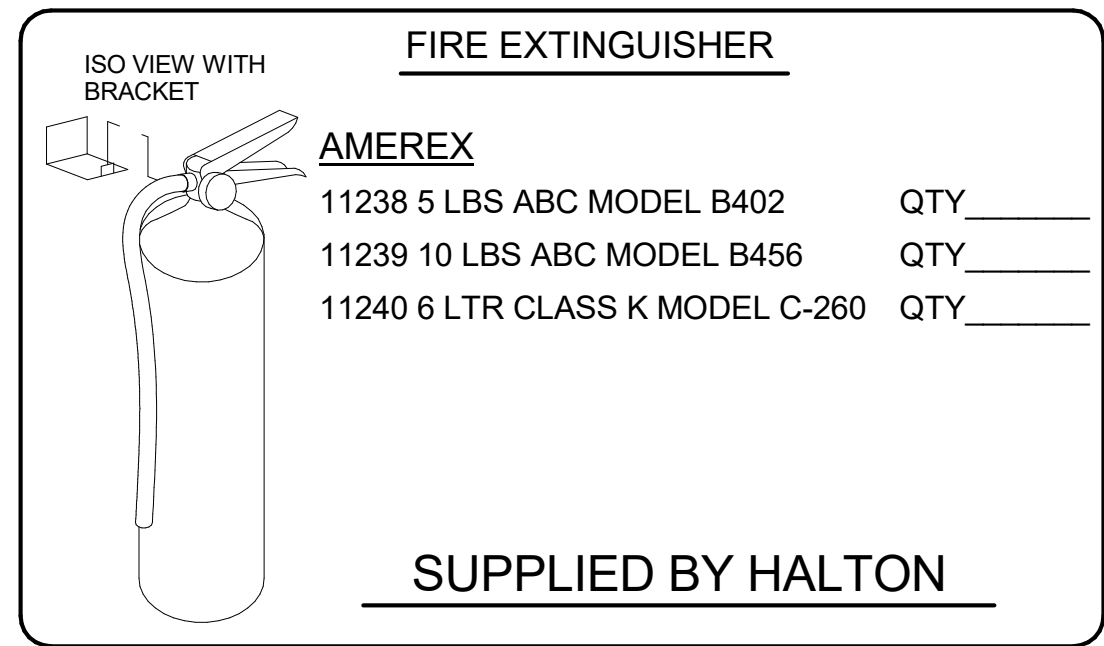
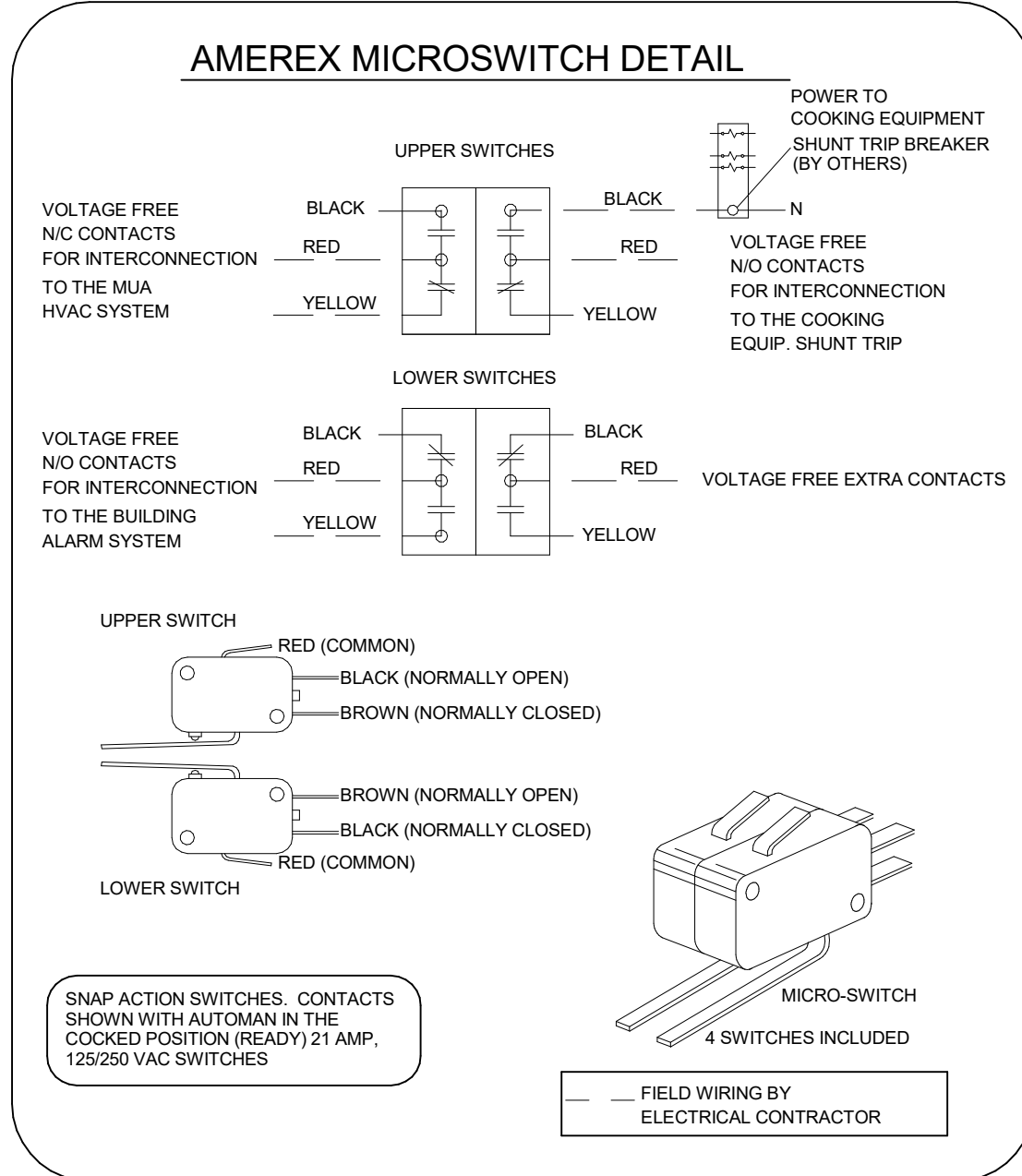
LOCATION: **Hamilton & Wesley FSU**

DRAWN BY: **DATE: 12/27/2024**

SCALE: **NTS**

Halton Dwg: **U24-855-02**

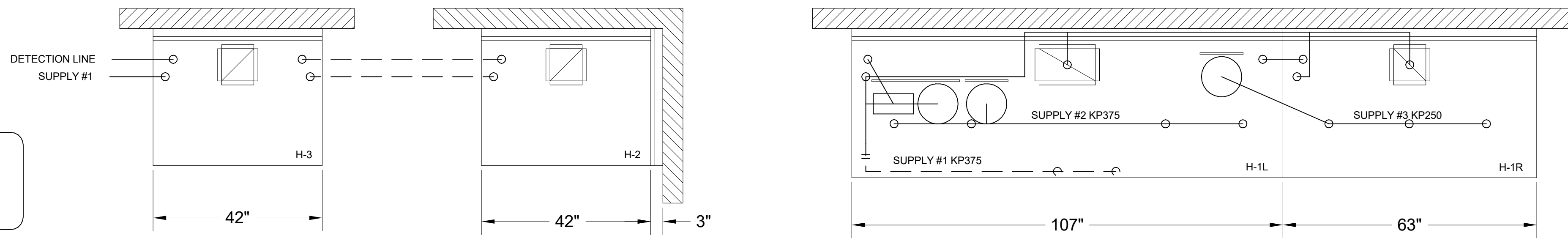
Sheet **MH-1.2**



1/2" BLACK IRON SUPPLY LINE REQ'D FROM TANK TO FIRST BRANCH LINE FOR 475 TANKS ONLY!

****PROTECTS HOODS H-2 & H-3****

REMOTE MOUNTED:
 (1) SYSTEM ENCLOSURE W/
 (1) MECHANICAL RELEASE MODULE
 (1) KP475 AGENT CYLINDER (4.75 GALLON TANK)

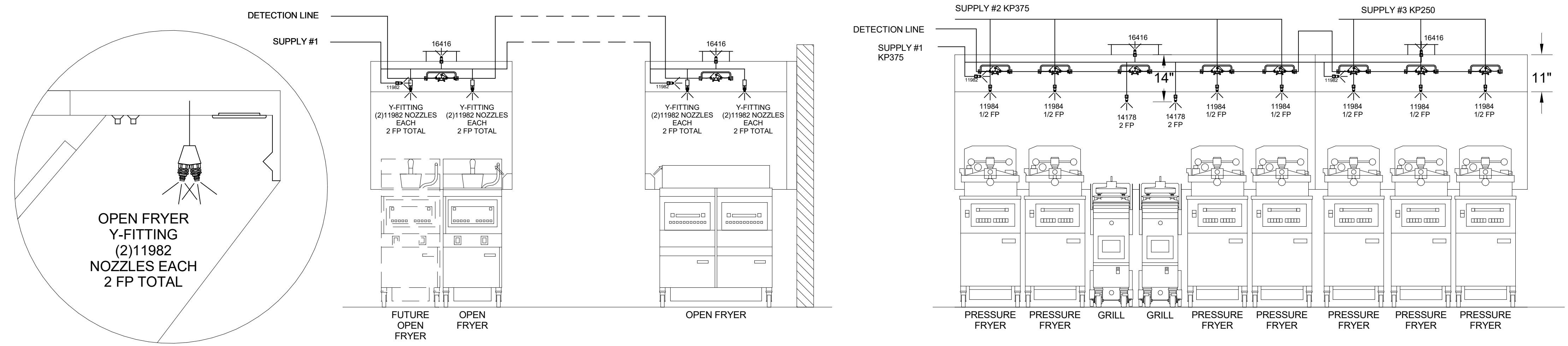


NOZZLE	ID	QTY	DESCRIPTION
16416	0R-0G	1 EA	DUCT NOZZLES
11982	2R-0G	1 PER 10'	PLENUM NOZZLES
11982 Y-FITTING	2R-0G	1 FITTING WITH 2 NOZZLES PER FRYER	ALL OPEN FRYERS
11984	4R-0G	1 PER FRYER	ALL PRESSURE FRYERS
14178	0R-1G	1 PER GRILL	ALL GRILLS

AMEREX FIRE SYSTEM
 A) (2) KP375 TANKS & (1) KP250 TANK - 29 FLOW POINTS (MOUNTED ON HOOD H-1L FOR HOODS H-1L & H-1R)
 B) 1/2" & 3/8" BLACK IRON PIPING WITH 3/8" S.S. APPLIANCE DROPS

(1) MECHANICAL RELEASE MODULE
 (2) EXTRA MICRO SWITCH ASSEMBLIES (MOUNTED IN MECHANICAL REL. MODULE)
 (1) 2.91 GALLON TANK
 (2) 3.75 GALLON TANKS

PRESSURE FRYER AND GRILL NOZZLES WITH SWIVELS ONLY



AMEREX FIRE SYSTEM LAYOUT

AMEREX

FUSIBLE LINK RATINGS
 ITEM TEMP
 OPEN FRYERS 450°
 2 BURNER / FLAT TOP 450°
 PRESSURE FRYERS 450°
 GRILL 450°
 EXHAUST COLLARS 450°
 AMEREX FIRE SYSTEM NOTES
 (2) KP375 & (1) KP250 TANK SYSTEM MOUNTED ON TOP OF (H-1L)
 MAXIMUM FLOW POINTS = 29
 AMEREX FIRE SYSTEM NOTES
 (1) KP475 TANK SYSTEM REMOTE MOUNTED
 MAXIMUM FLOW POINTS = 14

ITEM	QTY	DESCRIPTION	FLOW PTS (TOTAL)
16416	4	DUCT NOZZLES	4
11982	4	PLENUM NOZZLES	4
11982 Y-FITTING	4	APPLIANCE NOZZLES	8
14178	2	APPLIANCE NOZZLES	4
11984	7	APPLIANCE NOZZLES	3.5
		TOTAL FLOW POINTS	23.5
ITEM	QTY	DESCRIPTION	FLOW PTS (TOTAL)
12508-P001	10	DETECTORS BRACKET ASSEMBLY	
26948	1	KP250 AGENT CYLINDER	
13334	2	KP375 AGENT CYLINDER	
17379	1	KP475 AGENT CYLINDER	
18001	1	MECHANICAL RELEASE MODULE WITH ENCLOSURE WITH DOUBLE POLE MICRO SWITCH	
11977	1	MECHANICAL RELEASE MODULE WITHOUT ENCLOSURE WITH DOUBLE POLE MICRO SWITCH	
21481	2	REMOTE MANUAL PULL STATION	

AMEREX FIRE SYSTEM
 UL LISTED PER STD LATEST STD 300

- FINAL INSTALLATION IS TO BE MADE IN ACCORDANCE WITH ALL APPLICABLE CODES
- ALL ELECTRICAL COMPONENTS FOR EQUIPMENT SHUT DOWN TO BE PROVIDED BY THE ELECTRICIAN. MICRO-SWITCH INSTALLED IN REGULATED RELEASE BY AMEREX INSTALLER
- REMOTE PULL STATION LOCATED PER MECHANICAL DRAWINGS

MAIL APPROVED DRAWINGS TO APPROPRIATE FACTORY. BELOW WEBSITE: WWW.HALTONCOMPANY.COM

PROJECT: **CHICK-FL-A**

LOCATION: **Hamilton & Wesley FSU**

DRAWN BY: **Hamilton & Wesley FSU** DATE: **12/27/2024**

SCALE: **NTS**

Halton
 CARE FOR INDOOR AIR

Sheet **MH-1.3**

REVISION: 1
 2
 3
 4
 5
 6
 7

DATE

BY

REVISION DESCRIPTION

1-270-237-5600

HALTON CO. (CANADA)
 1021 BREVIK PLACE
 MISSISSAUGA, ON L4W 3R7

HALTON CO. (USA)
 101 INDUSTRIAL DRIVE
 SCOTTSDALE, AZ 85264

UL LISTED

NSI

APPROVED BY: _____

WITH CHANGES AS NOTED

WITH NO CHANGES

REVISE AND RESUBMIT

APPROVED FOR FABRICATION

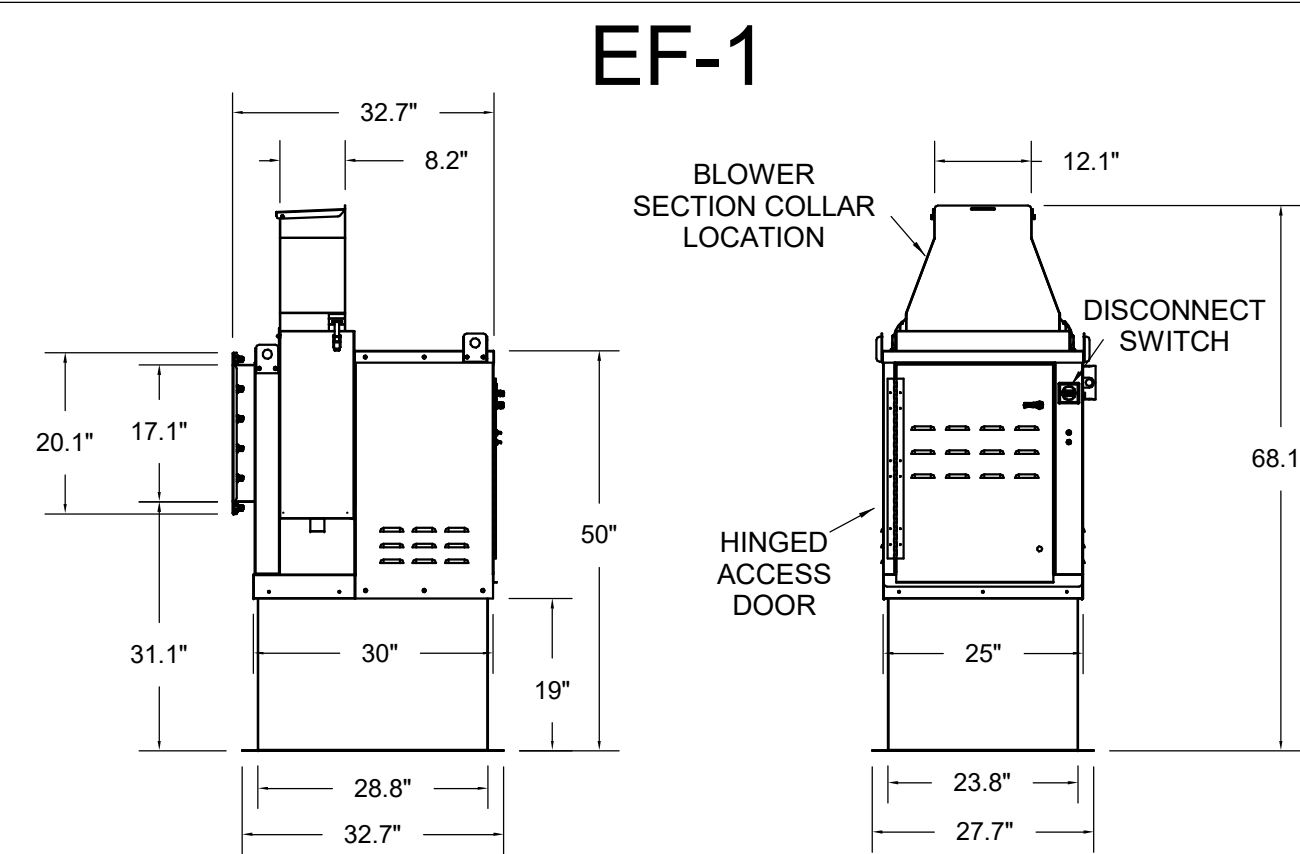
ALL DIMENSIONS UNLESS OTHERWISE SPECIFIED ARE IN INCHES AND DECIMALS THEREOF. ALL DIMENSIONS SHALL BE TO FACE UNLESS OTHERWISE SPECIFIED.

1. ALL DIMENSIONAL INFORMATION, INCLUDING POSITIONS AND CLEARANCES, TO TYPE OF COOKING EQUIPMENT, SHALL BE TO THE CENTERLINE OF THE EQUIPMENT UNLESS OTHERWISE SPECIFIED.

2. ALL DIMENSIONAL INFORMATION, INCLUDING POSITIONS AND CLEARANCES, TO TYPE OF COOKING EQUIPMENT, SHALL BE TO THE CENTERLINE OF THE EQUIPMENT UNLESS OTHERWISE SPECIFIED.

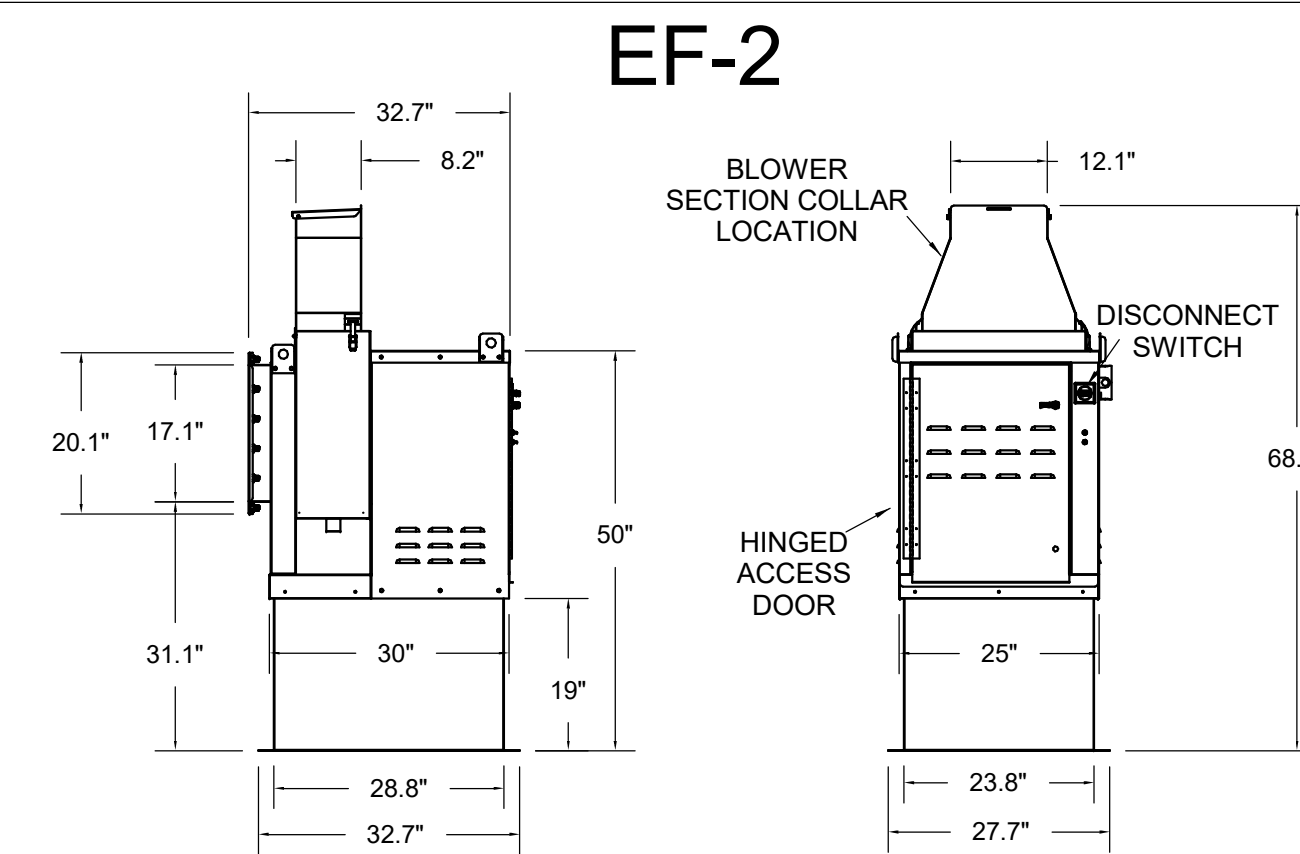
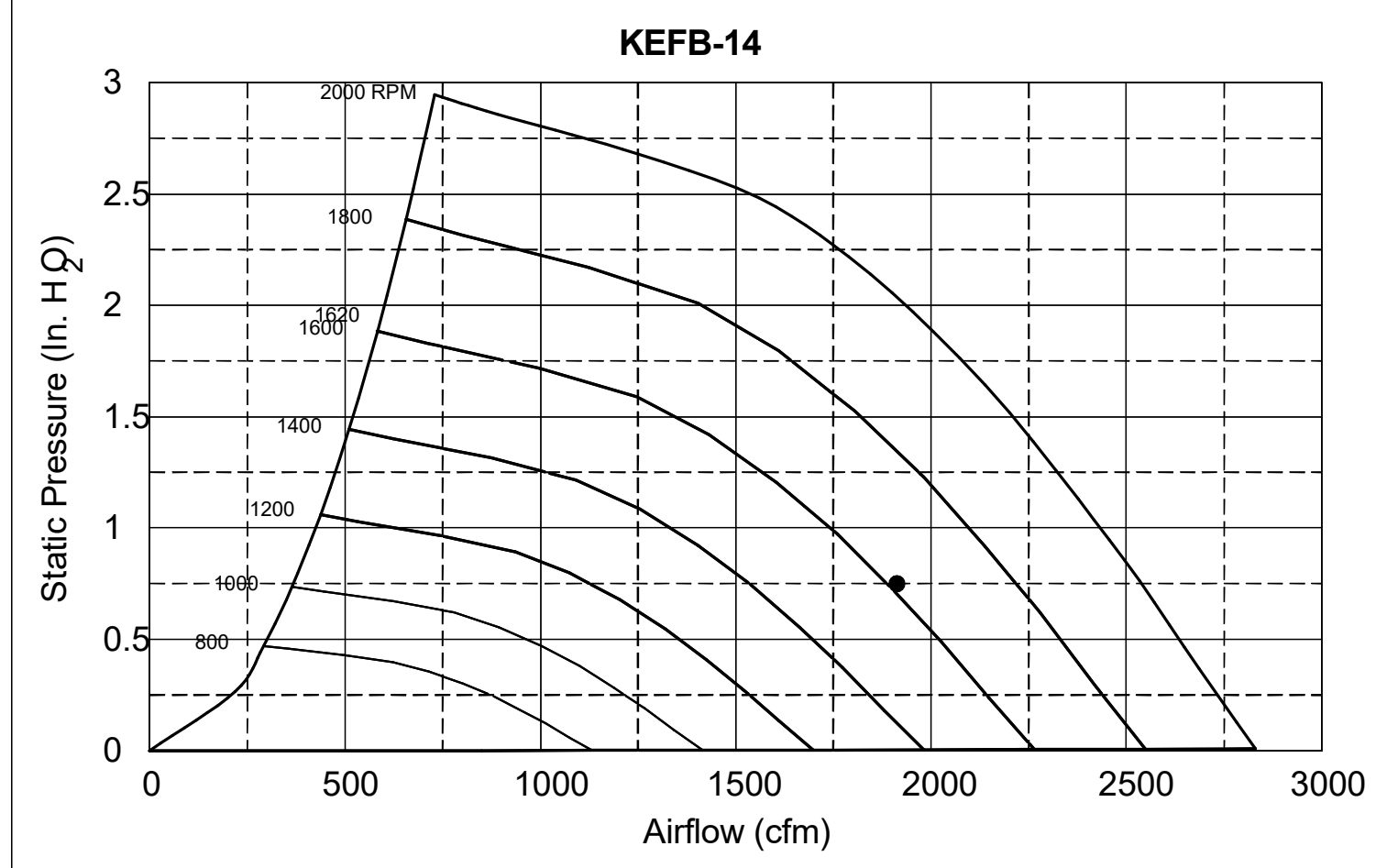
3. ALL DIMENSIONAL INFORMATION, INCLUDING POSITIONS AND CLEARANCES, TO TYPE OF COOKING EQUIPMENT, SHALL BE TO THE CENTERLINE OF THE EQUIPMENT UNLESS OTHERWISE SPECIFIED.

4. ALL DIMENSIONAL INFORMATION, INCLUDING POSITIONS AND CLEARANCES, TO TYPE OF COOKING EQUIPMENT, SHALL BE TO THE CENTERLINE OF THE EQUIPMENT UNLESS OTHERWISE SPECIFIED.



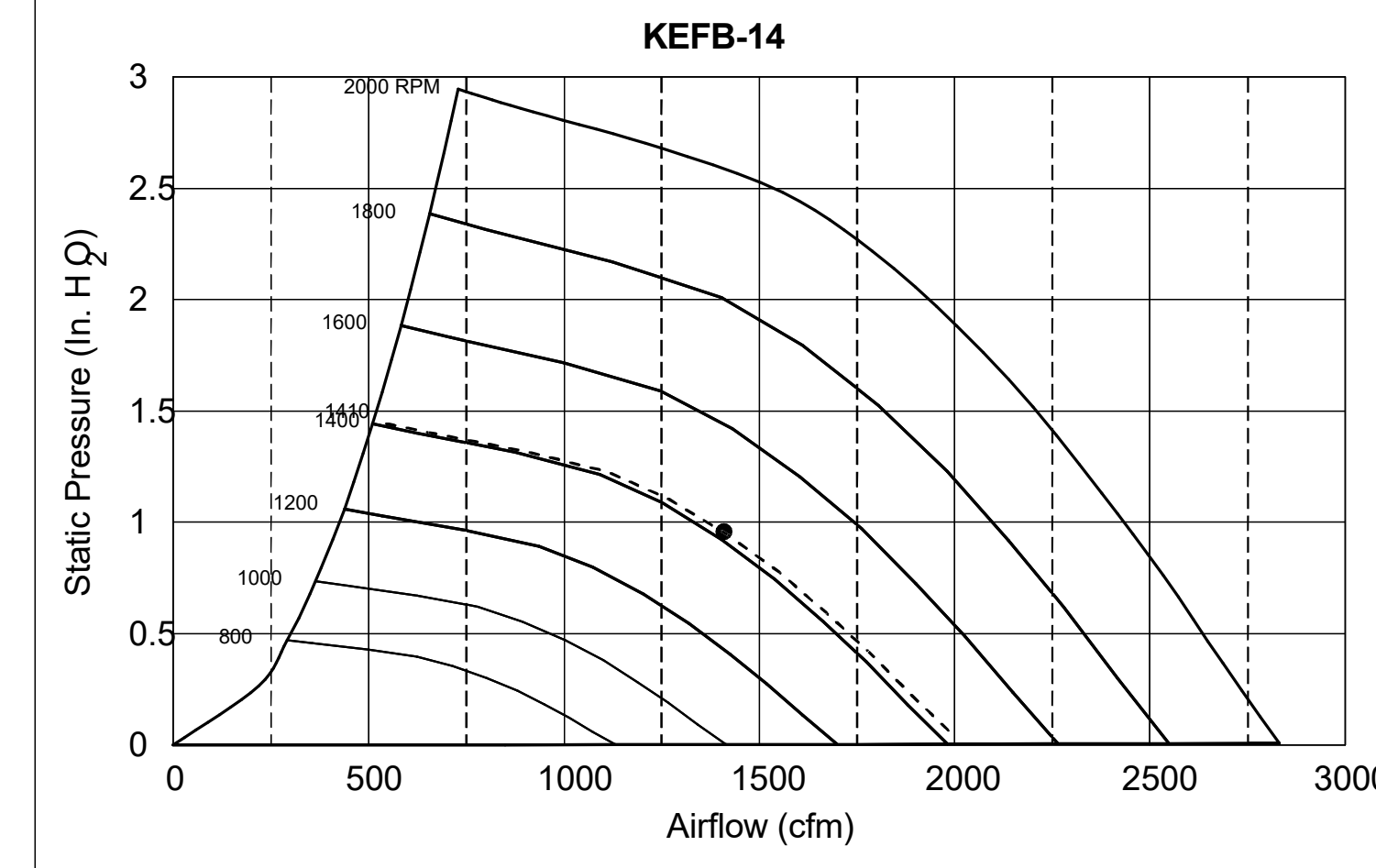
Halton KEFB Exhaust Fan

Job Name	Chick-#A	Location	EF-1	Item No	1620	Qty	115/160
Date	1/26/2023	Model	KEFB-14	Fan RPM	1620	Fan BHP	0.55
Airflow, cfm	1,912	Static Pressure, in WC	0.75	Volts/Ph/Amps	208/1/3	Motor HP	0.75
						dB	85.3
							0.75
							2.1



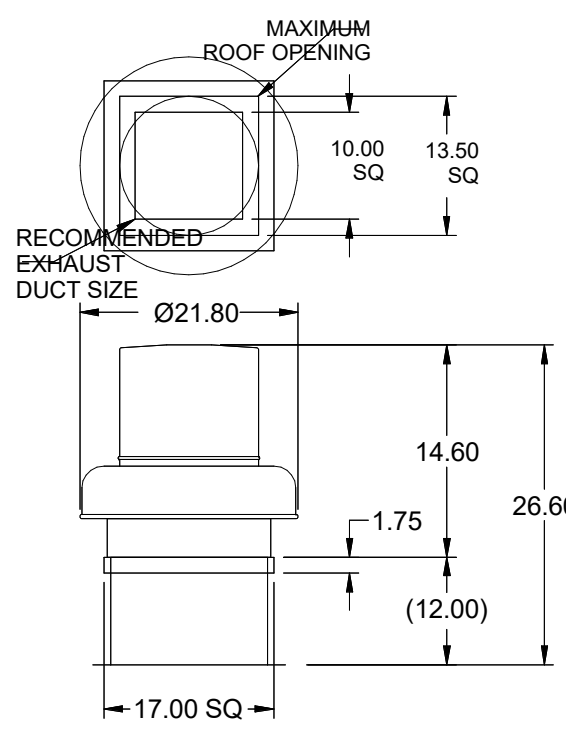
Halton KEFB Exhaust Fan

Job Name	Chick-#A	Location	EF-2	Item No	1410	Qty	115/160
Date	1/26/2023	Model	KEFB-14	Fan RPM	1402	Fan BHP	0.38
Airflow, cfm	1,402	Static Pressure, in WC	0.95	Volts/Ph/Amps	208/1/3	Motor HP	0.75
						dB	81.6
							2.1



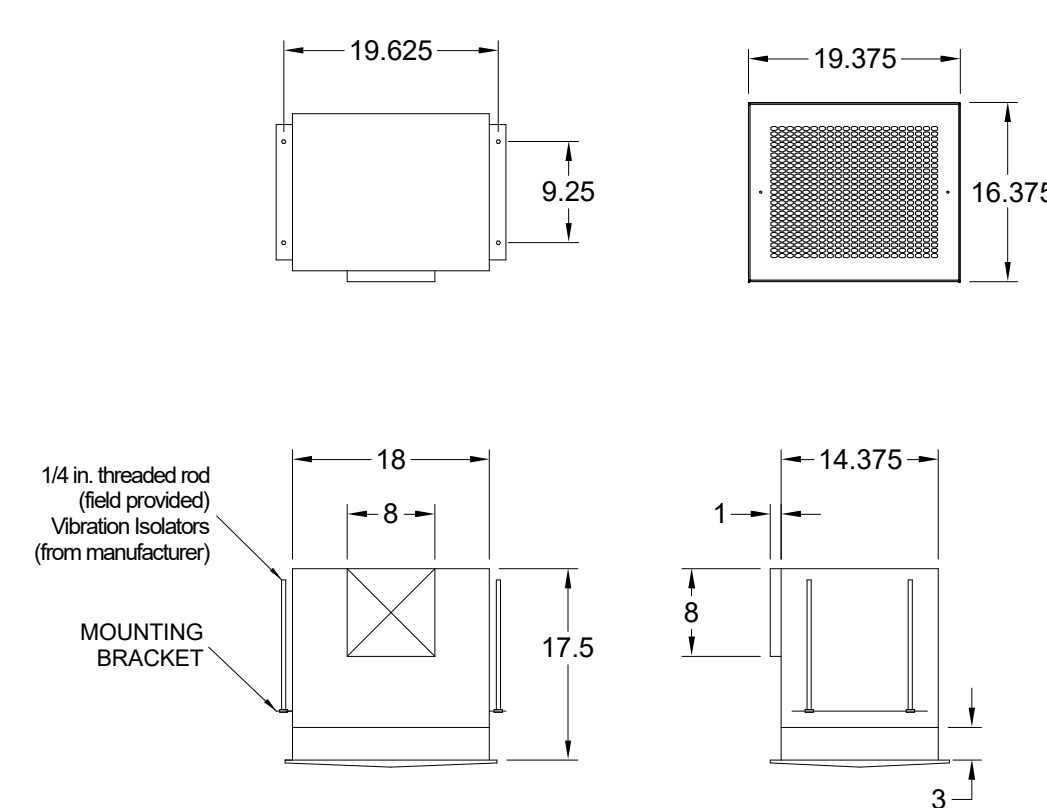
Model: XRED-095-VG
Direct Drive Centrifugal Roof Exhaust Fan

Dimensional	
Quantity	1
Weight w/ Acc's (lb)	28
Weight w/ Acc's (lb)	35
Weight w/ Acc's and Curb (lb)	49
Standard Curb Cap Size (in.)	17 x 17
Optional Damper (in.)	10 x 10
Roof Opening (in.)	13.5 x 13.5

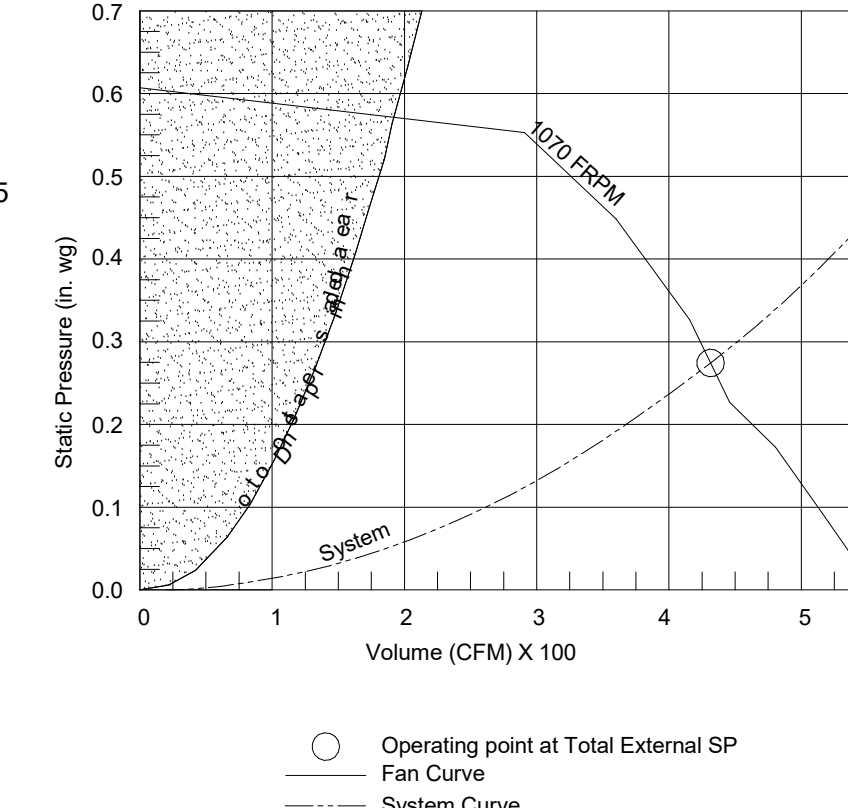
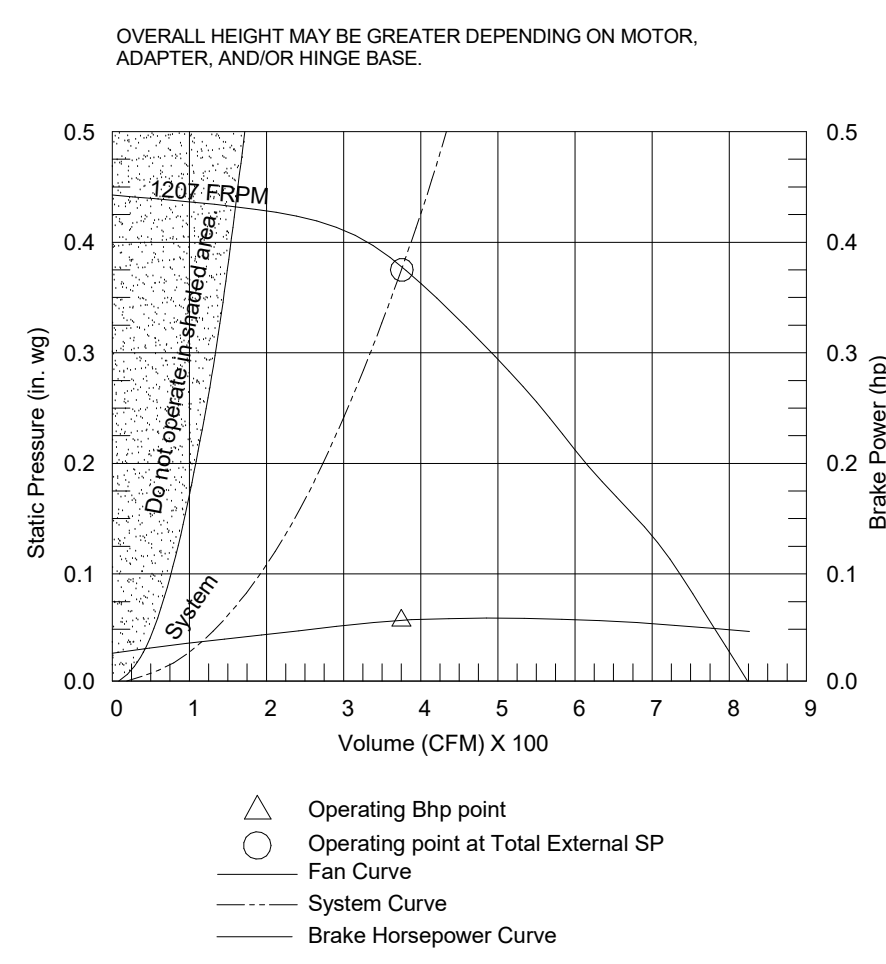


Model: SP-A510-VG
RF-1

Dimensional	
Quantity	1
Weight w/ Acc's (lb)	31
Weight w/ Acc's (lb)	40

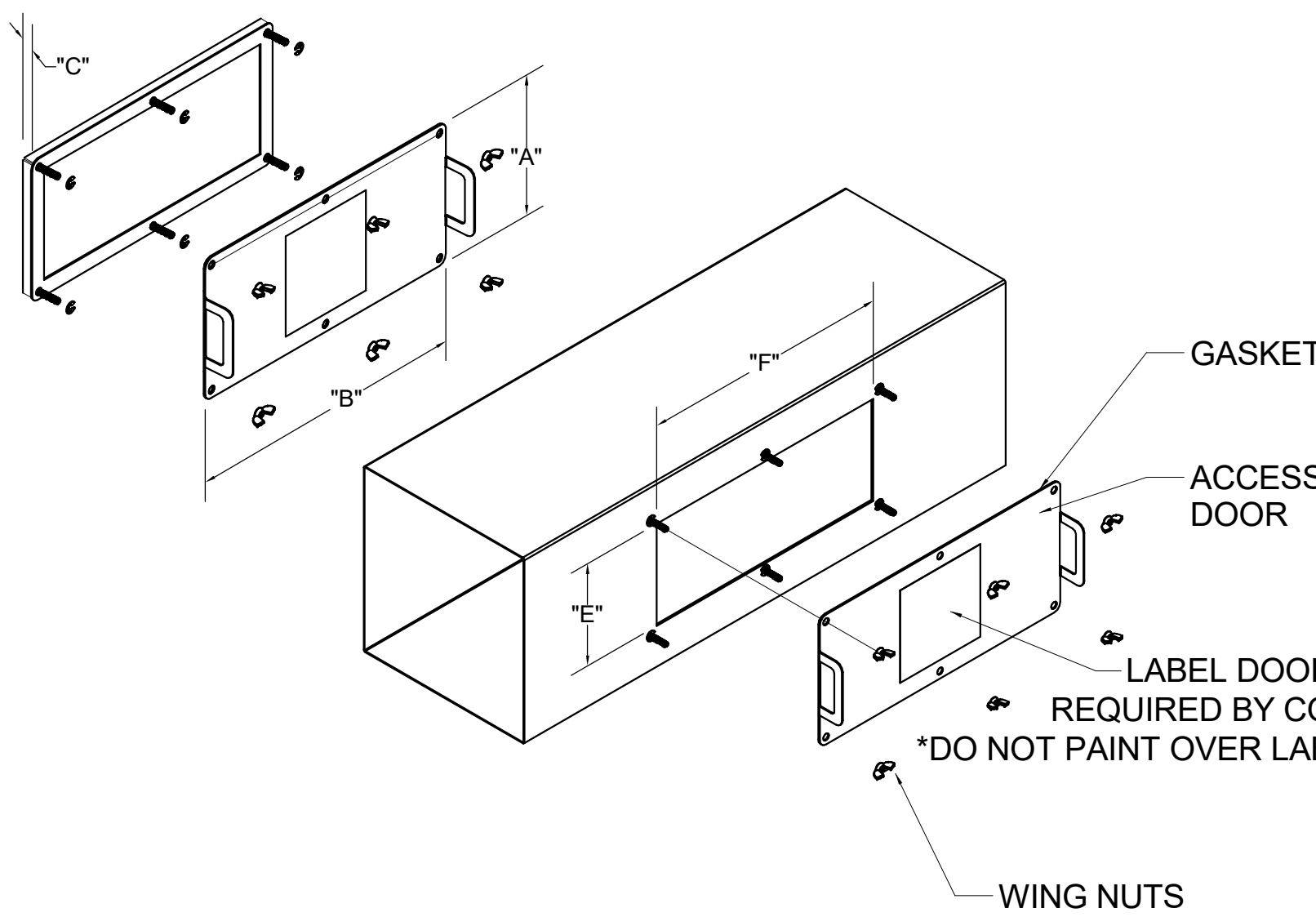


EF-3



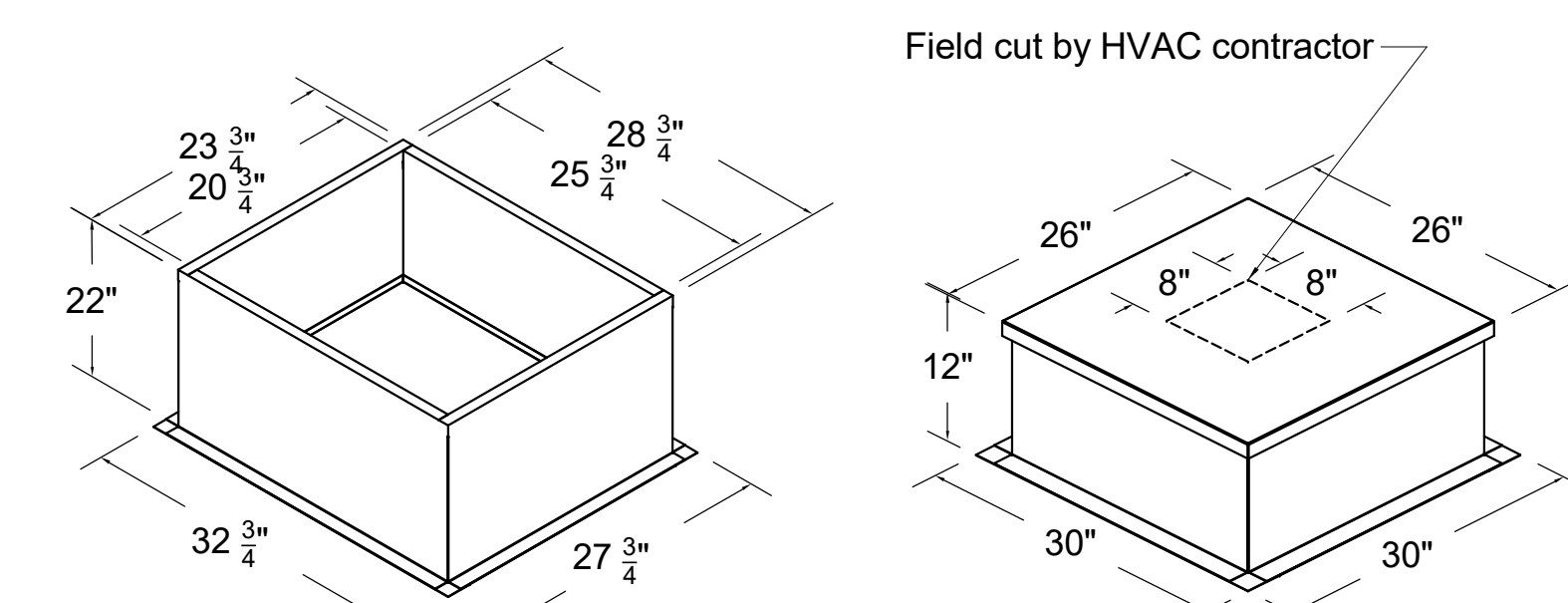
GREASE ACCESS DOOR SCHEDULE				
MODEL	"A"	"B"	"C"	"E"
KAP0715	7	15	FLAT	5.5
KAP1015	10	15	1/2	7

ACCESS DOORS SHALL BE U.L. 1978 LISTED OR FIELD FABRICATED, REQUIRE NO TOOLS FOR REMOVAL AND MEET THE REQUIREMENTS OF THE CURRENT EDITION OF THE IMC. ACCESS DOOR SHALL BE SECURED WITH THUMB SCREWS. ACCESS DOORS SHALL BE SEALED WITH A MINIMUM 1500 DEGREE GASKET MATERIAL

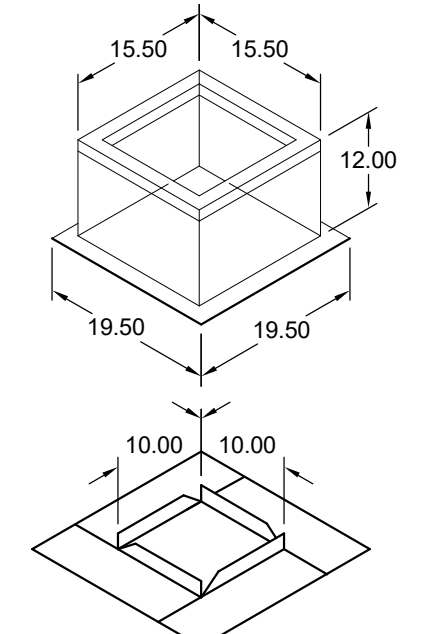


INSTALL PER MANUFACTURER'S INSTRUCTIONS

Halton Kitchen Exhaust Fan Curb Insulated Duct Curb



- Kitchen Exhaust Fan Roof Curb Standard Construction Features:**
 - Roof Curb fits between the building roof and the fan mounted directly to the roof support structure
 - Constructed of 18 ga aluminumized steel
 - Straight Sided without a cant
 - 2 in. mounting flange
 - Height is 22 in.
- Insulated Duct Curb Standard Construction Features:**
 - Duct Curb fits between the building roof and the fan mounted directly to the roof support structure
 - Constructed of 18 ga aluminumized steel
 - Straight Sided without a cant
 - 2 in. mounting flange
 - Height is 12 in.
 - 16 ga. cap



Model: GPI For Model: XRED-090-VG Curb & Damper Tray

ACCESSORIES	
MATERIAL GALVANIZED	NO
SECURITY BARS	NO
INSULATION LINER	NO
INSULATION R VALUE	1 R4.3

GENERAL						
TAG	QTY	MODEL	SIZING METHOD	UNDERSIZING (in.)	WEIGHT (lb)	SHIPPED ASSEMBLED UNION LABEL
EF-3	1	GPI-17	NOMINAL	1.5	14	YES

DIMENSIONS										
CURB HEIGHT (in.)	NOMINAL OUTSIDE WIDTH (in.)	NOMINAL OUTSIDE LENGTH (in.)	ACTUAL OUTSIDE WIDTH (in.)	ACTUAL OUTSIDE LENGTH (in.)	ACTUAL INSIDE WIDTH (in.)	ACTUAL INSIDE LENGTH (in.)	FLANGE WIDTH (in.)	FLANGE LENGTH (in.)	HINGE BASE WIDTH (in.)	HINGE BASE LENGTH (in.)
12	17	17	15.5	15.5	12	12		19.5	16	

PROJECT: **CHICK-FL-A**

LOCATION: **Hamilton & Wesley FSU**

DRAWN BY: **NTS** DATE: **12/27/2024**

SCALE: **1:1**

Halton C.O. (CANADA) 1021 BREVIK PLACE MISSISSAUGA, ON L4W 3R7 1-905-624-0301

Halton C.O. (USA) 101 INDUSTRIAL DRIVE SCOTTSVILLE, KY 42764 1-270-237-5600

REVISION: 1 BY: DATE

2 BY: DATE

3 BY: DATE

4 BY: DATE

5 BY: DATE

6 BY: DATE

7 BY: DATE

SN#: 05702

DATE: 12/27/2024

Scale: NTS

Halton Dwg: U24-855-04

Sheet **MH-1.4**

