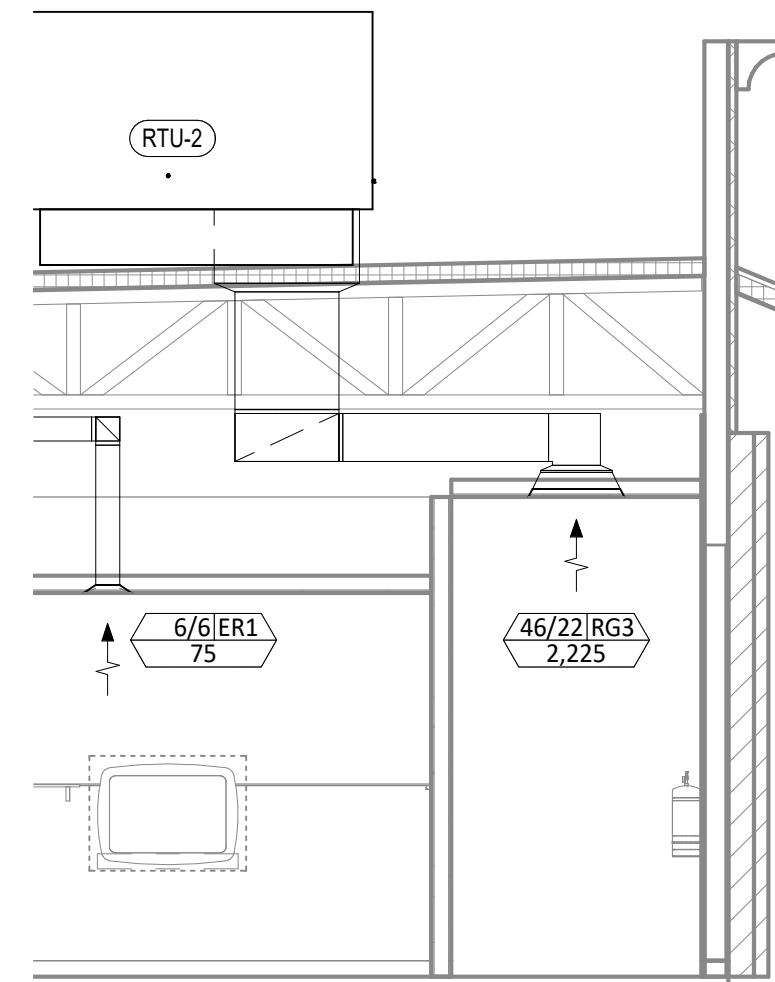
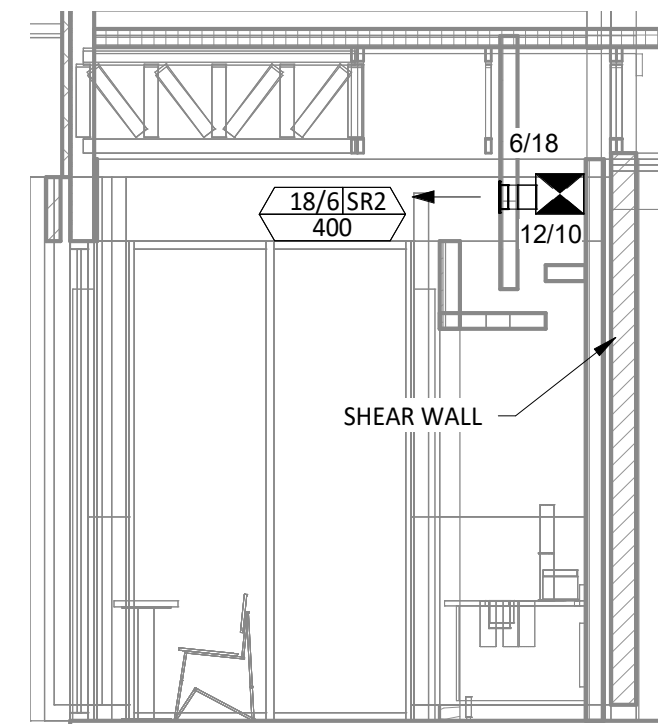


HVAC PLAN NOTES

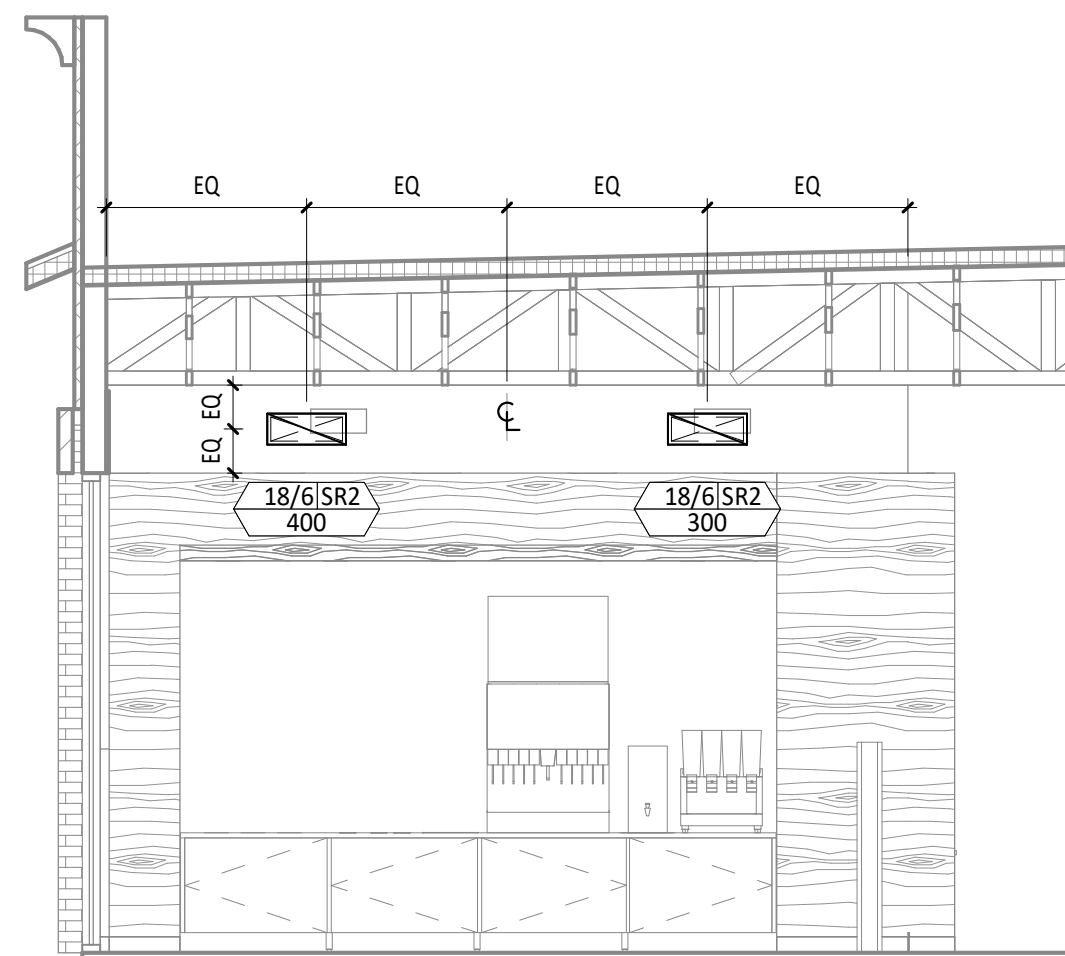
- SEE ARCHITECTURAL REFLECTED CEILING PLAN FOR CEILING MOUNTED EQUIPMENT LOCATION. TYPICAL.
- PAINT DUCTWORK VISIBLE THROUGH DINING ROOM SUPPLY REGISTERS BLACK. TYPICAL.
- PENETRATIONS THROUGH SHEAR WALL SHALL BE LIMITED TO 10" DIAMETER (OR A GROUP OF PENETRATIONS ALL CONTAINED WITHIN 10" DIAMETER). IF LARGER PENETRATIONS OR GROUPS OF PENETRATIONS ARE REQUIRED COORDINATE WITH STRUCTURAL ENGINEER FOR APPROPRIATE BRACING. SEE STRUCTURAL DRAWINGS FOR SHEAR WALL LOCATION.
- 20/14 DUCT UP FOR TRANSITION TO RTU-1 RETURN CONNECTION IN ROOF CURB. RTU-1 SHALL HAVE AN INTEGRAL SMOKE DETECTOR MOUNTED IN THE RETURN AIR STREAM. INTERLOCK SMOKE DETECTOR TO RTU-1 OPERATION.
- 26/12 DUCT UP FOR TRANSITION TO RTU-2 RETURN CONNECTION IN ROOF CURB. RTU-2 SHALL HAVE AN INTEGRAL SMOKE DETECTOR MOUNTED IN THE RETURN AIR STREAM. INTERLOCK SMOKE DETECTOR TO RTU-2 OPERATION.
- 26/14 DUCT UP FROM BUILDING SUPPLY THROUGH ROOF. TRANSITION TO RTU-1 SUPPLY CONNECTION IN ROOF CURB.
- 28/14 DUCT UP FROM BUILDING SUPPLY TO RTU-2 SUPPLY CONNECTION. TRANSITION IN ROOF CURB.
- 16/16 DUCT UP THROUGH ROOF. TRANSITION TO MAU-1 SUPPLY CONNECTION IN ROOF CURB.
- 10/15 DUCTS UP FROM HOOD TO 20/15 DUCT THROUGH ROOF TO EF-1 COMPLIANT WITH NFPA 96. PROVIDE RADIUS ELBOWS WITH AN INSIDE RADIUS OF 0.5W AT ELBOWS IN GREASE DUCT.
- 8/6 DUCT UP THROUGH ROOF TO EF-2.
- 24/10 DUCT DOWN TO MAKEUP AIR PSP DUCT CONNECTION. TRANSITION TO SUPPLY PLENUM OPENING SIZE. TYPICAL FOR 4.
- 8" DIA. DUCT DOWN TO AC PSP DUCT CONNECTION. TRANSITION TO SUPPLY PLENUM OPENING SIZE. TYPICAL. CAP UNUSED DUCT CONNECTIONS.
- INSTALL GRIDPOINT THERMOSTATS FURNISHED BY TEMS FOR RTU-1 AND RTU-2 AT THIS LOCATION AT 48" AFF. COORDINATE WITH ELECTRICAL SWITCHING IN THIS AREA. PROVIDE WIRING AS SHOWN IN DETAIL 8/E710.
- INSTALL GRIDPOINT ZONE SENSOR MODULE FURNISHED BY TEMS FOR RTU-1 AT THIS LOCATION 60" AFF DIRECTLY TO WALL (NO JUNCTION BOX). COORDINATE LOCATION WITH EQUIPMENT. PROVIDE WIRING AS SHOWN IN DETAIL 8/E710.
- INSTALL GRIDPOINT ZONE SENSOR MODULE FURNISHED BY TEMS FOR RTU-2 AT THIS LOCATION 66" AFF DIRECTLY TO WALL (NO JUNCTION BOX). COORDINATE LOCATION WITH EQUIPMENT. PROVIDE WIRING AS SHOWN IN DETAIL 8/E710.
- INSTALL GRIDPOINT SUPPLY PROBE FURNISHED BY TEMS FOR RTU-1 IN THE SUPPLY DUCTWORK UPSTREAM FROM THE FIRST BRANCH CONNECTION. PROVIDE WIRING AS SHOWN IN DETAIL 8/E710.
- INSTALL GRIDPOINT SUPPLY PROBE FURNISHED BY TEMS FOR RTU-2 IN THE SUPPLY DUCTWORK UPSTREAM FROM THE FIRST BRANCH CONNECTION. PROVIDE WIRING AS SHOWN IN DETAIL 8/E710.
- INSTALL REMOTE TEMPERATURE SENSOR FOR HOOD HD-1 AT THIS LOCATION 66" AFF. COORDINATE LOCATION WITH EQUIPMENT. PROVIDE (2) #18 G. THERMISTOR CABLE FROM TEMPERATURE SENSOR TO HOOD CONTROL PANEL.
- INSTALL KITCHEN HOOD, HD-1. SUPPORT HOOD PER MANUFACTURER'S INSTALLATION INSTRUCTIONS AND AS DETAILED IN THE ARCHITECTURAL AND STRUCTURAL DRAWINGS. INSTALL HOOD ACCORDING TO THE REQUIREMENTS OF ITS LISTING, IN COMPLIANCE WITH NFPA 96, THE BUILDING CODE, AND AUTHORITIES HAVING JURISDICTION. HOOD SHALL HAVE AN INTEGRAL DUCT COLLAR TEMPERATURE SENSOR TO AUTOMATICALLY ENERGIZE THE EXHAUST AND MAKEUP AIR FANS IF COOKING TEMPERATURES ARE DETECTED. EXHAUST DUCT SYSTEM TO BE WELDED OR FACTORY-MANUFACTURED WATER AND AIR TIGHT. INSTALL CLEANOUTS PER CODE AND AS SHOWN. INSTALL HOOD PER DETAILS 2 AND 4/M700. CHIPOTLE WILL PROVIDE AN INDEPENDENT TESTING AGENCY FOR TESTING THE INTEGRITY OF THE GREASE DUCT SYSTEM.



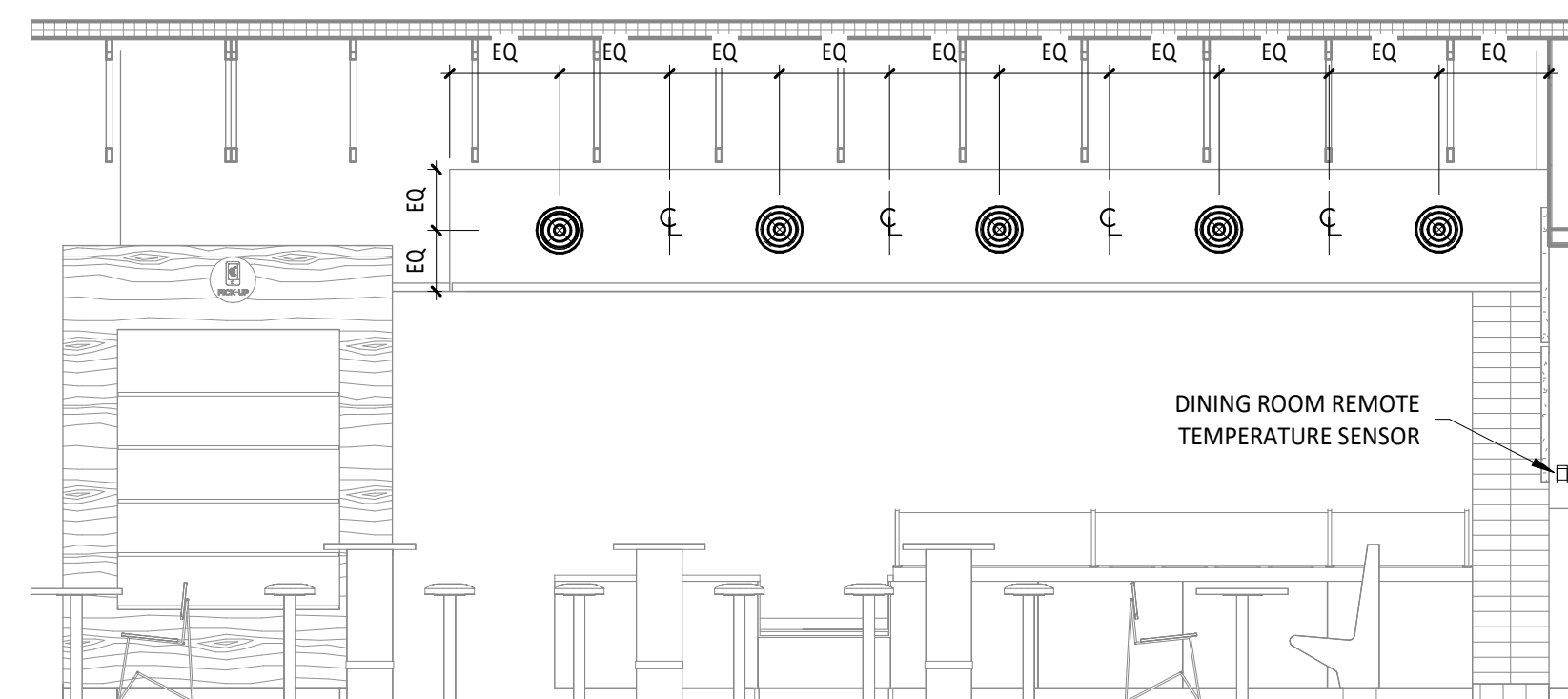
6 M100 HVAC DINING ROOM RETURN SECTION
1/4" = 1'-0"



5 M100 HVAC DINING ROOM SECTION
1/4" = 1'-0"



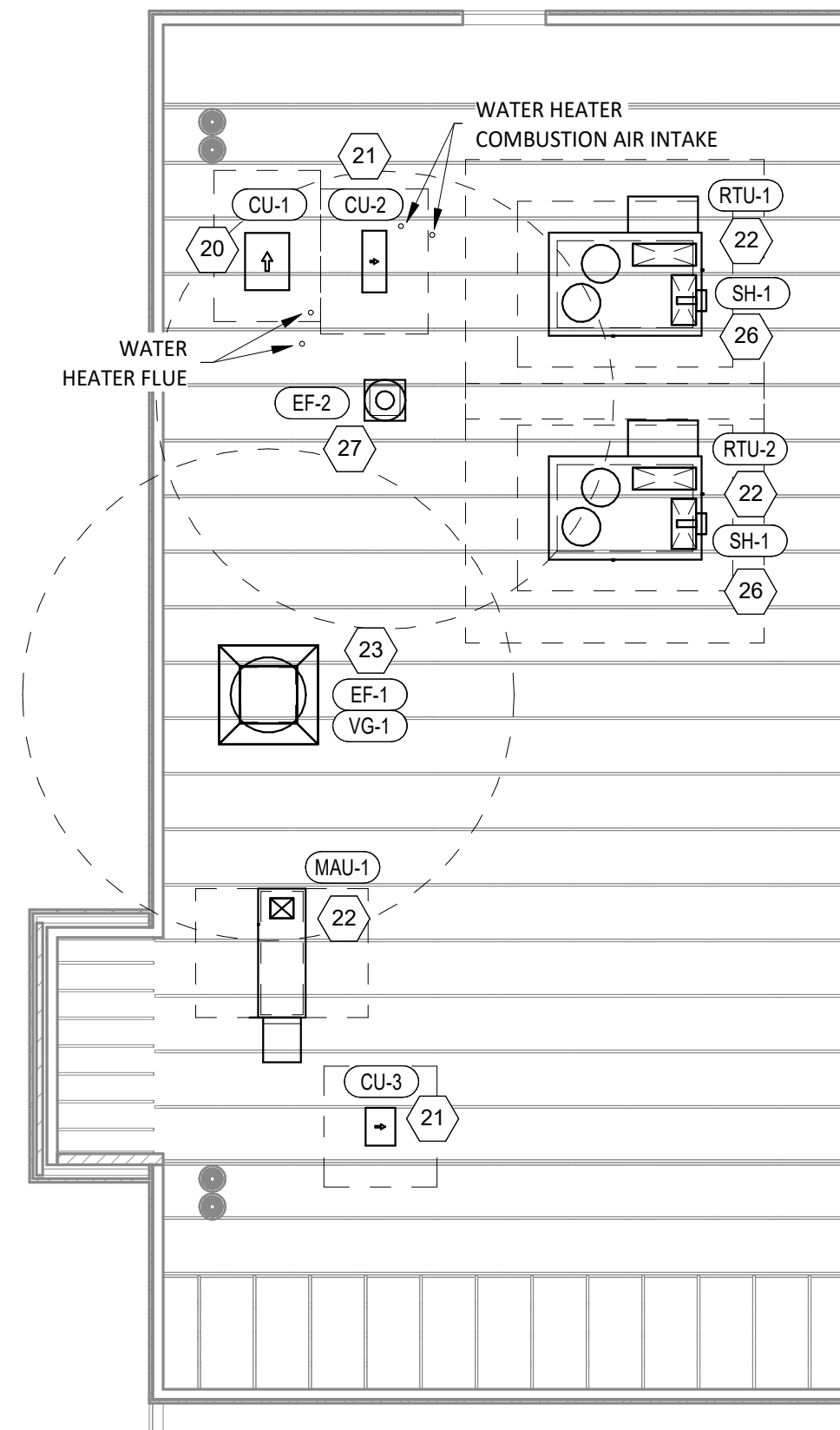
4 M100 HVAC DINING ROOM SECTION
1/4" = 1'-0"



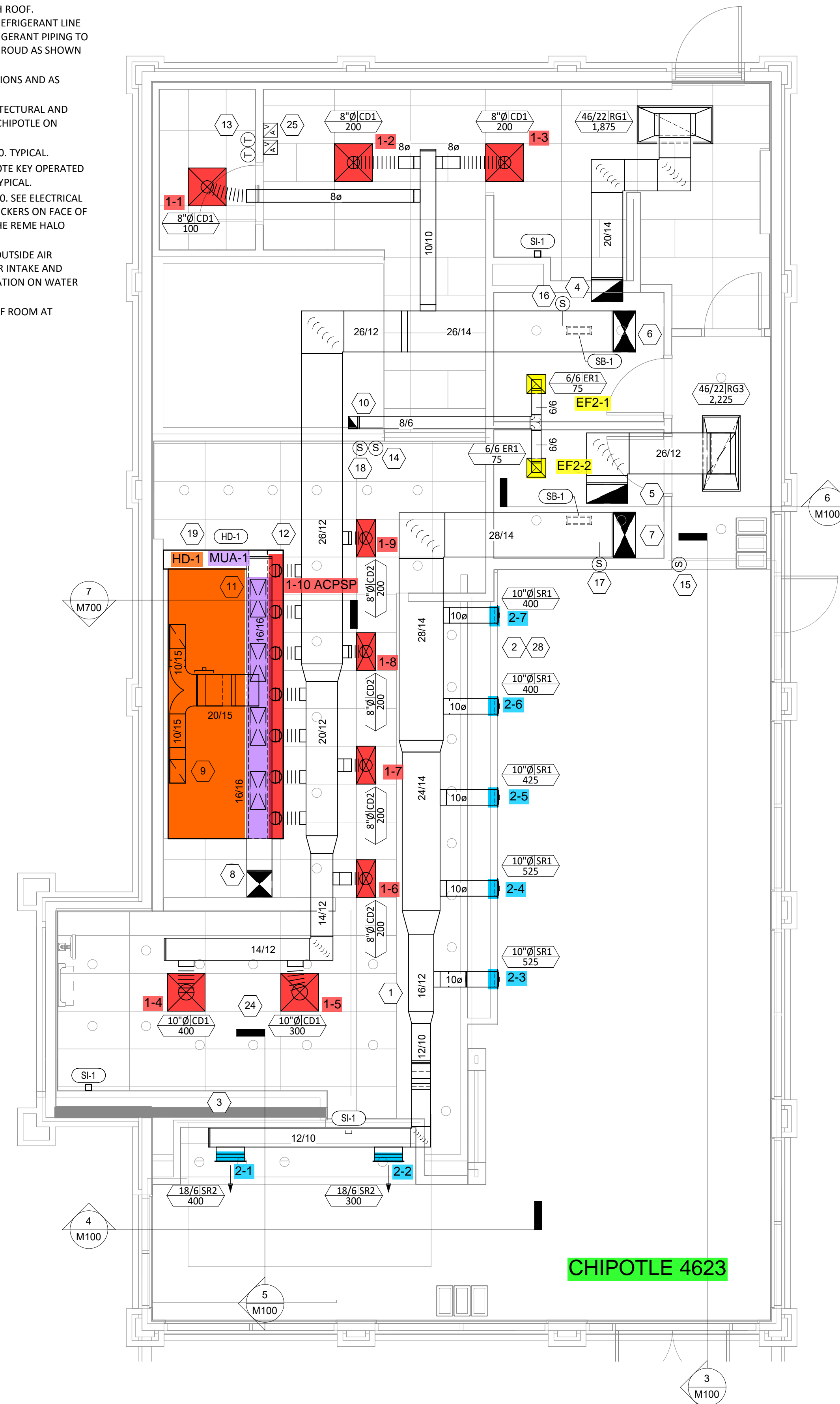
3 M100 HVAC DINING ROOM SECTION
1/4" = 1'-0"

HVAC PLAN NOTES

- INSTALL REMOTE CONDENSING UNIT FOR WALK-IN COOLER ON ROOF AS DETAILED IN THE ARCHITECTURAL AND STRUCTURAL DRAWINGS. INSTALL REFRIGERANT LINE SET, THERMOSTATIC EXPANSION VALVE, SOLENOID VALVE, TEMPERATURE CONTROL, SIGHT GLASS, FILTER DRIER, PRESSURE CONTROL, LOW AMBIENT CONTROLS, AND WEATHERPROOF HOUSING. TRAP AND SLOPE REFRIGERANT LINES PER MANUFACTURER'S RECOMMENDATIONS. INSTALLATION SHALL COMPLY WITH ASHRAE/ANSI STANDARD 15. INSTALL THE REFRIGERANT LINE SET UNDER THE ROOF DECK TO WITHIN 3' OF THE CONDENSING UNIT. CUT 2-1/2" HOLE IN WALK-IN COOLER ROOF FOR REFRIGERANT LINE SET AND SEAL PER THE COOLER MANUFACTURER'S INSTALLATION INSTRUCTIONS AFTER LINE SET IS INSTALLED.
- INSTALL REMOTE CONDENSER FOR ICE MACHINE ON ROOF AS DETAILED IN THE ARCHITECTURAL AND STRUCTURAL DRAWINGS. INSTALL REFRIGERANT LINE SET, THERMOSTATIC EXPANSION VALVE, SOLENOID VALVE, TEMPERATURE CONTROL, SIGHT GLASS, FILTER DRIER, PRESSURE CONTROL, LOW AMBIENT CONTROLS, AND WEATHERPROOF HOUSING. TRAP AND SLOPE REFRIGERANT LINES PER MANUFACTURER'S RECOMMENDATIONS. SEAL PIPING PENETRATIONS THROUGH ROOF. INSTALLATION SHALL COMPLY WITH ASHRAE/ANSI STANDARD 15. INSTALL THE REFRIGERANT LINE SET UNDER THE ROOF DECK TO WITHIN 3' OF THE REMOTE CONDENSER. IF REFRIGERANT PIPING TO ICE MAKER IS EXPOSED TO PUBLIC VIEW CONCEAL WITHIN A STAINLESS STEEL SHROUD AS SHOWN IN THE ARCHITECTURAL DRAWINGS.
- INSTALL ROOFTOP EQUIPMENT PER MANUFACTURER'S INSTALLATION INSTRUCTIONS AND AS DETAILED IN THE ARCHITECTURAL AND STRUCTURAL DRAWINGS.
- INSTALL EXHAUST FAN EF-1 PER DETAIL 5/M700 AND AS DETAILED IN THE ARCHITECTURAL AND STRUCTURAL DRAWINGS. INSTALL GREASE VIROGUARD SYSTEM FURNISHED BY CHIPOTLE ON EXHAUST FAN, EF-1.
- PROVIDE SUPPLY DIFFUSER CONNECTION TO SUPPLY SYSTEM PER DETAIL 1/M700. TYPICAL.
- PROVIDE AUDIO/VISUAL REMOTE SMOKE DETECTOR ANNUNCIATOR WITH REMOTE KEY OPERATED RESET. WIRE A UNIT BACK TO EACH SMOKE DETECTOR. MOUNT UNIT 60" AFF. TYPICAL.
- INSTALL REME HALO AIR PURIFIER FURNISHED BY TUV IN RTU PER DETAIL 6/M700. SEE ELECTRICAL DRAWINGS FOR POWER CONNECTION INFORMATION. INSTALL UV WARNING STICKERS ON FACE OF ENCLOSURE PER DETAIL AND ON ANY RTU ACCESS DOOR(S) THROUGH WHICH THE REME HALO WOULD BE VISIBLE IF OPENED.
- MAINTAIN 10' CLEARANCE BETWEEN WATER HEATER FLUE TERMINATION AND OUTSIDE AIR INTAKES. MAINTAIN 10' CLEARANCE BETWEEN WATER HEATER COMBUSTION AIR INTAKE AND EXHAUST FAN EF-1 DISCHARGE. SEE PLUMBING DRAWINGS FOR MORE INFORMATION ON WATER HEATER FLUE AND COMBUSTION AIR TERMINATIONS.
- ADJUST SUPPLY REGISTERS SO THAT SUPPLY AIR HITS WALL ON OPPOSITE SIDE OF ROOM AT APPROXIMATELY 7' AFF WITH NO DRAFTS FELT IN THE DINING ROOM.



2 M100 HVAC ROOF PLAN
1/8" = 1'-0"



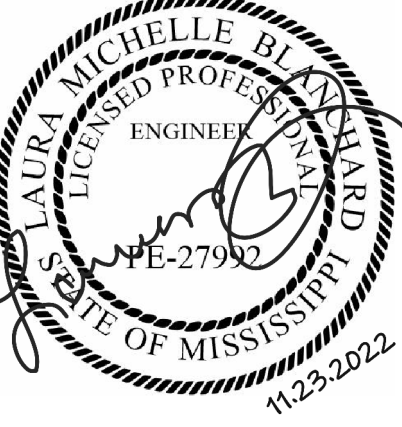
1 M100 HVAC FLOOR PLAN
1/4" = 1'-0"

Consultant:



Blanchard AE Group

1425 WAKARUSA DR. STE B
LAWRENCE, KS 66049
PH: 785.993.0300
AEGROUP@BAE.GROUP



COPYRIGHT 2022
THIS DRAWING IS AN INSTRUMENT OF SERVICE AND AS SUCH REMAINS THE PROPERTY OF CHIPOTLE MEXICAN GRILL, INC. PERMISSION FOR USE OF THIS DOCUMENT IS LIMITED AND CAN BE EXTENDED ONLY BY WRITTEN AGREEMENT WITH CHIPOTLE MEXICAN GRILL, INC.



CHIPOTLE MEXICAN GRILL, INC.
PO BOX 182566
COLUMBUS, OH 43218-2566
TELEPHONE: (614) 318-2400
INTERNET: WWW.CHIPOTLE.COM

STORE NO.: 4623

MADISON MS
TBD
Madison, MS

Issue Record:
11/23/2022 PERMIT ISSUE

Revisions:

Drawn: JUD
Checked: AJD

Project No:
221118

Contents:

HVAC PLAN

M100



Blanchard AE Group

1425 WAKARUSA DR. STE B
LAWRENCE, KS 66049
PH: 785.993.0300
AEGROUP@BAE.GROUP



COPYRIGHT 2022
THIS DRAWING IS AN INSTRUMENT OF SERVICE AND AS SUCH REMAINS THE PROPERTY OF CHIPOTLE MEXICAN GRILL, INC. PERMISSION FOR USE OF THIS DOCUMENT IS LIMITED AND CAN BE EXTENDED ONLY BY WRITTEN AGREEMENT WITH CHIPOTLE MEXICAN GRILL, INC.



CHIPOTLE MEXICAN GRILL, INC.
PO BOX 182566
COLUMBUS, OH 43218-2566
TELEPHONE: (614) 318-2400
INTERNET: WWW.CHIPOTLE.COM

STORE NO.: 4623
MADISON MS
TBD
Madison, MS

Issue Record:
11/23/2022 PERMIT ISSUE

Revisions:

Drawn: JJD
Checked: AJD

Project No:
221118

Contents:
HVAC SCHEDULES

M600

CONTROL FUNCTIONS

- A. THE MAIN COOKING EXHAUST FAN AND MAKE-UP AIR UNIT SHALL BE INTERLOCKED TO OPERATE TOGETHER. THIS CONTROL CIRCUIT IS ACTIVATED BY A SWITCH AND INCLUDES A FIRE PROTECTION OVERRIDE.
- B. THE TEMPERATURE IN EACH ZONE IS CONTROLLED BY SPACE TEMPERATURE SENSORS CONNECTED TO THE THERMOSTATS LOCATED IN THE OFFICE. ALL ZONES SHALL OPERATE WITH CONTINUOUS FAN OPERATION DURING OCCUPIED TIMES AND INTERMITTENTLY AS NEEDED TO MAINTAIN SET POINTS DURING UNOCCUPIED TIMES. OUTSIDE AIR DAMPERS SHALL BE OPEN CONTINUOUSLY WHEN EITHER IN OCCUPIED MODE OR WHEN THE HOOD SYSTEM IS ON AND SHALL BE CLOSED DURING UNOCCUPIED PERIODS.
- C. THE THERMOSTATS SHALL DETERMINE OCCUPIED/UNOCCUPIED STATUS BASED ON THE SCHEDULE IN THE ENERGY MANAGEMENT SYSTEM.

SANITIZING EQUIPMENT SCHEDULE

TAG	COUNT	DESCRIPTION	FURNISHED BY	INSTALLED BY	MANUFACTURER	MODEL	REMARKS
SB-1	2	BATHROOM AIR PURIFICATION UNIT	TUV	GC	RGF ENVIRONMENTAL GROUP	BRU ASSEMBLY	SEE ELECTRICAL SHEETS FOR CONNECTION INFORMATION
SH-1	2	HVAC AIR PURIFICATION UNIT	TUV	GC	RGF ENVIRONMENTAL GROUP	REME-HALO	SEE DETAIL 6/M700 FOR INSTALLATION INFORMATION.
SI-1	3	ICE MACHINE TREATMENT SYSTEM	TUV	GC	RGF ENVIRONMENTAL GROUP	IMS-B-GA	SEE PLUMBING DRAWINGS FOR INSTALLATION INFORMATION.

AIR BALANCE SCHEDULE

TAG	SUPPLY FLOW	RETURN FLOW	EXHAUST FLOW	SUBTOTAL
EF-1	0 CFM	0 CFM	3,200 CFM	-3,200 CFM
EF-2	0 CFM	0 CFM	150 CFM	-150 CFM
MAU-1	1,950 CFM	0 CFM	0 CFM	1,950 CFM
RTU-1	2,625 CFM	1,875 CFM	0 CFM	750 CFM
RTU-2	2,975 CFM	2,225 CFM	0 CFM	750 CFM
NET PRESSURIZATION				100 CFM

FAN SCHEDULE

TAG	DESCRIPTION	AIRFLOW	E.S.P.	WEIGHT	ELECTRICAL		FURNISHED BY	INSTALLED BY	BASIS FOR DESIGN		REMARKS
					MOTOR POWER	V/P/H			MANUFACTURER	MODEL	
EF-1	UPBLAST UL76Z EXHAUST FAN	3,200 CFM	1.20 in-wg	400 lb	3 hp	208/3/60	HS	GC	CAPTIVE-AIRE	DU240HFA	DIRECT DRIVE UL76Z UPBLAST EXHAUST FAN FURNISHED WITH WEATHERPROOF DISCONNECT AND VENTED ROOF CURB
EF-2	DOWNBLAST RESTROOM EXHAUST FAN	150 CFM	0.60 in-wg	100 lb	0.18 hp	120/1/60	HS	GC	CAPTIVE-AIRE	DR12HFA	DIRECT DRIVE DOWNBLAST RESTROOM EXHAUST FAN FURNISHED WITH INTEGRAL DISCONNECT, SPEED CONTROL, BACKDRAFT DAMPER, AND CURB

VIROGUARD SCHEDULE

TAG	COUNT	DESCRIPTION	DUCT CONNECTION SIZE	FAN	FURNISHED BY	INSTALLED BY	BASIS FOR DESIGN
VG-1	1	VIROGUARD HOOD EXHAUST FAN ROOFTOP CONTAINMENT SYSTEM	18" X 18"	CAPTIVE-AIRE DU240HFA	TDC	GC	ENVIROMATIC

CONDENSING UNIT SCHEDULE

TAG	DESCRIPTION	NOMINAL CAPACITY	NUMBER OF		REFRIGERANT		WEIGHT	ELECTRICAL			FURNISHED BY	INSTALLED BY	BASIS FOR DESIGN		REMARKS
			COMPRESSORS	CIRCUITS	TYPE	CHARGE		MOC	FLA	V/P/H			MANUFACTURER	MODEL	
CU-1	CONDENSING UNIT - WALK-IN COOLER		1	1	R-404A	10.4 lb	250 lb	15 A	9 A	208/3/60	WCS	GC	HARFORD	KPCL99MZOP-3E	FURNISHED WITH WALK-IN COOLER
CU-2	REMOTE CONDENSER - LOW CAPACITY ICE MAKER		0	1	R-404A	11.46 lb	100 lb			120/1/60	KES	GC	HOSHIZAKI	URC-9F	FURNISHED WITH ICE MAKER
CU-3	REMOTE CONDENSER - SODA MACHINE ICE MAKER		0	1	R-404A	3.86 lb	100 lb			120/1/60	KES	GC	HOSHIZAKI	URC-5F	FURNISHED WITH ICE MAKER

MAKEUP AIR UNIT SCHEDULE

TAG	DESCRIPTION	AIRFLOW	E.S.P.	HEATING			WEIGHT	ELECTRICAL		FURNISHED BY	INSTALLED BY	BASIS FOR DESIGN		REMARKS
				INPUT	OUTPUT	EAT		MOTOR POWER	V/P/H			MANUFACTURER	MODEL	
MAU-1	DIRECT-FIRED MAKEUP AIR UNIT	1,950 CFM	0.80 in-wg	225,000 Btu/h	220,000 Btu/h	21 °F	650 lb	2 hp	208/3/60	HS	GC	CAPTIVE-AIRE	A1-D.250-G10	12.5:1 MAX TURNDOWN. FURNISHED WITH DISCONNECT, ROOF CURB, SCREEN INTAKE, AND WASHABLE ALUMINUM FILTERS

KITCHEN HOOD SCHEDULE

TAG	DESCRIPTION	MAX COOKING TEMP.	AIRFLOW	E.S.P.	EXHAUST PLENUM						PERFORATED SUPPLY PLENUMS						NO. OF LIGHT FIXTURES	WEIGHT	FURNISHED BY	INSTALLED BY	BASIS FOR DESIGN		REMARKS		
					DUCT COLLARS						MAU PLENUM			AC PLENUM							MANUFACTURER	MODEL			
					NO.	WIDTH	LENGTH	LENGTH	WIDTH	LENGTH	WIDTH	LENGTH	WIDTH	LENGTH	AIRFLOW	NO.								WIDTH	LENGTH
HD-1	TYPE I CANOPY HOOD WITH PERFORATED MAU AND AC SUPPLY PLENUMS	600 °F	3,200 CFM	0.86 in-wg	2	10"	1' - 3"	14' - 3"	4' - 3"	15' - 3"	1' - 10"	1,950 CFM	4	10"	2' - 0"	625 CFM	7	8"	10	1,200 lb	HS	GC	CAPTIVE-AIRE	5424 ND-2-ACPSP-F	MAT'L: 18 GA. TYPE 430 SS. FURNISHED WITH VAPORPROOF INCANDESCENT LIGHT FIXTURES, 16" TALL HE SS FILTERS, INTEGRAL UTILITY CABINET, ANSUL SYSTEM, DUCT COLLAR TEMPERATURE SENSOR, PREWIRE PACKAGE, SPARE FIRE SYSTEM DRY CONTACT, AND 4-POLE 20A CONTACTOR

ROOFTOP UNIT SCHEDULE

TAG	DESCRIPTION	NOMINAL CAPACITY	AIRFLOW		NET COOLING CAPACITY					HEATING CAPACITY			ELECTRICAL			BASIS FOR DESIGN		REMARKS		
			TOTAL	OA	E.S.P. (IN. W.C.)	TOTAL (MBH)	SENSIBLE (MBH)	EAT DB	WB	COND. EAT	INPUT (Btu/h)	OUTPUT (Btu/h)	EAT	WEIGHT	MOC	MCA	V/P/H		MANUFACTURER	MODEL
RTU-1	KITCHEN ROOFTOP UNIT	7.5 ton	2,625 CFM	750 CFM	0.8	82.6	58.4	80 °F	67 °F	105 °F	125,000	103,000	60 °F	1,100 lb	50 A	40 A	208/3/60	CARRIER	48FC_M08	FURNISHED WITH HINGED ACCESS PANELS, STANDARD ECONOMIZER W/ DUAL ENTHALPY CONTROLS, BAROMETRIC RELIEF, RET. SMOKE DETECTOR W/ REMOTE KEYED ANNUNCIATOR/RESET, MERV-8 FILTERS, CURB, HAIL GUARD, DISCONNECT, & UNIT-MOUNTED NON-POWERED CONVENIENCE RECEPTACLE
RTU-2	DINING ROOM ROOFTOP UNIT	8.5 ton	2,975 CFM	750 CFM	0.8	93.7	71.0	80 °F	67 °F	105 °F	125,000	103,000	58 °F	1,200 lb	50 A	42 A	208/3/60	CARRIER	48FC_M09	FURNISHED WITH HINGED ACCESS PANELS, STANDARD ECONOMIZER W/ DUAL ENTHALPY CONTROLS, BAROMETRIC RELIEF, RET. SMOKE DETECTOR W/ REMOTE KEYED ANNUNCIATOR/RESET, MERV-8 FILTERS, CURB, HAIL GUARD, DISCONNECT, & UNIT-MOUNTED NON-POWERED CONVENIENCE RECEPTACLE



Blanchard AE Group

1425 WAKARUSA DR. STE B
LAWRENCE, KS 66049
PH: 785.993.0300
AEGROUP@BAE.GROUP



COPYRIGHT 2022
THIS DRAWING IS AN INSTRUMENT OF SERVICE
AND AS SUCH REMAINS THE PROPERTY OF
CHIPOTLE MEXICAN GRILL, INC. PERMISSION FOR
USE OF THIS DOCUMENT IS LIMITED AND CAN BE
EXTENDED ONLY BY WRITTEN AGREEMENT WITH
CHIPOTLE MEXICAN GRILL, INC.



CHIPOTLE MEXICAN GRILL, INC.
PO BOX 182566
COLUMBUS, OH 43218-2566
TELEPHONE: (614) 318-2400
INTERNET: WWW.CHIPOTLE.COM

STORE NO.: 4623
MADISON MS
TBD
Madison, MS

Issue Record:
11/23/2022 PERMIT ISSUE

Revisions:

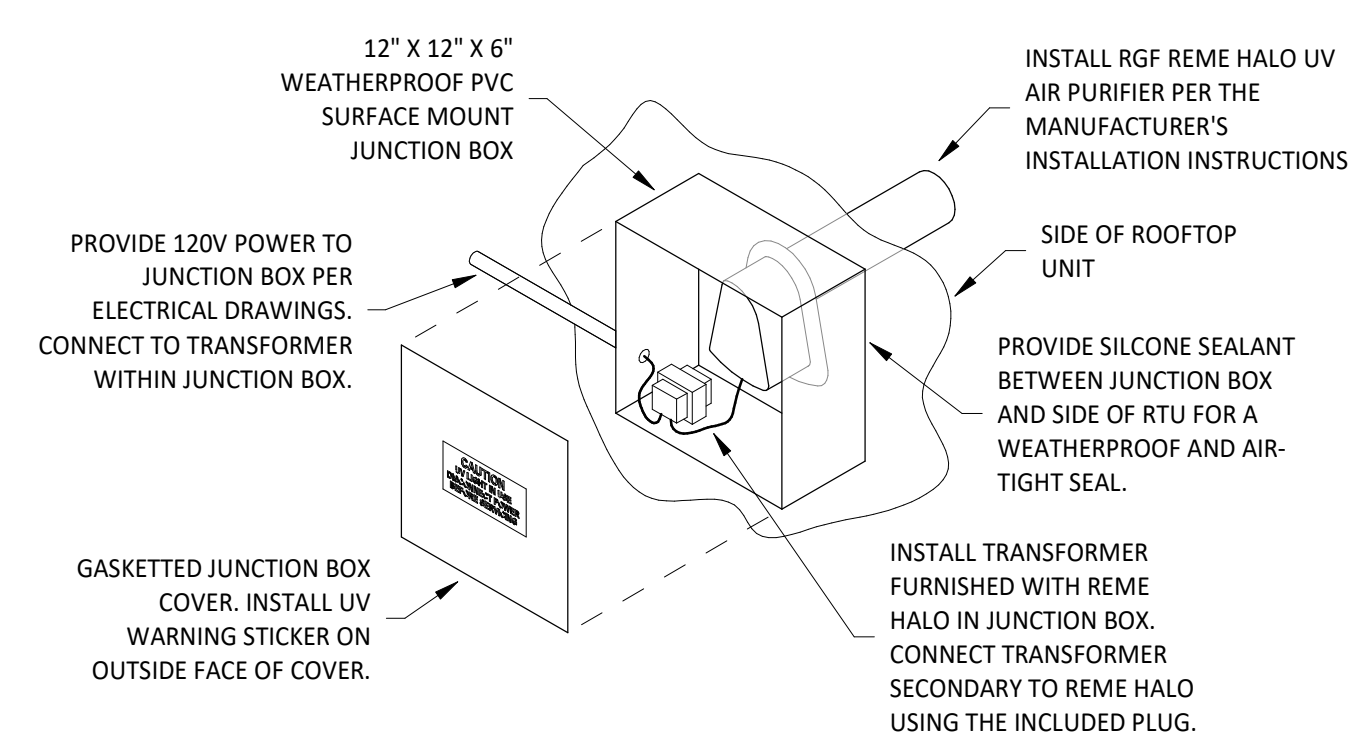
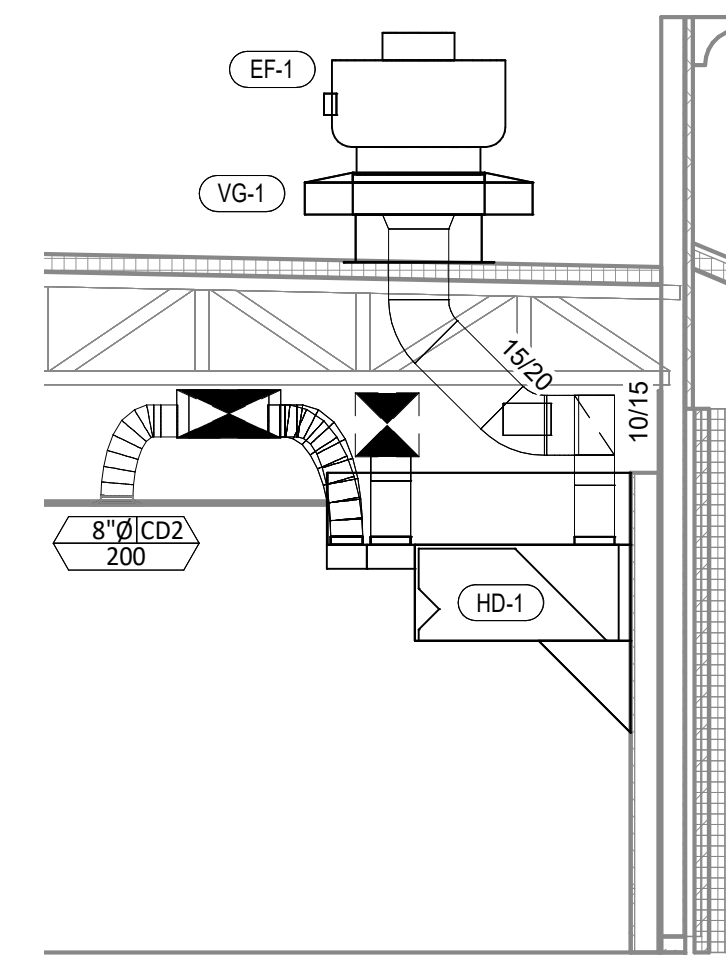
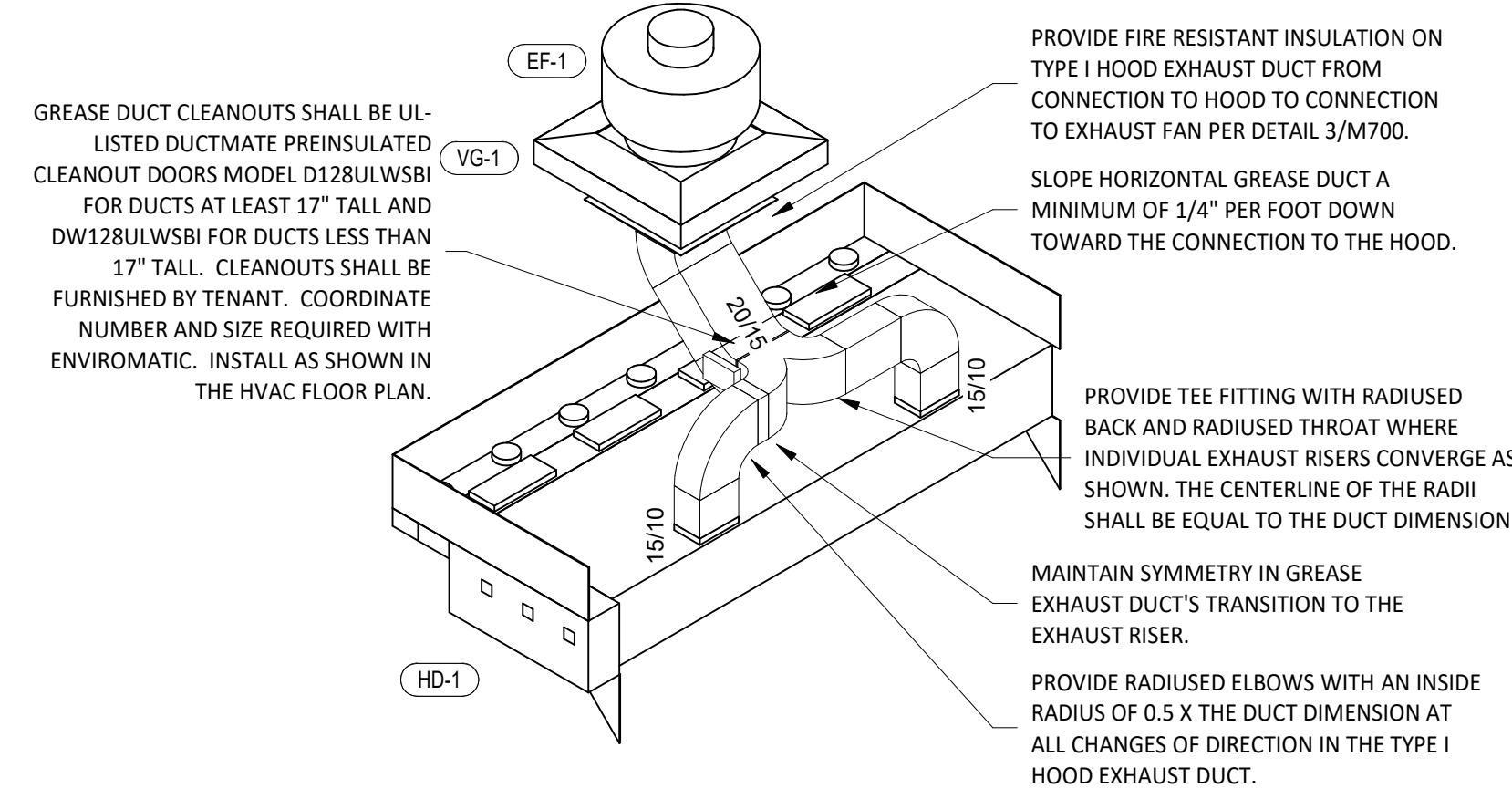
Drawn: JJD
Checked: AJD

Project No:
221118

Contents:

HVAC DETAILS

M700



INSTALLATION LOCATION
INSTALL AIR PURIFIER WITH JUNCTION BOX ON OUTSIDE FACE OF ROOFTOP UNIT AND WITH UV LAMP TUBE EXTENDING INTO THE INTERIOR OF THE ROOFTOP UNIT. FIELD VERIFY EXACT LOCATION TO AVOID DAMAGING, TOUCHING, OR INTERFERING WITH ANY RTU INTERIOR COMPONENTS. INSTALLATION LOCATION SHALL BE AS FOLLOWS:
TRANS: INSTALL INTO THE SUPPLY AIR STREAM THROUGH THE REMOVABLE PANEL COVERING THE HORIZONTAL DISCHARGE SUPPLY AIR OPENING.
YORK: INSTALL INTO THE SUPPLY AIR PLENUM FROM THE BACK SIDE OF THE UNIT JUST ABOVE THE HEAT EXCHANGER.

