

KEY NOTES

- 1 REMOTE TEST STATION FOR SMOKE DETECTORS FOR RTU-1, 2 & 3. TEST STATION TO BE MOUNTED ON THE ASSOCIATE'S WALL. SECURITY CONTRACTOR SHALL WIRE RTU FACTORY MOUNTED SMOKE DETECTORS TO SECURITY/FIRE ALARM PANEL. MECHANICAL CONTRACTOR SHALL PROVIDE TEST STATION AND WIRING BETWEEN COMPONENTS AS WELL AS WIRING TO SHUT DOWN THE A/C FAN UPON ACTIVATION OF THE SMOKE DETECTOR. G.C. TO TEST THE SMOKE DETECTOR FUNCTIONS WITH THE WAWA PROJECT MANAGER.
- 2 TRANSFER AIR DUCT ASSEMBLY.
- 3 PROVIDE SEALED 20" X 20" PLENUM BOX ASSEMBLY ABOVE TRANSFER GRILLE TO ALLOW FLEX TRANSFER DUCT CONNECTIONS.
- 4 WALL MOUNTED SENSOR(S) FOR EACH MECHANICAL UNIT PER ROOFTOP UNIT SCHEDULE ON SHEET M3.0. G.C. SHALL INSTALL AND WIRE TO UNIT. BAS CONTRACTOR SHALL CONNECT TO MECHANICAL UNIT ONLY.
- 5 WALL MOUNTED CO2 SENSOR TO RTU-1. SENSOR TO MONITOR CO2 LEVELS THROUGH REMOTE BAS INTERFACE.
- 6 ROUTE DUCT THROUGH ANGLED WEB MEMBER AND SUPPORT AT PANEL POINT.
- 7 DUCTWORK TO RUN WITHIN JOIST SPACING. MECHANICAL CONTRACTOR TO COORDINATE MECHANICAL WORK WITH ALL TRADES PRIOR TO INSTALLATION.
- 8 NOT USED.
- 9 CONNECT TO BOTTOM OF MAIN DUCT.
- 10 ROUTE SUPPLY DUCT DOWN THROUGH GYPSUM BOARD CEILING AND INTO CAVITY ABOVE FREEZER WITHIN 12" OF BACK WALL. SEAL AROUND DUCT AT PENETRATION AIR TIGHT AND TERMINATE DUCT WITH OPEN END.
- 11 HEATER SHALL BE A MINIMUM OF 12" AWAY FROM ANY WALL.
- 12 MOUNT CENTER OF EXHAUST GRILLE AT 12" ABOVE FINISHED FLOOR. ROUTE DUCT SIZED AS SHOWN FROM GRILLE. UP IN WALL CAVITY TO ABOVE CEILING, THEN TO EXHAUST FAN AND OUT TO EXTERIOR WALL LOUVER. COORDINATE DUCT ROUTING WITH ALL OTHER TRADES.
- 13 12"X8" EXTERIOR WALL, WIND DRIVEN RAIN LOUVER MODEL EHH-601 AS MANUFACTURED BY GREENHECK. INSTALL PER MANUFACTURER'S RECOMMENDED INSTALLATION INSTRUCTIONS. PROVIDE WITH BIRD SCREEN, 1-1/2" FLANGE, AND ALUMINUM MILL FINISH.
- 14 EMERGENCY SHUTOFF SWITCH AND WALL PLACARD INDICATING VENTILATION SYSTEM EMERGENCY SHUTOFF PROVIDED BY OTHERS. REFERENCE ELECTRICAL AND ARCHITECTURAL DRAWINGS.
- 15 INSTALL EXHAUST FAN PER DETAIL SHEET M3.0. FAN SHALL BE WIRED TO EMERGENCY SHUTOFF SWITCH PROVIDED BY OTHERS. REFERENCE ARCHITECTURAL AND ELECTRICAL DRAWINGS.
- 16 EXHAUST DUCT UP TO EXHAUST FAN. SEE ROOF PLAN FOR CONTINUATION.
- 17 RETURN DUCT UP TO RTU.
- 18 SUPPLY DUCT DOWN FROM RTU.
- 19 COORDINATE INSTALLATION OF MECHANICAL SENSORS IN URESTONE WALL WITH DETAIL ON ARCHITECTURAL PLANS.
- 20 DUCT PASSING BELOW STRUCTURAL JOIST.

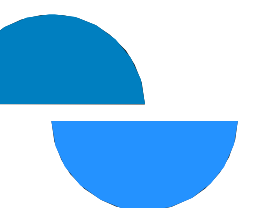
PERMITTING NOTE:

ALL REFRIGERATION EQUIPMENT INCLUDING WALK-IN COOLERS AND REFRIGERATORS WILL BE SUBMITTED UNDER A SEPARATE PERMIT.

SHEET GENERAL NOTE:

1. MECHANICAL CONTRACTOR SHALL ADJUST ALL LINEAR SLOT DIFFUSERS TO A GENERALLY VERTICAL FLOW. ADJUSTMENT SHALL BE MADE SO AS TO AVOID AIRFLOWS ON SENSORS, REFRIGERATION CASES, OR OPEN FOOD REFRIGERATION EQUIPMENT.

1 HVAC FLOOR PLAN
M1.0
1/4" = 1'-0"



COPYRIGHT © - All reports, plans, specifications, computer files, field data, notes and other documents are instruments of service prepared by CuHaci & Peterson, P.C. & P. as instruments of service remain the property of C & P. C & P shall retain all common law, statutory and other reserved rights, including the copyright therein. Any use or reproduction of this document without written permission from C & P is a violation of Federal copyright laws.

CLIENT NAME
WAWA

260 W. BALTIMORE PIKE
WAWA, PA 19063

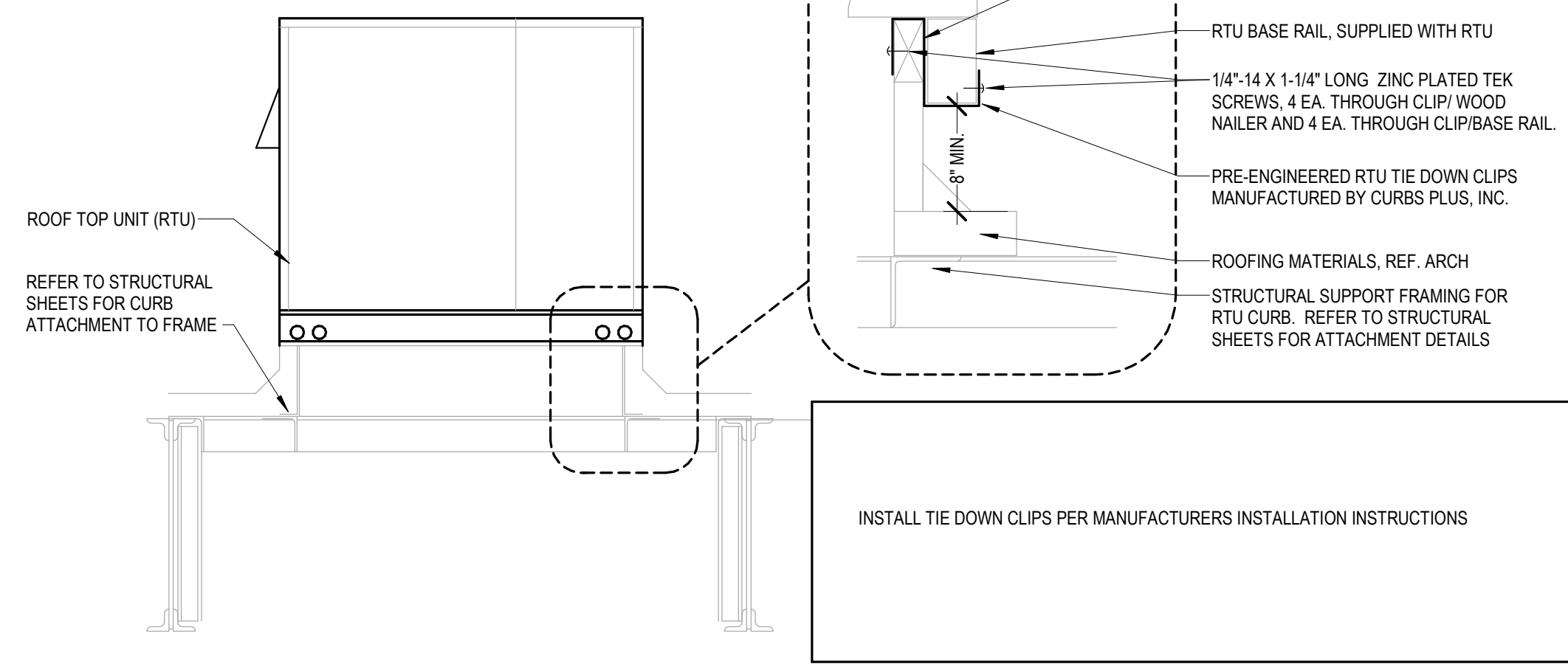
PROJECT NAME
W50FB V2022.1
STORE #8489
RT-1 & PRINCE ST.,
EDISON, NJ

SHEET TITLE
HVAC FLOOR PLAN

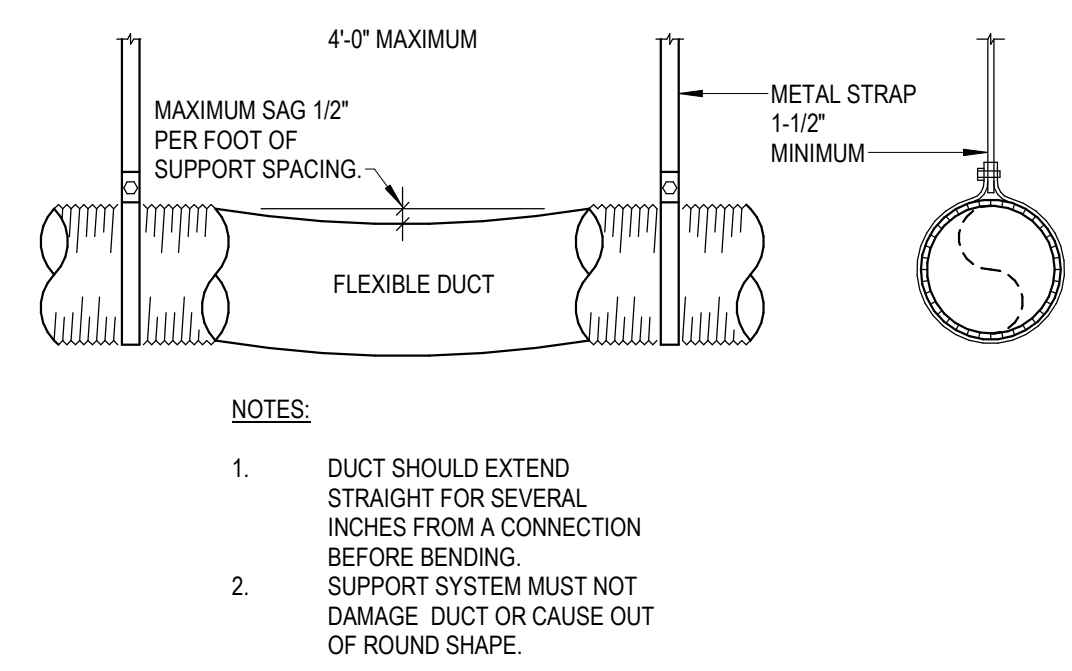
Revision Schedule	
No.	Description
1	PERMIT SET
2	PRE-BID SET
3	BID SET
4	MECH & PLUMB
5	CONSTRUCTION SET
	DATE
	03/01/2023
	03/01/2023
	03/23/2023
	06/30/2023
	06/30/2023

PROJECT NO. 220073	DATE 03-01-2023	DRAWN JOF	CHECKED ESD
-----------------------	--------------------	--------------	----------------

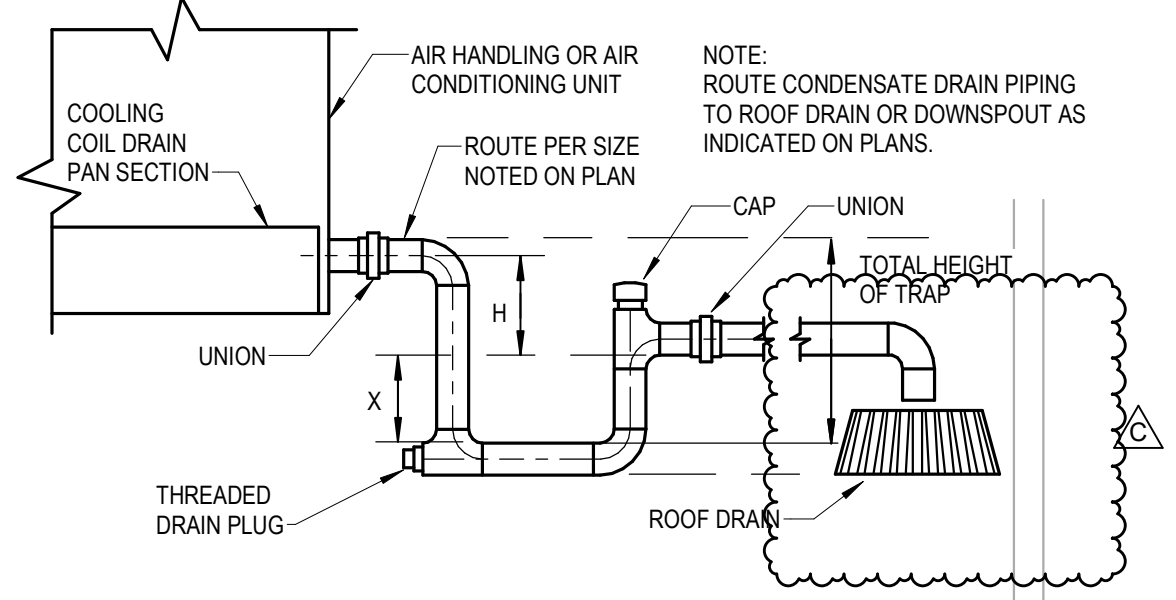
BUILDING LOCATION	WIND SPEED ZONE
XXXXXXXX, XX	(IBC FIGURE 1609A)
	115 MPH



12 HVAC RTU TIE-DOWN DETAIL
M2.0 NOT TO SCALE



8 HVAC FLEX DUCT SUPPORT DETAIL
M2.0 NOT TO SCALE

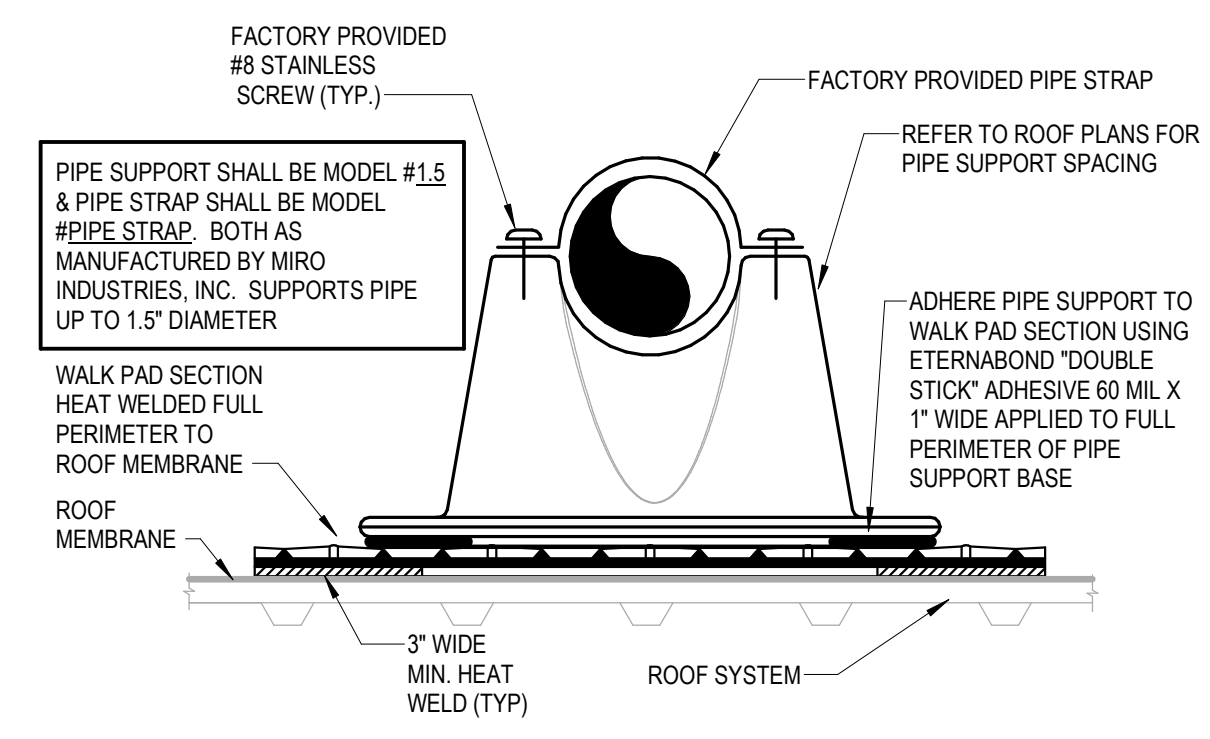


DRAIN TRAPPING HEIGHT		
FAN ARRANGEMENT	H	X
BLOW-THRU (POSITIVE STATIC PRESSURE)	A	B
DRAW-THRU (NEGATIVE STATIC PRESSURE)	D	C

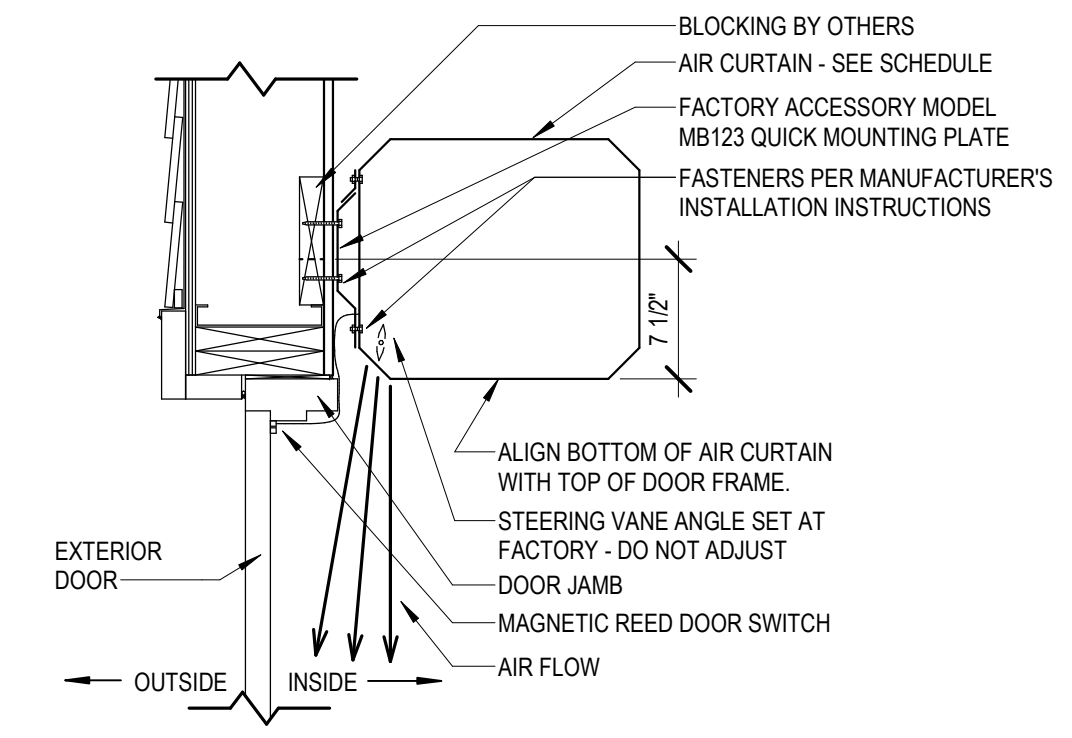
A = MINIMUM 1"
B = AT LEAST 1" PLUS CASING STATIC PRESSURE
C = 1/2" D"
D = AT LEAST 1" PLUS CASING STATIC PRESSURE

TOTAL HEIGHT OF TRAP = X + H + (1.5 x PIPE DIAMETER) (WITHOUT INSULATION)

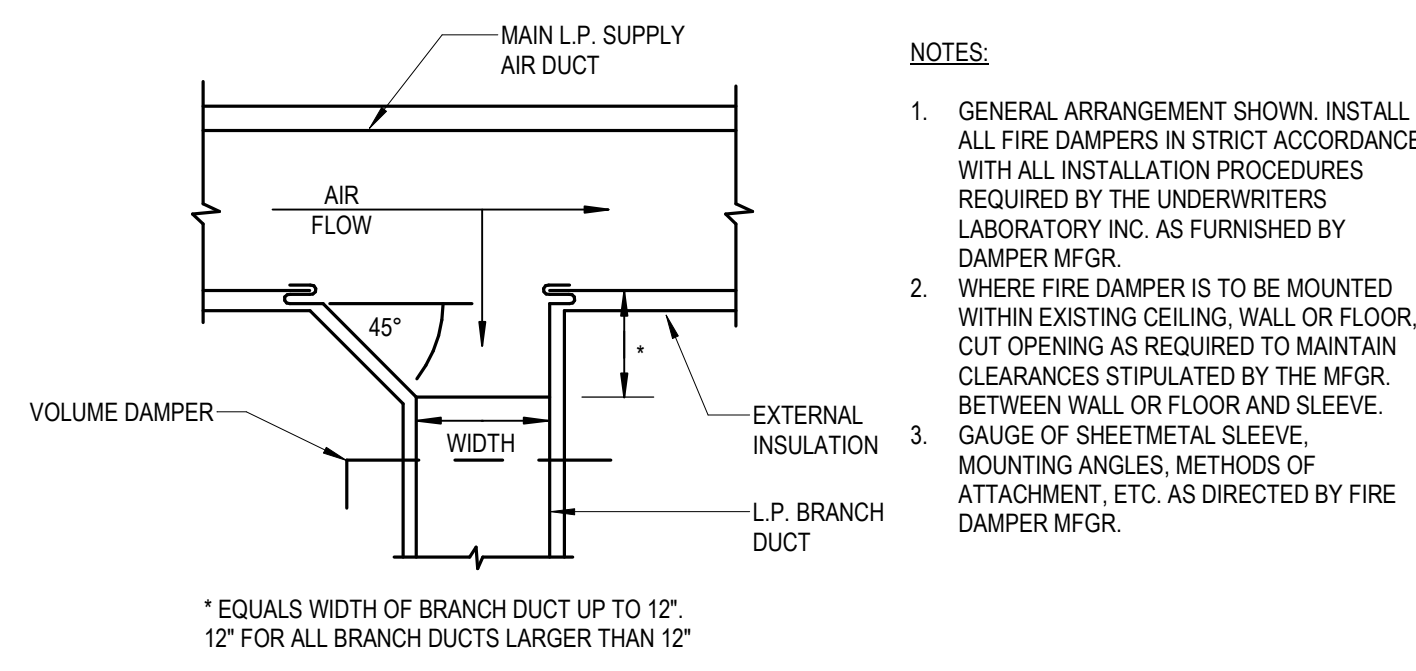
4 HVAC CONDENSATE DRAIN DETAIL
M2.0 NOT TO SCALE



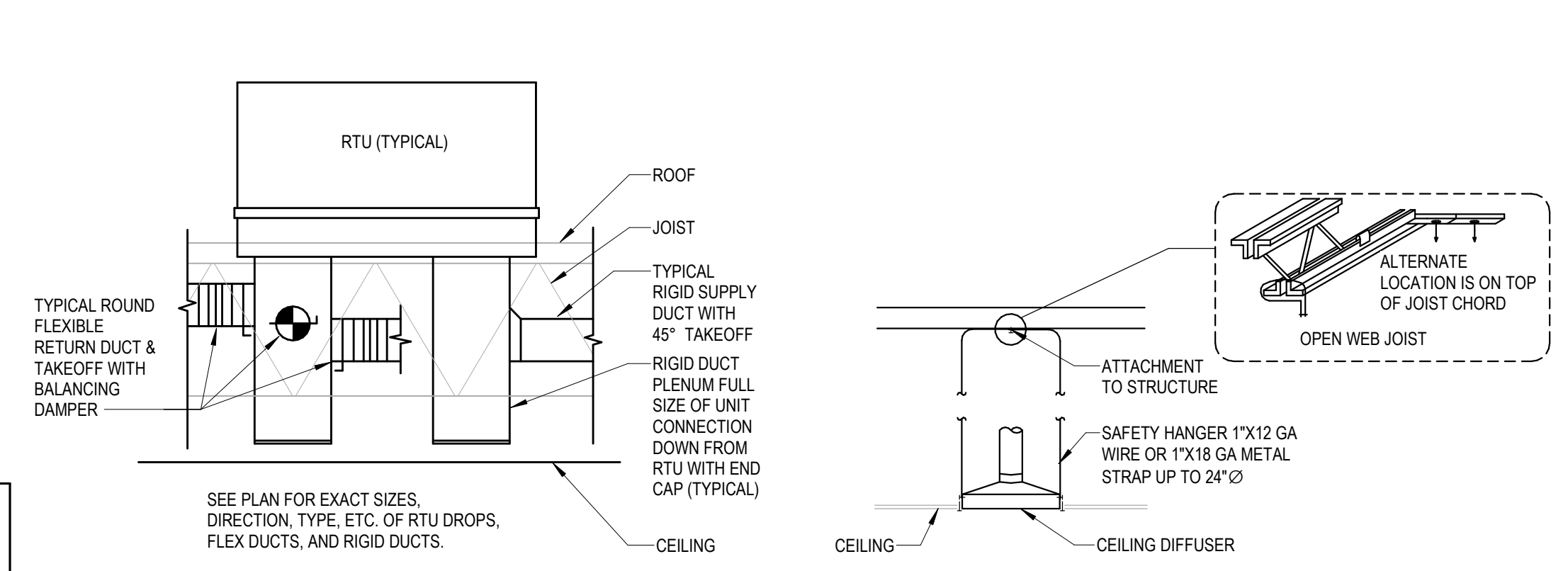
2 PIPE ROOF SUPPORT DETAIL
M2.0 NOT TO SCALE



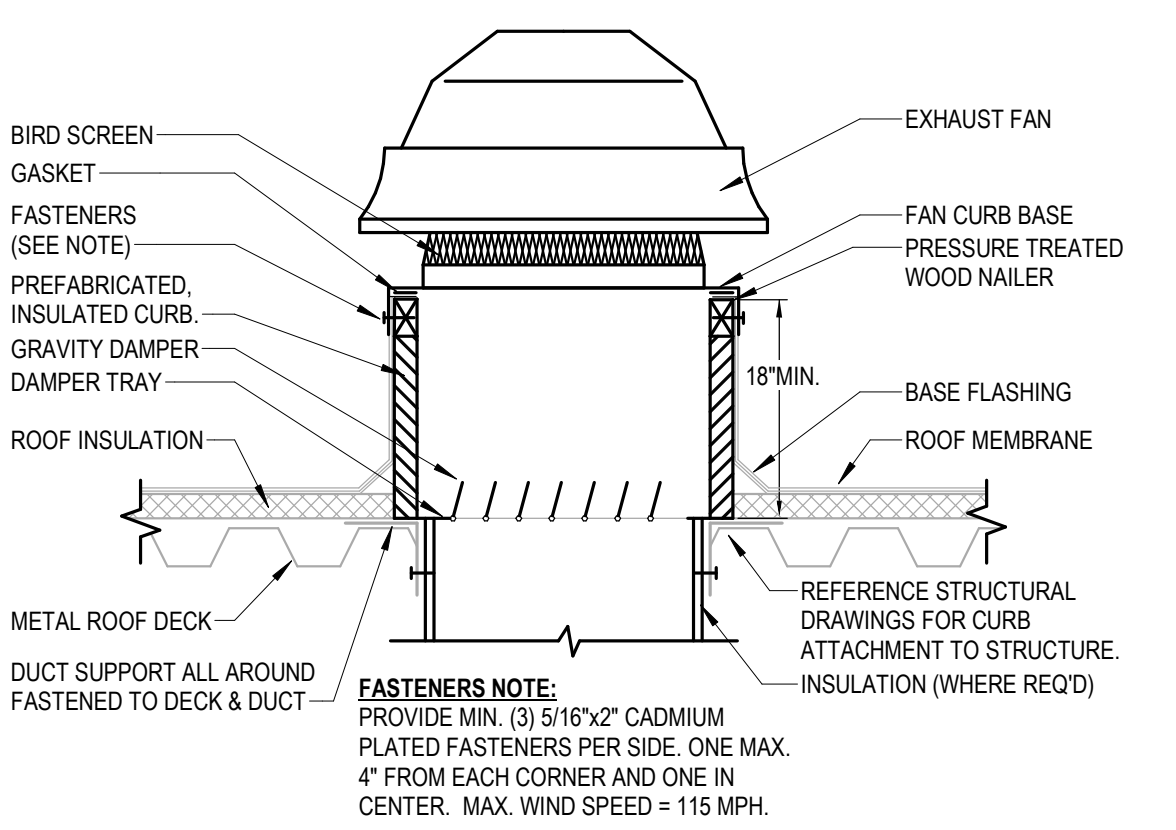
7 AIR CURTAIN INSTALLATION DETAIL
M2.0 NOT TO SCALE



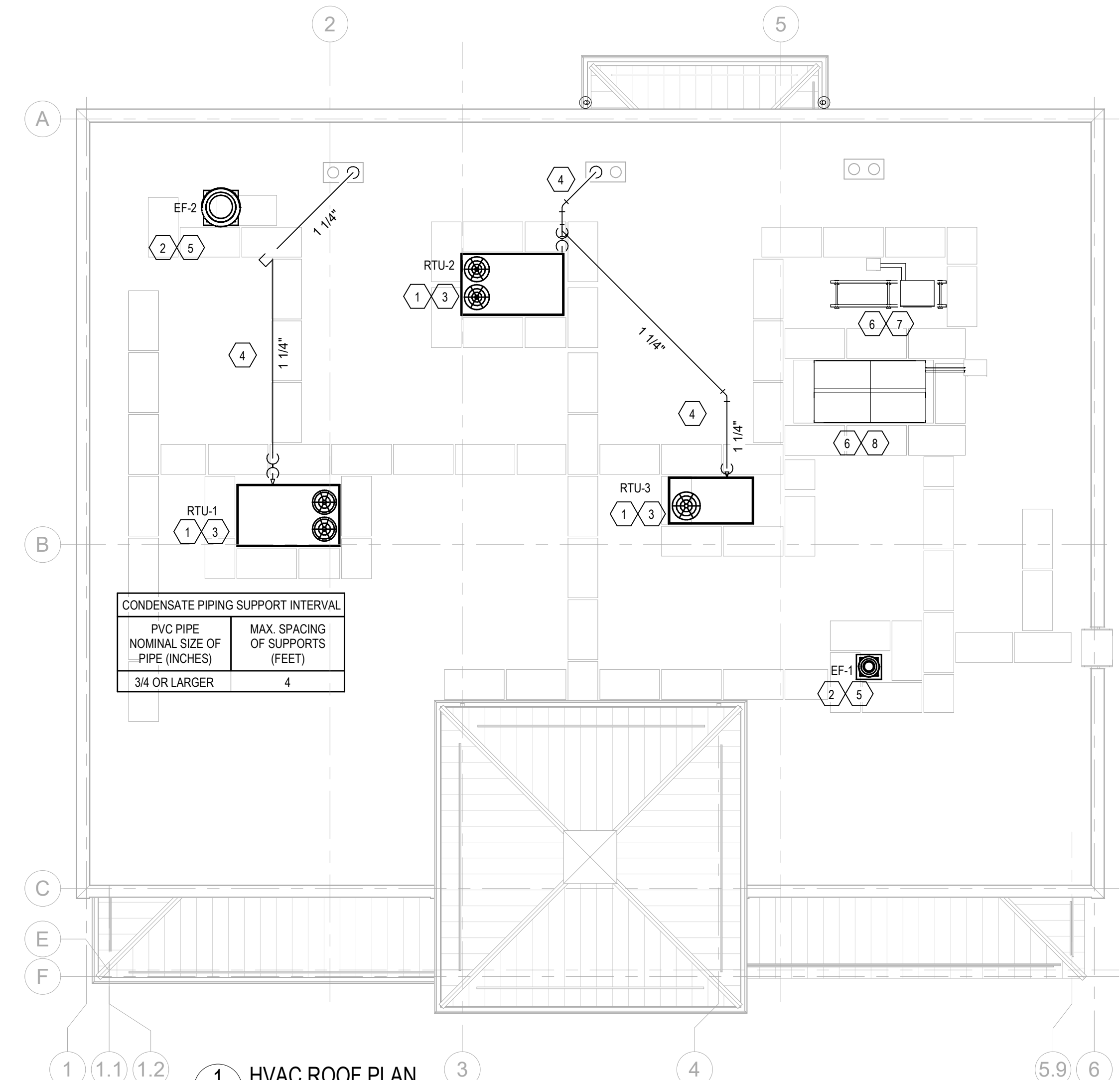
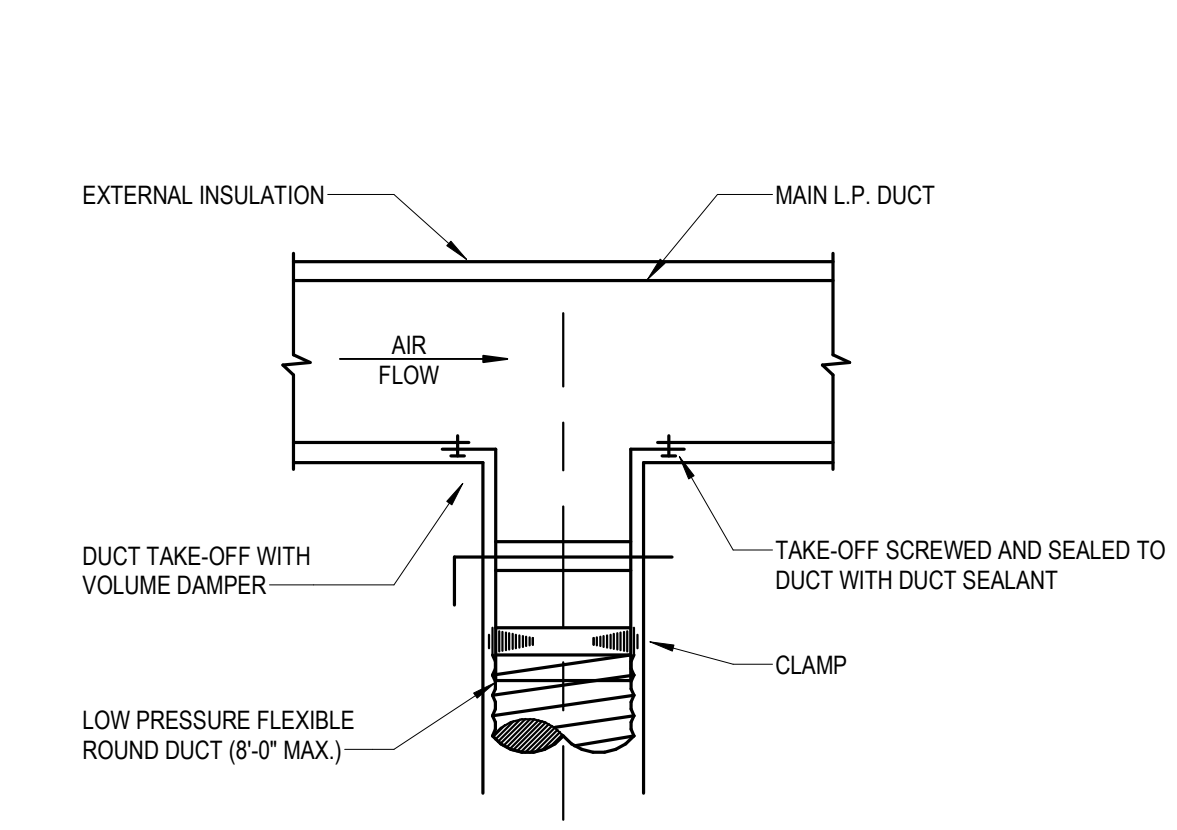
3 HVAC LOW PRESSURE SUPPLY BRANCH DUCT DETAIL
M2.0 NOT TO SCALE



10 HVAC CEILING MOUNTED AIR DIFFUSER SUPPORT DETAIL
M2.0 NOT TO SCALE

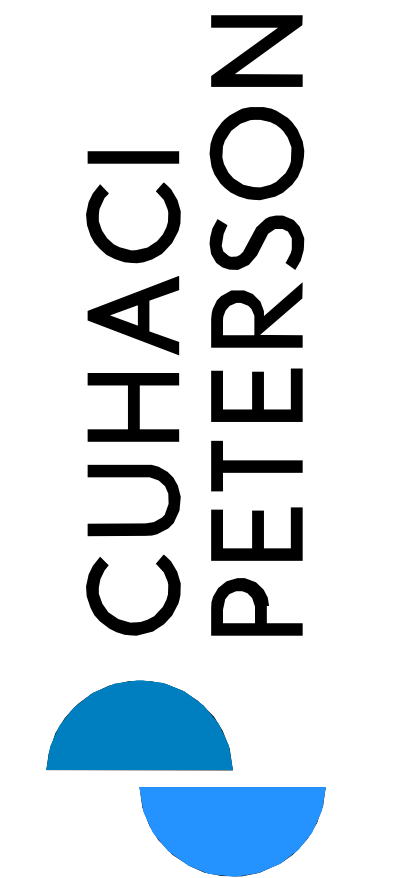


9 HVAC CEILING DIFFUSER RUNOUT DETAIL
M2.0 NOT TO SCALE



- SHEET NOTES**
- FACTORY INSTALLED SMOKE DETECTOR IN MAIN SUPPLY AND RETURN OF EACH ROOF TOP UNIT.
 - INSTALL ROOF MOUNTED EXHAUST FAN PER DETAIL ON SHEET M2.0 COORDINATE EXACT LOCATION OF FAN PENETRATION WITH ARCHITECTURAL ROOF PLAN. TRANSITION GALVANIZED DUCT WORK AS NECESSARY FROM FAN INTO CEILING/JOIST SPACE. SEE SHEET M1.0 FOR CONTINUATION.
 - PROVIDE FLEXIBLE CONNECTIONS BETWEEN ALL DUCT WORK AND MECHANICAL UNITS.
 - ROUTE SCH. 40 PVC CONDENSATE DRAIN PIPING ALONG ROOF. SUPPORT PIPING PER DETAIL ON SHEET M2.0
 - MAINTAIN A MINIMUM 10" CLEARANCE BETWEEN OUTSIDE AIR INTAKES AND EXHAUST TERMINATIONS ON ROOF.
 - FOOD SERVICE REFRIGERATION EQUIPMENT PROVIDED BY OTHERS.
 - FOOD SERVICE REFRIGERATION EQUIPMENT MOUNTED ON PRE-ENGINEERED RACK. SEE DETAIL ON SHEET A3.0
 - FOR SPECIFIC WIND LOADING REQUIREMENTS NOT TO EXCEED 115 MPH, SEE STRUCTURAL DRAWINGS.

2600 Midland Center Parkway
Suite #200
Midland, FL 32751
P (407) 661-9100
F (407) 661-9101
c-p.com



CLIENT NAME
WAWA
260 W. BALTIMORE PIKE
WAWA, PA 19063

PROJECT NAME
W50FEB V2022.1
STORE #8489
RT-1 & PRINCE ST.,
EDISON, NJ

SHEET TITLE
HVAC ROOF PLAN & DETAILS

Revision Schedule	No.	Description	Date
PERMIT SET			03/01/2023
PRE-BID SET			03/01/2023
BID SET			03/23/2023
MECH & PLUMB			06/30/2023
CONSTRUCTION SET			06/30/2023

PROJECT NO.	2200753
DATE	03-01-2023
DRAWN	JOF
CHECKED	ESD

M2.0

MECHANICAL GENERAL NOTES

- REFER TO WRITTEN BOOK SPECIFICATIONS FOR ADDITIONAL INFORMATION.
- WORK TO BE DONE UNDER THESE SPECIFICATIONS AND THE DRAWINGS CONSISTS OF FURNISHING ALL EQUIPMENT, MATERIALS, LABOR AND SERVICES, AND PERFORMING ALL OPERATIONS TO COMPLETE THE MECHANICAL CONSTRUCTION WORK FOR THIS PROJECT. ANY WORK NOT SPECIFICALLY COVERED BY THESE SPECIFICATIONS OR INDICATED ON THE MECHANICAL/ELECTRICAL/PLUMBING PLANS, BUT NECESSARY TO COMPLETE ANY PART OF THIS INSTALLATION IN A SUBSTANTIAL MANNER, SHALL BE PROVIDED WITHOUT EXTRA COST TO OWNER.
- THE TERM "FURNISH" SHALL MEAN TO OBTAIN AND SUPPLY TO THE JOB SITE. THE TERM "INSTALL" SHALL MEAN TO FIX IN POSITION AND CONNECT FOR USE. THE TERM "PROVIDE" SHALL MEAN TO FURNISH AND INSTALL. THE TERM "MECHANICAL WORK" OR "WORK" SHALL MEAN ALL LABOR, MATERIAL, EQUIPMENT, SCAFFOLDING, RIGGING, TOOLS, SUPERVISION, SERVICES AND OTHER INCIDENTALS NECESSARY FOR COMPLETE AND OPERABLE INSTALLATION.
- THE CONTRACTOR SHALL FURNISH AND INSTALL ALL EQUIPMENT, MATERIALS AND LABOR TO PROVIDE A COMPLETE AND OPERATIONAL SYSTEM AS INDICATED ON THE DESIGN DOCUMENTS.
- CONTRACTOR SHALL OBTAIN ALL PERMITS, INSPECTIONS AND APPROVALS PRIOR TO AND DURING CONSTRUCTION.
- ALL MATERIALS, EQUIPMENT AND INSTALLATIONS SHALL BE IN STRICT ACCORDANCE WITH **INTERNATIONAL MECHANICAL CODE 2021**, MECHANICAL, SMACNA, UL, STATE CODES, LOCAL CODES, MANUFACTURER'S RECOMMENDATIONS, AND ALL AUTHORITIES HAVING JURISDICTION.
- CONTRACTOR SHALL PROVIDE ALL ROOFING OPENINGS, FLASHINGS, AUXILIARY STEEL, THREADED RODS, VIBRATION ISOLATORS, TURNBUCKLES, ETC. TO SUPPORT HIS EQUIPMENT ON OR FROM THE STRUCTURE.
- CONTRACTOR SHALL COORDINATE ALL WORK WITH OTHER TRADES AND IN FIELD PRIOR TO INSTALLATION OF ANY WORK. REPORT ALL CONFLICTS IMMEDIATELY TO ARCHITECT AND ENGINEER.
- THE DRAWINGS INDICATE DIAGRAMMATICALLY THE EXTENT, GENERAL CHARACTER AND LOCATION OF THE WORK INCLUDED. OFFSETS OR CHANGES IN DUCT SHAPE TO AVOID STRUCTURAL OR OTHER INTERFERENCES, AND WORK INDICATED BUT HAVING MINOR DETAILS OBVIOUSLY OMITTED SHALL BE PROVIDED WITHOUT EXTRA COST.
- ANY CHANGES AND/OR MODIFICATIONS MUST BE REVIEWED AND APPROVED BY THE ENGINEER OR OWNER'S REPRESENTATIVE PRIOR TO CONSTRUCTION.
- REMOVE ALL TRASH, DEBRIS AND DEMOLITION MATERIAL FROM PREMISES AT THE END OF EACH WORK DAY.
- SCHEDULE ALL WORK, CUTTING AND BUILDING SERVICE INTERRUPTIONS WITH BUILDING OWNER AND CONSTRUCTION MANAGER, PRIOR TO COMPLETING WORK.
- ALL DUCT DIMENSIONS ARE INSIDE CLEAR DIMENSIONS.
- THE MAXIMUM FLEXIBLE DUCT LENGTH PERMITTED IS 8'-0". THIS DUCTWORK SHALL BE INSTALLED WITHOUT KINKS OR 90° BENDS.
- ALL FLEXIBLE DUCTWORK SHALL BE FLEX-VENT TYPE KM INSULATED WITH POLYMER INNER FILM AND METALIZED OUTER JACKET, OR APPROVED EQUAL. SIZE SHALL BE SAME AS DIFFUSER NECK SIZE, UNLESS INDICATED OTHERWISE.
- FIELD ADJUST THE DIRECTION OF BLOW FOR ALL SUPPLY AIR DEVICES SO THAT THE DEVICES DO NOT BLOW DIRECTLY INTO SOFFITS, CURTAIN WALLS, REFRIGERATED CASES OR EXHAUST HOODS.
- ALL NEW AND EXISTING PIPES AND DUCTS SHALL HAVE UL FIRE RATED SLEEVES AND/OR FIRE RATED DAMPERS, WHEN PASSING THROUGH FIRE RATED CONSTRUCTION.
- COORDINATE LOCATION OF NEW DUCTWORK, AIR DEVICES AND EQUIPMENT WITH LIGHT FIXTURES, SPRINKLER PIPING AND HYDRONIC PIPING.
- CONTRACTOR SHALL VERIFY FIELD CONDITIONS AT THE SITE AND NOTIFY THE OWNER/ENGINEER OF ANY DISCREPANCIES PRIOR TO COMMENCING WORK.
- ALL WALL MOUNTED TEMPERATURE, HUMIDITY, AND CO2 SENSORS SHALL BE INSTALLED AT AN ELEVATION 5'4" ABOVE FINISHED FLOOR TO THE TOP UNLESS OTHERWISE NOTED ON DRAWINGS. COORDINATE FINAL LOCATIONS WITH EQUIPMENT, FURNITURE, TENANT AND ARCHITECT PRIOR TO INSTALLATION.
- ALL DUCTWORK SHALL BE GALVANIZED STEEL CONSTRUCTED AT 2" PRESSURE CLASS. ALL CONCEALED DUCTWORK BELOW TRUSSES SHALL BE INSULATED WITH 1-1/2" FIBERGLASS DUCT WRAP WITH WIRE SUPPORT BANDS ON 24" CENTERS. ALL CONCEALED DUCTWORK ABOVE THE TRUSSES SHALL BE INSULATED WITH 1-1/2" OF FIBERGLASS DUCT WRAP WITH WIRE SUPPORT BANDS ON 24" CENTERS. ALL INTERIOR EXPOSED DUCTWORK BELOW TRUSSES SHALL BE INSULATED WITH 1" RIGID FIBERGLASS DUCT BOARD WITH FOIL AND SCRM FACING. ALL EXTERIOR EXPOSED DUCTWORK SHALL BE INSULATED WITH 4" RIGID FIBERGLASS BOARD WITH WEATHERPROOF MEMBRANE.
- VERIFY ALL EQUIPMENT VOLTAGES, WIRING REQUIREMENTS, AND REQUIRED BREAKER SIZES WITH THE ELECTRICAL CONTRACTOR PRIOR TO ORDERING EQUIPMENT.
- ALL ACCESS DOORS REQUIRED IN GENERAL CONSTRUCTION ARE TO BE PROVIDED AND INSTALLED BY THE GENERAL CONTRACTOR. IT IS THE RESPONSIBILITY OF THE MECHANICAL CONTRACTOR TO IDENTIFY SIZE, TYPE AND LOCATION OF SUCH DOORS FOR PROPER ACCESS TO ALL CONCEALED MECHANICAL EQUIPMENT, VALVES AND OTHER RELATED DEVICES. THE MECHANICAL CONTRACTOR SHALL IDENTIFY THESE REQUIREMENTS ON A COORDINATED SHOP DRAWING PRIOR TO SYSTEM FABRICATION AND INSTALLATION.
- AFTER THE HEATING AND AIR CONDITIONING SYSTEM INSTALLATIONS ARE COMPLETE, THE CONTRACTOR SHALL BALANCE THE SYSTEM AND PRESENT OWNER & ARCHITECT WITH A WRITTEN BALANCING REPORT BY A CERTIFIED INDEPENDENT TESTING LAB. DAMPER HANDLES SHALL BE FASTENED INTO DUCTWORK WITH SHEETMETAL SCREWS AFTER BALANCING TO ASSURE CORRECT BALANCED AIRFLOW.
- PROVIDE ELBOWS OR TEES WITH TURNING VANES FOR ALL CHANGES IN SUPPLY DUCT DIRECTION. PROVIDE BRANCH DUCT DAMPERS WITH LOCKING QUADRANTS FOR ALL BRANCHES AND TAKE-OFFS. PROVIDE RAISED QUADRANTS FOR INSULATED DUCTWORK. ALL VOLUME DAMPER HANDLES ARE TO PROTRUDE NEATLY THROUGH DUCT INSULATION AND BE TAGGED SO THAT THEY ARE CLEARLY VISIBLE.
- PROVIDE FLEXIBLE CONNECTIONS AT ALL DUCT CONNECTIONS TO VIBRATING EQUIPMENT. THESE CONNECTIONS SHALL BE INSTALLED IN CLOSE PROXIMITY TO SUCH EQUIPMENT.
- THE MECHANICAL CONTRACTOR SHALL HAVE A QUALIFIED HVAC TECHNICIAN FROM THE UNIT MANUFACTURER PROVIDE AN EQUIPMENT OPERATION CHECK AFTER UNIT START-UP AND PRIOR TO CERTIFIED AIR BALANCING. THE CERTIFICATION, SIGNED BY THE TECHNICIAN, MUST BE INCLUDED IN THE GENERAL CONTRACTOR CLOSING DOCUMENTS FOR THE STORE.
- PROVIDE CONDENSATE DRAIN PIPING SIZED PER PLAN. PROVIDE TRAP FOR EACH ROOFTOP UNIT PER DETAIL ON PLANS. PIPE DRAIN TO GUTTER OR DOWNSPOUT PER PLAN.

OUTSIDE AIR CALCULATION									
AREA SERVED	AREA (SQFT)	PEOPLE / 1000 SQFT	# PEOPLE	CFM / PERSON	PEOPLE O.A. REQ'D (CFM)	CFM / SQFT	SOFT OUTSIDE AIR (CFM)	TOTAL CFM CALCULATED	CFM SUPPLIED
OFFICE	63	5	2	5	10	0.06	4	14	
RETAIL	1871	15	29	7.5	218	0.12	225	443	
ASSOCIATES	77	5	2	5	10	0.06	5	15	
RTU-1								472	620
STAGING	43	2	1	10	10	0.12	6	16	
WASHROOM	73	20	2	7.5	15	0.12	9	24	
FOOD SVC. 1	401	20	9	7.5	68	0.12	49	117	
FOOD SVC. 2	360	20	8	7.5	60	0.12	44	104	
RTU-2								261	925
RETAIL	624	15	10	7.5	75	0.12	75	150	
FRONT VEST.	80	10	1	5	5	0.06	5	10	
REAR VEST.	47	10	1	5	5	0.06	3	8	
RTU-3								306	355

AIR BALANCE SCHEDULE	
SYSTEM	CFM
RTU-1	+620
RTU-2	+925
RTU-3	+355
EF-1	-300
EF-2	-1300
BUILDING POSITIVE PRESSURE	+300

- NOTES:**
- OCCUPANCY LOAD VENTILATION RATES ARE BASED ON NET OCCUPIABLE SPACE IN ACCORDANCE WITH THE 2021 INTERNATIONAL MECHANICAL CODE, TABLE 403.3.1.1
 - ANTICIPATED NUMBER OF PEOPLE IS BASED ON AN OCCUPANCY LOAD FACTOR (# PEOPLE/SF) VALUE (BASED ON THE 2021 INTERNATIONAL MECHANICAL CODE, TABLE 403.3.1.1).

HVAC AIR DEVICE SCHEDULE

TYPE MARK	MANUFACTURER	MODEL	SERVICE	DESCRIPTION	MOUNTING TYPE	MATERIAL	NECK SIZE	FACE SIZE	NOTES
CD-1	PRICE	AMD	SUPPLY	LOUVERED FACE DIRECTIONAL DIFFUSER	LAY-IN	ALUMINUM	18"X18"	24"X24"	1,6
CD-2	PRICE	AMD	SUPPLY	LOUVERED FACE DIRECTIONAL DIFFUSER	SURFACE	ALUMINUM	12"X12"	NECK-5"	5,6
CD-3	PRICE	AMD	SUPPLY	LOUVERED FACE DIRECTIONAL DIFFUSER	SURFACE	ALUMINUM	6"X6"	NECK-5"	5,6
G-1	PRICE	630FF	RET/EXH/TRAN	LOUVERED FACE FILTER RETURN GRILLE	LAY-IN	ALUMINUM	20"X20"	NECK-3-3/4"	4
G-2	PRICE	630FF	RETURN/TRANSFER	LOUVERED FACE FILTER RETURN GRILLE	SURFACE	ALUMINUM	12"X12"	NECK-3-3/4"	4
G-3	PRICE	630FF	EXHAUST	LOUVERED FACE FILTER RETURN GRILLE	SURFACE	ALUMINUM	8"X8"	NECK-3-3/4"	4
G-4	PRICE	630 D	EXHAUST	LOUVERED FACE RETURN GRILLE	SURFACE/WALL	ALUMINUM	10"X10"	NECK-1-3/4"	2,3
LD-1	PRICE	TB04	SUPPLY	48" INSULATED PLENUM W/ (4) 1" SLOTS	LAY-IN	ALUMINUM	SEE PLAN	NA	2,3

- NOTES:**
- NO SUBSTITUTIONS PERMITTED--
 - FOR LAY-IN CEILINGS PROVIDE WITH 18"X18" FULL FACE APPEARANCE DIFFUSER NECK. PROVIDE WITH FACTORY SQUARE TO ROUND NECK ADAPTER MODEL "SR". ROUND NECK SIZE SHALL BE EQUAL TO FLEX SIZE SERVING DIFFUSER.
 - PROVIDE WITH PLENUM INTERNALLY LINED WITH COATED FIBERBOARD. EXTERNALLY INSULATE PLENUM UPON INSTALLATION WITH DUCT WRAP INSULATION.
 - PROVIDE WITH CENTER NOTCH OPTION (CN) AS REQUIRED WHEN USED IN 24" T-BAR CEILING.
 - "QR" STYLE (1/4 TURN FASTENERS ONLY) - OMIT HINGE. FILTER TYPE RETURN GRILLES PROVIDED SOLELY FOR MAINTENANCE PURPOSES. OMIT FILTER UPON INSTALLATION.
 - PROVIDE WITH TYPE 6 BEVELED SURFACE MOUNT FRAME AND FACTORY SQUARE TO ROUND NECK ADAPTER MODEL "SR".
 - PROVIDE WITH BACKPAN INSULATION.

HVAC AIR CURTAIN SCHEDULE

MARK	AREA SERVED	BASIS OF DESIGN				UNIT POWER			MOUNTING HEIGHT	NOTES
		MANUFACTURER	MODEL	NOZZLE CFM	HP	VOLTAGE	PHASE			
AC-1	WASHROOM	POWERED AIRE	BCE-1-42	2163	0.5	120 V	1	7'-2"	1-4	
AC-2	DELIVERY ROOM	POWERED AIRE	BCE-1-48	2155	0.5	120 V	1	7'-2"	1-4	

- NOTES:**
- NO SUBSTITUTIONS PERMITTED--
 - MOUNT INSIDE BUILDING ABOVE DOOR AT 7'-2" A.F.F. MOUNTING HEIGHT IS FROM BOTTOM OF AIR CURTAIN.
 - PROVIDE ALL NECESSARY MOUNTING BRACKETS AND ACCESSORIES.
 - PROVIDE WITH MODEL SM-300 COMMERCIAL MAGNETIC REED DOOR SWITCH.
 - AIR CURTAIN CONTROLLED BY MAGNETIC REED DOOR SWITCH. FAN ON WHEN DOOR IS OPEN.

HVAC EXHAUST FAN SCHEDULE

MARK	CFM	EXT. STATIC PRESSURE	FAN TYPE	DRIVE TYPE	SONES	HP	FAN RPM	VOLTAGE	PHASE	BASIS OF DESIGN			NOTES
										MANUFACTURER	MODEL		
EF-1	300	0.250 in-wg	DOWNBLAST	DIRECT	6.1	1/12	1550	120 V	1	PENNBARRY	DX10R	1,2	
EF-2	1300	0.250 in-wg	DOWNBLAST	DIRECT	9.5	1/3	1300	120 V	1	PENNBARRY	DX16S	1,2	
EF-3	60	0.125 in-wg	INLINE	DIRECT	4.1	39 WATTS	1550	120 V	1	PENNBARRY	Z3H	3	

- NOTES:**
- NO SUBSTITUTIONS PERMITTED--
 - PROVIDE WITH FACTORY DISCONNECT, FACTORY WIRED SOLID STATE SPEED CONTROLLER, 18" HIGH ROOF CURB WITH DAMPER TRAY, BACKDRAFT DAMPER, AND BIRD SCREEN.
 - WIRE FOR CONTINUOUS OPERATION.
 - PROVIDE WITH FACTORY DISCONNECT & FACTORY WIRED SOLID STATE SPEED CONTROLLER. FAN SHALL BE WIRED TO EMERGENCY SHUTOFF SWITCH PROVIDED BY OTHERS. REFERENCE ARCHITECTURAL AND ELECTRICAL DRAWINGS.
 - PROVIDE WITH SINGLE ENTHALPY ECONOMIZER AND POWERED EXHAUST FAN.

HVAC ROOF TOP UNIT SCHEDULE

MARK	AREA SERVED	NOMINAL TONS	SUPPLY AIR FAN DATA				GAS HEAT	UNIT POWER		WEIGHT (LBS. RTU ONLY)	COOLING CAPACITY				BASIS OF DESIGN		MODEL	NOTES					
			CFM	OUTSIDE AIR (CFM)	E.S.P. (IN.)	HP		INPUT MBH	OUTPUT MBH		VOLTAGE	PHASE	MCA	MOCPP	TOTAL COOLING MBH	SENSIBLE COOLING MBH			EDB (°F)	EWB (°F)	AMBIENT (DB°FB/WB°F)	EER (IEER)	
RTU-1	RETAIL	8.5	3400	620	0.5	3.75	130	104	2	208 V	3	47	50	1409	98.3	93.2	76.9	64.2	92/75	12.1 [15.7]	LENNOX ENLIGHT	LGT102H4E	1-20
RTU-2	FOOD SERVICE	12.5	5000	925	0.5	3.75	NA	NA	NA	208 V	3	64	80	1342	146.1	108.1	75.2	62.5	92/75	11.0 [14.6]	LENNOX ENLIGHT	LCT150H4E	2-20
RTU-3	RETAIL	5.0	2000	355	0.5	1	65	53	2	208 V	3	31	40	903	58.1	46.8	76.5	63.8	92/75	12.8 [17.1]	LENNOX ENLIGHT	LGT060H4E	2-20

- NOTES:**
- PROVIDE CO2 SENSOR FOR INTERLINK WITH BUILDING AUTOMATION SYSTEM.
 - PROVIDE LENNOX HUMIDITROL HOT GAS REHEAT OPTION.
 - PROVIDE REMOTE WALL MOUNTED COMBINATION TEMPERATURE/HUMIDITY SENSOR MODEL 21W06
 - REFER TO CONTROL SYSTEM NOTES FOR CONTROL COMPONENTS REQUIREMENTS.
 - PROVIDE 5-MINUTE ANTI-SHORT CYCLE TIMER.
 - PROVIDE THRU THE BASE ELECTRICAL AND SINGLE POINT CONNECTION.
 - PROVIDE WITH 18" ROOF CURB.
 - PROVIDE FACTORY 15 AMP GFCI SERVICE OUTLET WITH WEATHERPROOF COVER. COORDINATE WITH ELECTRICAL CONTRACTOR TO PROVIDE FIELD WIRING TO RECEPTACLE.
 - PROVIDE WITH FACTORY INSTALLED DISCONNECT.
 - PROVIDE WITH HIGH PERFORMANCE SINGLE ENTHALPY ECONOMIZER AND POWERED EXHAUST FAN.
 - PROVIDE MANUFACTURER'S MOTOR AND DRIVE PACKAGE AS REQUIRED TO MEET SCHEDULED AIR CAPACITIES AND PRESSURE DROP.
 - PROVIDE FACTORY APPLIED PHENOLIC COATING FOR CORROSION PROTECTION ON CONDENSER COILS WITHIN 5 FEET OF SALT WATER.
 - PROVIDE BUILDING AUTOMATION SYSTEM (BAS) EQUIPMENT - REFER TO BAS SYSTEM MASTER SPEC FOR SYSTEM DETAILS AND EQUIPMENT PART NUMBERS.
 - PROVIDE FACTORY INSTALLED BACNET BAS INTERFACE.
 - PROVIDE LENNOX DIRTY FILTER SWITCH.
 - PROVIDE LENNOX IMC CONTROL BOARD (STANDARD ON L-SERIES UNITS)
 - TEMPERATURE SETPOINT: 74°F COOLING, 68°F HEATING. HUMIDITY SETPOINT: 50% RELATIVE HUMIDITY.
 - PROVIDE WITH FACTORY CONDENSATE PAN WATER LEVEL MONITORING DEVICE FOR COMPLIANCE WITH IMC, SECTION 307.2.3.
 - PROVIDE WITH FACTORY INSTALLED SUPPLY AND RETURN SMOKE DETECTORS.

HVAC ELECTRIC HEATING UNIT SCHEDULE

MARK	CFM	FAN TYPE	VOLTAGE	PHASE	HEATING CAPACITY	BASIS OF DESIGN		NOTES
						MANUFACTURER	MODEL	
FFH-1	150	FAN FORCED CLG HEATER	120 V	1	1500 W	QMARK	EFF-1500	1-3
FFH-2	150	FAN FORCED CLG HEATER	120 V	1	1500 W	QMARK	EFF-1500	1-3
FFH-3	150	FAN FORCED CLG HEATER	120 V	1	1500 W	QMARK	EFF-1500	1-3

- NOTES:**
- NO SUBSTITUTIONS PERMITTED--
 - COORDINATE MOUNTING FRAME TYPE WITH ARCHITECTURAL DRAWINGS.
 - PROVIDE FACTORY ACCESSORIES AS REQUIRED FOR RECESSED CEILING INSTALLATION.
 - PROVIDE WITH INTERNAL DISCONNECT SWITCH, FACTORY FAN DELAY SWITCH, FACTORY HIGH TEMPERATURE CUTOFF SWITCH, AND INTEGRAL THERMOSTAT.

RTU-1, 2, & 3 SEQUENCE OF OPERATION

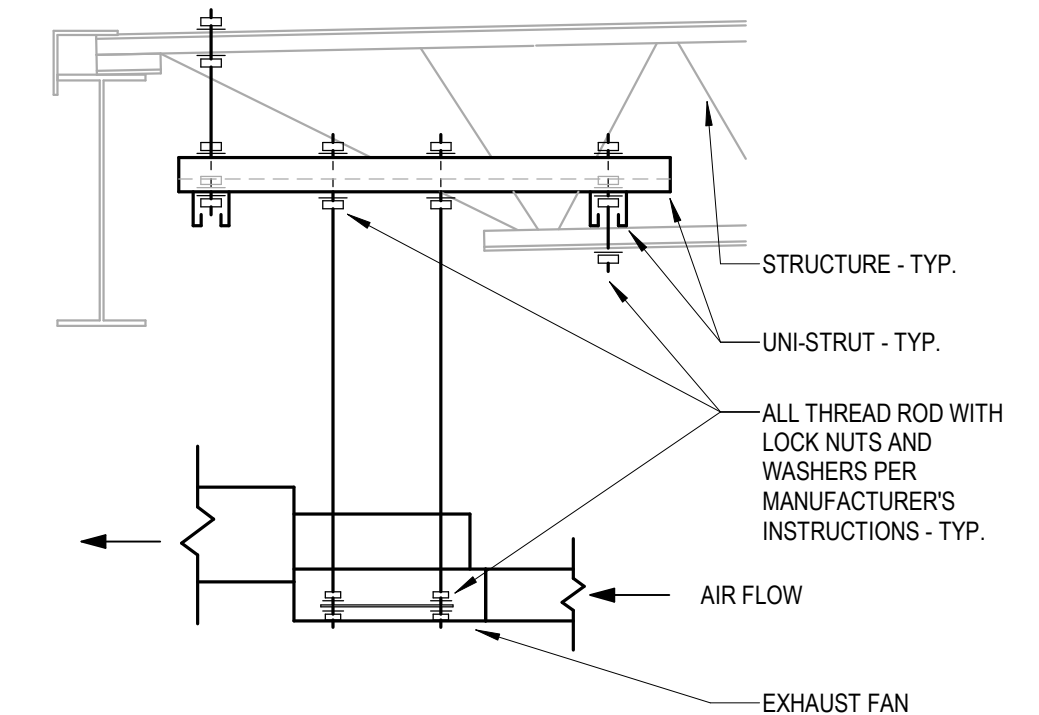
- SUPPLY AIR BLOWER SPEED**
UNIT HAS FOLLOWING SUPPLY AIR BLOWER SPEED SETTINGS THAT PERTAIN TO THIS INSTALLATION:
- COOLING AIR BLOWER SPEED
 - HEATING AIR BLOWER SPEED
- COOLING MODE**
- Y1 DEMAND: COMPRESSOR 1 OPERATES AND SUPPLY AIR BLOWER OPERATES AT COOLING SPEED.
 - Y2 DEMAND: ALL COMPRESSORS OPERATE AND SUPPLY AIR BLOWER OPERATES AT COOLING SPEED.
- DEHUMIDIFICATION MODE**
- IF THE UNIT RECEIVES A CALL FOR DEHUMIDIFICATION, ECONOMIZER FREE COOLING IS LOCKED OUT (ON UNITS EQUIPPED WITH ECONOMIZER).
 - CALL FOR DEHUMIDIFICATION, NO Y1, Y2 DEMAND: 1ST STAGE COMPRESSOR OPERATES, SUPPLY AIR BLOWER OPERATES AT COOLING SPEED, AND THE REHEAT VALVE IS ENERGIZED.
 - Y1 DEMAND WITH A CALL FOR DEHUMIDIFICATION: ALL COMPRESSORS OPERATE, SUPPLY AIR BLOWER OPERATES AT COOLING SPEED AND THE REHEAT VALVE IS ENERGIZED.
 - Y2 DEMAND WITH A CALL FOR DEHUMIDIFICATION: ALL COMPRESSORS OPERATE, SUPPLY AIR BLOWER OPERATES AT COOLING SPEED, AND THE REHEAT VALVE IS DE-ENERGIZED.
- HEATING MODE (GAS HEAT)**
- W1 DEMAND: 1ST STAGE GAS HEAT IS ENERGIZED AND THE SUPPLY AIR BLOWER OPERATES AT HEATING SPEED.
 - W2 DEMAND: 2ND STAGE GAS HEAT IS ENERGIZED AND THE SUPPLY AIR BLOWER OPERATES AT HEATING SPEED.
- MODULATING OUTDOOR AIR DAMPER**
- THE MINIMUM DAMPER POSITION FOR "OCCUPIED HIGH BLOWER" IS ADJUSTED DURING UNIT SETUP TO PROVIDE MINIMUM FRESH AIR REQUIREMENTS PER RTU SCHEDULE.
 - WHEN SUPPLY AIR BLOWER IS OFF, THE OUTDOOR AIR DAMPER IS CLOSED.
 - WHEN UNIT IS IN OCCUPIED MODE AND SUPPLY AIR BLOWER IS OPERATING, THE OUTDOOR AIR DAMPER IS AT MINIMUM "HIGHER BLOWER" POSITION.

HVAC LEGEND

SYMBOL	DESCRIPTION
	NEW RECTANGULAR OR ROUND DUCT
	FLEXIBLE DUCT
	SUPPLY AIR DUCTWORK UP THROUGH PLAN
	RETURN AIR DUCTWORK UP THROUGH PLAN
	EXHAUST AIR DUCTWORK UP THROUGH PLAN
	90° ELBOW WITH TURNING VANES
	MANUAL AIR VOLUME CONTROL DAMPER
	4 WAY SUPPLY DIFFUSER
	3 WAY SUPPLY DIFFUSER
	2 WAY OPPOSED SUPPLY DIFFUSER
	2 WAY CORNER SUPPLY DIFFUSER
	RETURN AIR DEVICE
	EXHAUST AIR DEVICE
	VAV PLAQUE FACE DIFFUSER
	AIR CURTAIN
	LINEAR SLOT DIFFUSER WITH PLENUM
	TEMPERATURE SENSOR
	COMBINATION TEMPERATURE/HUMIDITY SENSOR
	CO2 SENSOR
	TYPE MARK CFM
	MECHANICAL EQUIPMENT TAG
	CONDENSATE PIPING
	ROOF MOUNTED EXHAUST FAN
	INLINE EXHAUST FAN
	PACKAGED ROOFTOP AIR CONDITIONER

ABBREVIATIONS

DB°F	DRY BULB DEGREES FAHRENHEIT	LD	LINEAR DIFFUSER
AC	AIR CONDITIONING	L.P.	LOW PRESSURE
AC	AIR CURTAIN	MAX	MAXIMUM
A.F.F.	ABOVE FINISHED FLOOR	MBH	1000 BTU PER HOUR
BAS	BUILDING AUTOMATION SYSTEM	MCA	MINIMUM CIRCUIT AMPACITY
BTU	BRITISH THERMAL UNIT	MIN	MINIMUM
CD	CEILING DIFFUSER	MOCPP	MAXIMUM OVER CURRENT PROTECTION
CFM	CUBIC FEET PER MINUTE	MPH	MILES PER HOUR
CO2	CARBON DIOXIDE	O.A.	OUTSIDE AIR
D	DIAMETER	O.C.	ON CENTER
EER	ENERGY EFFICIENCY RATIO	PVC	POLYVINYL CHLORIDE
EF	EXHAUST FAN	REQ'D	REQUIRED
FFH	FAN FORCED HEATER	RTU	PACKAGED ROOF TOP HVAC UNIT
G	GRILLE	SCH	SCHEDULE
G.C.	GENERAL CONTRACTOR	SEER	SEASONAL ENERGY EFFICIENCY RATIO
GFCI	GROUND FAULT CIRCUIT INTERRUPTER	SF	SQUARE FOOT
HP	HORSEPOWER	TYP.	TYPICAL
IEER	INTEGRATED ENERGY EFFICIENCY RATIO	V	VOLTS
IN.	INCHES WATER COLUMN	W	WITH
LBS.	POUNDS	WB°F	WET BULB DEGREES FAHRENHEIT



1 INLINE FAN MOUNTING DETAIL
M3.0 NOT TO SCALE

RTU-1, 2, & 3 TEST AND BALANCE NOTES

- TEST AND BALANCE CONTRACTOR TO OBTAIN INITIAL BALANCE OF COOLING CFM FOR RTU USING FAN SHEAVE ADJUSTMENT TO WITHIN +/- 5% SCHEDULED COOLING CFM. PRODIGY CONTROLLER MAY BE USED FOR FINAL 5% TO OBTAIN COOLING CFM.
- SET MINIMUM OUTSIDE AIR DAMPER POSITION FOR COOLING AND VERIFY OUTSIDE AIR CFM PER RTU SCHEDULE.
- NOT USED
- NOT USED
- USING PRODIGY CONTROLLER, VERIFY HEATING CFM EQUALS COOLING CFM.
- ALL PRODIGY CONTROLLER SETTINGS OTHER THAN THOSE MENTIONED ABOVE SHALL REMAIN AS THEIR DEFAULT VALUE AS SET FROM THE FACTORY.
- VERIFY POSITIVE BUILDING PRESSURE.

LENNOX SETUP PARAMETERS / MID-ATLANTIC STORES (R3)

UNIT ID CONFIGURATION (MECHANICAL CONTRACTOR TO DEFINE / AS APPLICABLE):

- BACNET CONFIGURATION:** GO TO SETTINGS-GENERAL-CONFIGURATION ID1 POSITION 5 SET TO "B"
- NETWORK CONFIGURATION:** GOT TO SETUP-NETWORK INTEGRATION, SET TO BACNET
- CONTROL MODE:** SET CONTROL MODE TO ROOM SENSOR; SET CO2, TEMP, & HUMIDITY TO "NO".
- ENTHALPY CONFIGURATION:** CHANGE CONFIG ID1 POSITION 2 FROM D (DUAL ENTHALPY) TO S (SINGLE ENTHALPY)
- FRESH AIR COOLING:** SETUP-TEST & BALANCE-DAMPER. SCROLL TO FRESH AIR COOLING SET TO "NO"
- FRESH AIR HEAT:** SETUP-TEST & BALANCE-DAMPER. SCROLL TO FRESH AIR HEAT SET TO "NO"

INDIVIDUAL PARAMETER CONFIGURATIONS (MECHANICAL CONTRACTOR TO DEFINE / AS APPLICABLE):

- PARAMETER 105 DEHUMID MODE: 7 NO CONDITIONS
- PARAMETER 106 DEHUMID SETPOINT: 50. THIS IS A CENTERED SET POINT (+/-)
- PARAMETER 107 DEHUMID DEADBAND: 3 (DEFAULT) THIS IS THE ACTUAL +/- VALUE
- PARAMETER 117 CO2 DAMPER MAX OPEN %: 50
- PARAMETER 118 CO2 START OPEN PPM: 1200
- PARAM