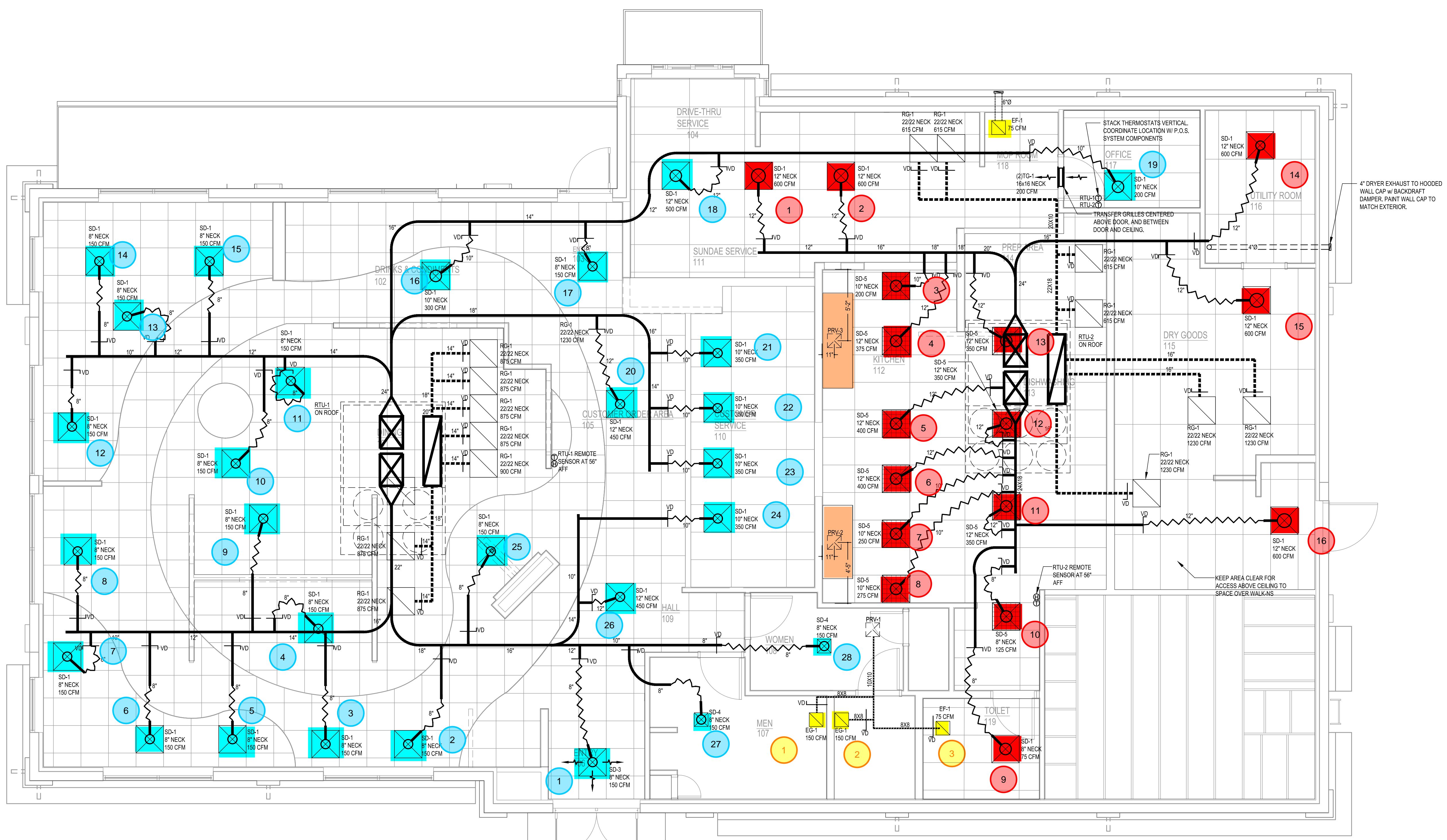


SEAL

OWNER:  
HODGESLITE3, LLC  
DBA Culver's on Hodges  
E7445 Fairway Court  
Reedsburg, WI 53959  
Don Lichte  
608-393-3113

OLLMANN ASSOCIATES ARCHITECTS, P.C.  
200 South State Street  
Belleville, Illinois 61008  
815-544-7190 Phone  
© OAA. All rights reserved. Any copying, transmission or  
disclosure subject to OAA written approval.

HVAC PLAN, DIFFUSER  
SCHEDULE  
Revision: 11-18-2022

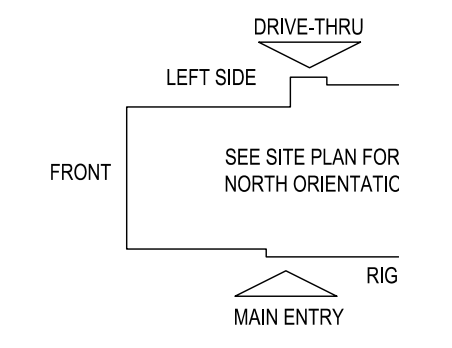


NOTE: ALL DUCTWORK TO BE LOCATED IN TRUSS SPACE WHERE POSSIBLE. SEE FRAMING PLAN.  
HVAC SETPOINTS RECOMMENDED BY CORPORATE OPERATIONAL GUIDELINES:  
1. DINING - HEATING 70°, COOLING 72°  
2. KITCHEN - HEATING 88°, COOLING 74°  
ALL MECHANICAL ROOF EQUIPMENT REQUIRE STRAPS TO RESIST THE WIND PRESSURES DETERMINED IN ACCORDANCE WITH THE FLORIDA BUILDING CODE. BUILDING. SEE STRUCTURAL PLANS FOR SPECIFICATIONS.

**SUPPLY DUCTWORK SIZING TABLE\***

ROUND		RECTANGULAR	
SIZE	CFM RANGE	SIZE	CFM RANGE
8"	115 - 235	8" x 8"	205 - 300
10"	240 - 435	10" x 8"	305 - 400
12"	440 - 710	10" x 10"	405 - 550
14"	715 - 1,070	12" x 10"	555 - 700
16"	1,075 - 1,530	12" x 12"	705 - 900
18"	1,535 - 2,090	14" x 12"	905 - 1,105
20"	2,095 - 2,760	16" x 12"	1,110 - 1,315
22"	2,765 - 3,550	18" x 12"	1,320 - 1,520
24"	3,555 - 4,470	20" x 12"	1,525 - 1,740
*CONTRACTOR MAY SUBSTITUTE RECTANGULAR FOR ROUND DUCTWORK ON MAIN RUNS AT THEIR DISCRETION. BRANCHES TO DIFFUSERS TO REMAIN ROUND.			
		22" x 12"	1,745 - 1,950
		24" x 12"	1,955 - 2,170
		26" x 12"	2,175 - 2,400
		28" x 12"	2,405 - 2,610
		30" x 12"	2,615 - 2,840
		32" x 12"	2,845 - 3,070
		34" x 12"	3,075 - 3,290
		36" x 12"	3,295 - 3,520
		36" x 14"	3,525 - 4,420

**E5 HVAC PLAN**  
SCALE: 1/4" = 1'-0"



**DIFFUSER, REGISTER, AND GRILLE SCHEDULE**

TAG	SERVICE	TYPE	MATERIAL	THROW	FACE	NECK	MOUNTING	MANUFACTURER/MODEL	Notes
SD-1	SUPPLY	LOUVERED	STEEL	4-WAY	24X24	SEE PLAN	LAY-IN	CARNES SPPA24	2, 4
SD-2 - NOT USED									
SD-3	SUPPLY	LOUVERED	STEEL	3-WAY	SEE PLAN	SEE PLAN	SURFACE	CARNES SKSA	2, 4
SD-4	SUPPLY	LOUVERED	STEEL	4-WAY	12X12	SEE PLAN	SURFACE	CARNES SKSA	1, 2, 4
SD-5	SUPPLY	PERFORATED	STEEL	PERFORATED	24X24	SEE PLAN	LAY-IN	CARNES SPRB24	2, 4
RG-1	RETURN	SQUARE EGGRATE	ALUMINUM	N/A	24X24	22x22	LAY-IN	CARNES RAPMF	2, 3, 4
EG-1	RETURN	LOUVERED GRILLE	STEEL	N/A	12X12	SEE PLAN	SURFACE	CARNES RTLAH	1, 2, 4
TG-1	TRANSFER	LOUVERED GRILLE	STEEL	N/A	SEE PLAN	SEE PLAN	SURFACE	CARNES RTLAH	2, 4

DIFFUSER NOTES:  
1. PROVIDE w/ ADJUSTABLE OPPOSED BLADE DAMPER  
2. VERIFY ALL DIFFUSERS AND RETURN GRILLE COLORS WITH OWNER AND ARCHITECT  
3. PROVIDE w/ 22X22 PLENUM BOX.  
4. ALL DIFFUSERS AND RETURNS LOCATED IN BLACK CEILING SHALL BE FLAT BLACK FINISH.

# GENERAL NOTES

- DEVIATIONS FROM THE HVAC PLANS ARE THE RESPONSIBILITY OF THE HVAC CONTRACTOR & WILL NOT RESULT IN ADDITIONAL COSTS TO THE OWNER UNLESS WRITTEN CHANGE ORDERS ARE APPROVED BY THE OWNER.
- ALL WORK TO BE PERFORMED TO STATE CODE & SMACNA GUIDELINES.
- INSTALL UNITS ACCORDING TO MANUFACTURERS GUIDELINES.
- PROVIDE OWNER W/ OPERATION & MAINTENANCE MANUALS & SYSTEM SCHEMATICS.
- CONTRACTOR TO CONFIRM VOLTAGES & PHASES OF EQUIPMENT PRIOR TO INSTALLATION.
- VERIFY ALL EXISTING CONDITIONS PRIOR TO INSTALLATION (DRAWINGS ARE DIAGRAMMATIC IN NATURE & DO NOT REFLECT EXACT LOCATIONS OF EQUIPMENT OR OTHER APPARATUS.)
- PROVIDE SHOP DRAWINGS TO THE ARCHITECT/DESIGNER FOR EQUIPMENT, FANS, REGISTERS, ETC. PRIOR TO PROCUREMENT.
- PROVIDE OWNER W/ COLOR CHOICES FOR SWITCHES & OTHER APPARATUS WHERE APPLICABLE.
- VENT OWNER WATER HEATER AS REQUIRED.
- VENT DRYER THRU SIDEWALL TO EXTERIOR AS REQUIRED. MAINTAIN CLEARANCE FROM INTAKES AS NOTED.
- HANG & SUPPORT MATERIALS SHALL BE INSTALLED THE LATEST EDITION OF THE ASHRAE HANDBOOK OF FUNDAMENTALS.
- MAINTAIN AT LEAST 10 FEET CLEARANCE FROM INTAKES OR WINDOWS ON ALL EXHAUST VENTS.
- TEST, ADJUST, & CALIBRATE CONTROL SYSTEMS AS REQUIRED. PROVIDE SCHEMATICS / DESCRIPTION TO THE OWNER PRIOR TO INSTALLATION.
- INSTALLER RESPONSIBLE FOR FINAL TEST & BALANCING DURING TRAINING WEEK. PROVIDE WRITTEN REPORT BY THIRD PARTY INDEPENDENT TAB CONTRACTOR.
- VERIFY W/ OWNER EXACT HEATER LOCATION TO AVOID BUILDING FUNCTION INTERFERENCE.
- REPLACE ALL AIR FILTERS PRIOR TO TURNING SYSTEM OPERATIONS OVER TO OWNER.
- HVAC CONTRACTOR IS RESPONSIBLE FOR A COMPLETE & FULLY WORKING SYSTEM.
- DUCT DIMENSIONS LISTED ARE NET FREE - CLEAR INSIDE DIMENSIONS.
- VERIFY DUCT LOCATIONS PRIOR TO FABRICATION. (VERIFY LIMITED AREA FOR DUCTWORK & OTHER APPARATUS.)
- INSULATE DUCT WORK TO SMACNA GUIDELINES & STATE CODES.
- INSTALL VOLUME CONTROL DAMPERS AS INDICATED ON PLANS.
- FLEXIBLE ROUND DUCT WORK NOT TO EXCEED 8 FEET IN LENGTH. AVOID UNNECESSARY TURNS & SLACK.
- VERTICAL RETURN AIR DUCT WORK DOWN FROM RTUs TO BE LINED FOR SOUND ATTENUATION.
- DUCT WORK TO BE STANDARD GAUGE SHEET METAL (FIBROUS DUCT NOT ALLOWED.)
- INSULATE EXHAUST DUCT FOR EXHAUST FAN TO EXTERIOR TERMINATION.
- COORDINATE WORK W/ GENERAL CONTRACTOR & OWNER TO MAXIMIZE CEILING HEIGHT & AVOID CONFLICTS.
- S/S WALL PANELS FOR THE KITCHEN AREA ARE TO BE FURNISHED AND INSTALLED BY THE HVAC CONTRACTOR. PANELS ARE TO BE 18 GA. TYPE 304 S/S. SEE DETAILS AND LOCATIONS ON THE A103 DRAWING.
- EXHAUST FANS AND FURNACE FANS TO RUN CONTINUOUSLY DURING OCCUPIED MODE.
- NIGHT SET BACK THERMOSTATS TO BE INSTALLED ON ALL HVAC EQUIPMENT.

## 2022-070 Culver's of Jacksonville-Hodges, FL Jacksonville, FL

### RTU SCHEDULES

UNIT No	AREA SERVED	NOM TON	VAV OR CAV	MODULATING HGRH	SA FAN VFD	SUPPLY CFM	MIN OA CFM	ESP	COOLING				HEATING				ELECTRICAL		POWER EXHAUST	EF VFD	BUILDING PRESS CONTROL	ERV R/AVE CFM	AVERAGING ROOM SENSORS	ACCEPTABLE MANUFACTURERS										
									OA TEMP		ROOM TEMP		SUPPLY TEMP		GAS OR ELEC	MBH/KW	SUPPLY CFM	OAT °FDB							EAT °FDB	LAT °FDB	MODULATING SS HEAT EXCH	VOLTAGE	PHASE					
									°FDB	°FWB	°FDB	%RH	COIL LAT °FDB	COIL LAT °FWB																MODULATING COMPRESSOR				
RTU-1	Dining Room	20.36	CAV	YES	YES	6,150	1,750	0.75"	92	78	75	51	55.0	54.8	YES	ELEC	39	6,150	23	58.1	78.08	78.08	74.45	YES	208	3	NO	-	NO	NO	-	NO	NO	ACCUREX, CAPTIVEAIRE
RTU-2	Kitchen	20.23	CAV	YES	YES	6,150	1,700	0.75"	92	78	75	52	55.0	54.8	YES	ELEC	31	6,150	23	58.2	78.08	78.08	74.45	YES	208	3	NO	-	NO	NO	-	NO	NO	ACCUREX, CAPTIVEAIRE

**ADDITIONAL OPTIONS FOR BOTH UNITS -** 2" MERV 13 FILTERS  
 MODULATING CONDENSER FANS  
 TOUCHSCREEN CONTROLLER  
 REMOTE TEMPERATURE AND HUMIDITY SENSORS  
 WEATHERPROOF DISCONNECT  
 ECONOMICIZER CONTROL WITH FAULT DETECTION & DIAGNOSTICS  
 14" TALL INSULATED CURB  
 SERVICE OUTLET  
 CONDENSATE OVERFLOW SWITCH  
 RETURN AIR SMOKE DETECTOR  
 BAROMETRIC RELIEF  
 HAIL GUARD  
 CONDENSATE TRAP KIT

- PRV-1 RESTROOM EXHAUST FAN - REFER TO SHEET M204
- PRV-2 GRIDDLE EXHAUST FAN - REFER TO SHEET M202
- PRV-3 FRYER EXHAUST FAN - REFER TO SHEET M203
- EF-1 MOP ROOM EXHAUST FAN - REFER TO SHEET M204
- ITEM #49A GRIDDLE HOOD - REFER TO SHEET M202
- ITEM #59A FRYER HOOD - REFER TO SHEET M203

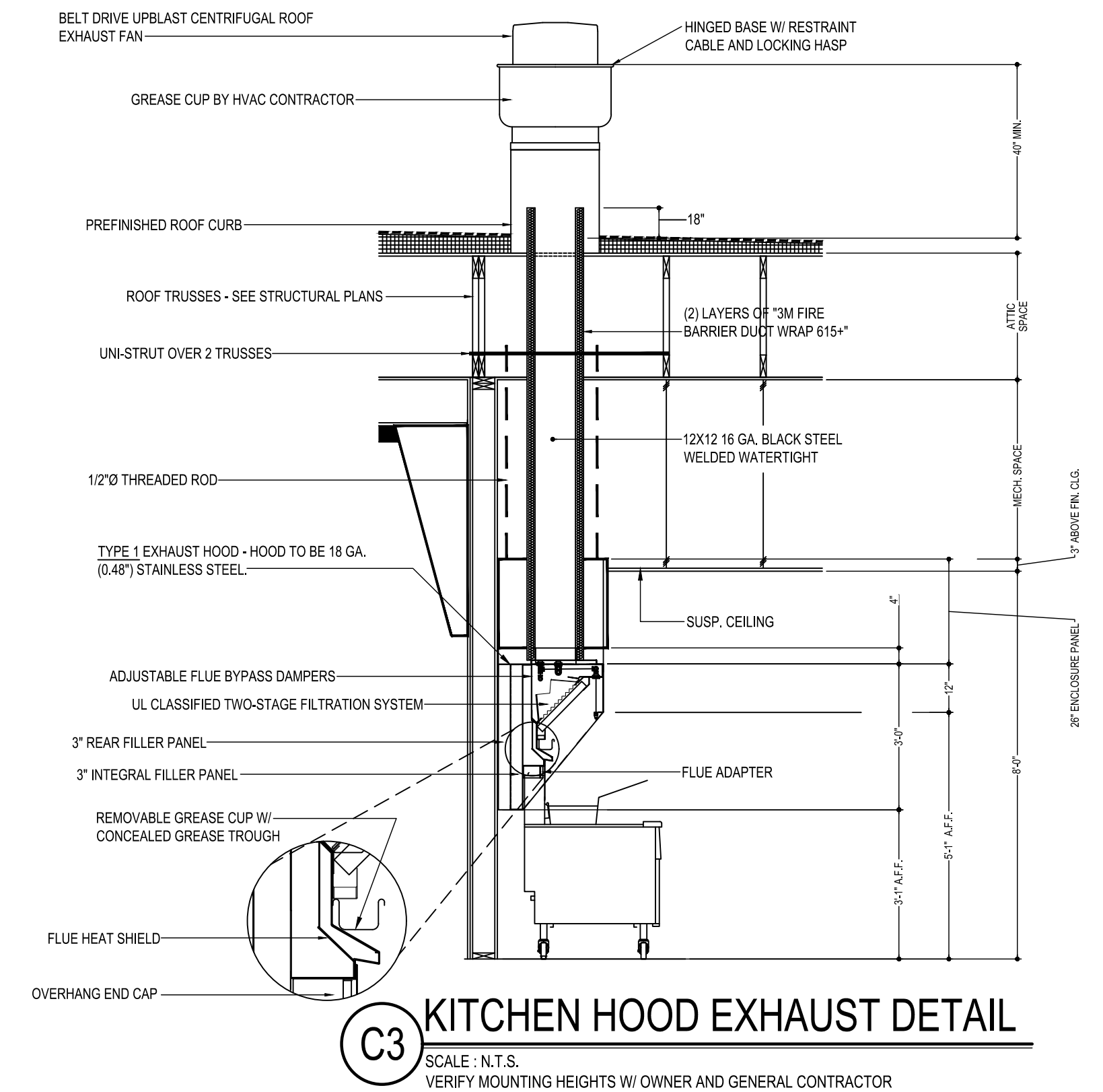
## COOKING APPLIANCE / TYPE 1 HOOD INTERLOCK

- REMOTE SWITCH ON - POWER TO KITCHEN FAN CONTROL CENTER (KFCO)
- KFCO CONTROLS:
  - a) EXHAUST FANS PRV-2 (GRILLE) & PRV-3 (FRYERS) ARE STARTED.
  - b) OPENS OUTSIDE AIR INTAKE ON RTU-1 & RTU-2 TO MINIMUM FRESH AIR OPENING.
  - c) POWER TO OUTLETS #51 (GRILLE) & #60 (FRYERS).
- GRILLE & FRYER CAN BE STARTED.
- IN CASE OF FIRE:
  - a) SHUNT TRIP BREAK FOR GRILLE & FRYERS OUTLET TRIPS.
  - b) ANSUL SYSTEM IS ACTIVATED.
  - c) THE MECHANICAL GAS VALVES CLOSES.
  - d) SHUT DOWN RTU-1 & RTU-2 & CLOSE OUTSIDE AIR.
  - e) EXHAUST FANS PRV-2 & PRV-3 CONTINUE TO RUN.

## GREASE HOOD FIRE SUPPRESSION SYSTEM

WET-CHEMICAL EXTINGUISHING SYSTEMS SHALL BE INSTALLED, MAINTAINED, PERIODICALLY INSPECTED AND TESTED IN ACCORDANCE WITH NFPA 17A AND THEIR LISTING.

AIR BALANCE TABLE				
EXHAUST AIR FLOW				
EQUIPMENT TAG	SERVICE	CFM		
PRV-1	RESTROOMS	300		
PRV-2	ITEM #49	1,500		
PRV-3	ITEM #59	1,500		
(2) EF-1	MOP ROOM	150		
TOTAL =		3,450		
VENTILATION REQUIRED PER FLORIDA BUILDING CODE (2020) MECHANICAL				
EQUIPMENT TAG	SERVICE	CFM		
RTU-1	DINING ROOM	1,750		
RTU-2	KITCHEN	225		
TOTAL =		1,975		
3,450 > 1,975 -> USE 3,450 CFM FOR OUTSIDE AIR CFM				
OVERALL AIRFLOW SUMMARY				
EQUIPMENT TAG	SERVICE	SUPPLY CFM	RETURN CFM	OUTSIDE AIR CFM
RTU-1	DINING ROOM	6,150	4,400	1,750
RTU-2	KITCHEN	6,150	4,450	1,700
TOTAL OUTSIDE AIR CFM =		3,450		



## NATIONAL ACCOUNT PROGRAM

1. ACCUREX/GREENHECK FAN CORPORATION - KITCHEN HOODS, EXHAUST FANS, ROOF CURBS, ANSUL SYSTEMS, ACCESSORIES AND TEST AND BALANCE  
 CONTACT: PHILIP KRAFT: 1-262-227-7865 or philip.kraft@accurex.com  
 SECONDARY CONTACTS:  
 BRAD BORCHARDT: 1-715-551-0809 brad.borchardt@accurex.com or  
 ANDY JACOBS andy.jacobs@accurex.com  
 ACCUREX WILL PROVIDE BALANCED AIRFLOW AND FUNCTIONAL CHARACTERISTICS OF THE HVAC AS THEY RELATE TO AIRFLOW AND RESISTANCE ONLY. SERVICES TO BE PERFORMED BY A CERTIFIED NEBB FIRM AND ITS MANAGING GROUP - NATIONAL TAB  
 2. CARNES COMPANY - DIFFUSERS AND GRILLES  
 NATIONAL ACCOUNTS SALES: CHRIS STRATTON - (608) 845-6411 cstratton@carnes.com  
 NATIONAL ACCOUNTS REP: BRIAN BAKER - (608) 845-6411 bbaker@carnes.com

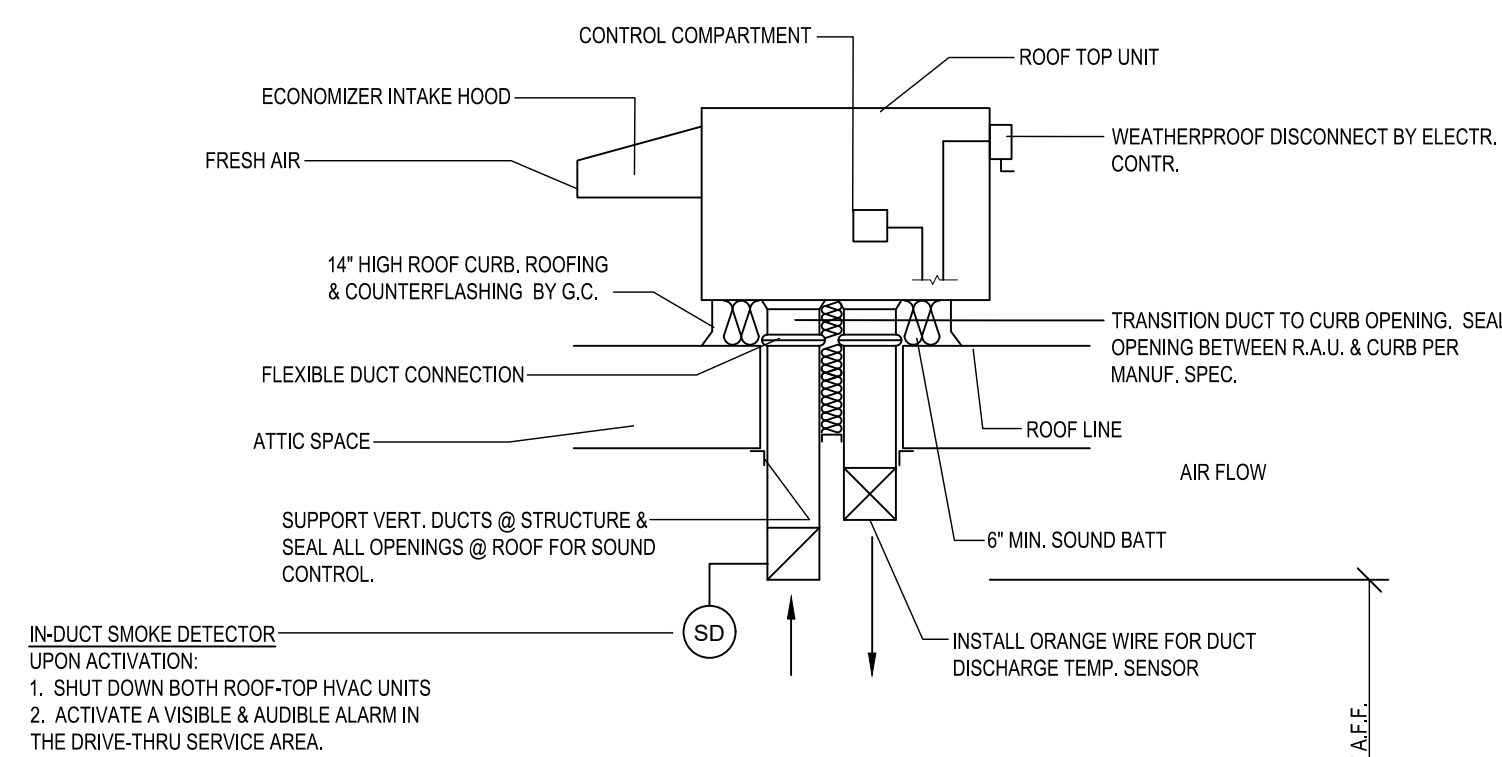
## CONTROL NOTES

NOTE: KITCHEN HOODS SUPPLIED AND INSTALLED BY HVAC CONTRACTOR

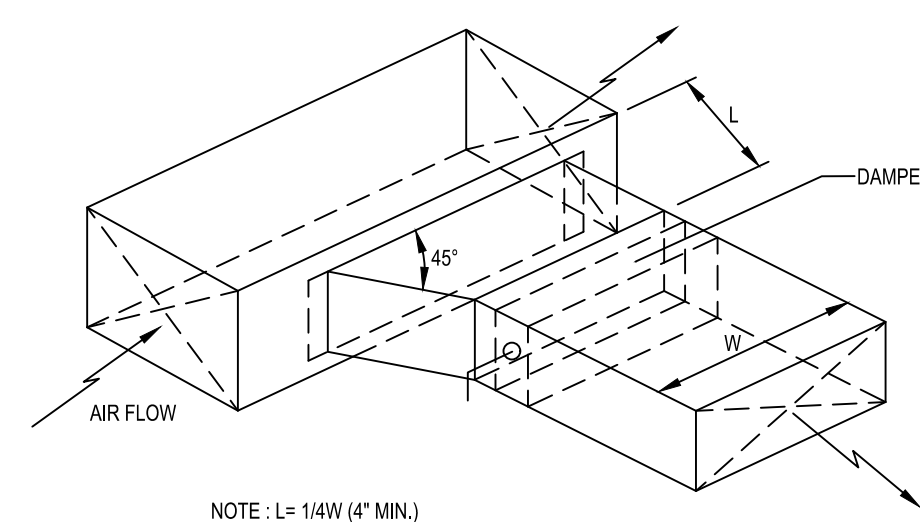
- WIRE RTU-1, RTU-2 TO SHUT-DOWN & EXHAUST HOOD FANS TO CONTINUE TO RUN UPON ACTIVATION OF THE ANSUL SYSTEM.
- WIRE RTU-1 & RTU-2 TO SHUT-DOWN UPON ACTIVATION OF ANY INDUCT SMOKE DETECTOR.
- OCCUPIED MODE: FANS IN RTU-1 & RTU-2, EXHAUST FANS PRV-1, PRV-2, PRV-3 AND EF-1 TO RUN CONTINUOUSLY.
- UNOCCUPIED MODE: FANS IN RTU-1 & RTU-2 TO RUN ONLY WHEN COOLING OR HEATING IS CALLED FOR.

## TEST & BALANCE NOTES

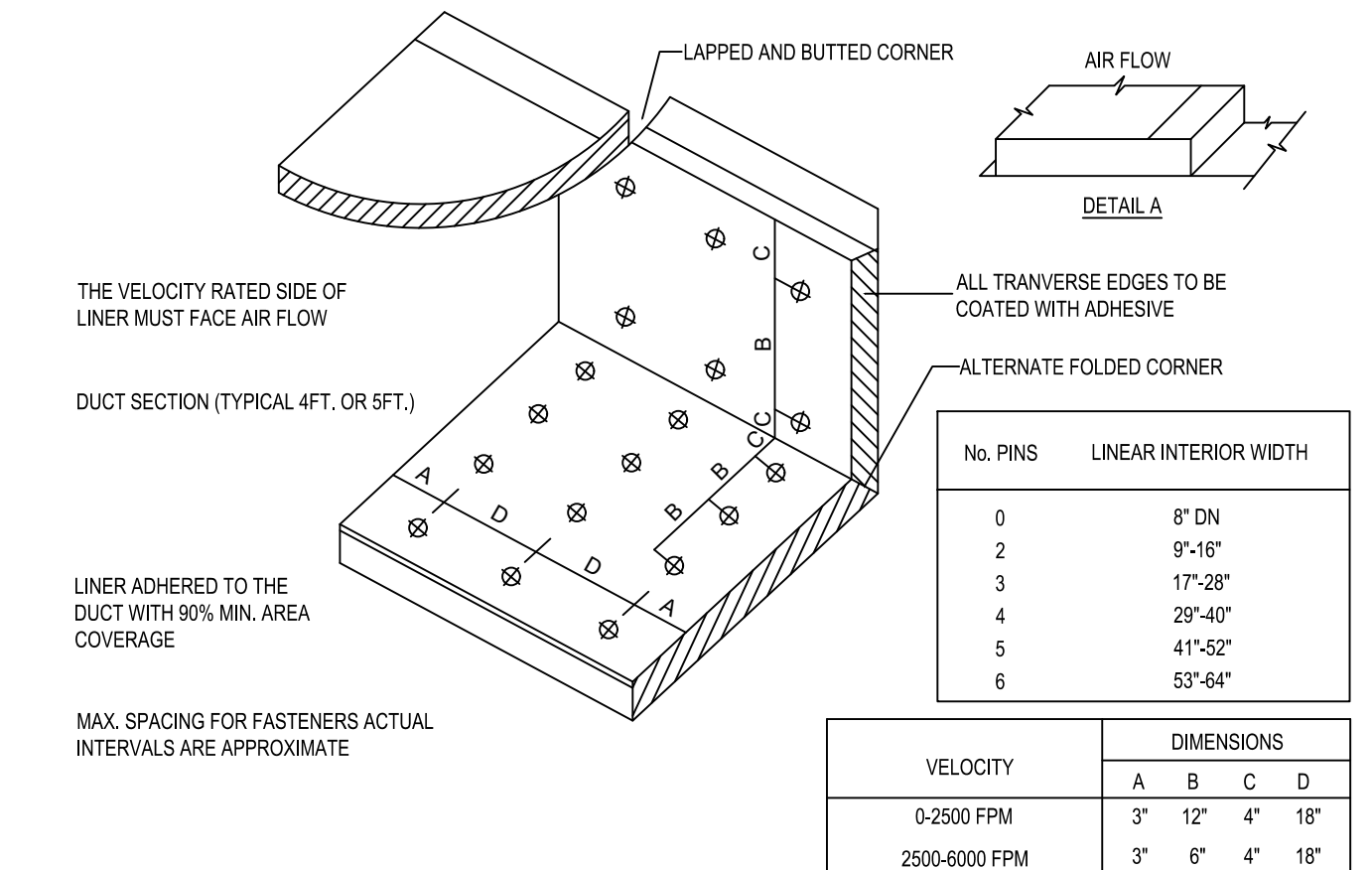
- ACCUREX WILL PROVIDE BALANCED AIRFLOW & FUNCTIONAL CHARACTERISTICS OF THE HVAC SYSTEM AS THEY RELATE TO AIRFLOW & AIR PRESSURE ONLY. SERVICES TO BE PERFORMED BY A CERTIFIED NEBB FIRM & ITS MANAGING GROUP NATIONAL TAB.
- SERVICES NOT INCLUDED: PULLEY / SHEAVE CHANGES, MOTOR CHANGE OUTS, OR RETURN TRIPS DUE TO DELAYS CAUSED BY JOB INCOMPLETENESS.



**A6** ROOFTOP HVAC UNIT  
SCALE: N.T.S.



**C6** BRANCH DUCT TAKEOFF DETAILS  
SCALE: N.T.S.



**E5** DUCT LINER INSTALLATION DETAIL  
SCALE: N.T.S.  
NOTE: USE ONLY ON VERTICAL DROP FROM RTU TO WITHIN 9'-10" A.F.F. DUCT LINER WILL NOT BE PERMITTED ON ANY HORIZ. RUNS.

© 2022

**NEW CULVER'S RESTAURANT**  
**4768 South Hodges Boulevard**  
 Jacksonville, FL 32224  
 County of DUVAL

SEAL

OWNER:  
 HODGESLITE3, LLC  
 DBA Culver's of Hodges  
 200 South State Street  
 Belvidere, Illinois 61008  
 815-544-7190 Phone  
 Don Lichte  
 608-393-3113

OLLMANN ASSOCIATES ARCHITECTS, P.C.  
 200 South State Street  
 Belvidere, Illinois 61008  
 815-544-7190 Phone  
 © OAA. All rights reserved. Any copying, transmission or disclosure subject to OAA written approval.

HVAC SCHEDULE & DETAILS

Revision:  
 Date: 11-18-2022

2022-070  
**M201**

EQUIPMENT SCHEDULE

TYPE 1 KITCHEN HOOD		HOOD DIMENSIONS				MARK: ITEM#49	
HOOD NO.	ACCUREX MODEL STYLE / CONFIGURATION	SECTION LENGTH	WIDTH	HEIGHT	GREASE CUP OR DRAIN	HOOD TEMP. RATING	SECTION LOCATION
1	XGEP-66-S SINGLE WALL EXHAUST ONLY LOW PROXIMITY	64 IN.	TOP 23 IN. FRONT 12 IN. BOTTOM 8 IN. (BACK 36 IN.)	RIGHT	600 DEG F	136.0 LBS.	SINGLE

ILLUMINATION DETAILS		GREASE FILTRATION DETAILS					
HOOD NO.	FIXTURE TYPE	QTY	INTENSITY FT CANDLES	TYPE / MODEL MATERIAL	QTY	LENGTH	HEIGHT
1	NONE	NA	0 / 0 IN. CC	GREASE GRABBER STAINLESS STEEL	4	16 IN.	16 IN.

HOOD SECTION # COLLAR #		EXHAUST PLENUM COLLARS				
DISTANCE TO END (IN.)	WIDTH (IN.)	LENGTH (IN.)	DIAMETER (IN.)	VOLUME (CFM)	S.P. (IN. WC)	VELOCITY (FT/MIN)
1.1	32	12	12	NA	1500	1518
TOTAL EXHAUST CFM - SECTION 1		1500 = 281 CFM / FT				

**OPTIONS AND ACCESSORIES**

430 STAINLESS STEEL WHERE EXPOSED  
UL 710 LISTED W/ OUT EXHAUST FIRE DAMPER - UL #R25625  
BACK NON-INTEGRAL AIR SPACE - 3 IN WIDE  
28 IN HIGH CEILING ENCLOSURES - FRONT LEFT RIGHT - FIELD INSTALLED  
FACTORY MOUNTED EXHAUST COLLAR(S)  
THIS HOOD IS PART OF A TEMPERATURE INTERLOCK CONTROL SYSTEM  
INCLUDES PERFORMANCE ENHANCING LIP (PEL) TECHNOLOGY  
STANDING SEAM CONSTRUCTION FOR SUPERIOR STRENGTH  
EMBOSSED STAINLESS STEEL FINISH FOR HIGH CORROSION RESISTANCE  
EQUIPMENT SPECIFIC S/S FLUE ADAPTER

**SPECIAL DESIGN REQUESTS**

SDR #K1100145 - FLUE BYPASS HOOD

**FIRE SUPPRESSION SYSTEM** MARK: FS FOR GRILL HOOD

MANUFACTURER / MODEL	FLOW POINTS	SUPPLY LINE	DETECTION	MOUNTING
ANSUL R-102 WET CHEMICAL	6 UTILIZED 11 AVAILABLE	CONTINUOUS	FUSIBLE LINK	REMOTE MOUNTED

FULL INSTALLATION (INCLUDES PRE-PIPED HOOD(S) WITH DETECTION AND FACTORY COORDINATED INSTALL)  
CHROME SLEEVES FOR FACTORY PROVIDED APPLIANCES DROPS - INCLUDED  
SUPPRESSION AGENT - INCLUDED - 3 GAL. - (1) 3 TANK(S)  
GAS VALVE - INCLUDED - MECHANICAL SHUTOFF VALVE, SUPPLIED UP TO 2"  
REMOTE FULL STATION - STANDARD - INSTALLATION AT SINGLE POINT OF EGRESS  
METAL BLOW-OFF CAPS - INCLUDED  
FIRE SYSTEM PERMIT - REQUIRED - FEE INCLUDED  
360°F. FUSIBLE LINK OR AS TESTED AND INSTALLED BY LOCAL INSTALLER PER UL MANUAL

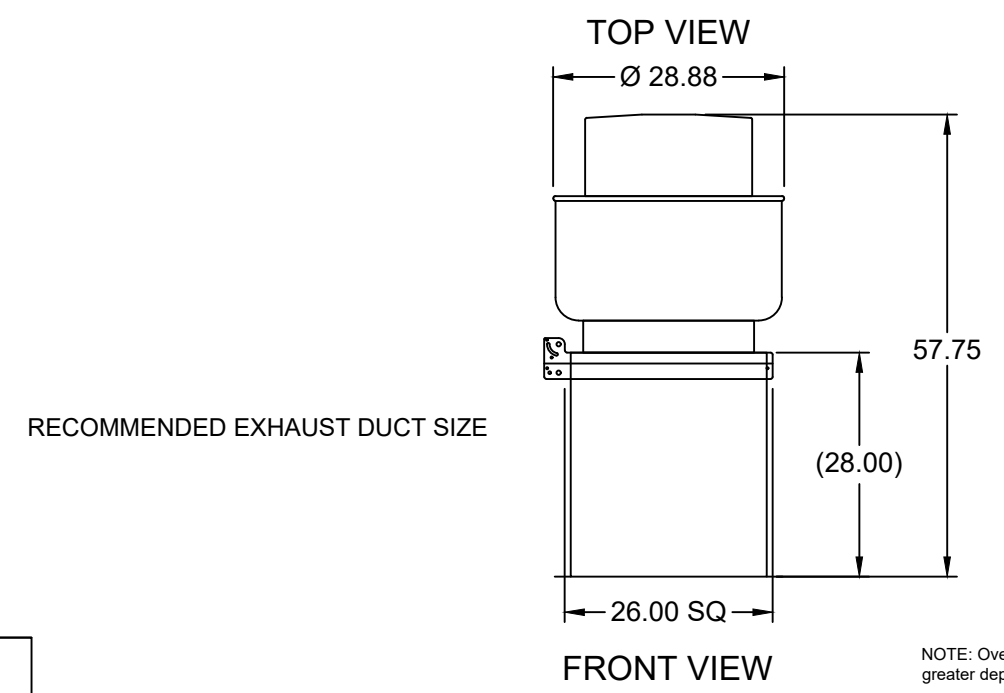
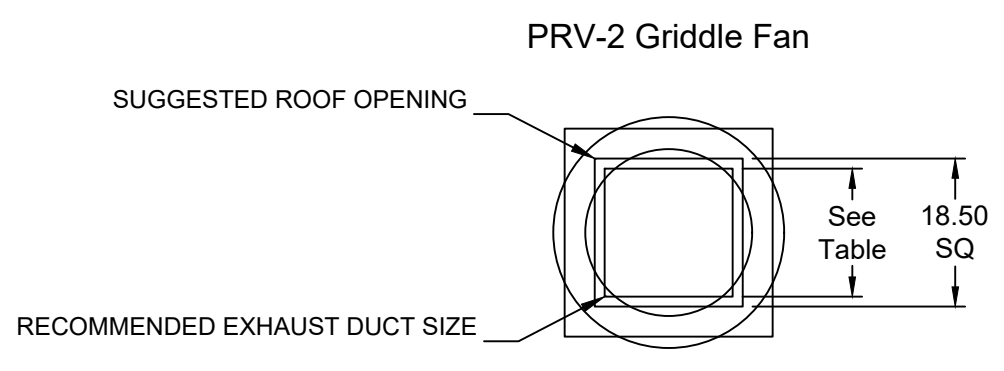
**GRILL HOOD SECTION 1 - (LENGTH 64.0 IN.) - LOW PROXIMITY HOOD - GREASE GRABBER FILTRATION SYSTEM**

**Belt Drive Upblast Centrifugal Roof Exhaust Fan** MARK: PRV-2

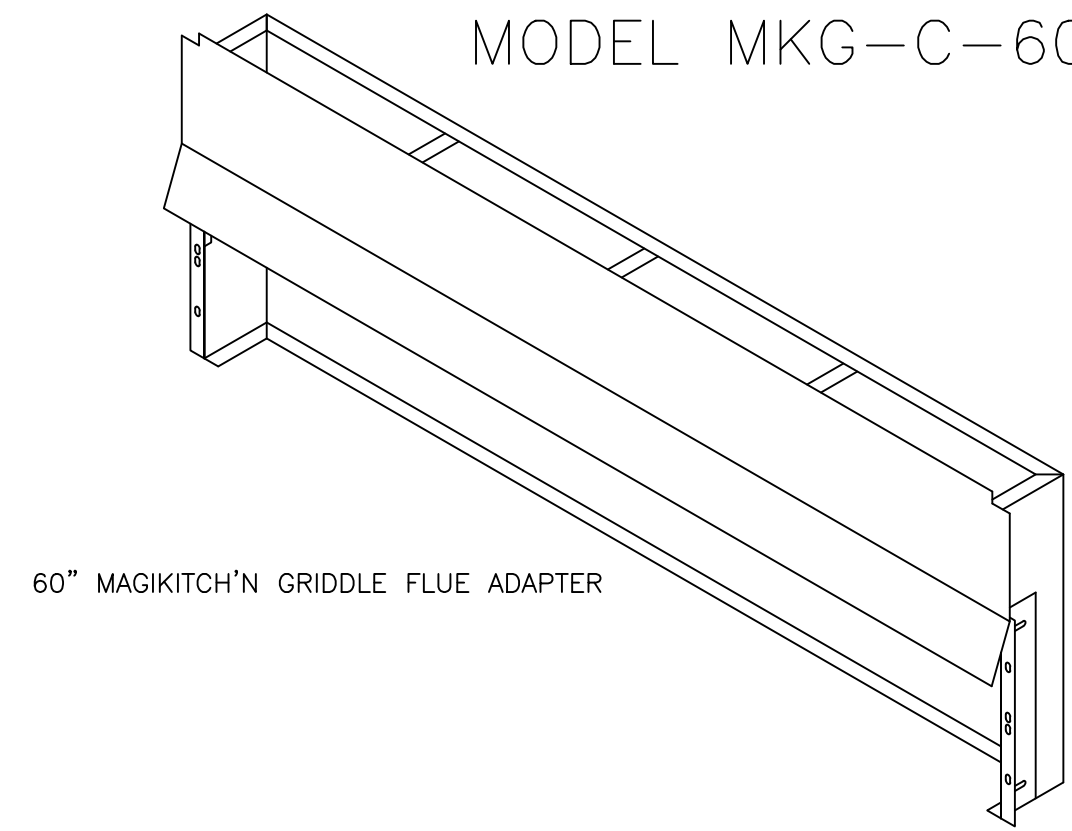
Qty	Accurex Model	Volume (CFM)	SP (in wg)	FRPM	Operating Power (hp)	Weight (Lb.)	Size (tp)	V/CP	Enct.	Motor RPM	Windings	FLA
1	XRUB-160XP-15	1500	2.337	2,411	1.29	171	1.5	208/60/3	CP	1725	1	6.6

**OPTIONS AND ACCESSORIES**

UL/GUL 762 Listed - "Power Ventilators for Rest. Exh. Appliances"  
Switch, NEMA-1, (PN N1TSD0-3-30) Toggle, Shipped with unit  
Larger curb cap size - 28" Square  
Roof curb-Galv., GPF-26-28, Under sized 1.5" Total  
Hinged Base (Attached)  
High Temp Curb Seal Rated for Continuous duty at 2000F (Attached)  
Clean-out Port  
Grease Trap with Drain Connection (PN 475538)  
Heat Baffle (Attached)  
Bearings with Grease Fittings, L10 life of 100,000 hrs (L50 avg. life 500,000 hrs)

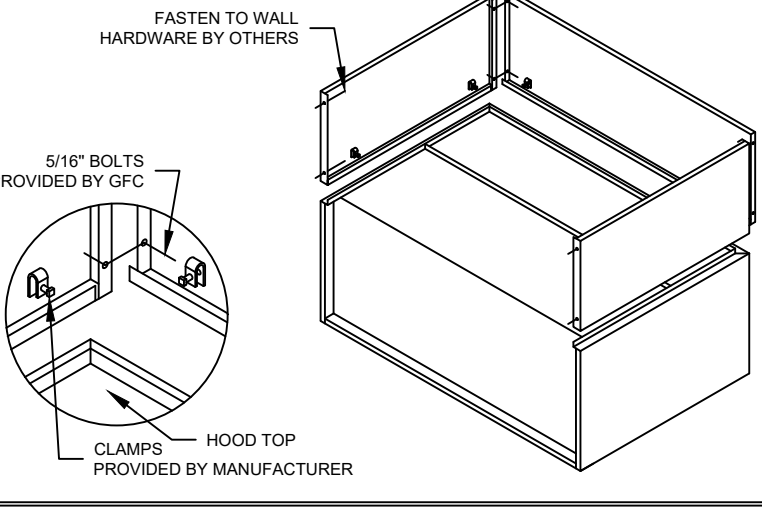


MUST USE WITH MAGIKITCH'N MODEL MKG-C-60



60" MAGIKITCH'N GRIDDLE FLUE ADAPTER

ENCLOSURE PANEL INSTALLATION DETAIL



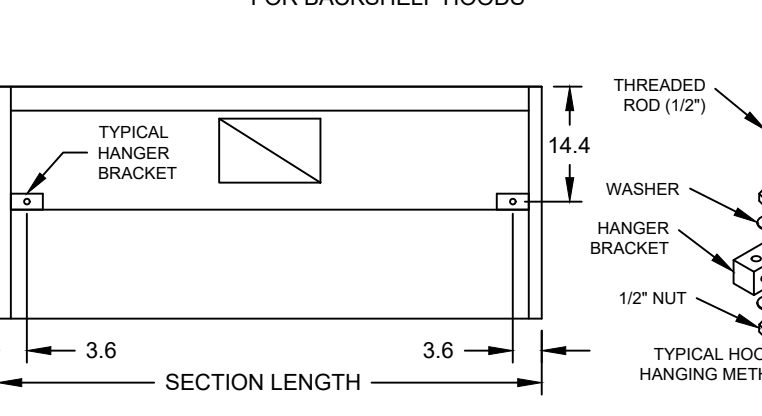
HOOD HANGING HEIGHT FOR FIRE SYSTEMS

VERIFICATION OF HOOD HANGING HEIGHT ABOVE FINISHED FLOOR (A.F.F.) IS REQUIRED FOR CORRECT PLACEMENT OF FIRE SYSTEM NOZZLES.

RECOMMENDED HANGING HEIGHT = 60" FROM FINISHED FLOOR TO LOWER FRONT EDGE OF HOOD.

OTHER HANGING HEIGHT = \_\_\_\_\_ FROM FINISHED FLOOR TO LOWER EDGE OF HOOD.

HOOD HANGER BRACKET DETAIL FOR BACKSHELF HOODS



GENERAL DRAWING NOTES

Verify building entry conditions or limitations for equipment access to space.

Verify type and height of finished ceiling and if hood(s) may extend above finished ceiling (if required). Seismic installation and bracing of equipment is by others.

Greenheck will not accept liability for problems that result from sub-standard installation. Including field electrical wiring that deviate from supplied diagrams, globe conditions (ductwork, fuel types and structural conditions) that GFC has not been notified of at the time of ordering. Or use of this equipment other than that for which it is designed.

It is the responsibility of the purchaser to hire qualified personnel for installation and start-up of all equipment. Installation and start-up information is shipped with all equipment via the Installation, Operation and Maintenance Manual (IOM), also included is a troubleshooting guide. Have all start-up info available prior to any warranty claims and/or factory technical support.

VENTILATION SYSTEM NOTES

Greenheck ventilators are designed in compliance with all national codes: NFPA # 96, national electric code, BOCA, uniform mechanical code, international mechanical code, and southern building conference. See national evaluation report #436 for allowable values, and/or conditions of use concerning material presented in this document. Local codes may vary. It is the responsibility of the purchaser to submit drawings to local authorities.

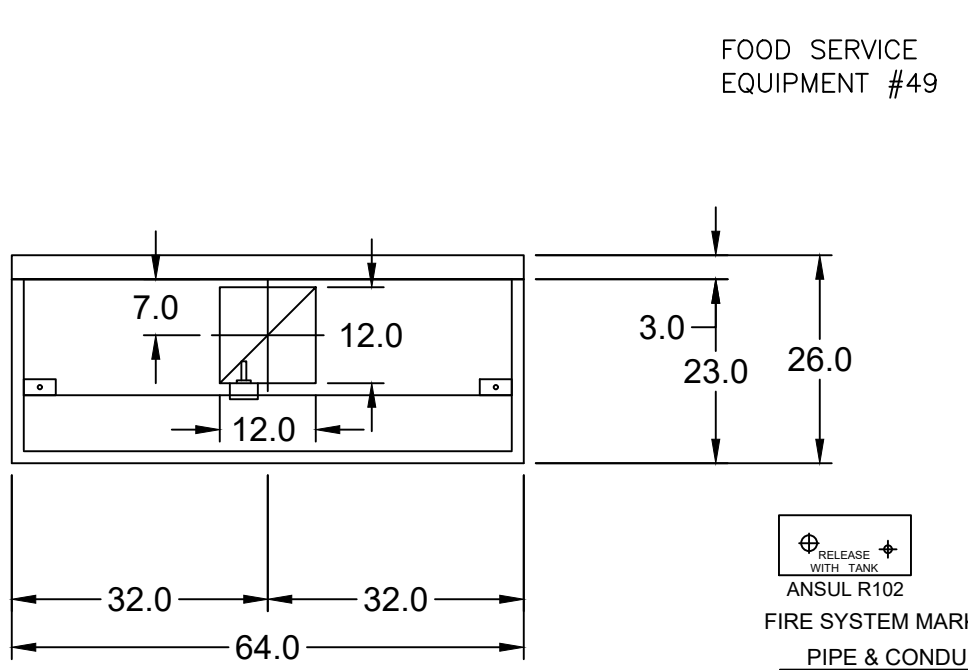
Exhaust and supply air volumes are to be maintained within -5% to +10% tolerance of values indicated. Static pressure(s) indicated are for the ventilator at the duct connection(s) only.

The grease filter face velocities are based on the filter manufacturers recommendations for maximum grease extraction. Inlet opening air velocities for waterwash, dry cartridge and high velocity cartridge filters manufactured by Greenheck are designed to deliver maximum grease extraction.

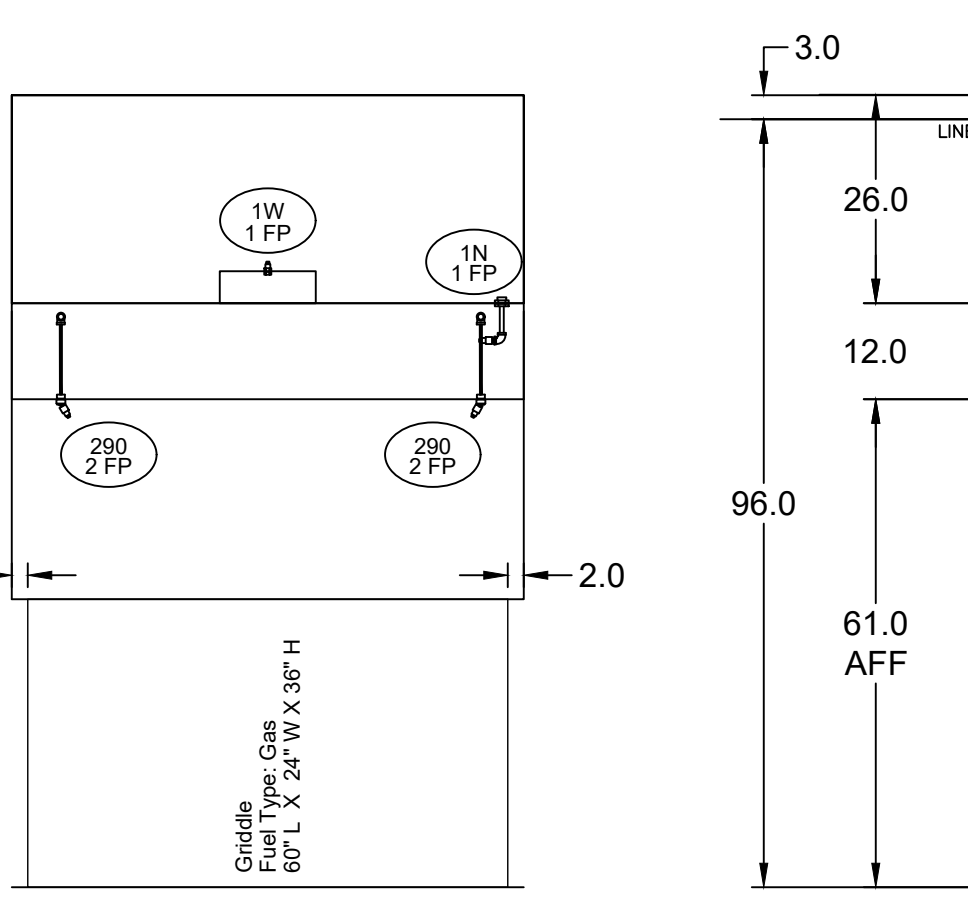
Hoods installation (by others unless otherwise noted) shall be in accordance with NFPA # 96 and applicable building codes.

PROPRIETARY INFORMATION NOTICE

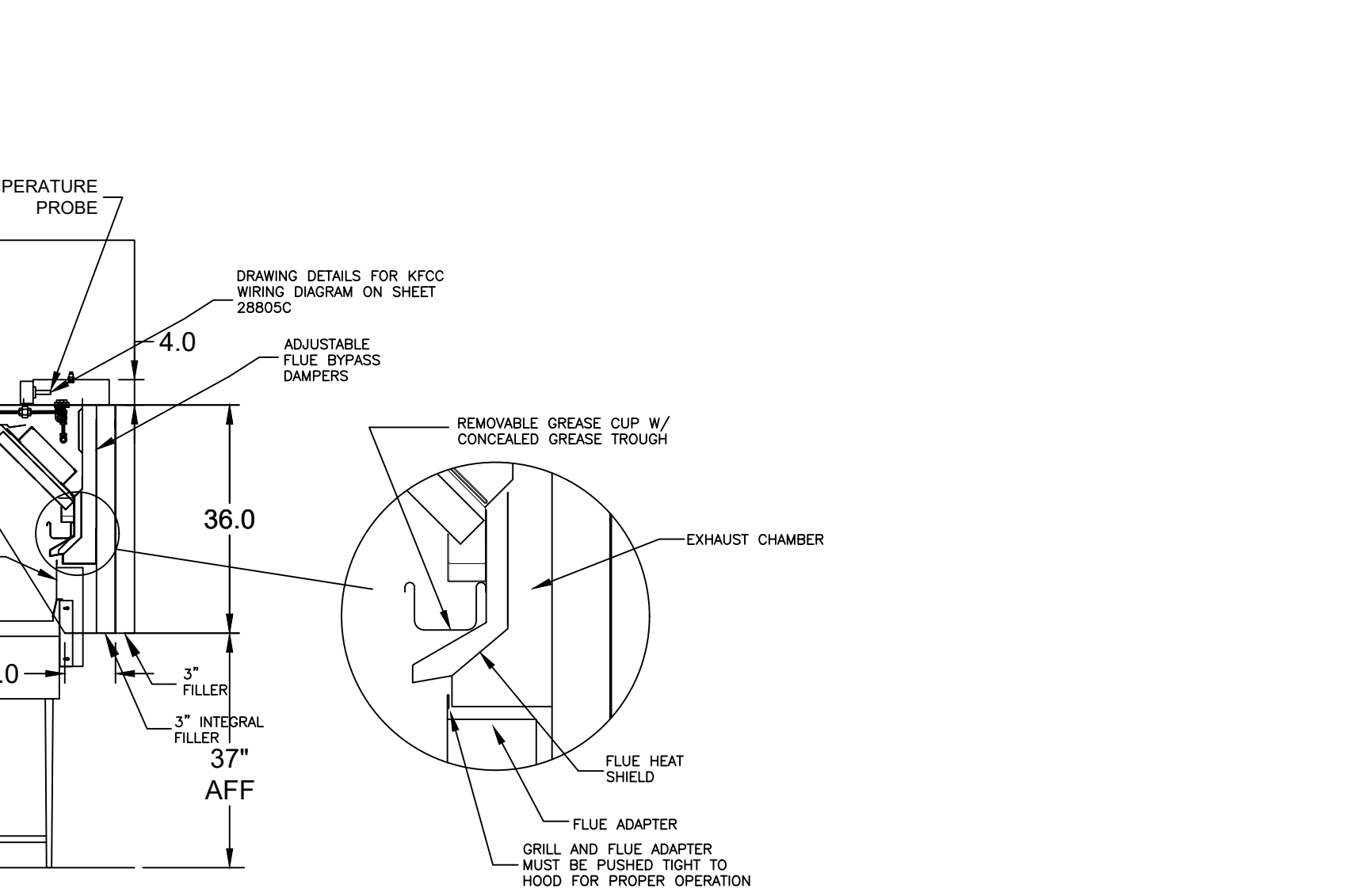
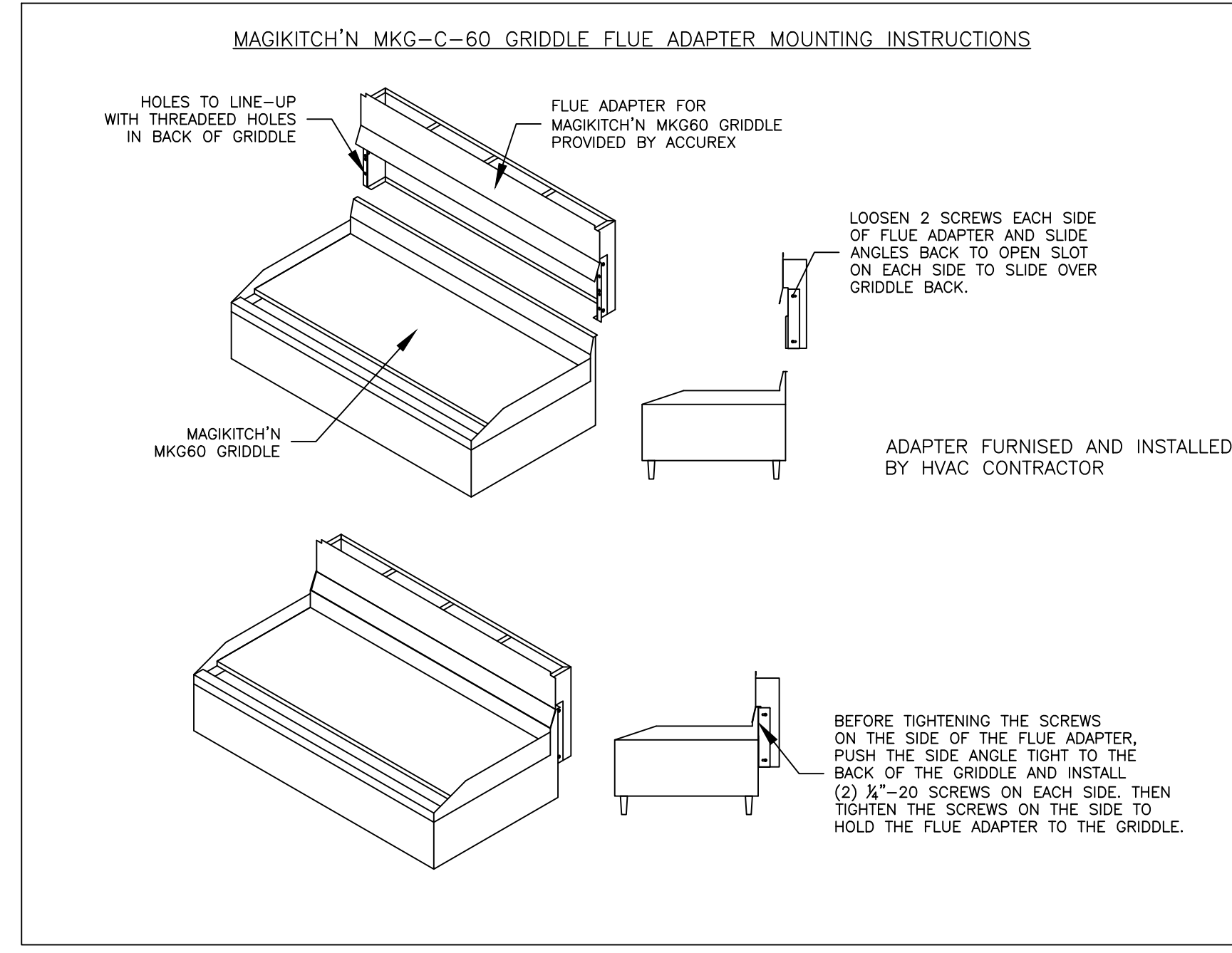
This document is and contains confidential trade secret information of the company and remains property of the company and is to be returned upon request. Neither it nor information it contains may be reproduced or disclosed to persons not having a need-to-know consistent with the purpose of the loan document without written permission.



MARK: ITEM #49 PLAN VIEW

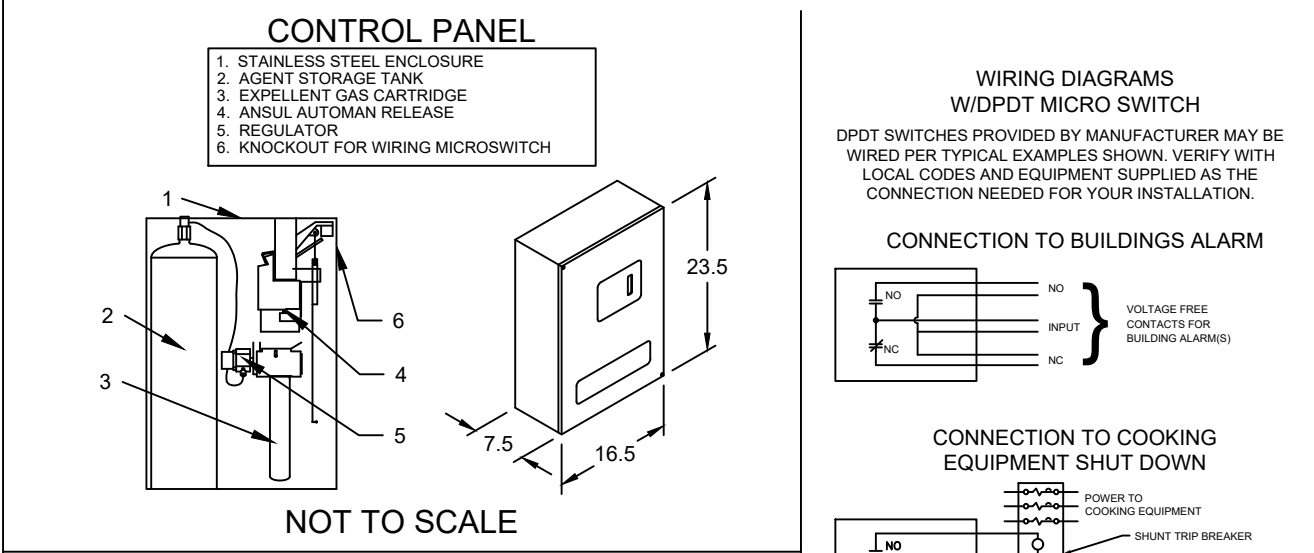


MARK: ITEM #49 ELEVATION VIEW



MARK: ITEM #49 SECTION VIEW

ANSUL R102 (WET CHEMICAL) FIRE PROTECTION SYSTEM - MODEL FSSC



**CONTROL PANEL**

1. STAINLESS STEEL ENCLOSURE
2. AGENT STORAGE TANKS
3. EXPELLENT GAS CARTRIDGE
4. ANSUL AUTOMAN RELEASE
5. REGULATOR
6. KNOCKOUT FOR WIRING MICROSWITCH

**NOTES:**

Wet chemical fire protection system to be Ansul R-102, designed in compliance with UL 300 requirements.

- Verification of all cooking equipment make, model and location required for all fire protection systems.
- All fire system piping is standardly to the right end of the hood unless a wall is located on the right end.
- Anisul Automan Release to be located within 60" of hood.

The basic fire system will include the following:

- Gas shut-off valve, if required, to be supplied by Manufacturer (up to 2" diameter as standard), and installed by a licensed plumber.
- More than two trips to the jobsite or special transportation, or overnight lodging requirements in remote areas. Normal travel distance is first 50 mi. (80.5 km) from office.
- Special classes or additional labor for access to security sensitive areas.
- Installation of gas shut-off valve.
- Special drawings required to satisfy state or local codes. Plan examination fees, PE or FS Approval Stamp.
- Union labor, Government labor, or Prevailing wages required for final field hook-up.
- Any and all electrical components/connections required to shut down fans, shut off device for electric cooking equipment (shunt trip breaker), or activate an alarm system, etc.
- Any dismantling or reassembly required to gain access to the fire suppression piping located on the top of the hood.
- Rough-in hidden conduit for remote pull station or gas valve (flush mounted pull station) located on the top of the hood.
- Installation of more than (1) remote pull stations or distances greater than 20 ft (6.1M).
- Parts or labor required to correct piping due to cooking equipment changes or deviation from plans. OR Any changes for missing or additional parts other than those indicated on the Fire Suppression Detail.

The basic fire system does NOT include the following:

- Full dump test other than what is specified per the installation manual, or to satisfy a state or local code. Permit and testing fees are not included unless noted under the equipment schedule for the fire system.
- More than two trips to the jobsite or special transportation, or overnight lodging requirements in remote areas. Normal travel distance is first 50 mi. (80.5 km) from office.
- Special classes or additional labor for access to security sensitive areas.
- Installation of gas shut-off valve.
- Special drawings required to satisfy state or local codes. Plan examination fees, PE or FS Approval Stamp.
- Union labor, Government labor, or Prevailing wages required for final field hook-up.
- Any and all electrical components/connections required to shut down fans, shut off device for electric cooking equipment (shunt trip breaker), or activate an alarm system, etc.
- Any dismantling or reassembly required to gain access to the fire suppression piping located on the top of the hood.
- Rough-in hidden conduit for remote pull station or gas valve (flush mounted pull station) located on the top of the hood.
- Installation of more than (1) remote pull stations or distances greater than 20 ft (6.1M).
- Parts or labor required to correct piping due to cooking equipment changes or deviation from plans. OR Any changes for missing or additional parts other than those indicated on the Fire Suppression Detail.

**CONNECTION TO BUILDINGS ALARM**

**CONNECTION TO COOKING EQUIPMENT SHUT DOWN**

**CONNECTION TO FAN SHUT DOWN**

DO NOT SHUT DOWN EXHAUST FANS WITH THIS METHOD OF WIRING, IF PROHIBITED BY LOCAL CODES.

Thank you for your interest in Accurex

**SUBMITTAL**

Please return one approved print to your Greenheck Representative including signature, date, and answers to all submittal "verify" notes and questions. Fabrication will not begin until after approved drawings are received.

APPROVED AS SUBMITTED  
 APPROVED AS NOTED  
 REJECTED - REVISE AND RESUBMIT

SIGNATURE \_\_\_\_\_ DATE \_\_\_\_\_

REV DESCRIPTION DATE

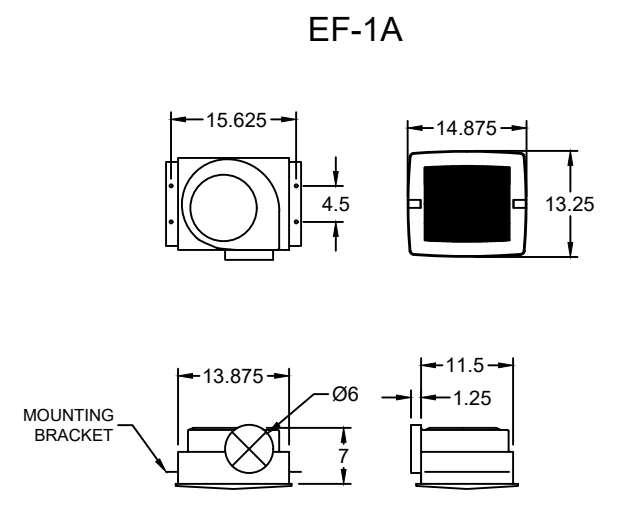
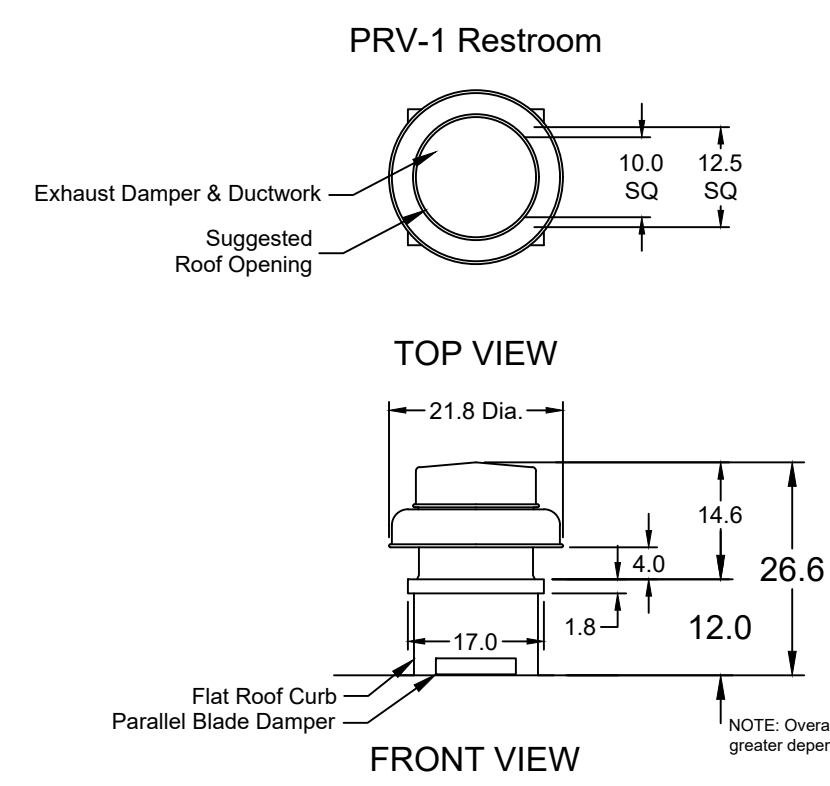
ACCUREX

CULVER'S MASTER TEMPLATE

SCALE 1/24

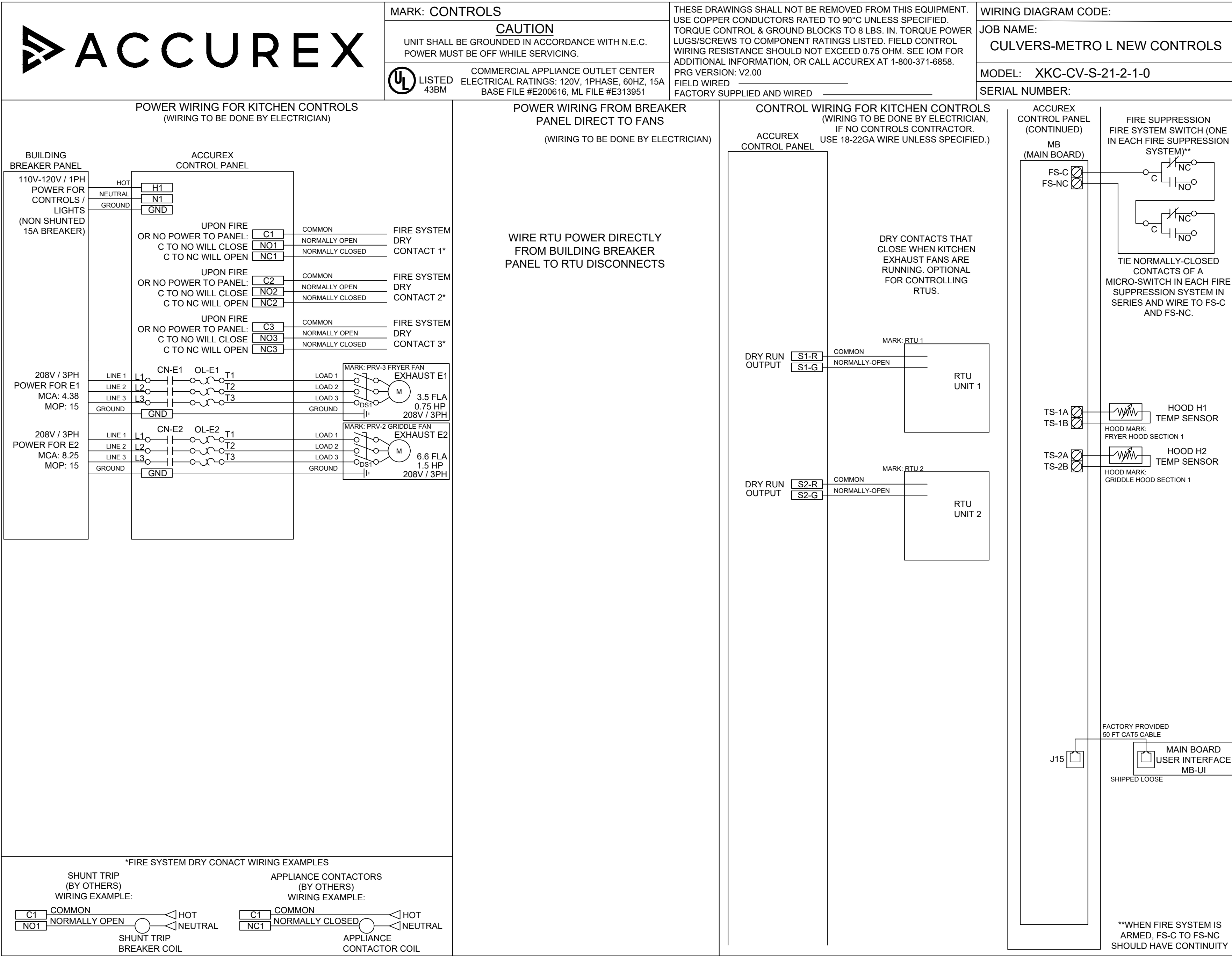
28805A





EQUIPMENT SCHEDULE				
<b>ELECTRICAL CONTROL BOX</b>				
DESCRIPTION / ACCUREX MODEL	EXHAUST FAN QTY	SUPPLY FAN QTY	MARK: KXC	
MOUNTING LOCATION (CONTROL PANEL / SWITCHES)				
KITCHEN FAN CONTROL CENTER / XKC SHIP LOOSE / SHIP LOOSE FOR REMOTE MOUNTING	2	0	60 CYCLE	
CONTROL PANEL ENCLOSURE - 16 GA 304 STAINLESS STEEL ENCLOSURE (NEMA-1) - DIMENSIONS 18 X 20 X 6				
WIRING DIAGRAM # T100-2 - 20				
STARTERS PROVIDED IN CONTROL PANEL - QTY 2				
USER INTERFACE CONTROL - QTY 1				
INTEGRATED EXHAUST TEMPERATURE INTERLOCK SYSTEM				
-FACTORY MOUNTED EXHAUST TEMPERATURE SENSORS - QTY 2				
-COMPLIES WITH INTERNATIONAL MECHANICAL CODE 2006 SECTION 507.2.1.1				
TURN ON EXHAUST IN FIRE				
THERMAL OVERLOADS IN CABINET				
SPECIAL DESIGN REQUESTS				
SDR #K0800240 - USE KIT #852883, WIRING DIAG. #Z2905338				

EQUIPMENT SCHEDULE												
Direct Drive Centrifugal Roof Exhaust Fan												
City	Accurex Model	Volume (CFM)	SP (in wg)	FRPM	Operating Power (hp)	Weight (Lb.)	Size (hp)	V/CP	Encr.	Motor RPM	Windings	FLA
1	XRED-090-VG	375	0.5	1465	0.060	30	0.1	11560/1	OP	1725	1	NA
OPTIONS AND ACCESSORIES												
UL/ULC 705 Listed - "Power Ventilators"												
Switch, NEMA-1, Toggle, Shipped with unit												
Curb Seal (Attached)												
Damper, WD-100-PS-10X10, Gravity Operated (Loose)												
Van-Green electronically commutated motor, speed dial adjustment on motor												
Roof Curb-Galv, GPI-17-10-G12, Undersized 1.5" total												



EQUIPMENT SCHEDULE												
Ceiling Exhaust Fan												
City	Accurex Model	Volume (CFM)	SP (in wg)	FRPM	Operating Power (hp)	Weight (Lb.)	Size (hp)	V/CP	Encr.	Motor RPM	Windings	FLA
	XCR-B80	75	0.125	855	0.01	10	0.0	11560/1	OP	900	1	NA
OPTIONS AND ACCESSORIES												
UL/ULC 705 Listed - Electric fan												
Solid State Speed Control, 6.0 amp, mounted and wired												
Round Hooded Wall cap, (P/N: WC-6) Mounted and Wired												
Designer Grille												
Round duct connection												
Polypropylene Wheel Material												
Energy Star Rated												

**FOR TECHNICAL SUPPORT ON ACCUREX CONTROLS PLEASE CALL ACCUREX TECHNICAL SUPPORT: 1-800-371-6858**

**SECONDARY CONTACTS ARE: AARON VAN KREY 715.841.8521 TYLER SCHILLING 715.841.8749**

Thank you for your interest in Accurex

**SUBMITTAL**

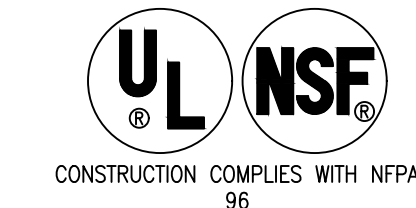
Please return one approved print to your Greenheck Representative including signature, date, and answers to all submittal "verify" notes and questions. Fabrication will not begin until after approved drawings are received.

APPROVED AS SUBMITTED

APPROVED AS NOTED

REJECTED - REVISE AND RESUBMIT

SIGNATURE \_\_\_\_\_ DATE \_\_\_\_\_



REV	DESCRIPTION	DATE

**ACCUREX**

CULVER'S MASTER TEMPLATE

SCALE: 1/24

CAD DRAWING NO. C28805C

**VENTILATION SYSTEM NOTES**

Greenheck ventilators are designed in compliance with all national codes: NFPA # 96, national electric code, BOCA, uniform mechanical code, international mechanical code, and southern building conference. See national evaluation report #436 for allowable values, and/or conditions of use concerning material presented in this document. Local codes may vary. It is the responsibility of the purchaser to submit drawings to local authorities.

Exhaust and supply air volumes are to be maintained within -5% to +10% tolerance of values indicated. Static pressure(s) indicated are for the ventilator at the duct connection(s) only.

The grease filter face velocities are based on the filter manufacturers recommendations for maximum grease extraction. Inlet opening air velocities for waterwash, dry cartridge and high velocity cartridge filters manufactured by Greenheck are designed to deliver maximum grease extraction.

Hoods installation (by others unless otherwise noted) shall be in accordance with NFPA # 96 and applicable building codes.

**PROPRIETARY INFORMATION NOTICE**

This document is and contains confidential trade secret information of the company and remains property of the company and is to be returned upon request. Neither it nor information is contained may be reproduced or disclosed to persons not having a need-to-know consistent with the purpose of the loan document without written permission.

© 2022

NEW CULVER'S RESTAURANT  
4768 South Hodges Boulevard  
Jacksonville, FL 32224  
County of DUVAL

SEAL

OWNER: HODGESLITE3, LLC  
DBA Culver's on Hodges  
E7445 Fairway Court  
Reedsburg, WI 53959  
Don Lichte  
608-933-3113

OLLMANN ASSOCIATES ARCHITECTS, P.C.  
200 South State Street  
Belleville, Illinois 61008  
815-544-7790 Phone  
© OAA. All rights reserved. Any copying, transmission or disclosure subject to OAA written approval.

CONDENSATE HOOD, EXH.,  
FAN SCHEDULE & DETAILS

Revision: \_\_\_\_\_  
Date: 11-18-2022

2022-070

M204