



135 Little Nine Drive  
Morehead City, NC 28557  
Website: [www.ballyrefboxes.com](http://www.ballyrefboxes.com)

E-mail: [salesbs@ballyrefboxes.com](mailto:salesbs@ballyrefboxes.com)  
Tel: 252-240-2829  
800-24BALLY  
Fax: 252-240-0384

May 23, 2023

Reference: Bally Refrigeration Units

To Whom it may concern,

Please find the BHP project data and installation manual attached, on page two you will find the published nomenclature. From time to time, we may have units that have a slight variant from the standard certified prints that originally are proposed. I have verified that the units purchased match the units that were requested. Bally refrigeration units come equipped with generic model number for submittal that will not show the exact same nomenclature (after the voltage, in this case the voltage is T4A) until the units are built. The design criteria and bill of materials will specify what the final product showcase for its nomenclature.

[BHP High Profile Evaporators - Air Defrost - Products Data and Installation \(b-rp.ca\)](#)

Sincerely,

Troy Forguites



Bally Refrigerated Boxes  
135 Little Nine Drive  
Morehead City, NC 28557  
[salestrf@ballyrefboxes.com](mailto:salestrf@ballyrefboxes.com)



BMIL Technologies, LLC.

# BMIL RECORD SUBMITTALS

Date:

To: Tom Roebuck  
TRS  
m: 980.417.2399 | p: 704.529.7800  
834 Tyvola Road, Suite 106, Charlotte, NC 28217  
www.trs-sesco.com

Project Name:

### WE ARE SENDING YOU:

- Submittal
- Certified Prints
- Drawings- Cold Box
- Drawings- Controls
- Drawings- Doors
- Line sizing tables

### THESE ARE SUBMITTED AS CHECKED BELOW:

- For approval
- Sign and return
- Approved as Noted

Approval Signature: \_\_\_\_\_

### Remarks:

Submittal revised with the as-built nomenclature.

From:

Signature: \_\_\_\_\_



**NATIONAL REFRIGERATION AND  
AIR CONDITIONING CANADA CORP.**

159 ROY BLVD, PO BOX 2020  
BRANTFORD, ON  
CANADA N3T 5Y6

**BHP086WA-T4A-SN-X493**

**HIGH PROFILE  
GLYCOL COIL**

PURCHASER : **BMIL TECHNOLOGIES,LLC**

SUBMITTED BY : **Luisa Bise**

PROJECT : **2022 QTE22324 LILLY CHARLOTTE**

DATE : **19 May 2023**

ORDER # : **06481.53784.00055-D00**

ITEM # : **1**

QUOTE # : **Q30IUGTC-D**

ID # :

PURCHASER'S PO # :

TAGGING :

**MODEL FEATURES**

- 7 FPI

**CABINET FINISH**


- Painted White
- Painted Black
- Stainless Steel

**MODEL OPTIONS ( \* = Shipped Loose )**

- Export Crating
- COIL COATING
- E-Coat

**FIN MATERIAL**

- Copper Fins
- 1 Insulated Drain Pan**

<b>VOLTAGE</b>			<b>AIR FLOW</b>			<b>CAPACITY</b>			
<b>460/3/60</b>			<b>CFM</b>			<b>57091 BTUH</b>			
<b>FANS</b>			<b>HEATERS</b>			<b>CIRCUIT TOTAL</b>			
<b>QTY</b>	<b>POWER</b>	<b>FLA/FAN</b>	<b>TYPE</b>	<b>QTY</b>	<b>AMPS</b>	<b>AMPS</b>	<b>WATTS</b>	<b>MCA†</b>	<b>MOP‡</b>
<b>2</b>	<b>1HP</b>	<b>2.4</b>				<b>4.8</b>	<b>2200</b>	<b>5.4</b>	<b>15</b>
<b>DISTRIBUTOR</b>		<b>SOUND</b>	<b>-</b>	<b>REC CAPACITY</b>				<b>APPROVALS</b>	
<b>SUCTION</b>		<b>WEIGHT</b>	<b>700 lb</b>	<b>REF CHARGE</b>				 <b>MEA</b>	
<b>NOTES:</b> † MCA.. Minimum Circuit Ampacity, ‡ MOP.. Maximum Overcurrent Protection									

**APPROVED BY :**

**DATE :**

Approval of this drawing signifies that the equipment is acceptable under the provision of the job specifications. Any change made hereon by any person whomsoever subject to acceptance by NATIONAL REFRIGERATION at its home office.

**NATIONAL REFRIGERATION AND AIR CONDITIONING CANADA CORP.**159 ROY BLVD, PO BOX 2020  
BRANTFORD, ON  
CANADA N3T 5Y6**BHP086WA-T4A-SN-X493****HIGH PROFILE  
GLYCOL COIL**PURCHASER : **BMIL TECHNOLOGIES,LLC**SUBMITTED BY : **Luisa Bise**PROJECT : **2022 QTE22324 LILLY CHARLOTTE**DATE : **19 May 2023**ORDER # : **06481.53784.00055-D00**ITEM # : **1**QUOTE # : **Q30IUGTC-D**

ID # :

PURCHASER'S PO # :

TAGGING :

**ENTERED DESIGN REQUIREMENTS**Site Altitude **700 ft**LineFrequency **60Hz**Fluid Type **PROPYLENE GLYCOL/WATER**Fluid Concentration **30%**Fluid Fouling Factor **0.0005 h.ft<sup>2</sup>.°F/Btu**Fluid Temperature Range **5 °F to 212 °F**Air Inlet Temperature (DB) **41 °F**Air Inlet Temperature (WB) **37.2 °F**Fluid Inlet Temperature **25 °F****GLYCOL** Fluid Flow Rate **12 USGPM**Fluid Outlet Temperature **34 °F**Required Capacity / Unit **51300 BTUH****SELECTED MODEL DETAILS**Fan Configuration **1 x 2**Tubes **144****Voltage 460/3/60**Tube Configuration **1/2 x 1.25 x 1.083 in**Motor **Standard**Tube Rows **4**Fin Style **0.0075 in Aluminum Sine Wave**Tubes Per Row **36**Fins Per Inch **7**Fin Block Dimensions **80 x 45 x 4 21/64 in**Air Flow Direction **N.A.****Air Flow 14849 CFM****CALCULATED DETAILS**Feeds **9**Tubes Per Feed **16**Face Area **25 ft<sup>2</sup>**Blank Tubes **0**Internal Volume **1.4 ft<sup>3</sup>**Connection Size **1 1/8 in Same End**Model Capacity **57091 BTUH****Calculated Fluid Flow Rate 12 USGPM**Capacity Variance **+11.3 %**Fluid Velocity **2.3 ft/s**Actual Fluid Outlet Temperature **35.1 °F**Fluid Pressure Drop **6.4 psi**Air Outlet Temperature **37.5 °F**Actual Air ΔT **3.5 °F****THE VALUES CONTAINED HERIN ARE BASED ON LABORATORY FINDINGS  
AND THE INITIAL CONDITIONS ENTERED BY THE USER.****INFORMATION IS GIVEN GRATIS AND THE MANUFACTURER ASSUMES NO  
OBLIGATION OR LIABILITY FOR ACTUAL RESULTS OBTAINED.**

Approval of this drawing signifies that the equipment is acceptable under the provision of the job specifications. Any change made hereon by any person whomsoever subject to acceptance by NATIONAL REFRIGERATION at its home office.



**NATIONAL REFRIGERATION AND  
AIR CONDITIONING CANADA CORP.**

159 ROY BLVD, PO BOX 2020  
BRANTFORD, ON  
CANADA N3T 5Y6

Order Item No: 1  
**BHP086WA-T4A-SN-X493**

**HIGH PROFILE  
GLYCOL COIL**

NATIONAL REFRIGERATION will furnish equipment in accordance with this drawing and specifications, and subject to its published warranty. Approval of this drawing signifies that the equipment is acceptable under the provision of the job specifications. Any change made hereon by any person whomsoever subject to acceptance by NATIONAL REFRIGERATION at its home office.

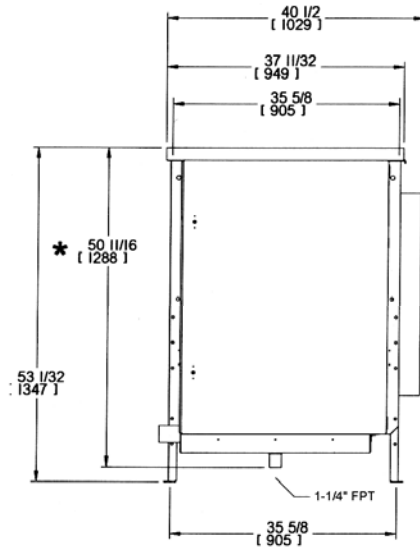
DATE : **19 May 2023**  
PURCHASER : **BMIL TECHNOLOGIES,LLC**  
PROJECT : **B22324 LILLY CHARLOTTE**  
SUBMITTED BY : **Luisa Bise**

Dimensions shown are for standard unit less options.

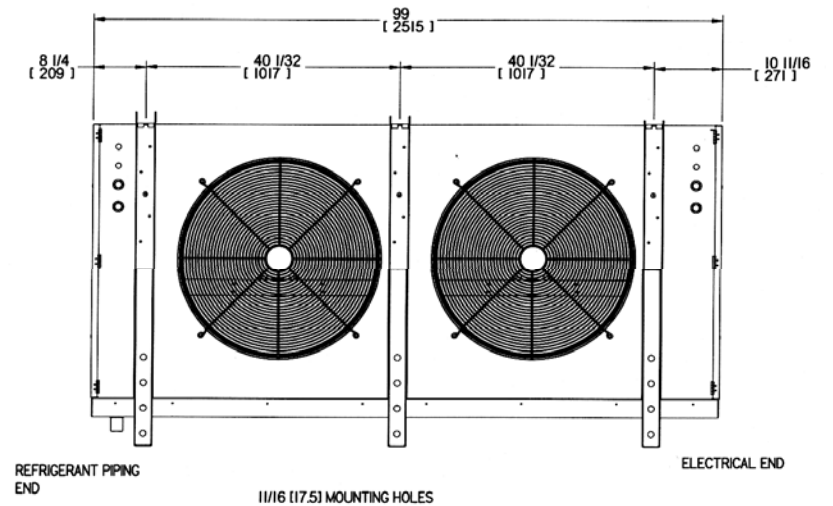
DIMENSIONS	
DIMENSION A	
DIMENSION B	
DIMENSION C	
DIMENSION D	
DIMENSION E	
DIMENSION F	
DIMENSION G	
DIMENSION H	

CONNECTIONS	
DISTRIBUTOR	
SUCTION	
DRAIN	
WATER	
DISCHARGE	
PAN LOOP	
HOT GAS SIDE PORT	
HOT GAS INLET	
HOT GAS OUTLET	
OTHER	
SHIPPING WEIGHT	700 lb
REFRIGERANT CHARGE	
RECEIVER CAPACITY	

APPROVALS			



\* Allow up to an additional 1-1/2" for hot gas loop option.



NOTES: