

**HVAC KEY NOTES**

- 1 PROVIDE NEW ELECTRIC COOLING GAS HEATING ROOFTOP UNIT WITH PRE-FABRICATED, MINIMUM 14" INCH INSULATED ROOF CURB. MAINTAIN MINIMUM HEIGHT OF 8 INCHES FROM ROOF SURFACE. REFER TO HVAC SCHEDULE ON SHEET M3.1. FIELD VERIFY AND COORDINATE WITH STRUCTURAL AND ALL LOCAL AND STATE REQUIREMENTS PRIOR TO BID AND CONSTRUCTION.
- 2 FIELD VERIFY EXHAUST AIR MAINTAINS A 10 FOOT MINIMUM CLEARANCE FROM ANY FRESH AIR INTAKE AND COMPLIES WITH ALL CODE REQUIREMENTS.
- 3 MECHANICAL CONTRACTOR TO ADJUST PATTERN DEFLECTORS TO THROW STRAIGHT DOWN.
- 4 PROVIDE NEW AIR DEVICE. MAXIMUM LENGTH OF FLEXIBLE DUCT RUN-OUT IS 4 FEET. NO EXCEPTIONS. FIELD VERIFY & COORDINATE LOCATIONS PRIOR TO BID & CONSTRUCTION. REBALANCE AIR QUANTITY AS SHOWN ON PLAN. PROVIDE WITH MANUAL VOLUME DAMPERS WITH ACCESSIBILITY. ANY DEFICIENCIES AND/OR DISCREPANCIES SHALL BE REPORTED TO ARCHITECT/ENGINEER IMMEDIATELY.
- 5 EXISTING EXHAUST FAN TO REMAIN.
- 6 EXISTING ROOFTOP HVAC UNIT TO REMAIN. MECHANICAL CONTRACTOR TO CLEAN AND ADJUST UNIT, CHEMICALLY CLEAN COILS, PERFORM AN OIL SAMPLE TEST ON COMPRESSORS TO VERIFY CONDITION, REPLACE BELTS, VERIFY ALL CONTROLS ARE FUNCTIONAL AND MAKE SURE ALL EQUIPMENT IS IN PROPER OPERATING CONDITION. REPLACE ANY DEFECTIVE PARTS OR EQUIPMENT, GREASE AND/OR REPLACE IF REQUIRED, FAN BEARINGS, CHECK SHAFT FOR SCORING AND CHECK MOTORS FOR PROPER AMPERAGE DRAW. CLEAN OR REPLACE CONDENSATE DRAIN LINE AS REQUIRED. REBALANCE CFM AS SHOWN ON PLANS, RTU SCHEDULE & KITTING/REWORKING PRESSURIZATION SCHEDULE. FURNISH UNIT WITH THREE SETS OF STANDARD FILTERS. CONTRACTOR TO REPLACE FILTERS JUST PRIOR TO AIR BALANCE AND ONCE AGAIN AFTER FINAL STORE CLEANING IS COMPLETE. REFER TO ROOFTOP UNIT SCHEDULE SHEET M3.1 FOR FURTHER INFORMATION AND ADDITIONAL REQUIREMENTS. REPORT IN WRITING ANY PROBLEMS WHICH WOULD REQUIRE REPLACEMENT OF ROOFTOP UNIT INSTEAD OF REUSE TO THE TENANT'S CONSTRUCTION MANAGER. FIELD VERIFY EXACT LOCATION AND LOCATION PRIOR TO BID.
- 7 STRONG SYSTEMS SHALL SUPPLY AND INSTALL CO2 SENSOR ANALOG AX60. SENSOR SHALL BE MOUNTED AT 12" AFF WITH SPLASH GUARD AND CAGE. ELECTRICAL CONTRACTOR TO PROVIDE SINGLE-GANG J-BOX WITH 1/2" CONDUIT EXTENDED TO ABOVE ACCESSIBLE CEILING SPACE. INSTALL PER MANUFACTURERS RECOMMENDATIONS AND PER LOCAL CODE REQUIREMENTS. FIELD VERIFY EXACT LOCATION AND ALL REQUIREMENTS PRIOR TO BID AND CONSTRUCTION. FOR MORE INFORMATION CONTACT STRONG SYSTEMS INTERNATIONAL, INC. CHRIS VERCH (770) 729-1199 OR (770) 462-2501.
- 8 STRONG SYSTEMS SHALL SUPPLY AND INSTALL CO2 ANNUNCIATOR MOUNTED AT 60" AFF. ELECTRICAL CONTRACTOR TO PROVIDE SINGLE-GANG J-BOX WITH 1/2" CONDUIT EXTENDED TO ABOVE ACCESSIBLE CEILING SPACE. INSTALL PER MANUFACTURERS RECOMMENDATIONS AND PER LOCAL CODE. FIELD VERIFY EXACT LOCATION AND ALL REQUIREMENTS PRIOR TO BID AND CONSTRUCTION. FOR MORE INFORMATION CONTACT STRONG SYSTEMS INTERNATIONAL, INC. CHRIS VERCH (770) 729-1199 OR (770) 462-2501.
- 9 STRONG SYSTEMS SHALL SUPPLY AND INSTALL CO2 CENTRAL CONTROL UNIT MOUNTED AT 48" AFF. ELECTRICAL CONTRACTOR TO PROVIDE SINGLE-GANG J-BOX WITH 1/2" CONDUIT EXTENDED TO ABOVE ACCESSIBLE CEILING SPACE. INSTALL PER MANUFACTURERS RECOMMENDATIONS AND PER LOCAL CODE. FIELD VERIFY EXACT LOCATION AND ALL REQUIREMENTS PRIOR TO BID AND CONSTRUCTION. COORDINATE WITH ELECTRICAL DRAWING E22 FOR EXACT LOCATION. FOR MORE INFORMATION CONTACT STRONG SYSTEMS INTERNATIONAL, INC. CHRIS VERCH (770) 729-1199 OR (770) 462-2501.
- 10 CONTRACTOR TO INSTALL OVERFLOW SWITCH INSIDE ROOFTOP UNIT DRAIN PAN ON DOWN-FLOW UNITS AND ALL OTHER COILS THAT DO NOT HAVE A SECONDARY DRAIN AND DO NOT HAVE A MEANS TO INSTALL AN AUXILIARY DRAIN PAN. A WATER-LEVEL MONITORING DEVICE SHALL BE INSTALLED INSIDE THE PRIMARY DRAIN PAN. THIS DEVICE SHALL SHUT OFF THE EQUIPMENT SERVED IN THE EVENT THAT THE PRIMARY DRAIN BECOMES RESTRICTED. EXTERNALLY INSTALLED DEVICES AND DEVICES INSTALLED IN THE DRAIN LINE SHALL NOT BE PERMITTED.
- 11 NEW MANUAL PULL STATION SHALL BE LOCATED 10 FEET MINIMUM TO 20 FEET MAXIMUM FROM HOOD, ONE AT OR NEAR EVERY POINT OF EGRESS FROM THE HOOD COOKING AREA. PULL STATION SHALL BE SECURELY MOUNTED NOT LESS THAN 42" (INCHES) OR MORE THAN 48" (INCHES) FROM THE FLOOR. PROVIDE SIGNAGE FOR PULL STATION.
- 12 PROVIDE A LENNOX FACTORY INSTALLED RETURN AND SUPPLY SIDE SMOKE DETECTOR. REFER TO SCHEDULE ON SHEET M3.1 AND LENNOX SMOKE DETECTOR AND ANNUNCIATOR WIRING DIAGRAM ON SHEET M4.2. SEE ADDED BOXED NOTE SHEET M3.1 HVAC SCHEDULE REGARDING SUPPLY SIDE SMOKE DETECTOR.
- 13 BRANCH TAKE-OFFS ARE NOT TO BE LOCATED CLOSER THAN 3'-0" FROM ANY ELBOW INCLUDING THE SUPPLY AIR DROP FROM CURB.
- 14 R/A DUCT DROP TO BE FULL SIZE OF CURB CONNECTION. PROVIDE PLENUM BOX ABOVE CEILING AS SHOWN ON PLAN.
- 15 SEE ELEVATION ON M2.1 FOR CJ FAN DUCTING REQUIREMENTS.

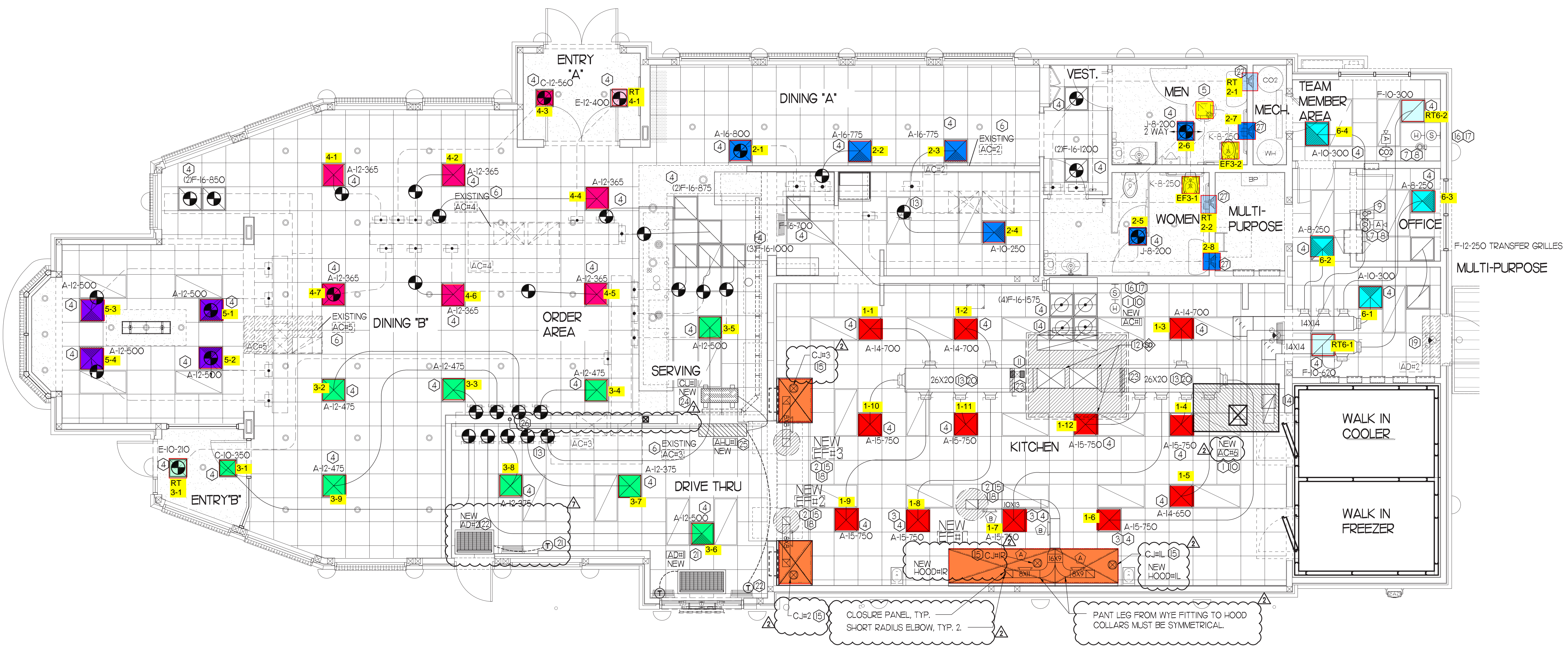
- 16 MOUNT NEW LENNOX HUMIDITY SENSOR ON WALL ABOVE SPACE TEMP SENSOR AND ROUTE WIRING TO UNIT ON ROOF.
- 17 MOUNT NEW REMOTE TEMPERATURE SENSOR ON WALL AT 5'-0" AFF AND ROUTE WIRING BACK TO SUNCOAST TEMP CONTROL PANEL FOR SENSOR SERVING KITCHEN ACH. 5'-8" AFF. COORDINATE EXACT LOCATION WITH KITCHEN EQUIPMENT TO BID AND CONSTRUCTION.
- 18 PROVIDE NEW FAN WITH NEW CURB AT LOCATION SHOWN ON PLAN. LOCATE A MINIMUM OF 10 FT FROM PARAPET WALLS IF PARAPET IS LOWER THAN 42" FROM ANY NEW OR EXISTING OUTSIDE AIR INTAKE. COORDINATE EXACT LOCATION IN FIELD WITH EXISTING EQUIPMENT AND PIPING. SEE DETAIL ON M4.1 FOR ORIENTATION OF HINGE SIDE OF FAN ON CURB.
- 19 EXISTING AIR CURTAIN TO BE RELOCATED AS SHOWN ON PLAN. FIELD VERIFY EXACT REQUIREMENTS PRIOR TO BID.
- 20 20X26 VERTICAL DROP. PROVIDE TURNING VANES IN ELBOW. ELBOW TO BE PARTIALLY LOCATED WITHIN STRUCTURE. BOTTOM OF ELBOW TO BE AT SAME ELEVATION AS BOTTOM OF 26X20 SUPPLY MAIN. 26X20 SUPPLY MAIN TO BE LOCATED ENTIRELY BELOW JOISTS. HOLD 26X20 SUPPLY MAIN AS HIGH AS POSSIBLE DUE TO LIMITED CLEARANCE.
- 21 AIR CURTAIN, MOUNTED IN CEILING GRID + 14" OFF THE EXTERIOR WALL. MECHANICAL CONTRACTOR SHALL ADJUST AIR DEFLECTORS TOWARD BOTTOM OF TORMAX DOOR OPENING.
- 22 LOCATE AHU TSTAT AT 5'-0" AFF. COORDINATE EXACT LOCATION WITH OTHER TRADES. ROUTE WIRING BACK TO ADH AT CEILING.
- 23 PROVIDE RUSKIN CD35 MANUAL BALANCING DAMPER WITH 6" MAXIMUM BLADE WIDTH, OPPOSED BLADE ACTION, LOOKING QUADRANT HANDLE WITH 2" STANDOFF AND 16 GA GALVANIZED BLADE AND FRAME CONSTRUCTION.
- 24 SET CONDENSING UNIT ON ROOF USING TWO CURBS PLUS CPES-1 EQUIPMENT CURBS. SECURE CONDENSING UNIT TO CURBS ARRANGED IN PARALLEL. SET LONG SIDE OF CURB PARALLEL TO ROOF SLOPE FLASH INTO ROOF BY GC. FINAL LOCATION TO BE DETERMINED IN THE FIELD. ALL MAINTENANCE CLEARANCE OF NEW AND EXISTING EQUIPMENT SHALL BE MAINTAINED.
- 25 LOCATE AHU IN MOUNTED 7'-0" AFF TO BOTTOM OF UNIT. ROUTE REFRIGERANT PIPING ABOVE CEILING AND LP THRU ROOF TO CONDENSING UNIT. REFER TO M3.1 FOR MORE INFORMATION.
- 26 RUN 3/4" (PVC) CONDENSATE LINE ON WALL DOWN TO DRAIN.
- 27 EXISTING AIR DEVICE TO REMAIN.

**HVAC GENERAL NOTES**

1. DUCT SIZES SERVING DIFFUSERS AND GRILLES ARE SAME SIZE AS DIFFUSER OR GRILLE NECK UNLESS NOTED OTHERWISE.
2. MECHANICAL CONTRACTOR SHALL BALANCE HVAC SYSTEM AS SHOWN ON THE PLAN & RTU SCHEDULE ON SHEET M-3.1. IF AIR FLOWS DIFFER BY MORE THAN 5%, CONTACT OFA CONSTRUCTION MANAGER.
3. NO PIPING OR DUCTWORK ALLOWED ABOVE ANY ELECTRICAL/CONTROL PANELS.
4. COORDINATE NEW WORK WITH EXISTING CONDUITS, STRUCTURE, & PIPING. FIELD VERIFY EXISTING CONDITIONS PRIOR TO COMMENCING WORK. CONTRACTOR TO NOTIFY DESIGN TEAM WITHOUT DELAY IF ACTUAL LOCATION OF EXISTING MECHANICAL EQUIPMENT DOES NOT MATCH FLOOR PLAN.
5. CONTRACTOR SHALL CLEAN & REFINISH ALL EXISTING DUCTWORK. PATCH & REPAIR OPENING AIR TIGHT OF EXISTING DUCTWORK AS REQUIRED (TYPICAL ALL). FIELD VERIFY AND COORDINATE ALL EXISTING HVAC SIZES, LOCATIONS, AND CONDITION PRIOR TO BID.
6. REUSE AND REWORK EXISTING HVAC DUCTWORK. PROVIDE NEW SECTION FOR RECONNECTION AS REQUIRED. FIELD VERIFY ALL REQUIREMENTS PRIOR TO BID.
7. CONTRACTOR SHALL BALANCE, INSPECT, REPAIR, OR REPLACE AS NECESSARY IF REQUIRED FOR EXISTING CEILING MOUNTED AIR DEVICES TO REMAIN. FIELD VERIFY AND COORDINATE EXACT SIZE, AIR QUANTITY, LOCATION, AND CONDITION PRIOR TO BID. AIR FLOW SHALL REMAIN AS IS UNLESS NOTED ON PLAN, OR DIRECTED BY CONSTRUCTION MANAGER. ANY DEFICIENCIES AND/OR DISCREPANCIES SHALL BE REPORTED TO ARCHITECT/ENGINEER IMMEDIATELY. COORDINATE AIR BALANCE RESULTS WITH CONSTRUCTION MANAGER.

**NOTE:**  
ALL NEW HOODS SHALL BE RATED WITH ONE INCH THICK LAYER OF FACTORY INSTALLED INSULATION TO MEET ZERO INCH CLEARANCE TO COMBUSTIBLE MATERIALS. HOOD SHALL BE CERTIFIED BY ETL SPECIFICATIONS, AND SHALL CONFORM TO UL STANDARD 710, BUILT PER NFPA 96 SECTION 4.2.2, AND NSF LISTED.

**NOTE:** IF BALANCING DAMPERS ARE NOT EXISTING IN THE BRANCH DUCT OR AT THE TAKE-OFF MECHANICAL CONTRACTOR SHALL SUPPLY AND INSTALL NEW BALANCING DAMPERS WITHIN THE BRANCH DUCT (TYPICAL).



**MECHANICAL FLOOR PLAN**  
1/4" = 1'-0"  
PROJECT NORTH TRUE NORTH



**Chick-fil-A**  
5200 Buffington Road  
Atlanta, Georgia  
30349-2998

**INTERPLAN**  
INTERPLAN LLC

ARCHITECTURE  
ENGINEERING  
PERMITTING

220 E. CENTRAL PKWY., STE 4000  
ALAMONTE SPRINGS, FL 32701  
407.645.5038

SEALED  
STATE OF SOUTH CAROLINA  
REGISTERED ARCHITECT  
No. 34876  
TREVOR HEDRICK

CORPORATE SEAL  
STATE OF SOUTH CAROLINA  
INTERPLAN, LLC  
ORLANDO, FL 01060  
REGISTERED ARCHITECT

STATE OF SOUTH CAROLINA  
REGISTERED ARCHITECT  
No. 02293  
INTERPLAN, LLC  
STATE OF ALABAMA

**CHICK-FIL-A**  
**CAROLINA FOREST**  
85 Rodeo Dr  
Myrtle Beach  
SC 29579

**FSU#01762**  
BUILDING TYPE / SIZE: S04-152  
RELEASE: 22.05

**CONSTRUCTION**

REVISION SCHEDULE		
NO.	DATE	DESCRIPTION
1	09/13	INITIAL COORDINATION
2	09/20	CONSTRUCTION UPDATES

CONSULTANT PROJECT # 2020.0330  
DATE November 2022  
DRAWN BY AM  
CHECKED BY DAK  
Information contained on this drawing and all digital files produced for above named project may not be reproduced in any manner without express written or verbal consent from authorized project representatives.  
SHEET  
MECHANICAL FLOOR PLAN

SHEET NUMBER  
**M1.1**



### GAS FIRED ROOFTOP UNIT SCHEDULE

MARK	TONNAGE	AREA SERVED	COOLING CAPACITY (MBH)		HEATING CAPACITY (MBH)		FAN SECTION (CFM)			EXISTING MANUFACTURER/ MODEL	NEW MANUFACTURER/ MODEL	ARI RATINGS	PERCENTAGE OF OUTDOOR AIR	ELECTRICAL DATA		REMARKS	APPROX. NET WEIGHT INCLUDING OPTIONS
			TOTAL	SENS	INPUT	OUTPUT	STAGES	SUPPLY	O.A.					HP	ESP		
NEW AC1	25.0	KITCHEN	294.5	226.6	460.0	394.0	2	8,750	1,750	10	10	10	10	10	10	134.5/7.8/9.0/10.2/14	297 LBS
EXISTING AC2	8.5	DINING A	-	-	-	-	-	3,150	750	-	-	-	-	-	-	23.8/ 208/260	-
EXISTING AC3	10.0	S. DINING B	-	-	-	-	-	4,000	1,000	-	-	-	-	-	-	25.0/ 208/260	-
EXISTING AC4	7.5	N. DINING B	-	-	-	-	-	2,750	600	-	-	-	-	-	-	21.8/ 208/260	-
EXISTING AC5	5.0	W. DINING B	-	-	-	-	-	2,000	300	-	-	-	-	-	-	15.0/ 208/260	-
NEW AC6	3.0	MULTI-PURPOSE	35.8	27.6	65.0	52.0	1	1,000	190	0.5	0.65	-	-	-	23.4/7.8/9.0/10.2/14/5	796 LBS	

ALL NEW ROOFTOP UNITS SHALL INCLUDE A HUMIDITROL OPTION WITH FACTORY WALL MOUNTED HUMIDITY SENSOR.

- PROVIDE DIFFERENTIAL ENTHALPY ECONOMIZER WITH POWER EXHAUST.
- PROVIDE NEW 14" HIGH ROOF CURB.
- SEE DETAIL M42 FOR SETTINGS OF PRODDIGY M3 AND M-8 MC BOARD CONTROLS/LECTO PARAMETERS BY MC.
- PROVIDE FACTORY INSTALLED AND UNIT POWERED 15V GFI SERVICE OUTLET.
- PROVIDE FACTORY INSTALLED RETURN AND SUPPLY SIDE SMOKE DETECTOR.
- PROVIDE FACTORY INSTALLED NON-FUSED DISCONNECT.
- PROVIDE 2" MERV 8 THROW AWAY FILTERS.
- PROVIDE HINGED PANELS FOR FILTER ACCESS, FAN MOTOR ACCESS, COMPRESSOR ACCESS AND CONTROL COMPARTMENT ACCESS.
- ADJUST GAS MANIFOLD PRESSURE AT LOCATIONS WHERE ELEVATION EXCEEDS 2000' ABOVE SEA LEVEL AS RECOMMENDED BY MANUFACTURER.
- PROVIDE FACTORY COIL HAL GUARD, FIELD INSTALLED.
- PROVIDE UNIT WITH HEAVY BLOWER.
- PROVIDE HUMIDITROL OPTION WITH FACTORY WALL MOUNTED HUMIDITY SENSOR (STATES OF CA AND AZ EXCLUDED).
- PROVIDE FACTORY INSTALLED BELT TENSIONER.
- EXISTING UNIT TO REMAIN.

- CONTRACTOR SHALL VERIFY EXACT ELECTRICAL CONNECTIONS, WIRE SIZES, BREAKERS, DISCONNECT, ETC. FOR THE NEW ROOFTOP UNITS PRIOR TO ORDERING AND BID.
- TEST AND BALANCE REPORT SHALL BE DONE PRIOR TO STORE TURNOVER AND SUBMITTED TO CFA'S CONSTRUCTION MANAGER AND TO ENGINEER OF RECORD.
- NEW HVAC EQUIPMENTS SHALL BE INSTALLED IN ACCORDANCE WITH THE MANUFACTURER'S INSTALLATION INSTRUCTIONS INCLUDING CLEARANCES, E SHALL MEET ALL LOCAL AND STATE CODE REQUIREMENTS. INSTRUCTIONS SHALL BE ON SITE AND AVAILABLE FOR ALL INSPECTIONS, SERVICE, REPAIR, OR REPLACEMENT.
- NEW ROOFTOP UNITS ONLY, MECHANICAL CONTRACTOR SHALL RELOCATE THE FACTORY INSTALLED SUPPLY SIDE SMOKE DETECTOR FROM THE BLOWER SECTION TO THE SUPPLY DUCT DROP ABOVE THE FIRST 90 DEGREE DUCT FITTING.
- NEW ROOFTOP UNITS ONLY, THE MECHANICAL CONTRACTOR SHALL SPLICE NEW PLENUM RATED CABLE BETWEEN THE FACTORY SMOKE DETECTOR AND THE FACTORY JACK PLUS. THE NEW WIRING SHALL BE ROUTED THRU THE ROOFTOP UNIT BASE/PAN RACEWAY. SPLICES SHALL BE JOINED WITH CRIMP ON FITTINGS AND HEAT SHRINK JACKETS.

### OUTDOOR AIR CALCULATION

ROOM NUMBER & NAME	AREA SQ. FT.	NO. OF PEOPLE	REQD OA CFM/PERSON	REQD OA CFM/SQ FT.	TOTAL OSA	REQD EXHAUST AIR PER FIXTURE	REQD OSA AC-1	REQD OSA AC-2	REQD OSA AC-3	REQD OSA AC-4	REQD OSA AC-5	REQD OSA AC-6
KITCHEN	1293	8	7.50	0.18	292.7							
RR VESTIBULE	58	0	5.00	0.06	3.5			3.5				
MENS RR	94	0	0.00	0.00	0.0	50/70		0				
WOMENS RR	107	0	0.00	0.00	0.0	50/70		0				
DINING A	276	16	7.50	0.18	169.7			169.7				
MECH / ELECT	24	0	5.00	0.06	1.4			1.4				
MULTI-PURPOSE 2	47	0	5.00	0.06	2.8			2.8				
DRIVE THRU	323	4	7.50	0.18	88.1				88.1			
SERVING AREA	223	4	7.50	0.18	70.1				70.1			
ORDER AREA	238	0	5.00	0.06	14.3				10.0	4.3		
ENTRY 'B'	51	0	5.00	0.06	3.1				3.1			
S. DINING B	496	40	7.50	0.18	389.3				260.0	129.3		
N. DINING B	284	18	7.50	0.18	186.1					186.1		
ENTRY 'A'	70	0	5.00	0.06	4.2					4.2		
W. DINING B	253	19	7.50	0.18	188.0						188.0	
OFFICE	55	1	5.00	0.06	8.3							8.3
MULTI-PURPOSE	152	0	5.00	0.06	9.1							9.1
STAFF AREA	84	2	5.00	0.06	15.0							15.0
<b>TOTALS</b>					<b>TOTAL OUTSIDE AIR</b>	<b>100/140</b>	<b>292.70</b>	<b>177.40</b>	<b>171.30</b>	<b>190.30</b>	<b>188.00</b>	<b>32.40</b>
					<b>ZONE EFFECTIVENESS</b>		<b>0.8</b>	<b>0.8</b>	<b>0.8</b>	<b>0.8</b>	<b>0.8</b>	<b>0.8</b>
					<b>REQUIRED OUTSIDE AIR</b>	<b>100/140</b>	<b>365.88</b>	<b>221.75</b>	<b>214.13</b>	<b>237.88</b>	<b>235.00</b>	<b>40.50</b>
					<b>PROVIDE OUTSIDE AIR</b>		<b>1750</b>	<b>750</b>	<b>1000</b>	<b>600</b>	<b>300</b>	<b>180</b>

OUTSIDE AIR BASED ON THE 2018 INTERNATIONAL MECHANICAL CODE

### GREASE ACCESS DOOR SCHEDULE

MARK	OPENING SIZE	DOOR SIZE	REMARKS
A	6.5H X 12W	8.5H X 14W	I
B	10.5H X 14W	12.5H X 16W	I
C	5.5H X 14W	7.5H X 16W	I

ACCESS DOORS SHALL BE UL 1978 LISTED OR FIELD FABRICATED, REQUIRE NO TOOLS FOR REMOVAL AND MEET THE REQUIREMENTS OF THE CURRENT EDITION OF THE IMC. ACCESS DOOR ASSEMBLY SHALL BE WELDED IN PLACE TO THE GREASE EXHAUST DUCT AND THE ACCESS DOOR SHALL BE SECURED WITH THUMB SCREWS. ACCESS DOORS SHALL BE SEALED WITH A MINIMUM 1500 DEGREE GASKET MATERIAL EQUIVALENT TO THAT MANUFACTURED BY BRETON INDUSTRIES, INC. (800) 382-2491.

SEE FIREWRAP INSTALLATION INSTRUCTIONS FOR ADDITIONAL INFORMATION ON CONFIGURING INSULATION OVER AN ACCESS DOOR.

WELDED THREADED ROD, LENGTH AS NEEDED.

MIN. 1500 DEGREE GASKET ACCESS DOOR

OUTER PLATE TO COMPLETELY COVER THE FINAL LAYER OF INSULATION.

STAND-OFF FLANGE

TUBE SPACERS FOR WRAP TO BE EITHER 3" OR 4-1/2" LONG DEPENDING ON WHETHER A ONE LAYER OR TWO LAYER SYSTEM IS USED.

LABEL DOOR AS REQUIRED BY CODE

WING NUTS

### EXHAUST FAN SCHEDULE

MARK	CFM	ESP	RPM	TIP SPEED (FPM)	HP	AREA SERVED	MODEL	MANUFACTURER	REMARKS
NEW EF-1	193	.65	964	4364	1/2	NEW HOODLER	165VSB	LOREN COOK	123,456
NEW EF-2	701	.75	1238	4861	1/3	NEW HOOD#2	150VMB	LOREN COOK	123,456
EXISTING EF-3	500	-	-	-	-	RESTROOMS	-	-	7
NEW EF-4	701	.75	1238	4861	1/3	NEW HOOD#3	150VMB	LOREN COOK	123,456

NOTES

- GREASE EXHAUST FAN RPM BASED ON 80 DEGREE F AIR AT 1000 FEET ABOVE SEA LEVEL.
- GREASE EXHAUST FANS TO BE UL 782 LISTED.
- CHICK-FIL-A HAS A NATIONAL ACCOUNT WITH TOM BARRON COMPANY FOR THE FAN/ULB PACKAGE. THE MECHANICAL CONTRACTOR IS REQUIRED TO PURCHASE THE FAN/ULB PACKAGE DIRECTLY FROM TOM BARRON COMPANY. CONTACT MR. SCOTT GEORGE AT 404-35-1010 FOR PRICING AND AVAILABILITY. FANS AND ULBS NOT PURCHASED THRU TOM BARRON COMPANY WILL NOT BE ACCEPTED.

REMARKS

- PROVIDE FACTORY 1" O' BASE CURB AND EXTENSION.
- PROVIDE FACTORY INSTALLED, PRE-WIRED, NEMA 3 NON-FUSED DISCONNECT.
- PROVIDE FACTORY INSTALLED HINGED BASE KIT.
- PROVIDE AND INSTALL ROOFTOP SOLUTIONS G2 DRIP GUARD. MECHANICAL CONTRACTOR TO CONTACT ROOFTOP SOLUTIONS AT 800-93-7034.
- PROVIDE FACTORY INSTALLED HELICAL SPRING AUTOMATIC BELT TENSIONER.
- INTEGRAL THERMAL OVERLOAD WITH AUTOMATIC RESET.
- EXISTING EXHAUST FAN TO REMAIN.

### DUCTLESS SPLIT SYSTEM HEAT PUMP UNIT SCHEDULE

MARK	COOLING CAPACITY (MBH)		EFFICIENCIES SEER2	FAN SECTION CFM	ELECTRICAL DATA			R-410A MODEL		MFR	WEIGHT
	MIN	MAX			CIRCUIT AMPACITY	MOCF	VOLTAGE	AHU	CJ		
ALUMINUM NEW	110	390	132	699-830	2/4	35	208/460	ACC38BX10CH	ACC38BX40CH	SAMSUNG	40.8 LBS / 189.6 LBS

NOTES

- MECHANICAL CONTRACTOR SHALL PURCHASE THE SPLIT SYSTEM HEAT PUMP THROUGH POWERS OF ARKANSAS POOL CONTACT CHAD FISHER WITH PO# AT 479-927-2999

REMARKS

- ELECTRICIAN TO PROVIDE NON-FUSED DISCONNECT.
- MECHANICAL TO PROVIDE AND INSTALL REFRIGERANT PIPING AS PER MFR RECOMMENDATIONS.
- PROVIDE ENGRAVED PLASTIC LABEL AT AHU AND CUH WITH HIGH WHITE LETTERS ON A BLACK BACKGROUND RIVETED TO UNIT CABINET.
- PROVIDE WITH ADEQUATE REFRIGERANT LINE SET, FIELD VERIFY DISTANCE FROM WHERE CONDENSER IS TO BE SET TO AIR HANDLER LOCATION PRIOR TO ORDERING.
- PROVIDE WITH FACTORY WIRED WALL THERMOSTAT, MODEL MMR-WOODLUM, MOUNT NEXT TO POWERED AIRE DOOR CONTROL PANEL. USE TWO-WIRE, STANDARD, NON-PLAAR CONTROL WIRE TO CONNECTOR COING.
- PROVIDE WITH FACTORY FRONT AND BACK WIND BAFFLES FOR LOW AMBIENT CONDITIONS.
- PROVIDE MMB4 CONNECTOR AT INDOOR UNIT CONNECTOR ON#3, WIRE MMB4 TERMINALS 5 AND 6 TO SPARE POLE ON RELAY R1 IN SUNCOAST T-500 PANEL. TERMINALS 11 AND 7 RESPECTIVELY. GO TO VERIFY THAT SPARE CONTACTS ARE AVAILABLE ON THE R1 RELAY PRIOR TO INSTALLATION.

### AIR DOOR SCHEDULE

MARK	CFM	VELOCITY	HEATING CAP	HP	AREA SERVED	MODEL	MANUFACTURER	REMARKS
AD1	175	3070 FPM	10 KW	3/4	DRIVE THRU	CUH-4-3SE	POWERED-AIRE	1235
AD2	197	3443 FPM	10 KW	3/4	DRIVE THRU	CUH-4-3SE	POWERED-AIRE	123

NOTES

- CHICK-FIL-A HAS A NATIONAL ACCOUNT WITH TOM BARRON COMPANY FOR THE AIR DOORS. THE MECHANICAL CONTRACTOR SHALL PURCHASE THE AIR DOORS DIRECTLY FROM TOM BARRON COMPANY. CONTACT MR. SCOTT GEORGE AT 404-35-1010 FOR PRICING AND AVAILABILITY. AIR DOORS NOT PURCHASED THRU TOM BARRON COMPANY WILL NOT BE ACCEPTED.

REMARKS

- ELECTRICIAN TO PROVIDE NON-FUSED DISCONNECT.
- MECHANICAL TO PROVIDE AND INSTALL REFRIGERANT PIPING AS PER MFR RECOMMENDATIONS.
- PROVIDE ENGRAVED PLASTIC LABEL AT AHU AND CUH WITH HIGH WHITE LETTERS ON A BLACK BACKGROUND RIVETED TO UNIT CABINET.
- PROVIDE WITH ADEQUATE REFRIGERANT LINE SET, FIELD VERIFY DISTANCE FROM WHERE CONDENSER IS TO BE SET TO AIR HANDLER LOCATION PRIOR TO ORDERING.
- PROVIDE WITH FACTORY WIRED WALL THERMOSTAT, MODEL MMR-WOODLUM, MOUNT NEXT TO POWERED AIRE DOOR CONTROL PANEL. USE TWO-WIRE, STANDARD, NON-PLAAR CONTROL WIRE TO CONNECTOR COING.
- PROVIDE WITH FACTORY FRONT AND BACK WIND BAFFLES FOR LOW AMBIENT CONDITIONS.
- PROVIDE MMB4 CONNECTOR AT INDOOR UNIT CONNECTOR ON#3, WIRE MMB4 TERMINALS 5 AND 6 TO SPARE POLE ON RELAY R1 IN SUNCOAST T-500 PANEL. TERMINALS 11 AND 7 RESPECTIVELY.

### AIR DEVICE SCHEDULE

MARK	DESCRIPTION	LOCATION	NECK SIZE	FACE SIZE	FRAME TYPE	REMARKS
A	PRICE MODEL APDC ALUMINUM SUPPLY AIR DIFFUSER WITH INDIVIDUALLY ADJUSTABLE CURVED AIR PATTERN CONTROLLERS.	DINING AREA KITCHEN	SEE PLAN	24X24	LAY-IN	1.8
C	PRICE MODEL SMCD STEEL SUPPLY AIR DIFFUSER FIELD ADJUSTABLE AIR PATTERN CONTROLLERS.	ENTRYS	14X4	20X20	BEVELLED	1.3,5,7
D	PRICE MODEL 22 DOUBLE DEFLECTION ALUMINUM SIDEWALL SUPPLY GRILLE. FRONT BLADE PARALLEL TO SHORT SIDE.	PLAYAREA	SEE PLAN	10X8	SURFACE	1
F	PRICE MODEL 22 DOUBLE DEFLECTION ALUMINUM SIDEWALL RETURN GRILLE. FRONT BLADE PARALLEL TO LONG SIDE.	PLAYAREA	SEE PLAN	24X24	SURFACE	1.8
G	PRICE MODEL 22 DOUBLE DEFLECTION ALUMINUM SIDEWALL SUPPLY GRILLE. FRONT BLADE PARALLEL TO LONG SIDE.	PLAYAREA	SEE PLAN	14X2	NA	1
H	PRICE MODEL APDC ALUMINUM SUPPLY AIR DIFFUSER WITH INDIVIDUALLY ADJUSTABLE CURVED AIR PATTERN CONTROLLERS.	OFFICE	12	24X24	LAY-IN	1.6,8
J	PRICE MODEL SMCD STEEL SUPPLY AIR DIFFUSER FIELD ADJUSTABLE AIR PATTERN CONTROLLERS.	RESTROOMS	10X10	16X16	BEVELLED	1.23,5,7
K	PRICE MODEL APDC ALUMINUM PERFORATED FACE RETURN AIR GRILLE.	RESTROOMS	14X4	17X17	SURFACE	1.4,5,7
L	PRICE MODEL 21 SINGLE DEFLECTION ZERO DEGREE DEFLECTION ALUMINUM SIDEWALL RETURN GRILLE. FRONT BLADE PARALLEL TO LONG SIDE.	PLAYAREA	12X2	14X4	SURFACE	1

NOTES

- MECHANICAL CONTRACTOR SHALL PURCHASE THE AIR DEVICES DIRECTLY FROM TOM BARRON COMPANY. CONTACT MR. SCOTT GEORGE AT 404-35-1010 FOR PRICING AND AVAILABILITY. AIR DEVICES NOT PURCHASED THRU TOM BARRON COMPANY WILL NOT BE ACCEPTED.

REMARKS

- STANDARD OFF WHITE FINISH.
- PROVIDE MODEL VCS3 NECK DAMPER.
- SEE DRAWING M1 FOR THROW.
- PROVIDE MODEL V07 NECK DAMPER ON GRILLES IN RESTROOMS.
- PROVIDE BACKPAN MC TO SEAL JOINTS WITH MASTIC AND INSULATE EXTERNALLY.
- PROVIDE V07 NECK DAMPER ADJUSTABLE THRU DIFFUSER FACE.
- FIELD INSULATE BACKPAN AS SHOWN ON DETAIL 2MM-1.
- FACTORY INSULATED R-6 BACKPAN.

### KITCHEN PRESSURIZATION

DESCRIPTION	CFM
RETURN AIR FROM SIDE DINING BACK TO KITCHEN	+700
NEW AC-1 OA (25 TON-191 OA)	+750
NEW AC-6 OA (3 TON-168 OA)	+180
NEW EF-1 KITCHEN HOOD #L	-709
NEW EF-1 KITCHEN HOOD #R	-1204
NEW EF-2 KITCHEN HOOD #2	-701
NEW EF-4 KITCHEN HOOD #3	-701
<b>TOTAL</b>	<b>-685</b>

### DINING PRESSURIZATION

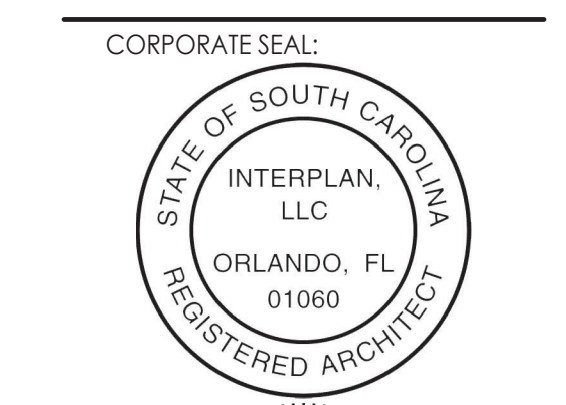
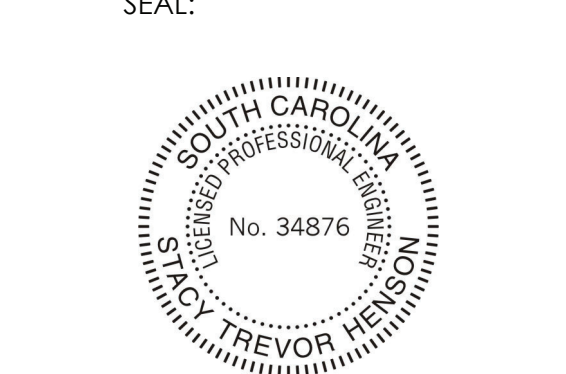
DESCRIPTION	CFM
EXISTING AC-2 OA (8.5 TON-241 OA)	+750
EXISTING AC-3 OA (25 TON-25.04 OA)	+1000
EXISTING AC-4 OA (7.5 TON-22.08 OA)	+600
EXISTING AC-5 OA (5 TON-15.01 OA)	+300
EXISTING EF-3 RESTROOM EXHAUST	-500
RETURN AIR FROM SIDE DINING BACK TO KITCHEN	-700
<b>BUILDING POSITIVE PRESSURE TOTAL</b>	<b>+1450</b>
<b>BUILDING POSITIVE PRESSURE</b>	<b>+765</b>



**Chick-fil-A**  
 5200 Buffington Road  
 Atlanta, Georgia  
 30349-2998



**INTERPLAN**  
 ARCHITECTURE  
 ENGINEERING  
 PERMITTING  
 220 E. CENTRAL PKWY, STE 4000  
 ALTAMONTE SPRINGS, FL 32701  
 407.645.5038



**CHICK-FIL-A**  
**CAROLINA FOREST**  
 85 Rodeo Dr  
 Myrtle Beach  
 SC 29579

**FSU#01762**

BUILDING TYPE / SIZE: S04-152  
 RELEASE: 22.05  
 PRINTED FOR: CONSTRUCTION

REVISION SCHEDULE

NO.	DATE	DESCRIPTION
1	08/20/2022	ISSUE FOR PERMITS
2	08/20/2022	CONSTRUCTION PERMITS

CONSULTANT PROJECT # 2020-0330  
 DATE November 2022  
 DRAWN BY AM

CHECKED BY DAK  
 Information contained on this drawing and all digital files produced for above named project may not be reproduced or transmitted in any form or by any means without the express written or verbal consent from the project sponsor.

SHEET MECHANICAL SCHEDULES

SHEET NUMBER  
**M3.1**



### KITCHEN HOOD SYSTEMS NOTES

- CHICK-FIL-A MAINTAINS A NATIONAL ACCOUNT WITH HALTON CO. FOR THE HOODS. CHICK-FIL-A WILL PURCHASE AND PROVIDE THE HOODS FOR INSTALLATION BY THE MECHANICAL CONTRACTOR. THE MECHANICAL CONTRACTOR SHALL BE RESPONSIBLE FOR RECEIVING THE HOODS. CONTACT HALTON CO. AT 270-237-5600 FOR MORE INFO.
- THE FIRE SUPPRESSION SYSTEM SHALL CONSIST OF A COMPLETE WET ANSUL SYSTEM FURNISHED BY HALTON. THE HOOD SHALL BE FURNISHED PRE-PIPED BY HALTON.
- THE R-102 ANSUL FIRE SUPPRESSION SYSTEM EXTERNAL TO THE HOODS SHALL BE INSTALLED IN ACCORDANCE WITH HOOD MANUFACTURER'S SHOP DRAWINGS BY AN AUTHORIZED ANSUL SYSTEM INSTALLER HIRED BY HALTON.
- HOOD EXHAUST DUCTWORK SHALL BE 16 GA. BLACK STEEL WITH CONTINUOUS LIQUID TIGHT WELD OF JOINTS & SEAMS.
- TURNS IN GREASE EXHAUST DUCTWORK SHALL BE LONG RADIUS TYPE, WITH A CENTERLINE RADIUS R-3W/2, NO EXCEPTIONS ALLOWED. NO MITERED FITTINGS ALLOWED.
- ALL STAINLESS STEEL CLOSURE PANELS SHALL BE SUPPLIED BY HOOD MANUFACTURER AND INSTALLED BY THE MECHANICAL CONTRACTOR ACCORDING TO MANUFACTURER'S RECOMMENDATIONS.
- SLOPE ALL GREASE EXHAUST DUCT BACK TO HOOD AT 1/4" PER FOOT OF RUN.
- WRAP NEW GREASE DUCT WITH UNIFRAX FIBREWRAP. INSULATION ON ACCESS DOORS SHALL BE INSTALLED ACCORDING TO MANUFACTURER'S INSTALLATION RECOMMENDATIONS. UNIFRAX FIBREWRAP PRODUCT USED SHALL MEET LOCAL CODE REQUIREMENTS.
- SUPPORT HOOD#1&#2 HOOD#3 WITH THREADED ROD AT EACH FACTORY SUPPORT POINT. EACH SUPPORT POINT MUST SUPPORT THE HOOD WEIGHT EQUALLY. ATTACH TO STRUCTURE AS DETAILED ON STRUCTURAL DRAWINGS.

### HOOD SCHEDULE

MARK	EXHAUST CFM	SP * TAB PORT	CAPTURE JET CFM & SP.	TYPE	COLLAR SIZE	WIDTH	DEPTH	HEIGHT	MANUFACTURER	MODEL	REMARKS
NEW HOOD#1L	709	0.23	47 * 0.30"	CANOPY	8"X8"	63	37	38	HALTON	KVL-2	1
NEW HOOD#1R	1204	0.22	80 * 0.30"	CANOPY	14"X8"	107	37	38	HALTON	KVL-2	1
NEW HOOD#2	701	0.39	30 * 0.29"	CANOPY	8"X8"	42	34	38	HALTON	KVL-C	1
NEW HOOD#3	701	0.39	30 * 0.29"	CANOPY	8"X8"	42	34	38	HALTON	KVL-C	1

NOTES: DIMENSIONS OF HOODS INCLUDE BACK AND SIDE SPACERS (HEIGHT DOES NOT INCLUDE CLOSURE PANELS).

REMARKS: 1. TYPICAL INSTALLATION FOR NEW HOODS. FIELD VERIFY & COORDINATE WITH HOOD DRAWINGS BY HALTON. REFER TO SHEET M-H1 & M-H2 PRIOR TO BID & CONSTRUCTION.

#### GREASE EXHAUST DUCT CLEARANCE NOTE

CLEARANCES ABOVE CEILING ARE TIGHT. MECHANICAL CONTRACTOR TO FIELD VERIFY EXACT ROUTING AND CLEARANCES PRIOR TO FABRICATING GREASE EXHAUST DUCT.

#### CAPTURE JET NOTE

REFER TO 'CAPTURE-JET FAN INSTALLATION AND DIMENSIONAL DATA' SCHEDULE ON HALTON SHOP DRAWINGS (SHEET M-H1) FOR INFORMATION ON CAPTURE JET FAN.

#### CLEANOUT DOOR NOTE

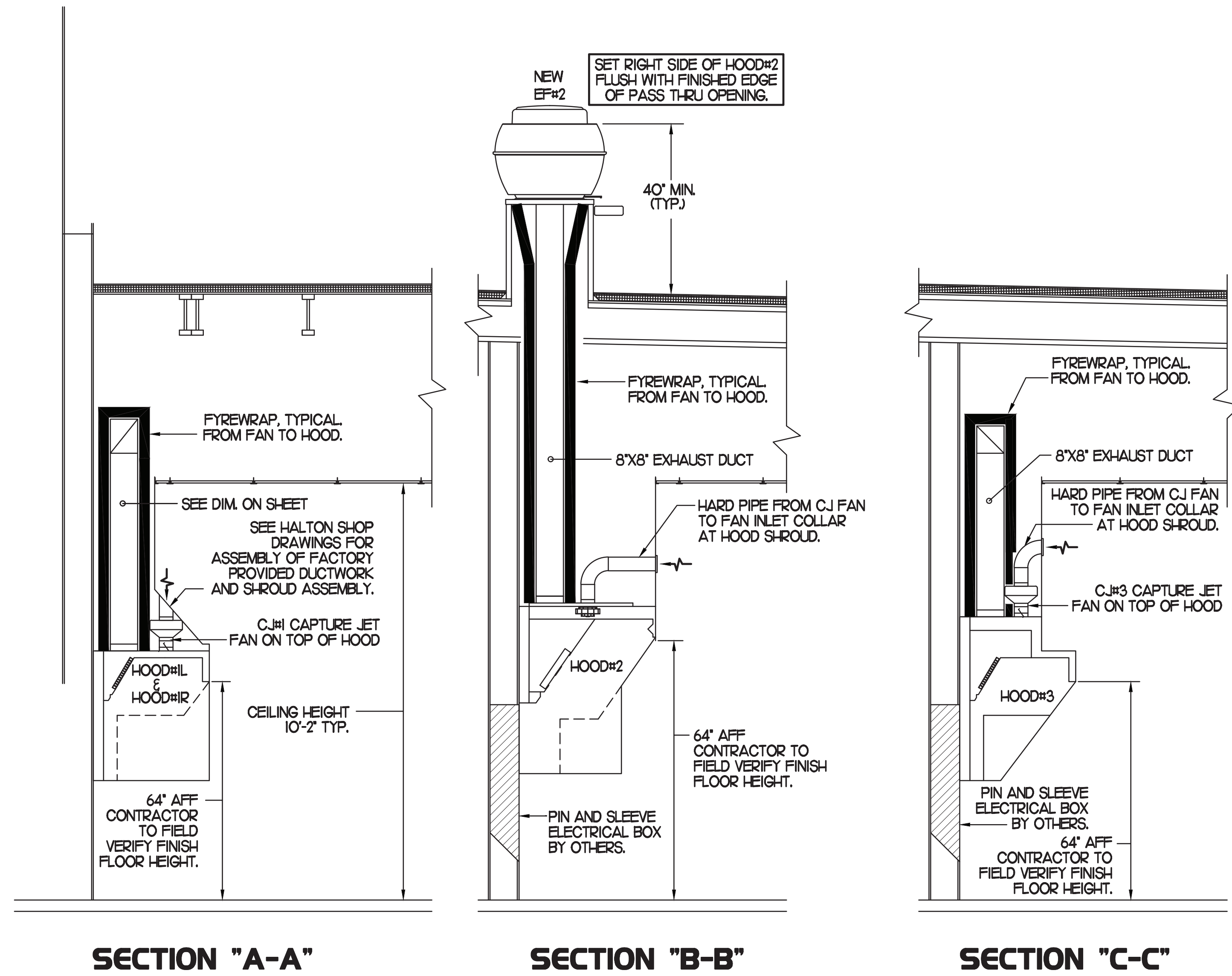
DUCT WRAP SHALL BE APPLIED TO THE CLEANOUT DOOR PER THE WRAP MFR'S INSTALLATION INSTRUCTIONS, NO EXCEPTIONS. ALSO, THE CLEANOUT DOOR MUST BE REMOVABLE WITHOUT TOOLS AND MUST BE CLEARLY AND PERMANENTLY LABELED.

#### HOOD ELEVATION NOTE

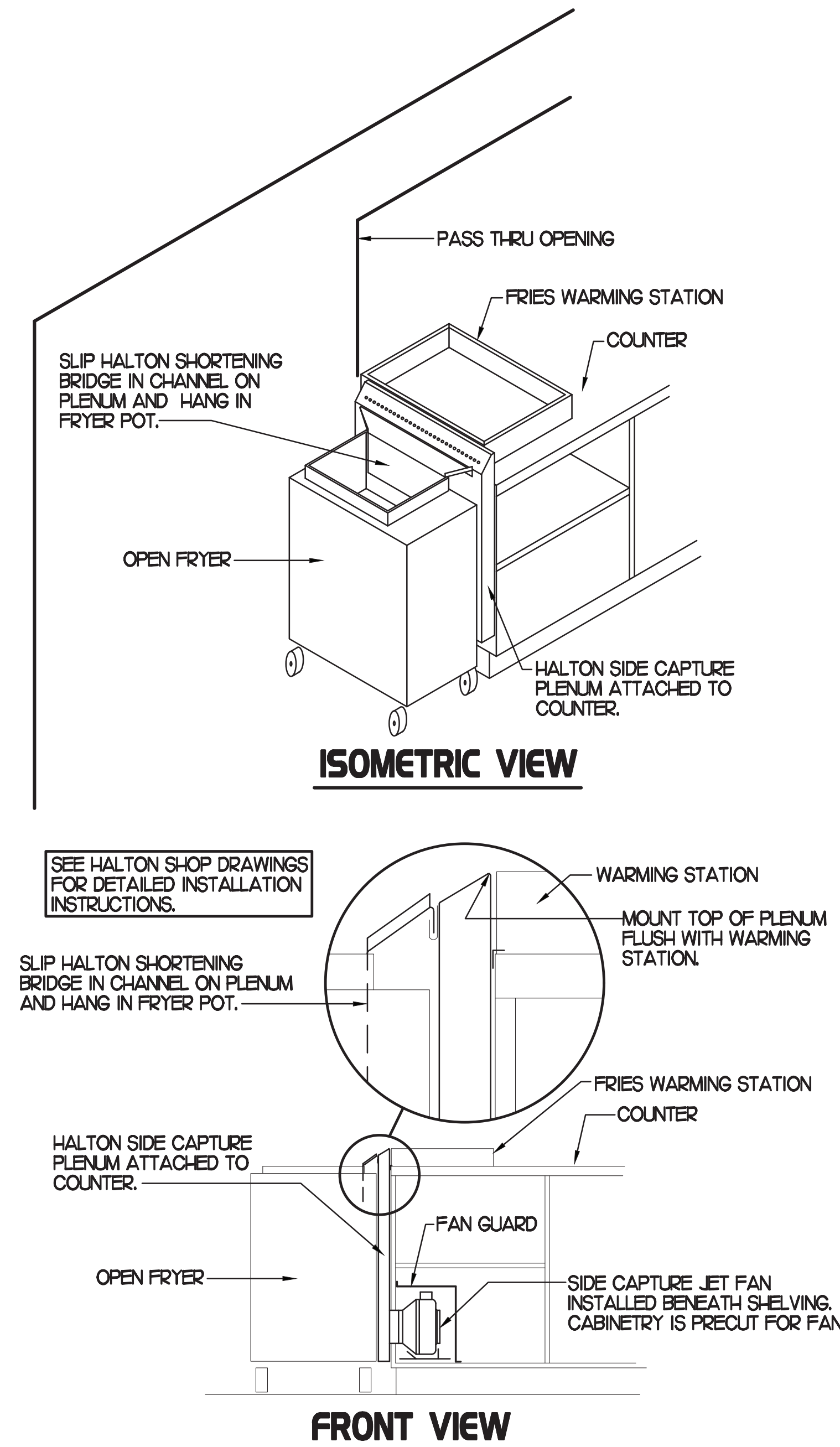
HOOD ELEVATIONS ON THIS SHEET ONLY SERVE ILLUSTRATIVE PURPOSES. SEE DETAILS ON HALTON SHOP DRAWINGS ON SHEET M-H1 FOR DETAILS ON STANDOFFS, CLEARANCES, AND HOOD CONSTRUCTION.

#### NOTE

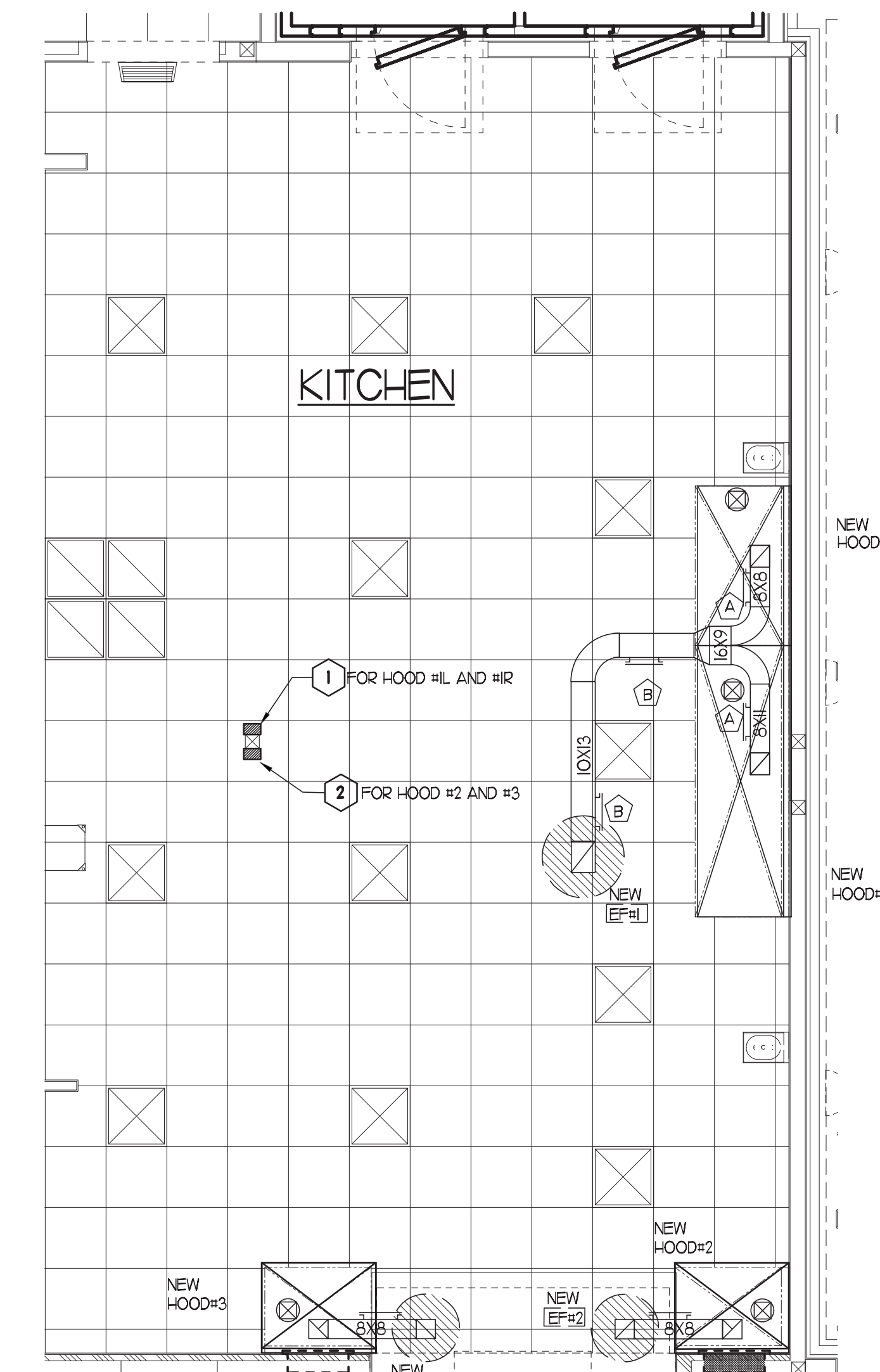
ALL NEW HOODS SHALL BE RATED WITH ONE INCH THICK LAYER OF FACTORY INSTALLED INSULATION TO MEET "ZERO INCH CLEARANCE" TO COMBUSTIBLE MATERIALS. HOOD SHALL BE CERTIFIED BY ETL SPECIFICATIONS, AND SHALL CONFORM TO UL STANDARD 710, BUILT PER NFPA 96 SECTION 4.2.2, AND NSF LISTED.



**3 HOOD ELEVATIONS**  
SCALE: NONE



**2 HALTON SIDE CAPTURE JET PLENUM**  
SCALE: NONE



### HOOD LAYOUT NOTES

- ANSUL PULL STATION SERVING NEW HOOD #1L & #1R. LOCATE ANSUL PULL STATION BETWEEN 42" AND 48" AFF. COORDINATE EXACT LOCATION WITH KITCHEN EQUIPMENT ELEVATIONS. J-BOX AND CONDUIT ARE BY ELECTRICAL. PROVIDE RED BAKELITE LABEL WITH 1/2" HIGH LETTERS INDICATING THE HOODS SERVED.
- ANSUL PULL STATION SERVING NEW HOODS #2 AND #3. LOCATE ANSUL PULL STATION BETWEEN 42" AND 48" AFF. COORDINATE EXACT LOCATION WITH KITCHEN EQUIPMENT ELEVATIONS. J-BOX AND CONDUIT ARE BY ELECTRICAL. PROVIDE RED BAKELITE LABEL WITH 1/2" HIGH LETTERS INDICATING THE HOODS SERVED.

**1 HOOD LAYOUT**  
1/8"=1'-0"



Chick-fil-A  
5200 Buffington Road  
Atlanta, Georgia  
30349-2998



ARCHITECTURE  
ENGINEERING  
PERMITTING

220 E. CENTRAL PKWY, STE 4000  
ALAMONTE SPRINGS, FL 32701  
407.645.5938

SEAL:



CORPORATE SEAL:



**CHICK-FIL-A**  
**CAROLINA FOREST**  
85 Rodeo Dr  
Myrtle Beach  
SC 29579

**FSU#01762**

BUILDING TYPE / SIZE: S04-152

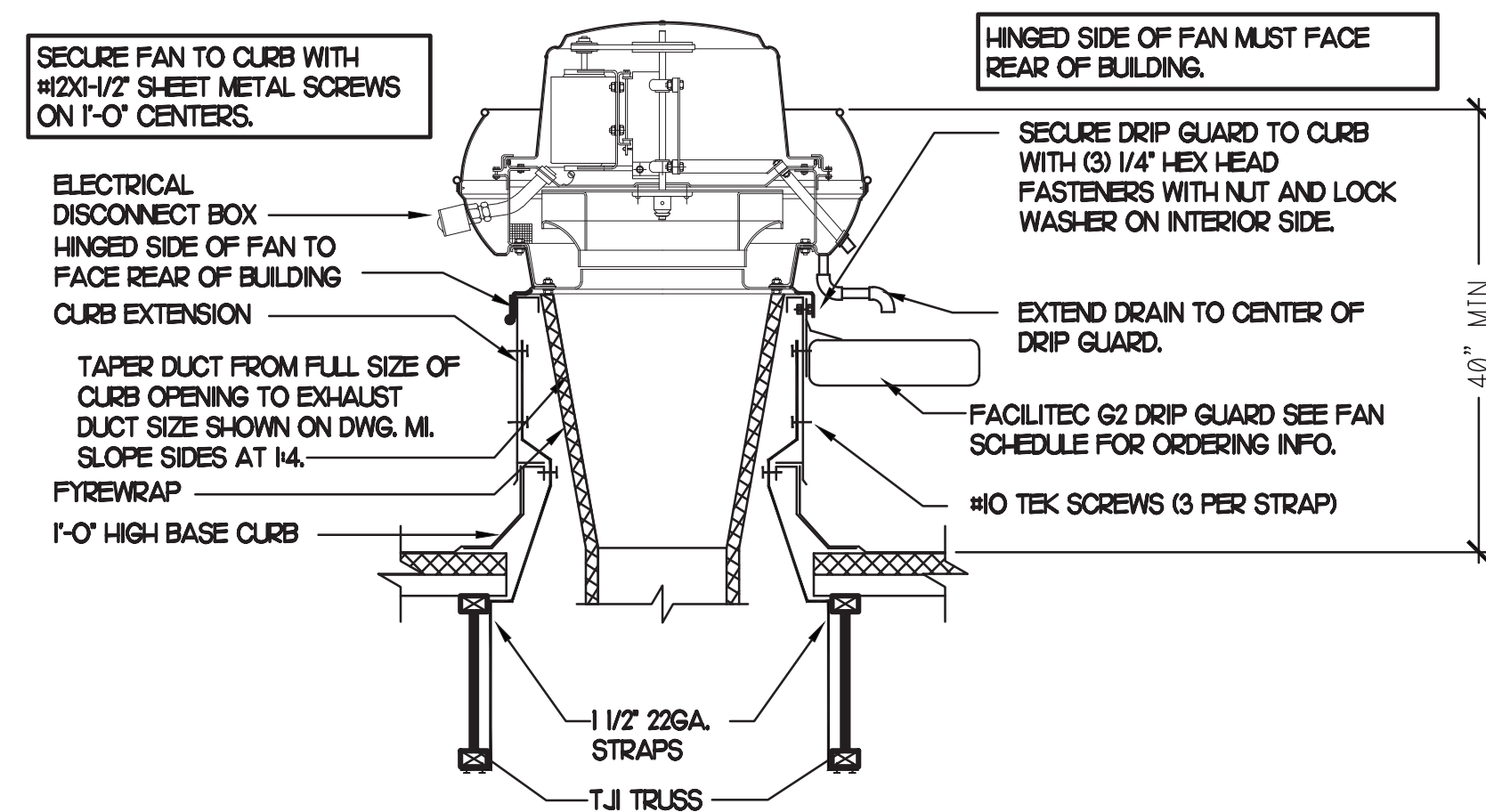
RELEASE: 22.05

PRINTED FOR: CONSTRUCTION

REVISION SCHEDULE

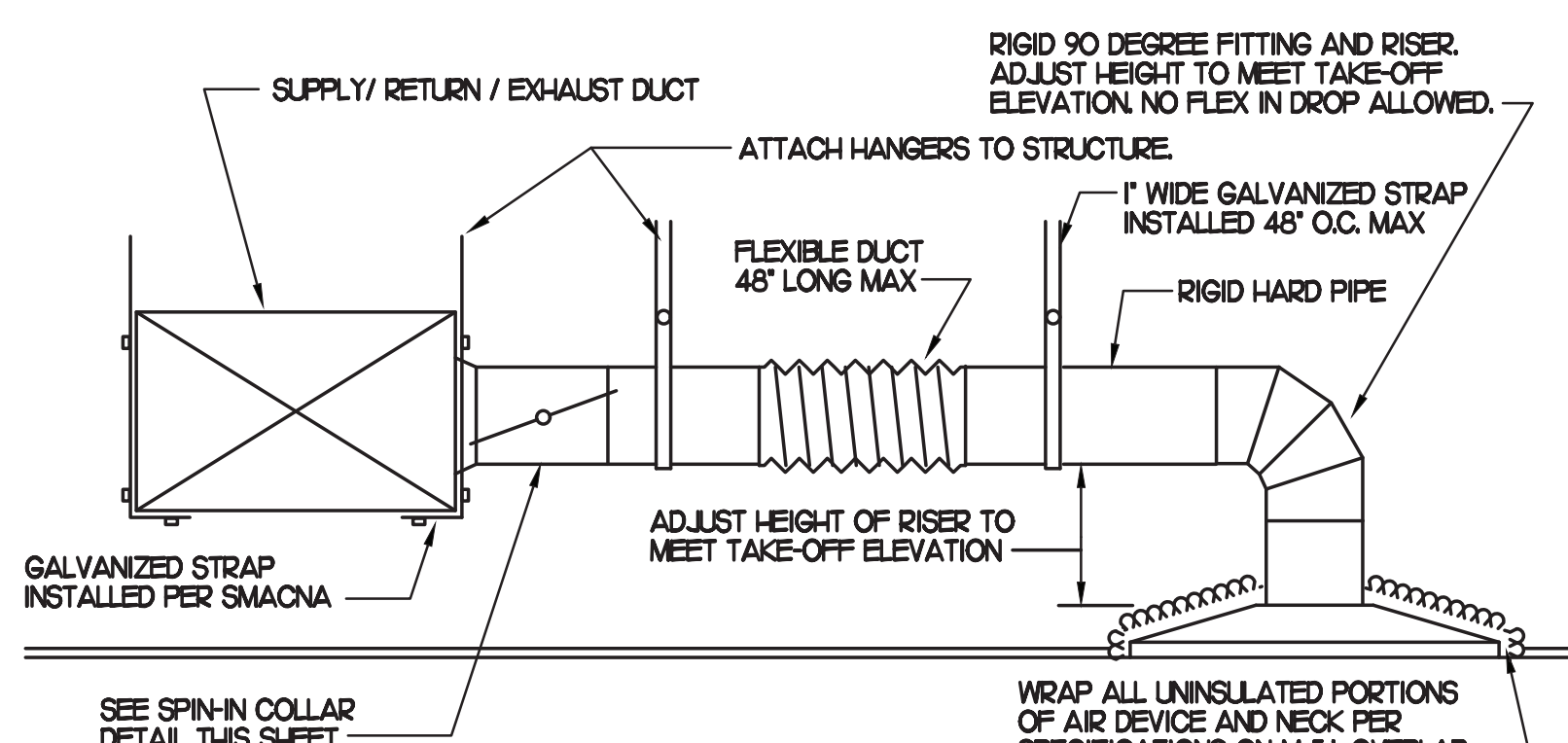
NO. DATE DESCRIPTION

SHEET NUMBER  
**M2.1**



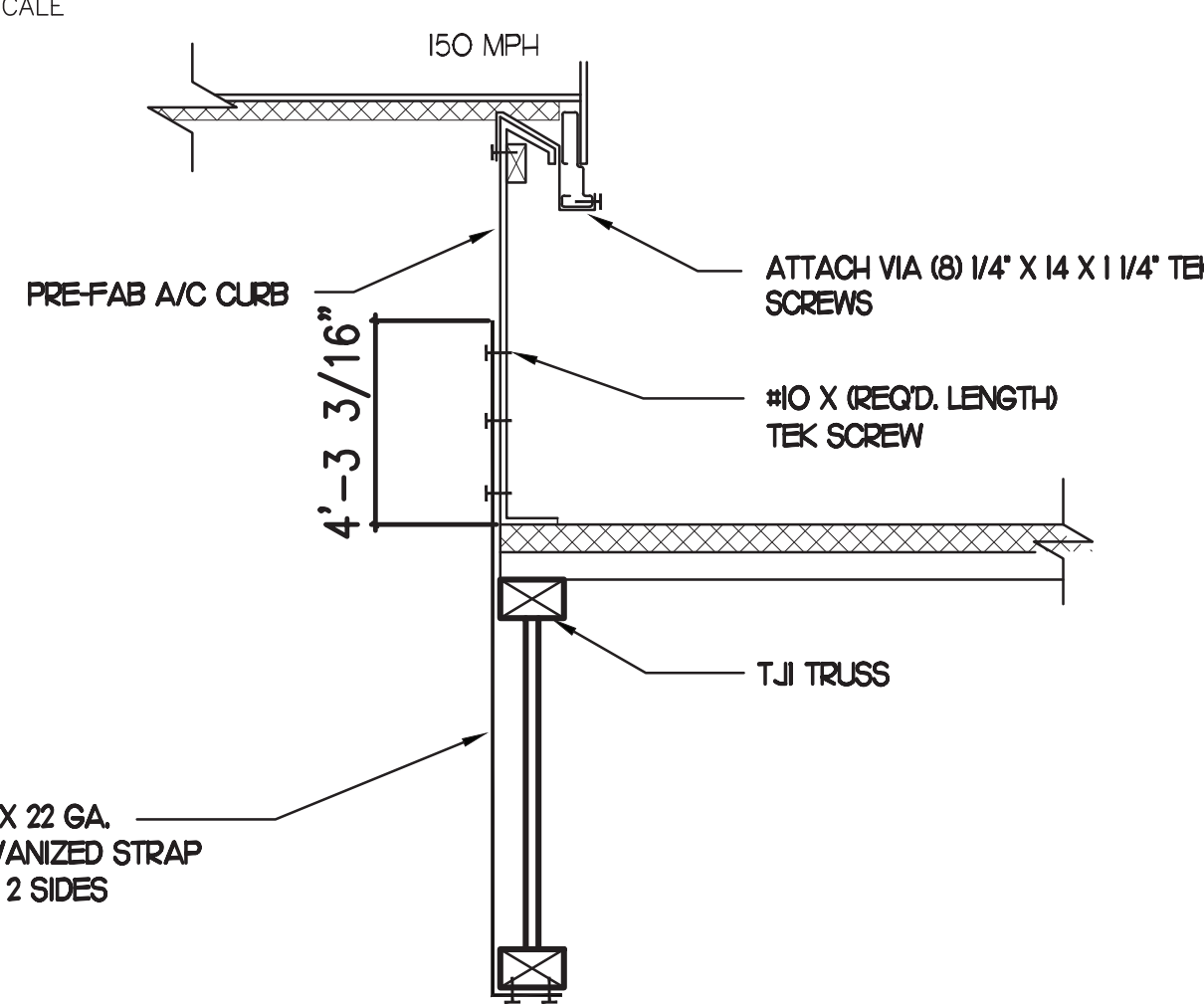
**1 KITCHEN HOOD EXHAUST FAN**

NO SCALE



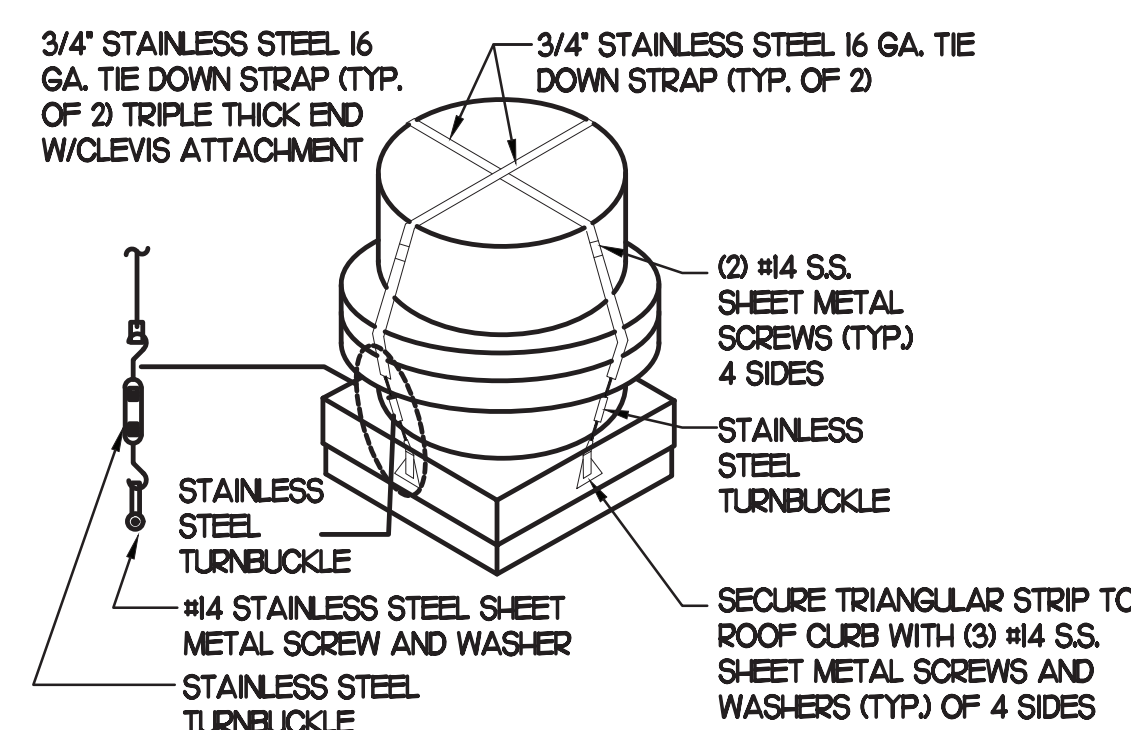
**2 SAG/RAG/GRILLE TAKE-OFF**

NO SCALE



**3 RTU TIE-DOWNS DETAIL**

NO SCALE

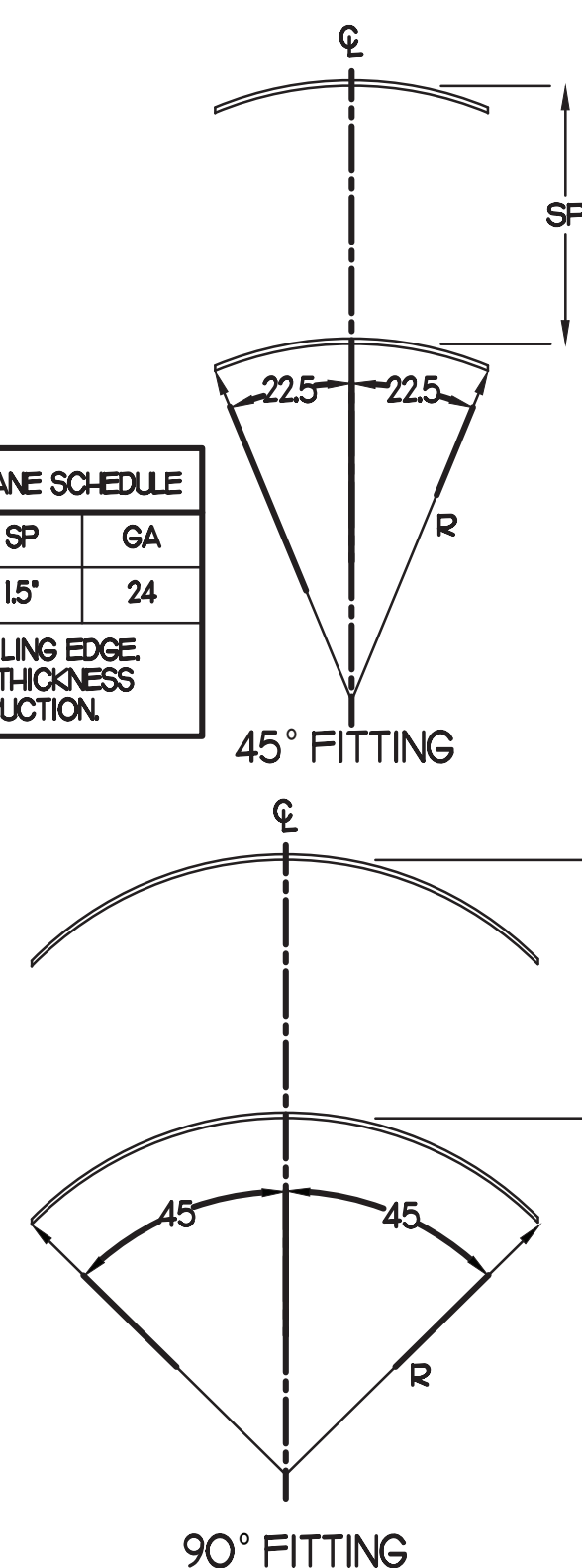


**4 FAN SECURING DETAIL**

NO SCALE

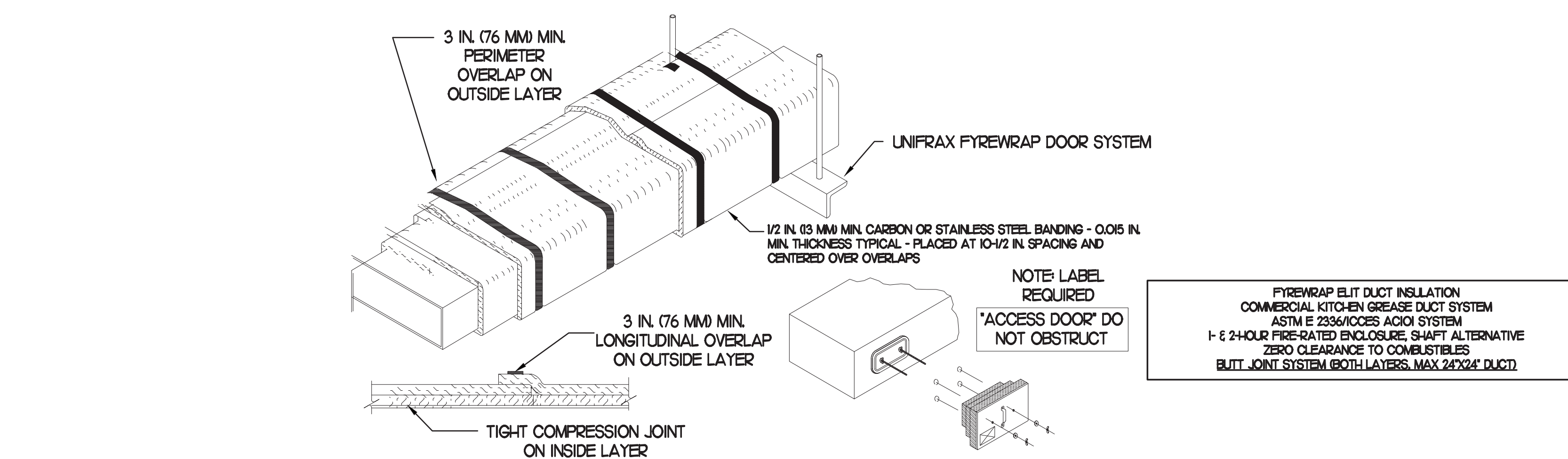
TURNING VANE SCHEDULE			
R	SP	GA	
2'	15'	24	

NO TRAILING EDGE SINGLE THICKNESS CONSTRUCTION.



**6 TURNING VANES**

NO SCALE



1. UNIFRAX FIREWRAP ELITE I5 DUCT INSULATION HAS BEEN TESTED IN ACCORDANCE WITH ASTM E 2336 TO PROVIDE ZERO CLEARANCE TO COMBUSTIBLES AND MEETS THE REQUIREMENTS FOR ONE OR TWO HOUR ENCLOSURES. THROUGH PENETRATIONS FIRESTOP SYSTEMS ARE TESTED IN ACCORDANCE WITH EITHER ASTM E 814 OR UL 1479. ICC-ES APPROVAL PER REPORT ESR 2213 OR ESR 2832. UNDERWRITER'S LABORATORIES (UL) LISTINGS SHOW COMPLIANCE TO UL 1479 FOR T-ROUGH PENETRATION FIRESTOP SYSTEMS.

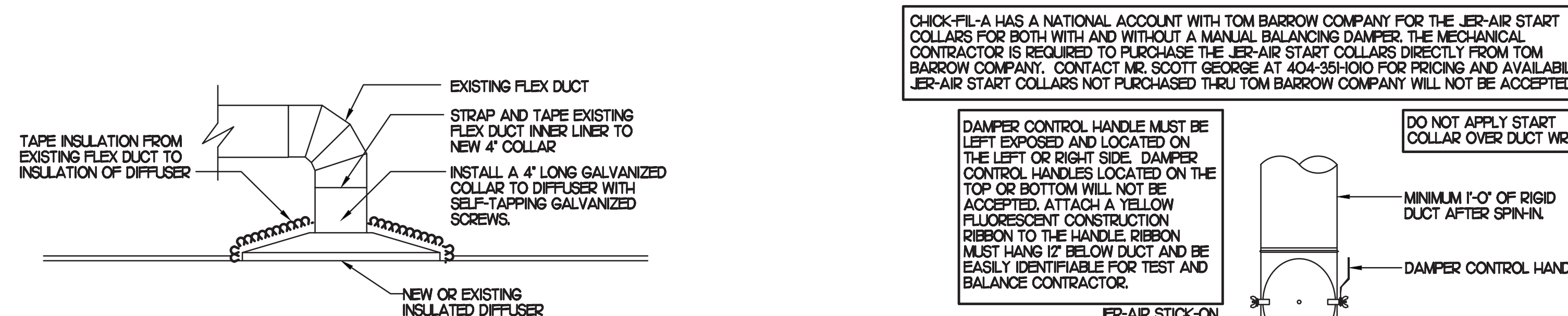
2. COMPLIANT TO THE FOLLOWING CODES:

- BUILDING CODE: 2018 INTERNATIONAL BUILDING CODE
- PLUMBING CODE: 2018 INTERNATIONAL PLUMBING CODE
- MECHANICAL CODE: 2018 INTERNATIONAL MECHANICAL CODE
- FUEL GAS CODE: 2018 INTERNATIONAL FUEL GAS CODE
- ELECTRICAL CODE: 2018 NATIONAL ELECTRICAL CODE
- ENERGY CODE: N/A
- FIRE CODE: 2018 INTERNATIONAL FIRE CODE
- ACCESSIBILITY CODE: 1990 ADA CODE

- 3. INSULATION APPLIED IN TWO LAYERS WITH TIGHT COMPRESSION JOINT ON INSIDE LAYER AND 3 INCH MINIMUM OVERLAPS ON BOTH PERIMETER AND LONGITUDINAL OVERLAPS ON OUTSIDE LAYER.
- 4. GREASE EXHAUST DUCT RUNS FROM THE HOOD EXHAUST CONNECTION UP TO THE EXHAUST FAN ON THE ROOF WITH MINIMAL TURNS OR BENDS AND MAINTAINING MINIMUM 1/4 UNIT VERTICAL RISE PER 12 UNITS HORIZONTAL RUN. NFPA 96 COMPLIANT ACCESS DOORS LOCATED AS REQUIRED BY CODE.
- 5. UNIFRAX FIREWRAP ELITE I5 ACCESS DOORS AS SPECIFIED IN ICC-ES BUILDING CODE REPORTS ESR 2213 OR ESR 2832.
- 6. ROOF MOUNTED EXHAUST FAN IS MOUNTED ON A HINGED BASE WHICH ALLOWS ACCESS TO THE DUCT FROM THE ROOF.
- 7. SUPPORT HANGER SYSTEMS DO NOT NEED TO BE WRAPPED PROVIDED THE HANGER RODS ARE AT LEAST A MINIMUM OF 3/8 IN DIAMETER. USE MINIMUM 2 X 2 X 1/8 IN STEEL ANGLE OR SMACTA EQUIVALENT SUPPORT SYSTEM.
- 8. UNIFRAX FIREWRAP ELITE I5 DUCT ENCLOSURE SYSTEM SHALL BE INSTALLED IN ACCORDANCE WITH MANUFACTURERS INSTRUCTIONS.
- 9. UNIFRAX FIREWRAP ELITE I5 DUCT WRAP SHALL BE INSTALLED ON THE DUCT FROM THE HOOD CONNECTION TO THE CONNECTION TO THE FAN.

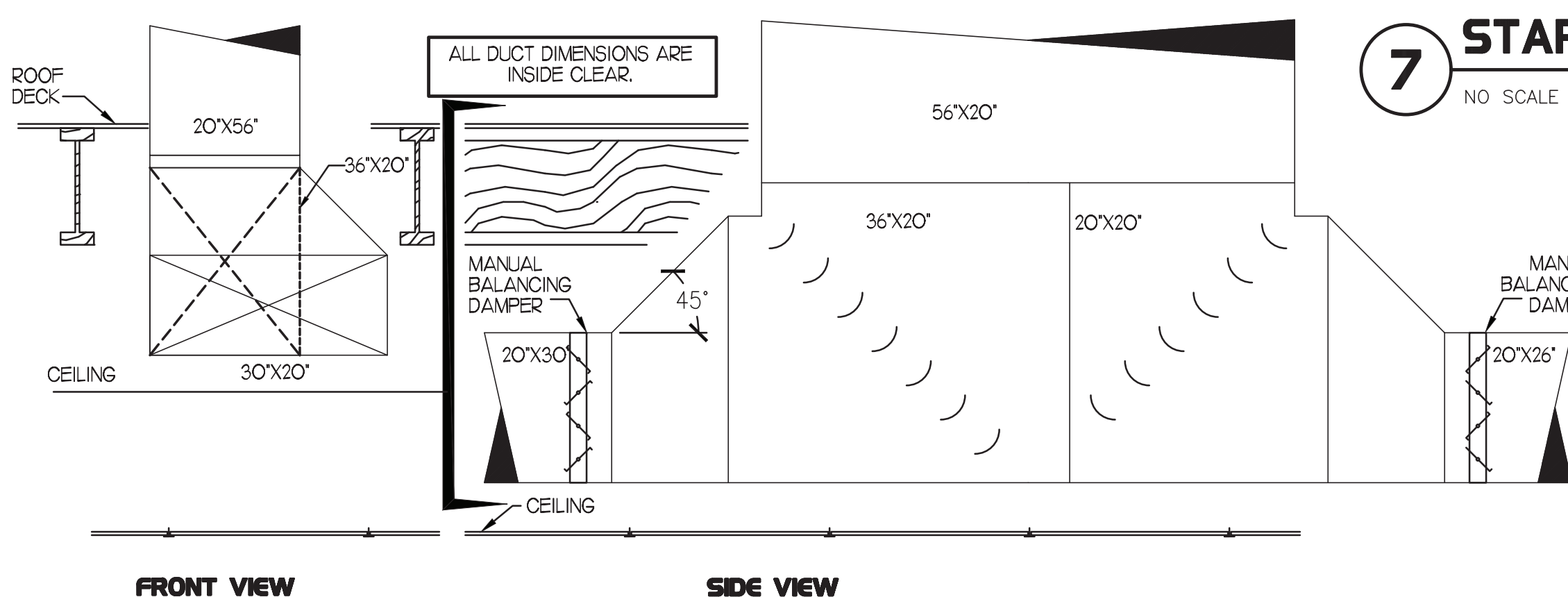
**5 GREASE EXHAUST DUCT PROTECTION TO COMBUSTIBLES DETAIL**

NO SCALE



**6 DIFFUSER & GRILLE WHEN CEILING IS REPLACED**

NO SCALE



**7 START COLLAR**

NO SCALE



**Chick-fil-A**

Chick-fil-A  
5200 Buffington Road  
Atlanta, Georgia  
30349-2998

**INTERPLAN**  
INTERPLAN LLC

ARCHITECTURE  
ENGINEERING  
PERMITTING

220 E. CENTRAL PKWY, STE 4000  
ALFAMONTE SPRINGS, FL 32701  
407.645.5938

SEAL:



CORPORATE SEAL:



**CHICK-FIL-A**  
**CAROLINA FOREST**  
85 Rodeo Dr  
Myrtle Beach  
SC 29579

**FSU#01762**

BUILDING TYPE / SIZE: S04-152  
RELEASE: 22.05

PRINTED FOR  
**CONSTRUCTION**

REVISION SCHEDULE  
NO. DATE DESCRIPTION

CONSULTANT PROJECT # 2020.0330  
DATE November 2022  
DRAWN BY AIT

CHECKED BY DAK  
Information contained on this drawing and in all digital files produced for above named project may not be reproduced in any manner without express written or verbal consent from authorized project representatives.

SHEET  
**MECHANICAL DETAILS**

SHEET NUMBER  
**M4.1**







