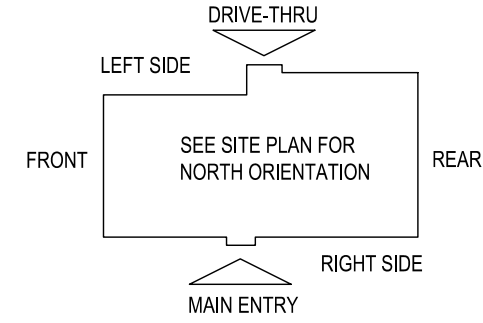


**E5 HVAC PLAN**  
SCALE: 1/4" = 1'-0"



**NOTE:** ALL DUCTWORK TO BE LOCATED IN TRUSS SPACE WHERE POSSIBLE. SEE FRAMING PLAN.

HVAC SETPOINTS RECOMMENDED BY CORPORATE OPERATIONAL GUIDELINES:  
 1. DINING: HEATING 70 DEGF. COOLING 72 DEGF.  
 2. KITCHEN: HEATING 68 DEGF. COOLING 74 DEGF

| SUPPLY DUCTWORK SIZING TABLE* |               |           |               |      |
|-------------------------------|---------------|-----------|---------------|------|
| SIZE                          | ROUND         |           | RECTANGULAR   |      |
|                               | CFM RANGE     | SIZE      | CFM RANGE     | SIZE |
| 8"                            | 115 - 235     | 8" x 8"   | 205 - 300     |      |
| 10"                           | 240 - 435     | 10" x 8"  | 305 - 400     |      |
| 12"                           | 440 - 710     | 10" x 10" | 405 - 550     |      |
| 14"                           | 715 - 1,070   | 12" x 10" | 555 - 700     |      |
| 16"                           | 1,075 - 1,530 | 12" x 12" | 705 - 900     |      |
| 18"                           | 1,535 - 2,090 | 14" x 12" | 905 - 1,105   |      |
| 20"                           | 2,095 - 2,760 | 16" x 12" | 1,110 - 1,315 |      |
| 22"                           | 2,765 - 3,550 | 18" x 12" | 1,320 - 1,520 |      |
| 24"                           | 3,555 - 4,470 | 20" x 12" | 1,525 - 1,740 |      |
|                               |               | 22" x 12" | 1,745 - 1,950 |      |
|                               |               | 24" x 12" | 1,955 - 2,170 |      |
|                               |               | 26" x 12" | 2,175 - 2,400 |      |
|                               |               | 28" x 12" | 2,405 - 2,610 |      |
|                               |               | 30" x 12" | 2,615 - 2,840 |      |
|                               |               | 32" x 12" | 2,845 - 3,070 |      |
|                               |               | 34" x 12" | 3,075 - 3,290 |      |
|                               |               | 36" x 12" | 3,295 - 3,520 |      |
|                               |               | 36" x 14" | 3,525 - 4,420 |      |

\*CONTRACTOR MAY SUBSTITUTE RECTANGULAR FOR ROUND DUCTWORK ON MAIN RUNS AT THEIR DISCRETION. BRANCHES TO DIFFUSERS TO REMAIN ROUND.

| DIFFUSER, REGISTER, AND GRILLE SCHEDULE |          |                 |          |            |          |          |          |                    |         |
|---|----------|-----------------|----------|------------|----------|----------|----------|--------------------|---------|
| TAG                                     | SERVICE  | TYPE            | MATERIAL | THROW      | FACE     | NECK     | MOUNTING | MANUFACTURER/MODEL | Notes   |
| SD-1                                    | SUPPLY   | LOUVERED        | STEEL    | 4-WAY      | 24X24    | SEE PLAN | LAY-IN   | CARNES SFP24       | 2, 4    |
| SD-2 - NOT USED                         |          |                 |          |            |          |          |          |                    |         |
| SD-3                                    | SUPPLY   | LOUVERED        | STEEL    | 3-WAY      | SEE PLAN | SEE PLAN | SURFACE  | CARNES SKSA        | 2, 4    |
| SD-4                                    | SUPPLY   | LOUVERED        | STEEL    | 4-WAY      | 12X12    | SEE PLAN | SURFACE  | CARNES SKSA        | 1, 2, 4 |
| SD-5                                    | SUPPLY   | PERFORATED      | STEEL    | PERFORATED | 24X24    | SEE PLAN | LAY-IN   | CARNES SPRB24      | 2, 4    |
| RG-1                                    | RETURN   | SQUARE EGGRATE  | ALUMINUM | N/A        | 24X24    | 22x22    | LAY-IN   | CARNES RAPMF       | 2, 3, 4 |
| EG-1                                    | RETURN   | LOUVERED GRILLE | STEEL    | N/A        | 12X12    | SEE PLAN | SURFACE  | CARNES RTLAH       | 1, 2, 4 |
| TG-1                                    | TRANSFER | LOUVERED GRILLE | STEEL    | N/A        | SEE PLAN | SEE PLAN | SURFACE  | CARNES RTLAH       | 2, 4    |

**DIFFUSER NOTES:**

- PROVIDE w/ ADJUSTABLE OPPOSED BLADE DAMPER
- VERIFY ALL DIFFUSERS AND RETURN GRILLE COLORS WITH OWNER AND ARCHITECT
- PROVIDE w/ 22X22 PLENUM BOX.
- ALL DIFFUSERS AND RETURNS LOCATED IN BLACK CEILING SHALL BE FLAT BLACK FINISH.

© 2021

**NEW CULVER'S RESTAURANT**  
**908 E ROOSEVELT RD**  
**WHEATON, IL 60187**  
 County of DUPAGE

*Culver's*  
 Culver Franchising System, Inc.  
 1240 Water Street  
 Prairie du Sac, WI 53578  
 608-843-7880

OWNER: WNA Property, LLC  
 28W260 Calumet Avenue East  
 Warrenville, IL 60555  
 Amy Adams  
 630-532-7300

OLLMANN ERNEST MARTIN ARCHITECTS  
 200 South State Street  
 Belvidere Illinois 61008  
 815-544-7190 Phone

© OEMA  
 All rights reserved; any copying, transmission or disclosure subject to OEMA written approval.

**HVAC PLAN, DIFFUSER SCHEDULE**

Date: 8-27-21  
 Revision:

2020-162  
**M101**

## GENERAL NOTES

- DEVIATIONS FROM THE HVAC PLANS ARE THE RESPONSIBILITY OF THE HVAC CONTRACTOR & WILL NOT RESULT IN ADDITIONAL COSTS TO THE OWNER UNLESS WRITTEN CHANGE ORDERS ARE APPROVED BY THE OWNER.
- ALL WORK TO BE PERFORMED TO STATE CODE & SMACNA GUIDELINES.
- INSTALL UNITS ACCORDING TO MANUFACTURERS GUIDELINES.
- PROVIDE OWNER W/ OPERATION & MAINTENANCE MANUALS & SYSTEM SCHEMATICS.
- CONTRACTOR TO CONFIRM VOLTAGES & PHASES OF EQUIPMENT PRIOR TO INSTALLATION.
- VERIFY ALL EXISTING CONDITIONS PRIOR TO INSTALLATION (DRAWINGS ARE DIAGRAMMATIC IN NATURE & DO NOT REFLECT EXACT LOCATIONS OF EQUIPMENT OR OTHER APPARATUS.)
- PROVIDE SHOP DRAWINGS TO THE ARCHITECT/DESIGNER FOR EQUIPMENT, FANS, REGISTERS, ETC. PRIOR TO PROCUREMENT.
- PROVIDE OWNER W/ COLOR CHOICES FOR SWITCHES & OTHER APPARATUS WHERE APPLICABLE.
- VENT OWNER WATER HEATER AS REQUIRED.
- VENT DRYER THRU SIDEWALL TO EXTERIOR AS REQUIRED. MAINTAIN CLEARANCE FROM INTAKES AS NOTED.
- HANG & SUPPORT MATERIALS SHALL BE INSTALLED THE LATEST EDITION OF THE ASHRAE HANDBOOK OF FUNDAMENTALS.
- MAINTAIN AT LEAST 10 FEET CLEARANCE FROM INTAKES OR WINDOWS ON ALL EXHAUST VENTS.
- TEST, ADJUST, & CALIBRATE CONTROL SYSTEMS AS REQUIRED. PROVIDE SCHEMATICS / DESCRIPTION TO THE OWNER PRIOR TO INSTALLATION.
- INSTALLER RESPONSIBLE FOR FINAL TEST & BALANCING DURING TRAINING WEEK. PROVIDE WRITTEN REPORT BY THIRD PARTY INDEPENDENT TAB CONTRACTOR.
- HVAC CONTRACTOR TO INSTALL #2 GAS W/ 1/4" WATER COLUMN MAX. PER STATE CODE & AGA GUIDELINES (LABEL AS REQUIRED).
- CONTRACTOR TO VERIFY GAS METER CAPACITY W/ LOCAL GAS SUPPLIER.
- VERIFY W/ OWNER EXACT HEATER LOCATION TO AVOID BUILDING FUNCTION INTERFERENCE.
- REPLACE ALL AIR FILTERS PRIOR TO TURNING SYSTEM OPERATIONS OVER TO OWNER.
- HVAC CONTRACTOR IS RESPONSIBLE FOR A COMPLETE & FULLY WORKING SYSTEM.
- DUCT DIMENSIONS LISTED ARE NET FREE - CLEAR INSIDE DIMENSIONS.
- VERIFY DUCT LOCATIONS PRIOR TO FABRICATION. (VERIFY LIMITED AREA FOR DUCTWORK & OTHER APPARATUS.)
- INSULATE DUCT WORK TO SMACNA GUIDELINES & STATE CODES.
- INSTALL VOLUME CONTROL DAMPERS AS INDICATED ON PLANS.
- FLEXIBLE ROUND DUCT WORK NOT TO EXCEED 8 FEET IN LENGTH. AVOID UNNECESSARY TURNS & SLACK.
- VERTICAL RETURN AIR DUCT WORK DOWN FROM RTU'S TO BE LINED FOR SOUND ATTENUATION.
- DUCT WORK TO BE STANDARD GAUGE SHEET METAL (FIBROUS DUCT NOT ALLOWED.)
- INSULATE EXHAUST DUCT FOR EXHAUST FAN TO EXTERIOR TERMINATION.
- COORDINATE WORK W/ GENERAL CONTRACTOR & OWNER TO MAXIMIZE CEILING HEIGHT & AVOID CONFLICTS.
- S/S WALL PANELS FOR THE KITCHEN AREA ARE TO BE FURNISHED AND INSTALLED BY THE HVAC CONTRACTOR. PANELS ARE TO BE 18 GA. TYPE 304 S/S. SEE DETAILS AND LOCATIONS ON THE A103 DRAWING.
- EXHAUST FANS AND FURNACE FANS TO RUN CONTINUOUSLY DURING OCCUPIED MODE.
- NIGHT SET BACK THERMOSTATS TO BE INSTALLED ON ALL HVAC EQUIPMENT.

## NATIONAL ACCOUNT PROGRAM

- LENNOX INDUSTRIES, INC. - ROOFTOP HVAC EQUIPMENT**  
National Accounts Sales: (800) 367-6280 Option #1 lennox.com  
National Account Technical Support: (800) 367-6280 Option #2 lennox.com
- ACCUREX GREENHECK FAN CORPORATION - KITCHEN HOODS, EXHAUST FANS, ROOF CURBS, ANSUL SYSTEMS, ACCESSORIES AND TEST AND BALANCE**  
CONTACT AND JORDAN @ 1-773-220-6020 or arlene.jordan@accurex.com  
Secondary contact: PHILIP KROFT 1-262-327-7860 philip.kroft@accurex.com  
ACCUREX WILL PROVIDE BALANCED AIRFLOW AND FUNCTIONAL CHARACTERISTICS OF THE HVAC AS THEY RELATE TO AIRFLOW AND RESISTANCE ONLY. SERVICES TO BE PERFORMED BY A CERTIFIED NEBB FIRM AND ITS MANAGING GROUP - NATIONAL TAB
- CARNES COMPANY - DIFFUSERS AND GRILLES**  
National Accounts Sales: Chris Strawn @ (800) 840-6411 cstrawn@carnes.com  
National Accounts Rep: Brian Baker @ (800) 840-6411 bbaker@carnes.com

## MECHANICAL EQUIPMENT SPECIFICATIONS

- RTU-1 **LENNOX EMERGENCY SERIES LGH210-H48 W/ PRODIGY CONTROLLER**  
COMBINATION GAS W/ HIGH TWO-STAGE HEATING & ELECTRIC COOLING ROOFTOP UNIT W/ HUMIDITROL & STAINLESS STEEL HEAT EXCHANGER. LOW HEAT 234,000 BTU/HR & HIGH HEAT 360,000 BTU/HR INPUT HEATING CAPACITY. 80.0% EFF. 180,000 NOMINAL COOLING CAPACITY. 12.0 EER. 208 / 230 VOLT, 3 PHASE. 100 MCOOP (NOTIFY ELECTRICAL CONTRACTOR IF BREAKER SIZE CHANGES). 6,150 CFM CONSTANT VOLUME SUPPLY, 1,750 CFM OA MINIMUM. IN ADDITION TO THE OPTIONS LISTED ABOVE, INCLUDE THE FOLLOWING FACTORY INSTALLED OPTIONS: WEATHERPROOF DISCONNECT SWITCH, FACTORY INSTALLED FIELD POWERED GFCI RETURN AIR SMOKE DETECTORS, DRAIN PAN OVERFLOW SWITCH, SINGLE ENTHALPY ECONOMIZER WITH BAROMETRIC RELIEF AND HOODS. INCLUDE THE FOLLOWING FIELD INSTALLED OPTIONS: 2" MERV13 FILTERS, SPARE BELT, DOWN FLOW HYBRID CURB, PVC DRAIN TRAP KIT, REMOTE HUMIDITY SENSOR, MESH HAIL GUARD, LENNOX MODEL CS7500 PROGRAMMABLE THERMOSTAT. **NO SUBSTITUTIONS.**
- RTU-2 **LENNOX EMERGENCY SERIES LGH210-H48 W/ PRODIGY CONTROLLER**  
COMBINATION GAS W/ HIGH TWO-STAGE HEATING & ELECTRIC COOLING ROOFTOP UNIT W/ HUMIDITROL & STAINLESS STEEL HEAT EXCHANGER. LOW HEAT 234,000 BTU/HR & HIGH HEAT 360,000 BTU/HR INPUT HEATING CAPACITY. 80.0% EFF. 210,000 NOMINAL COOLING CAPACITY. 12.0 EER. 208 / 230 VOLT, 3 PHASE. 100 MCOOP (NOTIFY ELECTRICAL CONTRACTOR IF BREAKER SIZE CHANGES). 6,150 CFM CONSTANT VOLUME SUPPLY, 1,700 CFM OA MINIMUM. IN ADDITION TO THE OPTIONS LISTED ABOVE, INCLUDE THE FOLLOWING FACTORY INSTALLED OPTIONS: WEATHERPROOF DISCONNECT SWITCH, FACTORY INSTALLED FIELD POWERED GFCI RETURN AIR SMOKE DETECTORS, DRAIN PAN OVERFLOW SWITCH, SINGLE ENTHALPY ECONOMIZER WITH BAROMETRIC RELIEF AND HOODS. INCLUDE THE FOLLOWING FIELD INSTALLED OPTIONS: 2" MERV13 FILTERS, SPARE BELT, DOWN FLOW HYBRID CURB, PVC DRAIN TRAP KIT, REMOTE HUMIDITY SENSOR, MESH HAIL GUARD, LENNOX MODEL CS7500 PROGRAMMABLE THERMOSTAT. **NO SUBSTITUTIONS.**
- PRV-1 **RESTROOM EXHAUST FAN - REFER TO SHEET M204**
- PRV-2 **GRIDDLE EXHAUST FAN - REFER TO SHEET M202**
- PRV-3 **FRYER EXHAUST FAN - REFER TO SHEET M203**
- EF-1A **MOP ROOM EXHAUST FAN - REFER TO SHEET M204**
- ITEM #49A **GRIDDLE HOOD - REFER TO SHEET M202**
- ITEM #59A **FRYER HOOD - REFER TO SHEET M203**
- ECH-1 **ELECTRIC CEILING HEATER Q-MARK OR EQUAL CDF-548 ELECTRIC CEILING HEATER & CDF RECESSED MOUNTING FRAME, CDF-TR4 TRANSFORMER & WALL MOUNTED THERMOSTAT, 208/240 VOLT SINGLE PHASE = 19.2 AMPS (SUPPLIED AND INSTALLED BY ELECTRICAL CONTRACTOR.)**

## CONTROL NOTES

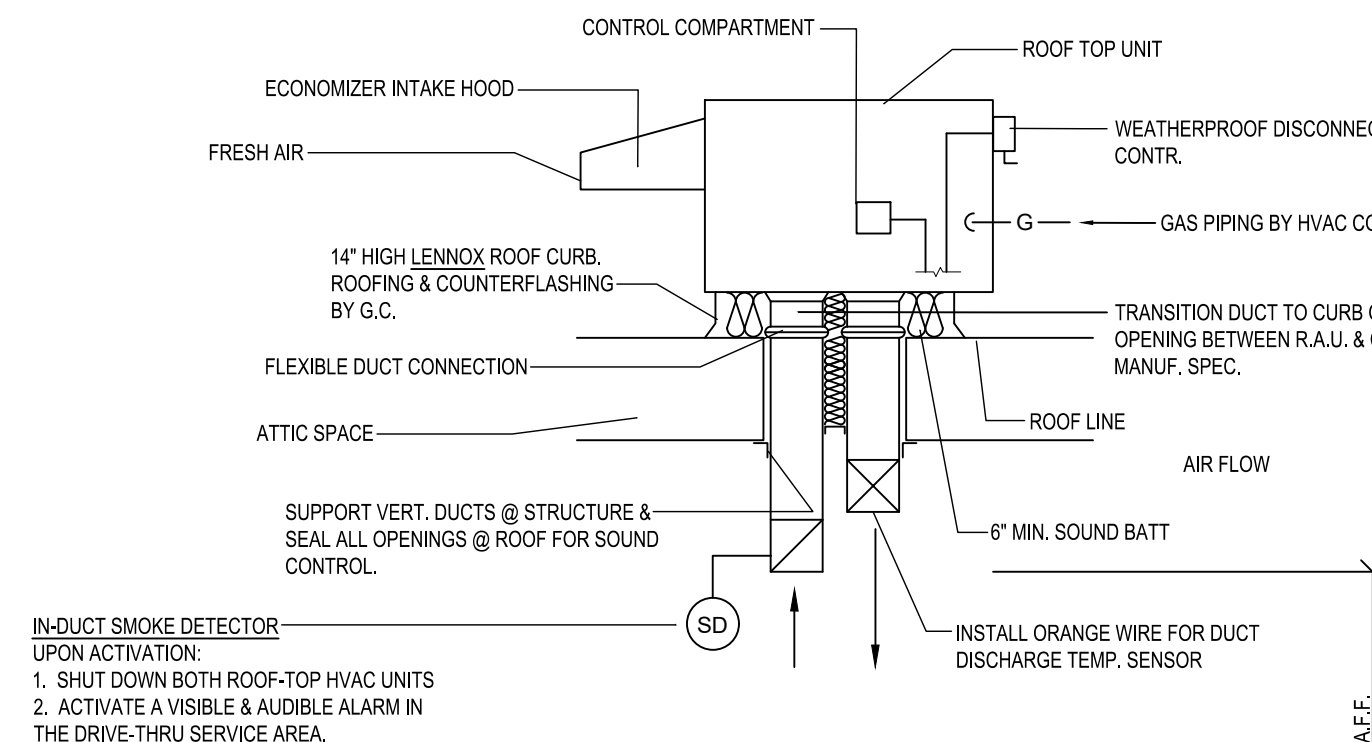
NOTE: KITCHEN HOODS SUPPLIED AND INSTALLED BY HVAC CONTRACTOR

- WIRE RTU-1, RTU-2 TO SHUT-DOWN EXHAUST HOOD FANS TO CONTINUE TO RUN UPON ACTIVATION OF THE ANSUL SYSTEM.
- WIRE RTU-1 & RTU-2 TO SHUT-DOWN UPON ACTIVATION OF ANY IN-DUCT SMOKE DETECTOR.
- OCCUPIED MODE: FANS IN RTU-1 & RTU-2, EXHAUST FANS PRV-1, PRV-2, PRV-3 AND EF-1 TO RUN CONTINUOUSLY.
- UNOCCUPIED MODE: FANS IN RTU-1 & RTU-2 TO RUN ONLY WHEN COOLING OR HEATING IS CALLED FOR.

## TEST & BALANCE NOTES

- ACCUREX WILL PROVIDE BALANCED AIRFLOW & FUNCTIONAL CHARACTERISTICS OF THE HVAC SYSTEM AS THEY RELATE TO AIRFLOW & AIR PRESSURE ONLY. SERVICES TO BE PERFORMED BY A CERTIFIED NEBB FIRM & ITS MANAGING GROUP NATIONAL TAB.
- SERVICES NOT INCLUDED, PULLEY / SHEAVE CHANGES, MOTOR CHANGE OUTS, OR RETURN TRIPS DUE TO DELAYS CAUSED BY JOB INCOMPLETENESS.

| AIR BALANCE TABLE   |             |            |            |                 |
|---|-------------|------------|------------|-----------------|
| EXHAUST AIR FLOW  |             |            |            |                 |
| EQUIPMENT TAG   | SERVICE     | CFM        |            |                 |
| PRV-1   | RESTROOMS   | 375        |            |                 |
| PRV-2   | ITEM #49    | 1,500      |            |                 |
| PRV-3   | ITEM #59    | 1,500      |            |                 |
| EF-1A   | MOP ROOM    | 75         |            |                 |
| TOTAL =   |             | 3,450      |            |                 |
| VENTILATION REQUIRED PER 2018 INTERNATIONAL MECHANICAL CODE |             |            |            |                 |
| EQUIPMENT TAG   | SERVICE     | CFM        |            |                 |
| RTU-1   | DINING ROOM | 1,477      |            |                 |
| RTU-2   | KITCHEN     | 108        |            |                 |
| TOTAL =   |             | 1,585      |            |                 |
| 3,450 > 1,585 -> USE 3,450 CFM FOR OUTSIDE AIR CFM          |             |            |            |                 |
| OVERALL AIRFLOW SUMMARY                                     |             |            |            |                 |
| EQUIPMENT TAG   | SERVICE     | SUPPLY CFM | RETURN CFM | OUTSIDE AIR CFM |
| RTU-1   | DINING ROOM | 6,150      | 4,400      | 1,750           |
| RTU-2   | KITCHEN     | 6,150      | 4,450      | 1,700           |
| TOTAL OUTSIDE AIR CFM =                                     |             |            |            | 3,450           |



## A6 ROOFTOP HVAC UNIT

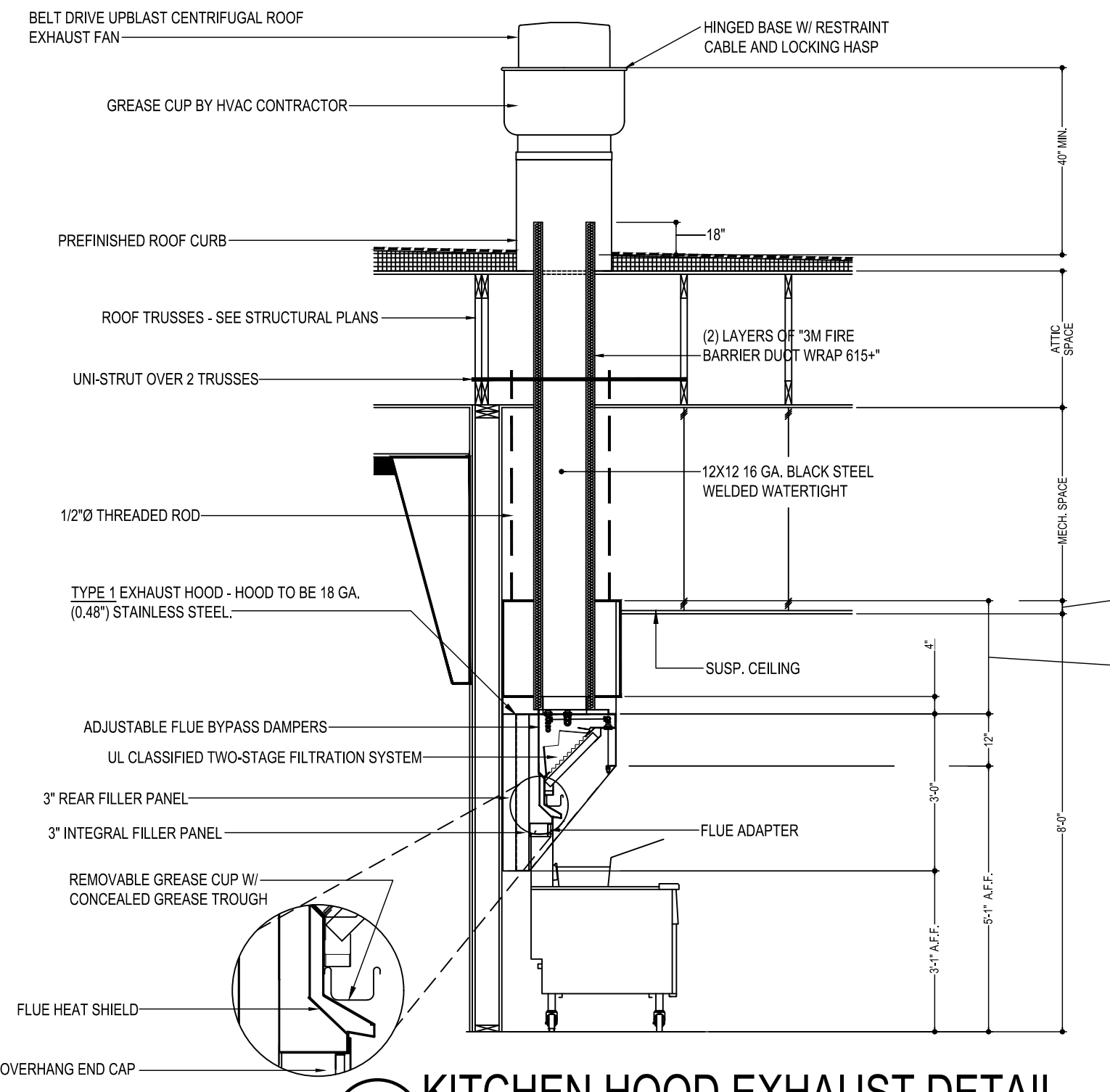
SCALE: N.T.S.

## COOKING APPLIANCE / TYPE 1 HOOD INTERLOCK

- REMOTE SWITCH ON - POWER TO KITCHEN FAN CONTROL CENTER (KFCC)
- KFCC CONTROLS:
  - EXHAUST FANS PRV-2 (GRILLE) & PRV-3 (FRYERS) ARE STARTED.
  - OPENS OUTSIDE AIR INTAKE ON RTU-1 & RTU-2 TO MINIMUM FRESH AIR OPENING.
  - POWER TO OUTLETS #51 (GRILLE) & #60 (FRYERS).
- GRILLE & FRYER CAN BE STARTED.
- IN CASE OF FIRE:
  - SHUNT TRIP BREAK FOR GRILLE & FRYERS OUTLET TRIPS.
  - ANSUL SYSTEM IS ACTIVATED.
  - THE MECHANICAL GAS VALVES CLOSES.
  - SHUT DOWN RTU-1 & RTU-2 & CLOSE OUTSIDE AIR.
  - EXHAUST FANS PRV-2 & PRV-3 CONTINUE TO RUN.

## GREASE HOOD FIRE SUPPRESSION SYSTEM

WET-CHEMICAL EXTINGUISHING SYSTEMS SHALL BE INSTALLED, MAINTAINED, PERIODICALLY INSPECTED AND TESTED IN ACCORDANCE WITH NFPA 17A AND THEIR LISTING.



## C3 KITCHEN HOOD EXHAUST DETAIL

SCALE: N.T.S. VERIFY MOUNTING HEIGHTS W/ OWNER AND GENERAL CONTRACTOR

## LENNOX SETTINGS FOR CULVERS

### KITCHEN UNIT

PARAMETER 3.01 HEAT DELAY NEEDS TO BE SET TO "DISABLED". CONTROL PARAMETER 3.01=0 PG. 92  
ECONOMIZER DIP SWITCHES A56 (EM1) NEED TO BE SET TO "GLOBAL" MODE. 1-ON 2-OFF (PG. 5 FIG 8)  
ECONOMIZER MIN POSITION POTENTIOMETER NEEDS TO BE DETERMINED AND SET BY AIR BALANCER. (PG. 52 FIG 33)  
BOTH THE THERMOSTAT AND THE HOOD FANS MUST BE TIED INTO TB1 TERMINAL 8&9 FOR OCCUANCE CONTROL.  
FRESH AIR TEMPERING (HEATING) CONTROL PARAMETER 6.20=160 °55F\* (KITCHEN IS USUALLY IN COOLING MODE)  
(PARAMETER 6.20 PG 99; X CHARTS PG 109)

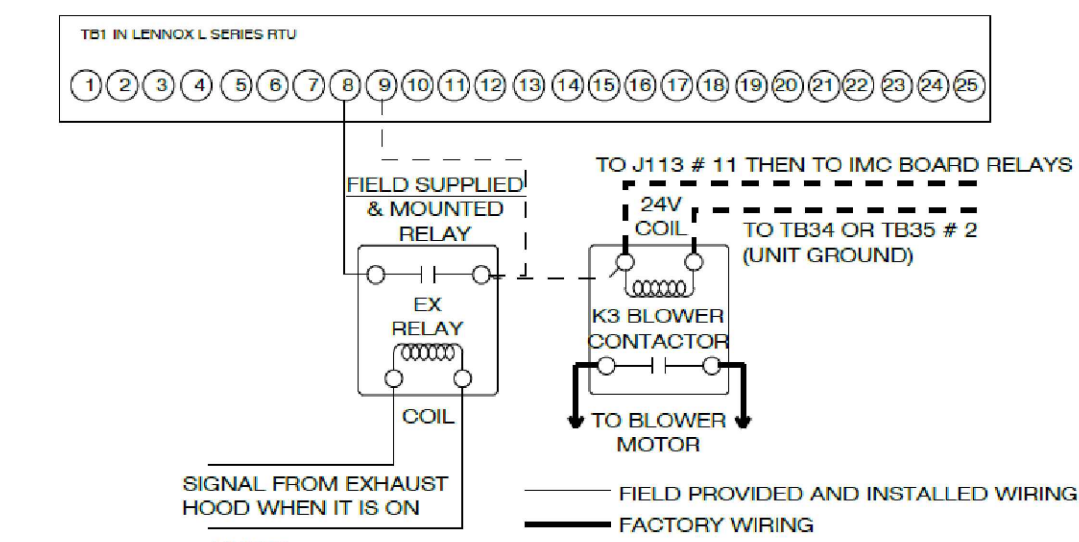
### DINING ROOM UNIT

PARAMETER 3.01 HEAT DELAY NEEDS TO BE SET TO "DISABLED". CONTROL PARAMETER 3.01=0 PG. 92  
ECONOMIZER DIP SWITCHES A56 (EM1) NEED TO BE SET TO ECONOMIZER TYPE PURCHASED/INSTALLED. 1+7 2+7  
(PG 5 FIGURE 8)  
ECONOMIZER MIN POSITION POTENTIOMETER NEEDS TO BE DETERMINED AND SET BY AIR BALANCER. (PG 52 FIGURE 33)  
THE THERMOSTAT MUST BE TIED INTO TB1 TERMINAL 8&9 FOR OCCUANCE CONTROL.  
FRESH AIR TEMPERING (HEATING) CONTROL PARAMETER 6.20=142 °68F\* (ROOM NEUTRAL)  
(PARAMETER 6.20 PAGE 99; X CHARTS PAGE 109)

OTHER PARAMETERS THAT WE DIDN'T SET, BUT ARE PART OF START-UP:

- ROOM SET POINT
- REMOTE SENSOR OPERATION
- TEMP DEADBANDS

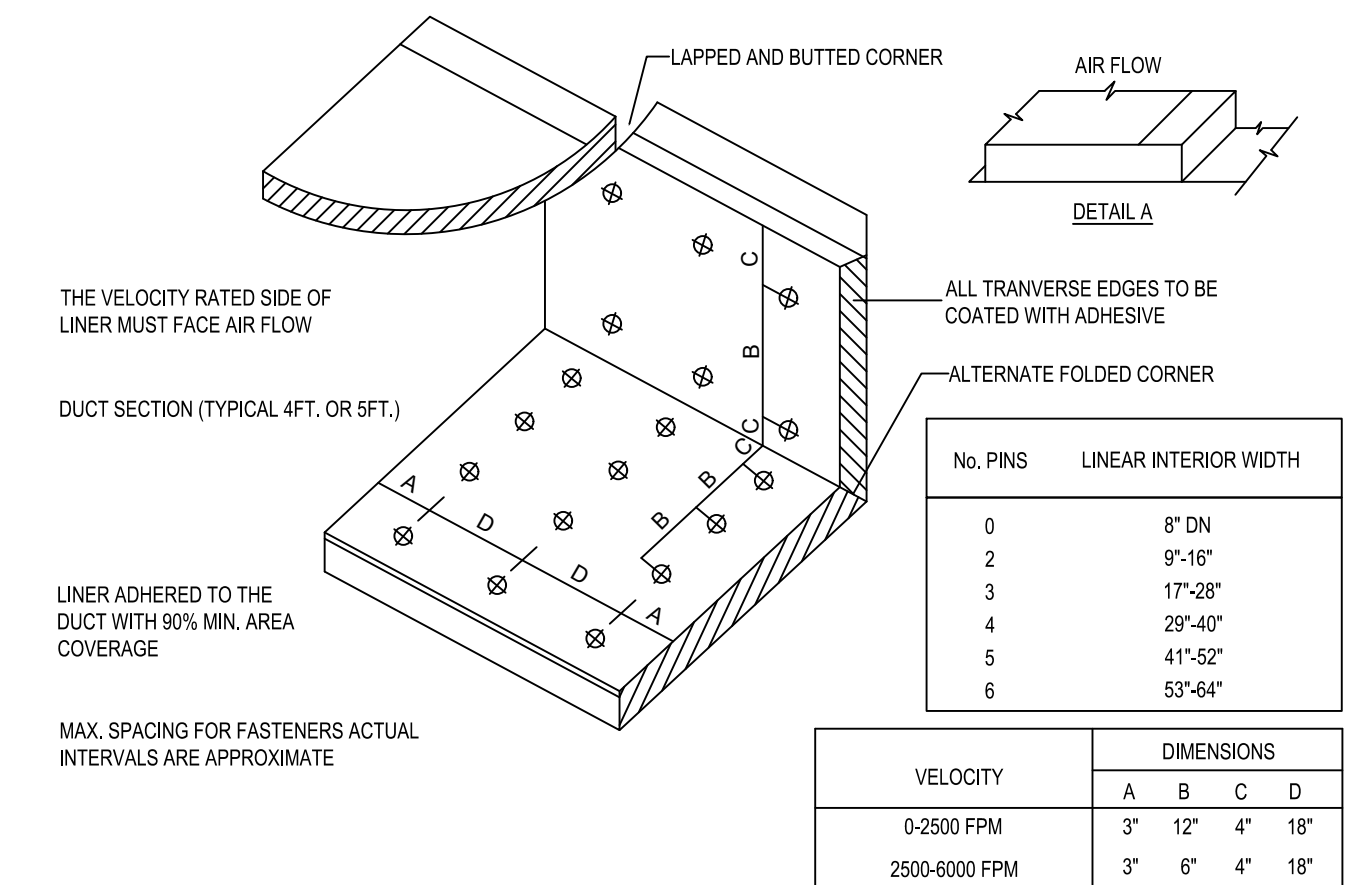
CHECK FOR CORRECT OPERATION AND WIRING OF ALL SENSORS.



- NOTES:
- EX RELAY AND WIRING PROVIDED AND INSTALLED BY THE MECHANICAL CONTRACTOR.
  - WIRING FROM EX RELAY CONTACTS TO THE COIL OF THE K3 BLOWER MOTOR MUST LAND ON THE SAME SIDE AS THE WIRE MARKED J113 # 11.

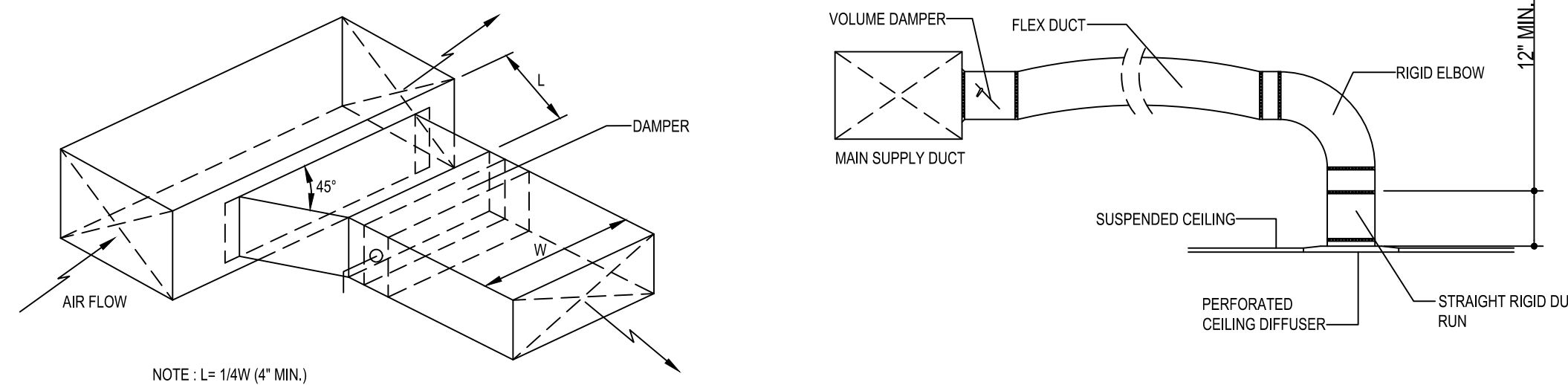
CONTACTS FROM KITCHEN EXHAUST FAN STARTER ENERGIZE OPERATOR COIL OF A FIELD PROVIDED AND FIELD INSTALLED RELAY. THE RELAY CONTACTS ARE USED TO MAKE AND BREAK THE OCCUPIED SIGNAL BETWEEN TERMINALS B AND 9. ON TB1, AND INSURE K3 BLOWER IS ENERGIZED. CREATING THE OCCUPIED CALL WILL MAKE THE ECONOMIZER MINIMUM POSITIONER ACTIVE, THEREBY MEETING FRESH AIR REQUIREMENTS. ECONOMIZER WILL MODULATE DAMPERS BEYOND MINIMUM POSITION SETTING, WHEN OUTDOOR AIR IS DEEMED SUITABLE FOR COOLING. DAMPERS WILL MODULATE TO TARGET 55 DEG F (DEFAULT) DISCHARGE AIR TEMPERATURE WHEN PROVIDING FREE COOLING.

LENNOX CULVERS EXHAUST FAN INTERLOCK FOR STORES WITHOUT MCP CONTROLLER



## E5 DUCT LINER INSTALLATION DETAIL

SCALE: N.T.S. NOTE: USE ONLY ON VERTICAL DROP FROM RTU TO WITHIN 9'-10" A.F.F., DUCT LINER WILL NOT BE PERMITTED ON ANY HORIZ. RUNS.



## C6 BRANCH DUCT TAKEOFF DETAILS

SCALE: N.T.S.

NEW CULVER'S RESTAURANT  
908 E ROOSEVELT RD  
WHEATON, IL 60187  
County of DUPAGE

Culver Franchising System, Inc.  
1240 Water Street  
Prairie du Sac, WI 53578  
608-843-7380

OWNER:  
WNA Property, LLC  
28W260 Calumet Avenue East  
Warrenville, IL 60555  
Amy Adams  
630-532-7300

OLLMANN ERNEST MARTIN ARCHITECTS  
200 South State Street  
Belvidere Illinois 61008  
815-544-7190 Phone

© OEMA  
All rights reserved; any copying, transmittal or disclosure subject to OEMA written approval.

HVAC SCHEDULE & DETAILS

Revision:  
Date: 8-27-21

2020-162  
M201

EQUIPMENT SCHEDULE

| TYPE 1 KITCHEN HOOD |  | MARK: ITEM#49  |   |
|---------------------|--|----------------|---|
| HOOD NO.            | ACCUREX MODEL STYLE / CONFIGURATION              | SECTION LENGTH | WIDTH                                     |
| 1                   | XGEP-66-S SINGLE WALL EXHAUST ONLY LOW PROXIMITY | 64 IN.         | TOP 23 IN FRONT 12 IN BOT 8 IN BACK 36 IN |

| ILLUMINATION DETAILS |                               | GREASE FILTRATION DETAILS |                      |
|----------------------|-------------------------------|---------------------------|----------------------|
| HOOD NO.             | FIXTURE TYPE BULB / LAMP INFO | QTY                       | INTENSITY FT CANDLES |
| 1                    | NONE                          | NA                        | 0 / 0 IN. CC         |

| HOOD SECTION # COLLAR # |             | EXHAUST PLENUM COLLARS |                |
|-------------------------|-------------|------------------------|----------------|
| DISTANCE TO END (IN.)   | WIDTH (IN.) | LENGTH (IN.)           | DIAMETER (IN.) |
| 1.1                     | 32          | 12                     | 12             |

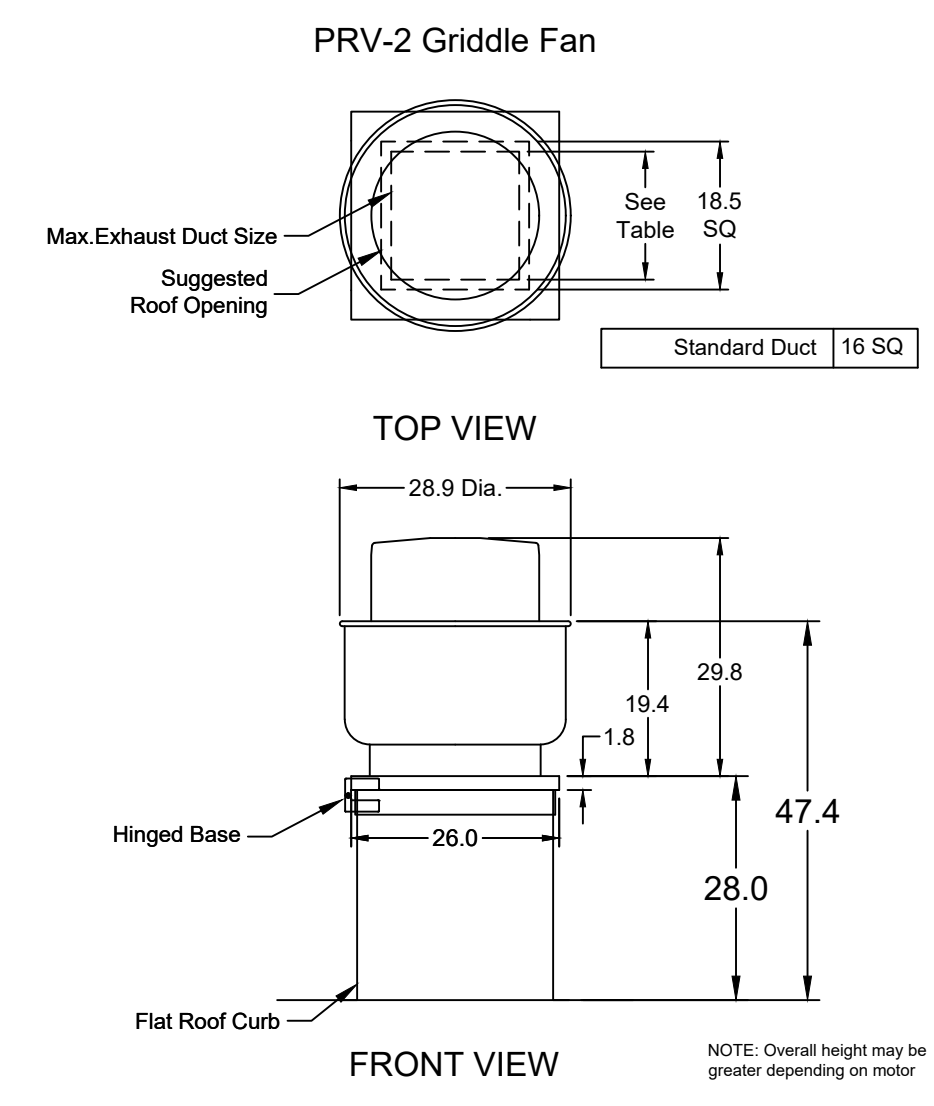
| TOTAL EXHAUST CFM - SECTION 1 |      | VELOCITY (FT/MIN) |              |
|-------------------------------|------|-------------------|--------------|
| 1500                          | 1500 | 1500              | 281 CFM / FT |

| FIRE SUPPRESSION SYSTEM  |                         | MARK: FS FOR GRILL HOOD |              |
|--------------------------|-------------------------|-------------------------|--------------|
| MANUFACTURER / MODEL     | FLOW POINTS             | SUPPLY LINE             | DETECTION    |
| ANSUL R-102 WET CHEMICAL | 6 UTILIZED 11 AVAILABLE | CONTINUOUS              | FUSIBLE LINK |

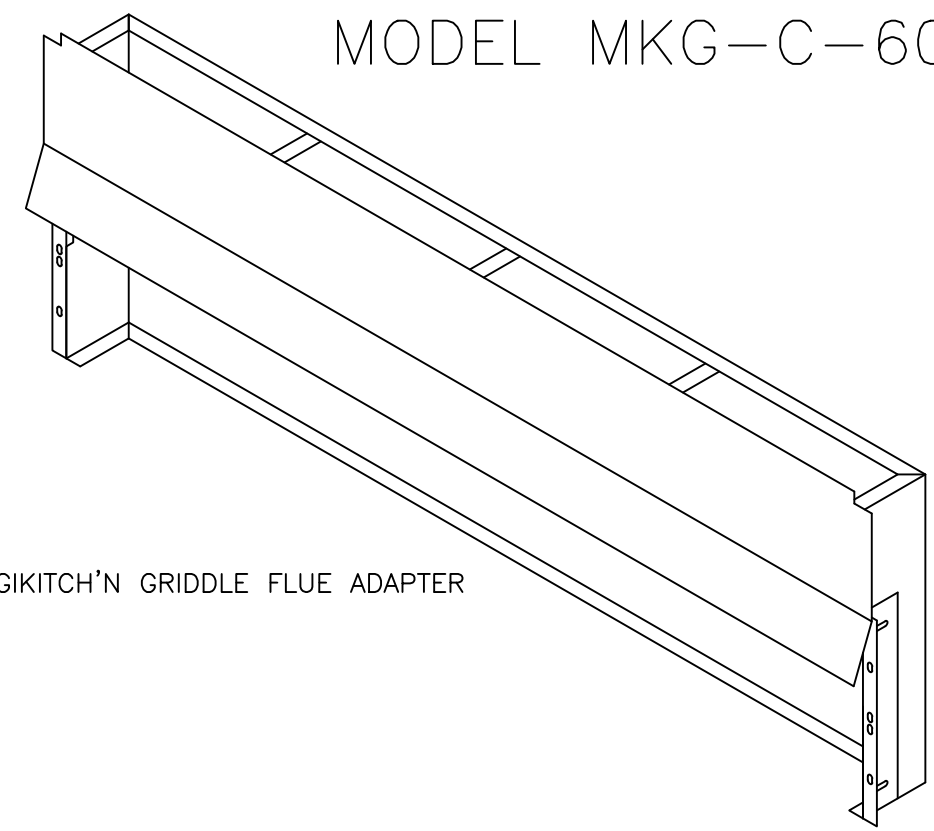
| GRILL HOOD SECTION 1 - (LENGTH 64.0 IN.) - LOW PROXIMITY HOOD - GREASE GRABBER FILTRATION SYSTEM |  |
|--|--|
|--|--|

| Belt Drive Upblast Centrifugal Roof Exhaust Fan |               | MARK: PRV-2  |            |
|---|---------------|--------------|------------|
| Qty   | Accurex Model | Volume (CFM) | SP (in wg) |
| 1   | XRUB-160XP-15 | 1500         | 2.337      |

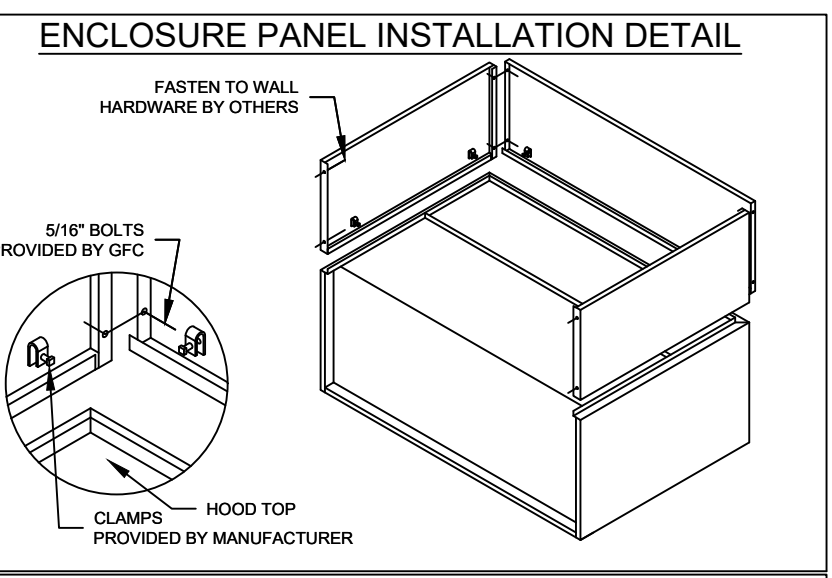
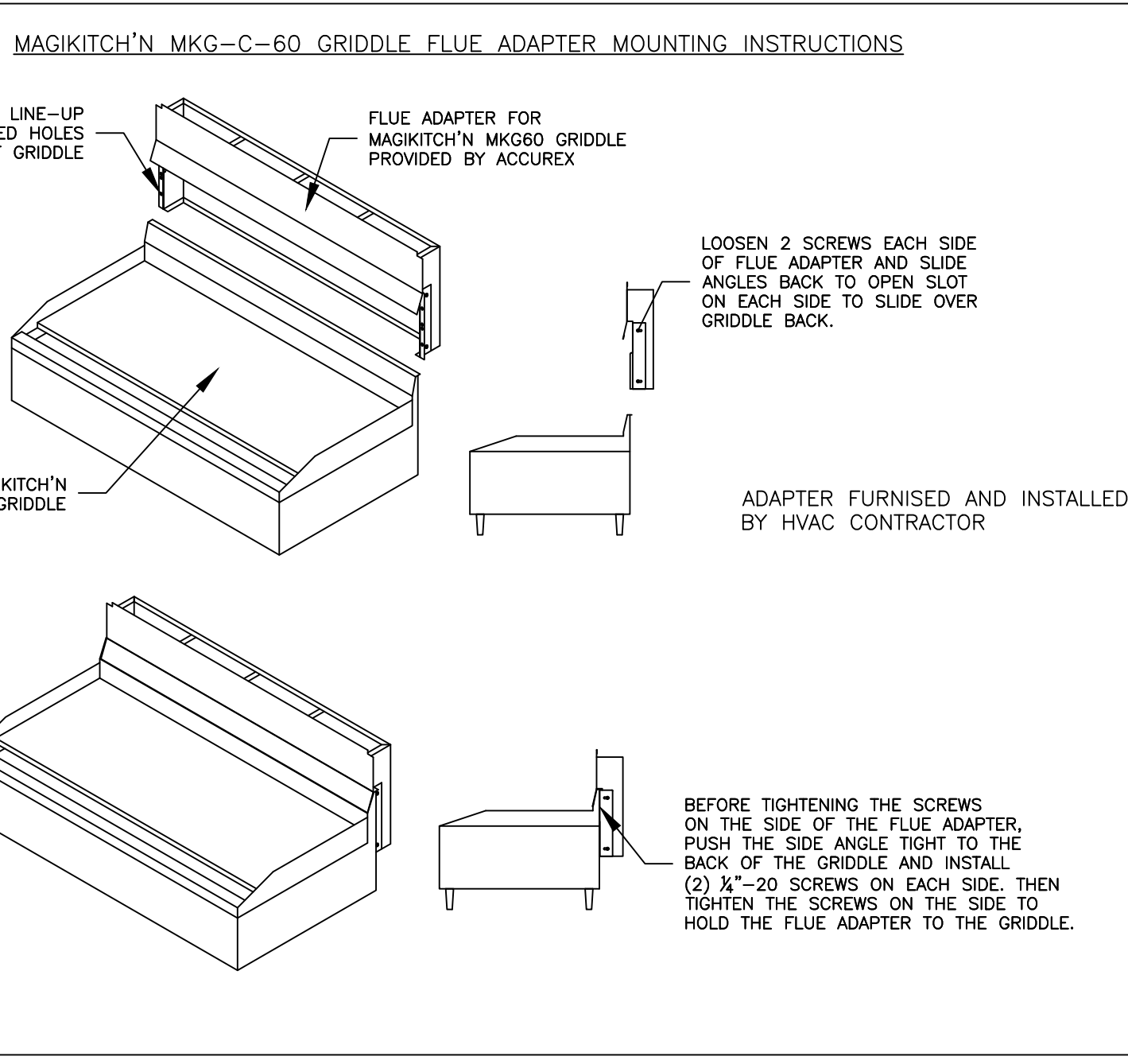
| OPTIONS AND ACCESSORIES  |  |
|--|--|
| UL/GUL 762 Listed - "Power Ventilators for Rest. Exh. Appliances" Switch, NEMA-1, (PN N1TSND-3-30) Toggle, Shipped with unit |  |
| Large curb cap size - 28" Square   |  |
| Roof curb-Galv., GPF-26-G28, Under sized 1.5" Total  |  |
| Hinged Base (Attached)   |  |
| High Temp Curb Seal Rated for Continuous duty at 2000F (Attached)  |  |
| Clean-out Port   |  |
| Grease Trap with Drain Connection (PN 475538)  |  |
| Heat Baffle (Attached)   |  |
| Bearings with Grease Fittings, L10 life of 100,000 hrs (L50 avg. life 500,000 hrs)   |  |



MUST USE WITH MAGIKITCH'N MODEL MKG-C-60

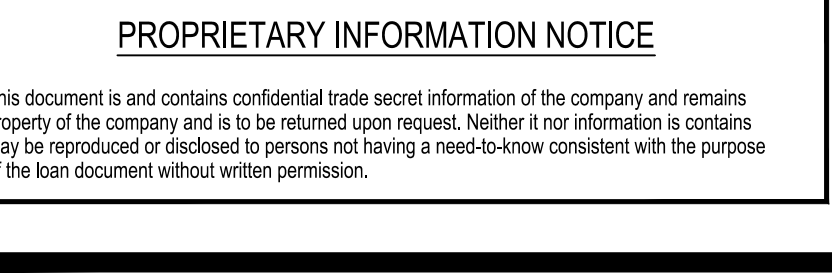
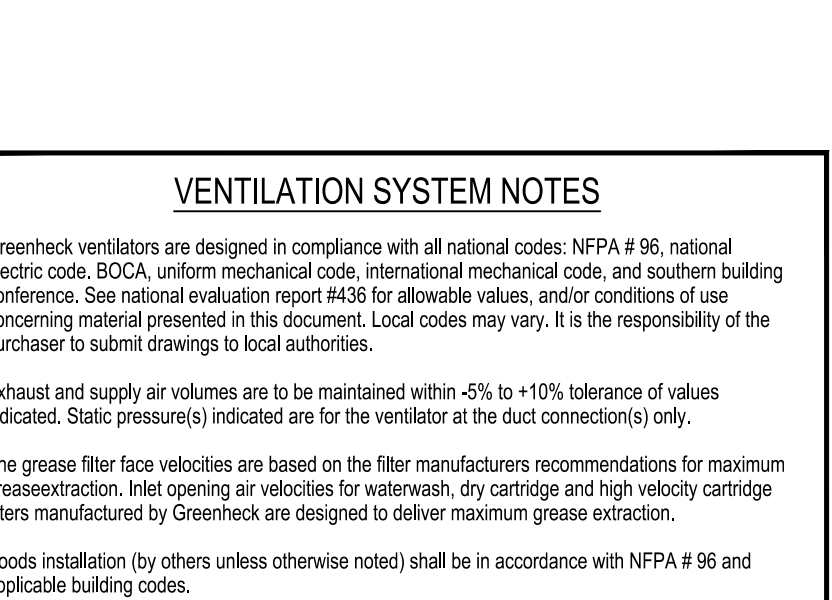
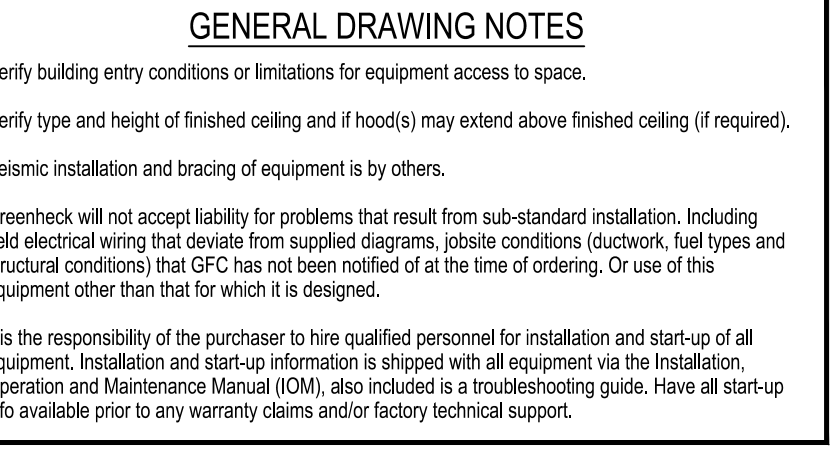
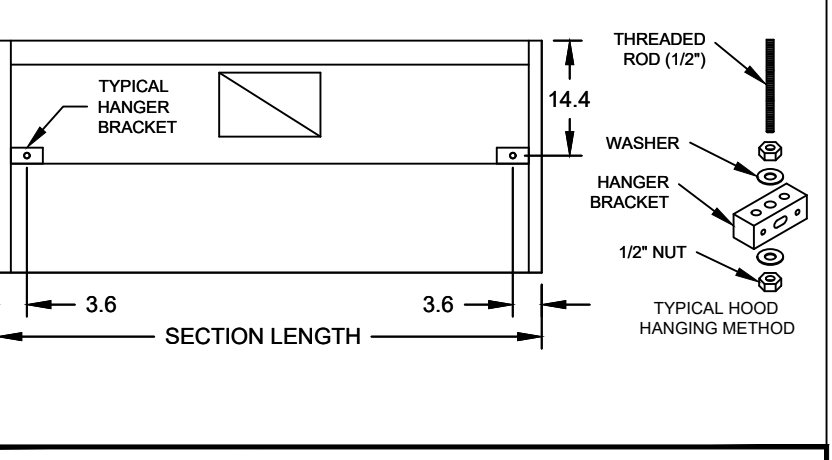
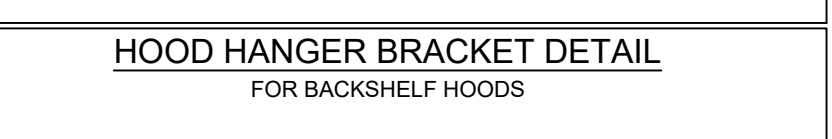


60" MAGIKITCH'N GRIDDLE FLUE ADAPTER

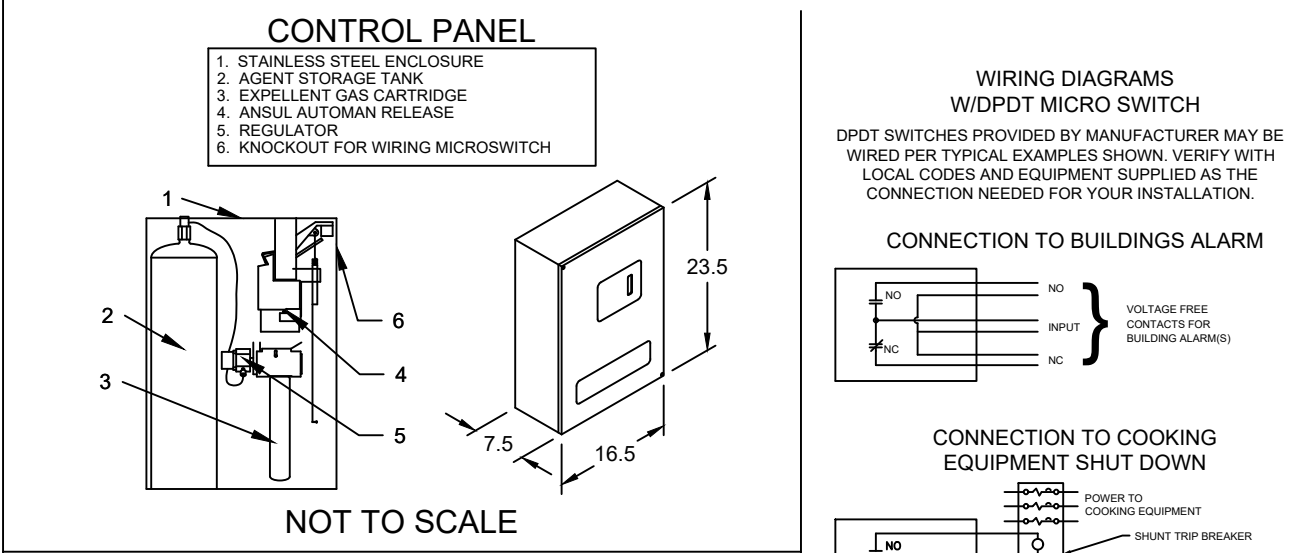


HOOD HANGING HEIGHT FOR FIRE SYSTEMS  
VERIFICATION OF HOOD HANGING HEIGHT ABOVE FINISHED FLOOR (A.F.F.) IS REQUIRED FOR CORRECT PLACEMENT OF FIRE SYSTEM NOZZLES.

- RECOMMENDED HANGING HEIGHT = 60" FROM FINISHED FLOOR TO LOWER FRONT EDGE OF HOOD.
- OTHER HANGING HEIGHT = \_\_\_\_\_ FROM FINISHED FLOOR TO LOWER EDGE OF HOOD.



ANSUL R102 (WET CHEMICAL) FIRE PROTECTION SYSTEM - MODEL FSSC



NOTES:  
Wet chemical fire protection system to be Ansul R-102, designed in compliance with UL 300 requirements.  
-Verification of all cooking equipment make, model and location required for all fire protection systems.  
-All fire system piping is standardly to the right end of the hood unless a wall is located on the right end.  
-Anisul Automan Release to be located within 60" of hood.  
The basic fire system will include the following:  
-Gas shut-off valve, if required, to be supplied by Manufacturer (up to 2" diameter as standard), and installed by a licensed plumber.  
-More than two trips to the jobsite or special transportation, or overnight lodging requirements in remote areas. Normal travel distance is first 50 mi. (80.5 km) from office.  
-Special classes or additional labor for access to security sensitive areas.  
-Installation of gas shut-off valve.  
-Special drawings required to satisfy state or local codes. Plan examination fees, PE or FS Approval Stamp.  
-Union labor, Government labor, or Prevailing wages required for final field hook-up.  
-Any and all electrical components/connections required to shut down fans, shut off device for electric cooking equipment (shunt trip breaker), or activate an alarm system, etc.  
-Any dismantling or reassembly required to gain access to the fire suppression piping located on the top of the hood.  
-Rough-in hidden conduit for remote pull station or gas valve (flush mounted pull station) located on the top of the hood.  
-Installation of more than (1) remote pull stations or distances greater than 20 ft (6.1M).  
-Parts or labor required to correct piping due to cooking equipment changes or deviation from plans. OR Any changes for missing or additional parts other than those indicated on the Fire Suppression Detail.  
CONSTRUCTION COMPLIES WITH NFPA 96

Thank you for your interest in Accurex

**SUBMITTAL**  
Please return one approved print to your Greenheck Representative including signature, date, and answers to all submittal "verify" notes and questions. Fabrication will not begin until after approved drawings are received.

APPROVED AS SUBMITTED  
 APPROVED AS NOTED  
 REJECTED - REVISE AND RESUBMIT

SIGNATURE \_\_\_\_\_ DATE \_\_\_\_\_

REV DESCRIPTION DATE

**ACCUREX**

CULVER'S MASTER TEMPLATE

SCALE 1/24

DATE 8/27/21

C28805A

EQUIPMENT SCHEDULE

| TYPE 1 KITCHEN HOOD |  | HOOD DIMENSIONS |   |        | MARK: ITEM #59      |                   |                  |
|---------------------|--|-----------------|---|--------|---------------------|-------------------|------------------|
| HOOD NO.            | ACCUREX MODEL STYLE / CONFIGURATION              | SECTION LENGTH  | WIDTH   | HEIGHT | GREASE CUP OR DRAIN | HOOD TEMP. RATING | SECTION LOCATION |
| 1                   | XXEP-83-S SINGLE WALL EXHAUST ONLY LOW PROXIMITY | 83 IN.          | TOP 23 IN. FRONT 12 IN. BOT 3 IN. BACK 35 IN. | RIGHT  | 600 DEG F           | 169.0 LBS.        | SINGLE           |

| ILLUMINATION DETAILS |              | GREASE FILTRATION DETAILS |                      |                           |     |        |        |
|----------------------|--------------|---------------------------|----------------------|---------------------------|-----|--------|--------|
| HOOD NO.             | FIXTURE TYPE | QTY                       | INTENSITY FT CANDLES | TYPE / MODEL MATERIAL     | QTY | LENGTH | HEIGHT |
| 1                    | NONE         | NA                        | 0 / 0 IN. OC         | X-TRACTOR STAINLESS STEEL | 5   | 16 IN. | 16 IN. |

| HOOD SECTION # COLLAR #       |  | EXHAUST PLENUM COLLARS |             |              |                |              |               |                   |              |
|-------------------------------|--|------------------------|-------------|--------------|----------------|--------------|---------------|-------------------|--------------|
|                               |  | DISTANCE TO END (IN.)  | WIDTH (IN.) | LENGTH (IN.) | DIAMETER (IN.) | VOLUME (CFM) | S.P. (IN. WC) | VELOCITY (FT/MIN) |              |
| 1.1                           |  | 41.5                   | 12          | 12           | NA             | 1500         | 0.518         | 1500              |              |
| TOTAL EXHAUST CFM - SECTION 1 |  |                        |             |              |                |              |               | 1500              | 217 CFM / FT |

**OPTIONS AND ACCESSORIES**

430 STAINLESS STEEL WHERE EXPOSED  
UL 710 LISTED W/ OUT EXHAUST FIRE DAMPER - UL #R2625  
BACK NON-INTEGRAL AIR SPACE - 3 IN WIDE  
26 IN HIGH CEILING ENCLOSURES - FRONT LEFT RIGHT - FIELD INSTALLED  
FACTORY MOUNTED EXHAUST COLLAR(S)  
THIS HOOD IS PART OF A TEMPERATURE INTERLOCK CONTROL SYSTEM  
INCLUDES PERFORMANCE ENHANCING LIP (PEL) TECHNOLOGY  
STANDING SEAM CONSTRUCTION FOR SUPERIOR STRENGTH  
EMBOSSED STAINLESS STEEL FINISH FOR HIGH CORROSION RESISTANCE  
EQUIPMENT SPECIFIC S/S FLUE ADAPTER

**SPECIAL DESIGN REQUESTS**

SDR #K1100559 - NEW 4L FRYER SYSTEM

**FIRE SUPPRESSION SYSTEM** MARK: FS FOR FRYER HOOD

| MANUFACTURER / MODEL     | FLOW POINTS              | SUPPLY LINE | DETECTION    | MOUNTING                 |
|--------------------------|--------------------------|-------------|--------------|--------------------------|
| ANSUL R-102 WET CHEMICAL | 18 UTILIZED 22 AVAILABLE | CONTINUOUS  | FUSIBLE LINK | RIGHT END REMOTE MOUNTED |

FULL INSTALLATION (INCLUDES PRE-PIPED HOOD(S) WITH DETECTION AND FACTORY COORDINATED INSTALL)  
CHROME SLEEVES FOR FACTORY PROVIDED APPLIANCES DROPS - INCLUDED  
SUPPRESSION AGENT - INCLUDED @ 4 GAL - (2) 3.0 TANK(S)  
GAS VALVE - INCLUDED - MECHANICAL SHUTOFF VALVE, SUPPLIED UP TO 2"  
REMOTE PULL STATION - STANDARD - INSTALLATION AT SINGLE POINT OF EGRESS  
METAL BLOW-OFF CAPS - INCLUDED  
FIRE SYSTEM PERMIT - REQUIRED - FEE INCLUDED  
500' F. FUSIBLE LINK OR AS TESTED AND INSTALLED BY LOCAL INSTALLER PER UL MANUAL

**FIRE SYSTEM PROTECTED HOOD(S) (UL-300) (MARK NAME / SECTION#)**

FRYER HOOD SECTION 1 - (LENGTH 83.0 IN.) - LOW PROXIMITY HOOD

**EQUIPMENT SCHEDULE**

Belt Drive Upblast Centrifugal Roof Exhaust Fan MARK: PRV-3

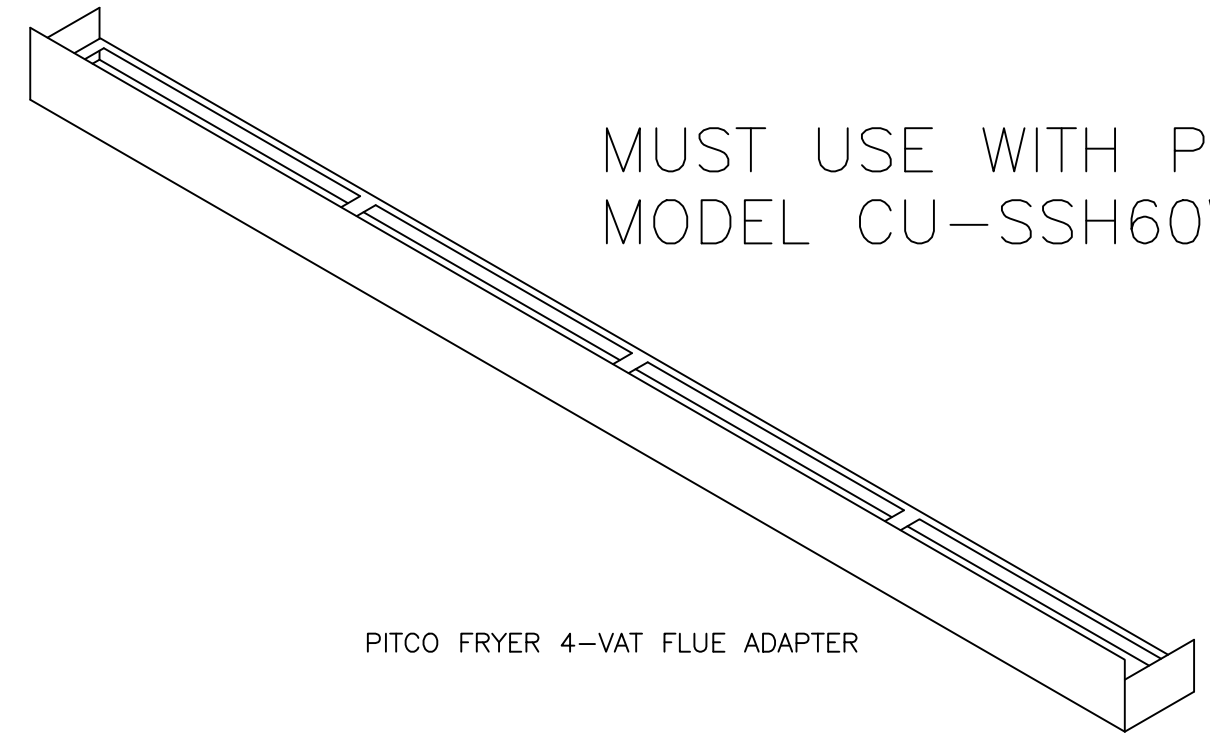
| Qty | Accurex Model | Volume (CFM) | SP (in wg) | FRPM | Operating Power (hp) | Weight (Lb.) | Size (hp) | VICIP    | End. | Motor RPM | Windings | FLA |
|-----|---------------|--------------|------------|------|----------------------|--------------|-----------|----------|------|-----------|----------|-----|
| 1   | XRUB-140-7    | 1500         | 1          | 1377 | 0.5                  | 160          | 0.75      | 208/60/3 | OP   | 1725      | 1        | 3.9 |

**OPTIONS AND ACCESSORIES**

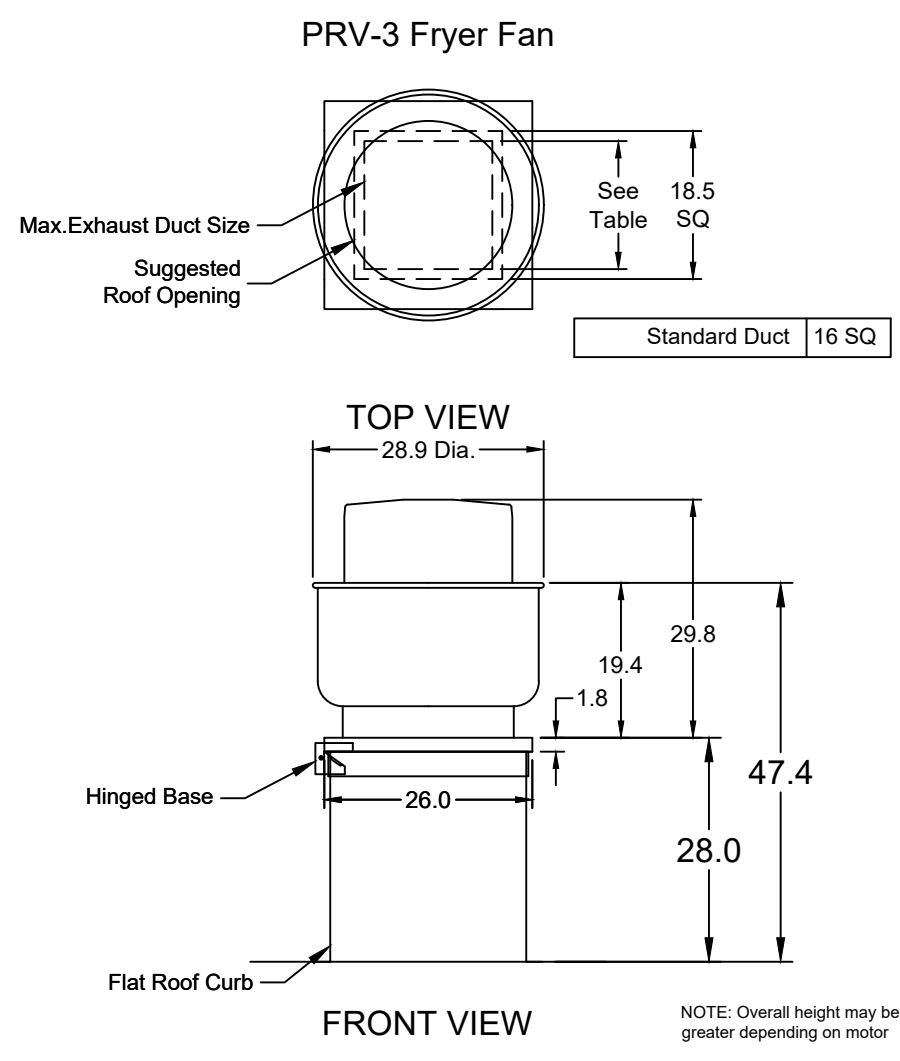
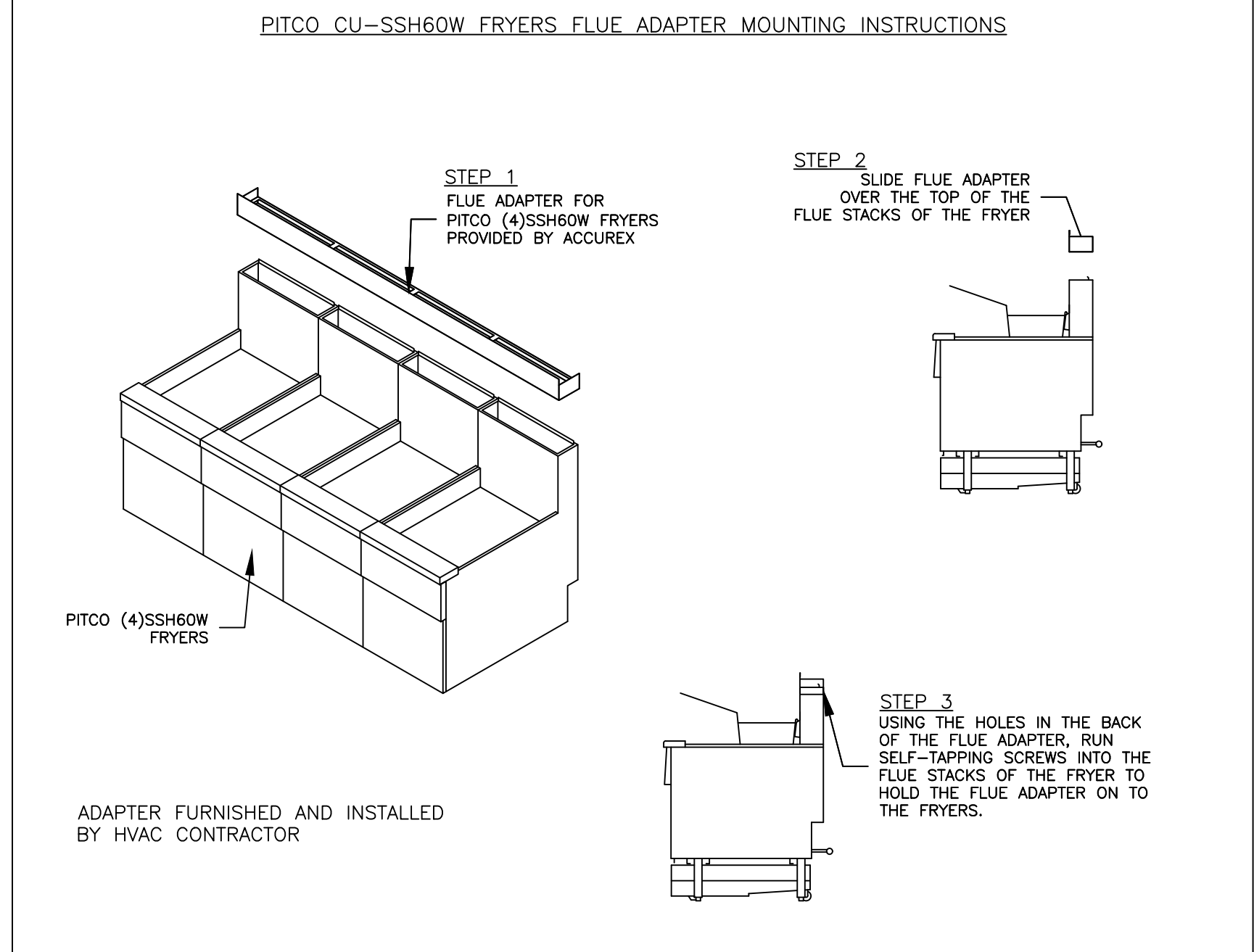
UL/UL72 Listed - "Power Ventilators for Rest. Exh. Appliances"  
Switch: NEMA-1, Toggle, Shipped with unit  
Larger curb cap size - 26" square  
Roof curb-Galv. GPF-26-G28, Undersized 1.5" total  
Hinged Base (Attached)  
Curb Seal (Attached)  
Clean-out Port  
Grease Trap with Drain Connection (PN 475538)  
Heat Baffle (Attached)

4-VAT FRYER BATTERY

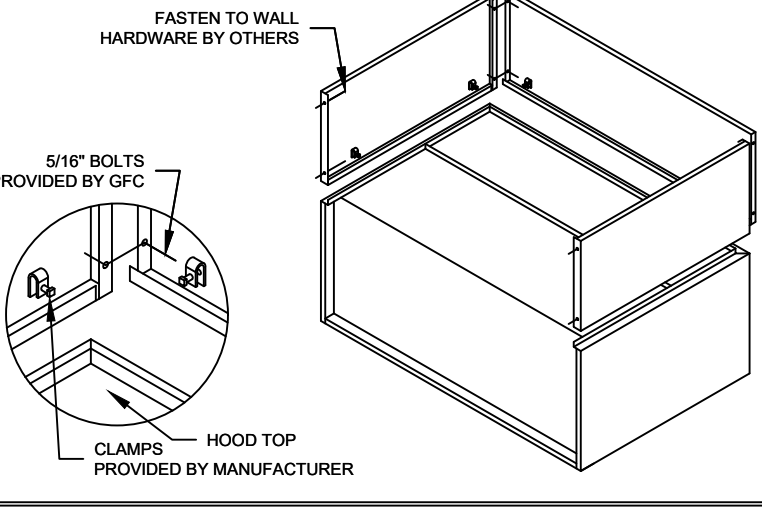
MUST USE WITH PITCO MODEL CU-SSH60W



PITCO CU-SSH60W FRYERS FLUE ADAPTER MOUNTING INSTRUCTIONS



ENCLOSURE PANEL INSTALLATION DETAIL



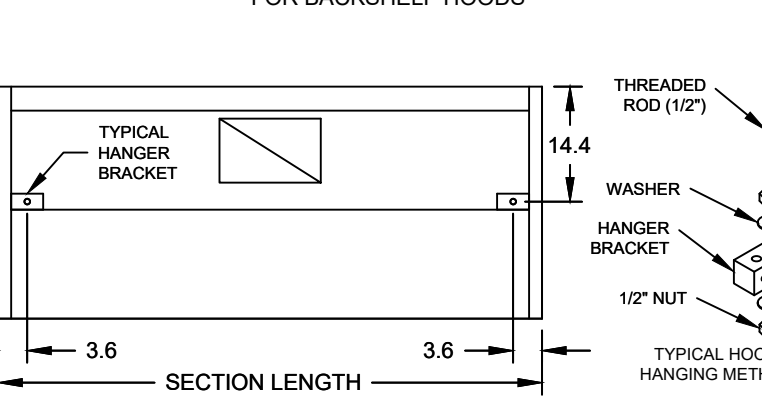
HOOD HANGING HEIGHT FOR FIRE SYSTEMS

VERIFICATION OF HOOD HANGING HEIGHT ABOVE FINISHED FLOOR (A.F.F.) IS REQUIRED FOR CORRECT PLACEMENT OF FIRE SYSTEM NOZZLES.

RECOMMENDED HANGING HEIGHT = 60" FROM FINISHED FLOOR TO LOWER FRONT EDGE OF HOOD.

OTHER HANGING HEIGHT = \_\_\_\_\_ FROM FINISHED FLOOR TO LOWER EDGE OF HOOD.

HOOD HANGER BRACKET DETAIL FOR BACKSHELF HOODS



GENERAL DRAWING NOTES

Verify building entry conditions or limitations for equipment access to space.

Verify type and height of finished ceiling and if hood(s) may extend above finished ceiling (if required).

Seismic installation and bracing of equipment is by others.

Greenheck will not accept liability for problems that result from sub-standard installation. Including field electrical wiring that deviate from supplied diagrams, globe conditions (ductwork, fuel types and structural conditions) that GFC has not been notified of at the time of ordering. Or use of this equipment other than that for which it is designed.

It is the responsibility of the purchaser to hire qualified personnel for installation and start-up of all equipment. Installation and start-up information is shipped with all equipment via the Installation, Operation and Maintenance Manual (IOM), also included is a troubleshooting guide. Have all start-up info available prior to any warranty claims and/or factory technical support.

VENTILATION SYSTEM NOTES

Greenheck ventilators are designed in compliance with all national codes: NFPA # 96, national electric code, BOCA, uniform mechanical code, international mechanical code, and southern building conference. See national evaluation report #436 for allowable values, and/or conditions of use concerning material presented in this document. Local codes may vary. It is the responsibility of the purchaser to submit drawings to local authorities.

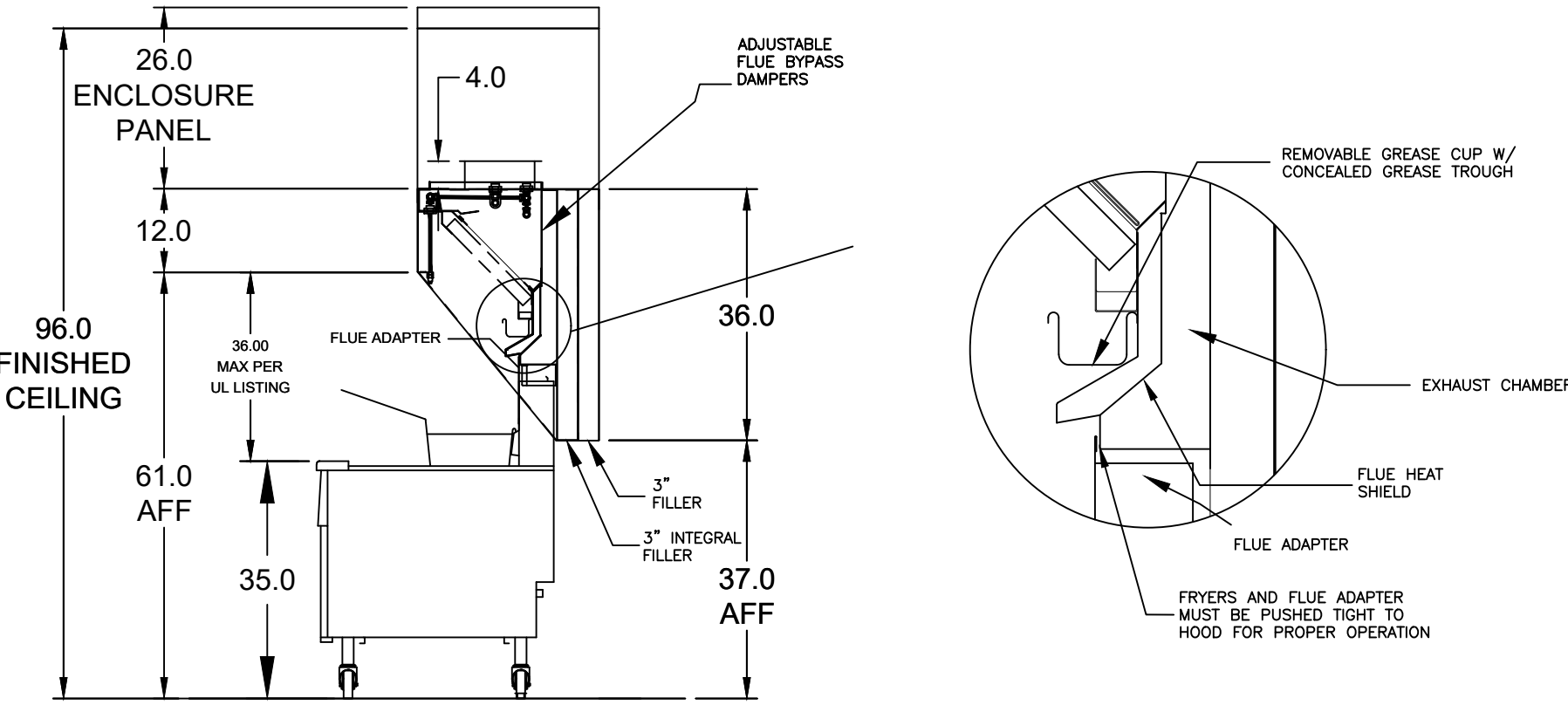
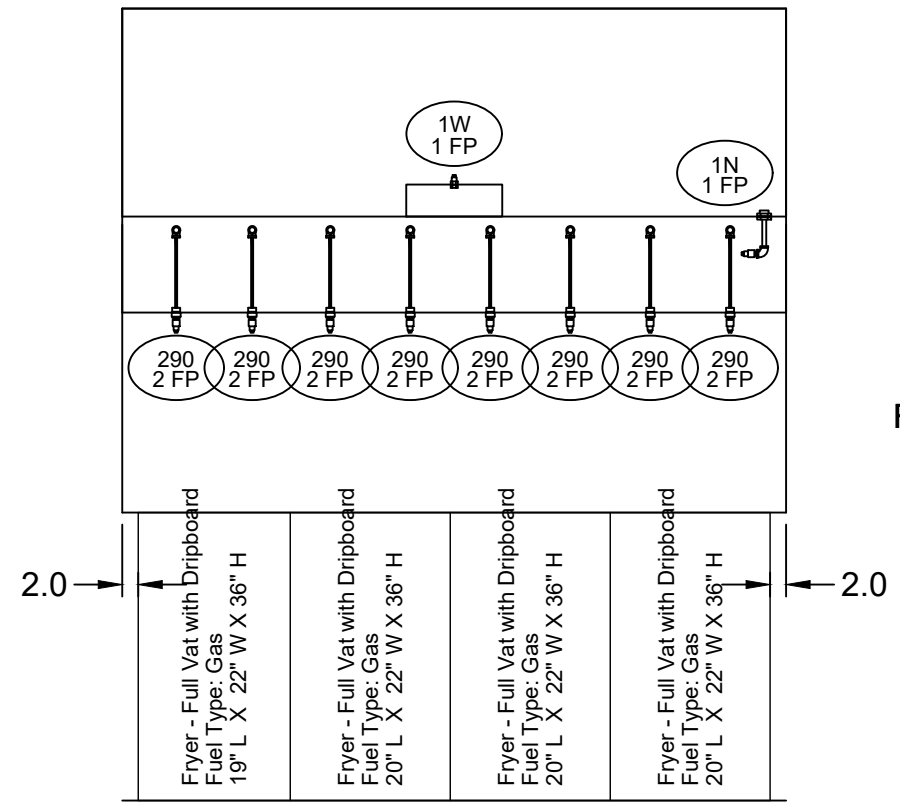
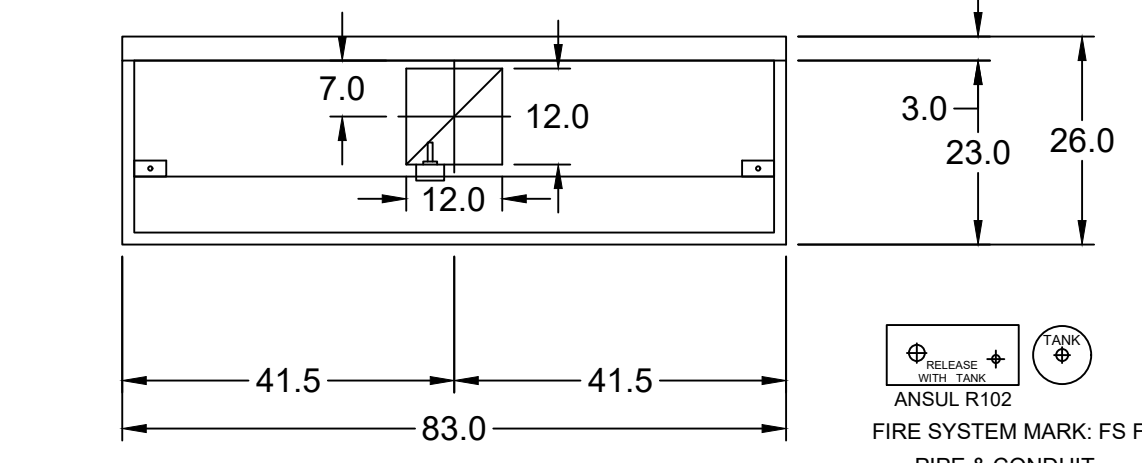
Exhaust and supply air volumes are to be maintained within -5% to +10% tolerance of values indicated. Static pressure(s) indicated are for the ventilator at the duct connection(s) only.

The grease filter face velocities are based on the filter manufacturers recommendations for maximum grease extraction. Inlet opening air velocities for waterwash, dry cartridge and high velocity cartridge filters manufactured by Greenheck are designed to deliver maximum grease extraction.

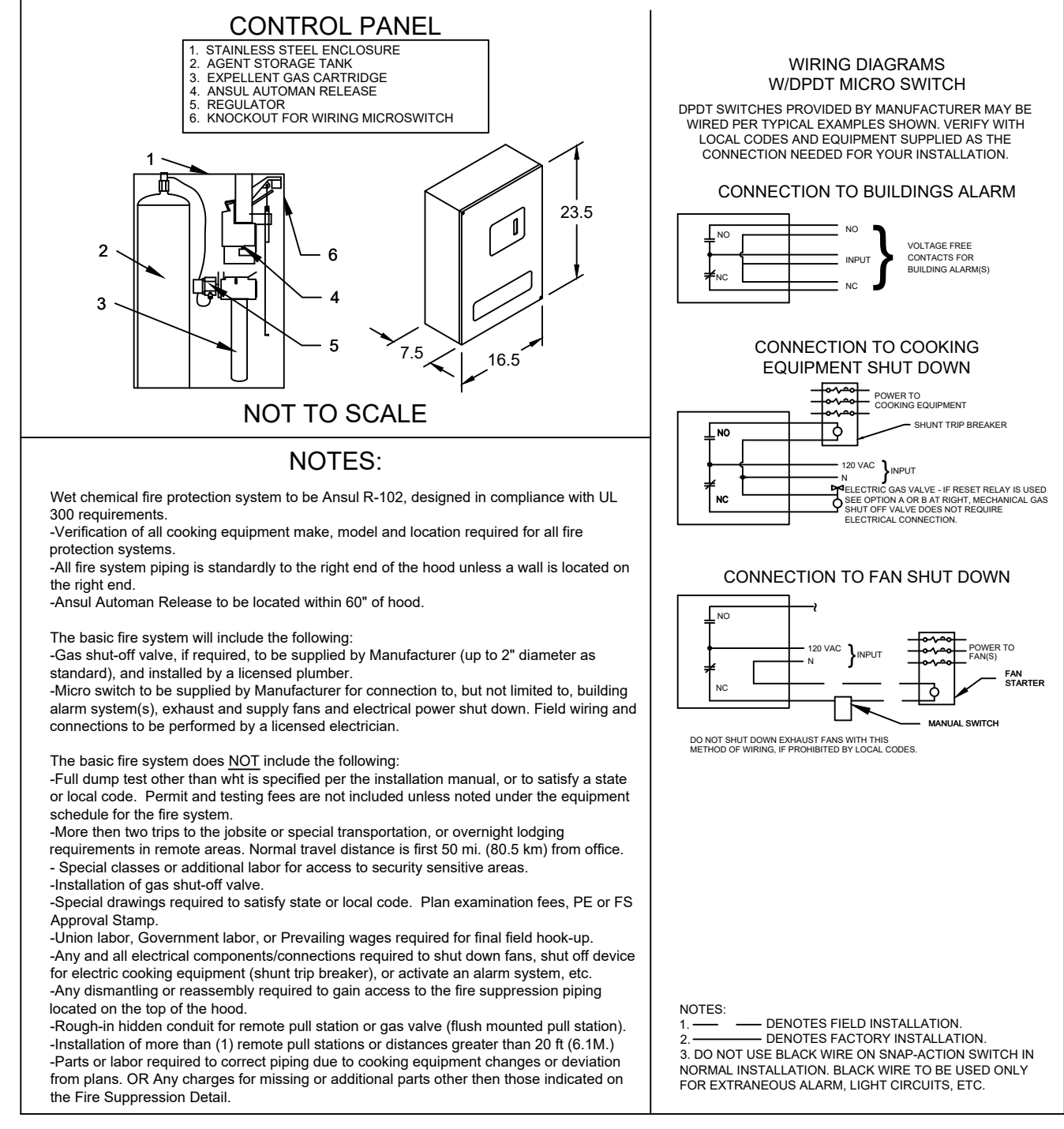
Hoods installation (by others unless otherwise noted) shall be in accordance with NFPA # 96 and applicable building codes.

PROPRIETARY INFORMATION NOTICE

This document is and contains confidential trade secret information of the company and remains property of the company and is to be returned upon request. Neither it nor information it contains may be reproduced or disclosed to persons not having a need-to-know consistent with the purpose of the loan document without written permission.



ANSUL R102 (WET CHEMICAL) FIRE PROTECTION SYSTEM - MODEL FSSC



Thank you for your interest in Accurex

**SUBMITTAL**

Please return one approved print to your Greenheck Representative including signature, date, and answers to all submittal "verify" notes and questions. Fabrication will not begin until after approved drawings are received.

APPROVED AS SUBMITTED  
 APPROVED AS NOTED  
 REJECTED - REVISE AND RESUBMIT

SIGNATURE \_\_\_\_\_ DATE \_\_\_\_\_

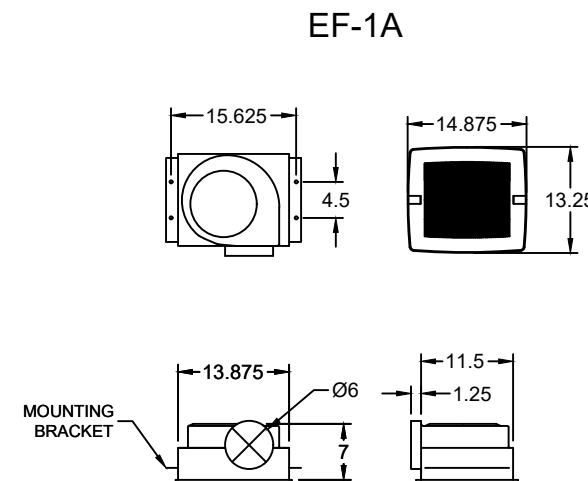
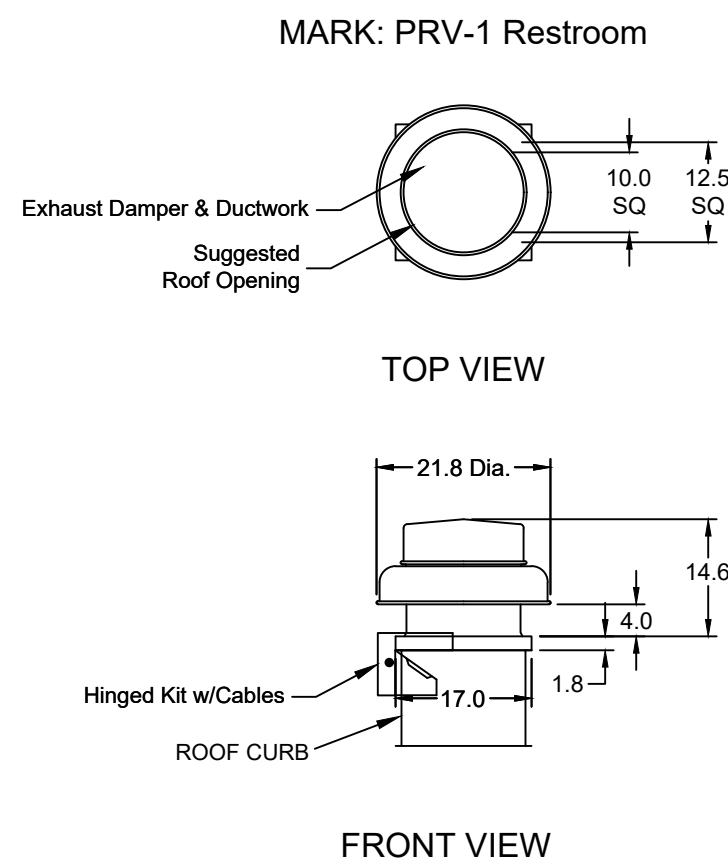
REV DESCRIPTION DATE

**ACCUREX**

CULVER'S MASTER TEMPLATE

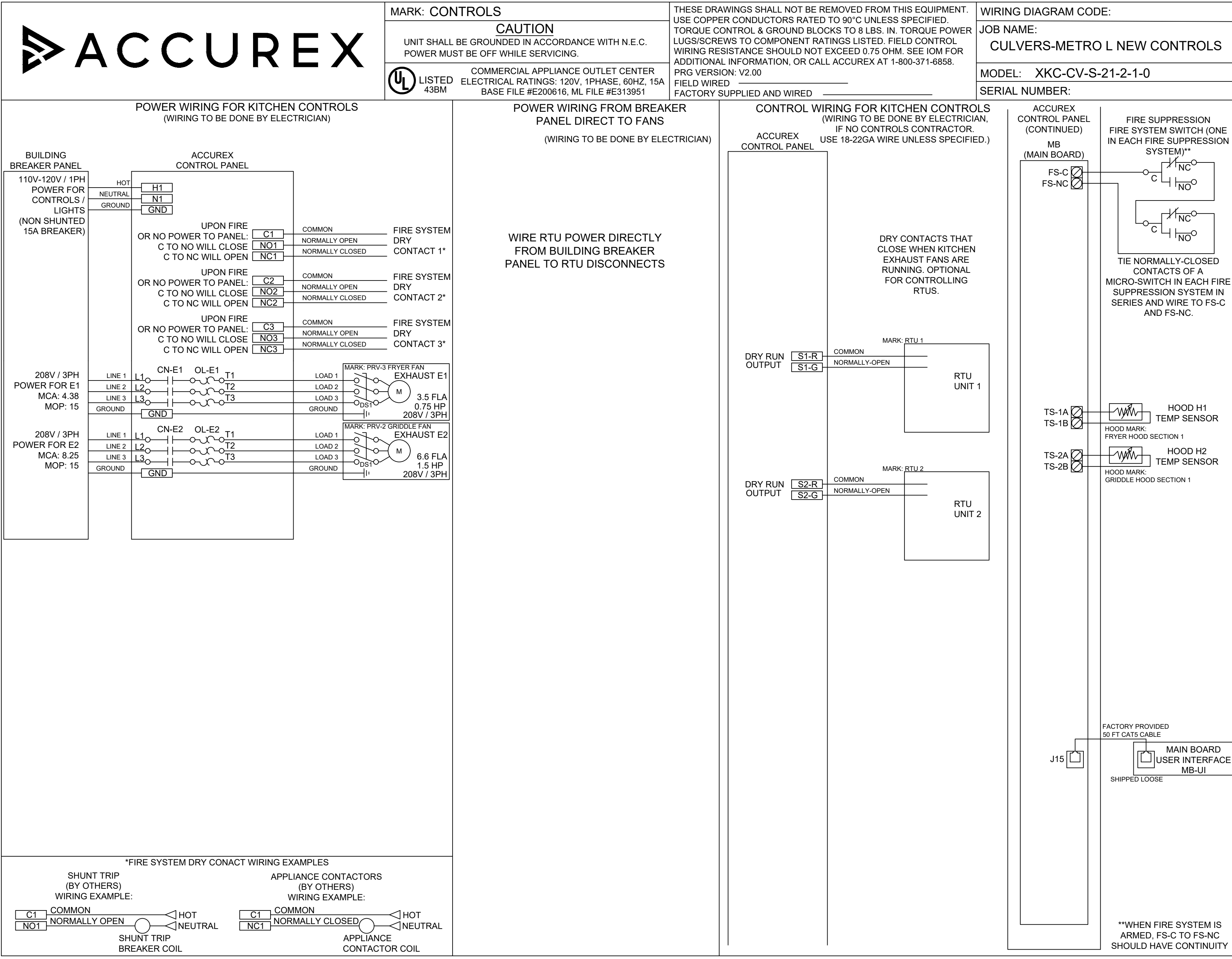
SCALE 1/24

C28805B



| EQUIPMENT SCHEDULE  |                 |                |            |  |
|---|-----------------|----------------|------------|--|
| <b>ELECTRICAL CONTROL BOX</b>   |                 |                |            |  |
| DESCRIPTION / ACCUREX MODEL   | EXHAUST FAN QTY | SUPPLY FAN QTY | MARK: KFCC |  |
| MOUNTING LOCATION (CONTROL PANEL / SWITCHES)  |                 |                |            |  |
| KITCHEN FAN CONTROL CENTER / XFCC   | 2               | 0              | 60 CYCLE   |  |
| SHIP LOOSE / SHIP LOOSE FOR REMOTE MOUNTING   |                 |                |            |  |
| CONTROL PANEL ENCLOSURE - 16 GA 304 STAINLESS STEEL ENCLOSURE (NEMA-1) - DIMENSIONS 12 X 18 X 6 |                 |                |            |  |
| WIRING DIAGRAM # T100-2 - 20  |                 |                |            |  |
| STARTERS PROVIDED IN CONTROL PANEL - QTY 2  |                 |                |            |  |
| 2 POSITION FAN SWITCH - QTY 1   |                 |                |            |  |
| INTEGRATED EXHAUST TEMPERATURE INTERLOCK SYSTEM   |                 |                |            |  |
| -FACTORY MOUNTED EXHAUST TEMPERATURE SENSORS - QTY 2  |                 |                |            |  |
| -COMPLIES WITH INTERNATIONAL MECHANICAL CODE 2006 SECTION 507.2.1.1                             |                 |                |            |  |
| TURN ON EXHAUST IN FIRE   |                 |                |            |  |
| THERMAL OVERLOADS IN CABINET  |                 |                |            |  |
| 1 SPEED FAN(S)  |                 |                |            |  |
| SPECIAL DESIGN REQUESTS   |                 |                |            |  |
| SDR #K0800240 - USE KIT #852883. WIRING DIAG. #Z2905338   |                 |                |            |  |

| EQUIPMENT SCHEDULE   |               |              |            |      |                      |              |           |         |       |           |          |     |
|--|---------------|--------------|------------|------|----------------------|--------------|-----------|---------|-------|-----------|----------|-----|
| Direct Drive Centrifugal Roof Exhaust Fan MARK: PRV-1 Restroom |               |              |            |      |                      |              |           |         |       |           |          |     |
| Qty  | Accurex Model | Volume (CFM) | SP (in wg) | FRPM | Operating Power (hp) | Weight (Lb.) | Size (hp) | V/CP    | Encr. | Motor RPM | Windings | FLA |
| 1  | XRED-095-D    | 375          | 0.5        | 1479 | 0.060                | 43           | 0.0667    | 1156/01 | OP    | 1550      |          | NA  |
| OPTIONS AND ACCESSORIES  |               |              |            |      |                      |              |           |         |       |           |          |     |
| UL/ULC 705 Listed - "Power Ventilators"                        |               |              |            |      |                      |              |           |         |       |           |          |     |
| Switch, NEMA-1, Toggle, Shipped with unit                      |               |              |            |      |                      |              |           |         |       |           |          |     |
| Hinged Curb Kit w/Cables (PN 851018) (Shipped Loose)           |               |              |            |      |                      |              |           |         |       |           |          |     |
| Curb Seal (Attached)   |               |              |            |      |                      |              |           |         |       |           |          |     |
| Damper, WD-100-PR-10X10, Gravity Operated (Loose)              |               |              |            |      |                      |              |           |         |       |           |          |     |
| Solid State Speed Control, Mounted and Wired (PN 5WSSC)        |               |              |            |      |                      |              |           |         |       |           |          |     |
| Roof Curb-Galv., GFI-17-10-G12, Undersized 1.5" total          |               |              |            |      |                      |              |           |         |       |           |          |     |



| EQUIPMENT SCHEDULE                                    |               |              |            |      |                      |              |           |         |       |           |          |     |
|---|---------------|--------------|------------|------|----------------------|--------------|-----------|---------|-------|-----------|----------|-----|
| Ceiling Exhaust Fan MARK: EF-1A Exhaust Fan           |               |              |            |      |                      |              |           |         |       |           |          |     |
| Qty   | Accurex Model | Volume (CFM) | SP (in wg) | FRPM | Operating Power (hp) | Weight (Lb.) | Size (hp) | V/CP    | Encr. | Motor RPM | Windings | FLA |
|   | XCR-B80       | 75           | 0.125      | 855  | 0.01                 | 10           | 0.0       | 1156/01 | OP    | 900       | 1        | NA  |
| OPTIONS AND ACCESSORIES                               |               |              |            |      |                      |              |           |         |       |           |          |     |
| UL/ULC 705 Listed - Electric Fan                      |               |              |            |      |                      |              |           |         |       |           |          |     |
| Solid State Speed Control, 6.0 amp, mounted and wired |               |              |            |      |                      |              |           |         |       |           |          |     |
| Round Hooded Wall cap, (PN WC-6) Shipped loose)       |               |              |            |      |                      |              |           |         |       |           |          |     |
| Designer Grille                                       |               |              |            |      |                      |              |           |         |       |           |          |     |
| Round duct connection                                 |               |              |            |      |                      |              |           |         |       |           |          |     |
| Polypropylene Wheel Material                          |               |              |            |      |                      |              |           |         |       |           |          |     |
| Energy Star Rated                                     |               |              |            |      |                      |              |           |         |       |           |          |     |

**FOR TECHNICAL SUPPORT ON ACCUREX CONTROLS PLEASE CALL ACCUREX TECHNICAL SUPPORT: 1-800-371-6858**  
**SECONDARY CONTACTS ARE: AARON VAN KREY 715.841.8521 TYLER SCHILLING 715.841.8749**

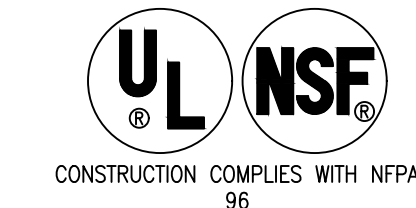
Thank you for your interest in Accurex

**SUBMITTAL**

Please return one approved print to your Greenheck Representative including signature, date, and answers to all submittal "verify" notes and questions. Fabrication will not begin until after approved drawings are received.

APPROVED AS SUBMITTED  
 APPROVED AS NOTED  
 REJECTED - REVISE AND RESUBMIT

SIGNATURE \_\_\_\_\_ DATE \_\_\_\_\_



| REV | DESCRIPTION | DATE |
|-----|-------------|------|
|     |             |      |
|     |             |      |

ACCUREX  
 CULVER'S MASTER TEMPLATE  
 SCALE 1/24  
 C28805C

**VENTILATION SYSTEM NOTES**

Greenheck ventilators are designed in compliance with all national codes: NFPA # 96, national electric code, BOCA, uniform mechanical code, international mechanical code, and southern building conference. See national evaluation report #436 for allowable values, and/or conditions of use concerning material presented in this document. Local codes may vary. It is the responsibility of the purchaser to submit drawings to local authorities.

Exhaust and supply air volumes are to be maintained within -5% to +10% tolerance of values indicated. Static pressure(s) indicated are for the ventilator at the duct connection(s) only.

The grease filter face velocities are based on the filter manufacturers recommendations for maximum grease extraction. Inlet opening air velocities for waterwash, dry cartridge and high velocity cartridge filters manufactured by Greenheck are designed to deliver maximum grease extraction.

Hoods installation (by others unless otherwise noted) shall be in accordance with NFPA # 96 and applicable building codes.

**PROPRIETARY INFORMATION NOTICE**

This document is and contains confidential trade secret information of the company and remains property of the company and is to be returned upon request. Neither it nor information is contained may be reproduced or disclosed to persons not having a need-to-know consistent with the purpose of the loan document without written permission.

© 2021

**NEW CULVER'S RESTAURANT**  
**908 E ROOSEVELT RD**  
**WHEATON, IL 60187**  
**County of DUPAGE**

**Culver's**  
 Culver Franchising System, Inc.  
 1240 Water Street  
 Prairie du Sac, WI 53578  
 608-843-7980

**OWNER:**  
 WNA Property, LLC  
 28W260 Calumet Avenue East  
 Warrenville, IL 60555  
 Amy Adams  
 630-532-7300

**OLLMANN ERNEST MARTIN ARCHITECTS**  
 200 South State Street  
 Belvidere Illinois 61008  
 815-544-7790 Phone

FAN SCHEDULE & DETAILS

© OEMA  
 All rights reserved; any copying, transmittal or disclosure subject to OEMA written approval.

Revision: \_\_\_\_\_  
 Date: 8-27-21

2020-162  
**M204**