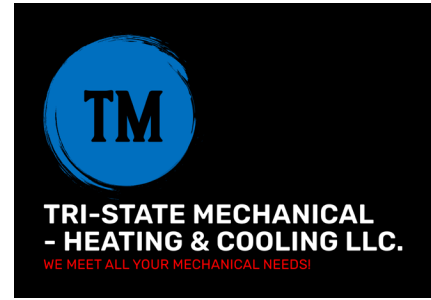


Approved - 9/8/23



SUBMITTAL COVER PAGE

Project #: 1023-1022

Project Name: Pet Supplies Plus – Wilmington, OH

Construction Manager: Engelke Construction Solutions, LLC

Architect: David Ports Architect Inc.

Engineer: William H. Shepardson

Reference: Power Ventilators

Spec. #: 158000

Drawing #: M3.0

Manufacturer: Loren Cook

Supplier: Controlled Air Inc.

Contact Person Name & #: Brian Dougherty 513-981-2742

Print Name: Larry Sawyer

Date#: 9/6/23

X Approved Spec # _____

Approved As Noted

Rejected

Revise and Resubmit

Sign Name: Larry Sawyer



COOK

SUBMITTAL

PROJECT: PET SUPPLIES PLUS

LOCATION: Wilmington, OH

ENGINEER: DPA

CONTRACTOR: Tri-State Mechanical

SUBMITTED BY: Brian Dougherty
Controlled Air
12009 Tramway Dr
Cincinnati, OH 45241

PHONE: 513-981-2742
E-MAIL: brian@controlled-air.com

DATE: 8/8/2023

LOREN COOK COMPANY



Corporate Offices: 2015 E. Dale Street, Springfield, MO 65803 • P.O. Box 4047, Springfield, MO 65808
417.869.6474 • fax 417.869.2520
lorencook.com



COOK



MARK: EF-1

PROJECT: PET SUPPLIES PLUS

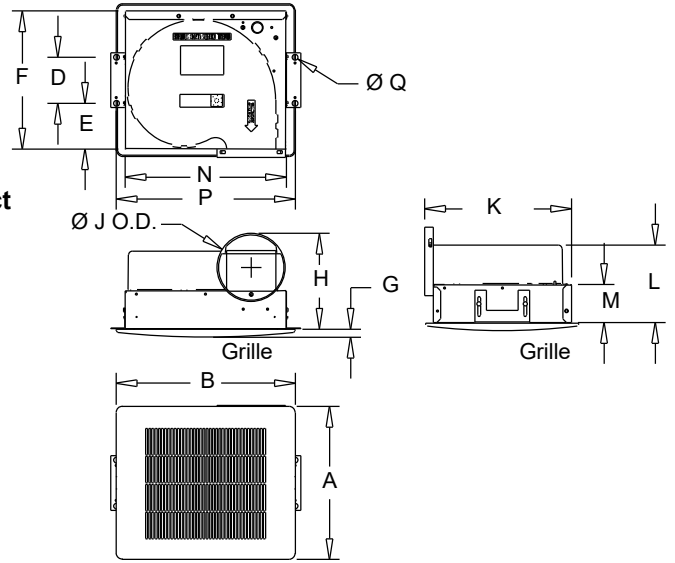
DATE: 8/8/2023

GEMINI

Ceiling Fans
100 Series

STANDARD CONSTRUCTION FEATURES:

Forward curved injection molded polypropylene fan wheel - Injection molded flame resistant fan housing with round outlet duct - 22 ga. galvanized steel inlet box - Isolation mounted motor, mounted to one piece galvanized stamped steel integral motor mount/inlet - Permanently lubricated 2-speed motor with built-in thermal overload protection and disconnect plug - Field wiring compartment with receptacle - Adjustable prepunched mounting bracket - White, high impact styrene injection molded grille - Shipped in ISTA certified transit tested packaging.



Performance

Qty	Catalog Number	Flow (CFM)	SP (inwc)	Nominal RPM	Input Watts	Speed Control
1	GC-146	70	.350	852	32	FSC

Altitude (ft): 1004 Temperature (F): 70

Motor Information

Volts/Ph/Hz	Nameplate Amps
115/1/60	.313

Sound Data Inlet Sound Power by Octave Band

1	2	3	4	5	6	7	8	LwA	dBA	Sones
49	50	53	50	43	37	31	23	50	39	1.5

- Distance from Sound source 5 ft

Accessories:

- FAN SPEED CONTROLLER 5A 120V PREWIRED
- WHITE PLASTIC GRILLE
- INTEGRAL BD DAMPER
- GEMINI ISOLATOR KIT - ISOLATORS

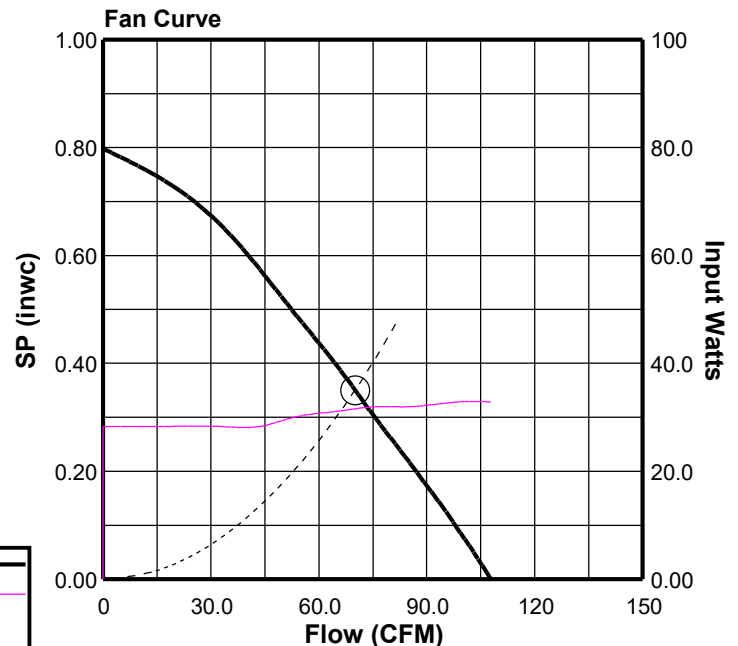
Dimensions (inches)

A Plastic	13-1/4	M	3-1/4
B Plastic	15-1/2	N	14
D	4	P	15-1/2
E	4	Q	1/2
F	12		
G	5/8		
H	8-3/8		
J O.D.	5-15/16		
K	12-3/4		
L	6-11/16		

NOTE: Accessories may affect dimensions shown.

Weight(lbs)***	Shipping	18	Unit	15
----------------	----------	----	------	----

***Includes fan, motor & accessories.



Fan Curve Legend

CFM vs SP	—
CFM vs Watts	- - -
Point of Operation	○
System Curve	- · - · -



COOK



MARK: EF-1
PROJECT: PET SUPPLIES PLUS
DATE: 8/8/2023

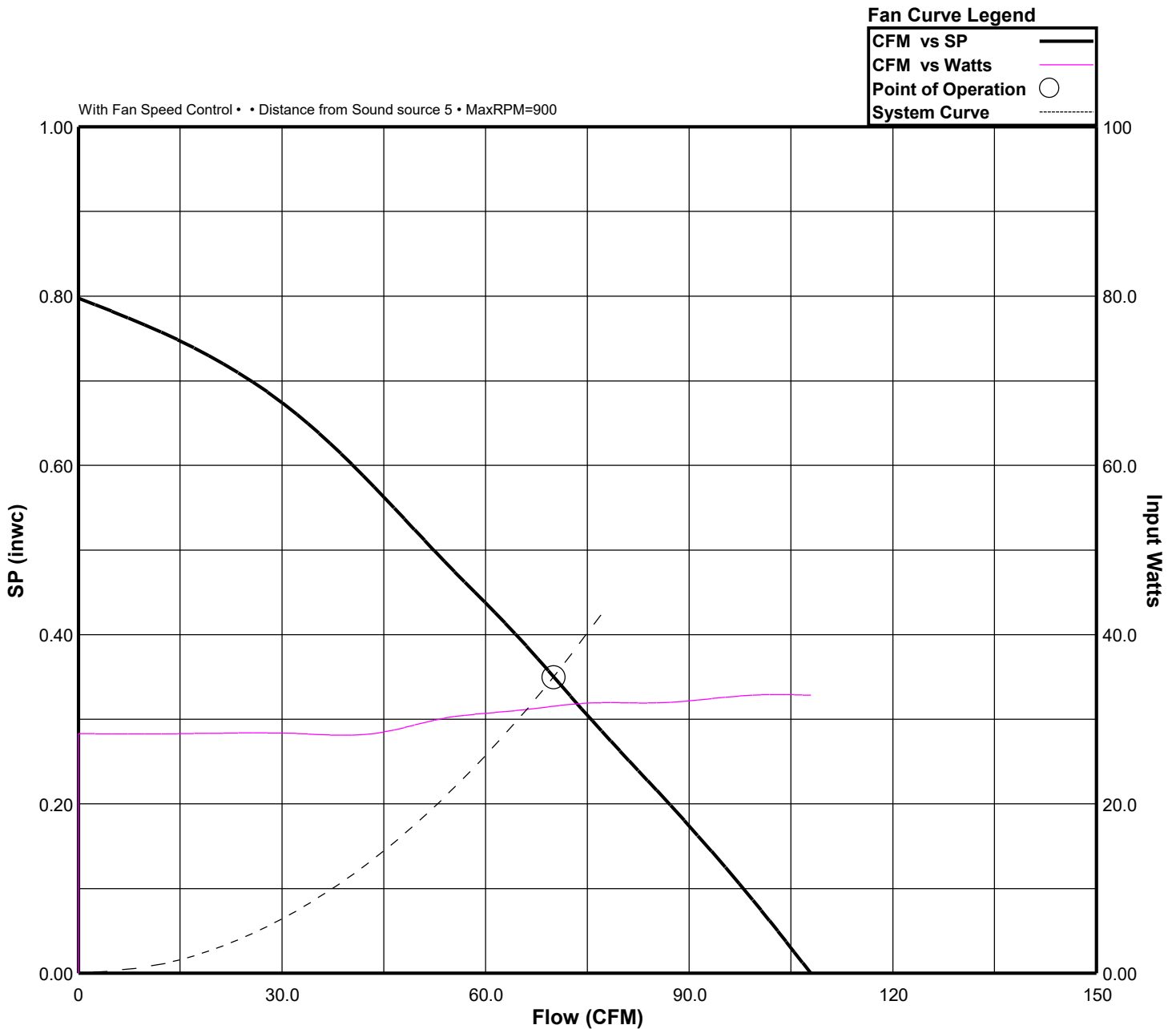
GEMINI

Performance

Catalog Number	Flow (CFM)	SP (inwc)	Nominal RPM	Input Watts	OVEL (fpm)	TSPD (fpm)	SE	Temp (°F)	ALT (ft)
GC-146	70	.350	852	32	357	1701	30%	70	1004

Sound Data Inlet Sound Power by Octave Band

1	2	3	4	5	6	7	8	LwA	dBA	Sones
49	50	53	50	43	37	31	23	50	39	1.5





COOK



MARK: EF-2

PROJECT: PET SUPPLIES PLUS

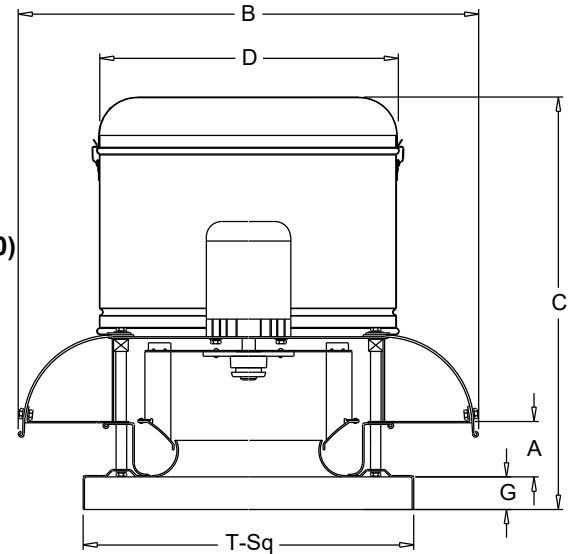
DATE: 8/8/2023

ACE-D

**Downblast Centrifugal Exhaust Ventilator
Roof Mounted/Direct Drive**

STANDARD CONSTRUCTION FEATURES:

All aluminum housing - Backward inclined all aluminum wheel - Two piece top cap with stainless steel quick release latches (sizes 120 - 300)
- Welded curb cap corners - Birdscreen - Permanently lubricated ball bearing motors - Corrosion resistant fasteners - Transit tested packaging.



Performance

Qty	Catalog Number	Flow (CFM)	SP (inwc)	Fan RPM	Power (HP)	FEG	Speed Control
1	135C15D	1500	.350	1173	.199	n/a(<1HP)	FSC

Altitude (ft): 1004 Temperature (F): 70

Motor Information

HP	RPM	Volts/Ph/Hz	Enclosure	TOL
1/2	1550	115/1/60	ODP -SE	Yes

Sound Data Inlet Sound Power by Octave Band

1	2	3	4	5	6	7	8	LwA	dBA	Sones
70	73	76	67	64	61	54	49	71	60	9.8

- Distance from Sound source 5 ft

Accessories:

- DISCONNECT NEMA 1 PRE-WIRED
- BD-14 DAMPER
- ROOF CURB RCG 18 13.5H -C+T+N
- FAN SPEED CONTROLLER 10A 120V PREWIRE

Dimensions (inches)

A	1-15/16
B O.D.	28-7/16
C	28-11/16
D O.D.	20-3/8
G	2
T Sq.	20
Roof Open. Sq.*	15-1/2

NOTE: Accessories may affect dimensions shown.

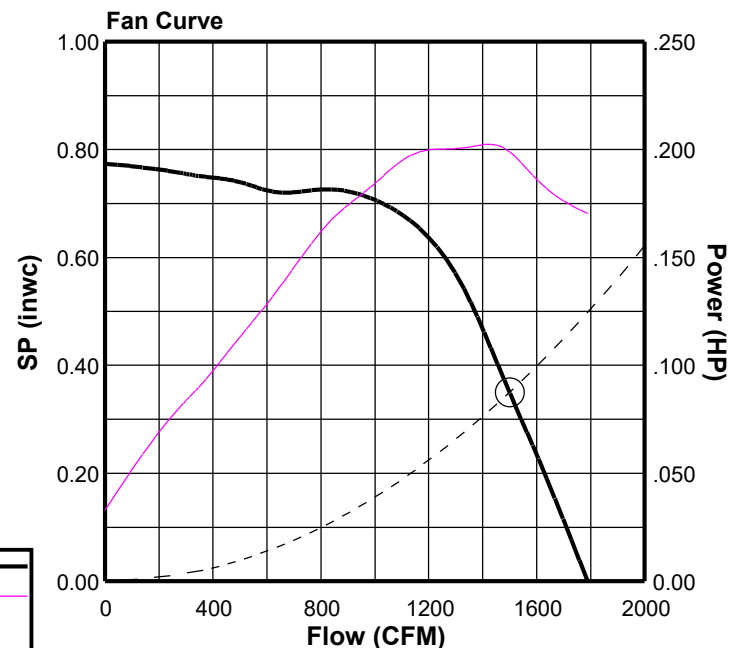
Weight(lbs)***	Shipping	89	Unit	73
----------------	----------	----	------	----

* Roof opening size for curbs supplied by Cook only.

***Includes fan, motor & accessories.

Fan Curve Legend

CFM vs SP	—
CFM vs HP	—
Point of Operation	○
System Curve	-----





COOK



MARK: EF-2

PROJECT: PET SUPPLIES PLUS

DATE: 8/8/2023

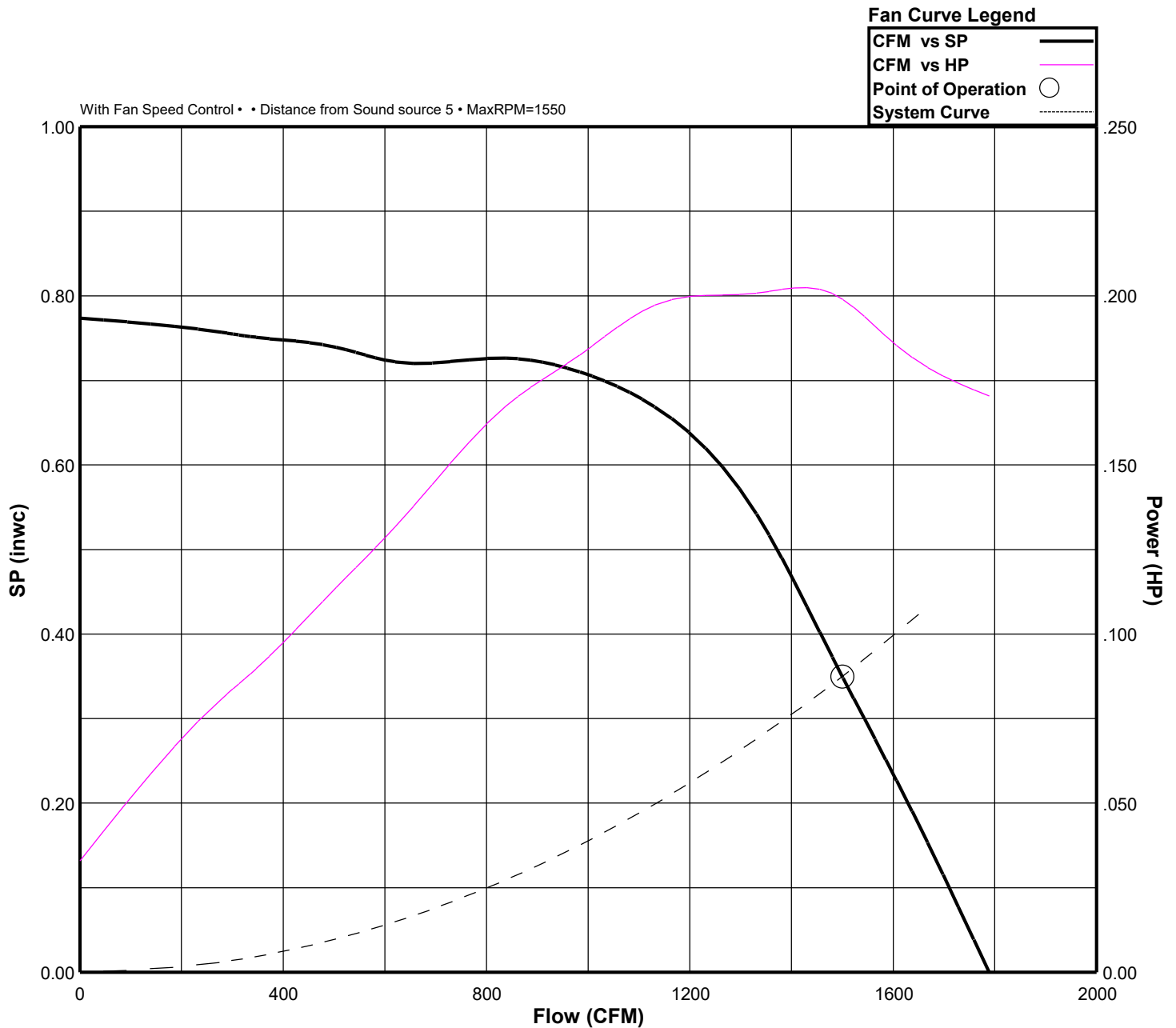
ACE-D

Performance

Catalog Number	Flow (CFM)	SP (inwc)	Fan RPM	Power (HP)	FEG	OVEL (fpm)	TSPD (fpm)	SE	Temp (°F)	ALT (ft)
135C15D	1500	.350	1173	.199	n/a(<1HP)	1246	4145	42%	70	1004

Sound Data Inlet Sound Power by Octave Band

1	2	3	4	5	6	7	8	LwA	dBA	Sones
70	73	76	67	64	61	54	49	71	60	9.8





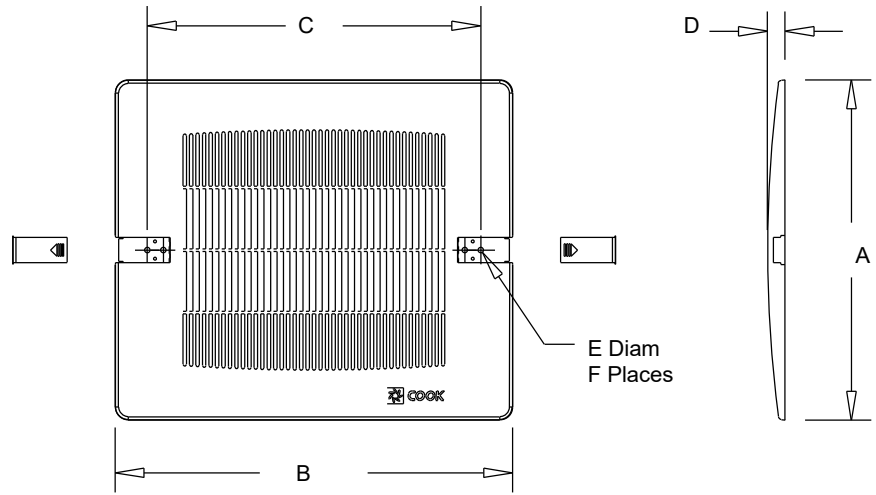
COOK

PROJECT: PET SUPPLIES PLUS

DATE: 8/8/2023

GEMINI

PLASTIC GRILLE



Dimensions (inches)

Mark	Qty	Description	A	B	C	D	E Diam	F Places
EF-1	1	WHITE PLASTIC GRILLE	13-1/4	15-1/2	13	1/4	1/4	4



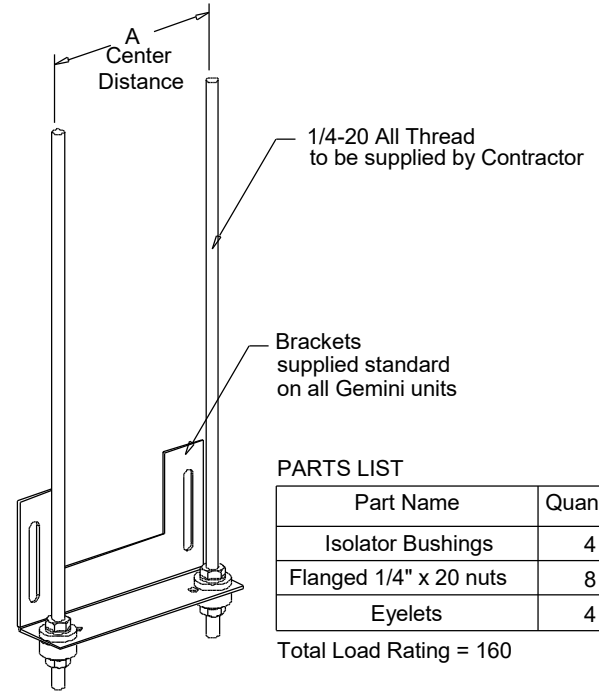
COOK

PROJECT: PET SUPPLIES PLUS

DATE: 8/8/2023

GEMINI

**Gemini Isolator Kit
GIK
Rubber In Shear**



Dimensions (inches)

Mark	Qty	Description	Part #	A
EF-1	1	GEMINI ISOLATO	GIK	4



BD

Gravity Backdraft Damper

STANDARD CONSTRUCTION FEATURES:

.020 Aluminum blades - .060 aluminum frame -
Aluminum hinge pins - Nylon bushings.

Notes:

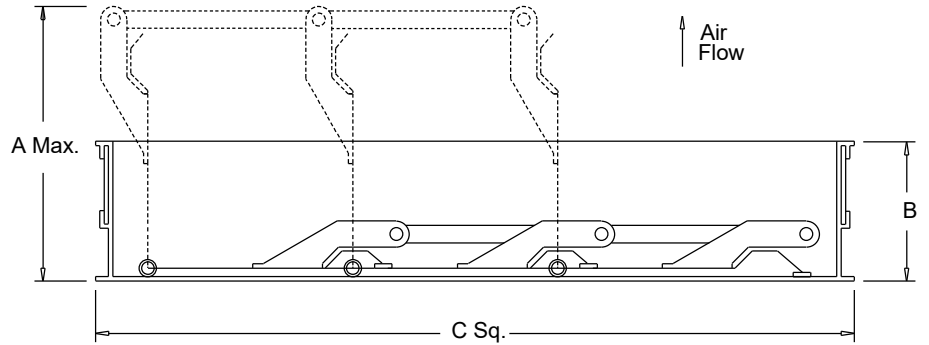
Max. operating temperature 200 Deg F (95 Deg C).

Max. discharge velocity 2000 fpm.

Sizes 36 thru 60 are shipped as 2 panels.

Sizes 66 and 78 are shipped as 6 panels.

These may require assembly.



Dimensions (inches)

Mark	Qty	Description	A Max.	B	C Sq.	# Panels
EF-2	1	BD-14 DAMPER	5-3/16	1-7/8	13-3/4	1



RCG

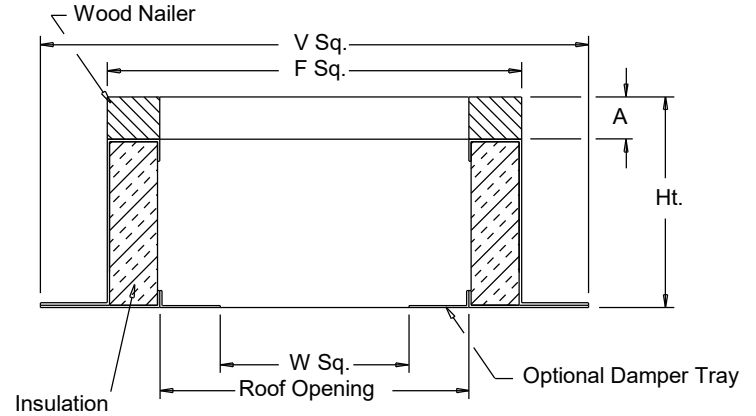
Galvanized Steel Roof Curb

STANDARD CONSTRUCTION FEATURES:

18 gauge galvanized steel - 1-1/2",
3 lbs. density thermal and acoustical
insulation - Continuously welded corners -
Wood nailer.

Options:(As noted below*)

- 1) No wood nailer (deduct 1-1/2" for actual height).
- 2) Damper tray.
- 3) Liner.
- 4) Gasket on wood nailer.
- 5) Lorenized coating.
- 6) Enamel coating.
- 7) Burglar bars.



Dimensions (inches)

Mark	Qty	Description	Ht	Options*	A	F Sq.	V Sq.	W Sq.	Roof Opening
EF-2	1	RCG 18	13.5	2;	1-1/2	18-1/2	22-1/2	11-3/4	15-1/2



FSC

Fan Speed Controls

STANDARD CONSTRUCTION FEATURES:

PRODUCT DESCRIPTION - Through the "Quadrac" integrated semi-conductor device it is now possible to offer this system with many advantages. Fewer semi-conductor parts mean greater reliability and the passivation process used in the manufacture of the semi-conductor insures long life.

Printed circuit construction eliminates wiring difficulties and guarantees workmanship.

All of these factors serve to offer the most important of all features - quality.

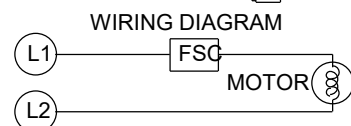
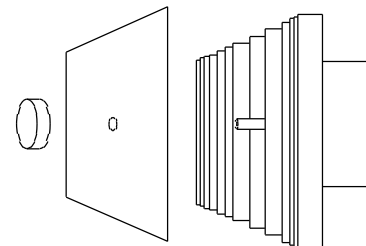
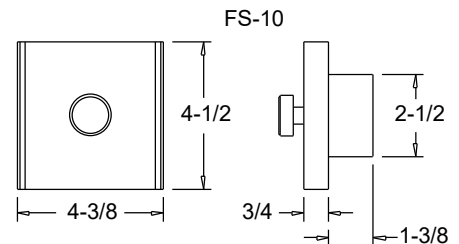
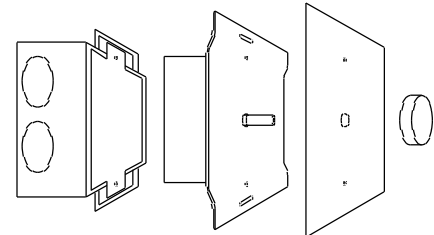
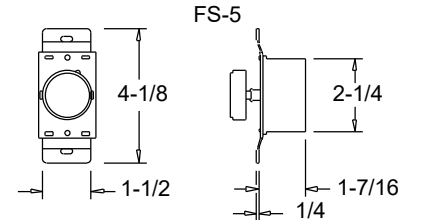
SPEED CONTROL - Positive Off/On action in the control dial. Speed range set to the customer's requirements. **CONTROL RATING** - 120 volts, 60 cycles, 1 phase. Maximum ambient temperature - 120 degree F (5 AMP, 10 AMP, 15 AMP). 220/240 volt, 50/60 cycles, 1 phase. Maximum ambient temperature - 120 degree F (5 AMP, 10 AMP). 220/240 volt model not UL listed. Fan cannot have UL listing if furnished with prewired 220/240 volt FSC. 277 volt, 60 cycles, 1 phase.

Maximum ambient temperature - 120 degree F (5 AMP). **WARNING** - Power must be turned off before installing this unit. **STANDARD INSTALLATION** - Fits any standard single gang box.

Turn off power and connect the two wires on the control to the two switch wires in the usual manner. The connection box is not supplied. **SPECIAL FEATURES** - Complete range control, solid state "Quadrac" integrated circuitry, solid state construction for long reliable operating life, saves on electric bills.

Dimensions (inches)

Mark	Qty	Description
EF-2	1	FSC 10A 120V PREWIRE





Blower Standard Construction Features

- * Heavy duty relubricatable, self-aligning bearings rated for 200,000 hours average life.
- * Precision turned ground & polished solid steel shafts sized for critical speed of 125% of max cataloged conditions.
- * All steel components Lorenized with an electrostatically applied baked polyester powder coating.
- * Integral adjustable motor mounting plate on arrangements 9 and 10.
- * Dynamically balanced wheels.
- * Static resistant belts.
- * Pre-punched mounting holes.
- * Corrosion resistant fasteners.

PRODUCT SPECIFIC FEATURES

CIC – Inline Centrifugal Blower

UL 705 Listed * Flanged outlet * Lifting lugs * Inlet collar for slip-fit duct connection * Fully welded straightening vanes * Lube lines extended to exterior of unit * Continuously welded, high efficiency airfoil wheel * Heavy gauge spun aluminum inlet cone * Continuously welded heavy gauge housing.



CPF/CPFV – Vent Set

UL 705 Listed * AMCA Air and Sound certified performance * Field rotatable housings * Flanged outlet on CPFV, slip-fit outlet on CPFV * Lifting lugs * Inlet Collar for slip-fit inlet duct connection * Forward curved wheel * Heavy gauge spun aluminum inlet cone on CPFV, steel inlet on CPFV * Continuously welded housing on CPFV.



CA – Airfoil Centrifugal Blower

UL 705 Listed * AMCA Air and Sound certified performance * Flanged outlet * Lifting lugs * Inlet collar for slip-fit duct connection on arrangements 1, 2, 4, 8, 9 and 10 * Continuously welded high efficiency airfoil wheel * Heavy gauge spun aluminum inlet cone * Continuously welded heavy gauge housing.



CCP – Plug Fan

UL 705 Listed * Lifting lugs * Heavy gauge mounting panel with welded corners * Continuously welded, airfoil and flat blade wheel available * Heavy gauge spun aluminum inlet cone.



CF – Backward Inclined Centrifugal Blower

UL 705 Listed * AMCA Air and Sound certified performance * Flange outlet * Lifting lugs * Inlet collar for slip-fit duct connection on arrangements 1, 2, 4, 8, 9 and 10 * Continuously welded, heavy duty flat blade wheel * Heavy gauge spun aluminum inlet cone * Continuously welded heavy gauge housing.



PLC – Plenum Fan

UL 705 Listed * AMCA Air and Sound certified performance * Heavy duty structural steel frame with heavy gauge inlet panel welded at all connections * Continuously welded, airfoil wheel * Heavy gauge spun aluminum inlet cone.



CPS/CPA – Vent Set

UL 705 Listed * AMCA Air and Sound certified performance * Field rotatable housings * AMCA 'A' all aluminum airstream construction on CPA * Flanged outlet * Lifting lugs * Inlet collar for slip-fit duct connection * Continuously welded, heavy duty flat blade wheel * Heavy gauge spun aluminum inlet cone * Continuously welded housing.



CFS – Centrifugal Filtered Supply Fan

UL 705 Listed * Continuously welded, high efficiency airfoil wheel * Extruded aluminum tiers with continuously welded and mitered corners * Removable aluminum top cap with welded corners * Permanent removable washable filters * Continuously welded heavy gauge blower housing.



CPS-A/CPA-A – Vent Set

UL 705 Listed * AMCA Air and Sound certified performance * Field rotatable housings * AMCA 'A' all aluminum airstream construction on CPA-A * Flanged outlet * Lifting lugs * Inlet collar for slip-fit duct connection * Continuously welded, high efficiency airfoil wheel * Heavy gauge spun aluminum inlet cone * Continuously welded housing.



MH/MHB – Industrial Material Handler

UL Classified * AMCA Air certified performance * Field rotatable housing * Lifting lugs * Inlet collar for slip-fit duct connection * Continuously welded, heavy duty radial tip wheel * Continuously welded housing * Heavy duty structural steel housing supports.



CPV – Vent Set

UL 705 Listed * AMCA Air and Sound certified performance * Field rotatable housings * Flanged outlet * Lifting lugs * Inlet collar for slip-fit duct inlet connection * All aluminum flat blade wheel * Heavy gauge spun aluminum inlet cone * Continuously welded housing.



MHA – Industrial Material Handler

UL Classified * AMCA Air and Sound certified performance * Field rotatable housing * Lifting lugs * Inlet collar for slip-fit duct connection * Continuously welded, heavy duty backward inclined flatblade wheel * Continuously welded housing * Heavy duty structural steel housing supports.



X0004R06