

PROJECT TYPE

DRAWINGS/SPECIFICATIONS BY:

WALGREENS' CONSULTANT
 LANDLORD'S CONSULTANT

ALL CONSTRUCTION WORK, UNLESS NOTED OTHERWISE, BY:

WALGREENS' CONTRACTOR
 LANDLORD'S CONTRACTOR (TURNKEY CONSTRUCTION)

STORE	BUILDING
NEW..... <input type="checkbox"/>	NEW..... <input type="checkbox"/>
REMODELING... <input type="checkbox"/>	EXISTING..... <input type="checkbox"/>
RELOCATION... <input type="checkbox"/>	NEW SHELL ONLY <input type="checkbox"/>
OTHER..... <input type="checkbox"/>	

LEGEND

SUPPLY AIR
 RETURN AIR
 TEE - TURNING VANES AND ADJUSTABLE SPLITTER DAMPER
 ELBOW - TURNING VANES
 MANUAL VOLUME DAMPER
 GAS

① THERMOSTAT (MOUNT 5'-0" A.F.F.)
 ② SEE CONTROL DIAGRAM, DRAWING M2.2.
 ③ SENSOR FOR HONEYWELL THERMOSTAT; SEE CONTROL DIAGRAM, DWG. M2.2. (MOUNT 6'-0" OF UP)

AHU AIR HANDLING UNIT
 CAD CONCENTRIC AIR DIFFUSER AND PLENUM
 CFM CUBIC FEET PER MINUTE
 CU CONDENSING UNIT
 EF EXHAUST FAN
 EH ENTRANCE HEATER
 EWH ELECTRIC WALL HEATER
 SAD SUPPLY AIR DIFFUSER (SEE DETAIL 1/M2.1); CFM AND SIZE AS NOTED.
 SAG SUPPLY AIR GRILLE (SEE DETAIL 2/M2.1); CFM AND SIZE AS NOTED.
 SF SUPPLY FAN
 RAG RETURN AIR GRILLE (SEE DETAIL 3/M2.1); CFM AND SIZE AS NOTED.
 TAG TRANSFER AIR GRILLE (SEE DETAIL 3/M2.1); SIZE AS NOTED.
 RTU ROOF TOP UNIT
 UH UNIT HEATER
 NK DIFFUSER NECK SIZE

- NOTES**
- ALL WORK SHOWN SHALL COMPLY WITH ALL NATIONAL, STATE AND LOCAL CODES, ORDINANCES, ETC.
 - SEE ALL OTHER DRAWINGS AND WALGREENS' SPECIFICATIONS FOR ADDITIONAL WORK OR CLARIFICATION OF NECESSARY WORK.
 - ALL FRESH AIR INTAKES ON ROOF SHALL BE LOCATED A MINIMUM OF 15'-0" AWAY FROM ANY EXHAUST DUCT, BLOWER DISCHARGE, PLUMBING VENT, ETC.
 - HVAC ROOF-TOP UNIT TO INCLUDE FLEXIBLE DUCT CONNECTIONS, TURNING VANES, AND VIBRATION ISOLATORS, AS REQUIRED. OUTSIDE AIR INTAKE TO BE SIZED FOR A MINIMUM OF 100% OUTSIDE AIR FOR ECONOMIZER SYSTEMS.
 - EACH HVAC UNIT TO HAVE ITS OWN CONTROLS. SEE DRAWING M2.2 FOR HVAC CONTROL WIRING DIAGRAM.
 - CONDENSATE FROM ROOF-TOP UNITS SHALL BE RUN ONTO SPLASH BLOCK PROVIDED BY ROOFING CONTRACTOR. SEE DETAIL 2/P2.1
 - HVAC UNITS MUST BE INSTALLED LEVEL ON ROOF.
 - THERMOSTAT SENSOR WIRING TO BE RUN INSIDE PIPE COLUMNS.
 - DO NOT INSTALL SUPPLY AIR DIFFUSERS IN CEILING PANEL ADJACENT TO ROW OF LIGHT FIXTURES. COORDINATE DIFFUSERS WITH REFLECTED CEILING PLAN ON DRAWING A1.2.
 - FLEXIBLE DUCT LENGTH NOT TO EXCEED A MAXIMUM OF 7'-0".
 - PLENUM AND/OR RETURN AIR CEILING PLENUMS WILL NOT BE ACCEPTED.
 - DO NOT INSTALL UNIT HEATER ABOVE STOCK ROOM SHELVING.
 - ELECTRIC WALL HEATERS (EWH) AND ELECTRIC UNIT HEATERS (EUH) ARE PROVIDED UNDER THE ELECTRICAL CONTRACT, SHOWN HERE FOR HVAC INFORMATION ONLY.
 - MECHANICAL SYSTEMS PIPING AND DUCTWORK TO BE HELD TO 14'-0" A.F.F. AND ABOVE. COORDINATE WITH STOCK ROOM SHELVING.
 - SEE ARCHITECTURAL DRAWINGS FOR HVAC ROOF CURB, ROOFTOP COMPRESSOR CURB AND SUPPORT DETAILS.
 - ALL NON-AIR CONDITIONING COMPRESSORS LISTED WITH REFRIGERANT PIPING SHALL BE FURNISHED BY WALGREENS. ALL ELECTRICAL WORK (SEE DRAWING E1.2) AND PLUMBING WORK (SEE DRAWING P1.1) INCLUDING ROOF SUPPORTS SHALL BE FURNISHED BY CONTRACTOR.
 - ALL DUCTWORK TO BE GALVANIZED SHEET METAL W/ EXTERNAL INSULATION. LINE DUCTWORK WILL NOT BE ACCEPTED.
 - ALL HVAC SUPPLY AND RETURN AIR DUCTS SHALL HAVE 1 1/2" EXTERNAL INSULATION OR MORE IF CODE REQUIRES.
 - ALL HVAC SYSTEMS TO BE BALANCED BY AN INDEPENDENT CERTIFIED AIR BALANCE CONTRACTOR WITH A MINIMUM OF 5 YEARS EXPERIENCE.
 - GAS PIPING SHALL BE RUN ABOVE CEILING (OUT THRU ROOF, WITHIN UNIT CURB). PROVIDE SHUT-OFF VALVE AT EACH PIECE OF EQUIPMENT. SHUT-OFF VALVE FOR ROOF MOUNTED EQUIPMENT SHALL BE ABOVE ROOF.
 - GAS PIPE SIZES ARE BASED ON LOW PRESSURE AT METER. WHERE HIGHER PRESSURE IS AVAILABLE, RESIZE & INSTALL PIPING IN ACCORDANCE WITH NFPA 54 AND LOCAL CODES.
 - FOR MINIMUM OUTSIDE AIR QUANTITIES FOR RTU'S REFER TO SCHEDULE ON SHEET M2.1.

- MECHANICAL KEYED NOTES**
- HVAC ROOFTOP UNIT. SEE GENERAL NOTES (ABOVE) AND SCHEDULE ON DRAWING M2.1 FOR ADDITIONAL INFORMATION.
 - SAD, 24"x24" MODULE SIZE, CFM AND NECK SIZE AS NOTED. SEE DETAIL 1/M2.1.
 - SAD, 12"x12" MODULE SIZE, MOUNT AT GYP. BOARD CEILING. CFM AND NECK SIZE AS NOTED. DETAIL 1/M2.1 SIMILAR. FURNISH DIFFUSER WITH FRAME TYPE SUITABLE FOR SURFACE CEILING MOUNTING.
 - SAD, THERMALLY POWERED VARIABLE AIR VOLUME DIFFUSER, ACUTHERM THERMA-FUSER, HC OR KRUEGER VARI-FUSER AVOP SERIES. CFM AND SIZE AS NOTED.
 - SAG, CFM AND SIZE AS NOTED. SEE DETAIL 2/M2.1.
 - RAG OR TAG, SIZE AS NOTED. SEE DETAIL 3/M2.1.
 - ROOFTOP HVAC UNIT WITH CAD, CONCENTRIC AIR DIFFUSER WITH PLENUM SHALL BE MICRO METL 1013 SERIES OR APPROVED EQUAL. MOUNT WITH TOP OF PLENUM AT UNDERSIDE OF BAR JOISTS.
 - GAS SERVICE AND METER BY LOCAL GAS COMPANY. METER OUTLET PRESSURE 7" W.C. SEE DETAIL 7/P2.1.
 - ROOFTOP ENCLOSED BLOWER/ENTRANCE HEATER. INCLUDE VIBRATION ISOLATORS AND FLEXIBLE DUCT CONNECTIONS, 100% RETURN AIR WITH SENSOR AT ENTRANCE AND THERMOSTAT IN OFFICE.
 - UNDER CUT DOOR FOR AIR TRANSFER.
 - GAS FIRED, POWER VENTED UNIT HEATER (SEE SCHEDULE ON SHEET M2.1) BOTTOM 12'-0" A.F.F. MOUNT THERMOSTAT ON WALL (SET AT 68F). PROVIDE 4" FLUE THRU ROOF WITH WEATHER CAP.
 - ROOF-TOP CONDENSING UNIT FOR WALK-IN COOLER/FREEZER.
 - PIPE PORTAL FOR WALK-IN COOLER/FREEZER CONDENSING UNIT REFRIGERANT AND ELECTRICAL LINES. SEE DETAIL 5/M2.1.
 - PROVIDE SOLID STATE CONTROLLER FOR EXHAUST FAN.
 - ELECTRIC WALL HEATER (EWH) FURNISHED AND INSTALLED BY THE ELECTRICAL CONTRACTOR. SEE DRAWING E1.2 FOR FURTHER INFORMATION.
 - ROOF VENTILATOR, GREENHECK GRS 15 WITH OPS SERIES CURB, OR ACCEPTABLE EQUAL. SEE DETAIL 4/M2.1.
 - PHASE 1: PRIOR TO INSTALLATION OF CEILING, IT-3 SHALL BE MOUNTED FROM BAR JOISTS APPROXIMATELY 2 FEET ABOVE INTENDED FINISHED CEILING.
 PHASE 2: AT THE TIME OF CEILING INSTALLATION THE CEILING MOUNTED EXHAUST GRILLE AND FLEXIBLE 12" DIA DUCT (7'-0" MAXIMUM LENGTH) CONNECTING GRILLE TO IT-3 SHALL BE INSTALLED.
 - GAS-FIRED WATER HEATER W/ 3/4" CLASS 'B' FLUE UP THRU ROOF, TERMINATE W/ RAINCAP 2'-0" HIGHER THAN ANY PORTION OF THE BUILDING WITHIN 10'-0".
 - GAS PIPE TO GAS-FIRED WATER HEATER W/ SHUT-OFF VALVE, DIRT-LEG AND UNION.
 - 10"x10" COMBUSTION AIR DUCT UP THRU ROOF TO GOOSENECK.
 - 10"x10" COMBUSTION AIR DUCT DOWN, PROVIDE (2) 10"x5" COMBUSTION AIR OPEN ENDED DUCTS WITH 1/2" GALVANIZED SCREENS. (1) OPENING SHALL BE NEAR THE TOP OF THE WATER HEATER ROOM AND (1) NEAR THE BOTTOM.

DUNHAM ASSOCIATES, INC.
 Mechanical & Electrical Engineers
 8200 Normandale Blvd, Suite 500 Minneapolis, MN 55420
 (612) 820-1400 FAX: MN, (612) 820-2670

NO.	DATE	BY	DESCRIPTION	CONST.
1	5/22/98	MLM	WALGREENS COMMENTS	
2	7/8/98	MLM	WALGREENS COMMENTS	

CERTIFICATION AND SEAL

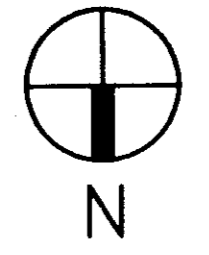
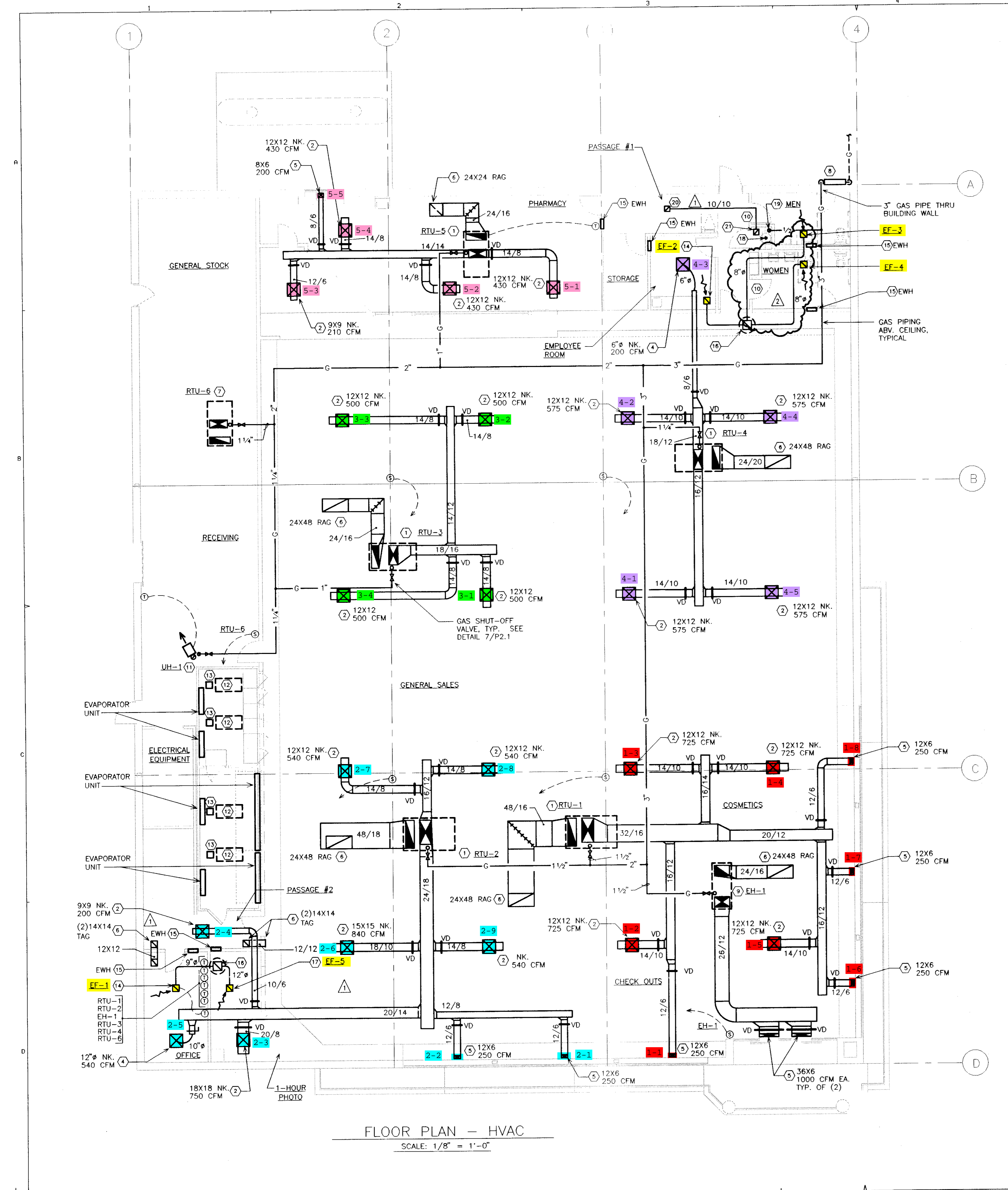
I HEREBY CERTIFY THAT THIS PLAN AND SPECIFICATION WAS PREPARED BY ME OR UNDER MY DIRECT SUPERVISION AND THAT I AM A DULY REGISTERED ARCHITECT OR ENGINEER UNDER THE LAWS OF THE STATE OF COLORADO AS SIGNIFIED BY MY HAND AND SEAL.

REGISTERED PROFESSIONAL ENGINEER
 REG. NO. 20419
 WALLE J. HOLLAND
 COLORADO

PROJECT NAME
Walgreens
 PRAIRIE AVE. & NORTHERN AVE., PUEBLO, CO

DRAWING TITLE
 HVAC PLAN

DATE: 3/6/98	STORE NO. 042-4721	DRAWING NO.
DRAWN BY: MALKOVICH	SCALE: AS NOTED	M1.1
CHECKED BY: KRAHN	RELEASED TO CONSTRUCTION	OF 10 DWGS.



PROJECT TYPE

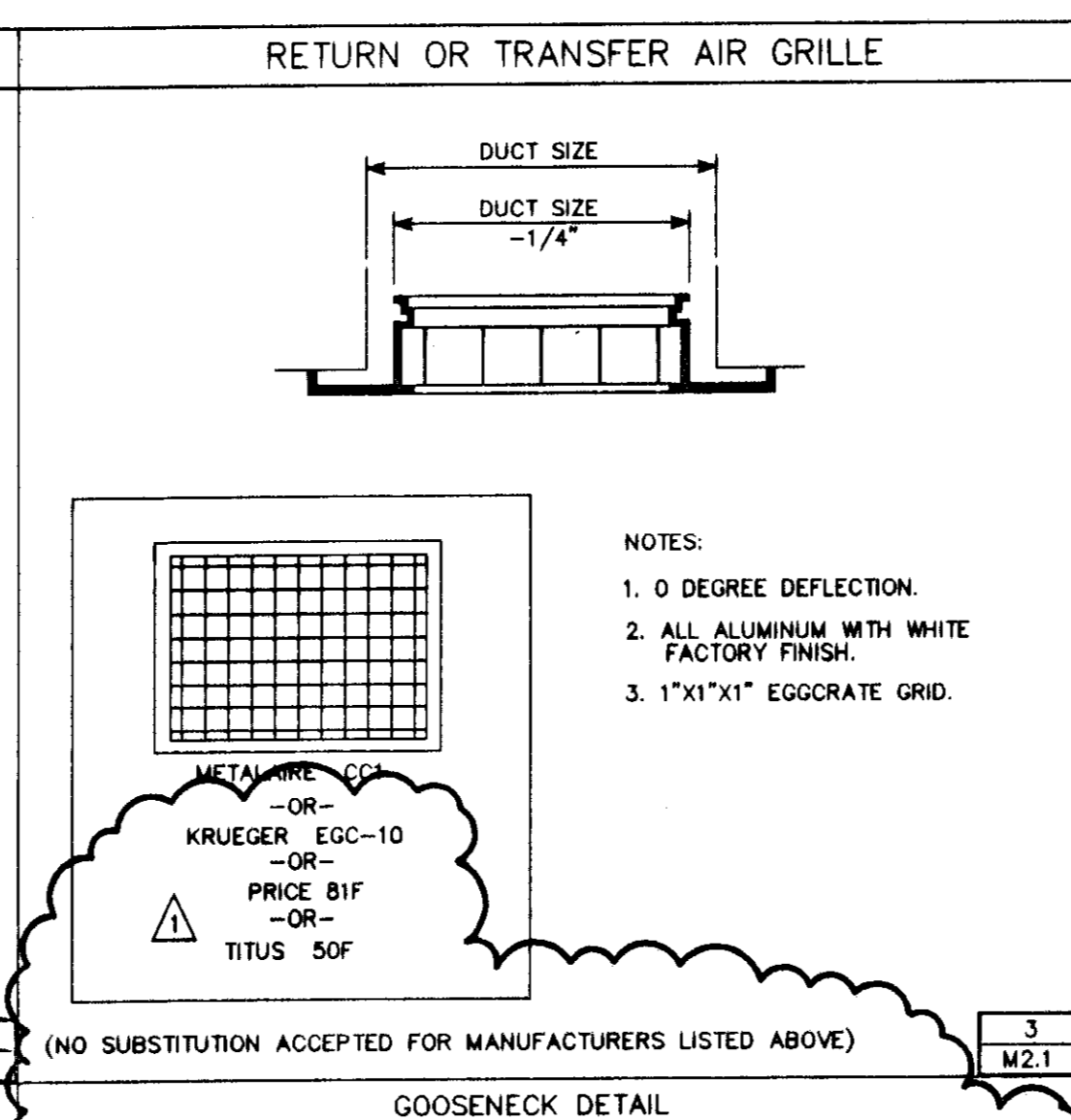
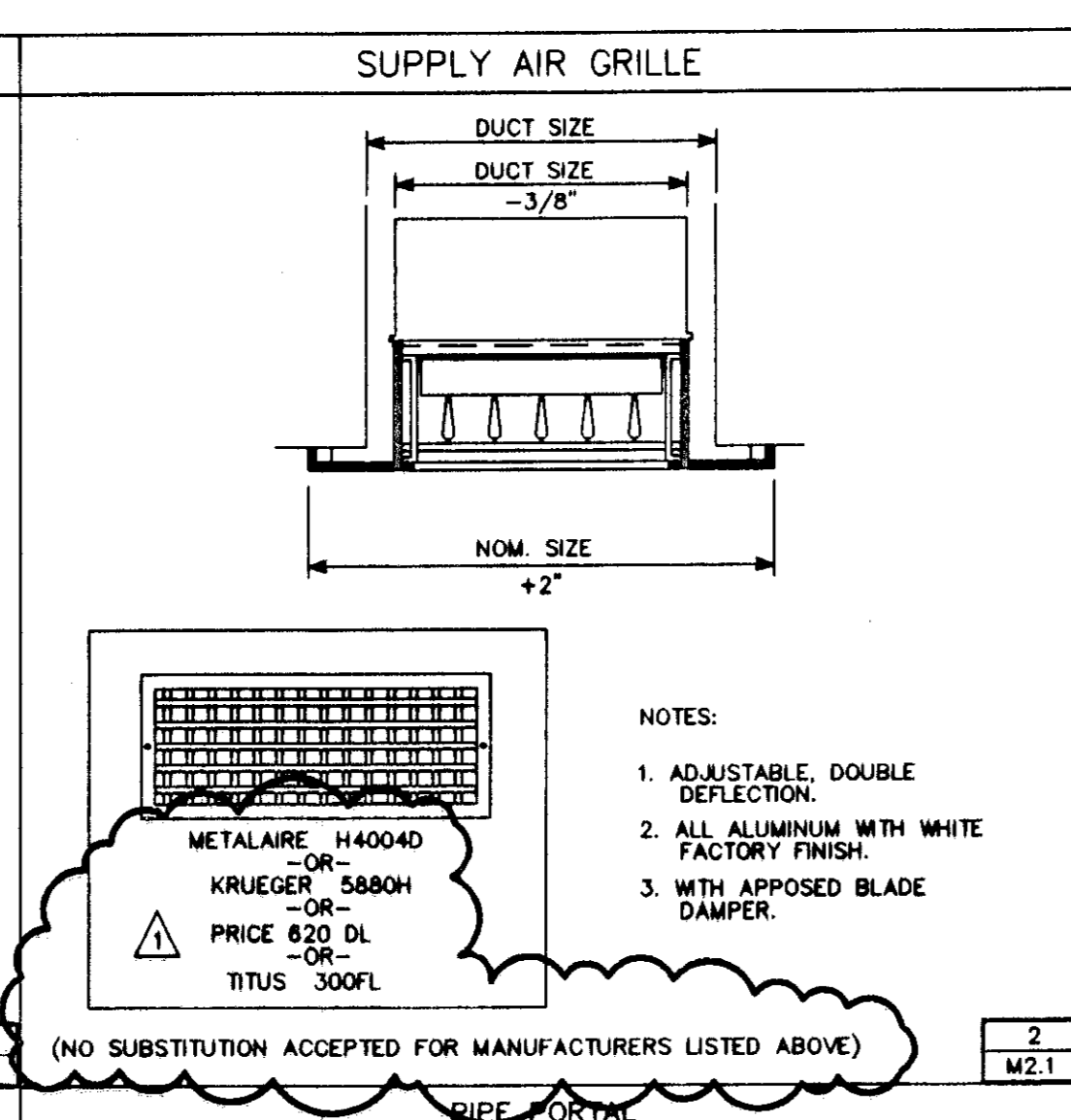
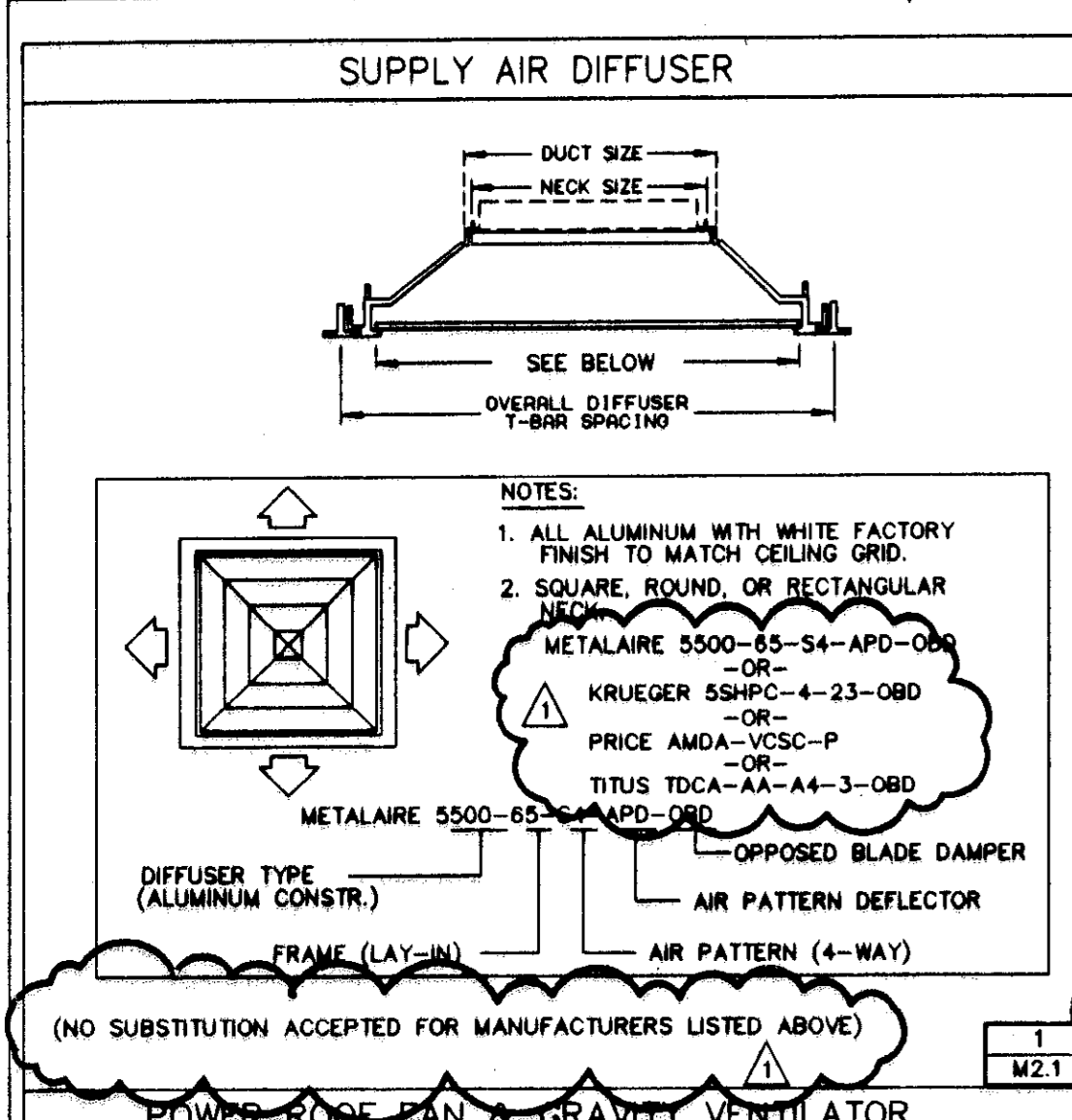
DRAWINGS/SPECIFICATIONS BY:
 WALGREENS' CONSULTANT
 LANDLORD'S CONSULTANT

ALL CONSTRUCTION WORK, UNLESS NOTED OTHERWISE, BY:
 WALGREENS' CONTRACTOR
 LANDLORD'S CONTRACTOR (TURNKEY CONSTRUCTION)

STORE BUILDING

NEW..... REMODELING...
 RELOCATION... OTHER.....

NEW..... EXISTING.....
 NEW SHELL ONLY

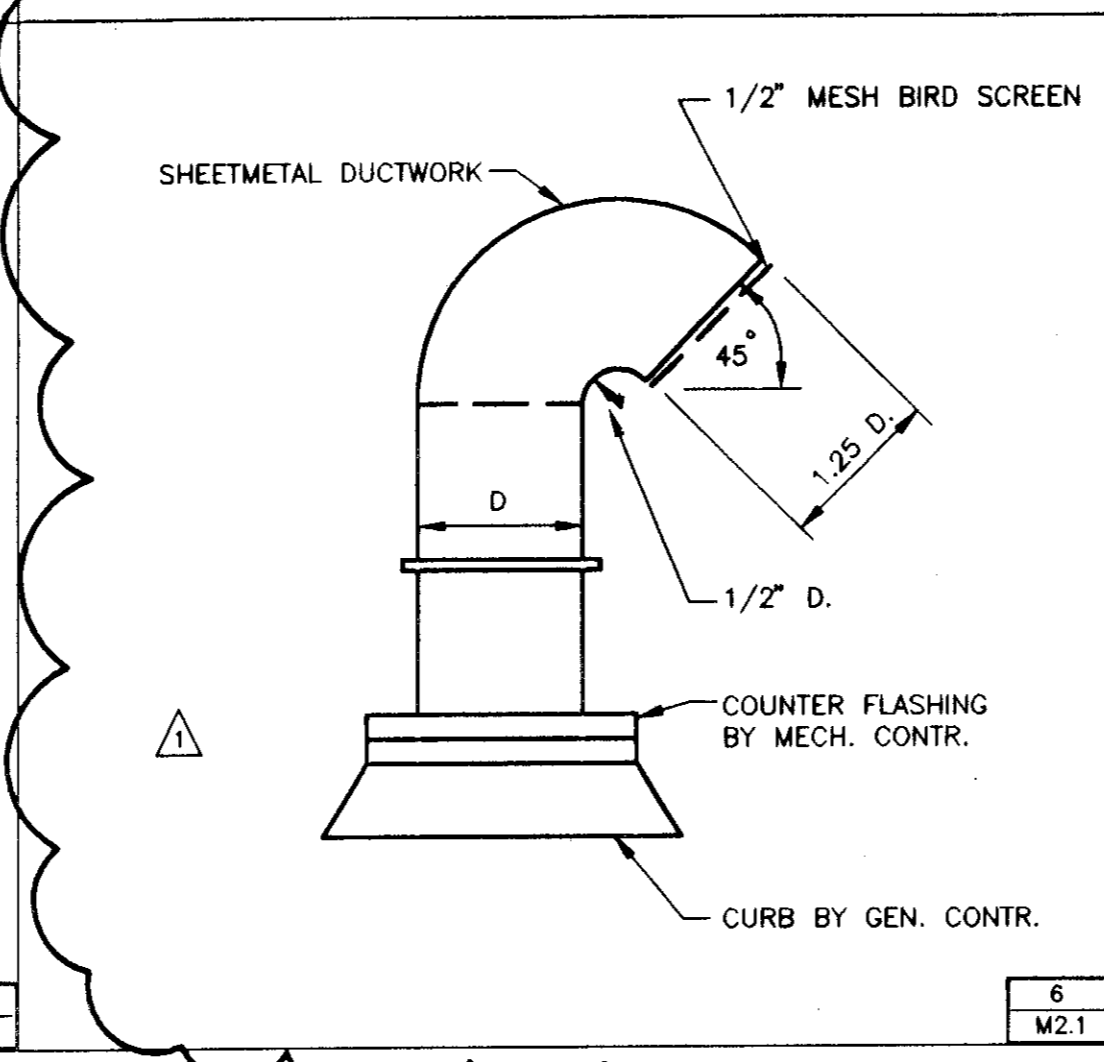
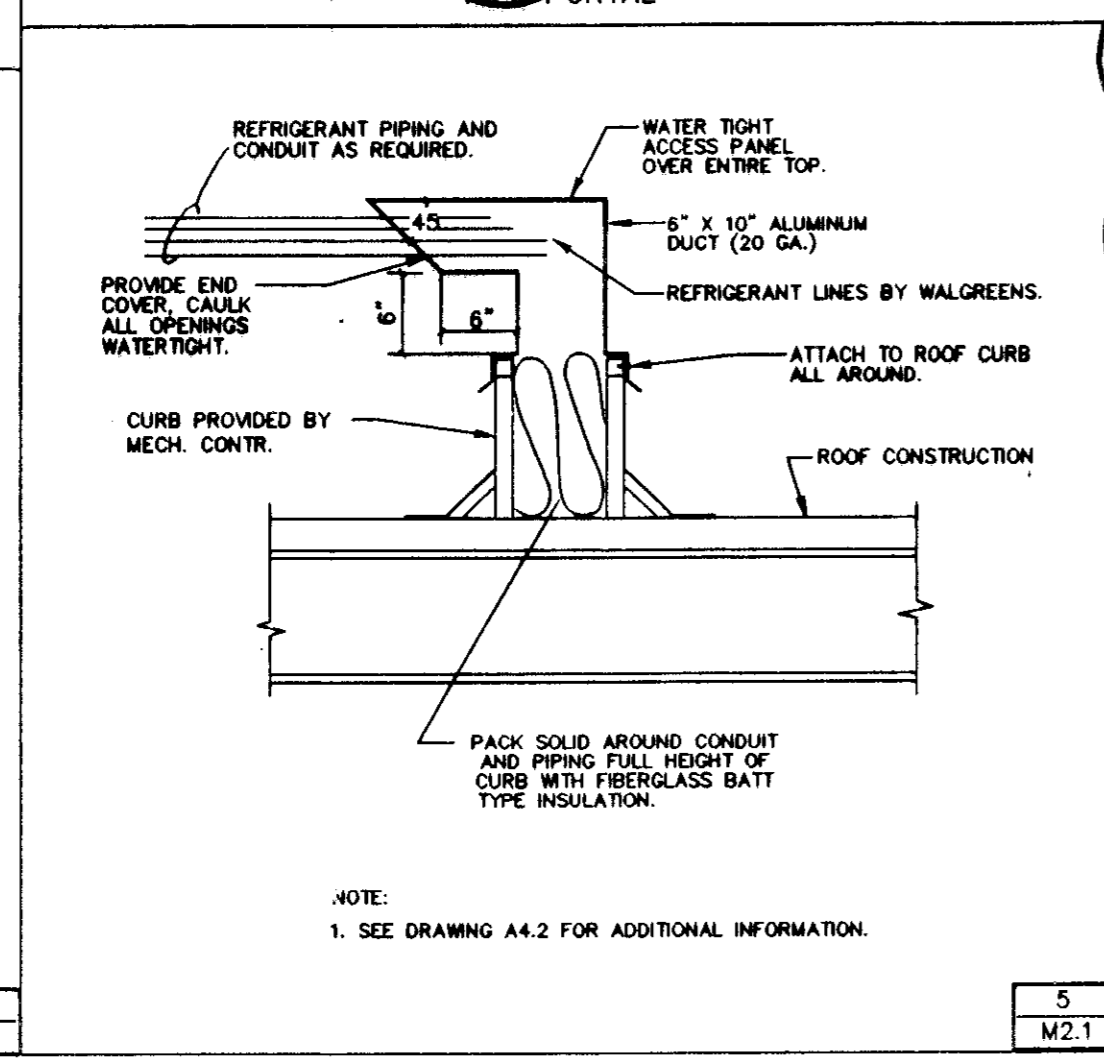
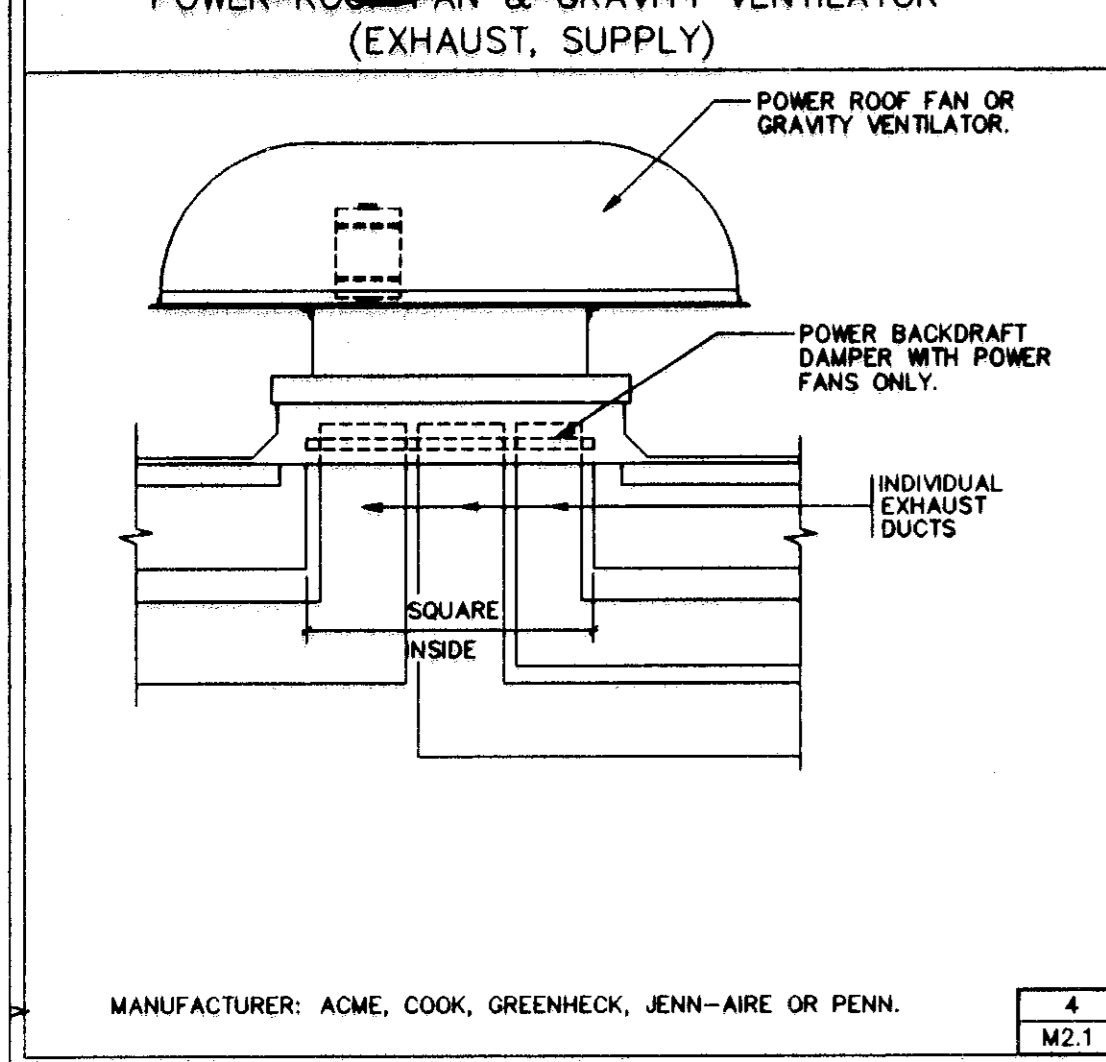


UNIT HEATER SCHEDULE

UNIT	AREA SERVED	BTU/HR INPUT	CFM	MOTOR		RPM	TYPE	MAKE AND MODEL
				HP	VOLTS PHASE			
UH-1	STOCKROOM	100,000	1250	1/30	120/1	1050	PROPELLER FAN UNIT HEATER	REZTOR FE-100
EH-1	ENTRANCE	225,000 HIGH 112,500 LOW	2000	3/4	208/3	710	ROOF MOUNTED	REZTOR RGB 225 W/2 STAGE GAS VALVE

FAN SCHEDULE

UNIT	AREA SERVED	CFM	SP.	MOTOR		RPM	TYPE	MAKE AND MODEL	REMARKS
				WATTS	VOLTS PHASE				
EF-1	OFFICE	300	.375"	121	120/1	890	CEILING FAN	GREENHECK SP-250	SOLID STATE SPEED CONTROLLER, BACKDRAFT DAMPER, ALUMINUM GRILLE
EF-2	EMPLOYEE ROOM	300	.375"	121	120/1	890	CEILING FAN	GREENHECK SP-250	SOLID STATE SPEED CONTROLLER, BACKDRAFT DAMPER, ALUMINUM GRILLE
EF-3	TOILET (MEN)	250	.25"	81	120/1	1000	CEILING FAN	GREENHECK SP-226	BACKDRAFT DAMPER, ALUMINUM GRILLE
EF-4	TOILET (WOMEN)	250	.25"	81	120/1	1000	CEILING FAN	GREENHECK SP-226	BACKDRAFT DAMPER, ALUMINUM GRILLE
EF-5	PHOTO LAB	750	.25"	385	120/1	928	IN-LINE FAN	GREENHECK CSP-280	BACKDRAFT DAMPER



HEATING/COOLING ROOF TOP UNIT SCHEDULE

NOTE: AT 95 DEG. CONDENSER ENTRANCE AIR TEMPERATURE & ARI CONDITIONS.

UNIT	AREA SERVED	FUZE SIZE MCA	BLOWER			COMPRESSOR			AIR COOLED CONDENSER		GAS FIRED FURNACE		MAKE/MODEL/WEIGHT/FILTERS		
			S.A. CFM	MIN. O.S.A. CFM	MOTOR HP	ELECT. REQ. RLA AMPS	TOTAL COOLING CAPACITY	FL. HP	MBH RATE	INPUT	OUTPUT				
RTU-1	GENERAL SALES	35 AMPS 33.2	3900	825	2 3.4	460 3	(2) 10.0	460 3	96	2.9	1	460 1	250	203	TRANE/YCD103B/1528 (3) 16X20X2 DISP.
RTU-2	GENERAL SALES/ PHOTO LAB/OFFICE	35 AMPS 32.2	4450	1145	2 3.4	460 3	(2) 10.0	460 3	120	2.9	1	460 1	250	203	TRANE/YCD121B/1546 (3) 16X20X2 DISP.
RTU-3	GENERAL SALES	25 AMPS 15.9	2000	770	0.6 2.5	460 1	10.0	460 3	60	0.9	25	460 1	90	73	TRANE/YCD061C/935 (3) 16X25X1 DISP.
RTU-4	GENERAL SALES/ EMPLOYEE ROOM	25 AMPS 16.6	2500	945	1 3.2	460 3	9.7	460 3	71	0.9	25	460 1	205	166	TRANE/YCD074C/989 (3) 16X25X1 DISP.
RTU-5	PHARMACY	15 AMPS 11.8	1700	300	0.5 2.0	460 1	7.1	460 3	48	0.9	25	460 1	90	73	TRANE/YCD049C/792 (2) 20X25X1 DISP.
RTU-6	RECEIVING/ GENERAL STOCK	15 AMPS 11.8	1525	250	0.5 2.0	460 1	7.1	460 3	46	0.9	25	460 1	120	97	TRANE/YCD049C/792 (2) 20X25X1 DISP.

THE EQUIPMENT MANUFACTURER AND DATA SCHEDULED SHALL BE CONSIDERED THE BASE DESIGN. CHANGES TO OTHER CRITERIA ACCEPTABLE MANUFACTURERS MAY BE DONE ONLY IF ALL ITEMS SUCH AS (BUT NOT LIMITED TO) SPACE, WEIGHT, SERVICE, ELECTRICAL AND ALL OTHER TRADE REQUIREMENTS CAN BE SATISFIED. THE INSTALLING CONTRACTOR SHALL BE RESPONSIBLE FOR COORDINATION AND WORK PERFORMANCE OF ALL TRADES.

ROOF TOP HVAC UNITS (TONNAGE/EFFICIENCY RATING)

(MANUFACTURER SHALL BE TRANE. ONLY THE EXACT TRADE OR SIGNATURE NAME AND THE LISTED (MINIMUM ALLOWABLE) EFFICIENCY UNITS AVAILABLE FROM EACH OF THESE MANUFACTURERS WILL BE ACCEPTABLE.)

MANUFACTURER	2 / SEER	2.5 / SEER	3 / SEER	4 / SEER	5 / SEER	6 / EER	7.5 / EER
TRANE	024 10.0	030 10.0	037 12.0	049 12.0	061 12.0	074 10.0	091 10.0

ROOF TOP HVAC UNITS (TONNAGE/EFFICIENCY RATING)

(MANUFACTURER SHALL BE TRANE. ONLY THE EXACT TRADE OR SIGNATURE NAME AND THE LISTED (MINIMUM ALLOWABLE) EFFICIENCY UNITS AVAILABLE FROM EACH OF THESE MANUFACTURERS WILL BE ACCEPTABLE.)

MANUFACTURER	10 / EER	12.5 / EER	15 / EER	18 / EER	20 / EER	25 / EER
TRANE	121 10.0	151 10.0	181 10.0	211 9.7	241 9.0	300 9.3

NATIONAL ACCOUNTS

I. HVAC UNITS
 A. TRANE EQUIPMENT WILL BE UTILIZED FOR ALL STATES WEST OF THE MISSISSIPPI RIVER AND ILLINOIS, MASSACHUSETTS, NEW YORK, RHODE ISLAND, CONNECTICUT, NEW HAMPSHIRE MAINE AND VERMONT.

1. FOR TRANE EQUIPMENT, CALL ANNA SPAN HANAS @ (800)453-8954 TO COORDINATE YOUR PURCHASE ORDER AGREEMENT AND EQUIPMENT DELIVERY.

DUNHAM ASSOCIATES, INC.
 Mechanical & Electrical Engineers
 8200 Normandale Blvd., Suite 500 Minneapolis, MN 55420
 (612) 820-1400 FAX. NO. (612) 820-2670

5/22/98 MLW WALGREENS COMMENTS

NO.	DATE	BY	DESCRIPTION	CONST.

CERTIFICATION AND SEAL

I HEREBY CERTIFY THAT THIS PLAN AND SPECIFICATION WAS PREPARED BY ME OR UNDER MY DIRECT SUPERVISION AND THAT I AM A DULY REGISTERED ARCHITECT OR ENGINEER UNDER THE LAWS OF THE STATE OF COLORADO AS SIGNIFIED BY MY HAND AND SEAL.

REGISTERED PROFESSIONAL ENGINEER
 REG. NO. 20847
 DALE J. HOLLAND
 COLORADO

PROJECT NAME
Walgreens

PRAIRIE AVE. & NORTHERN AVE., PUEBLO, CO

DRAWING TITLE
 MECHANICAL SCHEDULES & DETAILS

DATE: 3/6/98 STORE NO. 042-4721 DRAWING NO. M2.1
 DRAWN BY: MALKOVICH SCALE: NO SCALE
 CHECKED BY: KRAHN RELEASED TO CONSTRUCTION OF 10 DWGS.

PROJECT TYPE

DRAWINGS/SPECIFICATIONS BY:
 WALGREENS' CONSULTANT
 LANDLORD'S CONSULTANT

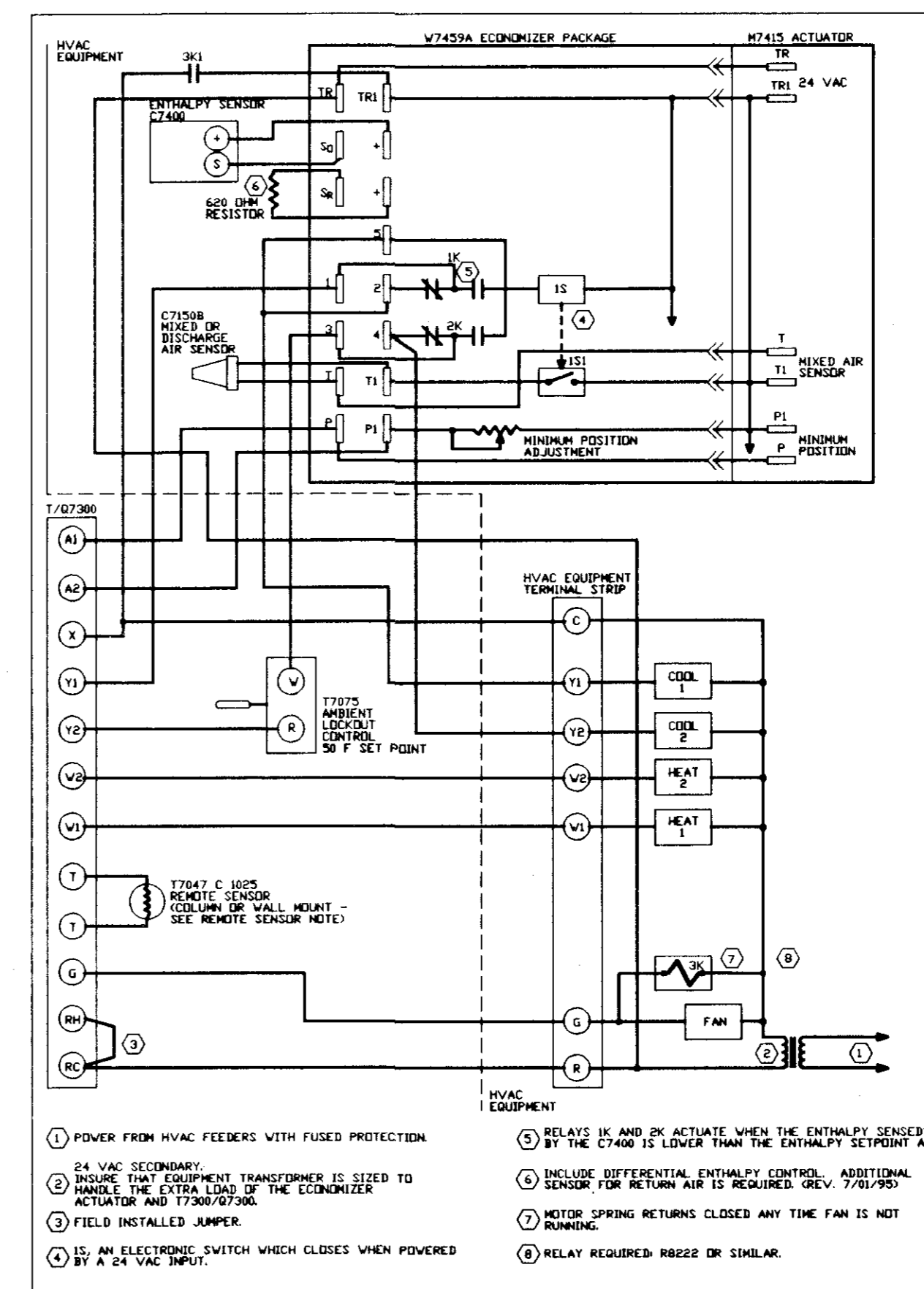
ALL CONSTRUCTION WORK, UNLESS NOTED OTHERWISE, BY:
 WALGREENS' CONTRACTOR
 LANDLORD'S CONTRACTOR (TURNKEY CONSTRUCTION)

STORE	BUILDING
NEW..... <input checked="" type="checkbox"/>	NEW..... <input checked="" type="checkbox"/>
REMODELING... <input type="checkbox"/>	EXISTING..... <input type="checkbox"/>
RELOCATION... <input type="checkbox"/>	NEW SHELL ONLY <input type="checkbox"/>
OTHER..... <input type="checkbox"/>	

BILL OF MATERIAL			
THE FOLLOWING CONTROLS TO BE FURNISHED BY TEMPERATURE CONTROL CONTRACTOR			
NO.	QUANTITY	MAKE	REMARKS
T1	1 (PER UNIT)	HONEYWELL T7075B1006	-20°F TO 80°F SCALE 1 DEGREE DIFFERENCE (USE AS COMPRESSOR LOCKOUT SET AT 50°F).
T2	1 (PER UNIT)	HONEYWELL T7300A1005 MODEL Q7300A1018	NOTE: FOR PHARMACY UNIT USE T7300/Q7300B1008 (SWITCHING BASE)
	1 (PER UNIT)	HONEYWELL T7047C1025	REMOTE SENSOR (NOTE: EXCEPT PHARMACY UNIT)

REMOTE SENSOR NOTE

REMOTE SENSOR (T7047C1025) IS TO BE MOUNTED ON COLUMN (OR WALL),
 6'-0" A.F.F. WITH THE SUBBASE (T/07300) LOCATED IN OFFICE. CONNECT
 REMOTE SENSOR TO T-T TERMINALS OF SUBBASE VIA TWO (2) #16 AWG SHIELDED,
 TWISTED PAIR WIRES. SEE DEN 8761. SEE CONTROL WIRING DIAGRAM.
 (NOTE: NOT TO INCLUDE PHARMACY UNIT).



T7300/07300 DEFEATING ECONOMIZER MINIMUM POSITION DURING UNOCCUPIED IN A TWO STAGE COOLING SYSTEM WITH SINGLE ENTHALPY CHANGEDOVER USING M7455A/C7400 WITH AN M7415 ACTUATOR.

HVAC CONTROL DIAGRAM (EACH UNIT)

NOTE:
 ABOVE WIRING DIAGRAM ARRANGEMENT IS APPLICABLE FOR PROJECTS WITH THE ECONOMIZER SYSTEM.

* NO SUBSTITUTIONS FOR HONEYWELL *

HONEYWELL T7300'S LABELED WITH CARRIER LOGO ARE ACCEPTABLE. TRANE EQUIPMENT WILL UTILIZE TRANE TEMPERATURE CONTROL. CHECK WITH LOCAL EQUIPMENT DEALER TO VERIFY MODEL NUMBERS.

PROGRAM	
1) COOLING 76°F	1) OCCUPIED SALES AND PHARMACY
2) HEATING 72°F	2) OCCUPIED GENERAL STOCKROOM
1) COOLING 78°F	1) NOT OCCUPIED SALES/GENERAL STOCKROOM
2) HEATING 68°F	2) NOT OCCUPIED PHARMACY
1) COOLING 85°F	1) NOT OCCUPIED PHARMACY
2) HEATING 60°F	2) NOT OCCUPIED PHARMACY

(NOTE: ENTRANCE HEATER NOT OCCUPIED TEMPERATURE TO BE SET AT 50°)

OCCUPIED (ON) 8 AM
 UNOCCUPIED (OFF) 10 PM

DUNHAM ASSOCIATES, INC.

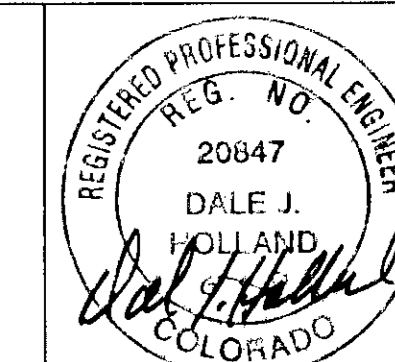
Mechanical & Electrical Engineers
 8200 Normandale Blvd., Suite 500 Minneapolis, MN 55420
 (612) 820-1400 FAX: NO. (612) 820-2670

NO.	DATE	BY	DESCRIPTION	CONST.

REVISIONS

CERTIFICATION AND SEAL

I HEREBY CERTIFY THAT THIS PLAN AND SPECIFICATION WAS PREPARED BY ME OR UNDER MY DIRECT SUPERVISION AND THAT I AM A DULY REGISTERED ARCHITECT OR ENGINEER UNDER THE LAWS OF THE STATE OF COLORADO AS SIGNIFIED BY MY HAND AND SEAL.



PROJECT NAME
Walgreens

PRAIRIE AVE. & NORTHERN AVE., PUEBLO, CO

DRAWING TITLE
 HVAC CONTROL WIRING DIAGRAMS

DATE: 3/6/98	STORE NO. 042-4721	DRAWING NO.
DRAWN BY: MALKOVICH	SCALE: NO SCALE	M2.2
CHECKED BY: KRAHN	RELEASED TO CONSTRUCTION	OF 10 DWGS.

KW 7/14/98

PROJECT TYPE

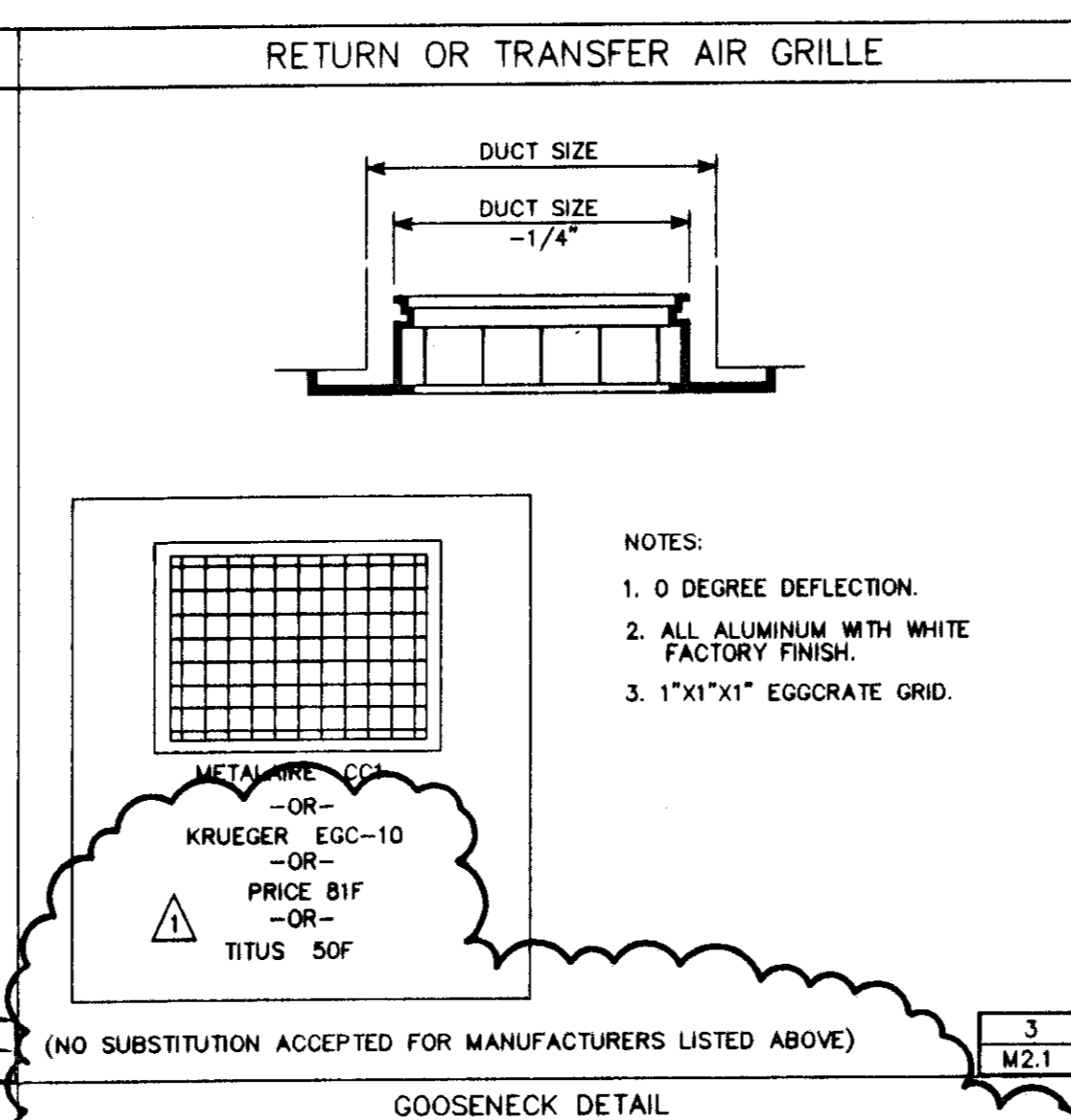
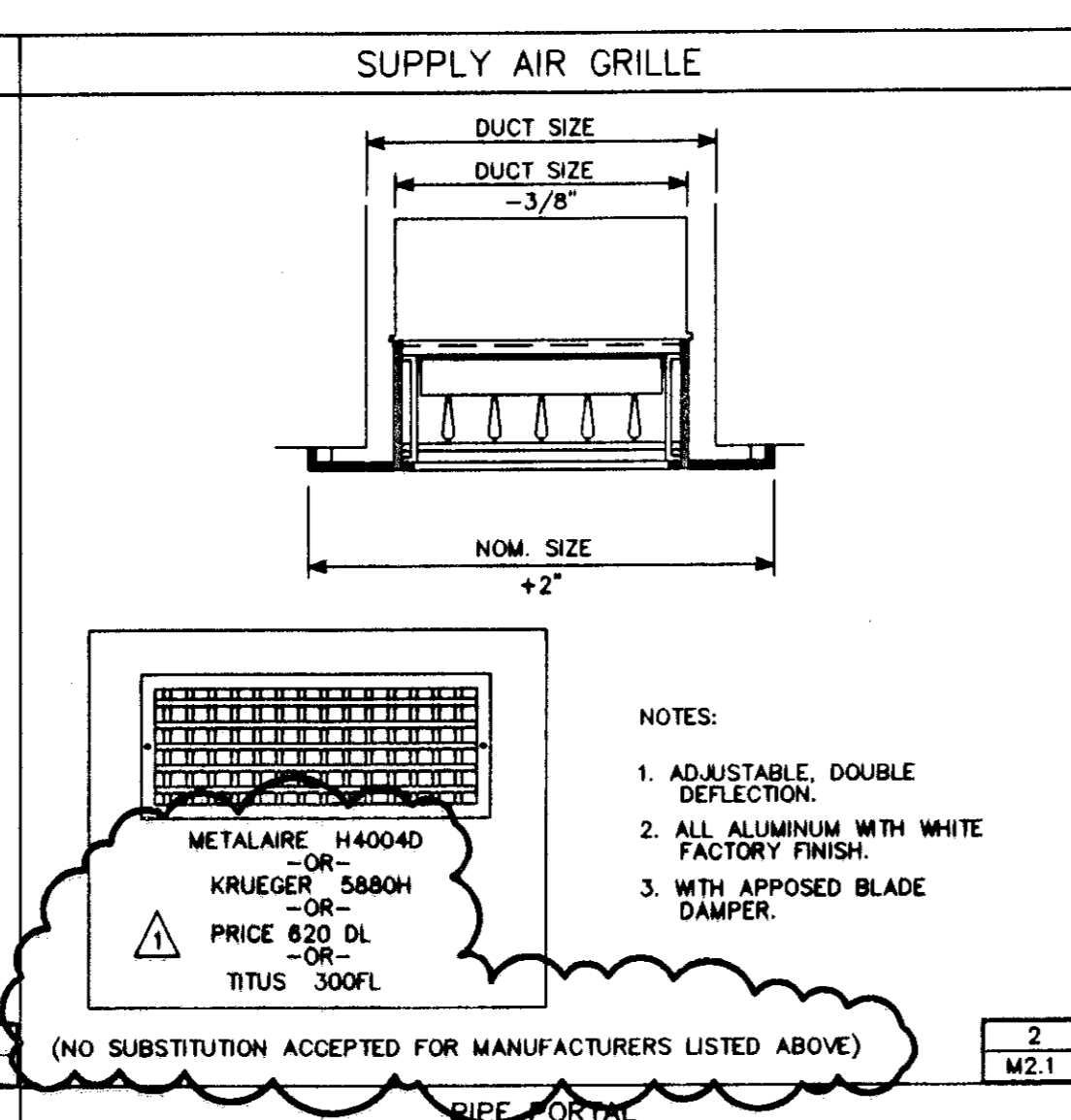
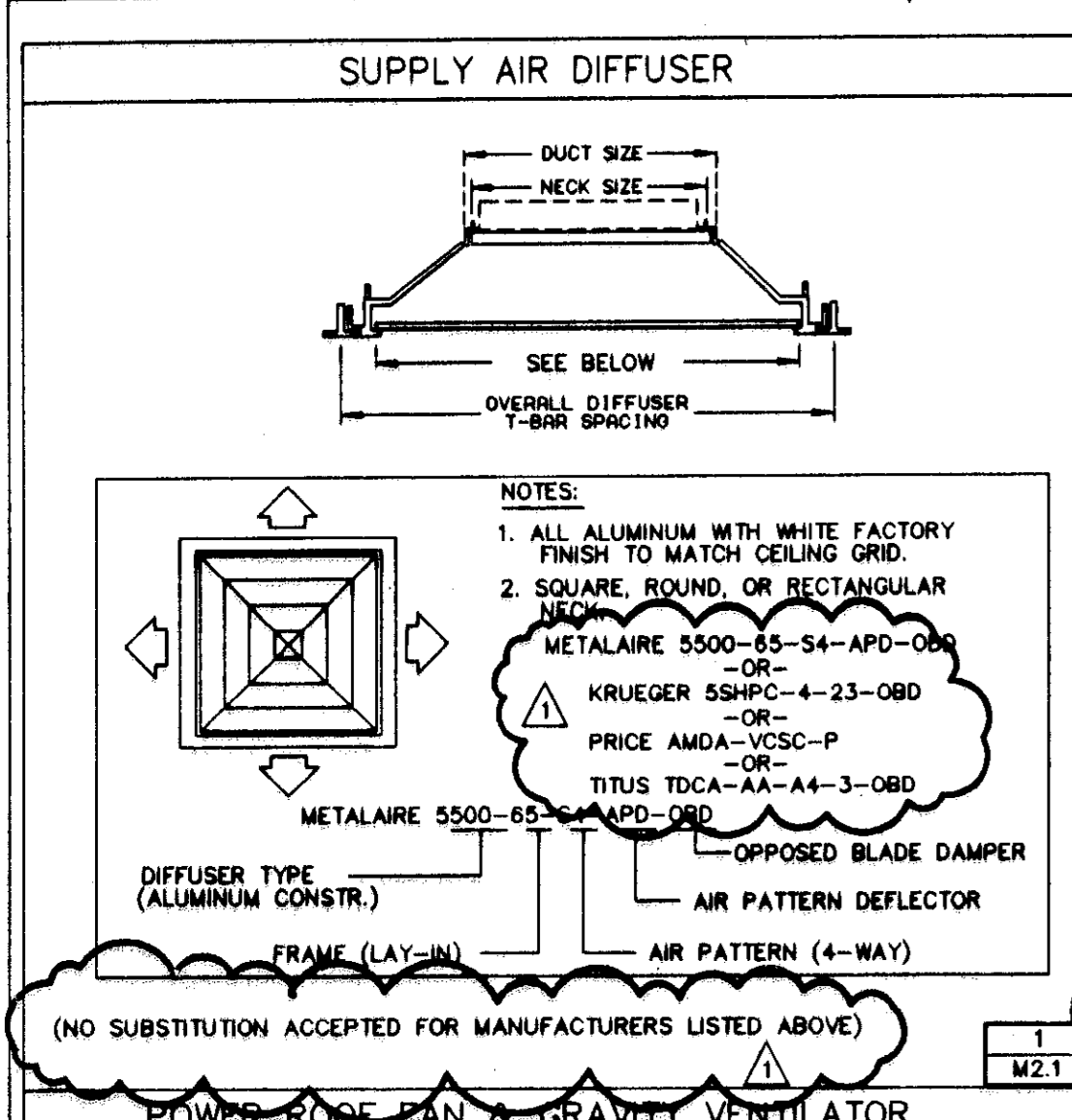
DRAWINGS/SPECIFICATIONS BY:
 WALGREENS' CONSULTANT
 LANDLORD'S CONSULTANT

ALL CONSTRUCTION WORK, UNLESS NOTED OTHERWISE, BY:
 WALGREENS' CONTRACTOR
 LANDLORD'S CONTRACTOR (TURNKEY CONSTRUCTION)

STORE BUILDING

NEW..... REMODELING...
 RELOCATION... OTHER.....

NEW..... EXISTING.....
 NEW SHELL ONLY

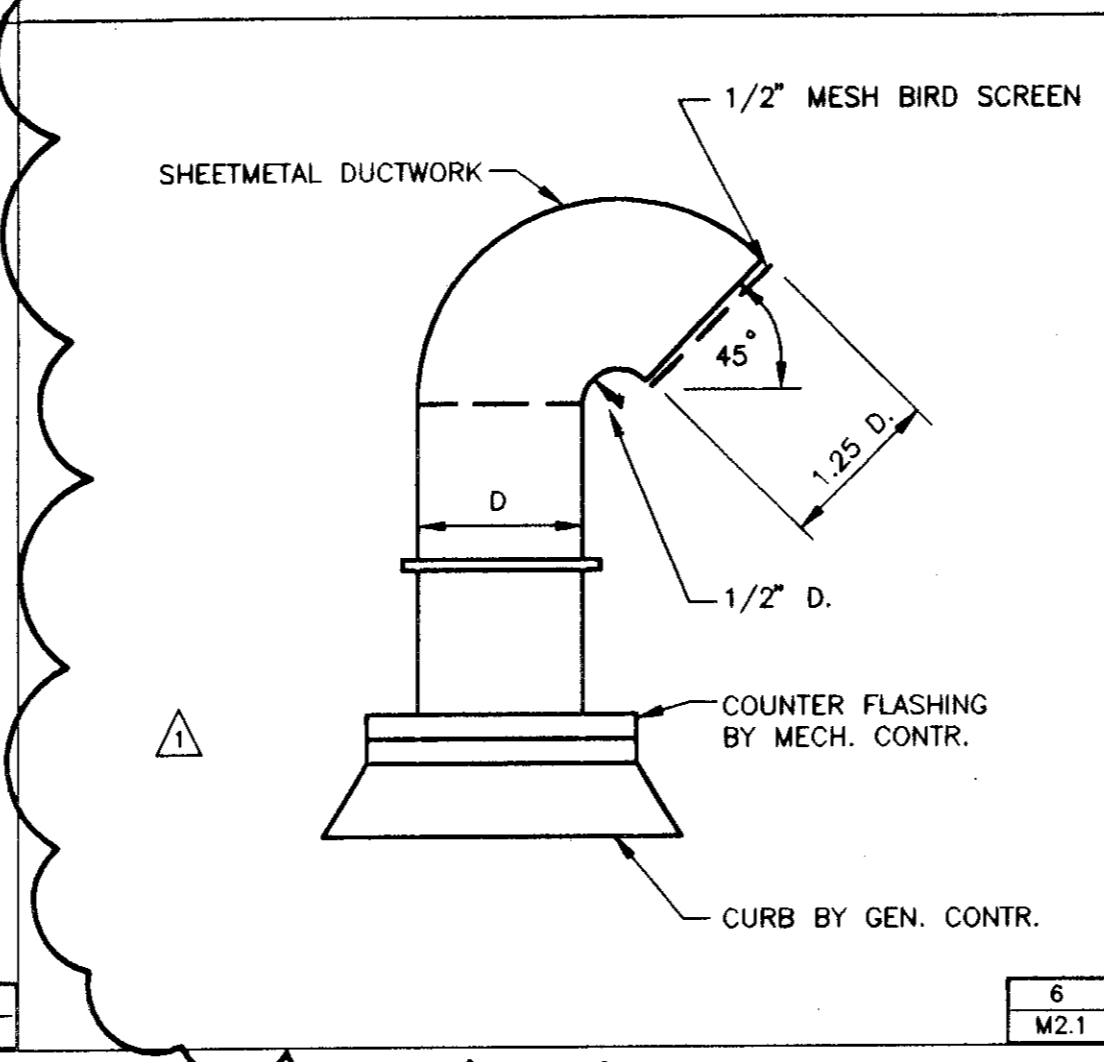
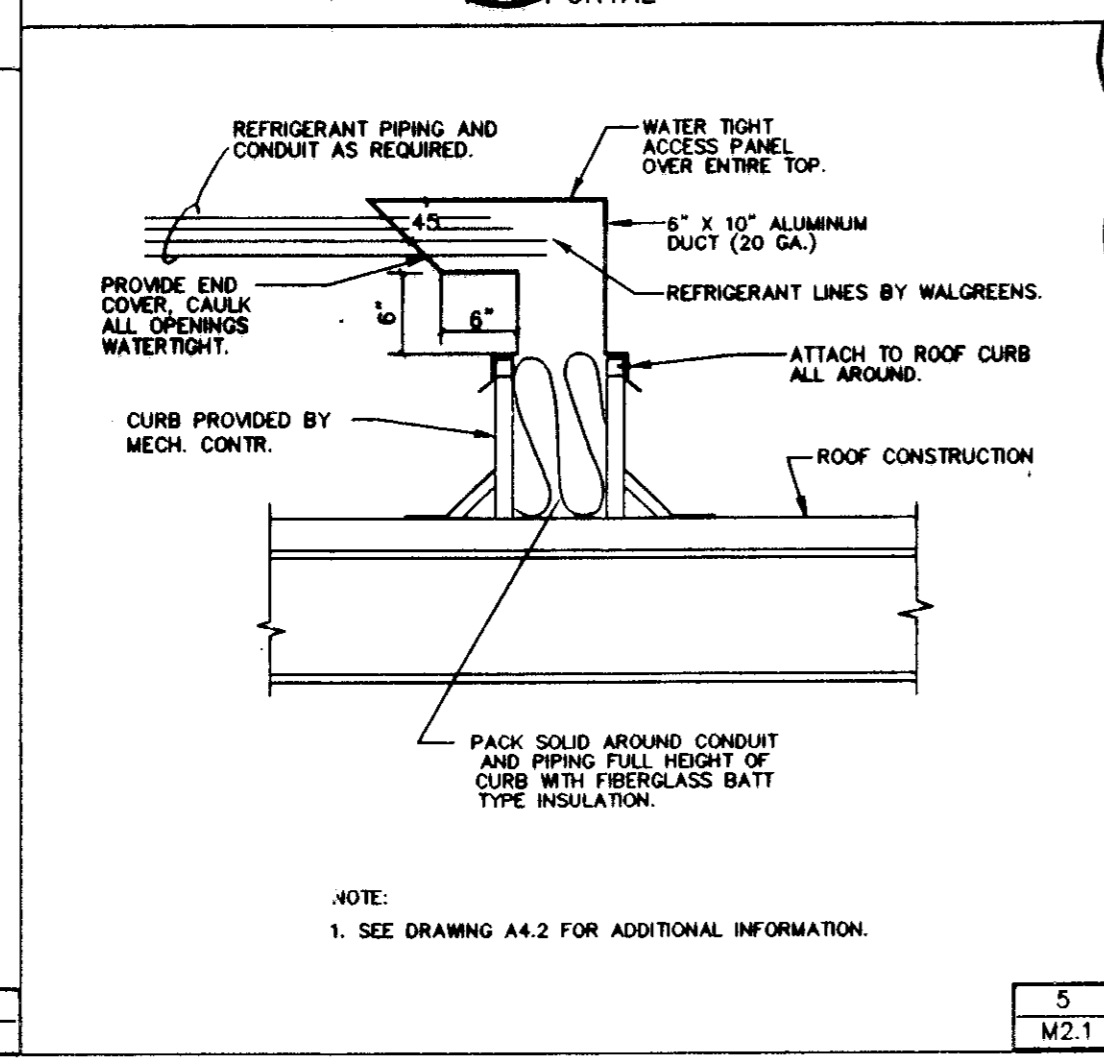
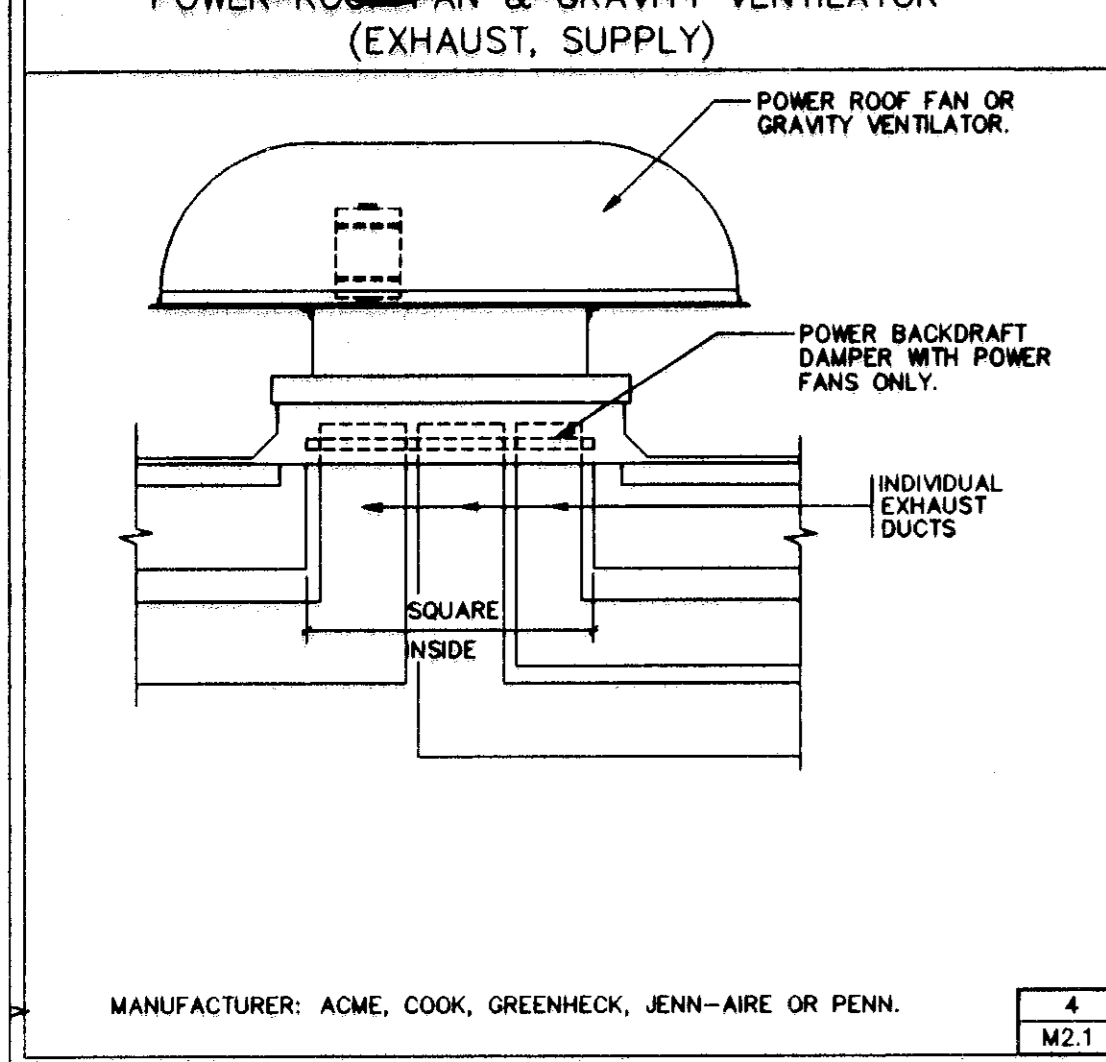


UNIT HEATER SCHEDULE

UNIT	AREA SERVED	BTU/HR INPUT	CFM	MOTOR		RPM	TYPE	MAKE AND MODEL
				HP	VOLTS PHASE			
UH-1	STOCKROOM	100,000	1250	1/30	120/1	1050	PROPELLER FAN UNIT HEATER	REZTOR FE-100
EH-1	ENTRANCE	225,000 HIGH 112,500 LOW	2000	3/4	208/3	710	ROOF MOUNTED	REZTOR RGB 225 W/2 STAGE GAS VALVE

FAN SCHEDULE

UNIT	AREA SERVED	CFM	SP.	MOTOR		RPM	TYPE	MAKE AND MODEL	REMARKS
				WATTS	VOLTS PHASE				
EF-1	OFFICE	300	.375"	121	120/1	890	CEILING FAN	GREENHECK SP-250	SOLID STATE SPEED CONTROLLER, BACKDRAFT DAMPER, ALUMINUM GRILLE
EF-2	EMPLOYEE ROOM	300	.375"	121	120/1	890	CEILING FAN	GREENHECK SP-250	SOLID STATE SPEED CONTROLLER, BACKDRAFT DAMPER, ALUMINUM GRILLE
EF-3	TOILET (MEN)	250	.25"	81	120/1	1000	CEILING FAN	GREENHECK SP-226	BACKDRAFT DAMPER, ALUMINUM GRILLE
EF-4	TOILET (WOMEN)	250	.25"	81	120/1	1000	CEILING FAN	GREENHECK SP-226	BACKDRAFT DAMPER, ALUMINUM GRILLE
EF-5	PHOTO LAB	750	.25"	385	120/1	928	IN-LINE FAN	GREENHECK CSP-280	BACKDRAFT DAMPER



HEATING/COOLING ROOF TOP UNIT SCHEDULE

NOTE: AT 95 DEG. CONDENSER ENTRANCE AIR TEMPERATURE & ARI CONDITIONS.

UNIT	AREA SERVED	FUSE SIZE MCA	BLOWER			COMPRESSOR			AIR COOLED CONDENSER		GAS FIRED FURNACE		MAKE/MODEL/WEIGHT/FILTERS		
			S.A. CFM	MIN. O.S.A. CFM	MOTOR HP	ELECT. REQ. RLA AMPS	ELECT. REQ. VOLTS PHASE	TOTAL COOLING CAPACITY	FL. HP	HP	INPUT	OUTPUT			
RTU-1	GENERAL SALES	35 AMPS 33.2	3900	825	2	460 3	(2) 10.0	460 3	96	2.9	1	460 1	250	203	TRANE/YCD103B/1528 (3) 16X20X2 DISP.
RTU-2	GENERAL SALES/ PHOTO LAB/OFFICE	35 AMPS 32.2	4450	1145	2	460 3	(2) 10.0	460 3	120	2.9	1	460 1	250	203	TRANE/YCD121B/1546 (3) 16X20X2 DISP.
RTU-3	GENERAL SALES	25 AMPS 15.9	2000	770	0.6	460 1	10.0	460 3	60	0.9	25	460 1	90	73	TRANE/YCD061C/935 (3) 16X25X1 DISP.
RTU-4	GENERAL SALES/ EMPLOYEE ROOM	25 AMPS 16.6	2500	945	1	460 3	9.7	460 3	71	0.9	25	460 1	205	166	TRANE/YCD074C/989 (3) 16X25X1 DISP.
RTU-5	PHARMACY	15 AMPS 11.8	1700	300	0.5	460 1	7.1	460 3	48	0.9	25	460 1	90	73	TRANE/YCD049C/792 (2) 20X25X1 DISP.
RTU-6	RECEIVING/ GENERAL STOCK	15 AMPS 11.8	1525	250	0.5	460 1	7.1	460 3	46	0.9	25	460 1	120	97	TRANE/YCD049C/792 (2) 20X25X1 DISP.

THE EQUIPMENT MANUFACTURER AND DATA SCHEDULED SHALL BE CONSIDERED THE BASE DESIGN. CHANGES TO OTHER CRITERIA ACCEPTABLE MANUFACTURERS MAY BE DONE ONLY IF ALL ITEMS SUCH AS (BUT NOT LIMITED TO) SPACE, WEIGHT, SERVICE, ELECTRICAL AND ALL OTHER TRADE REQUIREMENTS CAN BE SATISFIED. THE INSTALLING CONTRACTOR SHALL BE RESPONSIBLE FOR COORDINATION AND WORK PERFORMANCE OF ALL TRADES.

ROOF TOP HVAC UNITS (TONNAGE/EFFICIENCY RATING)

(MANUFACTURER SHALL BE TRANE. ONLY THE EXACT TRADE OR SIGNATURE NAME AND THE LISTED (MINIMUM ALLOWABLE) EFFICIENCY UNITS AVAILABLE FROM EACH OF THESE MANUFACTURERS WILL BE ACCEPTABLE.)

MANUFACTURER	2 / SEER	2.5 / SEER	3 / SEER	4 / SEER	5 / SEER	6 / EER	7.5 / EER
TRANE	024 10.0	030 10.0	037 12.0	049 12.0	061 12.0	074 10.0	091 10.0

ROOF TOP HVAC UNITS (TONNAGE/EFFICIENCY RATING)

(MANUFACTURER SHALL BE TRANE. ONLY THE EXACT TRADE OR SIGNATURE NAME AND THE LISTED (MINIMUM ALLOWABLE) EFFICIENCY UNITS AVAILABLE FROM EACH OF THESE MANUFACTURERS WILL BE ACCEPTABLE.)

MANUFACTURER	10 / EER	12.5 / EER	15 / EER	18 / EER	20 / EER	25 / EER
TRANE	121 10.0	151 10.0	181 10.0	211 9.7	241 9.0	300 9.3

NATIONAL ACCOUNTS

I. HVAC UNITS
 A. TRANE EQUIPMENT WILL BE UTILIZED FOR ALL STATES WEST OF THE MISSISSIPPI RIVER AND ILLINOIS, MASSACHUSETTS, NEW YORK, RHODE ISLAND, CONNECTICUT, NEW HAMPSHIRE MAINE AND VERMONT.

1. FOR TRANE EQUIPMENT, CALL ANNA SPAN HANAS @ (800)453-8954 TO COORDINATE YOUR PURCHASE ORDER AGREEMENT AND EQUIPMENT DELIVERY.

DUNHAM ASSOCIATES, INC.
 Mechanical & Electrical Engineers
 8200 Normandale Blvd., Suite 500 Minneapolis, MN 55420
 (612) 820-1400 FAX: (612) 820-2670

5/22/98 MLW WALGREENS COMMENTS

NO. DATE BY DESCRIPTION CONST.

REVISIONS

CERTIFICATION AND SEAL

I HEREBY CERTIFY THAT THIS PLAN AND SPECIFICATION WAS PREPARED BY ME OR UNDER MY DIRECT SUPERVISION AND THAT I AM A DULY REGISTERED ARCHITECT OR ENGINEER UNDER THE LAWS OF THE STATE OF COLORADO AS SIGNIFIED BY MY HAND AND SEAL.

REGISTERED PROFESSIONAL ENGINEER
 REG. NO. 20847
 DALE J. HOLLAND
 COLORADO

Walgreens

PRAIRIE AVE. & NORTHERN AVE., PUEBLO, CO

DRAWING TITLE
 MECHANICAL SCHEDULES & DETAILS

DATE: 3/6/98 STORE NO. 042-4721 DRAWING NO. M2.1
 DRAWN BY: MALKOVICH SCALE: NO SCALE
 CHECKED BY: KRAHN RELEASED TO CONSTRUCTION OF 10 DWGS.

PROJECT TYPE

DRAWINGS/SPECIFICATIONS BY:
 WALGREENS' CONSULTANT
 LANDLORD'S CONSULTANT

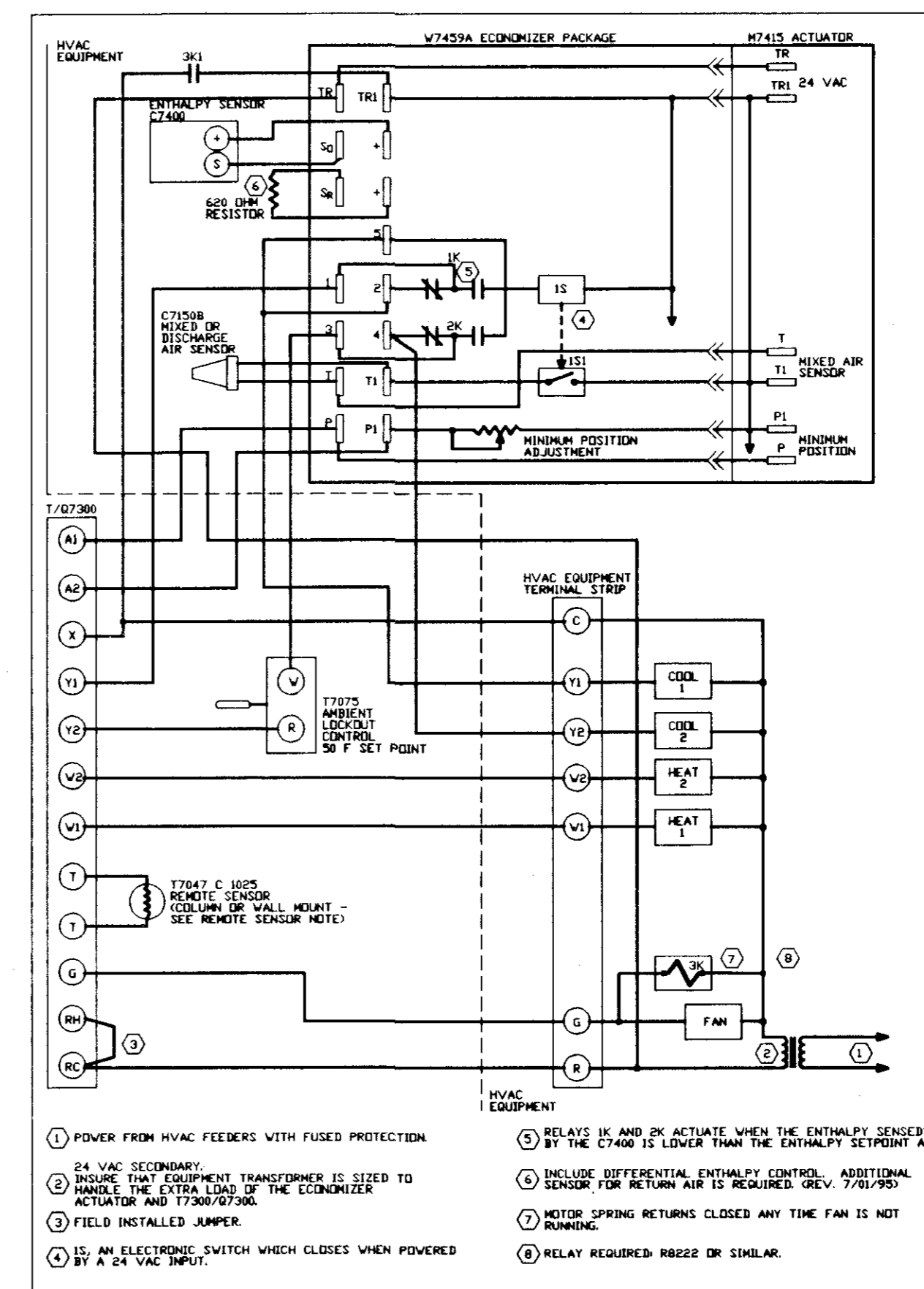
ALL CONSTRUCTION WORK, UNLESS NOTED OTHERWISE, BY:
 WALGREENS' CONTRACTOR
 LANDLORD'S CONTRACTOR (TURNKEY CONSTRUCTION)

STORE	BUILDING
NEW..... <input checked="" type="checkbox"/>	NEW..... <input checked="" type="checkbox"/>
REMODELING... <input type="checkbox"/>	EXISTING..... <input type="checkbox"/>
RELOCATION... <input type="checkbox"/>	NEW SHELL ONLY <input type="checkbox"/>
OTHER..... <input type="checkbox"/>	

BILL OF MATERIAL			
THE FOLLOWING CONTROLS TO BE FURNISHED BY TEMPERATURE CONTROL CONTRACTOR			
NO.	QUANTITY	MAKE	REMARKS
T1	1 (PER UNIT)	HONEYWELL T7075B1006	-20°F TO 80°F SCALE 1 DEGREE DIFFERENCE (USE AS COMPRESSOR LOCKOUT SET AT 50°F).
T2	1 (PER UNIT)	HONEYWELL T7300A1005 MODEL Q7300A1018	NOTE: FOR PHARMACY UNIT USE T7300/Q7300B1008 (SWITCHING BASE)
	1 (PER UNIT)	HONEYWELL T7047C1025	REMOTE SENSOR (NOTE: EXCEPT PHARMACY UNIT)

REMOTE SENSOR NOTE

REMOTE SENSOR (T7047C1025) IS TO BE MOUNTED ON COLUMN (OR WALL), 6'-0" A.F.F. WITH THE SUBBASE (T7300) LOCATED IN OFFICE. CONNECT REMOTE SENSOR TO T-T TERMINALS OF SUBBASE VIA TWO (2) #16 AWG SHIELDED, TWISTED PAIR WIRES. SEE DEN 8761. SEE CONTROL WIRING DIAGRAM. (NOTE: NOT TO INCLUDE PHARMACY UNIT).



T7300/Q7300 DEFEATING ECONOMIZER MINIMUM POSITION DURING UNOCCUPIED IN A TWO STAGE COOLING SYSTEM WITH SINGLE ENTHALPY CHANGEDOVER USING M7455A/C7400 WITH AN M7415 ACTUATOR.

HVAC CONTROL DIAGRAM (EACH UNIT)

NOTE:
 ABOVE WIRING DIAGRAM ARRANGEMENT IS APPLICABLE FOR PROJECTS WITH THE ECONOMIZER SYSTEM.

NO SUBSTITUTIONS FOR HONEYWELL

HONEYWELL T7300'S LABELED WITH CARRIER LOGO ARE ACCEPTABLE. TRANE EQUIPMENT WILL UTILIZE TRANE TEMPERATURE CONTROL. CHECK WITH LOCAL EQUIPMENT DEALER TO VERIFY MODEL NUMBERS.

PROGRAM	
1) COOLING 76°F	1) OCCUPIED SALES AND PHARMACY
2) HEATING 72°F	2) OCCUPIED GENERAL STOCKROOM
1) COOLING 78°F	1) NOT OCCUPIED SALES/GENERAL STOCKROOM
2) HEATING 68°F	2) NOT OCCUPIED PHARMACY
1) COOLING 85°F	1) UNOCCUPIED (ON) 8 AM
2) HEATING 60°F	UNOCCUPIED (OFF) 10 PM

(NOTE: ENTRANCE HEATER NOT OCCUPIED TEMPERATURE TO BE SET AT 50°)

DUNHAM ASSOCIATES, INC.

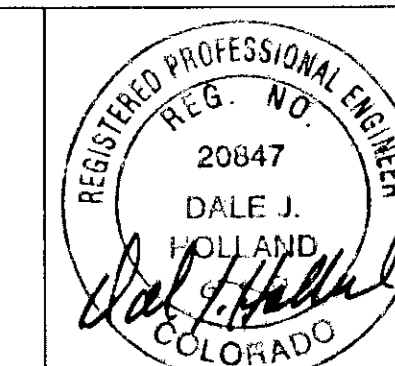
Mechanical & Electrical Engineers
 8200 Normandale Blvd., Suite 500 Minneapolis, MN 55420
 (612) 820-1400 FAX: NO. (612) 820-2670

NO.	DATE	BY	DESCRIPTION	CONST.

REVISIONS

CERTIFICATION AND SEAL

I HEREBY CERTIFY THAT THIS PLAN AND SPECIFICATION WAS PREPARED BY ME OR UNDER MY DIRECT SUPERVISION AND THAT I AM A DULY REGISTERED ARCHITECT OR ENGINEER UNDER THE LAWS OF THE STATE OF COLORADO AS SIGNIFIED BY MY HAND AND SEAL.



PROJECT NAME
Walgreens

PRAIRIE AVE. & NORTHERN AVE., PUEBLO, CO

DRAWING TITLE
 HVAC CONTROL WIRING DIAGRAMS

DATE: 3/6/98	STORE NO. 042-4721	DRAWING NO.
DRAWN BY: MALKOVICH	SCALE: NO SCALE	M2.2
CHECKED BY: KRAHN	RELEASED TO CONSTRUCTION	OF 10 DWGS.

KW 7/14/98