

HOOD INFORMATION - JOB#6676696

HOOD NO	TAG	MODEL	MANUFACTURER	LENGTH	MAX COOKING TEMP	TYPE	APPLIANCE DUTY	DESIGN CFM/FT	TOTAL EXH CFM	EXHAUST PLENUM RISER(S)				MUA CFM	AC CFM	HOOD CONSTRUCTION	HOOD CONFIG				
										WIDTH	LENG	HEIGHT	DIA				CFM	VEL	SP	END TO END	ROW
01		5430	CAPTIVEAIRE	12' 0"	600 DEG	01	HEAVY	225	2700			4'	16"	2700	1934	-1.008"	2160	650	430 SS	ALONE	ALONE

HOOD INFORMATION

HOOD NO	TAG	FILTER(S)				LIGHT(S)				UTILITY CABINET(S)				FIRE SYSTEM PIPING	HOOD HANGING WEIGHT			
		TYPE	QTY	HEIGHT	LENGTH	EFFICIENCY @ 7 MICRONS	QTY	TYPE	WIRE GUARD	LOCATION	SIZE	TYPE	SIZE			MODEL #	QUANTITY	SWITCHES
01		CAPTRATE SOLID FILTER	9	20"	16"	85% SEE FILTER SPEC	4	L55 SERIES E26	NO	LEFT	12"x54"x30"	TANK FS	4.0/4.0	DCV-1111	1 LIGHT	1 FAN	YES	1192 LBS

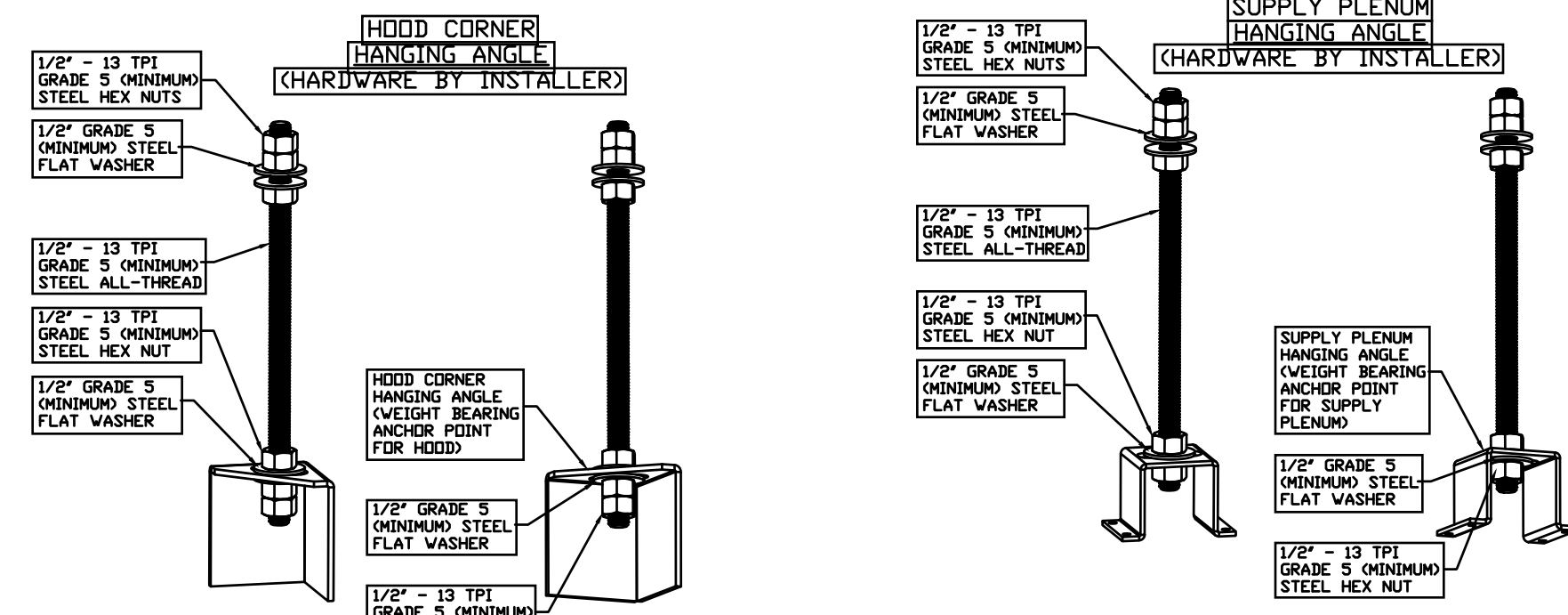
HOOD OPTIONS

HOOD NO	TAG	OPTION
01		BACKSPLASH 108.00" HIGH X 240.00" LONG 430 SS VERTICAL
01		BACKSPLASH 108.00" HIGH X 192.00" LONG 430 SS VERTICAL
01		LEFT QUARTER END PANEL 23" TOP WIDTH, 0" BOTTOM WIDTH, 23" HIGH 430 SS
01		STRUCTURAL FRONT PANEL
01		RIGHT VERTICAL END PANEL 27" TOP WIDTH, 21" BOTTOM WIDTH, 80" HIGH INSULATED 430 SS
01		GFCI DUPLEX OUTLET, 20A 125V - HOOD FRONT RIGHT - VERTICAL - DIST FROM END: 60.00 DIST FROM BOTTOM: 4.75

BACKSPLASH IS NOT INSULATED AND IS UNSUITABLE FOR INSTALL AGAINST COMBUSTIBLE WALLS.

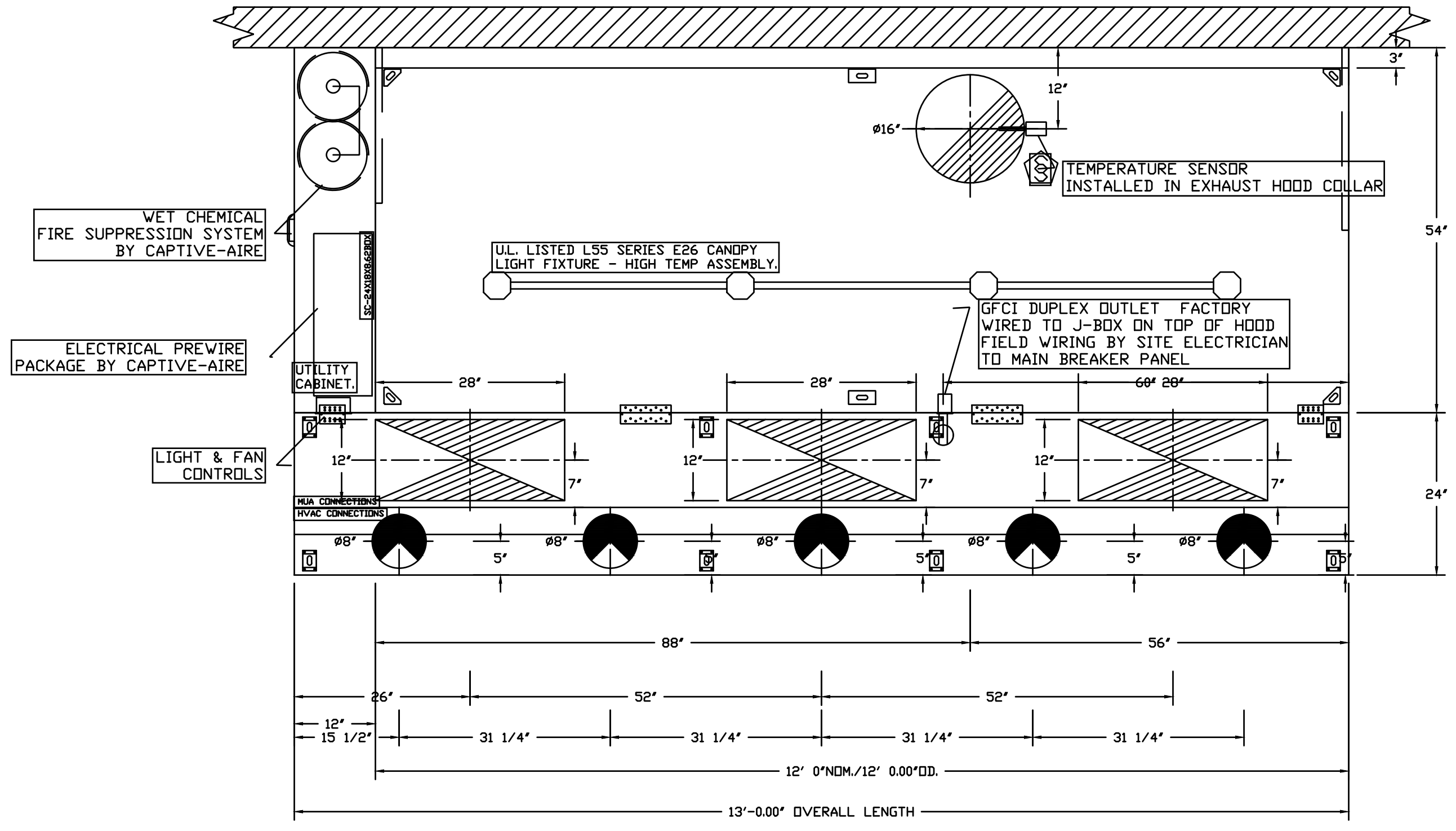
PERFORATED SUPPLY PLENUM(S)

HOOD NO	TAG	POS	LENGTH	WIDTH	HEIGHT	TYPE	RISER(S)			
							WIDTH	LENG	DIA	CFM
01	Front	156'	24'	6'	MUA	12"	28"		720	0.195"
					MUA	12"	28"		720	0.195"
					MUA	12"	28"		720	0.195"
					AC			8"	130	0.053"
					AC			8"	130	0.053"
					AC			8"	130	0.053"
					AC			8"	130	0.053"
					AC			8"	130	0.053"

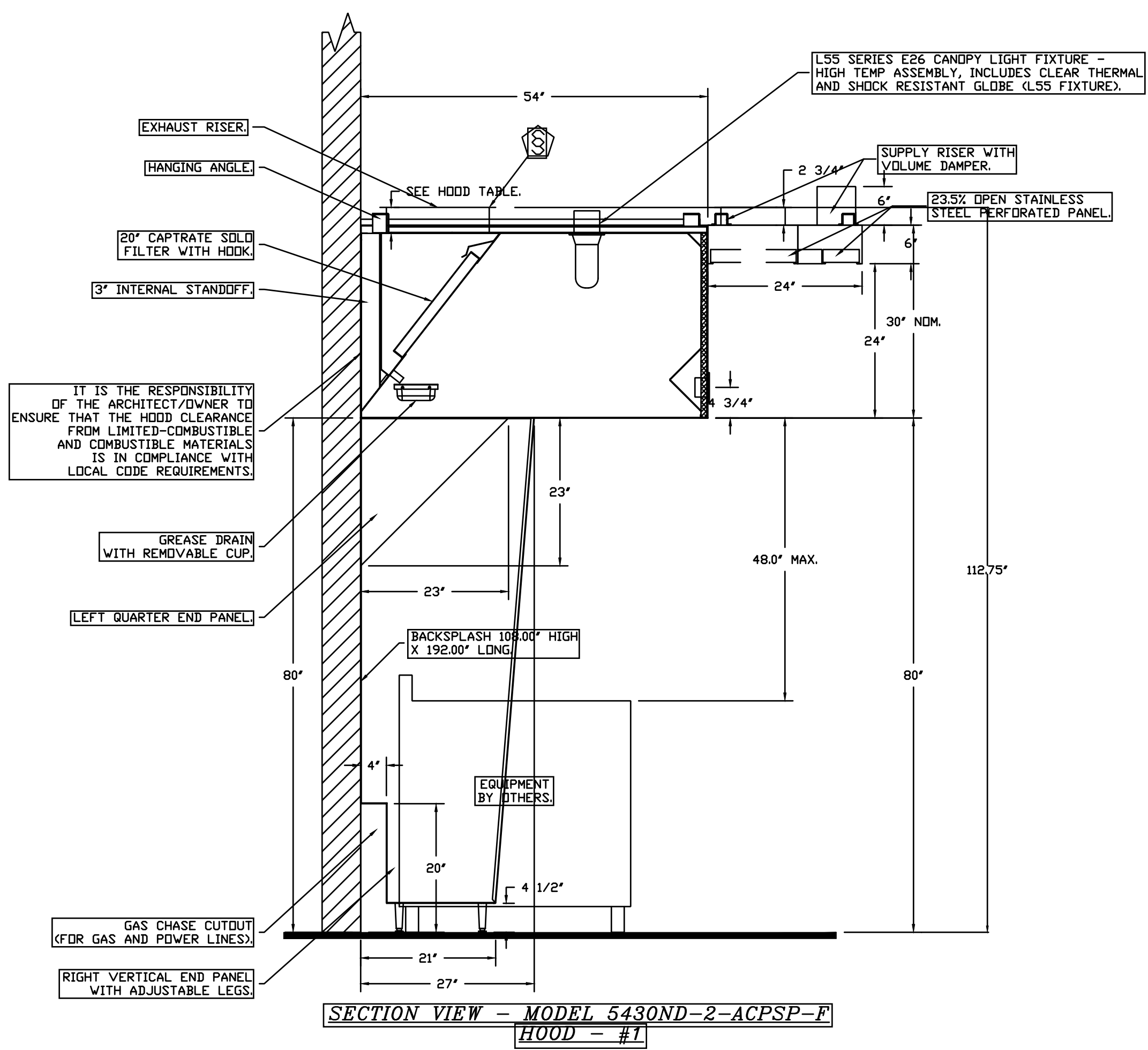


ASSEMBLY INSTRUCTIONS

HANGING ANGLE MUST BE SUPPORTED WITH 1/2" - 13 TPI GRADE 5 (MINIMUM) ALL-THREAD. SANDWICH HANGING ANGLES AND CEILING ANCHOR POINTS WITH 1/2" GRADE 5 (MINIMUM) STEEL FLAT WASHERS AND 1/2" - 13 TPI GRADE 5 (MINIMUM) HEX NUTS AS SHOWN. MUST USE DOUBLED HEX NUT CONFIGURATION BENEATH HOOD HANGING ANGLES AND ABOVE CEILING ANCHORS. MAINTAIN 1/4" OF EXPOSED THREADS BENEATH BOTTOM HEX NUT. TORQUE ALL HEX NUTS TO 57 FT-LBS.



PLAN VIEW - HOOD #1
12' 0.00" LONG 5430ND-2-ACPSP-F
NOTE: ADDITIONAL HANGING ANGLES PROVIDED FOR HOODS 12' AND LONGER
ACPSP SHIPS LOOSE FOR FIELD INSTALLATION



SECTION VIEW - MODEL 5430ND-2-ACPSP-F
HOOD - #1

IT IS THE RESPONSIBILITY OF THE ARCHITECT/OWNER TO ENSURE THAT THE HOOD CLEARANCE FROM LIMITED-COMBUSTIBLE AND COMBUSTIBLE MATERIALS IS IN COMPLIANCE WITH LOCAL CODE REQUIREMENTS.

2700 CFM IN 16" DIA. EXHAUST COLLAR = 1934 FPM
HOOD CONSTRUCTION OF 18 GAUGE AND 20 GAUGE METAL

CALCULATIONS UTILIZED

Calculations utilized are based on the hood's ETL Listing
Exhaust CFM = 12 foot X 225 CFM/lin. ft. (load) = 2700 CFM
Supply CFM = 2700 Exhaust CFM X 80 percent = 2160 CFM

Total Duct Area = 144 X $\frac{CFM}{FPM}$ (note 1)
Duct Length = $\frac{\text{Total Duct Area}}{\text{Duct Depth}}$ (note 2)

1) Captive-Aire ventilator duct sizes are calculated using an Exhaust velocity of 1000-1800 FPM and a Supply velocity of 800-1000 FPM
2) Please consult factory for maximum allowable duct sizes

CAPTIVE-AIRE HOODS ARE BUILT IN COMPLIANCE WITH

NFPA #96
UL 710 & ULC710 STANDARDS
[E.T.L. LISTED 3054804-001]

FOR QUESTIONS, EMAIL THE CaptiveAire Dallas Sales Office
PHONE: (214) 220-3999
EMAIL: reg45@captiveaire.com

ALL HVAC SUPPLY DIFFUSERS WITHIN 10' OF THE EXHAUST HOOD MUST BE PERFORATED SCREEN STYLE WITH NO DIRECTIONAL VANES. HVAC AIR MUST NOT BLOW AT THE EXHAUST HOOD OR THE APPLIANCES

ALL HVAC RETURN GRILLS MUST BE AT LEAST 10' FROM THE EXHAUST HOOD
THE BACK OF THE FRYERS SHOULD BE NO MORE THAN 6' FROM THE WALL
REFER TO HOOD MANUAL FOR PROPER INSTALLATION

CAPTIVE-AIRE HOOD PACKAGE AS SHOWN IS OWNER PROVIDED

CONSULTANT:

CASE Engineering Inc.
796 Mesa Court
St. Louis, MO 63026
T: 636.449.1600
F: 636.449.1730

CLIENT:

15505 WRIGHT BROTHERS DRIVE
ADDITION, TX 75001
TELEPHONE: (972) 686-6500
FAX: (972) 686-6502

DISCLAIMER:
THESE DRAWINGS, IDEAS, SPECIFICATIONS AND DESIGNS ARE EXCLUSIVE PROPERTY OF WINGSTOP RESTAURANTS, INC. NO PART OF THESE DRAWINGS MAY BE COPIED, REPRODUCED, OR OTHER STRUCTURES BUILT FROM SUCH WITHOUT THE WRITTEN CONSENT OF WINGSTOP RESTAURANTS, INC.

COPYRIGHT © 2024
WINGSTOP RESTAURANTS, INC.
ALL RIGHTS RESERVED

PROJECT INFORMATION:

WING-STOP
STORE NUMBER: GL#AB246
STERLING POINTE
900 STERLING PARKWAY, SUITE 20
LINCOLN, CA 95648

SEAL:

6/5/24
DATE

PROJECT NO.: 2024-0056
DRAWN BY: JJV
CHECKED BY: MRC

ISSUE: DATE:
FOR PERMIT & BID 2024-03-25

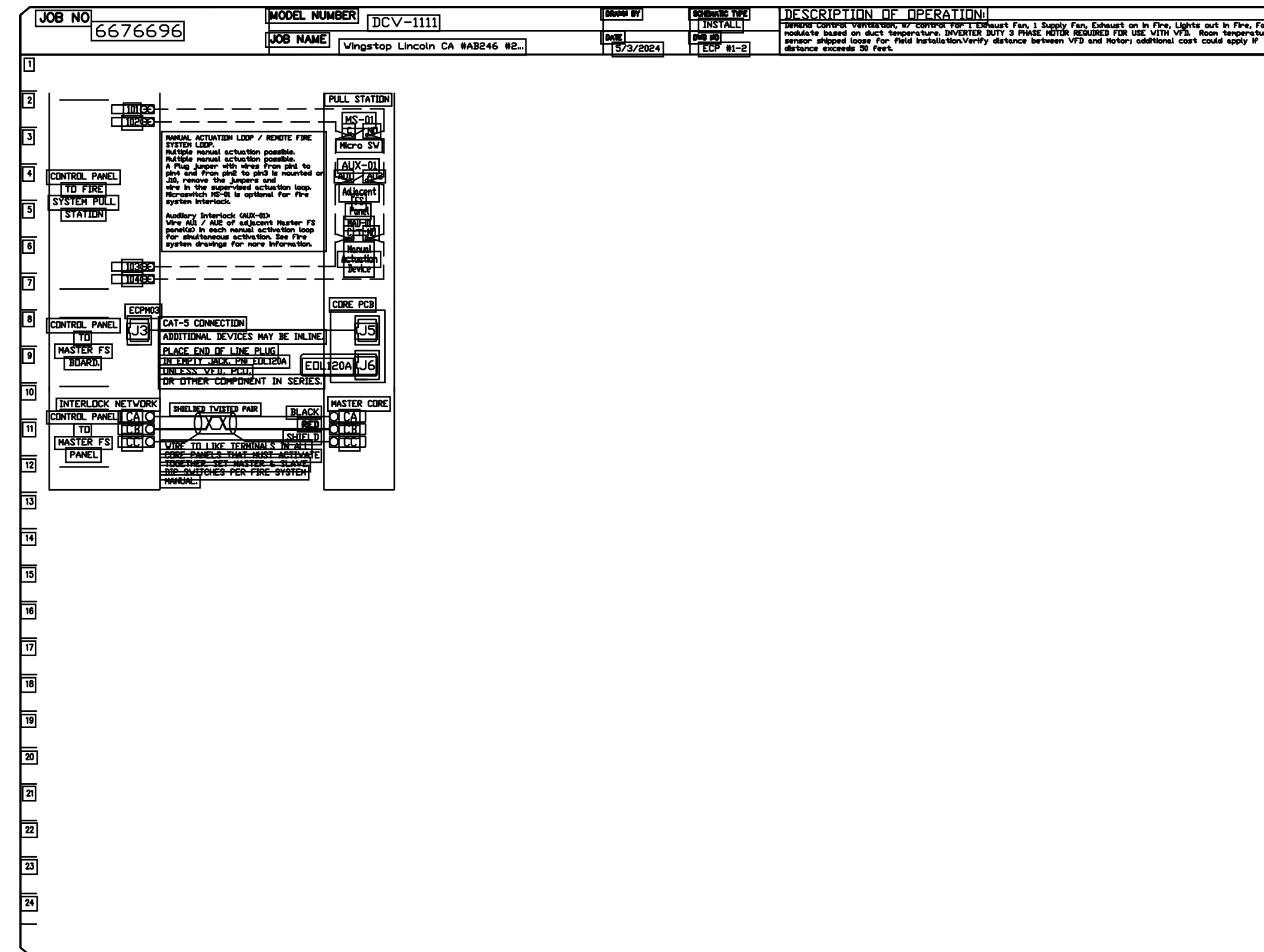
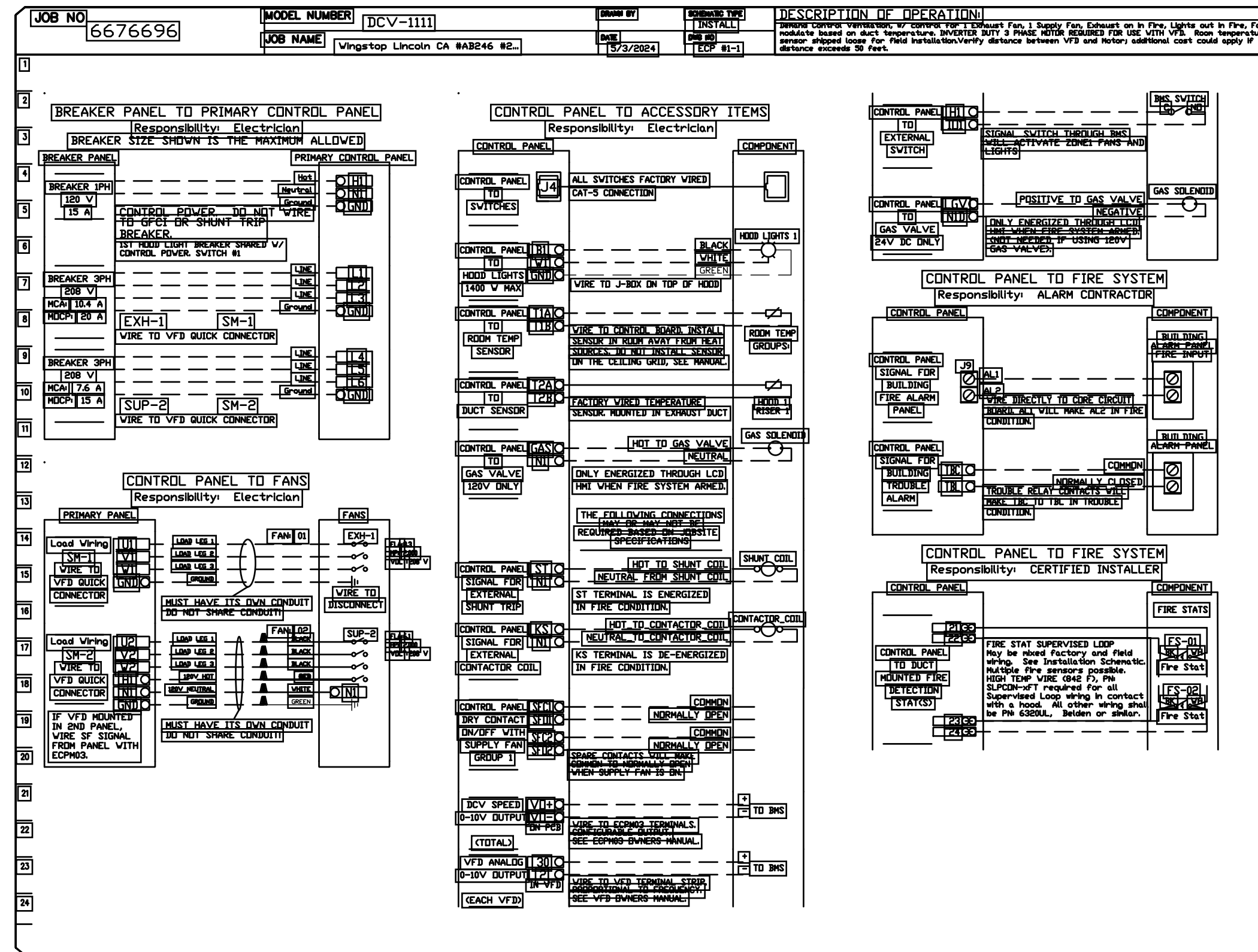
REVISION: DATE:
REV 01 2024-05-10
REV 02 2024-06-05

PROJECT LOCATION:
LINCOLN, CA

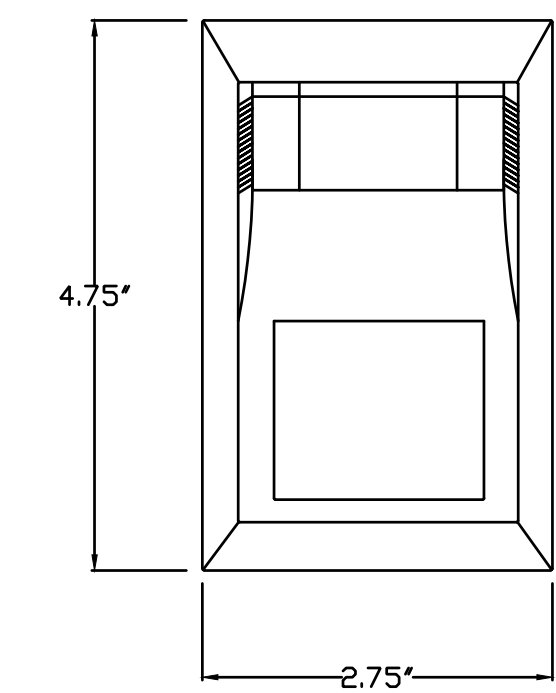
SHEET NUMBER / TITLE:
H1

ELECTRICAL PACKAGE - JOB#6676696

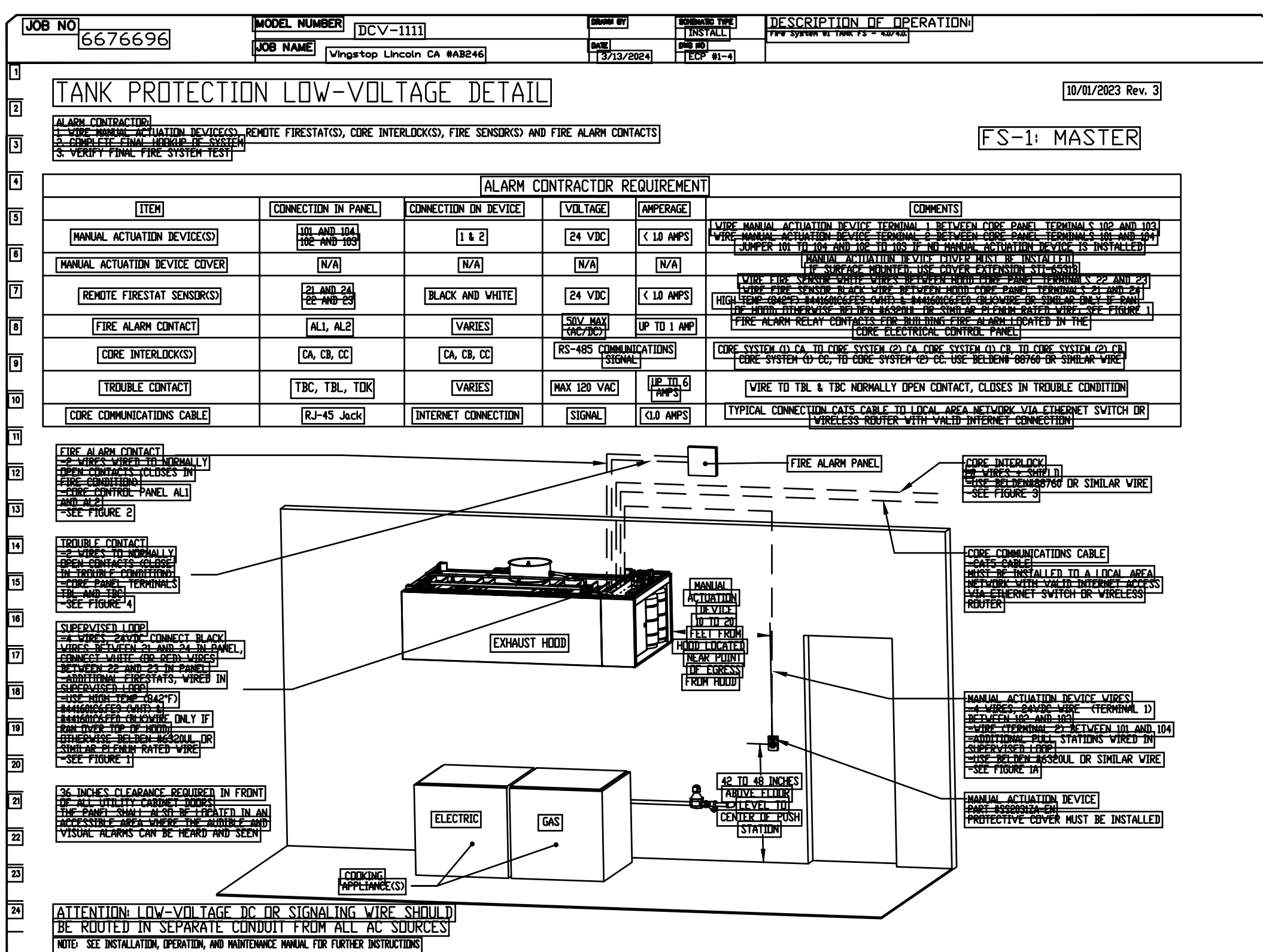
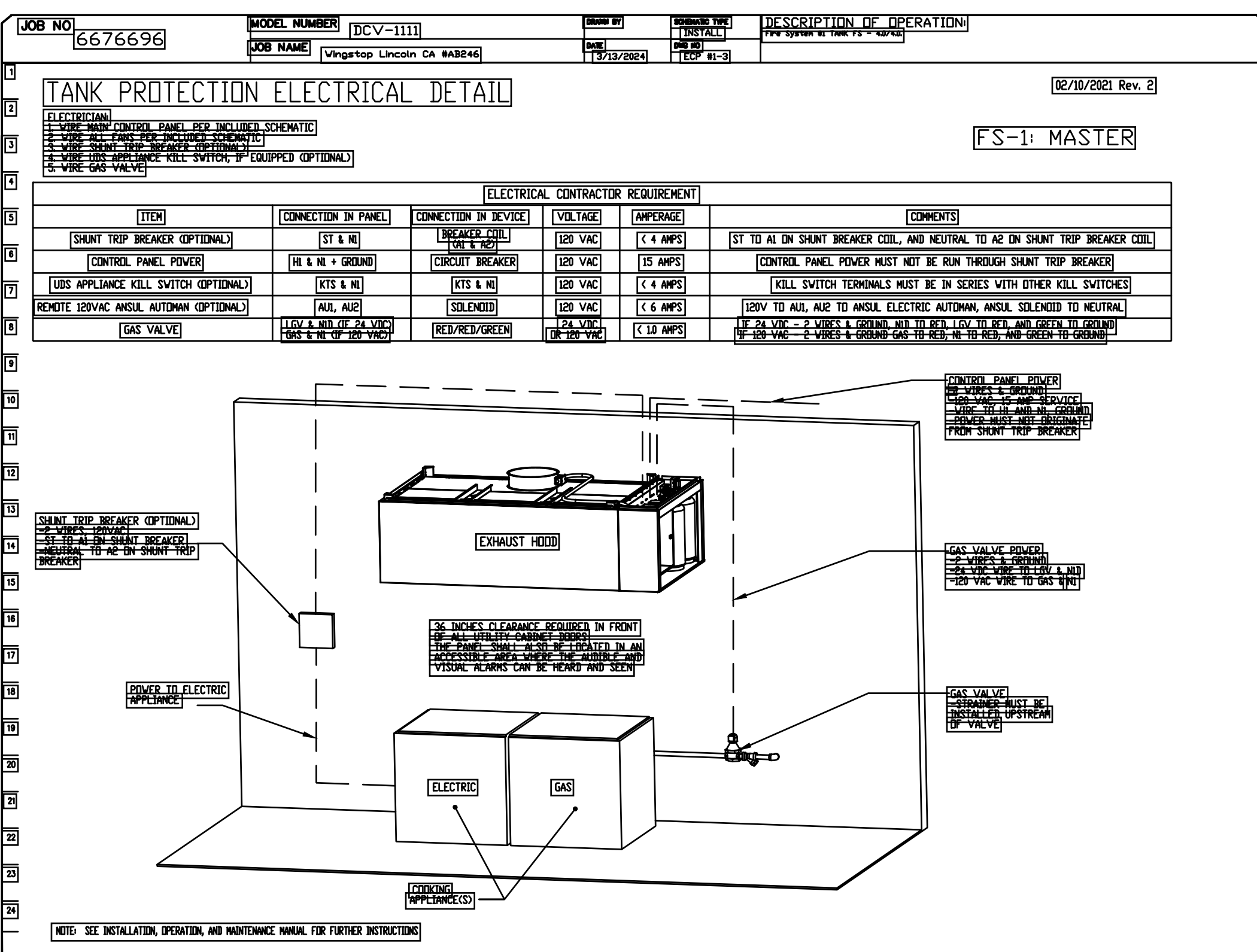
NO.	TAG	PACKAGE #	LOCATION	SWITCHES		OPTION	FANS CONTROLLED				
				LOCATION	QUANTITY		TYPE	HP	VOLTY	FLA	
1		DCV-1111	UTILITY CABINET LEFT	UTILITY CABINET LEFT	1 LIGHT	SMART CONTROLS DCV	EXHAUST	3	2,000	208	8.3
				HOOD # 1	1 FAN		SUPPLY	3	2,000	208	6.1



ROOM TEMPERATURE SENSOR



ROOM TEMPERATURE SENSOR:
To be installed on the wall 48" to 60" AFF to read the ambient temperature of the kitchen. Do not install close to the hood or near other heat/cold producing appliances or under a HVAC supply grill. Ideal location provides an ambient temperature of the kitchen.



CAPTIVE-AIRE HOOD PACKAGE AS SHOWN IS OWNER PROVIDED

CONSULTANT:

CASE Engineering Inc.

T 616.449.1600
F 616.449.1700
796 Adams Court
St. Louis, MO 63102

CLIENT:

15505 WRIGHT BROTHERS DRIVE
ADDITION, TX 75001
TELEPHONE: (972) 686-6500
FAX: (972) 686-6502

DISCLAIMER:
THESE DRAWINGS, IDEAS, SPECIFICATIONS AND DESIGNS ARE EXCLUSIVE PROPERTY OF WINGSTOP RESTAURANTS, INC. NO PART OF THESE DRAWINGS MAY BE COPIED, REPRODUCED, OR OTHER STRUCTURES BUILT FROM SUCH WITHOUT THE WRITTEN CONSENT OF WINGSTOP RESTAURANTS, INC.

COPYRIGHT © 2024
WINGSTOP RESTAURANTS, INC.
ALL RIGHTS RESERVED

PROJECT INFORMATION:

WINGSTOP

STORE NUMBER: GL#AB246
STERLING POINTE
900 STERLING PARKWAY, SUITE 20
LINCOLN, CA 95648

9/5/24 DATE

PROJECT NO.: 2024-0056
DRAWN BY: JJV
CHECKED BY: MRC

ISSUE: DATE:
FOR PERMIT & BID 2024-03-25

REVISION: DATE:
REV 01 2024-05-10
REV 02 2024-06-05

PROJECT LOCATION:
LINCOLN, CA

SHEET NUMBER / TITLE:
H3

EXHAUST FAN INFORMATION - JOB#6676696

FAN UNIT NO	TAG	QTY	FAN UNIT MODEL #	MANUFACTURER	CFM	ESP	RPM	MOTOR ENCL	HP	BHP	PHASE	VOLT	FLA	DISCHARGE VELOCITY	WEIGHT (LBS)	SONES
1		1	EADUI80H	ECON-AIR	2700	1.200	1159	DDP, PREMIUM	2.000	1.1520	3	208	8.3	624 FPM	183	13.9

MUA FAN INFORMATION - JOB#6676696

FAN UNIT NO	TAG	QTY	FAN UNIT MODEL #	BLOWER	HOUSING	MIN CFM	DESIGN CFM	ESP	RPM	MOTOR ENCL	HP	BHP	PHASE	VOLT	FLA	MCA	MDCP	EVAP FLOW RATE (GAL/HR)	EVAP COOLER ENTERING DB TEMP	EVAP COOLER LEAVING WB TEMP	EVAP COOLER ENTERING WB TEMP	EVAP COOLER LEAVING DB TEMP	EVAP COOLER LEAVING WB TEMP	WEIGHT (LBS)	SONES
2		1	EA-AI-15D	15MF-1-MOD	A1		2160	0.500	2065	DDP, PREMIUM	2.000	1.3840	3	208	6.1	7.7A	15A	3.59	100.0°F	69.0°F	79.0°F	69.0°F	529	29.3	

FAN OPTIONS

FAN UNIT NO	TAG	QTY	DESCRIPTION
1		1	GREASE BOX
		1	2 YEAR PARTS WARRANTY
2		1	SIZE 1 UNTEMPERED COMMERCIAL DOWN DISCHARGE FOR DIRECT DRIVE AHUS
		1	EVAPORATIVE COOLER WIRING HARNESS
		1	SEPARATE 120V WIRING PACKAGE (REQUIRED) AND USED ONLY FOR DCV OR PREWIRE WITH VFD) - THREE PHASE ONLY
		1	FREEZE PROTECTION DRAIN KIT FOR EVAPORATIVE COOLERS
		1	MOTORIZED BACKDRAFT DAMPER FOR SIZE 1 HOUSING - MEETS AMCA CLASS 1A RATING
		1	2 YEAR PARTS WARRANTY

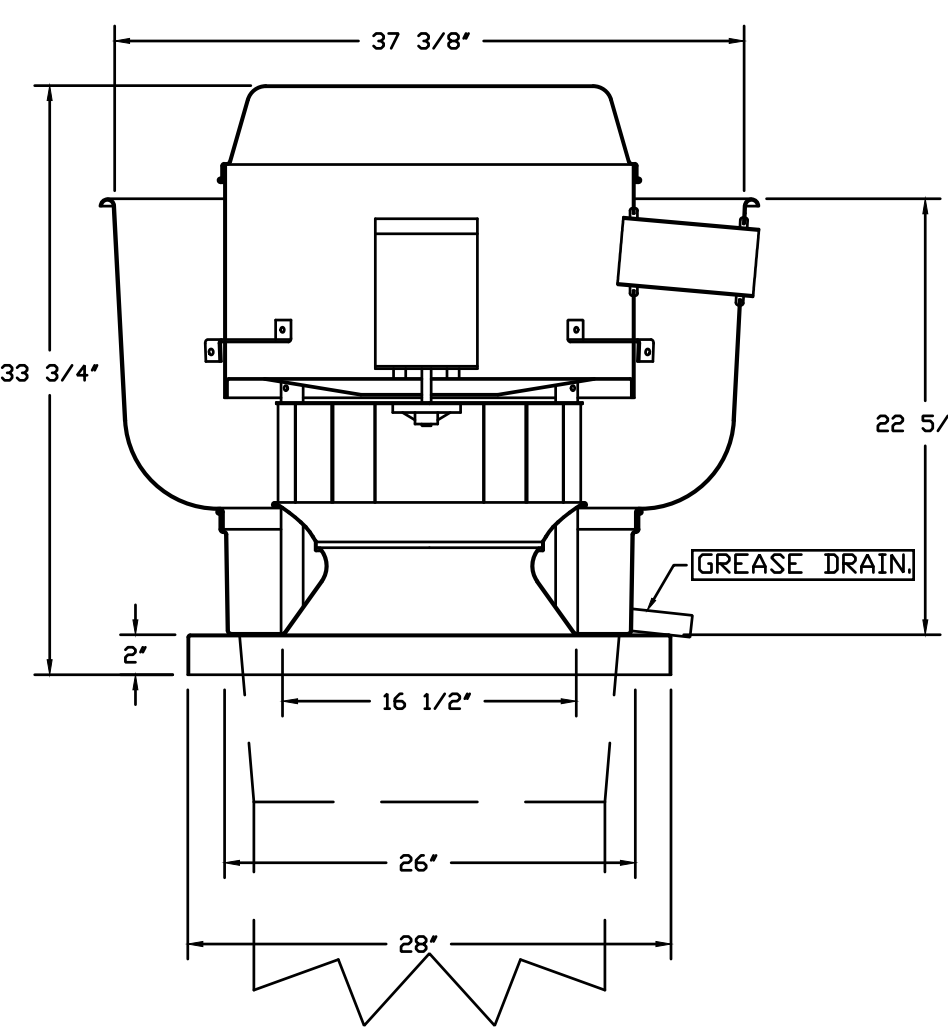
FAN ACCESSORIES

FAN UNIT NO	TAG	EXHAUST				SUPPLY				
		GREASE CUP	GRAVITY DAMPER	WALL MOUNT	SIDE DISCHARGE	GRAVITY DAMPER	MOTORIZED DAMPER	WALL MOUNT		
1		YES							YES	
2										

CURB ASSEMBLIES

ID	DN FAN	WEIGHT	ITEM	SIZE
1	# 1	52 LBS	CURB	26.500"W X 26.500"L X 24.000"H VENTED HINGED
2	# 2	39 LBS	CURB	21.000"W X 21.000"L X 20.000"H
	# 2		RAIL	4.000"W X 4.000"L X 36.000"H

FAN #1 BU180HA - EXHAUST FAN



FEATURES:

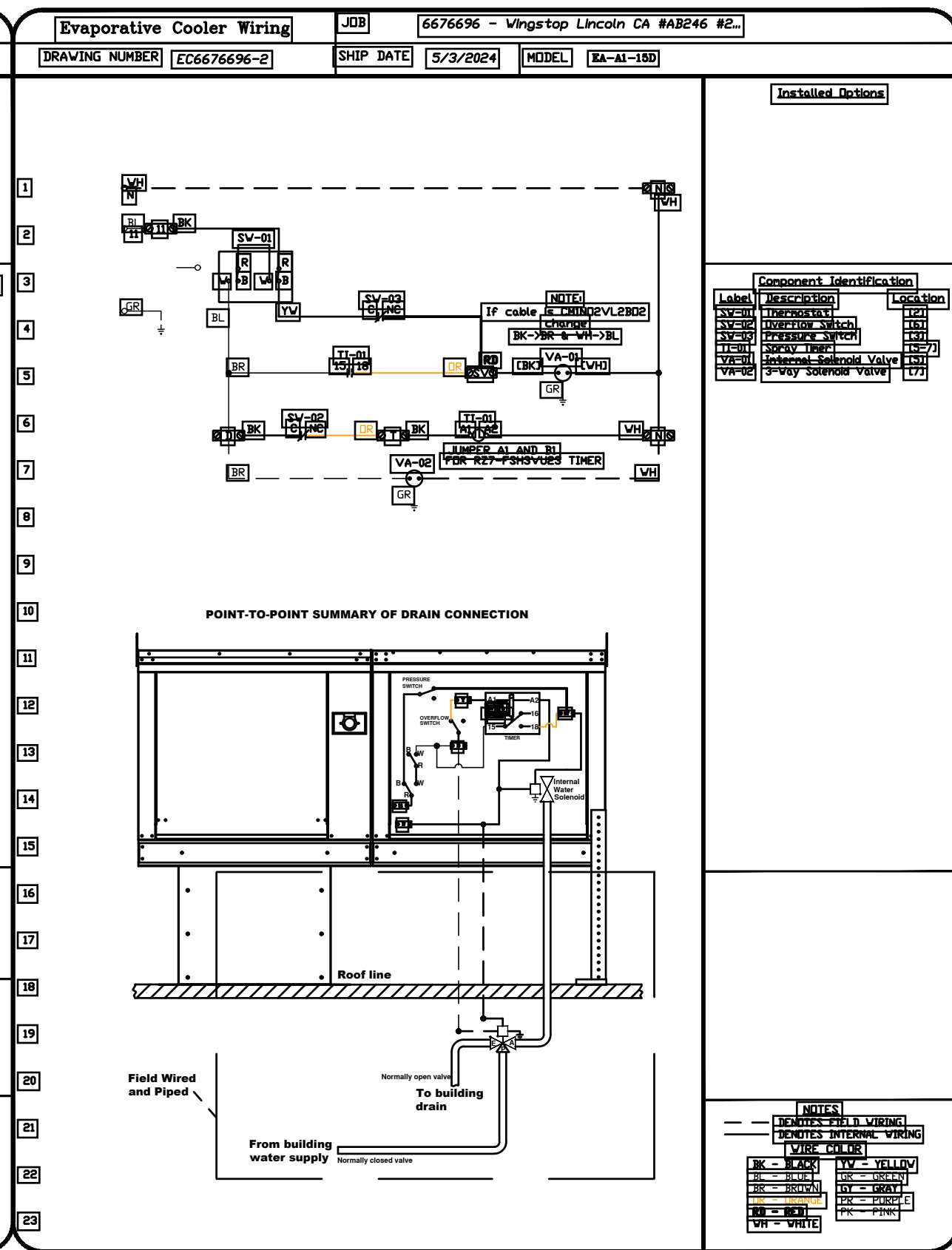
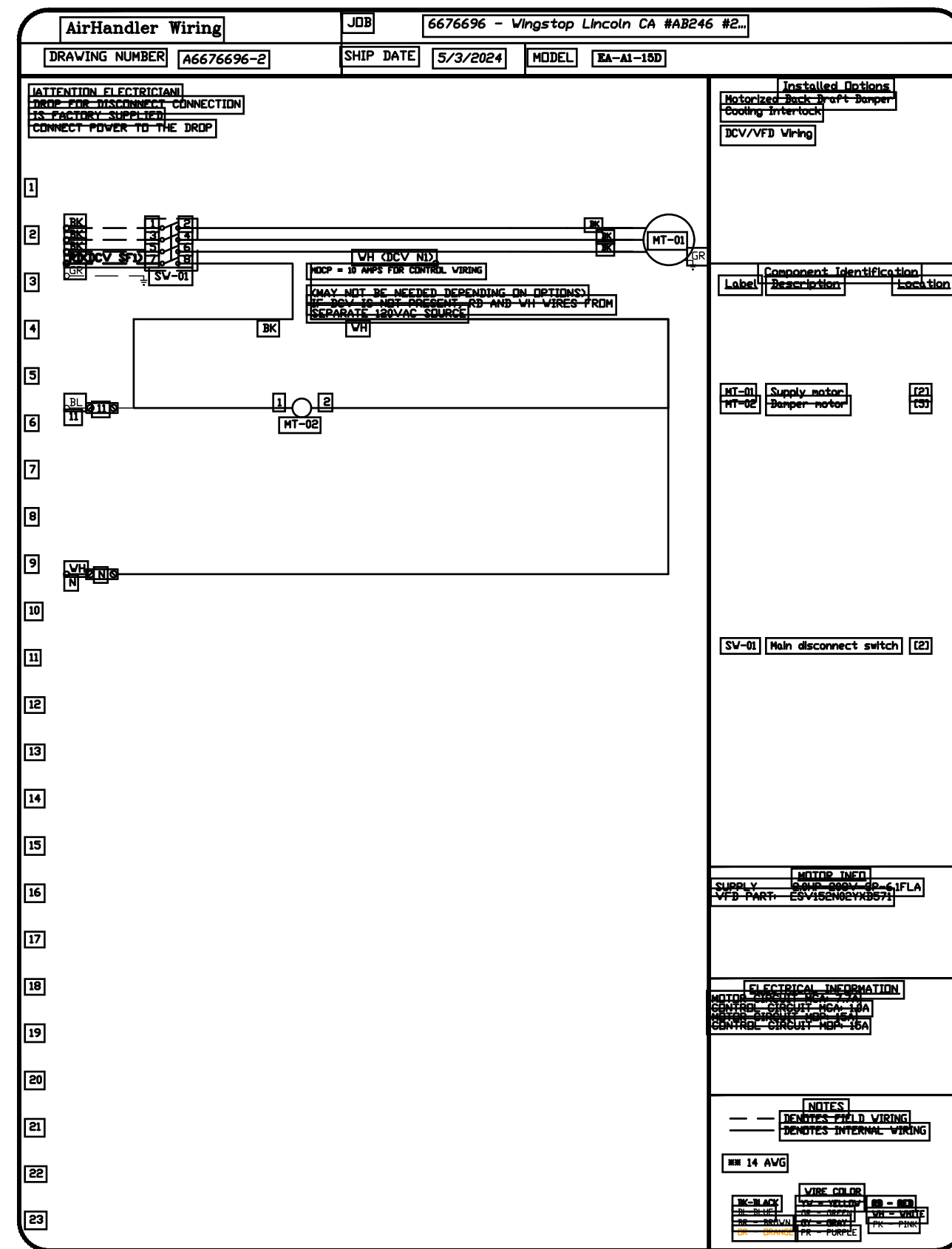
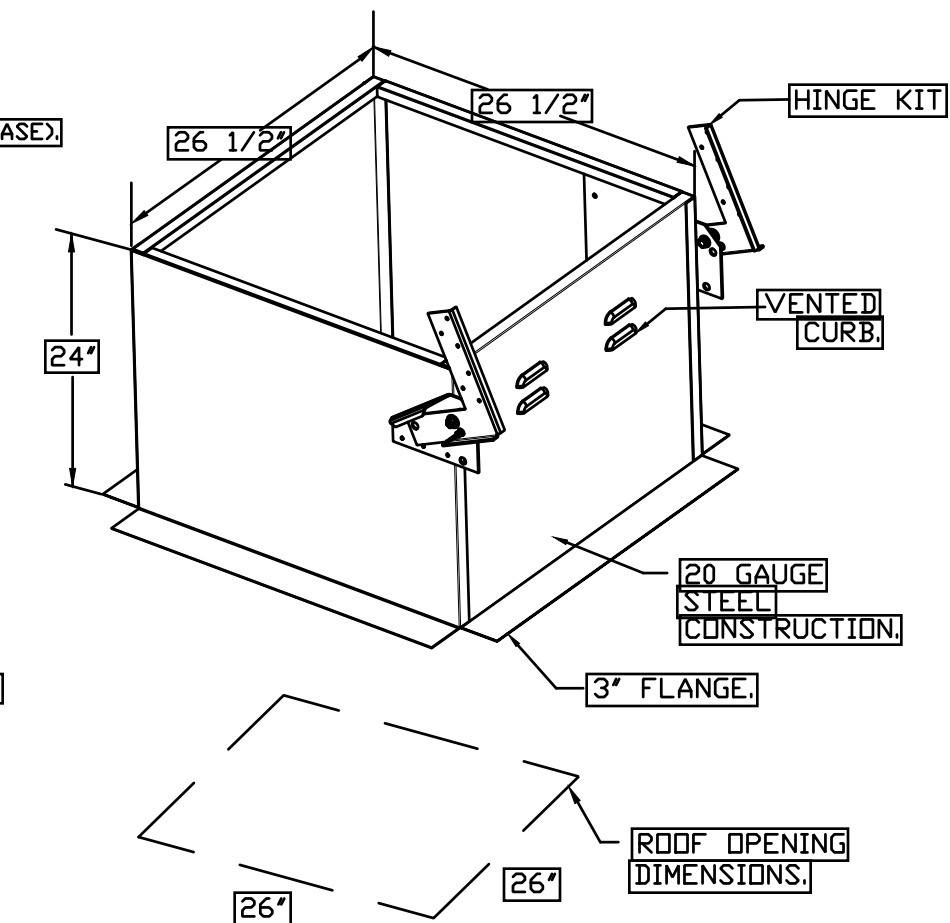
- DIRECT DRIVE CONSTRUCTION (NO BELTS/PULLEYS)
- ROOF MOUNTED FANS
- RESTAURANT MODEL
- UL705 AND UL762 AND ULC-S645
- VARIABLE SPEED CONTROL
- INTERNAL WIRING
- THERMAL OVERLOAD PROTECTION (SINGLE PHASE)
- HIGH HEAT OPERATION 300°F (149°C)
- GREASE CLASSIFICATION TESTING
- NEMA 3R SAFETY DISCONNECT SWITCH

NORMAL TEMPERATURE TEST
EXHAUST FAN MUST OPERATE CONTINUOUSLY WHILE EXHAUSTING AIR AT 300°F (149°C) UNTIL ALL FAN PARTS HAVE REACHED THERMAL EQUILIBRIUM, AND WITHOUT ANY DETERIORATING EFFECTS TO THE FAN WHICH WOULD CAUSE UNSAFE OPERATION.

ABNORMAL FLARE-UP TEST
EXHAUST FAN MUST OPERATE CONTINUOUSLY WHILE EXHAUSTING BURNING GREASE VAPORS AT 600°F (315°C) FOR A PERIOD OF 15 MINUTES WITHOUT THE FAN BECOMING DAMAGED TO ANY EXTENT THAT COULD CAUSE AN UNSAFE CONDITION.

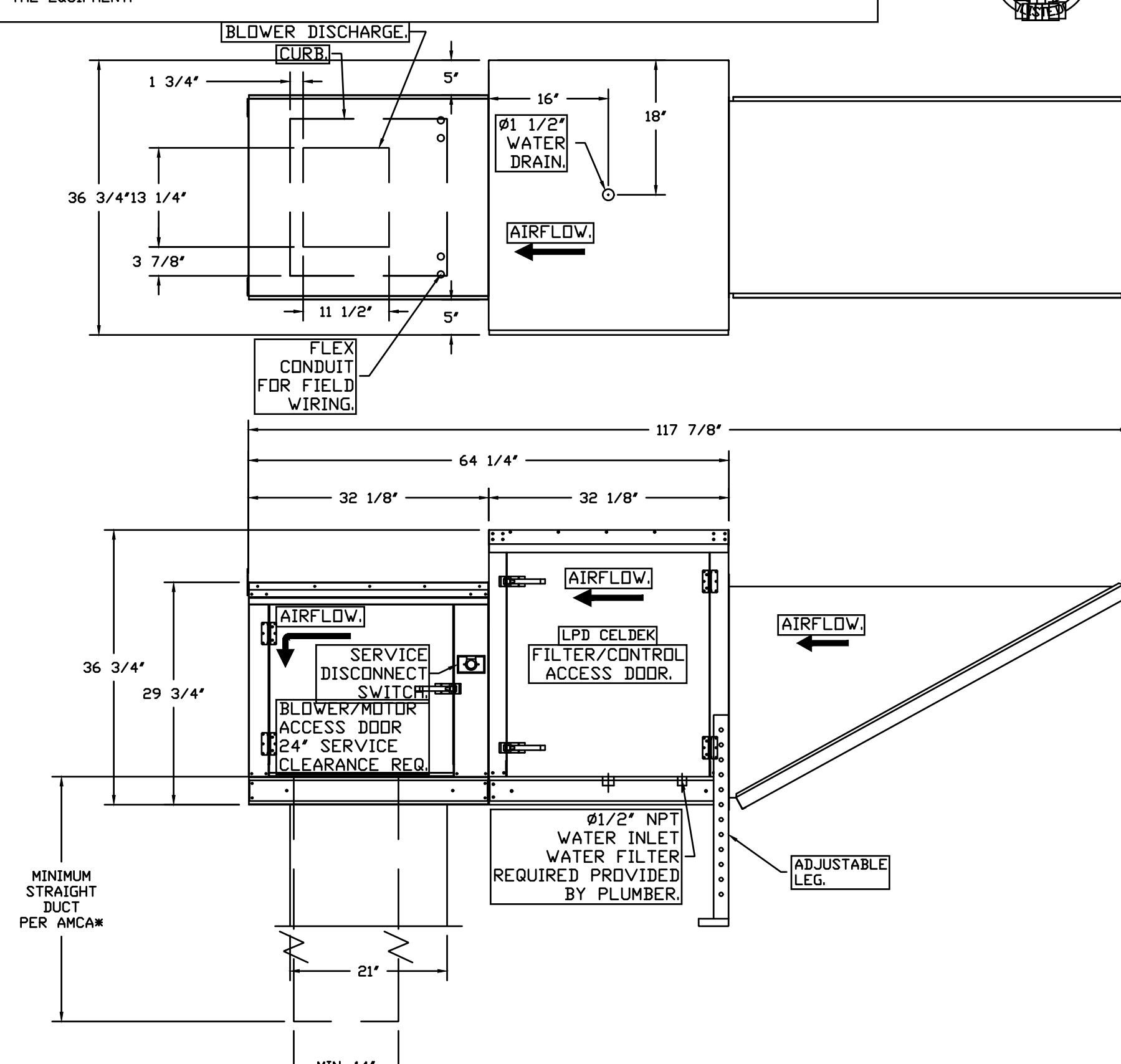
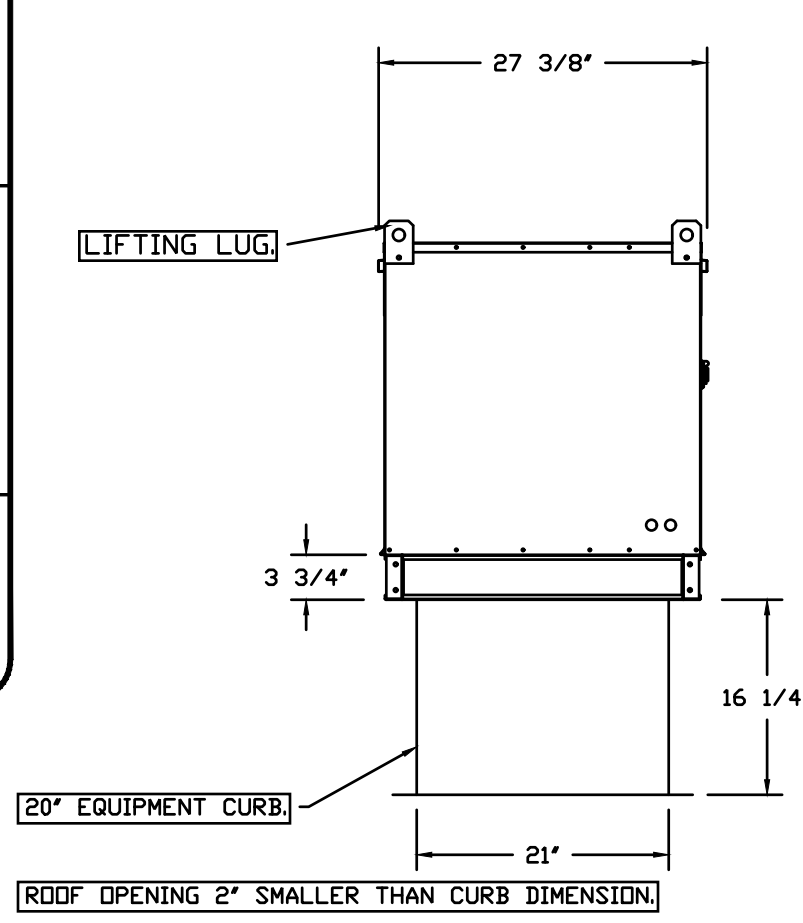
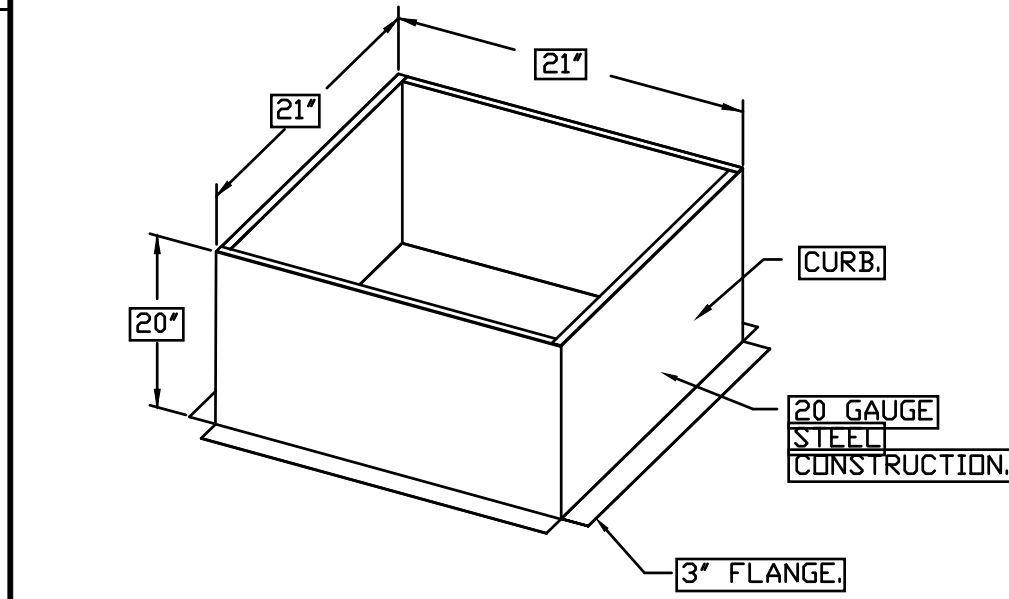
- OPTIONS**
- GREASE BOX
 - 2 YEAR PARTS WARRANTY

Install exhaust fan so the grease drain is on the opposite side away from the hinges. install the grease cup on the side of the roof curb (not on the fan base)



FAN #2 EA-AI-15D - SUPPLY FAN
 1. UNTEMPERED SUPPLY UNIT WITH 15" MIXED FLOW DIRECT DRIVE FAN IN SIZE #1 HOUSING.
 2. EVAP COOLER (LPD CELDEK) - V/INTAKE HOOD W/EZ FILTERS.
 3. DOWN DISCHARGE - AIR FLOW RIGHT -> LEFT.
 4. DOWN DISCHARGE CONSTRUCTION FOR SIZE 1 UNTEMPERED DIRECT DRIVE AHUS.
 5. 120V WIRING CONNECTION TO ENERGIZE EVAPORATIVE COOLERS FROM UNTEMPERED SUPPLY FANS.
 6. SEPARATE 120VAC WIRING PACKAGE FOR MAKE-UP AIR UNITS. OPTION MUST BE SELECTED WHEN MOUNTING VFD IN PREWIRE PANEL OR WITH DCV PACKAGE. PROVIDES SEPARATE 120VAC INPUT TO SUPPLY FAN. THIS 120V SIGNAL MUST BE RUN BY ELECTRICIAN FROM DCV TO MUA SWITCH.
 7. FREEZE PROTECTION DRAIN CONTROL KIT FOR EVAPORATIVE COOLERS. INCLUDES 3-WAY WATER SOLENOID VALVE 8316G064 (SHIPPED LOOSE), PRESSURE SWITCH INSTALLED UPSTREAM OF 2WAY SOLENOID IN UNIT, BRASS TEE, 2 NPT HALF INCH NIPPLES, AND TWO STAGE THERMOSTAT T678A1361. FIELD WIRING REQUIRED BY OTHERS FOR 3-WAY VALVE. FOR BOTH CELDEK AND STANDARD V-BANK TYPE CONFIGURATIONS.
 8. MOTORIZED BACK DRAFT DAMPER 16" X 18" FOR SIZE 1 UNTEMPERED UNITS W/EXTENDED SHAFT, STANDARD GALVANIZED CONSTRUCTION, 3/4" REAR FLANGE, LOW LEAKAGE, TFB120S ACTUATOR INCLUDED.
 9. HINGED DOUBLE WALL INSULATED DOOR ASSEMBLY (BURNER/BLOWER/EVAP SECTION).
 10. 2 YEAR PARTS WARRANTY.

NOTE: SUPPLY DUCT MUST BE INSTALLED TO MEET SMACNA STANDARDS. A MINIMUM STRAIGHT DUCT LENGTH MUST BE MAINTAINED DOWNSTREAM OF UNIT DISCHARGE AS OUTLINED IN AMCA PUBLICATION 201. WHEN USING RECTANGULAR DUCTWORK, ELBOWS MUST BE RADIUS THROAT, RADIUS BACK WITH TURNING VANES. FLEXIBLE DUCTWORK AND SQUARE THROAT/SQUARE BACK ELBOWS SHOULD NOT BE USED. ANY TRANSITION AND/OR TURNS IN THE DUCTWORK WILL CAUSE SYSTEM EFFECT. SYSTEM EFFECT WILL DRASTICALLY INCREASE STATIC PRESSURE AND REDUCE AIRFLOW. DO NOT RELY ON UNIT TO SUPPORT DUCT IN ANY WAY. FAILURE TO PROPERLY SIZE DUCTWORK MAY CAUSE SYSTEM EFFECTS AND REDUCE PERFORMANCE OF THE EQUIPMENT. SUGGESTED STRAIGHT DUCT SIZE IS 14" X 14".



REFER TO FAN MANUALS REGARDING PROPER STARTUP AND INSTALLATION

CAPTIVE-AIRE HOOD PACKAGE AS SHOWN IS OWNER PROVIDED

CONSULTANT:



CLIENT:
 15505 WRIGHT BROTHERS DRIVE
 ADDISON, TX 75001
 TELEPHONE: (972) 686-6500
 FAX: (972) 686-6502

DISCLAIMER:
 THESE DRAWINGS, IDEAS, SPECIFICATIONS AND DESIGNS ARE EXCLUSIVE PROPERTY OF WINGSTOP RESTAURANTS, INC. NO PART OF THESE DRAWINGS MAY BE COPIED, REPRODUCED, OR OTHER STRUCTURES BUILT FROM SUCH WITHOUT THE WRITTEN CONSENT OF WINGSTOP RESTAURANTS, INC.

COPYRIGHT © 2024
 WINGSTOP RESTAURANTS, INC.
 ALL RIGHTS RESERVED

PROJECT INFORMATION:

WINGSTOP
 STORE NUMBER: GL#AB246
 STERLING POINTE
 900 STERLING PARKWAY, SUITE 20
 LINCOLN, CA 95648



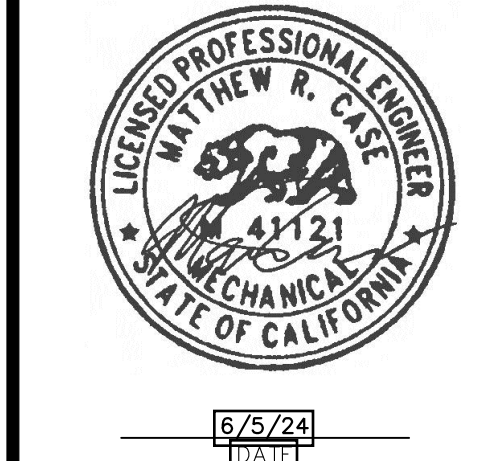
PROJECT NO.: 2024-0056
 DRAWN BY: JJV
 CHECKED BY: MRC

ISSUE: DATE:
 FOR PERMIT & BID: 2024-03-25

REVISION: DATE:
 REV 01: 2024-05-10
 REV 02: 2024-06-05

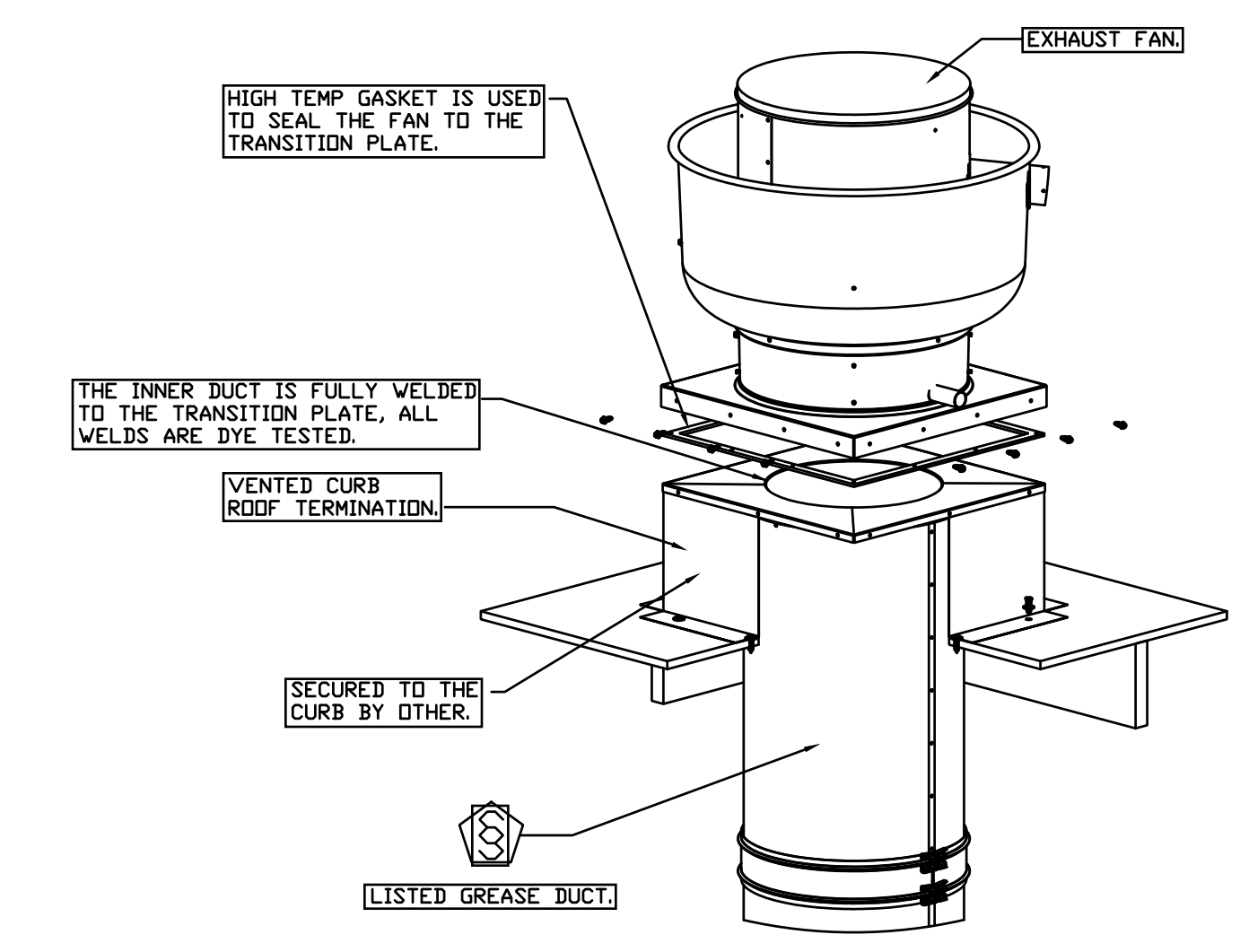
PROJECT LOCATION:
 LINCOLN, CA

SHEET NUMBER / TITLE:
 H5

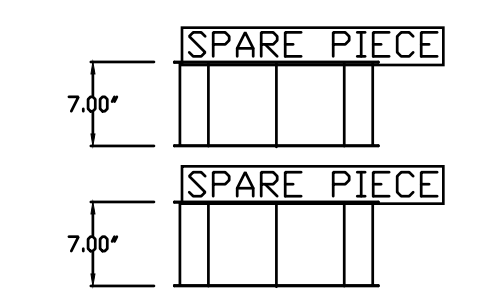
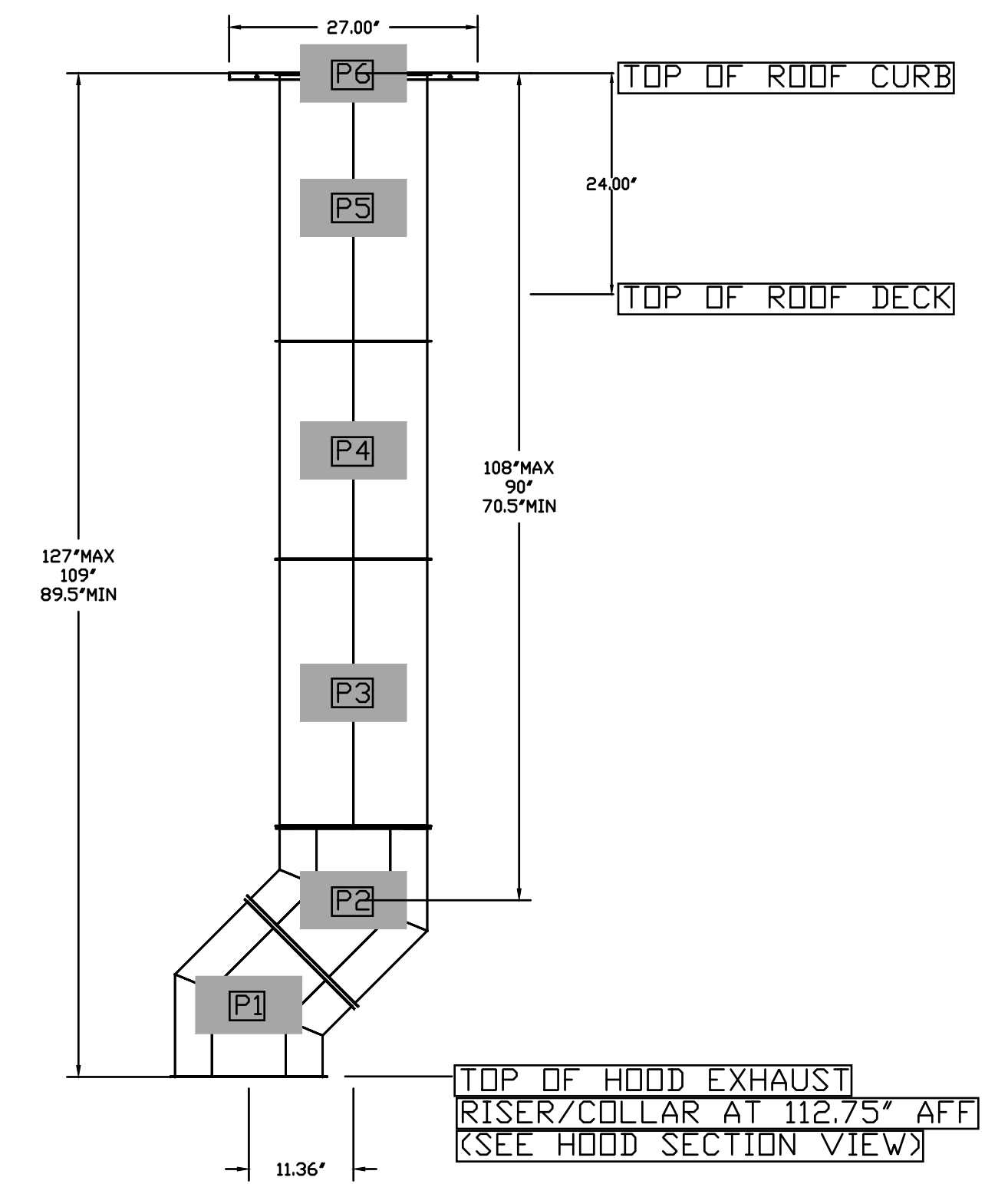


DUCTWORK #1 PARTS - JOB#6676696 FOR 16.5' ROOF DECK

TAG	PART #	CFM	GPM	ZONE	COVERED BY	SP	WEIGHT	VELOCITY	QTY	DESCRIPTION
P1	DW1645ASY	2700				-0.0613	7.22	1933.73	1	SINGLE WALL DUCT 45 DEGREE ELBOW, 16" DUCT, ASSEMBLY
P2	DW1645ASY	2700				-0.0875	7.22	1933.73	1	SINGLE WALL DUCT 45 DEGREE ELBOW, 16" DUCT, ASSEMBLY
P3	DW1629LT	2700				-0.0143	15.68	1933.73	1	SINGLE WALL DUCT 16" DIAMETER, 29" LONG, FLANGE AT BOTH ENDS. STAINLESS STEEL
P4	DW1648AJDKIT	2700				-0.0117	30.39	1933.73	1	SINGLE WALL DUCT ADJUSTABLE, 16" DIAMETER, 47.5" LONG, FLANGE AT ONE END WITH A 16" ADJUSTABLE COLLAR - STAINLESS STEEL
PS ASSEMBLED W/P6	DW1629LT	2700				-0.014	15.68	1933.73	1	SINGLE WALL DUCT 16" DIAMETER, 29" LONG, FLANGE AT BOTH ENDS. STAINLESS STEEL
P6 ASSEMBLED W/PS D-B	DW2616TPDBEX	2700					9.00	1933.73	1	DUCT TO CURB TRANSITION 3/4" DOWN TURN, 26 1/2" CURB TO 16" DUCT, 16 GA ALUMINIZED, USED ON NCA16FA / NCA16HPFA & NCA18FA / NCA18HPFA. TRANSITION PLATE DD IS 27.00" DESIGNED FOR USE WITH EXHAUST FAN. NON-STANDARD PART.
SYSTEM AT P6						-1.1968	0.00			
	3M-2000PLUS						0.80		2	DUCT - 3M FIRE BARRIER 2000 PLUS SILICONE - USED AS SEALANT TO SEAL DUCT JOINTS
	735602000						52.00		14	DUCT - DUCT INSULATION FOR ZERO CLEARANCE TO COMBUSTIBLES - 300" X 24" X 1-1/2" ROLL. UNIFRAX FyreWRAP ELITE 1.5.
	BANDING 5						5.00		1	DUCT - FIRE BARRIER WRAP STAINLESS STEEL BANDING 5" WIDTH - 200 FT PER ROLL
	DW16CLASY						1.18		5	DUCT *V* CLAMP WITH NEW DESIGN 14 GA BRACKETS, 16" DUCT, ASSEMBLY
	SEAL 50-50						0.50		2	DUCT - FIRE BARRIER WRAP STAINLESS STEEL BANDING SEAL .5" WIDTH. QUANTITY OF 50
	TAPEALUM						0.25		1	DUCT - FIRE BARRIER WRAP ALUMINUM FOIL TAPE - 3" X 150' ROLL
ADDITIONAL PARTS										
EXTRA-1	DW1607LT						4.14		2	SINGLE WALL DUCT 16" DIAMETER, 7" LONG, FLANGE AT BOTH ENDS. STAINLESS STEEL
EXTRA-2	DW16CLASY						1.18		2	DUCT *V* CLAMP WITH NEW DESIGN 14 GA BRACKETS, 16" DUCT, ASSEMBLY
TOTAL WEIGHT							317.58			



DUCTWORK #1 FRONT VIEW FOR 16.5' ROOF DECK



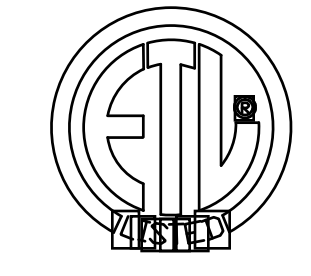
GREASE DUCT SPECIFICATION
Furnish single-wall, factory built, grease duct for use with Type I kitchen hoods, which conforms to the requirements of NFPA-96. Products shall be ETL listed to UL-1978 for venting air and grease vapors from commercial cooking operations as described in NFPA-96. The duct wall shall be constructed of .036 thick type 304 stainless steel and be available in diameters 8" through 24". All supports, fan adapters, hood connections, fittings and expansion joints required to install grease duct shall be included. Roof penetrations shall comply with listed clearance to combustibles, see *Clearance to Combustibles* guide for details. The grease duct will terminate at the fan adapter plate, will be fully welded to the fan adapter plate and the fan adapter plate will be fastened to the curb using a suitably sized fastener provided by others; see page 12 of the *Installation, Operation and Maintenance Manual* for details. Grease duct joints shall be held together by means of formed vee clamps and sealed with 3M Fire Barrier 2000+. Screws used to secure the vee clamps shall be of the hex-head type with flanged stops and tapered 'lead in' threads for easy starting. Nuts shall be retained by means of a free-floating cage to allow easy alignment. Single-Wall Grease Duct shall be installed in accordance with the manufacturer's *Installation, Operation and Maintenance Manual*, ETL listing and state and local codes. Grease duct installed outside of the building shall be protected against accidental damage or vandalism. Support vertically installed grease duct from the building structure using rigid structural supports. Anchor supports to the structure by welding or bolting steel expansion anchors or concrete inserts. Support horizontally installed grease duct from the building structure using above method or use *Clearance to Combustibles*, part numbers WR20 & CL20. 1/2" Threaded rod and saddles may also be used for the support of horizontal grease duct. Fans shall be supported independently from the grease duct sections. Protect grease duct from twisting or movement caused by fan torque or vibration.

FIRE WRAP SPECIFICATION - Unifrax
Unifrax's FyreWrap®Elite 1.5 Duct Insulation is a two-layer flexible enclosure for two-hour rated commercial kitchen grease ducts. FyreWrap Elite 1.5 Duct Insulation is tested per ASTM E2336 and is acceptable as an alternate to a traditional fire-rated shaft. Installed as a two-layer system, FyreWrap Elite 1.5 complies with the International Mechanical Code (IMC) and Uniform Mechanical Code (UMC). FyreWrap Elite 1.5 Duct Insulation offers the following product features:
• 2-hour fire-resistance rating
• Alternate to shaft enclosure
• Complies with IMC and UMC
• Tested per ASTM E2336
• Two-layer system
• High-temperature, biosoluble insulation
• Zero clearance to combustibles, at any location
• GREENGUARD listed for Microbial Resistance

SINGLE WALL FACTORY BUILT DUCTWORK
- ADJUSTABLE PIECES OF DUCT MUST EXTENDED INTO THE DUCT BELOW BY AT LEAST 6" MINIMUM
- ALL DUCTWORK IS REQUIRED TO BE INSTALLED WITH THE MAXIMUM SUPPORT SPACING LISTED BELOW
- FOR A COMPLETE LIST OF APPROVED SUPPORT METHODS, SEE THE INSTALLATION AND OPERATION MANUAL
- DUCTWORK SHALL SLOPE NOT LESS THAN 1/16" PER LINEAR FOOT TOWARDS THE HOOD OR AN APPROVED GREASE COLLECTION RESERVOIR
- WHERE HORIZONTAL DUCTS EXCEED 75 FEET IN LENGTH, THE SLOPE SHALL NOT BE LESS THAN 3/16" PER LINEAR FOOT

DUCT DIAMETER	HORIZONTAL WALL SUPPORT (Ft)	VERTICAL WALL SUPPORT (Ft)	VERTICAL CURB SUPPORT (Ft)
8"	10'	10'	24'
10"	10'	10'	24'
12"	10'	10'	24'
14"	10'	10'	24'
16"	10'	10'	24'
18"	10'	10'	24'
20"	10'	10'	24'
22"	10'	10'	24'
24"	10'	10'	24'

DUCT SEALANT & FIREWRAP PROVIDED BY CAPTIVE-AIRE
Model DW Series is ETL Listed under file number 3114021, and complies with UL-1978, as well as CAN/ULC-S662. The DW Series has been certified by ITS. This certification mark indicates that the product has been tested to and has met the minimum requirements of a widely recognized (consensus) U.S. and Canadian products safety standard, that the manufacturing site has been audited, and that the applicant has agreed to a program of periodic factory follow-up inspections to verify continued performance.
UL 1978 - Standard for Grease Duct
UL 2221 - Fire Resistive Grease Duct Enclosure Assemblies
NFPA 96 - Installation Standard
ASTM E2336 - Test Method for Fire Resistive Grease Duct Enclosure System



DO NOT LEAK TEST USING SMOKE BOMBS CONTAINING CHLORINES/CHLORIDES. CONSULT WITH CAPTIVEAIRE FOR PROPER LEAK TESTING METHODS.

CLEARANCE TO COMBUSTIBLES

DIAMETER	COMBUSTIBLES	LIMITED COMBUSTIBLES	NON COMBUSTIBLES
8"	18"	3"	0"
10"	18"	3"	0"
12"	18"	3"	0"
14"	18"	3"	0"
16"	18"	3"	0"
18"	18"	3"	0"
20"	18"	3"	0"
22"	18"	3"	0"
24"	18"	3"	0"

CAPTIVE-AIRE HOOD PACKAGE AS SHOWN IS OWNER PROVIDED