

SECTION 15732 - PACKAGED ROOFTOP AIR-CONDITIONING UNITS

PART 1 - GENERAL

1.1 SECTION REQUIREMENTS

- A. Submittals: Product Data and Shop Drawings.
- B. Comply with ASHRAE 15.
- C. EER: Equal to or greater than prescribed by the energy code adopted by the Authority Having Jurisdiction.
- D. Warranties: Submit a written warranty, signed by the manufacturer, agreeing to the repair or replacement of components that fail within 5 years of Substantial Completion.

PART 2 - PRODUCTS

2.1 PACKAGED UNITS, 5 TO 20 TONS

- A. Factory assembled and tested, consisting of compressors, condensers, evaporator coils, condenser and evaporator fans, refrigeration and temperature controls, filters, and dampers.
 - 1. Refer to Rooftop Heating/Cooling Unit Schedule on drawing M600 for capacities, and manufacturers.
 - 2. Evaporator Fans: Belt or direct driven, forward curved centrifugal.
 - 3. Exhaust/Relief Fans: Direct drive, forward curved centrifugal or propeller.
 - 4. Condenser Fans: Direct drive propeller.
 - 5. Refrigerant Coils: Aluminum fins and copper coil.
 - 6. Compressors: Serviceable hermetic or fully hermetic, with safety controls, hot gas bypass, and timed off controls.
 - 7. Heat Exchangers: Gas fired, with gas controls, electronic ignition, high limit cutout, and forced draft proving switch.
 - 8. Economizer controls (Comparative Enthalpy, 100% capacity).
 - 9. Smoke Detectors: Photoelectric in supply and/or return as called for in schedule on sheet M600.
 - 10. Operating Controls: Two stage heating and two stage cooling on units 7-1/2 tons and over.
 - 11. Roof curb.
 - 12. Control Wiring from T-stat to rooftop unit: Shall be 18ga / 7 conductor, rated for plenum applications.
 - 13. Control Wiring from T-stat to remote sensor: Shall be a separate 18ga / 2 conductor shielded, rated for plenum applications.

PART 3 - EXECUTION

3.1 INSTALLATION

- A. Install units level and plumb and firmly anchored.
- B. Connect gas piping to burner with pipe same size as gas train inlet, and provide union with sufficient clearance for burner removal and service.
- C. Install ducts to termination in roof mounting frames. Terminate ducts through roof structure.
- D. Connect units to wiring systems and to ground.

END OF SECTION 15732

SECTION 15810 - DUCTS AND ACCESSORIES

PART 1 - GENERAL

1.1 SECTION REQUIREMENTS

- A. Submittals: Product Data for fire and smoke dampers.
- B. Comply with NFPA 90A for systems serving spaces more than 25,000 cu. ft. in volume or building Types II, IV, and V construction more than 3 stories in height.
- C. Comply with NFPA 90B for systems serving spaces in 1 or 2 family dwellings or serving spaces less than 25,000 cu. ft..
- D. Comply with NFPA 96, "Ventilation Control and Fire Protection of Commercial Cooking Operations," for kitchen hood ducts.
- E. Comply with UL 181 and UL 181A for ducts and closures.
- F. Testing, Adjusting, and Balancing Agency Qualifications: AABC certified (to be furnished by Tenant).

PART 2 - PRODUCTS

2.1 DUCTS

- A. Spiral Duct: Spiral Lock Seam, without insulation, G90 galvanized finish, ASTM A-653/924
 - 1. Basis of Design Manufacturers: Lindab SPIROsafe, alternates to the basis of design must be submitted for review.
 - 2. Fittings: Factory produced standing seam construction with internal sealing. Fittings with a major axis of 36" or smaller shall be 20 gauge. Fittings with a major axis of 37"-48" shall be 18 gauge.
- B. Galvanized Steel Sheet: Forming steel, ASTM A 653/653M, G90 coating designation.
- C. Duct Liner: ASTM C 1071, Type II, with an airstream surface coated with a temperature resistant coating. Thickness: 1-1/2 inch, R-value : 8.
 - 1. Adhesive: ASTM C 916, Type I.
 - 2. Mechanical Fasteners: Galvanized steel pin, length as required to penetrate liner plus a 1/8 inch projection maximum into the airstream.
- D. Joint and Seam Tape: Comply with UL 181A.
- E. Joint and Seam Sealant: Comply with UL 181A.
- F. Rectangular Metal Duct Fabrication: Comply with SMACNA's "HVAC Duct Construction Standard" for metal thickness, reinforcing types and intervals, tie rod applications, and joint types and intervals.

2.2 ACCESSORIES

- A. Volume-Control Dampers: Factory fabricated volume control dampers, complete with required hardware and accessories. Single blade and multiple opposed blade, standard leakage rating, and suitable for horizontal or vertical applications.
- B. Fire Dampers: Factory-fabricated fire dampers, complete with required hardware and accessories. UL labeled according to UL 555, "Fire Dampers".
- C. Flexible Connectors: Flame retardant or noncombustible fabrics, coatings, and adhesives complying with UL 181, Class 1.
- D. Flexible Ducts: Factory fabricated, insulated, round duct, with an outer jacket enclosing 2 inch thick, glass fiber insulation, R-value: 6.0, around a continuous inner liner.

PART 3 - EXECUTION

3.1 INSTALLATION

- A. Duct System Pressure Class: Construct and install each duct system with 2 inch positive and negative duct pressure classifications.
- B. Conceal ducts from view in finished and occupied spaces. Except where noted as exposed.
- C. Avoid passing through electrical equipment spaces and enclosures.
- D. Support and connect metal ducts according to SMACNA's "HVAC Duct Construction Standard".
- E. Install duct accessories according to applicable portions of details of construction as shown in SMACNA standards.
- F. Install liner and/or insulation on ductwork per the material schedule on sheet M010.
- G. Install volume control dampers in lined duct with methods to avoid damage to liner and to avoid erosion of duct liner.
- H. Install fire and smoke dampers according to manufacturer's UL approved written instructions.
- I. Install fusible links in fire dampers.
- J. Provide saddle taps at tees for exposed ductwork.

3.2 TESTING, ADJUSTING, AND BALANCING

- A. The Tenant will supply an independent balance agent to to balance and adjust the HVAC installation. The balance agent will be responsible for any pulley or belt changes required.
- B. The GC is to have trained staffed available during the balancing to correct issues noted by the balance agent.
- C. The balance agent is to balance airflow within distribution systems, including submains, branches, and terminals to indicated quantities +/- 10%. The hood exhaust system shall be balanced to a tolerance of -0+10% and the make-up air system to a tolerance of -10+0%.
- D. The balance agent is to supply a copy of the balance report to the Tenant, engineer and general contractor for review.

END OF SECTION 15810

SECTION 15855 - DIFFUSERS, REGISTERS, AND GRILLES

PART 1 - GENERAL

1.1 SECTION REQUIREMENTS

- A. Submittals: None.

PART 2 - PRODUCTS

2.1 OUTLETS AND INLETS

- A. All air terminal devices:
 - 1. Refer to Grills, Registers, and Diffusers Schedule for equipment schedule
 - 2. Manufacturer: As scheduled (NO SUBSTITUTIONS)
 - 3. Material: As scheduled.
 - 4. Finish: As scheduled.
 - 5. Mounting: As scheduled.

PART 3 - EXECUTION

3.1 INSTALLATION

- A. Coordinate location and installation with duct installation and installation of other ceiling and wall mounted items.
- B. Locate ceiling diffusers, registers, and grilles, as indicated on the architectural "reflected ceiling plans." Unless otherwise indicated, locate units in center of acoustical ceiling panels.

END OF SECTION 15855

HVAC GENERAL NOTES

- A. GENERAL NOTES APPLY TO HVAC SHEETS.
- B. WORK SHALL COMPLY WITH STATE AND LOCAL CODE REQUIREMENTS AS APPROVED AND AMENDED BY THE AUTHORITY HAVING JURISDICTION, INCLUDING APPLICABLE SECTIONS OF NFPA, THE MECHANICAL CODE, AND ANY INTERIM AMENDMENTS AT THE TIME OF THE PROPOSAL. PURCHASE PERMITS ASSOCIATED WITH THE WORK. OBTAIN INSPECTIONS REQUIRED BY CODE. SEE ARCHITECTURAL SHEETS FOR THE PREVAILING CODES.
- C. CONTRACTOR AND SUBCONTRACTORS SHALL REVIEW A COMPLETE SET OF THE CONSTRUCTION DOCUMENTS.
- D. COORDINATE WORK WITH THE WORK OF OTHER TRADES, EQUIPMENT FURNISHED BY OTHERS, REQUIREMENTS OF THE OWNER, AND OF THE EXISTING CONDITIONS AT THE PROJECT SITE.
- E. DRAWINGS FOR THE MECHANICAL WORK ARE DIAGRAMMATIC, SHOWING THE GENERAL LOCATION, TYPE, LAYOUT, AND EQUIPMENT REQUIRED. THE DRAWING SHALL NOT BE SCALED FOR EXACT MEASUREMENTS, REFER TO ARCHITECTURAL DRAWINGS FOR DIMENSIONS. REFER TO MANUFACTURER'S STANDARD INSTALLATION DRAWINGS FOR EQUIPMENT CONNECTIONS AND INSTALLATION REQUIREMENTS. PROVIDE DUCTWORK, CONNECTIONS, OFFSETS, ACCESSORIES, AND MATERIALS NECESSARY FOR A COMPLETE SYSTEM.
- F. DUCT DIMENSIONS ON PLANS INDICATE DIMENSIONS OF INTERNAL FREE AREA.
- G. PERFORATED CEILING DIFFUSERS SHALL BE 4-WAY UNLESS NOTED OTHERWISE.
- H. COORDINATE ROOF WORK WITH THE OWNER'S CONSTRUCTION MANAGER PRIOR TO CONSTRUCTION.
- I. UNLESS NOTED OTHERWISE RECTANGULAR DUCT ELBOWS GREATER THAN 45° SHALL BE MITERED ELBOWS WITH DOUBLE-THICKNESS TURNING VANES AND RECTANGULAR DUCT ELBOWS 45° OR LESS SHALL BE RADIUS ED ELBOWS WITH AN INSIDE RADIUS OF AT LEAST 1/2 THE WIDTH OF THE DUCT.
- J. REPLACE AIR FILTERS WITH NEW, CLEAN MERV 8 AIR FILTERS AT TURNOVER.
- K. THE TERM "FURNISH" MEANS SUPPLY AND DELIVER TO THE PROJECT SITE, READY FOR UNLOADING, UNPACKING, ASSEMBLY, INSTALLATION, AND SIMILAR OPERATIONS. THE TERM "INSTALL" DESCRIBES THE OPERATIONS AT THE PROJECT SITE INCLUDING THE ACTUAL UNLOADING, UNPACKING, ASSEMBLY, ERECTING, PLACING, ANCHORING, APPLYING, WORKING TO DIMENSION, FINISHING, CURING, PROTECTING, CLEANING, AND SIMILAR OPERATIONS. THE TERM "PROVIDE" MEANS TO FURNISH AND INSTALL, COMPLETE AND READY FOR THE INTENDED USE.
- L. PROVIDE LABELING CALLED FOR IN THE HVAC DRAWINGS USING ENGRAVED PHENOLIC PLATES.
- M. PROVIDE P3000 12 GA. UNISTRUT WITH PG FINISH FOR DUCT SUPPORTS AND OTHER UNISTRUT IN AREAS EXPOSED TO VIEW. SLOTTED UNISTRUT AND OTHER UNISTRUT WITH HOLES IS NOT ACCEPTABLE.

HVAC MATERIAL SCHEDULE

	APPLICATION	ALLOWABLE MATERIAL
DUCT		
	CONCEALED, GENERAL EXHAUST	RECT. OR ROUND AS SHOWN
	CONCEALED, RETURN	RECT. OR ROUND AS SHOWN, LINED OR INSULATED
	CONCEALED, SUPPLY	RECT. OR ROUND AS SHOWN, LINED OR INSULATED
	CONCEALED, TYPE I HOOD EXHAUST	RECTANGULAR 16 GA. BLACK IRON W/ WRAP OR UL 1978 FACTORY-MANUFACTURED DUCT W/ WRAP (SUBMIT SHOP DRAWINGS FOR FACTORY-MANUFACTURED DUCT PRIOR TO ORDERING FOR APPROVAL)
	EXPOSED GENERAL EXHAUST	RECTANGULAR, NO EXPOSED DUCT-SEALING MASTIC
	EXPOSED RETURN	RECTANGULAR, NO EXPOSED DUCT-SEALING MASTIC
	EXPOSED SUPPLY	RECT. LINED OR ROUND AS SHOWN, NO EXPOSED DUCT-SEALING MASTIC

HVAC ABBREVIATIONS

- (E) EXISTING
- ABV ABOVE
- ADA AMERICANS WITH DISABILITIES ACT
- AFF ABOVE FINISHED FLOOR
- AFG ABOVE FINISHED GRADE
- AHJ AUTHORITY HAVING JURISDICTION
- BFF BELOW FINISHED FLOOR
- BFG BELOW FINISHED GRADE
- BOH BACK OF HOUSE
- CLG CEILING
- CTE CONNECT TO EXISTING
- DN DOWN
- EXT'G EXISTING
- FLR FLOOR
- FOH FRONT OF HOUSE
- GYP GYPSUM BOARD
- NTS NOT TO SCALE
- O/H OVERHEAD
- OBD OPPOSED BLADE DAMPER
- TYP TYPICAL
- U/G UNDERGROUND
- UNO UNLESS NOTED OTHERWISE
- VFD VARIABLE FREQUENCY DRIVE
- VSC VARIABLE SPEED CONTROLLER
- W/ WITH
- WIC WALK-IN COOLER

- C02AS TENANT'S CO2 ALARM SUPPLIER
- GC GENERAL CONTRACTOR
- HES TENANT'S HVAC EQUIPMENT SUPPLIER
- HS TENANT'S HOOD SUPPLIER
- KES TENANT'S KITCHEN EQUIPMENT SUPPLIER
- LL LANDLORD
- SPS TENANT'S SODA POP SUPPLIER
- TAB TENANT'S TEST AND BALANCE VENDOR
- TCC TENANT'S CABLING CONTRACTOR
- TDC TENANT'S DUCT CLEANER
- TEMS TENANT'S ENERGY MANAGEMENT SYSTEM SUPPLIER
- TLS TENANT'S LIGHT/LAMP SUPPLIER
- TMB TENANT'S MENU BOARD SUPPLIER
- TMS TENANT'S MILLWORK SUPPLIER
- TPS TENANT'S PHONE SUPPLIER
- TRS TENANT'S RAILING SUPPLIER
- TSV TENANT'S SIGN VENDOR
- TUV TENANT'S UV SNAITIZER SUPPLIER
- WCS TENANT'S WALK-IN COOLER SUPPLIER
- WHS TENANT'S WATER HEATER SUPPLIER

HVAC SYMBOLS

- CEILING DIFFUSER
- CEILING-MOUNTED RETURN OR EXHAUST REGISTER
- SUPPLY REGISTER
- RETURN GRILLE
- FLEXIBLE DUCT
- MITERED CORNER WITH TURNING VANES
- DUCTWORK INTERNAL FREE DIMENSIONS (WIDTH/HEIGHT) RECTANGULAR TO ROUND DUCT TRANSITION
- DUCT-MOUNTED SMOKE DETECTOR
- MOTOR-OPERATED DAMPER
- MANUAL VOLUME DAMPER
- GREASE DUCT CLEANOUT
- MITERED CORNER WITHOUT TURNING VANES
- GRIDPOINT THERMOSTAT
- GRIDPOINT ZONE SENSOR MODULE
- GRIDPOINT SUPPLY PROBE
- PLAN NOTE: SEE PLAN NOTES LISTED ON THE SAME SHEET FOR NOTE MEANING
- CONNECT TO EXISTING
- EQUIPMENT TAG: SEE EQUIPMENT SCHEDULE ON SHEET M600 FOR EQUIPMENT INFORMATION
- AUDIO/VISUAL REMOTE SMOKE DETECTOR ANNUNCIATOR WITH REMOTE KEY OPERATED RESET
- GRILL, REGISTER, OR DIFFUSER TAG: TAG NECK SIZE AIRFLOW [CFM]

Consultant:



Blanchard AE Group

1425 WAKARUSA DR. STE B
LAWRENCE, KS 66049
PH: 785.993.0300
AEGROUP@BAE.GROUP



COPYRIGHT 2022
THIS DRAWING IS AN INSTRUMENT OF SERVICE AND AS SUCH REMAINS THE PROPERTY OF CHIPOTLE MEXICAN GRILL, INC.. PERMISSION FOR USE OF THIS DOCUMENT IS LIMITED AND CAN BE EXTENDED ONLY BY WRITTEN AGREEMENT WITH CHIPOTLE MEXICAN GRILL, INC..



CHIPOTLE MEXICAN GRILL, INC.
PO BOX 182566
COLUMBUS, OH 43218-2566
TELEPHONE: (614) 318-2400
INTERNET: WWW.CHIPOTLE.COM

STORE NO.: 4527

INTERBAY
1827 15th Avenue West
Seattle, WA 98119

Issue Record:
05/31/2022 PERMIT ISSUE

Revisions:

Drawn: JJD
Checked: AJD

Project No.
221044

Contents:

HVAC SPECIFICATIONS

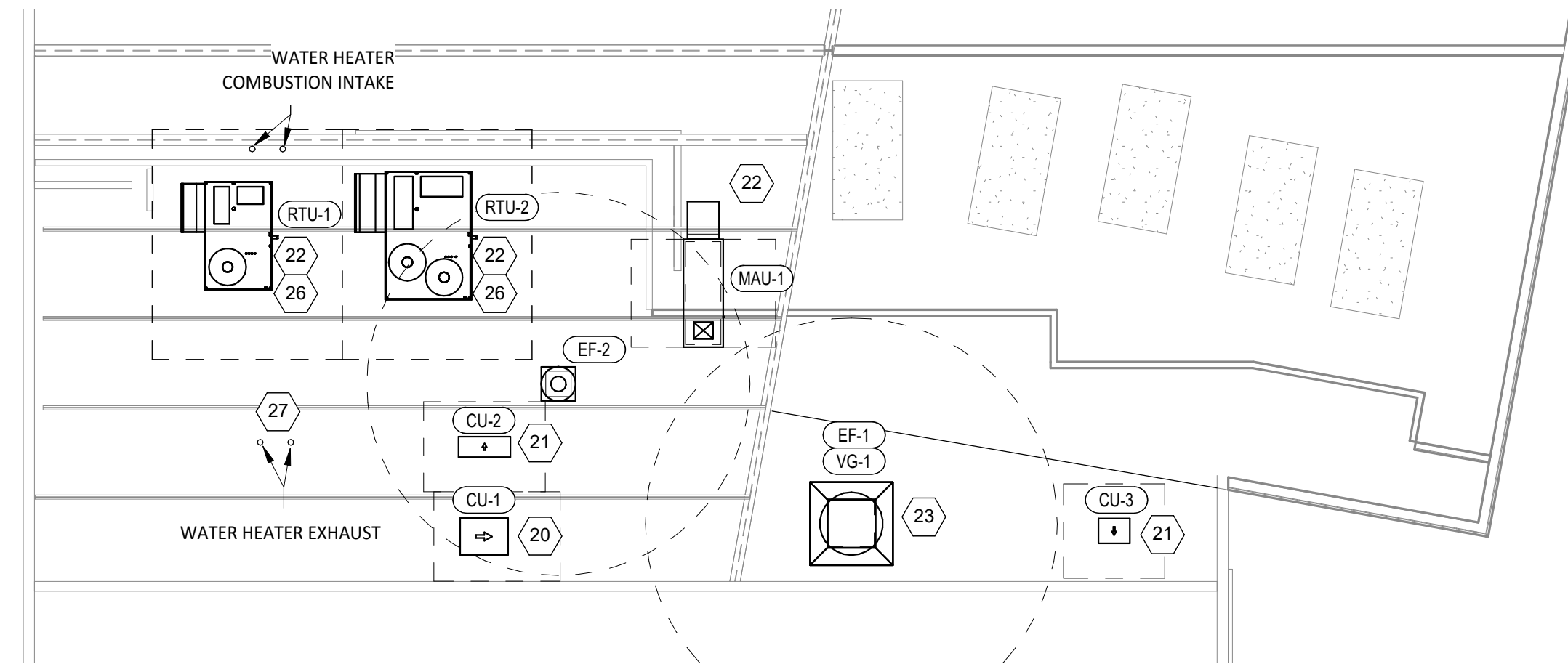
M010

HVAC PLAN NOTES

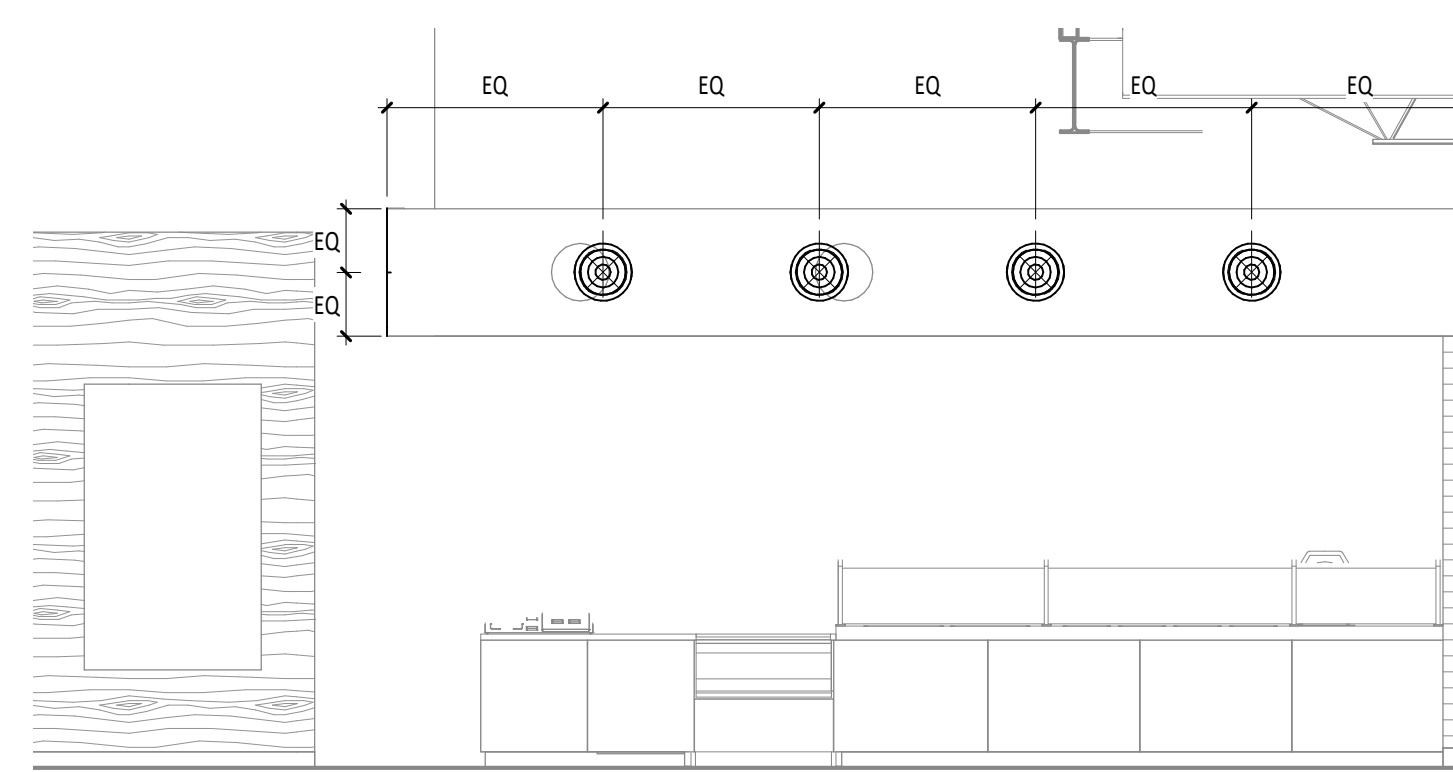
- SEE ARCHITECTURAL REFLECTED CEILING PLAN FOR CEILING MOUNTED EQUIPMENT LOCATION. TYPICAL.
- PAINT DUCTWORK VISIBLE THROUGH DINING ROOM SUPPLY REGISTERS BLACK. TYPICAL.
- REFER TO ARCHITECTURAL DRAWINGS FOR SUPPLY REGISTER ELEVATIONS AND LOCATIONS.
- 20/12 DUCT UP FOR TRANSITION TO RTU-1 RETURN CONNECTION IN ROOF CURB. RTU-1 SHALL HAVE AN INTEGRAL SMOKE DETECTOR MOUNTED IN THE RETURN AIR STREAM. INTERLOCK SMOKE DETECTOR TO RTU-1 OPERATION.
- 24/12 DUCT UP FOR TRANSITION TO RTU-2 RETURN CONNECTION IN ROOF CURB. RTU-2 SHALL HAVE AN INTEGRAL SMOKE DETECTOR MOUNTED IN THE RETURN AIR STREAM. INTERLOCK SMOKE DETECTOR TO RTU-2 OPERATION.
- 24/12 DUCT UP FROM BUILDING SUPPLY THROUGH ROOF. TRANSITION TO RTU-1 SUPPLY CONNECTION IN ROOF CURB.
- 28/14 DUCT UP FROM BUILDING SUPPLY TO RTU-2 SUPPLY CONNECTION. TRANSITION IN ROOF CURB.
- 16/16 DUCT UP THROUGH ROOF. TRANSITION TO MAU-1 SUPPLY CONNECTION IN ROOF CURB.
- 10/15 DUCTS UP FROM HOOD TO 20/15 DUCT THROUGH ROOF TO EF-1 COMPLIANT WITH NFPA 96. PROVIDE RADIUS ELBOWS WITH AN INSIDE RADIUS OF 0.5W AT ELBOWS IN GREASE DUCT.
- 8/6 DUCT UP THROUGH ROOF TO EF-2.
- 24/10 DUCT DOWN TO MAKEUP AIR PSP DUCT CONNECTION. TRANSITION TO SUPPLY PLENUM OPENING SIZE. TYPICAL FOR 4.
- 6" DIA. DUCT DOWN TO AC PSP DUCT CONNECTION. TRANSITION TO SUPPLY PLENUM OPENING SIZE. TYPICAL. CAP UNUSED DUCT CONNECTIONS.
- INSTALL GRIDPOINT THERMOSTATS FURNISHED BY TEMS FOR RTU-1 AND RTU-2 AT THIS LOCATION AT 48" AFF. COORDINATE WITH ELECTRICAL SWITCHING IN THIS AREA. PROVIDE WIRING AS SHOWN IN DETAIL 8/E710.
- INSTALL GRIDPOINT ZONE SENSOR MODULE FURNISHED BY TEMS FOR RTU-1 AT THIS LOCATION 60" AFF DIRECTLY TO WALL (NO JUNCTION BOX). COORDINATE LOCATION WITH EQUIPMENT. PROVIDE WIRING AS SHOWN IN DETAIL 8/E710.
- INSTALL GRIDPOINT ZONE SENSOR MODULE FURNISHED BY TEMS FOR RTU-2 AT THIS LOCATION 66" AFF DIRECTLY TO WALL (NO JUNCTION BOX). COORDINATE LOCATION WITH EQUIPMENT. PROVIDE WIRING AS SHOWN IN DETAIL 8/E710.
- INSTALL GRIDPOINT SUPPLY PROBE FURNISHED BY TEMS FOR RTU-1 IN THE SUPPLY DUCTWORK UPSTREAM FROM THE FIRST BRANCH CONNECTION. PROVIDE WIRING AS SHOWN IN DETAIL 8/E710.
- INSTALL GRIDPOINT SUPPLY PROBE FURNISHED BY TEMS FOR RTU-2 IN THE SUPPLY DUCTWORK UPSTREAM FROM THE FIRST BRANCH CONNECTION. PROVIDE WIRING AS SHOWN IN DETAIL 8/E710.
- INSTALL REMOTE TEMPERATURE SENSOR FOR HOOD HD-1 AT THIS LOCATION 66" AFF. COORDINATE LOCATION WITH EQUIPMENT. PROVIDE (2) #18 G. THERMISTOR CABLE FROM TEMPERATURE SENSOR TO HOOD CONTROL PANEL.

HVAC PLAN NOTES

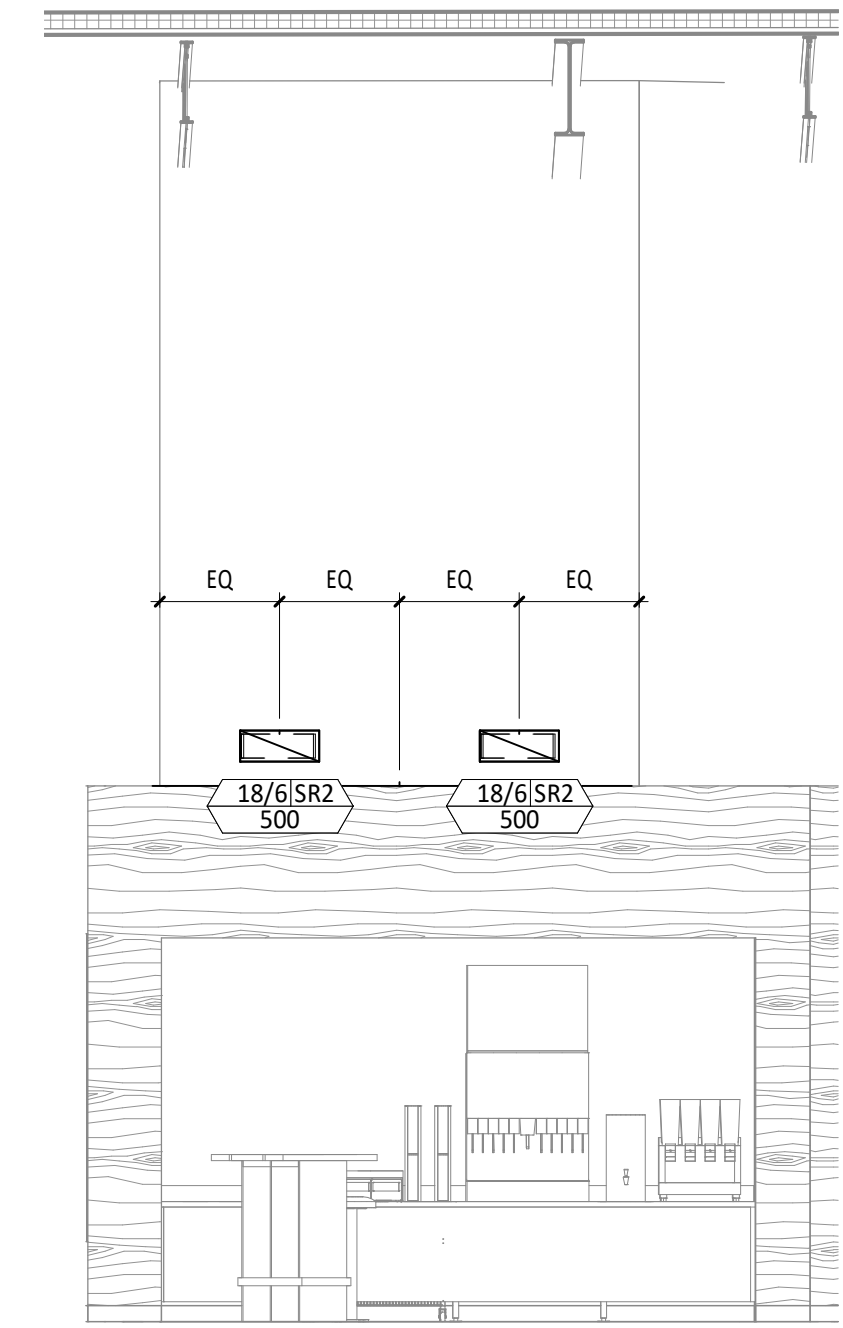
- INSTALL KITCHEN HOOD, HD-1. SUPPORT HOOD PER MANUFACTURER'S INSTALLATION INSTRUCTIONS AND AS DETAILED IN THE ARCHITECTURAL AND STRUCTURAL DRAWINGS. INSTALL HOOD ACCORDING TO THE REQUIREMENTS OF ITS LISTING. IN COMPLIANCE WITH NFPA 96, THE BUILDING CODE, AND AUTHORITIES HAVING JURISDICTION. HOOD SHALL HAVE AN INTEGRAL DUCT COLLAR TEMPERATURE SENSOR TO AUTOMATICALLY ENERGIZE THE EXHAUST AND MAKEUP AIR FANS IF COOKING TEMPERATURES ARE DETECTED. EXHAUST DUCT SYSTEM TO BE WELDED OR FACTORY-MANUFACTURED WATER AND AIR TIGHT. INSTALL HOOD PER DETAILS 2 AND 4/M700. CHIPOTLE WILL PROVIDE AN INDEPENDENT TESTING AGENCY FOR TESTING THE INTEGRITY OF THE GREASE DUCT SYSTEM.
- INSTALL REMOTE CONDENSING UNIT FOR WALK-IN COOLER ON ROOF AS DETAILED IN THE ARCHITECTURAL AND STRUCTURAL DRAWINGS. INSTALL REFRIGERANT LINE SET, THERMOSTATIC EXPANSION VALVE, SOLENOID VALVE, TEMPERATURE CONTROL, SIGHT GLASS, FILTER DRIER, PRESSURE CONTROL, LOW AMBIENT CONTROLS, AND WEATHERPROOF HOUSING. TRAP AND SLOPE REFRIGERANT LINES PER MANUFACTURER'S RECOMMENDATIONS. INSTALLATION SHALL COMPLY WITH ASHRAE/ANSI STANDARD 15. INSTALL THE REFRIGERANT LINE SET UNDER THE ROOF DECK TO WITHIN 3' OF THE CONDENSING UNIT. CUT 2-1/2" HOLE IN WALK-IN COOLER ROOF FOR REFRIGERANT LINE SET AND SEAL PER THE COOLER MANUFACTURER'S INSTALLATION INSTRUCTIONS AFTER LINE SET IS INSTALLED.
- INSTALL REMOTE CONDENSER FOR ICE MACHINE ON ROOF AS DETAILED IN THE ARCHITECTURAL AND STRUCTURAL DRAWINGS. INSTALL REFRIGERANT LINE SET, THERMOSTATIC EXPANSION VALVE, SOLENOID VALVE, TEMPERATURE CONTROL, SIGHT GLASS, FILTER DRIER, PRESSURE CONTROL, LOW AMBIENT CONTROLS, AND WEATHERPROOF HOUSING. TRAP AND SLOPE REFRIGERANT LINES PER MANUFACTURER'S RECOMMENDATIONS. SEAL PIPING PENETRATIONS THROUGH ROOF. INSTALLATION SHALL COMPLY WITH ASHRAE/ANSI STANDARD 15. INSTALL THE REFRIGERANT LINE SET UNDER THE ROOF DECK TO WITHIN 3' OF THE REMOTE CONDENSER. IF REFRIGERANT PIPING TO ICE MAKER IS EXPOSED TO PUBLIC VIEW CONCEAL WITHIN A STAINLESS STEEL SHROUD AS SHOWN IN THE ARCHITECTURAL DRAWINGS.
- INSTALL ROOFTOP EQUIPMENT PER MANUFACTURER'S INSTALLATION INSTRUCTIONS AND AS DETAILED IN THE ARCHITECTURAL AND STRUCTURAL DRAWINGS.
- INSTALL EXHAUST FAN EF-1 PER DETAIL 5/M700 AND AS DETAILED IN THE ARCHITECTURAL AND STRUCTURAL DRAWINGS. INSTALL GREASE VIROGUARD SYSTEM FURNISHED BY CHIPOTLE ON EXHAUST FAN, EF-1.
- PROVIDE SUPPLY DIFFUSER CONNECTION TO SUPPLY SYSTEM PER DETAIL 1/M700. TYPICAL.
- PROVIDE AUDIO/VISUAL REMOTE SMOKE DETECTOR ANNUNCIATOR WITH REMOTE KEY OPERATED RESET. WIRE A UNIT BACK TO EACH SMOKE DETECTOR. MOUNT UNIT 60" AFF. TYPICAL.
- INSTALL REME HALO AIR PURIFIER FURNISHED BY TUV IN RTU PER DETAIL 6/M700. SEE ELECTRICAL DRAWINGS FOR POWER CONNECTION INFORMATION. INSTALL UV WARNING STICKERS ON FACE OF ENCLOSURE PER DETAIL AND ON ANY RTU ACCESS DOOR(S) THROUGH WHICH THE REME HALO WOULD BE VISIBLE IF OPENED.
- MAINTAIN 10' CLEARANCE BETWEEN WATER HEATER FLUE TERMINATION AND OUTSIDE AIR INTAKES. MAINTAIN 10' CLEARANCE BETWEEN WATER HEATER COMBUSTION AIR INTAKE AND EXHAUST FAN EF-1 DISCHARGE. SEE PLUMBING DRAWINGS FOR MORE INFORMATION ON WATER HEATER FLUE AND COMBUSTION AIR TERMINATIONS.
- PENETRATIONS THROUGH SHEAR WALL SHALL BE LIMITED TO 10" DIAMETER (OR A GROUP OF PENETRATIONS ALL CONTAINED WITHIN 10" DIAMETER). IF LARGER PENETRATIONS OR GROUPS OF PENETRATIONS ARE REQUIRED COORDINATE WITH STRUCTURAL ENGINEER FOR APPROPRIATE BRACING. SEE STRUCTURAL DRAWINGS FOR SHEAR WALL LOCATION.



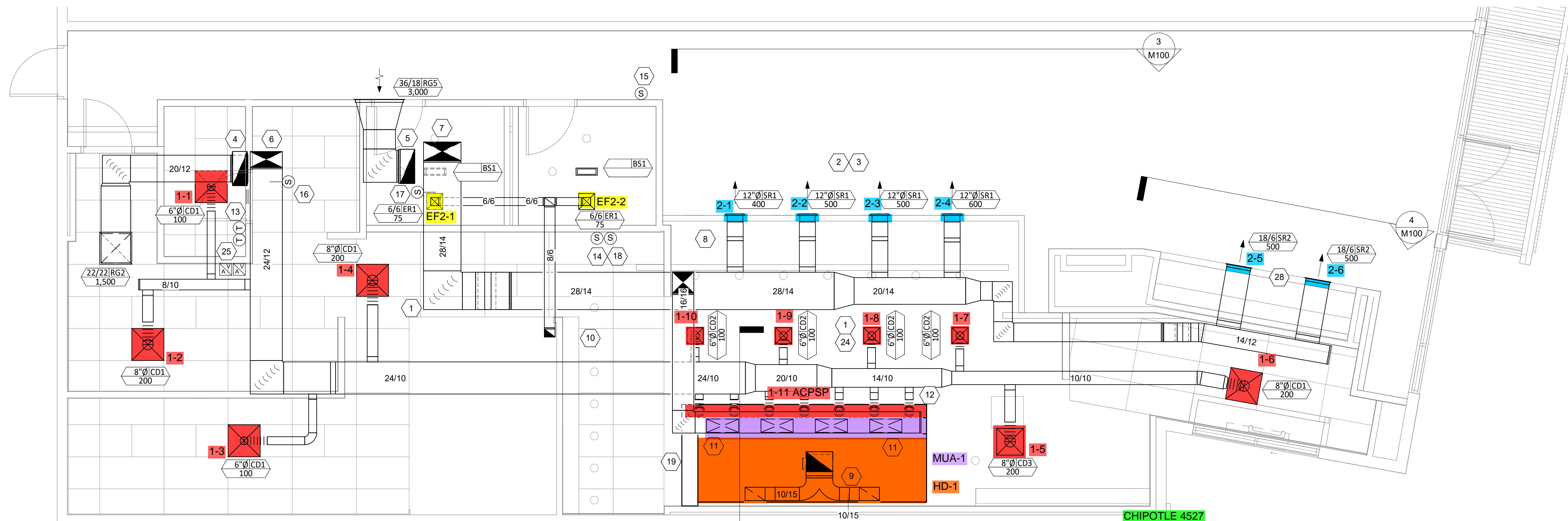
HVAC ROOF PLAN
1/8" = 1'-0"



HVAC DINING ROOM SECTION
1/4" = 1'-0"



HVAC DINING ROOM RETURN SECTION
1/4" = 1'-0"



HVAC FLOOR PLAN
1/4" = 1'-0"

Consultant:



Blanchard AE Group

1425 WAKARUSA DR. STE B
LAWRENCE, KS 66049
PH: 785.993.0300
AEGROUP@BAE.GROUP



COPYRIGHT 2022
THIS DRAWING IS AN INSTRUMENT OF SERVICE
AND AS SUCH REMAINS THE PROPERTY OF
CHIPOTLE MEXICAN GRILL, INC. PERMISSION FOR
USE OF THIS DOCUMENT IS LIMITED AND CAN BE
EXTENDED ONLY BY WRITTEN AGREEMENT WITH
CHIPOTLE MEXICAN GRILL, INC.



CHIPOTLE MEXICAN GRILL, INC.
PO BOX 182566
COLUMBUS, OH 43218-2566
TELEPHONE: (614) 318-2400
INTERNET: WWW.CHIPOTLE.COM

STORE NO.: 4527
INTERBAY
1827 15th Avenue West
Seattle, WA 98119

Issue Record:
05/31/2022 PERMIT ISSUE

Revisions:

Drawn: JJD
Checked: AJD

Project No.:
221044

Contents:

HVAC PLAN

M100

AIR BALANCE SCHEDULE				
TAG	SUPPLY FLOW	RETURN FLOW	EXHAUST FLOW	SUBTOTAL
EF-1	0 CFM	0 CFM	3,200 CFM	-3,200 CFM
EF-2	0 CFM	0 CFM	150 CFM	-150 CFM
MAU-1	1,950 CFM	0 CFM	0 CFM	1,950 CFM
RTU-1	2,000 CFM	1,500 CFM	0 CFM	500 CFM
RTU-2	3,000 CFM	2,000 CFM	0 CFM	1,000 CFM
NET PRESSURIZATION				100 CFM

VIROGUARD SCHEDULE							
TAG	COUNT	DESCRIPTION	DUCT CONNECTION SIZE	FAN	FURNISHED BY	INSTALLED BY	BASIS FOR DESIGN MANUFACTURER
VG-1	1	VIROGUARD HOOD EXHAUST FAN ROOFTOP CONTAINMENT SYSTEM	18" X 18"	CAPTIVE-AIRE DU240HFA	TDC	GC	ENVIROMATIC

AIR TERMINAL SCHEDULE												
TAG	DESCRIPTION	FACE SIZE	MATERIAL	FINISH	MOUNTING	FURNISHED BY	INSTALLED BY	BASIS FOR DESIGN		NOTES		
								MANUFACTURER	MODEL			
BS1	BATHROOM AIR PURIFICATION UNIT		STAINLESS STEEL	STAINLESS STEEL	SURFACE MOUNT	TUV	GC	RGF ENVIRONMENTAL GROUP	BRU ASSEMBLY	SEE ELECTRICAL SHEETS FOR CONNECTION INFORMATION		
CD1	PERFORATED CEILING DIFFUSER	24" X 24"	ALUMINUM	WHITE	LAY-IN CEILING	GC	GC	NAILOR	4320A TYPE L	PROVIDE WITH INTEGRAL OBD		
CD2	PERFORATED CEILING DIFFUSER	12" X 12"	ALUMINUM	WHITE	SURFACE MOUNT	GC	GC	NAILOR	4320A TYPE S	PROVIDE WITH INTEGRAL OBD		
CD3	PERFORATED CEILING DIFFUSER	20" X 20"	ALUMINUM	WHITE	SURFACE MOUNT	GC	GC	NAILOR	4320A TYPE S	PROVIDE WITH INTEGRAL OBD		
ER1	PERFORATED CEILING EXHAUST	12" X 12"	ALUMINUM	WHITE	SURFACE MOUNT	GC	GC	NAILOR	4330R TYPE S	PROVIDE INTEGRAL OBD		
RG2	PERFORATED CEILING RETURN	24" X 24"	ALUMINUM	WHITE	LAY-IN CEILING	GC	GC	NAILOR	4330R TYPE L			
RG5	0" FIXED BLADE RETURN GRILLE	SEE NECK SIZE	ALUMINUM	WHITE	WALL	GC	GC	NAILOR	51FH			
SR1	ADJUSTABLE TURBO NOZZLE	SEE NECK SIZE	ALUMINUM	WHITE	WALL	GC	GC	SEIHO	NT12	PROVIDE WITH FACE-ACCESSIBLE OBD		
SR2	DOUBLE DEFLECTION SUPPLY REGISTER	SEE NECK SIZE	ALUMINUM	WHITE	WALL	GC	GC	NAILOR	51DH	PROVIDE WITH INTEGRAL OBD		

CONTROL FUNCTIONS	
A.	THE MAIN COOKING EXHAUST FAN AND MAKE-UP AIR UNIT SHALL BE INTERLOCKED TO OPERATE TOGETHER. THIS CONTROL CIRCUIT IS ACTIVATED BY A SWITCH AND INCLUDES A FIRE PROTECTION OVERRIDE.
B.	THE TEMPERATURE IN EACH ZONE IS CONTROLLED BY SPACE TEMPERATURE SENSORS CONNECTED TO THE THERMOSTATS LOCATED IN THE OFFICE. ALL ZONES SHALL OPERATE WITH CONTINUOUS FAN OPERATION DURING OCCUPIED TIMES AND INTERMITTENTLY AS NEEDED TO MAINTAIN SET POINTS DURING UNOCCUPIED TIMES. OUTSIDE AIR DAMPERS SHALL BE OPEN CONTINUOUSLY WHEN EITHER IN OCCUPIED MODE OR WHEN THE HOOD SYSTEM IS ON AND SHALL BE CLOSED DURING UNOCCUPIED PERIODS.
C.	THE THERMOSTATS SHALL DETERMINE OCCUPIED/UNOCCUPIED STATUS BASED ON THE SCHEDULE IN THE ENERGY MANAGEMENT SYSTEM.

FAN SCHEDULE												
TAG	DESCRIPTION	AIRFLOW	E.S.P.	WEIGHT	ELECTRICAL		FURNISHED BY	INSTALLED BY	BASIS FOR DESIGN		REMARKS	
					MOTOR POWER	V/P/H			MANUFACTURER	MODEL		
EF-1	UPBLAST UL762 EXHAUST FAN	3,200 CFM	1.20 in-wg	400 lb	3 hp	208/3/60	HS	GC	CAPTIVE-AIRE	DU240HFA	DIRECT DRIVE UL762 UPBLAST EXHAUST FAN FURNISHED WITH WEATHERPROOF DISCONNECT AND VENTED ROOF CURB	
EF-2	DOWNBLAST RESTROOM EXHAUST FAN	150 CFM	0.60 in-wg	100 lb	0.18 hp	120/1/60	HS	GC	CAPTIVE-AIRE	DR12HFA	DIRECT DRIVE DOWNBLAST RESTROOM EXHAUST FAN FURNISHED WITH INTEGRAL DISCONNECT, SPEED CONTROL, BACKDRAFT DAMPER, AND CURB	

CONDENSING UNIT SCHEDULE															
TAG	DESCRIPTION	NOMINAL CAPACITY	NUMBER OF		REFRIGERANT		WEIGHT	ELECTRICAL			FURNISHED BY	INSTALLED BY	BASIS FOR DESIGN		REMARKS
			COMPRESSORS	CIRCUITS	TYPE	CHARGE		MOCP	FLA	V/P/H			MANUFACTURER	MODEL	
CU-1	CONDENSING UNIT - WALK-IN COOLER		1	1	R-404A	10.4 lb	250 lb	15 A	9 A	208/3/60	WCS	GC	HARFORD	KPCL99MZOP-3E	FURNISHED WITH WALK-IN COOLER
CU-2	REMOTE CONDENSER - LOW CAPACITY ICE MAKER		0	1	R-404A	11.46 lb	100 lb			120/1/60	KES	GC	HOSHIZAKI	URC-9F	FURNISHED WITH ICE MAKER
CU-3	REMOTE CONDENSER - SODA MACHINE ICE MAKER		0	1	R-404A	3.86 lb	100 lb			120/1/60	KES	GC	HOSHIZAKI	URC-5F	FURNISHED WITH ICE MAKER

MAKEUP AIR UNIT SCHEDULE															
TAG	DESCRIPTION	AIRFLOW	E.S.P.	HEATING			WEIGHT	ELECTRICAL		FURNISHED BY	INSTALLED BY	BASIS FOR DESIGN		REMARKS	
				INPUT	OUTPUT	EAT		MOTOR POWER	V/P/H			MANUFACTURER	MODEL		
MAU-1	DIRECT-FIRED MAKEUP AIR UNIT	1,950 CFM	0.80 in-wg	225,000 Btu/h	220,000 Btu/h	21 °F	600 lb	2 hp	208/3/60	HS	GC	CAPTIVE-AIRE	A1-D.250-G10	12.5:1 MAX TURNDOWN. FURNISHED WITH DISCONNECT, ROOF CURB, SCREEN INTAKE, AND WASHABLE ALUMINUM FILTERS	

KITCHEN HOOD SCHEDULE																									
TAG	DESCRIPTION	MAX COOKING TEMP.	EXHAUST PLENUM						PERFORATED SUPPLY PLENUMS						NO. OF LIGHT FIXTURES	WEIGHT	FURNISHED BY	INSTALLED BY	BASIS FOR DESIGN		REMARKS				
			AIRFLOW	E.S.P.	DUCT COLLARS		LENGTH	WIDTH	LENGTH	WIDTH	LENGTH	WIDTH	MAU PLENUM						AC PLENUM			MANUFACTURER	MODEL		
					NO.	WIDTH							NO.	DIAMETER											
HD-1	TYPE I CANOPY HOOD WITH PERFORATED MAU AND AC SUPPLY PLENUMS	600 °F	3,200 CFM	0.86 in-wg	2	10"	1' - 3"	14' - 3"	4' - 3"	15' - 3"	1' - 10"	1,950 CFM	4	10"	2' - 0"	800 CFM	7	8"	10	1,200 lb	HS	GC	CAPTIVE-AIRE	5424 ND-2-ACPPS-F	MAT'L: 18 GA. TYPE 430 SS. FURNISHED WITH VAPORPROOF INCANDESCENT LIGHT FIXTURES, 16" TALL HE 55 FILTERS, INTEGRAL UTILITY CABINET, ANSUL SYSTEM, DUCT COLLAR TEMPERATURE SENSOR, PREWIRE PACKAGE, SPARE FIRE SYSTEM DRY CONTACT, AND 4-POLE 20A CONTACTOR

ROOFTOP UNIT SCHEDULE																						
TAG	DESCRIPTION	NOMINAL CAPACITY	AIRFLOW			NET COOLING CAPACITY					HEATING CAPACITY			ELECTRICAL			BASIS FOR DESIGN		REMARKS			
			TOTAL	OA	E.S.P. (IN. W.C.)	TOTAL (MBH)	SENSIBLE (MBH)	EAT DB	WB	COND. EAT	INPUT (MBH)	OUTPUT (MBH)	EAT	WEIGHT	MOCP	MCA	V/P/H	MANUFACTURER		MODEL		
RTU-1	KICTHEN ROOFTOP UNIT	5 ton	2,000 CFM	500 CFM	0.8	61.5	48	80 °F	67 °F	95 °F	115	93	58.5 °F	800 lb	45 A	30 A	208/3/60	CARRIER	48LC_06	FURNISH WITH COMP. ENTHALPY ECON., BAROMETRIC RELIEF, RET. SMOKE DETECTOR W/ REMOTE KEYED ANNUNCIATOR/RESET, M.O.D., MERV-8 FILTERS, CURB, HAIL GUARD, TOOLLESS HINGED ACCESS PANEL, FACTORY MOUNTED DISCONNECT, & UNIT MOUNTED FIELD WIRED CONVENIENCE RECEPTACLE		
RTU-2	DINING ROOM ROOFTOP UNIT	7.5 ton	3,000 CFM	1,000 CFM	0.8	91	71	80 °F	67 °F	95 °F	160	130	55 °F	1,800 lb	50 A	42 A	208/3/60	CARRIER	48LC_09	FURNISH WITH COMP. ENTHALPY ECON., BAROMETRIC RELIEF, RET. SMOKE DETECTOR W/ REMOTE KEYED ANNUNCIATOR/RESET, M.O.D., MERV-8 FILTERS, CURB, HAIL GUARD, TOOLLESS HINGED ACCESS PANEL, FACTORY MOUNTED DISCONNECT, & UNIT MOUNTED FIELD WIRED CONVENIENCE RECEPTACLE		

Consultant:



Blanchard AE Group

1425 WAKARUSA DR. STE B
LAWRENCE, KS 66049
PH: 785.993.0300
AEGROUP@BAE.GROUP



COPYRIGHT 2022
THIS DRAWING IS AN INSTRUMENT OF SERVICE AND AS SUCH REMAINS THE PROPERTY OF CHIPOTLE MEXICAN GRILL, INC. PERMISSION FOR USE OF THIS DOCUMENT IS LIMITED AND CAN BE EXTENDED ONLY BY WRITTEN AGREEMENT WITH CHIPOTLE MEXICAN GRILL, INC.



CHIPOTLE MEXICAN GRILL, INC.
PO BOX 182566
COLUMBUS, OH 43218-2566
TELEPHONE: (614) 318-2400
INTERNET: WWW.CHIPOTLE.COM

STORE NO.: 4527
INTERBAY
1827 15th Avenue West
Seattle, WA 98119

Issue Record:
05/31/2022 PERMIT ISSUE

Revisions:

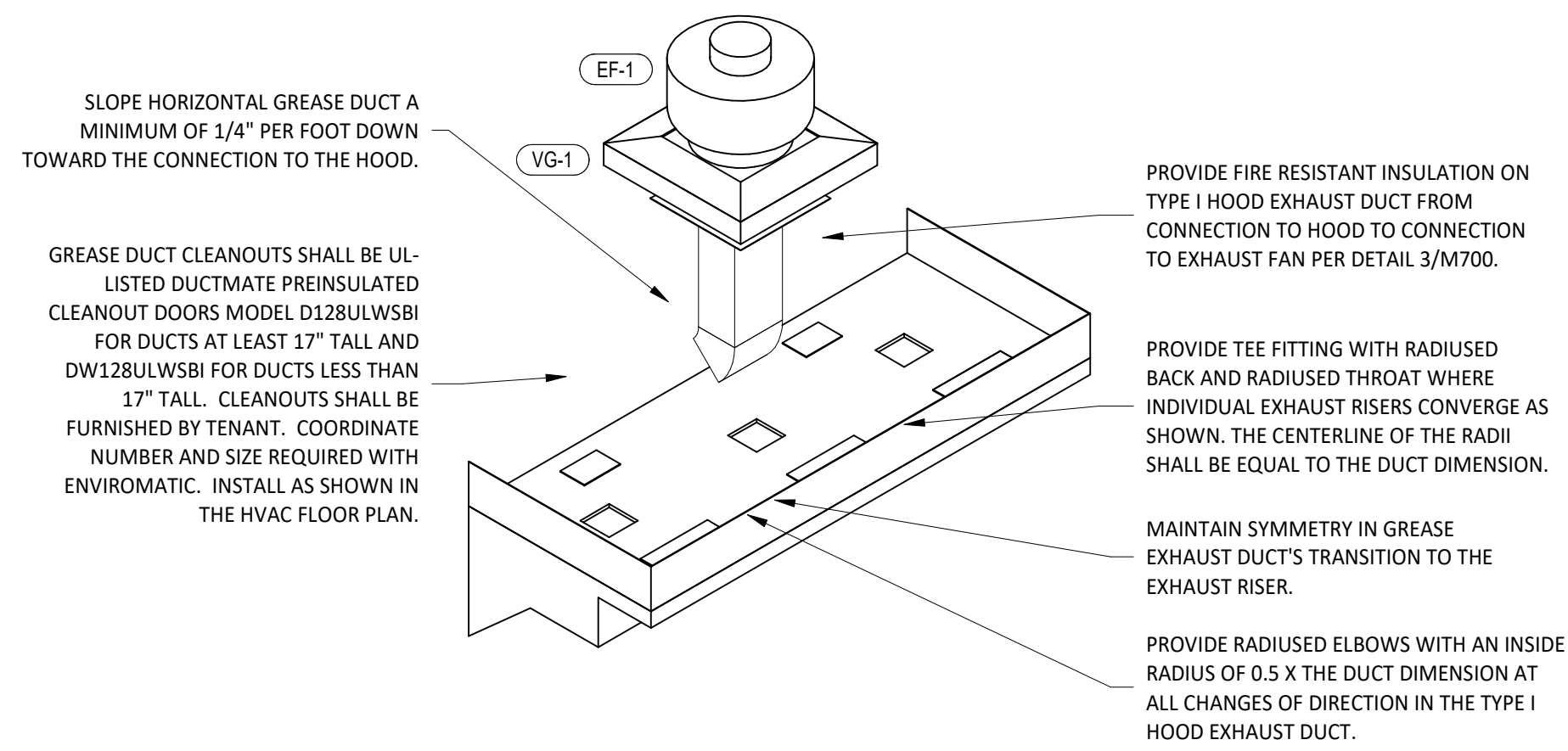
Drawn: JJD Checked: AJD

Project No:
221044

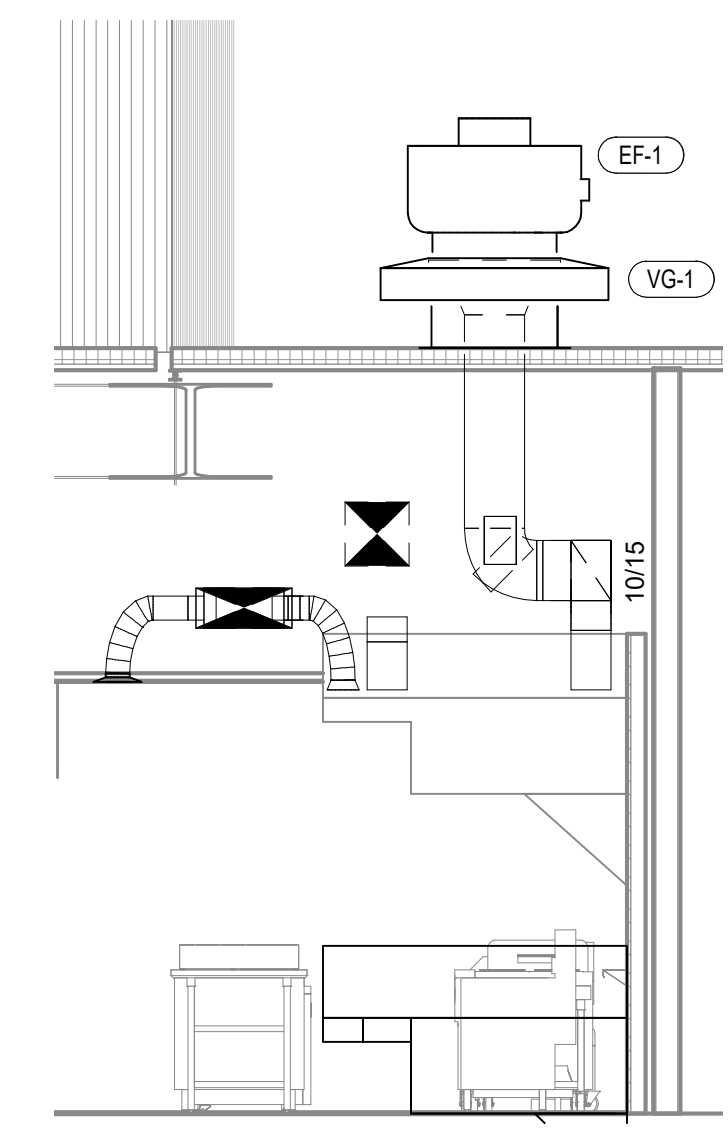
Contents:

HVAC SCHEDULES

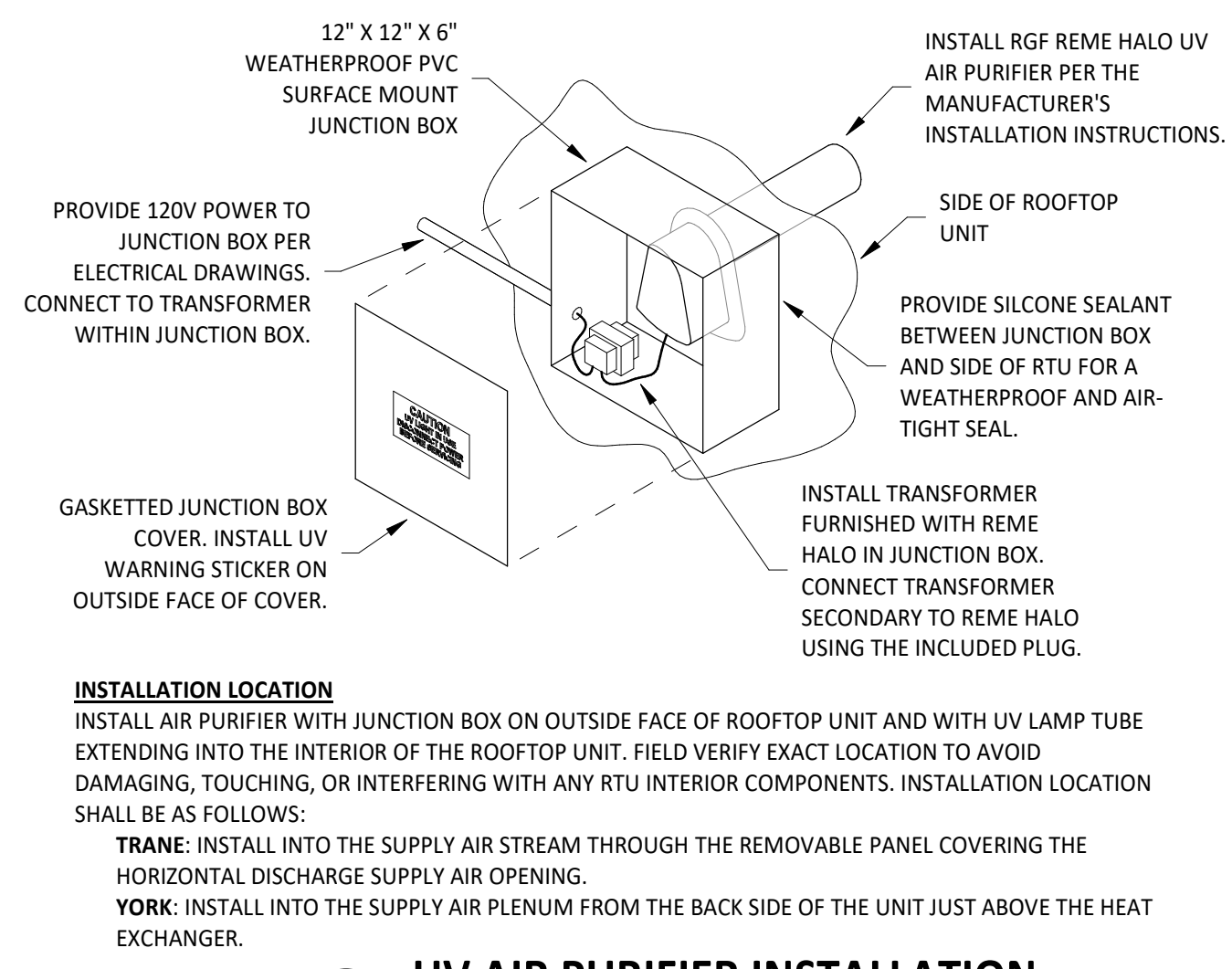
M600



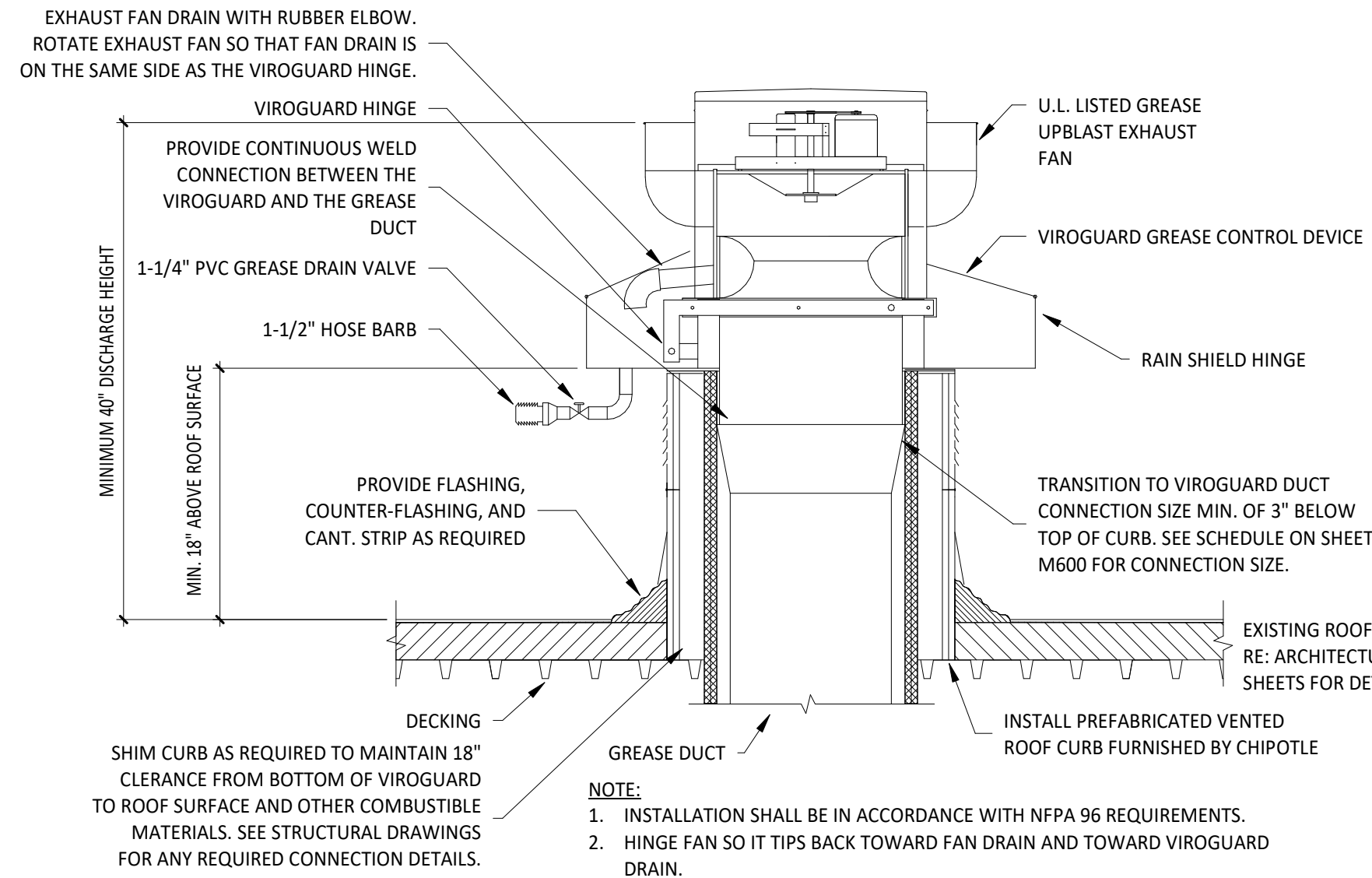
8 HOOD EXHAUST ISOMETRIC
M700 NOT TO SCALE



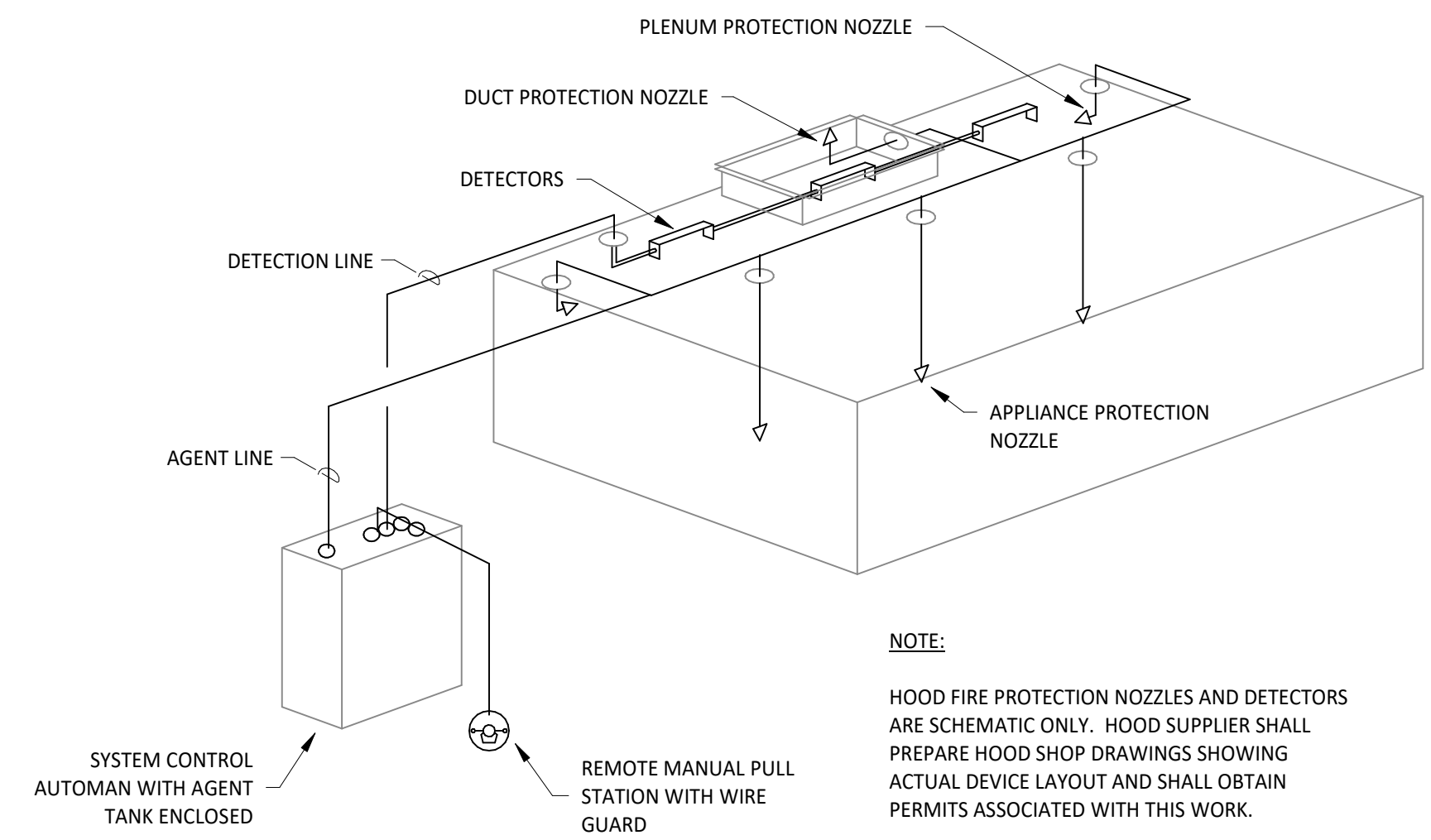
7 DUCT SECTION AT HOOD
M700 1/4" = 1'-0"



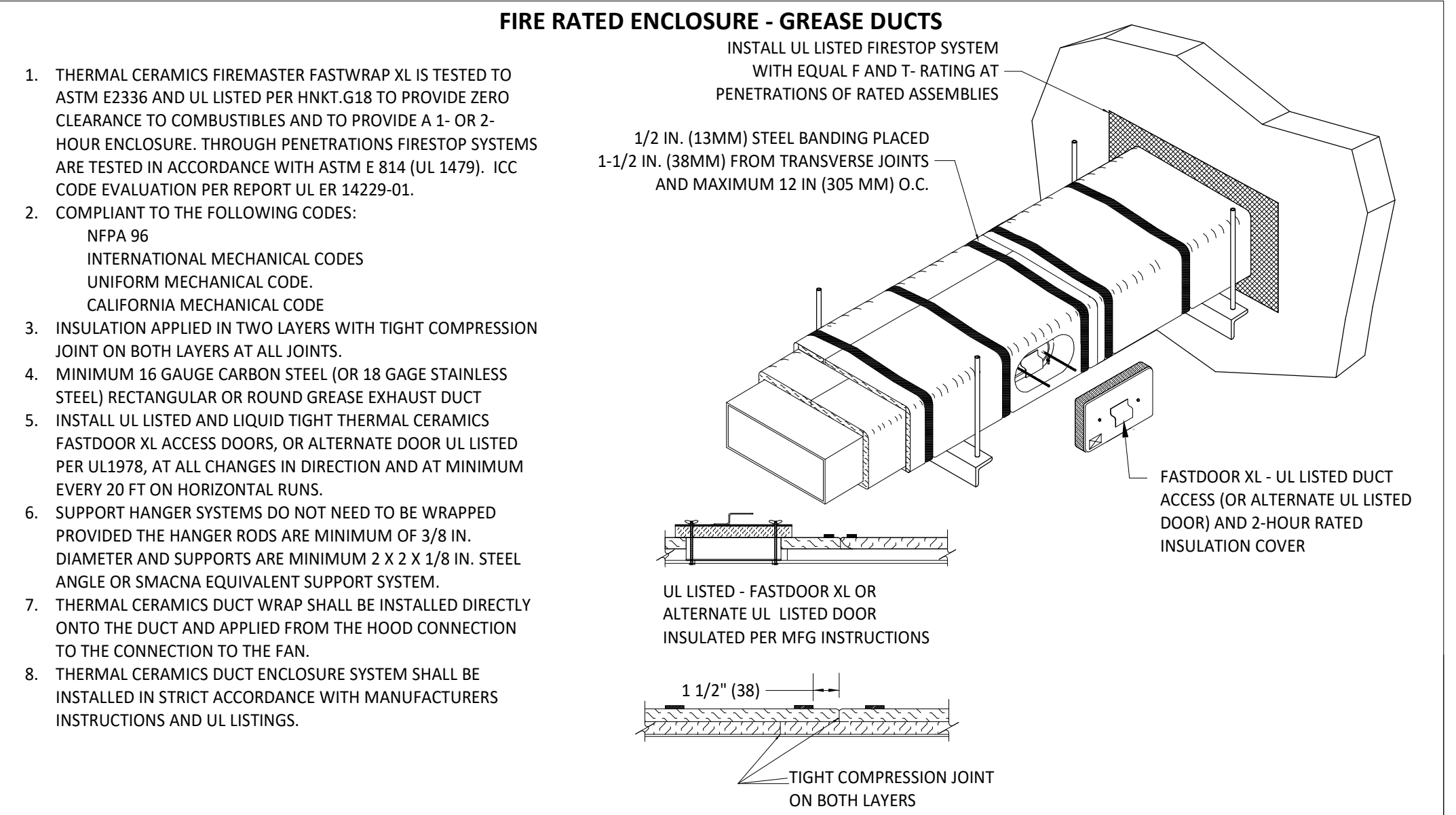
6 UV AIR PURIFIER INSTALLATION
M700 NOT TO SCALE



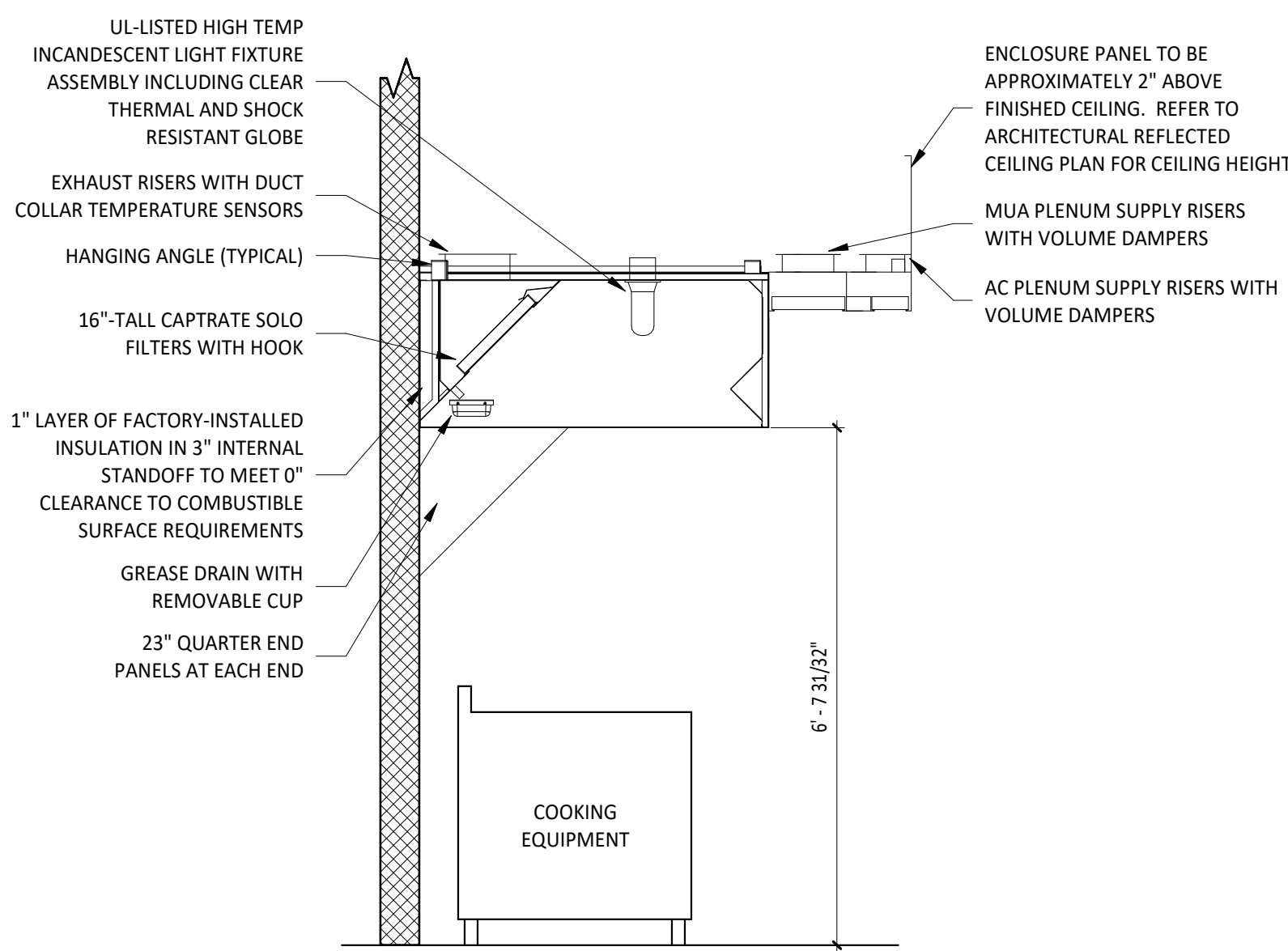
5 GREASE EXHAUST FAN
M700 NOT TO SCALE



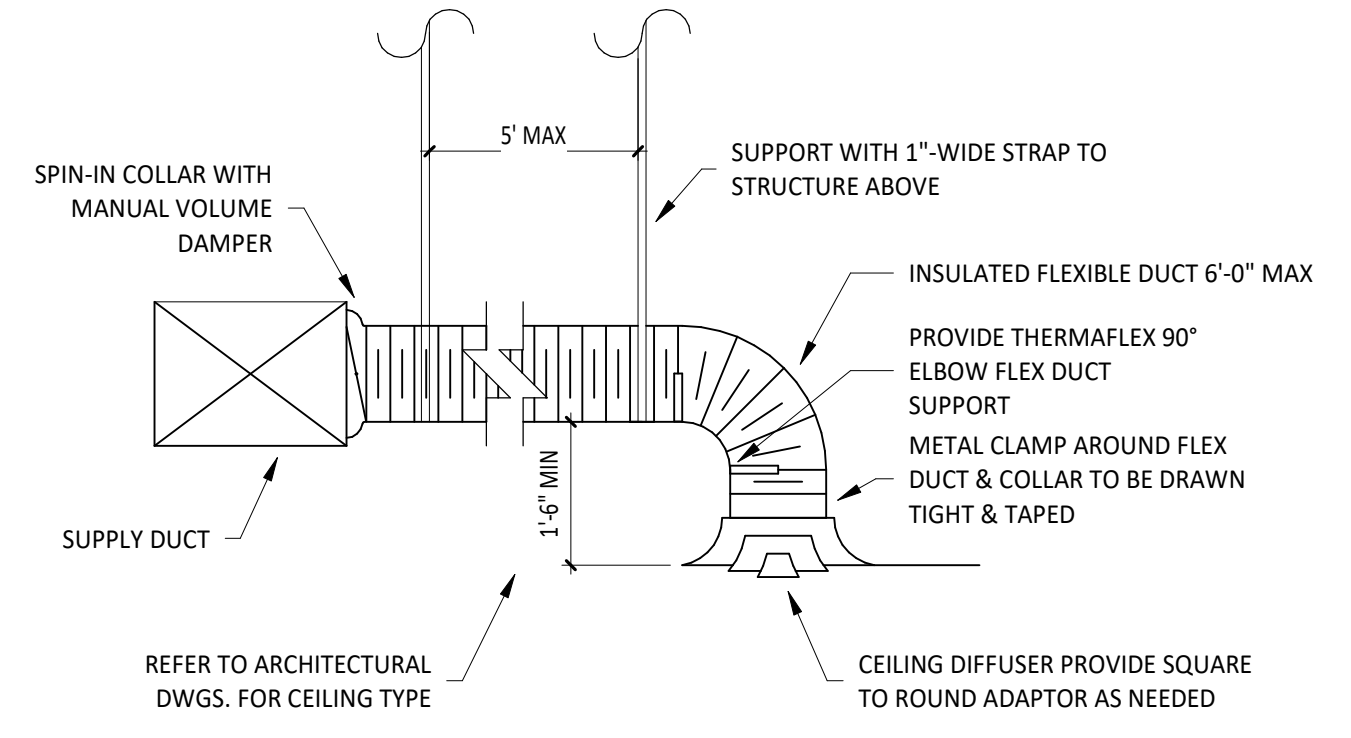
4 FIRE SUPPRESSION SYSTEM SCHEMATIC
M700 NOT TO SCALE



3 FIREMASTER DUCT WRAP - UL HNKT-G18
M700 NOT TO SCALE

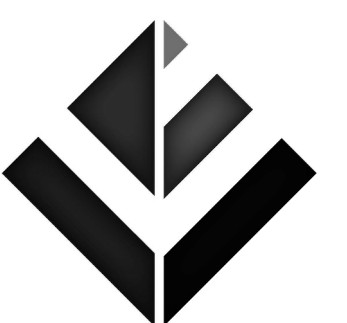


2 HOOD SECTION VIEW
M700 NOT TO SCALE



1 DIFFUSER CONNECTION
M700 NOT TO SCALE

Consultant:



Blanchard AE Group

1425 WAKARUSA DR. STE B
LAWRENCE, KS 66049
PH: 785.993.0300
AEGROUP@BAE.GROUP



COPYRIGHT 2022
THIS DRAWING IS AN INSTRUMENT OF SERVICE AND AS SUCH REMAINS THE PROPERTY OF CHIPOTLE MEXICAN GRILL, INC. PERMISSION FOR USE OF THIS DOCUMENT IS LIMITED AND CAN BE EXTENDED ONLY BY WRITTEN AGREEMENT WITH CHIPOTLE MEXICAN GRILL, INC.



CHIPOTLE MEXICAN GRILL, INC.
PO BOX 182566
COLUMBUS, OH 43218-2566
TELEPHONE: (614) 318-2400
INTERNET: WWW.CHIPOTLE.COM

STORE NO.: 4527

INTERBAY
1827 15th Avenue West
Seattle, WA 98119

Issue Record:
05/31/2022 PERMIT ISSUE

Revisions:

Drawn: IJD
Checked: AJD

Project No.: 221044

Contents:

HVAC DETAILS

M700