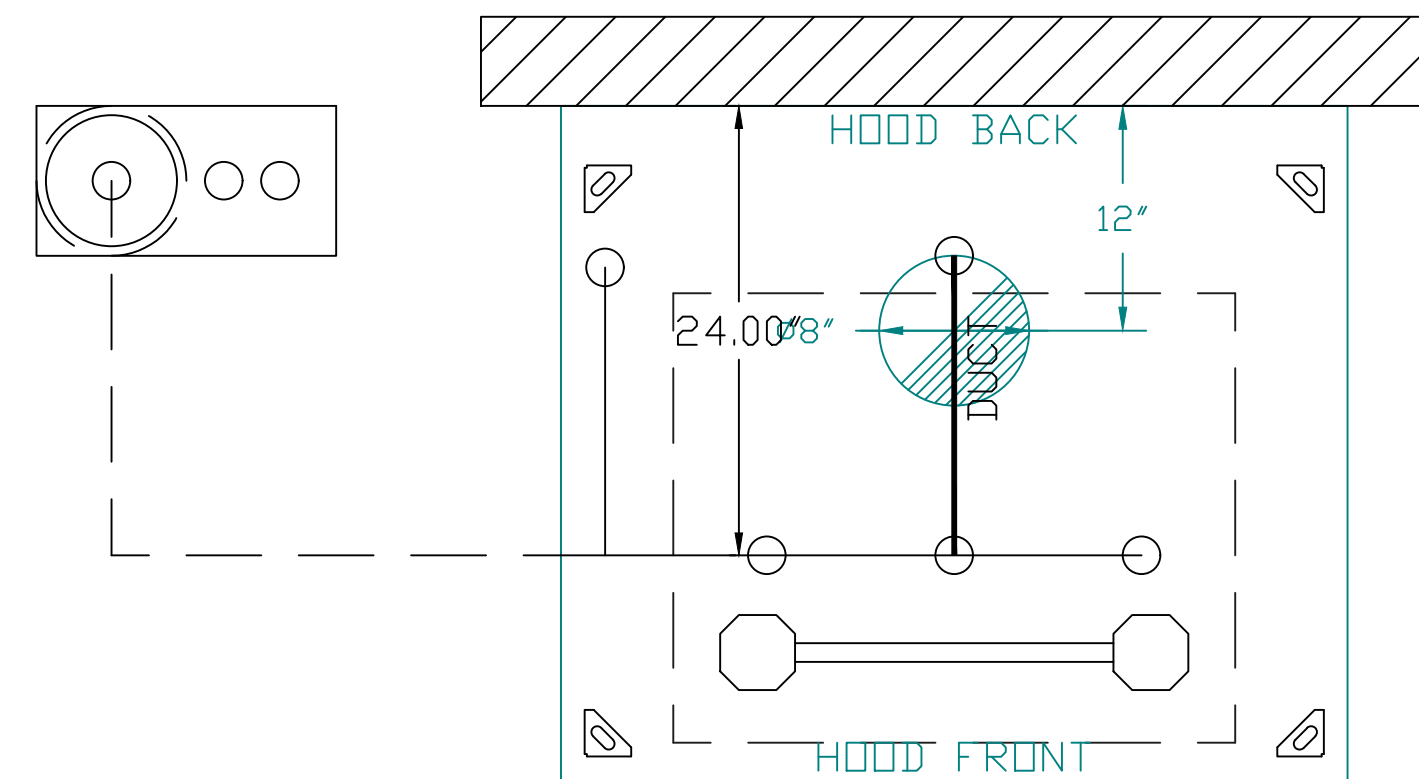


HOOD # 1 (HD-1 (FRY)) JOB #
4942696
MODEL: BD-2 SIZE: 36"x50"
LENGTH: 3' 6"



NOTES

- FIELD PIPE DROPS AS SHOWN
- SLEEVING, ELBOWS, TEES, AND NOZZLES SUPPLIED BY CAS.
- RELOCATE NOZZLES IF FLOW PATTERN IS BLOCKED BY SHELVING, SALAMANDERS, ETC.
- MAXIMUM 9 ELBOWS IN SUPPLY LINE.
- MINIMUM 72 INCHES OF AGENT LINE FROM TANK TO FIRST NOZZLE COVERING A RANGE, FRYER, OR WOK TO REFLECT GENERAL PIPING REQUIREMENTS.
- IF APPLICABLE, PRE-PIPED CHARBROILER DROPS ARE SHIPPED LOOSE.
- FACTORY PIPING EXTENDS A MAXIMUM OF 6" ABOVE THE TOP OF THE HOOD.

- APPLIANCE DIMENSIONS LISTED REPRESENT THE COOKING SURFACE SIZE, NOT THE OVERALL APPLIANCE SIZE.

- THIS FIRE SYSTEM COMPLIES WITH U.L. 300 REQUIREMENTS.

JOB #: 4942696.
JOB NAME: SKYLINE (UNION,KY).

SYSTEM SIZE: ANSUL-3.0 TOTAL FP REQUIRED: 8.
HOOD # 1 3' 6.00" LONG x 36" WIDE x 50" HIGH.
RISER # 1 SIZE: 8" DIA.
HOOD # 1 METAL BLOW-OFF CAPS INCLUDED.

LEGEND - WALL MOUNTED ANSUL SYSTEM

- 1A 1.5 GALLON TANK.
- 1B 3.0 GALLON TANK.
- 2 AUTOMAN RELEASE.
- 3 3 GALLON TANK ENCLOSURE.
- 3A 6 GALLON TANK ENCLOSURE.
- 4 REGULATED ACTUATOR.
- 5 ANSULEX LIQUID AGENT (3 GAL.).
- 6 ANSULEX LIQUID AGENT (1.5 GAL.).
- 7 CARTRIDGE (101-20).
- 8 CARTRIDGE (101-10).
- 9 CARTRIDGE (101-30).
- 9A CARTRIDGE (LT-A-101-30).
- 9B DOUBLE TANK CARTRIDGE.
- 10 TEST LINK.
- 11 DOUBLE MICROSWITCH.
- 2W DUCT NOZZLE (419337).
- 1W NOZZLE ASSEMBLY (419336).
- 1F NOZZLE ASSEMBLY (419333).
- 1N NOZZLE ASSEMBLY (419335).
- 1/2N NOZZLE ASSEMBLY (419334).
- 3N NOZZLE ASSEMBLY (419338).
- 245 NOZZLE ASSEMBLY (419340).
- 230 NOZZLE ASSEMBLY (419339).
- 2120 NOZZLE ASSEMBLY (419343).
- 290 NOZZLE ASSEMBLY (419342).
- 260 NOZZLE ASSEMBLY (419341).
- 28 DETECTOR BRACKET.
- 29 LOW TEMP FUSIBLE LINK.
- 30 HIGH TEMP FUSIBLE LINK.
- MGV MECHANICAL GAS VALVE.
- EGV ELECTRICAL GAS VALVE.
- 34 REMOTE MANUAL PULL STATION.
- S SWIVEL ADAPTOR.

