



# COOK

EF-A PAGE 1  
 EF-B PAGE 7  
 EF-1,2,3 PAGE 10  
 EF-4 PAGE 13



MARK: EF-A NO CRD

PROJECT: EVERHOME SUITE

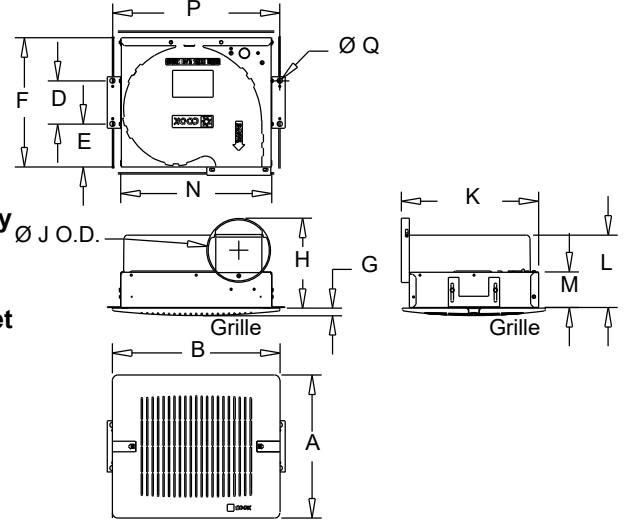
DATE: 2/20/2024

## GEMINI Vari-Flow®

### Ceiling Fans 100 Series

#### STANDARD CONSTRUCTION FEATURES:

Forward curved injection molded polypropylene fan wheel - Injection molded flame resistant fan housing with round outlet duct - 22 ga. galvanized steel inlet box - Isolation mounted motor, mounted to one piece galvanized stamped steel integral motor mount/inlet - Permanently lubricated electronically commutated variable speed motor with built-in electronic overload protection and disconnect plug - Field wiring compartment with receptacle - Adjustable prepunched mounting bracket - White, high impact styrene injection molded grille - Shipped in ISTA certified transit tested packaging



#### Performance

Qty	Catalog Number	Flow (CFM)	SP (inwc)	Nominal RPM	Input Watts	Speed Control
21	GCVF-100	50	.250	685	5	EC

Altitude (ft): 538 Temperature (F): 70

#### Motor Information

Volts/Ph/Hz	Nameplate Amps
115/1/60	.26



Motor is electronically/thermally protected.

#### Sound Data Inlet Sound Power by Octave Band

1	2	3	4	5	6	7	8	LwA	dBA	Sones
39	41	44	46	38	31	24	15	45	33	.8

- Distance from Sound source 5 ft

#### Accessories:

- WHITE PLASTIC GRILLE
- INTEGRAL BD DAMPER
- 6X4 GALV DUCT ADAPTR

#### Dimensions (inches)

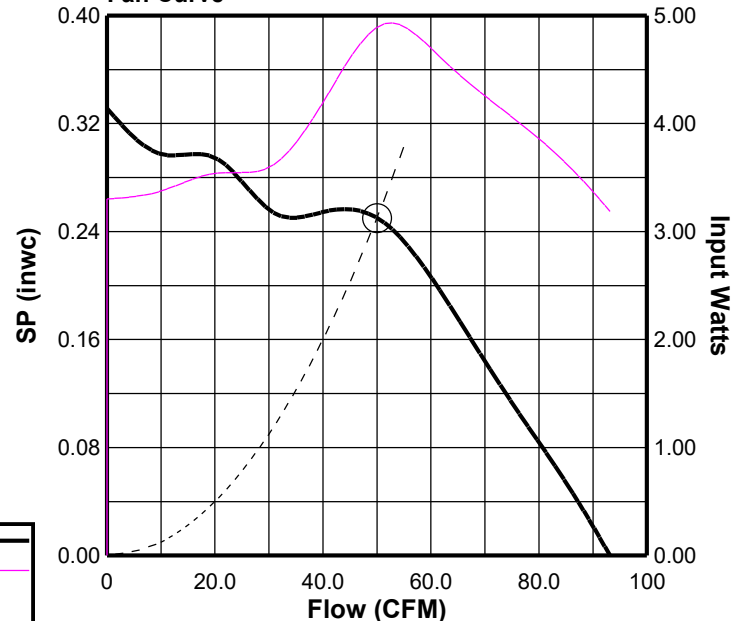
A Plastic	13-1/4	H	8-3/8
B Plastic	15-1/2	J O.D.	5-15/16
A Steel	13-1/2	K	12-3/4
B Steel	15-1/2	L	6-11/16
A Aluminum	13-3/4	M	3-1/4
B Aluminum	15-1/2	N	14
D	4	P	15-1/2
E	4	Q	1/2
F	12		
G	5/8		

NOTE: Accessories may affect dimensions shown.

Weight(lbs)***	Shipping	21	Unit	18
----------------	----------	----	------	----

\*\*\*Includes fan, motor & accessories.

#### Fan Curve



#### Fan Curve Legend

CFM vs SP	—
CFM vs Watts	—
Point of Operation	○
System Curve	- - -



# COOK



<b>MARK: EF-A NO CRD</b>
<b>PROJECT: EVERHOME SUITE</b>
<b>DATE: 2/20/2024</b>

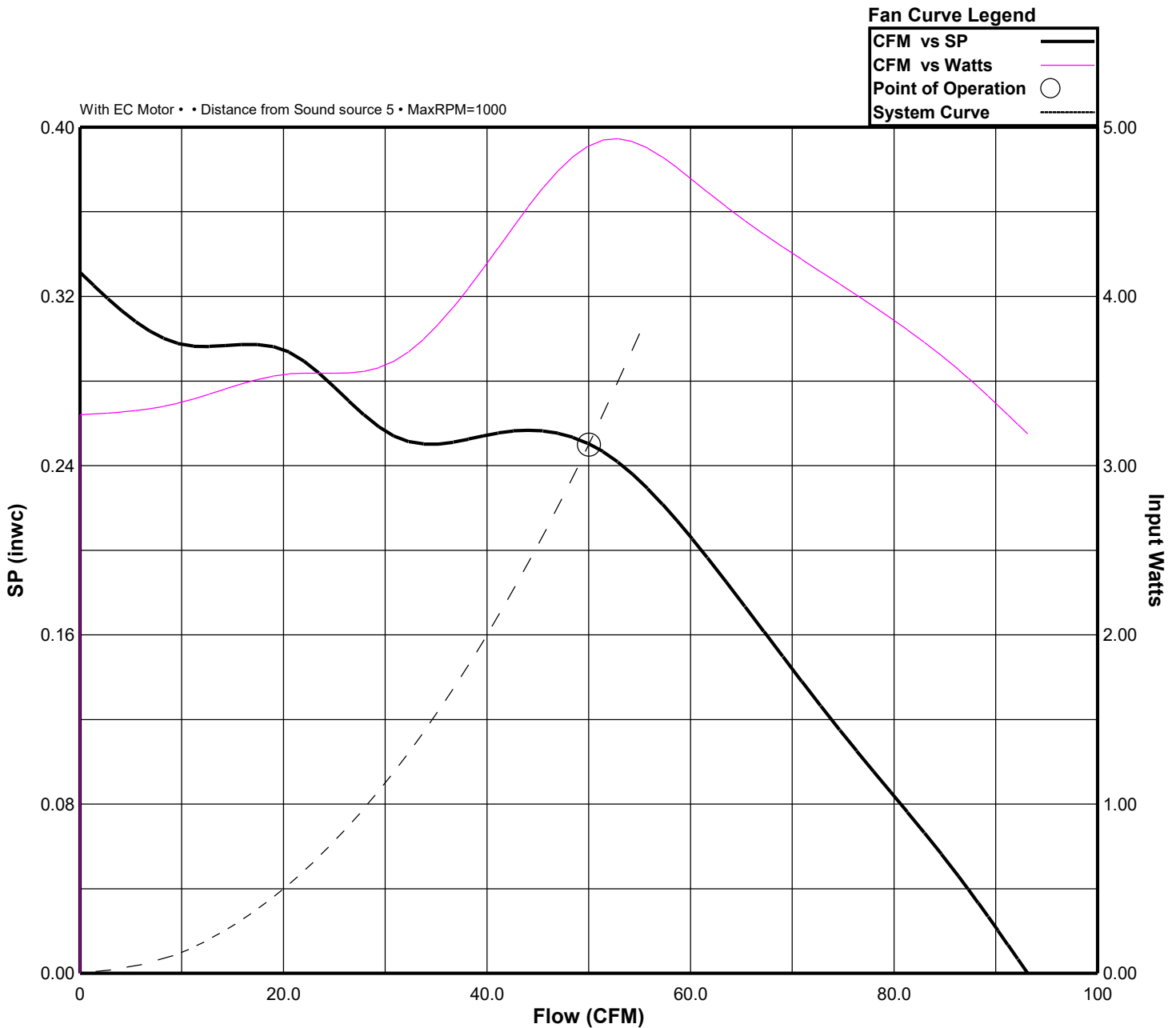
## GEMINI Vari-Flow®

### Performance

Catalog Number	Flow (CFM)	SP (inwc)	Nominal RPM	Input Watts	OVEL (fpm)	TSPD (fpm)	SE	Temp (°F)	ALT (ft)
GCVF-100	50	.250	685	5	255	1368	38%	70	538

### Sound Data Inlet Sound Power by Octave Band

1	2	3	4	5	6	7	8	LwA	dBA	Sones
39	41	44	46	38	31	24	15	45	33	.8





# COOK

MARK: EF-A NO CRD
PROJECT: EVERHOME SUITE
DATE: 2/20/2024

## GEMINI Vari-Flow<sup>®</sup>

### AMCA License Information



Loren Cook Company certifies that the GCVF-100 shown herein is licensed to bear the AMCA Seal. The ratings shown are based on tests and procedures performed in accordance with AMCA Publication 211 and AMCA Publication 311 and comply with the requirements of the AMCA Certified Ratings Program.

Performance certified is for installation type B: free inlet, ducted outlet. Speed (RPM/RPS) shown is nominal. Performance is based on actual speed of test. Performance ratings include the effects of inlet grill. The sound ratings shown are loudness values in spherical sones at 5 ft. in a spherical free field calculated per AMCA Standard 301. Values shown are for Installation type B: free inlet spherical sone levels.

The sound power level ratings shown are in decibels, referred to 10(-12) watts calculated per AMCA Standard 301. Values shown are for inlet Lwi and LwiA sound power levels for installation type B: free inlet, ducted outlet. Ratings do not include the effects of duct end correction. The A-weighted sound ratings shown have been calculated per AMCA Standard 301. The dBA levels shown have been calculated for a distance of 5 ft in a hemispherical free field. The AMCA Certified Ratings Seal applies to sone ratings only. Octave Band, LwA and dBA levels are not AMCA International licensed.



# COOK



MARK: EF-A W- CRD

PROJECT: EVERHOME SUITE

DATE: 2/20/2024

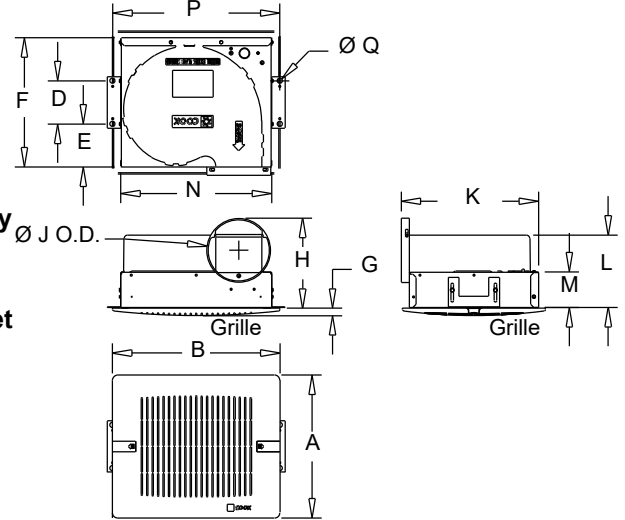
## GEMINI Vari-Flow®

### Ceiling Fans

#### 100 Series

##### STANDARD CONSTRUCTION FEATURES:

Forward curved injection molded polypropylene fan wheel - Injection molded flame resistant fan housing with round outlet duct - 22 ga. galvanized steel inlet box - Isolation mounted motor, mounted to one piece galvanized stamped steel integral motor mount/inlet - Permanently lubricated electronically commutated variable speed motor with built-in electronic overload protection and disconnect plug - Field wiring compartment with receptacle - Adjustable prepunched mounting bracket - White, high impact styrene injection molded grille - Shipped in ISTA certified transit tested packaging



##### Performance

Qty	Catalog Number	Flow (CFM)	SP (inwc)	Nominal RPM	Input Watts	Speed Control
94	GCVF-100	50	.250	685	5	EC

Altitude (ft): 538 Temperature (F): 70

##### Motor Information

Volts/Ph/Hz	Nameplate Amps
115/1/60	.26



Motor is electronically/thermally protected.

##### Sound Data Inlet Sound Power by Octave Band

1	2	3	4	5	6	7	8	LwA	dBA	Sones
39	41	44	46	38	31	24	15	45	33	.8

- Distance from Sound source 5 ft

##### Accessories:

- WHITE PLASTIC GRILLE
- 6X4 GALV DUCT ADAPTR
- INTEGRAL BD DAMPER
- CEILING RAD. DAMPER

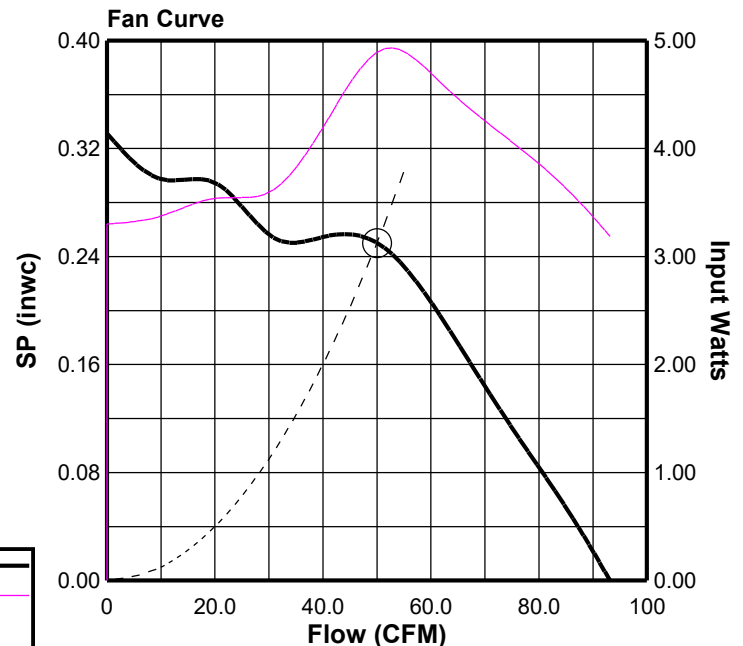
##### Dimensions (inches)

A Plastic	13-1/4	H	8-3/8
B Plastic	15-1/2	J O.D.	5-15/16
A Steel	13-1/2	K	12-3/4
B Steel	15-1/2	L	6-11/16
A Aluminum	13-3/4	M	3-1/4
B Aluminum	15-1/2	N	14
D	4	P	15-1/2
E	4	Q	1/2
F	12		
G	5/8		

NOTE: Accessories may affect dimensions shown.

Weight(lbs)***	Shipping	28	Unit	25
----------------	----------	----	------	----

\*\*\*Includes fan, motor & accessories.



##### Fan Curve Legend

CFM vs SP	—
CFM vs Watts	- - -
Point of Operation	○
System Curve	- - - - -



# COOK



<b>MARK: EF-A W- CRD</b>
<b>PROJECT: EVERHOME SUITE</b>
<b>DATE: 2/20/2024</b>

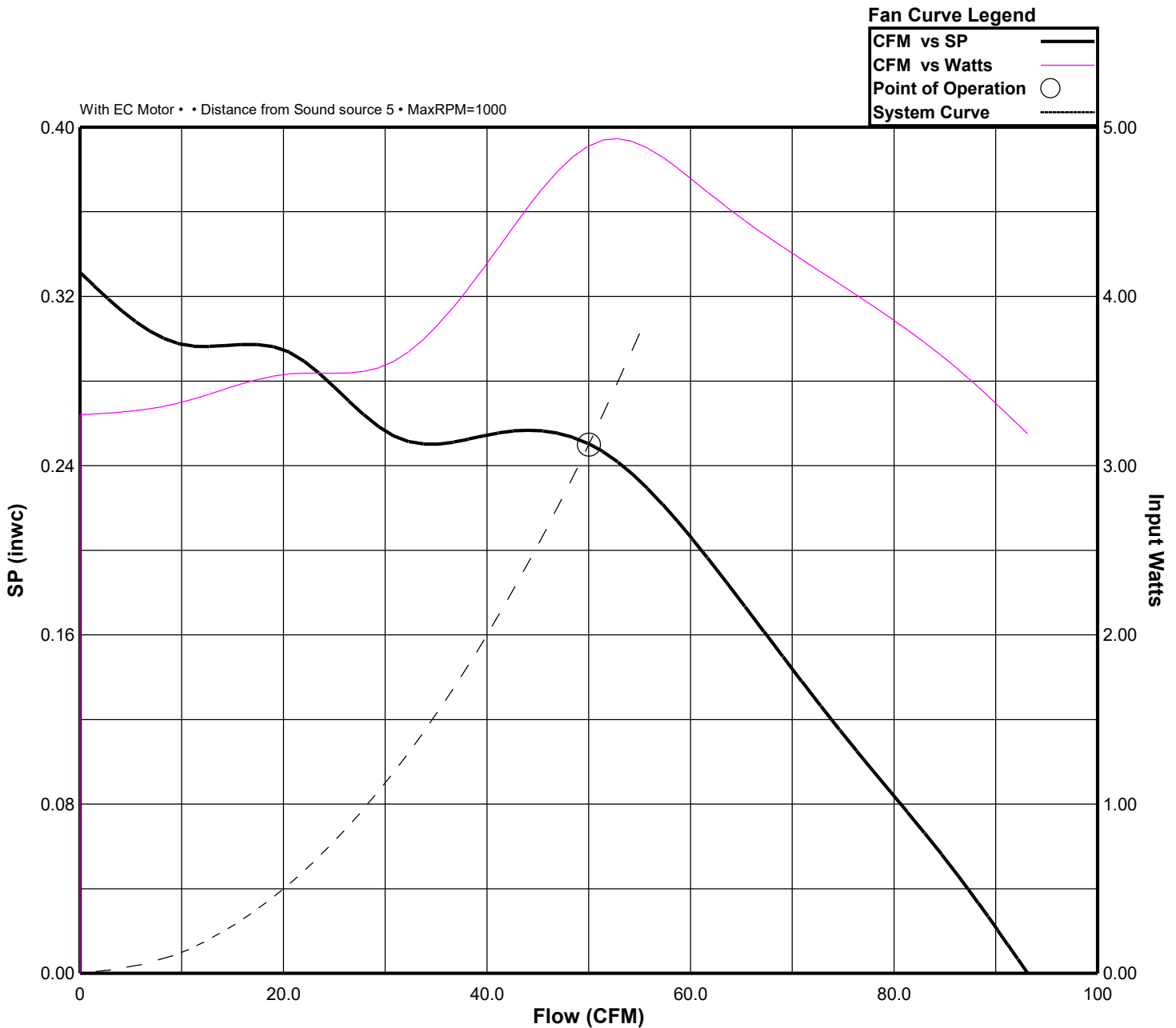
## GEMINI Vari-Flow®

### Performance

Catalog Number	Flow (CFM)	SP (inwc)	Nominal RPM	Input Watts	OVEL (fpm)	TSPD (fpm)	SE	Temp (°F)	ALT (ft)
GCVF-100	50	.250	685	5	255	1368	38%	70	538

### Sound Data Inlet Sound Power by Octave Band

1	2	3	4	5	6	7	8	LwA	dBA	Sones
39	41	44	46	38	31	24	15	45	33	.8





# COOK

MARK: EF-A W- CRD
PROJECT: EVERHOME SUITE
DATE: 2/20/2024

## GEMINI Vari-Flow<sup>®</sup>

### AMCA License Information



Loren Cook Company certifies that the GCVF-100 shown herein is licensed to bear the AMCA Seal. The ratings shown are based on tests and procedures performed in accordance with AMCA Publication 211 and AMCA Publication 311 and comply with the requirements of the AMCA Certified Ratings Program.

Performance certified is for installation type B: free inlet, ducted outlet. Speed (RPM/RPS) shown is nominal. Performance is based on actual speed of test. Performance ratings include the effects of inlet grill. The sound ratings shown are loudness values in spherical sones at 5 ft. in a spherical free field calculated per AMCA Standard 301. Values shown are for Installation type B: free inlet spherical sone levels.

The sound power level ratings shown are in decibels, referred to 10(-12) watts calculated per AMCA Standard 301. Values shown are for inlet Lwi and LwiA sound power levels for installation type B: free inlet, ducted outlet. Ratings do not include the effects of duct end correction. The A-weighted sound ratings shown have been calculated per AMCA Standard 301. The dBA levels shown have been calculated for a distance of 5 ft in a hemispherical free field. The AMCA Certified Ratings Seal applies to sone ratings only. Octave Band, LwA and dBA levels are not AMCA International licensed.



# COOK



MARK: EF-B W- CRD

PROJECT: EVERHOME SUITE

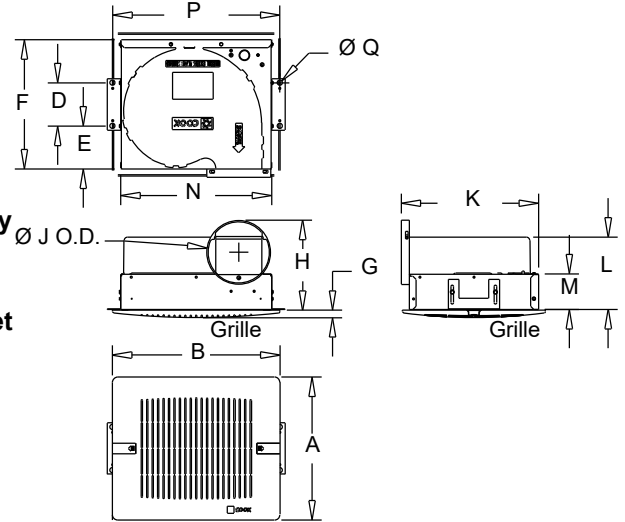
DATE: 2/20/2024

## GEMINI Vari-Flow®

### Ceiling Fans 100 Series

#### STANDARD CONSTRUCTION FEATURES:

Forward curved injection molded polypropylene fan wheel - Injection molded flame resistant fan housing with round outlet duct - 22 ga. galvanized steel inlet box - Isolation mounted motor, mounted to one piece galvanized stamped steel integral motor mount/inlet - Permanently lubricated electronically commutated variable speed motor with built-in electronic overload protection and disconnect plug - Field wiring compartment with receptacle - Adjustable prepunched mounting bracket - White, high impact styrene injection molded grille - Shipped in ISTA certified transit tested packaging



#### Performance

Qty	Catalog Number	Flow (CFM)	SP (inwc)	Nominal RPM	Input Watts	Speed Control
4	GCVF-100	50	.250	685	5	EC

Altitude (ft): 538 Temperature (F): 70

#### Motor Information

Volts/Ph/Hz	Nameplate Amps
115/1/60	.26



Motor is electronically/thermally protected.

#### Sound Data Inlet Sound Power by Octave Band

1	2	3	4	5	6	7	8	LwA	dBA	Sones
39	41	44	46	38	31	24	15	45	33	.8

- Distance from Sound source 5 ft

#### Accessories:

WHITE PLASTIC GRILLE  
INTEGRAL BD DAMPER  
6X4 GALV DUCT ADAPTR  
CEILING RAD. DAMPER

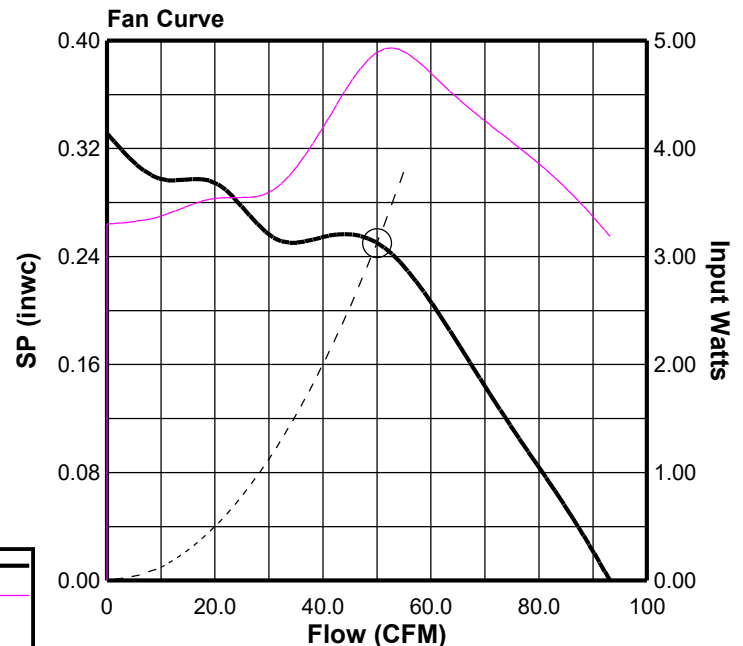
#### Dimensions (inches)

A Plastic	13-1/4	H	8-3/8
B Plastic	15-1/2	J O.D.	5-15/16
A Steel	13-1/2	K	12-3/4
B Steel	15-1/2	L	6-11/16
A Aluminum	13-3/4	M	3-1/4
B Aluminum	15-1/2	N	14
D	4	P	15-1/2
E	4	Q	1/2
F	12		
G	5/8		

NOTE: Accessories may affect dimensions shown.

Weight(lbs)***	Shipping	28	Unit	25
----------------	----------	----	------	----

\*\*\*Includes fan, motor & accessories.





# COOK



<b>MARK: EF-B W- CRD</b>
<b>PROJECT: EVERHOME SUITE</b>
<b>DATE: 2/20/2024</b>

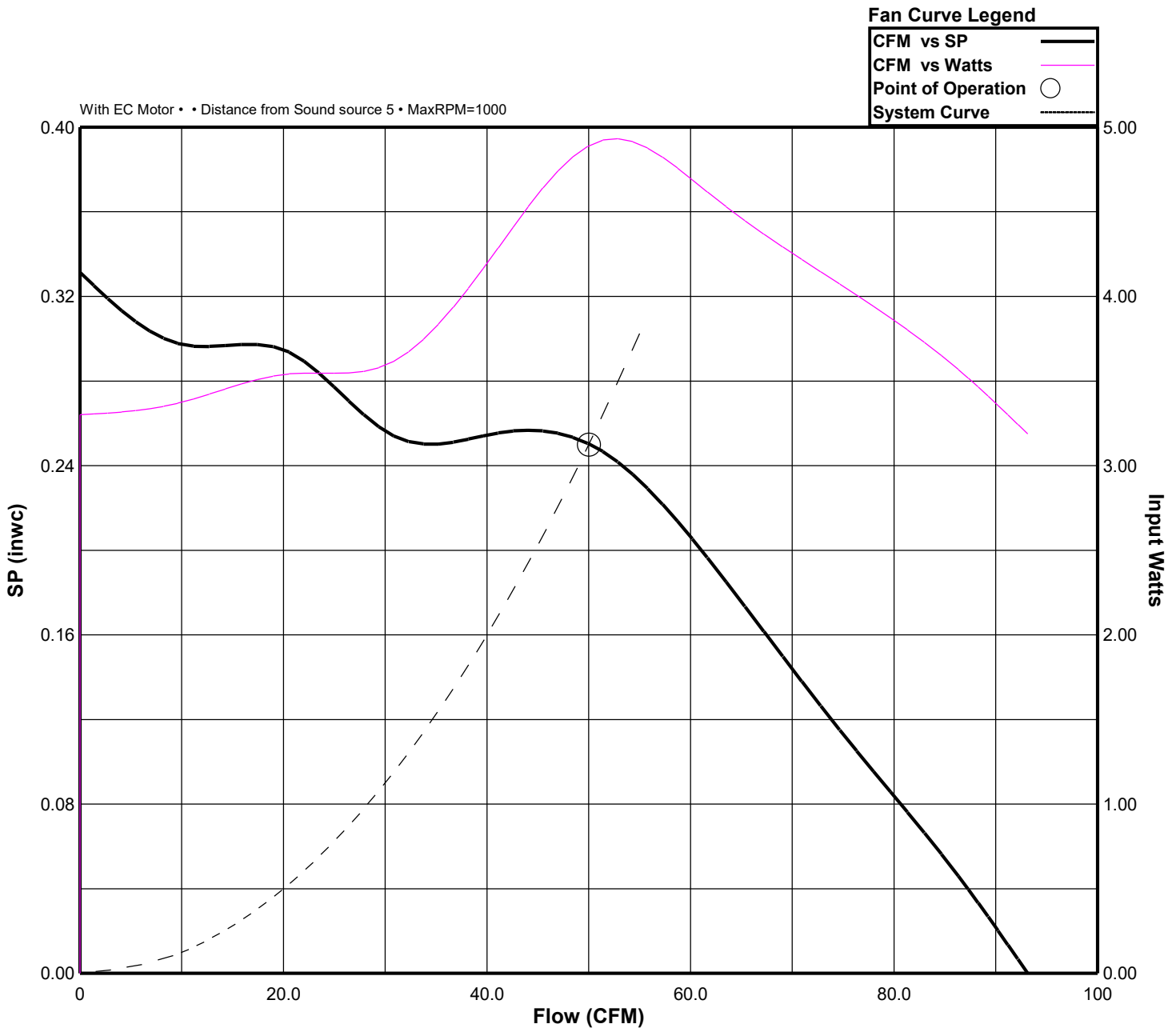
## GEMINI Vari-Flow®

### Performance

Catalog Number	Flow (CFM)	SP (inwc)	Nominal RPM	Input Watts	OVEL (fpm)	TSPD (fpm)	SE	Temp (°F)	ALT (ft)
GCVF-100	50	.250	685	5	255	1368	38%	70	538

### Sound Data Inlet Sound Power by Octave Band

1	2	3	4	5	6	7	8	LwA	dBA	Sones
39	41	44	46	38	31	24	15	45	33	.8





# COOK

MARK: EF-B W- CRD
PROJECT: EVERHOME SUITE
DATE: 2/20/2024

## GEMINI Vari-Flow<sup>®</sup>

### AMCA License Information



Loren Cook Company certifies that the GCVF-100 shown herein is licensed to bear the AMCA Seal. The ratings shown are based on tests and procedures performed in accordance with AMCA Publication 211 and AMCA Publication 311 and comply with the requirements of the AMCA Certified Ratings Program.

Performance certified is for installation type B: free inlet, ducted outlet. Speed (RPM/RPS) shown is nominal. Performance is based on actual speed of test. Performance ratings include the effects of inlet grill. The sound ratings shown are loudness values in spherical sones at 5 ft. in a spherical free field calculated per AMCA Standard 301. Values shown are for Installation type B: free inlet spherical sone levels.

The sound power level ratings shown are in decibels, referred to 10(-12) watts calculated per AMCA Standard 301. Values shown are for inlet Lwi and LwiA sound power levels for installation type B: free inlet, ducted outlet. Ratings do not include the effects of duct end correction. The A-weighted sound ratings shown have been calculated per AMCA Standard 301. The dBA levels shown have been calculated for a distance of 5 ft in a hemispherical free field. The AMCA Certified Ratings Seal applies to sone ratings only. Octave Band, LwA and dBA levels are not AMCA International licensed.



# COOK



MARK: EF-1,2,3

PROJECT: EVERHOME SUITE

DATE: 2/20/2024

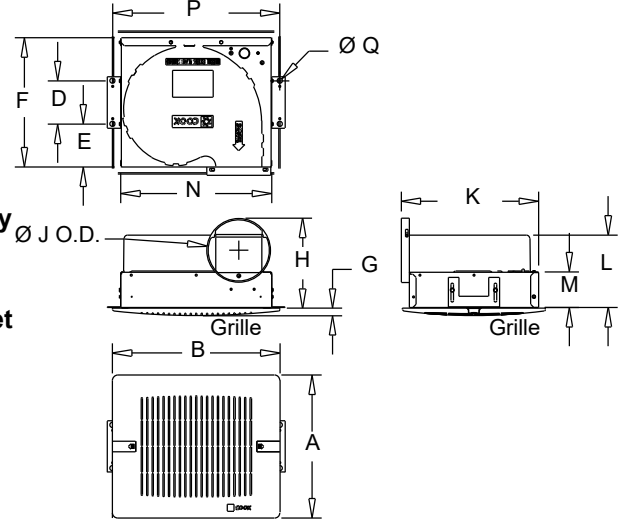
## GEMINI Vari-Flow®

### Ceiling Fans 100 Series

EF-A PAGE 1  
EF-B PAGE 7  
EF-1,2,3 PAGE 10

#### STANDARD CONSTRUCTION FEATURES:

Forward curved injection molded polypropylene fan wheel - Injection molded flame resistant fan housing with round outlet duct - 22 ga. galvanized steel inlet box - Isolation mounted motor, mounted to one piece galvanized stamped steel integral motor mount/inlet - Permanently lubricated electronically commutated variable speed motor with built-in electronic overload protection and disconnect plug - Field wiring compartment with receptacle - Adjustable prepunched mounting bracket - White, high impact styrene injection molded grille - Shipped in ISTA certified transit tested packaging



#### Performance

Qty	Catalog Number	Flow (CFM)	SP (inwc)	Nominal RPM	Input Watts	Speed Control
3	GCVF-100	70	.400	890	11	EC

Altitude (ft): 538 Temperature (F): 70

#### Motor Information

Volts/Ph/Hz	Nameplate Amps
115/1/60	.26



Motor is electronically/thermally protected.

#### Sound Data Inlet Sound Power by Octave Band

1	2	3	4	5	6	7	8	LwA	dBA	Sones
46	48	50	52	46	39	33	24	52	40	1.5

- Distance from Sound source 5 ft

#### Accessories:

- WHITE PLASTIC GRILLE
- INTEGRAL BD DAMPER
- 6X4 GALV DUCT ADAPTR

#### Dimensions (inches)

A Plastic	13-1/4	H	8-3/8
B Plastic	15-1/2	J O.D.	5-15/16
A Steel	13-1/2	K	12-3/4
B Steel	15-1/2	L	6-11/16
A Aluminum	13-3/4	M	3-1/4
B Aluminum	15-1/2	N	14
D	4	P	15-1/2
E	4	Q	1/2
F	12		
G	5/8		

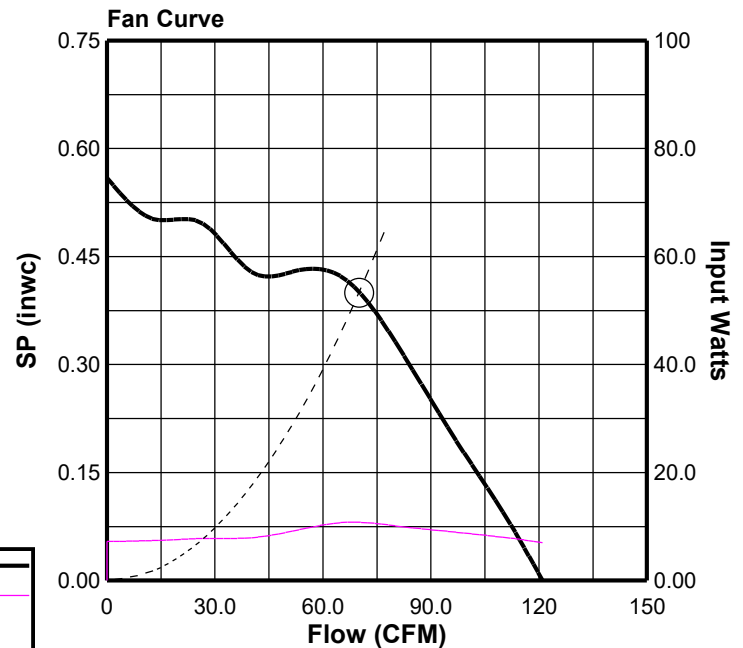
NOTE: Accessories may affect dimensions shown.

Weight(lbs)***	Shipping	21	Unit	18
----------------	----------	----	------	----

\*\*\*Includes fan, motor & accessories.

#### Fan Curve Legend

CFM vs SP	—
CFM vs Watts	—
Point of Operation	○
System Curve	---





# COOK



MARK: EF-1,2,3
PROJECT: EVERHOME SUITE
DATE: 2/20/2024

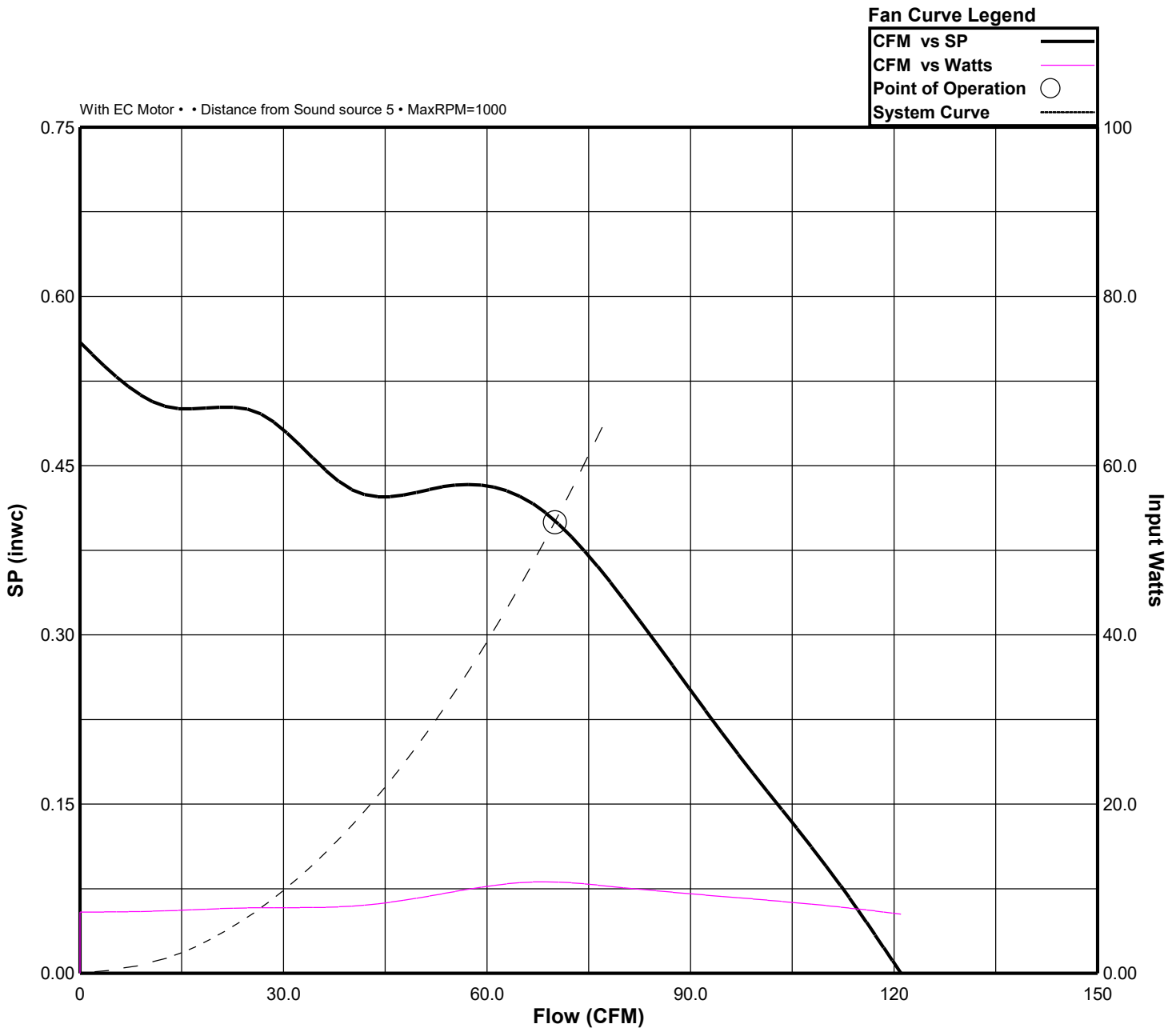
## GEMINI Vari-Flow®

### Performance

Catalog Number	Flow (CFM)	SP (inwc)	Nominal RPM	Input Watts	OVEL (fpm)	TSPD (fpm)	SE	Temp (°F)	ALT (ft)
GCVF-100	70	.400	890	11	357	1777	39%	70	538

### Sound Data Inlet Sound Power by Octave Band

1	2	3	4	5	6	7	8	LwA	dBA	Sones
46	48	50	52	46	39	33	24	52	40	1.5





# COOK

MARK: EF-1,2,3
PROJECT: EVERHOME SUITE
DATE: 2/20/2024

## GEMINI Vari-Flow<sup>®</sup>

### AMCA License Information



Loren Cook Company certifies that the GCVF-100 shown herein is licensed to bear the AMCA Seal. The ratings shown are based on tests and procedures performed in accordance with AMCA Publication 211 and AMCA Publication 311 and comply with the requirements of the AMCA Certified Ratings Program.

Performance certified is for installation type B: free inlet, ducted outlet. Speed (RPM/RPS) shown is nominal. Performance is based on actual speed of test. Performance ratings include the effects of inlet grill. The sound ratings shown are loudness values in spherical sones at 5 ft. in a spherical free field calculated per AMCA Standard 301. Values shown are for Installation type B: free inlet spherical sone levels.

The sound power level ratings shown are in decibels, referred to 10(-12) watts calculated per AMCA Standard 301. Values shown are for inlet Lwi and LwiA sound power levels for installation type B: free inlet, ducted outlet. Ratings do not include the effects of duct end correction. The A-weighted sound ratings shown have been calculated per AMCA Standard 301. The dBA levels shown have been calculated for a distance of 5 ft in a hemispherical free field. The AMCA Certified Ratings Seal applies to sone ratings only. Octave Band, LwA and dBA levels are not AMCA International licensed.



# COOK

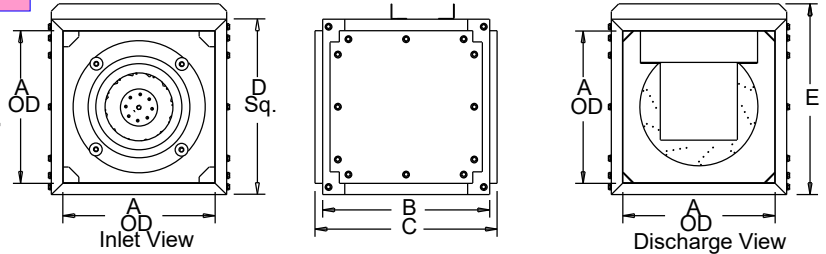


<b>MARK: EF-4</b>
<b>PROJECT: EVERHOME SUITE</b>
<b>DATE: 2/20/2024</b>

## SQN-D VF

**Centrifugal Square Inline  
Direct Drive  
Preprogrammed EC  
Electronically Commutated Vari-Flow® Motor**

**STANDARD CONSTRUCTION FEATURES:**  
 All aluminum wheel - Galvanized 18 gauge steel housing - Three removable access doors - Closed cell neoprene gasketing - Inlet and discharge duct collars - Universal mounting feet - Preprogrammed EC electronically commutated Vari-Flow® motor/drive package - Transit tested packaging.



### Performance

Qty	Catalog Number	Flow (CFM)	SP (inwc)	Fan RPM	Power (HP)	FEG	Speed Control
1	90SQN17DH (VF)	210	.250	1110	.023	n/a(<1HP)	EC

Altitude (ft): 538 Temperature (F): 70

### Motor Information

HP	RPM*	Volts/Ph/Hz	Enclosure	RLA
1/8	1725	115/1/60	OPEN -EC	1.9



\*Motor programmed to max speed of 1725 RPM.  
 RLA based on motor manufacturer's data at programmed HP and max RPM.  
 Motor is electronically/thermally protected.

### Dimensions (inches)

<b>A</b>	12
<b>B</b>	15
<b>C</b>	17
<b>D Sq</b>	14
<b>E</b>	15-9/16
<b>Housing Gauge</b>	18

NOTE: Accessories may affect dimensions shown.

<b>Weight(lbs)***</b>	<b>Shipping</b>	65	<b>Unit</b>	31
-----------------------	-----------------	----	-------------	----

\*\*\*Includes fan, motor & accessories.

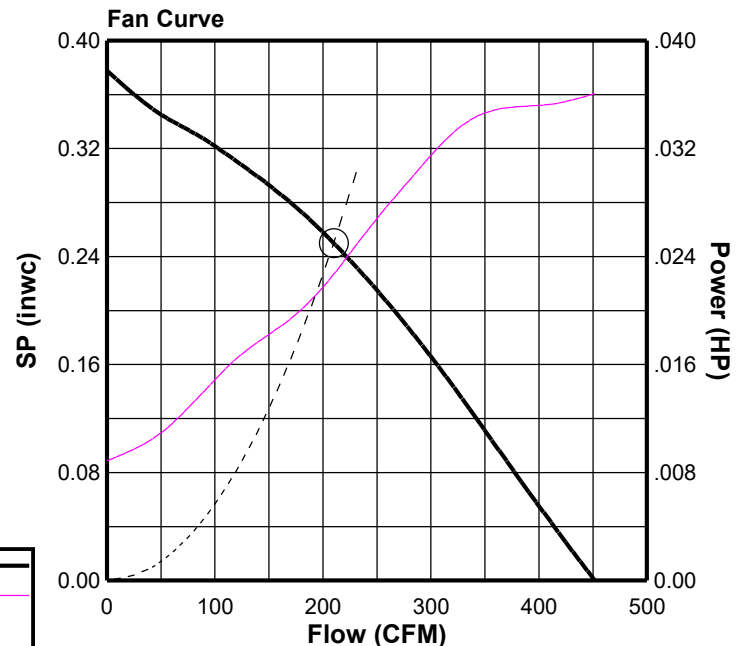
### Sound Data Sound Power by Octave Band

	1	2	3	4	5	6	7	8	LwA	dBA	Sones
Inlet	53	59	59	52	48	42	35	29	55	43	3.1
Outlet	71	66	61	53	49	45	36	30	57	46	4.1

- Distance from Sound source 5 ft

### Accessories:

- FAN MOUNTED SPEED CONTROL
- DISCONNECT NEMA 1 PRE-WIRED
- BD-12 DAMPER
- RC-75 SET(4) - ISOLATORS
- ALL ALUMINUM CONSTRUCTION



### Fan Curve Legend

CFM vs SP	—
CFM vs HP	—
Point of Operation	○
System Curve	- - -



# COOK



<b>MARK: EF-4</b>
<b>PROJECT: EVERHOME SUITE</b>
<b>DATE: 2/20/2024</b>

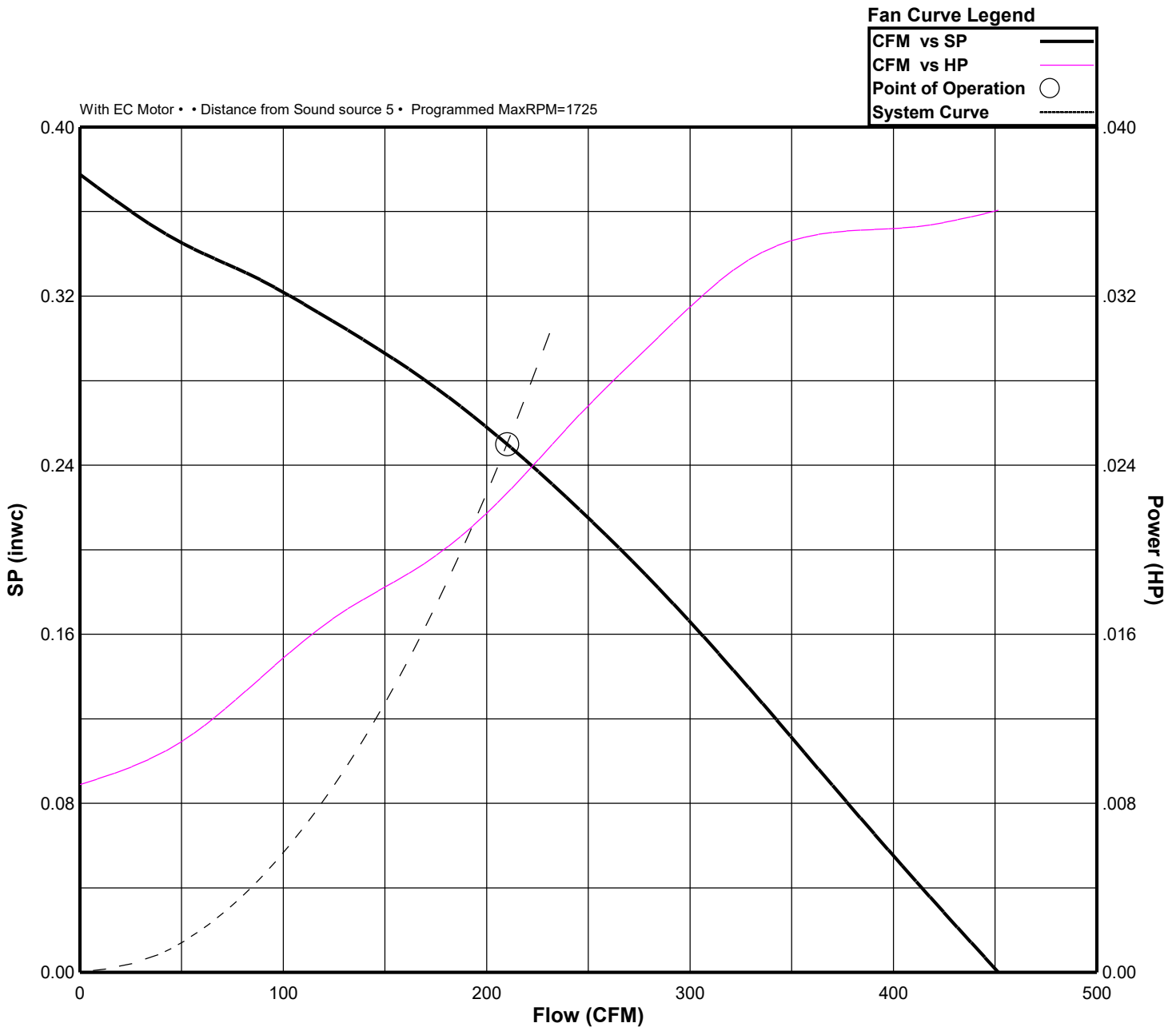
## SQN-D VF

### Performance

Catalog Number	Flow (CFM)	SP (inwc)	Fan RPM	Power (HP)	FEG	OVEL (fpm)	TSPD (fpm)	SE	Temp (°F)	ALT (ft)
90SQN17DH (VF)	210	.250	1110	.023	n/a(<1HP)	210	2615	36%	70	538

### Sound Data Sound Power by Octave Band

	1	2	3	4	5	6	7	8	LwA	dBA	Sones
Inlet	53	59	59	52	48	42	35	29	55	43	3.1
Outlet	71	66	61	53	49	45	36	30	57	46	4.1





# COOK

## SQN-D VF

MARK: EF-4

PROJECT: EVERHOME SUITE

DATE: 2/20/2024

### AMCA License Information



Loren Cook Company certifies that the 90SQN17DH shown herein is licensed to bear the AMCA Seal. The ratings shown are based on tests and procedures performed in accordance with AMCA Publication 211 and AMCA Publication 311 and comply with the requirements of the AMCA Certified Ratings Program.

Performance certified is for installation type B: free inlet, ducted outlet. Power rating (BHP/kW) does not include transmission losses. Performance ratings do not include the effects of appurtenances (accessories). The sound power level ratings shown are in decibels, referred to 10(-12) watts calculated per AMCA Standard 301. Values shown are for inlet Lwi, LwiA and outlet Lwo, LwoA sound power levels for installation type B: free inlet, ducted outlet. Outlet ratings include the effects of duct end correction. The A-weighted sound ratings shown have been calculated per AMCA Standard 301.

The sound ratings shown are loudness values in hemispherical sones at 5 ft. in a hemispherical free field calculated per AMCA Standard 301. Values shown are for Installation type B: free inlet, ducted outlet hemispherical sone levels. Outlet ratings do not include the effect of duct end correction. The dBA levels shown have been calculated for a distance of 5 ft in a hemispherical free field. The AMCA Certified Ratings Seal applies to Octave Bands and LwA only. Sone ratings and dBA levels are not AMCA International licensed.



# COOK

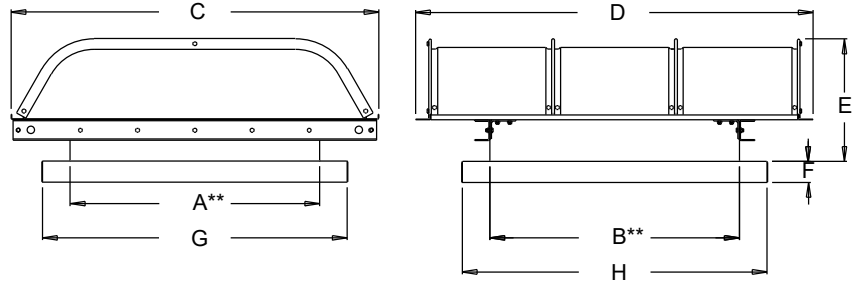
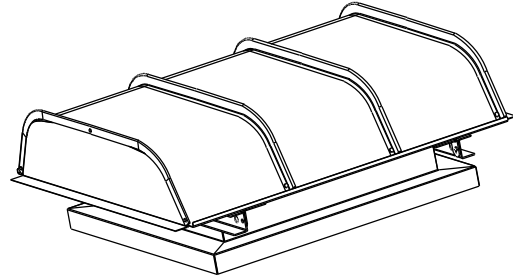
<b>MARK: EH-A</b>
<b>PROJECT: EVERHOME SUITE</b>
<b>DATE: 2/20/2024</b>

## GR

### Gravity Relief Ventilator

#### STANDARD CONSTRUCTION FEATURES:

- Heavy gauge aluminum construction - Birdscreen
- Radius throat - Rain gutter - Welded curb cap corners
- Integral lifting lugs/tie down points
- Hinged hood standard on throat lengths less than 73" - Five year warranty.



#### Performance

Qty	Catalog Number	Flow (CFM)	SP (inwc)	Face Velocity (fpm)	Throat Velocity (fpm)	Installation
31	12X50GR	2433	.011	300	584	Ducted

Altitude (ft): 538 Temperature (F): 70

#### Accessories:

ROOF CURB RCG 16X 54-18H SLP .25/12 (L)

#### Dimensions (inches)

A	12
B	50
C	31
D	75
E	12
F	2
G	17.5
H	55.5
J	6

\*\* Actual throat length and width are 1/4" greater than nominal values.

NOTE: Accessories may affect dimensions shown.

<b>Weight(lbs)***</b>	<b>Shipping</b>	240	<b>Unit</b>	123
-----------------------	-----------------	-----	-------------	-----

\*\*\*Includes accessories.



# COOK

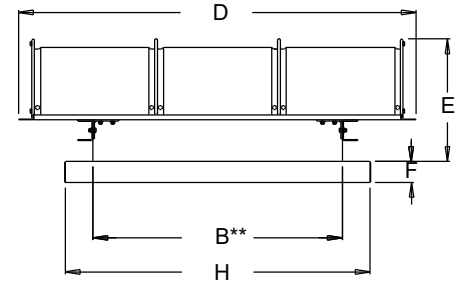
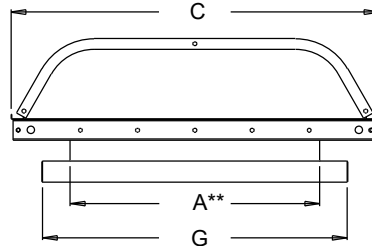
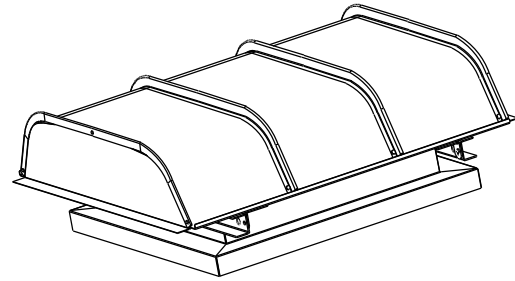
MARK: EH-A SLOPE SHORT SID
PROJECT: EVERHOME SUITE
DATE: 2/20/2024

## GR

### Gravity Relief Ventilator

#### STANDARD CONSTRUCTION FEATURES:

- Heavy gauge aluminum construction - Birdscreen
- Radius throat - Rain gutter - Welded curb cap corners
- Integral lifting lugs/tie down points
- Hinged hood standard on throat lengths less than 73" - Five year warranty.



#### Performance

Qty	Catalog Number	Flow (CFM)	SP (inwc)	Face Velocity (fpm)	Throat Velocity (fpm)	Installation
1	12X50GR	2433	.011	300	584	Ducted

Altitude (ft): 538 Temperature (F): 70

#### Accessories:

ROOF CURB RCG 16X 54-18H SLP .25/12 (S)

#### Dimensions (inches)

A	12
B	50
C	31
D	75
E	12
F	2
G	17.5
H	55.5
J	6

\*\* Actual throat length and width are 1/4" greater than nominal values.

NOTE: Accessories may affect dimensions shown.

<b>Weight(lbs)***</b>	<b>Shipping</b>	240	<b>Unit</b>	123
-----------------------	-----------------	-----	-------------	-----

\*\*\*Includes accessories.



# COOK

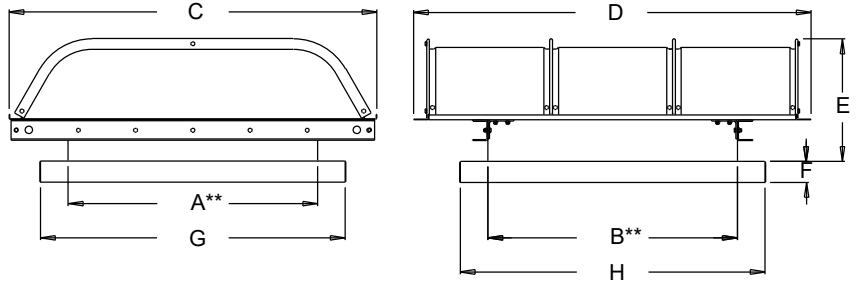
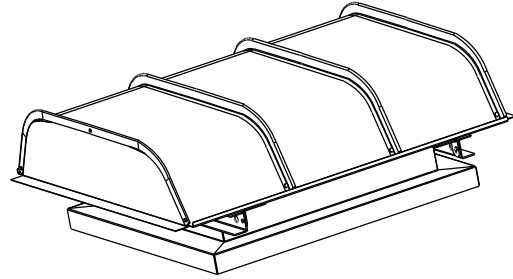
<b>MARK: EH-B</b>
<b>PROJECT: EVERHOME SUITE</b>
<b>DATE: 2/20/2024</b>

## GR

### Gravity Relief Ventilator

#### STANDARD CONSTRUCTION FEATURES:

- Heavy gauge aluminum construction - Birdscreen
- Radius throat - Rain gutter - Welded curb cap corners
- Integral lifting lugs/tie down points
- Hinged hood standard on throat lengths less than 73" - Five year warranty.



#### Performance

Qty	Catalog Number	Flow (CFM)	SP (inwc)	Face Velocity (fpm)	Throat Velocity (fpm)	Installation
1	12X18GR	1400	.011	300	933	Ducted

Altitude (ft): 538 Temperature (F): 70

#### Accessories:

ROOF CURB RCG 16X 22-18H SLP .25/12 (L)

#### Dimensions (inches)

A	12
B	18
C	31
D	39
E	12
F	2
G	17.5
H	23.5
J	6

\*\* Actual throat length and width are 1/4" greater than nominal values.

NOTE: Accessories may affect dimensions shown.

<b>Weight(lbs)***</b>	<b>Shipping</b>	<b>70</b>	<b>Unit</b>	<b>57</b>
-----------------------	-----------------	-----------	-------------	-----------

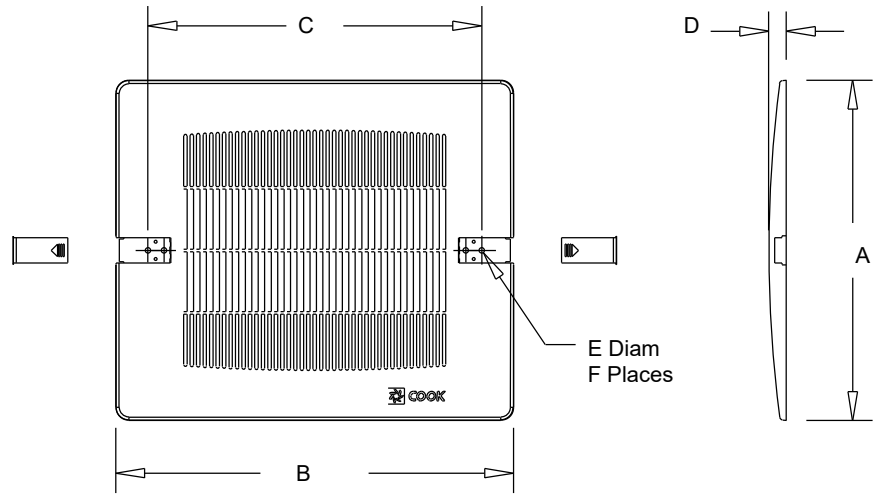
\*\*\*Includes accessories.



# COOK

PROJECT: EVERHOME SUITE
DATE: 2/20/2024

## GEMINI PLASTIC GRILLE



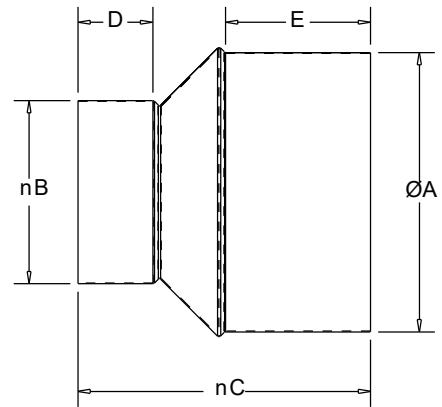
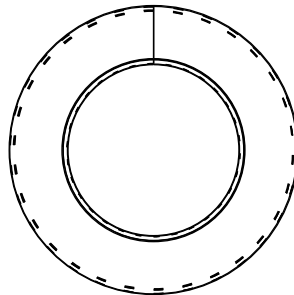
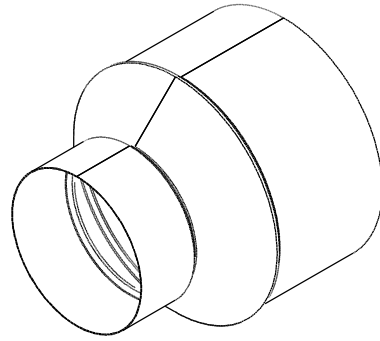
### Dimensions (inches)

Mark	Qty	Description	A	B	C	D	E Diam	F Places
EF-A NO CRD	21	WHITE PLASTIC GRILLE	13-1/4	15-1/2	13	1/4	1/4	4
EF-A W- CRD	94	WHITE PLASTIC GRILLE	13-1/4	15-1/2	13	1/4	1/4	4
EF-B W- CRD	4	WHITE PLASTIC GRILLE	13-1/4	15-1/2	13	1/4	1/4	4
EF-1,2,3	3	WHITE PLASTIC GRILLE	13-1/4	15-1/2	13	1/4	1/4	4



## GEMINI

### Galvanized Duct Adapter



#### Dimensions (inches)

Mark	Qty	Description	Size	A	B	C	D	E
EF-A NO CRD	21	6X4 GALV DUCT ADAPTR	6x4	6	4	6-1/4	1-5/8	3-1/8
EF-A W- CRD	94	6X4 GALV DUCT ADAPTR	6x4	6	4	6-1/4	1-5/8	3-1/8
EF-B W- CRD	4	6X4 GALV DUCT ADAPTR	6x4	6	4	6-1/4	1-5/8	3-1/8
EF-1,2,3	3	6X4 GALV DUCT ADAPTR	6x4	6	4	6-1/4	1-5/8	3-1/8



## GEMINI

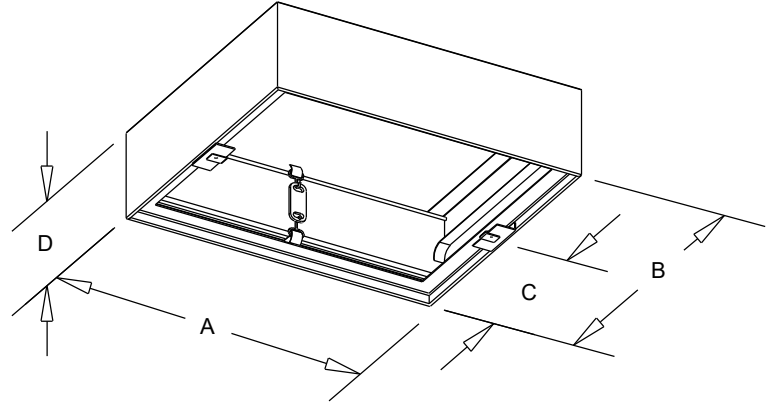
### Ceiling Radiation Damper

#### STANDARD CONSTRUCTION FEATURES:

Loren Cook Company's curtain style ceiling radiation dampers are classified by UL to function as heat barriers in air handling penetrations through fire resistive membrane ceiling assemblies.

Meets the following requirements:

UL 555C CLASSIFIED CEILING DAMPER (File # R9660), NFPA 90A, BOCA, SBCCA, UBC, The City of New York MEA, No. 366-03-M and California State Fire Marshall: Fire Damper Listing No. 3225-0935:0102.



#### Dimensions (inches)

Mark	Qty	Description	A	B	C	D
EF-A W- CRD	94	CEILING RAD. DAMPER	14-1/4	12-1/4	6-3/16	4-3/16
EF-B W- CRD	4	CEILING RAD. DAMPER	14-1/4	12-1/4	6-3/16	4-3/16

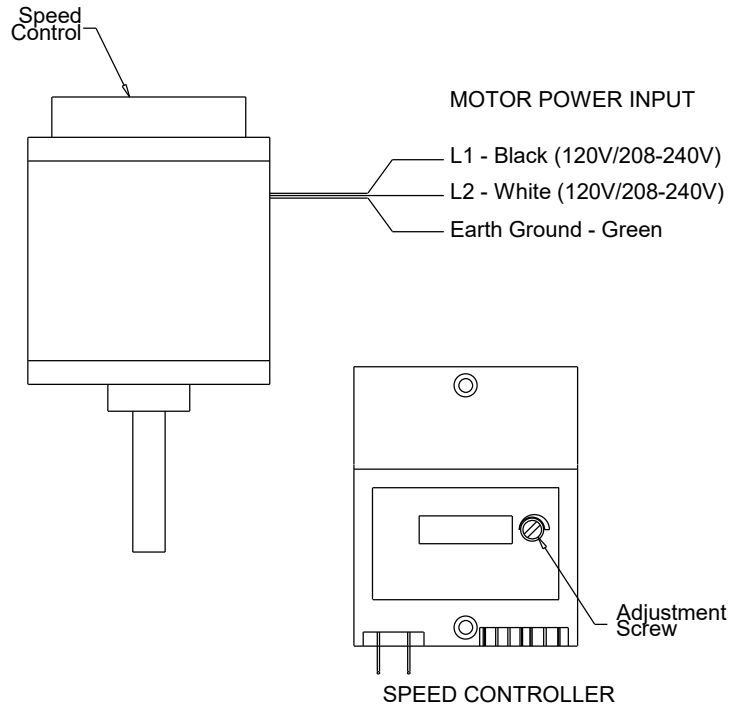


# COOK

## Speed Control

**Internal Speed Control  
Electronically Commutated (EC) Motor  
Type N**

**STANDARD CONSTRUCTION FEATURES:**  
Some motors come with a factory programmed maximum RPM for specific applicaitons - Integral potentiometer with slotted screw for speed adjustment.



### Dimensions (inches)

Mark	Qty	Description
EF-4	1	OPEN -1/8HP - 115V/1 PH/ 60 1725/0000 -EC



## BD

### Gravity Backdraft Damper

#### STANDARD CONSTRUCTION FEATURES:

.020 Aluminum blades - .060 aluminum frame -  
Aluminum hinge pins - Nylon bushings.

#### Notes:

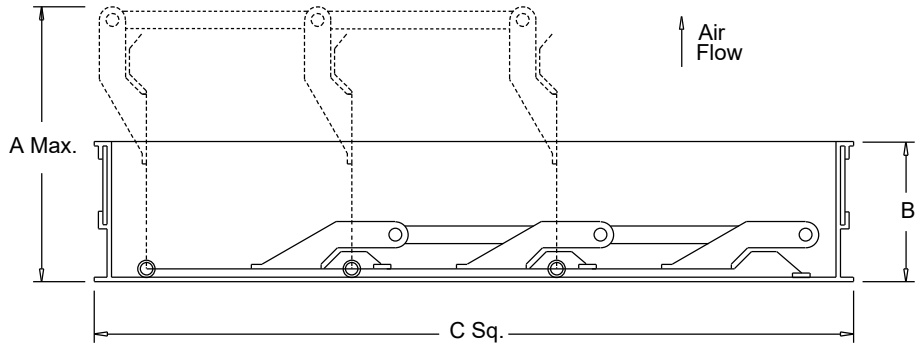
Max. operating temperature 200 Deg F (95 Deg C).

Max. discharge velocity 2000 fpm.

Sizes 36 thru 60 are shipped as 2 panels.

Sizes 66 and 78 are shipped as 6 panels.

These may require assembly.



#### Dimensions (inches)

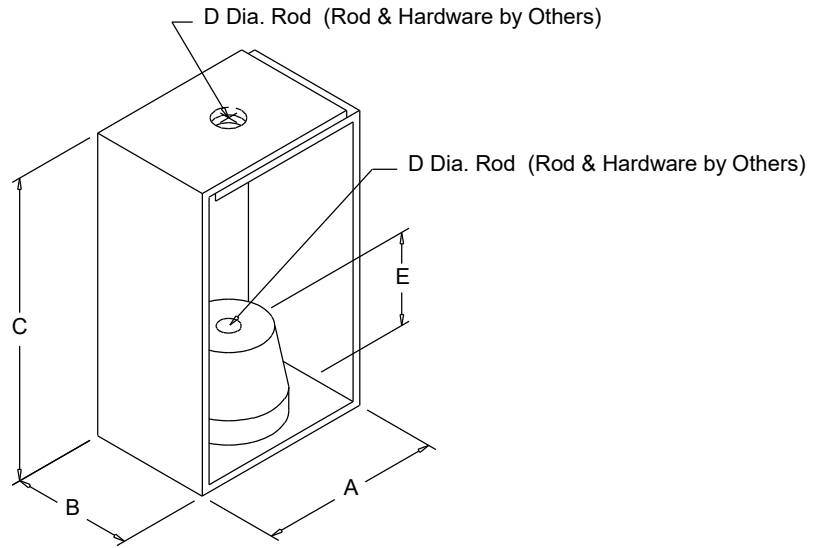
Mark	Qty	Description	A Max.	B	C Sq.	# Panels
EF-4	1	BD-12 DAMPER	5-3/16	1-7/8	11-3/4	1



## RIS CEILING

Rubber-In-Shear  
Isolator  
Ceiling Mounted

**NOTE:**  
Dimensions are for informational  
purposes only - Not for construction.



### Dimensions (inches)

Mark	Qty	Description	A	B	C	D	E
EF-4	1	RC-75 SET(4)	2.15	1.50	2.72	0.38	0.45



## RCG SLOPED

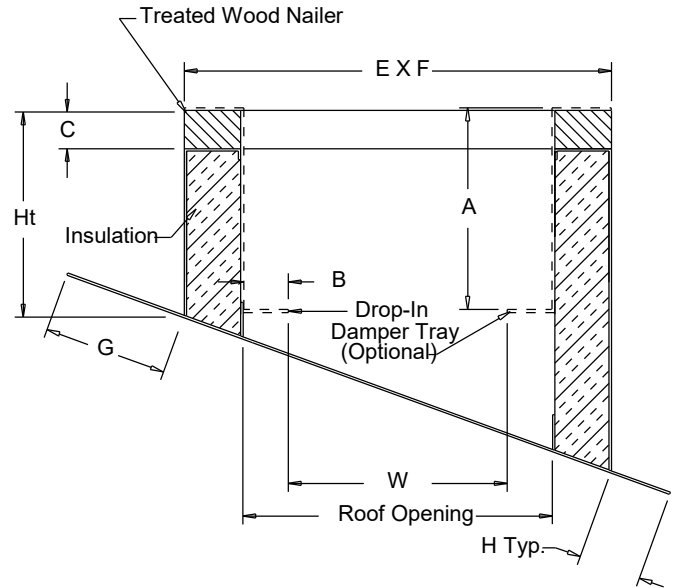
### Galvanized Steel Roof Curb

#### STANDARD CONSTRUCTION FEATURES:

18 gauge galvanized steel - 1-1/2", 3 lbs.  
density thermal and acoustical insulation -  
Continuously welded corners -  
CCA pressure treated wood nailer.

#### Options:(As noted below\*)

- 1) No wood nailer (deduct 1-1/2" for actual height)
- 2) Drop-in damper tray.
- 3) Liner.
- 4) Gasket on wood nailer.
- 5) Lorenized coating.
- 6) Enamel coating.
- 7) Burglar bars.



#### Dimensions (inches)

Mark	Qty	Description	Ht	Options* Rise/Run	A	B	C	E	F	G	H	Roof Opening
EH-A	31	RCG 16X 54	18	.25/12 (L)	18	1.875	1.5	16	54	6	2	13 X 51
EH-A SLOPE SHORT SID	1	RCG 16X 54	18	.25/12 (S)	18	1.875	1.5	16	54	6	2	13 X 51
EH-B	1	RCG 16X 22	18	.25/12 (L)	18	1.875	1.5	16	22	6	2	13 X 19



# COOK

MARK: EH-B
PROJECT: EVERHOME SUITE
DATE: 2/20/2024

## Limited Warranty

Loren Cook Company warrants that your Loren Cook fan was manufactured free of defects in materials and workmanship, to the extent stated herein. For a period of one (1) year after date of shipment, we will replace any parts found to be defective without charge, except for shipping costs which will be paid by you.

This warranty is granted only to the original purchaser placing the fan in service.

This warranty is void if the fan or any part thereof has been altered or modified from its original design or has been abused, misused, damaged or is in worn condition or if the fan has been used other than for the uses described in the company manual. This warranty does not cover defects resulting from normal wear and tear.

To make a warranty claim, notify Loren Cook Company, General Offices, 2015 East Dale Street, Springfield, Missouri 65803-4637, explaining in writing, in detail, your complaint and referring to the specific model and serial numbers of your fan. Upon receipt by Loren Cook Company of your written complaint, you will be notified, within thirty (30) days of our receipt of your complaint, in writing, as to the manner in which your claim will be handled. If you are entitled to warranty relief, a warranty adjustment will be completed within sixty (60) business days of the receipt of your written complaint by Loren Cook Company.

This warranty gives only the original purchaser placing the fan in service specifically the right. You may have other legal rights which vary from state to state.

For fans provided with motors, the motor manufacturer warrants motors for a designated period stated in the manufacturer's warranty. Warranty periods vary from manufacturer to manufacturer. Should motors furnished by Loren Cook Company prove defective during the designated period, they should be returned to the nearest authorized motor service station. Loren Cook Company will not be responsible for any removal or installation costs.



# COOK

MARK: EH-B
PROJECT: EVERHOME SUITE
DATE: 2/20/2024

## Ventilator Limited Warranty

Loren Cook Company warrants that your Loren Cook ventilator was manufactured free of defects in materials and workmanship, to the extent stated herein. For a period of five (5) years (1 year for LSUG) after date of shipment, we will replace any parts found to be defective without charge, except for shipping costs which will be paid by you.

This warranty is granted only to the original purchaser placing the unit in service.

This warranty is void if the unit or any part thereof has been altered or modified from its original design or has been abused, misused, damaged or is in worn condition or if the unit has been used other than for the uses described in the company manual. This warranty does not cover defects resulting from normal wear and tear.

To make a warranty claim, notify Loren Cook Company, General Offices, 2015 East Dale Street, Springfield, Missouri 65803-4637, explaining in writing, in detail, your complaint and referring to the specific model and serial numbers of your unit. Upon receipt by Loren Cook Company of your written complaint, you will be notified, within thirty (30) days of our receipt of your complaint, in writing, as to the manner in which your claim will be handled. If you are entitled to warranty relief, a warranty adjustment will be completed within sixty (60) business days of the receipt of your written complaint by Loren Cook Company.

This warranty gives only the original purchaser placing the unit in service specifically the right. You may have other legal rights which vary from state to state.