

COPYRIGHT 2022
THIS DRAWING IS AN INSTRUMENT OF SERVICE AND AS SUCH REMAINS THE PROPERTY OF CHIPOTLE MEXICAN GRILL, INC. PERMISSION FOR USE OF THIS DOCUMENT IS LIMITED AND CAN BE EXTENDED ONLY BY WRITTEN AGREEMENT WITH CHIPOTLE MEXICAN GRILL, INC.



STORE NO.: 4454
"Lubbock South"
11909 QUAKER AVE.
LUBBOCK, TX 79424

Issue Record:	
02/13/23	PERMIT ISSUE

Revisions:	

Drawn: _____ Checked: _____
RLD JDM

Project No.
01632

Contents:
HVAC SPECIFICATIONS

M010

HVAC GENERAL NOTES

- A GENERAL NOTES APPLY TO HVAC SHEETS.
- B WORK SHALL COMPLY WITH STATE AND LOCAL CODE REQUIREMENTS AS APPROVED AND AMENDED BY THE AUTHORITY HAVING JURISDICTION, INCLUDING APPLICABLE SECTIONS OF NFPA, THE MECHANICAL CODE, AND ANY INTERIM AMENDMENTS AT THE TIME OF THE PROPOSAL. PURCHASE PERMITS ASSOCIATED WITH THE WORK. OBTAIN INSPECTIONS REQUIRED BY CODE. SEE ARCHITECTURAL SHEETS FOR THE PREVAILING CODES.
- C CONTRACTOR AND SUBCONTRACTORS SHALL REVIEW A COMPLETE SET OF THE CONSTRUCTION DOCUMENTS.
- D COORDINATE WORK WITH THE WORK OF OTHER TRADES. EQUIPMENT FURNISHED BY OTHERS, REQUIREMENTS OF THE OWNER, AND OF THE EXISTING CONDITIONS AT THE PROJECT SITE.
- E DRAWINGS FOR THE MECHANICAL WORK ARE DIAGRAMMATIC, SHOWING THE GENERAL LOCATION, TYPE, LAYOUT, AND EQUIPMENT REQUIRED. THE DRAWING SHALL NOT BE SCALED FOR EXACT MEASUREMENTS, REFER TO ARCHITECTURAL DRAWINGS FOR DIMENSIONS. REFER TO MANUFACTURER'S STANDARD INSTALLATION DRAWINGS FOR EQUIPMENT CONNECTIONS AND INSTALLATION REQUIREMENTS. PROVIDE DUCTWORK, CONNECTIONS, OFFSETS, ACCESSORIES, AND MATERIALS NECESSARY FOR A COMPLETE SYSTEM.
- F DUCT DIMENSIONS ON PLANS INDICATE DIMENSIONS OF INTERNAL FREE AREA.
- G PERFORATED CEILING DIFFUSERS SHALL BE 4-WAY UNLESS NOTED OTHERWISE.
- H COORDINATE ROOF WORK WITH THE OWNER'S CONSTRUCTION MANAGER PRIOR TO CONSTRUCTION.
- I UNLESS NOTED OTHERWISE, RECTANGULAR DUCT ELBOWS GREATER THAN 45° SHALL BE MITERED ELBOWS WITH DOUBLE-THICKNESS TURNING VANES AND RECTANGULAR DUCT ELBOWS 45° OR LESS SHALL BE RADIUSSED ELBOWS WITH AN INSIDE RADIUS OF AT LEAST 1/2 THE WIDTH OF THE DUCT.
- J REPLACE AIR FILTERS WITH NEW, CLEAN MERV 8 AIR FILTERS AT TURNOVER.
- K THE TERM "FURNISH" MEANS SUPPLY AND DELIVER TO THE PROJECT SITE, READY FOR UNLOADING, UNPACKING, ASSEMBLY, INSTALLATION, AND SIMILAR OPERATIONS. THE TERM "INSTALL" DESCRIBES THE OPERATIONS AT THE PROJECT SITE INCLUDING THE ACTUAL UNLOADING, UNPACKING, ASSEMBLY, ERECTING, PLACING, ANCHORING, APPLYING, WORKING TO DIMENSION, FINISHING, CURING, PROTECTING, CLEANING, AND SIMILAR OPERATIONS. THE TERM "PROVIDE" MEANS TO FURNISH AND INSTALL, COMPLETE AND READY FOR THE INTENDED USE.
- L PROVIDE LABELING CALLED FOR IN THE HVAC DRAWINGS USING ENGRAVED PHENOLIC PLATES.
- M PROVIDE P3000 12 GA. UNISTRUT WITH PG FINISH FOR DUCT SUPPORTS AND OTHER UNISTRUT IN AREAS EXPOSED TO VIEW. SLOTTED UNISTRUT AND OTHER UNISTRUT WITH HOLES IS NOT ACCEPTABLE.

HVAC MATERIAL SCHEDULE

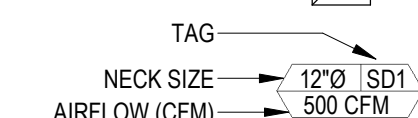
CATEGORY	APPLICATION	ALLOWABLE MATERIAL
DUCT	CONCEALED, GENERAL EXHAUST	RECT. OR ROUND AS SHOWN
	CONCEALED, RETURN	RECT. OR ROUND AS SHOWN, LINED OR INSULATED
	CONCEALED, SUPPLY	RECT. OR ROUND AS SHOWN, LINED OR INSULATED
	CONCEALED, TYPE I HOOD EXHAUST	RECTANGULAR 16 GA. BLACK IRON W/ WRAP OR UL 1978 FACTORY-MANUFACTURED DUCT W/ WRAP (SUBMIT SHOP DRAWINGS FOR FACTORY-MANUFACTURED DUCT PRIOR TO ORDERING FOR APPROVAL)
	EXPOSED GENERAL EXHAUST	RECTANGULAR, NO EXPOSED DUCT-SEALING MASTIC
	EXPOSED RETURN	RECTANGULAR, NO EXPOSED DUCT-SEALING MASTIC
	EXPOSED SUPPLY	RECT. LINED OR ROUND AS SHOWN, NO EXPOSED DUCT-SEALING MASTIC

HVAC ABBREVIATIONS

- (E) EXISTING
- ABV ABOVE
- ADA AMERICANS WITH DISABILITIES ACT
- AF ABOVE FINISHED FLOOR
- AFG ABOVE FINISHED GRADE
- AHJ AUTHORITY HAVING JURISDICTION
- BFF BELOW FINISHED FLOOR
- BFG BELOW FINISHED GRADE
- BOH BACK OF HOUSE
- CLG CEILING
- CTE CONNECT TO EXISTING
- DN DOWN
- EXTG EXISTING
- FLR FLOOR
- FOH FRONT OF HOUSE
- GYP GYPSUM BOARD
- NTS NOT TO SCALE
- OH OVERHEAD
- OBD OPPOSED BLADE DAMPER
- TYP TYPICAL
- UG UNDERGROUND
- UNO UNLESS NOTED OTHERWISE
- VFD VARIABLE FREQUENCY DRIVE
- VSC VARIABLE SPEED CONTROLLER
- W/ WITH
- WC WALK-IN COOLER
- CO2AS TENANT'S CO2 ALARM SUPPLIER
- GC GENERAL CONTRACTOR
- HES TENANT'S HVAC EQUIPMENT SUPPLIER
- HS TENANT'S HOOD SUPPLIER
- KES TENANT'S KITCHEN EQUIPMENT SUPPLIER
- LL LANDLORD
- TAB TENANT'S TEST AND BALANCE VENDOR
- TCC TENANT'S CABLING CONTRACTOR
- TDC TENANT'S DUCT CLEANER
- TEMS TENANT'S ENERGY MANAGEMENT SYSTEM SUPPLIER
- TLS TENANT'S LIGHT/LAMP SUPPLIER
- TMB TENANT'S MENU BOARD SUPPLIER
- TMS TENANT'S MILLWORK SUPPLIER
- TP TENANT'S PHONE SUPPLIER
- TRS TENANT'S RAILING SUPPLIER
- TSV TENANT'S SIGN VENDOR
- TUV TENANT'S UV SANITIZER SUPPLIER
- WCS TENANT'S WALK-IN COOLER SUPPLIER
- WHS TENANT'S WATER HEATER SUPPLIER

HVAC SYMBOLS

- CEILING DIFFUSER
- CEILING-MOUNTED RETURN OR EXHAUST REGISTER
- SUPPLY REGISTER
- RETURN GRILLE
- FLEXIBLE DUCT
- MITERED CORNER WITH TURNING VANES
- TYPICAL
- UNDERGROUND
- UNLESS NOTED OTHERWISE
- VARIABLE FREQUENCY DRIVE
- VARIABLE SPEED CONTROLLER
- WITH
- WALK-IN COOLER
- DUCTWORK INTERNAL FREE DIMENSIONS (WIDTH/HEIGHT)
- RECTANGULAR TO ROUND DUCT TRANSITION
- DUCT-MOUNTED SMOKE DETECTOR
- MOTOR-OPERATED DAMPER
- MANUAL VOLUME DAMPER
- GREASE DUCT CLEANOUT
- MITERED CORNER WITHOUT TURNING VANES
- GRIDPOINT THERMOSTAT
- GRIDPOINT ZONE SENSOR MODULE
- GRIDPOINT SUPPLY PROBE
- PLAN NOTE: SEE PLAN NOTES LISTED ON THE SAME SHEET FOR NOTE MEANING
- CONNECT TO EXISTING
- EQUIPMENT TAG: SEE EQUIPMENT SCHEDULE ON SHEET M600 FOR EQUIPMENT INFORMATION
- AUDIO/VISUAL REMOTE SMOKE DETECTOR ANNUNCIATOR WITH REMOTE KEY OPERATED RESET
- GRILL, REGISTER, OR DIFFUSER TAG



SECTION 15732 - PACKAGED ROOFTOP AIR-CONDITIONING UNITS

PART 1 - GENERAL

- 1.1 SECTION REQUIREMENTS
 - A. Submittals: Product Data and Shop Drawings.
 - B. Comply with ASHRAE 15.
 - C. EER: Equal to or greater than prescribed by the energy code adopted by the Authority Having Jurisdiction.
 - D. Warranties: Submit a written warranty, signed by the manufacturer, agreeing to the repair or replacement of components that fall within 5 years of Substantial Completion.

PART 2 - PRODUCTS

- 2.1 PACKAGED UNITS, 5 TO 20 TONS
 - A. Factory assembled and tested, consisting of compressors, condensers, evaporator coils, condenser and evaporator fans, refrigeration and temperature controls, filters, and dampers.
 1. Refer to Rooftop Heating/Cooling Unit Schedule on drawing M600 for capacities, and manufacturers.
 2. Evaporator Fans: Belt or direct driven, forward curved centrifugal.
 3. Exhaust/Relief Fans: Direct drive, forward curved centrifugal or propeller.
 4. Condenser Fans: Direct drive propeller.
 5. Refrigerant Coils: Aluminum fins and copper coil.
 6. Compressors: Serviceable hermetic or fully hermetic, with safety controls, hot gas bypass, and timed off controls.
 7. Heat Exchangers: Gas fired, with gas controls, electronic ignition, high limit cutout, and forced draft proving switch.
 8. Economizer controls (Comparative Enthalpy, 100% capacity).
 9. Smoke Detectors: Photoelectric in supply and/or return as called for in schedule on sheet M600.
 10. Operating Controls: Two stage heating and two stage cooling on units 7-1/2 tons and over.
 11. Roof curb.
 12. Control Wiring from T-stat to rooftop unit: Shall be 18ga / 7 conductor, rated for plenum applications.
 13. Control Wiring from T-stat to remote sensor: Shall be a separate 18ga / 2 conductor shielded, rated for plenum applications.

PART 3 - EXECUTION

- 3.1 INSTALLATION
 - A. Install units level and plumb and firmly anchored.
 - B. Connect gas piping to burner with pipe same size as gas train inlet, and provide union with sufficient clearance for burner removal and service.
 - C. Install ducts to termination in roof mounting frames. Terminate ducts through roof structure.
 - D. Connect units to wiring systems and to ground.

END OF SECTION 15732

SECTION 15810 - DUCTS AND ACCESSORIES

PART 1 - GENERAL

- 1.1 SECTION REQUIREMENTS
 - A. Submittals: Product Data for fire and smoke dampers.
 - B. Comply with NFPA 90A for systems serving spaces more than 25,000 cu. ft. in volume or building Types II, IV, and V construction more than 3 stories in height.
 - C. Comply with NFPA 90B for systems serving spaces in 1 or 2 family dwellings or serving spaces less than 25,000 cu. ft..
 - D. Comply with NFPA 96, "Ventilation Control and Fire Protection of Commercial Cooking Operations," for kitchen hood ducts.
 - E. Comply with UL 181 and UL 181A for ducts and closures.
 - F. Testing, Adjusting, and Balancing Agency Qualifications: AABC certified (to be furnished by Tenant).

PART 2 - PRODUCTS

- 2.1 DUCTS
 - A. Spiral Duct: Spiral Lock Seam, without insulation, G90 galvanized finish, ASTM A-653/924
 1. Basis of Design Manufacturers: Lindab SPIROsafe, alternates to the basis of design must be submitted for review.
 2. Fittings: Factory produced standing seam construction with internal sealing. Fittings with a major axis of 36" or smaller shall be 20 gauge. Fittings with a major axis of 37"-48" shall be 18 gauge.
 - B. Galvanized Steel Sheet: Forming steel, ASTM A 653/653M, G90 coating designation.
 - C. Duct Liner: ASTM C 1071, Type II, with an airstream surface coated with a temperature resistant coating. Thickness: 1-1/2 inch. R-value : 8.
 1. Adhesive: ASTM C 916, Type I.
 2. Mechanical Fasteners: Galvanized steel pin, length as required to penetrate liner plus a 1/8 inch projection maximum into the airstream.
 - D. Joint and Seam Tape: Comply with UL 181A.
 - E. Joint and Seam Sealant: Comply with UL 181A.
 - F. Rectangular Metal Duct Fabrication: Comply with SMACNA's "HVAC Duct Construction Standard" for metal thickness, reinforcing types and intervals, tie rod applications, and joint types and intervals.

2.2 ACCESSORIES

- A. Volume-Control Dampers: Factory fabricated volume control dampers, complete with required hardware and accessories. Single blade and multiple opposed blade, standard leakage rating, and suitable for horizontal or vertical applications.
- B. Fire Dampers: Factory-fabricated fire dampers, complete with required hardware and accessories. UL labeled according to UL 555, "Fire Dampers".
- C. Flexible Connectors: Flame retardant or noncombustible fabrics, coatings, and adhesives complying with UL 181, Class 1.
- D. Flexible Ducts: Factory fabricated, insulated, round duct, with an outer jacket enclosing 2 inch thick, glass fiber insulation, R-value: 6.0, around a continuous inner liner.

PART 3 - EXECUTION

- 3.1 INSTALLATION
 - A. Duct System Pressure Class: Construct and install each duct system with 2 inch positive and negative duct pressure classifications.
 - B. Conceal ducts from view in finished and occupied spaces. Except where noted as exposed.
 - C. Avoid passing through electrical equipment spaces and enclosures.
 - D. Support and connect metal ducts according to SMACNA's "HVAC Duct Construction Standard".
 - E. Install duct accessories according to applicable portions of details of construction as shown in SMACNA standards.
 - F. Install liner and/or insulation on ductwork per the material schedule on sheet M010.
 - G. Install volume control dampers in lined duct with methods to avoid damage to liner and to avoid erosion of duct liner.
 - H. Install fire and smoke dampers according to manufacturer's UL approved written instructions.
 - I. Install fusible links in fire dampers.
 - J. Provide saddle taps at tees for exposed ductwork.

3.2 TESTING, ADJUSTING, AND BALANCING

- A. The Tenant will supply an independent balance agent to to balance and adjust the HVAC installation. The balance agent will be responsible for any pulley or belt changes required.
- B. The GC is to have trained staffed available during the balancing to correct issues noted by the balance agent.
- C. The balance agent is to balance airflow within distribution systems, including submains, branches, and terminals to indicated quantities +/- 10%. The hood exhaust system shall be balanced to a tolerance of -0+10% and the make-up air system to a tolerance of -10+0%.
- D. The balance agent is to supply a copy of the balance report to the Tenant, engineer and general contractor for review.

END OF SECTION 15810

SECTION 15855 - DIFFUSERS, REGISTERS, AND GRILLES

PART 1 - GENERAL

1.1 SECTION REQUIREMENTS

- A. Submittals: None.

PART 2 - PRODUCTS

- 2.1 OUTLETS AND INLETS
 - A. All air terminal devices:
 1. Refer to Grills, Registers, and Diffusers Schedule for equipment schedule
 2. Manufacturer: As scheduled (NO SUBSTITUTIONS)
 3. Material: As scheduled.
 4. Finish: As scheduled.
 5. Mounting: As scheduled.

PART 3 - EXECUTION

- 3.1 INSTALLATION
 - A. Coordinate location and installation with duct installation and installation of other ceiling and wall mounted items.
 - B. Locate ceiling diffusers, registers, and grilles, as indicated on the architectural "reflected ceiling plans." Unless otherwise indicated, locate units in center of acoustical ceiling panels.

END OF SECTION 15855



COPYRIGHT 2022
 THIS DRAWING IS AN INSTRUMENT OF SERVICE AND AS SUCH REMAINS THE PROPERTY OF CHIPOTLE MEXICAN GRILL, INC. PERMISSION FOR USE OF THIS DOCUMENT IS LIMITED AND CAN BE EXTENDED ONLY BY WRITTEN AGREEMENT WITH CHIPOTLE MEXICAN GRILL, INC.



STORE NO.: 4454
 "Lubbock South"
 11909 QUAKER AVE.
 LUBBOCK, TX 79424

Issue Record:
 02/13/23 PERMIT ISSUE

Revisions:

Drawn: RLD
 Checked: JDM

Project No.: 01632

Contents:

HVAC PLAN

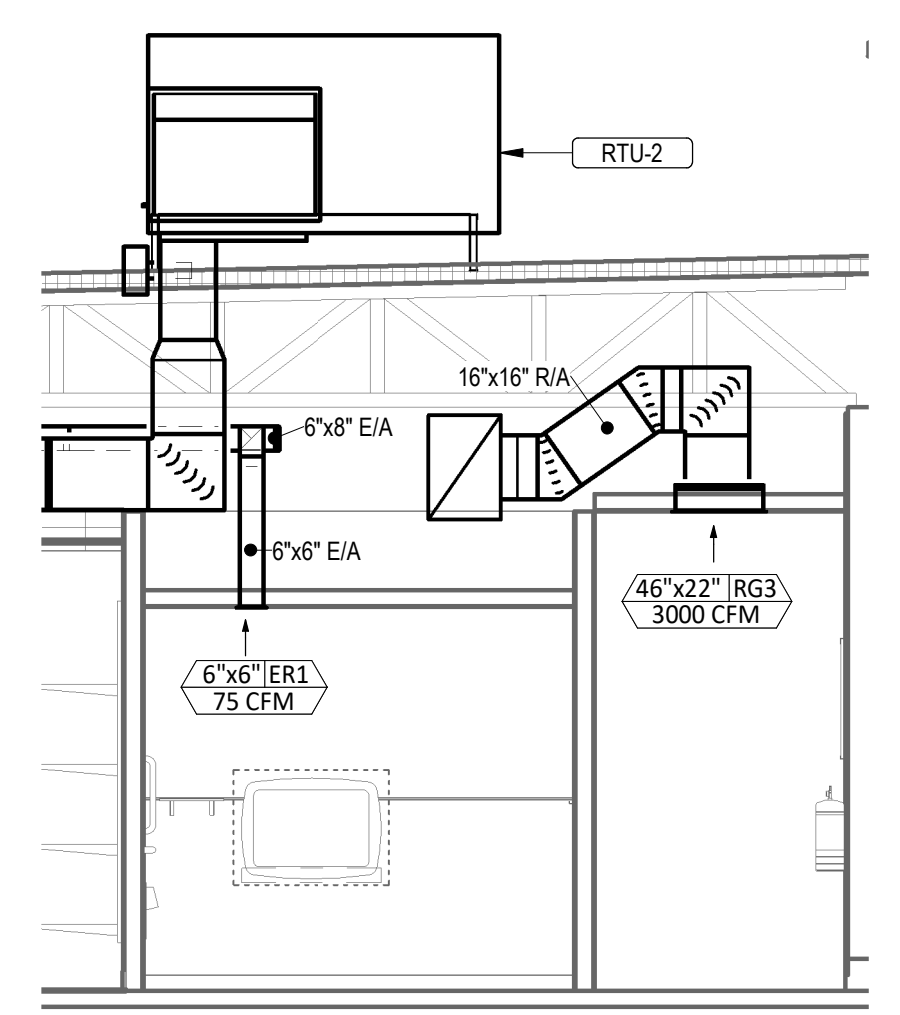
M100

HVAC PLAN NOTES

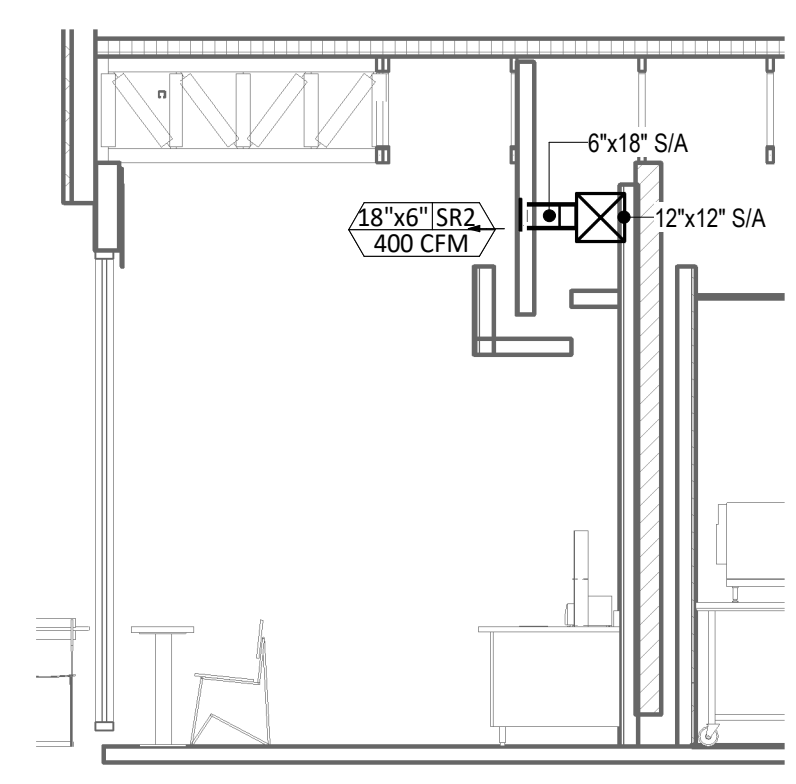
- 1 SEE ARCHITECTURAL REFLECTED CEILING PLAN FOR CEILING MOUNTED EQUIPMENT LOCATION. TYPICAL. PAINT DUCTWORK VISIBLE THROUGH DINING ROOM SUPPLY REGISTERS BLACK. TYPICAL.
- 2 NOT USED. (or) PENETRATIONS THROUGH SHEAR WALL SHALL BE LIMITED TO 10" DIAMETER (OR A GROUP OF PENETRATIONS ARE REQUIRED COORDINATE WITH STRUCTURAL ENGINEER FOR APPROPRIATE BRACING. SEE STRUCTURAL DRAWINGS FOR SHEAR WALL LOCATION).
- 3 DUCT UP FOR TRANSITION TO RTU-1 RETURN CONNECTION IN ROOF CURB. RTU-1 SHALL HAVE AN INTEGRAL SMOKE DETECTOR MOUNTED IN THE RETURN AIR STREAM. INTERLOCK SMOKE DETECTOR TO RTU-1 OPERATION.
- 4 DUCT UP THROUGH ROOF TO RETURN DUCT ON ROOF. RETURN DUCT SHALL HAVE AN INTEGRAL SMOKE DETECTOR MOUNTED IN THE RETURN AIR STREAM. INTERLOCK SMOKE DETECTOR TO RTU-2 OPERATION.
- 5 DUCT UP FROM BUILDING SUPPLY THROUGH ROOF. TRANSITION TO RTU-1 SUPPLY CONNECTION IN ROOF CURB.
- 6 DUCT UP FROM BUILDING SUPPLY THROUGH ROOF TO SUPPLY DUCT LOCATED ON ROOF.
- 7 14"14 DUCT UP THROUGH ROOF. TRANSITION TO MAU-1 SUPPLY CONNECTION IN ROOF CURB.
- 8 24"10 DUCT UP FROM HOOD THROUGH ROOF TO EF-1 COMPLIANT WITH NFPA 96. PROVIDE RADIUS ELBOWS WITH AN INSIDE RADIUS OF 0.5W AT ELBOWS IN GREASE DUCT.
- 9 8"6 DUCT UP THROUGH ROOF TO EF-2.
- 10 28"6 DUCT DOWN TO MAKEUP AIR PSP DUCT CONNECTION. TRANSITION TO SUPPLY PLENUM OPENING SIZE. TYPICAL FOR 3.
- 11 8" DIA. DUCT DOWN TO AC PSP DUCT CONNECTION. TRANSITION TO SUPPLY PLENUM OPENING SIZE. TYPICAL. CAP UNUSED DUCT CONNECTIONS.
- 12 INSTALL GRIDPOINT THERMOSTATS FURNISHED BY TEMS FOR RTU-1 AND RTU-2 AT THIS LOCATION AT 68" AFF. COORDINATE WITH ELECTRICAL SWITCHING IN THIS AREA. PROVIDE WIRING AS SHOWN IN DETAIL 8E710.
- 13 INSTALL GRIDPOINT ZONE SENSOR MODULE FURNISHED BY TEMS FOR RTU-1 AT THIS LOCATION 68" AFF DIRECTLY TO WALL (NO JUNCTION BOX). COORDINATE LOCATION WITH EQUIPMENT. PROVIDE WIRING AS SHOWN IN DETAIL 8E710.
- 14 INSTALL GRIDPOINT ZONE SENSOR MODULE FURNISHED BY TEMS FOR RTU-2 AT THIS LOCATION 68" AFF DIRECTLY TO WALL (NO JUNCTION BOX). COORDINATE LOCATION WITH EQUIPMENT. PROVIDE WIRING AS SHOWN IN DETAIL 8E710.
- 15 INSTALL GRIDPOINT SUPPLY PROBE FURNISHED BY TEMS FOR RTU-1 IN THE SUPPLY DUCTWORK UPSTREAM FROM THE FIRST BRANCH CONNECTION. PROVIDE WIRING AS SHOWN IN DETAIL 8E710.
- 16 INSTALL GRIDPOINT SUPPLY PROBE FURNISHED BY TEMS FOR RTU-2 IN THE SUPPLY DUCTWORK UPSTREAM FROM THE FIRST BRANCH CONNECTION. PROVIDE WIRING AS SHOWN IN DETAIL 8E710.
- 17 INSTALL REMOTE TEMPERATURE SENSOR FOR HOOD HD-1 AT THIS LOCATION 68" AFF. COORDINATE LOCATION WITH EQUIPMENT. PROVIDE (2) #18 G. THERMISTOR CABLE FROM TEMPERATURE SENSOR TO HOOD CONTROL PANEL.
- 18 INSTALL KITCHEN HOOD, HD-1, SUPPORT HOOD PER MANUFACTURER'S INSTALLATION INSTRUCTIONS AND AS DETAILED IN THE ARCHITECTURAL AND STRUCTURAL DRAWINGS. INSTALL HOOD ACCORDING TO THE REQUIREMENTS OF ITS LISTING, IN COMPLIANCE WITH NFPA 96, THE BUILDING CODE, AND AUTHORITIES HAVING JURISDICTION. HOOD SHALL HAVE AN INTEGRAL DUCT COLLAR TEMPERATURE SENSOR TO AUTOMATICALLY ENERGIZE THE EXHAUST AND MAKEUP AIR FANS IF COOKING TEMPERATURES ARE DETECTED. EXHAUST DUCT SYSTEM TO BE WELDED OR FACTORY-MANUFACTURED WATER AND AIR TIGHT. INSTALL CLEANOUTS PER CODE AND AS SHOWN. INSTALL HOOD PER DETAILS 2, 4M700 AND 9M700. CHIPOTLE WILL PROVIDE AN INDEPENDENT TESTING AGENCY FOR TESTING THE INTEGRITY OF THE GREASE DUCT SYSTEM.

HVAC PLAN NOTES

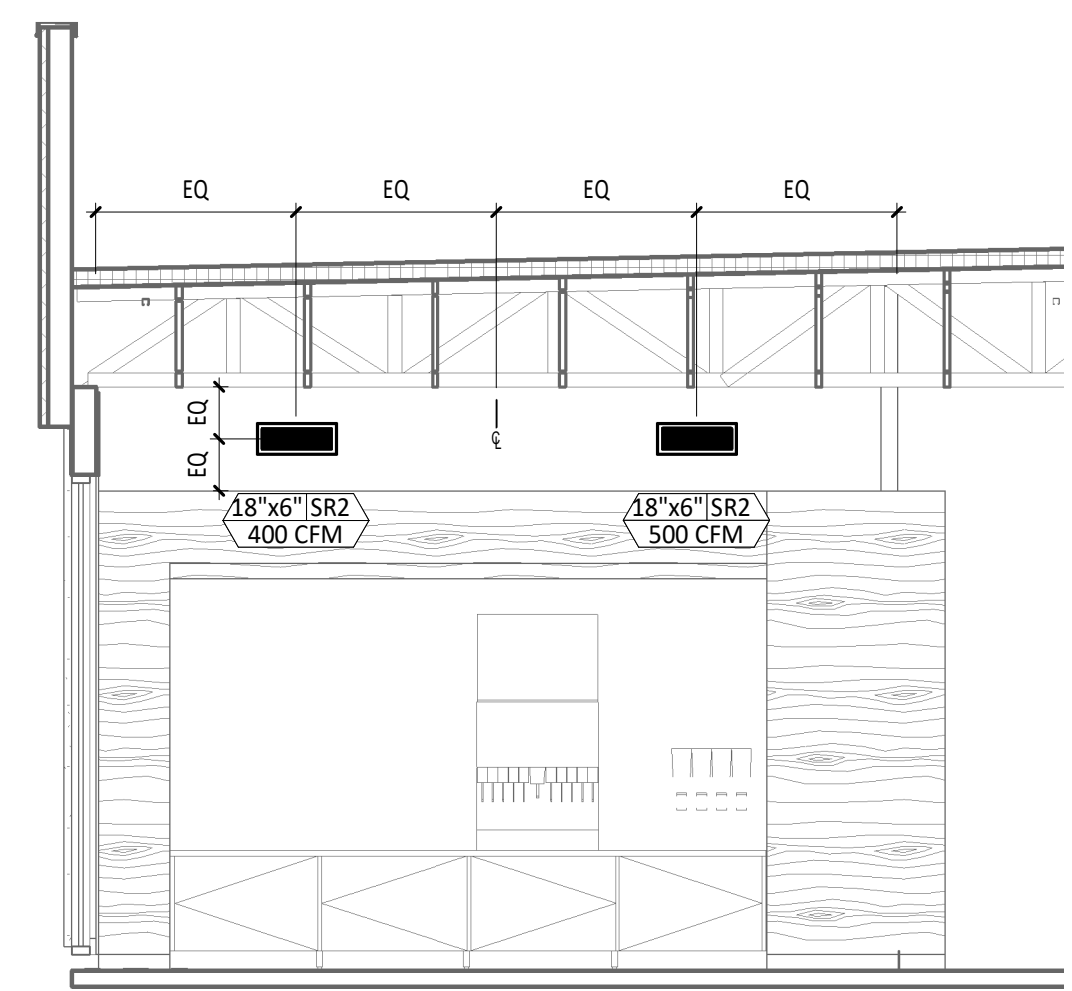
- 20 INSTALL REMOTE CONDENSING UNIT FOR WALK-IN COOLER ON ROOF AS DETAILED IN THE ARCHITECTURAL AND STRUCTURAL DRAWINGS. INSTALL REFRIGERANT LINE SET, THERMOSTATIC EXPANSION VALVE, SOLENOID VALVE, TEMPERATURE CONTROL, SIGHT GLASS, FILTER DRIER, PRESSURE CONTROL, LOW AMBIENT CONTROLS, AND WEATHERPROOF HOUSING. TRAP AND SLOPE REFRIGERANT LINES PER MANUFACTURER'S RECOMMENDATIONS. INSTALLATION SHALL COMPLY WITH ASHRAE/ANSI STANDARD 15. INSTALL THE REFRIGERANT LINE SET UNDER THE ROOF DECK TO WITHIN 3' OF THE CONDENSING UNIT. CUT 2-1/2" HOLE IN WALK-IN COOLER ROOF FOR REFRIGERANT LINE SET AND SEAL PER THE COOLER MANUFACTURER'S INSTALLATION INSTRUCTIONS AFTER LINE SET IS INSTALLED.
- 21 INSTALL REMOTE CONDENSER FOR ICE MACHINE ON ROOF AS DETAILED IN THE ARCHITECTURAL AND STRUCTURAL DRAWINGS. INSTALL REFRIGERANT LINE SET, THERMOSTATIC EXPANSION VALVE, SOLENOID VALVE, TEMPERATURE CONTROL, SIGHT GLASS, FILTER DRIER, PRESSURE CONTROL, LOW AMBIENT CONTROLS, AND WEATHERPROOF HOUSING. TRAP AND SLOPE REFRIGERANT LINES PER MANUFACTURER'S RECOMMENDATIONS. SEAL PIPING PENETRATIONS THROUGH ROOF. INSTALLATION SHALL COMPLY WITH ASHRAE/ANSI STANDARD 15. INSTALL THE REFRIGERANT LINE SET UNDER THE ROOF DECK TO WITHIN 3' OF THE REMOTE CONDENSER. IF REFRIGERANT PIPING TO ICE MAKER IS EXPOSED TO PUBLIC VIEW CONCEAL WITHIN A STAINLESS STEEL SHROUD AS SHOWN IN THE ARCHITECTURAL DRAWINGS.
- 22 INSTALL ROOFTOP EQUIPMENT PER MANUFACTURER'S INSTALLATION INSTRUCTIONS AND AS DETAILED IN THE ARCHITECTURAL AND STRUCTURAL DRAWINGS.
- 23 INSTALL EXHAUST FAN EF-1 PER DETAIL 5M700 AND AS DETAILED IN THE ARCHITECTURAL AND STRUCTURAL DRAWINGS. INSTALL GREASE VIROGUARD SYSTEM FURNISHED BY CHIPOTLE ON EXHAUST FAN, EF-1.
- 24 PROVIDE SUPPLY DIFFUSER CONNECTION TO SUPPLY SYSTEM PER DETAIL 1M700. TYPICAL.
- 25 PROVIDE AUDIO/VISUAL REMOTE SMOKE DETECTOR ANNUNCIATOR WITH REMOTE KEY OPERATED RESET. WIRE A UNIT BACK TO EACH SMOKE DETECTOR. MOUNT UNIT 68" AFF. TYPICAL.
- 26 INSTALL REME HALO AIR PURIFIER FURNISHED BY TUV IN RTU PER DETAIL 6M700. SEE ELECTRICAL DRAWINGS FOR POWER CONNECTION INFORMATION. INSTALL UV WARNING STICKERS ON FACE OF ENCLOSURE PER DETAIL AND ON ANY RTU ACCESS DOOR(S) THROUGH WHICH THE REME HALO WOULD BE VISIBLE IF OPENED.
- 27 MAINTAIN 10' CLEARANCE BETWEEN WATER HEATER FLUE TERMINATION AND OUTSIDE AIR INTAKES. MAINTAIN 10' CLEARANCE BETWEEN WATER HEATER COMBUSTION AIR INTAKE AND EXHAUST FAN EF-1 DISCHARGE. SEE PLUMBING DRAWINGS FOR MORE INFORMATION ON WATER HEATER FLUE AND COMBUSTION AIR TERMINATIONS.
- 28 ADJUST SUPPLY REGISTERS SO THAT SUPPLY AIR HITS WALL ON OPPOSITE SIDE OF ROOM AT APPROXIMATELY 7' AFF WITH NO DRAFTS FELT IN THE DINING ROOM.



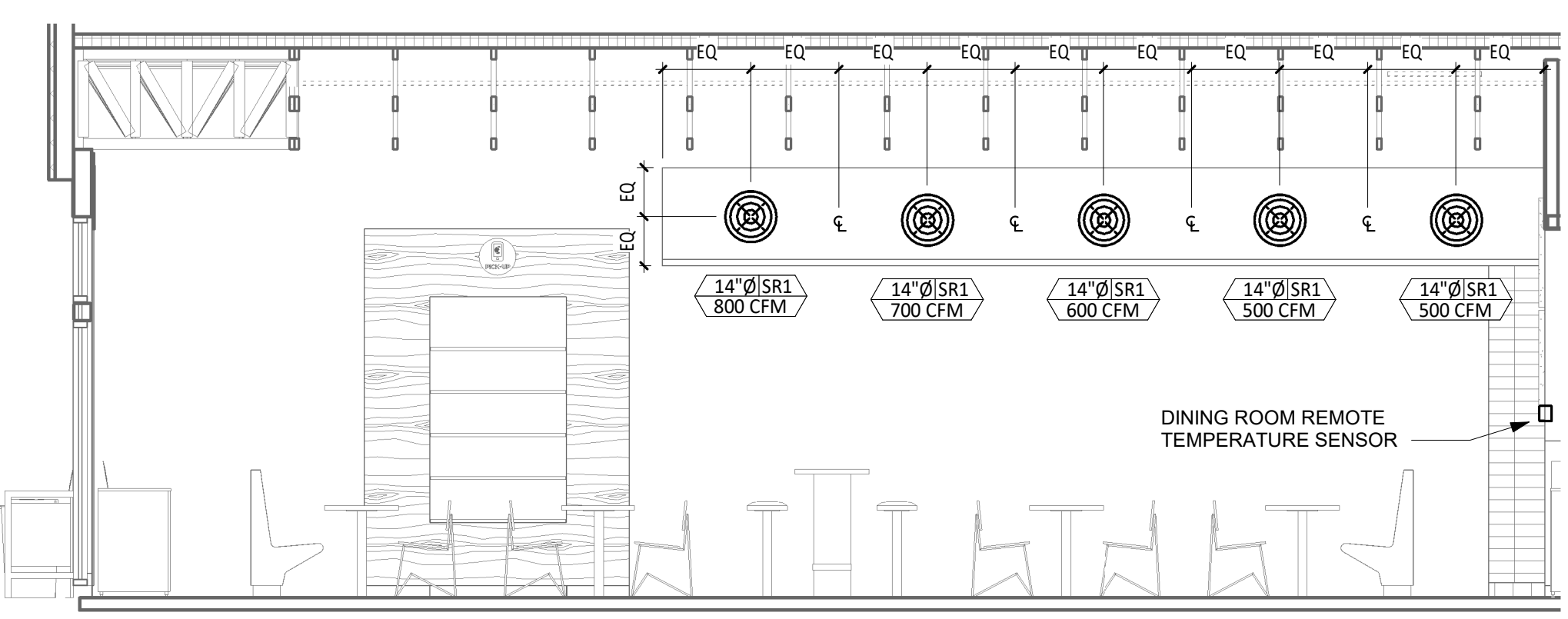
6 HVAC DINING ROOM RETURN SECTION
 1/4" = 1'-0"



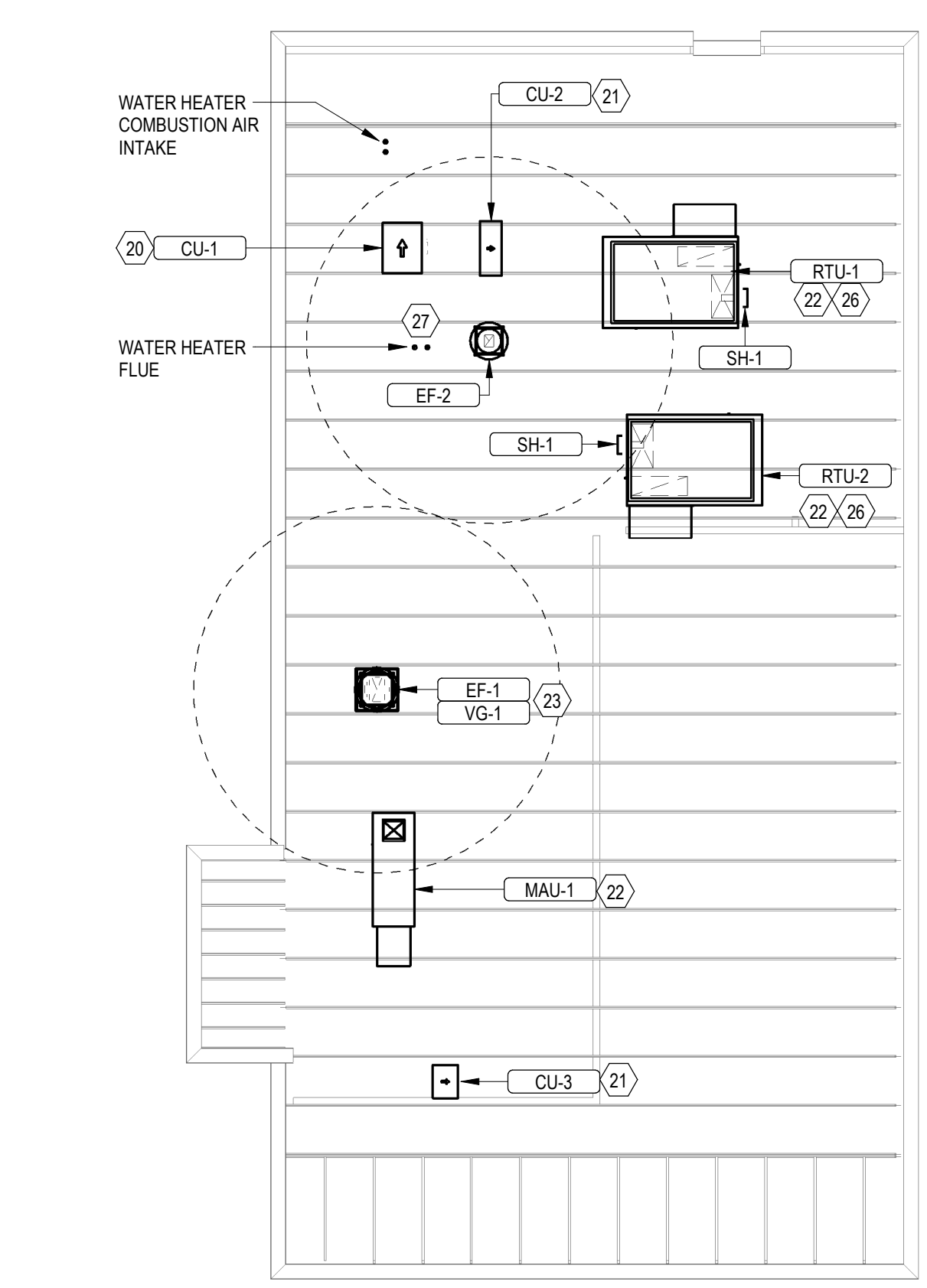
5 HVAC DINING ROOM SECTION
 1/4" = 1'-0"



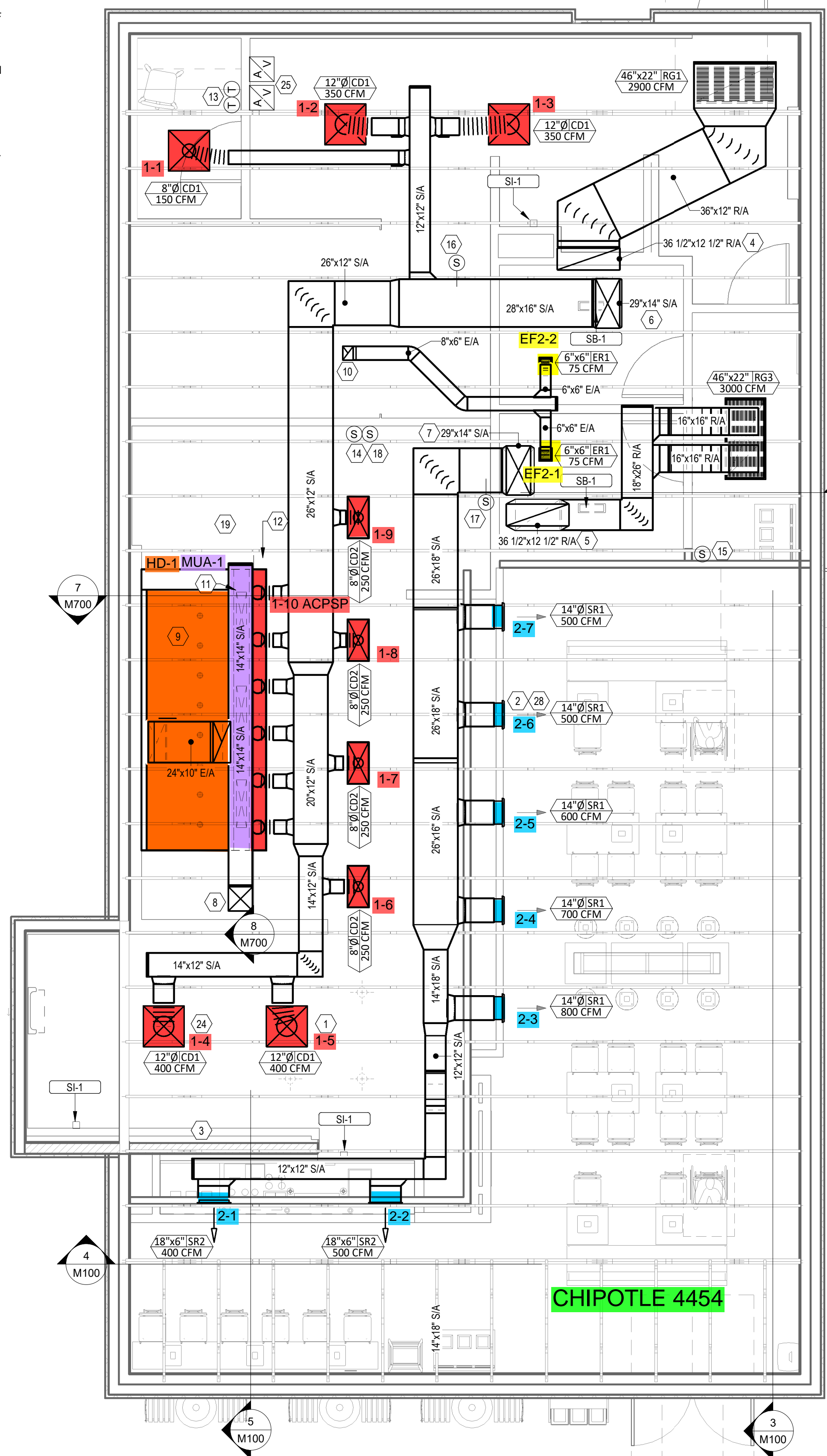
4 HVAC DINING ROOM SECTION
 1/4" = 1'-0"



3 HVAC DINING ROOM SECTION
 1/4" = 1'-0"



2 ROOF MECHANICAL PLAN
 1/8" = 1'-0"



1 HVAC PLAN
 1/4" = 1'-0"

CHIPOTLE 4454

AIR BALANCE SCHEDULE

TAG	SUPPLY FLOW	RETURN FLOW	EXHAUST FLOW	SUBTOTAL
EF-1	0 CFM	0 CFM	2,550 CFM	-2,550 CFM
EF-2	0 CFM	0 CFM	150 CFM	-150 CFM
MAU-1	1,300 CFM	0 CFM	0 CFM	1,300 CFM
RTU-1	3,400 CFM	2,900 CFM	0 CFM	500 CFM
RTU-2	4,000 CFM	3,000 CFM	0 CFM	1,000 CFM
NET PRESSURIZATION				100 CFM

AIR TERMINAL SCHEDULE

TAG	DESCRIPTION	FACE SIZE	MATERIAL	FINISH	MOUNTING	FURNISHED BY	INSTALLED BY	BASIS FOR DESIGN		NOTES
								MANUFACTURER	MODEL	
CD1	PERFORATED CEILING DIFFUSER	24" X 24"	ALUMINUM	WHITE	LAY-IN CEILING	GC	GC	NAILOR	4320A TYPE L	PROVIDE WITH INTEGRAL OBD
CD2	PERFORATED CEILING DIFFUSER	24" X 12"	ALUMINUM	WHITE	LAY-IN CEILING	GC	GC	NAILOR	4320A TYPE L	PROVIDE WITH INTEGRAL OBD, REMOVE 4-WAY DEFLECTORS
ER1	PERFORATED CEILING EXHAUST	12" X 12"	ALUMINUM	WHITE	SURFACE MOUNT	GC	CG	NAILOR	4330R TYPE S	PROVIDE INTEGRAL OBD
RG1	PERFORATED CEILING RETURN	48" X 24"	ALUMINUM	WHITE	LAY-IN CEILING	GC	GC	NAILOR	4330R TYPE L	
RG3	PERFORATED CEILING RETURN	48" X 24"	ALUMINUM	WHITE	SURFACE MOUNT	GC	GC	NAILOR	4330R TYPE S	
SR1	ADJUSTABLE TURBO NOZZLE	SEE NECK SIZE	ALUMINUM	WHITE	WALL	GC	GC	AIR CONCEPTS	ANR-14	PROVIDE WITH CONCEALED MOUNTING AND FACE-ACCESSIBLE OBD
SR2	DOUBLE DEFLECTION SUPPLY REGISTER	SEE NECK SIZE	ALUMINUM	WHITE	WALL	GC	GC	NAILOR	51DH	PROVIDE WITH INTEGRAL OBD

FAN SCHEDULE

TAG	DESCRIPTION	AIRFLOW	ESP	WEIGHT	ELECTRICAL			FURNISHED BY	INSTALLED BY	BASIS FOR DESIGN		REMARKS
					MOTOR POWER	VOLT	PH			MANUFACTURER	MODEL NO.	
EF-1	UPBLAST UL762 EXHAUST FAN	2550 CFM	1.50 in-wg	400 lb	2.00 hp	208 V	3	HS	GC	CAPTIVE-AIRE	DU180HFA	DIRECT DRIVE UL762 UPBLAST EXHAUST FAN FURNISHED WITH WEATHERPROOF DISCONNECT AND VENTED ROOF CURB
EF-2	DOWNBLAST RESTROOM EXHAUST FAN	150 CFM	0.60 in-wg	100 lb	0.25 hp	120 V	1	HS	GC	CAPTIVE-AIRE	DR12HFA	DIRECT DRIVE DOWNBLAST RESTROOM EXHAUST FAN FURNISHED WITH INTEGRAL DISCONNECT, SPEED CONTROL, BACKDRAFT DAMPER, AND CURB

SANITIZING EQUIPMENT SCHEDULE

TAG	COUNT	DESCRIPTION	FURNISHED BY	INSTALLED BY	BASIS FOR DESIGN		REMARKS
					MANUFACTURER	MODEL	
SB-1	2	BATHROOM AIR PURIFICATION UNIT	TUV	GC	RGF ENVIRONMENTAL GROUP	BRU ASSEMBLY	SEE ELECTRICAL SHEETS FOR CONNECTION INFORMATION
SH-1	2	HVAC AIR PURIFICATION UNIT	TUV	GC	RGF ENVIRONMENTAL GROUP	REME-HALO	SEE DETAIL 6/M700 FOR INSTALLATION INFORMATION.
SI-1	3	ICE MACHINE TREATMENT SYSTEM	TUV	GC	RGF ENVIRONMENTAL GROUP	IMS-B-GA	SEE PLUMBING DRAWINGS FOR INSTALLATION INFORMATION.

VIROGUARD

TAG	COUNT	DESCRIPTION	DUCT CONNECTION SIZE	FAN	FURNISHED BY	INSTALLED BY	BASIS FOR DESIGN MANUFACTURER
VG-1	1	VIROGUARD HOOD EXHAUST FAN ROOFTOP CONTAINMENT SYSTEM	16" x 16"	CAPTIVE-AIRE DU180HFA	TDC	GC	ENVIROMATIC

CONDENSING UNIT SCHEDULE

TAG	DESCRIPTION	NUMBER OF		REFRIGERANT		ELECTRICAL				FURNISHED BY	INSTALLED BY	BASIS FOR DESIGN		REMARKS	
		COMPRESSORS	CIRCUITS	TYPE	CHARGE	WEIGHT	MOC	FLA	VOLT			PH	MANUFACTURER		MODEL NO.
CU-1	CONDENSING UNIT - WALK-IN COOLER	1	1	R-404A	10.40 lb	250 lb	15 A	9 A	208 V	3	WCS	GC	HARFORD	KPCL9M2OP-3E	FURNISHED WITH WALK-IN COOLER
CU-2	REMOTE CONDENSER - LOW CAPACITY ICE MAKER	0	1	R-404A	11.46 lb	100 lb	0 A	0 A	120 V	1	KES	GC	HOSHIZAKI	URC-9F	FURNISHED WITH ICE MAKER
CU-3	REMOTE CONDENSER - SODA MACHINE ICE MAKER	0	1	R-404A	3.86 lb	100 lb	0 A	0 A	120 V	1	KES	GC	HOSHIZAKI	URC-5F	FURNISHED WITH ICE MAKER

MAKEUP AIR UNIT SCHEDULE

TAG	DESCRIPTION	AIRFLOW	ESP	HEATING			ELECTRICAL				FURNISHED BY	INSTALLED BY	BASIS FOR DESIGN		REMARKS
				INPUT	OUTPUT	EAT(db)	WEIGHT	MOTOR POWER	VOLT	PH			MANUFACTURER	MODEL NO.	
MAU-1	DIRECT-FIRED MAKEUP AIR UNIT	1300 CFM	0.50 in-wg	225000 Btu/h	220000 Btu/h	15.9 °F	650 lb	1.00 hp	208 V	3	HS	GC	CAPTIVE-AIRE	A1-D.250-15D	12.5:1 MAX TURNDOWN. FURNISHED WITH DISCONNECT, ROOF CURB, SCREEN INTAKE, AND WASHABLE ALUMINUM FILTERS.

KITCHEN HOOD SCHEDULE

TAG	DESCRIPTION	MAX COOKING TEMP	AIRFLOW	ESP	EXHAUST PLENUM					PERFORATED SUPPLY PLENUMS					NO. OF LIGHT FIXTURES	WEIGHT	FURNISHED BY	INSTALLED BY	BASIS FOR DESIGN		REMARKS		
					DUCT COLLARS					MAU PLENUM									AC PLENUM			MANUFACTURER	MODEL NO.
					NO.	WIDTH	LENGTH	LENGTH	WIDTH	LENGTH	WIDTH	LENGTH	WIDTH	AIRFLOW					NO.	WIDTH			
HD-1	TYPE I CANOPY HOOD WITH PERFORATED MAU AND AC SUPPLY PLENUMS	600.0 °F	2550 CFM	0.97 in-wg	1	10"	2'-0"	12'-9"	4'-3"	13'-9"	1'-7"	1300	3	6"	2'-4"	700	6	8"	Captive-Aire	5424 ND-2-ACFSP-F	MATL: 18 GA. TYPE430 SS. FURNISHED WITH VERTICAL END PANELS, VAPORPROOF INCANDESCENT LIGHT FIXTURES, 16" TALL HE SS FILTERS, INTEGRAL UTILITY CABINET, ANSUL SYSTEM, DUCT COLLAR TEMPERATURE SENSOR, PREWIRE PACKAGE, SPARE FIRE SYSTEM DRY CONTACT, AND 4-POLE 20A CONTACTOR.		

ROOFTOP UNIT SCHEDULE

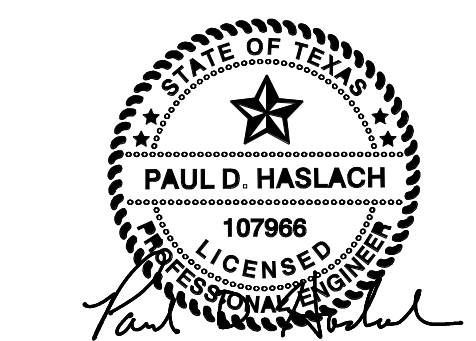
TAG	DESCRIPTION	NOMINAL CAPACITY	EER	IEER	AIRFLOW			NET COOLING CAPACITY				HEATING CAPACITY			NUMBER OF		REFRIGERANT			ELECTRICAL				FURNISHED BY	INSTALLED BY	BASIS FOR DESIGN		REMARKS	
					TOTAL	OA	ESP	TOTAL	SENSIBLE	EAT(db)	EAT(wb)	COND. EAT	INPUT	CAP	EAT(db)	COMPRESSORS	CIRCUITS	TYPE	CHARGE	WEIGHT	MOC	FLA	VOLT			PH	MANUFACTURER		MODEL NO.
RTU-1	ROOFTOP UNIT	8.5 ton	11.2	15	3400 CFM	500 CFM	0.80 in-wg	92000 Btu/h	74000 Btu/h	78.6 °F	63.0 °F	100	180000 Btu/h	148000 Btu/h	62.0 °F	2	1	R-410A	14.0	1350 lb	50	44	208 V	3	HES	GC	CARRIER	48FC-09	FURNISHED WITH COMP. ENTHALPY ECON., BAROMETRIC RELIEF, RET. SMOKE DETECTOR WIREMOT KEYPED ANNUNCIATOR/RESET, M.O.D., MERV-8 FILTERS, CURB, HAIL GUARD, TOOLLESS HINGED ACCESS PANELS, DISCONNECT, AND UNIT-MOUNTED CONVENIENCE RECEPTACLE.
RTU-2	ROOFTOP UNIT	10.0 ton	11	15	4000 CFM	1000 CFM	0.80 in-wg	108000 Btu/h	89000 Btu/h	81.2 °F	63.4 °F	100	224000 Btu/h	181000 Btu/h	56.5 °F	2	1	R-410A	15.2	1350 lb	60	54	208 V	3	HES	GC	CARRIER	48FC-12	FURNISHED WITH COMP. ENTHALPY ECON., BAROMETRIC RELIEF, RET. SMOKE DETECTOR WIREMOT KEYPED ANNUNCIATOR/RESET, M.O.D., MERV-8 FILTERS, CURB, HAIL GUARD, TOOLLESS HINGED ACCESS PANELS, DISCONNECT, AND UNIT-MOUNTED CONVENIENCE RECEPTACLE.

CONTROL FUNCTIONS

- THE MAIN COOKING EXHAUST FAN AND MAKE-UP AIR UNIT SHALL BE INTERLOCKED TO OPERATE TOGETHER. THIS CONTROL CIRCUIT IS ACTIVATED BY A SWITCH AND INCLUDES A FIRE PROTECTION OVERRIDE.
- THE TEMPERATURE IN EACH ZONE IS CONTROLLED BY SPACE TEMPERATURE SENSORS CONNECTED TO THE THERMOSTATS LOCATED IN THE OFFICE. ALL ZONES SHALL OPERATE WITH CONTINUOUS FAN OPERATION DURING OCCUPIED TIMES AND INTERMITTENTLY AS NEEDED TO MAINTAIN SET POINTS DURING UNOCCUPIED TIMES. OUTSIDE AIR DAMPERS SHALL BE OPEN CONTINUOUSLY WHEN EITHER IN OCCUPIED MODE OR WHEN THE HOOD SYSTEM IS ON AND SHALL BE CLOSED DURING UNOCCUPIED PERIODS.
- THE THERMOSTATS SHALL DETERMINE OCCUPIED/UNOCCUPIED STATUS BASED ON THE SCHEDULE IN THE ENERGY MANAGEMENT SYSTEM.

Consultant:

AVRES
MECHANICAL, ELECTRICAL,
PLUMBING (MEP)
1700 West Highway 36 - Suite 700
Roseville, Minnesota 55113
(651) 639-9606 Fax (651) 639-9618
Project No. 81-0386



COPYRIGHT 2022
THIS DRAWING IS AN INSTRUMENT OF SERVICE AND AS SUCH REMAINS THE PROPERTY OF CHIPOTLE MEXICAN GRILL, INC. PERMISSION FOR USE OF THIS DOCUMENT IS LIMITED AND CAN BE EXTENDED ONLY BY WRITTEN AGREEMENT WITH CHIPOTLE MEXICAN GRILL, INC.



CHIPOTLE MEXICAN GRILL, INC.
PO BOX 182566
COLUMBUS, OH 43218-2566
(614) 318-2400
www.chipotle.com

STORE NO.: 4454
"Lubbock South"
11909 QUAKER AVE.
LUBBOCK, TX 79424

Issue Record:
02/13/23 PERMIT ISSUE

Revisions:

Drawn: RLD Checked: JDM

Project No:
01632

Contents:

HVAC SCHEDULES

M600



COPYRIGHT 2022
 THIS DRAWING IS AN INSTRUMENT OF SERVICE AND AS SUCH REMAINS THE PROPERTY OF CHIPOTLE MEXICAN GRILL, INC. PERMISSION FOR USE OF THIS DOCUMENT IS LIMITED AND CAN BE EXTENDED ONLY BY WRITTEN AGREEMENT WITH CHIPOTLE MEXICAN GRILL, INC.



STORE NO.: 4454
 "Lubbock South"
 11909 QUAKER AVE.
 LUBBOCK, TX 79424

Issue Record:

02/13/23	PERMIT ISSUE

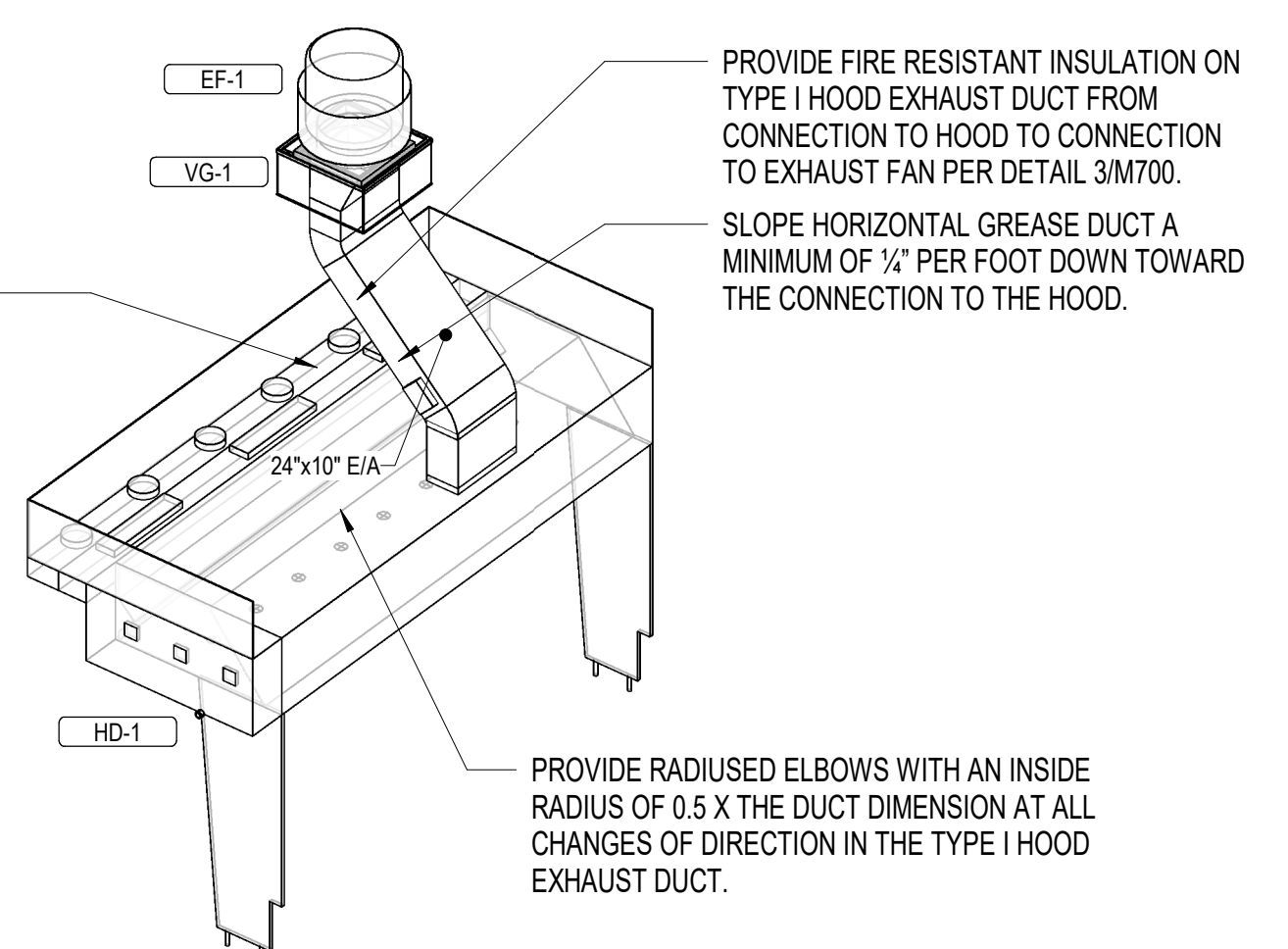
Revisions:

Drawn: RLD
 Checked: JDM
 Project No: 01632
 Contents:

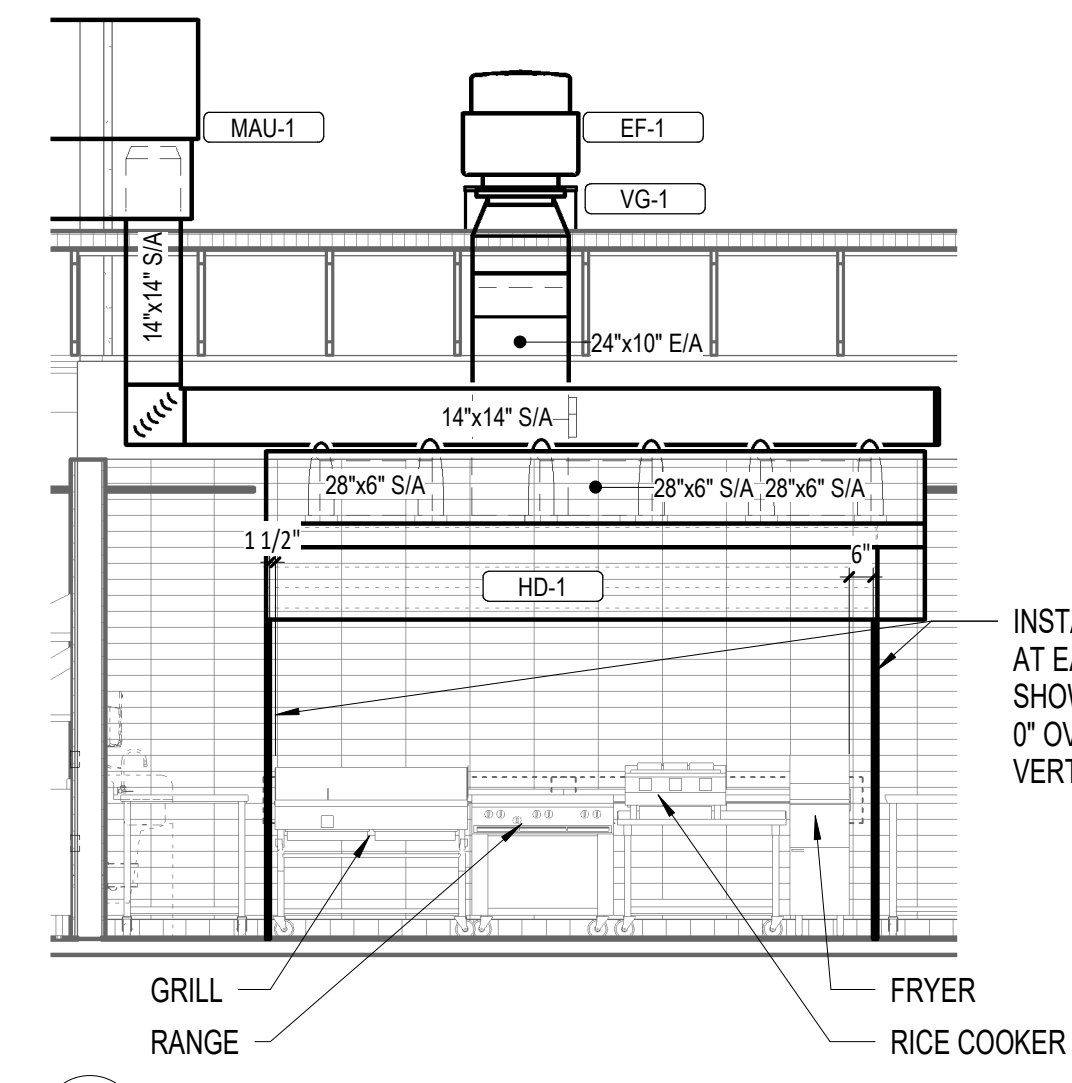
HVAC DETAILS

M700

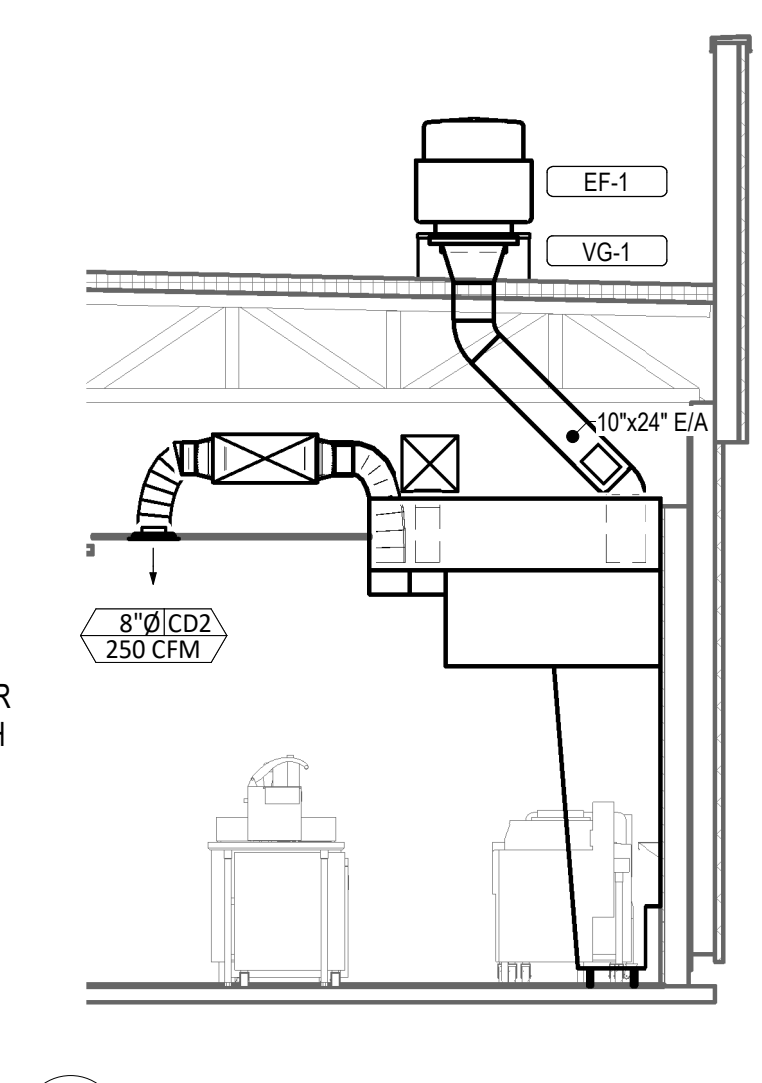
GREASE DUCT CLEANOUTS SHALL BE UL-LISTED DUCTMATE PREINSULATED CLEANOUT DOORS MODEL D128ULWSBI FOR DUCTS AT LEAST 17" TALL AND DW128ULWSBI FOR DUCTS LESS THAN 17" TALL. CLEANOUTS SHALL BE FURNISHED BY THE TENANT. COORDINATE NUMBER AND SIZE REQUIRED WITH ENVIROMATIC. INSTALL AS SHOWN IN THE HVAC FLOOR PLAN.



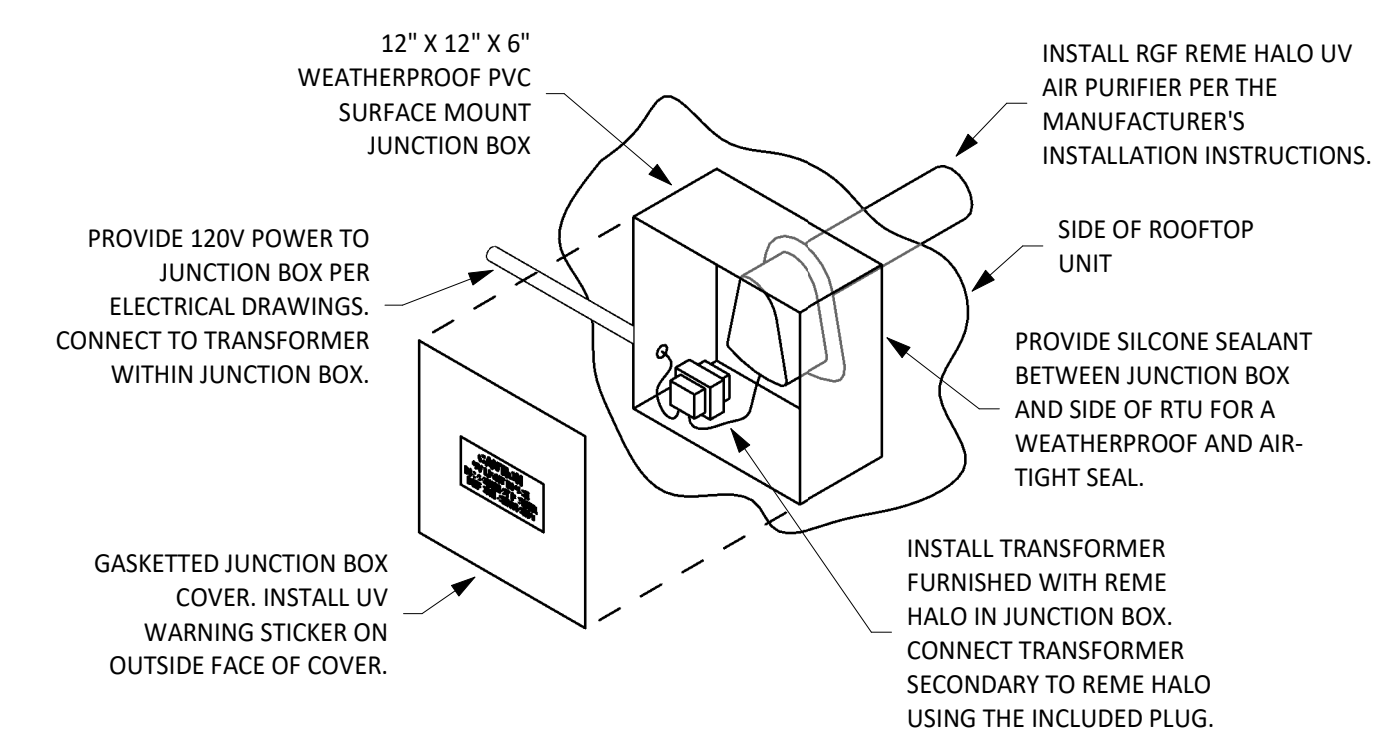
9 HOOD EXHAUST ISOMETRIC
 M700 NOT TO SCALE



8 HOOD ELEVATION
 M700 1/4" = 1'-0"

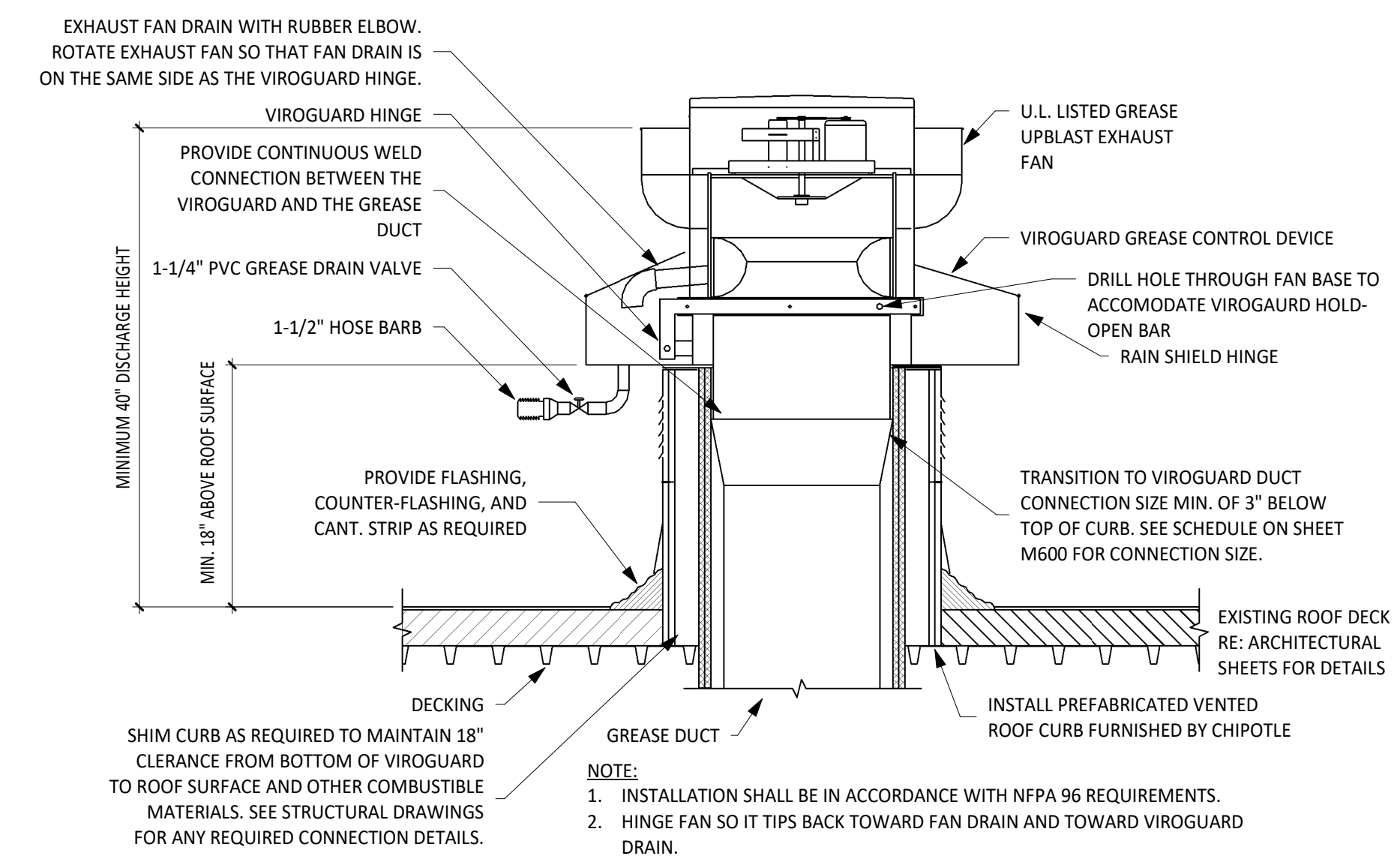


7 DUCT SECTION AT HOOD
 M700 NOT TO SCALE



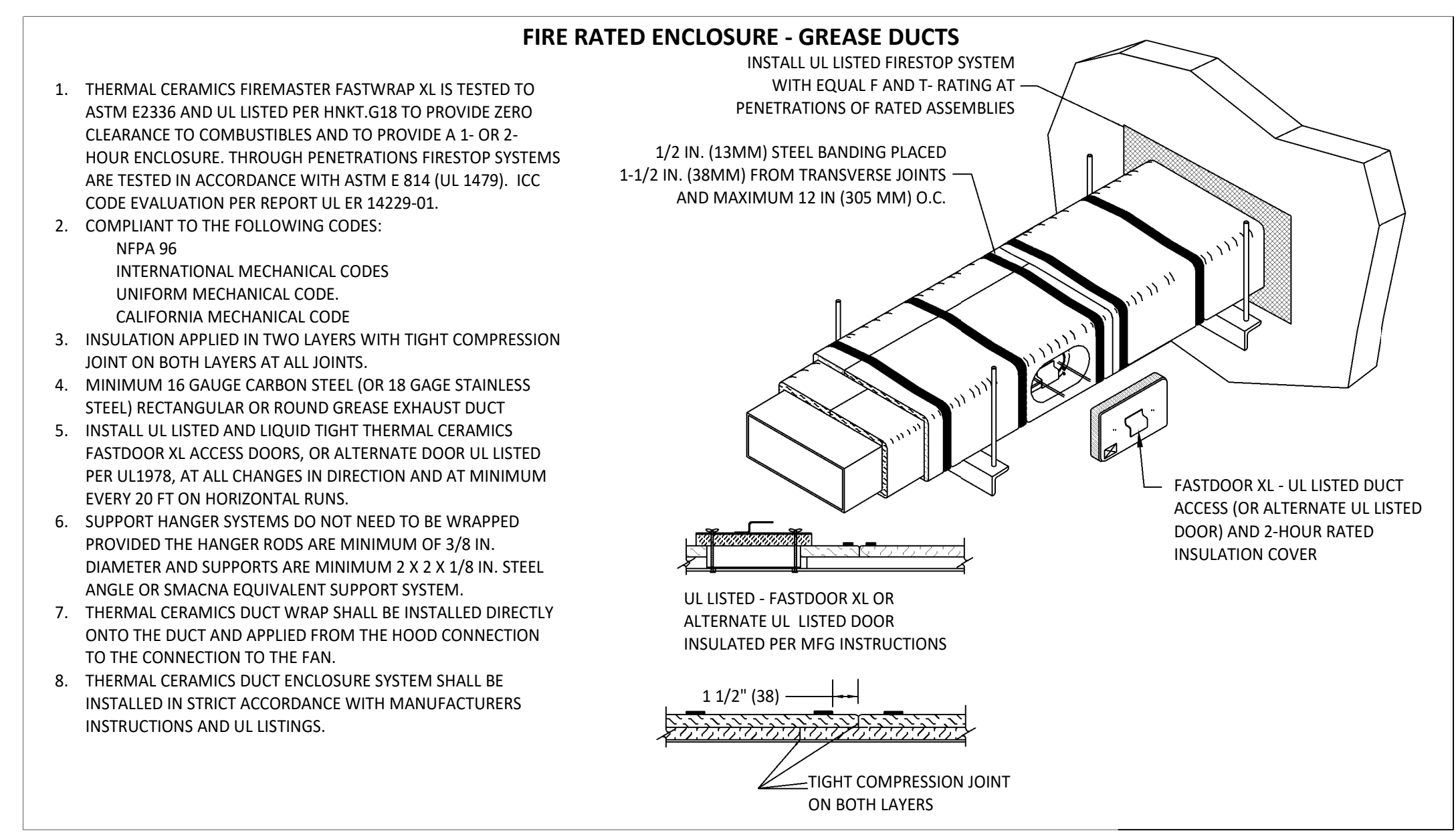
INSTALLATION LOCATION
 INSTALL AIR PURIFIER WITH JUNCTION BOX ON OUTSIDE FACE OF ROOFTOP UNIT AND WITH UV LAMP TUBE EXTENDING INTO THE INTERIOR OF THE ROOFTOP UNIT. FIELD VERIFY EXACT LOCATION TO AVOID DAMAGING, TOUCHING, OR INTERFERING WITH ANY RTU INTERIOR COMPONENTS. INSTALLATION LOCATION SHALL BE AS FOLLOWS:
TRANE: INSTALL INTO THE SUPPLY AIR STREAM THROUGH THE REMOVABLE PANEL COVERING THE HORIZONTAL DISCHARGE SUPPLY AIR OPENING.
YORK: INSTALL INTO THE SUPPLY AIR PLENUM FROM THE BACK SIDE OF THE UNIT JUST ABOVE THE HEAT EXCHANGER.

6 UV AIR PURIFIER INSTALLATION
 M700 NOT TO SCALE

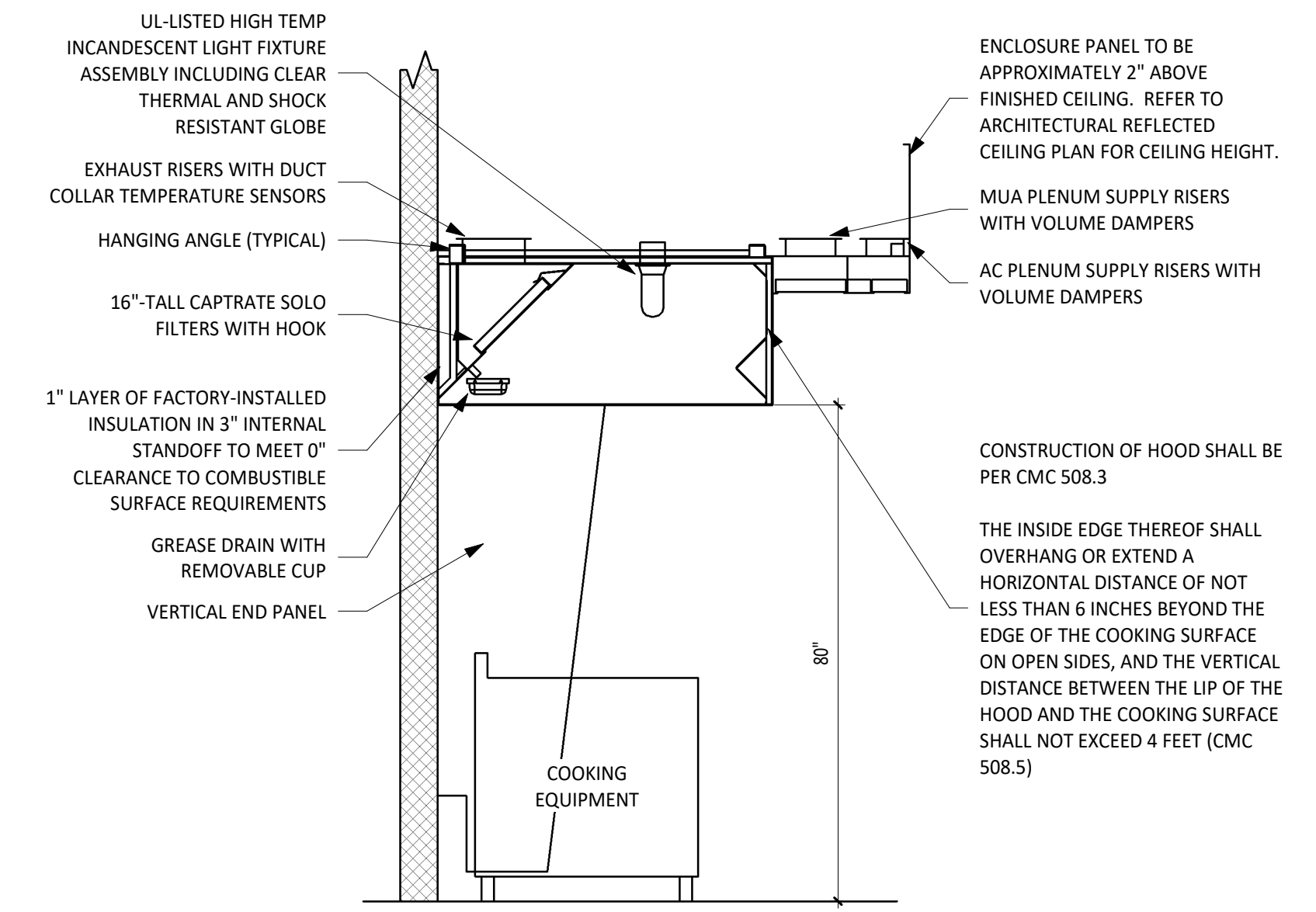


5 GREASE EXHAUST FAN
 M700 NOT TO SCALE

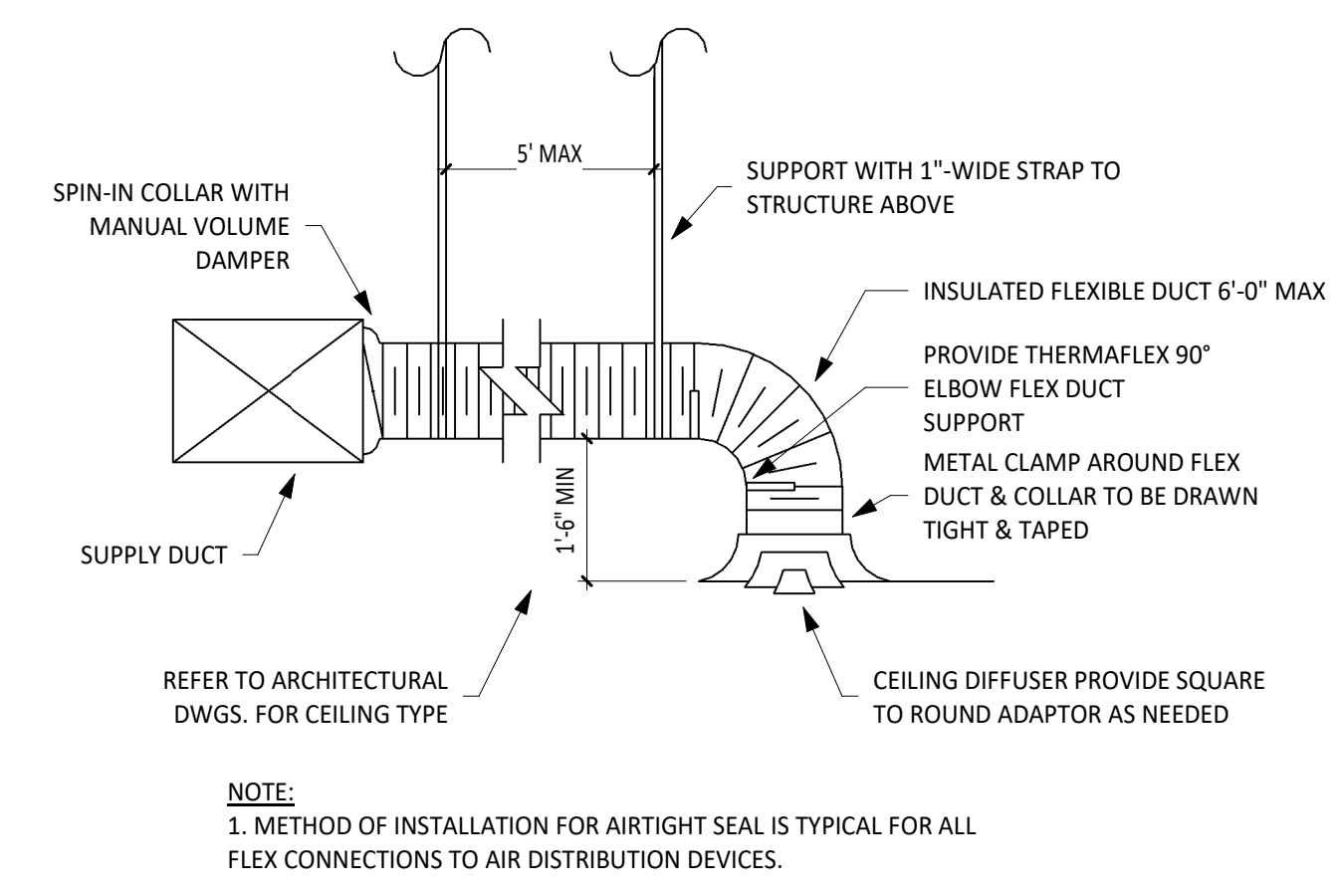
4 FIRE SUPPRESSION SYSTEM SCHEMATIC
 M700 NOT TO SCALE



3 FIREMASTER DUCT WRAP - UL HNKT-G18
 M700 NOT TO SCALE



2 HOOD SECTION VIEW
 M700 NOT TO SCALE



1 DIFFUSER CONNECTION
 M700 NOT TO SCALE